



J138WP *and* J150WP-C

Operation and Maintenance Manual



☑ 3/8" J138WP

☑ 1/2" J150WP-C

WARNING



Before operating this tool, all operators should study this manual to understand and follow the safety warnings and instructions. Keep these instructions with the tool for future reference. If you have any questions, contact your **PROTO**® representative or distributor.

3/8" Drive Impact Wrench
1/2" Drive Compact Impact Wrench

Part #30L200156

TABLE OF CONTENTS

Introduction	2
Specifications	3
Safety Instructions	4
Getting Started	5
Tool Components	6
Contact Information	8

INTRODUCTION

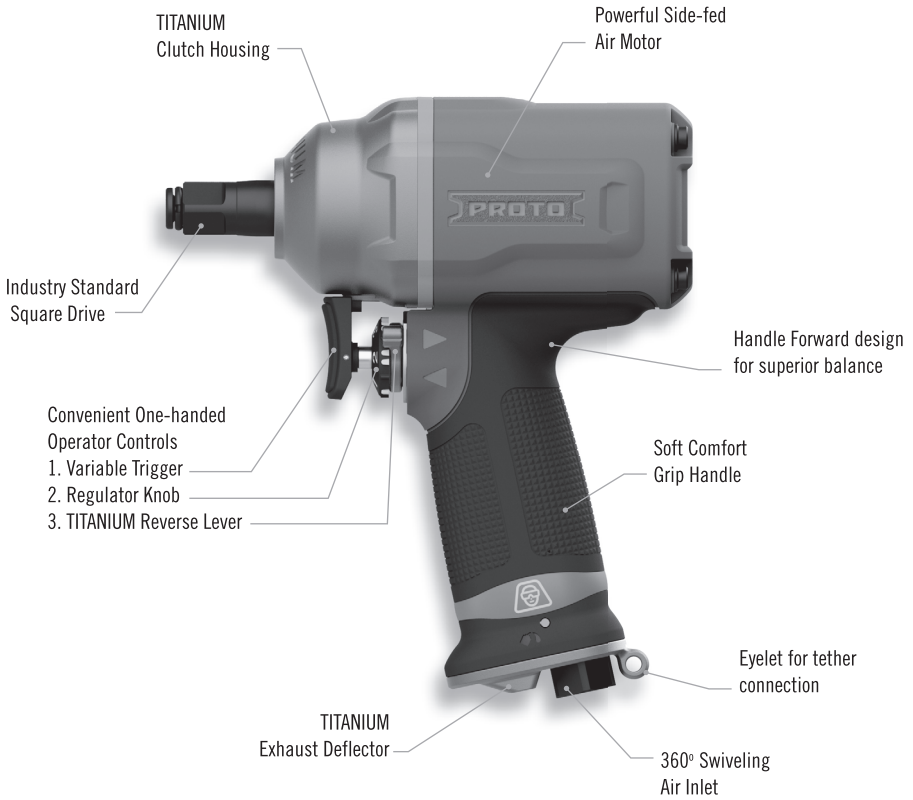
The PROTO® J138WP and J150WP-C are precision-built tools, designed for high torque assembly and disassembly of threaded fasteners. These tools will deliver efficient, dependable service when used correctly and with care. As with any fine power tool, for best performance the manufacturer's instructions must be followed. Please study this manual before operating the tool and understand the safety warnings and cautions. The instructions on installation, operation and maintenance should be read carefully, and the manuals kept for reference. **NOTE:** Additional safety measures may be required because of your particular application of the tool. Contact your PROTO® Distributor with any questions concerning the tool and its use.

PROTO INDUSTRIAL TOOLS®
2195 East View Parkway
Suite 103
Conyers, Georgia 30013
Phone: +1 800-800-TOOL
Fax: +1 770-648-9108
www.protoindustrial.com

WARRANTY

We warrant that this tool shall be free from manufacturing defects for a period of TWO YEARS from the original purchase date. Our obligation to the original purchaser shall be limited to repairing or replacing, at our expense (not including shipping charges) a defective tool if returned by the original purchaser within two years from the date of purchase, all incoming shipping charges prepaid. THIS WARRANTY DOES NOT COVER DEFECTS OR DAMAGES TO THE TOOL (i) after the warranty period expires; (ii) resulting from misuse or abnormal operation; (iii) resulting from a failure to properly lubricate, maintain or operate the tool; or (iv) resulting from any repair or maintenance services performed by any party other than PROTO® at all DeWALT Service Centers or a person authorized by PROTO® to provide repair and maintenance services for this tool.

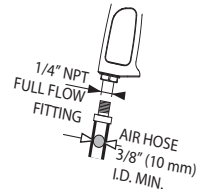
SPECIFICATIONS



SPECIFICATIONS

Model #	Square Drive in	Blow Rate bpm	Breakaway Torque ft-lbs / Nm	Noise Level						Vibration Level	
				Pressure dB(A)		Power dB(A)		Pressure dB(C)		m/s ²	
J138WP	3/8	1750	525 / 710	93.8	1.5*	104.8	1.5*	< 130	1.5*	3.06	0.79**
J150WP-C	1/2	1750	590 / 800	93.8	1.5*	104.8	1.5*	< 130	1.5*	3.06	0.79**

Model #	Free Speed rpm	Average Air Consumption cfm / l/min	Working Pressure psi / bar	Weight lbs / kg	Dimensions	
					in / mm	
J138WP	10500	4.4 / 125	90 / 6.2	2.9 / 1.3	5.9 x 2.6 x 7.1 / 152 x 67 x 181	
J150WP-C	10500	4.4 / 125	90 / 6.2	3.0 / 1.4	6.2 x 2.6 x 7.1 / 157 x 67 x 181	



* = measurement uncertainty in dB(A)

** = measurement uncertainty in m/s²

Use Hi-Flow air plugs and couplers for maximum tool performance



WARNING

IMPORTANT SAFETY INFORMATION ENCLOSED.
READ THIS MANUAL BEFORE OPERATING THE MACHINE.

FAILURE TO OBSERVE THE FOLLOWING WARNINGS COULD RESULT IN INJURY.



Do not use damaged, frayed or deteriorated air hoses and fittings.



Always wear hearing protection when operating this tool.



Air powered tools can vibrate in use. Vibration, repetitive motions or uncomfortable positions may be harmful to your hands and arms. Stop using any tool if discomfort, tingling feeling or pain occurs. Seek medical advice before resuming use.



Always turn off the air supply and disconnect the air supply hose before installing, removing or adjusting any accessory on this tool, or before performing any maintenance on this tool.



Do not carry the tool by the hose.



Always wear eye protection when operating or performing maintenance on this tool.



Keep body stance balanced and firm. Do not over-reach when operating this tool.



Operate at 90 psig (6.2 bar / 620 kPa) Maximum air pressure.

SAFE OPERATION

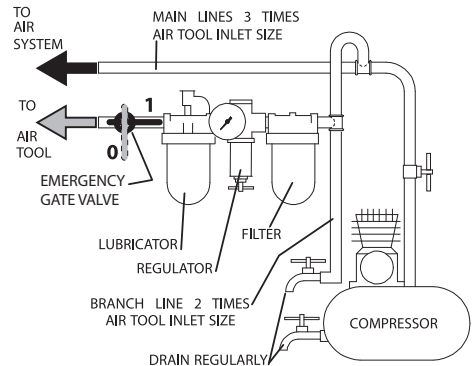
- ▶ Always wear eye protection when operating or performing maintenance on this tool.
- ▶ Always wear hearing protection when operating this tool.
- ▶ Keep hands, loose clothing and long hair away from rotating end of tool.
- ▶ Anticipate and be alert for sudden changes in motion during start up and operation of any power tool.
- ▶ Keep body stance balanced and firm. Do not overreach when operating this tool.
- ▶ Air powered tools can vibrate in use. Vibration, repetitive motions or uncomfortable positions may be harmful to your hands and arms. Stop using any tool if discomfort, tingling feeling or pain occurs. Seek medical advice before resuming use.
- ▶ Use impact rated accessories recommended by PROTO®.
- ▶ This tool is not designed for working in explosive atmospheres.
- ▶ This tool is not insulated against electric shock.
- ▶ Always turn off the air supply and disconnect the air supply hose before installing, removing or adjusting any accessory on this tool, or before performing any maintenance on this tool.

PLACING TOOL IN SERVICE

LUBRICATION



Always use an air line lubricator with this tool. After every eight hours of operation, if a lubricator is not used on the compressed air network, inject 1/2 to 1cm³ of approved air tool oil through the machine's inlet connection.



GETTING STARTED

- ▶ Always operate, inspect and maintain this tool in accordance with all regulations (local, state, federal and country) that may apply to hand-held / hand-operated pneumatic tools.
- ▶ For maximum performance, the air coupler on the wall should be the next size larger than the air coupler used on the tool. The coupler closest to the tool should not be smaller than the proper air supply hose size.
- ▶ For safety, top performance, and maximum durability of parts, operate this tool at 90 psig (6.2 bar / 620 kPa) maximum air pressure at the inlet with 3/8" (10mm) inside diameter air supply hose. Adequate air supply volume is required for full power. Restrictions in the supply and volume will cause a drop in air pressure when the trigger is pulled resulting in lower power.
- ▶ Always turn off the air supply and disconnect the air supply hose before installing, removing or adjusting any accessory on this tool, or before performing any maintenance on this tool.
- ▶ Do not use damaged, frayed or deteriorated air hoses and fittings.
- ▶ Be sure all hoses and fittings are the correct size and are tightly secured.
- ▶ Always use clean, dry air at 90 psig maximum air pressure. Dust, corrosive fumes and/or excessive moisture can ruin the motor of an air tool.
- ▶ Inject the tool every 100-200 cycles with 1-3 grams of grease. Applications vary and grease may need to be applied more in colder climates/conditions and less in hotter climates/conditions. The grease that should be used should be Petroleum or Synthetic, NLGI Grade 2, -4/230° F(-20/110° C). The tool has a 1/8" Flush type grease fitting. If lower performance is observed immediately after adding grease, service is needed to remove the build-up within the clutch housing.
- ▶ Do not lubricate tools with flammable or volatile liquids such as kerosene, diesel or jet fuel.
- ▶ Do not remove any labels. Replace any damaged label.
- ▶ The use of a hose whip is recommended. A coupler connected directly to the air inlet increases tool bulk and decreases tool maneuverability.
- ▶ The regulator has 3 power positions represented by dots on the dial. Position 1 is the lowest and 3 is full power. To set the tool power with the regulator, turn the dial until the power setting represented by 1, 2 or 3 dots is under the lever in the forward position as shown in Figure A. To assure maximum power in reverse, place the power setting in power setting 3. The triangle arrows on the handle represent forward and reverse.
- ▶ The Forward / Reverse Lever must be fully engaged in either the forward or reverse position to ensure the tool works with maximum performance. If the Forward / Reverse Lever is positioned in the middle (see example below, bottom left picture) between forward and reverse, the tool will not be as efficient and powerful.
- ▶ Use Hi-Flow air plugs and couplers for maximum tool performance

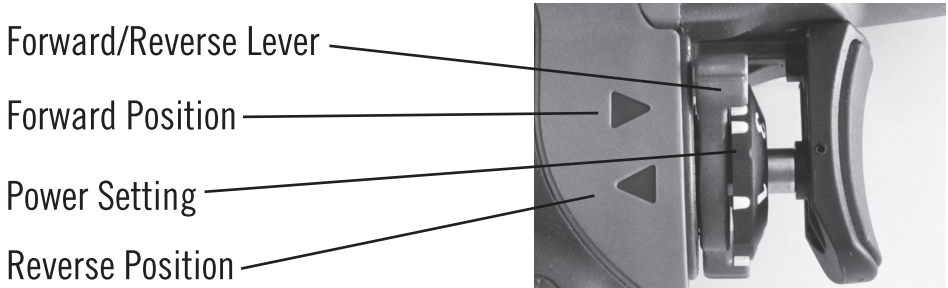


Figure A

Not Engaged - No Power

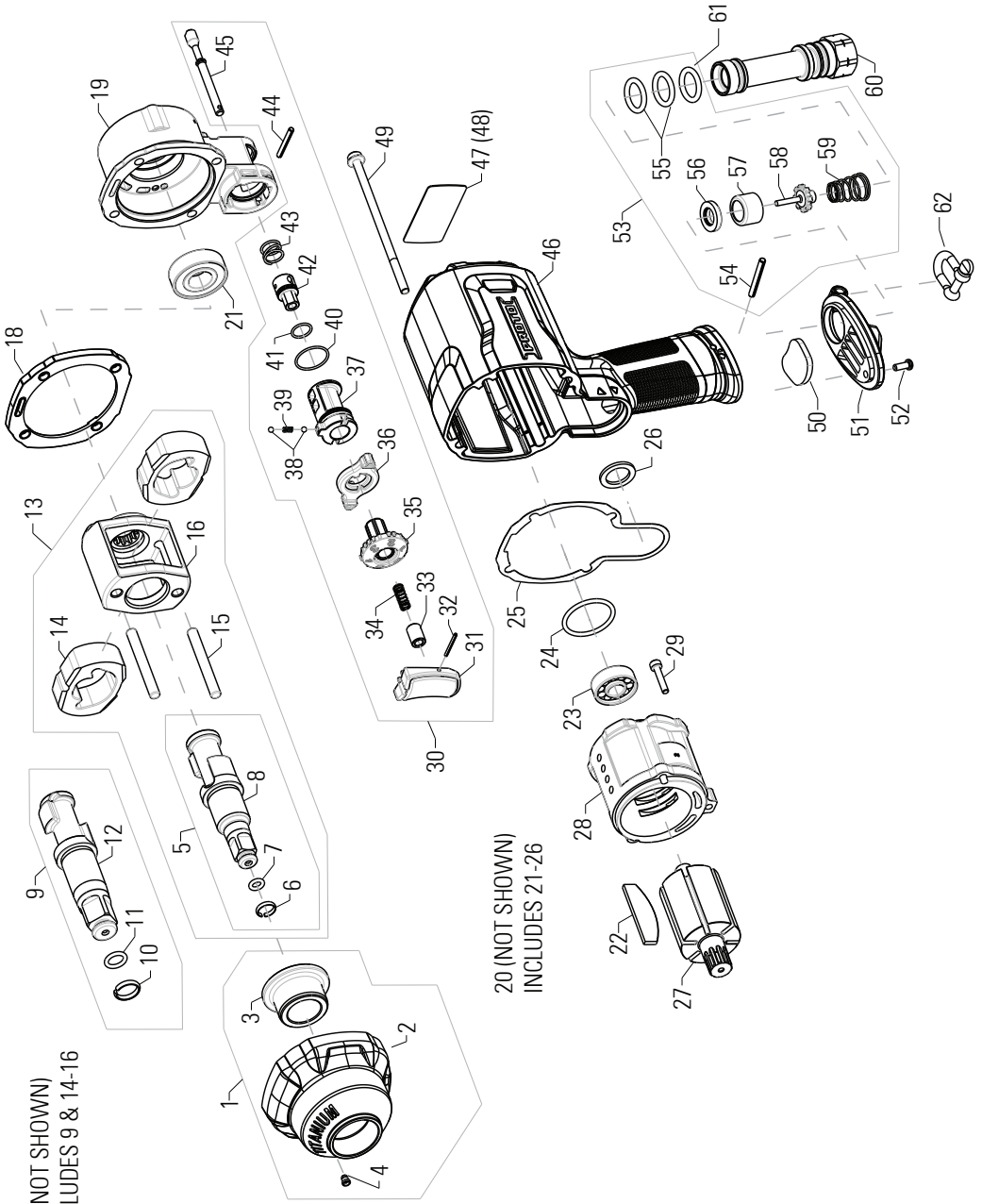
Power Setting - 1 (Low)

Power Setting 2

Power Setting 3 (Max)



17 (NOT SHOWN)
INCLUDES 9 & 14-16



20 (NOT SHOWN)
INCLUDES 21-26

All parts available through www.servicenet.protoindustrial.com

ITEM #	PART #	DESCRIPTION	QTY
	J138WP	3/8" Impact Wrench	
	J150WP-C	1/2" (Compact) Impact	
1	30H100051	HAMMER CASE ASSEMBLY	
2	30H200421	HAMMER CASE (CLUTCH HOUSING)	1
3	30R200029	BUSHING	1
4	30R200017	GREASE FITTING	1
5	30D100020	ANVIL- ASSEMBLY-3/8" STD	
8	30D200019	ANVIL - 3/8" STD (TapertLOK)	1
6	30R200028	RETAINER RING - SOCKET	1
7	30R200027	O-RING	1
9	30D100021	ANVIL- ASSEMBLY-1/2" COMPACT	
12	30D200020	ANVIL - 1/2" STD (TapertLOK)	1
10	30R200015	RETAINER RING - SOCKET	1
11	30R200014	O-RING	1
13	30D100024	IMPACT ASSEMBLY- 3/8" STANDARD	
14	30D200022	HAMMER	2
5	30D100020	ANVIL ASSEMBLY- 3/8" STD	1
16	30D200021	FRAME (CAGE)- HAMMER	1
15	30D200023	PIN - HAMMER	2
17	30D100023	IMPACT ASSEMBLY- 1/2" COMPACT	
14	30D200022	HAMMER	2
9	30D100021	ANVIL ASSEMBLY- 1/2" COMPACT	1
16	30D200021	FRAME (CAGE)- HAMMER	1
15	30D200023	PIN - HAMMER	2
31	30P100007	TRIGGER	
	30Y200375	TRIGGER- A-PAD	1
	30Y200374	TRIGGER- B-BASE	1
30	30P100009	THROTTLE ASSEMBLY	
31	30P100007	TRIGGER (BUTTON)	1
32	30R200003	ROLL (SPRING) PIN-TRIGGER	1
33	30Y200864	BUSHING- TRIGGER-TIP VALVE	1
34	30R200022	SPRING-TRIGGER-TIP VALVE	1
35	30P100006	REGULATOR-KNOB	1
36	30Y200830	LEVER-REVERSE	1
37	30Y200376	REVERSE VALVE	1
38	30R200020	BALL-DETENT	2
39	30R200002	SPRING-DETENT	1
40	30R200006	O-RING- VALVE-F/R	1
41	30R200005	O-RING-REGULATOR	1
42	30Y200371	REGULATOR VALVE	1
43	30R200004	SPRING-REGULATOR	1
44	30R200021	ROLL (SPRING) PIN	1
45	30Y200866	TRIGGER PIN-TIP VALVE	1
46	30H100045	HOUSING w/Grip ASSEMBLY-PROTO	
	30H200413	HOUSING/MOTOR HANDLE	1
	30H200414	HANDLE GRIP-A-TOP	1
	30H200414-01	HANDLE GRIP-B-BASE	1
20	30M100110	MOTOR TUNE UP KIT	
22	30M200011	BLADE-MOTOR	6
21	30R200026	BEARING-FRONT MOTOR	1
23	30R200025	BEARING-REAR MOTOR	1
25	30G200107	GASKET (PACKING)- MOTOR	1
26	30G200114	GASKET (PACKING)- THROTTLE	1
24	30R200030	O-RING	1
53	30P100020-01	INLET PARTS KIT	
55	30R200018	O-RING- AIR INLET	2
54	30R200009	ROLL (SPRING) PIN	1
56	30Y200861	SEAL-TIP VALVE	1
57	30Y200862	BUSHING-TIP VALVE	1
58	30Y200863	TIP VALVE	1
59	30R200023	SPRING-TIP VALVE	1
61	30R200320	O-RING	1
18	30H200424	GASKET (PACKING)- HAMMER CASE	1
19	30M100012	FRONT BEARING PLATE-MOTOR	1
27	30M200009	ROTOR-MOTOR	1
28	30M200014	CYLINDER-MOTOR	1
29	30R200031	HEX.SOC.HD.BOLT	3
49	30R200024	HEX.SOC.HD.BOLT	4
50	30Y200379	MUFFLER	1
51	30H200419	EXHAUST DEFLECTOR	1
52	30R200008	SCREW- SELF TAP	1
60	30Y200360-01	AIR INLET	1
62	30R200312	SHACKLE	1
47	30L200090	LABEL-REAR- 3/8"	1
48	30L200091	LABEL-REAR- 1/2"- COMPACT	1

J138WP and J150WP-C

Operation and Maintenance Manual

TETHERING THE TOOL



Use **ONLY** the following load rated Connector for tool suspension: Steel Wire, Stainless 316, Max. Load Capacity 800 lb., Eye Inside Dia. 1/2 in., Overall Length 1 15/16 in., Opening 1/4 in., Stock Thickness 3/16 in. Type : Load Rated



Do **NOT** use the following type or any other type: serious injury could occur.



Check threaded stud periodically.

Thread-locker recommended.

If tool is dropped, replace all tether parts.

CUSTOMER SERVICE

We at PROTO® are committed to our customers, please reference the following phone number for a direct contact to one of our customer technicians. They will be more than happy to help with any service or warranty questions you may have about your power tool.

PROTO INDUSTRIAL TOOLS®
2195 East View Parkway
Suite 103
Conyers, Georgia 30013
Phone: +1 800-800-TOOL
Fax: +1 770-648-9108
www.protoindustrial.com

CE DECLARATION OF CONFORMITY

WE, PROTO INDUSTRIAL TOOLS®, 2195 EAST VIEW PARKWAY, SUITE 103, CONYERS, GEORGIA 30013, DECLARE UNDER OUR SOLE RESPONSIBILITY THAT THE PRODUCT **J138WP - PROTO 3/8" AIR IMPACT WRENCH** AND **J150WP-C - PROTO 1/2" COMPACT AIR IMPACT WRENCH**

- CONFORMS WITH THE DIRECTIVE AND STANDARDS «MACHINERY» DIRECTIVE 2006/42/CE
- AND IS IN CONFORMITY WITH THE PROVISIONS OF THE HARMONISED EUROPEAN STANDARD

EN ISO 12100:10
EN ISO 11148-6:10
EN ISO 15744:08
EN ISO 15744:2008
EN ISO 28927-2:09



Eric Min
QUALITY MANAGER
04.11.2013