

# PORTER CABLE®

LAMINATE TRIMMER

DÉTOUREUSE À STRATIFIÉS

DESBASTADOR LAMINAR

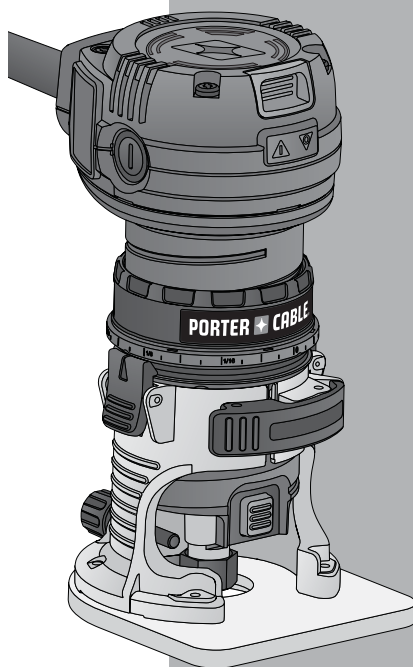
Instruction manual  
Manuel d'instructions  
Manual de instrucciones

Français : Page 15  
Español: Página 29

[www.portercable.com](http://www.portercable.com)

INSTRUCTIVO DE OPERACIÓN, CENTROS  
DE SERVICIO Y PÓLIZA DE GARANTÍA.

**▲ ADVERTENCIA:** LÉASE ESTE INSTRUCTIVO  
ANTES DE USAR EL PRODUCTO.



**PCE6430**  
**PCE6435**

## TABLE OF CONTENTS

SAFETY GUIDELINES- DEFINITIONS .....	2
GENERAL POWER TOOL SAFETY WARNINGS .....	2
ADDITIONAL SPECIFIC SAFETY RULES.....	4
COMPONENTS .....	7
OPERATION .....	6
MAINTENANCE .....	12
SERVICE .....	13
ACCESSORIES .....	13
WARRANTY .....	13
FRANÇAIS .....	15
ESPAÑOL .....	29

## SAFETY GUIDELINES - DEFINITIONS

**⚠ DANGER** indicates an imminently hazardous situation which, if not avoided, **will** result in **death or serious injury**.

**⚠ WARNING** indicates a potentially hazardous situation which, if not avoided, **could** result in **death or serious injury**.

**⚠ CAUTION** indicates a potentially hazardous situation which, if not avoided, **may** result in **minor or moderate injury**.

**NOTICE:** used without the safety alert symbol indicates potentially hazardous situation which, if not avoided, **may** result in **property damage**.



**⚠ WARNING** To reduce the risk of injury, read the instruction manual.

## GENERAL POWER TOOL SAFETY WARNINGS

**⚠ WARNING** **Read all safety warnings and all instructions** Failure to follow the warnings and instructions may result in electric shock, fire and/or serious injury.

### SAVE ALL WARNINGS AND INSTRUCTIONS FOR FUTURE REFERENCE

The term “power tool” in the warnings refers to your mains-operated (corded) power tool or battery-operated (cordless) power tool.

#### 1) WORK AREA SAFETY

- Keep work area clean and well lit.** Cluttered or dark areas invite accidents.
- Do not operate power tools in explosive atmospheres, such as in the presence of flammable liquids, gases or dust.** Power tools create sparks which may ignite the dust or fumes.
- Keep children and bystanders away while operating a power tool.** Distractions can cause you to lose control.

#### 2) ELECTRICAL SAFETY

- Power tool plugs must match the outlet. Never modify the plug in any way. Do not use any adapter plugs with earthed (grounded) power tools.** Unmodified plugs and matching outlets will reduce risk of electric shock.

- b) **Avoid body contact with earthed or grounded surfaces such as pipes, radiators, ranges and refrigerators.** There is an increased risk of electric shock if your body is earthed or grounded.
- c) **Do not expose power tools to rain or wet conditions.** Water entering a power tool will increase the risk of electric shock.
- d) **Do not abuse the cord. Never use the cord for carrying, pulling or unplugging the power tool. Keep cord away from heat, oil, sharp edges or moving parts.** Damaged or entangled cords increase the risk of electric shock.
- e) **When operating a power tool outdoors, use an extension cord suitable for outdoor use.** Use of a cord suitable for outdoor use reduces the risk of electric shock.
- f) **If operating a power tool in a damp location is unavoidable, use a ground fault circuit interrupter (GFCI) protected supply.** Use of a GFCI reduces the risk of electric shock.

### 3) PERSONAL SAFETY

- a) **Stay alert, watch what you are doing and use common sense when operating a power tool. Do not use a power tool while you are tired or under the influence of drugs, alcohol or medication.** A moment of inattention while operating power tools may result in serious personal injury.
- b) **Use personal protective equipment. Always wear eye protection.** Protective equipment such as dust mask, non-skid safety shoes, hard hat, or hearing protection used for appropriate conditions will reduce personal injuries.
- c) **Prevent unintentional starting. Ensure the switch is in the off position before connecting to power source and/or battery pack, picking up or carrying the tool.** Carrying power tools with your finger on the switch or energizing power tools that have the switch on invites accidents.
- d) **Remove any adjusting key or wrench before turning the power tool on.** A wrench or a key left attached to a rotating part of the power tool may result in personal injury.
- e) **Do not overreach. Keep proper footing and balance at all times.** This enables better control of the power tool in unexpected situations.
- f) **Dress properly. Do not wear loose clothing or jewelry. Keep your hair, clothing and gloves away from moving parts.** Loose clothes, jewelry or long hair can be caught in moving parts.
- g) **If devices are provided for the connection of dust extraction and collection facilities, ensure these are connected and properly used.** Use of dust collection can reduce dust-related hazards.

### 4) POWER TOOL USE AND CARE

- a) **Do not force the power tool. Use the correct power tool for your application.** The correct power tool will do the job better and safer at the rate for which it was designed.
- b) **Do not use the power tool if the switch does not turn it on and off.** Any power tool that cannot be controlled with the switch is dangerous and must be repaired.
- c) **Disconnect the plug from the power source and/or the battery pack from the power tool before making any adjustments, changing accessories, or storing power tools.** Such preventive safety measures reduce the risk of starting the power tool accidentally.
- d) **Store idle power tools out of the reach of children and do not allow persons unfamiliar with the power tool or these instructions to operate the power tool.** Power tools are dangerous in the hands of untrained users.

- e) **Maintain power tools. Check for misalignment or binding of moving parts, breakage of parts and any other condition that may affect the power tool's operation. If damaged, have the power tool repaired before use.** Many accidents are caused by poorly maintained power tools.
- f) **Keep cutting tools sharp and clean.** Properly maintained cutting tools with sharp cutting edges are less likely to bind and are easier to control.
- g) **Use the power tool, accessories and tool bits, etc. in accordance with these instructions, taking into account the working conditions and the work to be performed.** Use of the power tool for operations different from those intended could result in a hazardous situation.

## 5) SERVICE

- a) **Have your power tool serviced by a qualified repair person using only identical replacement parts.** This will ensure that the safety of the power tool is maintained.

## ADDITIONAL SPECIFIC SAFETY RULES

### ADDITIONAL SAFETY RULES FOR LAMINATE TRIMMER

- **Hold power tool by insulated gripping surfaces, because the cutter may contact its own cord.** Cutting a “live” wire may make exposed metal parts of the power tool “live” and shock the operator.
- **Use clamps or another practical way to secure and support the workpiece to a stable platform.** Holding the work by hand or against your body leaves it unstable and may lead to loss of control.
- **Always follow the bit manufacturer's speed recommendations as some bit designs require specific speeds for safety or performance.** If you are unsure of the proper speed or are experiencing any type of problem, contact the bit manufacturer.
- **DO NOT CUT METAL.**
- **Keep handles and gripping surfaces dry, clean, and free from oil and grease.** This will enable better control of the tool.
- **Maintain firm grip with both hands on laminate trimmer to resist starting torque.**
- **Keep hands away from cutting area. Never reach under the workpiece for any reason.** Keep the laminate trimmer base firmly in contact with the workpiece when cutting. These precautions will reduce the risk of personal injury.
- **Never run the motor unit when it is not inserted into the base.** The motor is not designed to be handheld.
- **Keep cutting pressure constant.** Do not overload motor.
- **Check to see that the cord will not snag or impede the trimming operation.**
- **Use sharp bits.** Dull bits may cause the laminate trimmer to swerve or stall under pressure.
- **Be sure that the bit is clear of the workpiece before starting the motor.** If the bit is in contact with the workpiece when the motor starts, it could make the laminate trimmer jump, causing damage or injury.
- **ALWAYS disconnect tool from power source before making adjustments or changing bits.**
- **Keep hands clear of bit when motor is running to prevent personal injury.**
- **NEVER touch the bit immediately after use.** It may be extremely hot.
- **Provide clearance under workpiece for bit when through-cutting.**
- **Tighten collet nut securely with provided wrench (17 mm) to prevent the bit from slipping.**
- **Never tighten collet nut without a bit.**

- **Not recommended for use in a router table.**
- **Avoid climb-cutting (cutting in direction opposite than shown in Figure 7). Climb-cutting increases the chance for loss of control resulting in possible injury.** When climb-cutting is required (backing around a corner), exercise extreme caution to maintain control of trimmer. Make smaller cuts and remove minimal material with each pass.
- **Be sure that the motor has stopped completely before you lay the laminate trimmer down.** If the bit head is still spinning when the tool is laid down, it could cause injury or damage.
- **Do not press spindle lock button while the motor is running.** Doing so can damage the spindle lock.
- **Do not use AC only rated tools with a DC power supply.** While the tool may appear to work, the electrical components of the AC rated tool are likely to fail and create a hazard to the operator.
- **If cutting into existing walls or other blind areas where electrical wires may exist is unavoidable, disconnect all fuses or circuit breakers feeding this worksite.**
- **Always make sure the work surface is free from nails and other foreign objects.** Cutting into a nail can cause the bit and the tool to jump and damage the bit.
- **Never lay workpiece on top of hard surfaces like concrete, stone etc...** Protruding cutting bit may cause tool to jump.
- **Do not leave tool running. Operate tool only when hand-held.**
- **Air vents often cover moving parts and should be avoided.** Loose clothes, jewelry or long hair can be caught in moving parts.
- **An extension cord must have adequate wire size (AWG or American Wire Gauge) for safety.** The smaller the gauge number of the wire, the greater the capacity of the cable, that is 16 gauge has more capacity than 18 gauge. An undersized cord will cause a drop in line voltage resulting in loss of power and overheating. When using more than one extension to make up the total length, be sure each individual extension contains at least the minimum wire size. The following table shows the correct size to use depending on cord length and nameplate ampere rating. If in doubt, use the next heavier gauge. The smaller the gauge number, the heavier the cord.

Minimum Gauge for Cord Sets						
Ampere Rating		Volts	Total Length of Cord in Feet (meters)			
		120V	25 (7.6)	50 (15.2)	100 (30.5)	150 (45.7)
		240V	50 (15.2)	100 (30.5)	200 (61.0)	300 (91.4)
More Than	Not More Than	AWG				
0	<b>6</b>		18	16	16	14
6	<b>10</b>		18	16	14	12
10	<b>12</b>		16	16	14	12
12	<b>16</b>		14	12	Not Recommended	

**⚠ WARNING** ALWAYS use safety glasses. Everyday eyeglasses are NOT safety glasses. Also use face or dust mask if cutting operation is dusty. ALWAYS WEAR CERTIFIED SAFETY EQUIPMENT:

- ANSI Z87.1 eye protection (CAN/CSA Z94.3),
- ANSI S12.6 (S3.19) hearing protection,

- NIOSH/OSHA/MSHA respiratory protection.

**⚠ WARNING** Some dust created by power sanding, sawing, grinding, drilling, and other construction activities contains chemicals known to the State of California to cause cancer, birth defects or other reproductive harm. Some examples of these chemicals are:

- lead from lead-based paints,
- crystalline silica from bricks and cement and other masonry products, and
- arsenic and chromium from chemically-treated lumber.

Your risk from these exposures varies, depending on how often you do this type of work. To reduce your exposure to these chemicals: work in a well ventilated area, and work with approved safety equipment, such as those dust masks that are specially designed to filter out microscopic particles.

- **Avoid prolonged contact with dust from power sanding, sawing, grinding, drilling, and other construction activities. Wear protective clothing and wash exposed areas with soap and water.** Allowing dust to get into your mouth, eyes, or lay on the skin may promote absorption of harmful chemicals.

**⚠ WARNING** Use of this tool can generate and/or disperse dust, which may cause serious and permanent respiratory or other injury. Always use NIOSH/OSHA approved respiratory protection appropriate for the dust exposure. Direct particles away from face and body.

**⚠ WARNING** Always wear proper personal hearing protection that conforms to ANSI S12.6 (S3.19) during use. Under some conditions and duration of use, noise from this product may contribute to hearing loss.

- The label on your tool may include the following symbols. The symbols and their definitions are as follows:

V.....volts	A.....amperes
Hz.....hertz	W.....watts
min .....minutes	~ or AC.....alternating current
== or DC...direct current	≈ or AC/DC...alternating or direct current
Ⓢ.....Class I Construction (grounded)	no .....no load speed
□.....Class II Construction (double insulated)	n .....rated speed
.../min .....per minute	Ⓧ.....earthing terminal
BPM .....beats per minute	⚠.....safety alert symbol
IPM.....impacts per minute	
RPM .....revolutions per minute	
sfpm .....surface feet per minute	

## SAVE THESE INSTRUCTIONS

### MOTOR

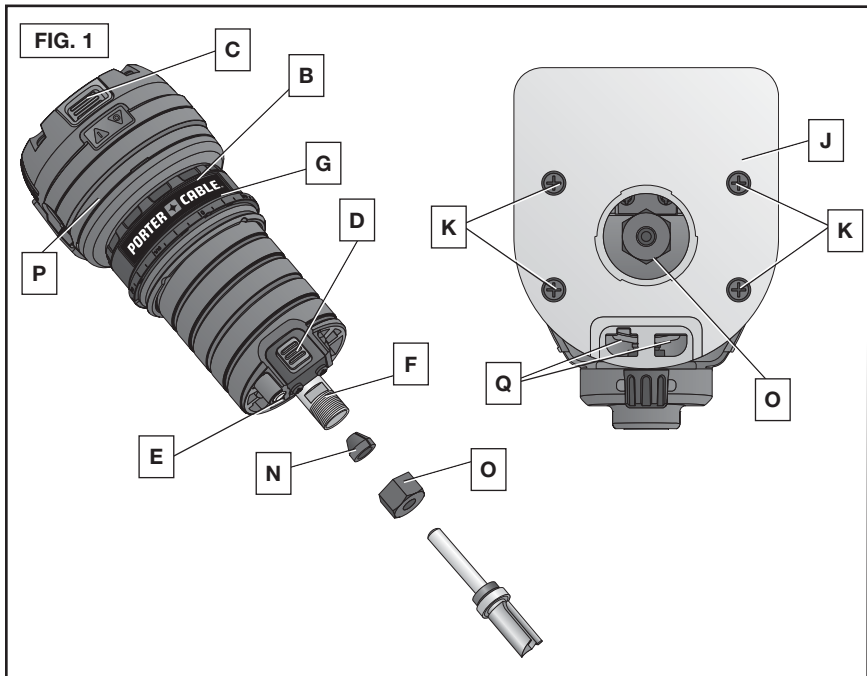
Be sure your power supply agrees with the nameplate marking. Voltage decrease of more than 10% will cause loss of power and overheating. PORTER-CABLE tools are factory tested; if this tool does not operate, check power supply.

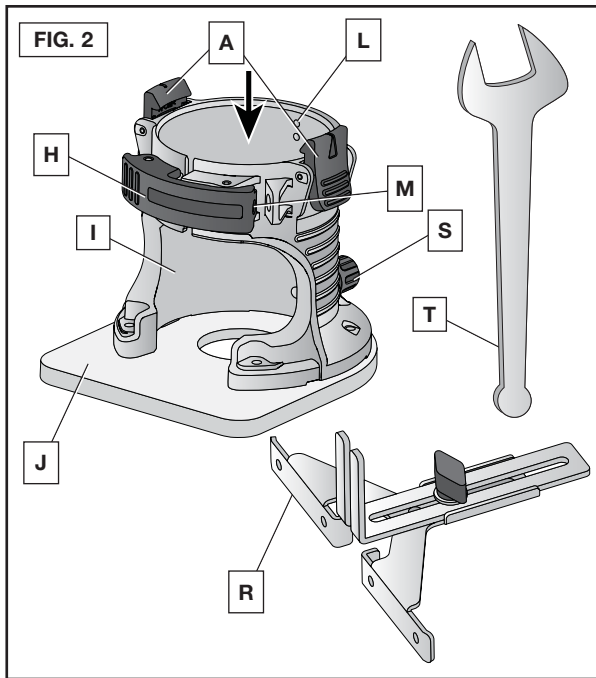
**NOTICE:** Do not operate your tool on a current on which the voltage is not within correct limits. Do not operate tools rated A.C. only on D.C. current. To do so may seriously damage the tool.

## COMPONENTS (FIG. 1, 2)

**⚠ WARNING** Never modify the power tool or any part of it. Damage or personal injury could result.

- |                           |                                   |
|---------------------------|-----------------------------------|
| A. Quick release tabs     | K. Sub-base screws                |
| B. Depth adjustment ring  | L. Guide pins                     |
| C. On/off switch          | M. Locking lever adjustment screw |
| D. Spindle lock button    | N. Collet                         |
| E. LED light              | O. Collet nut                     |
| F. Spindle                | P. Motor unit                     |
| G. Micro adjustment scale | Q. Roller bearing/edge guide slot |
| H. Locking lever          | R. Edge guide                     |
| I. Base                   | S. Guide screw                    |
| J. Subbase                | T. Spindle wrench                 |





### INTENDED USE

This laminate trimmer is designed for professional flush and bevel trimming of laminated plastics and other similar materials that have a bonding agent too hard to be trimmed with ordinary tools.

**DO NOT** use under wet conditions or in presence of flammable liquids or gases.

This laminate trimmer is a professional power tool. **DO NOT** let children come into contact with the tool. Supervision is required when inexperienced operators use this tool.

## OPERATION

**⚠ WARNING** To reduce the risk of injury, turn unit off and disconnect it from power source before installing and removing accessories, before adjusting or when making repairs. An accidental start-up can cause injury.

### PROPER HAND POSITION (FIG. 6)

**⚠ WARNING** To reduce the risk of serious personal injury, **ALWAYS** use proper hand position as shown.

**⚠ WARNING** To reduce the risk of serious personal injury, **ALWAYS** hold securely in anticipation of a sudden reaction.

Proper hand position requires one hand on the motor base with the other hand on the motor cap.

### INSERTING THE MOTOR INTO THE FIXED BASE (FIG. 1-3)

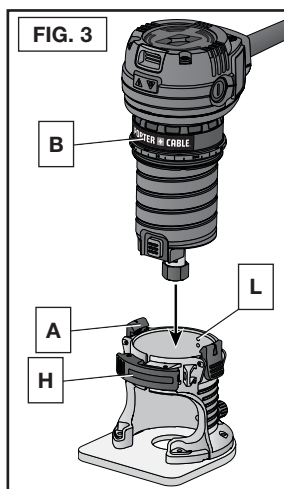
1. Open the locking lever (H) on the base.



2. If the depth adjustment ring (B) is not on the motor, thread the depth adjustment ring (B) onto the motor until the ring is positioned as shown. Insert the motor into the base by aligning the groove in the back of the motor with the guide pins (L) on the base. Slide the motor down until the depth adjustment ring (B) snaps into place.
3. Adjust the depth of cut by turning the depth adjustment ring (B). Refer to **Adjusting the Depth of Cut**.
4. Close the locking lever (H) when the desired depth is achieved. For information on setting the cutting depth, Refer to **Adjusting the Depth of Cut**.

### MOTOR QUICK RELEASE (FIG. 3)

1. Open the locking lever (H) on the base.
2. Grasp the base with one hand, depressing both quick release tabs (A).
3. With the other hand, grasp and pull motor from the base.



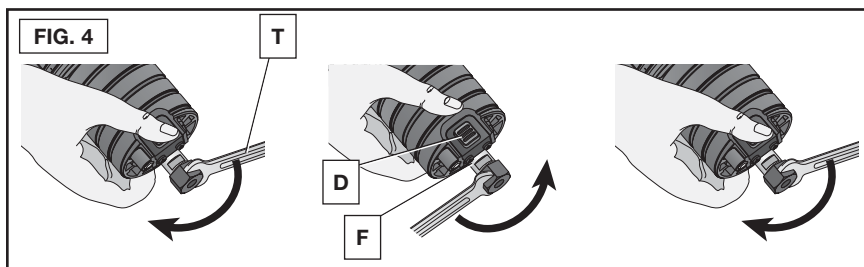
### BIT INSTALLATION AND REMOVAL (FIG. 4)

#### SELECTING THE BIT

**▲ WARNING** Projectile hazard. Only use bits with 1/4" (6.4 mm) shanks. Smaller shank bits will not be secure and could become loose during operation.

These laminate trimmers are equipped with a 1/4" (6.4 mm) diameter collet which accepts bits having 1/4" (6.4 mm) diameter shanks. Bits are available as an accessory.

**▲ WARNING** Do not use bits with a diameter in excess of 1" (25.4 mm) in this tool.



#### INSTALLING THE BIT

**NOTE:** The bit shank and chuck should be clean and free of dust, wood residue and grease before assembling.

1. Remove the motor unit from the base. Refer to **Motor Quick Release** (if needed).
2. Clean and insert the bit shank into the collet until the end of the shank bottoms. Then withdraw the bit approximately 1/16" (1.6 mm).
3. Press and hold the spindle lock button (D). Tighten the collet nut securely with the supplied 17 mm open-end wrench (T).

**NOTE:** As an alternative to the spindle lock button, a thin 10 mm wrench can be used on the flats of the spindle (F).

To remove the bit, reverse the procedure. If the bit will not remove easily, lightly tap the bit shank with a wrench.

## COLLETS (FIG. 1)

**NOTE:** Never tighten the collet nut (O) without first installing a bit in it. Tightening an empty collet nut, even by hand, can damage the collet (N).

## LOCKING LEVER ADJUSTMENT (FIG. 2)

Excessive force should not be used to clamp the locking lever (H). Using excessive force may damage the base.

When the locking lever is clamped, the motor should not move in the base.

Adjustment is needed if the locking lever will not clamp without excessive force or if the motor moves in the base after clamping.

## ADJUSTING THE LOCKING LEVER'S CLAMPING FORCE

1. Open the locking lever (H).
2. Using a 2.5 mm hex wrench (not included) turn the locking lever adjustment screw (M) in small increments.  
Turning the screw clockwise tightens the lever, while turning the screw counterclockwise loosens the lever.

## CENTERING THE SUBBASE (FIG. 1)

If you need to adjust, change, or replace the subbase, a centering tool is recommended. Refer to **Accessories**. The centering tool consists of a cone and a pin.

## ADJUSTING THE SUBBASE

1. Loosen but do not remove the subbase screws (K) so the subbase moves freely.
2. Insert the pin into the collet and tighten the collet nut.
3. Insert the motor into the base and clamp the locking lever on the base.
4. Place a centering cone tool, available as an accessory at additional cost, on the pin and lightly press down on the cone until it stops. This will center the subbase.
5. While holding down on the cone, tighten the subbase screws (K).

## CONNECTING TO POWER SOURCE

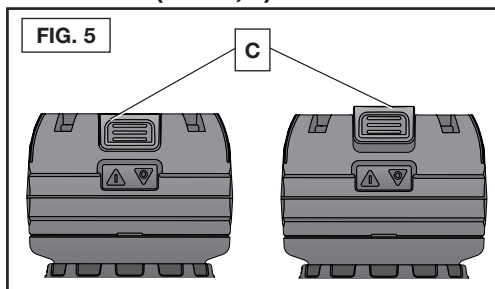
**⚠ CAUTION** Before connecting tool to power source, check to see that the switch is in the "OFF" position. Also, check the power circuit to see that it is the same as that shown on specification plate of the tool.

## STARTING AND STOPPING THE MOTOR (FIG. 1, 5)

**⚠ CAUTION** Before starting the tool, clear the work area of all foreign objects. Also keep firm grip on tool to resist starting torque.

**⚠ CAUTION** To avoid personal injury and/or damage to finished work, always allow the power unit to come to a COMPLETE STOP before putting the tool down.

To turn unit on, pull the on/off switch (C) up. To turn the unit off, depress the switch back down into the motor housing. Refer to Figure 5.

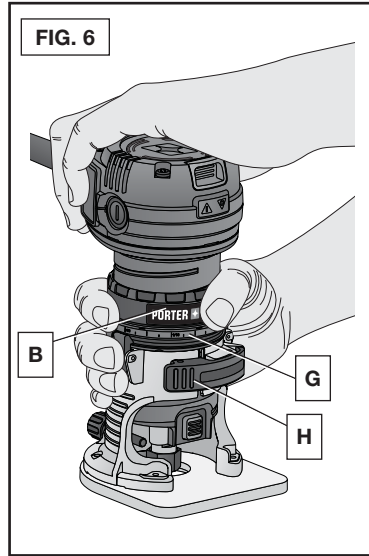


## ADJUSTING THE DEPTH OF CUT (FIG. 6)

1. Select and install the desired bit. Refer to **Bit Installation and Removal**.
2. Assemble base to motor, ensuring base is attached to the depth adjustment ring. Place laminate trimmer on the work piece.
3. Open the locking lever (H) and turn the depth adjustment ring (B) until the bit just touches the work piece. Turning the ring clockwise raises the cutting head while turning it counterclockwise lowers the cutting head.
4. Turn the micro adjustment scale (G) clockwise until the 0 on the scale lines up with the pointer on the quick release tab (A).
5. Turn the depth adjustment ring until the pointer lines up with desired depth of cut marking on the micro adjustment scale.

**NOTE:** Each mark on the adjustable scale represents a depth change of 1/64" or .015" (0.4 mm) and one full (360°) turn of the ring changes the depth 0.5" (12.7 mm).

6. Close the locking lever (H) to lock the base.



## USING AN EDGE GUIDE (FIG. 2)

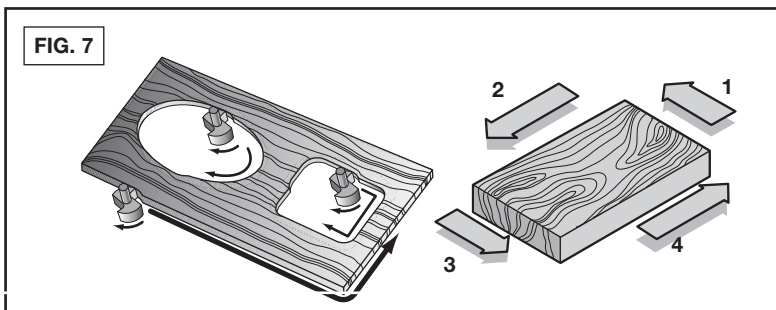
An edge guide is included with your laminate trimmer for use with non-piloted bits on curved or straight applications.

1. Remove the screw (S) in the back of the base (I).
2. Slide edge guide into edge guide slot (Q) on back of subbase (J). Tighten hardware.

**NOTE:** To remove the edge guide, reverse the above procedure. After removing edge guide, always replace the screw (S) into the storage hole on the back of the base to prevent it from being lost.

## DIRECTION OF FEED (FIG. 7)

The direction of feed is very important when trimming and can make the difference between a successful job and a ruined project. The figures show the proper direction of feed for some typical cuts. A general rule to follow is to move the laminate trimmer in a counterclockwise direction on an outside cut and a clockwise direction on an inside cut.



## SHAPING THE OUTSIDE EDGE OF A PIECE OF STOCK

1. Shape the end grain, left to right
2. Shape the straight grain side moving left to right
3. Cut the other end grain side
4. Finish the remaining straight grain edge

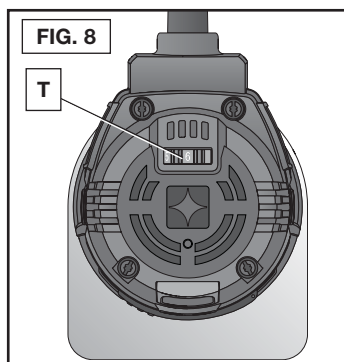
**NOTE:** Make several light passes instead of one heavy pass for better quality work.

## VARIABLE SPEED CONTROL (FIG. 8) (PCE6435 ONLY)

This laminate trimmer is equipped with a variable speed dial (T) with an infinite number of speeds between 16,000 and 30,000 RPM. Adjust the speed by turning the variable speed dial (T).

**NOTICE:** In low and medium speed operation, the speed control prevents the motor speed from decreasing. If you expect to hear a speed change and continue to load the motor, you could damage the motor by overheating. Reduce the depth of cut and/or slow the feed rate to prevent tool damage.

The laminate trimmer is equipped with electronics to monitor and maintain the speed of the tool while cutting.



## SPEED SELECTION CHART

DIAL SETTING	APPROX. RPM
1	16,000
2	19,300
3	21,400
4	23,700
5	26,400
6	30,000

The speeds in this chart are approximate and are for reference only. Your laminate trimmer may not exactly produce the speed listed for the dial setting.

**⚠ WARNING** Always follow the bit manufacturer's speed recommendations as some bit designs require specific speeds for safety or performance.

If you are unsure of the proper speed or are experiencing any type of problem, contact the bit manufacturer.

## MAINTENANCE

**⚠ WARNING** To reduce the risk of injury, turn unit off and disconnect it from power source before installing and removing accessories, before adjusting or when making repairs. An accidental start-up can cause injury.

## REPAIRS

For assistance with your tool, visit our website at [www.portercable.com](http://www.portercable.com) for a list of service centers, or call the PORTER-CABLE Customer Care Center at (888) 848-5175.

## CLEANING

**▲ WARNING** Periodically blowing dust and chips out of the motor housing using clean, dry compressed air is a suggested maintenance procedure. To reduce the risk of serious personal injury, **ALWAYS** wear ANSI Z87.1 safety glasses while using compressed air.

**▲ WARNING** When cleaning, use only mild soap and a damp cloth on plastic parts. Many household cleaners contain chemicals which could seriously damage plastic. Also, do not use gasoline, turpentine, lacquer, paint thinner, dry cleaning fluids or similar products which may seriously damage plastic parts. **NEVER** let any liquid get inside the tool; **NEVER** immerse any part of the tool into a liquid.

## SERVICE

### REPLACEMENT PARTS

Use only identical replacement parts. For a parts list or to order parts, visit our service website at [servicenet.portercable.com](http://servicenet.portercable.com). You can also order parts from your nearest PORTER-CABLE Factory Service Center or PORTER-CABLE Authorized Warranty Service Center. Or, you can call our Customer Care Center at (888) 848-5175.

### SERVICE AND REPAIRS

All quality tools will eventually require servicing and/or replacement of parts. For information about PORTER-CABLE, its factory service centers or authorized warranty service centers, visit our website at [www.portercable.com](http://www.portercable.com) or call our Customer Care Center at (888) 848-5175. All repairs made by our service centers are fully guaranteed against defective material and workmanship. We cannot guarantee repairs made or attempted by others.

You can also write to us for information at PORTER-CABLE, 4825 Highway 45 North, Jackson, Tennessee 38305 - Attention: Product Service. Be sure to include all of the information shown on the nameplate of your tool (model number, type, serial number, etc.).

## ACCESSORIES

A complete line of accessories is available from your PORTER-CABLE Factory Service Center or a PORTER-CABLE Authorized Warranty Service Center. Please visit our Web Site [www.portercable.com](http://www.portercable.com) for a catalog or for the name of your nearest supplier.

**▲ WARNING** Since accessories other than those offered by PORTER-CABLE have not been tested with this product, use of such accessories could be hazardous. For safest operation, only PORTER-CABLE recommended accessories should be used with this product.

## THREE YEAR LIMITED WARRANTY

**PORTER-CABLE** will repair, without charge, any defects due to faulty materials or workmanship for three years from the date of purchase. This warranty does not cover part failure due to normal wear or tool abuse. For further detail of warranty coverage and warranty repair information, visit [www.portercable.com](http://www.portercable.com) or call (888) 848-5175. This warranty does not apply to accessories or damage caused where repairs have been made or attempted by others. This warranty gives you specific legal rights and you may have other rights which vary in certain states or provinces.

In addition to the warranty, PORTER-CABLE tools are covered by our:

**1 YEAR FREE SERVICE:** PORTER-CABLE will maintain the tool and replace worn parts caused by normal use, for free, any time during the first year after purchase.

**90 DAY MONEY BACK GUARANTEE:** If you are not completely satisfied with the performance of your PORTER-CABLE Power Tool, Laser, or Nailer for any reason, you can return it within 90 days from the date of purchase with a receipt for a full refund – no questions asked.

**LATIN AMERICA:** This warranty does not apply to products sold in Latin America. For products sold in Latin America, see country specific warranty information contained in the packaging, call the local company or see website for warranty information.

To register your tool for warranty service visit our website at [www.portercable.com](http://www.portercable.com).

## **WARNING LABEL REPLACEMENT**

If your warning labels become illegible or are missing, call (888) 848-5175 for a free replacement.

<p><b>⚠ ADVERTENCIA</b> PARA EL MANEJO SEGURO LEA EL MANUAL DE INSTRUCCIONES. SIEMPRE SE DEBERÁ LLEVAR LA PROTECCIÓN APROPIADA PARA LA VISTA Y PARA LAS VÍAS RESPIRATORIAS.</p>	<p><b>⚠ ADVERTENCIA</b> PARA EL MANEJO SEGURO LEA EL MANUAL DE INSTRUCCIONES. SIEMPRE SE DEBERÁ LLEVAR LA PROTECCIÓN APROPIADA PARA LA VISTA Y PARA LAS VÍAS RESPIRATORIAS.</p>
<p><b>⚠ AVERTISSEMENT</b> À TITRE PRÉVENTIF, LIRE LE GUIDE, IL FAUT TOUJOURS PORTER DE L'ÉQUIPEMENT DE PROTECTION OCULAIRE ET RESPIRATOIRE APPROPRIÉ.</p>	<p><b>⚠ AVERTISSEMENT</b> À TITRE PRÉVENTIF, LIRE LE GUIDE, IL FAUT TOUJOURS PORTER DE L'ÉQUIPEMENT DE PROTECTION OCULAIRE ET RESPIRATOIRE APPROPRIÉ.</p>

**⚠ WARNING**

TO REDUCE THE RISK OF INJURY, USER MUST READ INSTRUCTION MANUAL. ALWAYS USE PROPER EYE AND RESPIRATORY PROTECTION.

AVERTISSEMENT: À TITRE PRÉVENTIF, LIRE LE GUIDE.

PORTER-CABLE  
JACKSON, TENNESSEE 38306 U.S.A.  
MADE IN CHINA

**PCEXXX**  
TRIM ROUTER

SER. XXXXXXXXXX

## MESURES DE SÉCURITÉ - DÉFINITIONS

**⚠ DANGER** indique une situation dangereuse imminente qui, si elle n'est pas évitée, **causera la mort ou des blessures graves.**

**⚠ AVERTISSEMENT** indique une situation potentiellement dangereuse qui, si elle n'est pas évitée, **pourrait** se solder par un **décès ou des blessures graves.**

**⚠ ATTENTION** indique une situation potentiellement dangereuse qui, si elle n'est pas évitée **pourrait** se solder par **des blessures mineures ou modérées.**

**AVIS:** indique une pratique ne posant **aucun risque de dommages corporels** mais qui par contre, si rien n'est fait pour l'éviter, **pourrait** poser des **risques de dommages matériels.**



**⚠ AVERTISSEMENT** Afin de réduire le risque de blessures, lire le mode d'emploi de l'outil.

## AVERTISSEMENTS DE SÉCURITÉ GÉNÉRAUX POUR LES OUTILS ÉLECTRIQUES

### ⚠ AVERTISSEMENT

**Lire tous les avertissements de sécurité et les directives.** Le non-respect des avertissements et des directives pourrait se solder par un choc électrique, un incendie et/ou une blessure grave.

## CONSERVER TOUS LES AVERTISSEMENTS ET TOUTES LES DIRECTIVES POUR UN USAGE ULTÉRIEUR

Le terme « outil électrique » cité dans les avertissements se rapporte à votre outil électrique à alimentation sur secteur (avec fil) ou par piles (sans fil).

### 1) SÉCURITÉ DU LIEU DE TRAVAIL

- Tenir l'aire de travail propre et bien éclairée.** Les lieux encombrés ou sombres sont propices aux accidents.
- Ne pas faire fonctionner d'outils électriques dans un milieu déflagrant, tel qu'en présence de liquides, de gaz ou de poussières inflammables.** Les outils électriques produisent des étincelles qui pourraient enflammer la poussière ou les vapeurs.
- Éloigner les enfants et les personnes à proximité pendant l'utilisation d'un outil électrique.** Une distraction pourrait en faire perdre la maîtrise à l'utilisateur.

### 2) SÉCURITÉ EN MATIÈRE D'ÉLECTRICITÉ

- Les fiches des outils électriques doivent correspondre à la prise. Ne jamais modifier la fiche d'aucune façon. Ne jamais utiliser de fiche d'adaptation avec un outil électrique mis à la terre.** Le risque de choc électrique sera réduit par l'utilisation de fiches non modifiées correspondant à la prise.
- Éviter tout contact physique avec des surfaces mises à la terre comme des tuyaux, des radiateurs, des cuisinières et des réfrigérateurs.** Le risque de choc électrique est plus élevé si votre corps est mis à la terre.

- c) **Ne pas exposer les outils électriques à la pluie ou à l'humidité.** La pénétration de l'eau dans un outil électrique augmente le risque de choc électrique.
- d) **Ne pas utiliser le cordon de façon abusive. Ne jamais utiliser le cordon pour transporter, tirer ou débrancher un outil électrique. Tenir le cordon éloigné de la chaleur, de l'huile, des bords tranchants et des pièces mobiles.** Les cordons endommagés ou enchevêtrés augmentent les risques de choc électrique.
- e) **Pour l'utilisation d'un outil électrique à l'extérieur, se servir d'une rallonge convenant à cette application.** L'utilisation d'une rallonge conçue pour l'extérieur réduira les risques de choc électrique.
- f) **S'il est impossible d'éviter l'utilisation d'un outil électrique dans un endroit humide, brancher l'outil dans une prise ou sur un circuit d'alimentation dotés d'un disjoncteur de fuite à la terre (GFCI).** L'utilisation de ce type de disjoncteur réduit les risques de choc électrique.

### 3) SÉCURITÉ PERSONNELLE

- a) **Être vigilant, surveiller le travail effectué et faire preuve de jugement lorsqu'un outil électrique est utilisé. Ne pas utiliser d'outil électrique en cas de fatigue ou sous l'influence de drogues, d'alcool ou de médicaments.** Un simple moment d'inattention en utilisant un outil électrique peut entraîner des blessures corporelles graves.
- b) **Utiliser des équipements de protection individuelle. Toujours porter une protection oculaire.** L'utilisation d'équipements de protection comme un masque antipoussière, des chaussures antidérapantes, un casque de sécurité ou des protecteurs auditifs lorsque la situation le requiert réduira les risques de blessures corporelles.
- c) **Empêcher les démarrages intempestifs. S'assurer que l'interrupteur se trouve à la position d'arrêt avant de relier l'outil à une source d'alimentation et/ou d'insérer un bloc-piles, de ramasser ou de transporter l'outil.** Transporter un outil électrique alors que le doigt repose sur l'interrupteur ou brancher un outil électrique dont l'interrupteur est à la position de marche risque de provoquer un accident.
- d) **Retirer toute clé de réglage ou clé avant de démarrer l'outil.** Une clé ou une clé de réglage attachée à une partie pivotante de l'outil électrique peut provoquer des blessures corporelles.
- e) **Ne pas trop tendre les bras. Conserver son équilibre en tout temps.** Cela permet de mieux maîtriser l'outil électrique dans les situations imprévues.
- f) **S'habiller de manière appropriée. Ne pas porter de vêtements amples ni de bijoux. Garder les cheveux, les vêtements et les gants à l'écart des pièces mobiles.** Les vêtements amples, les bijoux ou les cheveux longs risquent de rester coincés dans les pièces mobiles.
- g) **Si des composants sont fournis pour le raccordement de dispositifs de dépoussiérage et de ramassage, s'assurer que ceux-ci sont bien raccordés et utilisés.** L'utilisation d'un dispositif de dépoussiérage peut réduire les dangers engendrés par les poussières.

### 4) UTILISATION ET ENTRETIEN D'UN OUTIL ÉLECTRIQUE

- a) **Ne pas forcer un outil électrique. Utiliser l'outil électrique approprié à l'application.** L'outil électrique approprié effectuera un meilleur travail, de façon plus sûre et à la vitesse pour laquelle il a été conçu.
- b) **Ne pas utiliser un outil électrique dont l'interrupteur est défectueux.** Tout outil électrique dont l'interrupteur est défectueux est dangereux et doit être réparé.



- c) **Débrancher la fiche de la source d'alimentation et/ou du bloc-piles de l'outil électrique avant de faire tout réglage ou changement d'accessoire ou avant de ranger l'outil.** Ces mesures préventives réduisent les risques de démarrage accidentel de l'outil électrique.
- d) **Ranger les outils électriques hors de la portée des enfants et ne permettre à aucune personne n'étant pas familière avec un outil électrique ou son mode d'emploi d'utiliser cet outil.** Les outils électriques deviennent dangereux entre les mains d'utilisateurs inexpérimentés.
- e) **Entretien des outils électriques. Vérifier si les pièces mobiles sont mal alignées ou coincées, si des pièces sont brisées ou présentent toute autre condition susceptible de nuire au bon fonctionnement de l'outil électrique. En cas de dommage, faire réparer l'outil électrique avant toute nouvelle utilisation.** Beaucoup d'accidents sont causés par des outils électriques mal entretenus.
- f) **S'assurer que les outils de coupe sont aiguisés et propres.** Les outils de coupe bien entretenus et affûtés sont moins susceptibles de se coincer et sont plus faciles à maîtriser.
- g) **Utiliser l'outil électrique, les accessoires, les forets, etc. conformément aux présentes directives en tenant compte des conditions de travail et du travail à effectuer.** L'utilisation d'un outil électrique pour toute opération autre que celle pour laquelle il a été conçu est dangereuse.

#### 5) RÉPARATION

- a) **Faire réparer l'outil électrique par un réparateur professionnel en n'utilisant que des pièces de rechange identiques.** Cela permettra de maintenir une utilisation sécuritaire de l'outil électrique.

### RÈGLES DE SÉCURITÉ SPÉCIFIQUE

#### RÈGLES DE SÉCURITÉ ADDITIONNELLES PROPRES AUX DÉTOUREUSES À STRATIFIÉS

- **Tenir l'outil électrique par ses parties isolées car l'organe de coupe pourrait entrer en contact avec son cordon.** Couper un fil sous tension pourra mettre les parties métalliques exposées de l'outil électrique sous tension et électrocuter l'utilisateur.
- **Utiliser des serre-joints, ou tout autre moyen, pour fixer et immobiliser le matériau sur une surface stable.** Tenir la pièce à la main ou contre son corps offre une stabilité insuffisante qui pourrait vous en faire perdre le contrôle.
- **Suivre systématiquement les recommandations du fabricant de forets quant à la vitesse, car certains forets ont été conçus pour des vitesses spécifiques pour des raisons de sécurité ou de performances.** Si vous n'êtes pas sûr de la vitesse correcte ou rencontrez un problème quelconque, veuillez contacter le fabricant du foret.
- **NE DÉCOUPER AUCUN MÉTAL.**
- **Maintenir les poignées et les surfaces de prises propres et sèches, exemptes d'huile ou de graisse.** Cela permettra un meilleur contrôle de l'outil.
- **Maintenir une prise ferme sur la détoureuse à stratifiés, à deux mains, pour résister à tout couple de démarrage.**
- **Garder les mains éloignées des zones de coupe. Ne jamais passer les doigts sous le matériau pour quelque raison que ce soit.** Maintenir fermement la base de la détoureuse à stratifiés tout contre la pièce pendant la coupe. Ces précautions réduiront tout risque de dommages corporels.
- **Ne pas faire tourner le bloc-moteur tant que l'appareil n'est pas inséré dans la base.** Le moteur n'a pas été conçu pour être tenu manuellement.
- **Maintenir une pression de coupe constante.** Ne pas surcharger le moteur.

- **Vérifier que le cordon ne s'enchevêtrera pas et n'entravera pas les opérations de détournage.**
- **Utilisez des fraises bien affûtées.** Les fraises émoussées feront dévier ou caler la détoureuse à stratifiés sous la pression.
- **S'assurer que la fraise ne touche pas la pièce à travailler avant de démarrer le moteur.** Le fait de la mettre en contact avec la pièce alors que le moteur démarre pourra faire rebondir la détoureuse à stratifiés et poser des risques de dommages matériels ou corporels.
- **Déconnecter SYSTÉMATIQUEMENT l'outil du secteur avant de changer de fraise ou d'effectuer tout réglage.**
- **Protéger les mains de la fraise lorsque le moteur tourne pour prévenir tout risque de dommages corporels.**
- **Ne JAMAIS toucher la fraise immédiatement après usage.** Elle pourrait être brûlante.
- **Laisser un espace sous la pièce pour la fraise pour couper la pièce de part en part.**
- **Resserrer soigneusement l'écrou de la douille de serrage à l'aide de la clé (17 mm) fournie à cet effet pour éviter que la fraise ne dérape.**
- **Ne jamais serrer l'écrou de la douille de serrage sans qu'une fraise n'y soit installée.**
- **Non recommandé pour être utilisé avec une table à toupie.**
- **Éviter tout usinage tangentiel en avalant (couper dans la direction opposée à celle indiquée en figure 8). L'usinage tangentiel en avalant augmente les risques de perdre le contrôle de l'outil et de dommages corporels.** Lorsque c'est nécessaire (ex. : recul dans un coin), prendre des précautions extrêmes pour maintenir le contrôle de la détoureuse. Effectuer des coupes plus réduites et retirer un minimum de matériau à chaque passage.
- **S'assurer que le moteur est à l'arrêt complet avant de poser la détoureuse à stratifiés.** Le fait de poser l'outil alors que la tête de fraise continue de tourner pose des risques de dommages corporels ou matériels.
- **Ne pas appuyer sur le bouton de verrouillage de la broche lorsque le moteur tourne.** Cela pourrait endommager le verrouillage de broche.
- **Ne pas utiliser des outils exclusivement CA avec un bloc d'alimentation CC.** Même si l'outil semble fonctionner, les composants électriques d'un outil CA pourront dysfonctionner et poser des risques à l'utilisateur.
- **En cas de coupe dans des murs existants ou dans toute zone à visibilité réduite où des fils électriques pourraient se trouver, déconnecter tout fusible ou disjoncteur alimentant la zone.**
- **S'assurer systématiquement que la surface de travail ne comporte ni clou ni objets étrangers.** Le fait de couper dans un clou pourra faire rebondir la fraise ou l'outil et endommager la fraise.
- **Ne jamais poser la pièce à travailler sur des surfaces dures comme le béton, la pierre, etc.** Une fraise dépassant pourra faire rebondir l'outil.
- **Ne pas laisser l'outil tourner seul. Ne laisser fonctionner un outil que lorsqu'il est maintenu à la main.**
- **Prendre des précautions à proximité des événements, car ils cachent des pièces mobiles.** Vêtements amples, bijoux ou cheveux longs risquent de rester coincés dans ces pièces mobiles.
- **Pour la sécurité de l'utilisateur, utiliser une rallonge de calibre adéquat (AWG, American Wire Gauge [calibrage américain normalisé des fils électriques]).** Plus le calibre est petit, et plus sa capacité est grande. Un calibre 16, par exemple, a une capacité supérieure à un calibre 18. L'usage d'une rallonge de calibre insuffisant causera une chute de tension qui entraînera perte de puissance et surchauffe. Si plus d'une rallonge est utilisée pour obtenir une

certaine longueur, s'assurer que chaque rallonge présente au moins le calibre de fil minimum. Le tableau ci-dessous illustre les calibres à utiliser selon la longueur de rallonge et l'intensité nominale indiquée sur la plaque signalétique. En cas de doute, utiliser le calibre suivant. Plus le calibre est petit, plus la rallonge peut supporter de courant.

Calibres minimaux des rallonges						
Intensité (en ampères)		volts	Longueur totale de cordon en mètres (pieds)			
		120 V	7,6 (25)	15,2 (50)	30,5 (100)	45,7 (150)
		240 V	15,2 (50)	30,5 (100)	61,0 (200)	91,4 (300)
Supérieur à	Inférieur à	AWG				
0	6		18	16	16	14
6	10		18	16	14	12
10	12		16	16	14	12
12	16		14	12	Non recommandé	

**⚠ AVERTISSEMENT** porter **SYSTEMATIQUEMENT** des lunettes de protection. Les lunettes courantes NE sont PAS des lunettes de protection. Utiliser aussi un masque antipoussières si la découpe doit en produire beaucoup. PORTER SYSTEMATIQUEMENT UN ÉQUIPEMENT DE SÉCURITÉ HOMOLOGUÉ :

- Protection oculaire ANSI Z87.1 (CAN/CSA Z94.3) ;
- Protection auditive ANSI S12.6 (S3.19) ;
- Protection des voies respiratoires NIOSH/OSHA/MSHA.

**⚠ AVERTISSEMENT** les scies, meules, ponceuses, perceuses ou autres outils de construction peuvent produire des poussières contenant des produits chimiques reconnus par l'État californien pour causer cancers, malformations congénitales ou être nocifs au système reproducteur. Parmi ces produits chimiques, on retrouve :

- Le plomb dans les peintures à base de plomb ;
- La silice cristallisée dans les briques et le ciment, ou autres produits de maçonnerie ; et
- L'arsenic et le chrome dans le bois ayant subi un traitement chimique.

Le risque associé à de telles expositions varie selon la fréquence à laquelle on effectue ces travaux. Pour réduire toute exposition à ces produits : travailler dans un endroit bien aéré, en utilisant du matériel de sécurité homologué, tel un masque antipoussières spécialement conçu pour filtrer les particules microscopiques.

- **limiter toute exposition prolongée avec les poussières provenant du ponçage, sciage, meulage, perçage ou toute autre activité de construction. Porter des vêtements de protection et nettoyer à l'eau savonneuse les parties du corps exposées.** Le fait de laisser la poussière pénétrer dans la bouche, les yeux ou la peau peut favoriser l'absorption de produits chimiques dangereux.

**⚠ AVERTISSEMENT** cet outil peut produire et/ou répandre de la poussière susceptible de causer des dommages sérieux et permanents au système respiratoire. Utiliser systématiquement un appareil de protection des voies respiratoires homologué par le NIOSH ou l'OSHA. Diriger les particules dans le sens opposé au visage et au corps.

**⚠ AVERTISSEMENT** pendant l'utilisation, porter systématiquement une protection auditive individuelle adéquate homologuée ANSI S12.6 (S3.19). Sous certaines conditions et suivant la durée d'utilisation, le bruit émanant de ce produit pourrait contribuer à une perte de l'acuité auditive.

- L'étiquette apposée sur votre outil peut inclure les symboles suivants. Les symboles et leur définition sont indiqués ci-après :

V..... volts	A.....ampères
Hz..... hertz	W.....watts
min ..... minutes	~ ou AC .....courant alternatif
— ou DC... courant continu	⋈ ou AC/DC.courant alternatif ou continu
Ⓢ..... classe I fabrication (mis à la terre)	n <sub>0</sub> .....vitesse à vide
Ⓜ..... fabrication classe II (double isolation)	n.....vitesse nominale
.../min ..... par minute	⊕ .....borne de terre
IPM..... impacts par minute	⚠.....symbole d'avertissement
BPM ..... battements par minute	SPM (FPM) .....fréquence par minute
sfp <sub>m</sub> ..... pieds linéaires par minute (plpm)	r/min.....tours par minute

## CONSERVER CES DIRECTIVES

### MOTEUR

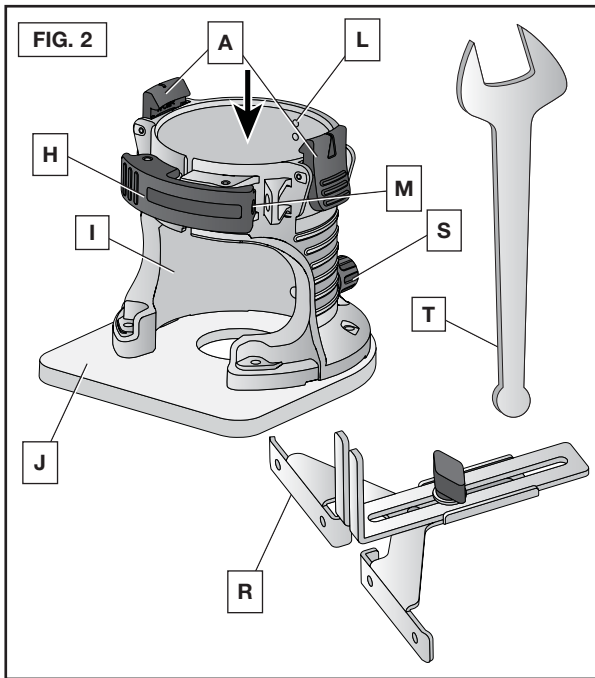
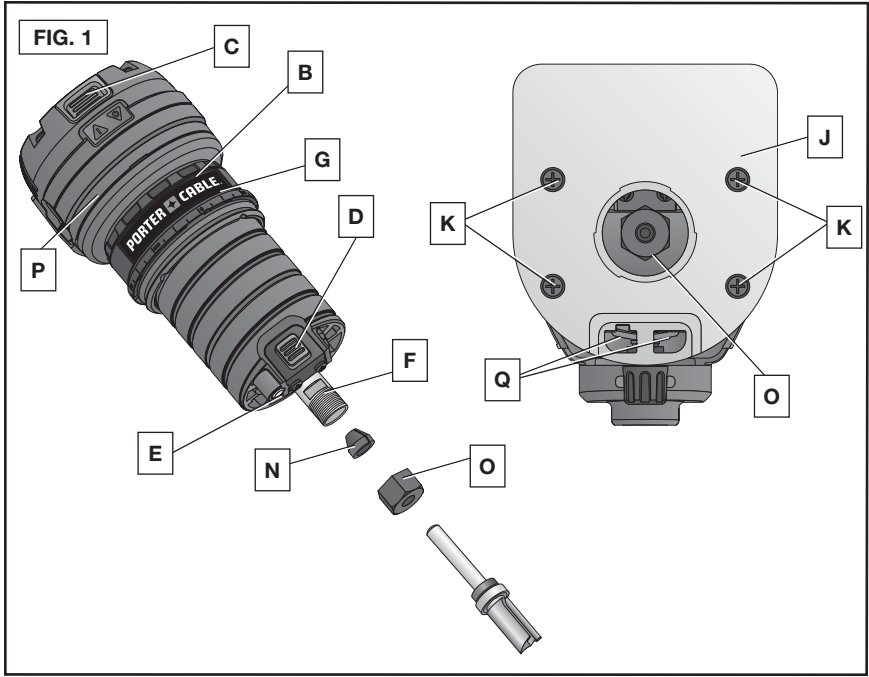
S'assurer que le bloc d'alimentation est compatible avec l'inscription de la plaque signalétique. Une diminution de tension de plus de 10 % provoquera une perte de puissance et une surchauffe. Les outils PORTER-CABLE sont testés en usine ; si cet outil ne fonctionne pas, vérifier l'alimentation électrique.

**AVIS:** Ne pas utiliser l'outil relié à un courant pour lequel la tension n'est pas dans les limites correctes. Ne pas faire fonctionner des outils à courant alternatif (c.a.) sur un courant continu (c.c.). Un tel branchement pourrait endommager gravement l'outil.

## COMPONENTS (FIG. 1, 2)

**⚠ AVERTISSEMENT** ne jamais modifier l'outil électrique ni aucun de ses composants, car il y a risques de dommages corporels ou matériels.

- |                                    |  |
|------------------------------------|--|
| A. Languettes de dégagement rapide | L. Tenons de guidage                             |
| B. Bague de réglage de profondeur  | M. Vis de réglage du levier de verrouillage      |
| C. Interrupteur marche/arrêt       | N. Douille de serrage                            |
| D. Bouton de blocage de l'arbre    | O. Écrou de la douille de serrage                |
| E. Voyant DEL                      | P. Bloc-moteur                                   |
| F. Broche                          | Q. Roulements des galets/gorge du guide de chant |
| G. Échelle de réglage de précision | R. Guide de chant                                |
| H. Levier de verrouillage          | S. Vis de guide                                  |
| I. Base                            | T. Clé à broche                                  |
| J. Semelle                         |  |
| K. Vis de la semelle               |  |



## USAGE PRÉVU

Cette détoureuse à stratifiés a été conçue pour le détournage professionnel droit et en biseau de complexes plastiques et autres matériaux similaires comprenant des liants les rendant trop durs pour être découpés avec des outils ordinaires.

**NE PAS** les utiliser en milieu ambiant humide ou en présence de liquides ou de gaz inflammables.

Cette détoureuse à stratifiés est un outil électrique de professionnels. **NE PAS** le laisser à la portée des enfants. Une supervision est nécessaire auprès de tout utilisateur non expérimenté.

## OPÉRATION

**⚠ AVERTISSEMENT** pour réduire le risque de blessures, éteindre l'appareil et le débrancher avant d'installer ou de retirer tout accessoire et avant d'effectuer des réglages ou des réparations. Un démarrage accidentel peut provoquer des blessures.

### POSITION CORRECTE DES MAINS (FIG. 6)

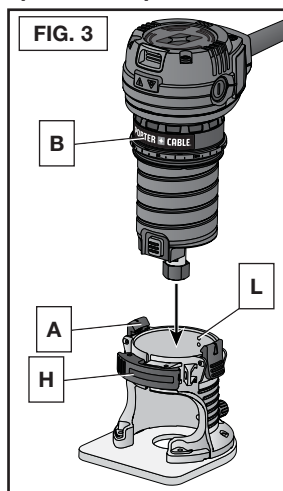
**⚠ AVERTISSEMENT** pour réduire tout risque de dommages corporels graves, adopter **SYSTÉMATIQUEMENT** la position des mains illustrée.

**⚠ AVERTISSEMENT** pour réduire tout risque de dommages corporels graves, maintenir **SYSTÉMATIQUEMENT** l'outil fermement pour anticiper toute réaction soudaine de l'outil

La position correcte des mains requiert une main sur le châssis moteur et l'autre sur le carter du moteur.

### INSERTION DU MOTEUR DANS LA BASE FIXE (FIG. 1 À 3)

1. Ouvrez le levier de verrouillage (H) sur la base.
2. Si la bague de réglage de profondeur (B) n'est pas sur le moteur, vissez la bague de réglage de profondeur (B) sur le moteur jusqu'à ce que la bague soit positionnée, comme illustré. Insérez le moteur dans la base en alignant la rainure sur l'arrière du moteur sur les tenons de guidage (L) de la base. Enfoncez le moteur jusqu'à ce que la bague de réglage de profondeur (B) s'enclenche en place.
3. Ajustez la profondeur de coupe en tournant la bague de réglage de profondeur (B). Reportez-vous à la section **Réglage de la profondeur de coupe**.
4. Fermez le levier de verrouillage (H) lorsque la profondeur de coupe désirée est obtenue. Pour plus d'informations sur le réglage de la profondeur de coupe, reportez-vous à la section **Réglage de la profondeur de coupe**.



## LIBÉRATION INSTANTANÉE DU MOTEUR (FIG. 2)

1. Ouvrez le levier de verrouillage (H) sur la base.
2. Attrapez la base d'une main tout en appuyant sur les deux languettes de dégagement rapide (A).
3. De l'autre main, attrapez et sortez le moteur hors de la base.

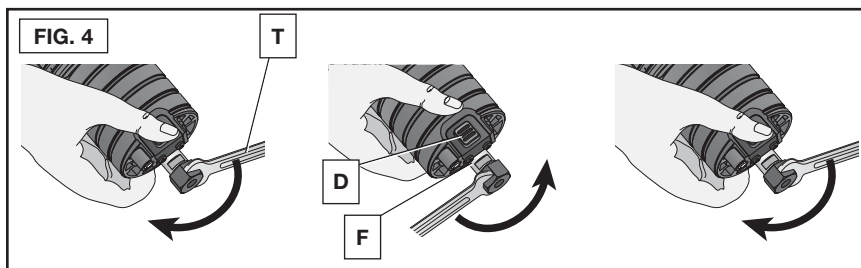
## RETRAIT ET INSTALLATION DE LA FRAISE (FIG. 4)

### SÉLECTION DE LA FRAISE

**⚠ AVERTISSEMENT** risques de projections. Utiliser exclusivement des fraises à tige de 6,4 mm (1/4 po). Les fraises à tige de taille inférieure ne peuvent être arrimées de façon sécuritaire et pourraient se libérer pendant l'utilisation.

Ces détoureuses à stratifiés sont équipées d'une douille de 6,4 mm (1/4 po) de diamètre pouvant accepter des fraises à tige de 6,4 mm (1/4 po) de diamètre. Les fraises sont des accessoires vendus séparément.

**⚠ AVERTISSEMENT** ne pas utiliser des fraises d'un diamètre supérieur à 25.4 mm (1 po) avec cet outil.



### INSTALLING THE BIT

**NOTE:** The bit shank and chuck should be clean and free of dust, wood residue and grease before assembling.

1. Retirez le bloc-moteur de la base. Reportez-vous à la section Libération instantanée du moteur (le cas échéant).
2. Nettoyez puis insérez à fond la tige de fraise dans la douille. Retirez ensuite la fraise d'environ 1,6 mm (1/16po).
3. Maintenez appuyé le bouton de verrouillage de la broche (D). Resserrez soigneusement l'écrou de la douille de serrage à l'aide de la clé de 17 mm (V) fournie à cet effet.

**REMARQUE :** au lieu du bouton de verrouillage de la broche, on peut utiliser une clé de 10 mm sur les méplats de la broche (T).

Pour retirer la mèche, inversez le processus. Si la fraise ne se sort pas facilement, tapotez sur sa tige à l'aide d'une clé.

### DOUILLES DE SERRAGE (FIG. 1)

**REMARQUE :** ne jamais resserrer l'écrou de la douille de serrage (O) sans avoir déjà installé une fraise. Le fait de resserrer l'écrou de la douille de serrage à vide, même manuellement, pourra endommager la douille (N).

## RÉGLAGE DU LEVIER DE VERROUILLAGE (FIG. 2)

Ne pas exercer de force excessive pour resserrer le levier de verrouillage. Toute force excessive pourrait endommager la base.

Lorsque le levier de verrouillage est arrimé, le moteur ne devrait pas bouger sur la base.

Un réglage supplémentaire sera nécessaire si le levier de verrouillage ne l'immobilise pas sans utiliser une force excessive ou si le moteur continue de bouger sur la base après arrimage.

## RÉGLAGE DE LA FORCE DE SERRAGE DU LEVIER DE VERROUILLAGE

1. Ouvrez le levier de verrouillage (H).
2. À l'aide d'une clé hexagonale de 2,5 mm (non comprise), tournez graduellement la vis de réglage (M) du levier de verrouillage.  
Tourner la vis vers la droite resserre le levier, alors que tourner la vis vers la gauche le desserre.

## CENTRAGE DE LA SEMELLE (FIG. 1)

Pour tout ajustement, changement ou remplacement de la semelle, il est recommandé d'utiliser un outil de centrage, reportez-vous à la section **Accessoires**. L'outil de centrage consiste en un cône et une goupille.

## RÉGLAGE DE LA SEMELLE

1. Desserrez les vis (K) de la semelle, sans les retirer, de façon à ce que la semelle bouge librement.
2. Insérez la goupille dans la douille puis resserrez l'écrou de la douille de serrage.
3. Insérez le moteur dans la base et arrimez le levier de verrouillage sur la base.
4. Placez le cône de centrage (accessoire vendu séparément) sur la goupille et appuyez légèrement sur le cône jusqu'à ce qu'il stoppe. Cela centrera la semelle.
5. Tout en maintenant le cône appuyé, resserrez les vis (K) de la semelle.

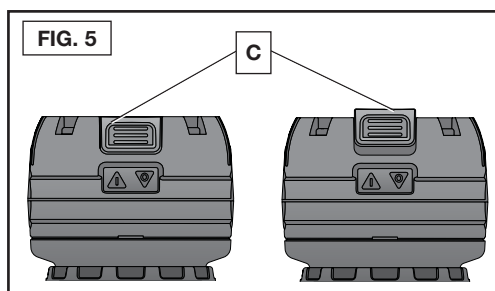
## CONNEXION AU SECTEUR

**⚠ ATTENTION** avant de connecter l'outil au secteur, vérifier que l'interrupteur est bien en position d'ARRÊT (o). Vérifier aussi que le secteur est bien conforme aux indications données par la plaque signalétique de l'outil.

## MISE EN MARCHÉ ET ARRÊT DU MOTEUR (FIG. 1, 5)

**⚠ ATTENTION** avant de mettre l'outil en marche, éliminer tout objet étranger de l'aire de travail. Maintenir une prise ferme sur l'outil pour contrer tout retour de couple.

**⚠ ATTENTION** pour éviter tout dommage corporel ou dommage au matériau fini, attendre systématiquement l'ARRÊT COMPLET du moteur avant de poser l'outil.



Pour mettre l'outil en marche, poussez l'interrupteur marche/arrêt (C) vers le haut. Pour arrêter l'outil, repoussez l'interrupteur dans le boîtier du moteur. Reportez-vous en figure 5.

## RÉGLAGE DE LA PROFONDEUR DE COUPE (FIG. 6)

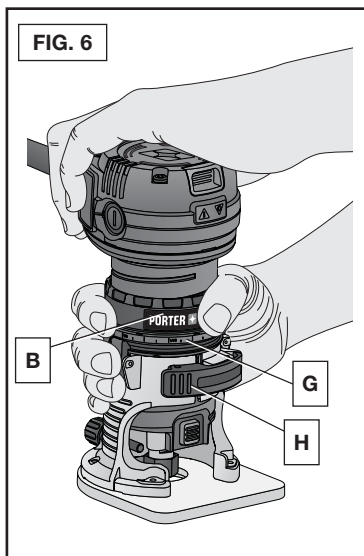
1. Choisissez et installez la fraise désirée. Reportez-vous à la section Retrait et installation de la fraise.



- Assemblez la base au moteur, en veillant à ce que la base soit rattachée à la bague de réglage de profondeur. Placez la détoureuse à stratifiés sur la pièce à travailler.
- Ouvrez le levier de verrouillage (H) puis tournez la bague de réglage de profondeur (B) jusqu'à ce que la fraise touche la pièce. Tourner la bague vers la droite élève l'organe de coupe alors que vers la gauche cela l'abaissera.
- Tournez l'échelle de réglage de précision (G) vers la droite jusqu'à ce que le 0 sur l'échelle s'aligne sur le pointeur sur la languette de dégagement rapide (A).
- Tournez la bague de réglage de profondeur jusqu'à ce que le pointeur s'aligne sur la profondeur de coupe désirée indiquée sur l'échelle de réglage de précision.

**REMARQUE :** chaque repère sur l'échelle réglable représente un changement de profondeur de 0,4 mm (1/64 po ou 0,015 po) et un tour complet (360 °) de la bague change la profondeur de 12,7 mm (0,5 po).

- Refermez le levier de verrouillage (H) pour verrouiller la base.



### UTILISATION D'UN GUIDE DE CHANT (FIG. 2)

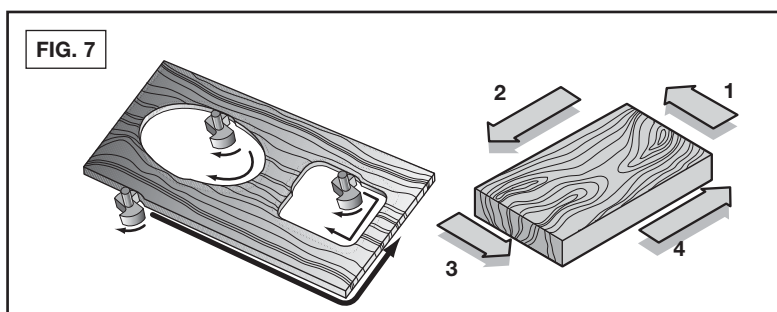
Un guide de chant est inclus avec votre détoureuse à stratifiés intégrale pour être utilisé avec les fraises non dirigées pour des applications en courbe ou droites.

- Retirez la vis (S) à l'arrière de la base (I).
- Insérez le guide de chant dans la gorge du guide de chant (Q) à l'arrière de la semelle (J). Resserrez les vis.

**REMARQUE :** pour retirer le guide de chant, inverser la procédure ci-dessus. Chaque fois que le guide de chant est retiré, réinstallez systématiquement la vis dans son orifice de stockage à l'arrière de la base pour éviter de la perdre.

### SENS DE L'ALIMENTATION (FIG. 7)

Le sens de l'alimentation est très important lorsqu'on détoure et peut faire la différence quant à la réussite ou au gâchis d'un projet. Les figures illustrent le sens correct d'alimentation pour certaines coupes typiques. En règle générale, déplacez la détoureuse à stratifiés vers la gauche pour une coupe externe et vers la droite pour une coupe interne.



## FAÇONNAGE DU BORD EXTERNE D'UNE PIÈCE À TRAVAILLER

1. Façonnez le fil d'extrémité de la gauche vers la droite
2. Façonnez le côté fil droit en allant de la gauche vers la droite
3. Coupez ensuite l'autre fil d'extrémité
4. Terminez la bordure restante de fil droit

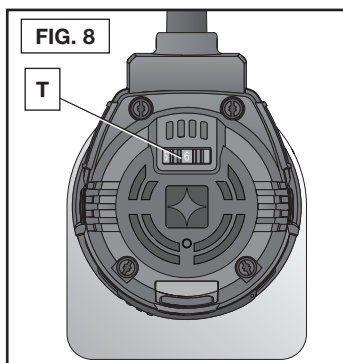
**REMARQUE :** pour améliorer la qualité, effectuez la coupe en plusieurs passages.

## RÉGULATEUR À VITESSE VARIABLE (Fig. 8) (PCE6435 SEULEMENT)

Cette détoureuse à stratifiés est équipée d'un variateur de vitesse (T) offrant un nombre infini de vitesses possibles, entre 16 000 et 30 000 r/min. Ajustez la vitesse en tournant le cadran du variateur de vitesse (T).

**AVIS:** en vitesse réduite ou moyenne, le régulateur automatique de vitesse évite que la vitesse du moteur tombe. Si vous vous attendez à percevoir un changement de vitesse, et continuez à pousser le moteur, cela pourra le faire surchauffer et l'endommager. Réduisez la profondeur de coupe et/ou ralentissez la vitesse d'alimentation pour prévenir tout dommage matériel.

Les détourees à stratifiés sont équipées d'une fonction électronique pour contrôler et maintenir la vitesse de l'outil pendant la coupe.



### TABLEAU DE SÉLECTION DE VITESSE

RÉGLAGE CADRAN	R/MIN APPROX. R/MIN
1	16 000
2	19 300
3	21 400
4	23 700
5	26 400
6	30 000

Les vitesses de ce tableau sont approximatives et ne sont données qu'à titre de référence. Votre détoureuse à stratifiés pourra ne pas produire exactement la vitesse correspondant au réglage affiché sur le cadran.

**⚠ AVERTISSEMENT** suivre systématiquement les recommandations du fabricant de forets quant à la vitesse, car certains forets ont été conçus pour des vitesses spécifiques pour des raisons de sécurité ou de performances.

Si vous n'êtes pas sûr de la vitesse correcte ou rencontrez un problème quelconque, veuillez contacter le fabricant du foret.

## ENTRETIEN

**⚠ AVERTISSEMENT** Pour réduire le risque de blessures, éteindre l'appareil et le débrancher avant d'installer ou de retirer tout accessoire et avant d'effectuer des réglages ou des réparations. Un démarrage accidentel peut provoquer des blessures.

## RÉPARATIONS

Pour obtenir de l'aide au sujet de l'outil, consulter notre site Web [www.portercable.com](http://www.portercable.com) pour obtenir une liste des centres de réparation ou composer le (888) 848-5175 pour le service à la clientèle de PORTER-CABLE.

## NETTOYAGE

**▲ AVERTISSEMENT** Nous recommandons de suivre une procédure d'entretien, à savoir, d'enlever périodiquement la poussière et les éclats du carter de moteur à l'aide d'air comprimé sec et propre. Pour réduire le risque de blessures corporelles graves, **TOUJOURS** porter des lunettes de sécurité ANSI Z87.1 au moment d'utiliser l'air comprimé.

**▲ AVERTISSEMENT** Lors du nettoyage des pièces de plastique, utiliser uniquement du savon doux et un chiffon humide. Bon nombre de nettoyants domestiques renferment des produits chimiques pouvant grandement endommager le plastique. En outre, ne pas utiliser d'essence, de térébenthine, de diluant à peinture ou à laque, de liquides pour nettoyage à sec ou tout autre produit semblable qui pourrait endommager gravement les composants en plastique. **NE JAMAIS** laisser de liquide pénétrer dans l'outil et **NE JAMAIS** immerger aucune partie de l'outil dans un liquide.

## SERVICE

### PIÈCES DE RECHANGE

Utiliser seulement des pièces de rechange identiques. Pour obtenir une liste des pièces de rechange ou pour en commander, consulter notre site Web au [servicenet.portercable.com](http://servicenet.portercable.com). Commander aussi des pièces auprès d'une succursale d'usine, ou composer le (888) 848-5175 pour le service à la clientèle.

### ENTRETIEN ET RÉPARATION

Tous les outils de qualité finissent par demander un entretien ou un changement de pièce. Pour de plus amples renseignements à propos de PORTER-CABLE, ses succursales d'usine ou un centre de réparation sous garantie autorisé, consulter notre site Web au [www.portercable.com](http://www.portercable.com) ou composer le (888) 848-5175 pour le service à la clientèle. Toutes les réparations effectuées dans nos centres de réparation sont entièrement garanties contre les défauts de matériaux et de main-d'œuvre. Nous ne pouvons garantir les réparations effectuées en partie ou totalement par d'autres.

Pour de plus amples renseignements par courrier, écrire à PORTER-CABLE, 4825 Highway 45 North, Jackson, Tennessee 38305, É.-U. – à l'attention de : Product Service. S'assurer d'indiquer toutes les informations figurant sur la plaque signalétique de l'outil (numéro du modèle, type, numéro de série, etc.).

## ACCESSOIRES

Une gamme complète d'accessoires est disponible auprès de votre fournisseur PORTER-CABLE, centres de réparation de l'usine PORTER-CABLE et centres de réparation agréés PORTER-CABLE. Veuillez consulter le site Web [www.portercable.com](http://www.portercable.com) pour un catalogue ou le nom du fournisseur le plus près de chez vous.

**▲ AVERTISSEMENT** Puisque les accessoires autres que ceux offerts par PORTER-CABLE n'ont pas été testés avec ce produit, l'utilisation de ceux-ci pourrait s'avérer dangereux. Pour un fonctionnement en toute sécurité, utiliser seulement les accessoires recommandés PORTER-CABLE avec le produit.

## GARANTIE LIMITÉE DE TROIS ANS

**PORTER-CABLE** réparera, sans frais, tout produit défectueux causé par un défaut de matériel ou de fabrication pour une période de trois ans à compter de la date d'achat. La présente garantie ne couvre pas les pièces dont la défectuosité a été causée par une usure normale ou l'usage abusif de l'outil. Pour obtenir de plus amples renseignements sur les pièces ou les réparations couvertes par la présente garantie, visiter le site [www.portercable.com](http://www.portercable.com) ou composer le (888) 848-5175. Cette garantie ne s'applique pas aux accessoires et ne vise pas les dommages causés par des réparations effectuées par un tiers. Cette garantie confère des droits légaux particuliers à l'acheteur, mais celui-ci pourrait aussi bénéficier d'autres droits variant d'un état ou d'une province à l'autre.

En plus de la présente garantie, les outils **PORTER-CABLE** sont couverts par notre : **CONTRAT D'ENTRETIEN GRATUIT D'UN AN**: **PORTER-CABLE** entretiendra l'outil et remplacera les pièces usées au cours d'une utilisation normale et ce, gratuitement, pendant une période d'un an à compter de la date d'achat, et la.

**GARANTIE DE REMBOURSEMENT DE 90 JOURS**: Si l'acheteur n'est pas entièrement satisfait, pour quelque raison que ce soit, du rendement de l'outil électrique ou de la cloueuse **PORTER-CABLE**, celui-ci peut le retourner, accompagné d'un reçu, dans les 90 jours à compter de la date d'achat, pour obtenir un remboursement intégral, sans aucun problème.

**AMÉRIQUE LATINE** : Cette garantie ne s'applique aux produits vendus en Amérique latine. Pour ceux-ci, veuillez consulter les informations relatives à la garantie spécifique présente dans l'emballage, appeler l'entreprise locale ou consulter le site Web pour les informations relatives à cette garantie.

Pour enregistrer l'outil en vue d'obtenir un service de garantie, consulter notre site Web au [www.portercable.com](http://www.portercable.com).

## REPLACEMENT GRATUIT DE L'ÉTIQUETTE

Si les étiquettes d'avertissement deviennent illisibles ou sont manquantes, composer le (888) 848-5175 pour en obtenir le remplacement gratuit.

<b>ADVERTENCIA</b> PARA EL MANEJO SEGURO LEA EL MANUAL DE INSTRUCCIONES. SIEMPRE SE DEBERÁ LLEVAR LA PROTECCIÓN APROPIADA PARA LA VISTA Y PARA LAS VÍAS RESPIRATORIAS.	<b>ADVERTENCIA</b> PARA EL MANEJO SEGURO LEA EL MANUAL DE INSTRUCCIONES. SIEMPRE SE DEBERÁ LLEVAR LA PROTECCIÓN APROPIADA PARA LA VISTA Y PARA LAS VÍAS RESPIRATORIAS.
<b>AVERTISSEMENT</b> À TITRE PRÉVENTIF, LIRE LE GUIDE, IL FAUT TOUJOURS PORTER DE L'ÉQUIPEMENT DE PROTECTION OCULAIRE ET RESPIRATOIRE APPROPRIÉ.	<b>AVERTISSEMENT</b> À TITRE PRÉVENTIF, LIRE LE GUIDE, IL FAUT TOUJOURS PORTER DE L'ÉQUIPEMENT DE PROTECTION OCULAIRE ET RESPIRATOIRE APPROPRIÉ.

**WARNING**  
TO REDUCE THE RISK OF INJURY, USER MUST READ INSTRUCTION MANUAL. ALWAYS USE PROPER EYE AND RESPIRATORY PROTECTION.  
AVERTISSEMENT: À TITRE PRÉVENTIF, LIRE LE GUIDE.  
PORTER-CABLE  
JACKSON, TENNESSEE 38306 U.S.A.  
MADE IN CHINA

**PCEXXX**  
TRIM ROUTER  
  
SER. \_\_\_\_\_

## PAUTAS DE SEGURIDAD/DEFINICIONES

**⚠ PELIGRO** Indica una situación de peligro inminente que, si no se evita, **provocará la muerte o lesiones graves.**

**⚠ AVERTENCIA** Indica una situación de peligro potencial que, si no se evita, **podría provocar la muerte o lesiones graves.**

**⚠ ATENCIÓN** Indica una situación de peligro potencial que, si no se evita, **puede provocar lesiones leves o moderadas.**

**AVISO** Se refiere a una práctica **no relacionada a lesiones corporales** que de no evitarse **puede** resultar en **daños a la propiedad.**



**⚠ AVERTENCIA** Para reducir el riesgo de lesiones, lea el manual de instrucciones.

## ADVERTENCIAS GENERALES DE SEGURIDAD PARA HERRAMIENTAS ELÉCTRICAS

**⚠ ADVERTENCIA:** **Lea todas las advertencias de seguridad e instrucciones** El incumplimiento de las advertencias e instrucciones puede provocar descargas eléctricas, incendios o lesiones graves.

### CONSERVE TODAS LAS ADVERTENCIAS E INSTRUCCIONES PARA FUTURAS CONSULTAS

El término “herramienta eléctrica” incluido en las advertencias hace referencia a las herramientas eléctricas operadas con corriente (con cable eléctrico) o a las herramientas eléctricas operadas con baterías (inalámbricas).

#### 1) SEGURIDAD EN EL ÁREA DE TRABAJO

- Mantenga el área de trabajo limpia y bien iluminada.** Las áreas abarrotadas y oscuras propician accidentes.
- No opere las herramientas eléctricas en atmósferas explosivas, como ambientes donde haya polvo, gases o líquidos inflamables.** Las herramientas eléctricas originan chispas que pueden encender el polvo o los vapores.
- Mantenga alejados a los niños y a los espectadores de la herramienta eléctrica en funcionamiento.** Las distracciones pueden provocar la pérdida de control.

#### 2) SEGURIDAD ELÉCTRICA

- Los enchufes de la herramienta eléctrica deben adaptarse al tomacorriente. Nunca modifique el enchufe de ninguna manera. No utilice ningún enchufe adaptador con herramientas eléctricas con conexión a tierra.** Los enchufes no modificados y que se adaptan a los tomacorrientes reducirán el riesgo de descarga eléctrica.
- Evite el contacto corporal con superficies con descargas a tierra como, por ejemplo, tuberías, radiadores, cocinas eléctricas y refrigeradores.** Existe mayor riesgo de descarga eléctrica si su cuerpo está puesto a tierra.
- No esponga las herramientas eléctricas a la lluvia o a condiciones de humedad.** Si entra agua a una herramienta eléctrica, aumentará el riesgo de descarga eléctrica.

- d) **No maltrate el cable. Nunca utilice el cable para transportar, tirar o desenchufar la herramienta eléctrica. Mantenga el cable alejado del calor, el aceite, los bordes filosos y las piezas móviles.** Los cables dañados o enredados aumentan el riesgo de descarga eléctrica.
- e) **Al operar una herramienta eléctrica en el exterior, utilice un cable prolongador adecuado para tal uso.** Utilice un cable adecuado para uso en exteriores a fin de reducir el riesgo de descarga eléctrica.
- f) **Si el uso de una herramienta eléctrica en un lugar húmedo es imposible de evitar, utilice un suministro protegido con un interruptor de circuito por falla a tierra (GFCI).** El uso de un GFCI reduce el riesgo de descargas eléctricas.

### 3) SEGURIDAD PERSONAL

- a) **Permanezca alerta, controle lo que está haciendo y utilice el sentido común cuando emplee una herramienta eléctrica. No utilice una herramienta eléctrica si está cansado o bajo el efecto de drogas, alcohol o medicamentos.** Un momento de descuido mientras se opera una herramienta eléctrica puede provocar lesiones personales graves.
- b) **Utilice equipos de protección personal. Siempre utilice protección para los ojos.** En las condiciones adecuadas, el uso de equipos de protección, como máscaras para polvo, calzado de seguridad antideslizante, cascos o protección auditiva, reducirá las lesiones personales.
- c) **Evite el encendido por accidente. Asegúrese de que el interruptor esté en la posición de apagado antes de conectarlo a la fuente de energía o paquete de baterías, o antes de levantar o transportar la herramienta.** Transportar herramientas eléctricas con el dedo apoyado en el interruptor o enchufar herramientas eléctricas con el interruptor en la posición de encendido puede propiciar accidentes.
- d) **Retire la clavija de ajuste o la llave de tuercas antes de encender la herramienta eléctrica.** Una llave de tuercas o una clavija de ajuste que quede conectada a una pieza giratoria de la herramienta eléctrica puede provocar lesiones personales.
- e) **No se estire. Conserve el equilibrio y párese adecuadamente en todo momento.** Esto permite un mejor control de la herramienta eléctrica en situaciones inesperadas.
- f) **Use la vestimenta adecuada. No use ropas holgadas ni joyas. Mantenga el cabello, la ropa y los guantes alejados de las piezas en movimiento.** Las ropas holgadas, las joyas o el cabello largo pueden quedar atrapados en las piezas en movimiento.
- g) **Si se suministran dispositivos para la conexión de accesorios con fines de recolección y extracción de polvo, asegúrese de que estén conectados y que se utilicen correctamente.** El uso de dispositivos de recolección de polvo puede reducir los peligros relacionados con el polvo.

### 4) USO Y MANTENIMIENTO DE LA HERRAMIENTA ELÉCTRICA

- a) **No fuerce la herramienta eléctrica. Utilice la herramienta eléctrica correcta para el trabajo que realizará.** Si se la utiliza a la velocidad para la que fue diseñada, la herramienta eléctrica correcta permite trabajar mejor y de manera más segura.
- b) **No utilice la herramienta eléctrica si no puede encenderla o apagarla con el interruptor.** Toda herramienta eléctrica que no pueda ser controlada mediante el interruptor es peligrosa y debe repararse.
- c) **Desconecte el enchufe de la fuente de energía o el paquete de baterías de la herramienta eléctrica antes de realizar ajustes, cambiar accesorios o almacenar la herramienta eléctrica.** Estas medidas de seguridad preventivas reducen el riesgo de encender la herramienta eléctrica en forma accidental.

- d) **Guarde la herramienta eléctrica que no esté en uso fuera del alcance de los niños y no permita que otras personas no familiarizadas con ella o con estas instrucciones operen la herramienta.** Las herramientas eléctricas son peligrosas si son operadas por usuarios no capacitados.
- e) **Realice el mantenimiento de las herramientas eléctricas. Revise que no haya piezas en movimiento mal alineadas o trabadas, piezas rotas o cualquier otra situación que pueda afectar el funcionamiento de la herramienta eléctrica. Si encuentra daños, haga reparar la herramienta eléctrica antes de utilizarla.** Se producen muchos accidentes a causa de las herramientas eléctricas que carecen de un mantenimiento adecuado.
- f) **Mantenga las herramientas de corte afiladas y limpias.** Las herramientas de corte con mantenimiento adecuado y con los bordes de corte afilados son menos propensas a trabarse y son más fáciles de controlar.
- g) **Utilice la herramienta eléctrica, los accesorios y las brocas de la herramienta, etc. de acuerdo con estas instrucciones y teniendo en cuenta las condiciones de trabajo y el trabajo que debe realizarse.** El uso de la herramienta eléctrica para operaciones diferentes de aquéllas para las que fue diseñada podría originar una situación peligrosa.

#### 5) MANTENIMIENTO

- a) **Solicite a una persona calificada en reparaciones que realice el mantenimiento de su herramienta eléctrica y que sólo utilice piezas de repuesto idénticas.** Esto garantizará la seguridad de la herramienta eléctrica.

### **NORMAS DE SEGURIDAD ESPECÍFICAS ADICIONALES**

#### **NORMAS DE SEGURIDAD ADICIONALES PARA EL DESBASTADOR LAMINAR**

- **Sujete la herramienta eléctrica por superficies de agarre aisladas, porque la cuchilla puede entrar en contacto con su propio cable.** El cortar un cable bajo tensión puede cargar las partes metálicas expuestas de la herramienta eléctrica y producir una descarga eléctrica al operador.
- **Use abrazaderas u otra forma práctica de asegurar y apoyar la pieza de trabajo a una plataforma estable.** El sujetar la pieza de trabajo con la mano o contra su cuerpo no proporciona estabilidad y puede causar una pérdida de control.
- **Siga siempre las recomendaciones de velocidad del fabricante de la broca puesto que algunos diseños de broca requieren velocidades específicas por razones de seguridad o rendimiento.** Si no está seguro de la velocidad adecuada o tiene cualquier tipo de problema, contacte con el fabricante de la broca.
- **NO CORTE METAL.**
- **Mantenga los mangos y las superficies de agarre secos, limpios y sin aceite y grasa.** Así se tendrá un mayor control de la herramienta.
- Sujete bien el desbastador laminar con ambas manos para resistir el momento de arranque.
- **Mantenga las manos alejadas de la zona de corte. No ponga nunca la mano debajo de la pieza de trabajo por ningún motivo.** Mantenga la base del desbastador laminar firmemente en contacto con la pieza de trabajo al cortar. Estas precauciones reducirán el riesgo de lesión corporal.
- **No ponga nunca en marcha la unidad del motor cuando no esté insertada en la base.** El motor no está diseñado para ser sujetado con las manos.

- **Mantenga constante la presión de corte.** No sobrecargue el motor.
- **Compruebe que el cable no se enganche ni impida la operación de desbaste.**
- **Use brocas afiladas.** Las brocas romas pueden hacer que el desbastador laminar se desvíe o se estanque bajo presión.
- **Asegúrese de que la broca esté alejada de la pieza de trabajo antes de poner en marcha el motor.** Si la broca está en contacto con la pieza de trabajo cuando se pone en funcionamiento el motor, podría hacer que el desbastador laminar salte y ocasione daños o lesiones.
- **Desconecte SIEMPRE la herramienta de la fuente de alimentación antes de realizar ajustes o de cambiar brocas.**
- **Mantenga las manos alejadas de la broca cuando el motor esté en funcionamiento para evitar lesiones corporales.**
- **No toque NUNCA la broca inmediatamente después de su uso.** Puede estar extremadamente caliente.
- **Deje espacio bajo la pieza de trabajo para la broca cuando realice cortes con traspaso.**
- **Apriete firmemente la tuerca del collar de sujeción con la llave provista (17 mm) para evitar que la broca se deslice.**
- **No apriete nunca la tuerca del collar sin una broca.**
- **No recomendado para ser utilizado en una mesa de buriladora.**
- **Evite el fresado concurrente (cortar en dirección opuesta a como se muestra en la Figura 8). El fresado concurrente aumenta la posibilidad de pérdida de control, la cual podría provocar lesiones.** Cuando se requiere el fresado concurrente (al invertir la marcha alrededor de una esquina), tenga muchísimo cuidado para mantener el control del desbastador. Realice cortes más pequeños y elimine una cantidad mínima de material en cada pasada.
- **Asegúrese de que el motor se haya detenido por completo antes de soltar el desbastador laminar.** Si la cabeza de la broca sigue girando cuando la herramienta está puesta a un lado, podría causar lesiones o daños.
- **No presione el botón de bloqueo del eje mientras el motor esté en funcionamiento.** El hacerlo puede dañar el bloqueo del eje.
- **No use herramientas diseñadas solamente para CA con un suministro eléctrico de CC.** Aunque pueda parecer que la herramienta funciona, es probable que los componentes eléctricos de la herramienta diseñada para CA fallen y ocasionen un peligro para el operador.
- **Si no puede evitarse cortar en muros existentes u otras zonas ciegas donde puedan existir cables eléctricos, desconecte todos los fusibles o los cortocircuitos que alimentan este lugar de trabajo.**
- **Asegúrese siempre de que la superficie de trabajo no tenga clavos ni objetos extraños.** El cortar sobre un clavo puede hacer que la broca y la herramienta salten y se dañe la broca.
- **No coloque nunca la pieza de trabajo sobre superficies duras como concreto, piedra, etc.** La broca de corte protuberante puede hacer que la herramienta salte.
- **No deje la herramienta en funcionamiento. Utilice la herramienta solamente cuando esté sujetándola con las manos.**
- **Los orificios de ventilación suelen cubrir piezas en movimiento, por lo que también se deben evitar.** Las piezas en movimiento pueden atrapar prendas de vestir sueltas, joyas o el cabello largo.
- **Los hilos del alargador deben ser de un calibre apropiado (AWG o American Wire Gauge) para su seguridad.** Mientras menor sea el calibre del hilo, mayor



la capacidad del cable. Es decir, un hilo calibre 16 tiene mayor capacidad que uno de 18. Un cable de un calibre insuficiente causará una caída en la tensión de la línea dando por resultado una pérdida de energía y sobrecalentamiento. Cuando se utilice más de un alargador para completar el largo total, asegúrese que los hilos de cada alargador tengan el calibre mínimo. La tabla siguiente muestra el tamaño correcto a utilizar, dependiendo de la longitud del cable y del amperaje nominal de la placa de identificación. Si tiene dudas sobre cuál calibre usar, use un calibre mayor. Cuanto más pequeño sea el número del calibre, más resistente será el cable.

Calibre mínimo para cables de alimentación						
Amperaje		Voltios	Largo total del cordón en metros (pies)			
		120 V	7,6 (25)	15,2 (50)	30,5 (100)	45,7 (150)
		240 V	15,2 (50)	30,5 (100)	61,0 (200)	91,4 (300)
Más de	No más de	AWG				
0	6		18	16	16	14
6	10		18	16	14	12
10	12		16	16	14	12
12	16		14	12	No recomendado	

**⚠ AVERTENCIA** Use **SIEMPRE** lentes de seguridad. Los anteojos de diario **NO SON** lentes de seguridad. Utilice además una cubrebocas o mascarilla antipolvo si la operación de corte genera demasiado polvo. **SIEMPRE LLEVE EQUIPO DE SEGURIDAD CERTIFICADO:**

- Protección ocular ANSI Z87.1 (CAN/CSA Z94.3),
- Protección auditiva ANSI S12.6 (S3.19),
- Protección respiratoria NIOSH/OSHA/MSHA.

**⚠ AVERTENCIA** Algunas partículas de polvo generadas al lijar, serrar, esmerilar y taladrar con herramientas eléctricas, así como al realizar otras actividades de construcción, contienen químicos que el Estado de California sabe que pueden producir cáncer, defectos congénitos u otras afecciones reproductivas. Ejemplos de estos químicos son:

- plomo de algunas pinturas en base a plomo,
- polvo de sílice proveniente de ladrillos y cemento y otros productos de albañilería, y
- arsénico y cromo provenientes de madera tratada químicamente.

Su riesgo de exposición a estos químicos varía, dependiendo de la frecuencia con la cual realiza usted este tipo de trabajo. Para reducir su exposición a estas sustancias químicas: trabaje en una zona bien ventilada y llevando equipos de seguridad aprobados, como mascarillas antipolvo especialmente diseñadas para filtrar partículas microscópicas.

- **Evite el contacto prolongado con polvo generado por el lijado, aserrado, pulido, taladrado y otras actividades de construcción. Vista ropas protectoras y lave las áreas de la piel expuestas con agua y jabón.** Si permite que el polvo se introduzca en la boca u ojos o quede sobre la piel, puede favorecer la absorción de productos químicos peligrosos.

**⚠ AVERTENCIA** La utilización de esta herramienta puede generar polvo o dispersarlo, lo que podría causar daños graves y permanentes al sistema respiratorio,

así como otras lesiones. Siempre use protección respiratoria aprobada por NIOSH (Instituto Nacional de Seguridad y Salud en el Trabajo) u OSHA (Administración de Seguridad y Salud en el Trabajo) apropiada para la exposición al polvo. Dirija las partículas en dirección contraria a la cara y el cuerpo.

**⚠ AVERTENCIA** Siempre lleve la debida protección auditiva personal en conformidad con ANSI S12.6 (S3.19) durante el uso de esta herramienta. Bajo algunas condiciones y duraciones de uso, el ruido producido por este producto puede contribuir a la pérdida auditiva.

- La etiqueta de su herramienta puede incluir los siguientes símbolos. A continuación se indican los símbolos y sus definiciones:

V.....voltios	A..... amperios
Hz.....hertz	W..... vatios
min .....minutos	~ o AC..... corriente alterna
≡ o DC ....corriente directa	⎓ o AC/DC... corriente alterna o directa
⚠ .....Construcción de Clase I (tierra)	n ..... velocidad nominal
□ .....Construcción de Clase II (doble aislamiento)	n <sub>o</sub> ..... velocidad sin carga
.../min .....por minuto	⊕ ..... terminal de conexión a tierra
IPM .....impactos por minuto	⚠ ..... símbolo de advertencia de seguridad
sfpm .....pies de superficie por minuto	SPM ..... pasadas por minuto
RPM .....revoluciones por minuto	
BPM .....golpes por minuto	

## ¡CONSERVE ESTAS INSTRUCCIONES!

### MOTOR

Asegúrese de que la fuente de energía concuerde con lo que se indica en la placa. Un descenso en el voltaje de más del 10% producirá una pérdida de potencia y sobrecalentamiento. Todas las herramientas PORTER-CABLE son probadas en fábrica; si esta herramienta no funciona, verifique el suministro eléctrico.

**AVISO** No opere su herramienta con una corriente cuyo voltaje no se esté dentro de los límites correctos. No opere las herramientas con C.A.: sólo con C.D. Operar las herramientas con C.A. puede ocasionar daños graves.

## COMPONENTES (FIG. 1, 2)

**⚠ AVERTENCIA** Nunca modifique la herramienta eléctrica, ni tampoco ninguna de sus piezas. Podría producir lesiones corporales o daños.

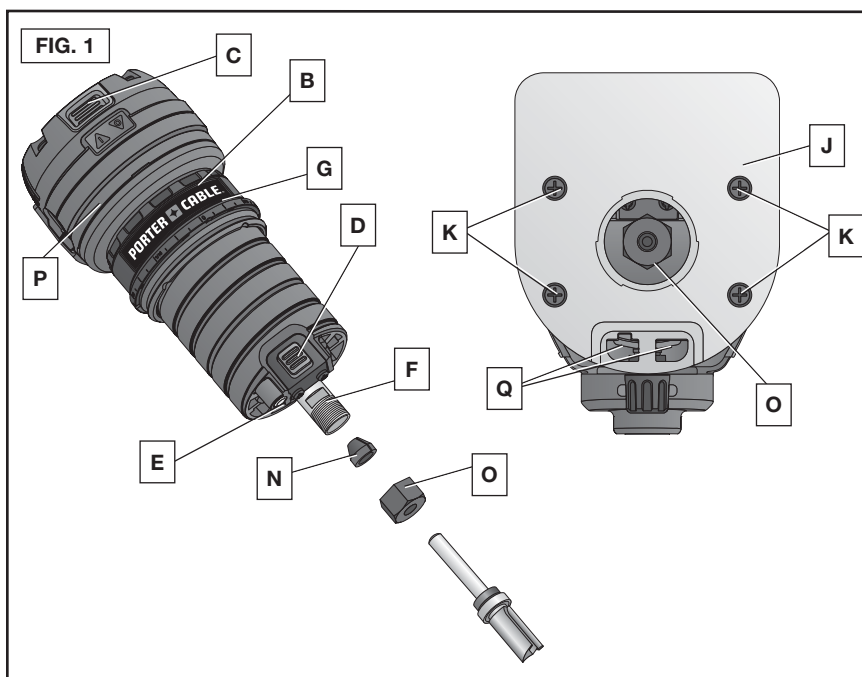
- |                                     |   |
|-------------------------------------|---|
| A. Lengüetas de liberación rápida   | L. Chavetas de guía                             |
| B. Anillo de ajuste de profundidad  | M. Tornillo de ajuste de la palanca de bloqueo  |
| C. Interruptor de encendido/apagado | N. Collar                                       |
| D. Botón del seguro del eje         | O. Tuerca de sujeción                           |
| E. Luz LED                          | P. Unidad del motor                             |
| F. Eje                              | Q. Cojinete de rodillos/ranura de guía de borde |
| G. Escala de micro ajuste           | R. Guía de borde                                |
| H. Palanca de bloqueo               | S. Tornillo de guía                             |
| I. Base                             | T. Llave del eje                                |
| J. Subbase                          |   |
| K. Tornillos de la subbase          |   |

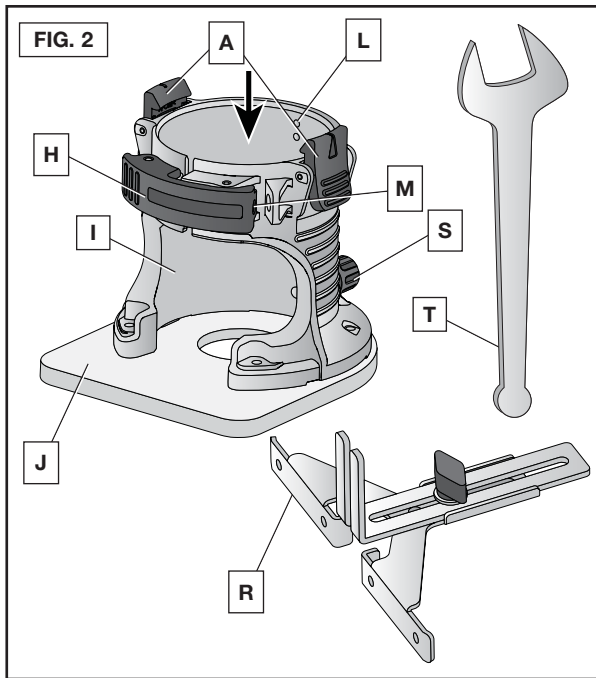
### USO DEBIDO

Este desbastador laminar está diseñado para el desbastado profesional al ras y biselado de plásticos laminados y otros materiales parecidos que tienen un agente de adherencia demasiado duro para ser desbastados con herramientas normales.

**NO** utilice la herramienta en condiciones de humedad o en presencia de líquidos o gases inflamables.

Este desbastador laminar es una herramienta eléctrica profesional. **NO** permita que los niños toquen la herramienta. Si el operador no tiene experiencia operando esta herramienta, su uso deberá ser supervisado.





## OPERACIÓN

**⚠ AVERTENCIA** Para reducir el riesgo de lesiones, apague la unidad y desconéctela de la fuente de alimentación antes de instalar o retirar accesorios, ajustar o cambiar configuraciones o realizar reparaciones. Un arranque accidental podría causar lesiones.

### POSICIÓN ADECUADA DE LAS MANOS (FIG. 6)

**⚠ AVERTENCIA** Para reducir el riesgo de lesión corporal grave, use **SIEMPRE** una posición adecuada de las manos tal y como se muestra.

**⚠ AVERTENCIA** Para reducir el riesgo de lesión corporal grave, sujete **SIEMPRE** firmemente en anticipación de una reacción repentina.

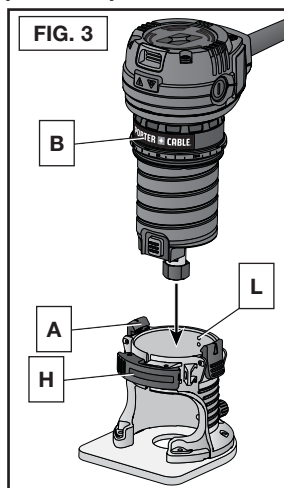
Para tener una posición adecuada de las manos, ponga una mano en la base del motor y la otra en la tapa del motor.

## INSERCIÓN DEL MOTOR EN UNA BASE FIJA (FIG. 1-3)

1. Abra la palanca de bloqueo (H) en la base.
2. Si el anillo de ajuste de profundidad (B) no está en el motor, enrosque dicho anillo de ajuste de profundidad (B) en el motor hasta que el anillo esté posicionado como se muestra. Inserte el motor en la base alineando la ranura de la parte trasera del motor con las chavetas de guía (L) de la base. Deslice el motor hacia abajo hasta que el anillo de ajuste de profundidad (B) encaje en su sitio.
3. Ajuste la profundidad del corte girando el anillo de ajuste de profundidad (B). Consulte la sección **Ajuste de la profundidad del corte**.
4. Cierre la palanca de bloqueo (H) cuando se obtenga la profundidad deseada. Para obtener información sobre cómo fijar la profundidad de corte, consulte la sección **Ajuste de la profundidad del corte**.

## LIBERACIÓN RÁPIDA DEL MOTOR (FIG. 2)

1. Abra la palanca de bloqueo (H) en la base.
2. Agarre la base con una mano, presionando ambas lengüetas de liberación rápida (A).
3. Con la otra mano, agarre el motor y tire de él para sacarlo de la base.



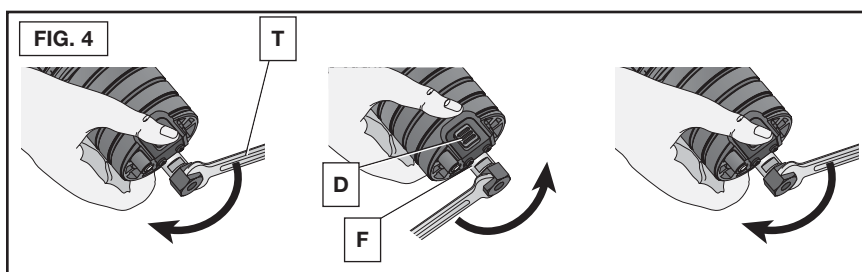
## INSTALACIÓN Y EXTRACCIÓN DE LA BROCA (FIG. 4)

### SELECCIÓN DE LA BROCA

**⚠ AVERTENCIA** Peligro de proyectil. Use solamente brocas con vástagos de 1/4" (6.4 mm). Las brocas con vástagos más pequeños no estarán bien fijadas y pueden soltarse durante el funcionamiento.

Estos desbastadores laminares están equipados con un collar de 1/4" (6,4 mm) de diámetro que admite brocas con vástagos de un diámetro de 1/4" (6,4 mm). Las brocas no están incluidas pero están disponibles como accesorio.

**⚠ AVERTENCIA** No utilice brocas de un diámetro superior a 1" (25.4 mm) en esta herramienta.



### INSTALACIÓN DE LA BROCA

NOTA: El vástago de la broca y el portabrocas deben estar limpios y sin polvo, residuos de madera y grasa antes del ensamblaje.

1. Saque la unidad del motor de la base. Consulte la sección **Liberación rápida del motor** (si es necesario).
2. Limpie e inserte el vástago de la broca en el collar de sujeción hasta que el extremo del vástago toque fondo. Luego retire la broca aproximadamente 1/16" (1.6 mm).

3. Apriete y mantenga presionado el botón del seguro del eje (D) Apriete bien la tuerca de fijación con la llave de extremo abierto de 17 mm suministrada.

**NOTA:** Como alternativa al botón de bloqueo del eje, puede usarse una llave fina de 10 mm en la parte plana del eje (T).

Para extraer la broca, invierta el procedimiento. Si la broca no se extrae fácilmente, golpee ligeramente el vástago de la broca con una llave.

### **COLLARES DE SUJECIÓN (FIG. 1)**

**NOTA:** No apriete nunca la tuerca del collar de sujeción (O) sin instalar primero una broca en ella. El apretar una tuerca del collar de sujeción vacía, incluso a mano, puede dañar el collar de sujeción (N).

### **AJUSTE DE LA PALANCA DE BLOQUEO (FIG. 2)**

No se debería utilizar fuerza excesiva para sujetar la palanca de bloqueo. El uso de fuerza excesiva puede dañar la base.

Cuando la palanca de bloqueo esté fija el motor no debe moverse en la base.

El ajuste es necesario si la palanca de bloqueo no sujeta sin una fuerza excesiva o si el motor se mueve en la base después de la sujeción.

### **AJUSTE DE LA FUERZA DE SUJECIÓN DE LA PALANCA DE BLOQUEO**

1. Abra la palanca de bloqueo (H).
2. Utilizando una llave hexagonal de 2.5 mm (no incluida) gire el tornillo de ajuste de la palanca de bloqueo (M) en pequeños incrementos.  
El girar el tornillo en sentido horario aprieta la palanca, mientras que girar el tornillo en sentido antihorario afloja la palanca.

### **PARA CENTRAR LA SUB-BASE (FIG. 1)**

Si usted necesita ajustar, cambiar o reemplazar la sub-base, se recomienda una herramienta de centrado; refiérase a la sección de **Accesorios**. La herramienta de centrado se compone de un cono y un espigo.

#### **AJUSTE DE LA SUB-BASE**

1. Afloje pero no quite los tornillos de la sub-base (K) de tal modo que la sub-base se mueva libremente.
2. Inserte el espigo en la boquilla y apriete la tuerca de la boquilla.
3. Inserte el motor en la base y fije la palanca de bloqueo sobre la base.
4. Coloque una herramienta de centrado con cono, disponible como accesorio por un costo adicional, en el perno y empuje hacia abajo ligeramente en el cono hasta que se pare. Así se centrará la sub-base..
5. Mientras mantiene la presión sobre el cono, apriete los tornillos de la sub-base (K).

### **PARA CONECTAR A LA FUENTE DE ALIMENTACIÓN**

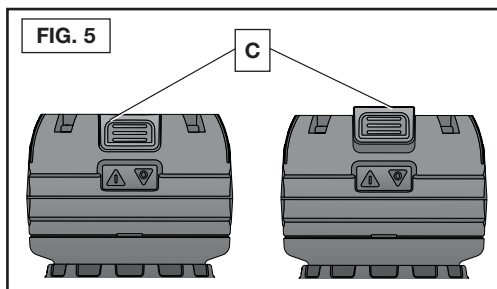
**⚠ ATENCIÓN** Antes de conectar la herramienta a la fuente de alimentación, compruebe que el interruptor está en la posición "OFF". Además, verifique el circuito de energía para constatar que es la misma que la indicada en la placa de especificaciones de la herramienta.

## ARRANQUE Y PARADA DEL MOTOR (FIG. 1, 5)

**⚠ ATENCIÓN** Antes de dar arranque a la herramienta, despeje la zona de trabajo de todo objeto extraño. Mantenga también un agarre firme de la herramienta para resistir el par de arranque.

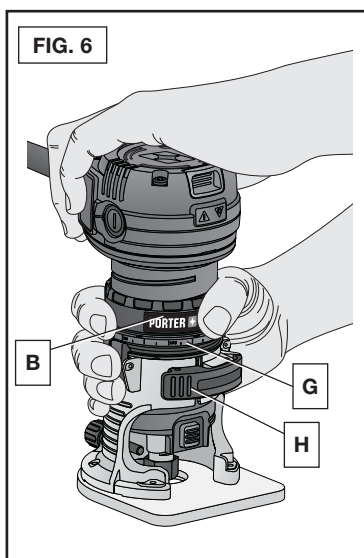
**⚠ ATENCIÓN** Para evitar lesiones personales y/o daños al trabajo terminado, siempre permita a la unidad motriz el **DETENERSE COMPLETAMENTE** antes de separarse de la herramienta.

Para encender la unidad, tire del interruptor de encendido/apagado (C) hacia arriba. Para apagar la unidad, vuelva a apretar el interruptor hacia abajo en la caja protectora del motor. Consulte la Figura 5.



## AJUSTE DE LA PROFUNDIDAD DEL CORTE (FIG. 6)

1. Seleccione e instale la broca deseada. Consulte la sección **Instalación y extracción de la broca**.
2. Ensamble la base al motor, asegurándose de que la base esté fijada al anillo de ajuste de profundidad. Coloque el desbastador laminar sobre la pieza de trabajo.
3. Abra la palanca de bloqueo (H) y gire el anillo de ajuste de profundidad (B) hasta que la broca toque ligeramente la pieza de trabajo. Al girar el anillo en sentido horario se eleva el cabezal de corte mientras que al girarlo en sentido antihorario se baja el cabezal de corte.
4. Gire la escala de microajuste (G) en sentido horario hasta que el 0 en la escala se alinee con el indicador de la lengüeta de liberación rápida (A).
5. Gire el anillo de ajuste de profundidad hasta que el indicador se alinee con la marca de corte de la profundidad deseada en la escala de microajuste.



**NOTA:** Cada marca en la escala ajustable representa un cambio de profundidad de 1/64" o 0.015" (0.4 mm) y una vuelta completa (360°) del anillo cambia la profundidad en 0.5" (12.7 mm).

6. Cierre la palanca de bloqueo (H) para bloquear la base.

## UTILIZACIÓN DE UNA GUÍA DE BORDE (FIG. 2)

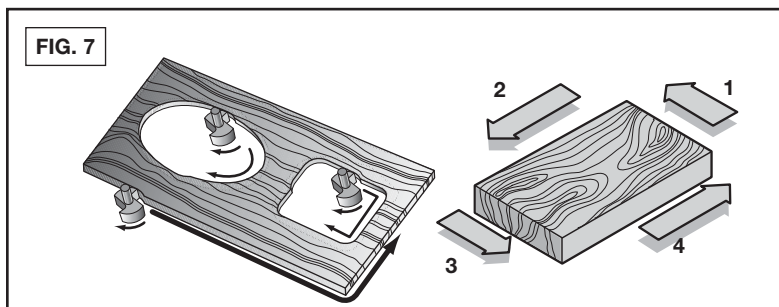
Se incluye una guía de borde con su desbastador laminar global para utilizarse con brocas no dirigidas en aplicaciones curvas o rectas.

1. Extraiga el tornillo (S) en la parte de atrás de la base (I).
2. Deslice la guía de borde en la ranura de la guía de borde (Q) en la parte de atrás de la sub-base (J). Apriete los accesorios de montaje.

**NOTA:** Para sacar la guía de borde, invierta el procedimiento anterior. Después de extraer la guía de borde, vuelva siempre a poner el tornillo (S) en el hueco de almacenamiento en la parte de atrás de la base para evitar que se pierda.

## DIRECCIÓN DE LA ALIMENTACIÓN (FIG. 7)

La dirección de la alimentación es muy importante al desbastar y puede marcar la diferencia entre un trabajo exitoso y un proyecto estropeado. Las cifras muestran la dirección apropiada de alimentación para algunos cortes típicos. Una regla general a seguir es mover el desbastador laminar en sentido antihorario en un corte exterior y en sentido horario en un corte interior.



### PARA DAR FORMA A LOS BORDES DE UNA PIEZA

1. Dé forma al extremo rugoso, de izquierda a derecha
2. Dé forma a la cara lisa moviendo de izquierda a derecha
3. Corte el otro extremo rugoso
4. Termine con el extremo liso que falta

**NOTA:** Hacer varias pasadas suaves en lugar de una sola pasada fuerte para lograr un trabajo de mejor calidad.

### SOLUCIÓN DE PROBLEMAS

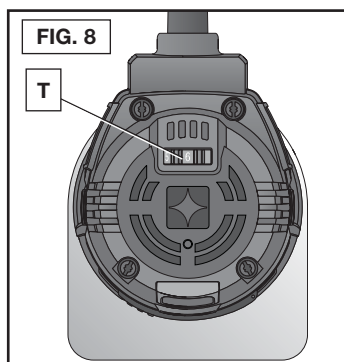
Para obtener ayuda con su herramienta, visite nuestro sitio Web en [www.dewalt.com](http://www.dewalt.com) o llame al 1-800-4-DEWALT (1-800-433-9258).

### CONTROL DE VELOCIDAD VARIABLE (FIG. 8) (PCE6435 SOLAMENTE)

Este desbastador laminar está equipado con un selector de velocidad variable (T) con un número infinito de velocidades entre 16,000 y 30,000 RPM. Ajuste la velocidad girando el selector de velocidad variable (T).

**AVISO** En funcionamiento a velocidad baja y media, el control de velocidad evita que disminuya la velocidad del motor. Si espera a oír un cambio de velocidad y continúa cargando el motor, podría dañar el motor sobrecalentándolo. Reduzca la profundidad del corte y/o disminuya la velocidad de alimentación para evitar producir daños a la herramienta.

El desbastador laminar está equipado con un dispositivo electrónico para controlar y mantener la velocidad de la herramienta al cortar.





## TABLA DE SELECCIÓN DE VELOCIDAD

POSICIÓN DEL SELECTOR	RPM APROXIMADAS
1	16,000
2	19,300
3	21,400
4	23,700
5	26,400
6	30,000

Las velocidades que aparecen en esta tabla son aproximadas y se ofrecen solamente a título de referencia. Su desbastador laminar quizás no produzca exactamente la velocidad indicada para la posición del selector.

**⚠ AVERTENCIA** Siga siempre las recomendaciones de velocidad del fabricante de la broca puesto que algunos diseños de broca requieren velocidades específicas por razones de seguridad o rendimiento.

Si no está seguro de la velocidad adecuada o tiene cualquier tipo de problema, contacte con el fabricante de la broca.

## MANTENIMIENTO

**⚠ AVERTENCIA** Para reducir el riesgo de lesiones, apague la unidad y desconéctela de la fuente de alimentación antes de instalar o retirar accesorios, ajustar o cambiar configuraciones o realizar reparaciones. Un arranque accidental podría causar lesiones.

### REPARACIONES

Para obtener ayuda con su herramienta, visite nuestro sitio Web [www.portercable.com](http://www.portercable.com) y obtenga una lista de los centros de mantenimiento, o llame al Centro de atención al cliente de PORTER-CABLE al (888) 848-5175.

### LIMPIEZA

**⚠ AVERTENCIA** Se sugiere, como procedimiento de mantenimiento, soplar aire comprimido seco y limpio, periódicamente, para sacar el polvo y fragmentos de la caja del motor. Para reducir el riesgo de lesión personal grave, **SIEMPRE** use lentes de seguridad que cumplan con el ANSI Z87.1 al hacer uso del aire comprimido.

**⚠ AVERTENCIA** Al realizar la limpieza, use únicamente jabón suave y un paño húmedo en las partes plásticas. Muchos limpiadores para uso doméstico pueden contener sustancias químicas que podrían dañar el plástico considerablemente. Tampoco utilice gasolina, aguarrás, barniz o solvente, líquidos para limpieza en seco o productos similares, que podrían dañar seriamente las piezas de plástico. **NUNCA** permita que penetre líquido dentro de la herramienta y **NUNCA** sumerja las piezas de la herramienta en un líquido.

## SERVICIO

### PIEZAS DE REPUESTO

Utilice sólo piezas de repuesto idénticas. Para obtener una lista de piezas o para

solicitar piezas, visite nuestro sitio Web en [servicenet.portercable.com](http://servicenet.portercable.com). También puede solicitar piezas en nuestro centro más cercano, o llamando a nuestro Centro de atención al cliente al (888) 848-5175.

## **MANTENIMIENTO Y REPARACIONES**

Con el paso del tiempo, todas las herramientas de calidad requieren mantenimiento o reemplazo de las piezas. Para obtener información acerca de PORTER-CABLE, sus sucursales o un Centro de mantenimiento con garantía autorizado, visite nuestro sitio Web [www.portercable.com](http://www.portercable.com) o llame a nuestro Centro de atención al cliente al (888) 848-5175. Todas las reparaciones realizadas en nuestros centros de mantenimiento están completamente garantizadas en relación con los materiales defectuosos y la mano de obra. No podemos otorgar garantías en relación con las reparaciones ni los intentos de reparación de otras personas.

También puede escribirnos solicitando información a PORTER-CABLE, 4825 Highway 45 North, Jackson, Tennessee 38305; referencia: Mantenimiento de productos. Asegúrese de incluir toda la información mencionada en la placa de la herramienta (número de modelo, tipo, número de serie, etc.)

## **REPARACIONES**

Para asegurar la SEGURIDAD y la CONFIABILIDAD del producto, las reparaciones, el mantenimiento y los ajustes deben (inclusive inspección y cambio de carbones) ser realizados en un centro de mantenimiento en la fábrica PORTER-CABLE, en un centro de mantenimiento autorizado PORTER-CABLE u por otro personal de mantenimiento calificado. Utilice siempre piezas de repuesto idénticas.

### **PARA REPARACIÓN Y SERVICIO DE SUS HERRAMIENTAS ELÉCTRICAS, FAVOR DE DIRIGIRSE AL CENTRO DE SERVICIO MÁS CERCANO**

#### **CULIACAN, SIN**

Blvd.Emiliano Zapata 5400-1 Poniente  
Col. San Rafael (667) 717 89 99

#### **GUADALAJARA, JAL**

Av. La Paz #1779 - Col. Americana Sector Juárez (33) 3825 6978

#### **MEXICO, D.F.**

Eje Central Lázaro Cárdenas No. 18  
Local D, Col. Obrera (55) 5588 9377

#### **MERIDA, YUC**

Calle 63 #459-A - Col. Centro (999) 928 5038

#### **MONTERREY, N.L.**

Av. Francisco I. Madero 831 Poniente - Col. Centro (818) 375 23 13

#### **PUEBLA, PUE**

17 Norte #205 - Col. Centro (222) 246 3714

#### **QUERETARO, QRO**

Av. San Roque 274 - Col. San Gregorio (442) 2 17 63 14

#### **SAN LUIS POTOSI, SLP**

Av. Universidad 1525 - Col. San Luis (444) 814 2383

#### **TORREON, COAH**

Blvd. Independencia, 96 Pte. - Col. Centro (871) 716 5265

#### **VERACRUZ, VER**

Prolongación Díaz Mirón #4280 - Col. Remes (229) 921 7016

#### **VILLAHERMOSA, TAB**

Constitución 516-A - Col. Centro (993) 312 5111

### **PARA OTRAS LOCALIDADES:**

Si se encuentra en México, por favor llame al (55) 5326 7100

Si se encuentra en U.S., por favor llame al  
(888) 848-5175

## PÓLIZA DE GARANTÍA

IDENTIFICACIÓN DEL PRODUCTO:

Sello o firma del Distribuidor.

Nombre del producto: \_\_\_\_\_

Mod./Cat.: \_\_\_\_\_ Marca: \_\_\_\_\_

Núm. de serie: \_\_\_\_\_

(Datos para ser llenados por el distribuidor)

Fecha de compra y/o entrega del producto: \_\_\_\_\_

Nombre y domicilio del distribuidor donde se adquirió el producto:

Este producto está garantizado por un año a partir de la fecha de entrega, contra cualquier defecto en su funcionamiento, así como en materiales y mano de obra empleados para su fabricación. Nuestra garantía incluye la reparación o reposición del producto y/o componentes sin cargo alguno para el cliente, incluyendo mano de obra, así como los gastos de transportación razonablemente erogados derivados del cumplimiento de este certificado.

Para hacer efectiva esta garantía deberá presentar su herramienta y esta póliza sellada por el establecimiento comercial donde se adquirió el producto, de no contar con ésta, bastará la factura de compra.

### EXCEPCIONES

Esta garantía no será válida en los siguientes casos:

- Cuando el producto se hubiese utilizado en condiciones distintas a las normales;
- Cuando el producto no hubiese sido operado de acuerdo con el instructivo de uso que se acompaña;
- Cuando el producto hubiese sido alterado o reparado por personas distintas a las enlistadas al final de este certificado.

Anexo encontrará una relación de sucursales de servicio de fábrica, centros de servicio autorizados y franquiciados en la República Mexicana, donde podrá hacer efectiva su garantía y adquirir partes, refacciones y accesorios originales.

## ACCESORIOS

Su proveedor de productos PORTER-CABLE, los Centros de mantenimiento de fábrica de PORTER-CABLE y los Centros de mantenimiento autorizados de PORTER-CABLE pueden suministrarle una línea completa de accesorios. Para obtener un catálogo o para conocer el nombre de su proveedor más cercano, visite nuestro sitio Web [www.portercable.com](http://www.portercable.com).

**▲ AVERTENCIA** Debido a que no se han probado con este producto otros accesorios que no sean los que ofrece PORTER-CABLE, el uso de tales accesorios puede ser peligroso. Para un funcionamiento seguro, con este producto sólo deben utilizarse los accesorios recomendados por PORTER-CABLE.

## GARANTÍA LIMITADA POR TRES AÑOS

**PORTER-CABLE** reparará, sin cargo, cualquier falla que surja de defectos en el material o la fabricación del producto, por hasta tres años a contar de la fecha de compra. Esta garantía no cubre fallas de las piezas causadas por su desgaste normal o abuso a la herramienta. Para mayores detalles sobre la cobertura de la garantía

e información acerca de reparaciones realizadas bajo garantía, visítenos en [www.portercable.com](http://www.portercable.com) o diríjase al centro de servicio más cercano. Esta garantía no aplica a accesorios o a daños causados por reparaciones realizadas o intentadas por terceros. Esta garantía le otorga derechos legales específicos, además de los cuales puede tener otros dependiendo del estado o provincia en que se encuentre.

Además de la garantía, las herramientas PORTER-CABLE están cubiertas por:

**1 AÑO DE SERVICIO GRATUITO:** PORTER-CABLE mantendrá la herramienta y reemplazará las piezas gastadas por su uso normal, sin cobro, en cualquier momento durante un año a contar de la fecha de compra.

**GARANTÍA DE REEMBOLSO DE SU DINERO POR 90 DÍAS:** Si no está completamente satisfecho con el desempeño de su máquina herramienta o clavadora PORTER-CABLE, cualquiera sea el motivo, podrá devolverlo hasta 90 días de la fecha de compra con su recibo y obtener el reembolso completo de su dinero – sin necesidad de responder a ninguna pregunta.

**AMÉRICA LATINA:** Esta garantía no se aplica a los productos que se venden en América Latina. Para los productos que se venden en América Latina, debe consultar la información de la garantía específica del país que viene en el empaque, llamar a la compañía local o visitar el sitio Web a fin de obtener esa información.

Para registrar la herramienta para obtener el mantenimiento cubierto por la garantía, visite nuestro sitio web en [www.portercable.com](http://www.portercable.com).

## REEMPLAZO DE LAS ETIQUETAS DE ADVERTENCIA

Si sus etiquetas de advertencia se vuelven ilegibles o faltan, llame al (888) 848-5175 para que se las reemplacen gratuitamente.

<p><b>ADVERTENCIA</b></p>	<p>PARA EL MANEJO SEGURO LEA EL MANUAL DE INSTRUCCIONES. SIEMPRE SE DEBERÁ LLEVAR LA PROTECCIÓN APROPIADA PARA LA VISTA Y PARA LAS VÍAS RESPIRATORIAS.</p>	<p><b>ADVERTENCIA</b></p>	<p>PARA EL MANEJO SEGURO LEA EL MANUAL DE INSTRUCCIONES. SIEMPRE SE DEBERÁ LLEVAR LA PROTECCIÓN APROPIADA PARA LA VISTA Y PARA LAS VÍAS RESPIRATORIAS.</p>
<p><b>AVERTISSEMENT</b></p>	<p>À TITRE PRÉVENTIF, LIRE LE GUIDE. IL FAUT TOUJOURS PORTER DE L'ÉQUIPEMENT DE PROTECTION OCULAIRE ET RESPIRATOIRE APPROPRIÉ.</p>	<p><b>AVERTISSEMENT</b></p>	<p>À TITRE PRÉVENTIF, LIRE LE GUIDE. IL FAUT TOUJOURS PORTER DE L'ÉQUIPEMENT DE PROTECTION OCULAIRE ET RESPIRATOIRE APPROPRIÉ.</p>

**WARNING**

TO REDUCE THE RISK OF  
INJURY, USER MUST READ  
INSTRUCTION MANUAL.  
ALWAYS USE PROPER EYE  
AND RESPIRATORY  
PROTECTION.  
AVERTISSEMENT: À  
TITRE PRÉVENTIF, LIRE LE  
GUIDE.

PORTER-CABLE  
JACKSON, TENNESSEE 38306 U.S.A.  
MADE IN CHINA

**PCEXXX**  
TRIM ROUTER

SER.  
[REDACTED]

### ESPECIFICACIONES

Tension de alimentación: 120V~  
Consumo de corriente: 4.5 A  
Frecuencia de operación: 60HZ  
Velocidad sin carga: 31,000 RPM

### PCE6430

### ESPECIFICACIONES

Tension de alimentación: 120V~  
Consumo de corriente: 5.6 A  
Frecuencia de operación: 60HZ  
Velocidad sin carga: 16,000-35,000

### PCE6435

SOLAMENTE PARA PROPÓSITO DE MÉXICO:  
IMPORTADO POR: PORTER-CABLE S.A. DE C.V.  
AVENIDA ANTONIO DOVALI JAIME, # 70 TORRE B PISO 9  
COLONIA LA FE, SANTA FÉ  
CÓDIGO POSTAL : 01210  
DELEGACIÓN ALVARO OBREGÓN  
MÉXICO D.F.  
TEL. (52) 555-326-7100  
R.F.C.: BDE810626-1W7

**Para servicio y ventas consulte  
"HERRAMIENTAS ELECTRICAS"  
en la sección amarilla.**







The following are PORTER-CABLE trademarks for one or more power tools and accessories: a gray and black color scheme; a ✦ “four point star” design; and three contrasting/outlined longitudinal stripes.

