

*If you have questions or comments, contact us.
Pour toute question ou tout commentaire, nous contacter.
Si tiene dudas o comentarios, contáctenos.*

1-888-895-4549 • www.DEWALT.com

INSTRUCTION MANUAL
GUIDE D'UTILISATION
MANUAL DE INSTRUCCIONES

INSTRUCTIVO DE OPERACIÓN, CENTROS DE SERVICIO Y
PÓLIZA DE GARANTÍA. **ADVERTENCIA:** LÉASE ESTE
INSTRUCTIVO ANTES DE USAR EL PRODUCTO.

DEWALT®

DXCMH1393075

Two Stage, Belt Drive, Gasoline Driven Air Compressors

Les compresseurs d'air à deux étages, la courroie d'entraînement, entraîné par un moteur essence

Compresores motor de gasolina impulsado de aire, dos etapa y accionamiento por correa

Air Compressor

- A. Pump Air Intake Filter
- B. Engine Air Filter
- C. Engine START/RUN/OFF Switch
- D. Air Tank Pressure Gauge
- E. Air Outlet
- F. Unloader Valve
- G. Safety Valve
- H. Air Tank Drain Valve
- I. Pump Oil Fill Plug
- J. Pump Oil Drain Plug
- K. Fixed Throttle
- L. Choke Control
- M. Fuel Valve Lever
- N. Starter Grip
- O. Check Valve

Pump Specifications

2 Cylinder
 Two Stage
 Oil Lubricated
 Cast iron crankcase, cylinder, and head
 Weight: 136 lbs. (62 kg.)
 Oil Capacity: 53 oz. (1567 mL)

Engine Specifications

Honda 389 cc
 Internal Combustion
 4-stroke
 High RPM 3600

Specifications

| | |
|---------------|---------------------|
| MODEL | DXCMH1393075 |
| WEIGHT | 497 lbs. (225,4 kg) |
| HEIGHT | 46.4" (1178.6 mm) |
| WIDTH | 19.5" (495.3 mm) |

| | |
|----------------------------------|---------------------------|
| MODEL | DXCMH1393075 |
| LENGTH | 42" (1066.8 mm) |
| AIR TANK CAPACITY | 30 gallons (113,6 liters) |
| APPROX. BLOW OFF PRESSURE | 175 psi |

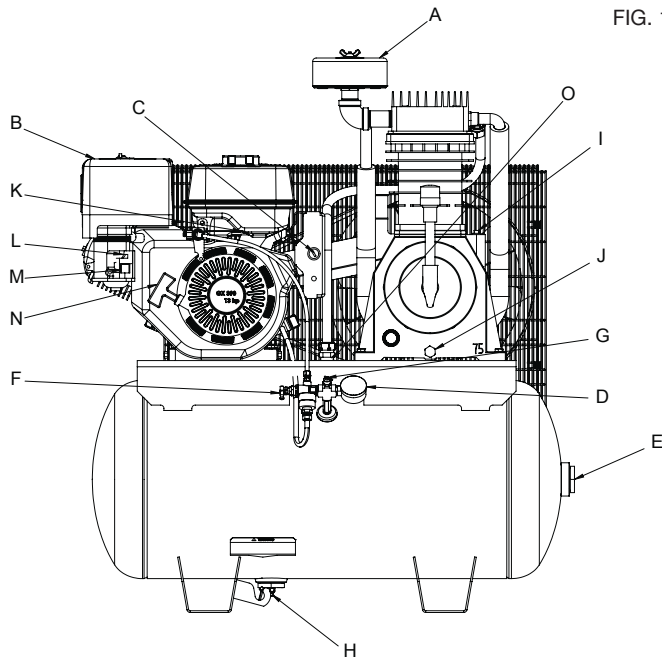
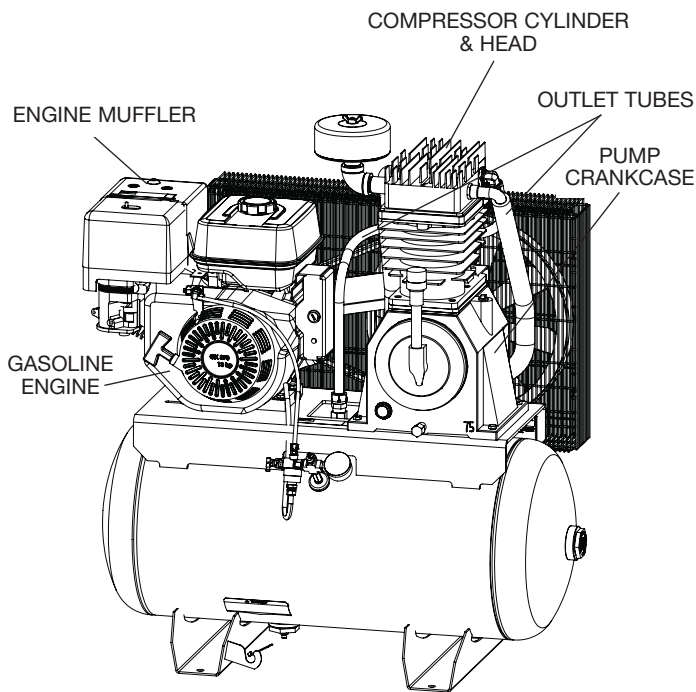


FIG. 1

Hot Surfaces

FIG. 2



Definitions: Safety Guidelines

The definitions below describe the level of severity for each signal word. Please read the manual and pay attention to these symbols.

▲ DANGER: Indicates an imminently hazardous situation which, if not avoided, will result in death or serious injury.

▲ WARNING: Indicates a potentially hazardous situation which, if not avoided, could result in death or serious injury.

▲ CAUTION: Indicates a potentially hazardous situation which, if not avoided, may result in minor or moderate injury.

NOTICE: Indicates a practice not related to personal injury which, if not avoided, may result in property damage.

IF YOU HAVE ANY QUESTIONS OR COMMENTS ABOUT THIS OR ANY DEWALT TOOL, CALL US TOLL FREE AT: 1-888-895-4549

Important Safety Instructions

▲ DANGER: Carbon Monoxide. Using an engine indoors can kill you in minutes. Engine exhaust contains high levels of carbon monoxide (CO), a poisonous gas you cannot see or smell. You may be breathing CO even if you DO NOT smell engine exhaust.

- **NEVER** use an engine inside homes, garages, crawlspaces, or other partly enclosed areas. Deadly levels of carbon monoxide can build up in these areas. Using a fan or opening windows and doors does **NOT** supply enough fresh air.
- **ONLY** use outdoors and far away from open windows, doors and vents. These openings can pull in engine exhaust.

- Even when the engine is used correctly, CO may leak into your home. **ALWAYS** use a battery-powered or battery backup CO alarm (not supplied) in the home. **Read and follow all directions for CO alarm before using.** If you start to feel sick, dizzy or weak at anytime, move to fresh air immediately. See a doctor. You could have carbon monoxide poisoning.

⚠ WARNING: Do not operate this unit until you read this instruction manual and the engine instruction manual for safety, operation and maintenance instructions.

⚠ WARNING: This product may not be equipped with a spark-arresting muffler. If the product is not equipped and will be used around flammable materials or on land covered with materials such as agricultural crops, forest, brush, grass or other similar items, then an approved spark arrester must be installed and is legally required in the state of California. It is a violation of California statutes section 130050 and/or sections 4442 and 4443 of the California Public Resources Code, unless the engine is equipped with a spark arrester, as defined in section 4442, and maintained in effective working order. Spark arresters are also required on some U.S. Forest Service land and may also be legally required under other statutes and ordinances.

⚠ WARNING: CONTAINS LEAD. May be harmful if eaten or chewed. May generate dust containing lead. Wash hands after use. Keep out of reach of children.

⚠ WARNING: This product can expose you to chemicals including Lead, which is known to the State of California to cause cancer and birth defects or other reproductive harm. For more information go to www.P65Warnings.ca.gov.

SAVE THESE INSTRUCTIONS



⚠ DANGER: RISK OF EXPLOSION OR FIRE

WHAT CAN HAPPEN

- Spilled gasoline and it's vapors can become ignited from cigarette sparks, electrical arcing, exhaust gases and hot engine components such as the muffler.
- Heat will expand fuel in the tank which could result in spillage and possible fire explosion.

HOW TO PREVENT IT

- Shut off engine and allow it to cool before adding fuel to the tank.
- Use care in filling tank to avoid spilling fuel. Move unit away from fueling area before starting engine.
- Keep maximum fuel level 1/2" (12.7 mm) below bottom of filler neck to allow for expansion.

- **Combustible materials which come into contact with hot engine parts can become ignited.**
- Add fuel outdoors in a well ventilated area. Make sure there are no sources of ignition, such as cigarettes near refueling location.
- Operate compressor in a clean, dry, well ventilated area a minimum of 48" (1.22 m) from any building, object or wall. Do not operate unit indoors or in any confined area.
- Operate compressor in an open area away from dry brush, weeds or other combustible materials.
- Store fuel in an OSHA-approved container, in a secure location away from work area.
- Always remain in attendance with the product when it is operating.
- Improperly stored fuel could lead to accidental ignition. Fuel improperly secured could get into the hands of children or other unqualified persons.
- **Unattended operation of this product could result in personal injury or property damage. To reduce the risk of fire, do not allow the compressor to operate unattended.**



⚠ DANGER: RISK TO BREATHING (ASPHYXIATION)

WHAT CAN HAPPEN

- Breathing exhaust fumes will cause serious injury or death! Engine exhaust contains carbon monoxide, an odorless and deadly gas.
- The compressed air directly from your compressor is not safe for breathing. The air stream may contain carbon monoxide, toxic vapors, or solid particles from the air tank. Breathing these contaminants can cause serious injury or death.

HOW TO PREVENT IT

- Always operate air compressor outside in a clean, well ventilated area. Avoid enclosed areas such as garages, basements, storage sheds, which lack a steady exchange of air. Keep children, pets and others away from area of operation.
- Never use air obtained directly from the compressor to supply air for human consumption. The compressor is not equipped with suitable filters and in-line safety equipment for human consumption.

- Exposure to chemicals in dust created by power sanding, sawing, grinding, drilling and other construction activities may be harmful.
- Sprayed materials such as paint, paint solvents, paint remover, insecticides, weed killers, may contain harmful vapors and poisons.
- Work in an area with good cross ventilation. Read and follow the safety instructions provided on the label or safety data sheets for the materials you are spraying. Always use certified safety equipment: NIOSH/OSHA respiratory protection or properly fitting face mask designed for use with your specific application.



▲ DANGER: RISK OF BURSTING

Air Tank: On February 26, 2002, the U.S. Consumer Product Safety Commission published Release # 02-108 concerning air compressor tank safety:

Air compressor receiver tanks do not have an infinite life. Tank life is dependent upon several factors, some of which include operating conditions, ambient conditions, proper installations, field modifications, and the level of maintenance. The exact effect of these factors on air receiver life is difficult to predict.

If proper maintenance procedures are not followed, internal corrosion to the inner wall of the air receiver tank can cause the air tank to unexpectedly rupture allowing pressurized air to suddenly and forcefully escape, posing risk of injury to consumers.

Your compressor air tank must be removed from service by the end of the year shown on your tank warning label.

The following conditions could lead to a weakening of the air tank, and result in a violent air tank explosion:

WHAT CAN HAPPEN

- Failure to properly drain condensed water from air tank, causing rust and thinning of the steel air tank.
- Modifications or attempted repairs to the air tank.
- Unauthorized modifications to the unloader valve, safety valve, or any other components which control air tank pressure.
- Excessive vibration can weaken the air tank and cause rupture or explosion. Excessive vibration will occur if the compressor is not properly mounted or if engine operates above recommended RPM.

HOW TO PREVENT IT

- Drain air tank daily or after each use. If air tank develops a leak, replace it immediately with a new air tank or replace the entire compressor.
- Never drill into, weld or make any modifications to the air tank or its attachments. Never attempt to repair a damaged or leaking air tank. Replace with a new air tank.
- The air tank is designed to withstand specific operating pressures. Never make adjustments or parts substitutions to alter the factory set operating pressures.
- Do not remove the stiffener bar connecting the compressor pump to the engine, except to adjust belt tension. Then securely tighten the stiffener bar bolts. This bar controls unit vibration.

Attachments & Accessories:

- Exceeding the pressure rating of air tools, spray guns, air operated accessories, tires and other inflatables can cause them to explode or fly apart, and could result in serious injury.
- Follow the equipment manufacturers recommendation and never exceed the maximum allowable pressure rating of attachments. Never use compressor to inflate small low pressure objects such as children's toys, footballs, basketballs, etc.

Tires:

- Over inflation of tires could result in serious injury and property damage.
 - Use a tire pressure gauge to check the tires pressure before each use and while inflating tires; see the tire sidewall for the correct tire pressure.
- NOTE: Air tanks, compressors and similar equipment used to inflate tires can fill small tires very rapidly. Adjust pressure regulator on air supply to no more than the rating of the tire pressure. Add air in small increments and frequently use the tire gauge to prevent over inflation.



⚠ DANGER: RISK OF INJURY OR PROPERTY DAMAGE WHEN TRANSPORTING OR STORING

WHAT CAN HAPPEN

- Oil can leak or spill and could result in fire or breathing hazard; serious injury or death can result. Oil leaks will damage carpet, paint or other surfaces in vehicles or trailers.

HOW TO PREVENT IT

- Always place compressor on a protective mat when transporting to protect against damage to vehicle from leaks. Remove compressor from vehicle immediately upon arrival at your destination. Always keep compressor level and never lie on its side.



⚠ WARNING: RISK FROM FLYING OBJECTS

WHAT CAN HAPPEN

- The compressed air stream can cause soft tissue damage to exposed skin and can propel dirt, chips, loose particles and small objects at high speed, resulting in property damage or personal injury.

HOW TO PREVENT IT

- Always wear certified safety equipment: ANSI Z87.1 eye protection (CAN/CSA Z94.3) with side shields when using the compressor.
- Never point any nozzle or sprayer toward any part of the body or at other people or animals.
- Always turn the compressor off and bleed pressure from the air hose and air tank before attempting maintenance, attaching tools or accessories.



⚠ WARNING: RISK FROM MOVING PARTS

WHAT CAN HAPPEN

- The engine can start accidentally if the flywheel is turned by hand or moved by pulling on the starter rope.
- Moving parts such as the pulley, flywheel, and belt can cause serious injury if they come into contact with you or your clothing.
- Attempting to operate compressor with damaged or missing parts or attempting to repair compressor with protective shrouds removed can expose you to moving parts and can result in serious injury.

HOW TO PREVENT IT

- Always disconnect the spark plug and bleed pressure from the air tank before performing maintenance.
- Never operate the compressor with guards or covers which are damaged or removed.
- Keep your hair, clothing and gloves away from moving parts. Loose clothes, jewelry or long hair can be caught in moving parts.
- Air vents may cover moving parts and should be avoided as well.
- Any repairs required on this product should be performed by a DEWALT factory service center or a DEWALT authorized service center.



⚠ WARNING: RISK OF HOT SURFACES

WHAT CAN HAPPEN

- Touching exposed metal such as the compressor head, engine head, engine exhaust or outlet tubes, can result in serious burns.

HOW TO PREVENT IT

- Never touch any exposed metal parts on compressor during or immediately after operation. Compressor will remain hot for several minutes after operation
- Do not reach around protective shrouds or attempt maintenance until unit has been allowed to cool.



⚠ WARNING: RISK OF UNSAFE OPERATION

WHAT CAN HAPPEN

- Unsafe operation of your air compressor could lead to serious injury or death to you or others.

HOW TO PREVENT IT

- Review and understand all instructions and warnings in this manual.
- Become familiar with the operation and controls of the air compressor.
- Keep operating area clear of all persons, pets, and obstacles.
- Keep children away from the air compressor at all times.
- Do not operate the product when fatigued or under the influence of alcohol or drugs. Stay alert at all times.
- Never defeat the safety features of this product.
- Equip area of operation with a fire extinguisher.
- Do not operate machine with missing, broken, or unauthorized parts.
- Never stand on the compressor.



⚠ CAUTION: RISK FROM NOISE

WHAT CAN HAPPEN

- Under some conditions and duration of use, noise from this product may contribute to hearing loss.

HOW TO PREVENT IT

- Always wear certified safety equipment: ANSI S12.6 (S3.19) hearing protection.

SAVE THESE INSTRUCTIONS FOR FUTURE USE

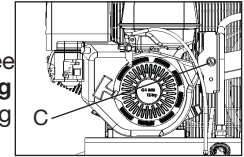
Know Your Air Compressor

READ THIS OWNER'S MANUAL AND SAFETY RULES BEFORE OPERATING YOUR UNIT. Compare the illustrations with your unit to familiarize yourself with the location of various controls and adjustments. Save this manual for future reference.

FEATURES

ELECTRIC START

The engine switch (C) can be placed in three positions; START, RUN and OFF. See **Starting** under *Operation* for complete starting instructions.

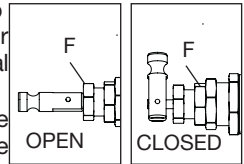


UNLOADER VALVE

When the maximum air tank pressure is obtained, the unloader valve (F) will blow-off. This will cause the compressor to exhaust the air to the atmosphere and not the tank.

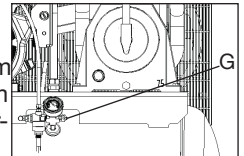
Manual Lock: The manual lock allows you to manually unload the compressor with air pressure in the air tank. To operate the manual lock:

Rotate the manual lock unloader lever to the **open** position to prevent air tank pressure buildup. Rotate manual lock unloader lever to the **closed** position after starting the engine to allow air tank pressure to build. **NOTE:** Air will not build in tank when manual lock unloader lever in the **open** position.



SAFETY VALVE

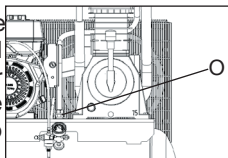
This valve (G) is designed to prevent system failures by relieving pressure from the system when the compressed air reaches a predeter-



mined level. The valve is preset by the manufacturer and must not be removed or modified in any way.

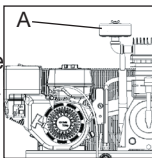
CHECK VALVE

When the air compressor is operating, the check valve (O) is open, allowing compressed air to enter the air tank. When the air compressor reaches cut-out pressure, the check valve closes, allowing air pressure to remain inside the air tank.



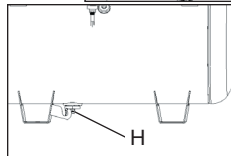
AIR INTAKE FILTER

The filter (A) is designed to clean air entering the pump. To ensure the pump continually receives a clean, cool, and dry air supply the filter must always be clean and the filter intake must be free from obstructions.



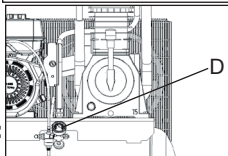
AIR TANK DRAIN VALVE

The drain valve (H) is located at the base of the air tank and is used to drain condensation at the end of each use. See *Draining Air Tank* under *Maintenance*.



TANK PRESSURE GAUGE

The tank pressure gauge (D) indicates the reserve air pressure in the tank.



GLOBE VALVE/AIR DISCHARGE VALVE:
(sold separately, not shown)

Opens and closes air distribution from compressor.

REGULATOR (sold separately, not shown):

An air pressure regulator or a separate air transformer which combines the functions of air regulation and/or moisture and dirt removal is recommended for most applications.

AIR COMPRESSOR PUMP

The pump compresses air into the air tank. Working air is not available until the compressor has raised the air tank pressure above that required at the air outlet.

GASOLINE ENGINE

The gasoline engine powers the pump. The engine drives a pulley and belt, which transfers power from the engine to the pump pistons via a flywheel and a crankshaft. The flywheel fan helps cool the pump.

THROTTLE CONTROL

When maximum air tank pressure is reached and the unloader valve vents air, it activates the throttle control on the engine. This gas saving feature holds the engine at a factory-set idling speed until air pressure in the air tank drops to reset pressure. The unloader valve then reactivates the throttle control and accelerates the engine to full throttle.

LOW OIL SHUT DOWN SENSOR

The air compressor engine is equipped with a low oil shutdown sensor. This is a safety device designed to protect your engine from damage in the event the oil level in the crankcase is below minimum.

If the oil in the engine gets low while the air compressor is running it will automatically shut down the engine and will not restart until oil is added to the engine. If the oil is low before start-up, the engine will not start until oil is added.

NOTE: The low oil shutdown sensor is very sensitive. You must fill the engine to the full mark on the dipstick to inactivate this safety device.

INSTALLATION

Assembly (refer to Fig. 1, pg. 2)

Unpack the air compressor. Inspect the unit for damage. If the unit has been damaged in transit, contact the carrier and complete a damage claim. Do this immediately because there are time limitations to damage claims.

The carton should contain:

- air compressor
- operator and parts manuals
- engine manual
- vibration pads (4)

Check the compressor's serial label to ensure that you have received the model ordered, and that it has the required pressure rating for its intended use.

INSTALLING HOSES

⚠ WARNING: Risk of unsafe operation. Firmly grasp hose in hand when installing or disconnecting to prevent hose whip.

1. Pull ring on safety valve allowing air to bleed from the tank until tank pressure is 0 psi. Release safety valve ring.
2. Apply sealant tape to hose threads.
3. Assemble hose to air outlet (E). **IMPORTANT:** Do not assemble splitters directly to the air outlet (E).

NOTE: Assembling quick connect bodies to air outlet and quick connect plugs to hose ends make connecting and disconnecting hoses simple and easy. Quick connect bodies and plugs are available for purchase from your local dealer or authorized service center.

DISCONNECTING HOSES

⚠ WARNING: Risk of unsafe operation. Firmly grasp hose in hand

when installing or disconnecting to prevent hose whip.

1. Pull ring on safety valve allowing air to bleed from the tank until tank pressure is 0 psi. Release safety valve ring.
2. Remove hose from air outlet (E).

Lubrication and Oil

ENGINE

1. The engine was filled **WITH** oil at the manufacturer. Check engine oil level before operating unit. If necessary, fill engine to the appropriate level with recommended oil, see engine's instruction manual supplied by engine manufacturer for correct procedure.
2. Add fuel to engine. See engine's instruction manual supplied by engine manufacturer for correct procedure.

⚠ WARNING: Risk of explosion or fire. Gasoline vapor is highly flammable. Refuel outdoors preferably, or only in well-ventilated areas. Do not refuel or check gasoline level while the engine is running. Do not store, spill or use gasoline near an open flame, a source of sparks (such as welding), or near operating electrical equipment.

AIR COMPRESSOR

The air compressor pump was filled **WITH** oil at the manufacturer. Check air compressor pump oil level before operating unit. See **Compressor Pump Oil** under *Maintenance*.

Compatibility

Air tools and accessories that are run off the compressor must be compatible with petroleum based products. If you suspect that a material is not compatible with petroleum products, an air line filter for removal of moisture and oil vapor in compressed air is required.

NOTE: Always use an air line filter to remove moisture and oil vapor

when spraying paint.

Location

▲ WARNING: Risk of breathing. Exhaust from the gasoline engine contains deadly carbon monoxide, which is odorless and toxic. Operate engine only in well ventilated areas.

NOTICE: Risk of property damage. In order to avoid damaging the air compressor, do not allow the unit to be tilted more than 10° when operating.

Place air compressor at least 4 ft (1.2 m) away from obstacles that may prevent proper ventilation. Keep unit away from areas that have dirt, vapor and volatile fumes in the atmosphere which may clog and gum up the intake filter and valves, causing inefficient operation.

HUMID AREAS

In frequently humid areas, moisture may form in the pump and produce sludge in the oil, causing running parts to wear out prematurely. Excessive moisture is especially likely to occur if the unit is located in an unheated area that is subject to large temperature changes. Two signs of excessive humidity are external condensation on the pump when it cools down and a “milky” appearance in compressor oil. You may be able to prevent moisture from forming in the pump by increasing ventilation or operating for longer intervals.

NOISE CONSIDERATIONS

Consult local officials for information regarding acceptable noise levels in your area. To reduce excessive noise, use vibration mounts or silencers, relocate the unit or construct total enclosures or baffle walls. Contact a DeWALT service center or call 1-888-895-4549 for assistance.

Anchoring of the Air Compressor

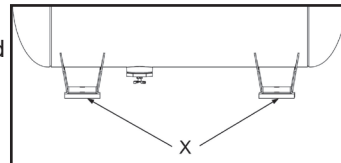
▲ WARNING: Risk of bursting. Excessive vibration can weaken the air tank and cause an explosion. The compressor must be properly mounted.

The air compressor MUST be bolted to a level, solid surface.

Remove the compressor from the shipping pallet and place it on the floor or a hard, level surface. The compressor must be level to ensure proper lubrication of the pump and good drainage of the moisture in the tank.

The shipping pallet is not designed as a base for an operating compressor. Operating the compressor while it is on the pallet will void your warranty.

To prevent damage to tank and pump, the tank must be shimmed so the pump is level within 1/8” per lineal foot *maximum* to distribute oil properly. Fasten to floor and NEVER force tank feet



to floor without shims when tightening. We also recommend the use of vibration pads (094-0137) under tank feet (see X).

NOTE: If the compressor is mounted on a vehicle, the vehicle must be parked on a level surface while operating the compressor. This is to ensure proper lubrication of the pump and gasoline engine.

Connecting a Battery

1. **Battery:** A 12 volt sealed battery with a minimum ampere-hour rating of 18 Ah is required (battery not included).
2. **Battery cables:** Select battery cables to avoid greater than .05 volt drop in the cable during starter motor operation.
3. **Battery Cable size and length:** (Gauge x length)
Positive Cable: AWG No. 4 x 1.5 m (5.0 ft) maximum.
Negative Cable: AWG No. 4 x 2.3 m (7.5 ft) maximum.
4. **Wiring Precautions:**
 - A. Connect the battery positive (+) cable to the starter solenoid terminal.
 - B. Connect the battery negative (-) cable to the engine crankcase or engine frame mounting bolt.
 - C. Do not route the battery cables on or near any hot, moving or rotating parts or sharp edges. Keep the battery cables and electrical wires away from the fuel line.
 - D. Protect positive electrical connections with a cover or insulation.

Failure to connect and disconnect in the proper sequence can cause equipment damage. Ensure there is a clean tight fit from the cables to the post.

⚠WARNING: Remove the cable from the negative (-) side of the battery before servicing.

Service of batteries are to be performed or supervised by personnel knowledgeable of batteries and the required precautions. Keep unauthorized personnel away from batteries.

Battery Safety Instructions

⚠WARNING: Lead-acid batteries present a risk of fire because they generate hydrogen gas. The following procedures are to be

followed:

- Do not smoke when near batteries.
- Do not cause flame or spark in battery area.
- Discharge static electricity from body before touching batteries by first touching a grounded metal surface.
- Do not dispose of batteries in a fire. The battery is capable of exploding.
- Do not open or mutilate the battery or batteries. Released electrolyte has been known to be harmful to the skin and eyes and to be toxic.

⚠WARNING: A battery presents a risk of electrical shock and a high short circuit current. The following precautions are to be observed when working on batteries:

- Remove watches, rings or other metal objects.
- Use tools with insulated handles.
- Wear rubber gloves.
- Do not lay tools or metal parts on top of batteries.
- Disconnect charging source prior to connecting or disconnecting battery terminals.
- Determine if the battery is inadvertently grounded. When inadvertently grounded, remove source of ground. Contact with any part of a grounded battery is capable of resulting in electrical shock. The risk of such shock is reduced when such grounds are removed during installation and maintenance.
- Failure to connect and disconnect in the proper sequence can cause equipment damage. Ensure there is a clean tight fit from the cables to the post.

Pre-Start Checklist (refer to Fig. 1, pg. 2)

1. Ensure engine START/RUN/OFF switch (C) is in the OFF position.
2. Ensure air tank is drained, see **Draining Air Tank** under *Maintenance*.
3. Ensure the drain valve (H) is closed.
4. Ensure safety valve (G) is functioning properly, see **Checking Safety Valve** under *Maintenance*.
5. Check pump oil level, see **Compressor Pump Oil** under *Maintenance*.

⚠ CAUTION: Do not operate without oil or with inadequate oil. DEWALT is not responsible for compressor failure caused by inadequate oil.

6. Check engine's oil and fuel level, see engine's instruction manual for correct procedures.
7. Visually inspect drive belt. Replace belt if frayed, cracked, or worn

NOTE: Outer belt cover must be removed to inspect drive belt.

8. Ensure all guards, covers, and labels are in place, legible (for labels) and securely mounted. Do not use compressor until all items have been verified.

⚠ WARNING: Do not operate this unit until you read this instruction manual and the engine instruction manual for safety, operation and maintenance instructions.

Break-in Procedure

NOTICE: Risk of property damage. Serious damage may result if the following break-in instructions are not closely followed.

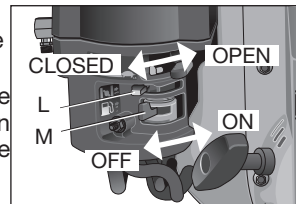
This procedure is required:

- Before the air compressor is used for the first time.
- When the check valve has been replaced.

- When the compressor pump has been replaced.

The procedure:

1. Follow **Pre-Start Checklist**.
2. Rotate the unloader's manual lock to the **open** position to prevent air tank pressure buildup.
3. Prepare engine for first time use, see engine's instruction manual for correct procedure.
4. Place the fuel valve lever (M) in the ON position.
5. If the engine is cold, move the choke (L) to the CLOSED position as shown. If the engine is hot, move the choke to the OPEN position.



6. **Recoil Start:**

- a. Turn the engine START/RUN/OFF switch (C) to the RUN position.
- b. **⚠ WARNING:** Risk of unsafe operation. Pull starter grip slowly until resistance is felt. Then pull starter grip (N) rapidly to avoid kickback and prevent hand or arm injury.

NOTE: Do not allow the starter grip to snap back. Return it gently by hand.

Electric Start

- a. Connect a battery to the solenoid on the gas engine. See **Connecting a Battery** for procedure.
- b. Place engine START/RUN/OFF switch (C) in the START position and hold until the engine starts.

NOTE: Do not hold the switch in the START position for more than 5 seconds. If the engine does not start, wait 10 seconds before retrying. Failure to follow these instructions may result in damage to the starter motor due to overheating.

- c. When the engine starts, release the engine switch allowing it

to return to the RUN position.

NOTE: Do not turn the engine switch to the START position while the engine is running.

NOTE: If the oil level in the engine is low, the engine will not start. If the engine does not start, check the oil level and add oil as needed.

NOTE: To ensure maximum oil lubrication, operate the unit on a level surface.

7. As the engine warms up, move the choke to the OPEN position.
8. Run the air compressor for **30 minutes** to seat the rings and lubricate all the internal surfaces. Ensure there is no pressure build up in the air tank by observing the reading on the air tank pressure gauge.
9. Rotate the manual lock on the unloader valve into the **closed** position so the air tank pressure can build.
10. Compressed air will be available from the hose air outlet until it is used up or bled off.

OPERATING PROCEDURES

Start-up (refer to Fig. 1, pg. 2)

▲WARNING: Do not operate this unit until you read this instruction manual and the engine instruction manual for safety, operation and maintenance instructions.

1. Follow **Pre-Start Checklist**.
2. Rotate the manual lock unloader lever to the **open** position to assist with start up.
3. Place the fuel valve lever (M) in the ON position.
4. If the engine is cold, move the choke (L) to the CLOSED position as shown. If the engine is hot, move the choke to the OPEN position.
5. **Recoil Start:**
 - a. Turn the engine START/RUN/OFF switch (C) to the RUN

position.

- b. **▲WARNING:** Risk of unsafe operation. Pull starter grip slowly until resistance is felt. Then pull starter grip (N) rapidly to avoid kickback and prevent hand or arm injury.

NOTE: Do not allow the starter grip to snap back. Return it gently by hand.

Electric Start

- a. Connect a battery to the solenoid on the gas engine. See **Connecting a Battery** for procedure.
- b. Place engine START/RUN/OFF switch (C) in the START position and hold until the engine starts.

NOTE: Do not hold the switch in the START position for more than 5 seconds. If the engine does not start, wait 10 seconds before retrying. Failure to follow these instructions may result in damage to the starter motor due to overheating.

- c. When the engine starts, release the engine switch allowing it to return to the RUN position.

NOTE: Do not turn the engine switch to the START position while the engine is running.

NOTE: If the oil level in the engine is low, the engine will not start. If the engine does not start, check the oil level and add oil as needed.

NOTE: To ensure maximum oil lubrication, operate the unit on a level surface.

6. As the engine warms up, move the choke to the OPEN position.
7. Rotate manual lock unloader lever to the **closed** position to allow air tank pressure to build. **NOTE:** Pump will not operate with the manual lock unloader lever in the **open** position.
8. Allow compressor to pump up to **blow off** pressure.

NOTE: If any unusual noise or vibration is noticed, stop the compressor and refer to the troubleshooting section.

NOTE: The air compressor pump is capable of running continuously.

To prolong the air compressor's life, it is recommended to run at high throttle 50-75% of the run time and idle for 25% of the run time.

9. Attach hose and accessory.

⚠WARNING: Risk of unsafe operation. Firmly grasp hose in hand when installing or disconnecting to prevent hose whip.

⚠WARNING: Risk of unsafe operation. Do not use damaged or worn accessories.

⚠CAUTION: Risk of unsafe operation. Compressed air from the unit may contain water condensation and oil mist. Do not spray unfiltered air at an item that could be damaged by moisture. Some air operated tools or devices may require filtered air. Read the instructions for the air tool or device.

Shut-down

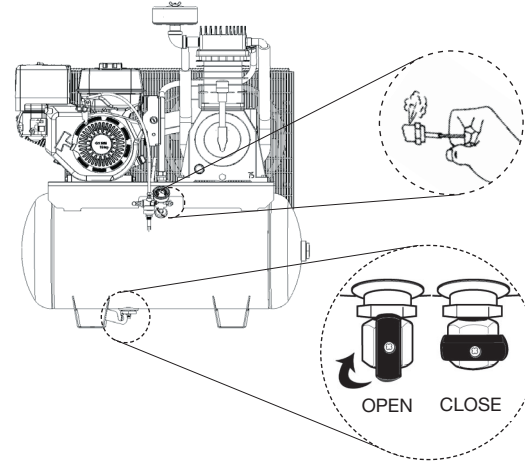
1. Place the engine START/RUN/OFF switch (C) to the OFF Position.
2. Place the fuel valve lever (M) in the OFF position.

NOTE: If finished using compressor, follow Steps 3–5.

3. Remove hose and accessory.
4. Pull ring on safety valve (G) allowing air to bleed from the tank until tank pressure is approximately 20 psi. Release safety valve ring.
5. Drain the air tank. See **Draining Air Tank** under *Maintenance*.

⚠WARNING: Risk of bursting. Drain air tank daily. Water will condense in air tank. If not drained, water will corrode and weaken the air tank causing a risk of air tank rupture.

FIG. 3



MAINTENANCE (refer to Fig. 1, pg. 2)

The following procedures must be followed when maintenance or service is performed on the air compressor.

1. Ensure engine START/RUN/OFF switch (C) is in the OFF position.
2. Disconnect spark plug wire.
3. Drain air tank.
4. Allow air compressor to cool down before starting service

NOTE: All compressed air systems contain maintenance parts (e.g. oil, filters, separators) that are periodically replaced. These used parts may contain substances that are regulated and must be disposed of in accordance with local, state, and federal laws and regulations.

NOTE: Take note of the positions and locations of parts during

disassembly to make reassembly easier.

NOTE: Any service operations not included in this section should be performed by a DEWALT factory service center or a DEWALT authorized service center.

Maintenance Chart

| Procedure | Daily | Weekly | Monthly or every 50 Hours | 1 year or 200 Hours | See tank warning label |
|--|--------------------------------|----------------|---------------------------|---------------------|------------------------|
| Check safety valve | X | | | | |
| Inspect air filter | | X ⁺ | | | |
| Drain air tank | X | | | | |
| Check pump oil level | X | | | | |
| Change pump oil | | | | X ^{***} | |
| Oil leak inspection | X | | | | |
| Inspect drive belt | X | | | | |
| Check drive belt tension | | | X | | |
| Check pulley/flywheel alignment | | | | X | |
| Check for unusual noise/vibration | X | | | | |
| Check for air leaks | X [*] | | | | |
| Clean compressor exterior | | X | | | |
| Remove tank from service | | | | | X ⁺⁺ |
| Engine | See engine instruction manual. | | | | |
| * To check for air leaks apply a solution of soapy water around joints. While compressor is pumping to pressure and after pressure cuts out, look for air bubbles to form. | | | | | |

****** The pump oil must be changed after the first 20 hours of operation. Thereafter, when using full synthetic non-detergent air compressor oil, change oil every 200 hours of operation or once a year, whichever comes first.

+ Perform more frequent in dusty or humid conditions.

++ For more information, call 1-888-895-4549 .

⚠ WARNING: To avoid personal injury, always shut off the gasoline engine and relieve all air pressure from the system before performing any service on the air compressor.

To ensure efficient operation and longer life of the air compressor outfit, a routine maintenance schedule should be prepared and followed. The following routine maintenance schedule is geared to an outfit in a normal working environment operating on a daily basis. If necessary, the schedule should be modified to suit the conditions under which your compressor is used. The modifications will depend upon the hours of operation and the working environment. Compressor outfits in an extremely dirty and/or hostile environment will require a greater frequency of all maintenance checks.

NOTE: See Operation section for the location of controls.

Checking Safety Valve (refer to Fig. 1, pg. 2)

⚠ WARNING: Hot surfaces. Risk of burn. Tubes, pump head, and surrounding parts are very hot, do not touch (see the Hot Surfaces identified in Fig. 2). Allow compressor to cool prior to servicing.

⚠ WARNING: Risk of bursting. If the safety valve does not work properly, over-pressurization may occur, causing air tank rupture or an explosion.

⚠ WARNING: Risk from flying objects. Always wear certified safety equipment: ANSI Z87.1 eye protection (CAN/CSA Z94.3) with side shields.

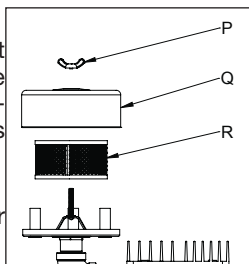
Before starting compressor, pull the ring on the safety valve to make sure that the safety valve operates freely. If the valve is stuck or does not operate smoothly, it must be replaced with the same type of valve.

Checking Air Filter

⚠ WARNING: Hot surfaces. Risk of burn. Tubes, pump head, and surrounding parts are very hot, do not touch (see the Hot Surfaces identified in Fig. 2). Allow compressor to cool prior to servicing.

A dirty air filter will not allow the compressor to operate at full capacity. Keep the air filter clean at all times.

1. Ensure engine START/RUN/OFF switch (C) is in the OFF position.
2. Allow unit to cool.
3. Remove the wing nut (P).
4. Remove the outer metal cover (Q).
5. Remove element (R) from filter base.
6. If element needs cleaning, blow out with air. Replace if needed. Purchase replacement parts from your local dealer or authorized service center. Always use identical replacement parts.
7. Place element back in filter base.
8. Place the outer metal cover back over the filter element.
9. Secure with the wing nut.



⚠ CAUTION: Risk of unsafe operation. Do not operate without air filter.

Draining Air Tank (refer to Fig. 3, pg. 17)

⚠ WARNING: Risk of unsafe operation. Air tanks contain high pressure air. Keep face and other body parts away from outlet of drain. Use eye protection [ANSI Z87.1 (CAN/CSA Z94.3)] when draining as debris can be kicked up into face.

⚠ WARNING: Risk from noise. Use ear protection (ANSI S12.6 (S3.19) as air flow noise is loud when draining.

NOTE: All compressed air systems generate condensation that accumulates in any drain point (e.g., tanks, filter, aftercoolers, dryers). This condensate contains lubricating oil and/or substances which may be regulated and must be disposed of in accordance with local, state, and federal laws and regulations.

1. Ensure engine START/RUN/OFF switch (C) is in the OFF position.
2. Pull ring on safety valve allowing air to bleed from the tank until tank pressure is approximately 20 psi. Release safety valve ring.
3. Drain water from air tank by opening drain valve (counterclockwise) on bottom of tank.

⚠ WARNING: Risk of bursting. Water will condense in the air tank. If not drained, water will corrode and weaken the air tank causing a risk of air tank rupture.

NOTICE: Risk of property damage. Drain water from air tank may contain oil and rust which can cause stains.

4. After the water has been drained, close the drain valve (clockwise).

NOTE: If drain valve is plugged, release all air pressure. The valve can then be removed, cleaned, then reinstalled.

Compressor Pump Oil (refer to Fig. 4, pg. 20)

⚠WARNING: Hot surfaces. Risk of burn. Tubes, pump head, and surrounding parts are very hot, do not touch (see the Hot Surfaces identified in Fig. 2). Allow compressor to cool prior to servicing.

NOTICE: Risk of property damage. Use air compressor oil only. Multi-weight automotive engine oils like 10W30 should not be used in air compressors. They leave carbon deposits on critical components, thus reducing performance and compressor life.

NOTE: Use full synthetic non-detergent air compressor oil.

NOTE: Crankcase oil capacity is approximately 53 fluid ounces (1567 ml).

Checking

1. Ensure engine START/RUN/OFF switch (C) is in the OFF Position.
2. The oil level should be to the middle of the sight glass (S).
3. If needed remove oil fill plug (I) and slowly add oil until it reaches the middle of the sight glass.

Changing

⚠WARNING: Hot surfaces. Risk of burn. Tubes, pump head, and surrounding parts are very hot, do not touch (see the Hot Surfaces identified in Fig. 2). Allow compressor to cool prior to servicing.

⚠WARNING: Drain tank to release air pressure before removing the oil fill cap or oil drain plug.

1. Ensure engine START/RUN/OFF switch (C) is in the OFF position.
2. Allow the unit to cool.
3. Disconnect spark plug wire.

4. Drain air tank.
5. Remove the oil fill plug (I).
6. Remove the oil drain plug (J) and drain oil into a suitable container.
7. Replace the oil drain plug (J) and tighten securely
8. Slowly add compressor oil until it reaches the middle of the sight glass (S). **NOTE:** When filling the crankcase, the oil flows very slowly into the pump. If the oil is added too quickly, it will overflow and appear to be full.

⚠CAUTION: Overfilling with oil will cause premature compressor failure. Do not overfill.

9. Replace oil fill plug (I) and tighten securely.
10. Reconnect spark plug wire.

NOTE: Pump oil contains substances that are regulated and must be disposed of in accordance with local, state and federal laws and regulations.

T = Full

U = Add

J = Oil drain plug

S = Oil level sight glass

I = Oil fill plug

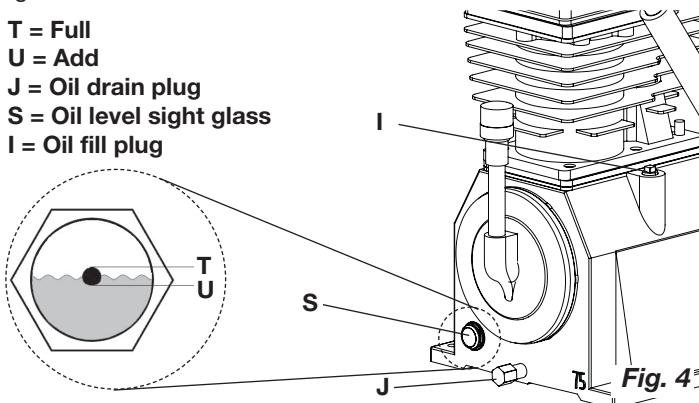
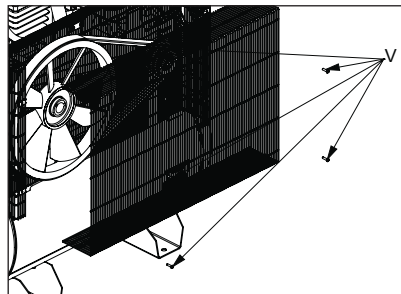


Fig. 4

Belt Replacement

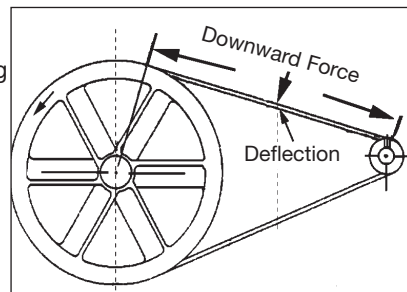
⚠ WARNING: To avoid personal injury, always shut off the gasoline engine and relieve all air pressure from the system before performing any service on the air compressor. Do not use the unit with the shrouds or belt guard removed. Serious injury could occur from contact with moving parts. Hot surfaces. Risk of burn. Pump head, and surrounding parts are very hot, do not touch (see the Hot Surfaces identified in Fig. 2). Allow compressor to cool prior to servicing.

1. Ensure engine START/RUN/OFF switch (C) is in the OFF position.
2. Allow the unit to cool.
3. Disconnect spark plug wire.
4. Drain air tank.
5. Remove the front of the beltguard by removing the screws (V) using a Torx T25 bit.
6. Mark pump position on saddle.
7. Loosen the engine mounting screws and slide the engine toward the air compressor.
8. Remove the belt and replace with a new one.
9. See the **Adjusting Belt Tension** before tightening engine mounting screws.
10. Reconnect spark plug wire.



Adjusting Belt Tension

1. Ensure engine START/RUN/OFF switch (C) is in the OFF position.
2. Allow the unit to cool.
3. Disconnect spark plug wire.
4. Drain air tank.
5. Slide engine into original position, line the engine up with the mark made earlier on saddle.
6. Tighten two outside engine mounting screws enough to hold the engine in place for checking pulley and flywheel alignment.
7. The belt should deflect 1/2" (13 mm) at midway between the pulley and the flywheel when a 10 pound (4.6 kg.) weight is applied at the midway point.
8. When proper belt tension is achieved, tighten all four engine mounting screws. Torque to 15-22 ft-lbs (20.3-29.8 Nm).
9. Reconnect spark plug wire.



Pulley and Flywheel Alignment

NOTE: Once the engine pulley has been moved from its factory set location, the grooves of the flywheel and pulley must be aligned to within 1/16" (1.6 mm) to prevent excessive belt wear.

The air compressor flywheel and engine pulley must be in-line (in the same plane) within 1/16" (1.6 mm) to assure belt retention within flywheel belt grooves. To check alignment, perform the following steps:

1. Ensure engine START/RUN/OFF switch (C) is in the OFF Position.
2. Allow the unit to cool.
3. Disconnect spark plug wire.
4. Drain air tank.
5. Remove belt guard.
6. Place a straightedge against the outside of the flywheel and the engine drive pulley.
7. Measure the distance between the edge of the belt and the straightedge at points A1 and A2 in figure. The difference between measurements should be no more than 1/16" (1.6 mm).
8. If the difference is greater than 1/16" (1.6 mm) loosen the set screw holding the engine drive pulley to the shaft and adjust the pulley's position on the shaft until the A1 and A2 measurements are within 1/16" (1.6 mm) of each other.
9. Tighten the engine drive pulley set screw.
10. Visually inspect the engine drive pulley to verify that it is perpendicular to the drive engine shaft. Points B1 and B2 of Figure should appear to be equal. If they are not, loosen the setscrew of the engine drive pulley and equalize B1 and B2, using care not to disturb the belt alignment performed in step 2.
11. Retighten the engine drive pulley setscrew. Torque to 145–180in lbs (16.4–20.3 Nm).
12. Reinstall belt guard.
13. Reconnect spark plug wire.

Air Compressor Pump Intake and Exhaust Valves

Once a year have a Trained Service Technician check the air compressor pump intake and exhaust valves.

Inspect Air Lines and Fittings for Leaks

1. Ensure engine START/RUN/OFF switch (C) is in the OFF Position.
2. Allow the unit to cool.
3. Disconnect spark plug wire.
4. Apply a soap solution to all air line fittings and connections/piping.
5. Correct any leaks found.
6. Reconnect spark plug wire.

IMPORTANT: Even minor leaks can cause the air compressor to overwork, resulting in premature breakdown or inadequate performance.

Air compressor Head Bolts - Torquing

The air compressor pump head bolts should be kept properly torqued. Check the torques of the head bolts after the first five hours of operation. Torque to 32-37 ft.-lbs. (43.4-50.2 Nm).

Service and Adjustments

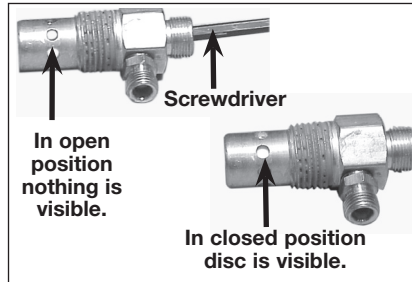
ALL MAINTENANCE AND REPAIR OPERATIONS NOT LISTED MUST BE PERFORMED BY TRAINED SERVICE TECHNICIAN.

▲ WARNING: To avoid personal injury, always shut off the gasoline engine and relieve all air pressure from the system before performing any service on the air compressor. Do not use the unit with the shrouds or belt guard removed. Serious injury could

occur from contact with moving parts. Hot surfaces. Risk of burn. Pump head, and surrounding parts are very hot, do not touch (see the Hot Surfaces identified in Fig. 2). Allow compressor to cool prior to servicing.

To Replace or Clean Check Valve

1. Ensure engine START/RUN/OFF switch (C) is in the OFF Position.
2. Allow the unit to cool.
3. Disconnect spark plug wire.
4. Release all air pressure from air tank. See **Draining Air Tank** in the *Maintenance* section.
5. Using an adjustable wrench loosen outlet tube nut at air tank and pump. Carefully move outlet tube away from check valve.
6. Using an adjustable wrench loosen pressure relief tube nut at air tank. Carefully move pressure relief tube away from check valve.
7. Unscrew the check valve (turn counterclockwise) using a 7/8" open end wrench. **NOTE** the orientation for reassembly.
8. Using a screwdriver, carefully push the valve disc up and down. **NOTE:** The valve disc should move freely up and down on a spring which holds the valve disc in the closed position, if not the check valve needs to be cleaned or replaced.
9. Clean or replace the check valve. A solvent, such as paint or varnish remover can be used to clean the check valve.



10. Apply sealant to the check valve threads. Reinstall the check valve (turn clockwise).
11. Replace the pressure release tube. Tighten nuts.
12. Replace the outlet tube and tighten nuts.
13. Reconnect spark plug wire.
14. Perform the Break-in Procedure. See **Break-in Procedure** in the *Operation* section.

Additional Service

Disassembly or service of the air compressor beyond what is covered in this manual is not recommended. If additional service is required, contact your nearest Authorized Warranty Service Center.

Accessories

Recommended accessories for use with your tool are available for purchase from your local dealer or authorized service center. If you need assistance in locating any accessory for your tool, please call 1-888-895-4549 or visit our website www.dewalt.com.

⚠ WARNING: The use of any other accessory not recommended for use with this tool could be hazardous. Use only accessories rated equal to or higher than the rating of the air compressor.

Service Information

Please have the following information available for all service calls:
Model Number _____ Serial Number _____
Date and Place of Purchase _____

Repairs

To assure product SAFETY and RELIABILITY, repairs, maintenance and adjustment should be performed by a DeWALT factory service center, a DeWALT authorized service center or other qualified service personnel. Always use identical replacement parts.

Limited Warranty

DEWALT Industrial Tools are warranted from date of purchase.

2 Year – Limited warranty on oil-lubricated air compressor pumps.

1 Year – Limited warranty on all other air compressor components. This warranty is not transferable to subsequent owners.

DEWALT will repair or replace, without charge, at DEWALT's option, any defects due to faulty materials or workmanship. For further detail of warranty coverage and warranty repair information, call 1-(888)-895-4549 or visit dewalt.com. This warranty does not apply to accessories or damage caused where repairs have been made or attempted by others. This warranty also does not apply to merchandise sold by DEWALT which has been manufactured by and identified as the product of another company, such as gasoline engines. Such manufacturer's warranty, if any, will apply. **ANY INCIDENTAL, INDIRECT OR CONSEQUENTIAL LOSS, DAMAGE OR EXPENSE THAT MAY RESULT FROM ANY DEFECT, FAILURE OR MALFUNCTION OF THE PRODUCT IS NOT COVERED BY THIS WARRANTY.** Some states do not allow the exclusion of limitation of incidental or consequential damages, so the above limitation or exclusion may not apply to you. **IMPLIED WARRANTIES, INCLUDING THOSE OF MERCHANTABILITY OR FITNESS FOR A PARTICULAR PURPOSE, ARE LIMITED TO ONE YEAR FROM THE DATE OF ORIGINAL PURCHASE.** Some states do not allow limitations on how long an implied warranty lasts, so the above limitations may not apply to you.

What the Company Will Do: (the company) will cover parts and labor to remedy substantial defects due to materials and workmanship during the first year of ownership, with the

exceptions noted below. Parts used in repair of whole goods or accessories are warranted for the balance of the original warranty period.

What is not covered Under This Warranty? Failures by the original retail purchaser to install, maintain, and operate said equipment in accordance with standard industry practices. Modifications to the product, or tampering with components, or failure to comply with the specific recommendations of the Company set forth in the owner's manual, will render this warranty null and void. The Company shall not be liable for any repairs, replacements, or adjustments to the equipment, or any costs for labor performed by the purchaser without the Company's prior written approval. The effects of corrosion, erosion, surrounding environmental conditions, cosmetic defects, and routine maintenance items, are specifically excluded from this warranty. Routine maintenance items such as: oil, lubricants, and air filters, as well as changing oil, air filters, belt tensioning, etc... fall under the owner's responsibility. Additional exclusions include: freight damage, failures resulting from neglect, accident, or abuse, induction motors when operated from a generator, oil leaks, air leaks, oil consumption, leaky fittings, hoses, petcocks, bleeder tubes, and transfer tubes.

- The following components are considered normal wear items and are not covered after the first year of ownership: Belts, sheaves, flywheels, check valves, pressure switches, air unloaders, throttle controls, electric motors, brushes, regulators, o-rings, pressure gauges, tubing, piping, fittings, fasteners, wheels, quick couplers, gaskets, seals, air filter housings, piston rings, connecting rods, and piston seals.
- Labor, service calls, and travel charges, are not covered

after the first year of ownership on stationary compressors (compressors without handles, or wheels). Repairs requiring overtime, weekend rates, or any other charges beyond the standard shop labor rate are not covered.

- Time required for orientation training for the service center to gain access to the product, or additional time due to inadequate egress.
- Damage caused by incorrect voltage, improperly wired, or failure to have a certified licensed electrician install the compressor, will render this warranty null and void.
- Damage caused from inadequate filter maintenance.
- Pump wear or valve damage caused by using oil not specified.
- Pump wear or damage caused by any oil contamination.
- Pump wear or valve damage caused by failure to follow proper maintenance guidelines.
- Operation below proper oil level or operation without oil.
- Gas Engines, if product is equipped with a gas engine, see engine manual for specific engine manufacturer's warranty coverage.

Parts purchased separately: The warranty for parts purchased separately such as: pumps, motors, etc., are as follows:

From Date of Purchase

- | | |
|--------------------------------|---------|
| • All single & two stage pumps | 1 year |
| • Electric motors | 90 days |
| • Universal motor/pump | 30 days |

- All other parts 30 days
- No return authorization will be issued for electrical components once items are installed.

How do You Get Service? In order to be eligible for service under this warranty you must be the original retail purchaser, and provide proof of purchase from one of the Company's dealers, distributors, or retail outlet stores. Portable compressors or components must be delivered, or shipped, to the nearest Authorized Service Center. All associated freight costs and travel charges must be borne by the consumer. Please call our toll free number 1-888-895-4549 for assistance.

THIS WARRANTY GIVES YOU SPECIFIC LEGAL RIGHTS, AND YOU MAY ALSO HAVE OTHER RIGHTS WHICH VARY FROM STATE TO STATE.

THE COMPANY MAKES NO OTHER WARRANTY OR REPRESENTATION OF ANY KIND WHATSOEVER, EXPRESSED OR IMPLIED, EXCEPT THAT OF TITLE. ALL IMPLIED WARRANTIES, INCLUDING ANY WARRANTY OF MERCHANTABILITY AND FITNESS FOR PARTICULAR PURPOSE ARE HEREBY DISCLAIMED. LIABILITY FOR CONSEQUENTIAL AND INCIDENTAL DAMAGES UNDER ANY AND ALL WARRANTIES, OTHER CONTRACTS, NEGLIGENCE, OR OTHER TORTS IS EXCLUDED TO THE EXTENT EXCLUSION IS PERMITTED BY LAW.

Troubleshooting Guide

This section provides a list of the more frequently encountered malfunctions, their causes and corrective actions. The operator or maintenance personnel can perform some corrective actions, and others may require the assistance of a qualified DEWALT technician or your dealer.

| | |
|---|-------------------------------|
| Excessive air tank pressure-safety valve pops off | 1 |
| Air leaks | 2 |
| Continuous air leak at unloader valve. | 3 |
| Air leaks in air tank or at air tank welds | 4 |
| Air leaks between head and valve plate..... | 5 |
| Air leaks from safety valve..... | 6 |
| Compressor is not supplying enough air to operate accessories | 2, 7, 8, 9, 10, 12, 13 |
| Restricted air intake..... | 12 |
| Excessive vibration..... | 14, 15 |
| Knocking Noise | 13, 14, 15, 16, 17, 18, 19 |
| Excessive belt wear..... | 13,14,16,19,20 |
| Squealing sound..... | 13 |
| Engine will not run | 22, 24, 30 |
| Moisture in pump crankcase..... | 5, 11, 23, 24, 25, 26, 27, 28 |
| Pump will not run..... | 29 |
| Air tank pressure will not build | 29 |

Troubleshooting Codes

| CODE | POSSIBLE CAUSE | POSSIBLE SOLUTION |
|------|---|--|
| 1 | Unloader valve does not release pressure when air tank reaches blow-off pressure | Unloader valve must be replaced. Contact a DEWALT factory service center or a DEWALT authorized service center. |
| 2 | Fittings are not tight | Tighten fittings where air can be heard escaping. Check fittings with soapy water solution. DO NOT OVERTIGHTEN. |

| CODE | POSSIBLE CAUSE | POSSIBLE SOLUTION |
|------|--|---|
| 3 | Defective unloader valve | Turn off engine, rotate manual lock unloader lever to the closed perpendicular position. If air leaks out of air tank through unloader valve, replace unloader valve. |
| 4 | Defective air tank | Air tank must be replaced. Do not repair the leak. ▲WARNING: Risk of bursting. Do not drill into, weld or otherwise modify air tank or it will weaken. The air tank can rupture or explode. |
| 5 | Leaking seals | Contact a DEWALT factory service center or a DEWALT authorized service center. |
| 6 | Defective safety valve | Operate safety valve manually by pulling on ring. If valve still leaks, it must be replaced. |
| 7 | Prolonged excessive use of air | Decrease amount of air usage. |
| 8 | Compressor is not large enough for accessory | Check the accessory air requirement. If it is higher than the SCFM or pressure supplied by your air compressor, a larger compressor is needed to operate accessory. |
| 9 | Hole in air hose | Check and replace air hose, if required. |
| 10 | Unloader valve restricted | Remove, clean or replace. |
| 11 | Unit operating in damp or humid conditions | Move unit to a dry well ventilated area. |
| 12 | Restricted air intake filter | Clean or replace air intake filter. |
| 13 | Loose belt | Check belt tension, see Adjusting Belt Tension under Maintenance . |

| CODE | POSSIBLE CAUSE | POSSIBLE SOLUTION |
|------|---|---|
| 14 | Engine mounting bolts are loose | Tighten mounting screws. Torque engine mounting bolts to 15–22 ft-lbs (20.3–29.8 Nm). ▲WARNING: Risk of bursting. Excessive vibration could weaken the air tank and cause it to rupture or explode. Mounting screws must be kept tightened. |
| 15 | Pump stabilizer bracket bolts are loose | Check bolt and tighten if required. Torque pump stabilizer bracket bolt to 15–22 ft-lbs (20.3-29.8 Nm). ▲WARNING: Risk of bursting. Excessive vibration could weaken the air tank and cause it to rupture or explode. Stabilizer bracket bolt must be kept tightened. Never operate the unit unless equipped with the stabilizer bracket. |
| 16 | Loose pulley | Tighten pulley set screw, torque to 145–180 in.-lbs. (16.4–20.3 Nm). |
| 17 | Loose flywheel | Tighten flywheel screw, torque to 15–18 ft.-lbs. (20.3–24.4 Nm). |
| 18 | Carbon build-up in pump | Contact a DEWALT factory service center or a DEWALT authorized service center. |
| 19 | Belt to tight | Check belt tension, see Adjusting Belt Tension under <i>Maintenance</i> . |
| 20 | Pulley misalignment | See Motor Pulley/Flywheel Alignment under <i>Maintenance</i> . |
| 21 | Engine problem | Contact a DEWALT factory service center or a DEWALT authorized service center. |
| 22 | Engine or pump oil is low | Add DEWALT synthetic compressor oil to pump. See Compressor Pump Oil under <i>Maintenance</i> . |

| CODE | POSSIBLE CAUSE | POSSIBLE SOLUTION |
|------|--|---|
| 23 | Detergent type oil being used in pump | Drain oil and refill pump with full synthetic non-detergent air compressor oil. |
| 24 | Extremely light duty cycles | Run unit for longer duty cycles. It is recommended to run at high throttle 50-75% of the run time and idle for 25% of the run time. |
| 25 | Piston rings damaged or worn | Contact a DEWALT factory service center or a DEWALT authorized service center. |
| 26 | Cylinder or piston damaged or worn | Contact a DEWALT factory service center or a DEWALT authorized service center. |
| 27 | Compressor cylinder finish worn | Contact a DEWALT factory service center or a DEWALT authorized service center. |
| 28 | Water in pump oil | Drain oil and refill pump with full synthetic non-detergent air compressor oil. |
| 29 | Manual lock unloader lever in open position | Rotate manual lock unloader lever to the closed perpendicular position. |
| 30 | Engine fuel tank empty | Add gasoline, see engine's instruction manual for correct procedure. |

FREE WARNING LABEL REPLACEMENT: If your warning labels become illegible or are missing, call 1-888-895-4549 for a free replacement.

WARNING Read and understand operator instructions for safe operation and maintenance. For replacement manual write to: Compressor manual write to: Compressor Service, 115 West Rock Street, Springfield, MN 55957

Risk of fire or explosion - Gasoline Fuel is highly flammable. Rollover candles or in a well-ventilated area.

DO NOT spray flammable liquid in a confined area or towards a hot surface. Spray area must be well-ventilated. DO NOT mistle white spraying or spray white spark of flame is present. Airing parts. Keep compressor at least 30 feet away from explosion vapors, such as when starting with a spray gun.

AVERTISSEMENT Lire et comprendre attentivement les instructions de l'opérateur pour une utilisation sûre et l'entretien. Pour obtenir un manuel de remplacement, écrire à: Service des Compresseurs, 115 West Rock Street, Springfield, MN 55957

Risque d'incendie ou d'explosion - Essence Le carburant est hautement inflammable. Évitez les bougies ou les surfaces chaudes dans une zone bien ventilée. Ne pulvériser pas de liquide inflammable dans une zone confinée ou vers une surface chaude. Évitez de pulvériser ou de vaporiser de la peinture ou des produits chimiques dans une zone mal ventilée. Ne pulvériser pas de peinture blanche pulvérisée ou de pulvériser de la flamme ou des étincelles. Aérer les pièces. Garder le compresseur à au moins 30 mètres des vapeurs d'explosion, telles que lors du démarrage avec une bombe à pulvériser.

Risque de brûlure - Ne pas régler le régulateur à moins que la pression soit inférieure à la pression recommandée de l'attachement. *L'unité sans un régulateur sur les raccords peut causer des blessures graves ou la mort.*

DO NOT use compressed air for breathing. Use only for cleaning. Do not use compressed air to clean your face or body.

DO NOT use compressed air for breathing. Use only for cleaning. Do not use compressed air to clean your face or body.

AVERTISSEMENT Lire et comprendre attentivement les instructions de l'opérateur pour une utilisation sûre et l'entretien. Pour obtenir un manuel de remplacement, écrire à: Service des Compresseurs, 115 West Rock Street, Springfield, MN 55957

Risque d'étouffement - Ne pas régler le régulateur de pression de sortie à une pression supérieure à la pression recommandée pour l'accessoire - RIGOLE D'APPAREIL DU PÉRIODIQUE, caution l'opérateur et les blessures de la mort. Évitez l'utilisation abusive. Évitez l'utilisation abusive. Ne jamais respirer ou aspirer le contenu d'un accessoire.

Risque de blessure - Ne pas régler le jet d'air vers soi-même ou d'autres personnes. Il est le danger d'être projeté et d'être blessé par la pression d'air. Ne jamais utiliser un détendeur ou un régulateur de pression d'après chaque usage. *Ne jamais faire fonctionner le modèle sans le protecteur de course.* *Le projet part du compresseur sans que l'utilisateur s'en rende compte.*

DANGER Do not adjust regulator to result in output pressure greater than marked maximum pressure of attachment. *Units without a regulator can air handling parts such as minimum 125 PSI (1 stage) or 200 PSI (2 stage).

DO NOT use compressed air for breathing. Use only for cleaning. Do not use compressed air to clean your face or body.

DO NOT use compressed air for breathing. Use only for cleaning. Do not use compressed air to clean your face or body.

AVERTISSEMENT Ne pas régler le régulateur de pression de sortie à une pression supérieure à la pression recommandée de l'accessoire. *Les unités sans un régulateur sur les raccords peuvent causer des blessures graves ou la mort.*

NE PAS utiliser l'air comprimé pour respirer. Utilisez uniquement pour nettoyer. Ne pas utiliser l'air comprimé pour nettoyer votre visage ou votre corps.

NE PAS utiliser l'air comprimé pour respirer. Utilisez uniquement pour nettoyer. Ne pas utiliser l'air comprimé pour nettoyer votre visage ou votre corps.

AVERTISSEMENT Lire et comprendre attentivement les instructions de l'opérateur pour une utilisation sûre et l'entretien. Pour obtenir un manuel de remplacement, écrire à: Service des Compresseurs, 115 West Rock Street, Springfield, MN 55957

Risque d'étouffement - Ne pas régler le régulateur de pression de sortie à une pression supérieure à la pression recommandée pour l'accessoire - RIGOLE D'APPAREIL DU PÉRIODIQUE, caution l'opérateur et les blessures de la mort. Évitez l'utilisation abusive. Évitez l'utilisation abusive. Ne jamais respirer ou aspirer le contenu d'un accessoire.

Risque de blessure - Ne pas régler le jet d'air vers soi-même ou d'autres personnes. Il est le danger d'être projeté et d'être blessé par la pression d'air. Ne jamais utiliser un détendeur ou un régulateur de pression d'après chaque usage. *Ne jamais faire fonctionner le modèle sans le protecteur de course.* *Le projet part du compresseur sans que l'utilisateur s'en rende compte.*

CAUTION Attention! Do not adjust regulator to result in output pressure greater than marked maximum pressure of attachment. *Units without a regulator can air handling parts such as minimum 125 PSI (1 stage) or 200 PSI (2 stage).

DO NOT use compressed air for breathing. Use only for cleaning. Do not use compressed air to clean your face or body.

DO NOT use compressed air for breathing. Use only for cleaning. Do not use compressed air to clean your face or body.

UNLOADER VALVE START

CHECK OIL LEVEL in compressor before each use and fill accordingly.

AVERTISSEMENT Lire et comprendre attentivement les instructions de l'opérateur pour une utilisation sûre et l'entretien. Pour obtenir un manuel de remplacement, écrire à: Service des Compresseurs, 115 West Rock Street, Springfield, MN 55957

Risque de brûlure - Ne pas régler le régulateur à moins que la pression soit inférieure à la pression recommandée de l'attachement. *L'unité sans un régulateur sur les raccords peut causer des blessures graves ou la mort.*

NE PAS utiliser l'air comprimé pour respirer. Utilisez uniquement pour nettoyer. Ne pas utiliser l'air comprimé pour nettoyer votre visage ou votre corps.

NE PAS utiliser l'air comprimé pour respirer. Utilisez uniquement pour nettoyer. Ne pas utiliser l'air comprimé pour nettoyer votre visage ou votre corps.

AVERTISSEMENT Lire et comprendre attentivement les instructions de l'opérateur pour une utilisation sûre et l'entretien. Pour obtenir un manuel de remplacement, écrire à: Service des Compresseurs, 115 West Rock Street, Springfield, MN 55957

Risque d'étouffement - Ne pas régler le régulateur de pression de sortie à une pression supérieure à la pression recommandée pour l'accessoire - RIGOLE D'APPAREIL DU PÉRIODIQUE, caution l'opérateur et les blessures de la mort. Évitez l'utilisation abusive. Évitez l'utilisation abusive. Ne jamais respirer ou aspirer le contenu d'un accessoire.

Risque de blessure - Ne pas régler le jet d'air vers soi-même ou d'autres personnes. Il est le danger d'être projeté et d'être blessé par la pression d'air. Ne jamais utiliser un détendeur ou un régulateur de pression d'après chaque usage. *Ne jamais faire fonctionner le modèle sans le protecteur de course.* *Le projet part du compresseur sans que l'utilisateur s'en rende compte.*

AVERTISSEMENT Lire et comprendre attentivement les instructions de l'opérateur pour une utilisation sûre et l'entretien. Pour obtenir un manuel de remplacement, écrire à: Service des Compresseurs, 115 West Rock Street, Springfield, MN 55957

Risque d'étouffement - Ne pas régler le régulateur de pression de sortie à une pression supérieure à la pression recommandée pour l'accessoire - RIGOLE D'APPAREIL DU PÉRIODIQUE, caution l'opérateur et les blessures de la mort. Évitez l'utilisation abusive. Évitez l'utilisation abusive. Ne jamais respirer ou aspirer le contenu d'un accessoire.

Risque de blessure - Ne pas régler le jet d'air vers soi-même ou d'autres personnes. Il est le danger d'être projeté et d'être blessé par la pression d'air. Ne jamais utiliser un détendeur ou un régulateur de pression d'après chaque usage. *Ne jamais faire fonctionner le modèle sans le protecteur de course.* *Le projet part du compresseur sans que l'utilisateur s'en rende compte.*

WARNING HOT SURFACES: To reduce the risk of burns, do not touch exposed metal surfaces.

AVERTISSEMENT SURFACES CHAUDES: Pour réduire le risque de brûlures, ne touchez pas les surfaces métalliques exposées.

ADVERTENCIA SUPERFICIES CALIENTES: Para reducir el riesgo de quemaduras, no toque las superficies metálicas expuestas.

AVERTISSEMENT Lire et comprendre attentivement les instructions de l'opérateur pour une utilisation sûre et l'entretien. Pour obtenir un manuel de remplacement, écrire à: Service des Compresseurs, 115 West Rock Street, Springfield, MN 55957

Risque de brûlure - Ne pas régler le régulateur de pression de sortie à une pression supérieure à la pression recommandée de l'accessoire. *Les unités sans un régulateur sur les raccords peuvent causer des blessures graves ou la mort.*

NE PAS utiliser l'air comprimé pour respirer. Utilisez uniquement pour nettoyer. Ne pas utiliser l'air comprimé pour nettoyer votre visage ou votre corps.

NE PAS utiliser l'air comprimé pour respirer. Utilisez uniquement pour nettoyer. Ne pas utiliser l'air comprimé pour nettoyer votre visage ou votre corps.

AVERTISSEMENT Lire et comprendre attentivement les instructions de l'opérateur pour une utilisation sûre et l'entretien. Pour obtenir un manuel de remplacement, écrire à: Service des Compresseurs, 115 West Rock Street, Springfield, MN 55957

Risque d'étouffement - Ne pas régler le régulateur de pression de sortie à une pression supérieure à la pression recommandée pour l'accessoire - RIGOLE D'APPAREIL DU PÉRIODIQUE, caution l'opérateur et les blessures de la mort. Évitez l'utilisation abusive. Évitez l'utilisation abusive. Ne jamais respirer ou aspirer le contenu d'un accessoire.

Risque de blessure - Ne pas régler le jet d'air vers soi-même ou d'autres personnes. Il est le danger d'être projeté et d'être blessé par la pression d'air. Ne jamais utiliser un détendeur ou un régulateur de pression d'après chaque usage. *Ne jamais faire fonctionner le modèle sans le protecteur de course.* *Le projet part du compresseur sans que l'utilisateur s'en rende compte.*

AVERTISSEMENT Lire et comprendre attentivement les instructions de l'opérateur pour une utilisation sûre et l'entretien. Pour obtenir un manuel de remplacement, écrire à: Service des Compresseurs, 115 West Rock Street, Springfield, MN 55957

Risque d'étouffement - Ne pas régler le régulateur de pression de sortie à une pression supérieure à la pression recommandée pour l'accessoire - RIGOLE D'APPAREIL DU PÉRIODIQUE, caution l'opérateur et les blessures de la mort. Évitez l'utilisation abusive. Évitez l'utilisation abusive. Ne jamais respirer ou aspirer le contenu d'un accessoire.

Risque de blessure - Ne pas régler le jet d'air vers soi-même ou d'autres personnes. Il est le danger d'être projeté et d'être blessé par la pression d'air. Ne jamais utiliser un détendeur ou un régulateur de pression d'après chaque usage. *Ne jamais faire fonctionner le modèle sans le protecteur de course.* *Le projet part du compresseur sans que l'utilisateur s'en rende compte.*

GLOSSARY

CFM: Cubic feet per minute.
SCFM: Standard cubic feet per minute; a unit of measure of air delivery.

PSI: Pounds per square inch; a unit of measure of pressure.

Code Certification: Products that bear one or more of the following marks: UL®*, CUL, ETL®*, CETL, have been evaluated by OSHA certified independent safety laboratories and meet the applicable Standards for Safety.

*UL® is a registered trademark of Underwriters Laboratories and ETL® is a registered trademark of Electrical Testing Laboratories.

California Code: Unit may comply with California Code 462 (l) (2)/(M) (2). Specification/model label is on the side of the air tank on units that comply with California Code.

Unloader Blow-Off Pressure: All models are continuous running units controlled by air tank pressure. When the maximum air tank pressure is obtained, the unloader valve will blow-off. This will cause the compressor to exhaust the air to the atmosphere and not the tank. This decreases the load on the engine and allows it to run at a near no-load condition.

Unloader Reset Pressure: When the air tank pressure drops to a predetermined point, the unloader valve closes. The air tank pressure will now increase until it reaches the unloader blow-off pressure.

Compresseur d'air

- A. Filtre d'admission d'air de la pompe
- B. Filtre d'admission d'air du moteur
- C. Commutateur START (démarrage)/RUN (marche)/OFF (arrêt) du moteur
- D. Manomètre du réservoir d'air
- E. Sortie d'air
- F. Soupape de décompression
- G. Soupape de sûreté
- H. Soupape de purge du réservoir d'air
- I. Jauge graduée de l'huile de la pompe/Bouchon de remplissage d'huile
- J. Bouchon de vidange d'huile de la pompe
- K. Étrangleur fixe
- L. Commande d'étrangleur
- M. Levier du robinet à essence
- N. Poignée du démarreur
- O. Clapet

Caractéristiques techniques de la pompe

Deux cylindres

Deux-étagée

Lubrifiée à l'huile

Carter en fonte et piston et culasse en

Poids : 62 kg (136 lb)

Capacité en huile : 1567 ml (53 onces)

Caractéristiques techniques du moteur

Honda 389 cc

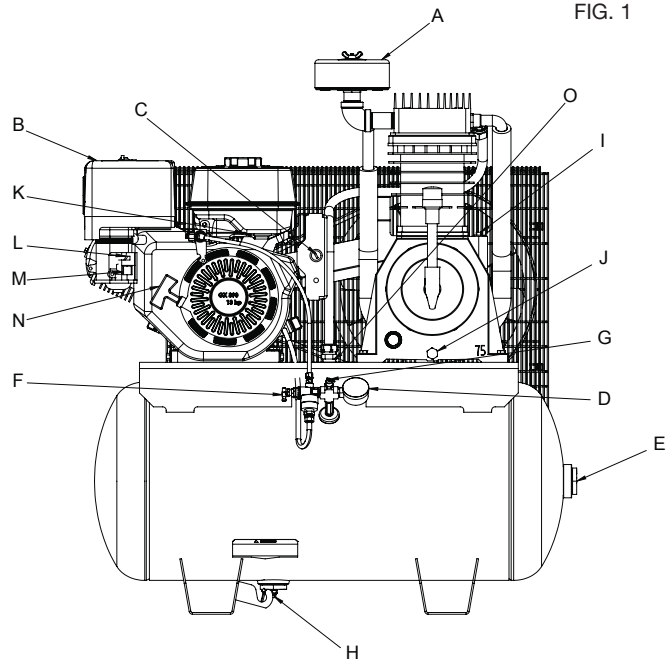
Combustion interne

4 temps

Régime élevé 3600

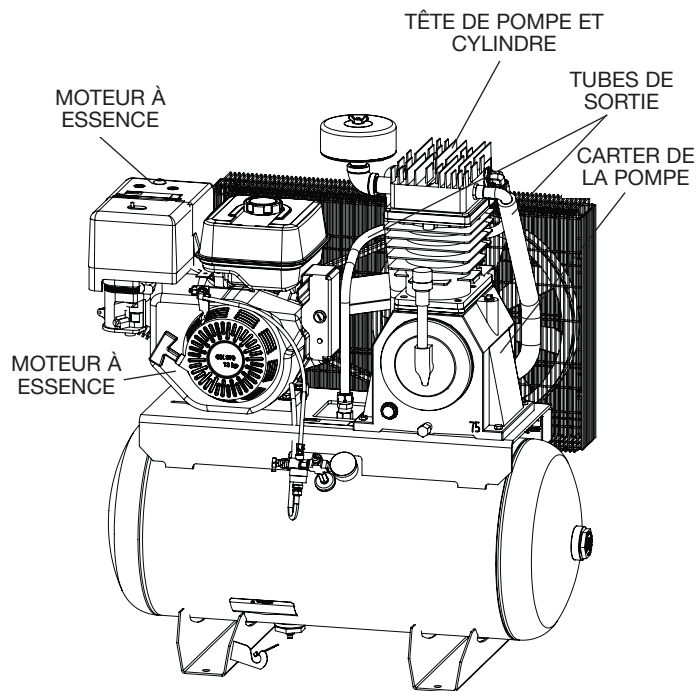
Fiche technique

| | |
|-------------------------------------|---------------------------|
| MODÈLE | DXCMH1393075 |
| POIDS | 225,4 kg (497 lb) |
| HAUTEUR | 1178.6 mm (46.4") |
| LARGEUR | 495.3 mm (19.5") |
| LONGUEUR | 1066.8 mm (42") |
| CAPACITÉ DU RÉSERVOIR D'AIR | 113,6 liters (30 gallons) |
| ENV. PRESSION DE ÉCLENCEMENT | 175 psi |



Surfaces chaudes

FIG. 2



Définitions : lignes directrices en matière de sécurité

Les définitions ci-dessous décrivent le niveau de gravité pour chaque symbole. Veuillez lire le mode d'emploi et porter une attention particulière à ces symboles.

▲DANGER : Indique une situation dangereuse imminente qui, si elle n'est pas évitée, causera la mort ou des blessures graves.

▲AVERTISSEMENT : Indique une situation potentiellement dangereuse qui, si elle n'est pas évitée, pourrait se solder par un décès ou des blessures graves.

▲ATTENTION : Indique une situation potentiellement dangereuse qui, si elle n'est pas évitée pourrait se solder par des blessures mineures ou modérées.

AVIS : Indique une pratique ne posant aucun risque de dommages corporels mais qui par contre, si rien n'est fait pour l'éviter, pourrait poser des risques de dommages matériels.

POUR TOUTES QUESTIONS OU COMMENTAIRES RELATIFS(VÉS)
À L'OUTIL OU À PROPOS DE TOUT AUTRE OUTIL DEWALT,
COMPOSER SANS FRAIS LE : 1-888-895-4549

Directives de sécurité importantes

▲DANGER : Monoxyde de carbone. Le fonctionnement d'un moteur à l'intérieur vous tuera en quelques minutes. L'échappement du moteur contient des niveaux élevés de monoxyde de carbone (CO), un gaz toxique, inodore et invisible. Il est possible que vous inhaliez du CO même EN L'ABSENCE de l'odeur de l'échappement du moteur.

- **NE JAMAIS** utiliser un moteur à l'intérieur d'une habitation, d'un garage, d'un vide sanitaire ou de tout espace partiellement clos. Ces endroits peuvent accumuler des niveaux mortels de monoxyde de carbone. L'utilisation d'un ventilateur

ou l'ouverture des fenêtres et portes **NE FOURNIT** pas assez d'air frais.

- Utiliser **UNIQUEMENT** à l'extérieur et loin de fenêtres, portes et événements ouverts. En effets, ces ouvertures peuvent aspirer l'échappement du moteur à l'intérieur d'un espace.
- Même lors de l'utilisation correcte du moteur, le CO pourrait pénétrer dans votre maison. **TOUJOURS** utiliser un avertisseur de CO alimenté à pile ou un avertisseur de CO de secours à pile (non fourni) dans la maison. Lire et respecter toutes les directives de l'avertisseur de CO avant son utilisation. En cas de malaise, d'étourdissement ou de faiblesse, à tout moment, se déplacer à l'air frais immédiatement. Consulter un médecin. Ce sont des signes d'intoxication par le monoxyde de carbone.

▲AVERTISSEMENT : Ne pas utiliser l'appareil avant d'avoir lu le mode d'emploi, et celui du moteur ainsi que l'intégralité des directives de sécurité, d'utilisation et d'entretien.

▲AVERTISSEMENT : Il est possible que le produit ne soit pas doté d'un silencieux avec pare-étincelles. Si le produit n'en est pas doté et qu'il est destiné à être utilisé près de matières inflammables ou sur un terrain cultivé ou couvert d'arbres, arbustes, herbes ou autres matières similaires, alors l'installation d'un pare-étincelles homologué est obligatoire et exigée par la loi dans l'État de Californie. L'absence de pare-étincelles est en violation des articles 130050 et/ou articles 4442 et 4443 du California Public Resources Code, à moins que le moteur ne soit muni d'un pare-étincelles comme stipulé à l'article 4442 et tenu en bon état de fonctionnement. Les pare-étincelles sont exigés sur certaines terres du Service des forêts américain et peuvent être également exigés par d'autres législations ou ordonnances.

▲AVERTISSEMENT: CONTIENT DU PLOMB. Peut être nocif s'il

est ingéré ou mâché. Peut générer de la poussière contenant du plomb. Se laver les mains après usage. Garder hors de la portée des enfants.

⚠️AVERTISSEMENT : Ce produit pourrait vous exposer à des produits chimiques, y compris Plomb, reconnu par l'État de Californie comme cause de cancer, malformations congénitales ou autres problèmes du système de reproduction. Pour obtenir plus d'information, visitez www.P65Warnings.ca.gov.

CONSERVER CES DIRECTIVES



⚠️DANGER : RISQUE D'EXPLOSION OU D'INCENDIE

CE QUI PEUT SE PRODUIRE

- L'essence renversée et ses vapeurs peuvent s'enflammer à partir d'étincelles de cigarettes, d'arcs électriques, de gaz d'échappement et de composants chauds du moteur comme le silencieux.
- Le combustible du réservoir se dilate sous l'effet de la chaleur et pourrait se solder par un déversement et un incendie ou une explosion.

COMMENT L'ÉVITER

- Éteindre le moteur et le laisser refroidir avant de faire l'appoint d'essence.
- Être attentif et éviter de déverser de l'essence lors du remplissage du réservoir. Déplacer l'appareil hors de la zone de remplissage avant de démarrer le moteur.
- Pour permettre l'effet de dilatation, laisser 12,7 mm (1/2 po) de dégagement sous le bord du goulot de remplissage lors du plein d'essence.

- **Les matériaux combustibles qui touchent les pièces chaudes du moteur risquent de s'enflammer.**
- Faire le plein d'essence à l'extérieur dans une zone bien aérée. S'assurer de l'absence de source d'inflammation près de la zone de ravitaillement, comme des cigarettes.
- Utiliser le compresseur dans une zone propre, sèche et bien aérée à une distance d'au moins 1,22 mètres (48 po) de tout édifice, objet ou mur. Ne pas utiliser l'appareil à l'intérieur ou dans un endroit exigu.
- L'utiliser uniquement dans un endroit ouvert loin de broussailles ou d'herbes sèches ou de tout autre matériel combustible.
- De l'essence mal entreposée pourrait provoquer un allumage (incendie) accidentel. Ranger l'essence de façon sécuritaire pour en empêcher l'accès aux enfants et à toutes autres personnes non qualifiées.
- Entreposer l'essence dans un contenant homologué par l'OSHA (Santé et sécurité du travail) dans un emplacement sécuritaire loin de la zone de travail.

- **Le fonctionnement de ce produit sans surveillance pourrait se solder par des blessures personnelles ou des dommages à la propriété. Afin de réduire le risque d'incendie, ne pas laisser le compresseur fonctionner sans surveillance.**
- Être toujours présent lorsque le produit est en marche.



▲DANGER : RISQUE REPIRATOIRE (ASPHYXIE)

CE QUI PEUT SE PRODUIRE

COMMENT L'ÉVITER

- | | |
|--|--|
| <ul style="list-style-type: none"> • Il est dangereux de respirer l'air comprimé sortant du compresseur. Le flux d'air peut contenir du monoxyde de carbone, des vapeurs toxiques ou des particules solides provenant du réservoir d'air. La respiration de ces contaminants peut causer de sérieuses blessures, voire la mort. • Une exposition aux produits chimiques présents dans la poussière générée par les activités de ponçage, sciage, meulage, perçage et autres, peut être nocive • Les matériaux vaporisés comme la peinture, les solvants de peinture, les décapants, les insecticides, les herbicides, pourraient contenir des vapeurs nocives et du poison. | <ul style="list-style-type: none"> • Ne jamais utiliser l'air obtenu directement du compresseur pour l'alimentation en air destinée à la consommation humaine. Le compresseur n'est pas muni de filtres et d'équipement de sécurité en ligne qui conviennent à la consommation humaine. • Travailler dans un endroit ayant une bonne aération transversale. Lire et respecter les directives en matière de sécurité imprimées sur l'étiquette ou les fiches signalétiques des matériaux qui sont pulvérisés. Toujours utiliser un équipement de sécurité homologué : une protection respiratoire conforme aux normes NIOSH/OSHA, ou un masque facial bien ajusté, conçus spécifiquement pour votre utilisation particulière. |
|--|--|



▲ DANGER : RISQUE D'ÉCLATEMENT

Réservoir d'air comprimé : Le 26 février 2002, la U.S. Consumer Product Safety Commission américaine a publié la règle n° 02-108 portant sur la sécurité en matière de réservoir d'air comprimé des compresseurs :

Les réservoirs d'air comprimé des compresseurs n'ont pas une durée de vie illimitée. La durée de vie des réservoirs dépend de plusieurs facteurs, qui comprennent entre autres : les conditions d'utilisation, les conditions ambiantes, une installation adéquate, les modifications sur site, et le niveau de maintenance. L'effet exact que peut avoir ces facteurs sur la durée de vie des réservoirs d'air est difficilement prévisible.

Si les procédures adéquates de maintenance ne sont pas suivies, la corrosion sur la paroi interne du réservoir d'air comprimé peut faire que celui-ci éclate de façon inopinée laissant soudainement l'air pressurisé s'échapper avec force, posant ainsi des risques de dommages corporels à l'utilisateur.

Le réservoir d'air de votre compresseur doit être mis hors service à la fin de l'année mentionnée sur l'étiquette d'avertissement apposée sur le réservoir.

Les conditions suivantes peuvent amener la dégradation du réservoir d'air, et faire que ce dernier explose violemment :

CE QUI PEUT SE PRODUIRE

- L'eau condensée n'est pas correctement vidangée du réservoir d'air provoquant ainsi la formation de rouille et un amincissement du réservoir d'air en acier.
- Modifications apportées au réservoir d'air ou tentatives de réparation.
- Des modifications non autorisées de la soupape de décompression, de la soupape de sûreté ou de tous autres composants qui régissent la pression du réservoir d'air.

COMMENT L'ÉVITER

- Vidanger le réservoir d'air quotidiennement ou après chaque utilisation. Si le réservoir présente une fuite, le remplacer immédiatement par un nouveau réservoir d'air ou par un nouveau compresseur.
- Ne jamais percer un trou dans le réservoir d'air ou ses accessoires, y faire de la soudure ou y apporter quelque modification que ce soit. Ne jamais essayer de réparer un réservoir d'air endommagé ou avec des fuites. Le remplacer par un nouveau réservoir d'air.
- Le réservoir d'air a été conçu pour supporter des pressions spécifiques de fonctionnement. Ne faites jamais effectuer de réglages ou de substitutions de pièces en vue de modifier les pressions de fonctionnement réglées en usine.

- Une vibration excessive peut affaiblir le réservoir d'air et provoquer une rupture ou une explosion. Les vibrations excessives se produisent si le compresseur n'est pas bien assemblé ou si le moteur tourne à un régime plus élevé que celui recommandé.
- Ne pas retirer le raidisseur qui fixe la pompe du compresseur au moteur sauf lors du réglage de la tension de la courroie puis serrer solidement les boulons du raidisseur. Il contrôle les vibrations de l'appareil.

Attachements et accessoires :

- Lorsqu'on excède la pression nominale des outils pneumatiques, des pistolets pulvérisateurs, des accessoires à commande pneumatique, des pneus et d'autres dispositifs pneumatiques, on risque de les faire exploser ou de les projeter et ainsi entraîner des blessures graves.
- Respecter les recommandations du fabricant de l'équipement et ne jamais dépasser la pression nominale maximale permise des accessoires. Ne jamais utiliser le compresseur pour gonfler de petits objets à basse pression comme des jouets d'enfant, des ballons de football et de basketball, etc.

Pneus :

- Des pneus surgonflés pourraient provoquer des blessures graves et des dommages à la propriété.
- Utiliser un manomètre pour vérifier la pression des pneus avant chaque utilisation et lors du gonflage; consulter le flanc de pneu pour obtenir la pression correcte.
REMARQUE : Les réservoirs d'air comprimé, compresseurs et autres équipements similaires utilisés pour gonfler les pneus peuvent remplir ces derniers très rapidement. Régler le régulateur de pression d'air à une pression moindre que celle indiquée sur le pneu. Ajouter de l'air par petite quantité et utiliser fréquemment le manomètre pour empêcher un surgonflage.



⚠ DANGER : RISQUE DE BLESSURES OU DE DOMMAGES À LA PROPRIÉTÉ LORS DU TRANSPORT OU DU RANGEMENT

CE QUI PEUT SE PRODUIRE

- L'huile peut fuir ou se déverser. Cela pourrait se solder par un incendie ou un danger d'inhalation; des blessures graves ou un décès. Les fuites d'huile endommageront le tapis, la peinture ou toutes autres surfaces de véhicules ou de remorques.

COMMENT L'ÉVITER

- Toujours installer le compresseur sur un revêtement protecteur lors du transport pour protéger le véhicule de tous dommages associés aux fuites. Retirer immédiatement le compresseur du véhicule dès l'arrivée à destination. Toujours tenir le compresseur à niveau et ne jamais le déposer sur son côté.



⚠ AVERTISSEMENT : RISQUE PROVENANT DES OBJETS PROJÉTÉS EN L'AIR

CE QUI PEUT SE PRODUIRE

- Le flux d'air comprimé peut endommager les tissus mous de la peau exposée et peut projeter la poussière, des fragments, des particules détachées et des petits objets à haute vitesse, ce qui entraînerait des dommages et des blessures personnelles.

COMMENT L'ÉVITER

- Toujours utiliser de l'équipement de sécurité homologué : protection oculaire conforme à la norme ANSI Z87.1 (CAN/CSA Z94.3) munie d'écrans latéraux lors de l'utilisation du compresseur.
- Ne jamais pointer une buse ou un pulvérisateur vers une partie du corps ou vers d'autres personnes ou des animaux.
- Toujours mettre le compresseur hors tension et purger la pression du tuyau à air et du réservoir d'air avant d'effectuer l'entretien, de fixer des outils ou des accessoires.



⚠ AVERTISSEMENT : ATTENTION SURFACES CHAUDES
CE QUI PEUT SE PRODUIRE **COMMENT L'ÉVITER**

- Toucher à du métal exposé comme la tête du compresseur ou du moteur, la tubulure des gaz d'échappement ou de sortie, peut se solder en de sérieuses brûlures.
- Ne jamais toucher à des pièces métalliques exposées sur le compresseur pendant ou immédiatement après son utilisation. Le compresseur restera chaud pendant plusieurs minutes après son utilisation.
- Ne pas toucher ni effectuer des réparations aux coiffes de protection avant que l'appareil n'ait refroidi.



⚠ AVERTISSEMENT : RISQUE ASSOCIÉ À UTILISATION DANGEREUSE
CE QUI PEUT SE PRODUIRE **COMMENT L'ÉVITER**

- Une utilisation dangereuse de votre compresseur d'air pourrait provoquer de graves blessures, voire votre décès ou celle d'autres personnes.
- Revoir et comprendre toutes les directives et les avertissements contenus dans le présent mode d'emploi.
- Se familiariser avec le fonctionnement et les commandes du compresseur d'air.
- Dégager la zone de travail de toutes personnes, animaux et obstacles.
- Tenir les enfants hors de portée du compresseur d'air en tout temps.
- Ne pas utiliser le produit en cas de fatigue ou sous l'emprise d'alcool ou de drogues. Rester vigilant en tout temps.
- Ne jamais rendre inopérant les fonctionnalités de sécurité du produit.
- Installer un extincteur dans la zone de travail.
- Ne pas utiliser l'appareil lorsqu'il manque des pièces ou que des pièces sont brisées ou non autorisées.
- Ne jamais se tenir debout sur le compresseur.



⚠ AVERTISSEMENT : RISQUE ASSOCIÉ AUX PIÈCES MOBILES

CE QUI PEUT SE PRODUIRE

- Le moteur peut démarrer accidentellement si le volant est tourné manuellement ou par l'action de la corde de lancement.
- Les pièces mobiles comme une poulie, un volant ou une courroie peuvent provoquer de graves blessures si elles entrent en contact avec vous ou vos vêtements.

COMMENT L'ÉVITER

- Toujours déconnecter la bougie et purger la pression du réservoir d'air avant d'effectuer un entretien.
- Ne jamais utiliser le compresseur si les protecteurs ou les couvercles sont endommagés ou retirés.
- Garder les cheveux, les vêtements et les gants à l'écart des pièces mobiles. Les vêtements amples, bijoux ou cheveux longs peuvent s'enchevêtrer dans les pièces mobiles.
- S'éloigner des événements car ces derniers pourraient camoufler des pièces mobiles.

- Utiliser le compresseur avec des pièces endommagées ou manquantes ou le réparer sans coiffes de protection risque de vous exposer à des pièces mobiles et peut se solder par de graves blessures.

- Toutes les réparations requises pour ce produit devraient être effectuées par un centre de réparation de l'usine DEWALT ou un centre de réparation agréé DEWALT.



⚠ ATTENTION : RISQUES CAUSÉS PAR LE BRUIT

CE QUI PEUT SE PRODUIRE

- Dans certaines conditions et selon la durée d'utilisation, le bruit provoqué par ce produit peut contribuer à une perte auditive.

COMMENT L'ÉVITER

- Toujours utiliser un équipement de sécurité homologué : protection auditive conforme à la norme ANSI S12.6 (S3.19).

CONSERVER CES CONSIGNES POUR UTILISATION ULTÉRIEURE

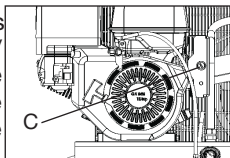
FAMILIARISEZ-VOUS AVEC VOTRE COMPRESSEUR D'AIR

LISEZ CE GUIDE DE L'UTILISATEUR ET TOUTES LES MESURES DE SÉCURITÉ AVANT D'UTILISER CET APPAREIL. Comparez les illustrations à votre appareil pour vous familiariser avec l'emplacement des commandes et boutons de réglage. Conservez ce guide pour références ultérieures.

CARACTÉRISTIQUES (reportez-vous à Fig. 1, p 32)

DÉMARRAGE ÉLECTRIQUE

Le commutateur du moteur (C) comporte trois positions : START (démarrage)/RUN (marche)/OFF (arrêt). Pour les directives complètes de démarrage, consulter la rubrique **Démarrage** dans la section procédures de **Fonctionnement**.

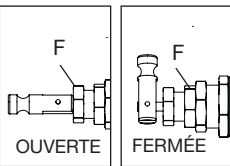


SOUPE DE DÉCOMPRESSION

La soupape de décompression (F) du réservoir d'air se purgera dès que la pression maximale du réservoir est atteinte. Ainsi, le compresseur évacuera l'air dans l'atmosphère et non dans le réservoir.

Blocage manuel : Le blocage manuel vous permet de décompresser la pression du réservoir d'air du compresseur. Utilisation du blocage manuel :

Mettre le levier de décompression du blocage manuel en position **ouverte** pour empêcher l'accumulation de pression dans le réservoir d'air. Mettre le levier de décompression du blocage manuel en position **fermée** après le démarrage moteur pour permettre le développement de la pression dans le réservoir.

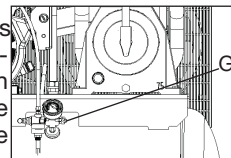


REMARQUE : La pression ne se développera pas si le levier de

décompression du blocage manuel est en position **ouverte**.

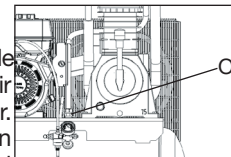
SOUPE DE SÛRETÉ

La soupape (G) est conçue pour prévenir des défaillances système en décompressant celui-ci lorsque le compresseur d'air atteint un niveau préétabli. La soupape est réglée par le fabricant et ne doit pas être retirée ou modifiée de quelque manière que ce soit.



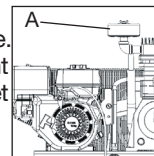
CLAPET

Lorsque le compresseur d'air fonctionne, le clapet (O) est ouvert, ce qui permet à l'air comprimé d'entrer dans le réservoir d'air. Lorsque le compresseur d'air atteint la pression de déclenchement, le clapet se ferme, ce qui permet à la pression d'air de rester dans le réservoir d'air.



FILTRE D'ADMISSION D'AIR

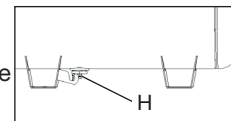
Le filtre (A) sert à purifier l'air qui entre dans la pompe. Pour que la pompe reçoive un flux d'air constant propre, froid et sec, le filtre doit toujours être propre et l'entrée d'air doit être exempte d'obstructions.



SOUPE DE PURGE DU RÉSERVOIR

D'AIR

Le robinet de purge (H) se trouve à la base du réservoir d'air et est utilisé pour vidanger la condensation à la fin de chaque utilisation. Consulter le chapitre Vidange du réservoir sous **Entretien**.



MANOMÈTRE DU RÉSERVOIR D'AIR

Le manomètre du réservoir d'air (D) indique la pression dans le réservoir d'air.

ROBINET À SOUPAPE / SORTIE DE DÉCHARGE D'AIR:

(vendu séparément, non illustré) Ouvre et ferme le circuit de

distribution d'air du compresseur.

RÉGULATEUR (vendu séparément, pas illustré) : Pour la plupart des applications, nous recommandons l'utilisation d'un régulateur de pression d'air ou d'un épurateur d'air séparé qui relie les fonctions de réglage de l'air et(ou) d'enlèvement de l'humidité et des saletés.

POMPE DE COMPRESSEUR D'AIR

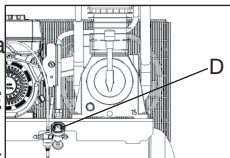
La pompe compresse l'air dans le réservoir d'air. L'air de travail n'est pas disponible avant que le compresseur ait augmenté la pression du réservoir d'air au-dessus de ce qui est requis à la sortie d'air.

MOTEUR À ESSENCE

Le moteur à essence actionne la pompe. Le moteur entraîne une poulie et une courroie qui transfèrent la puissance du moteur aux pistons de la pompe par l'intermédiaire d'un volant-moteur et d'un vilebrequin. Le ventilateur du volant-moteur contribue au refroidissement de la pompe.

CONTRÔLE DE L'ÉTRANGLEUR

Une fois la pression maximale du réservoir d'air atteinte et que la soupape de décompression décompresse le récipient, cette action active le contrôle de l'étrangleur du moteur. Cette fonctionnalité d'économie d'essence maintient le moteur au ralenti (régime préétabli en usine) jusqu'à ce que la pression du réservoir d'air chute à la



pression pré-réglée. La soupape de décompression réenclenche alors le contrôle de l'étrangleur et le moteur accélère à plein régime.

CAPTEUR DE BAS NIVEAU D'HUILE QUI COMMANDE L'ARRÊT MOTEUR

Le moteur du compresseur d'air est doté d'un capteur de bas niveau d'huile qui commande l'arrêt moteur. Le dispositif de sûreté est conçu pour protéger le moteur de dommages dans les cas où le niveau d'huile dans le carter est sous le niveau minimum.

Si le niveau d'huile du moteur baisse lors du fonctionnement du compresseur d'air, le moteur sera automatiquement mis hors tension et ne redémarrera pas tant que l'appoint d'huile moteur n'ait été effectué. Si le niveau d'huile est bas avant le démarrage, le moteur refusera de démarrer sans appoint d'huile.

REMARQUE : Le capteur de bas niveau d'huile qui commande l'arrêt moteur est très sensible. On doit faire l'appoint d'huile moteur jusqu'au repère « plein » de la jauge pour désactiver le dispositif de sûreté.

INSTALLATION

Assemblage (reportez-vous à Fig. 1, p 32)

Sortez le compresseur d'air de sa boîte. Inspectez-le pour vous assurer qu'il n'est pas endommagé. S'il a été endommagé pendant le transport, référez-vous à l'étiquette de transport et déclarez les dommages aux transporteurs. Faites cette démarche immédiatement étant donné les délais limites des demandes d'indemnisation.

Le carton doit contenir:

- compresseur d'air
- les tampons d'amortissement de vibrations (qté 4)
- manuel de l'opérateur et manuel de pièces
- manuel de moteur

Vérifiez l'étiquette du numéro de série du compresseur pour vous assurer qu'il s'agit bien du modèle commandé et que la pression nominale est conforme à l'utilisation prévue.

RACCORDEMENT DES TUYAUX

⚠AVERTISSEMENT : *Risque d'utilisation dangereuse. Saisir fermement le tuyau en main lors du raccordement ou de la déconnexion pour empêcher un à-coup du tuyau.*

1. Tirez l'anneau de la soupape de sûreté pour permettre à l'air de purger du réservoir jusqu'à ce que la pression dans le réservoir se situe à 0 lb/po2. Relâchez l'anneau de la soupape de sûreté.
2. Enrouler un ruban d'étanchéité sur le filetage de tuyau.
3. Raccorder le ou le tuyau à la ou aux sortie d'air (E).

IMPORTANT : *Ne pas assembler de distributeurs directement sur la ou le sortie d'air (E).*

REMARQUE : *La fixation de pièces à dégagement rapide aux sortie d'air et de bouchons à dégagement rapide aux embouts de tuyau facilite la connexion et la déconnexion des tuyau. Les pièces et les embouts à dégagement rapide sont disponibles auprès de votre distributeur ou centre de réparation agréé régional.*

DÉCONNEXION DES TUYAUX

⚠AVERTISSEMENT : *Risque d'utilisation dangereuse. Saisir fermement le tuyau en main lors du raccordement ou de la déconnexion pour empêcher un à-coup du tuyau.*

1. Tirez l'anneau de la soupape de sûreté pour permettre à l'air de purger du réservoir jusqu'à ce que la pression dans le réservoir se situe à 0 lb/po2. Relâchez l'anneau de la soupape de sûreté.
2. Retirer le ou les tuyau de la ou de sortie d'air (E).

Lubrification et huile

MOTEUR

1. Le fabricant a fait le plein d'huile moteur **EN** usine. Vérifier le niveau d'huile moteur avant d'utiliser l'appareil. Le cas échéant, faire l'appoint au niveau approprié avec l'huile recommandée. Consulter le mode d'emploi du moteur, fourni par le fabricant de celui-ci, pour la bonne procédure.
2. Ajouter de l'essence. Consulter le mode d'emploi du moteur, fourni par le fabricant de celui-ci, pour la bonne procédure.

⚠AVERTISSEMENT : *Risque d'explosion ou d'incendie. Les vapeurs d'essence sont hautement inflammables. Faire le plein de préférence à l'extérieur ou seulement dans des endroits bien aérés. Ne pas faire le plein ou ne pas vérifier le niveau d'essence avec le moteur en marche. Ne pas ranger l'essence, ni la déverser ou l'utiliser près d'une flamme nue, d'une source d'étincelles (comme la soudure) ou d'équipement électrique en fonctionnement.*

COMPRESSEUR D'AIR

Le fabricant a fait le plein d'huile de pompe **EN** usine. Vérifier le niveau d'huile de la pompe avant de l'utiliser. Consulter la rubrique **Huile de la pompe du compresseur** sous *Entretien*.

Compatibilité

Les outils pneumatiques et les accessoires utilisés avec le compresseur doivent être compatibles avec des produits dérivés du pétrole. En cas d'incompatibilité probable avec des dérivés du pétrole, utiliser un filtre de canalisation d'air pour retirer l'humidité et les vapeurs d'huile du compresseur d'air.

REMARQUE : Toujours utiliser un filtre de canalisation d'air pour retirer l'humidité et les vapeurs d'huile lors de la pulvérisation de peinture.

Emplacement

⚠AVERTISSEMENT : Risque associé à l'inhalation. L'échappement du moteur à essence contient du monoxyde de carbone mortel; gaz inodore et toxique. Utiliser le moteur uniquement dans des zones bien ventilées.

AVIS : Risque de dommages à la propriété. En cours de fonctionnement, ne pas incliner le compresseur d'air plus de 10° pour éviter tout dommage.

Installer le compresseur d'air à au moins 1,2 m (4 pi) d'obstacles qui pourraient gêner une bonne aération. Éloigner l'appareil des zones à atmosphère chargée de saletés, de vapeurs et d'émanations. Ceux-ci pourraient boucher le filtre et les soupapes d'admission et s'y agglutiner nuisant ainsi au bon fonctionnement du compresseur d'air.

ENVIRONNEMENTS FRAIS

Dans les environnements souvent frais, il y a risque de formation d'humidité dans la pompe et de boue dans l'huile. Ceux-ci provoquent une usure prématurée des pièces mobiles. Un excès d'humidité survient principalement dans les environnements non chauffés où l'appareil est soumis à de grandes variations thermiques. On reconnaît l'humidité excessive en présence de deux signes : la formation condensation externe sur la pompe lorsqu'elle refroidit et de l'apparence « laiteuse » de l'huile du compresseur. Il est possible d'empêcher la formation d'humidité dans la pompe en augmentant la circulation d'air ou en utilisant le compresseur d'air plus longtemps.

REMARQUES À PROPOS DU BRUIT

Consulter les organismes de réglementation de votre région pour connaître les niveaux de bruit tolérés. Pour réduire le bruit excessif, utiliser un montage antivibratile ou des atténuateurs sonores. Repositionner l'appareil ou construire une enceinte close ou des murs déflecteurs. Communiquer avec un centre de réparation DEWALT ou composer le 1-888-895-4549 pour obtenir de l'aide.

Ancrage du compresseur d'air

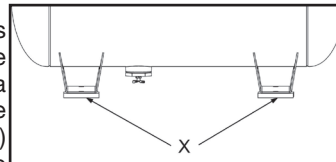
⚠AVERTISSEMENT : Risque d'éclatement. Un niveau de vibrations excessif peut affaiblir le réservoir d'air et causer une explosion. Le compresseur doit être fixé de façon appropriée.

Le compresseur à air DOIT être ancré à une surface solide.

Enlevez le compresseur de la palette d'expédition et placez-le sur le sol ou sur une surface dure et horizontale. Le compresseur doit être de niveau pour assurer le graissage de la pompe et une vidange correcte de l'eau condensée dans le réservoir récepteur.

La palette d'expédition n'est pas conçue pour servir de base à un compresseur en marche. L'utilisation d'un compresseur toujours en place sur la palette entraîne l'annulation de la garantie.

Pour éviter tout endommagement du réservoir et de la pompe, des cales doivent être placées sous le réservoir de façon à ce que la pompe soit de niveau, avec une variation maximum de 3 mm (1/8") par pied courant, fin que l'huile soit correctement répartie. Fixez-les pieds du réservoir dans le sol mais ne les forcez JAMAIS lors du serrage si des cales n'ont pas été placées. Nous recommandons également d'utiliser des tampons d'amortissement de vibrations (094-0137) sous les pieds du réservoir (voir X).



Fixez-les pieds du réservoir dans le sol mais ne les forcez JAMAIS lors du serrage si des cales n'ont pas été placées. Nous recommandons également d'utiliser des tampons d'amortissement de vibrations (094-0137) sous les pieds du réservoir (voir X).

REMARQUE : Si le compresseur est monté sur un véhicule, celui-ci doit être garé sur une surface horizontale lorsque que le compresseur est utilisé. Cela permet d'assurer une lubrification correcte de la pompe et du moteur à essence.

RACCORDEMENT D'UNE BATTERIE

1. **Batterie** : 12 volts ont scellé la batterie avec un ampère minimum l'estimation d'heure de 18 oh est exigée (batterie non incluse).
2. **Câbles de batterie** : Choisissez les câbles de batterie pour éviter plus grand que la baisse de .05 volt dans le câble pendant le moteur de démarreur opération.
3. **Taille et longueur de câble de batterie** : (Longueur de mesure X)
Câble positif : Maximum de m du numéro 4 x 1.5 d'A.W.G. (5.0 pi).
Câble négatif : Maximum de m du numéro 4 x 2.3 d'A.W.G. (7.5 pi).
4. **Précautions de câblage** :
 - A. Reliez le câble positif de batterie (+) au borne de solénoïde de démarreur.
 - B. Reliez le câble négatif de batterie (-) au boulon de fixation d'armature de carter de vilebrequin de moteur ou de moteur.
 - C. Ne conduisez pas les câbles de batterie dessus ou ne vous approchez pas de chaud, pièces en rotation en mouvement ou ou bords pointus. Maintenez câbles de batterie et fils électriques à partir du carburant ligne.
 - D. Protégez les raccordements électriques positifs avec une couverture ou isolation.

Le défaut de brancher et de débrancher la batterie dans le bon ordre peut endommager l'équipement. Assurez-vous que les bornes de la batterie soient bien propres et permettent un raccord solide.

⚠AVERTISSEMENT : Enlever le câble de la borne négative (-) de la batterie avant de procéder à l'entretien.

L'entretien de la batterie doit être effectué ou supervisé par un personnel compétent et connaissant les précautions requises. Ne pas laisser des personnes non autorisées s'occuper de la batterie.

CONSIGNES DE SÉCURITÉ POUR LA BATTERIE

⚠AVERTISSEMENT : Les batteries au plomb et à l'acide présentent un risque d'incendie car elles produisent de hydrogène. Suivre les procédures ci-dessous :

- Ne pas fumer à proximité d'une batterie.
- Na pas faire de flamme ni d'étincelle à proximité d'une batterie.
- Décharger l'électricité statique du corps avant de toucher une batterie en touchant à une surface métallique mise à la terre.
- Ne pas jeter les batteries au feu. Elles peuvent exploser.
- Ne jamais ouvrir ou abîmer une batterie. L'électrolyte libéré est nocif pour la peau et les yeux et est reconnu comme toxique.

⚠AVERTISSEMENT : Une batterie présente un risque de choc électrique et un très fort courant en court-circuit. Observer les précautions suivantes lors des travaux sur la batterie :

- Enlever les montres, les bagues et tout autre objet métallique.
- Utiliser des outils à manche isolé.
- Porter des gants de caoutchouc.
- Ne pas déposer d'outils ou de pièces métalliques sur le dessus de la batterie.
- Débrancher le chargeur avant de connecter ou de déconnecter les bornes de la batterie.

- Vérifier si la batterie n'a pas été mise à la masse par mégarde. Si c'est le cas, éliminer la source de mise à la masse. Le contact avec toute pièce d'une batterie mise à la masse peut provoquer un choc électrique. Le risque d'un tel choc est réduit si le fil de masse est débranché lors de l'installation ou de l'entretien.
- Négliger de connecter ou de déconnecter les bornes dans l'ordre adéquat peut endommager l'équipement. S'assurer que les câbles sont solidement et proprement branchés sur les bornes.

MODE D'EMPLOI

Liste de vérification de pré-démarrage

(reportez-vous à Fig. 1, p 32)

1. S'assurer que le commutateur START (démarrage)/RUN (marche)/OFF (arrêt) (C) du moteur est en position OFF (arrêt).
2. S'assurer que le réservoir d'air soit bien purgé consulter la rubrique **Vidange du réservoir d'air** sous *Entretien*.
3. S'assurer que la soupape de purge (H) soit fermée.
4. S'assurer que la soupape de sûreté (G) fonctionne correctement, consulter la rubrique **Vérification de la soupape de sûreté** sous *Entretien*.
5. Vérifier le niveau d'huile moteur, consulter la rubrique **Huile du compresseur de la pompe** sous *Entretien*.

ATTENTION : Ne pas utiliser le compresseur sans huile ou avec une huile de qualité inadéquate. DEWALT ne peut être tenu responsable pour toute défaillance du compresseur provoquée par une huile inappropriée.

6. Vérifier les niveaux d'huile et d'essence du moteur, consulter le guide d'utilisation du moteur pour les procédures correctes.
7. Inspecter visuellement la courroie d'entraînement; la remplacer si

on détecte tout signe d'effilochage, de fissure ou d'usure.

REMARQUE : Veuillez retirer le couvercle externe de la courroie pour inspecter celle-ci.

8. S'assurer que tous les dispositifs de protection, couvercles et étiquettes sont présents, lisibles (dans le cas des étiquettes) et bien fixés. Ne pas utiliser le compresseur avant de vérifier tous ces points.

AVERTISSEMENT : Ne pas utiliser l'appareil avant d'avoir lu le mode d'emploi, et celui du moteur ainsi que l'intégralité des directives de sécurité, d'utilisation et d'entretien.

PROCÉDURE DE RODAGE

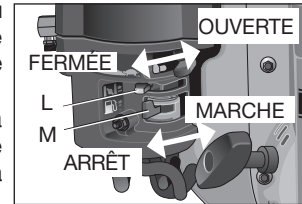
AVIS: Risque de dommages à la propriété. Respecter à la lettre les directives de rodage ci-dessous pour empêcher de graves dommages.

La procédure suivante est requise :

- avant d'utiliser le compresseur pour la première fois;
- lors du remplacement la clapet
- lors du remplacement de la pompe du compresseur.

Procédure :

1. Utiliser la **Liste de vérification de pré-démarrage** sous *Mode d'emploi*.
2. Mettre le levier de décompression du blocage manuel en position **ouverte** pour empêcher l'accumulation de pression dans le réservoir d'air.
3. Préparation du moteur pour la première utilisation, consulter le mode d'emploi du moteur pour la bonne procédure.
4. Mettre le levier du robinet à essence (M) à la position ON (marche).
5. Si le moteur est froid, régler la commande d'étrangleur (L) à



la position FERMÉE, comme montré. Si le moteur est chaud, régler la commande d'étrangleur à la position OUVERTE.

6. Démarrage à rappel :

- Mettre le commutateur START (démarrage)/RUN (marche)/OFF (arrêt) du moteur (C) à la position RUN (marche).
- ⚠️AVERTISSEMENT : Risque d'utilisation dangereuse.** Tirer lentement la poignée du démarreur jusqu'à ce qu'une résistance se fasse sentir. Puis tirer rapidement sur la poignée (N) pour éviter l'effet de rebond et empêcher toute blessure à la main ou au bras.

REMARQUE : Ne pas laisser la poignée du démarreur revenir d'un coup sec. Contrôler le rembobinage à la main.

Démarrage électrique

- Raccorder une batterie à l'électro-aimant sur le moteur à gaz. Voir **Connexion d'une batterie** pour la procédure.
- Mettre le commutateur START (démarrage)/RUN (marche)/OFF (arrêt) du moteur (C) à la position START (démarrage) et le maintenir à cette position jusqu'au démarrage du moteur.

REMARQUE : Ne pas tenir le commutateur à la position START (démarrage) pendant plus de cinq secondes. Si le moteur refuse de démarrer, attendre dix secondes avant le prochain essai. Le non-respect de ces directives pourrait endommager le démarreur du moteur en raison d'une surchauffe.

- Dès que le moteur démarre, relâcher le commutateur du moteur pour qu'il revienne à la position RUN (marche).

REMARQUE : Ne pas essayer de tourner le commutateur du moteur à la position START (démarrage) alors que le moteur fonctionne.

REMARQUE : Si le niveau d'huile du moteur est bas, le moteur ne démarrera pas. Dans ce cas, vérifier le niveau d'huile du moteur et ajouter de l'huile au besoin.

REMARQUE : Pour optimiser la lubrification, fonctionner l'appareil sur une surface de niveau.

- Au fur et à mesure que le moteur se réchauffe, régler l'étrangleur à la POSITION ouverte.
- Utiliser le compresseur d'air pour une période de **30 minutes** pour asseoir les anneaux et lubrifier toutes les surfaces internes. Consulter le manomètre du réservoir d'air pour éviter tout développement de pression.
- Mettre le système de blocage de la soupape de décompression en position **fermée** de sorte que la pression puisse s'accumuler.
- Le tuyau de sortie d'air fournira de l'air comprimé jusqu'à utilisation complète de l'air ou sa purge.

PROCÉDURES DE FONCTIONNEMENT

Démarrage (reportez-vous à Fig. 1, p 32)

⚠️AVERTISSEMENT : Ne pas utiliser l'appareil avant d'avoir lu et compris le mode d'emploi, et celui du moteur ainsi que l'intégralité des directives de sécurité, d'utilisation et d'entretien.

- Utiliser la **Liste de vérification de pré-démarrage** sous **Mode d'emploi**.
- Mettre le levier de décompression du blocage manuel en position **ouverte** pour aider au démarrage.
- Mettre le levier du robinet à essence (M) à la position ON (marche).
- Si le moteur est froid, régler la commande d'étrangleur (L) à la position FERMÉE, comme montré. Si le moteur est chaud, régler la commande d'étrangleur à la position OUVERTE.
- Démarrage à rappel :**
 - Mettre le commutateur START (démarrage)/RUN (marche)/OFF (arrêt) du moteur (C) à la position RUN (marche).
 - ⚠️AVERTISSEMENT : Risque d'utilisation dangereuse.** Tirer lentement la poignée du démarreur jusqu'à ce qu'une

résistance se fasse sentir. Puis tirer rapidement sur la poignée (N) pour éviter l'effet de rebond et empêcher toute blessure à la main ou au bras.

REMARQUE : Ne pas laisser la poignée du démarreur revenir d'un coup sec. Contrôler le rembobinage à la main.

Démarrage électrique

- Raccorder une batterie à l'électro-aimant sur le moteur à gaz. Voir Connexion d'une batterie pour la procédure.
- Mettre le commutateur START (démarrage)/RUN (marche)/OFF (arrêt) du moteur (C) à la position RUN (marche) et le maintenir à cette position jusqu'au démarrage du moteur.

REMARQUE : Ne pas tenir le commutateur à la position START pendant plus de cinq secondes. Si le moteur refuse de démarrer, attendre dix secondes avant le prochain essai. Le non-respect de ces directives pourrait endommager le démarreur du moteur en raison d'une surchauffe.

- Dès que le moteur démarre, relâcher le commutateur du moteur pour qu'il revienne à la position RUN (marche).

REMARQUE : Ne pas essayer de tourner le commutateur du moteur à la position START (démarrage) alors que le moteur fonctionne.

REMARQUE : Si le niveau d'huile du moteur est bas, le moteur ne démarrera pas. Dans ce cas, vérifier le niveau d'huile du moteur et ajouter de l'huile au besoin.

REMARQUE : Pour optimiser la lubrification, fonctionner l'appareil sur une surface de niveau.

- Au fur et à mesure que le moteur se réchauffe, régler l'étrangleur à la POSITION ouverte.
- Mettre le levier de décompression du blocage manuel en position **fermée** pour permettre le développement de la pression dans le réservoir d'air. **REMARQUE :** La pompe ne fonctionnera pas avec le levier de décompression du blocage manuel en position

ouverte.

- Laisser le compresseur d'air atteindre la pression de **déclenchement**.

REMARQUE : Si on remarque un bruit ou une vibration inhabituelle, arrêter le compresseur et se reporter à la rubrique concernant le dépannage.

REMARQUE : La pompe du compresseur d'air peut fonctionner en continu. Pour prolonger la durée de vie du compresseur d'air, on recommande de l'utiliser à plein régime de 50 % à 75 % de son temps de fonctionnement et au ralenti pour les autres 25 %.

- Fixer le tuyau et l'accessoire.

⚠AVERTISSEMENT : *Risque d'utilisation dangereuse. Saisir fermement le tuyau en main lors du raccordement ou de la déconnexion pour empêcher un à-coup du tuyau.*

⚠AVERTISSEMENT : *Risque d'utilisation dangereuse. N'utilisez pas les accessoires endommagés ou portés.*

⚠ATTENTION : *Risque d'utilisation dangereuse. L'air comprimé de l'appareil pourrait contenir de l'eau condensée et des brumes d'huile. Ne pas vaporiser de l'air non filtré sur un article que l'humidité pourrait endommager. Certains outils ou dispositifs pneumatiques pourraient requérir de l'air filtré. Lire les directives pour l'outil ou le dispositif pneumatique.*

Arrêt

- Mettre l'Interrupteur START (démarrage)/RUN (marche)/OFF (arrêt) (C) du moteur à la position OFF (arrêt).
- Mettre le levier du robinet à essence (M) à la position OFF (arrêt).

REMARQUE : Si l'utilisation du compresseur est terminée, suivre les étapes 3 à 5.

- Retirer le tuyau et l'accessoire.
- Tirez l'anneau de la soupape de sûreté pour permettre à l'air de

purger du réservoir jusqu'à ce que la pression dans le réservoir se situe à 0 lb/po2. Relâchez l'anneau de la soupape de sûreté.

5. Purger le réservoir d'air. Consulter la rubrique **Vidange du réservoir d'air** sous **Entretien**.

AVERTISSEMENT : Risque d'éclatement. Purger le réservoir d'air quotidiennement. L'eau se condensera dans le réservoir d'air. Si l'eau n'est pas vidangée, elle corrodera et affaiblira le réservoir d'air, provoquant ainsi un risque de rupture du réservoir d'air.

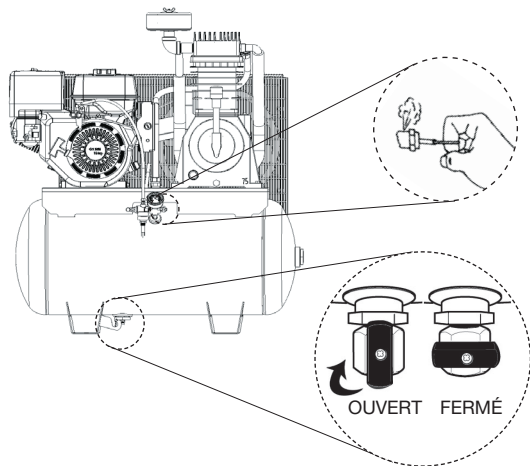


FIG. 3

Entretien (reportez-vous à Fig. 1, p 32)

Suivre les procédures suivantes lors de l'entretien ou des réparations du compresseur d'air.

1. S'assurer que le commutateur START (démarrage)/RUN (marche)/

OFF (arrêt) (C) du moteur est en position OFF (arrêt).

2. Débrancher le fil de la bougie.

3. Purger le réservoir d'air.

4. Laisser refroidir le compresseur d'air avant de débiter une réparation

REMARQUE : Tous les systèmes de compression d'air comprennent des pièces (par ex., huile, filtres, séparateurs) qui sont régulièrement remplacées. Ces pièces usées pourraient contenir des substances contrôlées et doivent être mises au rebut conformément aux lois et règlements municipaux, provinciaux, territoriaux et fédéraux.

REMARQUE : Noter la position et l'emplacement des pièces au démontage pour faciliter le remontage subséquent.

REMARQUE : Toute réparation non décrite dans cette rubrique devrait être exécutée à un centre de réparation de l'usine DEWALT ou un centre de réparation agréé DEWALT.

Programme d'entretien

| Procédure | Quotidienne | Hebdomadaire | Mensuellement ou toutes les 50 heures | 1 an ou 200 heures | Se reporter à l'étiquette d'avertissement sur le réservoir |
|--|-------------|----------------|---------------------------------------|--------------------|--|
| Vérification de la soupape de sûreté | X | | | | |
| Inspecter le filtre à air | | X ⁺ | | | |
| Vidange du réservoir d'air | X | | | | |
| Vérification du niveau d'huile de la pompe | X | | | | |
| Vidange de l'huile de la pompe | | | | X ^{***} | |
| Inspection de fuite d'huile | X | | | | |

| Procédure | Quotidienne | Hebdomadaire | Mensuellement ou toutes les 50 heures | 1 an ou 200 heures | Se reporter à l'étiquette d'avertissement sur le réservoir |
|--|---------------------------------------|--------------|---|--------------------------|---|
| Inspection de la courroie d'entraînement | X | | | | |
| Vérification de la tension de la courroie d'entraînement | | | X | | |
| Vérification de l'alignement de la poulie/volant | | | | X | |
| Recherche de bruits ou de vibrations inhabituels | X | | | | |
| Vérification des fuites d'air | X* | | | | |
| Nettoyage de la partie externe du compresseur | | X | | | |
| Mettre le réservoir hors service | | | | | X ⁺⁺ |
| Moteur | Consulter le mode d'emploi du moteur. | | | | |
| * Pour trouver des fuites d'air, appliquer une solution d'eau savonneuse autour des joints. Alors que le compresseur développe la pression et que l'accumulation de pression cesse, rechercher toute trace de bulles d'air. | | | | | |
| ** Veuillez vidanger l'huile de la pompe après les 20 premières heures de fonctionnement. Par la suite, vidanger l'huile à tous les 200 heures de fonctionnement ou une fois l'an selon la première éventualité et Utilisez une huile complètement synthétique et sans détergent pour compresseur d'air. | | | | | |
| + Vidange plus fréquente sous conditions poussiéreuses ou humides | | | | | |
| ++ Pour plus d'informations, composer le 1-888-895-4549 | | | | | |

⚠AVERTISSEMENT : Pour éviter les risques de blessures, arrêtez toujours le moteur à essence et libérez toute la pression d'air

dans le circuit avant d'effectuer l'entretien du compresseur d'air.

Pour assurer au compresseur d'air une opération efficace et une durée de vie plus longue, un horaire d'entretien périodique devrait être élaboré et suivi. L'horaire d'entretien périodique suivant s'applique à un appareil dans des conditions normales d'utilisation et étant utilisé quotidiennement. Au besoin, cet horaire peut être modifié pour convenir aux conditions d'utilisation de votre compresseur. Ces modifications dépendront du nombre d'heures d'opération et de l'environnement de travail. Les compresseurs placés dans des environnements très sales et/ou très hostiles exigeront que toutes les vérifications d'entretien soient effectuées plus fréquemment.

REMARQUE : Pour voir l'emplacement des commandes, voir la section *Utilisation*.

Vérification de la soupape de sûreté (reportez-vous à Fig. 1, p 32)

⚠AVERTISSEMENT : Surfaces chaudes. Risque de brûlure. Le la tête de pompe et les pièces contiguës sont très chaudes – ne pas les toucher (consulter la rubrique Surfaces chaudes de la figure 2). Laisser refroidir le compresseur avant d'effectuer des réparations sur l'appareil.

⚠AVERTISSEMENT : Risque d'éclatement. Si la soupape de sûreté ne fonctionne pas correctement, il peut se produire une surpressurisation, causant ainsi la rupture du réservoir d'air ou une explosion.

⚠AVERTISSEMENT : Risque provenant des objets projetés en l'air. Toujours utiliser de l'équipement de sécurité homologué : protection oculaire conforme à la norme ANSI Z87.1 (CAN/CSA Z94.3) munie d'écrans latéraux lors.

Avant de mettre en marche le compresseur, tirez sur la bague de

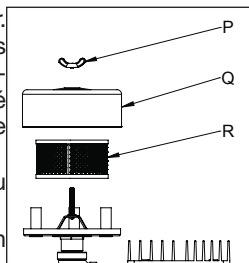
la soupape de sûreté pour vous assurer que la soupape fonctionne librement. Si la soupape est coincée ou ne fonctionne pas bien, il faut la remplacer par une soupape du même type.

Vérification des éléments du filtre d'air (reportez-vous à Fig. 1, p 32)

⚠AVERTISSEMENT : Surfaces chaudes. Risque de brûlure. Le postrefroidisseur, la tête de pompe et les pièces contiguës sont très chaudes – ne pas les toucher (consulter la rubrique Surfaces chaudes de la figure 2). Laisser refroidir le compresseur avant d'effectuer des réparations sur l'appareil.

Un filtre à air encrassé ne permettra pas au compresseur de fonctionner à sa pleine capacité. Assurez-vous que le filtre à air est propre en tout temps.

1. Mettre l'Interrupteur START (démarrage)/RUN (marche)/OFF (arrêt) (C) du moteur à la position OFF (arrêt).
2. Laisser refroidir l'appareil..
3. Retirer l'écrou à oreilles (P).
4. Retirer la protection extérieure en métal (Q).
5. Vérifier la cartouche filtrante (R) et la remplacer si elle est sale ou remplie de peinture.
6. En cas de nettoyage, souffler de l'air. Remplacer le cas échéant. Acheter les pièces de rechange auprès de votre distributeur ou centre de réparation agréé régional. Toujours utiliser des pièces de rechange identiques.
7. Replacer les éléments dans la base du filtre.
8. Replacer la protection extérieure en métal sur la cartouche filtrante.



9. Fixer à l'aide de l'écrou à oreilles.

⚠ATTENTION : Risque d'utilisation dangereuse. Ne pas utiliser sans le filtre d'admission d'air.

Vidange du réservoir d'air (reportez-vous à Fig. 3, p 49)

⚠AVERTISSEMENT : Risque d'utilisation dangereuse. Risque associé au bruit. Les réservoirs d'air contiennent de l'air sous haute pression. Éloigner le visage [ANSI Z87.1 (CAN/CSA Z94.3)] et toutes autres parties du corps de l'orifice de vidange. Porter des lunettes de sécurité lors de la vidange car il y a risque de projection de débris au visage.

⚠AVERTISSEMENT : Risque associé au bruit. Utiliser une protection auditive [ANSI S12.6 (S3.19)] car le flux d'air sortant est strident en cours de vidange.

REMARQUE : Tous les systèmes de compression d'air génèrent des condensats qui s'accumulent à un point de vidange (par ex., réservoir, filtre, dispositifs de postrefroidissement ou sécheur). Le condensat contient de l'huile lubrifiante ou des substances contrôlées, ou les deux, et doivent être éliminés conformément aux lois et règlements municipaux, provinciaux, territoriaux et fédéraux.

1. Mettre l'Interrupteur START (démarrage)/RUN (marche)/OFF (arrêt) (C) du moteur à la position OFF (arrêt).
2. Tirez l'anneau de la soupape de sûreté pour permettre à l'air de purger du réservoir jusqu'à ce que la pression dans le réservoir se situe à environ 20 lb/po². Relâchez l'anneau de la soupape de sûreté.
3. Vidangez l'eau du réservoir en ouvrant le robinet de vidange. (Tournez dans le sens contraire des aiguilles d'une montre) situé en bas du réservoir.

⚠AVERTISSEMENT : Risque d'éclatement. L'eau dans le réservoir d'air peut condenser. Si l'eau n'est pas vidangée, cela risque de corroder et d'affaiblir le réservoir d'air, produisant ainsi un risque de rupture du réservoir d'air.

AVIS : Risque de dommages à la propriété. L'eau qui est purgée du réservoir d'air pourrait contenir de l'huile et de la rouille. Ces derniers risquent de tacher.

4. Une fois la vidange de l'eau terminée, fermez le robinet de vidange (tournez dans le sens des aiguilles d'une montre).

REMARQUE : Si le robinet de vidange à l'égout est obstrué, laissez s'échapper complètement la pression d'air. Le robinet de vidange pourra alors être retiré, nettoyé et remis en place.

Huile de la pompe du compresseur (reportez-vous à Fig. 4, p 53)

⚠AVERTISSEMENT : Surfaces chaudes. Risque de brûlure. Le postrefroidisseur, la tête de pompe et les pièces contiguës sont très chaudes – ne pas les toucher (consulter la rubrique Surfaces chaudes de la figure 2). Laissez refroidir le compresseur avant d'effectuer des réparations sur l'appareil.

AVIS : Risque de dommages à la propriété. Utiliser uniquement de l'huile pour compresseur d'air. Ne pas utiliser d'huiles moteur multigrades dans les compresseurs d'air comme le 10W30. Elles laissent des dépôts de carbone dans des composants essentiels, réduisant ainsi les performances et la durée de vie du compresseur.

REMARQUE : Utilisez une huile complètement synthétique et sans détergent pour compresseur d'air.

REMARQUE : Remplissez lentement le carter jusqu'au haut du trou de remplissage. La capacité du carter est de 53 onces flu-

ides (1,57 L).

Vérification

1. Mettre l'Interrupteur START (démarrage)/RUN (marche)/OFF (arrêt) (C) du moteur à la position OFF (arrêt).
1. Le niveau d'huile devrait se situer au milieu du voyant (S).
2. Retirez le bouchon de remplissage d'huile (I) et, si nécessaire, ajoutez lentement de l'huile jusqu'à ce que le niveau se situe au milieu du voyant.

Changement

⚠AVERTISSEMENT : Surfaces chaudes. Risque de brûlure. Le postrefroidisseur, la tête de pompe et les pièces contiguës sont très chaudes – ne pas les toucher (consulter la rubrique Surfaces chaudes de la figure 2). Laissez refroidir le compresseur avant d'effectuer des réparations sur l'appareil.

⚠AVERTISSEMENT : Purgez le réservoir pour libérer la pression d'air avant de retirer le bouchon de remplissage d'huile ou le bouchon de vidange d'huile.

1. S'assurer que le commutateur START (démarrage)/RUN (marche)/OFF (arrêt) (C) du moteur est en position OFF (arrêt).
2. Laissez refroidir l'appareil.
3. Débrancher le fil de la bougie.
4. Purger le réservoir d'air.
5. Retirez le culot du trou de remplissage d'huile (I).
6. Retirez le culot de vidange de l'huile (J) et vidangez l'huile dans un contenant approprié.
7. Remettez en place le culot de vidange d'huile (J) et resserrez-le.
8. Ajoutez lentement de l'huile pour compresseurs jusqu'à ce que le niveau se situe au milieu du voyant (S). **REMARQUE** : En remplissant le carter, l'huile circule très lentement dans la pompe. Si elle est versée trop rapidement, elle semblera

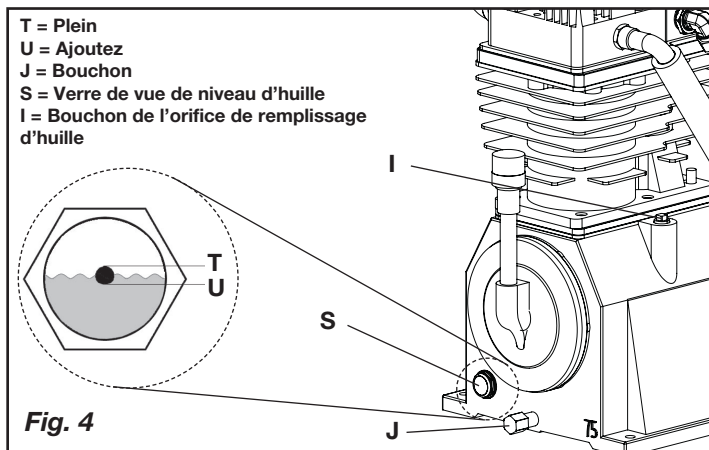
déborder et le carter semblera plein alors qu'il ne l'est pas.

AVIS : Risque de dommages à la propriété. Un réservoir trop plein d'huile provoquera une défaillance prématurée du compresseur. Ne pas remplir plus que nécessaire.

9. Replacer la jauge graduée/bouchon (I) du réservoir d'huile de la pompe et serrer solidement.

10. Rebrancher le fil de la bougie.

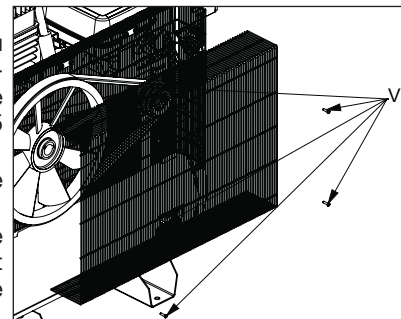
REMARQUE : L'huile de la pompe pourrait contenir des substances contrôlées et doit être mise au rebut conformément aux lois et règlements municipaux, provinciaux, territoriaux et fédéraux.



Remplacement de la courroie (reportez-vous à Fig. 1, p 32)

⚠ AVERTISSEMENT : Pour éviter les risques de blessures, arrêtez toujours le moteur à essence et libérez toute la pression d'air dans le circuit avant d'effectuer l'entretien du compresseur d'air. Ne pas utiliser l'appareil sans les protections ou carter de courroie. des blessures graves en cas de contact avec les pièces mobiles. Surfaces chaudes. Risque de brûlure. Le la tête de pompe et les pièces contiguës sont très chaudes – ne pas les toucher (consulter la rubrique Surfaces chaudes de la figure 2). Laisser refroidir le compresseur avant d'effectuer des réparations sur l'appareil.

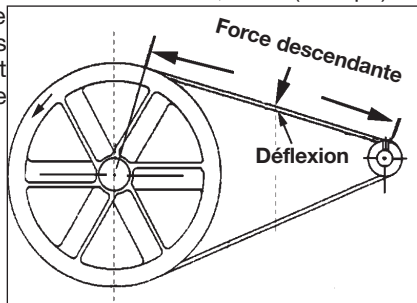
1. S'assurer que le commutateur START (démarrage)/RUN (marche)/OFF (arrêt) (C) du moteur est en position OFF (arrêt).
2. Laisser refroidir l'appareil.
3. Débrancher le fil de la bougie.
4. Purger le réservoir d'air.
5. Retirez la face avant du garde-courroie en retirant les vis (V) à l'aide d'un tournevis Torx T25 bits.
6. Marquez la position de la pompe sur la selle.
7. Desserrez les vis de fixation du moteur et glissez le moteur vers le compresseur d'air.
8. Enlevez la courroie et remplacez-la par une courroie neuve.



- Voir Réglage de la tension de la courroie avant de serrer les pièces de fixation du moteur.
- Rebrancher le fil de la bougie.

Réglage la tension de la courroie

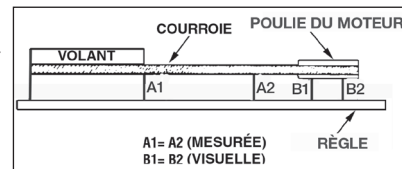
- S'assurer que le commutateur START (démarrage)/RUN (marche)/OFF (arrêt) (C) du moteur est en position OFF (arrêt).
- Laisser refroidir l'appareil.
- Débrancher le fil de la bougie.
- Purger le réservoir d'air.
- Glissez le moteur à la position originale et alignez-le avec la marque que vous avez faite auparavant sur la selle.
- Serrez les deux vis de fixation externes du moteur juste assez pour maintenir le moteur en place et pour permettre la vérification de l'alignement de la poulie et du volant.
- La courroie devrait avoir une déflexion de 4,8 mm (3/16 po) au milieu, entre la poulie et le volant, quand un poids de 4,6 kg (10 lb) est appliqué au point de mi-chemin.
- Une fois que la bonne tension de courroie est obtenue, serrez les quatre vis de fixation du moteur. Couple à 20,3–29,8 Nm (15–22 pi-lbs).
- Rebrancher le fil de la bougie.



d'origine réglée à l'usine, les rainures du volant et de la poulie doivent être alignées jusqu'à 1,6 mm (1/16 po) pour éviter une usure excessive de la courroie.

Le volant et la poulie du compresseur d'air doivent être alignés (sur un même plan) jusqu'à 1,6 mm (1/16 po) pour assurer que la courroie repose bien dans les rainures du volant. Pour vérifier l'alignement, suivez les étapes suivantes :

- S'assurer que le commutateur START (démarrage)/RUN (marche)/OFF (arrêt) (C) du moteur est en position OFF (arrêt).
- Laisser refroidir l'appareil.
- Débrancher le fil de la bougie.
- Purger le réservoir d'air.
- Retirez le garde-courroie.
- Placez une règle sur l'extérieur du volant et de la poulie du moteur.
- Mesurez la distance entre le rebord de la courroie et la règle aux points A1 et A2 de l'illustration. La différence entre les mesures ne doit pas dépasser 1,6 mm (1/16 po).
- Si la différence est supérieure ou inférieure à 1,6 mm (1/16 po), desserrez la vis de fixation fixant la poulie du moteur à l'arbre et réglez la position de la poulie sur l'arbre jusqu'à ce que les mesures A1 et A2 ne soient plus qu'à 1,6 mm (1/16 po) l'une de l'autre.
- Resserrez la vis de fixation de la poulie du moteur.
- Effectuez une inspection visuelle de la poulie du moteur pour vous assurer qu'elle est bien perpendiculaire à l'arbre moteur. Les points B1 et B2 de l'illustration devraient sembler égaux. S'ils ne le sont pas, desserrez la vis de fixation de la poulie du moteur et égalisez les points B1 et B2 en vous assurant de ne



pas nuire à l'alignement de la courroie que vous avez effectué à l'étape 2.

11. Resserrez la vis de fixation de la poulie du moteur. Couple à 16,4-20,3 Nm (145-180 pi-lbs).
12. Remettez en place le garde-courroie.
13. Rebrancher le fil de la bougie.

Soupapes d'admission et d'échappement de la pompe du compresseur d'air

Une fois par année, faites appel à un technicien qualifié pour vérifier les soupapes d'admission et d'échappement de la pompe du compresseur d'air.

Inspection des conduites d'air et des raccords pour des fuites

1. S'assurer que le commutateur START (démarrage)/RUN (marche)/OFF (arrêt) (C) du moteur est en position OFF (arrêt).
2. Laisser refroidir l'appareil.
3. Débrancher le fil de la bougie.
4. Appliquez une solution savonneuse à tous les raccords, connexions et tuyaux des conduites d'air.
5. Éliminez toutes les fuites trouvées.
6. Rebrancher le fil de la bougie.

IMPORTANT: Même des fuites mineures peuvent forcer le compresseur d'air à travailler trop fort, entraînant ainsi une panne prématurée ou un rendement médiocre.

Boulons de la tête du compresseur - serrage

Les boulons de la tête du compresseur doivent être maintenus à un couple de serrage approprié. Vérifiez le couple de serrage des boulons après les cinq premières heures d'utilisation. Resserrez au besoin. Couple à 43,4-50,2 Nm (32-37 pi-lbs.).

Réparations et Réglages

TOUT ENTRETIEN OU TOUTE RÉPARATION NONMENTIONNÉS ICI DOIVENT ÊTRE EFFECTUÉS PAR UN TECHNICIEN QUALIFIÉ.

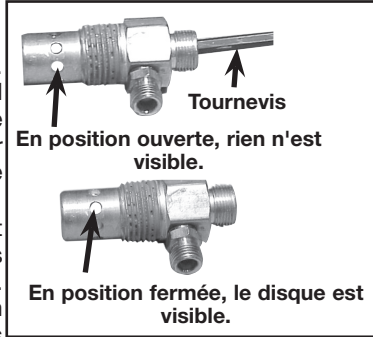
⚠️AVERTISSEMENT : Pour éviter les risques de blessures, arrêtez toujours le moteur à essence et libérez toute la pression d'air dans le circuit avant d'effectuer l'entretien du compresseur d'air. Ne pas utiliser l'appareil sans les protections ou carter de courroie. des blessures graves en cas de contact avec les pièces mobiles. Surfaces chaudes. Risque de brûlure. Le la tête de pompe et les pièces contiguës sont très chaudes – ne pas les toucher (consulter la rubrique Surfaces chaudes de la figure 2). Laisser refroidir le compresseur avant d'effectuer des réparations sur l'appareil.

Remplacement ou nettoyage de la soupape de retenue

1. S'assurer que le commutateur START (démarrage)/RUN (marche)/OFF (arrêt) (C) du moteur est en position OFF (arrêt).
2. Laisser refroidir l'appareil.
3. Débrancher le fil de la bougie.
4. Laissez s'échapper toute la pression du réservoir. Voir Vidange du réservoir dans la section Entretien.
5. À l'aide d'une clé réglable, desserrez l'écrou du tube de sortie au niveau du réservoir d'air et de la pompe. Éloignez soigneusement le tube de sortie de la soupape de retenue.
6. À l'aide d'une clé réglable, desserrez l'écrou du tube de décharge de pression au niveau du réservoir d'air. Éloignez soigneusement le tube de décharge de pression de la soupape de retenue.
7. À l'aide d'une clé ouverte de 7/8 po, dévissez la soupape de retenue (en tournant dans le sens contraire des aiguilles d'une

montre). Notez l'orientation pour l'assemblage plus tard.

8. À l'aide d'un tournevis, poussez doucement le disque de soupape vers le haut et vers le bas. **REMARQUE** : Le disque de soupape devrait se déplacer librement vers le haut et vers le bas sur un ressort qui retient le disque de soupape en position fermée. Si cela n'est pas le cas, la soupape de retenue doit être nettoyée ou remplacée.
9. Nettoyez ou remplacez la soupape de retenue. Utilisez un solvant, tel qu'un décapant de peinture ou de verni, pour nettoyer la soupape de retenue.
10. Appliquez un produit d'étanchéité sur les filets de la soupape de retenue. Réinstallez la soupape (en tournant dans le sens des aiguilles d'une montre).
11. Remettez en place le tube de décharge de pression et serrez les écrou.
12. Remettez en place le tube de sortie et serrez les écrous.
13. Rebrancher le fil de la bougie.
14. Effectuez la procédure de rodage. Voir la partie intitulée **Procédures de rodage** de la section sur *l'utilisation*.



Service d'entretien additionnel

Le démontage ou un entretien du compresseur d'air au-delà de ce qui est indiqué dans ce guide ne sont pas recommandés. Si un entretien plus poussé est requis, communiquez avec le Centre de service sous garantie autorisé le plus proche.

Accessoires

Les accessoires recommandés pour votre outil peuvent être achetés auprès du distributeur local ou d'un centre de réparation agréé. Si vous avez besoin d'assistance pour trouver un accessoire pour votre outil, veuillez composer le 1-888-895-4549 ou visiter notre site Web à www.dewalt.com.

⚠️ AVERTISSEMENT : *l'utilisation de tout autre accessoire non recommandé avec cet outil pourrait s'avérer dangereuse. Utiliser uniquement des accessoires de classement égal ou supérieur à celui de la compresseur d'air.*

Information sur les réparations

Veuillez recueillir les informations suivantes pour tous les appels au Service à la clientèle :

Numéro du modèle _____ Numéro de série _____
Date et lieu de l'achat _____

Réparations

Pour assurer la SÉCURITÉ et la FIABILITÉ du produit, les réparations, l'entretien et les réglages doivent être réalisés par un centre de réparation en usine DEWALT, un centre de réparation agréé DEWALT ou par d'autres techniciens qualifiés. Toujours utiliser des pièces de rechange identiques.

Garantie limitée

Les outils **industriels DEWALT** sont garantis à partir de la date d'achat.

Garantie limitée de **DEUX (2) ANS** sur tous les compresseurs lubrifiés à l'huile

Garantie limitée **d'UN (1) AN** sur tous les compresseurs sans huile. Cette garantie n'est pas transférable à une tierce partie.

DEWALT réparera ou remplacera, à ses frais, à la discrétion de DEWALT, tout défaut pour vice de matière ou de fabrication. Pour toute information complémentaire relative à la couverture de la garantie et aux réparations prises en charge par celle-ci, veuillez appeler le 1-(888)-895-4549 ou vous rendre sur le site dewalt.com. Cette garantie ne s'applique pas aux accessoires, ou à tout dommage causé par des réparations effectuées ou tentées par un tiers. Cette garantie ne s'applique pas aux marchandises vendues par DEWALT qui ont été fabriquées par une autre compagnie, et identifiées comme telles, comme l'essence pour les moteurs. La garantie de son fabricant, si existante, sera alors applicable. **TOUT DOMMAGE, PERTE OU DÉPENSE ACCESSOIRE, INDIRECT OU IMMATÉRIEL POUVANT RÉSULTER DE TOUT DÉFAUT, DÉFAILLANCE OU DYSFONCTIONNEMENT DU PRODUIT N'EST PAS COUVERT PAR CETTE GARANTIE.** Certains états n'autorisent aucune exclusion ou limitation de garantie contre tout préjudice accessoire ou indirect, aussi il se peut que la limitation ou l'exclusion susdite ne vous soit pas applicable. **TOUTE GARANTIE IMPLICITE, Y COMPRIS DE QUALITÉ MARCHANDE OU D'ADÉQUATION DANS UN BUT PARTICULIER, EST LIMITÉE À UN AN À COMPTER DE LA DATE D'ACHAT.**

Certains états n'autorisent aucune limitation quant à la durée de toute garantie implicite, aussi il se peut que l'exclusion susdite ne vous soit pas applicable. Cette garantie confère des droits légaux

particuliers à l'acheteur, mais celui-ci pourrait aussi bénéficier d'autres droits variant d'un territoire à l'autre.

Ce à quoi la Société s'engage : (la société) s'engage à couvrir les pièces et la main-d'œuvre requises afin de remédier aux défauts importants constatés dans les matériaux ou dans la main-d'œuvre au cours de la première année suivant l'acquisition, sous réserve de ce qui suit. Les pièces utilisées pour la réparation des unités complètes ou des accessoires sont garanties pendant ce qui reste de la période de garantie initiale.

Qu'est-ce qui n'est pas couvert par cette garantie? L'incapacité de l'acheteur au détail initial d'installer, d'entretenir et d'exploiter cet équipement conformément aux pratiques industrielles normales. Les modifications apportées au produit ou le bricolage effectué sur ses composants, ou le manquement à se conformer aux recommandations spécifiques de la Société énoncées dans le manuel de l'utilisateur, rendront cette garantie nulle et non avenue. La Société rejette toute responsabilité pour les réparations, remplacements ou ajustements à l'équipement ou pour tous coûts liés au travail effectués sur l'équipement par l'acheteur sans l'autorisation préalable écrite de la Société. Les effets de la corrosion, de l'érosion, des conditions environnementales ambiantes, des défauts de nature superficielle et les matériaux requis pour la maintenance de routine sont expressément exclus de cette garantie. Les matériaux requis pour la maintenance de routine tels que l'huile, les lubrifiants et les filtres à air, ainsi que les changements d'huile, de filtres à air, de tension de courroie, etc. font partie de la responsabilité de l'utilisateur. Parmi les exclusions supplémentaires, il faut ajouter les dommages liés au transport, les défaillances liées à la négligence, aux accidents ou à une mauvaise utilisation, les moteurs à induction alimentés par un alternateur, les fuites d'huile, les fuites d'air, la consommation d'huile, les raccords qui fuient, les boyaux, les robinets d'évacuation d'air, les soupapes de purge et les tuyaux de transfert.

- Les composants suivants sont considérés comme des équipements sujets à usure normale et ne sont donc couverts que pendant un an après leur vente : courroies, faisceaux, volants, clapets de non-retour, manostats, déchargeurs à air, manettes d'accélération, moteurs électriques, balais, régulateurs, joints toriques, manomètres, tubes, conduits, raccords, attaches, roues, porte-outils à attache rapide, garnitures, joints d'étanchéité, logements de filtre à air, segments de piston, biellettes de liaison et joints de piston.
- Les charges de main-d'œuvre, d'appels de service et de déplacements ne sont pas couvertes au-delà de la première année suivant l'acquisition pour les compresseurs fixes (compresseurs sans poignées et sans roues). Les réparations nécessitant des heures supplémentaires, des taux et tarifs de fin de semaine ou toute autre charge excédant le tarif standard de travail en atelier ne sont pas couvertes.
- Temps requis pour la formation d'orientation afin de permettre au centre de service d'obtenir accès au produit, ou du temps supplémentaire pour cause de sortie inadéquate.
- Les dommages causés par une tension incorrecte, un câblage inapproprié ou l'installation du compresseur par quelqu'un d'autre qu'un électricien professionnel agréé rendront la garantie nulle et non avenue.
- Les dommages causés par un entretien inadéquat du filtre.
- L'usure de la pompe ou l'endommagement d'une valve causé par l'emploi d'un lubrifiant contre-indiqué.
- L'usure de la pompe ou un dommage causé par une contamination d'huile.
- L'usure de la pompe ou l'endommagement d'une valve causé par le non-respect des directives d'entretien correctes.
- L'utilisation sans huile ou avec un niveau d'huile insuffisant.
- Les moteurs à essence, si le produit est équipé d'un tel moteur : se reporter au manuel d'utilisation du moteur pour la couverture de la garantie spécifique du fabricant du moteur.

Pièces achetées séparément : la garantie pour les pièces achetées séparément, telles que les pompes, les moteurs, etc. s'applique comme suit :

À compter de la date d'achat






- | | |
|--|----------|
| • Toutes les pompes à un étage ou à deux étages | 1 an |
| • Moteurs électriques | 90 jours |
| • Moteur/pompe universel(le) | 30 jours |
| • Toute autre pièce | 30 jours |
| • Aucune autorisation de retour ne sera accordée pour les composants électriques une fois qu'ils sont installés. | |

Comment obtenir du service? Afin d'être admissible au service sous garantie, vous devez être l'acheteur original au détail, et de fournir une preuve d'achat de l'un des concessionnaires de la société, des distributeurs ou magasins de vente au détail. Compresseurs portatifs ou des pièces doivent être livrées, ou expédiés, au Centre de service agréé le plus proche. Tous les frais de transport et les frais associés de voyage doivent être pris en charge par le consommateur. S'il vous plaît appelez notre numéro sans frais 1-888-895-4549 pour une assistance.

CETTE GARANTIE VOUS ACCORDE DES DROITS LÉGAUX SPÉCIFIQUES ET VOUS POUVEZ BÉNÉFICIER D'AUTRES DROITS EN FONCTION DE L'ÉTAT OÙ CELLE-CI S'APPLIQUE.

LA SOCIÉTÉ N'OFFRE AUCUNE AUTRE GARANTIE NI REPRÉSENTATION DE QUELQUE SORTE QUE CE SOIT, EXPRESSE OU IMPLICITE, EXCEPTION FAITE DE LA PROPRIÉTÉ. TOUTES LES GARANTIES IMPLICITES, EN PARTICULIER TOUTE GARANTIE DE COMMERCIALISATION ET D'ADÉQUATION À UN USAGE PARTICULIER, SONT REJETÉES PAR LA PRÉSENTE. TOUTE RESPONSABILITÉ POUR DES DOMMAGES INDIRECTS ET CORRESPONDANT À L'UNE QUELCONQUE DES GARANTIES ET À L'ENSEMBLE DE CELLES-CI, À D'AUTRES CONTRATS, À LA NÉGLIGENCE OU À D'AUTRES DÉLITS CIVILS, EST EXCLUE CONFORMÉMENT AUX CLAUSES D'EXCLUSION DE LA LOI.

REPLACEMENT GRATUIT DES ÉTIQUETTES D'AVERTISSEMENT : si les étiquettes d'avertissement deviennent illisibles ou sont manquantes, composer le 1-888-895-4549 pour en obtenir le remplacement gratuit.

| | | |
|---|---|--|
| <p>WARNING Electronic starting. Read and understand operator manual for safe operation and maintenance. For replacement manual write to Compressor Service, 118 West Rock Street, Springfield, MN 55077.</p> <p>Risk of fire or explosion - Caution Do not use highly flammable, flammable or highly volatile liquids in a confined area or towards a hot surface. Spray area must be well-ventilated. DO NOT smoke while playing or epoxy wheel spoke or frame is present. • Working parts - Keep compressor at least 20 feet away from explosive vapors, such as when spraying with a spray gun.</p> <p>Risk of bursting - Do not adjust regulator to result in output pressure greater than marked maximum pressure of attachment. • Units without a regulator use air-handling caps rated at minimum 150 PSI (11 stages) or 200 PSI (2 stage).</p> <p>RISK OF BURSTING TANK may cause explosion and severe or fatal hand/snapping damage. Drain condensed water from tank after each use to reduce rusting. • DO NOT weld on or repair tank - replace.</p> <p>Risk of carbon monoxide poisoning • Engine produces deadly exhaust. DO NOT use compressor in enclosed area.</p> <p>Risk of injury DO NOT direct air stream at body. DO NOT operate with supplied gaskets removed. • Disconnect sparking and dust all air pressure from tank before servicing and after each use. • DO NOT use compressor for blowing. Watch eye protection.</p> <p>VALVE START</p> <p>CHILDREN • CHECK OIL LEVEL in compressor before each use and fill accordingly.</p>  | <p>AVERTISSEMENT Lire attentivement le mode d'emploi et le manuel d'entretien pour une utilisation et une maintenance sécuritaires. Pour obtenir un manuel de remplacement, écrivez à Compressor Service, 118 West Rock St., Springfield, MN 55077.</p> <p>Risque d'incendie ou d'explosion - Attention Ne pas utiliser de liquides hautement inflammables, inflammables ou très volatils dans une zone confinée ou vers une surface chaude. • Les parties travaillant - Garder le compresseur à au moins 20 pieds (6 mètres) des vapeurs explosives, telles que lors de l'utilisation d'un pistolet à peinture.</p> <p>Risque de rupture - Ne pas régler le régulateur pour obtenir une pression de sortie supérieure à la pression maximale indiquée sur l'accessoire. • Les unités sans régulateur utilisent des bouchons d'aération classés à au moins 150 PSI (11 étages) ou 200 PSI (2 étages) de pression.</p> <p>RISQUE DE RUPTURE DU RÉSERVOIR peut provoquer une explosion et des blessures graves ou mortelles. • Drainez l'eau condensée du réservoir après chaque utilisation pour réduire la rouille. • NE PAS souder sur le réservoir ou le réparer - le remplacer.</p> <p>Risque d'intoxication au monoxyde de carbone • Le moteur produit des gaz d'échappement mortels. Ne pas utiliser le compresseur dans une zone confinée.</p> <p>Risque de blessure Ne pas diriger le jet d'air vers soi-même ou d'autres personnes. • Ne pas utiliser le compresseur pour souffler des vêtements ou de la poussière d'entretien sur le visage ou dans les yeux. • Ne pas utiliser le compresseur pour souffler des débris d'entretien sur le visage ou dans les yeux. • Ne pas utiliser le compresseur pour souffler des débris d'entretien sur le visage ou dans les yeux.</p> <p>VALVE DÉMARRAGE</p> <p>ENFANTS • VÉRIFIER LE NIVEAU D'HUILE dans le compresseur avant chaque utilisation et le remplir en conséquence.</p>  | <p>Risque d'éclatement - Ne pas régler le régulateur de pression de sortie à une pression supérieure à la pression maximale indiquée pour l'accessoire. • POUILLE D'APPAREILS OU LIQUIDES VOLATILS peuvent provoquer un incendie ou une explosion. • Ne pas utiliser le compresseur pour souffler des vêtements ou de la poussière d'entretien sur le visage ou dans les yeux. • Ne pas utiliser le compresseur pour souffler des débris d'entretien sur le visage ou dans les yeux.</p> <p>VALVE DÉMARRAGE</p> <p>ENFANTS • VÉRIFIER LE NIVEAU D'HUILE dans le compresseur avant chaque utilisation et le remplir en conséquence.</p> |
| <p>WARNING HOT SURFACES: To reduce the risk of burns, do not touch exposed metal surfaces. Hot surfaces may become extremely hot. Use caution. Do not touch any surface, metal or plastic, exposed to heat. Do not touch any surface, metal or plastic, exposed to heat. Do not touch any surface, metal or plastic, exposed to heat. Do not touch any surface, metal or plastic, exposed to heat.</p>  | <p>AVERTISSEMENT SURFACES CHAUDES: Pour réduire le risque de brûlures, ne pas toucher les surfaces métalliques exposées. Les surfaces chaudes peuvent devenir extrêmement chaudes. Utilisez avec précaution. Ne pas toucher aucune surface, métallique ou plastique, exposée à la chaleur. Ne pas toucher aucune surface, métallique ou plastique, exposée à la chaleur. Ne pas toucher aucune surface, métallique ou plastique, exposée à la chaleur.</p>  | <p>OPERATE IN A CLEAN, DRY AND WELL-VENTILATED AREA. To reduce the risk of carbon monoxide poisoning, do not use in a confined area. • FUMES D'ÉCHAPPEMENT TOXICOLOGIQUES DANS UN ENDROIT LOCAL, PROPRES, SEC ET BIEN VENTILÉ. Ne pas utiliser dans une zone confinée. • Ne pas utiliser dans une zone confinée. • Ne pas utiliser dans une zone confinée.</p>  |

CAUTION ATTENTION PRECAUTION

Do not pressure charge. Loading the compressor must be kept a minimum of 12" (3 inches) from the tank's rear or outside.

Ne pas charger sous pression. Le compresseur doit être situé à au moins 30 cm de l'arrière ou de l'extérieur.

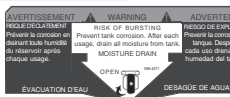
Para que la compresora tenga el enfriamiento adecuado, debe mantenerse a una distancia mínima de 30 cm de la parte u obstrucción trasera.

AVERTISSEMENT Ne pas charger le compresseur sous pression. Le compresseur doit être situé à au moins 30 cm de l'arrière ou de l'extérieur.

WARNING RISK OF BURSTING: Prevent tank corrosion. After each usage, drain all moisture from tank. • MOISTURE DRAIN

ADVERTENCIA RIESGO DE EXPLOSIÓN: Prevenga la corrosión del tanque. Después de cada uso, drene toda la humedad del tanque.

EVACUATION DEAU OPEN WITH DÉBARRAS D'EAU



Français

Guide de dépannage

Cette section énumère les défaillances les plus communes, leurs causes et les mesures correctives. L'opérateur ou le personnel d'entretien peut exécuter certaines mesures correctives, d'autres exigent l'assistance d'un technicien DEWALT qualifié ou du distributeur.

| Problème | Code |
|--|-------------------------------|
| Pression excessive dans le réservoir d'air : la soupape de sûreté claque | 1 |
| Fuites d'air | 2 |
| Fuite d'air continuelle à la soupape de décompression. | 3 |
| Fuites d'air dans le réservoir d'air ou dans les soudures du réservoir d'air | 4 |
| Fuites d'air entre la tête et la plaque porte-soupapes | 5 |
| Fuites d'air à la soupape de sûreté | 6 |
| Le compresseur ne fournit pas la quantité d'air requise pour le fonctionnement d'accessoires | 2, 7, 8, 9, 10, 12, 13 |
| Admission d'air restreinte | 12 |
| Vibrations excessives | 14, 15 |
| Cliquetis..... | 13, 14, 15, 16, 17, 18, 19 |
| Usure excessive de la courroie..... | 13, 14, 16, 19, 20 |
| Sifflement..... | 13 |
| Moteur refuse de démarrer | 22, 24, 30 |
| Humidité présente dans le carter de la pompe | 5, 11, 23, 24, 25, 26, 27, 28 |
| Pompe refuse de fonctionner..... | 29 |
| Pression du réservoir d'air ne se développe pas | 29 |

Codes de dépannage

| CODE | CAUSE POSSIBLE | POSSIBLE SOLUTION |
|------|---|---|
| 1 | La soupape de décompression ne s'ouvre pas lorsque le réservoir d'air atteint la pression de déclenchement | Remplacer la soupape de décompression. Communiquer avec un centre de réparation en usine de DEWALT ou un centre de réparation agréé DEWALT. |

| CODE | CAUSE POSSIBLE | POSSIBLE SOLUTION |
|------|--|---|
| 2 | Les raccords sont lâches | Serrer les raccords qui émettent un sifflement de fuite d'air. Contrôler les raccords avec une solution d'eau savonneuse. NE PAS TROP SERRER. |
| 3 | Soupape de décompression défectueuse | Arrêter le moteur, tourner le levier de décompression du blocage manuel en position perpendiculaire fermée . S'il y a présence de fuites d'air au réservoir par la soupape de décompression, la remplacer. |
| 4 | Réservoir d'air défectueux | Le réservoir d'air doit être remplacé. Ne pas réparer la fuite. AVERTISSEMENT : Risque d'éclatement. Ne pas percer le réservoir d'air, ni le souder ou le modifier de quelque manière qui soit. Ces interventions l'affaibliront. Le réservoir risque de rompre ou d'exploser. |
| 5 | Joints d'étanchéité fuyants | Communiquer avec un centre de réparation en usine de DEWALT ou un centre de réparation agréé DEWALT. |
| 6 | Soupape de sûreté défectueuse | Faites fonctionner la soupape manuellement en tirant sur la bague. Si la soupape fuit toujours, la remplacer. |
| 7 | Utilisation excessive prolongée de l'air | Diminuer la quantité d'air utilisée. |
| 8 | Le compresseur ne dispose pas de la capacité adéquate pour l'utilisation d'accessoires | Vérifier les exigences d'air de l'accessoire. Si elles sont supérieures au SCFM ou à la pression fournie par le compresseur d'air, un compresseur de plus grande capacité est requis pour l'utilisation de l'accessoire. |
| 9 | Trou dans le tuyau d'air | Vérifier le tuyau et le remplacer le cas échéant. |
| 10 | Soupape de décompression obstruée | Retirer, nettoyer ou remplacer. |
| 11 | L'appareil fonctionne dans des conditions humides ou fraîches | Déplacer l'appareil dans un endroit sec bien aéré. |
| 12 | Filtre d'admission d'air obstrué | Nettoyer ou remplacer le filtre d'admission d'air. |
| 13 | Courroie lâche | Contrôler la tension de la courroie, consulter la rubrique Réglage de la tension de la courroie sous <i>Entretien</i> . |

| CODE | CAUSE POSSIBLE | POSSIBLE SOLUTION |
|------|--|--|
| 14 | Écrous de montage du moteur ou lâches | Serrer les écrous de montage du moteur à un couple de 20,3 à 29,8 Nm (15 à 22 pi-lb). ⚠AVERTISSEMENT : Risque d'éclatement. Des vibrations excessives peuvent affaiblir le réservoir d'air et provoquer une rupture ou une explosion de celui-ci. Maintenir les vis de fixation bien serrées. |
| 15 | Le boulons du support du stabilisateur de la pompe est lâche | Contrôler le boulon et le serrer le cas échéant. Serrer le boulon du support du stabilisateur de la pompe à un couple de 20,3 à 29,8 Nm (15 à 22 pi-lb). ⚠AVERTISSEMENT : Risque d'éclatement. Des vibrations excessives peuvent affaiblir le réservoir d'air et provoquer une rupture ou une explosion de celui-ci. Maintenir le boulon du support du stabilisateur serré. Ne jamais utiliser l'appareil sans le support du stabilisateur. |
| 16 | Poulie lâche | Serrer les vis de calage de la poulie à un couple de 16,4 à 20,3 Nm (145 à 180 pi-lb). |
| 17 | Volant lâche | Serrer la vis du volant à un couple de 20,3 à 24,4 Nm (15 à 18 pi-lb). |
| 18 | Accumulation de carbone dans la pompe | Communiquer avec un centre de réparation en usine de DEWALT ou un centre de réparation agréé DEWALT. |
| 19 | Courroie trop serrée | Contrôler la tension de la courroie, consulter la rubrique Réglage de la tension de la courroie sous <i>Entretien</i> . |
| 20 | Mauvais alignement de la poulie | Consulter la rubrique Alignement de la poulie-moteur/volant sous <i>Entretien</i> . |
| 21 | Moteur défaillant | Communiquer avec un centre de réparation en usine de DEWALT ou un centre de réparation agréé DEWALT. |

| CODE | CAUSE POSSIBLE | POSSIBLE SOLUTION |
|-----------|--|---|
| 22 | Niveau d'huile moteur ou de la pompe bas | Ajouter de l'huile de synthèse DEWALT pour compresseur, dans la pompe. Consulter la rubrique Huile de la pompe du compresseur sous <i>Entretien</i> . |
| 23 | Utilisation d'huile détergente dans la pompe | Vidanger l'huile et recharger la pompe avec un huile complètement synthétique et sans détergent pour compresseur d'air. |
| 24 | Cycles de travail extrêmement léger | Utiliser l'appareil pour des cycles de travail plus prolongés. On recommande de l'utiliser à plein régime de 50 % à 75 % de son temps de fonctionnement et au ralenti pour les autres 25 %. |
| 25 | Segments de pistons endommagés ou usés | Communiquer avec un centre de réparation en usine de DEWALT ou un centre de réparation agréé DEWALT. |
| 26 | Cylindre ou piston endommagé ou usé | Communiquer avec un centre de réparation en usine de DEWALT ou un centre de réparation agréé DEWALT. |
| 27 | Fini du cylindre du compresseur est usé | Communiquer avec un centre de réparation en usine de DEWALT ou un centre de réparation agréé DEWALT. |
| 28 | Eau présente dans l'huile de la pompe | Vidanger l'huile et recharger la pompe avec un huile complètement synthétique et sans détergent pour compresseur d'air. |
| 29 | Levier de décompression du blocage manuel est en position ouverte . | Tourner le levier de décompression du blocage manuel en position perpendiculaire fermée . |
| 30 | Réservoir d'essence de la pompe vide | Ajouter de l'essence, consulter le mode d'emploi du moteur pour la bonne procédure. |

Compresor de aire

- A. Filtro de entrada de aire de la bomba
- B. Filtro de aire del motor
- C. Interruptor de START(encendido)/ RUN(en funcionamiento)/ OFF(apagado) del motor
- D. Manómetro del tanque de aire
- E. Salida de aire
- F. Válvula de descarga
- G. Válvula de seguridad
- H. Válvula de drenaje del tanque de aire
- I. Varilla para medición del nivel de aceite de la bomba/Tapón de llenado de aceite
- J. Tapón de drenaje de aceite de la bomba
- K. Válvula reguladora fija
- L. Control de estrangulación
- M. Palanca de la válvula de combustible
- N. Agarradera de arranque
- O. Válvula reguladora

Especificaciones de la bomba

2 Cilindros

De dos etapas

Lubricación con aceite

Reparto de cárter de hierro, cilindros y la culata

Peso: 62 kg (136 lbs.)

Capacidad de aceite: 1567 ml (53 onzas)

Especificaciones del motor

Honda 389 cc

Combustión interna
4 tiempos
RPM máximas 3600

Especificaciones

| | |
|-------------------------------------|---------------------------|
| MODELO | DXCMH1393075 |
| PESO | 497 lbs. (225,4 kg) |
| ALTURA | 46.4" (1178.6 mm) |
| ANCHO | 19.5" (495.3 mm) |
| LONGITUD | 42" (1066.8 mm) |
| CAPACIDAD DEL TANQUE DE AIRE | 30 gallons (113,6 liters) |
| PRESIÓN APROXIMADA DE ALIVIO | 175 psi |

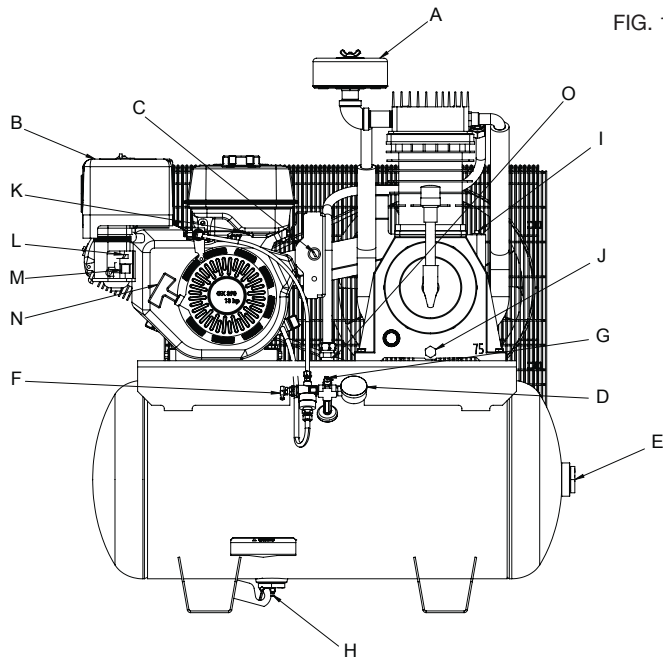
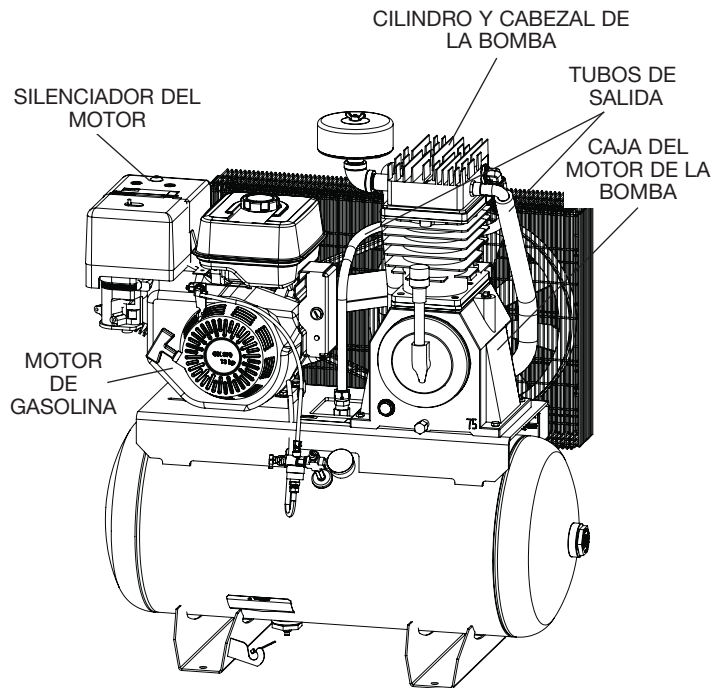


FIG. 1

Superficies calientes

FIG. 2



Definiciones: Normas de seguridad

Las siguientes definiciones describen el nivel de gravedad de cada advertencia. Lea el manual y preste atención a estos símbolos.

⚠ PELIGRO: Indica una situación de peligro inminente que, si no se evita, provocará la muerte o lesiones graves.

⚠ ADVERTENCIA: Indica una situación de peligro potencial que, si no se evita, podría provocar la muerte o lesiones graves.

⚠ ATENCIÓN: Indica una situación de peligro potencial que, si no se evita, puede provocar lesiones leves o moderadas.

AVISO: Se refiere a una práctica no relacionada a lesiones corporales que de no evitarse puede resultar en daños a la propiedad.

SI TIENE ALGUNA PREGUNTA O ALGÚN COMENTARIO QUE HACER CON RESPECTO A ESTA O CUALQUIER OTRA HERRAMIENTA DEWALT, LLÁMENOS SIN CARGO AL: 1-888-895-4549

Instrucciones de seguridad importantes

⚠ PELIGRO: Monóxido de carbono. Usar un motor en interiores lo matará en minutos. El escape del motor contiene altos niveles de monóxido de carbono (CO), un gas venenoso que no se puede ver ni oler. Puede estar inhalando CO aún si NO huele los gases del escape del motor.

- **NUNCA** use un motor en el interior de casas, garajes, sótanos u otras áreas parcialmente cerradas. En esas áreas se pueden acumular niveles mortales de monóxido de carbono. Usar un ventilador o abrir las ventanas **NO** suministra sufici-

ente aire fresco.

- **ÚSELO SOLAMENTE** en exteriores y lejos de ventilaciones, puertas y ventanas abiertas. Estas aberturas pueden atraer el escape del motor.
- Aun cuando el motor se use correctamente, el CO se puede infiltrar en su hogar. Dentro de la casa, utilice **SIEMPRE** una alarma contra CO a batería o con batería de reserva (no suministrada). Antes de usar la alarma contra CO, lea y siga todas las instrucciones. Si comienza a sentir náuseas, mareos o debilidad, vaya a un lugar con aire fresco de inmediato. Consulte a un médico. Es posible que se haya envenenado con monóxido de carbono.

⚠ ADVERTENCIA: No opere esta unidad hasta que haya leído este manual de instrucciones y el del motor y las instrucciones de seguridad, operación y mantenimiento.

⚠ ADVERTENCIA: Es posible que este producto no esté equipado con un silenciador apagachispas. Si el producto no está equipado con este dispositivo y se va a usar alrededor de materiales inflamables o sobre tierra cubierta con materiales como cultivos agrícolas, bosques, malezas, césped u otros elementos similares, debe instalarle un apagachispas aprobado. Éste es un requisito legal en el estado de California. Que el motor no esté equipado con un apagachispas, como se define en la sección 4442 del Código de Recursos Públicos de California ni se mantenga en un estado de operación eficaz, constituye una violación a la sección 130050 y/o a las secciones 4442 y 4443 de los estatutos de California. Los apagachispas también se requieren en ciertas tierras del Servicio Forestal de los Estados Unidos, y pueden ser obligatorios por ley en virtud de otros estatutos y ordenanzas.

⚠ ADVERTENCIA: CONTIENE PLOMO. Puede ser dañino si se ingiere o se mastica. Puede generar polvo que contenga plomo. Lávese las manos después del uso. Manténgalo fuera

del alcance de los niños.

⚠ADVERTENCIA: Este producto le podría exponer a productos químicos incluyendo Plomo, reconocido por el Estado de California como causante de cáncer, defectos de nacimiento u otros daños del sistema reproductivo. Para obtener más información, visite www.P65Warnings.ca.gov.

GUARDE ESTAS INSTRUCCIONES



⚠PELIGRO: RIESGO DE EXPLOSIÓN O INCENDIO

¿QUÉ PUEDE SUCEDER?

- La gasolina derramada y sus vapores pueden encenderse a causa de chispas de cigarrillos, arcos eléctricos, gases de escape y componentes calientes del motor, tales como el silenciador.
- El calor expandirá el combustible dentro del tanque, lo que podría provocar un derrame y una posible explosión incendio.

CÓMO EVITARLO

- Apague el motor y deje que se enfríe antes de agregar combustible al tanque.
- Sea cuidadoso al llenar el tanque para evitar el derrame de combustible. Aleje la unidad del área combustible antes de encender el motor.
- Mantenga el nivel máximo de combustible a 12,7 mm (1/2 pulg.) por debajo de la parte inferior del cuello de llenado a fin de brindar espacio para la expansión del combustible.

- Los materiales combustibles que entran en contacto con los componentes calientes del motor pueden encenderse.
- Agregue combustible en el exterior, en un área bien ventilada. Asegúrese de que no haya fuentes de ignición, tales como cigarrillos cerca del lugar de recarga de combustible.
- Opere el compresor en un área limpia, seca, bien ventilada y a una distancia mínima de 1,22 m (48 pulg.) de cualquier edificación, objeto o pared. No opere la unidad dentro de la casa o en un área muy cerrada.
- Opere el compresor en un lugar abierto, alejado de malezas secas o de otros materiales combustibles.
- Almacene el combustible dentro de un contenedor aprobado por OSHA en un lugar seguro, lejos del área de trabajo.
- El combustible que no se almacena en forma correcta podría causar la ignición accidental. Si no se le resguarda adecuadamente, podría terminar en manos de niños u otras personas no calificadas.

- **El funcionamiento sin atención de este producto podría provocar lesiones personales o daños a la propiedad. Para disminuir el riesgo de incendio, no permita que el compresor funcione sin que alguien lo controle.**

- Permanezca siempre controlando el producto cuando está en funcionamiento.



▲ PELIGRO: RIESGO RESPIRATORIO (ASFIXIA)

¿QUÉ PUEDE SUCEDER?

- ¡La inhalación de vapores de escape causará lesiones graves o la muerte! El escape del motor contiene monóxido de carbono, un gas inodoro que es fatal.

CÓMO EVITARLO

- Opere siempre el compresor de aire en el exterior, en un área limpia y bien ventilada. Evite los lugares cerrados como garajes, sótanos, cobertizos de almacenamiento, que carecen de una renovación de aire continua. Mantenga a los niños, las mascotas y a otras personas lejos del área de operación.

- El aire comprimido que sale de su compresor no es seguro para respirarlo. El flujo de aire puede contener monóxido de carbono, vapores tóxicos o partículas sólidas del tanque de aire. Respirar estos contaminantes puede provocar lesiones graves o la muerte.

- El aire que se obtiene directamente del compresor no se debe usar nunca para consumo humano. El compresor no incluye equipo de seguridad en línea y filtros adecuados para consumo humano.

- La exposición a productos químicos en el polvo producido por las herramientas eléctricas al lijar, aserrar, esmerilar, taladrar y otras actividades de la construcción puede ser peligrosa.
- Los materiales pulverizados como pintura, solventes para pinturas, removedor de pintura, insecticidas y herbicidas pueden contener vapores dañinos y venenos.
- Trabaje en un área con buena ventilación cruzada. Lea y siga las instrucciones de seguridad que se proveen en la etiqueta o en la ficha técnica de los materiales que está utilizando. Siempre utilice equipamiento de seguridad certificado: protección respiratoria aprobada por NIOSH/OSHA o una mascarilla facial adecuada diseñada para usar para los fines que usted requiere.



▲ PELIGRO: RIESGO DE EXPLOSIÓN

Tanque de aire: El 26 de febrero de 2002, la Comisión de Seguridad para Productos de Consumo de los Estados Unidos publicó el Comunicado # 02-108 sobre la seguridad en los tanques de compresores de aire:

Los tanques receptores de los compresores de aire no tienen una vida útil infinita. La vida útil del tanque depende de diversos factores, incluyendo las condiciones de operación, las condiciones ambientales, la instalación debida del mismo, modificaciones realizadas en el campo y el nivel de mantenimiento que reciba. Es difícil prever cuál será el efecto exacto de estos factores sobre la vida útil del tanque receptor de aire.

Si no se siguen procedimientos de mantenimiento debidos, la corrosión interna de la pared interior del tanque receptor de aire puede causar una ruptura imprevista en el tanque de aire, lo que hará que el aire presurizado escape con fuerza y repentinamente, pudiendo lesionar al usuario.

El tanque de su compresor de aire debe ser dado de baja al final del año que aparece en la etiqueta de advertencia de su tanque.

Las siguientes condiciones pueden llevar a debilitar el tanque de aire y ocasionar la explosión violenta del mismo:

¿QUÉ PUEDE SUCEDER?

- No drenar correctamente el agua condensada del tanque de aire, que provoca óxido y adelgazamiento del tanque de aire de acero.

CÓMO EVITARLO

- Drene el tanque diariamente o luego de cada uso. Si un tanque de aire presenta una pérdida, reemplácelo inmediatamente con un tanque nuevo o reemplace todo el compresor.

- Modificaciones o intento de reparación del tanque de aire.
- Modificaciones no autorizadas de la válvula de descarga, la válvula de seguridad o cualquier otro componente que controle la presión del tanque de aire.
- La vibración excesiva puede debilitar el tanque de aire y provocar rotura o explosión. La vibración excesiva puede ocurrir si el compresor no está instalado correctamente o si el motor funciona por encima de las RPM recomendadas.
- Nunca perfore, suelde o haga ninguna modificación al tanque de aire o a sus elementos. Nunca intente reparar un tanque de aire dañado o con pérdidas. Reemplácelo con un tanque de aire nuevo.
- El tanque de aire está diseñado para soportar determinadas presiones de operación. Nunca realice ajustes ni sustituya piezas para cambiar las presiones de operación fijadas en la fábrica.
- No retire la barra tensora que conecta la bomba del compresor al motor, salvo para ajustar la tensión de la correa. Luego ajuste bien los pernos de la barra tensora. Esta barra controla la vibración de la unidad.

Elementos y accesorios:

- Exceder las indicaciones de presión para las herramientas neumáticas, las pistolas pulverizadoras, los accesorios neumáticos, los neumáticos y otros artículos inflables puede hacer que exploten o revienten, y puede provocar lesiones graves.
- Siga la recomendación del fabricante del equipo y nunca exceda el nivel máximo de presión aceptable para los elementos. Nunca utilice el compresor para inflar objetos pequeños de baja presión, tales como juguetes de niños, pelotas de fútbol o de basquetbol, etc.

Neumáticos:

- El inflado excesivo de los neumáticos podría causar lesiones graves y daño a la propiedad.
 - Utilice un medidor de presión de neumáticos para controlar la presión de éstos antes de cada uso y mientras los infla; observe el flanco para ver la presión correcta del neumático.
- NOTA: Los tanques de aire, los compresores y el equipo similar que se usa para inflar neumáticos pueden llenar neumáticos pequeños como éstos con mucha rapidez. Ajuste el regulador de presión en el suministro de aire a un valor que no supere el de la presión del neumático. Agregue aire en forma gradual y use con frecuencia el medidor de presión de neumáticos para evitar inflarlos.



⚠ PELIGRO: RIESGO DE LESIÓN O DAÑO A LA PROPIEDAD AL TRANSPORTAR O ALMACENAR LA UNIDAD

¿QUÉ PUEDE SUCEDER?

- Se puede producir una pérdida o derrame de aceite, lo que podría provocar peligro de incendio o inhalación, lesiones graves o la muerte. Los derrames de aceite dañarán alfombras, pintura u otras superficies de vehículos o remolques.

CÓMO EVITARLO

- Coloque siempre el compresor en un tapete protector cuando lo transporte, para proteger al vehículo de daños por pérdidas. Retire inmediatamente el compresor del vehículo una vez que haya llegado a destino. Mantenga siempre el compresor nivelado y nunca lo coloque de costado.



⚠ ADVERTENCIA: RIESGO DE OBJETOS DESPEDIDOS

¿QUÉ PUEDE SUCEDER?

- La corriente de aire comprimido puede provocar lesiones en los tejidos blandos de la piel expuesta y puede impulsar suciedad, astillas, partículas sueltas y objetos pequeños a gran velocidad, que pueden producir daños en la propiedad y lesiones personales.

CÓMO EVITARLO

- Utilice siempre equipo de seguridad certificado: anteojos de seguridad ANSI Z87.1(CAN/ CSA Z94.3) con protección lateral al usar el compresor.
- Nunca apunte ninguna boquilla ni pulverizador a ninguna parte del cuerpo o a otras personas o animales.
- Apague siempre el compresor y drene la presión de la manguera de aire y del tanque de aire antes de intentar hacer mantenimiento, conectar herramientas o accesorios.



⚠ADVERTENCIA: RIESGO DE SUPERFICIES CALIENTES

¿QUÉ PUEDE SUCEDER?

- Tocar metal expuesto como el cabezal del compresor, el cabezal del motor, el escape del motor, o los tubos de salida puede provocar quemaduras graves.

CÓMO EVITARLO

- Nunca toque ninguna parte metálica expuesta del compresor durante o inmediatamente después de su funcionamiento. El compresor continuará caliente durante varios minutos después de su funcionamiento.
- No toque las cubiertas protectoras ni intente realizar mantenimiento hasta que la unidad se haya enfriado.



⚠ADVERTENCIA: RIESGO DE OPERACIÓN INSEGURA

¿QUÉ PUEDE SUCEDER?

- La operación insegura de su compresor de aire podría producir lesiones graves o la muerte, a usted mismo o a otras personas.

CÓMO EVITARLO

- Revise y comprenda todas las instrucciones y advertencias de este manual.
- Familiarícese con la operación y los controles del compresor de aire.
- Mantenga el área de operaciones libre de personas, mascotas y obstáculos.
- Mantenga a los niños alejados del compresor de aire en todo momento.
- No opere el producto cuando esté cansado o bajo la influencia de alcohol o drogas. Manténgase alerta en todo momento.
- Nunca anule las características de seguridad de este producto.
- Equipe el área de operaciones con un extintor de incendios.
- No opere la máquina si faltan piezas, si éstas están rotas o si no son las autorizadas.
- Nunca se pare sobre el compresor.



▲ADVERTENCIA: RIESGO POR PIEZAS MÓVILES

¿QUÉ PUEDE SUCEDER?

- El motor puede arrancar en forma accidental si el volante se gira con la mano o si se mueve al tirar de la cuerda de arranque.
- Las piezas móviles como la polea, el volante y la correa pueden provocar lesiones graves si entran en contacto con usted o con sus ropas.
- Intentar hacer funcionar el compresor con partes dañadas o faltantes, o intentar reparar el compresor sin las cubiertas protectoras puede exponerlo a piezas móviles, lo que puede provocar lesiones graves.

CÓMO EVITARLO

- Desconecte siempre la bujía y drene la presión del tanque de aire antes de realizar tareas de mantenimiento.
- Nunca haga funcionar el compresor sin los protectores o cubiertas o si los mismos están dañados.
- Mantenga el cabello, la ropa y los guantes alejados de las piezas en movimiento. Las ropas holgadas, las joyas o el cabello largo pueden quedar atrapados en las piezas móviles.
- Los orificios de ventilación pueden cubrir piezas en movimiento, por lo que también se deben evitar.
- Cualquier reparación requerida por este producto debe ser realizada por un centro de servicio de fábrica DEWALT o un centro de servicio autorizado DEWALT.



▲ATENCIÓN: RIESGO POR RUIDOS

¿QUÉ PUEDE SUCEDER?

- En determinadas condiciones y según el período de uso, el ruido provocado por este producto puede originar pérdida de audición.

CÓMO EVITARLO

- Utilice siempre equipo de seguridad certificado: protección auditiva ANSI S12.6 (S3.19).

SAVE THESE INSTRUCTIONS FOR FUTURE USE

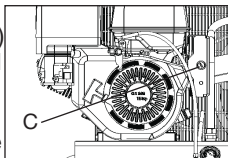
Conozca su compresor de aire

LEA ESTE MANUAL DEL PROPIETARIO Y SUS NORMAS DE SEGURIDAD ANTES DE OPERAR LA UNIDAD. Compare las ilustraciones contra su unidad a fin de familiarizarse con la ubicación de los distintos controles y regulaciones. Conserve este manual para referencias futuras.

CARACTERÍSTICAS

ARRANQUE ELÉCTRICO

El interruptor del motor se puede colocar (C) en tres posiciones: START (encendido)/ RUN (en funcionamiento)/ OFF (apagado). Consulte **Arranque en Funcionamiento**, para obtener todas las instrucciones de arranque.

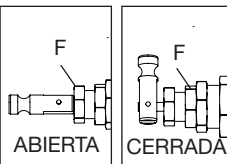


VÁLVULA DE DESCARGA

Cuando se obtenga la presión máxima del tanque de aire, la válvula de descarga (F) se activará. Esto provocará que el compresor descargue el aire a la atmósfera y no al tanque.

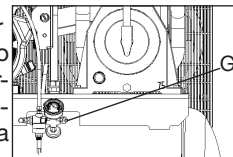
Bloqueo manual: El bloqueo manual le permite descargar manualmente el compresor con presión de aire en el tanque de aire. Para operar el bloqueo manual:

Gire la palanca de descarga de bloqueo manual a la posición de **abierta** para evitar la acumulación de presión en el tanque de aire. Gire la palanca de descarga de bloqueo manual a la posición de **cerrada** luego de encender el motor para permitir que se acumule presión en el tanque de aire. **NOTA:** El aire no se acumulará en el tanque cuando la palanca de descarga de bloqueo manual esté en la posición de **abierta**.



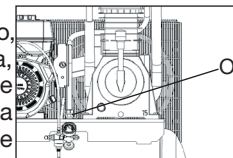
VÁLVULA DE SEGURIDAD

Esta válvula (G) está diseñada para prevenir fallas del sistema aliviando la presión cuando el aire comprimido alcanza un nivel predeterminado. La válvula está calibrada desde fábrica y no se debe quitar ni modificar de ninguna forma.



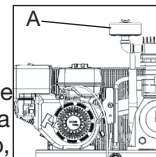
VÁLVULA DE CONTROL

Cuando el compresor de aire está funcionando, la válvula de control (O) está abierta, permitiendo al aire comprimido entrar al tanque de aire. Cuando el compresor de aire alcanza la presión de corte, la válvula de control se cierra, permitiendo que la presión de aire se conserve dentro del tanque de aire.



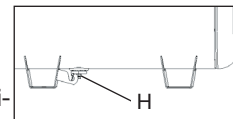
FILTRO DE ENTRADA DE AIRE

El filtro (A) está diseñado para limpiar el aire que ingresa a la bomba. Para asegurar que la bomba reciba continuamente un suministro de aire limpio, fresco y seco, el filtro debe estar siempre limpio y la entrada del filtro libre de obstrucciones.



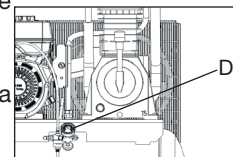
VÁLVULA DE DRENAJE DEL TANQUE DE AIRE

La válvula de drenaje (H) se utiliza para eliminar la humedad del tanque de aire luego de apagar el motor.



MANÓMETRO DEL TANQUE DE AIRE

El manómetro del tanque de aire (D) indica la presión de aire dentro del tanque de aire.



VÁLVULA ESFÉRICA/VÁLVULA DE SALIDA DE AIRE: (se vende por separado, no ha sido ilustrada) Abra y cierre la distribución de aire des compresor.

VÁLVULA REGULADORA(vendido por separado, no mostrado): Cuando el compresor de aire se encuentra funcionando, la válvula reguladora esta "abierta", permitiendo la entrada del aire comprimido al tanque de aire. Cuando el nivel de presión del tanque alcanza el punto de "corte", la válvula reguladora "se cierra", reteniendo la presión del aire dentro del tanque.

BOMBA DE COMPRESIÓN DEL AIRE

Comprime el aire dentro del tanque. El aire de trabajo no se encuentra disponible hasta que el compresor haya alcanzado a llenar el tanque hasta un nivel de presión por encima del requerido para la salida del aire.

MOTOR DE GASOLINA

El motor de gasolina conduce la bomba. El motor conduce una polea y una correa, las cuales transfieren la potencia desde el motor hacia los pistones de la bomba por medio de un volante y un eje de transmisión. El ventilador del volante ayuda a enfriar la bomba.

CONTROL DE GASES

Cuando se alcanza la presión máxima del tanque de aire y la válvula de descarga ventila aire, se activa el control de gases en el motor. Esta característica de ahorro de gas mantiene el motor en una marcha en vacío fijada en fábrica hasta que la presión de aire del tanque baja a la presión de reajuste. La válvula de descarga reactiva luego el control de gases y acelera el motor a plena marcha.

SENSORE DE APAGADO AUTOMÁTICO DEBIDO A BAJO NIVEL DE ACEITE

El motor del compresor de aire está equipado con un sensor de

apagado automático debido a bajo nivel de aceite. Éste es un dispositivo de seguridad diseñado para proteger al motor de daños en el caso de que el nivel de aceite de la caja del motor esté por debajo del mínimo.

Si el aceite del motor baja mientras el compresor de aire está en funcionamiento, el motor se apagará automáticamente y no se encenderá nuevamente hasta que se agregue aceite al motor. Si el nivel de aceite es bajo antes del encendido, el motor no arrancará hasta que no se agregue aceite.

NOTA: el sensor de apagado automático debido a bajo nivel de aceite es muy sensible. Debe llenar el motor hasta la marca de completo en la varilla de medición del nivel de aceite para desactivar este dispositivo de seguridad.

INSTALACIÓN

Ensamblaje (referirse a la Fig. 1, página 66)

Desembale el compresor de aire. Inspeccione la unidad para verificar que no sufrió daños. Si la unidad ha sido dañada durante el transporte, comuníquese con la empresa transportadora y complete una reclamación por daños. Haga esto de inmediato porque existen limitaciones de tiempo respecto a las reclamaciones por daños.

La caja debe contener los elementos siguientes:

- compresor de aire
- calzos antivibratorios (cant 4)
- manual del operador y manual de piezas
- manual del motor

Verifique el rótulo del número de serie del compresor para asegurarse de que haya recibido el modelo que pidió y que el mismo tenga la presión nominal requerida para el

uso deseado.

INSTALACIÓN DE LAS MANGUERAS

⚠ADVERTENCIA: *Riesgo de operación insegura. Sostenga la manguera firmemente con las manos al instalarla o desconectarla para evitar la desconexión repentina de la manguera.*

1. Deje purgar el aire lentamente del tanque de aire y del sistema de distribución de aire hasta que la presión del mismo llegue aproximadamente a 0 psi.
2. Coloque cinta selladora en las roscas de la manguera.
3. Ensamble la manguera a la salida de aire (E). **IMPORTANTE:** No ensamble los separadores directamente a la salida de aire (E).

NOTA: Ensamblar conectores rápidos a las salidas de aire y enchufes de conexión rápida a los extremos de la manguera hace que la conexión y la desconexión de las mangueras sea más simple y fácil. Los conectores rápidos y los enchufes de conexión rápida se pueden comprar en un comercio minorista o en un centro de mantenimiento autorizado.

DESCONEXIÓN DE LAS MANGUERAS

⚠ADVERTENCIA: *Riesgo de operación insegura. Sostenga la manguera firmemente con las manos al instalarla o desconectarla para evitar la desconexión repentina de la manguera.*

1. Deje purgar el aire lentamente del tanque de aire y del sistema de distribución de aire hasta que la presión del mismo llegue aproximadamente a 0 psi.
2. Retire la manguera de la salida de aire (E).

Lubricación y aceite

MOTOR

1. El motor se llenó **CON** aceite en la fábrica. Controle el nivel de aceite del motor antes de operar la unidad. De ser necesario,

llene el motor hasta el nivel adecuado con el aceite recomendado, consulte el procedimiento correcto en el manual de instrucciones del motor provisto por el fabricante.

2. Agregue combustible al motor. Consulte el procedimiento correcto en el manual de instrucciones del motor provisto por el fabricante.

⚠ADVERTENCIA: *Riesgo de explosión o incendio. El vapor de la gasolina es altamente inflamable. Cargue el combustible preferentemente en el exterior o solamente en áreas bien ventiladas. No cargue combustible ni controle el nivel de gasolina mientras el motor esté funcionando. No almacene, derrame ni use gasolina cerca de llamas, donde se generen chispas (como en soldaduras) o cerca de equipos eléctricos en funcionamiento.*

COMPRESOR DE AIRE

La bomba del compresor de aire se llenó CON aceite en la fábrica. Controle el nivel de aceite de la bomba del compresor de aire antes de operar la unidad. Consulte **Aceite de la bomba del compresor** en la sección *Mantenimiento*.

Compatibilidad

Las herramientas neumáticas y los accesorios que funcionan con el compresor deben ser compatibles con productos a base de petróleo. Si sospecha que un material no es compatible con productos del petróleo se requiere un filtro de línea de aire que elimine la humedad y el vapor de aceite en el aire comprimido.

NOTA: Utilice siempre un filtro de línea de aire para eliminar la humedad y el vapor de aceite al pulverizar pintura.

Lugar

⚠ADVERTENCIA: *Riesgo respiratorio. El escape del motor de gasolina contiene monóxido de carbono, un gas inodoro, tóxico y fatal. Opere el motor solamente en áreas bien ventiladas.*

AVISO: Riesgo de daño a la propiedad. Para evitar daños en el compresor de aire, no permita que la unidad se incline más de 10° cuando esté en funcionamiento.

Coloque el compresor de aire a una distancia de al menos 1,2 m (4 pies) de los obstáculos que puedan impedir una ventilación adecuada. Mantenga la unidad alejada de áreas que tengan suciedad, vapor y humo volátil en la atmósfera y que puedan atascar y retener el filtro de entrada y las válvulas, provocando un funcionamiento ineficiente.

ÁREAS HÚMEDAS

En áreas frecuentemente húmedas, se puede formar humedad en la bomba y sedimentos en el aceite, provocando que las piezas se desgasten en forma prematura. Es muy probable que se produzca humedad excesiva si la unidad se ubica en un área sin calefacción, sujeta a grandes cambios de temperatura. Dos signos de humedad excesiva son la condensación externa en la bomba cuando se enfría y un aspecto “lechoso” del aceite del compresor. Puede prevenir la formación de humedad en la bomba aumentando la ventilación u operando la unidad durante intervalos más largos.

CONSIDERACIONES SOBRE EL RUIDO

Consulte a las autoridades locales sobre los niveles de ruido aceptables en su zona. Para disminuir el ruido excesivo, utilice soportes antivibratorios o silenciadores, reubique la unidad o construya cerramientos completos o tabiques divisorios. Póngase en contacto con un centro de mantenimiento DEWALT o llame al 1-888-895-4549 para obtener ayuda.

Anclaje del compresor de aire

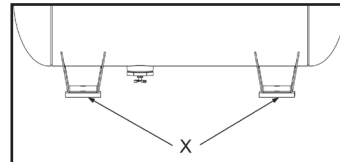
⚠ADVERTENCIA: Riesgo de explosión. La vibración excesiva puede debilitar al tanque de aire y causar su explosión. El compresor debe estar montado adecuadamente.

El compresor de aire DEBE de anclarse a una superficie sólida y nivelada.

Coloque el compresor en el piso o sobre una superficie dura y nivelada. El compresor debe estar nivelado para asegurar una buena lubricación de la bomba del compresor y un buen drenaje del agua condensada en el tanque receptor.

La paleta de embarque no está diseñada para servir como base para un compresor en operación. El hacer funcionar el compresor montado sobre la paleta anulará la garantía.

Para evitar daños al tanque y al compresor, se debe calzar el tanque de manera que la bomba quede nivelada dentro de 3 mm por pie lineal como máximo, a fin de distribuir correctamente el aceite. Sujetar los pies del tanque al suelo y NUNCA forzarlos sin antes haber colocado las cuñas, al apretar. También se recomienda el uso de calzos antivibratorios (094-0137) debajo de los pies del tanque (X).



NOTA: Si el compresor está instalado sobre un vehículo, éste se debe estacionar sobre una superficie nivelada cuando se haga funcionar el compresor. De esta manera se asegura la lubricación correcta de la bomba y el motor de gasolina. aire.

CONEXIÓN DE UNA BATERÍA

1. **Batería:** 12 voltios sellaron la batería con un amperio mínimo el grado de la hora de 18 ah se requiere (batería no incluida).

2. **Cables de la batería:** Seleccione los cables de la batería para evitar mayor que gota de .05 voltio en el cable durante el motor de arrancador operación.
3. **Tamaño y longitud del cable de la batería:** (Longitud del calibre x)
Cable positivo: AWG máximo de m del No. 4 x 1.5 (5.0 pies).
Cable negativo: AWG máximo de m del No. 4 x 2.3 (7.5 pies).
4. **Precauciones del cableado:**
 - A. Conecte el cable positivo de la batería (+) (a) con terminal del solenoide del arrancador.
 - B. Conecte el cable negativo de la batería (-) (b) con perno de montaje del marco del cárter del motor del motor o del motor.
 - C. No encamine los cables de la batería encendido ni acerque a caliente, moviéndose o piezas de rotación o filos. Mantenga cables de la batería y alambres eléctricos lejos del combustible línea.
 - D. Proteja las conexiones eléctricas positivas con una cubierta o aislamiento.

Si no se conecta y desconecta en la secuencia correcta puede ocasionar daños al equipo. Asegúrese de que haya un ajuste limpio y firme de los cables en los bornes.

⚠ADVERTENCIA: *Antes de hacer mantenimiento, retire el cable del lado negativo (-) de la batería.*

El servicio a las baterías debe efectuarlo o supervisarlo personal calificado con conocimiento sobre baterías y las precauciones que hay que tener con ellas. Mantenga lejos de las baterías a todo personal no autorizado.

INSTRUCCIONES DE SEGURIDAD DE LA BATERÍA

⚠ADVERTENCIA: *Las baterías de plomo pueden provocar incendios debido a que generan gas de hidrógeno. Se deben seguir los procedimientos siguientes:*

- *No fume cuando se encuentre cerca de las baterías.*
- *No produzca chispas ni acerque una llama viva al área de baterías.*
- *Descargue la electricidad estática de su cuerpo, tocando una superficie metálica conectada a tierra, antes de tocar las baterías.*
- *No deseche las baterías en un fuego. Las baterías pueden explotar.*
- *No abra ni rompa las baterías. El electrolito puede ser dañino para la piel y los ojos, y puede ser tóxico.*

⚠ADVERTENCIA: *Una batería presenta riesgos de descargas eléctricas y de corto circuito con corriente alta. Se deben observar las siguientes precauciones al trabajar con baterías:*

- *No use relojes, anillos ni otros objetos metálicos.*
- *Utilice herramientas con asas aisladas.*
- *Utilice guantes de goma.*
- *No ponga herramientas o piezas metálicas encima de las baterías.*
- *Desconecte la fuente de carga antes de conectar desconectar los terminales de las baterías.*
- *Compruebe que la batería no se haya conectado a tierra en forma inadvertida. Si esto ocurre, retire la conexión a tierra. El contacto con cualquier parte de una batería con conexión a tierra puede causar una descarga eléctrica. Se reduce este riesgo al quitar las conexiones a tierra durante la instalación y mantenimiento.*

- *Si no se sigue la secuencia adecuada de conexión y desconexión se puede provocar daños al equipo. Asegúrese de que haya un ajuste limpio y estrecho entre los cables y los bornes.*

PREPARACIÓN PARA EL USO

Lista de control previa a la puesta en marcha (referirse a la Fig. 1, página 66)

1. Asegúrese de que el interruptor de START (encendido)/ RUN (en funcionamiento)/ OFF (apagado) (C) esté en la posición de OFF (apagado).
2. Asegúrese de que el tanque de aire se haya drenado, consulte **Drenar el tanque de aire en la sección Mantenimiento.**
3. Asegúrese de que la válvula de drenaje (H) esté cerrada.
4. Asegúrese de que la válvula de seguridad (G) funcione correctamente, consulte **Controlar la válvula de seguridad en la sección Mantenimiento.**
5. Controle el nivel de aceite de la bomba, consulte **Aceite de la bomba del compresor en la sección Mantenimiento.**

¡ATENCIÓN: No opere la unidad sin aceite o con aceite inadecuado. DEWALT no se responsabiliza por las fallas del compresor provocadas por el uso de aceite inadecuado.

6. Controle el nivel de combustible y aceite del motor, consulte los procedimientos correctos en el manual de instrucciones del motor.
7. Inspeccione visualmente la correa impulsora. Reemplace la correa si está deshilachada, rajada o gastada.

NOTA: Se debe retirar la cubierta exterior de la correa para inspeccionar la correa impulsora.

8. Asegúrese de que todos los protectores, cubiertas y etiquetas

estén en su lugar, sean legibles (en el caso de las etiquetas) y estén montados en forma segura. No utilice el compresor hasta que no haya verificado todos los puntos.

¡ADVERTENCIA: No opere esta unidad hasta que haya leído este manual de instrucciones y el del motor y las instrucciones de seguridad, operación y mantenimiento.

PROCEDIMIENTO DE PUESTA EN MARCHA INICIAL

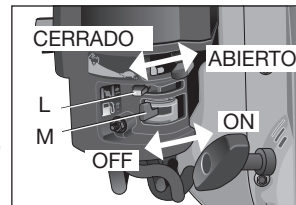
AVISO: Riesgo de daño a la propiedad. No seguir cuidadosamente las siguientes instrucciones de puesta en marcha inicial puede provocar daños graves.

Se requiere este procedimiento:

- Antes de utilizar el compresor de aire por primera vez.
- Cuando se ha reemplazado la válvula de descarga.
- Cuando se ha reemplazado la bomba del compresor.

El procedimiento:

1. Siga la **Lista de control previa a la puesta en marcha** de la sección *Preparación para el uso*.
2. Gire la palanca de descarga de bloqueo manual a la posición de **abierta** para evitar la acumulación de presión en el tanque de aire.
3. Prepare el motor para utilizarlo por primera vez, consulte el procedimiento correcto en el manual de instrucciones del motor.
4. Coloque la palanca de la válvula de combustible (M) en la posición **ON** (de encendido).
5. Si el motor está frío, mueva el estrangulador (L) a la posición **CLOSED** (cerrado), según se muestra. Si el motor está caliente,



mueva el estrangulador a la posición OPEN (abierto).

6. Arranque de retroceso:

- a. Coloque el interruptor START (encendido)/ RUN (en funcionamiento)/ OFF (apagado) del motor (C) en la posición RUN (en funcionamiento).
- b. **⚠ADVERTENCIA: Riesgo de operación insegura. Tire de la agarradera de arranque lentamente hasta sentir cierta resistencia. Luego, tire de la agarradera de arranque (N) rápidamente para evitar el retroceso y las lesiones en manos o brazos.**

NOTA: No permita que la agarradera de arranque vuelva a su posición. Lentamente, colóquela nuevamente en posición en forma manual.

Arranque eléctrico.

- a. Conecte una batería al solenoide del motor de gas. Consulte **Conexión de una batería** para el procedimiento.
- b. Coloque el interruptor START (encendido)/ RUN (en funcionamiento)/ OFF (apagado) (C) en la posición START (encendido) y manténgalo allí hasta que el motor se encienda.

NOTA: No mantenga el interruptor en la posición START (encendido) durante más de 5 segundos. Si el motor no arranca, espere 10 segundos antes de volver a intentar. Si no sigue estas instrucciones, el arrancador del motor se puede dañar por sobrecalentamiento.

- c. Cuando encienda el motor, libere el interruptor del motor para que vuelva a la posición RUN (en funcionamiento).

NOTA: No gire el interruptor del motor a la posición START (encendido) con el generador en movimiento.

NOTA: Si el nivel de aceite del motor es bajo, el motor no arrancará. Si el motor no arranca, controle el nivel de aceite y agregue aceite según sea necesario.

NOTA: Para asegurar una lubricación máxima de aceite, coloque la

unidad en una superficie nivelada.

7. A medida que el motor se caliente, mueva el estrangulador hacia la POSICIÓN DE abierto.
8. Haga funcionar el compresor de aire durante **30 minutos** para asentar los anillos y lubricar todas las superficies internas. Asegúrese de que no haya acumulación de presión en el tanque de aire tomando la lectura del manómetro.
9. Gire el bloqueo manual de la válvula de descarga hacia la posición de **cerrado** para que se acumule presión en el tanque de aire.
10. Habrá aire comprimido disponible en la salida de aire de la manguera hasta que se utilice o descargue.

ROCEDIMIENTOS OPERATIVOS

Puesta en marcha (referirse a la Fig. 1, página 66)

⚠ADVERTENCIA: No opere esta unidad hasta que haya leído y comprendido el manual de instrucciones de seguridad, operación y mantenimiento del motor.

1. Siga la **Lista de control previa a la puesta en marcha de la sección Preparación para el uso.**
2. Gire la palanca de descarga de bloqueo manual a la posición **de abierta** para ayudar a la puesta en marcha.
3. Coloque la palanca de la válvula de combustible (M) en la posición ON (de encendido).
4. Si el motor está frío, mueva el estrangulador (L) a la posición CLOSED (cerrado), según se muestra. Si el motor está caliente, mueva el estrangulador a la posición OPEN (abierto).
5. **Arranque de retroceso:**
 - a. Coloque el interruptor START/RUN/OFF (ENCENDIDO/EN FUNCIONAMIENTO/APAGADO) del motor (C) en la posición RUN (en funcionamiento).

- b. **⚠ADVERTENCIA:** *Riesgo de operación insegura. Tire de la agarradera de arranque lentamente hasta sentir cierta resistencia. Luego, tire de la agarradera de arranque (N) rápidamente para evitar el retroceso y las lesiones en manos o brazos.*

NOTA: No permita que la agarradera de arranque vuelva a su posición. Lentamente, colóquela nuevamente en posición en forma manual.

Arranque eléctrico

- a. Conecte una batería al solenoide del motor de gas. Consulte **Conexión de una batería** para el procedimiento.

- b. Coloque el interruptor START (encendido)/ RUN (en funcionamiento)/ OFF (apagado) (C) en la posición START (encendido) y manténgalo allí hasta que el motor se encienda.

NOTA: No mantenga el interruptor en la posición START (de arranque) durante más de 5 segundos. Si el motor no arranca, espere 10 segundos antes de volver a intentar. Si no sigue estas instrucciones, el arrancador del motor se puede dañar por sobrecalentamiento.

- c. Cuando encienda el motor, libere el interruptor del motor para que vuelva a la posición RUN (en funcionamiento).

NOTA: No gire el interruptor del motor a la posición START (encendido) con el generador en movimiento.

NOTA: Si el nivel de aceite del motor es bajo, el motor no arrancará. Si el motor no arranca, controle el nivel de aceite y agregue aceite según sea necesario.

NOTA: Para asegurar una lubricación máxima de aceite, funcionar la unidad en una superficie nivelada.

6. A medida que el motor se caliente, mueva el estrangulador hacia la POSICIÓN DE abierto.
7. Gire la palanca de descarga de bloqueo manual a la posición

de cerrada para permitir que se acumule presión en el tanque de aire. **NOTA:** La bomba no funcionará con la palanca de des carga de bloqueo manual en la **posición** de abierta.

8. Permita que el compresor bombee para **descargar** la presión.

NOTA: Si observa algún ruido o vibración inusuales, apague el compresor y consulte la sección de detección de problemas.

NOTA: La bomba del compresor de aire puede funcionar en forma continua. Para prolongar la vida útil del compresor de aire, se recomienda operar la unidad a alta velocidad entre el 50 y el 75% del tiempo de funcionamiento, y operarla en marcha en espera el 25% del tiempo de funcionamiento.

9. Conecte la manguera y los accesorios.

⚠ADVERTENCIA: *Riesgo de operación insegura. Sostenga la manguera firmemente con las manos al instalarla o desconectarla para evitar la desconexión repentina de la manguera.*

⚠ADVERTENCIA: *Riesgo de operación insegura. No utilice los accesorios dañados o usados.*

⚠ATENCIÓN: *Riesgo de operación insegura. El aire comprimido de la unidad puede contener condensación de agua y emanación de aceite. No pulverice aire no filtrado sobre un artículo que podría dañarse con la humedad. Algunos dispositivos o herramientas neumáticas pueden requerir aire filtrado. Lea las instrucciones del dispositivo o la herramienta neumática.*

Apagado (referirse a la Fig. 1, página 66)

1. Coloque el interruptor de START (encendido)/ RUN (en funcionamiento)/ OFF (apagado) del motor (C) en la posición OFF (apagado).
2. Coloque la palanca de la válvula de combustible (M) en la posición de OFF (apagado).

NOTA: Si terminó de utilizar el compresor, siga los pasos 3 a 5.

3. Retire la manguera y los accesorios.

4. Deje purgar el aire lentamente del tanque de aire y del sistema de distribución de aire hasta que la presión del mismo llegue aproximadamente a 0 psi.
5. Drene el tanque de aire. Consulte **Drenar el tanque de aire en la sección Mantenimiento**

⚠ADVERTENCIA: *Riesgo de explosión. Drene el tanque de aire diariamente. El agua se condensará en el tanque de aire. Si no se drena, el agua corroerá y debilitará el tanque de aire provocando el riesgo de rotura del mismo.*

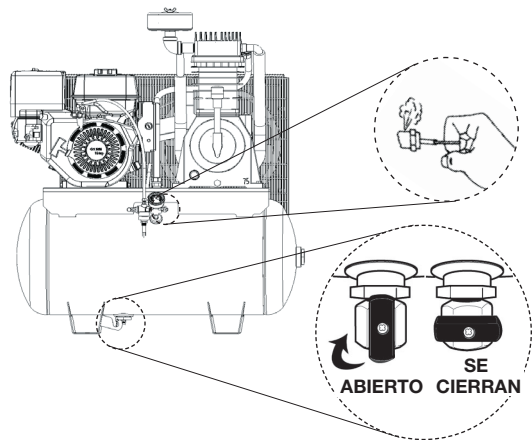


FIG. 3

MANTENIMIENTO

Se deben seguir los siguientes procedimientos cuando se realicen tareas de mantenimiento o servicio en el compresor de aire.

1. Asegúrese de que el interruptor de START (encendido)/ RUN (en funcionamiento)/ OFF (apagado) (C) esté en la posición de OFF (apagado).
2. Desconecte el cable de la bujía.
3. Drene el tanque de aire.
4. Deje enfriar el compresor de aire antes de comenzar las tareas de mantenimiento

NOTA: Todos los sistemas de aire comprimido contienen piezas de mantenimiento (por ejemplo, aceite, filtros, separadores) que se reemplazan periódicamente. Estas piezas usadas pueden contener sustancias reguladas y se deben desechar conforme a las leyes y reglamentaciones locales, estatales y federales.

NOTA: Tome nota de las posiciones y ubicaciones de las piezas durante el desarmado para facilitar el reensamblaje.

NOTA: Cualquier tarea de mantenimiento no incluida en esta sección debe ser realizada por un centro de servicio de fábrica DEWALT o un centro de servicio autorizado DEWALT.

Tabla de mantenimiento

| Procedimiento | Diariamente | Semanalmente | Mensual o cada 50 horas | 1 vez al año o cada 200 horas | Remítase a la etiqueta de advertencia del tanque |
|--|---|----------------|-------------------------|-------------------------------|--|
| Controlar la válvula de seguridad | X | | | | |
| Inspeccionar el filtro de aire | | X ⁺ | | | |
| Drenar el tanque de aire | X | | | | |
| Controlar el nivel de aceite de la bomba | X | | | | |
| Cambiar el aceite de la bomba | | | | X ⁺⁺⁺ | |
| Inspeccionar si hay pérdidas de aceite | X | | | | |
| Inspeccionar la correa impulsora | X | | | | |
| Controlar la tensión de la correa impulsora | | | X | | |
| Controlar la alineación de la polea y el volante | | | | X | |
| Controlar ruidos o vibraciones inusuales | X | | | | |
| Verificar si hay pérdidas de aire | X [*] | | | | |
| Limpiar el exterior del compresor | | X | | | |
| El tanque debe ser dado de baja | | | | | X ⁺⁺ |
| Motor | Consultar el manual de instrucciones del motor. | | | | |
| * Para verificar si hay pérdidas de aire aplique una solución de agua jabonosa alrededor de las juntas. Mientras el compresor bombea para generar presión y luego de que la presión se corte, vea si se forman burbujas de aire. | | | | | |

** El aceite de la bomba se debe cambiar luego de las primeras 20 horas de funcionamiento. De allí en adelante, cuando utilice aceite completamente sintético y sin detergente para compresor de aire, cambie el aceite cada 200 horas de funcionamiento o una vez al año, lo que ocurra primero.

+ Más frecuente en lugares con humedad o polvo

++ Para mayor información, llame al 1-888-895-4549.

⚠ADVERTENCIA: Para evitar lesiones personales, siempre apague el motor de gasolina y aliviar toda la presión de aire del sistema antes de realizar cualquier servicio en el aire compresor.

Para asegurar una operación eficiente y una vida útil más prolongada del compresor de aire, debe prepararse y seguirse un programa de mantenimiento rutinario. El programa de mantenimiento rutinario precedente está diseñado para un equipo que funciona diariamente en un ambiente normal de trabajo. Si fuese necesario, debe modificarse el programa para adaptarlo a las condiciones bajo las cuales se usa su compresor. Las modificaciones dependerán de las horas de operación y del ambiente de trabajo. Los compresores que funcionan en un ambiente sumamente sucio y/u hostil requerirán que hagan todas las inspecciones de mantenimiento con mayor frecuencia.

NOTA: Vea en la sección *Operación* para la ubicación de los controles.

Controlar la válvula de seguridad (referirse a la Fig. 1, página 66)

⚠ADVERTENCIA: Superficies calientes. Riesgo de quemaduras. El posenfriador, el cabezal de la bomba y las piezas circundantes están muy calientes, no los toque (vea las Superficies calientes

identificadas en la Fig. 2). Espere hasta que el compresor se enfríe antes de realizar el mantenimiento.

⚠ADVERTENCIA: Riesgo de explosión. Si la válvula de seguridad no trabaja correctamente, puede haber sobrepresurización, provocando la rotura del tanque de aire o una explosión.

⚠ADVERTENCIA: Riesgo de objetos despedidos. Utilice siempre equipo de seguridad certificado: anteojos de seguridad ANSI Z87.1 (CAN/CSA Z94.3) con protección lateral.

Antes de arrancar el compresor, tire del anillo de la válvula de seguridad para asegurarse de que la válvula de seguridad trabaja libremente. Si la válvula está atascada o no opera con facilidad, se la debe reemplazar con el mismo tipo de válvula.

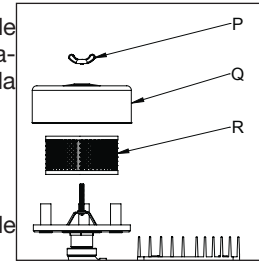
Filtro de Aire - Inspección y reemplazo

⚠ADVERTENCIA: Riesgo de quemaduras. Superficies calientes. El cabezal de la bomba y las piezas circundantes están muy calientes, no los toque (vea las Superficies calientes identificadas en la Fig. 2). Espere hasta que el compresor se enfríe antes de realizar el mantenimiento.

Un filtro de aire sucio no permitirá que la bomba compresora funcione correctamente a su capacidad plena. Antes de utilizar la bomba compresora, verifique el filtro de aire para asegurarse de que se encuentre limpio y en su sitio.

Si se encontrase sucio, sustitúyalo por un filtro nuevo.

1. Asegúrese de que el interruptor de START (encendido)/ RUN (en funcionamiento)/ OFF (apagado) (C) esté en la posición de OFF (apagado).
2. Deje que se enfríe la unidad.
3. Retire la tuerca de mariposa (P).
4. Retire la tapa de metal externa (Q).
5. Retire el elemento del filtro (R) desde de la base del filtro.
6. Si el elemento requiere limpieza, sople con aire. Reemplácelo si es necesario. Compre las piezas de repuesto en un comercio minorista o en un centro de mantenimiento autorizado. Utilice siempre piezas de repuesto idénticas.
7. Coloque el elemento nuevamente en la base del filtro.
8. Coloque la tapa de metal externa nuevamente sobre el elemento del filtro.
9. Fíjela con la tuerca de mariposa.



IMPORTANTE: No opere el compresor sin su filtro de aire.

CÓMO DRENAR EL TANQUE (referirse a la Fig. 3, página 83)

⚠ADVERTENCIA: Riesgo de operación insegura. Los tanques de aire contienen aire de alta presión. Mantenga la cara y otras partes del cuerpo lejos de la salida del drenaje. Utilice anteojos de seguridad [ANSI Z87.1 (CAN/CSA Z94.3)], ya que al drenar se pueden desprender residuos hacia la cara.

⚠ADVERTENCIA: Riesgo por ruidos. Utilice protección auditiva [ANSI S12.6(S3.19)], ya que el ruido del flujo de aire es alto durante el drenaje.

NOTA: Todos los sistemas de aire comprimido generan condensación que se acumula en cualquier punto de drenaje (por ejemplo, tanques, filtro, posenfriadores, secadores). Esta condensación contiene aceite lubricante y/o sustancias que pueden estar reguladas y que se deben desechar conforme a las leyes y reglamentaciones locales, estatales y federales.

1. Asegúrese de que el interruptor de START (encendido)/ RUN (en funcionamiento)/ OFF (apagado) (C) esté en la posición de OFF (apagado).
2. Deje purgar el aire lentamente del tanque de aire y del sistema de distribución de aire hasta que la presión del mismo llegue aproximadamente a 20 psi.
3. Drene el agua contenida en el tanque de aire abriendo la válvula de drenaje ubicada en la base del tanque.

⚠ADVERTENCIA: Riesgo de explosión. El agua se condensa dentro del tanque de aire. Si no se la drena, lo corroerá debilitando sus paredes, poniendo en riesgo la ruptura del tanque de aire.

AVISO: Riesgo de daño a la propiedad. Drene el agua del tanque de aire puede contener aceite y óxido, lo que puede provocar manchas.

4. Una vez drenar el agua, cierra la válvula de drenaje (en sentido horario).

NOTA: Si la válvula de drenaje fuera del tipo enchufe, elimine toda la presión de aire. La válvula podrá entonces ser extraída, limpiada y finalmente reinstalada.

Aceite de la bomba del compresor (referirse a la Fig. 4, página 87)

⚠ADVERTENCIA: Riesgo de quemaduras. Superficies calientes. El cabezal de la bomba y las piezas circundantes están muy calientes, no los toque (vea las Superficies calientes identificadas en la Fig. 2). Espere hasta que el compresor se enfríe antes de realizar el mantenimiento.

AVISO: Riesgo de daño a la propiedad. Sólo utilice aceite específico para compresores de aire. Los aceites para automóviles de diversos pesos como 10W30 no deben utilizarse para los compresores de aire. Dejan depósitos de carbono en componentes críticos, disminuyendo de esa forma el rendimiento y la vida útil del compresor life.

NOTA: Utilice aceite para compresores de aire de mezcla sintética sin detergentes.

NOTA: La capacidad de aceite del cárter del cigüeñal es de aproximadamente 53 onzas fluidas (1,57 litros).

Verificación

1. Asegúrese de que el interruptor de START (encendido)/ RUN (en funcionamiento)/ OFF (apagado) (C) esté en la posición de OFF (apagado).
2. El nivel de aceite deberá llegar a la mitad del visor de vidrio (S).
3. En caso de necesidad quite el tapón de llenado de aceite (I) y agregue lentamente aceite hasta alcanzar la mitad del visor de vidrio.

Cambio

⚠ADVERTENCIA: Riesgo de quemaduras. Superficies calientes. El cabezal de la bomba y las piezas circundantes están muy

calientes, no los toque (vea las Superficies calientes identificadas en la Fig. 2). Espere hasta que el compresor se enfríe antes de realizar el mantenimiento.

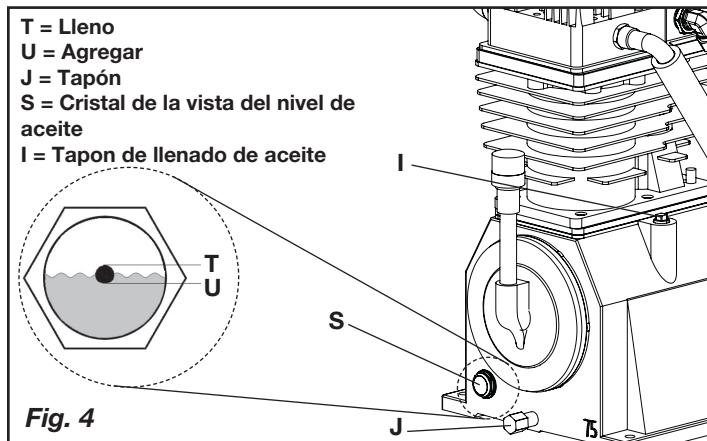
⚠ADVERTENCIA: Drene el tanque a fin de liberar la presión de aire antes de extraer la tapa para el relleno de aceite, o el tapón para drenaje del aceite.

1. Asegúrese de que el interruptor de START (encendido)/ RUN (en funcionamiento)/ OFF (apagado) (C) esté en la posición de OFF (apagado).
2. Espere que la unidad se enfríe.
3. Desconecte el cable de la bujía.
4. Drene el tanque de aire.
5. Extraiga el tapón del aceite (I).
6. Extraiga del tapón de drenaje del aceite (J) y drene el aceite en un recipiente adecuado.
7. Reponga el tapón de drenaje del aceite (J) y ajústelo firmemente.
8. Agregue aceite lentamente al compresor hasta que el nivel alcance la mitad del visor de vidrio (S). **NOTA:** Al llenar el cárter del cigüeñal, el aceite fluye muy lentamente dentro de la bomba. Si el aceite fuese agregado rápidamente rebalsará y aparentará haberse llenado.

AVISO: Riesgo de daño a la propiedad. Sobrepasar el nivel de aceite causará la falla prematura del compresor. No exceda su llenado.

9. Reponga el tapón del aceite (I) y ajústelo firmemente.
10. Vuelva a conectar el cable de la bujía.

NOTA: El aceite de la bomba contiene sustancias reguladas y se debe desechar conforme a las leyes y reglamentaciones locales, estatales y federales.

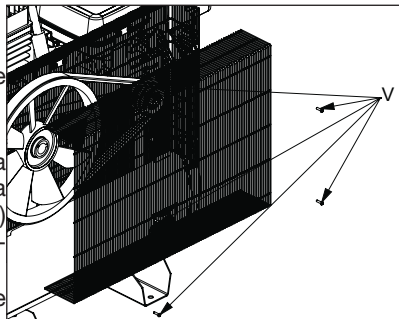


Correa - Reemplazo

⚠ADVERTENCIA: Para evitar lesiones personales, siempre apague el motor de gasolina y aliviar toda la presión de aire del sistema antes de realizar cualquier servicio en el aire compresor. No utilice la unidad si se le han retirado las cubiertas o el protector de la correa. Existe riesgo de lesión grave por contacto con partes móviles. Riesgo de quemaduras. Superficies calientes. El cabezal de la bomba y las piezas circundantes están muy calientes, no los toque (vea las Superficies calientes identificadas en la Fig. 2). Espere hasta que el compresor se enfríe antes de realizar el mantenimiento.

1. Asegúrese de que el interruptor de START (encendido)/ RUN (en funcionamiento)/ OFF (apagado) (C) esté en la posición de OFF (apagado).

2. Espere que la unidad se enfríe.
3. Desconecte el cable de la bujía.
4. Drene el tanque de aire.
5. Retire la parte delantera del protector de la correa retirando los tornillos (M) utilizando un destornillador Torx T25 poco.
6. Marque la posición de la bomba sobre el montante.
7. Afloje los tornillos montantes del motor y deslice éste hacia el compresor.
8. Retire la correa y reemplácela por una nueva.
9. Vea Regulación de la tensión de la correa antes de ajustar los tornillos montantes del motor.
10. Vuelva a conectar el cable de la bujía.

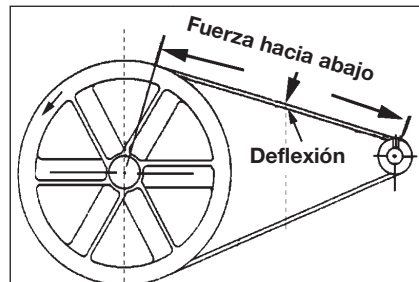


Regulación de la Tensión de la Correa

1. Asegúrese de que el interruptor de START (encendido)/ RUN (en funcionamiento)/ OFF (apagado) (C) esté en la posición de OFF (apagado).
2. Espere que la unidad se enfríe.
3. Desconecte el cable de la bujía.
4. Drene el tanque de aire.
5. Deslice el motor a su posición original; alinéelo con la marca efectuada antes sobre el montante.
6. Ajuste los dos tornillos exteriores del motor, lo suficiente para

sostener a éste en posición hasta verificar la alineación de la polea y el volante.

7. La correa debe flexionarse 4,8 mm (3/16 pulg.) en el punto medio de la distancia entre la polea y el volante cuando en ese punto se aplique una fuerza de 4,6 Kg (10 libra).
8. Una vez lograda la tensión adecuada, ajuste los cuatro tornillos montantes. Torsión a 20,3–29,8 Nm (15-22 ft.-lbs.).
9. Vuelva a conectar el cable de la bujía.



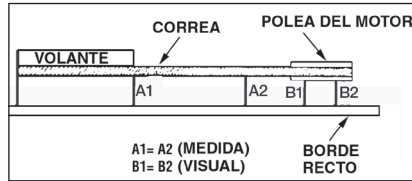
Polea y volante – Alineación

NOTA: Una vez que la polea del motor ha sido movida, punto de su instalación original de fábrica, las ranuras del volante y la polea deben alinearse dentro un rango de variación de 1,6 mm (1/16 pulg.), para prevenir un excesivo desgaste de la correa.

El volante del compresor de aire y la polea del motor deben estar en línea (en el mismo plano) dentro de una variación de 1,6 mm (1/16 pulg.), para asegurar la retención de la correa dentro de las ranuras del volante. Para verificar la alineación ejecute los siguientes pasos:

1. Asegúrese de que el interruptor de START (encendido)/ RUN (en funcionamiento)/ OFF (apagado) (C) esté en la posición de OFF (apagado).
2. Espere que la unidad se enfríe.
3. Desconecte el cable de la bujía.

4. Drene el tanque de aire.
5. Retire la protección de la correa.



6. Coloque una regla contra el lado exterior del volante y la polea de empuje del motor.
7. Mida la distancia entre el borde de la correa y la regla, en el punto A1-A2 de la figura. La diferencia entre las mediciones no debe ser mayor que 1,6 mm (1/16 pulg.).
8. Si la diferencia es mayor que 1,6 mm (1/16 pulg.), afloje el tornillo de fijación que sostiene la polea propulsora del motor al eje y regule la posición de la polea en el eje hasta que las medidas A1 y A2 se encuentren a 1,6 mm (1/16 pulg.) entre sí.
9. Ajuste los tornillos de fijación de la polea del motor.
10. Verifique visualmente que la polea de empuje del motor esté perpendicular al eje del mismo. Los puntos B1 y B2 de la figura deben parecer iguales. Si así no fuera, afloje el juego de tornillos de fijación de la polea de empuje del motor e iguale B1 y B2, teniendo cuidado de no alterar la alineación de la correa ejecutada en el paso 2.
11. Reajuste los tornillos de fijación de la polea de empuje del motor. Torsión a 16,4–20,3 Nm (145–180 in.-lbs.).
12. Reinstale la defensa de la correa.
13. Vuelva a conectar el cable de la bujía.

Válvulas de entrada y salida de la bomba del compresor de aire

Una vez al año haga que un técnico capacitado de servicio inspeccione las válvulas de entrada y salida de la bomba del compresor de aire.

Inspección de las cañerías de aire y las conexiones para detectar fugas

1. Asegúrese de que el interruptor de START (encendido)/ RUN (en funcionamiento)/ OFF (apagado) (C) esté en la posición de OFF (apagado).
2. Espere que la unidad se enfríe.
3. Desconecte el cable de la bujía.
4. Aplique una solución jabonosa a todos los acoplamientos de aire y las conexiones / cañerías.
5. Corrija cualquier pérdida encontrada.
6. Vuelva a conectar el cable de la bujía.

IMPORTANTE: Incluso pérdidas menores, pueden causar una carga adicional de trabajo al compresor, dando como resultado su rotura prematura o una desempeño inadecuada.

Tornillos del cabezal del compresor de aire. - Torque

Los tornillos del cabezal del compresor de aire deben mantenerse debidamente ajustados. Verifique el torque de los tornillos del cabezal luego de las primeras cinco horas de operación. Reajústelos si fuese necesario. Torsión a 43,4-50,2 Nm (32-37 ft.-lbs.).

Servicio y ajustes

SERVICIO Y AJUSTETODO TIPO DE MANTENIMIENTO Y REPARACIONES NO MENCIONADOS EN ESTE MANUAL, DEBERÁN SER EFECTUADOS POR PERSONAL TÉCNICO ESPECIALIZADO.

⚠️ ADVERTENCIA: Para evitar lesiones personales, siempre apague el motor de gasolina y aliviar toda la presión de aire del sistema antes de realizar cualquier servicio en el aire compresor. No utilice la unidad si se le han retirado las cubiertas o el protec-

tor de la correa. Existe riesgo de lesión grave por contacto con partes móviles. Riesgo de quemaduras. Superficies calientes. El cabezal de la bomba y las piezas circundantes están muy calientes, no los toque (vea las Superficies calientes identificadas en la Fig. 2). Espere hasta que el compresor se enfríe antes de realizar el mantenimiento.

Para reemplazar o limpiar la válvula de retención

1. Asegúrese de que el interruptor de START (encendido)/ RUN (en funcionamiento)/ OFF (apagado) (C) esté en la posición de OFF (apagado).
2. Espere que la unidad se enfríe.
3. Desconecte el cable de la bujía.
4. Libere toda la presión del tanque de aire. Vea **Cómo Drenar el Tanque** en la sección **Mantenimiento**.
5. Utilizando una llave regulable, afloje la tuerca del tubo de salida del tanque de aire y la bomba. Retire cuidadosamente la tubería de salida de la válvula de retención.
6. Utilizando una llave regulable, afloje la tuerca del tubo aliviador de presión en el tanque de aire. Retire cuidadosamente la tubería de alivio de presión de la válvula de retención.
7. Desenrosque la válvula de retención girándola hacia la izquierda usando una llave de boca de 7/8 pulg. **TOME NOTA** de la orientación para volverla a ensamblar.
8. Usando un destornillador, empuje con cuidado el disco de la válvula



hacia arriba y hacia abajo. **NOTA:** El disco de la válvula debe moverse libremente hacia arriba y hacia abajo sobre un resorte que detiene el disco de la válvula en la posición cerrada. Si no lo hace, la válvula de retención necesita ser limpiada o reemplazada.

9. Limpie o reemplace la válvula de retención. Un solvente, tal como un removedor de pintura o de barniz puede usarse para limpiar la válvula de retención.
10. Aplique sellador a las roscas de la válvula de retención. Vuelva a instalar la válvula de retención (gire a la derecha).
11. Vuelva a instalar la tubería de alivio de presión. Ajuste las tuercas.
12. Vuelva a instalar la tubería de salida y ajuste las tuercas.
13. Vuelva a conectar el cable de la bujía.
14. Ejecute el procedimiento de puesta en marcha. Vea **Procedimiento de Puesta en Marcha** en la sección **Operación**.

Service d'entretien additionnel

Le démontage ou un entretien du compresseur d'air au-delà de ce qui est indiqué dans ce guide ne sont pas recommandés. Si un entretien plus poussé est requis, communiquez avec le Centre de service sous garantie autorisé le plus proche.

ACCESORIOS

Los accesorios que se recomiendan para la herramienta están disponibles para la compra en su distribuidor local o en el centro de mantenimiento autorizado. Si necesita ayuda para localizar algún accesorio para su herramienta, comuníquese llame al 1-888-895-4549 o visite nuestro sitio Web www.dewalt.com.

⚠ADVERTENCIA: El uso de accesorios no recomendados para utilizar con esta herramienta puede resultar peligroso. Use solamente accesorios con una capacidad nominal igual o

superior a la de la compresor de aire.

Información del servicio técnico

Tenga a mano la siguiente información cuando llame al mantenimiento:

Número del modelo _____ Número de serie _____

Fecha y lugar de compra _____

Reparaciones

Para garantizar la SEGURIDAD y la CONFIABILIDAD, deberán hacerse reparaciones, mantenimiento y ajustes de esta herramienta en los centros autorizados de servicio DEWALT u otras organizaciones autorizadas. Estas organizaciones prestan servicio a las herramientas DEWALT y emplean siempre refacciones legítimas DEWALT.

Garantía limitada

Las herramientas de **DEWALT Industrial Tools** cuentan con garantía desde la fecha de compra.

Garantía limitada de **2 AÑOS** en todos los compresores con lubricación de aceite

Garantía limitada de **1 AÑO** en todos los compresores sin aceite. Esta garantía no es transferible a los propietarios posteriores.

DEWALT reparará o cambiará, sin cargo, a discreción de DEWALT, cualquier defecto debido a material o mano de obra defectuosa. Para mayores detalles sobre la cobertura de garantía e información sobre reparaciones bajo garantía, llame al 1-(888)-895 4549 o visite dewalt.com. Esta garantía no es aplicable a accesorios o daños provocados por reparaciones realizadas o intentadas por terceros. Esta garantía tampoco aplica a mercancía vendida por DEWALT que ha sido fabricada por e identificada como el producto de otra compañía, como los motores a gasolina. En el caso, aplicará la garantía del fabricante, si existe.

CUALQUIER PÉRDIDA, DAÑO O GASTO QUE RESULTE

INCIDENTAL O INDIRECTAMENTE, O COMO CONSECUENCIA DE ALGÚN DEFECTO, ALGUNA FALLA O AVERÍA DEL PRODUCTO NO ESTÁ CUBIERTO POR ESTA GARANTÍA.

Algunos estados no permiten la exclusión de un límite por daños incidentales o derivados, por lo que el límite o la exclusión anterior puede no aplicar a su caso. **LAS GARANTÍAS IMPLÍCITAS, INCLUYENDO AQUELLAS DE COMERCIABILIDAD O ACONDICIONAMIENTO PARA UN FIN DETERMINADO, ESTÁN LIMITADAS A UN AÑO A CONTAR DE LA FECHA DE COMPRA ORIGINAL.** Algunos estados no permiten límites sobre el plazo de duración de una garantía implícita, por lo que el límite anterior puede no aplicar a su caso. Esta garantía le otorga derechos específicos, además de los cuales puede tener otros dependiendo del estado o provincia en que se encuentre.

Qué hará la compañía: (la compañía) cubrirá piezas y mano de obra para corregir defectos importantes en los materiales y en la fabricación durante el primer año de propiedad, con las excepciones que se indican más adelante. Las piezas que se utilizan en la reparación de productos completos o accesorios están garantizadas por el resto del periodo de garantía original.

¿Qué no cubre esta garantía? Si el comprador al menudeo original no instala, mantiene y opera dicho equipo de acuerdo con las prácticas industriales estándar. Las modificaciones al producto o alteraciones a los componentes, o el incumplimiento con las recomendaciones específicas de la Compañía que se establecen en el manual del propietario, anularán esta garantía. La Compañía no será responsable de reparaciones, reemplazos o ajustes al equipo, ni de costos de mano de obra realizada por el comprador sin la aprobación previa por escrito de la Compañía. Los efectos de la corrosión, erosión, condiciones ambientales circundantes, defectos cosméticos y elementos de mantenimiento de rutina, se excluyen específicamente de esta garantía. Los elementos de mantenimiento de rutina, como aceite, lubricantes y filtros de aire,

así como los cambios de aceite, filtros de aire, tensión de bandas, etc., son responsabilidad del propietario. Otras exclusiones incluyen: daños durante el flete, fallas originadas por negligencia, accidente o abuso, motores de inducción cuando es operado desde un generador, filtraciones de aceite, fugas de aire, consumo de aceite, acoples con fugas, mangueras, grifos, tubos de purga y tubos de transferencia.

- Los siguientes componentes se consideran artículos de desgaste por el uso normal y no están cubiertos después del primer año de posesión: Correas, roldanas, volantes, válvulas de retención, interruptores de presión, descargadores neumáticos, controles de aceleración, motores eléctricos, escobillas, reguladores, anillos en O, manómetros, tubos, tuberías, acoplamientos, sujetadores, ruedas, acopladores rápidos, empaquetaduras, sellos, carcasas de filtro de aire, anillos de pistón, varillas de conexión y sellos de pistón.
- Los costos de mano de obra, llamadas de servicio y viajes, no están cubiertos después del primer año de propiedad de los compresores estacionarios (compresores sin asas o ruedas). No están cubiertas las reparaciones que requieren horas extraordinarias, tarifas de fin de semana o cualquier otro costo que supere las tarifas por mano de obra estándar del taller.
- Tiempo requerido para la capacitación de orientación con el fin de que el centro de servicio obtenga acceso al producto, o tiempo adicional debido a un egreso inadecuado.
- El daño causado por voltaje incorrecto, cableado inapropiado o el hecho de no hacer que un electricista certificado con licencia instale el compresor, causará la anulación e invalidación de esta garantía.

- Daño causado por un mantenimiento inadecuado del filtro.
- Desgaste de la bomba o daño en la válvula causado por el uso de aceite no especificado.
- Desgaste de la bomba o daño causado por cualquier contaminación del aceite.
- Desgaste de la bomba o daño en la válvula causado por el hecho de no seguir las directrices de mantenimiento apropiadas.
- Utilización con un nivel de aceite por debajo del apropiado o utilización sin aceite.
- Para motores a gas, si el producto está equipado con un motor a gas, consulte en el manual la cobertura de garantía del fabricante para el motor específico. Piezas que se compran por separado: las garantías de las piezas que se compran por separado, como bombas, motores, etc., son las siguientes:

A partir de la fecha de compra

- | | |
|---|---------|
| • Todas las bombas de una y dos etapas | 1 año |
| • Motores eléctricos | 90 días |
| • Bomba/motor universal | 30 días |
| • Todas las otras piezas | 30 días |
| • No se expedirá una autorización de devolución para los componentes eléctricos una vez que estén instalados. | |

¿Cómo puede obtener servicio? Con el fin de ser elegible para el servicio bajo esta garantía debe ser el comprador original, y proporcionar comprobante de compra de uno de los distribuidores de la empresa, distribuidores, o las tiendas minoristas de salida. Compresores de aire portátiles o componentes deben ser entregados o enviados, al Centro de Servicio Autorizado más cercano. Todos los costos de flete y los gastos asociados a viajes

deben ser pagados por el consumidor. Por favor llame a nuestro número gratuito 1-888-895-4549 para obtener ayuda.

ESTA GARANTÍA LE OTORGA DERECHOS LEGALES ESPECÍFICOS, Y ES POSIBLE QUE TAMBIÉN TENGA OTROS DERECHOS QUE VARIÁN DE UN ESTADO A OTRO.

LA COMPAÑÍA NO HACE REPRESENTACIÓN O GARANTÍA ALGUNA, YA SEA EXPRESA O IMPLÍCITA, A EXCEPCIÓN DE LA DEL TÍTULO DE PROPIEDAD. POR LA PRESENTE, LA COMPAÑÍA NO ASUME NINGUNA GARANTÍA IMPLÍCITA, INCLUIDAS LAS GARANTÍAS DE COMERCIABILIDAD Y DE IDONEIDAD PARA UN PROPÓSITO ESPECÍFICO. SE EXCLUYE TODA RESPONSABILIDAD POR DAÑOS Y PERJUICIOS EMERGENTES O INCIDENTALES EN VIRTUD DE CUALQUIER OTRA GARANTÍA, OTROS CONTRATOS, NEGLIGENCIA U OTROS ACTOS DE AGRAVIO EN LA MEDIDA EN QUE LA LEY LO

PERMITA.
REEMPLAZO GRATUITO DE LAS ETIQUETAS DE ADVERTENCIA: Si sus etiquetas de advertencia se tornan ilegibles o faltan, llame al 1-(888)-895-4549 para que se le reemplacen gratuitamente.

| | | |
|---|---|---|
| <p>WARNING Before starting read and understand operator manual for safe operation and maintenance. For replacement manual write to Compressor Service, 118 West Rock Street, Springfield, MA 01107.</p> <p>Risk of fire or explosion. Gasoline vapor is highly flammable. Refuel outdoors. DO NOT spray. Refuelable liquid in confined area or towards a hot surface. Flammable area must be well-ventilated. DO NOT smoke while spraying or spray where spark or flame is present. Always park. Always compressor at least 20 feet away from explosive vapors, such as when spraying with a spray gun.</p> <p>Risk of bursting. Do not adjust regulator to a higher pressure greater than marked maximum pressure of attachment. Always without a regulator use air handling rated at minimum 135 PSI (1 bar) or 200 PSI (14 bar).</p> <p>Wear. RUST WEAKENS TANK. may cause explosion and events or fatal injury/property damage. Drain condensed water from tank after each use to reduce rusting.</p> <p>Risk of carbon monoxide poisoning. Engine produces deadly exhaust. DO NOT use compressor in enclosed area.</p> <p>Risk of injury. DO NOT direct air stream at body. DO NOT operate with suspended guards removed. Disconnect sparking and drain all air pressure from tank before servicing and after each use.</p> <p>DO NOT use compressed air for breathing. Wear eye protection.</p> <p>VALVE TO START RUNNING</p> <p>CHECK OIL LEVEL on compressor before each use and if necessary.</p> | <p>AVERTISSEMENT Avant de commencer, lisez et comprenez le manuel d'opération et de maintenance. Pour le manuel de remplacement, écrivez le Compressor Service, 118 West Rock Street, Springfield, MA 01107.</p> <p>RISQUE D'INCENDIE Les vapeurs de carburant sont hautement inflammables. Remplissez le réservoir de carburant à l'extérieur, loin d'une étincelle ou d'une flamme. N'utilisez pas de pulvérisateur dans une zone confinée ou vers une surface chaude. Les zones inflammables doivent être bien ventilées. N'utilisez pas de tabac pendant l'utilisation de pulvérisateurs ou de produits chimiques. Ne fumez pas pendant que vous êtes en train de pulvériser. Ne fumez pas dans une zone où il y a des vapeurs inflammables, comme lors de la pulvérisation ou du nettoyage.</p> <p>Risques d'explosion par impact de carbone. Le moteur produit des gaz d'échappement mortels. N'utilisez pas le compresseur dans une zone confinée.</p> <p>RISQUE DE BURSTING. Ne pas régler le régulateur de pression de sorte à une pression supérieure à la pression marquée. Toujours sans régulateur, utilisez des équipements conçus pour une pression maximale de 135 PSI (1 bar) ou 200 PSI (14 bar).</p> <p>Usure. RISQUE DE RUSTURE. Ne pas régler le régulateur de pression de sorte à une pression supérieure à la pression marquée. Ne fumez pas pendant que vous êtes en train de pulvériser. Ne fumez pas dans une zone où il y a des vapeurs inflammables, comme lors de la pulvérisation ou du nettoyage.</p> <p>Risques d'intoxication par le monoxyde de carbone. Le moteur produit des gaz d'échappement mortels. N'utilisez pas le compresseur dans une zone confinée.</p> <p>VALVE DE DÉMARRAGE</p> <p>AVERTISSEMENT</p> <p>AVERTISSEMENT Avant de commencer, lisez et comprenez le manuel d'opération et de maintenance. Pour le manuel de remplacement, écrivez le Compressor Service, 118 West Rock Street, Springfield, MA 01107.</p> <p>RISQUE D'INCENDIE Les vapeurs de carburant sont hautement inflammables. Remplissez le réservoir de carburant à l'extérieur, loin d'une étincelle ou d'une flamme. N'utilisez pas de pulvérisateur dans une zone confinée ou vers une surface chaude. Les zones inflammables doivent être bien ventilées. N'utilisez pas de tabac pendant l'utilisation de pulvérisateurs ou de produits chimiques. Ne fumez pas pendant que vous êtes en train de pulvériser. Ne fumez pas dans une zone où il y a des vapeurs inflammables, comme lors de la pulvérisation ou du nettoyage.</p> <p>Risques d'explosion par impact de carbone. Le moteur produit des gaz d'échappement mortels. N'utilisez pas le compresseur dans une zone confinée.</p> <p>RISQUE DE BURSTING. Ne pas régler le régulateur de pression de sorte à une pression supérieure à la pression marquée. Toujours sans régulateur, utilisez des équipements conçus pour une pression maximale de 135 PSI (1 bar) ou 200 PSI (14 bar).</p> <p>Usure. RISQUE DE RUSTURE. Ne pas régler le régulateur de pression de sorte à une pression supérieure à la pression marquée. Ne fumez pas pendant que vous êtes en train de pulvériser. Ne fumez pas dans une zone où il y a des vapeurs inflammables, comme lors de la pulvérisation ou du nettoyage.</p> <p>Risques d'intoxication par le monoxyde de carbone. Le moteur produit des gaz d'échappement mortels. N'utilisez pas le compresseur dans une zone confinée.</p> <p>VALVE DE DÉMARRAGE</p> <p>AVERTISSEMENT</p> | <p>CAUTION ATTENTION</p> <p>To provide proper cooling, the compressor must be kept a minimum of 12" (3 inches) from the nearest wall or obstruction.</p> <p> Afin d'assurer un refroidissement adéquat, le compresseur doit être placé à au moins 30 cm de tout mur ou obstacle.</p> <p>Para que la compresora tenga el enfriamiento apropiado, debe mantenerse a una distancia mínima de 30 cm de la pared u obstrucción más cercana.</p> |
| <p>WARNINGS ADVERTENCIA</p> <p>DO NOT SURFACES to reduce the risk of surface rust.</p> <p>NE PAS LACHER les surfaces métalliques exposées.</p> | <p>OPERATE IN A CLEAN, DRY AND WELL VENTILATED AREA. Do not operate the compressor in an area with an active fire or other source of heat.</p> <p>FABRICATION EN UN ENDROIT LIMPIO, SECO Y BIEN VENTILADO. No opere el compresor en un área con un incendio activo u otra fuente de calor.</p> | <p>EVACUATION D'EAU</p> <p>OPÉRIE EN UN ENDROIT LIMPIO, SECO Y BIEN VENTILADO.</p> <p>NE PAS LACHER les surfaces métalliques exposées.</p> |

| | | |
|--|---|--|
| <p>AVERTISSEMENT</p> <p>RISQUE DE BURSTING</p> <p>Prévenir la conception de l'air comprimé en direction des personnes.</p> <p>Prevent tank contents from being discharged on people.</p> | <p>WARNING</p> <p>RISK OF BURSTING</p> <p>Prevent tank contents from being discharged on people.</p> <p>PREVENTURE D'ÊTRE FRAPPÉ PAR LE CONTENU DU RÉSERVOIR EN CAS D'UNE DÉCHARGE.</p> | <p>ADVERTENCIA</p> <p>RISQUE DE ERROSION</p> <p>Prevenir la conexión de los contenidos del tanque hacia las personas.</p> <p>Prevent the contents of the tank from being discharged on people.</p> |
|--|---|--|

Guía de detección de problemas

Esta sección proporciona una lista de las fallas que se presentan con mayor frecuencia, sus causas y las medidas correctivas correspondientes. El operador o el personal de mantenimiento pueden llevar a cabo algunas de estas acciones correctivas, pero es posible que otras necesiten la asistencia de un técnico DEWALT calificado o de su distribuidor.

| | |
|--|-------------------------------|
| Presión excesiva en el tanque de aire: la válvula de seguridad salta | 1 |
| Pérdidas de aire | 2 |
| Pérdida constante de aire en la válvula de descarga. | 3 |
| Pérdidas de aire en el tanque de aire o en las soldaduras del tanque de aire | 4 |
| Pérdidas de aire entre el cabezal y la placa de la válvula | 5 |
| Pérdidas de aire de la válvula de seguridad | 6 |
| El compresor no suministra suficiente aire para operar los accesorios | 2, 7, 8, 9, 10, 12, 13 |
| Entrada restringida de aire. | 12 |
| Vibración excesiva..... | 14, 15 |
| Ruido de golpeteo | 13, 14, 15, 16, 17, 18, 19 |
| Desgaste excesivo de la correa | 13, 14, 16, 19, 20 |
| Sonidos agudos..... | 13 |
| El motor no funciona | 22, 24, 30 |
| Humedad en la carcasa de la bomba | 5, 11, 23, 24, 25, 26, 27, 28 |
| La bomba no funciona | 29 |
| No se acumula presión en el tanque de aire..... | 29 |

Códigos de detección de problemas

| CÓDIGO | CAUSA POSIBLE | SOLUCIÓN POSIBLE |
|--------|---|---|
| 1 | La válvula de descarga no libera presión cuando el tanque de aire alcanza la presión de alivio | Se debe reemplazar la válvula de descarga. Comuníquese con un centro de servicio de fábrica DEWALT o con un centro de servicio autorizado DEWALT. |
| 2 | Las conexiones no están ajustadas | Ajuste las conexiones en los lugares donde sienta escapes de aire. Controle las conexiones con una solución de agua jabonosa. NO AJUSTE DEMASIADO. |

| CÓDIGO | CAUSA POSIBLE | SOLUCIÓN POSIBLE |
|--------|--|--|
| 3 | Válvula de descarga defectuosa | Apague el motor, gire la palanca de descarga de bloqueo manual a la posición perpendicular de cerrada. Si hay pérdida de aire del tanque de aire a través de la válvula de descarga, reemplácela. |
| 4 | Tanque de aire defectuoso. | Se debe reemplazar el tanque de aire. No repare la pérdida. ⚠ADVERTENCIA: Riesgo de explosión. No perfore, suelde ni modifique el tanque de aire o el mismo se debilitará. El tanque de aire se puede romper o explotar. |
| 5 | Sellos de pérdidas | Comuníquese con un centro de servicio de fábrica DEWALT o con un centro de servicio autorizado DEWALT. |
| 6 | Válvula de seguridad defectuosa | Opere la válvula de seguridad manualmente tirando del anillo. Si la válvula aún pierde, debe ser reemplazada. |
| 7 | Uso excesivo y prolongado de aire | Disminuya el uso de aire. |
| 8 | El compresor no es lo suficientemente grande para el accesorio | Controle los requisitos de aire del accesorio. Si es mayor que el flujo de aire o la presión provista por su compresor de aire, necesita un compresor más grande para operar el accesorio. |
| 9 | Agujero en la manguera de aire | Controle y reemplace la manguera de aire de ser necesario. |
| 10 | Válvula de descarga restringida | Retire, limpie o reemplace. |
| 11 | La unidad funciona en lugares húmedos o mojados | Traslade la unidad a un área seca y bien ventilada |
| 12 | Filtro de entrada de aire restringido | Limpie o reemplace el filtro de entrada de aire |
| 13 | Correa floja | Controle la tensión de la correa, consulte Ajustar la tensión de la correa en la sección Mantenimiento . |
| 14 | Las tuercas de montaje del motor están flojas | Aplice una torsión de 20,3 a 29,8 Nm (15 a 22 libras-pies) a las tuercas de montaje del motor. ⚠ADVERTENCIA: Riesgo de explosión. La vibración excesiva puede debilitar el tanque de aire y provocar rotura o explosión. Los tornillos de montaje se deben mantener ajustados. |

| CÓDIGO | CAUSA POSIBLE | SOLUCIÓN POSIBLE |
|--------|--|---|
| 15 | La barra tensora de la bomba está floja | Controle el perno y ajuste de ser necesario. Aplique una torsión de 20,3 a 29,8 Nm (15 a 22 libras-pies) al perno de soporte de la barra tensora de la bomba. ⚠️ ADVERTENCIA: Riesgo de explosión. La vibración excesiva puede debilitar el tanque de aire y provocar rotura o explosión. El perno de soporte de la barra tensora de la bomba se debe mantener ajustado. Nunca opere la unidad salvo que esté equipada con el soporte de la barra tensora. |
| 16 | Polea suelta | Ajuste el tornillo de fijación de la polea, aplique una torsión entre 16,4–20,3 Nm (145 y 180 libras-pulgadas). |
| 17 | Volante suelto | Ajuste el tornillo del volante, aplique una torsión entre 20,3 a 24,4 Nm (15 y 18 libras-pie). |
| 18 | Acumulación de carbono en la bomba | Comuníquese con un centro de servicio de fábrica DEWALT o con un centro de servicio autorizado DEWALT. |
| 19 | Ajustar la correa | Controle la tensión de la correa, consulte Ajustar la tensión de la correa en la sección Mantenimiento . |
| 20 | Mala alineación de la polea | Consulte Alineación de la polea y el volante en la sección Mantenimiento . |
| 21 | Problema del motor | Comuníquese con un centro de servicio de fábrica DEWALT o con un centro de servicio autorizado DEWALT. |
| 22 | El nivel de aceite del motor o de la bomba es bajo | Agregue aceite sintético DEWALT para compresores a la bomba. Consulte Aceite de la bomba del compresor en la sección Mantenimiento . |
| 23 | Aceite tipo detergente utilizado en la bomba | Drene el aceite y vuelva a llenar la bomba con completamente sintético para compresores de aire aceite sin detergente. |
| 24 | Ciclos de trabajo extremadamente livianos. | Haga funcionar la unidad en ciclos de trabajo más largos. Se recomienda hacerla funcionar a alta velocidad entre el 50 y el 75% del tiempo de funcionamiento y operarla en marcha en espera el 25% del tiempo de funcionamiento |
| 25 | Anillos de pistón dañados o gastados | Comuníquese con un centro de servicio de fábrica DEWALT o con un centro de servicio autorizado DEWALT. |

| CÓDIGO | CAUSA POSIBLE | SOLUCIÓN POSIBLE |
|---------------|--|--|
| 26 | Cilindro o pistón dañados o gastados | Comuníquese con un centro de servicio de fábrica DEWALT o con un centro de servicio autorizado DEWALT. |
| 27 | Terminación del cilindro del compresor gastada | Comuníquese con un centro de servicio de fábrica DEWALT o con un centro de servicio autorizado DEWALT. |
| 28 | Agua en el aceite de la bomba | Drene el aceite y vuelva a llenar la bomba con completamente sintético para compresores de aire aceite sin detergente. |
| 29 | Palanca de descarga de bloqueo manual en la posición de abierta | Gire la palanca de descarga de bloqueo manual a la posición perpendicular de cerrada . |
| 30 | Tanque de combustible del motor vacío | Agregue gasolina, consulte el procedimiento correcto en el manual de instrucciones del motor. |

Glosario

CFM: pies cúbicos por minuto.

SCFM: pies cúbicos estándar por minuto; unidad de medida de suministro de aire.

PSI: libras por pulgada cuadrada relativo a la presión atmosférica; unidad de medida de presión.

Certificación de código: Los productos que tienen una o más de las indicaciones siguientes: UL[®], CUL, ETL[®], CETL, han sido evaluados por los laboratorios de seguridad independientes certificados de OSHA y cumplen los estándares de seguridad de cuya aplicación corresponda.

**UL[®] es una marca registrada de Underwriters Laboratories y ETL[®] es una marca registrada de Electrical Testing Laboratories.*

Código de California: la unidad puede cumplir con las secciones (I) (2)/(M) (2) del Código 462 de California. La etiqueta de especificaciones/modelo se encuentra en el costado del tanque de aire en las unidades que cumplen con el Código de California.

Presión de alivio de descarga: todos los modelos son unidades de funcionamiento continuo controladas por presión del tanque de aire. Cuando se obtenga la presión máxima del tanque de aire, la válvula de descarga se activará. Esto provocará que el compresor descargue el aire a la atmósfera y no al tanque. Esto disminuye la carga sobre el motor y permite que funcione prácticamente sin carga.

Presión de reajuste de descarga: cuando la presión del tanque de aire baja a un punto predeterminado, la válvula de descarga se cierra. La presión del tanque de aire se incrementará ahora hasta que alcance la presión de alivio de descarga.



***For product, service or warranty information contact us at:
Para el producto, servicio o información sobre la garantía contacte con nosotros en:
Pour les produits, services ou informations sur la garantie nous contacter à:***

1-888-895-4549

www.DEWALT.com

MAT Industries, LLC, Long Grove, IL 60047

Under license from DEWALT Industrial Tool Co.

Bojo licencia de DEWALT Industrial Tool Co.

Sous licence de DEWALT Industrial Tool Co.

The following are trademarks for one or more DEWALT power tools: the yellow and black color scheme; the “D” shaped air intake grill; the array of pyramids on the handgrip; the kit box configuration; and the array of lozenge shape humps on the surface of the tool.

Las siguientes son características únicas de una o más herramientas eléctricas y accesorios de DEWALT: El esquema de color amarillo y negro, la parrilla de admisión de aire en “D”, la formación de pirámides en el mango, la configuración de la caja de herramientas y la formación de rombos en la superficie de la herramienta.

Vous trouverez ci-après les marques de commerce d'un ou plusieurs outils électriques et accessoires DEWALT. L'agencement de couleurs jaune et noir, la grille d'admission d'air en forme de “D”, la distribution de pyramides sur la poignée, le format du boîtier et la matrice complexe de bosses en forme de losanges sur la surface de l'outil.