

PORTER CABLE®

3.0 Amp Oscillating Multi-Tool

Outil oscillant polyvalent de 3,0 A

Multiherramienta oscilante de 3,0 Amperios



COMPATIBLE WITH:
CONI / AVEC

DEWALT®

**UNIVERSAL
FITMENT™**

Instruction manual

Manuel d'instructions

Manual de instrucciones

www.portercable.com

Thank you for choosing PORTER-CABLE! To register your new product, go to:
www.portercable.com/ServiceAndSupport/ProductRegistration.aspx

INSTRUCTIVO DE OPERACIÓN, CENTROS DE SERVICIO Y
PÓLIZA DE GARANTÍA.

⚠ **ADVERTENCIA:** LÉASE ESTE INSTRUCTIVO
ANTES DE USAR EL PRODUCTO.

CATALOG NUMBER

PCE605

PCE606

SAFETY GUIDELINES - DEFINITIONS

It is important for you to read and understand this manual. The information it contains relates to protecting **YOUR SAFETY and PREVENTING PROBLEMS**. The symbols below are used to help you recognize this information.

⚠ DANGER: Indicates an imminently hazardous situation which, if not avoided, will result in death or serious injury.

⚠ WARNING: Indicates a potentially hazardous situation which, if not avoided, could result in death or serious injury.

⚠ CAUTION: Indicates a potentially hazardous situation which, if not avoided, may result in minor or moderate injury.

NOTICE: Used without the safety alert symbol indicates potentially hazardous situation which, if not avoided, may result in property damage.

GENERAL SAFETY RULES

⚠ WARNING: Read all safety warnings and all instructions. Failure to follow the warnings and instructions may result in electric shock, fire and/or serious injury.

SAVE ALL WARNINGS AND INSTRUCTIONS FOR FUTURE REFERENCE

The term "power tool" in the warnings refers to your mains-operated (corded) power tool or battery-operated (cordless) power tool.

SAVE THESE INSTRUCTIONS

1) WORK AREA SAFETY

- Keep work area clean and well lit.** Cluttered or dark areas invite accidents.
- Do not operate power tools in explosive atmospheres, such as in the presence of flammable liquids, gases or dust.** Power tools create sparks which may ignite the dust or fumes.
- Keep children and bystanders away while operating a power tool.** Distractions can cause you to lose control.

2) ELECTRICAL SAFETY

- Power tool plugs must match the outlet. Never modify the plug in any way. Do not use any adapter plugs with earthed (grounded) power tools.** Unmodified plugs and matching outlets will reduce risk of electric shock.
- Avoid body contact with earthed or grounded surfaces such as pipes, radiators, ranges and refrigerators.** There is an increased risk of electric shock if your body is earthed or grounded.
- Do not expose power tools to rain or wet conditions.** Water entering a power tool will increase the risk of electric shock.
- Do not abuse the cord. Never use the cord for carrying, pulling or unplugging the power tool. Keep cord away from heat, oil, sharp edges or moving parts.** Damaged or entangled cords increase the risk of electric shock.
- When operating a power tool outdoors, use an extension cord suitable for outdoor use.** Use of a cord suitable for outdoor use reduces the risk of electric shock.
- If operating a power tool in a damp location is unavoidable, use a ground fault circuit interrupter (GFCI) protected supply.** Use of a GFCI reduces the risk of electric shock.

3) PERSONAL SAFETY

- Stay alert, watch what you are doing and use common sense when operating a power tool. Do not use a power tool while you are tired or under the influence of drugs, alcohol or medication.** A moment of inattention while operating power tools may result in serious personal injury.
- Use personal protective equipment. Always wear eye protection.** Protective equipment such as dust mask, nonskid safety shoes, hard hat, or hearing protection used for appropriate conditions will reduce personal injuries.
- Prevent unintentional starting. Ensure the switch is in the off position before connecting to power source and/ or battery pack, picking up or carrying the tool.** Carrying power tools with your finger on the switch or energizing power tools that have the switch on invites accidents.
- Remove any adjusting key or wrench before turning the power tool on.** A wrench or a key left attached to a rotating part of the power tool may result in personal injury.

- e) **Do not overreach. Keep proper footing and balance at all times.** *This enables better control of the power tool in unexpected situations.*
 - f) **Dress properly. Do not wear loose clothing or jewelry. Keep your hair, clothing and gloves away from moving parts.** *Loose clothes, jewelry or long hair can be caught in moving parts.*
 - g) **If devices are provided for the connection of dust extraction and collection facilities, ensure these are connected and properly used.** *Use of dust collection can reduce dust-related hazards.*
- 4) POWER TOOL USE AND CARE**
- a) **Do not force the power tool. Use the correct power tool for your application.** *The correct power tool will do the job better and safer at the rate for which it was designed.*
 - b) **Do not use the power tool if the switch does not turn it on and off.** *Any power tool that cannot be controlled with the switch is dangerous and must be repaired.*
 - c) **Disconnect the plug from the power source and/or the battery pack from the power tool before making any adjustments, changing accessories, or storing power tools.** *Such preventive safety measures reduce the risk of starting the power tool accidentally.*
 - d) **Store idle power tools out of the reach of children and do not allow persons unfamiliar with the power tool or these instructions to operate the power tool.** *Power tools are dangerous in the hands of untrained users.*
 - e) **Maintain power tools. Check for misalignment or binding of moving parts, breakage of parts and any other condition that may affect the power tool's operation. If damaged, have the power tool repaired before use.** *Many accidents are caused by poorly maintained power tools.*
 - f) **Keep cutting tools sharp and clean.** *Properly maintained cutting tools with sharp cutting edges are less likely to bind and are easier to control.*
 - g) **Use the power tool, accessories and tool bits, etc. in accordance with these instructions, taking into account the working conditions and the work to be performed.** *Use of the power tool for operations different from those intended could result in a hazardous situation.*
- 5) SERVICE**
- a) **Have your power tool serviced by a qualified repair person using only identical replacement parts.** *This will ensure that the safety of the power tool is maintained.*

SPECIFIC SAFETY RULES

- **Hold power tool by insulated gripping surfaces, when performing an operation where the cutting accessory may contact hidden wiring or its own cord.** *Cutting accessory contacting a "live" wire may make exposed metal parts of the power tool "live" and could give the operator an electric shock.*
- **Use clamps or another practical way to secure and support the work piece to a stable platform.** *Holding the work by hand or against your body leaves it unstable and may lead to loss of control.*
- **Disconnect power before using tool near live wires or where there may be hidden wiring.** *Cutting accessory contacting a "live" wire may make exposed metal parts of the power tool "live" and could give the operator an electric shock." Always check for hidden wiring, gas lines, or other utilities before performing any material cutting or removal operations with the tool.*
- **Wait for the cutter to stop before setting the tool down.** *An exposed cutter may engage the surface leading to possible loss of control and serious injury.*
- **Do not operate this tool for long periods of time.** *Vibration caused by the operating action of this tool may cause permanent injury to fingers, hands, and arms. Use gloves to provide extra cushion, take frequent rest periods, and limit daily time of use.*
- **Always hold the tool firmly with both hands for maximum control.** *Keep proper footing and balance at all times. This enables better control of the power tool in unexpected situations.*
- **Do not restart the cutting operation in the work piece.** *Let the tool reach full speed and carefully re-enter the cut.*
- **Do not "jam" the cut-off saw blade or apply excessive pressure.** *Do not attempt to make an excessive depth of cut.*
- **Keep your hands away from cutting area.** *Do not reach under the material being cut.*
- **Do not use dull or damaged blades.** *Bent blade can break easily or cause kickback. Exercise extreme caution when handling the accessories. The accessories are very sharp. Wear protective gloves when changing cutting accessories. Accessories become hot after prolonged usage.*
- **Before scraping, check work piece for nails.** *If there are nails, either remove them or set them well below intended finished surface. Striking a nail with accessory edge could cause the tool to jump.*

- **Do not wet sand with this tool.** Liquids entering the motor housing are an electrical shock hazard.
- **Never work in area which is soaked with a liquid, such as a solvent or water, or dampened such as newly applied wallpaper.** There is an electrical shock hazard when working in such conditions with a power tool and heating of the liquid caused by scraping action may cause harmful vapors to be emitted from work piece.
- **Do not use sandpaper intended for larger sanding pads.** Larger sandpaper will extend beyond the sanding pad causing snagging, tearing of the paper or kick-back. Extra paper extending beyond the sanding pad can also cause serious lacerations.

⚠ WARNING: ALWAYS use safety glasses. Everyday eyeglasses are NOT safety glasses. Also use face or dust mask. ALWAYS WEAR CERTIFIED SAFETY EQUIPMENT:

- ANSI Z87.1 eye protection (CAN/CPA Z94.3),
- ANSI S12.6 (S3.19) hearing protection,
- NOSH/OSHA respiratory protection.

⚠ WARNING: *Some dust created by power sanding, sawing, grinding, drilling, and other construction activities contains chemicals known to the state of California to cause cancer, birth defects or other reproductive harm. Some examples of these chemicals are:*

- lead from lead-based paints,
- crystalline silica from bricks and cement and other masonry products, and
- arsenic and chromium from chemically-treated lumber.

Your risk from these exposures varies, depending on how often you do this type of work. To reduce your exposure to these chemicals: work in a well ventilated area, and work with approved safety equipment, such as those dust masks that are specially designed to filter out microscopic particles.

- **Avoid prolonged contact with dust from power sanding, sawing, grinding, drilling, and other construction activities. Wear protective clothing and wash exposed areas with soap and water.** *Allowing dust to get into your mouth, eyes, or lay on the skin may promote absorption of harmful chemicals.*

⚠ WARNING: *Use of this tool can generate and/or disperse dust, which may cause serious and permanent respiratory or other injury. Always use NOSH/OSHA approved respiratory protection appropriate for the dust exposure. Direct particles away from face and body.*

⚠ WARNING: **Always wear proper personal hearing protection that conforms to ANSI S12.6 (S3.19) during use.** *Under some conditions and duration of use, noise from this product may contribute to hearing loss.*

PRECAUTIONS TO TAKE WHEN SANDING PAINT

1. Sanding of lead based paint is NOT RECOMMENDED due to the difficulty of controlling the contaminated dust. The greatest danger of lead poisoning is to children and pregnant women.
2. Since it is difficult to identify whether or not a paint contains lead without a chemical analysis, we recommend the following precautions when sanding any paint:

PERSONAL SAFETY

1. No children or pregnant women should enter the work area where the paint sanding is being done until all clean up is completed.
2. A dust mask or respirator should be worn by all persons entering the work area. The filter should be replaced daily or whenever the wearer has difficulty breathing. See your local hardware store for the proper N.I.O.S.H. approved dust mask.
3. NO EATING, DRINKING or SMOKING should be done in the work area to prevent ingesting contaminated paint particles. Workers should wash and clean up BEFORE eating, drinking or smoking. Articles of food, drink, or smoking should not be left in the work area where dust would settle on them.

ENVIRONMENTAL SAFETY

1. Paint should be removed in such a manner as to minimize the amount of dust generated.
2. Areas where paint removal is occurring should be sealed with plastic sheeting of 4 mils thickness.
3. Sanding should be done in a manner to reduce tracking of paint dust outside the work area.

CLEANING AND DISPOSAL

1. All surfaces in the work area should be vacuumed and thoroughly cleaned daily for the duration of the sanding project. Vacuum filter bags should be changed frequently.
2. Plastic drop cloths should be gathered up and disposed of along with any dust chips or other removal debris. They should be placed in sealed refuse receptacles and disposed of

through regular trash pick-up procedures. During clean up, children and pregnant women should be kept away from the immediate work area.

- All toys, washable furniture and utensils used by children should be washed thoroughly before being used again.

SYMBOLS

- The label on your tool may include the following symbols. The symbols and their definitions are as follows:

V.....volts

Hz.....hertz

min.....minutes

== or DC...direct current

ⓘ.....Class I Construction
(grounded)

Ⓚ.....Class II Construction
(double insulated)

📖.....Read instruction manual before use

🕶.....Use proper eye protection

A.....amperes

W.....watts

~.....alternating current

n_o.....no load speed

⊕.....earthing terminal

⚠.....safety alert symbol

rpm.....oscillations per minute

👤.....Use proper respiratory protection

👂.....Use proper hearing protection

- When using an extension cord, be sure to use one heavy enough to carry the current your product will draw. An undersized cord will cause a drop in line voltage resulting in loss of power and overheating. The table shows the correct size to use depending on cord length and nameplate ampere rating. If in doubt, use the next heavier gauge. The smaller the gauge number, the heavier the cord.

Volts	Minimum Gauge for Cord Sets				
	Total Length of Cord in Feet				
120V	0-25	26-50	51-100	101-150	
	(0-7,6m)	(7,6-15,2m)	(15,2-30,4m)	(30,4-45,7m)	
240V	0-50	51-100	101-200	201-300	
	(0-15,2m)	(15,2-30,4m)	(30,4-60,9m)	(60,9-91,4m)	
Ampere Rating		American Wire Gauge			
More Than	Not more Than				
0 -	6	18	16	16	14
6 -	10	18	16	14	12
10 -	12	16	16	14	12
12 -	16	14	12	Not Recommended	

INTENDED USE

Detail Sanding

Sanding in extremely tight areas otherwise difficult to reach and require hand sanding. Select a high oscillating frequency. Sand with continuous motion and light pressure. Applying excessive pressure does not increase material removal; but will prematurely wear sanding sheets.

Flush Cutting

Remove excess wood from door jamb, window sill and/or toe kick. Removing excess copper or PVC pipe.

Removal Work

Carpets & backing, old tile adhesives, caulking on masonry, wood and other surfaces.

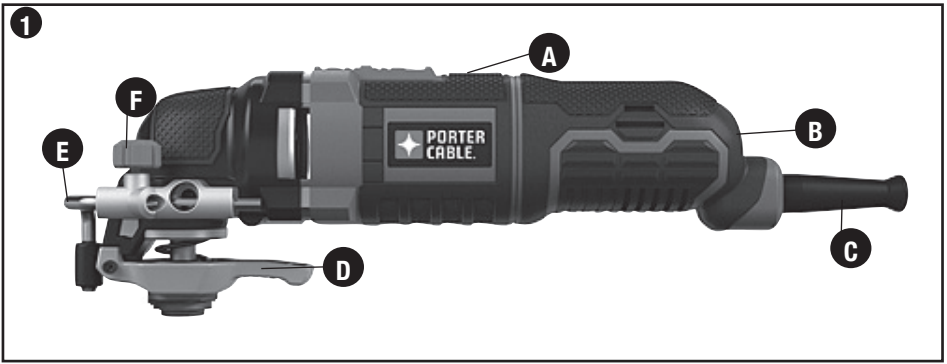
Removal of Excess Materials

Tile grout, plaster, mortar splatters, concrete on tiles, sills.

Preparation of Surfaces

New floors and tiles.

SAVE THESE INSTRUCTIONS



COMPONENTS

- A.) On/Off switch
- B.) Variable speed dial
- C.) 10 foot cord

- D.) Tool-Free accessory clamp
- E.) Depth/Cut guide*
- F.) Depth/Cut adjustment knob*

* Included with PCE605K only.

ASSEMBLY

⚠ WARNING: Disconnect the plug from the power source before making any assembly, adjustments or changing accessories. Such preventive safety measures reduce the risk of starting the tool accidentally.

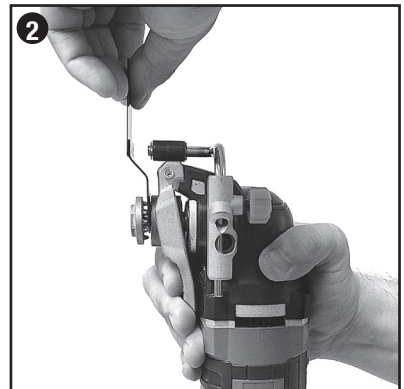
⚠ WARNING: Risk of lacerations or burns. Do not touch the sharp edges of accessories at any time. Do not touch work piece or blade immediately after operating the tool. They can become very hot. Handle carefully. Always allow accessories and work piece to cool before handling.

⚠ CAUTION: This multi-tool is compatible only with DeWalt® Universal Fitment™ accessories and is not compatible with other Porter-Cable accessories.

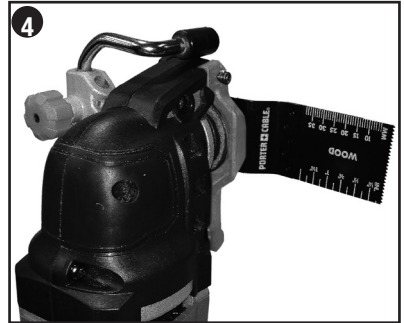
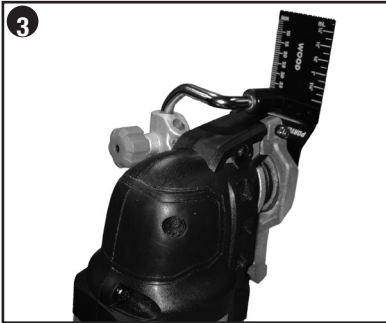
INSTALLING/REMOVING ACCESSORIES

The tool features an exclusive Tool Free System for faster accessory changes and adjustments without the need for wrenches or hex keys like other oscillating tool systems.

- Grasp the tool and squeeze the Tool-Free System's accessory clamping lever as shown in figure 2.
- Clean any residual debris from the tool shaft and the accessory holder.



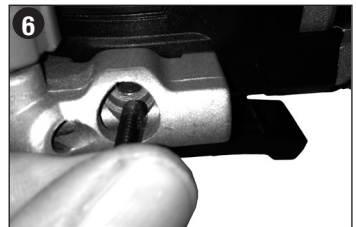
- Slide the accessory between the shaft and the accessory holder making sure the accessory engages all of the pins on the holder and is flush with the shaft (**figure 3**).
- Release the accessory clamp lever.
- Some accessories, such as scrapers and blades can be mounted at an angle if required as shown in **figure 4**.



INSTALLING/REMOVING DEPTH/CUT BLOCK

The depth/cut guide allows you to precisely cut material at a specified depth and more accurately track a marked cut line.

- Attach the depth/cut block by inserting the tabs on the guide into the slots on the main body as shown in **figure 5**.
- Secure the block to the main body with the supplied screw and tighten with the supplied hex wrench as shown in **figure 6**.



INSTALLING/REMOVING SANDING SHEETS

A diamond shaped platen uses a hook and loop adhesion system to attach the sanding sheets. The platen allows you to use it on large flat surfaces and tight spots or corners.

- Attach the sanding platen as described under “Installing/Removing Accessories”.
- Align the edges on the sanding sheet, with the edge of the sanding platen and press the sanding sheet onto the platen as shown in **figure 7**.
- Firmly press the base with the sanding sheet attached against a flat surface and briefly switch the tool on. This provides for good adhesion between the platen and the sanding sheet and also helps to prevent premature wear.
- When the tip of the sanding sheet becomes worn, detach the sheet from the platen, rotate and reapply.

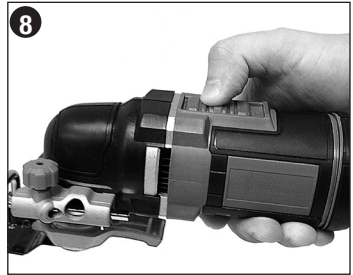


OPERATION

SWITCH

⚠ CAUTION: Because the tool has a separate speed dial for setting the speed (10,000 - 22,000 OPM), the tool will start at the speed where the variable speed dial is set. Be sure switch is fully OFF before plugging in the power cord.

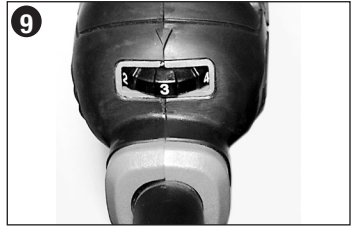
- Plug in power cord.
- To turn the tool ON, hold it as shown in **figure 8** and push the slide switch forward.
- To turn the tool OFF, push the slide switch backward.



VARIABLE SPEED DIAL

To operate the tool, select the speed setting you wish with the speed dial, shown in **figure 9**, and slide the ON/OFF switch forward. The speed setting can be adjusted either with the tool on or off.

⚠ CAUTION: Because the tool has a separate speed dial for setting the speed (10,000 - 22,000 OPM), the tool will start at the speed where the variable speed dial is set. Be sure switch is fully OFF before plugging in the power cord.



The numbered positions, 1 through 6 inscribed on the variable speed dial, do not indicate any precise speed but are good reference points. The higher the number, the higher the tool speed.

The approximate speed at each setting is:

SPEED SETTING	1	2	3	4	5	6
APPROXIMATE SPEED	10,000	12,000	14,000	16,000	18,000	22,000

(Actual OPM's on your tool may vary.)

Be sure to select the proper speed for your oscillating tool operation. If in doubt about the proper speed for your operation, test the performance at low speed settings and gradually increase until a comfortable speed is found.

PLUNGE CUTTING

⚠ WARNING: Hold saw firmly with both hands for all cutting operations.

⚠ WARNING: Inspect work area for hidden electrical wiring, gas pipes or water pipes before making blind or plunge cuts. Failure to do so may result in electrical shock, fire, explosion, or property damage.

⚠ WARNING: ALWAYS use safety glasses. Everyday eyeglasses are NOT safety glasses. Also use face or dust mask if cutting operation is dusty. ALWAYS WEAR CERTIFIED SAFETY EQUIPMENT.

⚠ WARNING: CUT HAZARD. Before cutting any type of material, be sure it is firmly anchored or clamped to prevent slipping.

⚠ WARNING: CUT HAZARD. Let the tool work at its own pace. Do not overload, blade breakage may occur.

TO MAKE A CUT:

- Clearly mark the desired cutting area.
- Switch the tool on before applying pressure and slowly feed the blade into the work piece at the marked location as shown in **figure 13**.

⚠ WARNING: CUT HAZARD. Ensure the blade is not in contact with cutting surface before starting saw.

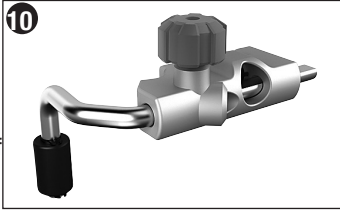
- Advance the blade along the cutting line until cut is completed. Don't force the tool; let the blade cut at its own speed.
- Switch the tool off.

NOTE: Always use the appropriate type of saw blade for the work piece material and type of cut. Cut only with sharp blades; they cut cleaner, faster and put less strain on the motor while cutting.

DEPTH GUIDE

This feature allows you to precisely cut material at a specified depth.

- To use the depth guide, insert the guide as shown in **figure 10** into the front slot on the guide block.
- Adjust the length of the guide by pulling out or pushing inward to achieve the desired cut depth as shown in **figure 11**.

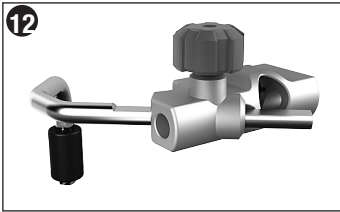


- Secure the guide in place by turning the depth/cut adjustment knob clockwise. To release the guide turn the depth/cut adjustment knob counterclockwise.

CUT GUIDE

This feature allows you to more accurately track a marked cut line.

- To use the cut guide, insert the guide as shown in **figure 12** into the slots on the left and right sides of the guide block.
- Adjust the length of the guide by pulling out or pushing inward to achieve the desired length as shown in **figure 13**.
- Secure the guide in place by turning the depth/cut adjustment knob clockwise. To release the guide turn the depth/cut adjustment knob counterclockwise.



SANDING

⚠ WARNING: Fire hazard. When working on metal surfaces, do not use a vacuum cleaner because sparks are generated. Wear safety glasses and a dust mask. Due to the danger of fire, do not use your sander to sand magnesium surfaces. Do not use for wet sanding.

NOTE: Do not rest fingers on platen during use. Move it in long sweeping strokes across the surface, letting it do the work. Light pressure is all that is required for sanding. Excessive pressure will slow the tool and produce inferior results. Check your work often, product is capable of removing material rapidly. Excessive force will reduce the working efficiency and cause motor overload. Replacing the sanding sheet regularly will maintain optimum working efficiency.

NOTE: Always ensure the work piece is firmly held or clamped to prevent movement. Any movement of the material may affect the quality of the sanding finish.

HELPFUL HINTS

- Always ensure the work piece is firmly held or clamped to prevent movement. Any movement of the material may affect the quality of the cutting or sanding finish.
- Do not start sanding without having the sandpaper attached to sanding platen.
- Use coarse grit paper to sand rough surfaces, medium grit for smooth surfaces and fine grit for the finishing surfaces. If necessary, first make a test run on scrap material.
- Excessive force will reduce the working efficiency and cause motor overload.
- Replacing the accessory regularly will maintain optimum working efficiency.
- Do not allow the sandpaper to wear away, it will damage the sanding pad.
- If the tool overheats, especially when used at low speed, set the speed to maximum and run it with no load for 2-3 minutes to cool the motor. Avoid prolonged usage at very low speeds. Always keep the blade sharp.

MAINTENANCE

⚠ CAUTION: Never use solvents or other harsh chemicals for cleaning the non-metallic parts of the tool. Use only mild soap and damp cloth to clean the tool. Never let any liquid get inside the tool; never immerse any part of the tool into a liquid.

TROUBLESHOOTING

Problem

- Unit will not start.

Possible Cause

- Cord not plugged in.
- Circuit fuse is blown.
- Circuit breaker is tripped.
- Cord or switch is damaged.

Possible Solution

- Plug tool into a working outlet.
- Replace circuit fuse. (If the product repeatedly causes the circuit fuse to blow, discontinue use immediately and have it serviced at a Porter Cable service center or authorized servicer.)
- Reset circuit breaker. (If the product repeatedly causes the circuit breaker to trip, discontinue use immediately and have it serviced at a Porter Cable service center or authorized servicer.)
- Have cord or switch replaced at a Porter Cable Service Center or Authorized Servicer

For assistance with your product, visit our website at www.portercable.com for a list of service centers, or call the PorterCable Customer Care Center at (888) 848-5175.

REPLACEMENT PARTS

Use only identical replacement parts. For a parts list or to order parts, visit our service website at www.portercable.com. You can also order parts from your nearest PORTER-CABLE Factory Service Center or PORTER-CABLE Authorized Warranty Service Center. Or, you can call our Customer Care Center at (888) 848-5175.

SERVICE AND REPAIRS

All quality tools will eventually require servicing and/or replacement of parts. For information about PORTER-CABLE, its factory service centers or authorized warranty service centers, visit our website at www.portercable.com or call our Customer Care Center at (888) 848-5175. All repairs made by our service centers are fully guaranteed against defective material and workmanship. We cannot guarantee repairs made or attempted by others.

You can also write to us for information at PORTER-CABLE, 4825 Highway 45 North, Jackson, Tennessee 38305, (888) 848-5175 - Attention: Product Service. Be sure to include all of the information shown on the nameplate of your tool (model number, type, serial number, etc.). A complete line of accessories is available from your PORTER-CABLE Factory Service Center or a PORTER-CABLE Authorized Warranty Service Center. Please visit our Web Site www.portercable.com for a catalog or for the name of your nearest supplier.

ACCESSORIES

⚠ WARNING: Since accessories, other than those offered with DeWalt® Universal Fitment™, have not been tested for this product, use of such accessories with this tool could be hazardous. To reduce the risk of injury, only PORTER-CABLE recommended accessories should be used with this product.

A complete line of accessories is available from your PORTER-CABLE Factory Service Center or a PORTER-CABLE Authorized Warranty Service Center. Please visit our Web Site www.portercable.com for a catalog or for the name of your nearest supplier.

NOTE: This equipment has been tested and found to comply with the limits for a Class B digital device, pursuant to Part 15 of the FCC Rules. These limits are designed to provide reasonable protection against harmful interference in a residential installation. This equipment generates, uses and can radiate radio frequency energy and, if not installed and used in accordance with the instructions, may cause harmful interference to radio communications.

However, there is no guarantee that interference will not occur in a particular installation. If this equipment does cause harmful interference to radio or television reception, which can be determined by turning the equipment off and on, the user is encouraged to try to correct the interference by one or more of the following measures:

- Reorient or relocate the receiving antenna.
- Increase the separation between the equipment and receiver.
- Connect the equipment into an outlet on a circuit different from that to which the receiver is connected.
- Consult the dealer or an experienced radio/TV technician for help.

Changes or modifications to this unit not expressly approved by the party responsible for compliance could void the user's authority to operate the equipment. This Class B digital apparatus complies with Canadian ICES-003.

THREE YEAR LIMITED WARRANTY

PORTER-CABLE will repair or replace, without charge, any defects due to faulty materials or workmanship for three years from the date of purchase for tools (two years for batteries). This warranty does not cover part failure due to normal wear or tool abuse. For further detail of warranty coverage and warranty repair information, visit www.portercable.com or call (888) 848-5175. This warranty does not apply to accessories or damage caused where repairs have been made or attempted by others. This warranty gives you specific legal rights and you may have other rights which vary in certain states or provinces.

In addition to the warranty, PORTER-CABLE tools are covered by our:

1 YEAR FREE SERVICE: PORTER-CABLE will maintain the tool and replace worn parts caused by normal use, for free, any time during the first year after purchase.

90 DAY MONEY BACK GUARANTEE: If you are not completely satisfied with the performance of your PORTER-CABLE Power Tool for any reason, you can return it within 90 days from the date of purchase with a receipt for a full refund – no questions asked.

LATIN AMERICA: This warranty does not apply to products sold in Latin America. For products sold in Latin America, see country specific warranty information contained in the packaging, call the local company or see website for warranty information.

To register your tool for warranty service visit our website at www.portercable.com.

WARNING LABEL REPLACEMENT

If your warning labels become illegible or are missing, call (888) 848-5175 for a free replacement.

The following are PORTER-CABLE trademarks for one or more power tools and accessories: a gray and black color scheme; a "four point star" design; and three contrasting/outlined longitudinal stripes. The following are also trademarks for one or more PORTER-CABLE and Delta products: Les éléments ci-dessous sont des marques de commerce des outils et des accessoires de PORTER-CABLE : un agencement de couleurs grise et noire; un motif d'« étoile à quatre pointes » et trois bandes longitudinales contrastantes/à contours. Les marques suivantes sont également des marques de commerce se rapportant à un ou plusieurs produits PORTER-CABLE ou Delta : Las siguientes son marcas comerciales PORTER-CABLE que distinguen a una o más herramientas y accesorios: un gráfico de color gris y negro; un diseño de "estrella de cuatro puntas" y tres franjas longitudinales contrastantes/delineadas. Las siguientes también son marcas comerciales para uno o más productos de PORTER-CABLE y Delta: 2 BY 4®, 890™, Air America®, AIRBOSS™, Auto-Set®, B.O.S.S.®, Bammer®, Biesemeyer®, Builders Saw®, Charge Air®, Charge Air Pro®, CONTRACTOR SUPERDUTY®, Contractor's Saw®, Delta®, DELTA®, Delta Industrial®, DELTA MACHINERY & DESIGN™, Delta Shopmaster and Design®, Delta X5®, Deltacraft®, DELTAGRAM®, Do it. Feel It.®, DUAL LASERLOC AND DESIGN®, EASY AIR®, EASY AIR TO GO™, ENDURADIAMOND®, Ex-Cell®, Front Bevel Lock®, Get Yours While the Sun Shines®, Grip to Fit®, GRIPVAC™, GTF®, HICKORY WOODWORKING®, Homecraft®, HP FRAMER HIGH PRESSURE®, IMPACT SERIES™, Innovation That Works®, Jet-Lock®, Job Boss®, Kickstand®, LASERLOC®, LONG-LASTING WORK LIFE®, MAX FORCE™, MAX LIFE®, Micro-Set®, Midi-Lathe®, Monsoon®, MONSTER-CARBIDE™, Network®, OLDHAM®, Omnijig®, PC EDGE®, Performance Crew™, Performance Gear®, Pocket Cutter®, Porta-Band®, Porta-Plane®, PORTER-CABLE®, PORTER-CABLE Professional Power Tools®, Powerback®, POZI-STOP™, Pressure Wave®, PRO 4000®, Proair®, Quicksand and Design®, Quickset II®, QUIET DRIVE TECHNOLOGY™, QUIET DRIVE TECHNOLOGY AND DESIGN™, Quik-Change®, QUIK-TILT®, RAPID-RELEASE™, RAZOR®, Redefining Performance®, Riptide®, Safe Guard II®, Sand Trap and Design®, Sanding Center®, Saw Boss®, Shop Boss®, Sidekick®, Site Boss®, Speed-Bloc®, Speedmatic®, Stair Ease®, Steel Driver Series®, SUPERDUTY®, T4 & DESIGN®, THE AMERICAN WOODSHOP®, THE PROFESSIONAL EDGE®, Thin-Line®, Tiger Saw®, TIGERCLAW®, TIGERCLAW AND DESIGN®, Torq-Buster®, TRU-MATCH®, T-Square®, Twinlaser®, Unifence®, Uniguard®, UNIRIP®, UNISAW®, UNITED STATES SAW®, Vert-Set®, Versa-Feeder®, VIPER®, VT™, VT RAZOR™, Water Driver®, WATER VROOM®, Waveform®, Whisper Series®, X5®, YOUR ACHIEVEMENT. OUR TOOLS.®

Trademarks noted with ® are registered in the United States Patent and Trademark Office and may also be registered in other countries. Other trademarks may apply. Les marques de commerce suivies du symbole ® sont enregistrées auprès du United States Patent and Trademark Office et peuvent être enregistrées dans d'autres pays. D'autres marques de commerce peuvent également être applicables. Las marcas comerciales con el símbolo ® están registradas en la Oficina de patentes y marcas comerciales de Estados Unidos (United States Patent and Trademark Office), y también pueden estar registradas en otros países. Posiblemente se apliquen otras marcas comerciales registradas.

PORTER  CABLE.

4825 Highway 45, North Jackson, TN 38305 / (888) 848-5175 / www.portercable.com

PORTER CABLE®

Outil oscillant polyvalent
de 3,0 A



Manuel d'instructions

www.portercable.com

Merci d'avoir choisi PORTER-CABLE! Consulter le site Web www.portercable.com/ServiceAndSupport/ProductRegistration.aspx pour enregistrer votre nouveau produit.

N° DE CATALOGUE
PCE605
PCE606

LIGNES DIRECTRICES EN MATIÈRE DE SÉCURITÉ - DÉFINITIONS

Il est important que vous lisiez et compreniez ce mode d'emploi. Les informations qu'il contient concernent VOTRE SÉCURITÉ et visent à ÉVITER TOUT PROBLÈME. Les symboles ci-dessous servent à vous aider à reconnaître cette information.

⚠ DANGER : Indique une situation dangereuse imminente qui, si elle n'est pas évitée, causera la mort ou des graves blessures.

⚠ AVERTISSEMENT : Indique une situation potentiellement dangereuse qui, si elle n'est pas évitée, pourrait causer la mort ou de graves blessures.

⚠ MISE EN GARDE : Indique une situation potentiellement dangereuse qui, si elle n'est pas évitée, pourrait causer des blessures mineures ou modérées.

AVIS : Utilisé sans le symbole d'alerte à la sécurité, indique une situation potentiellement dangereuse qui, si elle n'est pas évitée, peut résulter en des dommages à la propriété.

AVERTISSEMENTS DE SÉCURITÉ GÉNÉRAUX POUR LES OUTILS ÉLECTRIQUES

⚠ AVERTISSEMENT : Lire tous les avertissements de sécurité et toutes les directives. Le non-respect des avertissements et des directives pourrait se solder par un choc électrique, un incendie et/ou une blessure grave.

Conserver tous les avertissements et toutes les directives pour un usage ultérieur.

Le terme «outil électrique» cité dans les avertissements se rapporte à votre outil électrique à alimentation sur secteur (avec fil) ou par piles (sans fil).

1) Sécurité du lieu de travail

- Tenir la zone de travail propre et bien éclairée.** *Les endroits sombres sont souvent des causes d'accidents.*
- Ne pas faire fonctionner d'outils électriques dans un milieu déflagrant, soit en présence de liquides inflammables, de gaz ou de poussière.** *Les outils électriques produisent des étincelles qui peuvent enflammer la poussière ou les vapeurs.*
- Éloigner les enfants et les curieux au moment d'utiliser un outil électrique.** *Une distraction pourrait vous en faire perdre la maîtrise.*

2) Sécurité en matière d'électricité

- Les fiches des outils électriques doivent correspondre à la prise. Ne jamais modifier la fiche en aucune façon.** *Ne jamais utiliser de fiche d'adaptation avec un outil électrique mis à la terre. Le risque de choc électrique sera réduit par l'utilisation de fiches non modifiées correspondant à la prise.*
- Éviter tout contact physique avec des surfaces mises à la terre comme des tuyaux, des radiateurs, des cuisinières et des réfrigérateurs.** *Le risque de choc électrique est plus élevé si votre corps est mis à la terre.*
- Ne pas exposer les outils électriques à la pluie ou à d'autres conditions où il pourrait être mouillé.** *La pénétration de l'eau dans un outil électrique augmente le risque de choc électrique.*
- Ne pas utiliser abusivement le cordon d'alimentation. Ne jamais utiliser le cordon pour transporter, tirer ou débrancher un outil électrique. Tenir le cordon éloigné de la chaleur, de l'huile, des bords tranchants ou des pièces mobiles.** *Les cordons endommagés ou emmêlés augmentent les risques de choc électrique.*
- Pour l'utilisation d'un outil électrique à l'extérieur, se servir d'une rallonge convenant à une telle utilisation.** *L'utilisation d'une rallonge conçue pour l'extérieur réduit les risques de choc électrique.*
- S'il est impossible d'éviter l'utilisation d'un outil électrique dans un endroit humide, brancher l'outil dans une prise ou sur un circuit d'alimentation dotés d'un disjoncteur de fuite à la terre (GFCI).** *L'utilisation de ce type de disjoncteur réduit les risques de choc électrique.*

3) Sécurité personnelle

- Être vigilant, surveiller le travail effectué et faire preuve de jugement lorsqu'un outil électrique est utilisé. Ne pas utiliser d'outil électrique en cas de fatigue ou sous l'influence de drogues, d'alcool ou de médicaments.** *Un simple moment d'inattention en utilisant un outil électrique peut entraîner des blessures corporelles graves.*
- Utiliser des équipements de protection individuelle. Toujours porter une protection**

oculaire. L'utilisation d'équipements de protection comme un masque antipoussière, des chaussures antidérapantes, un casque de sécurité ou des protecteurs auditifs lorsque la situation le requiert réduira les risques de blessures corporelles.

- c) **Empêcher les démarrages intempestifs. S'assurer que l'interrupteur se trouve à la position d'arrêt avant de relier l'outil à une source d'alimentation et/ou d'insérer un bloc-piles, de ramasser ou de transporter l'outil.** Transporter un outil électrique alors que le doigt repose sur l'interrupteur ou brancher un outil électrique dont l'interrupteur est à la position de marche risque de provoquer un accident.
 - d) **Retirer toute clé de réglage ou clé standard avant de démarrer l'outil.** Une clé standard ou une clé de réglage attachée à une partie pivotante peut causer des blessures.
 - e) **Ne pas trop tendre les bras. Conserver son équilibre en tout temps.** Cela permet de mieux maîtriser l'outil électrique dans les situations imprévues.
 - f) **S'habiller de manière appropriée. Ne pas porter de vêtements amples ni de bijoux. Garder les cheveux, les vêtements et les gants à l'écart des pièces mobiles.** Les vêtements amples, les bijoux ou les cheveux longs risquent de rester coincés dans les pièces mobiles.
 - g) **Si des composants sont fournis pour le raccordement de dispositifs de dé poussiérage et de ramassage, s'assurer que ceux-ci sont bien raccordés et utilisés.** L'utilisation d'un dispositif de dé poussiérage peut réduire les dangers engendrés par les poussières.
- 4) **Utilisation et entretien d'un outil électrique**
- a) **Ne pas forcer un outil électrique. Utiliser l'outil électrique approprié à l'application.** L'outil électrique approprié effectuera un meilleur travail, de façon plus sûre et à la vitesse pour laquelle il a été conçu.
 - b) **Ne pas utiliser un outil électrique dont l'interrupteur est défectueux.** Tout outil électrique dont l'interrupteur est défectueux est dangereux et doit être réparé.
 - c) **Débrancher la fiche du secteur ou le bloc-piles de l'outil électrique avant de faire tout réglage ou changement d'accessoire, ou avant de ranger l'outil électrique.** Ces mesures préventives réduisent les risques de démarrage accidentel de l'outil électrique.
 - d) **Ranger les outils électriques hors de la portée des enfants, et ne permettre à aucune personne n'étant pas familière avec un outil électrique (ou son manuel d'instruction) d'utiliser ce dernier.** Les outils électriques deviennent dangereux entre les mains d'utilisateurs inexpérimentés.
 - e) **Entretenir les outils électriques. Vérifier les pièces mobiles pour s'assurer qu'elles sont bien alignées et tournent librement, qu'elles sont en bon état et ne sont affectées par aucun trouble susceptible de nuire au bon fonctionnement de l'outil électrique. En cas de dommage, faire réparer l'outil électrique avant toute nouvelle utilisation.** Beaucoup d'accidents sont causés par des outils électriques mal entretenus.
 - f) **S'assurer que les outils de coupe sont aiguisés et propres.** Les outils de coupe bien entretenus et affûtés sont moins susceptibles de se coincer et sont plus faciles à contrôler.
 - g) **Utiliser l'outil électrique, les accessoires, les forets, etc. conformément aux présentes directives en tenant compte des conditions de travail et du travail à effectuer.** L'utilisation d'un outil électrique pour toute opération autre que celle pour laquelle il a été conçu est dangereuse.
- 5) **Réparation**
- a) **Faire réparer l'outil électrique par un réparateur professionnel en n'utilisant que des pièces de rechange identiques.** Cela permettra de maintenir une utilisation sécuritaire de l'outil électrique.

RÈGLES DE SÉCURITÉ SPÉCIFIQUES

- **Tenir l'outil électrique par sa surface de prise isolée dans une situation où l'accessoire de coupe pourrait entrer en contact avec un câble électrique dissimulé ou avec son propre cordon d'alimentation.** Tout contact entre un fil « sous tension » et l'accessoire de coupe pourrait également mettre « sous tension » les pièces métalliques exposées de l'outil et électrocuter l'utilisateur.
- **Utiliser des pinces ou tout autre moyen pratique de soutenir et de fixer solidement la pièce sur une plate-forme stable.** Tenir la pièce avec la main ou contre son corps n'est pas suffisamment stable et risque de provoquer une perte de maîtrise de l'outil.
- **Mettre l'outil hors tension avant de l'utiliser près de fils sous tension ou à un endroit pouvant comprendre des fils cachés.** Un accessoire de coupe qui entre en contact avec un fil sous tension peut causer la mise sous tension de pièces métalliques exposées de l'outil électrique et ainsi donner une décharge électrique à l'opérateur. Toujours vérifier la présence de fils cachés, de conduites de gaz ou d'autres services publics avant de procéder à la coupe de matériau ou à des opérations d'enlèvement avec l'outil.
- **Attendre que le couteau cesse de fonctionner avant de déposer l'outil.** Un couteau exposé peut pénétrer dans la surface et causer une perte de maîtrise de l'outil et des blessures graves.

- **Ne pas faire fonctionner cet outil durant de longues périodes.** Les vibrations causées par le fonctionnement de cet outil peuvent provoquer des blessures permanentes aux doigts, aux mains et aux bras. Utiliser des gants pour amortir davantage les vibrations, prendre de fréquentes périodes de repos et limiter la durée quotidienne d'utilisation.
- **Toujours tenir fermement l'outil des deux mains pour assurer une maîtrise maximale.** Conserver son équilibre en tout temps. Cela permet de mieux maîtriser l'outil électrique dans les situations imprévues.
- **Ne pas reprendre la coupe dans le trait de coupe de la pièce.** Attendre que l'outil soit à plein régime, puis le réinsérer soigneusement dans le trait de coupe.
- **Ne pas « coincer » la lame tronçonneuse ni appliquer une pression excessive.** Ne pas essayer de couper à une profondeur trop importante.
- **Tenir les mains éloignées de la zone de coupe.** Ne pas toucher la zone située sous le matériau se faisant couper.
- **Ne pas utiliser de lames émoussées ou endommagées.** Une lame pliée peut se briser facilement ou provoquer un effet de rebond. Faire preuve de grande prudence au moment de manipuler les accessoires. Les accessoires sont très coupants. Porter des gants de protection au moment de changer des accessoires de coupe. Les accessoires deviennent chauds après un usage prolongé.
- **Avant de procéder au raclage, vérifier si la pièce présente des clous.** Le cas échéant, enlever les clous ou les enfoncer bien au-dessous de la surface finie prévue. Accrocher un clou avec le bord d'un accessoire risque de faire bondir l'outil.
- **Ne pas poncer à l'eau avec le présent outil.** La pénétration de liquides dans le carter du moteur constitue un risque de décharge électrique.
- **Ne jamais travailler dans une zone imbibée de liquide, comme du solvant ou de l'eau, ou encore humidifiée comme c'est le cas pour le papier peint nouvellement appliqué.** De telles conditions de travail avec un outil électrique peuvent causer un risque de décharge électrique, et le chauffage du liquide causé par le raclage peut entraîner l'émission de vapeurs nocives de la pièce à travailler.
- **Ne pas utiliser de papier abrasif prévu pour de plus grands patins de ponçage.** Un papier abrasif plus grand dépassera du patin de ponçage provoquant ainsi l'accrochage ou la déchirure du papier ou bien un effet de rebond. De plus, le papier dépassant le patin de ponçage risque de causer de graves lacérations.

⚠ AVERTISSEMENT : TOUJOURS porter des lunettes de sécurité. Les lunettes de vue ne constituent PAS des lunettes de sécurité. Utiliser également un masque facial ou anti-poussière si l'opération de découpe génère de la poussière. **TOUJOURS PORTER UN EQUIPEMENT DE PROTECTION HOMOLOGUE :**

- protection oculaire conforme à la norme ANSI Z87.1 (CAN/CSA Z94.3);
- protection auditive ANSI S12.6 (S3.19);
- protection des voies respiratoires conformes aux normes NIOSH/OSHA/MSHA.

⚠ AVERTISSEMENT : certains outils électriques, tels que les sableuses, les scies, les meules, les perceuses ou certains autres outils de construction, peuvent produire de la poussière contenant des produits chimiques reconnus par l'Etat de la Californie comme étant susceptibles d'entraîner le cancer, des malformations congénitales ou pouvant être nocifs pour le système reproductif. Parmi ces produits chimiques, on retrouve :

- le plomb dans les peintures à base de plomb,
- la silice cristalline dans les briques et le ciment et autres produits de maçonnerie,
- l'arsenic et le chrome dans le bois de sciage ayant subi un traitement chimique.

Le risque associé à de telles expositions varie selon la fréquence avec laquelle on effectue ces travaux. Pour réduire l'exposition à de tels produits, il faut travailler dans un endroit bien aéré et utiliser le matériel de sécurité approprié, tel un masque anti-poussières spécialement conçu pour filtrer les particules microscopiques.

- **Éviter tout contact prolongé avec la poussière soulevée par cet outil ou autres outils électriques.** Porter des vêtements de protection et nettoyer les parties exposées du corps à l'eau savonneuse. S'assurer de bien se protéger afin d'éviter d'absorber par la bouche, les yeux ou la peau des produits chimiques nocifs.

⚠ AVERTISSEMENT : Cet outil peut produire et répandre de la poussière susceptible de causer des dommages sérieux et permanents au système respiratoire. Toujours utiliser un appareil respiratoire anti-poussières approprié approuvé par le NIOSH ou l'OSHA. Diriger les particules dans le sens opposé du visage et du corps.

⚠ AVERTISSEMENT : Toujours porter une protection auditive appropriée conformément à la norme ANSI S12.6 (S3.19) lors de l'utilisation du produit. Dans certaines conditions et selon la durée d'utilisation, le bruit émis par ce produit peut contribuer à une perte auditive.

PRÉCAUTIONS RELATIVES AU PONÇAGE DE PEINTURE

1. IL N'EST PAS RECOMMANDÉ de poncer de la peinture à base de plomb puisqu'il est difficile d'en maîtriser la poussière contaminée. Ce genre de ponçage présente de sérieux risques d'empoisonnement au plomb pour les femmes enceintes et les enfants.
2. Puisqu'il est difficile de déterminer si la peinture renferme du plomb sans en faire une analyse chimique, il est conseillé de se conformer aux mesures suivantes lors du ponçage de tout type de peinture.

SÉCURITÉ PERSONNELLE

1. Ne laisser aucun enfant ni aucune femme enceinte entrer dans la pièce où il y a ponçage de peinture jusqu'à ce que la pièce soit nettoyée.
2. Toute personne qui entre dans l'aire de travail doit porter un masque anti-poussière ou un appareil respiratoire; le filtre doit être remplacé chaque jour ou lorsque la respiration devient difficile. Consulter le quincaillier local pour obtenir un masque approuvé par le niosh (national institute of occupational health and safety).
3. IL EST DÉCONSEILLÉ DE MANGER, DE BOIRE ET DE FUMER dans la pièce de travail afin de ne pas ingérer de particules contaminées. L'utilisateur doit se laver et se nettoyer AVANT de manger, de boire ou de fumer. Il ne faut pas laisser dans la pièce de travail de la nourriture, des boissons ou des cigarettes car de la poussière pourrait se déposer sur ces articles.

PROTECTION DE L'ENVIRONNEMENT

1. Il faut enlever la peinture de manière à produire un minimum de poussière.
2. Il faut sceller la zone de travail à l'aide de feuilles de plastique d'une épaisseur minimale de 4 mils.
3. Il faut poncer de façon à réduire la propagation de la poussière hors de la pièce de travail.

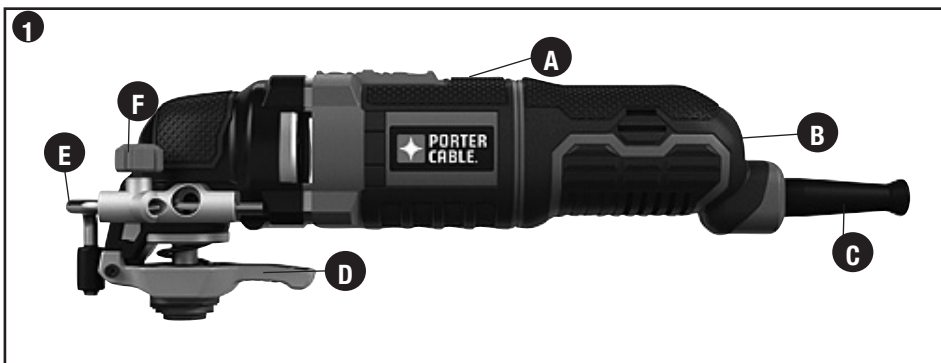
NETTOYAGE ET DÉCHETS

1. Il faut bien aspirer toutes les surfaces de la pièce de travail et les nettoyer à fond chaque jour pendant la durée des travaux. Il faut remplacer fréquemment le filtre de l'aspirateur.
2. Ramasser les feuilles de plastique et les jeter avec la poussière et les autres débris dans des contenants étanches à placer avec les ordures ménagères pour l'enlèvement. Tenir les enfants et les femmes enceintes à l'écart de la zone de travail pendant les travaux de nettoyage.
3. Il faut nettoyer à fond les jouets, les meubles et les ustensiles des enfants avant de les utiliser de nouveau.

SYMBOLES

- L'étiquette apposée sur votre outil pourrait comprendre les symboles suivants. Les symboles et leurs définitions sont indiqués ci-après :

V..... volts	A..... ampères
Hz..... hertz	W..... watts
min..... minutes	~ ou AC .courant alternatif
— ou DC..courant continu	n ₀ sous vide
⚠..... Construction de classe I (mis à la terre)	⚡borne de mise à la minute
⚠..... Construction de classe II	⚠symbole d'avertissement
.../min..... tours à la minute	
📖 Lire le mode d'emploi avant l'utilisation	
👤 Utiliser une protection respiratoire adéquate.	
👁 Utiliser une protection oculaire adéquate.	
👂 Utiliser une protection auditive adéquate.	



COMPOSANTS

- A.) Interrupteur marche/arrêt
- B.) Cadran de vitesses variables
- C.) Cordon de 1,83 m (6 pi)

- D.) Mécanisme de serrage d'accessoire sans outil
- E.) Guide de profondeur/de coupe*
- F.) Poignée d'ajustement de profondeur/de coupe*

* Inclus avec PCE605K seulement.

- En cas d'utilisation d'une rallonge, s'assurer que les valeurs nominales de la rallonge utilisée correspondent bien à celles de l'outil alimenté. L'usage d'une rallonge de calibre insuffisant causera une chute de tension entraînant perte de puissance et surchauffe. Le tableau ci-dessous illustre les calibres à utiliser selon la longueur de rallonge et l'intensité nominale indiquée sur la plaque signalétique. En cas de doutes, utiliser le calibre suivant. Plus le calibre est petit, plus la rallonge peut supporter de courant.

Calibre minimal des cordons de rallonge					
Tension	Longueur totale du cordon en pieds				
120V	0-25	26-50	51-100	101-150	
	(0-7,6m)	(7,6-15,2m)	(15,2-30,4m)	(30,4-45,7m)	
240V	0-50	51-100	101-200	201-300	
	(0-15,2m)	(15,2-30,4m)	(30,4-60,9m)	(60,9-91,4m)	
Intensité (A)		Calibre moyen des fils (AWG)			
Au moins	Au plus				
0	- 6	18	16	16	14
6	- 10	18	16	14	12
10	- 12	16	16	14	12
12	- 16	14	12	Non recommandé	

CONSERVER CES DIRECTIVES

UTILISATION PRÉVUE

Ponçage détaillé

Ponçage dans des endroits extrêmement restreints qui seraient autrement difficiles à atteindre et exigeraient un ponçage à la main. Sélectionner une fréquence d'oscillation élevée. Effectuer le ponçage en imprimant un mouvement continu et en appliquant une légère pression. Exercer une pression excessive ne permet pas d'enlever plus de matière, mais use prématurément les feuilles de papier abrasif.

Coupe à ras

Enlever l'excès de bois du montant de porte, de l'appui de fenêtre ou du coup-de-pied. Enlever l'excès d'un tuyau en cuivre ou en PVC.

Travail d'enlèvement

Tapis et support, vieil adhésif de carreau, calfeutrage sur la maçonnerie, bois et autres surfaces.

Enlèvement de matière en excès

Coulis à carreau, plâtre, projection de mortier, béton sur les carreaux, les appuis.

Préparation des surfaces

Nouveaux planchers et carreaux.

ASSEMBLAGE

⚠ AVERTISSEMENT : Débrancher la fiche de la source d'alimentation avant de procéder au montage, d'effectuer des réglages ou de changer d'accessoire. Une telle mesure de sécurité préventive réduit le risque de mettre l'outil en marche accidentellement.

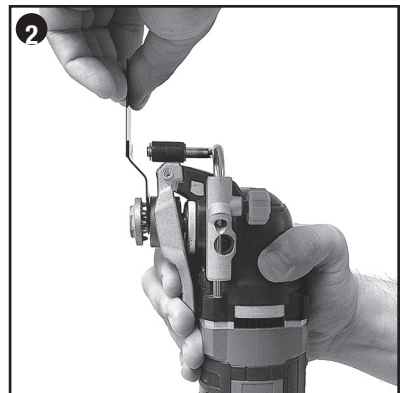
⚠ AVERTISSEMENT : **Risque de lacérations ou de brûlures.** Ne pas toucher à la pièce ou à la lame immédiatement après avoir utilisé l'outil. En effet, elles peuvent devenir très chaudes. À manipuler avec précaution. Toujours laisser refroidir les accessoires et la pièce avant de les manipuler.

⚠ MISE EN GARDE : Cet outil polyvalent est uniquement compatible avec les accessoires Universal Fitment[™] de DeWalt[™] et n'est pas compatible avec les autres accessoires Porter-Cable.

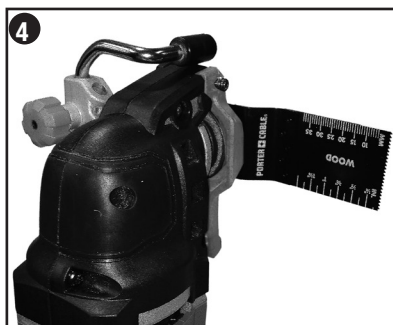
INSTALLATION ET DÉPOSE DES ACCESSOIRES

Se caractérise par un système exclusif de changement d'accessoire sans outil. Cela permet de changer rapidement les accessoires sans avoir besoin de clé standard ou hexagonale comme c'est nécessaire pour d'autres systèmes d'outils oscillants.

- Saisir l'outil est presser le levier de serrage de l'accessoire comme le montre la **figure 2**.
- Nettoyer tout débris résiduel de l'arbre de l'outil et du porte-accessoire.



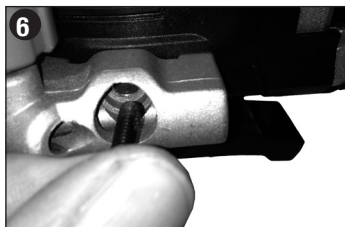
- Glisser l'accessoire entre l'arbre et le porte-accessoire en s'assurant que l'accessoire entre en prise avec les huit broches du porte-accessoire et qu'il affleure l'arbre **figure 3**.
- Relâcher le levier de serrage de l'accessoire.
- Certains accessoires, tels les raclours et les lames, peuvent être montés selon un certain angle si c'est requis, comme le montre la **figure 4**.



POSE/DÉPOSE DU GUIDE DE PROFONDEUR/DE COUPE

Le guide de profondeur/de coupe vous permet de couper exactement le matériau à une profondeur spécifiée et de suivre avec davantage de précision un trait de coupe marqué.

- Attacher le guide de profondeur/de coupe en insérant les onglets du guide dans les fentes sur le corps principal de l'outil comme l'illustre la **figure 5**.
- Fixer le guide au corps principal avec la vis fournie et serrer à l'aide de la clé hexagonale fournie comme le montre la **figure 6**.



INSTALLATION ET DÉPOSE DE FEUILLES DE PAPIER ABRASIF

Un porte-pièce en forme de losange emploie un système d'adhérence à crochet et à boucle pour fixer les feuilles de papier abrasif. Le porte-pièce autorise une utilisation tant sur de grandes surfaces plates que dans des espaces restreints ou dans des coins.

- Fixer le porte-pièce de ponçage comme le décrit la section « Installation et dépose des accessoires ».
- Aligner les bords de la feuille de papier abrasif sur le bord du porte-pièce de ponçage, puis presser la feuille sur le porte-pièce comme le montre la **figure 7**.
- Appuyer fermement la base, la feuille de papier abrasif y étant fixée, contre une surface plate, puis mettre l'outil brièvement en marche. Cela assure une bonne adhérence entre le porte-pièce et la feuille de papier abrasif et cela évite aussi une usure prématurée.
- Lorsque le bout de la feuille de papier abrasif devient usé, détacher la feuille du porte-pièce, effectuer une rotation de celle-ci et la reposer sur le porte-pièce.



FONCTIONNEMENT

DÉTENTE

⚠ MISE EN GARDE : Du fait que l'outil comporte un cadran de vitesses distinct pour le réglage de la vitesse (10 000 - 22 000 OPM), l'outil démarrera à la vitesse correspondant au réglage du cadran de vitesses. S'assurer que l'interrupteur est bien réglé à ARRÊT avant de brancher le cordon d'alimentation.

- Brancher le cordon d'alimentation.
- Pour mettre l'outil sous tension, le tenir comme le montre la **figure 8**, puis avancer l'interrupteur à glissière.
- Pour mettre l'outil hors tension, reculer l'interrupteur à glissière.



CADRAN DE VITESSES VARIABLES

Pour faire fonctionner l'outil, sélectionner le réglage souhaité avec le cadran de vitesses, illustré à la **figure 9**, puis avancer l'interrupteur MARCHE-ARRÊT en le glissant. Le réglage de vitesse peut être effectué que l'outil soit mis sous tension ou non.

⚠ MISE EN GARDE : Du fait que l'outil comporte un cadran de vitesses distinct pour le réglage de la vitesse (10 000 - 22 000 OPM), l'outil démarrera à la vitesse correspondant au réglage du cadran de vitesses. S'assurer que l'interrupteur est bien réglé à ARRÊT avant de brancher le cordon d'alimentation.

Les positions numérotées (1 à 6), qui sont inscrites sur le cadran de vitesses variables, n'indiquent pas de vitesses précises, mais constituent de bons points de référence. Plus le numéro est élevé, plus la vitesse de l'outil le sera aussi.



La vitesse approximative de chaque position est la suivante :

RÉGLAGE DE LA VITESSE	1	2	3	4	5	6
VITESSE APPROXIMATIVE	10 000	12 000	14 000	16 000	18 000	22 000

(Les oscillations par minute réelles de l'outil peuvent varier.)

S'assurer de sélectionner la bonne vitesse pour le fonctionnement de l'outil oscillant. En cas d'incertitude quant à la bonne vitesse de fonctionnement de l'outil, vérifier la performance à un réglage de vitesse bas, puis augmenter graduellement la vitesse jusqu'à ce qu'une vitesse suffisante soit atteinte.

SCIAGE EN PLONGÉE

⚠ AVERTISSEMENT : Tenir fermement la scie des deux mains pour toutes les opérations de coupe.

⚠ AVERTISSEMENT : Inspecter la zone de travail à la recherche de câblage électrique et de canalisations de gaz ou d'eau cachés avant d'effectuer des coupes sans visibilité ou en plongée. Négliger de suivre ces directives risque de provoquer une décharge électrique, un incendie, une explosion ou des dommages matériels.

⚠ AVERTISSEMENT : TOUJOURS porter des lunettes de sécurité. Les lunettes de vue ne constituent PAS des lunettes de sécurité. Utiliser également un masque protecteur ou anti-poussières si l'opération de coupe génère de la poussière. TOUJOURS PORTER UN EQUIPEMENT DE PROTECTION HOMOLOGUÉ.

⚠ AVERTISSEMENT : RISQUE DE COUPURE. Avant de couper tout matériau, s'assurer que ce dernier est bien ancré ou serré dans un étau pour éviter tout glissement.

⚠ AVERTISSEMENT : RISQUE DE COUPURE. Laisser l'outil fonctionner à son propre rythme. Ne pas surcharger, sinon la lame peut se briser.

POUR EFFECTUER UNE COUPE :

- Marquer clairement la zone à découper voulue.
- Allumer l'outil avant d'appliquer de la pression et engager lentement la lame dans la pièce à l'emplacement marqué comme le montre la **figure 13**.

⚠ AVERTISSEMENT : RISQUE DE COUPEURE. S'assurer que la lame ne touche pas la surface à couper avant le démarrage de la scie.

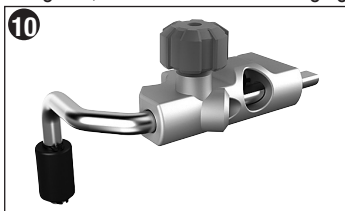
- Avancer la lame le long de la ligne de coupe jusqu'à ce que la coupe soit terminée. Ne pas forcer l'outil; laisser la lame couper à sa propre vitesse.
- Éteindre l'outil.

REMARQUE : Toujours utiliser le bon type de lame de scie pour le matériau à couper et le type de coupe à effectuer. Effectuer une coupe uniquement au moyen de lames affûtées. La coupe est plus nette, plus rapide et l'effort subi par le moteur est moindre durant la coupe

GUIDE DE PROFONDEUR DE COUPE

Cette caractéristique permet de couper exactement le matériau à une profondeur spécifiée.

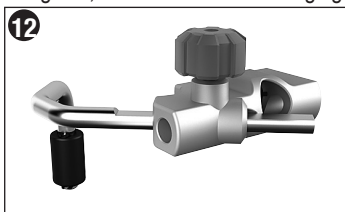
- Pour utiliser le guide de profondeur de coupe, insérer le guide comme le montre la **figure 10** dans la fente avant sur le corps du guide.
- Ajuster la longueur du guide en le tirant ou en le poussant pour obtenir la profondeur de coupe désirée comme le montre **figure 11**.
- Fixer le guide en place en tournant le bouton de réglage de profondeur/de coupe dans le sens horaire. Pour dégager le guide, tourner le bouton de réglage de profondeur/de coupe dans le sens antihoraire.



GUIDE DE COUPE

Cette caractéristique permet de suivre avec davantage de précision un trait de coupe marqué.

- Pour utiliser le guide de coupe, insérer le guide comme le montre la **figure 12** dans les fentes sur les côtés gauche et droit du corps du guide.
- Ajuster la longueur du guide en le tirant ou en le poussant pour obtenir la longueur désirée comme le montre **figure 13**.
- Fixer le guide en place en tournant le bouton de réglage de profondeur/de coupe dans le sens horaire. Pour dégager le guide, tourner le bouton de réglage de profondeur/de coupe dans le sens antihoraire.



PONÇAGE

⚠ AVERTISSEMENT : Risque d'incendie. Pour le travail effectué sur des surfaces métalliques, ne pas utiliser un aspirateur parce que des étincelles peuvent se produire. Porter des lunettes de sécurité et un masque anti-poussières. En raison du risque d'incendie, ne pas utiliser la ponceuse pour poncer des surfaces de magnésium. Ne pas utiliser pour ponçage à l'eau.

REMARQUE : Ne pas poser les doigts sur le porte-pièce en cours d'utilisation. Imprimer un large mouvement de balayage de part en part de la surface, en laissant l'outil faire son travail. Seule une légère pression est nécessaire au ponçage. Une pression excessive ralentira l'outil et produira des résultats inférieurs. Vérifier souvent le ponçage. En effet, le produit enlève rapidement la matière. Une force excessive réduira l'efficacité de fonctionnement et entraînera une surcharge du moteur. Un remplacement régulier de la feuille de papier abrasif maintiendra une efficacité de travail optimale.

REMARQUE : Toujours s'assurer que la pièce est bien tenue ou serrée pour éviter son déplacement. Tout déplacement de la pièce peut compromettre la qualité du fini de ponçage.

CONSEILS PRATIQUES

- Toujours s'assurer que la pièce est bien tenue ou serrée pour éviter son déplacement. Tout déplacement de la pièce peut compromettre la qualité de coupe ou le fini de ponçage.
- Ne pas commencer le ponçage si le papier abrasif n'est pas fixé au porte-pièce de ponçage.
- Utiliser du papier à grains grossiers pour poncer les surfaces rugueuses, du papier à grains moyens pour les surfaces lisses et du papier à grains fins pour la finition. Si nécessaire, effectuer d'abord un essai sur une pièce de chute.
- Une force excessive réduira l'efficacité de fonctionnement et entraînera une surcharge du moteur. Un remplacement régulier de l'accessoire maintiendra une efficacité de travail optimale.
- Ne pas laisser le papier abrasif s'user complètement, car il endommagera le patin de ponçage.
- Si l'outil surchauffe, surtout lorsqu'il est utilisé à basse vitesse, régler la vitesse à la position maximale et le faire fonctionner sans charge durant 2 à 3 minutes pour refroidir le moteur. Éviter une utilisation prolongée à très basse vitesse. Toujours maintenir la lame affûtée.

ENTRETIEN

⚠ MISE EN GARDE : Ne jamais utiliser de solvants ni d'autres produits chimiques durs pour nettoyer les pièces non métalliques de l'outil.

N'utiliser qu'un détergent doux et un chiffon humide pour nettoyer l'appareil. Ne jamais laisser de liquide pénétrer dans l'appareil et n'immerger aucune partie de l'appareil dans un liquide.

DÉPANNAGE

Problème

- L'appareil refuse de démarrer.

Cause possible

- Cordon d'alimentation non branché.
- Le fusible du circuit est grillé.

Solution possible

- Brancher l'outil dans une prise qui fonctionne.
- Remplacer le fusible du circuit. (Si le produit fait griller de façon répétée le fusible du circuit, arrêter immédiatement d'utiliser le produit et le faire réparer dans un centre de réparation Porter Cable ou un centre de réparation autorisé.)
- Remettre le disjoncteur à zéro. (Si le produit fait déclencher de façon répétée le disjoncteur, arrêter immédiatement d'utiliser le produit et le faire réparer dans un centre de réparation Porter Cable ou un centre de réparation autorisé.)
- Faire remplacer le cordon ou l'interrupteur au centre de réparation Porter Cable ou à un centre de réparation autorisé.

- Le disjoncteur est déclenché.

- Le cordon d'alimentation ou la prise de courant est endommagé(e).

Pour de l'aide avec l'outil, consulter notre site Web www.portercable.com pour l'emplacement du centre de réparation le plus près ou communiquer avec l'assistance Porter Cable au **(888)848-5175**.

PIÈCES DE RECHANGE

Utiliser seulement des pièces de rechange identiques. Pour obtenir une liste des pièces de rechange ou pour en commander, consulter le site Web www.portercable.com. Il est également possible de commander des pièces au centre de réparation de l'usine PORTER-CABLE et au centre de réparation sous garantie autorisé PORTER-CABLE le plus près. Ou composer le 1-888-848-5175 pour le service à la clientèle.

ENTRETIEN ET RÉPARATION

Ce produit n'est pas réparable par l'utilisateur. Aucune pièce à l'intérieur du chargeur ne peut être réparée par l'utilisateur. Pour éviter tout dommage aux composants internes sensibles à l'électricité statique, faire effectuer toute réparation par un centre de réparation autorisé. Pour de plus amples renseignements à propos de PORTER-CABLE, ses centres de réparation en usine ou ses centres de réparation sous garantie autorisés, visiter notre site Web au www.portercable.com ou communiquer avec notre centre de service à la clientèle en composant le 888-848-5175. Toutes les réparations effectuées dans nos centres de réparation sont entièrement garanties contre les défauts de matériaux et de main-d'oeuvre. Nous ne pouvons pas garantir les réparations effectuées en partie ou totalement par d'autres.

Pour de plus amples renseignements par courrier, écrire à PORTER-CABLE, 4825 Highway 45 North, Jackson, Tennessee 38305, (888) 848-5175, É.-U. - à l'attention de : Product Service. S'assurer d'indiquer toutes les informations figurant sur la plaque signalétique de l'outil (numéro du modèle, type, numéro de série, etc.). Cet appareil numérique de la classe B est conforme à la norme NMB-003 du Canada.

Cet appareil est conforme aux dispositions du paragraphe 15 des règlements de la FCC. Son fonctionnement est régi par les deux conditions suivantes : (1) Cet appareil ne peut pas causer d'interférence nuisible et (2) cet appareil doit accepter toutes les interférences reçues, y compris celles qui risquent d'en gêner le fonctionnement.

REMARQUE : ce matériel a été testé et a été déclaré conforme aux limites en vigueur concernant les dispositifs numériques de classe B, en vertu de la partie 15 de la réglementation FCC. Ces limites visent à assurer une protection raisonnable contre tout brouillage nuisible dans une installation résidentielle. Ce matériel produit, consomme et peut émettre une énergie de radiofréquence et, s'il n'est pas installé et utilisé conformément aux directives qui l'accompagnent, il peut entraîner un brouillage nuisible des communications radio. Cependant, nous ne garantissons pas l'absence de brouillage dans tous les types d'environnement. Si, après avoir effectué une vérification en mettant l'appareil hors tension puis sous tension, l'utilisateur s'aperçoit que ce matériel provoque un brouillage nuisible à la réception des signaux de radio ou de télévision, il lui faudra essayer de corriger ce brouillage en prenant une ou plusieurs des mesures ci-dessous :

- Réorienter ou repositionner l'antenne de réception.
- Éloigner le plus possible le matériel du récepteur.
- Brancher le matériel dans une prise électrique située sur un circuit différent de celui du récepteur.
- Consulter le distributeur ou un technicien radio/télévision expérimenté pour obtenir de l'aide.

Tout changement ou toute modification à cet appareil qui n'est pas expressément approuvé par l'institution responsable de la conformité peut faire annuler le droit de l'utilisateur d'utiliser ce matériel. Cet appareil numérique de la classe B est conforme à la norme NMB-003 du Canada.

ACCESSOIRES

⚠ AVERTISSEMENT : Puisque les accessoires autres que ceux offerts avec un assemblage Universal Fitment^{MC} de DeWalt^{MD} n'ont pas été testés avec ce produit, l'utilisation de ceux-ci avec l'outil pourrait s'avérer dangereuse. Pour réduire le risque de blessures, utiliser exclusivement les accessoires PORTER-CABLE recommandés avec le produit.

GARANTIE LIMITÉE DE TROIS ANS

PORTER-CABLE réparera ou remplacera gratuitement tous les outils défectueux présentant des défauts de matériau ou de fabrication pendant trois ans à compter de la date d'achat [garantie de deux ans pour les blocs-piles]. Cette garantie ne couvre pas des défaillances de pièce dues à une usure normale ou à une mauvaise utilisation de l'outil. Pour plus de détails relatifs à la couverture de la garantie et aux réparations sous garantie, visiter le site www.portercable.com ou composer le 888-848-5175. Cette garantie ne s'applique pas aux accessoires ni aux dommages causés par des réparations

réalisées ou tentées par des tiers. Cette garantie vous accorde des droits légaux spécifiques et il est possible que vous ayez d'autres droits qui varient d'un État ou d'une province à l'autre.

En plus de la garantie, les outils PORTER-CABLE sont couverts par notre :

SERVICE D'ENTRETIEN GRATUIT D'UN (1) AN : PORTER-CABLE entretiendra l'outil et remplacera les pièces usées par une utilisation normale, et ce, gratuitement et à tout instant pendant la première année à compter de la date d'achat.

GARANTIE DE REMBOURSEMENT DE 90 JOURS : Si l'utilisateur n'est pas entièrement satisfait des performances de son outil électrique PORTER-CABLE pour une raison quelconque, il peut le retourner accompagné du reçu dans les 90 jours suivant la date d'achat, et nous le lui rembourserons entièrement - sans poser de question.

AMÉRIQUE LATINE : cette garantie ne s'applique pas aux produits vendus en Amérique latine. Pour ceux-ci, veuillez consulter les informations relatives à la garantie spécifique présente dans l'emballage, appeler l'entreprise locale ou consulter le site Web pour les informations relatives à cette garantie.

Pour enregistrer l'outil en vue d'obtenir un service de garantie, consulter notre site Web au www.portercable.com.

REMPACEMENT DES ÉTIQUETTES D'AVERTISSEMENT

Si vos étiquettes d'avertissement sont illisibles ou manquantes, contactez le 888-848-5175 pour en obtenir le remplacement gratuit.

Les éléments ci-dessous sont des marques de commerce des outils et des accessoires de PORTER-CABLE : un agencement de couleurs grise et noire; un motif d' « étoile à quatre pointes » et trois bandes longitudinales contrastantes/à contours. Les marques suivantes sont également des marques de commerce se rapportant à un ou plusieurs produits PORTER-CABLE ou Delta : 2 BY 4®, 890™, Air America®, AIRBOSS™, Auto-Set®, B.O.S.S.®, Bammer®, Biesemeyer®, Builders Saw®, Charge Air®, Charge Air Pro®, CONTRACTOR SUPERDUTY®, Contractor's Saw®, Delta®, DELTA®, Delta Industrial®, DELTA MACHINERY & DESIGN™, Delta Shopmaster and Design®, Delta X5®, Deltacraft®, DELTAGRAM®, Do It. Feel It.®, DUAL LASERLOC AND DESIGN®, EASY AIR®, EASY AIR TO GO™, ENDURADIAMOND®, Ex-Cell®, Front Bevel Lock®, Get Yours While the Sun Shines®, Grip to Fit®, GRIPVAC™, GTF®, HICKORY WOODWORKING®, Homecraft®, HP FRAMER HIGH PRESSURE®, IMPACT SERIES™, Innovation That Works®, Jet-Lock®, Job Boss®, Kickstand®, LASERLOC®, LONG-LASTING WORK LIFE®, MAX FORCE™, MAX LIFE®, Micro-Set®, Midi-Lathe®, Monsoon®, MONSTER-CARBIDE™, Network®, OLDHAM®, Omnijig®, PC EDGE®, Performance Crew™, Performance Gear®, Pocket Cutter®, Porta-Band®, Porta-Plane®, PORTER-CABLE®, PORTER-CABLE Professional Power Tools®, Powerback®, POZI-STOP™, Pressure Wave®, PRO 4000®, Proair®, Quicksand and Design®, Quickset II®, QUIET DRIVE TECHNOLOGY™, QUIET DRIVE TECHNOLOGY AND DESIGN™, Quik-Change®, QUIK-TILT®, RAPID-RELEASE™, RAZOR®, Redefining Performance®, Riptide®, Safe Guard II®, Sand Trap and Design®, Sanding Center®, Saw Boss®, Shop Boss®, Sidekick®, Site Boss®, Speed-Bloc®, Speedmatic®, Stair Ease®, Steel Driver Series®, SUPERDUTY®, T4 & DESIGN®, THE AMERICAN WOODSHOP®, THE PROFESSIONAL EDGE®, Thin-Line®, Tiger Saw®, TIGERCLAW®, TIGERCLAW AND DESIGN®, Torq-Buster®, TRU-MATCH®, T-Square®, Twinlaser®, Unifence®, Uniguard®, UNIRIP®, UNISAW®, UNITED STATES SAW®, Veri-Set®, Versa-Feeder®, VIPER®, VT™, VT RAZOR™, Water Driver®, WATER VROOM®, Waveform®, Whisper Series®, X5®, YOUR ACHIEVEMENT. OUR TOOLS.® Les marques de commerce suivies du symbole ® sont enregistrées auprès du United States Patent and Trademark Office et peuvent être enregistrées dans d'autres pays. D'autres marques de commerce peuvent également être applicables.

PORTER  CABLE

4825 Highway 45 North,
Jackson, Tennessee 38305,
(888) 848-5175
www.portercable.com

PORTER CABLE®

Multiherramienta oscilante de 3,0 Amperios



Manual de instrucciones

www.portercable.com

Gracias por elegir PORTER-CABLE usted! Para registrar su nuevo producto, visite: [www.portercable.com / ServiceAndSupport / ProductRegistration.aspx](http://www.portercable.com/ServiceAndSupport/ProductRegistration.aspx)

INSTRUCTIVO DE OPERACIÓN, CENTROS DE SERVICIO Y PÓLIZA DE GARANTÍA.

 **ADVERTENCIA:** LÉASE ESTE INSTRUCTIVO ANTES DE USAR EL PRODUCTO.

CATÁLOGO N°
PCE605
PCE606

PAUTAS DE SEGURIDAD/DEFINICIONES

Es importante que lea y comprenda este manual. La información que contiene se relaciona con la protección de SU SEGURIDAD y la PREVENCIÓN DE PROBLEMAS. Los símbolos que siguen se utilizan para ayudarlo a reconocer esta información.

⚠ PELIGRO: indica una situación de peligro inminente que, si no se evita, provocará la muerte o lesiones graves.

⚠ ADVERTENCIA: indica una situación de peligro potencial que, si no se evita, provocará la muerte o lesiones graves.

⚠ PRECAUCIÓN: indica una situación de peligro potencial que, si no se evita, provocará lesiones leves o moderadas.

PRECAUCIÓN: utilizado sin el símbolo de alerta de seguridad indica una situación de peligro potencial que, si no se evita, puede provocar daños en la propiedad.

ADVERTENCIAS GENERALES DE SEGURIDAD PARA HERRAMIENTAS ELÉCTRICAS

⚠ ADVERTENCIA: Lea todas las advertencias de seguridad e instrucciones. El incumplimiento de las advertencias e instrucciones puede provocar descargas eléctricas, incendios o lesiones graves.

CONSERVE TODAS LAS ADVERTENCIAS E INSTRUCCIONES PARA FUTURAS CONSULTAS.

El término “herramienta eléctrica” incluido en las advertencias hace referencia a las herramientas eléctricas operadas con corriente (con cable eléctrico) o a las herramientas eléctricas operadas con baterías (inalámbricas).

1) Seguridad en el área de trabajo

- Mantenga el área de trabajo limpia y bien iluminada.** *Las áreas abarrotadas y oscuras propician accidentes.*
- No opere herramientas eléctricas en atmósferas explosivas, como ambientes donde se encuentran líquidos, gases o polvo inflamables.** *Las herramientas eléctricas originan chispas que pueden encender el polvo o los vapores.*
- Mantenga a los niños y espectadores alejados de la herramienta eléctrica en funcionamiento.** *Las distracciones pueden provocar la pérdida de control.*

2) Seguridad eléctrica

- Los enchufes de la herramienta eléctrica deben adaptarse al tomacorriente. Nunca modifique el enchufe de ninguna manera. No utilice ningún enchufe adaptador con herramientas eléctricas con conexión a tierra.** *Los enchufes no modificados y que se adaptan a los tomacorrientes reducirán el riesgo de descarga eléctrica.*
- Evite el contacto corporal con superficies puestas a tierra, como por ejemplo tuberías, radiadores, rangos y refrigeradores.** *Existe mayor riesgo de descarga eléctrica si su cuerpo está puesto a tierra.*
- No exponga las herramientas eléctricas a la lluvia o a condiciones de humedad.** *Si ingresa agua a una herramienta eléctrica, aumentará el riesgo de descarga eléctrica.*
- No maltrate al cable. Nunca utilice el cable para transportar, tirar o desenchufar la herramienta eléctrica. Mantenga el cable lejos del calor, aceite, bordes afilados o piezas móviles.** *Los cables dañados o enredados aumentan el riesgo de descarga eléctrica.*
- Al operar una herramienta eléctrica en el exterior, utilice un cable prolongador adecuado para tal uso.** *Utilice un cable adecuado para uso en exteriores a fin de reducir el riesgo de descarga eléctrica.*
- Si el uso de una herramienta eléctrica en un lugar húmedo es imposible de evitar, utilice un suministro protegido con un interruptor de circuito por falla a tierra (GFCI).** *El uso de un GFCI reduce el riesgo de descargas eléctricas.*

3) Seguridad personal

- Permanezca alerta, controle lo que está haciendo y utilice el sentido común cuando emplee una herramienta eléctrica.** *No utilice una herramienta eléctrica si está cansado o bajo el efecto de drogas, alcohol o medicamentos. Un momento de descuido mientras se opera una herramienta eléctrica puede provocar lesiones personales graves.*
- Utilice equipos de protección personal. Siempre utilice protección para los ojos.** *En las condiciones adecuadas, el uso de equipos de protección, como máscaras para polvo, calzado de seguridad antideslizante, cascos o protección auditiva, reducirá las lesiones personales.*

- c) Evite el encendido por accidente. Asegúrese de que el interruptor esté en la posición de apagado antes de conectarlo a la fuente de energía o paquete de baterías, o antes de levantar o transportar la herramienta. *Transportar herramientas eléctricas con el dedo apoyado en el interruptor o enchufar herramientas eléctricas con el interruptor en la posición de encendido puede propiciar accidentes.*
 - d) Retire las clavijas de ajuste o llaves de tuercas antes de encender la herramienta eléctrica. *Una llave de tuercas o una clavija de ajuste que se deje conectada a una pieza giratoria de la herramienta eléctrica pueden provocar lesiones personales.*
 - e) No se estire. Conserve el equilibrio adecuado y manténgase parado correctamente en todo momento. *Esto permite un mejor control de la herramienta eléctrica en situaciones inesperadas.*
 - f) Use la vestimenta adecuada. No use ropas holgadas ni joyas. Mantenga el cabello, la ropa y los guantes alejados de las piezas en movimiento. *Las ropas holgadas, las joyas o el cabello largo pueden quedar atrapados en las piezas en movimiento.*
 - g) Si se suministran dispositivos para la conexión de accesorios con fines de recolección y extracción de polvo, asegúrese de que estén conectados y que se utilicen correctamente. *El uso de dispositivos de recolección de polvo puede reducir los peligros relacionados con el polvo.*
- 4) **Uso y mantenimiento de la herramienta eléctrica**
- a) No fuerce la herramienta eléctrica. Utilice la herramienta eléctrica correcta para el trabajo que realizará. *La herramienta eléctrica correcta hará el trabajo mejor y más seguro a la velocidad para la que fue diseñada.*
 - b) No utilice la herramienta eléctrica si no puede encenderla o apagarla con el interruptor. *Toda herramienta eléctrica que no puede ser controlada mediante el interruptor es peligrosa y debe ser reparada.*
 - c) Desconecte el enchufe de la fuente de energía y/o el paquete de baterías de la herramienta eléctrica antes de realizar ajustes, cambiar accesorios o almacenar herramientas eléctricas. *Estas medidas de seguridad preventivas reducen el riesgo de encender la herramienta eléctrica en forma accidental.*
 - d) Guarde las herramientas eléctricas que no están en uso fuera del alcance de los niños y no permite que otras personas no familiarizadas con ella o con estas instrucciones operen la herramienta. *Las herramientas eléctricas son peligrosas en las manos de usuarios no entrenados.*
 - e) Mantenimiento de las herramientas eléctricas. Controle que no haya piezas móviles mal alineadas o trabadas, piezas rotas y toda otra situación que pueda afectar el funcionamiento de las herramientas eléctricas. Si encuentra daños, haga reparar la herramienta eléctrica antes de utilizarla. *Se producen muchos accidentes a causa de las herramientas eléctricas que carecen de un mantenimiento adecuado.*
 - f) Mantenga las herramientas de corte afiladas y limpias. *Las herramientas de corte con mantenimiento adecuado, con los bordes de corte afilados son menos propensas a trabarse y son más fáciles de controlar.*
 - g) Utilice la herramienta eléctrica, los accesorios y las brocas de la herramienta, etc. de acuerdo con estas instrucciones y teniendo en cuenta las condiciones de trabajo y el trabajo que debe realizarse. *El uso de la herramienta eléctrica para operaciones diferentes de aquéllas para las que fue diseñada podría originar una situación peligrosa.*
- 5) **Mantenimiento**
- a) Haga que una persona de reparaciones calificada realice el mantenimiento de su herramienta eléctrica y utilice piezas de repuesto idénticas solamente. *Esto garantizará la seguridad de la herramienta eléctrica.*

NORMAS DE SEGURIDAD ESPECÍFICAS

- Al realizar una operación en la que el accesorio de corte pueda tocar cables eléctricos ocultos o su propio cable, sostenga la herramienta eléctrica por las superficies de agarre aisladas. *El contacto del accesorio de corte con un cable con corriente eléctrica puede provocar que las partes metálicas expuestas de la herramienta eléctrica también conduzcan la corriente y que el operador sufra una descarga eléctrica.*
- Utilice abrazaderas u otra forma práctica para asegurar y sostener la pieza de trabajo en una plataforma estable. *Sostener la pieza de trabajo con la mano o contra su cuerpo provoca inestabilidad y puede llevar a la pérdida del control.*
- Desconecte la alimentación antes de utilizar la herramienta cerca de cables con corriente eléctrica o en lugares donde pueda haber cables eléctricos ocultos. El contacto del accesorio de corte con un cable con corriente eléctrica puede provocar que las partes metálicas expuestas de la herramienta eléctrica también conduzcan la corriente y que el operador sufra una descarga eléctrica. Siempre verifique si hay cables eléctricos ocultos, tuberías de gas u otros servicios públicos antes de efectuar operaciones de corte o eliminación con la herramienta.

- **Espere hasta que la cuchilla se detenga antes de depositar la herramienta sobre una superficie.** Una cuchilla expuesta puede entrar en contacto con la superficie y llevar a una posible pérdida de control y lesiones graves.
- **No opere esta herramienta durante períodos prolongados.** La vibración que produce el funcionamiento de esta herramienta puede provocar lesiones permanentes en dedos, manos y brazos. Utilice guantes para brindar amortiguación adicional, tome descansos frecuentes y limite el tiempo diario de uso.
- **Siempre sostenga la herramienta firmemente con ambas manos para lograr el máximo control.** Conserve el equilibrio y párese adecuadamente en todo momento. Esto permite un mejor control de la herramienta eléctrica en situaciones inesperadas.
- **No reinicie la operación de corte en la pieza de trabajo.** Espere hasta que la herramienta alcance la velocidad máxima y vuelva a introducirla cuidadosamente en el corte.
- **No “atasque” la hoja de la sierra de corte ni aplique presión excesiva.** No intente realizar una profundidad de corte excesiva.
- **Mantenga las manos lejos del área de corte.** No introduzca ninguna parte del cuerpo debajo del material que está cortando.
- **No utilice hojas sin filo o dañadas.** Una hoja doblada puede romperse fácilmente o provocar un retroceso. Sea extremadamente cuidadoso cuando manipule los accesorios. Los accesorios son muy filosos. Use guantes de protección cuando cambie accesorios de corte. Los accesorios pueden calentarse después de un uso prolongado.
- **Antes de raspar, revise si hay clavos en la pieza de trabajo.** Si hay clavos, extráigalos o asíntelos muy por debajo de la superficie acabada planificada. Si se golpea un clavo con el borde del accesorio, puede causar que la herramienta salte.
- **No lije en húmedo con esta herramienta.** La entrada de líquidos en la caja del motor representa un peligro de descarga eléctrica.
- **Nunca trabaje en un área empapada con un líquido, como un solvente o agua, ni humedecida como un empapelado recién aplicado.** Existe el peligro de una descarga eléctrica cuando se trabaja en dichas condiciones con una herramienta eléctrica y el calentamiento del líquido causado por la acción de raspado puede hacer que la pieza de trabajo emita vapores perjudiciales.
- **No utilice papel de lija diseñado para almohadillas de lijado más grandes.** El papel de lija más grande puede sobresalir de la almohadilla de lijado y provocar atascamiento, rotura del papel o retroceso. Si sobresale papel adicional de la almohadilla de lijado, también puede causar laceraciones graves.

⚠ ADVERTENCIA: USE SIEMPRE LENTES DE SEGURIDAD. Los anteojos de uso diario NO son lentes de seguridad. Utilice también máscaras faciales o para polvo si el corte produce polvillo. **UTILICE SIEMPRE EQUIPOS DE SEGURIDAD CERTIFICADOS:**

- Protección para los ojos según la norma ANSI Z87.1 (CAN/CSA Z94.3)
- Protección auditiva según la norma ANSI S12.6 (S3.19)
- Protección respiratoria según las normas NIOSH/OSHA/MSHA

⚠ ADVERTENCIA: parte del polvo producido por las herramientas eléctricas al lijar, aserrar, esmerilar, taladrar y realizar otras actividades de la construcción, contiene productos químicos reconocidos por el Estado de California como causantes de cáncer, defectos de nacimiento u otros problemas reproductivos. Algunos de estos productos químicos son:

- el plomo de las pinturas de base plomo,
- la sílice cristalina de ladrillos, el cemento y otros productos de mampostería, y
- el arsénico y el cromo de la madera con tratamiento químico.

El riesgo derivado de estas exposiciones varía según la frecuencia con la que se realice este tipo de trabajo. Para reducir la exposición a estos productos químicos: trabaje en áreas bien ventiladas y trabaje con equipos de seguridad aprobados, como las máscaras para polvo especialmente diseñadas para filtrar las partículas microscópicas.

• Evite el contacto prolongado con el polvo procedente del lijado, serrado, esmerilado y taladrado eléctricos, así como de otras actividades del sector de la construcción. Lleve ropa protectora y lave con agua y jabón las zonas expuestas. Si permite que el polvo se introduzca en la boca u ojos o quede sobre la piel, puede favorecer la absorción de productos químicos peligrosos.

⚠ ADVERTENCIA: El uso de esta herramienta puede generar o dispersar polvo lo cual puede causar lesiones respiratorias serias y permanentes y otros tipos de lesión. Siempre use protección respiratoria aprobada por NIOSH/OSHA para la exposición al polvo. Dirija las partículas en dirección opuesta a su cara y cuerpo.

⚠ ADVERTENCIA: Durante el uso, utilice siempre protección auditiva adecuada que cumpla con la norma ANSI S12.6 (S3.19). En ciertas circunstancias y según el período de uso, el ruido de este producto puede contribuir a la pérdida de audición.

PRECAUCIONES QUE DEBE TENER EN CUENTA AL LIJAR PINTURA

1. NO SE RECOMIENDA el lijado de pinturas con base de plomo debido a la dificultad para

controlar el polvo contaminado. El mayor peligro de envenenamiento por plomo es para niños y mujeres embarazadas.

2. Ya que es difícil identificar si una pintura contiene plomo o no sin efectuar un análisis químico, recomendamos que tenga en cuenta las siguientes precauciones cuando lije cualquier tipo de pintura:

SEGURIDAD PERSONAL

1. No permita que entren al área de trabajo niños ni mujeres embarazadas cuando lije pintura hasta que haya terminado de asear el lugar.
2. Se recomienda el uso de máscaras o respiradores para todas las personas que entren al área de trabajo. El filtro se debe reemplazar diariamente o cuando el usuario tenga dificultad para respirar. Vea a su distribuidor de herramienta local para conseguir la máscara adecuada.
3. NO COMA, BEBA O FUME en la zona de trabajo para evitar ingerir partículas de pintura contaminadas. Los usuarios deberán lavarse y limpiarse ANTES de comer, beber o fumar. No deben dejarse artículos para comer beber o fumar en el área de trabajo donde el polvo se asentaría en ellos.

SEGURIDAD AMBIENTAL

1. La pintura debe removerse de tal manera que se minimice la cantidad generada de polvo.
2. Se deben sellar las áreas en que se remueve pintura con láminas de plástico de 4 mils. de espesor.
3. El lijado debe hacerse en tal forma que se reduzca el desalojo de pintura fuera de la zona de trabajo.

LIMPIEZA Y DESECHO

1. Todas las superficies en el área de trabajo deben ser aspiradas y limpiadas a conciencia diariamente el tiempo que dure el proyecto de lijado. Las bolsas filtro de las aspiradoras deben cambiarse frecuentemente.
2. Las láminas de plástico deben recogerse y desecharse con cualquier resto de pintura. Deben depositarse en receptáculos sellados y deben desecharse a través de los procedimientos de recolección de basura normales. Durante la limpieza, niños y mujeres embarazadas deben permanecer alejados de la zona de trabajo inmediata.
3. Todo tipo de juguetes, mobiliario lavable y utensilios usados por niños deben lavarse a conciencia antes de volver a utilizarse.

SÍMBOLOS

- La etiqueta de su herramienta puede incluir los siguientes símbolos. Los símbolos y sus definiciones son los siguientes:

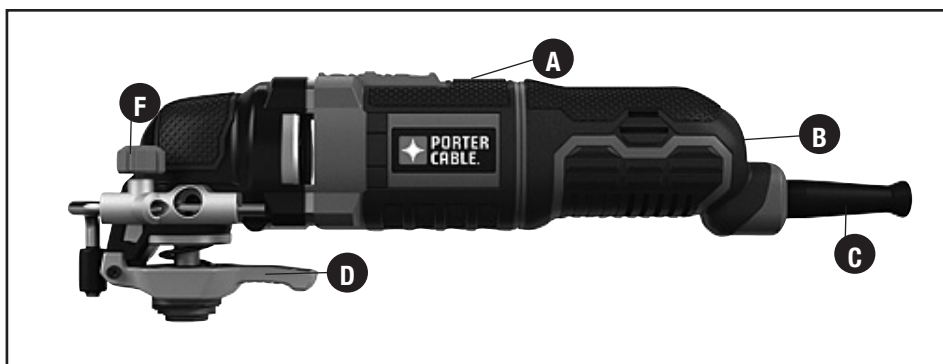
V..... voltios	A.....amperios
Hz.....hertz	W.....vatios
min.....minutos	~ o AC.....corriente alterna
== o DC..... corriente directa	nono velocidad sin carga
⚠..... Construcción Clase I (mis à la terre)	⊕.....terminal a tierra
⊠..... Construcción de clase II	⚠..... simbolo de alerta
.../min.....revoluciones o minuto seguridad	📖..... Lea el manual de instrucciones antes del uso
👤..... Use protección adecuada para las vías respiratorias	
👁..... Use protección adecuada para los ojos	
👂..... Use protección adecuada para los oídos	

- Cuando use un alargador, asegúrese de usar uno de un calibre suficiente como para cargar con la corriente que requerirá su producto. Un alargador de menor calibre causará una caída en el voltaje de la línea lo que resultará en pérdida de potencia y sobrecalentamiento. El siguiente cuadro muestra el tamaño correcto a utilizar, dependiendo del largo del cable y el amperaje nominal. En caso de duda, utilice el de mayor calibre.

Volts	Calibre mínimo para cables de extensión			
	Longitud total del cable en pies			
120V	0-25	26-50	51-100	101-150
	(0-7,6m)	(7,6-15,2m)	(15,2-30,4m)	(30,4-45,7m)
240V	0-50	51-100	101-200	201-300
	(0-15,2m)	(15,2-30,4m)	(30,4-60,9m)	(60,9-91,4m)
Amperaje	Más de	No más de	American Wire Gage	
	0 - 6	18	16	16
6 - 10	18	16	14	12
10 - 12	16	16	14	12
12 - 16	14	12	No se recomienda	

Mientras menor el número del calibre, mayor la capacidad del cable.

CONSERVE ESTAS INSTRUCCIONES



COMPONENTES

A.) Interruptor de encendido/apagado

B.) Dial de velocidad variable

C.) Cable de 1,83 m (6 pies)

D.) Abrazadera para accesorios sin herramientas

E.) Guía de profundidad/corte*

F.) Perilla de ajuste de profundidad/corte*

* Incluido con sólo PCE605K.

USO PREVISTO

Lijado de detalles finos

Lijado en áreas extremadamente estrechas o que son difíciles de alcanzar y requieren lijado a mano. Seleccione una alta frecuencia de oscilaciones. Lije con un movimiento continuo y una presión leve. La aplicación de una presión excesiva no incrementa la eliminación de material; en cambio, desgastará prematuramente las hojas de lija.

Corte al ras

Elimine el exceso de madera del marco de una puerta, un fondo de ventana y/o un tope de pie. Eliminación de exceso de tubería de cobre o PVC.

Trabajo de eliminación

Alfombras y refuerzos, adhesivos de baldosas antiguas, enmasillado en mampostería, madera y otras superficies.

Eliminación de exceso de material

Lechada de baldosas, yeso, salpicaduras de argamasa, hormigón en baldosas, umbrales

Preparación de superficies

Nuevos pisos y baldosas.

ENSAMBLAJE

⚠ ADVERTENCIA: Desconecte el enchufe de la fuente de alimentación antes de realizar cualquier ensamblaje, ajuste o cambio de accesorios. Estas medidas de seguridad preventivas reducen el riesgo de encender la herramienta en forma accidental.

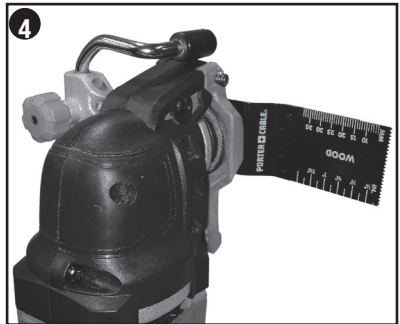
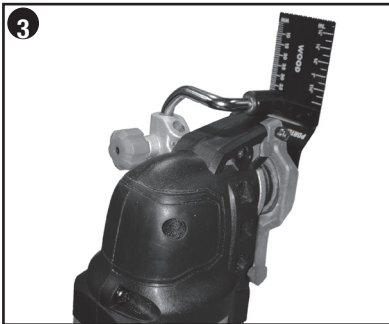
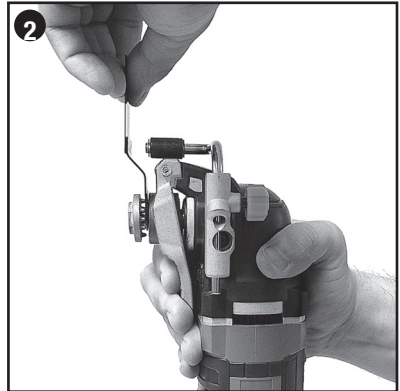
⚠ ADVERTENCIA: **Riesgo de laceraciones o quemaduras.** No toque la pieza de trabajo ni la hoja inmediatamente después de operar la herramienta. Pueden estar muy calientes. Manéjelas con cuidado. Siempre espere a que los accesorios y la pieza de trabajo se enfríen antes de manipularlos.

⚠ PRECAUCIÓN: Esta multiherramienta es compatible solo con accesorios DeWalt® Universal Fitment™ y no es compatible con otros accesorios Porter-Cable.

INSTALACIÓN/EXTRACCIÓN DE ACCESORIOS

La herramienta cuenta con un exclusivo sistema de cambio de accesorios sin herramientas. Esto permite cambios de accesorios más rápidos sin la necesidad de otros sistemas de herramientas oscilantes.

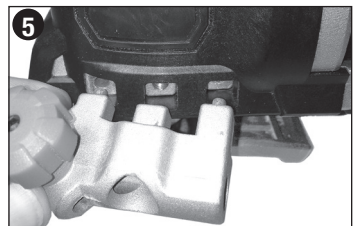
- Sostenga la herramienta y oprima la palanca de sujeción de accesorios como se muestra en la **Figura 2**.
- Limpie todo residuo del eje de la herramienta y el sujetador de accesorios.
- Deslice el accesorio entre el eje y el sujetador de accesorios asegurándose de que el accesorio se acople con las ocho clavijas del sujetador y esté al ras con el eje **Figura 3**.
- Suelte la palanca de sujeción de accesorios.
- Si se requiere, algunos accesorios, como rascadores y hojas, se pueden montar a un determinado ángulo como se muestra en la **Figura 4**.



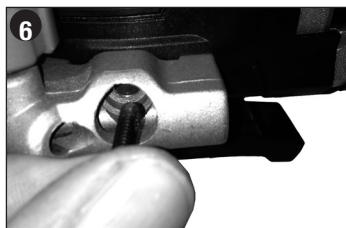
INSTALACIÓN/EXTRACCIÓN DE LA GUÍA DE PROFUNDIDAD/CORTE

La guía de profundidad/corte le permite cortar material con precisión a una profundidad específica y seguir con mayor exactitud una línea de corte marcada.

- Instale la guía de profundidad/corte insertando las lengüetas de esta en las ranuras del cuerpo principal de la herramienta como se muestra en la **figura 5**.



- Asegure la guía al cuerpo principal con el tornillo provisto y ajústelo con la llave hexagonal provista como se muestra en la **figura 6**.



INSTALACIÓN/EXTRACCIÓN DE LAS HOJAS DE LIJADO

Una platina con forma de diamante utiliza un sistema de adherencia tipo velcro para instalar las hojas de lijado. La platina le permite un uso sobre grandes superficies planas y zonas estrechas o esquinas.

• Instale la platina de lijado como se describe en “Instalación/Extracción de accesorios”.

• Alinee los bordes de la hoja de lija con el borde de la platina de lijado y oprima la hoja de lija sobre la platina como se muestra en la **Figura 7**.

• Oprima firmemente la base con la hoja de lija instalada contra una superficie plana y encienda la herramienta momentáneamente. Esto proporciona una buena adherencia entre la platina y la hoja de lija, y también contribuye a evitar el desgaste prematuro.

• Cuando la punta de la hoja de lija se desgaste, despréndala de la platina, gírela y vuelva a colocarla.



OPERACIÓN

INTERRUPTOR

⚠ PRECAUCIÓN: Debido a que la herramienta posee un dial de velocidad separado para ajustar la velocidad (10.000 a 22.000 OPM), la herramienta se pondrá en marcha a la velocidad en la que está ajustado el dial de velocidad. Asegúrese de que el interruptor esté completamente apagado antes de enchufar el cable de alimentación.

• Enchufe el cable de alimentación.
• Para encender la herramienta, sosténgala como se muestra en la

Figura 8 y empuje el interruptor deslizante hacia adelante.

• Para apagar la herramienta, empuje el interruptor deslizante hacia atrás.

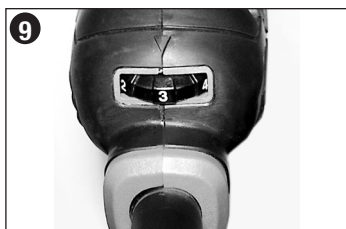


DIAL DE VELOCIDAD VARIABLE

Para operar la herramienta, seleccione el ajuste de velocidad que desea con el dial de velocidad, como se muestra en la **Figura 9**, y deslice el interruptor de encendido/apagado hacia adelante. El ajuste de velocidad se puede regular con la herramienta encendida o apagada.

⚠ PRECAUCIÓN: Debido a que la herramienta posee un dial de velocidad separado para ajustar la velocidad (10.000 a 22.000 OPM), la herramienta se pondrá en marcha a la velocidad en la que está ajustado el dial de velocidad. Asegúrese de que el interruptor esté completamente

apagado antes de enchufar el cable de alimentación. Las posiciones con la inscripción de los números del 1 al 6 sobre el dial de velocidad variable no indican ninguna velocidad determinada sino que representan buenos puntos de referencia. Mientras más alto es el número, mayor es la velocidad de la herramienta.



La velocidad aproximada de cada ajuste es:

AJUSTE DE VELOCIDAD	1	2	3	4	5	6
VELOCIDAD APROXIMADA	10.000	12.000	14.000	16.000	18.000	22.000

(Las OPM reales de la herramienta pueden variar).

Asegúrese de seleccionar la velocidad adecuada para su operación con la herramienta oscilante. Si tiene dudas acerca de la velocidad adecuada para su operación, pruebe el rendimiento con ajustes de baja velocidad e increméntelos gradualmente hasta alcanzar una velocidad que le resulte cómoda.

CORTES PENETRANTES

⚠ ADVERTENCIA: Sostenga la sierra firmemente con ambas manos para todas las operaciones de corte.

⚠ ADVERTENCIA: Inspeccione el área de trabajo en busca de cableado eléctrico y tubos de gas o agua que se encuentren ocultos antes de realizar cortes a ciegas o penetrantes. No hacerlo puede tener como consecuencia una descarga eléctrica, incendio, explosión o daños a la propiedad.

⚠ ADVERTENCIA: SIEMPRE utilice anteojos de seguridad. Los anteojos de uso diario NO son anteojos de seguridad. Utilice también caretas o máscaras contra el polvo si la operación de corte produce polvo. SIEMPRE USE EQUIPO DE SEGURIDAD CERTIFICADO.

⚠ ADVERTENCIA: PELIGRO DE CORTE. Antes de cortar cualquier tipo de material, asegúrese de que esté firmemente sujeto o fijo para evitar el deslizamiento.

⚠ ADVERTENCIA: PELIGRO DE CORTE. Permita que la herramienta trabaje a su propio ritmo. No la sobrecargue o de lo contrario puede romperse la hoja.

PARA EFECTUAR UN CORTE:

- Marque claramente el área de corte que desea.
- Encienda la herramienta antes de aplicar presión y avance lentamente con la hoja en la pieza de trabajo en la ubicación marcada como se muestra en la **figura 13**.

⚠ ADVERTENCIA: PELIGRO DE CORTE. Antes de encender la sierra, asegúrese de que la hoja no esté en contacto con la superficie de corte.

- Avance la hoja a lo largo de la línea de corte hasta completar el mismo. No fuerce la herramienta; deje que la hoja realice el corte a su propia velocidad.
- Apague la herramienta.

NOTA: Siempre utilice el tipo adecuado de hoja para sierra para el material de la pieza de trabajo y el tipo de corte. Corte solamente con hojas afiladas; estas realizan cortes más limpios, más rápidos y requieren menos esfuerzo del motor durante el corte

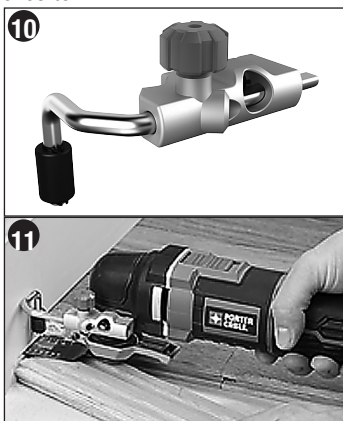
GUÍA DE PROFUNDIDAD DE CORTE

Esta característica le permite cortar el material con precisión a una profundidad específica.

• Para utilizar la guía de profundidad de corte, insértela dentro de la ranura delantera del cuerpo de la guía como se muestra en la **figura 10**.

• Ajuste la longitud de la guía tirando hacia afuera o empujando hacia adentro para lograr la profundidad de corte deseada como se muestra en la **figura 11**.

• Asegure la guía en su lugar girando la perilla de ajuste de profundidad/corte en sentido de las agujas del reloj. Para soltar la guía, gire la perilla de ajuste de profundidad/corte en sentido contrario a las agujas del reloj.



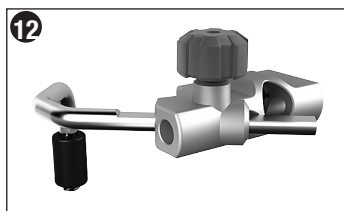
GUÍA DE CORTE

Esta característica le permite seguir con mayor exactitud una línea de corte marcada.

• Para utilizar la guía de corte, insértela dentro de las ranuras de los lados izquierdo y derecho del cuerpo de la guía como se muestra en la **figura 12**.

• Ajuste la longitud de la guía tirando hacia afuera o empujando hacia adentro para lograr la longitud deseada como se muestra en la **figura 13**.

• Asegure la guía en su lugar girando la perilla de ajuste de profundidad/corte en sentido de las agujas del reloj. Para soltar la guía, gire la perilla de ajuste de profundidad/corte en sentido contrario a las agujas del reloj.



LIJADO

⚠ ADVERTENCIA: Peligro de incendio. Al trabajar sobre superficies metálicas, no utilice una aspiradora porque se producen chispas. Utilice anteojos de seguridad y una máscara contra el polvo. Debido al peligro de incendio, no utilice la lijadora para lijar superficies de magnesio. No utilice la herramienta para lijar superficies húmedas.

NOTA: No apoye sus dedos sobre la platina durante el uso. Mueva la lijadora en recorridos amplios y extensos por toda la superficie, permitiendo que esta haga el trabajo. Todo lo que se requiere para el lijado es una leve presión. La presión excesiva reducirá la velocidad de la herramienta y producirá resultados de menor calidad. Revise su trabajo con frecuencia ya que el producto puede eliminar material rápidamente. La fuerza excesiva reducirá la eficacia de trabajo y provocará que el motor se sobrecargue. El reemplazo periódico de la hoja de lija mantendrá una óptima eficacia de trabajo.

NOTA: Siempre asegúrese de que la pieza de trabajo esté firmemente sujeta o fija para evitar que se mueva. Cualquier movimiento del material puede afectar la calidad del acabado del lijado.

CONSEJOS ÚTILES

- Siempre asegúrese de que la pieza de trabajo esté firmemente sostenida o sujeta para evitar movimientos. Cualquier movimiento del material puede afectar la calidad del acabado del corte o lijado.
- No comience a lijar sin tener el papel de lija instalado en la platina de lijado.
- Utilice papel de grano grueso para lijar superficies ásperas, grano medio para superficies suaves y grano fino para las superficies de acabado. Si es necesario, realice primero una aplicación de prueba sobre material desechable.
- El uso de fuerza excesiva reducirá la eficacia de trabajo y provocará que el motor se sobrecargue. El reemplazo periódico de los accesorios mantendrá una óptima eficacia de trabajo.
- No permita que el papel de lija se desgaste por completo, ya que esto dañará la almohadilla de lijado.
- Si la herramienta se sobrecalienta, especialmente cuando se utiliza a baja velocidad, ajuste la velocidad al máximo y hágala funcionar sin carga durante 2 a 3 minutos para enfriar el motor. Evite el uso prolongado a velocidades muy bajas. Siempre mantenga la hoja afilada.

MANTENIMIENTO

⚠ PRECAUCIÓN: Nunca utilice solventes u otros productos químicos abrasivos para limpiar las piezas no metálicas de la herramienta. Utilice únicamente jabón suave y un trapo húmedo para limpiar la herramienta. Nunca permita que se introduzcan líquidos en la herramienta; nunca sumerja ninguna parte de la herramienta en ningún líquido.

PIEZAS DE REPUESTO

Utilice sólo piezas de repuesto idénticas. Para obtener una lista de piezas o para solicitar piezas, visite nuestro sitio Web en www.portercable.com. También puede solicitar piezas al Centro de mantenimiento de fábrica PORTER-CABLE o al Centro de mantenimiento con garantía autorizada de PORTER-CABLE más cercanos. O bien, puede llamar a nuestro Centro de atención al cliente al (888) 848-5175.

DETECCIÓN DE PROBLEMAS

Problema	Causa posible	Solución posible
• La unidad no enciende.	• Cable desenchufado. • Fusible quemado.	• Enchufe el cargador en un tomacorriente que funcione. • Reemplace el fusible quemado. (Si repetidamente el producto hace que el fusible del circuito se quemé, deje de utilizarlo inmediatamente y haga que le realicen
mantenimiento	• El interruptor automático está activado. • Interruptor o cable dañado.	en un centro de mantenimiento Porter Cable o en un centro de servicio autorizado.) • Reinicie el interruptor automático. (Si repetidamente el producto hace que el fusible del circuito se quemé, deje de utilizarlo inmediatamente y haga que le realicen mantenimiento en un centro de mantenimiento Porter Cable o en un centro de servicio autorizado.) • Haga reparar el cable o el interruptor en un centro de mantenimiento Porter Cable o en un centro de mantenimiento autorizado.

Para conocer la ubicación del centro de mantenimiento más cercano a fin de recibir ayuda con su producto, visite nuestro sitio Web www.portercable.com o llame a la línea de ayuda PORTER-CABLE al (888)848-5175.

MANTENIMIENTO Y REPARACIONES

El mantenimiento de este producto no puede ser realizado por el usuario. Dentro del cargador no hay piezas a las que el usuario pueda hacerles mantenimiento. El mantenimiento de la herramienta debe realizarse en un centro de mantenimiento autorizado para evitar daños a los componentes internos, sensibles a la estática. Para obtener información acerca de PORTER-CABLE, sus centros de mantenimiento o centros de mantenimiento con garantía autorizados, visite nuestro sitio web en www.portercable.com o comuníquese con nuestro Centro de atención al cliente al (888) 848-5175. Todas las reparaciones realizadas en nuestros centros de mantenimiento están completamente garantizadas en relación con los materiales defectuosos y la mano de obra. No podemos otorgar garantías en relación con las reparaciones ni los intentos de reparación de otras personas.

También puede escribirnos solicitando información a PORTER-CABLE, 4825 Highway 45 North, Jackson, Tennessee 38305; referencia: Mantenimiento de productos. Asegúrese de incluir toda la información mencionada en la placa de la herramienta (número de modelo, tipo, número de serie, etc.).

ACCESORIOS

⚠ ADVERTENCIA: Debido a que los accesorios, distintos de aquellos que se ofrecen con DeWalt® Universal Fitment™, no han sido probados para este producto, el uso de los mismos con esta herramienta puede ser peligroso. Para reducir el riesgo de lesiones, con este producto deben utilizarse solo accesorios PORTER-CABLE recomendados.

GARANTÍA LIMITADA DE TRES AÑOS

PORTER-CABLE reparará o reemplazará, sin cargo, cualquier defecto ocasionado por materiales defectuosos o mano de obra durante tres años a partir de la fecha de compra, en el caso de las herramientas (dos años para las baterías). Esta garantía no cubre fallas en las piezas que resulten del desgaste normal de la herramienta o de su utilización inadecuada. Para obtener información detallada sobre la cobertura de la garantía y sobre reparaciones, visite www.portercable.com o llame al (888) 848-5175. Esta garantía no se extiende a los accesorios o a los daños causados por terceros al intentar realizar reparaciones. Esta garantía le concede derechos legales específicos; pueden existir otros derechos que varían según el estado o la provincia. Además de la garantía, las herramientas PORTER-CABLE están cubiertas por nuestro

SERVICIO GRATUITO DE 1 AÑO: PORTER-CABLE realizará el mantenimiento y

reemplazará las piezas gastadas tras el uso normal, sin costo alguno, en cualquier momento durante el primer año después de la compra.

GARANTÍA DE DEVOLUCIÓN DE DINERO DE 90 DÍAS: Si por alguna razón no estuviera plenamente satisfecho con el rendimiento de su herramienta eléctrica PORTER-CABLE, puede devolver el producto dentro de los 90 días siguientes a la fecha de compra acompañado del recibo. De esta manera, se le reintegrará el importe total del producto sin formularle pregunta alguna.

AMÉRICA LATINA: Esta garantía no se aplica a los productos que se venden en América Latina. Para los productos que se venden en América Latina, debe consultar la información de la garantía específica del país que viene en el empaque, llamar a la compañía local o visitar el sitio Web a fin de obtener esa información.

Para registrar la herramienta con el objeto de obtener el mantenimiento cubierto por la garantía, visite nuestro sitio Web, www.portercable.com.

Este aparato digital Clase B cumple con la norma canadiense ICES-003.

Este mecanismo cumple con la parte 15 de las normas de la Comisión Federal de Comunicaciones de Estados Unidos (FCC). La operación está sujeta a las dos condiciones siguientes: (1) Este mecanismo posiblemente no cause interferencia perjudicial; y (2) este mecanismo puede aceptar cualquier interferencia recibida, incluso interferencia que podría provocar una operación no deseada.

NOTA: Este equipo ha sido probado y se encontró que cumple con los límites para dispositivo digital Clase B, según la parte 15 de las normas de la FCC. Estos límites están diseñados para brindar protección razonable contra interferencia perjudicial en una instalación residencial. Este equipo genera, usa y puede irradiar energía en frecuencia de radio y, si no se instala y se usa de acuerdo con las instrucciones, puede provocar interferencia perjudicial en las comunicaciones de radio. Sin embargo, no hay garantía de que la interferencia no ocurra en una instalación en particular. Si este equipo provoca interferencia perjudicial en la recepción de radio o televisión, lo que se puede determinar al apagar y encender el equipo, el usuario debe tratar de corregir la interferencia mediante una o más de las siguientes medidas:

- Cambiar la orientación o la ubicación de la antena de recepción.
- Aumentar la separación entre el equipo y el receptor.
- Conectar el equipo a un tomacorriente sobre un circuito diferente de aquel al que está conectado el receptor.
- Consultar al vendedor o pedir la ayuda de un técnico en radio y televisión con experiencia.

Los cambios o las modificaciones que se le realicen a esta unidad sin aprobación expresa del tercero responsable del cumplimiento pueden anular la autorización del usuario para operar el equipo. Este aparato digital de la clase B se conforma con ICES-003 canadiense.

REEMPLAZO DE LAS ETIQUETAS DE ADVERTENCIA

Si sus etiquetas de advertencia se vuelven ilegibles o faltan, llame al (888) 848-5175 para que se las reemplacen gratuitamente.

Las siguientes son marcas comerciales PORTER-CABLE que distinguen a una o más herramientas y accesorios: un gráfico de color gris y negro; un diseño de "estrella de cuatro puntas" y tres franjas longitudinales contrastantes/delineadas. Las siguientes también son marcas comerciales para uno o más productos de PORTER-CABLE y Delta: 2 BY 4®, 890™, Air America®, AIRBOSS™, Auto-Set®, B.O.S.S.®, Bammer®, Biesemeyer®, Builders Saw®, Charge Air®, Charge Air Pro®, CONTRACTOR SUPERDUTY®, Contractor's Saw®, Delta®, DELTA®, Delta Industrial®, DELTA MACHINERY & DESIGN™, Delta Shopmaster and Design®, Delta X5®, Deltacraft®, DELTAGRAM®, Do It. Feel It.®, DUAL LASERLOC AND DESIGN®, EASY AIR®, EASY AIR TO GO™, ENDURADIAMOND®, Ex-Cell®, Front Bevel Lock®, Get Yours While the Sun Shines®, Grip to Fit®, GRIPVAC™, GTF®, HICKORY WOODWORKING®, Homecraft®, HP FRAMER HIGH PRESSURE®, IMPACT SERIES™, Innovation That Works®, Jet-Lock®, Job Boss®, Kickstand®, LASERLOC®, LONG-LASTING WORK LIFE®, MAX FORCE™, MAX LIFE®, Micro-Set®, Midi-Lathe®, Monsoon®, MONSTER-CARBIDE™, Network®, OLDHAM®, Omnijig®, PC EDGE®, Performance Crew™, Performance Gear®, Pocket Cutter®, Porta-Band®, Porta-Plane®, PORTER-CABLE®, PORTER-CABLE Professional Power Tools®, Powerback®, POZI-STOP™, Pressure Wave®, PRO 4000®, Proair®, Quicksand and Design®, Quickset II®, QUIET DRIVE TECHNOLOGY™, QUIET DRIVE TECHNOLOGY AND DESIGN™, Quik-Change®, QUIK-TILT®, RAPID-RELEASE™, RAZOR®, Redefining Performance®, Ripitide®, Safe Guard II®, Sand Trap and Design®, Sanding Center®, Saw Boss®, Shop Boss®, Sidekick®, Site Boss®, Speed-Bloc®, Speedmatic®, Stair Ease®, Steel Driver Series®, SUPERDUTY®, T4 & DESIGN®, THE AMERICAN WOODSHOP®, THE PROFESSIONAL EDGE®, Thin-Line®, Tiger Saw®, TIGERCLAW®, TIGERCLAW AND DESIGN®, Torq-Buster®, TRU-MATCH®, T-Square®, Twinlaser®, Unifence®, Uniguard®, UNIRIP®, UNISAW®, UNITED STATES SAW®, Veri-Set®, Versa-Feeder®, VIPER®, VT™, VT RAZOR™, Water Driver®, WATER VROOM®, Waveform®, Whisper Series®, X5®, YOUR ACHIEVEMENT. OUR TOOLS.®

Las marcas comerciales con el símbolo ® están registradas en la Oficina de patentes y marcas comerciales de Estados Unidos (United States Patent and Trademark Office), y también pueden estar registradas en otros países. Posiblemente se apliquen otras marcas comerciales registradas.

PORTER  CABLE

4825 Highway 45 North Jackson, Tennessee 38305, (888) 848-5175, www.portercable.com