

# PORTER CABLE®

[www.portercable.com](http://www.portercable.com)

## **Instruction manual**

Manuel d'instructions

Manual de instrucciones

## **20V MAX 7-1/4" (184 mm) Circular Saw**

Scie circulaire de 184 mm (7-1/4 po) 20 V max\*

Sierra Circular de 184 mm (7-1/4") 20 V Max\*

## **PCCS500**

**Thank you for choosing PORTER-CABLE! To register your new product, go to:**

[www.portercable.com/ServiceAndSupport/ProductRegistration.aspx](http://www.portercable.com/ServiceAndSupport/ProductRegistration.aspx)

**OPERATING INSTRUCTION, SERVICE CENTERS AND GUARANTEE POLICY.**

**▲ WARNING: READ THIS INSTRUCTION BEFORE USING THE PRODUCT.**

**Merci d'avoir choisi PORTER-CABLE! Consulter le site Web**

[www.portercable.com/ServiceAndSupport/ProductRegistration.aspx](http://www.portercable.com/ServiceAndSupport/ProductRegistration.aspx) pour enregistrer votre nouveau produit.

**INSTRUCTIONS DE FONCTIONNEMENT, CENTRES DE SERVICE ET POLITIQUE DE GARANTIE.**

**▲ AVERTISSEMENT: LISEZ CETTE INSTRUCTION AVANT D'UTILISER LE PRODUIT.**

**Gracias por elegir PORTER-CABLE usted! Para registrar su nuevo producto, visite:**

[www.portercable.com/ServiceAndSupport/ProductRegistration.aspx](http://www.portercable.com/ServiceAndSupport/ProductRegistration.aspx)

**INSTRUCTIVO DE OPERACION, CENTROS DE SERVICIO Y POLIZA DE GARANTIA.**

**▲ ADVERTENCIA: LEAS E ESTE INSTRUCTIVO ANTES DE USAR EL PRODUCTO.**

---

English (**original instructions**)

4

---

Français (*traduction de la notice d'instructions originale*)

14

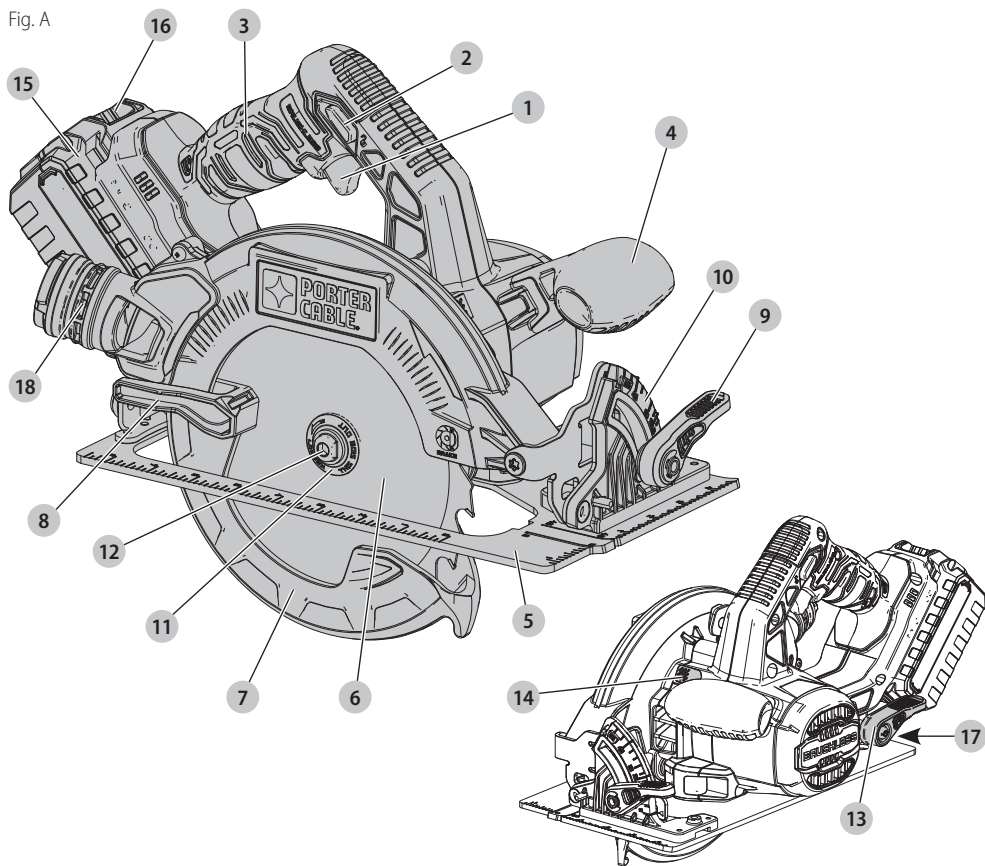
---

Español (*traducido de las instrucciones originales*)

25

---

Fig. A



### Components

- 1 On/off switch
- 2 Lock-off button
- 3 Main handle
- 4 Secondary handle
- 5 Shoe
- 6 Saw blade
- 7 Lower blade guard
- 8 Lower guard retracting lever
- 9 Bevel adjustment lever
- 10 Bevel angle scale
- 11 Outer blade clamp washer
- 12 Blade retaining bolt
- 13 Depth adjustment lever
- 14 Spindle lock button
- 15 Battery
- 16 Battery release button
- 17 Hex wrench
- 18 Dust extraction port

### Composants

- 1 Bouton Marche/Arrêt
- 2 Bouton de verrouillage
- 3 Poignée principale
- 4 Poignée secondaire
- 5 Patin
- 6 Lame de scie
- 7 Protecteur inférieur
- 8 Levier de rétraction du protecteur inférieur
- 9 Levier de réglage du biseau
- 10 Échelle d'angle de biseau
- 11 Rondelle de serrage de lame extérieure
- 12 Boulon de retenue de lame
- 13 Levier d'ajustement de la profondeur
- 14 Bouton de verrouillage de la tige
- 15 Pile
- 16 Bouton de libération de la pile
- 17 Clé hexagonale
- 18 Port de dépolluissage

### Componentes

- 1 Interruptor On/off (Encendido/ Apagado)
- 2 Botón de bloqueo de apagado
- 3 Manija principal
- 4 Manija secundaria
- 5 Zapata
- 6 Cuchilla de sierra
- 7 Protección de cuchilla inferior
- 8 Palanca retráctil de protección inferior
- 9 Palanca de ajuste de bisel
- 10 Escala de ángulo de bisel
- 11 Arandela de sujeción de cuchilla exterior
- 12 Perno de retención de cuchilla
- 13 Palanca de ajuste de profundidad
- 14 Botón de bloqueo de husillo
- 15 Batería
- 16 Botón de liberación de batería
- 17 Llave hexagonal
- 18 Puerto de extracción de polvo

Fig. B

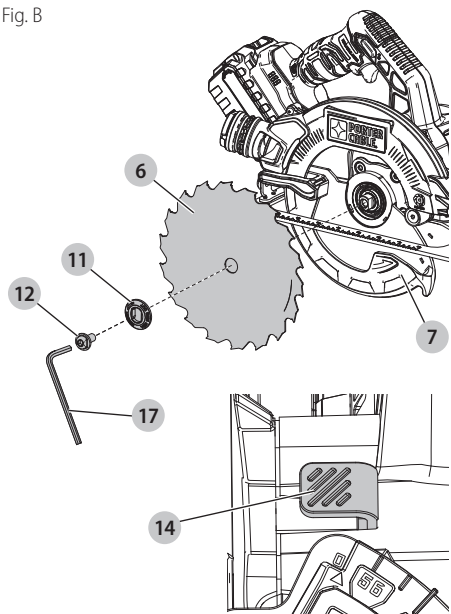


Fig. C

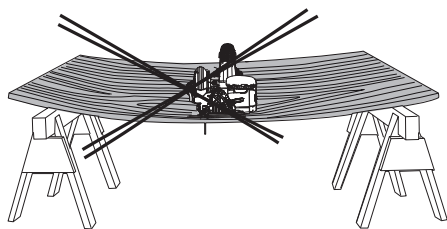


Fig. D

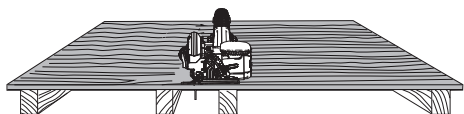


Fig. E

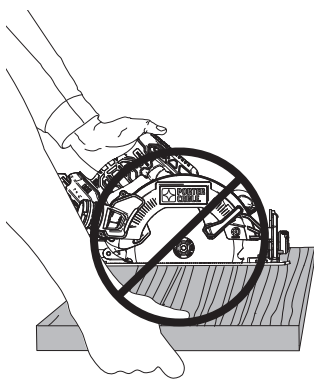


Fig. F

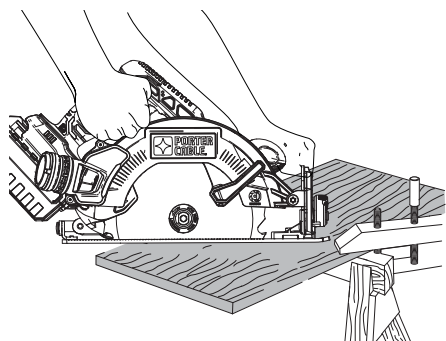


Fig. G

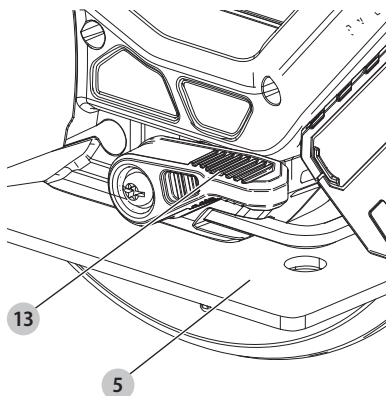


Fig. H

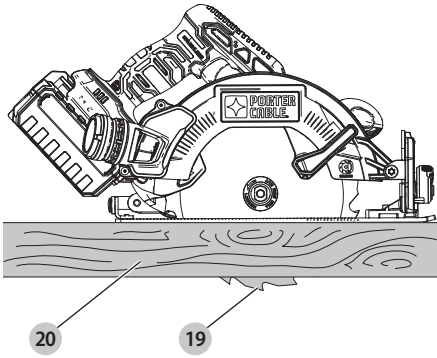


Fig. I

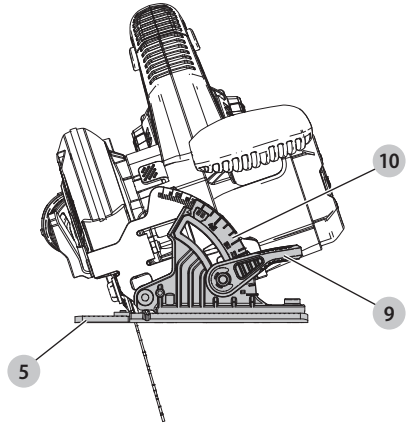


Fig. J

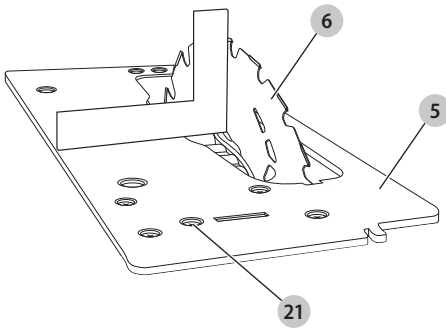


Fig. K

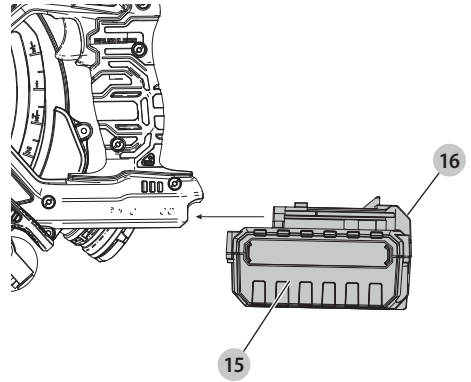


Fig. L

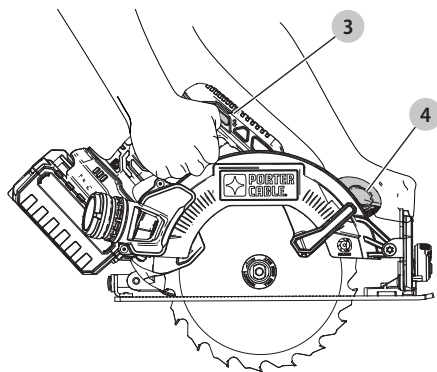
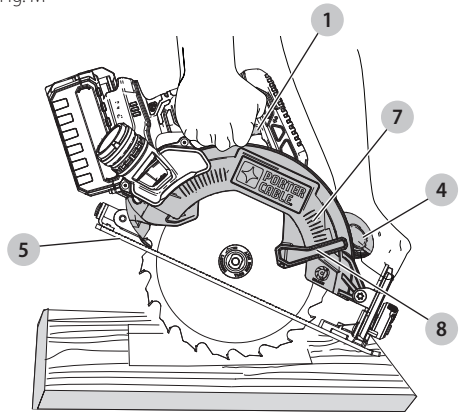


Fig. M





**WARNING:** Read all safety warnings and all instructions. Failure to follow the warnings and instructions may result in electric shock, fire and/or serious injury.



**WARNING:** To reduce the risk of injury, read the instruction manual.

## Intended Use

This circular saw is design for do-it-yourself, woodcutting applications.



**WARNING:** Do not cut any metals, masonry, glass, tile or plastic with this saw. A dull blade will cause slow, inefficient cutting overload on the saw motor, excessive splintering, and could increase the possibility of kickback.

- DO NOT use any abrasive wheels.
- Use only blades designed for wood cutting.



**WARNING:** Cutting sap coated wood, and other materials may cause melted substances to accumulate on the blade tips and the body of the saw blade, increasing the risk of the blade overheating and binding while cutting.

**DO NOT** use under wet conditions or in presence of flammable liquids or gases.

**DO NOT** let children come into contact with the tool.

Supervision is required when inexperienced operators use this tool.

## Definitions: Safety Alert Symbols and Words

This instruction manual uses the following safety alert symbols and words to alert you to hazardous situations and your risk of personal injury or property damage.



**DANGER:** Indicates an imminently hazardous situation which, if not avoided, **will** result in **death or serious injury**.



**WARNING:** Indicates a potentially hazardous situation which, if not avoided, **could** result in **death or serious injury**.



**CAUTION:** Indicates a potentially hazardous situation which, if not avoided, **may** result in **minor or moderate injury**.



(Used without word) Indicates a safety related message.

**NOTICE:** Indicates a practice **not related to personal injury** which, if not avoided, **may** result in **property damage**.

## GENERAL POWER TOOL SAFETY WARNINGS



**WARNING:** Read all safety warnings, instructions, illustrations and specifications provided with this power tool. Failure to follow all instructions listed below may result in electric shock, fire and/or serious injury.

## SAVE ALL WARNINGS AND INSTRUCTIONS FOR FUTURE REFERENCE.

The term "power tool" in the warnings refers to your mains-operated (corded) power tool or battery-operated (cordless) power tool.

## 1) Work Area Safety

- a) **Keep work area clean and well lit.** Cluttered or dark areas invite accidents.
- b) **Do not operate power tools in explosive atmospheres, such as in the presence of flammable liquids, gases or dust.** Power tools create sparks which may ignite the dust or fumes.
- c) **Keep children and bystanders away while operating a power tool.** Distractions can cause you to lose control.

## 2) Electrical Safety

- a) **Power tool plugs must match the outlet. Never modify the plug in any way. Do not use any adapter plugs with earthed (grounded) power tools.** Unmodified plugs and matching outlets will reduce risk of electric shock.
- b) **Avoid body contact with earthed or grounded surfaces, such as pipes, radiators, ranges and refrigerators.** There is an increased risk of electric shock if your body is earthed or grounded.
- c) **Do not expose power tools to rain or wet conditions.** Water entering a power tool will increase the risk of electric shock.
- d) **Do not abuse the cord. Never use the cord for carrying, pulling or unplugging the power tool. Keep cord away from heat, oil, sharp edges or moving parts.** Damaged or entangled cords increase the risk of electric shock.
- e) **When operating a power tool outdoors, use an extension cord suitable for outdoor use.** Use of a cord suitable for outdoor use reduces the risk of electric shock.
- f) **If operating a power tool in a damp location is unavoidable, use a ground fault circuit interrupter (GFCI) protected supply.** Use of a GFCI reduces the risk of electric shock.

## 3) Personal Safety

- a) **Stay alert, watch what you are doing and use common sense when operating a power tool. Do not use a power tool while you are tired or under the influence of drugs, alcohol or medication.** A moment of inattention while operating power tools may result in serious personal injury.
- b) **Use personal protective equipment. Always wear eye protection.** Protective equipment such as a dust mask, non-skid safety shoes, hard hat, or hearing protection used for appropriate conditions will reduce personal injuries.
- c) **Prevent unintentional starting. Ensure the switch is in the off-position before connecting to power source and/or battery pack, picking up or carrying the tool.** Carrying power tools with your finger on the switch or energizing power tools that have the switch on invites accidents.
- d) **Remove any adjusting key or wrench before turning the power tool on.** A wrench or a key left attached to a rotating part of the power tool may result in personal injury.

- e) **Do not overreach. Keep proper footing and balance at all times.** This enables better control of the power tool in unexpected situations.
- f) **Dress properly. Do not wear loose clothing or jewelry. Keep your hair, clothing and gloves away from moving parts.** Loose clothes, jewelry or long hair can be caught in moving parts.
- g) **If devices are provided for the connection of dust extraction and collection facilities, ensure these are connected and properly used.** Use of dust collection can reduce dust-related hazards.
- h) **Do not let familiarity gained from frequent use of tools allow you to become complacent and ignore tool safety principles.** A careless action can cause severe injury within a fraction of a second.

#### 4) Power Tool Use and Care

- a) **Do not force the power tool. Use the correct power tool for your application.** The correct power tool will do the job better and safer at the rate for which it was designed.
- b) **Do not use the power tool if the switch does not turn it on and off.** Any power tool that cannot be controlled with the switch is dangerous and must be repaired.
- c) **Disconnect the plug from the power source and/or remove the battery pack, if detachable, from the power tool before making any adjustments, changing accessories, or storing power tools.** Such preventive safety measures reduce the risk of starting the power tool accidentally.
- d) **Store idle power tools out of the reach of children and do not allow persons unfamiliar with the power tool or these instructions to operate the power tool.** Power tools are dangerous in the hands of untrained users.
- e) **Maintain power tools and accessories. Check for misalignment or binding of moving parts, breakage of parts and any other condition that may affect the power tool's operation. If damaged, have the power tool repaired before use.** Many accidents are caused by poorly maintained power tools.
- f) **Keep cutting tools sharp and clean.** Properly maintained cutting tools with sharp cutting edges are less likely to bind and are easier to control.
- g) **Use the power tool, accessories and tool bits etc. in accordance with these instructions, taking into account the working conditions and the work to be performed.** Use of the power tool for operations different from those intended could result in a hazardous situation.
- h) **Keep handles and grasping surfaces dry, clean and free from oil and grease.** Slippery handles and grasping surfaces do not allow for safe handling and control of the tool in unexpected situations.

#### 5) Battery Tool Use and Care

- a) **Recharge only with the charger specified by the manufacturer.** A charger that is suitable for one type

of battery pack may create a risk of fire when used with another battery pack.

- b) **Use power tools only with specifically designated battery packs.** Use of any other battery packs may create a risk of injury and fire.
- c) **When battery pack is not in use, keep it away from other metal objects, like paper clips, coins, keys, nails, screws or other small metal objects, that can make a connection from one terminal to another.** Shorting the battery terminals together may cause burns or a fire.
- d) **Under abusive conditions, liquid may be ejected from the battery; avoid contact. If contact accidentally occurs, flush with water. If liquid contacts eyes, additionally seek medical help.** Liquid ejected from the battery may cause irritation or burns.
- e) **Do not use a battery pack or tool that is damaged or modified.** Damaged or modified batteries may exhibit unpredictable behavior resulting in fire, explosion or risk of injury.
- f) **Do not expose a battery pack or tool to fire or excessive temperature.** Exposure to fire or temperature above 265 °F (130 °C) may cause explosion.
- g) **Follow all charging instructions and do not charge the battery pack or tool outside the temperature range specified in the instructions.** Charging improperly or at temperatures outside the specified range may damage the battery and increase the risk of fire.

#### 6) Service

- a) **Have your power tool serviced by a qualified repair person using only identical replacement parts.** This will ensure that the safety of the power tool is maintained.
- b) **Never service damaged battery packs.** Service of battery packs should only be performed by the manufacturer or authorized service providers.

### Safety Instructions for All Saws

#### Cutting Procedures

- a) **▲ DANGER: Keep hands away from cutting area and the blade. Keep your second hand on auxiliary handle, or motor housing.** If both hands are holding the saw, they cannot be cut by the blade.
- b) **Do not reach underneath the workpiece.** The guard cannot protect you from the blade below the workpiece.
- c) **Adjust the cutting depth to the thickness of the workpiece.** Less than a full tooth of the blade teeth should be visible below the workpiece.
- d) **Never hold the workpiece in your hands or across your leg while cutting. Secure the workpiece to a stable platform.** It is important to support the work properly to minimize body exposure, blade binding, or loss of control.

- e) **Hold the power tool by insulated gripping surfaces, when performing an operation where the cutting tool may contact hidden wiring.** Contact with a "live" wire will also make exposed metal parts of the power tool "live" and could give the operator an electric shock.
- f) **When ripping, always use a rip fence or straight edge guide.** This improves the accuracy of cut and reduces the chance of blade binding.
- g) **Always use blades with correct size and shape (diamond versus round) of arbor holes.** Blades that do not match the mounting hardware of the saw will run off-center, causing loss of control.
- h) **Never use damaged or incorrect blade washers or bolt.** The blade washers and bolt were specially designed for your saw, for optimum performance and safety of operation.

## Further Safety Instructions for All Saws

### Causes and Operator Prevention of Kickback:

- Kickback is a sudden reaction to a pinched, bound or misaligned saw blade, causing an uncontrolled saw to lift up and out of the workpiece toward the operator;
- When the blade is pinched or bound tightly by the kerf closing down, the blade stalls and the motor reaction drives the unit rapidly back toward the operator;
- If the blade becomes twisted or misaligned in the cut, the teeth at the back edge of the blade can dig into the top surface of the wood causing the blade to climb out of the kerf and jump back toward the operator.

Kickback is the result of saw misuse and/or incorrect operating procedures or conditions and can be avoided by taking proper precautions as given below:

- a) **Maintain a firm grip with both hands on the saw and position your arms to resist kickback forces. Position your body to either side of the blade, but not in line with the blade.** Kickback could cause the saw to jump backwards, but kickback forces can be controlled by the operator, if proper precautions are taken.
- b) **When blade is binding, or when interrupting a cut for any reason, release the trigger and hold the saw motionless in the material until the blade comes to a complete stop. Never attempt to remove the saw from the work or pull the saw backward while the blade is in motion or kickback may occur.** Investigate and take corrective actions to eliminate the cause of blade binding.
- c) **When restarting a saw in the workpiece, center the saw blade in the kerf and check that saw teeth are not engaged into the material.** If a saw blade binds, it may walk up or kickback from the workpiece as the saw is restarted.
- d) **Support large panels to minimize the risk of blade pinching and kickback. Large panels tend to sag under their own weight. Supports must be placed**

under the panel on both sides, near the line of cut and near the edge of the panel.

- e) **Do not use dull or damaged blades.** Unsharpened or improperly set blades produce narrow kerf causing excessive friction, blade binding and kickback.
- f) **Blade depth and bevel adjusting locking levers must be tight and secure before making the cut.** If blade adjustment shifts while cutting, it may cause binding and kickback.
- g) **Use extra caution when sawing into existing walls or other blind areas.** The protruding blade may cut objects that can cause kickback.

### Lower Guard Function Safety Instructions

- a) **Check the lower guard for proper closing before each use. Do not operate the saw if lower guard does not move freely and close instantly. Never clamp or tie the lower guard into the open position. If saw is accidentally dropped, lower guard may be bent.** Raise the lower guard with the retracting handle and make sure it moves freely and does not touch the blade or any other part, in all angles and depths of cut.
- b) **Check the operation of the lower guard spring. If the guard and the spring are not operating properly, they must be serviced before use.** Lower guard may operate sluggishly due to damaged parts, gummy deposits, or a build-up of debris.
- c) **The lower guard may be retracted manually only for special cuts such as "plunge cuts" and "compound cuts."** Raise the lower guard by the retracting handle and as soon as blade enters the material, the lower guard must be released. For all other sawing, the lower guard should operate automatically.
- d) **Always observe that the lower guard is covering the blade before placing saw down on bench or floor. An unprotected, coasting blade will cause the saw to walk backwards, cutting whatever is in its path.** Be aware of the time it takes for the blade to stop after switch is released.

### Additional Safety Information



**WARNING:** Never modify the power tool or any part of it. Damage or personal injury could result.



**WARNING: ALWAYS** use safety glasses. Everyday eyeglasses are NOT safety glasses. Also use face or dust mask if cutting operation is dusty. **ALWAYS WEAR CERTIFIED SAFETY EQUIPMENT:**

- ANSI Z87.1 eye protection (CAN/CSA Z94.3),
- ANSI S12.6 (S3.19) hearing protection,
- NIOSH/OSHA/MSHA respiratory protection.



**WARNING:** Some dust created by power sanding, sawing, grinding, drilling, and other construction activities contains chemicals known to the State of California to cause cancer, birth defects or other reproductive harm. Some examples of these chemicals are:



- lead from lead-based paints,
- crystalline silica from bricks and cement and other masonry products, and
- arsenic and chromium from chemically-treated lumber.

Your risk from these exposures varies, depending on how often you do this type of work. To reduce your exposure to these chemicals: work in a well ventilated area, and work with approved safety equipment, such as those dust masks that are specially designed to grease dust cavity out microscopic particles.

- **Wear protective clothing and wash exposed areas with soap and water.** Allowing dust to get into your mouth, eyes, or lay on the skin may promote absorption of harmful chemicals. Direct particles away from face and body.
- **Use the appropriate dust extractor vacuum to remove the vast majority of static and airborne dust.** Failure to remove static and airborne dust could contaminate the working environment or pose an increased health risk to the operator and those in close proximity.
- **Use clamps or other practical ways to secure and support the workpiece to a stable platform.** Holding the work by hand or against your body is unstable and may lead to loss of control and injury.
- **Air vents often cover moving parts and should be avoided.** Loose clothes, jewelry or long hair can be caught in moving parts.



**CAUTION: When not in use, place tool on its side on a stable surface where it will not cause a tripping or falling hazard.** Some tools with large battery packs will stand upright on the battery pack but may be easily knocked over.

The label on your tool may include the following symbols. The symbols and their definitions are as follows:

V.....volts	or AC/DC..... alternating or direct current
Hz.....hertz	
min.....minutes	..... Class II Construction (double insulated)
— — or DC..... direct current	
..... Class I Construction (grounded)	$n_0$ .....no load speed
... /min.....per minute	$n$ .....rated speed
BPM.....beats per minute	PSI.....pounds per square inch
IPM.....impacts per minute	..... earthing terminal
OPM.....oscillations per minute	..... safety alert symbol
RPM.....revolutions per minute	..... visible radiation do not stare into the light
sfpn.....surface feet per minute	..... wear respiratory protection
SPM.....strokes per minute	..... wear eye protection
A.....amperes	..... wear hearing protection
W.....watts	..... read all documentation
Wh.....watt hours	..... do not expose to rain
Ah.....amp hours	
or AC..... alternating current	

## BATTERIES AND CHARGERS

The battery pack is not fully charged out of the carton. Before using the battery pack and charger, read the safety instructions below and then follow charging procedures outlined. When ordering replacement battery packs, be sure to include the catalog number and voltage.

### READ ALL INSTRUCTIONS

## Important Safety Instructions for All Battery Packs



**WARNING: Read all safety warnings, instructions, and cautionary markings for the battery pack, charger and product. Failure to follow the warnings and instructions may result in electric shock, fire and/or serious injury.**

- **Do not charge or use the battery pack in explosive atmospheres, such as in the presence of flammable liquids, gases or dust.** Inserting or removing the battery pack from the charger may ignite the dust or fumes.
  - **NEVER force the battery pack into the charger. DO NOT modify the battery pack in any way to fit into a non-compatible charger as battery pack may rupture causing serious personal injury.**
  - **Charge the battery packs only in PORTER-CABLE chargers.**
  - **DO NOT splash or immerse in water or other liquids.**
  - **DO NOT allow water or any liquid to enter battery pack.**
  - **Do not store or use the tool and battery pack in locations where the temperature may reach or exceed 104 °F (40 °C) (such as outside sheds or metal buildings in summer).** For best life store battery packs in a cool, dry location.
- NOTE: Do not store the battery packs in a tool with the trigger switch locked on. Never tape the trigger switch in the ON position.**
- **Do not incinerate the battery pack even if it is severely damaged or is completely worn out.** The battery pack can explode in a fire. Toxic fumes and materials are created when lithium-ion battery packs are burned.
  - **Do not expose a battery pack or appliance to fire or excessive temperature.** Exposure to fire or temperature above 265 °F (130 °C) may cause explosion.
  - **Follow all charging instructions and do not charge the battery pack or appliance outside of the temperature range specified in the instructions.** Charging improperly or at temperatures outside of the specified range may damage the battery and increase the risk of fire.
  - **If battery contents come into contact with the skin, immediately wash area with mild soap and water.** If battery liquid gets into the eye, rinse water over the open eye for 15 minutes or until irritation ceases. If medical attention is needed, the battery electrolyte is composed of a mixture of liquid organic carbonates and lithium salts.
  - **Contents of opened battery cells may cause respiratory irritation.** Provide fresh air. If symptoms persist, seek medical attention.

- **Battery liquid may be flammable if exposed to spark or flame.**
- **Never attempt to open the battery pack for any reason. If the battery pack case is cracked or damaged, do not insert into the charger.** Do not crush, drop or damage the battery pack. Do not use a battery pack or charger that has received a sharp blow, been dropped, run over or damaged in any way (e.g., pierced with a nail, hit with a hammer, stepped on). Damaged battery packs should be returned to the service center for recycling.

### Storage Recommendations

The best storage place is one that is cool and dry, away from direct sunlight and excess heat or cold. Store the fully charged battery pack out of the charger.

### Battery Pack Cleaning Instructions

Dirt and grease may be removed from the exterior of the battery pack using a cloth or soft non-metallic brush. Do not use water or any cleaning solutions.

### Transportation

**WARNING: Fire hazard. Do not store, carry, or transport the battery pack so that metal objects can contact exposed battery terminals.** For example, do not place the battery pack in aprons, pockets, tool boxes, product kit boxes, drawers, etc., with loose nails, screws, keys, coins, hand tools, etc. When transporting individual battery packs, make sure that the battery terminals are protected and well insulated from materials that could contact them and cause a short circuit. **NOTE: Li-ion battery packs should not be put in checked baggage on airplanes and must be properly protected from short circuits if they are in carry-on baggage.**

### The RBRC® Seal

Please take your spent battery packs to an authorized PORTER-CABLE service center or to your local retailer for recycling. In some areas, it is illegal to place spent battery packs in the trash. You may also contact your local recycling center for information on where to drop off the spent battery pack. Do not place in curbside recycling. For more information visit [www.call2recycle.org](http://www.call2recycle.org) or call the toll free number in the RBRC® Seal. RBRC® is a registered trademark of Call 2 Recycle, Inc.



### Important Safety Instructions for All

#### Battery Chargers

**WARNING: Read all safety warnings, instructions, and cautionary markings for the battery pack, charger and product. Failure to follow the warnings and instructions may result in electric shock, fire and/or serious injury.**

- **DO NOT attempt to charge the battery pack with any chargers other than a PORTER-CABLE charger.** PORTER-CABLE chargers and battery packs are specifically designed to work together.

- **These chargers are not intended for any uses other than charging PORTER-CABLE rechargeable battery packs.** Charging other types of battery packs may cause them to overheat and burst, resulting in personal injury, property damage, fire, electric shock or electrocution.
- **Do not expose the charger to rain or snow.**
- **Do not allow water or any liquid to enter charger.**
- **Pull by the plug rather than the cord when disconnecting the charger.** This will reduce the risk of damage to the electric plug and cord.
- **Make sure that the cord is located so that it will not be stepped on, tripped over or otherwise subjected to damage or stress.**
- **Do not use an extension cord unless it is absolutely necessary.** Use of improper extension cord could result in risk of fire, electric shock or electrocution.
- **When operating a charger outdoors, always provide a dry location and use an extension cord suitable for outdoor use.** Use of a cord suitable for outdoor use reduces the risk of electric shock.
- **An extension cord must have adequate wire size (AWG or American Wire Gauge) for safety.** The smaller the gauge number of the wire, the heavier the cord and thus the greater its capacity. An undersized cord will cause a drop in line voltage resulting in loss of power and overheating. The following table shows the correct size to use depending on total length of all extension cords plugged together, and nameplate ampere rating. If in doubt, use the next heavier gauge.

Minimum Gauge for Cord Sets

Volts	Total Length of Cord in Feet (meters)					
	120V		25 (7.6)	50 (15.2)	100 (30.5)	150 (45.7)
Ampere Rating		American Wire Gauge				
More Than	Not More Than					
0	6	18	16	16	14	14
6	10	18	16	14	14	12
10	12	16	16	14	14	12
12	16	14	12	Not Recommended		

- **Do not place any object on top of the charger or place the charger on a soft surface that might block the ventilation slots and result in excessive internal heat.** Place the charger in a position away from any heat source. The charger is ventilated through slots in the top and the bottom of the housing.
- **Do not operate the charger with a damaged cord or plug.** Have them replaced immediately.
- **Do not operate the charger if it has received a sharp blow, been dropped or otherwise damaged in any way.** Take it to an authorized service center.
- **Do not disassemble the charger; take it to an authorized service center when service or repair is required.** Incorrect reassembly may result in a risk of electric shock, electrocution or fire.
- **The charger is designed to operate on standard 120V household electrical power. Do not attempt to**



**use it on any other voltage.** This does not apply to the vehicular charger.


- **Foreign materials of a conductive nature, such as, but not limited to, grinding dust, metal chips, steel wool, aluminum foil or any buildup of metallic particles should be kept away from the charger cavities and ventilation slots.**
- **Always unplug the charger from the power supply when there is no battery pack in the cavity.**

## Charging a Battery

PORTER-CABLE chargers are designed to charge PORTER-CABLE battery packs. Charge times are: PCC690L in 40–80 mins., PCC691L in 70–140 mins., PCC692/PCC692L in 40–80 mins., and PCC695L/PCC699L in 180–360 mins. depending on the pack being charged.

**NOTE:** Refer to label near charging light(s) on charger for blink patterns.

1. Plug the charger into an appropriate outlet.
2. Insert and fully seat battery pack.
-  3. The LED will flash indicating that the battery is being charged.
-  4. The completion of charge is indicated by the LED remaining on continuously. The pack is fully charged and may be used at this time or left in the charger.

 **WARNING:** Only charge batteries in air temperature over 40 °F (4.5 °C) and below 104 °F (+40 °C).

5. Charger will not charge a faulty battery pack, which may be indicated by the charging light(s) staying OFF. Take charger and battery pack to an authorized service center if light(s) stay(s) OFF.

**NOTE:** To remove the battery pack, some chargers require the battery pack release button to be pressed.

### Bad Battery



The charger can detect a weak or damaged battery. The LED flashes in the pattern indicated on the label. If you see this bad battery blink pattern, do not continue to charge the battery. Return it to a service center or a collection site for recycling.

### Hot/Cold Pack Delay



When the charger detects a battery pack that is too hot or too cold, the light flashes in the pattern indicated on the label. It automatically starts a Hot/Cold Pack Delay, suspending charging until the battery pack has reached an appropriate temperature. The charger then automatically switches to the pack charging mode. This feature ensures maximum battery pack life.

A cold battery pack may charge at a slower rate than a warm battery pack.

### Electronic Protection System


Li-Ion tools are designed with an Electronic Protection System that will protect the battery pack against overloading,

overheating or deep discharge. The tool will automatically turn off and the battery pack will need to be recharged.

## Important Charging Notes

1. Longest life and best performance can be obtained if the battery pack is charged when the air temperature is between 65 °F – 75 °F (18 °C – 24 °C). DO NOT charge when the battery pack is below +40 °F (+4.5 °C), or above +104 °F (+40 °C). This is important and will prevent serious damage to the battery pack.
2. The charger and battery pack may become warm to the touch while charging. This is a normal condition, and does not indicate a problem. To facilitate the cooling of the battery pack after use, avoid placing the charger or battery pack in a warm environment such as in a metal shed or an uninsulated trailer.
3. If the battery pack does not charge properly:
  - a. Check operation of receptacle by plugging in a lamp or other appliance;
  - b. Check to see if receptacle is connected to a light switch which turns power off when you turn out the lights;
  - c. If charging problems persist, take the tool, battery pack and charger to your local service center.
4. You may charge a partially used pack whenever you desire with no adverse effect on the battery pack.

## Charger Cleaning Instructions


 **WARNING:** Shock hazard. Disconnect the charger from the AC outlet before cleaning. Dirt and grease may be removed from the exterior of the charger using a cloth or soft non-metallic brush. Do not use water or any cleaning solutions.

### SAVE THESE INSTRUCTIONS FOR FUTURE USE

## Wall Mounting

Some PORTER-CABLE chargers are designed to be wall mountable or to sit upright on a table or work surface. If wall mounting, locate the charger within reach of an electrical outlet, and away from a corner or other obstructions which may impede air flow. Use the back of the charger as a template for the location of the mounting screws on the wall. Mount the charger securely using drywall screws (purchased separately) at least 1" (25.4 mm) long, with a screw head diameter of 0.28–0.35" (7–9 mm), screwed into wood to an optimal depth leaving approximately 7/32" (5.5 mm) of the screw exposed. Align the slots on the back of the charger with the exposed screws and fully engage them in the slots.

## ASSEMBLY AND ADJUSTMENTS

 **WARNING:** To reduce the risk of serious personal injury, turn unit off and remove the battery pack before making any adjustments or removing/installing attachments or accessories. An accidental start-up can cause injury.

## Attaching and Removing the Blade (Fig. B)

1. Retract lower guard **7** and assemble saw blade **6** and outer blade clamp washer **11** as shown in Figure B.
2. Depress the spindle lock button **14** while turning the blade retaining bolt **12** with the hex wrench **17** until the blade lock engages and the blade stops rotating.
3. Tighten the blade retaining bolt securely with the hex wrench.

**NOTE:** Bolt has a right-handed thread. To loosen, turn counterclockwise. To tighten, turn clockwise.

**NOTE:** Never engage the blade lock while the saw is running, or engage in an effort to stop the tool. Never turn the tool on while the blade lock is engaged. Serious damage to your saw will result.

## Supporting Large Panels/Securing Workpiece (Fig. C–F)

Support large panels to minimize the risk of blade pinching and kickback. Large panels tend to sag under their own weight as shown in Figure C.

Supports must be placed under the panel on both sides, near the line of cut and near the edge of the panel (Figure D).

**WARNING:** To reduce the risk of injury Never hold the piece being cut with your hands or lay it across your leg (Figure E).

Secure the workpiece to a stable platform as shown in Figure F. It is important to support the work properly to minimize body exposure, blade binding, or loss of control.

## Cutting Depth Adjustment (Fig. G, H)

The depth of cut should be set according to the thickness of the workpiece.

1. Loosen the depth adjustment lever **13** to unlock the saw shoe **5**.
2. Align the saw shoe with the desired depth of cut indicated on the scale markings on the depth strap.
3. Set depth adjustment of saw such that one tooth **19** of the blade projects below the workpiece **20** as shown in Figure H.
4. Tighten the depth adjustment lever to lock the saw shoe in place.

## Bevel Angle Adjustment (Fig. I)

This tool can be set to bevel angles between 0° and 56°.

1. Loosen the bevel adjustment lever **9** to unlock the saw shoe **5**.
2. Move the saw shoe into the desired position corresponding with the bevel angle markings on the bevel angle scale **10**.
3. Tighten the bevel adjustment lever to lock the saw shoe in place.
4. Confirm the accuracy of the setting by checking the bevel angle of an actual cut on a scrap piece of material.

## Shoe Adjustment for 90° Cuts (Fig. J)

The shoe **5** has been set by the factory to assure that the blade is perpendicular to the shoe at 0° bevel setting.

If realignment is needed:

1. Adjust the saw to 0° bevel.
2. Retract lower blade guard **7**.
3. Loosen bevel adjustment lever **9**. Place a square against the blade **6** and shoe to adjust the 90° setting.
4. Turn the calibration screw **21** so that the shoe will stop at the proper angle.
5. Confirm the accuracy of the setting by checking the squareness of an actual cut on a scrap piece of material.

## OPERATION

**WARNING:** To reduce the risk of serious personal injury, turn unit off and remove the battery pack before making any adjustments or removing/installing attachments or accessories. An accidental start-up can cause injury.

## Installing and Removing the Battery Pack (Fig. K)

**WARNING:** Ensure the tool/appliance is in the off position before inserting the battery pack.

**NOTE:** For best results, make sure your battery pack is fully charged.

To install the battery pack **15** into the tool handle, align the battery pack with the rails inside the tool's handle and slide it into the handle until the battery pack is firmly seated in the tool and ensure that it does not disengage.

To remove the battery pack from the tool, press the release button **16** and firmly pull the battery pack out of the tool handle. Insert it into the charger as described in the charger section of this manual.

## Proper Hand Position (Fig. L)

**WARNING:** To reduce the risk of serious personal injury, ALWAYS use proper hand position as shown.

**WARNING:** To reduce the risk of serious personal injury, ALWAYS hold securely in anticipation of a sudden reaction.

Proper hand position requires one hand on the main handle **3** and one hand on the secondary handle **4**.

## CUTTING SPECIFICATIONS

Bevel angle	0° and 56°
Blade size	7-1/4" (184 mm)
Max cut depth, 45° bevel	1-31/32" (50mm)
Max cut depth, 0° bevel	2-9/16" (65mm)
RPM no load	5000

## On/Off Switch (Fig. A)

Saw is equipped with a switch lock-off feature to prevent unintentional operation.

1. To operate the tool, press in on the lock-off button **2** from either side of the saw and hold it in as you depress the on/off switch **1**.
2. After you have depressed the on/off switch and the tool is running, release the lock-off button. The tool will continue to run as long as the on/off switch is depressed.
3. To turn the tool off, release the on/off switch.

**NOTE:** This tool has no provision for locking the tool on, and the switch should never be locked on by any other means.

## Automatic Electric Brake

Your saw is equipped with an electric blade brake which stops the saw blade within 1–2 seconds of trigger release. This is automatic and requires no adjustment.

### Lower Blade Guard



**WARNING:** The lower blade guard is a safety feature which reduces the risk of serious personal injury. Never use the saw if the lower blade guard is missing, damaged, misassembled or not working properly. Do not rely on the lower blade guard to protect you under all circumstances. Your safety depends on following all warnings and precautions as well as proper operation of the saw. Check lower blade guard for proper closing before each use as outlined in Further Safety Instructions for All Saws. If the lower blade guard is missing or not working properly, have the saw serviced before using. To assure product safety and reliability, repair, maintenance and adjustment should be performed by an authorized service center or other qualified service organization, always using identical replacement parts.

### Checking the Lower Guard (Fig. A)

1. Turn tool off and disconnect from power supply.
2. Rotate the lower blade guard retracting lever **8** from the fully closed position to the fully open position.
3. Release the lever and observe the guard **7** return to the fully closed position.

The tool should be serviced by a qualified service center if it:

- fails to return to the fully closed position,
- moves intermittently or slowly, or
- contacts the blade or any part of the tool in all angles and depth of cut.

## Blade Selection

Your circular saw is designed for use with 7-1/4" (184 mm) diameter blades that have a 5/8" (15.9 mm) diameter bore. Blades must be rated for 6000 RPM operation (or higher). DO NOT use any abrasive wheels.

### General Cuts



**WARNING:** To reduce the risk of injury, remove the battery, and follow all assembly, adjustment and set up instructions.

Make sure lower guard operates. Select the proper blade for the material to be cut.

- Measure and mark work for cutting.
- Support and secure work properly (refer to **Supporting Large Panels/Securing Workpiece**).
- Use appropriate and required safety equipment (refer to **Additional Safety Information**).
- Secure and maintain work area (refer to **Safety Instructions for All Saws**).
- With battery inserted, make sure switch turns saw on and off.

## Sawing



**WARNING:** To reduce the risk of serious personal injury, always hold the tool with both hands.

- Keep your body positioned to either side of the blade, but not in line with the saw blade. Kickback could cause the saw to jump backwards. Refer to **Further Safety Instructions for all Saws** and **Kickback Causes and Related Warnings**.
- Let the blade run freely for a few seconds before starting the cut.
- Apply only a gentle pressure to the tool while performing the cut.
- Work with the shoe pressed against the workpiece.

## Hints for Optimum Use

- As some splintering along the line of cut on the top side of the workpiece cannot be avoided, cut on the side where splintering is acceptable.
- Where splintering is to be minimized, e.g. when cutting laminates, clamp a piece of plywood onto the top of the workpiece.

### Pocket Cutting (Fig. M)



**WARNING:** Never tie the lower blade guard in a raised position. Never move the saw backwards when pocket cutting. This may cause the saw to raise up off the work surface, which could cause injury.

A pocket cut is one that is made in a floor, wall or other flat surface.

1. Adjust the saw shoe **5** so the blade cuts at desired depth.
2. Tilt the saw forward and rest front of the shoe on material to be cut.
3. Using the lower blade guard retracting lever **8**, retract the lower blade guard **7** to an upward position. Lower the rear of the shoe until the blade teeth almost touch the cutting line.
4. Release the lower blade guard (its contact with the work will keep it in position to open freely as you start the cut). Remove your hand from the lower blade guard retracting lever and firmly grip the secondary handle **4**, as shown in Figure M. Position your body and arm to allow you to resist kickback if it occurs.
5. Make sure blade is not in contact with cutting surface before starting saw.
6. Start the motor and gradually lower the saw until its shoe rests flat on the material to be cut. Advance saw along the cutting line until cut is completed.

- Release the on/off switch **1** and allow the blade to stop completely before withdrawing the blade from the material.
- When starting each new cut, repeat the above steps.

## Ripping

Ripping is the process of cutting wider boards into narrower strips – cutting grain lengthwise. Hand guiding is more difficult for this type of sawing and the use of a PORTER-CABLE rip fence is recommended. A rip guide is available at extra cost from your local dealer or authorized service center.

## MAINTENANCE

**WARNING:** To reduce the risk of serious personal injury, turn unit off and remove the battery pack before making any adjustments or removing/installing attachments or accessories. An accidental start-up can cause injury.

Your PORTER-CABLE power tool has been designed to operate over a long period of time with a minimum of maintenance. Continuous satisfactory operation depends upon proper tool care and regular cleaning.

## Cleaning

**WARNING:** Blow dirt and dust out of all air vents with clean, dry air at least once a week. To minimize the risk of eye injury, always wear ANSI Z87.1 approved eye protection when performing this procedure.

**WARNING:** Never use solvents or other harsh chemicals for cleaning the non-metallic parts of the tool. These chemicals may weaken the plastic materials used in these parts. Use a cloth dampened only with water and mild soap. Never let any liquid get inside the tool; never immerse any part of the tool into a liquid.

## Accessories

**WARNING:** Since accessories, other than those offered by PORTER-CABLE, have not been tested with this product, use of such accessories with this product could be hazardous. To reduce the risk of injury, only PORTER-CABLE recommended accessories should be used with this product.

Recommended accessories for use with your product are available at extra cost from your local dealer or authorized service center. If you need assistance in locating any accessory, please contact PORTER-CABLE call **1-888-848-5175** or visit our website: [www.portercable.com](http://www.portercable.com).

## Dust Extraction (Fig. A)

**WARNING:** Risk of dust inhalation. To reduce the risk of personal injury, ALWAYS wear an approved dust mask.

A dust extraction port **18** is supplied with your tool.

The dust extraction port allows you to connect the tool to an external dust extractor, either using the AirLock™ system, or a standard 32 mm dust extractor fitment.

**WARNING:** ALWAYS use a vacuum extractor designed in compliance with the applicable directives regarding dust emission when sawing wood. Vacuum hoses of

most common vacuum cleaners will fit directly into the dust extraction outlet.

## Repairs

The charger and batteries are not serviceable. There are no serviceable parts inside the charger or battery pack.

**WARNING:** To assure product SAFETY and RELIABILITY, repairs, maintenance and adjustment (including brush inspection and replacement, when applicable) should be performed by a PORTER-CABLE factory service center or a PORTER-CABLE authorized service center. Always use identical replacement parts.

## Register Online

Thank you for your purchase. Register your product now for:

- WARRANTY SERVICE:** Registering your product will help you obtain more efficient warranty service in case there is a problem with your product.
- CONFIRMATION OF OWNERSHIP:** In case of an insurance loss, such as fire, flood or theft, your registration of ownership will serve as your proof of purchase.
- FOR YOUR SAFETY:** Registering your product will allow us to contact you in the unlikely event a safety notification is required under the Federal Consumer Safety Act.
- Register online at [www.portercable.com](http://www.portercable.com)

## Three Year Limited Warranty

PORTER-CABLE will repair or replace, without charge, any defects due to faulty materials or workmanship for three years from the date of purchase (two years for batteries). This warranty does not cover part failure due to normal wear or tool abuse. For further detail of warranty coverage and warranty repair information, visit [www.portercable.com](http://www.portercable.com) or call **1-888-848-5175**. This warranty does not apply to accessories or damage caused where repairs have been made or attempted by others. THIS LIMITED WARRANTY IS GIVEN IN LIEU OF ALL OTHERS, INCLUDING THE IMPLIED WARRANTY OF MERCHANTABILITY AND FITNESS FOR A PARTICULAR PURPOSE, AND EXCLUDES ALL INCIDENTAL OR CONSEQUENTIAL DAMAGES. Some states do not allow limitations on how long an implied warranty lasts or the exclusion or limitation of incidental or consequential damages, so these limitations may not apply to you. This warranty gives you specific legal rights and you may have other rights which vary in certain states or provinces.

In addition to the warranty PORTER-CABLE tools are covered by our:

### 1 YEAR FREE SERVICE

PORTER-CABLE will maintain the tool and replace worn parts caused by normal use, for free, any time during the first year after purchase.

### 90 DAY MONEY BACK GUARANTEE

If you are not completely satisfied with the performance of your PORTER-CABLE Power Tool or Nailer for any reason, you can return it within 90 days from the date of purchase with a receipt for a full refund – no questions asked.

**LATIN AMERICA:** This warranty does not apply to products sold in Latin America. For products sold in Latin America,

see country specific warranty information contained in the packaging, call the local company or see website for warranty information.

**FREE WARNING LABEL REPLACEMENT:** If your warning labels become illegible or are missing, call **1-888-848-5175** for a free replacement.

## **PORTER CABLE**

4825 Highway 45 North, Jackson, Tennessee 38305  
(888) 848-5175 • [www.portercable.com](http://www.portercable.com)



**AVERTISSEMENT : lisez tous les avertissements de sécurité et toutes les instructions.** Ne pas suivre les avertissements et les instructions peut entraîner un choc électrique, un incendie et/ou des blessures graves.



**AVERTISSEMENT :** pour réduire le risque de blessure, lisez le guide d'utilisation.

## Usage Prévu

Cette scie circulaire est conçu pour do-it-yourself, les applications de découpe de bois.



**AVERTISSEMENT :** ne pas couper des métal, la maçonnerie, le verre, le carrelage ou en plastique avec cette scie. Une lame émoussée va provoquer lent, inefficace surcharge de coupe sur le moteur de la scie, fragmentation excessive et pourrait augmenter le risque de recul.

- NE PAS utiliser de lame abrasives.
- Utilisez uniquement des lames conçues pour la coupe de bois.



**AVERTISSEMENT :** coupe de bois recouvert de sève et d'autres matières peut causer substances fondues s'accumuler sur les extrémités des pales et le corps de la lame de scie, ce qui augmente le risque de surchauffe de la lame et obligatoire pendant la coupe.

**NE PAS** les utiliser en milieu ambiant humide ou en présence de liquides ou de gaz inflammables.

**NE PAS** le laisser à la portée des enfants. Une supervision est nécessaire auprès de tout utilisateur non expérimenté.

## Définitions : Symboles et mentions d'alerte de sécurité

Cette notice d'utilisation utilise les symboles et les mentions d'alerte de sécurité suivants afin de vous alerter sur les situations dangereuses et les risques de blessures ou de dégâts matériels.



**DANGER :** indique une situation de risque imminent qui engendre, si elle n'est pas évitée, la mort ou de graves blessures.



**AVERTISSEMENT :** indique une situation de risque potentiel qui pourrait engendrer, si elle n'est pas évitée, la mort ou de graves blessures.



**ATTENTION :** indique une situation de risque potentiel qui peut engendrer, si elle n'est pas évitée, des blessures bénignes ou modérées.



(Utilisé sans mention) Indique un message lié à la sécurité.

**REMARQUE :** indique une pratique n'entraînant aucun risque de blessures mais qui, si elle n'est pas évitée, peut entraîner des dommages matériels.

## AVERTISSEMENTS GÉNÉRAUX SUR LA SÉCURITÉ DES OUTILS



**AVERTISSEMENT :** lisez tous les avertissements de sécurité, toutes les instructions, les illustrations et les caractéristiques fournis avec cet outil électrique. Ne pas suivre toutes les instructions

comprises aux présentes peut conduire à un choc électrique, un incendie et/ou des blessures graves.

## CONSERVER TOUS LES AVERTISSEMENTS ET TOUTES LES DIRECTIVES POUR UN USAGE ULTÉRIEUR

Le terme « outil électrique » cité dans les avertissements se rapporte à votre outil électrique à alimentation sur secteur (avec fil) ou par piles (sans fil).

### 1) Sécurité du lieu de travail

- Tenir l'aire de travail propre et bien éclairée.** Les lieux encombrés ou sombres sont propices aux accidents.
- Ne pas faire fonctionner d'outils électriques dans un milieu déflamant, tel qu'en présence de liquides, de gaz ou de poussières inflammables.** Les outils électriques produisent des étincelles qui pourraient enflammer la poussière ou les vapeurs.
- Éloigner les enfants et les personnes à proximité pendant l'utilisation d'un outil électrique.** Une distraction pourrait en faire perdre la maîtrise à l'utilisateur.

### 2) Sécurité en matière d'électricité

- Les fiches des outils électriques doivent correspondre à la prise. Ne jamais modifier la fiche d'aucune façon. Ne jamais utiliser de fiche d'adaptation avec un outil électrique mis à la terre.** Le risque de choc électrique sera réduit par l'utilisation de fiches non modifiées correspondant à la prise.
- Éviter tout contact physique avec des surfaces mises à la terre comme des tuyaux, des radiateurs, des cuisinières et des réfrigérateurs.** Le risque de choc électrique est plus élevé si votre corps est mis à la terre.
- Ne pas exposer les outils électriques à la pluie ou à l'humidité.** La pénétration de l'eau dans un outil électrique augmente le risque de choc électrique.
- Ne pas utiliser le cordon de façon abusive. Ne jamais utiliser le cordon pour transporter, tirer ou débrancher un outil électrique. Tenir le cordon éloigné de la chaleur, de l'huile, des bords tranchants et des pièces mobiles.** Les cordons endommagés ou enchevêtrés augmentent les risques de choc électrique.
- Pour l'utilisation d'un outil électrique à l'extérieur, se servir d'une rallonge convenant à cette application.** L'utilisation d'une rallonge conçue pour l'extérieur réduira les risques de choc électrique.
- S'il est impossible d'éviter l'utilisation d'un outil électrique dans un endroit humide, brancher l'outil dans une prise ou sur un circuit d'alimentation dotés d'un disjoncteur de fuite à la terre (GFCI).** L'utilisation de ce type de disjoncteur réduit les risques de choc électrique.



### 3) Sécurité personnelle

- a) **Être vigilant, surveiller le travail effectué et faire preuve de jugement lorsqu'un outil électrique est utilisé. Ne pas utiliser d'outil électrique en cas de fatigue ou sous l'influence de drogues, d'alcool ou de médicaments.** Un simple moment d'inattention en utilisant un outil électrique peut entraîner des blessures corporelles graves.
- b) **Utiliser des équipements de protection individuelle. Toujours porter une protection oculaire.** L'utilisation d'équipements de protection comme un masque antipoussière, des chaussures antidérapantes, un casque de sécurité ou des protecteurs auditifs lorsque la situation le requiert réduira les risques de blessures corporelles.
- c) **Empêcher les démarrages intempestifs. S'assurer que l'interrupteur se trouve à la position d'arrêt avant de relier l'outil à une source d'alimentation et/ou d'insérer un bloc-piles, de ramasser ou de transporter l'outil.** Transporter un outil électrique alors que le doigt repose sur l'interrupteur ou brancher un outil électrique dont l'interrupteur est à la position de marche risque de provoquer un accident.
- d) **Retirer toute clé de réglage ou clé avant de démarrer l'outil.** Une clé ou une clé de réglage attachée à une partie pivotante de l'outil électrique peut provoquer des blessures corporelles.
- e) **Ne pas trop tendre les bras. Conserver son équilibre en tout temps.** Cela permet de mieux maîtriser l'outil électrique dans les situations imprévues.
- f) **S'habiller de manière appropriée. Ne pas porter de vêtements amples ni de bijoux. Garder les cheveux, les vêtements et les gants à l'écart des pièces mobiles.** Les vêtements amples, les bijoux ou les cheveux longs risquent de rester coincés dans les pièces mobiles.
- g) **Si des composants sont fournis pour le raccordement de dispositifs de dépoussiérage et de ramassage, s'assurer que ceux-ci sont bien raccordés et utilisés.** L'utilisation d'un dispositif de dépoussiérage peut réduire les dangers engendrés par les poussières.
- h) **Ne pas laisser votre connaissance acquise suite l'utilisation fréquente des outils vous permettre de baisser la garde et ignorer les principes de sécurité de l'outil.** Un acte irréfléchi peut causer une blessure grave en une fraction de seconde.

### 4) Utilisation et entretien d'un outil électrique

- a) **Ne pas forcer un outil électrique. Utiliser l'outil électrique approprié à l'application.** L'outil électrique approprié effectuera un meilleur travail, de façon plus sûre et à la vitesse pour laquelle il a été conçu.
- b) **Ne pas utiliser un outil électrique dont l'interrupteur est défectueux.** Tout outil électrique dont l'interrupteur est défectueux est dangereux et doit être réparé.

- c) **Débranchez la fiche de la prise électrique et, si amovible, retirez le bloc-piles de l'outil avant d'effectuer tout ajustement, changement et entreposage de celui-ci.** Ces mesures préventives réduisent les risques de démarrage accidentel de l'outil électrique.
- d) **Ranger les outils électriques hors de la portée des enfants et ne permettre à aucune personne n'étant pas familière avec un outil électrique ou son mode d'emploi d'utiliser cet outil.** Les outils électriques deviennent dangereux entre les mains d'utilisateurs inexpérimentés.
- e) **Gardez les poignées et surfaces d'emprise propres et libres de tout produit lubrifiant. Vérifier si les pièces mobiles sont mal alignées ou coincées, si des pièces sont brisées ou présentent toute autre condition susceptible de nuire au bon fonctionnement de l'outil électrique. En cas de dommage, faire réparer l'outil électrique avant toute nouvelle utilisation.** Beaucoup d'accidents sont causés par des outils électriques mal entretenus.
- f) **S'assurer que les outils de coupe sont aiguisés et propres.** Les outils de coupe bien entretenus et affûtés sont moins susceptibles de se coincer et sont plus faciles à maîtriser.
- g) **Utiliser l'outil électrique, les accessoires, les forets, etc. conformément aux présentes directives en tenant compte des conditions de travail et du travail à effectuer.** L'utilisation d'un outil électrique pour toute opération autre que celle pour laquelle il a été conçu est dangereuse.
- h) **Garder vos mains et les surfaces de prise sèches, propres et libres de graisse et de poussière.** Les mains et les surfaces de prise glissantes ne permettent pas la manutention et le contrôle sécuritaires de l'outil dans les situations imprévues.

### 5) Utilisation et entretien du bloc-piles

- a) **Ne recharger l'outil qu'au moyen du chargeur précisé par le fabricant.** L'utilisation d'un chargeur qui convient à un type de bloc-piles risque de provoquer un incendie s'il est utilisé avec un autre type de bloc-piles.
- b) **Utiliser les outils électriques uniquement avec les blocs-piles conçus à cet effet.** L'utilisation de tout autre bloc-piles risque de causer des blessures ou un incendie.
- c) **Lorsque le bloc-piles n'est pas utilisé, le tenir éloigné des objets métalliques, notamment des trombones, de la monnaie, des clés, des clous, des vis ou autres petits objets métalliques qui peuvent établir une connexion entre les deux bornes.** Le court-circuit des bornes du bloc-piles risque de provoquer des brûlures ou un incendie.
- d) **En cas d'utilisation abusive, le liquide peut gicler hors du bloc-piles; éviter tout contact avec ce liquide. Si un contact accidentel se produit, laver à grande eau. Si le liquide entre en contact avec les yeux, obtenir également des soins médicaux.**

Le liquide qui gicle hors du bloc-piles peut provoquer des irritations ou des brûlures.

- e) **Ne pas utiliser de bloc-piles ou outil qui a été endommagé ou modifié.** Les unités endommagées ou modifiées peuvent avoir une réaction imprévisible résultant en un incendie, une explosion ou un potentiel de blessure.
- f) **Ne pas exposer de bloc-piles ou l'outil aux flammes ou à des températures excessives.** L'exposition aux flammes ou à une température au-dessus de 130 °C (265 °F) pourrait causer une explosion.
- g) **Suivre toutes les instructions de recharge et ne rechargez pas le bloc-piles ou l'outil à des températures hors de la plage de température indiquée dans les instructions.** Une recharge non conforme ou à une température hors des limites spécifiées peut endommager les piles et augmenter le risque d'incendie.

## 6) Réparation

- a) **Faire réparer l'outil électrique par un réparateur professionnel en n'utilisant que des pièces de rechange identiques.** Cela permettra de maintenir une utilisation sécuritaire de l'outil électriques.
- b) **Ne jamais réparer des blocs-piles endommagés.** La réparation de blocs-piles doit seulement être effectuée par le fabricant ou les fournisseurs de service autorisés.

## Consignes de sécurité propres à toutes les scies

- a) **▲ DANGER : éloigner les mains des zones et organes de coupe. Maintenir la deuxième main sur la poignée auxiliaire ou le boîtier du moteur.** Lorsque les deux mains maintiennent la scie, la lame ne peut les couper.
- b) **N'essayez pas de tenir le dessous de l'ouvrage.** Le protège-lame ne peut pas vous protéger de la lame en dessous de l'ouvrage.
- c) **Ajustez la profondeur de coupe à l'épaisseur de l'ouvrage.** Moins d'une dent entière de lame devrait être visible en dessous de l'ouvrage.
- d) **Ne tenez jamais dans vos mains ou sur vos genoux un ouvrage qui est en cours de coupe. Fixez votre ouvrage sur une plateforme stable.** Il est important de soutenir correctement l'ouvrage afin de minimiser l'exposition du corps à la lame, le risque de coincement de la lame ou la perte de contrôle de l'outil.
- e) **Tenez l'outil électrique par ses surfaces de préhension isolantes quand vous réalisez une opération au cours de laquelle l'outil de coupe pourrait entrer en contact avec des câbles dissimulés.** Le contact avec un fil sous tension mettra également sous tension toutes les pièces métalliques exposées et donnera un choc électrique à l'utilisateur de l'outil.

- f) **Pendant les coupes de refente, utilisez toujours un guide de refente ou un guide à bord droit.** Ceci augmente toujours l'exactitude de la coupe et diminue la possibilité de coincement de la lame.
- g) **Utilisez toujours des lames dont l'alésage central est de la taille et de la forme appropriées (soit en forme de diamant, soit en forme de rond).** Les lames qui ne correspondent pas aux pièces de montage de la cie tourneront de façon excentrique, ce qui causera une perte de contrôle de l'outil.
- h) **Ne vous servez jamais de rondelles ou de boulons de lames qui sont endommagés ou inappropriés.** Les rondelles et le boulon de lame ont été conçus spécifiquement pour votre scie dans le but d'assurer une performance optimale et un fonctionnement sans danger.

## Consignes de sécurité propres à toutes les scies

### Causes des rebonds et méthodes de prévention pouvant être utilisées par l'utilisateur :

- Le rebond est une réaction subite (causée par une lame de scie pincée, coincée ou mal alignée) qui peut entraîner le soulèvement d'une scie non contrôlée, sa sortie de l'ouvrage et sa projection en direction de l'utilisateur.
- Si la lame est pincée ou coincée fortement pendant l'abaissement de la scie, la lame se cale et le moteur réagit en entraînant rapidement l'outil vers l'arrière dans la direction de l'opérateur.
- Si la lame se tord ou perd son alignement correct au cours de la coupe, les dents sur le bord arrière de la lame peuvent entamer la surface supérieure du bois, forçant ainsi la lame à sortir du trait de scie et à « sauter » vers l'arrière en direction de l'opérateur.

Le rebond est la conséquence d'une mauvaise utilisation de la scie et/ou de procédures ou de conditions incorrectes, et il peut être évité en prenant les précautions qui sont décrites ci-dessous :

- a) **Maintenez fermement la scie avec vos deux mains et positionnez vos bras de façon à résister aux forces de rebond.** Les forces de rebond peuvent être contrôlées par l'utilisateur quand les précautions appropriées sont prises.
- b) **En cas de coincement de la lame ou d'interruption d'une coupe pour une raison quelconque, relâchez la gâchette et tenez la scie immobile dans l'ouvrage jusqu'à ce que la lame se soit immobilisée complètement. Ne tentez jamais de retirer la scie de l'ouvrage ou de la tirer vers l'arrière pendant que la lame est en mouvement, car un rebond risquerait de se produire.** Évaluez la situation et prenez les mesures correctives nécessaires pour éliminer la cause du coincement de la lame.
- c) **Lorsque vous remettez une scie en marche dans l'ouvrage est présent, centrez la lame de scie dans le trait de scie et vérifiez que les dents de la lame ne sont pas engagées dans le matériau**

**de l'ouvrage.** Si la lame de scie se coince, elle peut grimper hors de l'ouvrage ou rebondir sur celui-ci quand la scie est remise en marche.

- d) **Soutenez les panneaux de grande taille de façon à minimiser le risque de pincement et de rebond de la lame.** Les panneaux de grande taille ont tendance à s'affaisser sous leur propre poids. Des supports doivent être placés des deux côtés sous le panneau, à proximité de la ligne de coupe et à proximité du rebord du panneau.
- e) **N'utilisez pas de lame émoussée ou endommagée.** Des lames non aiguisées ou mal installées produisent un trait de scie étroit qui cause une friction excessive, le coincement de la lame et un effet de rebond.
- f) **Les leviers de réglage de la profondeur et de l'angle de coupe de la lame doivent être bien serrés et assujettis avant de réaliser une coupe.** Une modification du réglage de la lame pendant la coupe risque d'entraîner un coincement et un rebondissement de la lame.
- g) **Procédez avec une prudence supplémentaire quand vous réalisez une coupe en plongée dans des murs déjà en place ou dans des pièces sans issue.** La lame saillante peut couper des objets, et ceci peut entraîner un rebond.

## Fonction de la garde protectrice inférieure

- a) **Inspectez le protège-lame inférieur avant chaque utilisation pour vous assurer qu'il se ferme correctement. Ne faites pas fonctionner la scie si le protège-lame inférieur ne se déplace pas librement et ne se ferme pas instantanément. Ne forcez jamais le protège-lame inférieur dans la position ouverte à l'aide d'un collier de serrage ou d'une attache.** Il est possible que le protège-lame inférieur se torde en cas de chute accidentelle de la scie. Soulevez le protège-lame inférieur à l'aide de la poignée rétractable et assurez-vous qu'il se déplace sans problème et qu'il ne touche pas la lame ou une autre pièce, quel que soit l'angle ou la profondeur de la coupe.
- b) **Vérifiez le fonctionnement du ressort du protège-lame inférieur. Si le protège-lame inférieur et le ressort ne fonctionnent pas correctement, ils doivent être réparés avant l'emploi.** Le protège-lame inférieur peut parfois mal fonctionner à cause de pièces endommagées, d'accumulation de résine ou de débris.
- c) **Le protège-lame inférieur doit être rétracté à la main uniquement à l'occasion de coupes spéciales telles que les « coupes en plongée » ou les « coupes composées ».** Soulevez le protège-lame inférieur à l'aide de la poignée rétractable et relâchez-le dès que la lame pénètre dans le matériau de l'ouvrage. Pour toute autre opération de sciage, le protège-lame inférieur doit fonctionner automatiquement.

- d) **Vérifiez toujours que le protège-lame inférieur couvre la lame avant de placer la scie sur un banc ou sur le sol.** Une lame non protégée qui tourne librement entraînera le mouvement de la scie en marche arrière, ce qui provoquera la coupe de tout ce qui se trouve sur sa trajectoire. Soyez conscient du temps nécessaire à la lame pour s'arrêter une fois que la gâchette est relâchée.

## Renseignements de sécurité supplémentaires



**ATTENTION :** ne jamais modifier l'outil électrique ou toute pièce celui-ci. Cela pourrait entraîner des dommages matériels ou des blessures corporelles.



**ATTENTION : TOUJOURS** utiliser des lunettes de sécurité. Les lunettes de tous les jours NE SONT PAS des lunettes de sécurité. De plus, utilisez un masque facial ou cache-poussière si l'opération de coupe est poussiéreuse. **PORTEZ TOUJOURS UN ÉQUIPEMENT DE SÉCURITÉ CERTIFIÉ :**

- Protection oculaire ANSI Z87.1 (CAN/CSA Z94.3),
- Protection auditive ANSI S12.6 (S3.19),
- Protection respiratoire NIOSH/OSHA/MSHA.



**AVERTISSEMENT :** certaines poussières créées par le ponçage mécanique, le sciage, l'aiguisage, le perçage et autres activités de construction contiennent des produits chimiques reconnus dans l'État de la Californie pour causer le cancer et des anomalies congénitales ou autres effets nuisibles sur la reproduction. Certains exemples de ces produits chimiques sont :

- le plomb provenant des peintures à base de plomb,
- la silice cristallisée provenant des briques, du ciment et d'autres produits de la maçonnerie ainsi que
- l'arsenic et le chrome provenant du bois de construction traité chimiquement.

Votre risque à ces expositions varie selon la fréquence dont vous effectuez ce type de travail. Pour réduire votre exposition à ces produits chimiques : travaillez dans un endroit bien aéré et travaillez avec un équipement de sécurité approuvé, comme les masques anti-poussière spécialement conçus pour filtrer les particules microscopiques.

- **Portez des vêtements protecteurs et lavez vos zones exposées avec du savon et de l'eau.** Permettre à la poussière d'entrer dans votre bouche, vos yeux ou la laisser sur la peau peut favoriser l'absorption des produits chimiques dangereux. Dirigez les particules loin du visage et du corps.
- **Utilisez le dépoussiéreur approprié pour enlever la grande majorité de la statique et de la poussière en suspension.** Ne pas enlever la statique et la poussière en suspension pourrait contaminer l'environnement de travail ou représenter un risque accru pour la santé de l'utilisateur et ceux qui sont à proximité.
- **Utilisez des serres de fixation ou un autre dispositif de fixation permettant de soutenir et de retenir la pièce sur une plate-forme stable.** Tenir la pièce avec la main ou contre le corps rend la pièce instable et risque de provoquer une perte de maîtrise de l'outil.

- **Les événements couvrent souvent des pièces qui se déplacent et doivent être évités.** Des vêtements amples, les bijoux ou les cheveux longs peuvent se coincer dans des pièces qui déplacent.

**ATTENTION :** lorsque vous ne l'utilisez pas, placez l'outil sur le côté sur une surface stable là où cela n'entraînera pas un risque de trébuchement ou de chute. Certains outils avec de gros blocs-piles se tiendront debout sur le bloc-piles, mais ils peuvent facilement être renversés.

L'étiquette sur votre outil peut inclure les symboles suivants. Voici ces symboles et leur signification :

V..... volts		..... Fabrication de classe II (double isolation)
Hz..... hertz		n <sub>0</sub> ..... vitesse à vide
min..... minutes		n..... vitesse nominale
ou CC courant continu		PSI..... livres par pouce carré
Fabrication de classe I (relié à la terre)		..... borne de terre
... /min..... par minute		..... symbole d'alerte de sécurité
BPM..... battements par minute		..... rayonnement visible ne regarde pas la lumière
IPM..... impacts par minute		..... portez une protection respiratoire
OPM..... oscillations par minute		..... portez une protection oculaire
TR/MIN..... tours par minute		..... portez des protections auditives
sfpm..... pieds surface par minute		..... Lisez toute la documentation
SPM..... Coups par minute		..... Ne pas exposer à la pluie
A..... ampères		
W..... watts		
Wh..... watts/heure		
Ah..... ampères/heure		
ou CA..... courant alternatif		
ou CA/CC... courant alternatif ou continu		

## PILES ET CHARGEURS

Le bloc-piles n'est pas entièrement chargé lorsqu'il sort de la boîte. Avant d'utiliser le bloc-piles et le chargeur, lisez attentivement les instructions de sécurité suivantes, puis suivez les procédures de chargement énoncées. Lorsque vous commandez des blocs-piles de remplacement, assurez-vous d'inclure le numéro du catalogue et la tension.

### LISEZ TOUTES LES INSTRUCTIONS

#### Consignes de sécurité importantes pour les blocs-piles

**AVERTISSEMENT :** Lisez toutes les consignes de sécurité, les instructions et les symboles d'avertissements du bloc-piles, du chargeur et du produit. Ne pas suivre les avertissements et les instructions peut entraîner un choc électrique, un incendie et/ou des blessures graves.

- **Ne pas charger ou utiliser le bloc-piles en atmosphères explosibles comme la présence de**

**liquides inflammables, de gaz ou de poussière.** Insérer ou retirer la pile du bloc-piles peut enflammer la poussière ou les vapeurs.

- **Ne JAMAIS forcer le bloc-piles dans le chargeur. NE PAS modifier le bloc-piles de quelque façon que ce soit dans un chargeur non compatible puisque le bloc-piles peut se briser causant une blessure corporelle.**
- **Chargez les blocs-piles seulement dans les chargeurs PORTER-CABLE.**
- **NE PAS** éclabousser ou immerger dans l'eau ou tout autre liquide.
- **NE PAS** laisser d'eau ou un liquide quelconque pénétrer dans le bloc-piles.
- **Ne par entreposer ou utiliser l'outil et le bloc-piles dans des endroits où la température peut atteindre ou dépasser 104 °F (40 °C) (comme des remises extérieures ou des bâtiments métalliques en été par exemple).** Pour une meilleure durée de service, entreposez le bloc-piles dans un endroit frais et sec.
- **REMARQUE :** Ne pas ranger les blocs-piles dans un outil avec la gâchette verrouillée. Ne jamais coller la gâchette avec du ruban adhésif en position Marche.
- **Ne pas brûler le bloc-piles même s'il est gravement endommagé ou est entièrement utilisé.** Le bloc-piles peut exploser au cours d'un incendie. Des vapeurs et des matières toxiques sont produites lorsque les blocs-piles au lithium-ion sont brûlés.
- **Ne pas exposer le bloc-piles ou l'appareil au feu ou à une température excessive.** L'exposition au feu ou à une température au-dessus de 130°C (265°F) pourrait entraîner une explosion.
- **Suivez les instructions de recharge et ne chargez pas le bloc-piles ou l'appareil en hors de la plage de températures indiquée dans les instructions.** Recharger le bloc-piles de façon inappropriée ou hors des températures de la plage indiquée pourrait l'endommager et augmenter le risque d'incendie.
- **Si le liquide des piles entre en contact avec la peau, lavez immédiatement avec de l'eau et du savon doux.** Si le liquide vient en contact avec les yeux, rincez à l'eau courante durant 15 minutes, ou jusqu'à ce que l'irritation cesse, en gardant les yeux ouverts. Si des soins médicaux sont nécessaires, sachez que l'électrolyte de la pile est composé d'un mélange de carbonates organiques liquides et de sels de lithium.
- **Le contenu des piles peut causer une irritation respiratoire.** Faites circuler de l'air frais. Si les symptômes persistent, consultez un médecin.
- **Le liquide des piles peut être inflammable s'il est exposé aux étincelles ou aux flammes.**
- **Ne jamais tenter d'ouvrir le bloc-piles pour quelque raison que ce soit. Si le boîtier du bloc-piles est fendu ou endommagé, ne pas l'insérer dans le chargeur.** Ne pas écraser, échapper ou endommager le bloc-piles. Ne pas se servir d'un bloc-piles ou chargeur qui a subi un impact, a été échappé, renversé par un véhicule ou endommagé

d'une façon ou d'une autre (par ex. perforé par un clou, frappé par un marteau, sur lequel on a marché). Les blocs-piles endommagés devraient être amenés/expédiés au centre de service pour recyclage.

## Recommandations d'entreposage

Le meilleur lieu pour l'entreposage est un endroit frais et sec loin de la lumière directe du soleil et de la chaleur ou du froid excessif. Entrez le bloc-piles entièrement chargé hors du chargeur.

## Instructions de nettoyage du bloc-piles

La saleté et la graisse peuvent être retirées des surfaces extérieures du bloc-piles à l'aide d'un linge ou d'une brosse souple non métallique. Ne pas utiliser d'eau ou de solution nettoyante.

## Transport



**AVERTISSEMENT : Danger d'incendie. Ne pas entreposer ou transporter le bloc-piles de manière à ce que des objets métalliques puissent entrer en contact avec les bornes des piles exposées.** Par exemple, ne pas placer le bloc-piles dans des tabliers, des poches, des coffres à outils, des boîtes d'ensembles de produits, des tiroirs, etc. avec des clous, des vis, des clés, les pièces de monnaie, les outils à main, etc. Lorsque vous transportez des blocs-piles individuels, assurez-vous que leurs bornes sont protégées et bien isolées de tout matériel avec lequel elles pourraient entrer en contact et causer un court-circuit.

**REMARQUE :** Les blocs-piles Li-ion ne doivent pas être mises dans des bagages enregistrés sur les avions et doivent être bien protégées contre les courts-circuits s'ils sont dans des bagages à main.

## Le sceau RBRC<sup>MC</sup>

Veillez apporter vos blocs-piles usagés à un centre de service agréé PORTER-CABLE ou à votre détaillant local pour le recyclage.

Dans certaines régions, il est illégal de mettre les blocs-piles usagés à la poubelle. Vous pouvez aussi contacter votre centre de recyclage local pour des informations sur les endroits où déposer le bloc-piles usagé. Ne pas mettre dans la collecte sélective. Pour de plus amples renseignements, visitez [www.call2recycle.org](http://www.call2recycle.org) ou appelez au numéro sans frais dans le sceau RBRC<sup>MC</sup>. RBRC<sup>MC</sup> est une marque de commerce déposée de Call 2 Recycle, Inc.



## Consignes de sécurité importantes pour tous les chargeurs de piles



**AVERTISSEMENT :** lisez toutes les consignes de sécurité, les instructions et les symboles d'avertissements du bloc-piles, du chargeur et du produit. Ne pas suivre les avertissements et les instructions peut entraîner un choc électrique, un incendie et/ou des blessures graves.

- **NE PAS tenter de charger le bloc-piles avec un autre chargeur que PORTER-CABLE.** Les blocs-piles et les

chargeurs PORTER-CABLE sont spécifiquement conçus pour fonctionner ensemble.

- **Ces chargeurs ne sont pas conçus pour toute utilisation autre que le chargement des blocs-piles rechargeables PORTER-CABLE.** Les autres types de chargement de blocs-piles peuvent causer la surchauffe et l'éclatement de ceux-ci, entraînant une blessure corporelle, des dommages matériels, un choc électrique ou une électrocution.
- **Ne pas exposer le chargeur à la pluie ou la neige.**
- **Ne pas laisser l'eau ou tout liquide entrer dans le chargeur.**
- **Tirez la fiche au lieu du cordon lorsque vous débranchez le chargeur.** Cela réduira le risque d'endommager la fiche et le cordon électriques.
- **Assurez-vous de ne pas placer le cordon là où il pourrait faire trébucher les passants ou être endommagé de quelque façon que ce soit.**
- **Ne pas utiliser une rallonge à moins que ce ne soit absolument nécessaire.** L'utilisation d'une rallonge inadéquate pourrait entraîner un risque d'incendie un choc électrique ou une électrocution.
- **Lors de l'utilisation d'un chargeur à l'extérieur, gardez-le toujours au sec et utilisez une rallonge appropriée pour l'extérieur.** L'utilisation d'une rallonge appropriée pour l'extérieur réduit le risque de choc électrique.
- **Une rallonge doit avoir un calibre de fil (AWG) ou calibre américain normalisé des fils) approprié pour la sécurité.** Plus le numéro de calibre du fil est petit, plus le cordon est lourd et par conséquent plus sa capacité est grande. Un cordon de taille inférieure entraînera une chute de tension de secteur ce qui causera une perte de puissance et une surchauffe. Le tableau suivant affiche la bonne taille à utiliser selon longueur totale des de toutes les rallonges branchées ensemble et l'intensité nominale de la plaque signalétique. En cas de doute, utilisez le calibre le plus lourd suivant.

### Calibre minimum pour rallonges électriques

Volts	Longueur totale de la rallonge en pieds (mètres)			
	25 (7,6)	50 (15,2)	100 (30,5)	150 (45,7)
120 V				
Courant nominal		AWG (American Wire Gauge)		
Plus de	Pas plus de			
0	6	18	16	14
6	10	18	16	14
10	12	16	16	14
12	16	14	12	Non recommandé

- **Ne pas placer tout objet sur le dessus du chargeur ou placer le chargeur sur une surface molle qui pourrait bloquer les fentes de ventilation et entraîner une chaleur interne excessive.** Placez le chargeur loin de toute source de chaleur. Le chargeur est ventilé grâce aux fentes du dessus et du bas du boîtier.
- **Ne pas utiliser le chargeur avec un cordon endommagé.** Faites-les remplacer immédiatement.

- **Ne pas utiliser le chargeur s'il a reçu un choc violent, s'il a été échappé ou est autrement endommagé de quelque façon que ce soit.** Apportez-le dans un centre de services autorisé.
- **Ne pas désassembler le chargeur; apportez-le dans un centre de services autorisé lorsqu'un entretien ou une réparation est nécessaire.** Un mauvais remontage peut entraîner un danger de choc électrique, une électrocution ou un incendie.
- **Le chargeur est conçu pour fonctionner sur une alimentation électrique domestique 120 V. Ne pas essayer de l'utiliser sur toute autre tension.** Cette consigne ne concerne pas le chargeur pour véhicule.
- **Les matières étrangères conductrices telles, mais sans s'y limiter, les poussières de meulage, les copeaux métalliques, la laine d'acier, le papier d'aluminium ou toute accumulation de particules métalliques devraient être éloignées des ouvertures du chargeur et des fentes de ventilation.**
- **Débranchez toujours le chargeur de l'alimentation lorsqu'il n'y a aucun bloc-piles à l'intérieur.**

## Charger un bloc-piles

Les chargeurs PORTER-CABLE sont conçus pour recharger les blocs-piles PORTER-CABLE. Durées de charge : PCC690L en 40 à 80 minutes, PCC691L en 70 à 140 minutes, PCC692/PCC692L en 40 à 80 minutes et PCC695L/PCC699L en 180 à 360 minutes selon le bloc-piles étant chargé.

**REMARQUE :** Consultez l'étiquette près du (des) voyant(s) de chargement sur le chargeur pour les modèles de clignotement.

1. Branchez le chargeur dans une prise appropriée.
2. Insérez et appuyez complètement le bloc-piles.
3. Le voyant DEL clignotera indiquant que la pile est en cours de recharge.
4. La fin de la recharge est indiquée par le voyant DEL qui demeure allumé de façon continue. Le bloc est complètement chargé et peut être utilisé à ce moment ou laissé sur le chargeur.



**AVERTISSEMENT :** Chargez seulement le bloc-piles si la température de l'air est supérieure à 4,5 °C (40 °F) et inférieure à 40 °C (104 °F).

5. Le chargeur ne chargera pas un bloc-piles défectueux, ce qui peut être indiqué par le(s) voyant(s) de chargement qui reste(nt) éteint(s). Apportez le chargeur et le bloc-piles à un centre de service autorisé si le(s) voyant(s) reste(nt) éteint(s).

**REMARQUE :** pour retirer le bloc-piles, on doit appuyer sur le bouton de libération du bloc-piles sur certains chargeurs.

### Batterie défectueuse



Le chargeur peut détecter un bloc-piles faible ou endommagé. Le voyant DEL clignote selon l'indication sur l'étiquette. Si vous voyez le clignotement de bloc-piles défectueux, ne poursuivez pas la recharge du bloc-piles.

Retournez-la dans un centre de services ou un site de collecte pour la recycler.

### Délai en cas de bloc chaud ou froid



Lorsque le chargeur détecte un bloc-piles trop chaud ou trop froid, le voyant clignote selon le schéma indiqué sur l'étiquette. Il lance automatiquement un délai pour bloc-piles chaud/froid, suspendant la charge jusqu'à ce que le bloc-piles ait atteint une température appropriée. Le chargeur passe alors automatiquement en mode de chargement du bloc-piles. Cette fonction assure une durée de vie maximale du bloc-piles.

Un bloc-piles froid peut se charger à une vitesse plus lente qu'un bloc-piles chaud.

### Système de protection électronique

Les outils Li-Ion sont conçus avec un système de protection électronique qui protégera le bloc-piles contre une surcharge, une surchauffe et une importante décharge. L'outil s'éteint automatiquement et le bloc-piles doit être rechargé.

## Remarques importantes sur la charge

1. Une vie plus longue et une meilleure performance peuvent être obtenues si le bloc-piles est chargé lorsque la température de l'air est située entre 18 ° et 24 °C (65 ° et 75 °F). NE PAS charger lorsque le bloc-piles est en dessous de +4,5 °C (+40 °F) ou au-dessus de +40 °C (+104 °F). C'est important et cela préviendra les dommages graves au bloc-piles.
2. Le chargeur et le bloc-piles peuvent devenir chauds au toucher durant le chargement. C'est un état normal et cela n'indique pas un problème. Pour faciliter le refroidissement du bloc-piles après l'utilisation, évitez de placer le chargeur ou le bloc-piles dans un environnement chaud comme une remise en métal ou une remorque non isolée.
3. Si le bloc-piles ne se charge pas de façon appropriée :
  - a. Vérifiez le fonctionnement de la prise en branchant une lampe ou un autre appareil;
  - b. Vérifiez si la prise d'alimentation est connectée à un interrupteur d'éclairage qui s'éteint lorsque vous éteignez les lumières;
  - c. Si les problèmes de chargement persistent, apportez l'outil, le bloc-piles et le chargeur dans votre centre de services local.
4. Vous pouvez charger un bloc partiellement utilisé au moment désiré sans effet indésirable sur le bloc-piles.

## Instructions de nettoyage du chargeur



**AVERTISSEMENT :** danger de choc électrique. Débranchez le chargeur de la prise CA avant de nettoyer. La saleté et la graisse peuvent être retirées des surfaces extérieures du chargeur à l'aide d'un linge ou d'une brosse souple non métallique. Ne pas utiliser d'eau ou de solution nettoyante.

## CONSERVEZ CES INSTRUCTIONS POUR UTILISATION ULTÉRIEURE

## Montage mural

Certains chargeurs PORTER-CABLE sont conçus pour pouvoir être installés au mur ou être placés verticalement sur une table ou une surface de travail. Pour la fixation au mur, placez le chargeur près d'une prise de courant et loin d'un coin ou d'autres obstructions qui peuvent nuire à la circulation de l'air. Utilisez la base du chargeur comme modèle pour l'emplacement des vis de montage sur le mur. Fixez solidement le chargeur à l'aide de vis pour cloison sèche (achetées séparément) d'au moins 1 po (25,4 mm) de longueur avec tête de diamètre de 0,28 à 0,35 po (7 à 9 mm) vissées dans du bois à une profondeur optimale en laissant exposée une partie de vis d'environ 7/32 po (5,5 mm). Alignez les fentes au dos du chargeur avec les vis exposées et insérez-les entièrement dans les fentes.

## ASSEMBLAGE ET AJUSTEMENTS



**AVERTISSEMENT** : afin de réduire le risque de blessure corporelle, éteignez et retirez le bloc-piles avant d'effectuer tout ajustement ou de retirer/installer des pièces ou des accessoires. Un démarrage accidentel peut causer des blessures.

### Fixation et retrait de la lame (Fig. B)

1. Relever le protège-lame inférieur **7** et insérer la lame **6** et les rondelle de fixation **11** comme illustré à la Figure **B**.
2. Enfoncer le dispositif de verrouillage de la broche **14** tout en tournant la boulon de retenue de lame **12** avec la clé hexagonale **17** jusqu'à ce que le verrou de la lame s'engage et que la lame s'immobilise.  
**REMARQUE** : la clé hexagonale est rangée sur la scie comme illustré dans la Figure **A**.
3. Serrer solidement la vis de serrage de la lame avec la clé hexagonale.

**REMARQUE** : Le boulon a un filetage à droite. Pour dévisser, tournez dans le sens contraire des aiguilles d'une montre. Pour visser, tournez dans le sens des aiguilles d'une montre.

**REMARQUE** : ne jamais enclencher le verrou de la lame alors que la scie fonctionne ou de l'utiliser pour immobiliser l'outil. Ne jamais mettre la scie en marche avec le dispositif de verrouillage de la lame engagé. Ces actions pourront se solder par de graves dommages à la scie.

### Soutien de grands panneaux/fixation de la pièce (Fig. C–F)

Soutenir les grands panneaux pour réduire le risque de pincement et d'effet de rebond de la lame. Les grands panneaux s'affaissent sous leur propre poids, comme montré à la Figure **C**.

Installer des pièces d'appui sous le panneau, des deux côtés, près de la ligne de coupe et du bord du panneau (Figure **D**).



**AVERTISSEMENT** : ne jamais tenir la pièce dans ses mains ou la placer de travers sur ses jambes pour la couper (Figure **E**).

Fixer solidement la pièce à une plateforme stable, comme montré à la Figure **F**. Il est important de soutenir la pièce correctement afin de minimiser l'exposition des parties du

corps à la lame, de coincer celle-ci ou de perdre la maîtrise de l'outil.

### Réglage de la profondeur de coupe (Fig. G, H)

La profondeur de la coupe doit être réglée selon l'épaisseur de la pièce.

1. Pour ajuster la profondeur de coupe, desserrer le poignée d'ajustement de profondeur **13** qui déverrouillera la base-patin de la semelle **5**.
2. Alignez le patin de la scie à la profondeur de coupe désirée indiquée sur l'échelle la bande de profondeur.
3. Régler l'ajustement de profondeur de la scie de sorte qu'une seule dent **19** de la lame dépasse de la surface inférieure de la pièce **20** tel qu'illustré à la Figure **H**.
4. Serrer le bouton ou le levier pour verrouiller la semelle de la scie en place.

### Réglage de l'angle de biseau (Fig. I)

La scie peut être réglée pour des angles de biseau entre 0° and 56°.

1. Desserrer le bouton ou le poignée d'ajustement de biseau **9** pour débloquer la semelle de la semelle **5**.
2. Placer la base-patin à l'angle désiré indiqué sur le rapporteur de biseau sur la échelle de réglage de biseau **10**.
3. Serrer le bouton de réglage de biseautage pour verrouiller la semelle de la scie en position.
4. Confirmer la précision du réglage en vérifiant l'angle de biseau en coupant une pièce de chute.

### Réglage de la semelle pour les coupes de 90° (Fig. J)

La semelle **5** a été fixé par l'usine pour assurer que la lame est perpendiculaire à la chaussure, à 0° réglage de biseau.

Si un réglage supplémentaire s'avère nécessaire, on doit :

1. Régler la scie à un angle de biseautage de 0°.
2. Relever le protège-lame **7**.
3. Desserrer le bouton de réglage du biseautage de poignée d'ajustement de biseau **9**. Déposer une équerre contre la lame de scie **6** et la semelle pour l'ajuster à 90°.
4. Tournez la vis d'étalonnage **21** afin que le patin s'arrête à l'angle approprié.
5. Confirmez la précision du réglage en vérifiant l'équerrage d'une véritable coupe sur une retaille de matériau.

## FONCTIONNEMENT



**AVERTISSEMENT** : afin de réduire le risque de blessure corporelle grave, éteignez l'outil et retirez le bloc-piles avant de transporter, d'effectuer tout ajustement, de nettoyer, de réparer ou de retirer/installer des pièces ou des accessoires. Un démarrage accidentel peut causer des blessures.

## Installation et retrait du bloc-piles (Fig. E)

**AVERTISSEMENT** : s'assurer que l'outil/appareil est en position « Off » avant d'insérer le bloc-piles.

**REMARQUE** : pour une meilleure performance, assurez-vous que le bloc-piles est complètement chargé.

Pour installer le bloc-piles **6** dans l'outil, alignez le bloc-piles avec les glissières à l'intérieur de la poignée de l'outil et glissez-le dans la poignée jusqu'à ce que le bloc-piles soit bien placé dans l'outil et assurez-vous qu'il est enclenché.

Pour retirer le bloc-piles de l'outil, appuyez sur le bouton de libération **16** et tirez-le fermement hors de la poignée de l'outil. Insérez-le dans le chargeur comme indiqué dans la section relative au chargeur du présent manuel.

## Position appropriée des mains (Fig. L)

**AVERTISSEMENT** : afin de réduire le risque de blessure corporelle grave, utilisez **TOUJOURS** la position des mains appropriée comme illustré.

**AVERTISSEMENT** : afin de réduire le risque de blessure grave, tenez **TOUJOURS** solidement en prévision d'une réaction soudaine.

Une position des mains appropriée nécessite une main sur la poignée auxiliaire **3** et une main sur la poignée principale **11**.

## CARACTÉRISTIQUES DE COUPE

Angle de biseau	0° and 56°
Diamètre de lame	7-1/4" (184 mm)
Profondeur de coupe max., biseau 45°	1-31/32" (50mm)
Profondeur de coupe max., biseau 0°	2-9/16" (65mm)
Tr/min à vide	5000

## Interrupteur marche/arrêt (Fig. A)

La scie dispose d'un mécanisme de blocage de l'interrupteur marche/arrêt (détente) pour prévenir un fonctionnement involontaire.

1. Pour utiliser l'outil, enfoncez le bouton de verrouillage **2** d'un côté ou l'autre de la scie et le maintenir ainsi alors que vous enfoncez la interrupteur marche/arrêt **1**.
2. Une fois que la détente est enfoncée et que l'outil est en marche, relâcher le bouton de verrouillage. L'outil continuera de fonctionner tant que la détente sera enfoncée.
3. Pour l'éteindre, simplement la relâcher.

**REMARQUE** : il n'est pas possible de bloquer l'outil en positionnement de marche, et la détente ne doit jamais être bloquée par aucun moyen.

## Frein électrique automatique

La scie est dotée d'un frein de lame électrique automatique qui arrête la lame de la scie dans les 1–2 secondes qui suivent le relâchement de la détente. La fonction est automatique et n'exige aucun réglage.

## Protège-lame inférieur

**AVERTISSEMENT** : le protège-lame inférieur est un dispositif de sécurité destiné à réduire les risques de dommages corporels graves. Ne jamais utiliser la scie sans son protège-lame inférieur, ou s'il est endommagé, mal assemblé ou ne fonctionne pas correctement. Ne pas compter sur le protège-lame inférieur pour vous protéger en toute circonstance. Votre sécurité dépend autant du respect des avertissements et des précautions prises que de l'utilisation correcte de la scie. Vérifier que le protège-lame inférieur se referme correctement avant chaque utilisation comme décrit dans la section Consignes additionnelles de sécurité propres à toutes les scies. Si le protège-lame inférieur manque ou ne fonctionne pas correctement, faire vérifier la scie avant toute utilisation. Pour assurer votre sécurité et la fiabilité du produit, toutes les opérations de réparation, d'entretien et de réglage doivent être effectuées dans un centre de service autorisé ou par du personnel qualifié en utilisant systématiquement des pièces de rechange identiques.

## Vérifier le protecteur inférieur (Fig. A)

1. Éteignez l'outil et débranchez-le de l'alimentation.
2. Tournez le levier rétractable du protecteur inférieur **8** de la position complètement fermée à la position complètement ouverte.
3. Relâchez le levier et observez le protecteur **7** retourner à la position complètement fermée.

L'outil doit être entretenu par un centre de services qualifié si :

- il ne réussit pas à retourner à la position complètement fermée,
- il se déplace de façon intermittente ou lentement, ou
- il entre en contact avec la lame ou toute partie de l'outil dans tous les angles et toutes les profondeurs de coupe.

## Sélection de la lame

La scie circulaire utilise des lames de 184 mm (7-1/4 po) de diamètre ayant un alésage de 15,9 mm (5/8 po) de diamètre. Les lames à utiliser doivent être prévues pour un régime minimum de 6000 tr/min. NE PAS utiliser de meules abrasives.

## Coupes générales

**AVERTISSEMENT** : débrancher le chargeur avant de le nettoyer. Cela réduira le risque de choc électrique. Le risque ne sera pas éliminé en enlevant simplement le bloc-piles.

S'assurer que le protège-lame inférieur fonctionne.

Sélectionner la lame appropriée au matériau à découper.

- Mesurer et marquer le bois à découper.
- Soutenir et fixer solidement la pièce (**Soutien de grands panneaux/fixation de la pièce**).
- Utiliser le matériel de sécurité approprié et requis (**Consigne de sécurité supplémentaire**).



- Protéger et entretenir la zone de travail (**Consignes de sécurité propres à toutes les scies**).
- Insérer le bloc-piles et s'assurer que la détente de la scie fonctionne.

## Ciage

**AVERTISSEMENT** : pour réduire le risque de blessures corporelles graves, toujours tenir l'outil des deux mains.

- Gardez votre corps placé d'un côté ou l'autre de la lame, mais non en ligne avec la lame de la scie. Le rebond pourrait faire en sorte que saute vers l'arrière. Consultez **Consignes de sécurité supplémentaires pour toutes les scies** et **Causes de rebonds et avertissements reliés**.
- Laisser la lame fonctionner librement quelques secondes avant de commencer la coupe.
- Appuyer légèrement sur l'outil tout en effectuant la coupe.
- Travailler en appuyant la semelle sur la pièce.

## Conseils pour une utilisation optimale

- Comme il est impossible d'éviter des éclats le long de la ligne de coupe sur la partie supérieure de l'ouvrage, couper sur le côté où les éclats sont tolérés.
- Lorsque les éclats doivent être limités, par exemple lors de la coupe de stratifiés, fixer une planche de contreplaqué sur la partie supérieure de l'ouvrage.

## Coupe Effectuée À Partir De L'intérieur D'un Matériau (Fig. M)

**AVERTISSEMENT** : ne jamais bloquer le protège-lame inférieur en position haute. Ne jamais déplacer la scie vers l'arrière pendant une coupe interne. Cela pourrait faire sortir la scie de la surface de travail et poser des risques de dommages corporels.

On effectue une coupe interne dans un plancher, un mur ou toute autre surface plane.

1. Régler le patin afin d'obtenir la profondeur de coupe voulue.
2. Pencher la scie vers l'avant et appuyer le devant du patin sur le matériau à couper.
3. À l'aide du levier rétractant du protège-lame inférieur, rétractez le protège-lame inférieur vers le haut. Abaissez l'arrière du patin jusqu'à ce que les dents de scie touchent légèrement la ligne de coupe.
4. Relâchez le protège-lame inférieur (son contact avec la pièce le maintiendra en position ouverte alors que vous commencerez la coupe). Retirez la main du levier rétractant du protège-lame inférieur et agrippez fermement la poignée auxiliaire **(11)**, comme illustré en Figure M. Positionnez corps et bras de façon à pouvoir résister à tout rebond possible.
5. S'assurer que la lame n'est pas en contact avec la surface de coupe avant de démarrer le moteur.
6. Démarrer le moteur et baisser graduellement la scie jusqu'à ce que le patin repose à plat sur la surface. Faire avancer la scie le long de la ligne de coupe jusqu'à ce que cette dernière soit terminée.

7. Relâchez la gâchette et laissez la lame s'arrêter complètement avant de retirer la lame du matériau.
8. Pour commencer toute nouvelle coupe, répétez la procédure ci-dessus.

## Coupes en Long (Fig. M)

Une coupe en long consiste à couper de larges panneaux en bandes plus étroites (couper dans le sens du grain). Il est plus difficile de guider manuellement ce genre de coupe, et l'utilisation d'un guide longitudinal, est recommandée.

## ENTRETIEN

**AVERTISSEMENT** : afin de réduire le risque de blessure corporelle, éteignez l'appareil et retirez le bloc-piles avant d'effectuer tout ajustement ou de retirer/installer des pièces ou des accessoires. Un déclenchement accidentel du démarrage peut causer des blessures.

Votre outil électrique PORTER-CABLE a été conçu pour fonctionner longtemps avec un minimum de entretien. Le fonctionnement continu et satisfaisant de l'outil dépendra d'une entretien adéquate et d'un nettoyage régulier.

## Nettoyage

**AVERTISSEMENT** : enlever les saletés et la poussière hors des événements au moyen d'air comprimé propre et sec, au moins une fois par semaine. Pour minimiser le risque de blessure aux yeux, toujours porter une protection oculaire conforme à la norme ANSI Z87.1 lors du nettoyage.

**AVERTISSEMENT** : ne jamais utiliser de solvants ni d'autres produits chimiques puissants pour nettoyer les pièces non métalliques de l'outil. Ces produits chimiques peuvent affaiblir les matériaux de plastique utilisés dans ces pièces. Utiliser un chiffon humecté uniquement d'eau et de savon doux. Ne jamais laisser de liquide pénétrer dans l'outil et n'immerger aucune partie de l'outil dans un liquide.

## Accessoires

**AVERTISSEMENT** : les accessoires autres que PORTER-CABLE n'ayant pas été testés avec ce produit, leur utilisation avec cet outil peut s'avérer dangereuse. Pour réduire le risque de blessure, seuls les accessoires recommandés par PORTER-CABLE doivent être utilisés avec ce produit.

Les accessoires recommandés pour utilisation avec cet outil sont disponibles à un coût supplémentaire chez votre détaillant local ou dans un centre de services autorisé. Si vous avez besoin d'aide pour localiser un accessoire, contactez PORTER-CABLE appelez au **1-888-848-5175** ou consultez **notre site web : [www.portercable.com](http://www.portercable.com)**.

## Extraction des poussières (Fig. A)

**AVERTISSEMENT** : risque d'inhalation de la poussière. Afin de réduire le risque de blessures, veillez à TOUJOURS porter un masque à poussière homologué.

Votre outil est livré avec un raccord pour l'extraction des poussières **(18)**.

Le raccord pour l'extraction des poussières vous permet de raccorder l'outil à un extracteur de poussière externe, soit en

## FRANÇAIS

utilisant le système AirLock™, soit en utilisant un dispositif standard de 35 mm.

**AVERTISSEMENT :** Utilisez **TOUJOURS** un extracteur conçu conformément aux directives applicables relatives à l'émission de poussière pendant le sciage du bois. La plupart des tuyaux d'aspirateurs s'adaptent directement sur la sortie prévue pour l'extraction des poussières.

## Réparations

Le chargeur et le bloc-piles ne sont pas réparables. Le chargeur ou le bloc-piles ne comportent aucune pièce réparabile.

**AVERTISSEMENT :** pour assurer la **SÉCURITÉ** et la **FIABILITÉ** du produit, les réparations, l'entretien et les réglages doivent être réalisés (cela comprend l'inspection et le remplacement du balai, le cas échéant) par un centre de réparation en usine **PORTER-CABLE** ou un centre de réparation agréé **PORTER-CABLE**. Toujours utiliser des pièces de rechange identiques.

## Enregistrez-vous en ligne

Nous vous remercions de votre achat. Enregistrez votre produit maintenant pour :

- **SERVICE DE GARANTIE :** L'enregistrement de votre produit en ligne vous aide à obtenir un service de garantie efficace au cas où vous auriez un problème avec votre produit.
- **CONFIRMATION DE PROPRIÉTÉ :** En cas de pertes liées aux assurances telles qu'un incendie, une inondation ou un vol, votre enregistrement de propriété servira de preuve de votre achat.
- **POUR VOTRE SÉCURITÉ :** L'enregistrement de votre produit nous permet de vous contacter dans le cas peu probable d'une notification de sécurité requise selon le Federal Consumer Safety Act.
- Inscrivez-vous en ligne sur [www.portercable.com](http://www.portercable.com)

## Garantie limitée de trois ans

PORTER-CABLE réparera ou remplacera sans frais tout appareil défectueux pour cause de défaut de matériau ou de main-d'œuvre sur une période de trois ans à partir de la date d'achat de l'outil (deux ans pour les bloc-piles). Cette garantie ne couvre pas les pièces en panne pour cause d'abus ou d'usure normale de l'outil. Pour plus de détails au sujet de la couverture de la garantie et l'information de réparation sous garantie, visitez [www.portercable.com](http://www.portercable.com) ou contactez le **1-888-848-5175**. Cette garantie ne s'applique pas aux accessoires ou dommages causés par des réparations effectuées ou tentées par d'autres. **CETTE GARANTIE REMPLACE TOUTES LES AUTRES, INCLUANT LES GARANTIES IMPLICITES DE LA QUALITÉ MARCHANDE ET L'APTITUDE POUR UN BUT PARTICULIER, ET EXCLUT TOUS LES DOMMAGES ACCIDENTELS OU CONSÉCUTIFS.** Certaines provinces ne permettent pas de limitation sur la durée de la garantie implicite ou l'exclusion ou la limitation de dommages indirects, alors ces limitations peuvent ne pas s'appliquer à vous. Cette garantie vous donne des droits légaux particuliers et vous pouvez avoir d'autres droits qui varient selon les états ou les provinces.

En plus de la présente garantie, les outils **PORTER-CABLE** sont couverts par notre

### CONTRAT D'ENTRETIEN GRATUIT D'UN AN

**PORTER-CABLE** entretiendra l'outil et remplacera les pièces usées au cours d'une utilisation normale et ce, gratuitement, pendant une période d'un an à compter de la date d'achat.

### GARANTIE DE REMBOURSEMENT DE 90 JOURS

Si l'acheteur n'est pas entièrement satisfait, pour quelque raison que ce soit, du rendement de l'outil électrique ou de la cloueuse **PORTER-CABLE**, celui-ci peut le retourner, accompagné d'un reçu, dans les 90 jours à compter de la date d'achat pour obtenir un remboursement intégral, sans aucun problème.

**AMÉRIQUE LATINE :** cette garantie ne s'applique aux produits vendus en Amérique latine. Pour ceux-ci, veuillez consulter les informations relatives à la garantie spécifique présente dans l'emballage, appeler l'entreprise locale ou consulter le site Web pour les informations relatives à cette garantie.

### REMPACEMENT GRATUIT DES ÉTIQUETTES

**D'AVERTISSEMENT :** si les étiquettes d'avertissement deviennent illisibles ou sont manquantes, composer le **1-888-848-5175** pour en obtenir le remplacement gratuit.

## PORTER CABLE

825 Highway 45 North, Jackson, Tennessee 38305  
(888) 848-5175 • [www.portercable.com](http://www.portercable.com)



**ADVERTENCIA:** Lea todas las advertencias de seguridad e instrucciones. El incumplimiento de las advertencias e instrucciones puede provocar descargas eléctricas, incendios o lesiones graves.



**ADVERTENCIA:** Para reducir el riesgo de lesiones, lea el manual de instrucciones.

## Uso Debido

Esta sierra circular es el diseño para do-it-yourself, aplicaciones de madera de corte.



**ADVERTENCIA:** No corte metales, mampostería, vidrio, cerámica o plástico con esta sierra. Una cuchilla sin filo causar sobrecarga lento, ineficiente corte en el motor de la sierra, fragmentación excesiva y podría aumentar la posibilidad de un contragolpe.

- NO utilice ningún hoja abrasivas.
- Utilice sólo hojas diseñadas para el corte de madera.



**ADVERTENCIA:** Se debe supervisar a los usuarios sin experiencia operen la herramienta. Corte la madera recubierto savia, y otros materiales puede producir sustancias fundidas a acumularse en las puntas de las palas y el cuerpo de la hoja de sierra, lo que aumenta el riesgo de que la hoja de sobrecalentamiento y obligatoria durante el corte.

NO use en condiciones húmedas ni en presencia de líquidos o gases inflamables.

NO permita que los niños toquen la herramienta. Si el operador no tiene experiencia operando esta herramienta, su uso deberá ser supervisado.

## Definiciones: Símbolos y Palabras de

### Alerta de Seguridad

Las siguientes definiciones describen el nivel de gravedad de cada palabra de advertencia. Lea el manual de la herramienta eléctrica y preste atención a estos símbolos.



**PELIGRO:** Indica una situación de peligro inminente que, si no se evita, provocará la muerte o lesiones graves.



**ADVERTENCIA:** Indica una situación de peligro potencial que, si no se evita, podría provocar la muerte o lesiones graves.



**ATENCIÓN:** Indica una situación de peligro potencial que, si no se evita, posiblemente provocaría lesiones leves o moderadas.



(Utilizado sin palabras) indica un mensaje de seguridad relacionado.

**AVISO:** Se refiere a una práctica no relacionada a lesiones corporales que de no evitarse puede resultar en daños a la propiedad.

## ADVERTENCIAS GENERALES DE SEGURIDAD PARA HERRAMIENTAS ELÉCTRICAS



**ADVERTENCIA:** Lea todas las advertencias de seguridad, instrucciones, ilustraciones y especificaciones incluidas con esta herramienta eléctrica. La falla en seguir todas las instrucciones

siguientes puede resultar en descarga eléctrica, incendio y/o lesiones serias.

## CONSERVE TODAS LAS ADVERTENCIAS E INSTRUCCIONES PARA FUTURAS CONSULTAS

El término "herramienta eléctrica" incluido en las advertencias hace referencia a las herramientas eléctricas operadas con corriente (con cable eléctrico) o a las herramientas eléctricas operadas con baterías (inalámbricas).

### 1) Seguridad en el Área de Trabajo

- Mantenga el área de trabajo limpia y bien iluminada.** Las áreas abarrotadas y oscuras propician accidentes.
- No opere las herramientas eléctricas en atmósferas explosivas, como ambientes donde haya polvo, gases o líquidos inflamables.** Las herramientas eléctricas originan chispas que pueden encender el polvo o los vapores.
- Mantenga alejados a los niños y a los espectadores de la herramienta eléctrica en funcionamiento.** Las distracciones pueden provocar la pérdida de control.

### 2) Seguridad Eléctrica

- Los enchufes de la herramienta eléctrica deben adaptarse al tomacorriente. Nunca modifique el enchufe de ninguna manera. No utilice ningún enchufe adaptador con herramientas eléctricas con conexión a tierra.** Los enchufes no modificados y que se adaptan a los tomacorrientes reducirán el riesgo de descarga eléctrica.
- Evite el contacto corporal con superficies con descargas a tierra como, por ejemplo, tuberías, radiadores, cocinas eléctricas y refrigeradores.** Existe mayor riesgo de descarga eléctrica si su cuerpo está puesto a tierra.
- No exponga las herramientas eléctricas a la lluvia o a condiciones de humedad.** Si entra agua a una herramienta eléctrica, aumentará el riesgo de descarga eléctrica.
- No maltrate el cable. Nunca utilice el cable para transportar, tirar o desenchufar la herramienta eléctrica. Mantenga el cable alejado del calor, el aceite, los bordes filosos y las piezas móviles.** Los cables dañados o enredados aumentan el riesgo de descarga eléctrica.
- Al operar una herramienta eléctrica en el exterior, utilice un cable prolongador adecuado para tal uso.** Utilice un cable adecuado para uso en exteriores a fin de reducir el riesgo de descarga eléctrica.
- Si el uso de una herramienta eléctrica en un lugar húmedo es imposible de evitar, utilice un suministro protegido con un interruptor de circuito por falla a tierra (GFCI).** El uso de un GFCI reduce el riesgo de descargas eléctricas.

### 3) Seguridad Personal

- a) **Permanezca alerta, controle lo que está haciendo y utilice el sentido común cuando emplee una herramienta eléctrica. No utilice una herramienta eléctrica si está cansado o bajo el efecto de drogas, alcohol o medicamentos.** Un momento de descuido mientras se opera una herramienta eléctrica puede provocar lesiones personales graves.
- b) **Utilice equipos de protección personal. Siempre utilice protección para los ojos.** En las condiciones adecuadas, el uso de equipos de protección, como máscaras para polvo, calzado de seguridad antideslizante, cascos o protección auditiva, reducirá las lesiones personales.
- c) **Evite el encendido por accidente. Asegúrese de que el interruptor esté en la posición de apagado antes de conectarlo a la fuente de energía o paquete de baterías, o antes de levantar o transportar la herramienta.** Transportar herramientas eléctricas con el dedo apoyado en el interruptor o enchufar herramientas eléctricas con el interruptor en la posición de encendido puede propiciar accidentes.
- d) **Retire la clavija de ajuste o la llave de tuercas antes de encender la herramienta eléctrica.** Una llave de tuercas o una clavija de ajuste que quede conectada a una pieza giratoria de la herramienta eléctrica puede provocar lesiones personales.
- e) **No se estire. Conserve el equilibrio y pñrese adecuadamente en todo momento.** Esto permite un mejor control de la herramienta eléctrica en situaciones inesperadas.
- f) **Use la vestimenta adecuada. No use ropas holgadas ni joyas. Mantenga el cabello, la ropa y los guantes alejados de las piezas en movimiento.** Las ropas holgadas, las joyas o el cabello largo pueden quedar atrapados en las piezas en movimiento.
- g) **Si se suministran dispositivos para la conexión de accesorios con fines de recolección y extracción de polvo, asegúrese de que estén conectados y que se utilicen correctamente.** El uso de dispositivos de recolección de polvo puede reducir los peligros relacionados con el polvo.
- h) **No permita que la familiaridad obtenida a partir del uso frecuente de herramientas le permitan volverse descuidado e ignorar los principios de seguridad de la herramienta.** Una acción descuidada puede causar lesiones severas en una fracción de segundo.

### 4) Uso y Mantenimiento de la Herramienta Eléctrica

- a) **No fuerce la herramienta eléctrica. Utilice la herramienta eléctrica correcta para el trabajo que realizará.** Si se la utiliza a la velocidad para la que fue diseñada, la herramienta eléctrica correcta permite trabajar mejor y de manera más segura.

- b) **No utilice la herramienta eléctrica si no puede encenderla o apagarla con el interruptor.** Toda herramienta eléctrica que no pueda ser controlada mediante el interruptor es peligrosa y debe repararse.
- c) **Desconecte el enchufe de la fuente de alimentación y/o retire la batería, o paquete si es desmontable, de la herramienta eléctrica antes de realizar cualquier ajuste, cambiar accesorios o almacenar herramientas eléctricas.** Estas medidas de seguridad preventivas reducen el riesgo de encender la herramienta eléctrica en forma accidental.
- d) **Guarde la herramienta eléctrica que no esté en uso fuera del alcance de los niños y no permita que otras personas no familiarizadas con ella o con estas instrucciones operen la herramienta.** Las herramientas eléctricas son peligrosas si son operadas por usuarios no capacitados.
- e) **Dé mantenimiento a las herramientas eléctricas y accesorios. Revise que no haya piezas en movimiento mal alineadas o trabadas, piezas rotas o cualquier otra situación que pueda afectar el funcionamiento de la herramienta eléctrica. Si encuentra daños, haga reparar la herramienta eléctrica antes de utilizarla.** Se producen muchos accidentes a causa de las herramientas eléctricas que carecen de un mantenimiento adecuado.
- f) **Mantenga las herramientas de corte afiladas y limpias.** Las herramientas de corte con mantenimiento adecuado y con los bordes de corte afilados son menos propensas a trabarse y son más fáciles de controlar.
- g) **Utilice la herramienta eléctrica, los accesorios y las brocas de la herramienta, etc. de acuerdo con estas instrucciones y teniendo en cuenta las condiciones de trabajo y el trabajo que debe realizarse.** El uso de la herramienta eléctrica para operaciones diferentes de aquellas para las que fue diseñada podría originar una situación peligrosa.
- h) **Mantenga las manijas y superficies de sujeción secas, limpias y libres de aceite y grasa.** Las manijas y superficies de sujeción resbalosas no permiten el manejo y control seguros de la herramienta en situaciones inesperadas.

### 5) Uso y Mantenimiento de la Herramienta con Baterías

- a) **Recargue solamente con el cargador especificado por el fabricante.** Un cargador adecuado para un tipo de paquete de baterías puede originar riesgo de incendio si se utiliza con otro paquete de baterías.
- b) **Utilice herramientas eléctricas sólo con paquetes de baterías específicamente diseñados.** El uso de cualquier otro paquete de baterías puede producir riesgo de incendio y lesiones.
- c) **Cuando no utilice el paquete de baterías, manténgalo lejos de otros objetos metálicos como sujetapapeles, monedas, llaves, clavos, tornillos u otros objetos metálicos pequeños que puedan realizar una conexión desde un terminal**

al otro. Los cortocircuitos en los terminales de la batería pueden provocar quemaduras o incendio.

- d) **En condiciones abusivas, el líquido puede ser expulsado de la batería. Evite su contacto. Si entra en contacto accidentalmente, enjuague con agua. Si el líquido entra en contacto con los ojos, busque atención médica.** El líquido expulsado de la batería puede provocar irritación o quemaduras.
- e) **No use un paquete de batería o herramienta que estén dañados o modificados.** Las baterías dañadas o modificadas pueden presentar un comportamiento impredecible que resulte en incendios, explosión o riesgo de lesiones."
- f) **No exponga un paquete de batería o una herramienta a fuego o temperatura excesiva.** La exposición a fuego o temperaturas mayores a 130 °C (265 °F) pueden causar una explosión."
- g) **Siga todas las instrucciones de carga y no cargue el paquete de batería o la herramienta fuera del rango de temperatura especificado en las instrucciones.** Cargar inadecuadamente o en una temperatura fuera del rango de temperatura especificado puede dañar la batería e incrementar el riesgo de incendio.

## 6) Mantenimiento

- a) **Solicite a una persona calificada en reparaciones que realice el mantenimiento de su herramienta eléctrica y que sólo utilice piezas de repuesto idénticas.** Esto garantizará la seguridad de la herramienta eléctrica.
- b) **Nunca dé servicio a paquetes de batería dañados.** El servicio de paquetes de batería sólo debe ser realizado por el fabricante o proveedores de servicio autorizados.

## Instrucciones de Seguridad para Todas las Sierras

- a) **▲ PELIGRO: Mantenga las manos alejadas del área y de la hoja de corte. Mantenga la otra mano en el mango auxiliar o en la caja del motor.** Si ambas manos están sujetando la sierra, entonces no podrán ser cortadas por la sierra.
- b) **No ponga las manos debajo de la pieza de trabajo.** El protector no puede protegerle de la hoja debajo de la pieza de trabajo.
- c) **Ajuste la profundidad de corte al grosor de la pieza de trabajo.** Menos de un diente completo de los dientes de la hoja debe ser visible debajo de la pieza de trabajo.
- d) **No sujete nunca la pieza que esté cortando en las manos o atravesada sobre una pierna.** Sujete firmemente la pieza de trabajo a una plataforma estable. Es importante soportar apropiadamente la pieza de trabajo para minimizar la exposición del cuerpo, el atasco de la hoja o la pérdida de control.
- e) **Sujete la herramienta mecánica por las superficies de agarre con aislamiento cuando**

**realice una operación en la que la herramienta de corte podría entrar en contacto con cables ocultos.** El contacto con un cable "con corriente" hará que las partes metálicas de la herramienta mecánica que estén al descubierto también "lleven corriente", lo cual causará descargas al operador.

- f) **Cuando corte al hilo, utilice siempre un tope-guía para cortar al hilo o una guía de borde recto.** Esto mejora la precisión del corte y reduce las probabilidades de que la hoja se atasque.
- g) **Utilice siempre hojas que tengan el tamaño correcto y la forma correcta (de diamante frente a redonda) de agujeros para el eje portaherramienta.** Las hojas que no coincidan con los herrajes de montaje de la sierra funcionarán excéntricamente, causando pérdida de control.
- h) **No use nunca arandelas de hoja o un perno de hoja que estén dañados o sean incorrectos.** Las arandelas y el perno de la hoja se diseñaron especialmente para su sierra, con el fin de lograr un rendimiento óptimo y una seguridad óptima de funcionamiento.

## Instrucciones de Seguridad Adicionales para Todas las Sierras

### Causas del Retroceso y su Prevención por el Operador:

- El retroceso es una reacción repentina a una hoja de sierra pellizcada, atascada o desalineada, que hace que una sierra descontrolada se levante y se salga de la pieza de trabajo, hacia el operador.
- Cuando la hoja se pellizca o se atasca fuertemente al cerrarse la sección de corte, la hoja se para y la reacción del motor impulsa la unidad rápidamente hacia atrás, hacia el operador.
- Si la hoja se tuerce o se desalinea en el corte, los dientes ubicados en el borde trasero de la hoja pueden penetrar en la superficie superior de la madera, haciendo que la hoja trepe, se salga de la sección de corte y salte hacia atrás, hacia el operador.

El retroceso es el resultado de un uso inapropiado de la sierra y/o de procedimientos o situaciones de utilización incorrectos y se puede evitar tomando las precauciones apropiadas que se indican a continuación:

- a) **Mantenga un agarre firme con las dos manos en la sierra y posicione los brazos de modo que puedan resistir las fuerzas de retroceso.** Las fuerzas de retroceso pueden ser controladas por el operador, si se toman las precauciones adecuadas.
- b) **Cuando la hoja se esté atascando o cuando se interrumpa un corte por cualquier motivo, suelte el gatillo y sujete la sierra de modo que esté inmóvil en el material hasta que la hoja se detenga por completo. No intente nunca retirar la sierra de la pieza de trabajo ni tirar de la sierra hacia atrás mientras la hoja esté en movimiento o se podría producir retroceso.** Investigue y tome

medidas correctivas para eliminar la causa de atasco de la hoja.

- c) **Cuando reanque una sierra en la pieza de trabajo, centre la hoja de sierra en la sección de corte y asegúrese de que los dientes de la hoja de sierra no estén acoplados en el material.** Si la hoja de sierra se está atascando, podría desplazarse o experimentar retroceso respecto a la pieza de trabajo cuando se arranque la sierra.
- d) **Soporte los paneles grandes para minimizar el riesgo de que la hoja se pellizque y se produzca retroceso. Los paneles grandes tienden a combarse bajo su propio peso.** Se deben colocar soportes debajo del panel a ambos lados, cerca de la línea de corte y cerca del borde del panel.
- e) **No use hojas desafiladas o dañadas.** Las hojas desafiladas o con triscado inapropiado producen una sección de corte estrecha que causa fricción excesiva, atasco de la hoja y retroceso.
- f) **Las palancas de fijación de ajuste de la profundidad y del bisel de la hoja deben estar apretadas y sujetas firmemente antes de realizar el corte.** Si el ajuste de la hoja cambia mientras se realiza el corte, dicho cambio podría causar atasco y retroceso.
- g) **Tenga precaución adicional cuando haga un corte por penetración en paredes existentes u otras áreas ciegas.** La hoja que sobresale podría cortar objetos que pueden causar retroceso.

## Función de protección inferior

- a) **Compruebe el protector inferior para verificar si se cierra apropiadamente antes de cada uso. No utilice la sierra si el protector inferior no se mueve libremente y no se cierra instantáneamente. No sujete nunca con abrazaderas ni amarre el protector inferior en la posición abierta.** Si la sierra se cae accidentalmente, el protector inferior se podría doblar. Suba el protector inferior con el mango retráctil y asegúrese de que se mueve libremente y no toca la hoja ni ninguna otra pieza, en todos los ángulos y profundidades de corte.
- b) **Compruebe el funcionamiento del resorte del protector inferior. Si el protector y el resorte no están funcionando correctamente, se les debe hacer servicio de ajustes y reparaciones antes de la utilización.** El protector inferior podría funcionar con dificultad debido a que haya piezas dañadas, depósitos gomosos o una acumulación de residuos.
- c) **El protector inferior se debe retraer manualmente sólo para realizar cortes especiales, tales como "cortes por penetración" y "cortes compuestos".** Suba el protector inferior por el mango retráctil y, en cuanto la hoja entre en el material, se debe soltar el protector inferior. Para todas las demás operaciones de aserrado, el protector inferior debe funcionar automáticamente.

- d) **Asegúrese siempre de que el protector inferior esté cubriendo la hoja antes de dejar la sierra en un banco de trabajo o en el piso.** Una hoja que se esté moviendo por inercia hasta detenerse y no esté protegida hará que la sierra se desplace hacia atrás, cortando todo aquello que esté en su camino. Tenga en cuenta el tiempo que se requiere para que la hoja se detenga después de soltar el interruptor.

## Información de Seguridad Adicional



**ADVERTENCIA:** Nunca modifique la herramienta eléctrica o ninguna parte de ella. Podría resultar en daño o lesiones personales.



**ADVERTENCIA:SIEMPRE** use gafas de seguridad. Las gafas de uso diario NO son gafas de seguridad. También use una careta o máscara de polvo si la operación de corte produce polvo. SIEMPRE USE EQUIPO DE SEGURIDAD CERTIFICADO:

- Protección para los ojos ANSI Z87.1 (CAN/CSA Z94.3),
- Protección auditiva ANSI S12.6 (S3.19),
- Protección respiratoria NIOSH/OSHA/MSHA.



**ADVERTENCIA:** Algún polvo creado por lijado, aserrado, pulido, perforación eléctricos y otras actividades de construcción contienen químicos conocidos por el Estado de California como causantes de cáncer, defectos de nacimiento u otros daños reproductivos. Algunos ejemplos de estos químicos son:

- plomo a partir de pinturas a base de plomo,
- sílice cristalino de ladrillos y cemento y otros productos de mampostería, y
- arsénico y cromo a partir de madera tratada químicamente.

Su riesgo a partir de estas exposiciones varía, dependiendo de qué tan a menudo realice este tipo de trabajo. Para reducir su exposición a estos químicos: trabaje en un área bien ventilada, y trabaje con equipo de seguridad aprobado, tal como máscaras de polvo que estén diseñadas específicamente para filtrar partículas microscópicas.

- **Use ropa de protección y lave las áreas expuestas con agua y jabón.** Permitir que el polvo entre en su boca, ojos, o que quede sobre la piel puede promover la absorción de químicos peligrosos. Dirija las partículas lejos de la cara y el cuerpo.
- **Use la aspiradora de extracción de polvo adecuada para retirar la mayoría de polvo estático y transportado por aire.** La falla en retirar el polvo estático y transportado por aire podría contaminar el ambiente de trabajo y presentar un riesgo de salud mayor al operador y personas en las cercanías.
- **Utilice abrazaderas u otra forma práctica para asegurar y sostener la pieza de trabajo sobre una plataforma estable. Utilice abrazaderas u otra forma práctica para asegurar y sostener la pieza de trabajo en una plataforma estable.** Sostener el trabajo con la mano o contra el cuerpo no brinda la estabilidad requerida y puede llevar a la pérdida del control.

- **Las ventilas de aire a menudo cubren las partes móviles y se deben evitar.** La ropa suelta, joyería, o el cabello largo podrían quedar atrapados en las partes móviles.



**ATENCIÓN:** Cuando no esté en uso, coloque la herramienta en su lado sobre una superficie estable donde no cause un peligro de tropiezo o caída. Algunas herramientas con paquetes de batería grandes pueden quedar verticales sobre el paquete de batería pero se pueden voltear fácilmente.

La etiqueta en su herramienta puede incluir los siguientes símbolos. Los símbolos y sus definiciones son los siguientes:

V.....volts		.....Construcción Clase II (aislamiento doble)
Hz.....hertz	$n_0$ .....	.....sin carga velocidad
min.....minutos	n.....	.....velocidad nominal
— o DC.....corriente directa	PSI.....	.....libras por pulgada cuadrada
.....Construcción Clase I (conectada a tierra)		.....terminal de tierra
.../min.....por minuto		.....símbolo de alerta de seguridad
BPM.....golpes por minuto		.....radiación visible no mirar directamente a la luz
IPM.....impactos por minuto		.....use protección respiratoria
OPM.....oscilaciones por minuto		.....use protección para los ojos
RPM.....revoluciones por minuto		.....use protección auditiva
sfpm.....pies de superficie por minuto		.....lea toda la documentación
SPM.....carreras por minuto		.....no exponga a la lluvia
A.....ampères		
W.....watts		
Wh.....Watt Horas		
Ah.....amperios hora		
o AC.....corriente alterna		
o CA/CD.....corriente alterna o directa		

## BATERÍAS Y CARGADORES

El paquete de batería no está completamente cargado cuando se retira del cartón. Antes de usar la batería y el cargador, lea las siguientes instrucciones de seguridad y luego siga los procedimientos de carga descritos. Cuando solicite paquetes de baterías de repuesto, asegúrese de incluir el número de catálogo y el voltaje.

### LEA TODAS LAS INSTRUCCIONES

## Instrucciones de seguridad importantes para todos los paquetes de batería



**ADVERTENCIA:** Lea todas las advertencias de seguridad, instrucciones y marcas de precaución para el paquete de la batería, el cargador y el producto. La falla en seguir las advertencias e instrucciones puede resultar en descarga eléctrica, incendio y/o lesiones serias.

- **No cargue o use el paquete de batería en atmósferas explosivas, como en la presencia de líquidos, gases o**

**polvo inflamables.** Insertar o retirar el paquete de batería del cargador puede encender el polvo y los vapores.

- **NUNCA fuerce el paquete de batería dentro del cargador. NO modifique el paquete de batería en ninguna forma para instalarlo en un cargador no compatible ya que el paquete de batería se puede romper causando lesiones personales serias.**
- **Cargue los paquetes de batería sólo en cargadores PORTER-CABLE.**
- **NO salpique ni sumerja en agua u otros líquidos.**
- **NO permita que agua o ningún otro líquido entre al paquete de batería.**
- **No almacene ni use la herramienta y el paquete de baterías en lugares donde la temperatura pueda alcanzar o exceder los 104 °F (40 °C) (como cobertizos exteriores o edificios de metal en verano).** Para obtener la mejor vida útil, guarde los paquetes de baterías en un lugar fresco y seco.
- **NOTA: No guarde los paquetes de baterías en una herramienta con el interruptor de gatillo bloqueado. Nunca sujete con cinta el interruptor de gatillo en la posición ON.**
- **No incinere el paquete de batería incluso si está dañado severamente o está completamente agotada.** El paquete de batería pueden explotar en el fuego. Se crean humos y materiales tóxicos cuando se queman los paquetes de baterías de ion de litio.
- **No exponga un paquete de batería o aparato a fuego o temperatura excesiva.** La exposición a fuego o temperatura mayor a 265 °F (130 °C) puede causar una explosión.
- **Siga todas las instrucciones de carga y no cargue el paquete de batería o el aparato fuera del rango de temperatura especificado en las instrucciones.** Cargar inadecuadamente o en una temperatura fuera del rango especificado puede dañar la batería e incrementar el riesgo de incendio.
- **Si el contenido de la batería entra en contacto con la piel, lave de inmediato el área con jabón suave y agua.** Si el líquido de la batería entra en los ojos, enjuague con agua sobre el ojo abierto durante 15 minutos o hasta que desaparezca la irritación. Si se necesita atención médica, el electrólito de la batería está compuesto por una mezcla de carbonatos orgánicos líquidos y sales de litio.
- **El contenido de las celdas de batería abiertas puede causar irritación respiratoria.** Proporcione aire fresco. Si los síntomas persisten, busque atención médica.
- **El líquido de la batería puede ser inflamable si se expone a chispas o llamas.**
- **Nunca intente abrir el paquete de baterías por ninguna razón. Si la caja del paquete de baterías está agrietada o dañada, no la inserte en el cargador.** No aplaste, deje caer o dañe el paquete de la batería. No use un paquete de baterías o cargador que haya recibido un golpe fuerte, se haya dejado caer, se haya aplastado o dañado de cualquier manera (por ej., perforado con un clavo, golpeado con un martillo, o pisado). Los paquetes

de batería dañados se deben regresar al centro de servicio para reciclaje.

## Recomendaciones de almacenamiento

El mejor lugar de almacenamiento es aquel que es fresco y seco, alejado de la luz solar directa y del exceso de calor o frío. Guarde el paquete de batería completamente cargado fuera del cargador.

## Instrucciones de limpieza de paquete de batería

La suciedad y grasa se pueden retirar del exterior del paquete de batería con una tela o cepillo no metálico suave. No use agua o ninguna solución de limpieza.

## Transporte

**⚠️ ADVERTENCIA: Riesgo de Incendio. No guarde, transporte, o lleve el paquete de batería de forma que objetos de metal puedan tener contacto con las terminales expuestas de la batería.** Por ejemplo, no coloque la batería en delantales, bolsillos, cajas de herramientas, cajas de juego de productos, cajones, etc., con clavos sueltos, tornillos, llaves, monedas, herramientas manuales, etc. Al transportar paquetes de baterías individuales, asegúrese que las terminales de la batería estén protegidas y bien aisladas de materiales que puedan entrar en contacto con ellas y causar un cortocircuito. **NOTA:** Los paquetes de batería de ion de litio no se deben colocar en equipaje de mano en aviones y se deben proteger adecuadamente contra corto circuito si están en el equipaje registrado.

## El Sello RBRC®

Lleve sus paquetes de batería agotados a un centro de servicio autorizado PORTER-CABLE o a su minorista local para reciclarlas. En algunas áreas, es ilegal colocar paquetes de batería gastados en la basura. También puede comunicarse con su centro de reciclaje local para obtener información sobre dónde dejar el paquete de batería agotado. No las coloque en el reciclaje de la acera. Para información adicional visite [www.call2recycle.org](http://www.call2recycle.org).

O llame al número de larga distancia gratuito en el Sello RBRC®. RBRC® es una marca comercial registrada de Call 2 Recycle, Inc.



## Instrucciones de seguridad importantes para todos los cargadores de batería

**⚠️ ADVERTENCIA: Lea todas las advertencias de seguridad, instrucciones y marcas de precaución para el paquete de la batería, el cargador y el producto. La falla en seguir las advertencias e instrucciones puede resultar en descarga eléctrica, incendio y/o lesiones serias.**

- **NO intente cargar el paquete de batería con ningún cargador diferente a un cargador PORTER-CABLE.** Los cargadores y paquetes de batería PORTER-CABLE están diseñados específicamente para trabajar juntos.

- **Estos cargadores no están destinados para ningún otro uso que no sea cargar paquetes de baterías recargables PORTER-CABLE.** Cargar otros tipos de baterías puede causar que se sobrecalienten y exploten, resultando en lesiones personales, daño a la propiedad, incendio, descarga eléctrica o electrocución.
- **No exponga el cargador a la lluvia o la nieve.**
- **NO permita que agua o ningún otro líquido entre al cargador.**
- **Jale por el enchufe en lugar del cable cuando desconecte el cargador.** Esto reducirá el riesgo de daños al enchufe y cable eléctricos.
- **Asegúrese que el cable esté ubicado de forma que no se pueda pisar, provoque tropiezos, o de otra forma esté sujeto a daño o esfuerzo.**
- **No use un cable de extensión a menos que sea absolutamente necesario.** El uso de un cable de extensión inadecuado podría resultar en riesgo de incendio, descarga eléctrica o electrocución.
- **Cuando opere un cargador al aire libre, proporcione siempre un lugar seco y use un cable de extensión adecuado para uso en exteriores.** El uso de un cable adecuado para uso en exteriores reduce el riesgo de descarga eléctrica.
- **Un cable de extensión debe tener un tamaño de cable adecuado (AWG o American Wire Gauge) por seguridad.** Cuanto menor es el número de calibre del cable, el cable será más pesado y por lo tanto su capacidad. Un cable de tamaño inferior causará una caída en el voltaje en línea que resulta en una pérdida de energía y sobrecalentamiento. La siguiente tabla muestra el tamaño correcto a usar dependiendo de la longitud total de todos los cables de extensión juntos, y la clasificación de amperes de la placa de identificación. Si tiene duda, use el calibre más pesado siguiente.

Calibre mínimo para juegos de cable

Voltios	Longitud total de cable en pies (metros)				
	25 (7.6)	50 (15.2)	100 (30.5)	150 (45.7)	
Clasificación de amperes	American Wire Gauge				
					Mayor a
0	6	18	16	16	14
6	10	18	16	14	12
10	12	16	16	14	12
12	16	14	12	No recomendado	

- **No coloque ningún objeto encima del cargador ni coloque el cargador sobre una superficie blanda que pueda bloquear las ranuras de ventilación y provocar un calor interno excesivo.** Coloque el cargador en una posición lejos de cualquier fuente de calor. El cargador se ventila a través de ranuras en la parte superior e inferior del alojamiento.
- **No opere el cargador con un cable o enchufe dañado.** Solicite que los reemplacen de inmediato.
- **No opere el cargador si recibió un golpe fuerte, se dejó caer o se dañó de cualquier manera.** Llévelo a un centro de servicio autorizado.



- **No desensamble el cargador; llévelo a un centro de servicio autorizado cuando se requiera un servicio o reparación.** El reensamble incorrecto puede resultar en un riesgo de descarga eléctrica, electrocución o incendio.
- **El cargador está diseñado para operar con corriente eléctrica doméstica estándar de 120V. No intente usarlo en ningún otro voltaje.** Esto no aplica al cargador de vehículos.
- **Los materiales extraños de naturaleza conductiva tales como, pero sin limitarse a, polvo de pulido, rebabas de metal, lana de acero, papel aluminio, o cualquier acumulación de partículas metálicas se deben mantener alejados de las cavidades y ranuras de ventilación del cargador.**
- **Siempre desconecte el cargador del suministro de energía cuando no haya paquete de baterías en la cavidad.**

## Carga de la batería

Los cargadores PORTER-CABLE están diseñados para cargar paquetes de batería PORTER-CABLE. Los tiempos de carga son: PCC690L en 40–80 mins., PCC691L en 70–140 mins., PCC692/PCC692L en 40–80 mins., y PCC695L/PCC699L en 180–360 mins. dependiendo del paquete que se cargue.

**NOTA:** Consulte la etiqueta cerca de las luces de carga en el cargador respecto a los patrones de parpadeo.

1. Conecte el cargador en un tomacorriente apropiado.
2. Inserte y asiente completamente el paquete de batería.
3. El LED comenzará a parpadear indicando que la batería se está cargando.
4. La terminación de la carga se indica por el LED que permanece encendido continuamente. El paquete está completamente cargado y se puede usar en este momento o dejarse en el cargador.



**ADVERTENCIA:** Sólo cargue baterías en temperatura ambiente mayor a 40 °F (4.5 °C) y menor a 104 °F (+40 °C).

5. El cargador no cargará un paquete de batería defectuoso, lo que puede indicarse por las luces de carga que permanecen apagadas. Lleve el cargador y el paquete de batería a un centro de servicio autorizado si las luces permanecen apagadas.

**NOTA:** Para retirar el paquete de batería, algunos cargadores requieren que se presione el botón de liberación del paquete de batería.

### Falla de batería



El cargador puede detectar una batería débil o dañada. El LED parpadea en el patrón indicado en la etiqueta. Si observa este patrón de parpadeo de falla de batería, no continúe cargando la batería. Regrésela al centro de servicio o un centro de recolección para reciclarla.

### Demora de paquete caliente/frío



Cuando el cargador detecta un paquete de baterías que está demasiado caliente o demasiado frío, la luz parpadea en el patrón indicado en la etiqueta. Inicia automáticamente un

Retraso de paquete caliente/frío, suspendiendo la carga hasta que el paquete de baterías haya alcanzado la temperatura adecuada. El cargador cambia automáticamente al modo de carga del paquete. Esta característica garantiza la vida máxima del paquete de batería.

Un paquete de batería frío puede cargar a un ritmo más lento que un paquete de batería caliente.

## Sistema de protección electrónica

Las herramientas de ion de litio están diseñadas con un Sistema de Protección Electrónica que protegerá el paquete de batería contra sobrecarga, sobrecalentamiento o descarga profunda. La herramienta se apagará automáticamente y el paquete de batería se necesitará volver a cargar.

## Notas Importantes de Carga

1. Se puede obtener una vida más prolongada y mejor desempeño si el paquete de batería se carga cuando la temperatura ambiente esté entre 65 °F – 75 °F (18 ° – 24 °C). NO cargue cuando el paquete de batería esté debajo de +40 °F (+4.5 °C), o arriba de +104 °F (+40 °C). Esto es importante y evitará daño serio al paquete de batería.
2. El cargador y el paquete de baterías pueden calentarse al tacto durante la carga. Esta es una condición normal y no indica un problema. Para facilitar el enfriamiento de la batería después de su uso, evite colocar el cargador o la batería en un ambiente cálido, como en un cobertizo de metal o un remolque sin aislamiento.
3. Si la batería no se carga correctamente:
  - a. Verifique la operación del receptáculo conectando una lámpara u otro aparato;
  - b. Revise si el receptáculo está conectado a un interruptor de luz que apegue la energía cuando apague las;
  - c. Si persisten los problemas de carga, lleve la herramienta, el paquete de batería y el cargador a su centro de servicio local.
4. Puede cargar un paquete parcialmente usado cuando lo desee sin ningún efecto adverso en el paquete de baterías.

## Instrucciones de limpieza de cargador



**ADVERTENCIA:** Riesgo de descarga eléctrica.

Desconecte el cargador del tomacorriente CA antes de limpiar. La suciedad y grasa se pueden retirar del exterior del cargador con una tela o cepillo no metálico suave. No use agua o ninguna solución de limpieza.

## CONSERVE ESTAS INSTRUCCIONES PARA USO FUTURO

## Montaje en Pared

Algunos PORTER-CABLE están diseñados para poderse montar en pared o colocarse vertical sobre una mesa o superficie de trabajo. Si se monta en pared, localice el cargador dentro del alcance de un tomacorriente eléctrico, y lejos de una esquina u otras obstrucciones que puedan impedir el flujo de aire. Use la parte posterior del cargador como una plantilla para la ubicación de los tornillos de

montaje en la pared. Instale el cargador firmemente con tornillos para Tablaroca (adquiridos por separado) por lo menos de 1" (25,4 mm) de largo, con un diámetro de cabeza de tornillo de 0,28–0,35" (7–9 mm), atornillados en madera a una profundidad óptima dejando aproximadamente 7/32" (5,5 mm) de tornillo expuesto. Alinee las ranuras en la parte posterior del cargador con los tornillos expuestos y conéctelos completamente dentro de las ranuras.

## ENSAMBLE Y AJUSTES



**ADVERTENCIA:** Para reducir el riesgo de lesiones personales severas, apague la unidad y retire el paquete de batería antes de realizar cualquier ajuste o retirar/instalar conexiones o accesorios. Un arranque accidental puede causar lesiones.

## Colocación y Remoción de la Hoja (Fig. B)

1. Repliegue el protector inferior **7** y arme la hoja de la sierra **6** y la arandela de sujeción de cuchilla exterior **11** como se muestra en la Figura B
2. Oprima el botón de bloqueo del eje **14** mientras gira el perno de retención de cuchilla **12** con la llave hexagonal **17** hasta que el bloqueo de la hoja trabaje y la hoja deje de girar.

**NOTA:** La llave hexagonal se guarda en la sierra como se muestra en la Figura A.

3. Ajuste bien el tornillo de ajuste de la hoja con la llave hexagonal.

**NOTA:** El perno tiene rosca a la derecha. Para aflojar, gire en sentido contrario a las manecillas del reloj. Para apretar, gire en sentido de las manecillas del reloj.

**NOTA:** Nunca trabaje el bloqueo de la hoja con la sierra en funcionamiento ni intente trabar la hoja para detener la herramienta. Nunca encienda la sierra mientras el bloqueo de la hoja esté trabado. Esto ocasionaría daños graves a la sierra.

## Soporte de Paneles Grandes/Fijación de la Pieza de Trabajo (Fig. C–F)

Sujete los paneles grandes para minimizar el riesgo de que la hoja se pellizque y se produzca el retroceso. Los paneles grandes tienden a combarse por su propio peso, como se muestra en la Figura C.

Se deben colocar soportes bajo el panel, a ambos lados, cerca de la línea de corte y cerca del borde del panel (Figura D).



**ADVERTENCIA:** Para reducir el riesgo de lesiones Nunca sostenga la pieza que está cortando con las manos ni la coloque sobre su pierna (Figura E).

Fije la pieza de trabajo a una plataforma estable, como se muestra en la Figura F. Es importante sostener el trabajo correctamente para reducir al mínimo la exposición del cuerpo, el atascamiento de la hoja y la pérdida del control.

## Ajuste de la Profundidad de Corte (Fig. G, H)

La profundidad de corte debe fijarse en función del grosor de la pieza de trabajo.

1. Afloje la perilla de regulación de profundidad **13** para desbloquear la zapata de la sierra **5**.

2. Alinee la zapata de la sierra con la profundidad de corte deseada indicada en las marcas de la escala en la correa de profundidad.
3. Regule la profundidad de la sierra de manera que sólo un diente **19** de la hoja sobresalga bajo la pieza de trabajo **20**, como se muestra en la Figura H.
4. Apriete la palanca o perilla para bloquear la zapata de la sierra en el lugar.

## Regulación del Ángulo de Bisel (Fig. I)

Esta herramienta puede fijarse para biselar ángulos entre 0° and 56°.

1. Afloje la perilla de regulación de bisel **9** para desbloquear la zapata **5** de la sierra..
2. Mueva la zapata de la sierra a la posición deseada correspondiente con las marcas de ángulo de bisel en la zapata **10**.
3. Ajuste la perilla de regulación de bisel para trabar la zapata de la sierra en el lugar.
4. Confirme la exactitud de la configuración marcando el ángulo de bisel de corte actual en un pequeño trozo de material.

## Ajuste de la Zapata para Cortes de 90° (Fig. J)

El zapata **5** ha sido fijado por la fábrica para asegurar que la hoja esté perpendicular a la zapata a 0° ajuste de bisel.

Si se requieren ajustes adicionales:

1. Ajuste la sierra a un bisel de 0°.
2. Repliegue el protector de la hoja de la sierra con escala de profundidad **7**.
3. Afloje la perilla de regulación de bisel **9**. Coloque una escuadra contra la hoja **6** y la zapata para realizar el ajuste de 90°.
4. Gire el tornillo de calibración **21** de forma que la zapata se detenga en el ángulo adecuado.
5. Confirme la precisión del ajuste verificando la cuadratura de un corte real en una pieza de desecho del material.

## OPERACIÓN



**ADVERTENCIA:** Para reducir el riesgo de lesiones personales severas, apague la unidad y retire el paquete de batería antes de realizar cualquier ajuste o retirar/instalar conexiones o accesorios. Un arranque accidental puede causar lesiones.

## Instalación y Desinstalación de Paquete de Batería (Fig. E)



**ADVERTENCIA:** Asegúrese que la herramienta/aparato esté en la posición de apagado antes de insertar el paquete de batería.

**NOTA:** Para mejores resultados, asegúrese que su paquete de batería esté completamente cargado.

Para instalar el paquete de batería **6** en la manija de la herramienta, alinee el paquete de la batería con los rieles dentro de la manija de la herramienta y deslícelo en la manija hasta que el paquete de batería esté asentado firmemente en la herramienta y asegúrese que no se desconecte.

Para retirar el paquete de batería de la herramienta, presione el botón de liberación **16** y jale firmemente el paquete de batería fuera de la manija de la herramienta. Insértelo en el cargador como se describe en la sección de cargador de este manual.

## Colocación Adecuada de Manos (Fig. 1)



**ADVERTENCIA:** Para reducir el riesgo de lesiones personales serias, **SIEMPRE** use la posición de las manos adecuada como se muestra.



**ADVERTENCIA:** Para reducir el riesgo de lesiones personales serias, **SIEMPRE** sostenga firmemente en anticipación de una reacción repentina.

La posición adecuada de las manos requiere una mano en la manija auxiliar **3** y la otra en la manija principal **11**.

## ESPECIFICACIONES DE CORTE

Ángulo de bisel	0° and 56°
Tamaño de cuchilla	7-1/4" (184 mm)
Profundidad Máxima de corte, bisel 45°	1-31/32" (50mm)
Profundidad Máxima de corte, bisel 0°	2-9/16" (65mm)
RPM, sin carga	5000

## Interruptor (Fig. A)

Sierra está equipada con una función de bloqueo de desconexión para evitar la operación accidental.

- Para utilizar la herramienta, pulse con el botón de bloqueo en apagado **2** de cada lado de la sierra y mantenerla en su como usted pisa el interruptor de gatillo **1**.
- After you have depressed the trigger and the tool is running, release the lock-off button. La herramienta continuará funcionando mientras se aprieta el gatillo.
- Para apagar la herramienta, suelte el interruptor de gatillo.

**NOTA:** Esta herramienta no tiene ninguna posibilidad de bloqueo de la herramienta, y el interruptor no debe ser bloqueado en cualquier otro medio.

## Freno Eléctrico Automático

Su sierra esté equipada con un freno de la cuchilla eléctrico que detiene la hoja de sierra en cuestión de segundos 1-2 de soltar el gatillo. Este es automática y no requiere ningún ajuste.

## Protector Inferior de la Hoja



**ADVERTENCIA:** El protector inferior de la hoja es una característica de seguridad que reduce el riesgo de lesiones corporales graves. Nunca use la sierra si el protector inferior de la hoja no se encuentra en la sierra, si está dañado, mal ensamblado o si no funciona debidamente. No dependa del protector inferior de la hoja para protegerlo en cualquier circunstancia. Su seguridad depende de las siguientes advertencias y precauciones, como también de la operación debida de la sierra. Revise el protector inferior

de la hoja para ver la manera debida de cerrarla antes de cada uso como se describe en Instrucciones de seguridad adicionales para todas las sierras. Si el protector inferior de la hoja no se encuentra en la sierra, repárela antes de usarla otra vez. Para garantizar la seguridad y confiabilidad del producto, las reparaciones, el mantenimiento y el ajuste deben realizarlos los centros de servicio autorizados u otras organizaciones de servicio calificadas, usando siempre repuestos idénticos.

## Revisión de la Protección Inferior (Fig. A)

- Apague la herramienta y desconéctela del suministro de energía.
- Gire la palanca de retracción de la protección inferior **8** desde la posición completamente cerrada a la posición completamente abierta.
- Libere la palanca y observe que la protección **7** regrese a la posición completamente cerrada.

Un centro de servicio calificado debe dar servicio a la herramienta si:

- falla en regresar a la posición completamente cerrada,
- se mueve intermitente o lentamente, o
- hace contacto con la cuchilla o cualquier parte de la herramienta en todos los ángulos y profundidad de corte.

## Selección de la Hoja

Esta sierra circular está diseñada para utilizar hojas de 184 mm (7-1/4") de diámetro, con 15,9 mm (5/8") de diámetro interior. Las hojas deben estar clasificadas para un funcionamiento a 6000 RPM (o más). NO utilice discos abrasivos.

## Cortes Generales



**ADVERTENCIA:** Para reducir el riesgo de lesiones, luego de retirar la batería, siga todas las instrucciones de montaje, regulación e instalación.

Asegúrese de que el protector inferior funcione. Seleccione la hoja correcta para el material a cortar.

- Mida y marque el trabajo para cortarlo.
- Sostenga y asegure correctamente el trabajo (consulte las **Soporte de Paneles Grandes/Fijación de la Pieza de Trabajo**).
- Utilice los equipos de seguridad apropiados y requeridos (consulte las **Instrucción Adicional de Seguridad**).
- Afirme y sostenga el área de trabajo (consulte las **Instrucciones de Seguridad para Todas las Sierras**).
- Con la batería colocada, asegúrese de que el interruptor encienda y apague la sierra.

## Aserrado



**ADVERTENCIA:** Para reducir el riesgo de lesiones personales graves, siempre sostenga la herramienta con ambas manos.

- Mantenga su cuerpo colocado en el otro lado de la cuchilla, pero no alineado con la cuchilla de la sierra. El retroceso podría causar que la sierra salte hacia atrás.


Consulte *Instrucciones de seguridad adicionales para todas las sierras y Causas de retroceso y advertencias relacionadas.*

- Deje que la hoja se mueva libremente algunos segundos antes de empezar a cortar.
- Aplique sólo presión ligera a la herramienta mientras realiza el corte.
- Trabaje con la zapata presionada contra la pieza de trabajo.

## Consejos para un Uso Óptimo

- Dado que es imposible que no se formen astillas a lo largo de la línea de corte en la parte superior de la pieza de trabajo, corte en el lado donde es aceptable que haya astillas.
- En los casos donde la formación de astillas debe minimizarse, como en el corte de laminados, sujete una pieza de madera contrachapada sobre la parte superior de la pieza de trabajo.

## Corte Central o de Orificio (Fig. M)

-  **ADVERTENCIA:** Nunca fije el protector inferior de la hoja en la posición elevada. Nunca mueva la sierra hacia atrás cuando haga cortes interiores. Esto podría hacer que la sierra se levante de la superficie de trabajo, lo que podría causar lesiones.


Un corte central es un corte realizado en un piso, una pared u otra superficie plana.

1. Ajuste la base de la sierra de modo que la hoja corte a la profundidad deseada.
2. Incline la sierra hacia adelante y descance la parte anterior de la base sobre el material a cortar.
3. Usando la palanca de retracción del protector inferior de la hoja, retracte el protector inferior de la hoja a una posición ascendente. Baje la parte posterior de la base hasta que los dientes de la hoja casi toquen la línea de corte.
4. Suelte el protector inferior de la hoja (su contacto con la pieza lo mantendrá en una posición que permitirá que se abra libremente conforme inicie el corte). Retire su mano de la palanca de retracción del protector inferior de la hoja y agarre firmemente el mango auxiliar **11**, como lo muestra la Fig. M. Posicione su cuerpo y su brazo de modo que pueda resistir el rebote si esto ocurre.
5. Asegúrese que la hoja no esté en contacto con la superficie de corte antes de arrancar la sierra.
6. Arranque el motor y baje la sierra gradualmente hasta que la base descance completamente plana sobre el material a cortar. Avance la sierra por la línea del corte hasta que el corte se haya completado.
7. Suelte el interruptor tipo gatillo y permita que la hoja se detenga por completo antes de retirar la hoja del material.
8. Cuando inicie un nuevo corte, repita los pasos anteriores.

## Cortes Longitudinales (Fig. M)



Se utiliza un corte longitudinal para cortar tablas anchas en tablas más angostas, cortando al hilo. La guía manual de la sierra es más difícil cuando se utiliza este tipo de sierra y se recomienda el uso de una guía para cortes longitudinales.

## MANTENIMIENTO


-  **ADVERTENCIA:** Para reducir el riesgo de lesiones personales severas, apague la unidad y retire el paquete de batería antes de realizar cualquier ajuste o retirar/instalar conexiones o accesorios. Un arranque accidental puede causar lesiones.

Su herramienta PORTER-CABLE ha sido diseñada para funcionar durante un largo período con un mínimo de mantenimiento. Un funcionamiento continuo satisfactorio depende del cuidado adecuado de la herramienta y de una limpieza periódica.

## Limpieza


-  **ADVERTENCIA:** Sople la suciedad y el polvo de todos los conductos de ventilación con aire seco, al menos una vez por semana. Para reducir el riesgo de lesiones, utilice siempre protección para los ojos aprobada ANSI Z87.1 al realizar esta tarea.
-  **ADVERTENCIA:** Nunca utilice solventes ni otros químicos abrasivos para limpiar las piezas no metálicas de la herramienta. Estos productos químicos pueden debilitar los materiales plásticos utilizados en estas piezas. Utilice un paño humedecido sólo con agua y jabón neutro. Nunca permita que penetre líquido dentro de la herramienta ni sumerja ninguna de las piezas en un líquido.

## Accesorios

-  **ADVERTENCIA:** Ya que los accesorios, diferentes a los ofrecidos por PORTER-CABLE, no han sido probados con este producto, el uso de tales accesorios con esta herramienta podría ser peligroso. Para reducir el riesgo de lesiones, sólo se deben usar accesorios recomendados por PORTER-CABLE con este producto.

Los accesorios recomendados para uso con su herramienta están disponibles por un costo adicional a partir de su distribuidor local o centro de servicio autorizado. Si necesita asistencia para localizar cualquier accesorio, póngase en contacto con PORTER-CABLE llame al **1-888-848-5175** o visite nuestro sitio web: [www.portercable.com](http://www.portercable.com).

## Extracción de polvo (Fig. A)

-  **ADVERTENCIA:** Riesgo de inhalación de polvo. Para reducir el riesgo de daños personales, lleve **SIEMPRE** una máscara antipolvo aprobada.

La herramienta está dotada de un puerto de extracción de polvo **18**.

El puerto de extracción de polvo permite conectar la herramienta a un extractor de polvo externo, usando el sistema AirLock™ o un accesorio de extracción de polvo estándar de 35 mm.

-  **ADVERTENCIA:** Utilice **SIEMPRE** un extractor de aspiración diseñado de conformidad con las directivas

aplicables relativas a la emisión de polvo cuando corte madera. Las mangueras de aspiración de la mayoría de las aspiradoras se adaptan directamente a la salida de extracción de polvo.

## Reparaciones

El Cargador y las unidades de batería no pueden ser reparados. El cargador y la unidad de batería no contienen piezas reparables.



**ADVERTENCIA:** Para asegurar la **SEGURIDAD** y la **CONFIABILIDAD** del producto, las reparaciones, el mantenimiento y los ajustes (inclusive la inspección y el cambio de las escobillas, cuando proceda) deben ser realizados en un centro de mantenimiento en la fábrica PORTER-CABLE u en un centro de mantenimiento autorizado PORTER-CABLE. Utilice siempre piezas de repuesto idénticas.

**Para reparación y servicio de sus herramientas eléctricas, favor de dirigirse al Centro de Servicio más cercano**

### CULIACAN, SIN

Blvd. Emiliano Zapata 5400-1 Poniente Col. (667) 717 89 99  
San Rafael

### GUADALAJARA, JAL

Av. La Paz #1779 - Col. Americana Sector (33) 3825 6978  
Juárez

### MEXICO, D.F.

Eje Central Lázaro Cárdenas No. 18 - Local (55) 5588 9377  
D, Col. Obrera

### MERIDA, YUC

Calle 63 #459-A - Col. Centro (999) 928 5038

### MONTERREY, N.L.

Av. Francisco I. Madero 831 Poniente - Col. (818) 375 23 13  
Centro

### PUEBLA, PUE

17 Norte #205 - Col. Centro (222) 246 3714

### QUERETARO, QRO

Av. San Roque 274 - Col. San Gregorio (442) 2 17 63 14

### SAN LUIS POTOSI, SLP

Av. Universidad 1525 - Col. San Luis (444) 814 2383

### TORREON, COAH

Blvd. Independencia, 96 Pte. - Col. Centro (871) 716 5265

### VERACRUZ, VER

Prolongación Díaz Mirón #4280 - Col. (229) 921 7016  
Remes

### VILLAHERMOSA, TAB

Constitución 516-A - Col. Centro (993) 312 5111

#### PARA OTRAS LOCALIDADES:

**Si se encuentra en México, por favor llame al (55) 5326 7100**

**Si se encuentra en U.S., por favor llame al 1-888-848-5175 o visite nuestro sitio web: [www.portercable.com](http://www.portercable.com)**

## Póliza de Garantía

### IDENTIFICACIÓN DEL PRODUCTO:

Sello o firma del Distribuidor.

Nombre del producto: \_\_\_\_\_

Mod./Cat.: \_\_\_\_\_

Marca: \_\_\_\_\_

Núm. de serie: \_\_\_\_\_

(Datos para ser llenados por el distribuidor)

Fecha de compra y/o entrega del producto: \_\_\_\_\_

Nombre y domicilio del distribuidor donde se adquirió el producto: \_\_\_\_\_

Este producto está garantizado por un año a partir de la fecha de entrega, contra cualquier defecto en su funcionamiento, así como en materiales y mano de obra empleados para su fabricación. Nuestra garantía incluye la reparación o reposición del producto y/o componentes sin cargo alguno para el cliente, incluyendo mano de obra, así como los gastos de transportación razonablemente erogados derivados del cumplimiento de este certificado.

Para hacer efectiva esta garantía deberá presentar su herramienta y esta póliza sellada por el establecimiento comercial donde se adquirió el producto, de no contar con ésta, bastará la factura de compra.

### Excepciones

Esta garantía no será válida en los siguientes casos:

- Cuando el producto se hubiese utilizado en condiciones distintas a las normales;
- Cuando el producto no hubiese sido operado de acuerdo con el instructivo de uso que se acompaña;
- Cuando el producto hubiese sido alterado o reparado por personas distintas a las enlistadas al final de este certificado.

Anexo encontrará una relación de sucursales de servicio de fábrica, centros de servicio autorizados y franquiciados en la República Mexicana, donde podrá hacer efectiva su garantía y adquirir partes, refacciones y accesorios originales.

Solamente para propósito de México:

Importado por: PORTER-CABLE

S.A de C.V.

Antonio Dovali Jaime #70 Torre C Piso 8

Col. Santa Fe Alvaro Obregón,

Ciudad de Mexico, Mexico.

C.P 01210

TEL (52) 55 53267100 R.F.C.BDE8106261W7

## Registro en Línea

Gracias por su compra. Registre su producto ahora para:

- **SERVICIO EN GARANTÍA:** Si completa esta tarjeta, podrá obtener un servicio en garantía más eficiente, en caso de que exista un problema con su producto.
- **CONFIRMACIÓN DE PROPIEDAD:** En caso de una pérdida que cubra el seguro, como un incendio, una

inundación o un robo, el registro de propiedad servirá como comprobante de compra.

- **PARA SU SEGURIDAD:** Si registra el producto, podremos comunicarnos con usted en el caso improbable que se deba enviar una notificación de seguridad conforme a la Federal Consumer Safety Act (Ley Federal de Seguridad de Productos para el Consumidor).
- Registro en línea en [www.portercable.com](http://www.portercable.com).

### Garantía Limitada por Tres Años

PORTER-CABLE reparará o reemplazará, sin cargo, cualquier defecto debido a materiales o mano de obra defectuosos por tres años desde la fecha de compra (dos años para las baterías). Esta garantía no cubre falla de partes debido al desgaste normal o abuso de la herramienta. Para detalles adicionales de la cobertura de la garantía e información de reparación de garantía, visite:

[www.portercable.com](http://www.portercable.com) o llame al **1-888-848-5175**.

Esta garantía no se aplica a accesorios o daño causado cuando otros hayan realizado o intentado reparaciones. ESTA GARANTÍA LIMITADA SE OTORGA EN LUGAR DE TODAS LAS DEMÁS, INCLUIDA LA GARANTÍA IMPLÍCITA DE COMERCIABILIDAD E IDONEIDAD PARA UN PROPÓSITO EN PARTICULAR, Y EXCLUYE TODOS LOS DAÑOS INCIDENTALES O EN CONSECUENCIA. Algunos estados no permiten limitaciones sobre la duración de una garantía implícita o la exclusión o limitación de daños incidentales o en consecuencia, por lo que estas limitaciones pueden no aplicarse en su caso. Esta garantía le da derechos legales específicos y puede tener otros derechos que varían en ciertos estados o provincias.

Además de la garantía, las herramientas PORTER-CABLE están cubiertas por:

### 1 AÑO DE SERVICIO GRATUITO

PORTER-CABLE mantendrá la herramienta y reemplazará las piezas gastadas por su uso normal, sin cobro, en cualquier momento durante un año a contar de la fecha de compra

### GARANTÍA DE REEMBOLSO DE SU DINERO POR 90 DÍAS

Si no está completamente satisfecho con el desempeño de su máquina herramienta o clavadora PORTER-CABLE, cualquiera sea el motivo, podrá devolverlo hasta 90 días de la fecha de compra con su recibo y obtener el reembolso completo de su dinero – sin necesidad de responder a ninguna pregunta.

**AMÉRICA LATINA:** Esta garantía no se aplica a los productos que se venden en América Latina. Para los productos que se venden en América Latina, debe consultar la información de la garantía específica del país que viene en el empaque, llamar a la compañía local o visitar el sitio Web a fin de obtener esa información.

**REEMPLAZO GRATUITO DE LAS ETIQUETAS DE ADVERTENCIAS:** Si sus etiquetas de advertencia se vuelven ilegibles o faltan, llame al **1-888-848-5175** para que se le reemplacen gratuitamente.

### PORTER CABLE

825 Highway 45 North, Jackson, Tennessee 38305  
(888) 848-5175 • [www.portercable.com](http://www.portercable.com)



PORTER-CABLE 4825 Highway 45 North, Jackson, Tennessee 38305  
Copyright © 2022