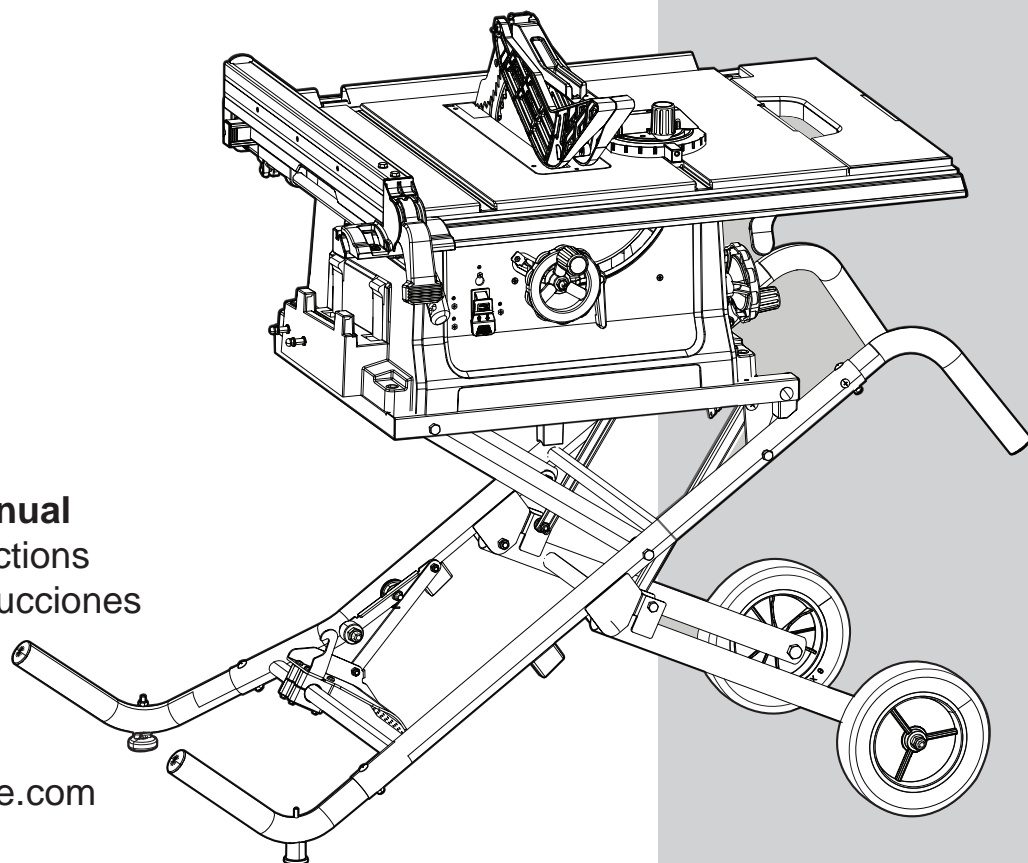


PORTER CABLE®

**10 IN. (254 MM)
JOBSITE TABLE SAW**

**SCIE CIRCULAIRE DE 254 MM
(10 PO) SUR LE LIEU DE TRAVAIL**

**SIERRA DE MESA DE 254 MM
(10 PULG.) PARA LA OBRA**



Instruction Manual
Manuel d'instructions
Manual de instrucciones

www.portercable.com

INSTRUCTIVO DE OPERACIÓN, CENTROS DE
SERVICIO Y PÓLIZA DE GARANTÍA.

⚠ ADVERTENCIA: LÉASE ESTE INSTRUCTIVO
ANTES DE USAR EL PRODUCTO.

CATALOG NUMBER

PCB222TS

TABLE OF CONTENTS

SECTION	PAGE
PRODUCT SPECIFICATIONS.....	2
SAFETY GUIDELINES - DEFINITIONS	3
POWER TOOL SAFETY	4
TABLE SAW SAFETY	6
ELECTRICAL REQUIREMENTS AND SAFETY.....	8
TOOLS NEEDED FOR ASSEMBLY.....	10
CARTON CONTENTS.....	10
KNOW YOUR JOBSITE TABLE SAW.....	12
GLOSSARY OF TERMS.....	13
ASSEMBLY AND ADJUSTMENTS.....	14
OPERATION	26
MAINTENANCE.....	33
TROUBLESHOOTING GUIDE.....	34
ACCESSORIES AND ATTACHMENTS.....	36
PUSH STICK PATTERN.....	37
PARTS LIST.....	38
WARRANTY.....	44

PRODUCT SPECIFICATIONS

MOTOR

Type	Universal
Amps	15
Voltage	120
Hz	60
RPM (no load)	5000
Overload Protection	YES

MITER GAUGE YES

RIP FENCE YES

SAW

Table Size (with table extension)	31-1/2 in. x 19-1/2 in. (800.1 x 495.3 mm)
Extension Fence Capacity	30 in. (762 mm)
Blade Size	10 in. (254 mm)
Arbor Size	5/8 in. (15.9 mm)

CUTTING PACACITY

Maximum Cut Depth @ 90°	3-1/2 in. (89 mm)
Maximum Cut Depth @ 45°	2-1/2 in. (64 mm)
Maximum Dado Cut Width	1/2 in. (12.7 mm)
Maximum Dado Blade Diameter ...	6 in. (152.4 mm)

WARNING

To avoid electrical hazards, fire hazards or damage to the table saw, use proper circuit protection. This table saw is wired at the factory for 110-120 Volt operation. It must be connected to a 110-120 Volt / 15 Ampere time delay fuse or circuit breaker. To avoid shock or fire, replace power cord immediately if it is worn, cut or damaged in any way.

Before using your table saw, it is critical that you read and understand these safety rules. Failure to follow these rules could result in serious injury to you or damage to the table saw.

SAFETY GUIDELINES - DEFINITIONS

WARNING ICONS

Your power tool and its Instruction Manual may contain “WARNING ICONS” (a picture symbol intended to alert you to and/or instruct you how to avoid a potentially hazardous condition). Understanding and heeding these symbols will help you operate your tool better and safer. Shown below are some of the symbols you may see.



SAFETY ALERT: Precautions that involve your safety.



PROHIBITION



WEAR EYE PROTECTION: Always wear safety goggles or safety glasses with side shields.



WEAR RESPIRATORY AND HEARING PROTECTION: Always wear respiratory and hearing protection.



READ AND UNDERSTAND INSTRUCTION MANUAL: To reduce the risk of injury, user and all bystanders must read and understand instruction manual before using this product.



KEEP HANDS AWAY FROM THE MOVING PART AND CUTTING SURFACE: Failure to keep your hands away from the moving part and cutting surface will result in serious personal injury.



SUPPORT AND CLAMP WORK



DANGER

DANGER: Indicates an imminently hazardous situation which, if not avoided, will result in death or serious injury.



WARNING

WARNING: Indicates a potentially hazardous situation which, if not avoided, could result in death or serious injury.



CAUTION

CAUTION: Indicates a potentially hazardous situation which, if not avoided, may result in minor or moderate injury.



NOTICE

NOTICE: Used without the safety alert symbol indicates potentially hazardous situation which, if not avoided, may result in property damage.



WARNING

Some dust created by power sanding, sawing, grinding, drilling and other construction activities contains chemicals known to the state of California to cause cancer, birth defects or other reproductive harm. Some examples of these chemicals are:

- Lead from lead-based paints,
- Crystalline silica from bricks and cement and other masonry products, and
- Arsenic and chromium from chemically-treated lumber.

Your risk from these exposures varies, depending on how often you do this type of work. To reduce your exposure to these chemicals: work in a well ventilated area, and work with approved safety equipment, such as those dust masks that are specially designed to filter out microscopic particles. Avoid prolonged contact with dust from power sanding, sawing, grinding, drilling, and other construction activities. Wear protective clothing and wash exposed areas with soap and water. Allowing dust to get into your mouth, eyes, or lay on the skin may promote absorption of harmful chemicals.



WARNING

Use of this tool can generate and/or disperse dust, which may cause serious and permanent respiratory or other injury. Always use NIOSH/OSHA approved respiratory protection appropriate for the dust exposure. Direct particles away from face and body.


POWER TOOL SAFETY

GENERAL SAFETY INSTRUCTIONS BEFORE USING THIS POWER TOOL




Safety is a combination of common sense, staying alert and knowing how to use your power tool.

WARNING

- **To avoid mistakes that could cause serious injury, do not plug the tool in until you have read and understood the following.**
- **Read all instructions before operating product. Failure to follow all instructions listed below may result in electric shock, fire and/or serious injury.**

1.  **READ** and become familiar with the entire Instruction Manual. **LEARN** the tool's application, limitations and possible hazards.
2. **KEEP GUARDS IN PLACE** and in working order.
3. **REMOVE ADJUSTING KEYS AND WRENCHES.** Form the habit of checking to see that keys and adjusting wrenches are removed from the tool before turning ON.
4. **KEEP WORK AREA CLEAN.** Cluttered areas and benches invite accidents.
5. **DO NOT USE IN DANGEROUS ENVIRONMENTS.** Do not use power tools in damp locations, or expose them to rain or snow. Keep work area well lit.
6. **KEEP CHILDREN AWAY.** All visitors and bystanders should be kept a safe distance from work area.
7. **MAKE WORKSHOP CHILD PROOF** with padlocks, master switches or by removing starter keys.
8. **DO NOT FORCE THE TOOL.** It will do the job better and safer at the rate for which it was designed.
9. **USE THE RIGHT TOOL.** Do not force the tool or an attachment to do a job for which it was not designed.
10. **USE PROPER EXTENSION CORDS.** Make sure your extension cord is in good condition. When using an extension cord, be sure to use one heavy enough to carry the current your product will draw. An undersized cord will result in a drop in line voltage and in loss of power which will cause the tool to overheat. The table on page 8 shows the correct size to use depending on cord length and nameplate

ampere rating. If in doubt, use the next heavier gauge. The smaller the gauge number, the heavier the cord.

11. **WEAR PROPER APPAREL.** Do not wear loose clothing, gloves, neckties, rings, bracelets or other jewelry which may get caught in moving parts. Nonslip footwear is recommended. Wear protective hair covering to contain long hair.
12.  **ALWAYS WEAR EYE PROTECTION.** Any power tool can throw foreign objects into the eyes and could cause permanent eye damage. **ALWAYS** wear Safety Goggles (not glasses) that comply with ANSI Safety standard Z87.1. Everyday eyeglasses have only impact-resistant lenses. They **ARE NOT** safety glasses. **NOTE:** Glasses or goggles not in compliance with ANSI Z87.1 could seriously injure you when they break.
13.  **WEAR A FACE MASK OR DUST MASK.** Sawing operation produces dust.
14.  **SECURE WORK.** Use clamps or a vise to hold work when practical. It is safer than using your hand and it frees both hands to operate the tool.
15. **DISCONNECT TOOLS FROM POWER SOURCE** before servicing, and when changing accessories such as blades, bits and cutters.
16. **REDUCE THE RISK OF UNINTENTIONAL STARTING.** Make sure switch is in the OFF position before plugging the tool in.
17. **USE RECOMMENDED ACCESSORIES.** Consult this Instruction Manual for recommended accessories. The use of improper accessories may cause risk of injury to yourself or others.
18. **NEVER STAND ON THE TOOL.** Serious injury could occur if the tool is tipped or if the cutting tool is unintentionally contacted.
19. **CHECK FOR DAMAGED PARTS.** Before further use of the tool, a guard or other part that is damaged should be carefully checked to determine that it will operate properly and perform its intended function – check for alignment of moving parts, binding of

POWER TOOL SAFETY

moving parts, breakage of parts, mounting and any other conditions that may affect its operation. A guard or other part that is damaged should be properly repaired or replaced.

20. **NEVER LEAVE THE TOOL RUNNING**

UNATTENDED. TURN THE POWER “OFF”. Do not walk away from a running tool until the blade comes to a complete stop and the tool is unplugged from the power source.


21. **DO NOT OVERREACH.** Keep proper footing and balance at all times.

22. **MAINTAIN TOOLS WITH CARE.** Keep tools sharp and clean for best and safest performance. Follow instructions for lubricating and changing accessories.

23. **DO NOT** use power tool in presence of flammable liquids or gases.

24. **DO NOT** operate the tool if you are under the influence of any drugs, alcohol or medication that could affect your ability to use the tool properly.

25. Dust generated from certain materials can be hazardous to your health. Always operate saw in well-ventilated area and provide for proper dust removal.

26.  **WARNING** People with electronic devices, such as pacemakers, should consult their physician(s) before using this product. Operation of electrical equipment in close proximity to a heart pacemaker could cause interference or failure of the pacemaker.


27.  **WEAR HEARING PROTECTION** to reduce the risk of induced hearing loss.

TABLE SAW SAFETY

1. **ALWAYS USE SAW BLADE GUARD**, riving knife and anti-kickback pawls for every through-sawing operation. Through-sawing operations are those in which the blade cuts completely through the workpiece when ripping or crosscutting. Always be sure blade guard is tightened securely.
 2. **ALWAYS HOLD WORK FIRMLY** against the miter gauge or rip fence. Use rip fence for rip cuts and miter gauge for crosscuts. Never use miter gauge and rip fence together.
 3. **ALWAYS USE** a push stick, especially when ripping narrow stock. Refer to ripping instructions in this Instruction Manual where the push stick is covered in detail. A pattern for making your own push stick is included on page 37.
 4. **NEVER PERFORM ANY OPERATION FREEHAND, which means using only your hands to support or guide the workpiece. Always use either the fence or the miter gauge to position and guide the work.**
- ⚠ WARNING**
- FREEHAND CUTTING IS THE MAJOR CAUSE OF KICKBACK AND FINGER/HAND AMPUTATIONS.**
5. **NEVER STAND** or have any part of your body in line with the path of the saw blade. Keep your hands out of the saw blade path.
 6. **NEVER REACH** behind or over the cutting tool for any reason.
 7. **REMOVE** the rip fence when crosscutting.
 8. **DO NOT USE** a molding head with this saw.
 9. **DIRECTION OF FEED.** Feed work into a blade against the direction of rotation of the blade.
 10. **NEVER** use the rip fence as a cut-off gauge when crosscutting.
 11. **NEVER ATTEMPT TO FREE A STALLED SAW BLADE** without first turning the saw OFF and unplugging saw from power source. Turn power switch OFF immediately to prevent motor damage.
 12. **PROVIDE ADEQUATE SUPPORT** to the rear and the sides of the saw table for long or wide workpieces.
 13. **AVOID KICKBACKS** (work thrown back towards you) by keeping the blade sharp, the rip fence parallel to the saw blade and by keeping the riving knife, anti-kickback pawls and guards in place, aligned and functioning. Do not release work before passing it completely beyond the saw blade. Do not rip work that is twisted, warped or does not have a straight edge to guide it along the fence.
 14. **AVOID AWKWARD OPERATIONS** and hand positions where a sudden slip could cause your hand to move into the saw blade.
 15. **NEVER USE SOLVENTS** to clean plastic parts. Solvents could possibly dissolve or otherwise damage the material. Only a soft damp cloth should be used to clean plastic parts.
 16. **MOUNT** your table saw on a bench or stand before performing any cutting operations. Refer to ASSEMBLY AND ADJUSTMENTS on page 14. Secure tool properly to prevent unexpected movement.
 17. **NEVER CUT METALS** or materials that may make hazardous dust.
 18. **ALWAYS USE IN A WELL-VENTILATED AREA.** Remove sawdust frequently. Clean out sawdust from the interior of the saw to prevent a potential fire hazard. Attach a vacuum to the dust port for additional sawdust removal.
 19. **NEVER LEAVE THE SAW RUNNING UNATTENDED.** Do not leave the saw until the blade comes to a complete stop.
 20. For proper operation follow the instructions in this Instruction Manual entitled **ASSEMBLY AND ADJUSTMENTS** (Page 14). Failure to provide sawdust fall-through and removal hole will allow sawdust to build up in the motor area resulting in a fire hazard and potential motor damage.
 21. **USE ONLY** saw blades recommended with warning that the riving knife shall not be thicker than the width of the groove cut by the saw blade and not thinner than the body of the saw blade.
 22. **USE PUSH-STICK OR PUSH BLOCK** to feed the workpiece past the saw blade. The push-stick or push block should always be stored with the machine when not in use.

TABLE SAW SAFETY

SAW BLADE GUARD ASSEMBLY, ANTI-KICKBACK ASSEMBLY AND RIVING KNIFE

Your table saw is equipped with a blade guard assembly, anti-kickback assembly and riving knife that covers the blade and reduces the possibility of accidental blade contact. The riving knife is a flat plate that fits into the cut made by the saw blade and effectively fights kickback by lessening the tendency of the blade to bind in the cut. The blade guard assembly and anti-kickback assembly can only be used when making through cuts that sever the wood. When making rabbets and other cuts that make non through cuts, the blade guard assembly and anti-kickback assembly must be removed and riving knife lowered to the non through cut position marked on the riving knife. Two anti-kickback pawls are located on the sides of the riving knife that allow the wood to pass through the blade in the cutting direction but reduce the possibility of the material being thrown backwards toward the operator. Use all components of the guarding system (blade guard assembly, riving knife and anti-kickback assembly) for every operation for which they can be used including all through cutting. If you elect not to use any of these components for a particular application exercise additional caution regarding control of the workpiece, the use of push sticks, the position of your hands relative to the blade, the use of safety glasses, the means to avoid kickback and all other warnings contained in this manual and on the saw itself. Replace the guarding systems as soon as you return to thru-cutting operations. Keep the guard assembly in working order.

KICKBACKS

KICKBACKS: Kickbacks can cause serious injury. A kickback occurs when a part of the workpiece binds between the saw blade and the rip fence, or other fixed object, and rises from the table and is thrown toward the operator. Kickbacks can be avoided by attention to the following conditions.

How to Avoid Them and Protect Yourself from Possible Injury:

- a. Be certain that the rip fence is parallel to the saw blade.
- b. Do not rip by applying the feed force to the section of the workpiece that will become the cut-off (free) piece. Feed force when ripping should always be applied between the saw blade and the fence; use a push stick for narrow work, 6 in. (152 mm) wide or less.
- c. Keep saw blade guard assembly, riving knife and anti-kickback assembly in place and operating properly. If anti-kickback assembly is not operational, return your unit to the nearest authorized service center for repair. The riving knife must be in alignment with the saw blade and the anti-kickback assembly must stop a kickback once it has started. Check their action before ripping by pushing the wood under the anti-kickback assembly. The teeth must prevent the wood from being pulled toward the front of the saw.
- d. Plastic and composite (like hardboard) materials may be cut on your saw. However, since these are usually quite hard and slippery, the anti-kickback pawls may not stop a kickback. Therefore, be especially attentive to following proper set up and cutting procedures for ripping.
- e. Use saw blade guard assembly, anti-kickback assembly and riving knife for every operation for which it can be used, including all through-sawing.
- f. Push the workpiece past the saw blade prior to release.
- g. Never rip a workpiece that is twisted or warped, or does not have a straight edge to guide along the fence.
- h. Never saw a large workpiece that cannot be controlled.
- i. Never use the fence as a guide or length stop when crosscutting.
- j. Never saw a workpiece with loose knots, flaws, nails or other foreign objects.
- k. Never rip a workpiece shorter than 10 in. (254 mm).
- l. NEVER use a dull blade – replace or have sharpened.
- m. NEVER use a rip fence and miter gauge together.
- n. Keep hands out of saw blade.

ELECTRICAL REQUIREMENTS AND SAFETY

POWER SUPPLY AND MOTOR SPECIFICATIONS

⚠ WARNING

To avoid electrical hazards, fire hazards, or damage to the tool, use proper circuit protection. Use a separate electrical circuit for your tool. Your table saw is wired at the factory for 120V operation. Connect to a 120V, 15 Amp circuit and use a 15 Amp time delay fuse or circuit breaker. To avoid shock or fire, if power cord is worn, cut, or damaged in any way, have it replaced immediately.

GROUNDING INSTRUCTIONS

⚠ WARNING

This tool must be grounded while in use to protect the operator from electrical shock.

IN THE EVENT OF A MALFUNCTION OR BREAKDOWN, grounding provides a path of least resistance for electric currents and reduces the risk of electric shock. This tool is equipped with an electrical cord that has an equipment-grounding conductor and a grounding plug. The plug must be plugged into a matching receptacle that is properly installed and grounded in accordance with all local codes and ordinances.

DO NOT MODIFY THE PLUG PROVIDED. If it will not fit the receptacle, have the proper receptacle installed by a qualified electrician.

IMPROPER CONNECTION of the equipment grounding conductor can result in risk of electric shock. The conductor with the green insulation (with or without yellow stripes) is the equipment grounding conductor. If repair or replacement of the electrical cord or plug is necessary, do not connect the equipment grounding conductor to a live terminal.

CHECK with a qualified electrician or service person if you do not completely understand the grounding instructions, or if you are not certain the tool is properly grounded.

USE only 3-wire extension cords that have three-pronged grounding plugs with three-pole receptacles that accept the tool's plug. Repair or replace damaged or worn cords immediately.

Use a separate electrical circuit for your tool. This circuit must not be less than #14 wire and should be protected with a 15 Amp time delay fuse. Before connecting the motor to the power line, make sure the switch is in the off position and the electric current is rated the same as the current stamped on the motor nameplate. Running at a lower voltage will damage the motor.

GUIDELINES FOR EXTENSION CORDS

USE THE PROPER EXTENSION CORD. Make sure your extension cord is in good condition. Use an extension cord heavy enough to carry the current your product will draw. An undersized cord will cause a drop in line voltage resulting in loss of power, overheating and burning out of the motor. The table below shows the correct size to use depending on cord length and nameplate ampere rating. If in doubt, use the next heavier gauge. The smaller the gauge number, the heavier the cord.

Make sure your extension cord is properly wired and in good condition. Always replace a damaged extension cord or have it repaired by a qualified technician before using it. Protect your extension cords from sharp objects, excessive heat and damp or wet areas.

MINIMUM GAUGE FOR EXTENSION CORDS (AWG)				
(When using 120 volts only)				
Ampere Rating		Total length of Cord		
More Than	Not More Than	25 (7.62)	50 (15.24)	100 150 ft. 30.48 45.72 m
AWG- American Wire Gauge				
0	6	18	16	16 14
6	10	18	16	14 12
10	12	16	16	14 12
12	16	14	12	Not Recommended

⚠ WARNING

This tool is for indoor use only. Do not expose to rain or use in damp locations. This tool is intended for use on a circuit that has a receptacle like the one illustrated in Fig. 1. Fig. 1 shows a three-pronged electrical plug and receptacle that has a grounding conductor. If a properly grounded receptacle is not available, an adapter (Fig. 2) can be used to temporarily connect this plug to a two-contact grounded receptacle.

The adapter (Fig. 2) has a rigid lug extending from it that **MUST** be connected to a permanent earth ground, such as a properly grounded receptacle box.

⚠ CAUTION

In all cases, make certain the receptacle is properly grounded. If you are not sure, have a qualified electrician check the receptacle.

Fig. 1

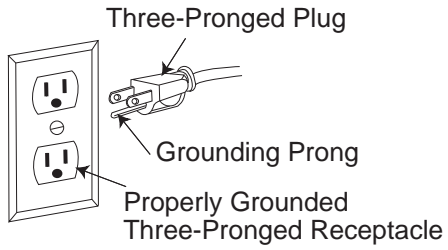
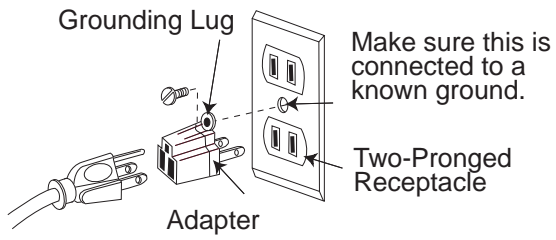


Fig. 2



TOOLS NEEDED FOR ASSEMBLY

Supplied



Blade wrench



Blade wrench

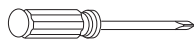


4 mm hex key

Not Supplied



Flat bladed screwdriver



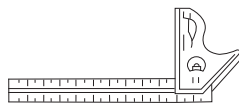
Phillips screwdriver



Straight edge



Adjustable wrench
and 10, 13, 14, 17 mm
wrench



Combination square



2.5 mm, 3 mm,
5 mm hex key

CARTON CONTENTS

UNPACKING AND CHECKING CONTENTS

Carefully unpack the table saw and all its parts, and compare against the list below and the illustration on the next page. With the help of an assistant place the saw on a secure surface and examine it carefully.

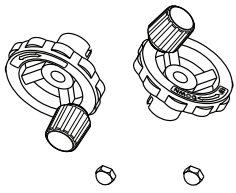
⚠ WARNING

- To avoid injury from unexpected starting or electrical shock, do not plug the power cord into a source of power during unpacking and assembly. The cord must remain unplugged whenever you are adjusting/ assembling the table saw.
- The table saw is heavy and should be lifted with care. If needed, get the assistance of someone to lift and move the table saw.
- If any part is missing or damaged, do not attempt to assemble the table saw, or plug in the power cord until the missing or damaged part is correctly replaced.

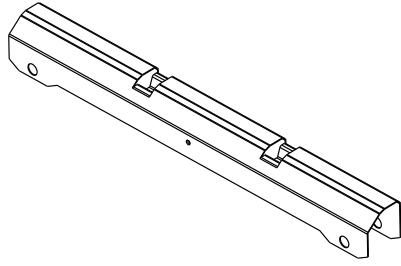
TABLE OF LOOSE PARTS

ITEM	DESCRIPTION	QUANTITY
A.	Handwheel handle hardware bag	1
B.	Rear table extension	1
C.	Rear extension wing tube	2
D.	Rear extension wing hardware bag	1
E.	Anti-kickback pawls assembly	1
F.	Riving knife	1
G.	Blade guard assembly	1
H.	Push stick	1
I.	Rip fence	1
J.	Miter gauge	1
K.	Blade (located on saw base)	1
L.	Blade wrench	2
	4 mm hex key	1
M.	Hex bolt, washer	4 each
N.	Table insert	1
O.	Stand handle	2
P.	Stand leg tube (long)	1
Q.	Stand leg tube (short)	1
R.	Stand leg hardware bag	1
S.	Stand hardware bag	1
T.	Table saw	1
U.	Stand wheel hardware bag	1
	Stand wheel	2
V.	Stand	1

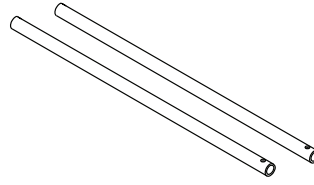
UNPACKING YOUR JOBSITE TABLE SAW



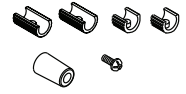
A



B



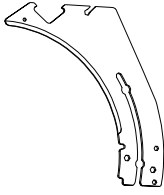
C



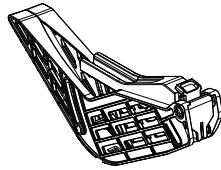
D



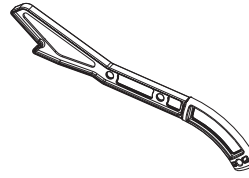
E



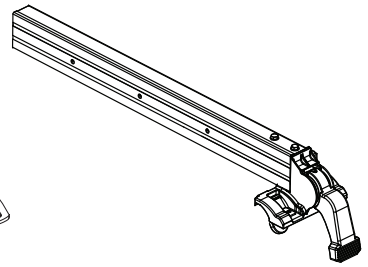
F



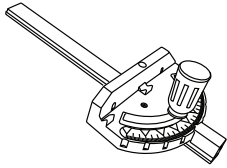
G



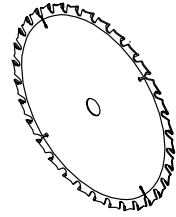
H



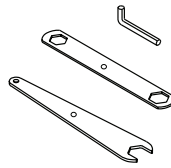
I



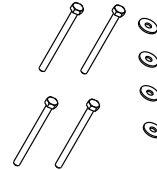
J



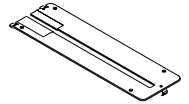
K



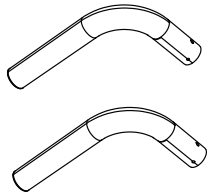
L



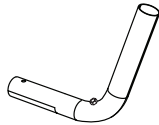
M



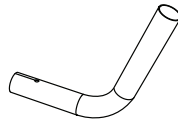
N



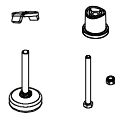
O



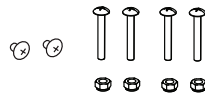
P



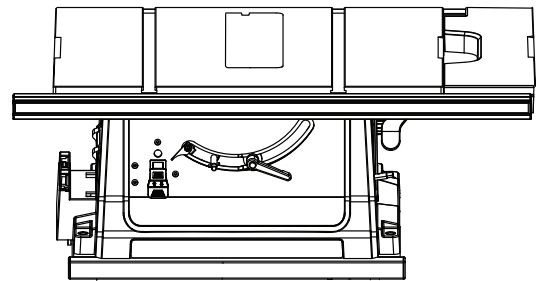
Q



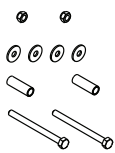
R



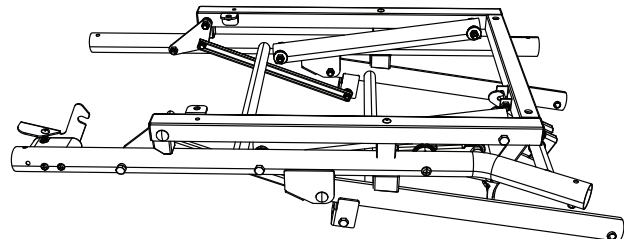
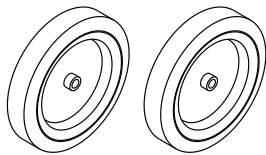
S



T

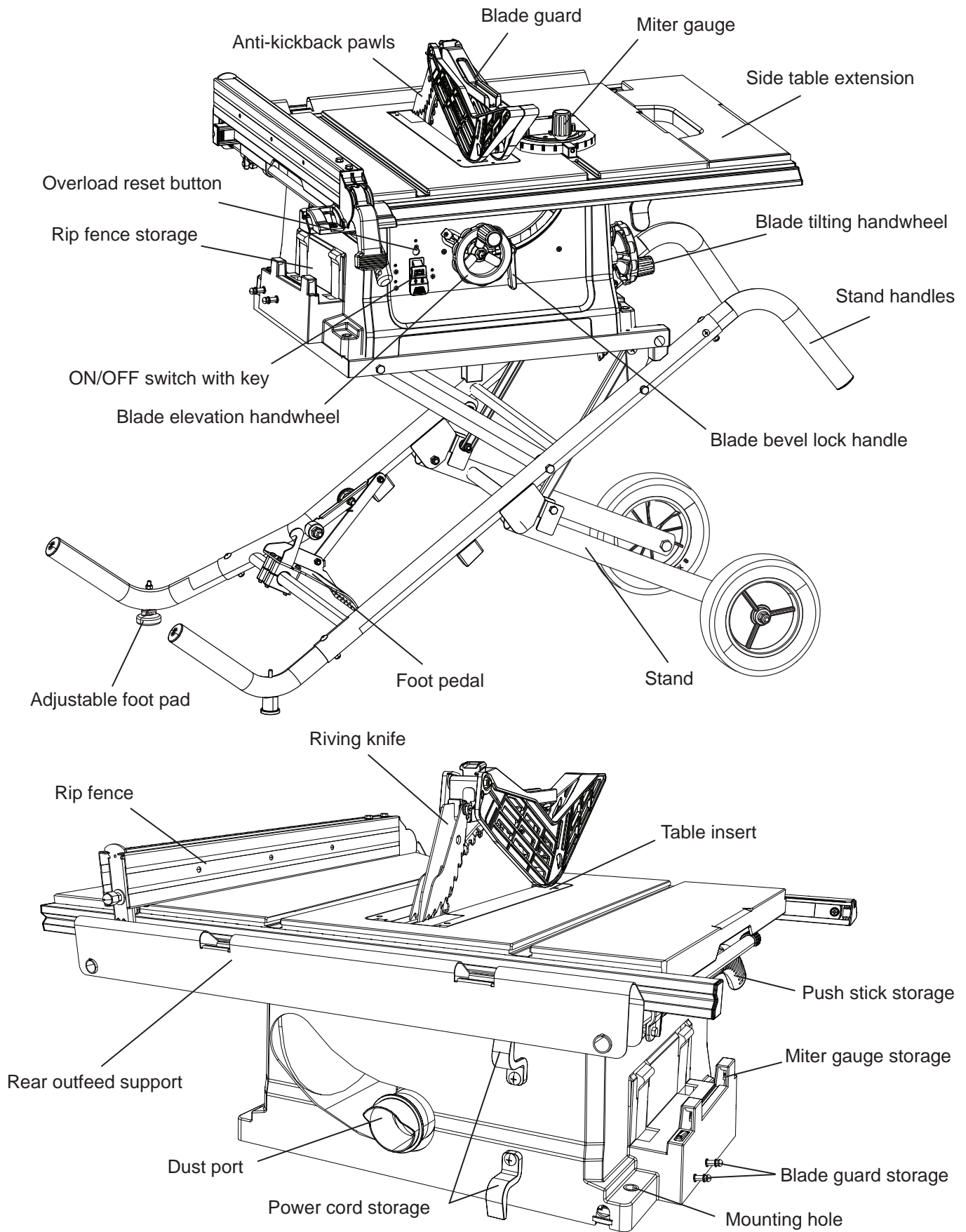


U



V

KNOW YOUR JOBSITE TABLE SAW



GLOSSARY OF TERMS

ANTI-KICKBACK PAWLS – Prevents the workpiece from being kicked upward or back toward the front of the table saw by the spinning blade.

ARBOR – The shaft on which the blade or dado is mounted.

BEVEL CUT – An angle cut made through the face of the workpiece.

BLADE BEVEL SCALE – Measures the angle the blade is tilted when set for a bevel cut.

BLADE ELEVATION AND TILTING HANDWHEEL – Raises and lowers the blade or tilts the blade to angle between 0° and 45° for bevel cuts.

BLADE GUARD – Clear plastic cover that positions itself over the blade while cutting.

COMPOUND CUT – A simultaneous bevel and miter cut.

CROSSCUT – A cut made across the width of the workpiece.

DADO – Special cutting blades that are used to cut grooves in a workpiece.

FEATHERBOARD – When ripping a workpiece on your table saw, this keeps it firmly and safely against the rip fence. It also helps prevent chatter, gouging, and dangerous kickback.

FREEHAND – Performing a cut without using a rip fence, miter gauge, hold down or other proper device to prevent the workpiece from twisting during the cutting operation.

GUM – A sticky sap from wood products.

HEEL – Misalignment of the blade.

JAMB NUT – Nut used to lock another nut in place on a threaded rod or bolt.

KERF – The amount of material removed by the blade cut.

KICKBACK – Occurs when the saw blade binds in the cut and violently thrusts the workpiece back toward the operator.

MITER CUT – An angle cut made across the width of the workpiece.

MITER GAUGE – A guide used for crosscutting operations that slides in the table top channels (grooves) located on either side of the blade. It helps make accurate straight or angle crosscuts.

NON-THROUGH SAWING - Refers to any cut that does not completely cut through the workpiece.

OVERLOAD RESET SWITCH – Protects the motor if it overloads during operation, provides a way to restart the saw.

PUSH STICK – Used to push workpieces when performing ripping operations.

PUSH BLOCK – Used for ripping operation when the workpiece is too narrow to use a push stick. Always use a push block for rip widths less than 2 in. (50.8 mm).

RESAWING - Flipping material to make a cut the saw is not capable of making in one pass.

⚠ WARNING

Do not resaw material with this saw.

REVOLUTIONS PER MINUTE (RPM) – The number of turns completed by a spinning object in one minute.

RIP FENCE – A guide used for rip cutting which allows the workpiece to cut straight.

RIPPING – Cutting with the grain of the wood or along the length of the workpiece.

RIVING KNIFE – A metal piece of the guard assembly located behind and moves with the blade. Slightly thinner than the saw blade, it helps keep the kerf open and prevents kickback.

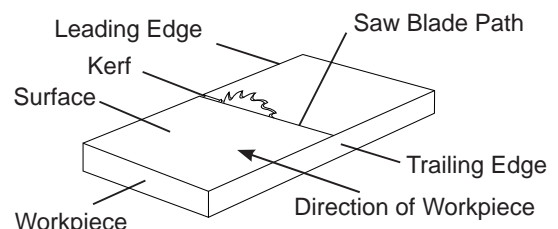
SAW BLADE PATH – The area of the workpiece or table top directly in line with the travel of the blade or the part of the workpiece that will be cut.

SET – The distance between two saw blade tips, bent outward in opposite directions to each other. The further apart the tips are, the greater the set.

TABLE INSERT – Insert that is removed from the table to install / remove blades. When dado cutting, a dado insert plate must be used.

THROUGH SAWING – Making a cut completely through the length or width of a workpiece.

WORKPIECE – Material to be cut.



NOTE: Blade guard assembly is removed for purposes of illustration only.

ASSEMBLY AND ADJUSTMENTS

Estimated Assembly Time: 45 - 60 Minutes.

⚠ WARNING

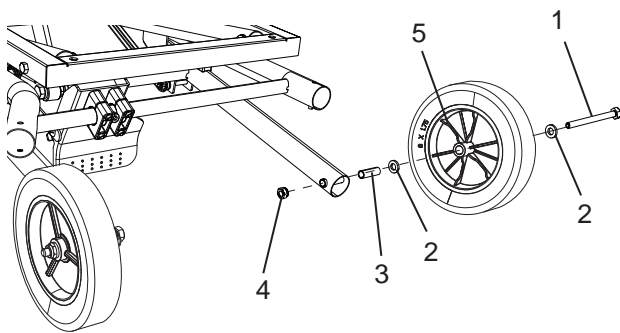
For your safety, never connect plug to power source receptacle until all assembly and adjustment steps are all complete, and you have read and understood the safety instructions.

ASSEMBLING THE STAND (FIG. A, A-1, A-2)

Assembling the wheels (Fig. A)

1. **Bag "S, T"** - Attach one wheel to one side of the lower leg using the hex bolt (1), the two flat washers (2), the sleeve (3) and the nut (4), as shown in Fig. A.
NOTE: Verify that the side of the wheel that has more ribs (5) is facing toward the stand.
2. Tighten using two 17 mm wrenches.
3. Spin the wheel to make sure it moves properly.
4. Repeat the above steps for assembling the other wheel to another side of the lower leg.

Fig. A



Assembling the stand leg tubes (Fig. A-1, A-2)

5. **Bag "O, P, Q"** - Attach the long stand leg tube (1) into the curved stand leg using the bolt (2) and the nut (3) as shown in Fig. A-1.
NOTE: This is the leg tube with the welded nut on the bend area of the leg tube.
6. Tighten with a phillips screwdriver and 10 mm wrench.
7. Repeat steps 5-6 for assembling the other stand leg tube (4) into the straight stand leg.
8. Assemble the foot pad (5) with the bolt (6) and nut (7) in the other stand leg tube (4).
9. Assemble the adjustable foot pad (8) with the wing nut (9) and thread onto the welded nut.
NOTE: This adjustable foot pad is used to level the saw. Loosen the wing nut (9), turn the adjustable foot pad (8) clockwise to raise and counterclockwise to lower the stand, then tighten the wing nut (9). (Fig. A-2)

Fig. A-1

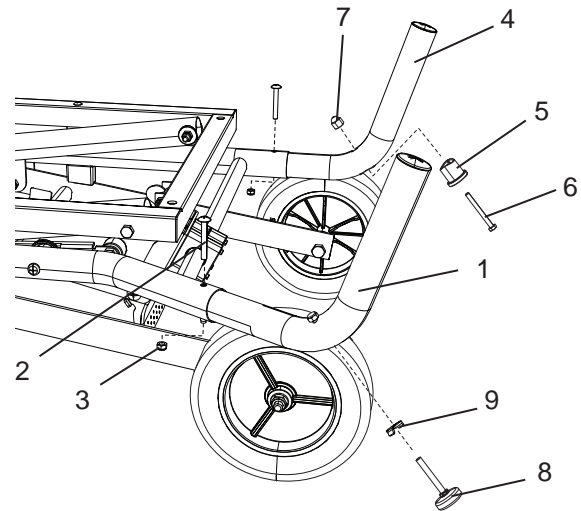
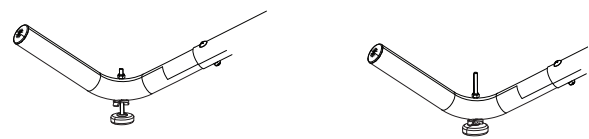


Fig. A-2



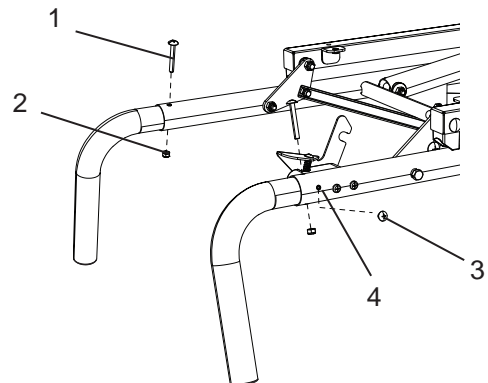
Raise the Stand

Lower the Stand

Assembling the stand handles (Fig. A-3)

10. **Bag "N, Q"** - Attach one stand handle (**NOTE:** Both handles are the same) to one side of the stand using the bolt (1) and nut (2) as shown in Fig. A-3. Tighten with a phillips screwdriver and 10 mm wrench. Repeat step for assembling the other stand handle.
11. Insert the screw (3) into the hole (4) on both handles and tighten with a phillips screwdriver.

Fig. A-3



SETTING UP THE STAND (FIG. B, B-1)

1. Lift up the stand to its vertical position, as shown in step 1 of Fig. B.
2. Unfold the stand by stepping on the foot pedal (1) to release the locking treadle hook (2), and press down on stand handle until the stand is in its lowest position. **NOTE:** You should hear a click when locked in place.

Fig. B

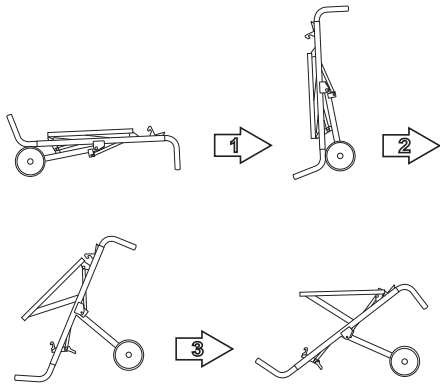
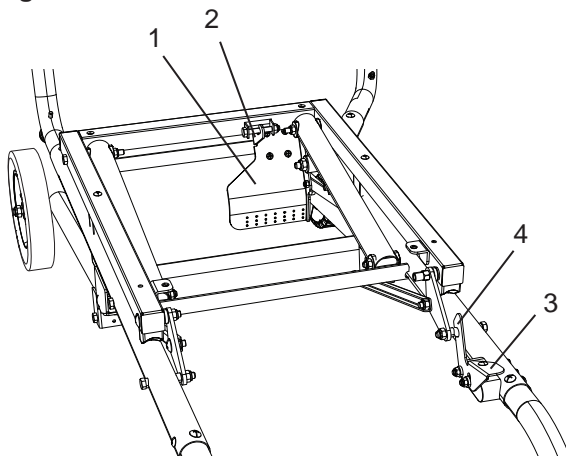


Fig. B-1



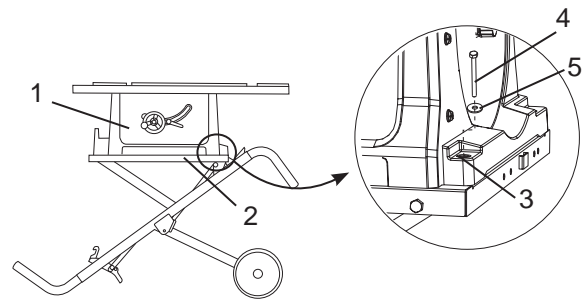
⚠ WARNING

For your safety, never connect plug to power source receptacle until all assembly and adjustment steps are complete, and you have read and understood the safety instructions.

ASSEMBLING TABLE SAW TO STAND (FIG. C)

1. Lift the saw body (1) and place on the stand (2), aligning the four mounting holds (3) on the saw base with the four threaded mounting holes on the top plate of stand.
2. **Bag "M"** - Attach the table saw to the stand with four hex head bolts (4) and washers (5).
3. Tighten all mounting bolts with a 13 mm wrench. **NOTE:** Do not overtighten the four bolts as this may cause damage to the base of the saw.

Fig. C

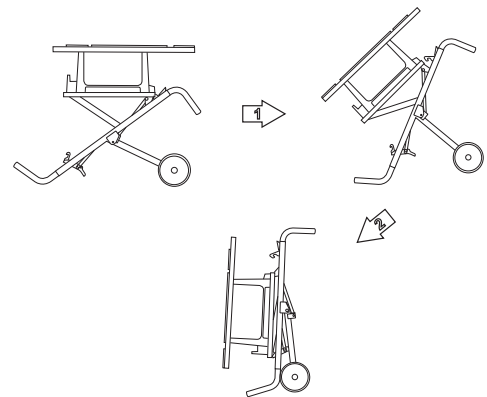


NOTE: Before using the saw, verify that the table saw is securely locked in position.

FOLDING THE STAND (FIG. B-1, D)

1. Hold the stand handle and press down the red stand locking lever (3) to release the hook (4). (Fig. B-1)
2. Slowly lift up on the stand handles until you hear a click from the foot pedal locking in place. Now the stand is folded as shown in Fig. D and is ready for storage or transportation.

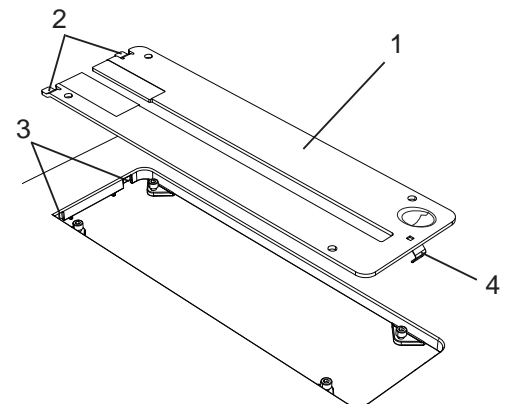
Fig. D



INSTALLING THE TABLE INSERT (FIG. E)

1. To install the table insert (1) onto the saw table, align the two tabs (2) into the two recesses (3) located in the back of the table opening.
2. Press down on the front of the table insert (1) to engage the clip (4) located on the front of the insert. **NOTE:** You should hear a "click" sound when table insert is installed correctly and locked into position.

Fig. E



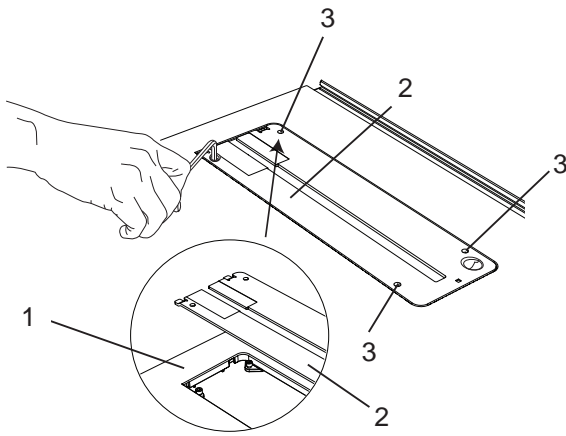
ADJUSTING THE TABLE INSERT (FIG. F)

⚠ WARNING

To avoid serious injury, the table insert (2) must be level with the table. If the table insert is not flush with the table, adjust the four bolts (1) with a 4 mm hex wrench until it is parallel with the table.

NOTE: To raise the insert, turn the hex screws counterclockwise. To lower the insert, turn the hex screws clockwise. Do not remove the insert, adjustments need to be made with the insert in place to get the proper level.

Fig. F

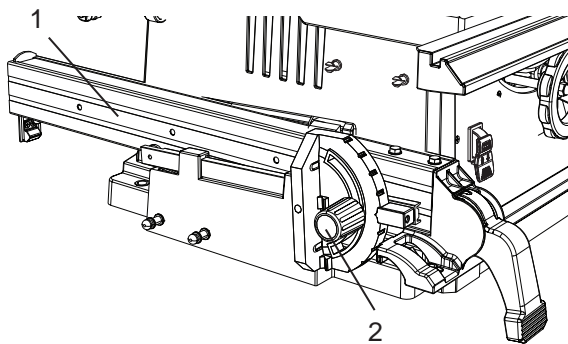


STORAGE

Rip fence and miter gauge storage (Fig. G)

Storage for the rip fence (1), miter gauge (2) are located on the left side of the saw housing.

Fig. G

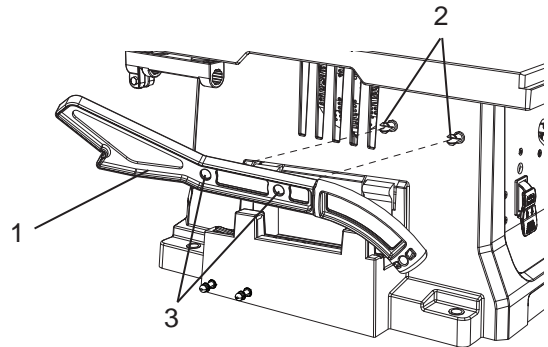


Push stick storage (Fig. H)

A storage holder for the push stick (1) is located on the left side of the saw housing.

1. Store the push stick (1) by hanging it on the holders (2) through the holes (3) of the push stick (1).

Fig. H

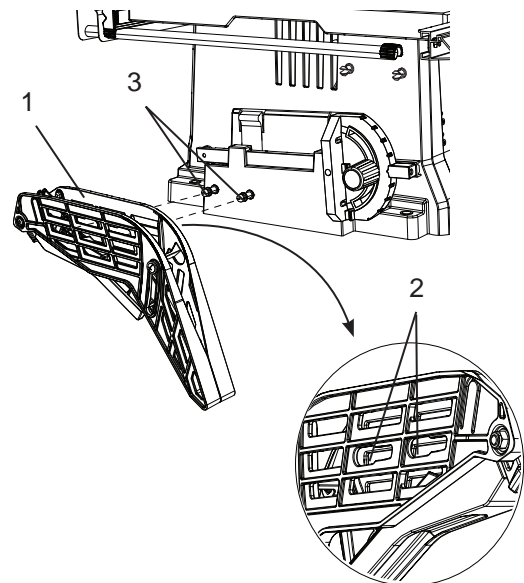


Blade guard assembly storage (Fig. I)

Storage for the blade guard assembly (1) is located on the left side of the saw housing.

1. Take the blade guard assembly (1) and tilt it upside down as shown in Fig. I. Align the two slots (2) on the right side of the blade guard to the holders (3).
2. Slide the assembly forward locking into place.

Fig. I

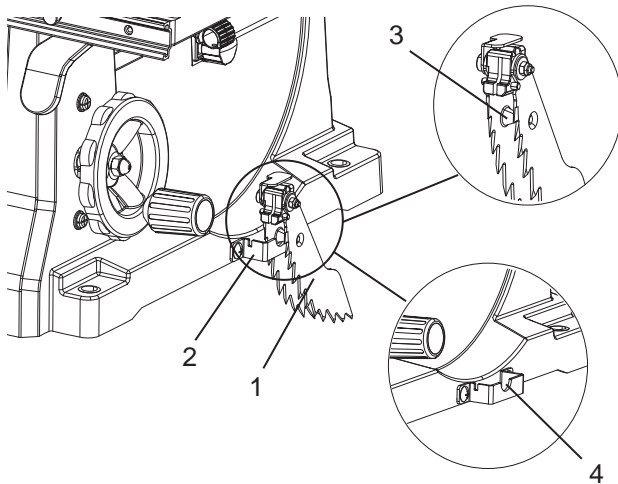


Anti-kickback pawls storage (Fig. J)

Storage for the anti-kickback pawls (1) is located on the right side of the saw housing.

1. Place the anti-kickback pawls (1) on the bracket (2) for storing, make sure the protrusion (3) inside the anti-kickback pawls (1) is engaged in the notch (4) on the bracket (2).

Fig. J

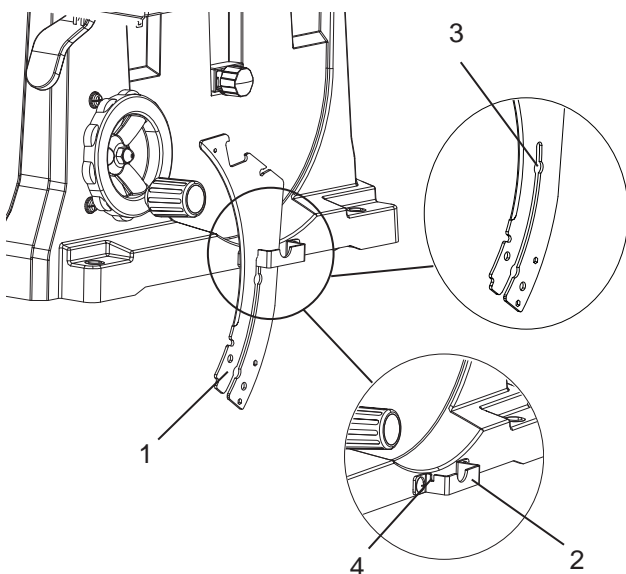


Riving knife storage (Fig. K)

Storage for the riving knife (1) is located on the right side of the saw housing.

1. Insert the riving knife (1) into the bracket (2), make sure the slot (3) of the riving knife is engaged in the notch (4) of the bracket.

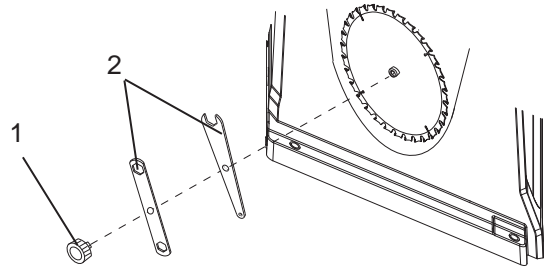
Fig. K



Extra saw blade and blade wrenches storage (Fig. L)

1. Loosen and remove the knob (1) on the right side of the saw housing.
2. Place blade wrenches (2), extra blades (not included) onto the arbor. Replace the knob and tighten.

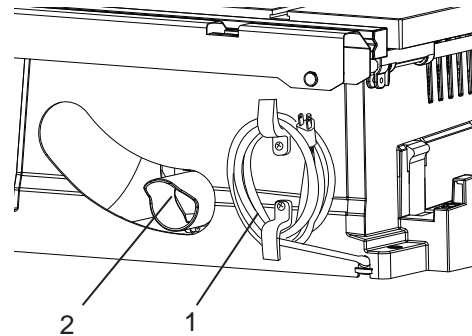
Fig. L



Power cord storage (Fig. M)

Wrap the power cord (1) on the two provided clips located on the back of the saw base. **NOTE:** Do not wrap the power cord around the dust port (2).

Fig. M

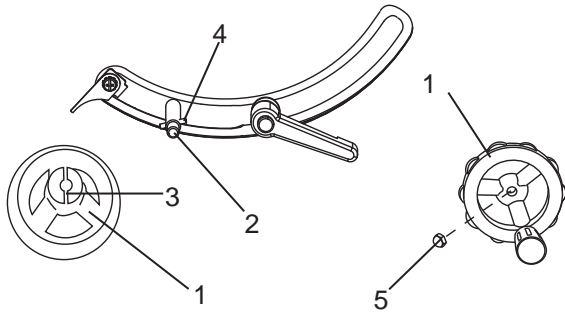


INSTALLING THE BLADE ELEVATION HANDWHEEL (FIG. N)

NOTE: UP-DOWN is printed on this handwheel.

1. Bag "A" - Attach the blade elevation handwheel (1) to the elevation rod (2) at the front of the saw. Make sure the slots (3) in the hub of the handwheel (1) engage with the pins (4) on the saw.
2. Attach and tighten the crown nut (5) using a 13 mm wrench.

Fig. N

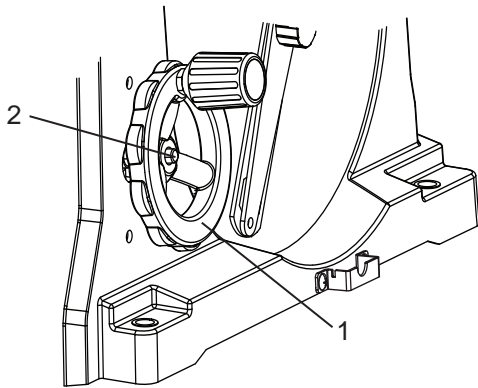


INSTALLING THE BLADE TILTING HANDWHEEL (FIG. O)

NOTE: 0° - 45° is printed on this handwheel.

1. **Bag "A"** - Attach the blade tilting handwheel (1) to the blade tilting rod on the right side of the saw in the same manner as you attached the elevation handwheel.
2. Attach and tighten the crown nut (2) using a 13 mm wrench.

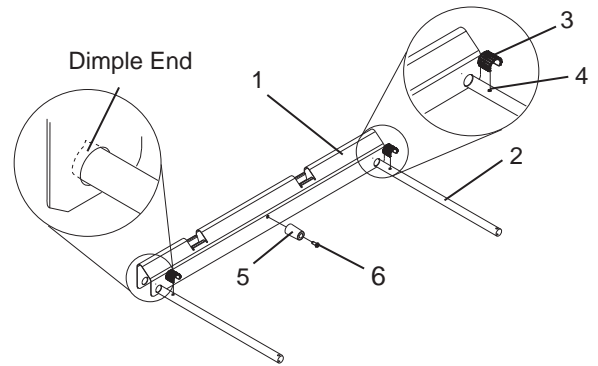
Fig. O



INSTALLING THE REAR OUTFEED SUPPORT (FIG. P, Q)

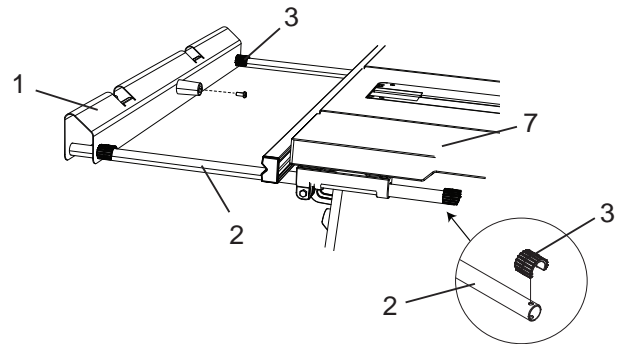
1. **Bag "B, C, D"** - Insert one tube (2) into the rear outfeed support (1). (Fig. P)
NOTE: They must be inserted into the back of the extension with the dimple end last so that the bar will hold the extension in place.
2. Take one of the black plastic stops (3) and place it over the small hole (4) on the tube as shown in Fig. P. The pin inside the stop should snap into place when pressed over the hole in the tube (2). (Fig. P)
3. Insert the other tube the same way onto the support and lock into place with one black plastic stop.
4. Attach the rubber pad (5) to the inside of the rear table extension (1). Thread the screw (6) through the rubber pad (5) with a screwdriver. Do not overtighten the screw (6). (Fig. P)

Fig. P



4. Insert the located tubes (2) into the two extension tube brackets under the table (7). (Fig. Q)
5. Snap two plastic stops (3) over the end of the tubes (2). Make sure the locating pin in the location seats fit into the matching holes in the tubes. (Fig. Q)
NOTE: The slanted top of the rear outfeed support (1) MUST be facing the back of the saw as shown in Fig. Q.

Fig. Q



INSTALLING THE BLADE (FIG. R, S, T)

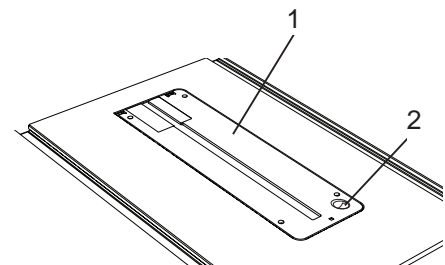
⚠ WARNING

To avoid injury from an accidental start, make sure the switch is in the OFF position and the plug is not connected to the power source outlet.

NOTE: The saw blade is packed in the blade storage located on the right side of base.

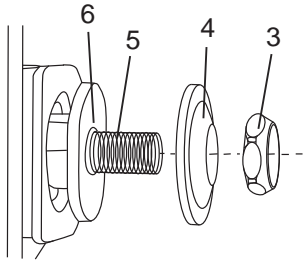
1. Remove the table insert (1) by inserting your finger into the opening (2) and pulling up. Raise the blade to the maximum height position by turning the blade elevation handwheel clockwise. (Fig. R)

Fig. R



- Remove the arbor nut (3) and outer blade flange (4). (Fig. S) **NOTE:** Leave the plastic protective strip around the saw blade at this time. Remove before using the saw for the first time.

Fig. S

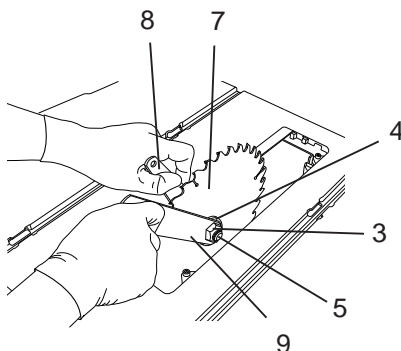


⚠ WARNING

To avoid possible injury and damage to the workpiece, be sure to **INSTALL THE BLADE WITH THE TEETH POINTING TOWARD THE FRONT OF TABLE** in the direction of the rotation arrow on the blade guard.

- Place the blade (7) onto the arbor (5) with the blade teeth pointing forward to the front of the saw. (Fig. T)
- Make sure the blade fits flush against the inner flange (6). (Fig. S)
- Clean the outer blade flange (4) and install it onto the arbor (5) and against the blade (7). (Fig. T)
- Thread the arbor nut (3) onto the arbor, making sure the flat side of the nut is against the blade, then hand-tighten.
- To tighten the arbor nut (3), place the open-end wrench (8) on the flats of the saw arbor to keep the arbor from turning. (Fig. T)
- Place the box-end wrench (9) on the arbor nut (3) and turn clockwise (to the rear of the saw table). (Fig. T)
- Lower the blade to its lowest position and place table insert (1) into position. (Fig. R)

Fig. T



REMOVING THE BLADE (FIG. R, T)

⚠ WARNING

To avoid injury from an accidental start, make sure the switch is in the **OFF** position and the plug is disconnected from the power source outlet.

- Remove the table insert (1) by inserting your finger into the opening (2) and pulling up. Raise the blade to the maximum height position by turning the blade elevation handwheel clockwise. (Fig. R)
- Adjust the blade to the 90° position by unlocking the blade bevel lock handle and turning the blade tilting handwheel counterclockwise, and then lock position.
- To loosen the arbor nut (3), place the open-end wrench (8) on the flats of the saw arbor to keep the arbor from turning. (Fig. T)
- Place the box-end blade wrench (9) on the arbor nut (3) and turn counterclockwise. (Fig. T)
- Remove the arbor nut (3), outer blade flange (4) and blade (7). Clean but do not remove the inner blade flange before reassembling the blade. (Fig. R)

ADJUSTING THE 90° AND 45° POSITIVE STOPS (FIG. U, V)

Your saw has positive stops that will quickly position the saw blade at 90° and 45° to the table. Make adjustments only if necessary.

90° Stop

- Disconnect the saw from the power source.
- Turn the blade elevation handwheel and raise the blade to the maximum height position.
- Loosen the blade bevel lock handle and move the blade (1) to the maximum vertical position, then tighten the lock handle. (Fig. U)
- Place a combination square (2) on the table and against the blade (1) to determine if the blade is 90° to the table. (Fig. U)
- If the blade is not 90° to the table, loosen the two set screws (4), located on the collar (5) underneath the table saw with the 3 mm hex key, and back off the collar. (Fig. V)
- Loosen the blade bevel lock handle, turn the blade tilting handwheel to move the blade until it is 90° to the table and tighten the blade bevel lock handle.
- Adjust the collar (5) so it contacts the bracket (3) when the blade is 90° to the table. Tighten the two set screws (4). (Fig. V)

Fig. U

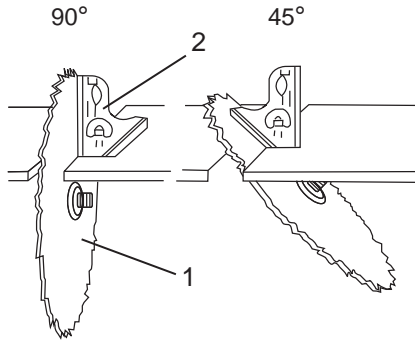
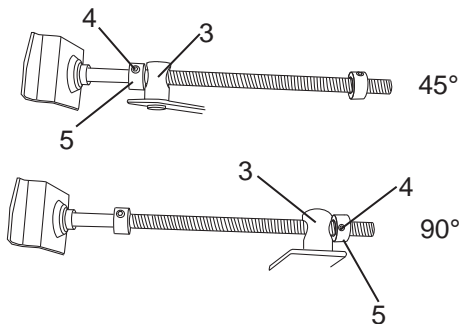


Fig. V



45° Stop

1. With the blade in the upright 90° position, loosen the blade bevel lock handle and move the blade to the maximum bevel angle, then tighten the blade bevel lock handle.
2. Place the combination square on the table as shown in Fig. U to check if the blade is 45° to the table.
3. If the blade is not 45° to the table, loosen the two set screws (4), located on the collar (5) the table saw, with the 3 mm hex key, and back off the collar underneath. (Fig. V)
4. Loosen the blade bevel lock handle, turn the blade tilting handwheel to move the blade until it is 45° to the table, and tighten the blade bevel lock handle.
5. Adjust the collar (5) so it contacts the bracket (3) when the blade is 45° to the table. Tighten the two set screws (4). (Fig. V)

BLADE TILT POINTER

1. When the blade is positioned at 90°, adjust the blade tilt pointer to read 0° on the scale.
2. Loosen the mounting screw, position pointer over 0° and tighten the screw.

NOTE: Make a trial cut on scrap wood before making critical cuts. Measure for exactness.

BLADE PARALLEL TO THE MITER GAUGE GROOVE (FIG. W)

⚠ WARNING

This adjustment was made at the factory, but it must be rechecked and adjusted if necessary.

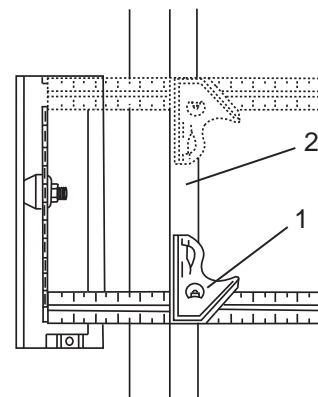
⚠ WARNING

To prevent personal injury:

- Always disconnect plug from the power source when making any adjustments.
- Inaccurate adjustment can result in kickback and serious personal injury. This adjustment must be correct or accurate cuts can not be made.

1. Remove the safety switch key and unplug the saw.
2. Remove the blade guard for this procedure but reinstall and realign after adjustment.
3. Raise the blade to the highest position and set at the 0° angle (90° straight up).
4. Select and mark, with a felt tip maker, a blade tooth having a “right set” and rotate the blade so the marked tooth is 1/2 in. (12.7 mm) above the table.
5. Place the combination square base (1) into the right side miter gauge groove (2).
6. Adjust the rule so it touches the front marked tooth and lock ruler so it holds its position in the square assembly.
7. Rotate the blade bringing the marked tooth to the rear and about 1/2 in. (12.7 mm) above the table.
8. Carefully slide the combination square to the rear until the ruler touches the marked tooth.
9. If the ruler touches the marked tooth at the front and rear position, no adjustment is needed at this time. If not or the base of the ruler is no longer parallel with the edge of the miter gauge groove, perform adjustment procedure described in next section.

Fig. W



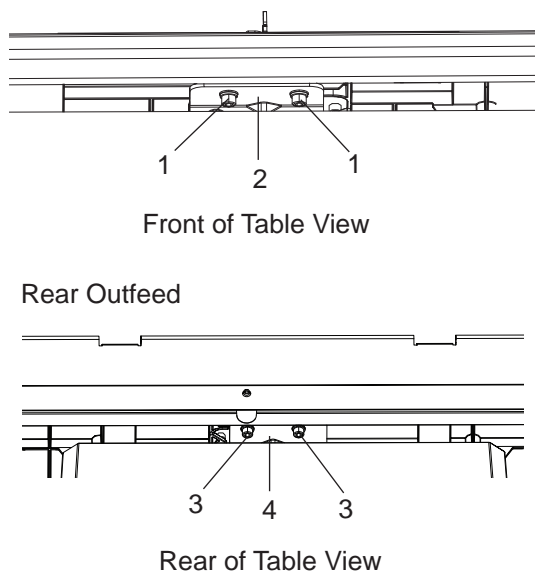
ADDITIONAL BLADE ADJUSTMENTS (FIG. X)

1. Loosen the two alignment bolts (1) clockwise, located on the underside of the table at the front of the saw a half turn with a 5 mm hex wrench.
2. Carefully move the trunnion (2) toward the right or left side until the blade is parallel to the miter gauge slot, and then securely tighten the two bolts counterclockwise.
3. If the blade is still not parallel to the miter gauge slot, loosen the two alignment bolts (3) clockwise, located on the underside of the table at the rear of the saw.
4. Carefully move the trunnion (4) toward the right or left side until the blade is parallel to the miter gauge slot, and then securely tighten all four bolts counterclockwise.

⚠ WARNING

To avoid any injury, after adjustment, make sure all four bolts (1, 3) are tightened securely.

Fig. X



INSTALLING THE RIVING KNIFE (FIG. Y)

1. Remove the table insert.
2. Raise the blade to the maximum height with the blade elevation handwheel.
3. Loosen the riving knife lock knob (1) (minimum of three turns). **NOTE:** This lock knob does not come off unit.
4. To disengage the riving knife lock pin, push the lock knob in.
5. Insert the riving knife (2) into the slot (3) between the plate (4) and the blade support arm.
6. Slide the riving knife down completely and release the lock knob. The lock pin should snap into place.
7. Tighten the riving knife lock knob (1).

NOTE: The riving knife has two positions, the high

position for all through cuts and the lower position for all non-through cuts.

8. Replace the table insert back into its position on the table.

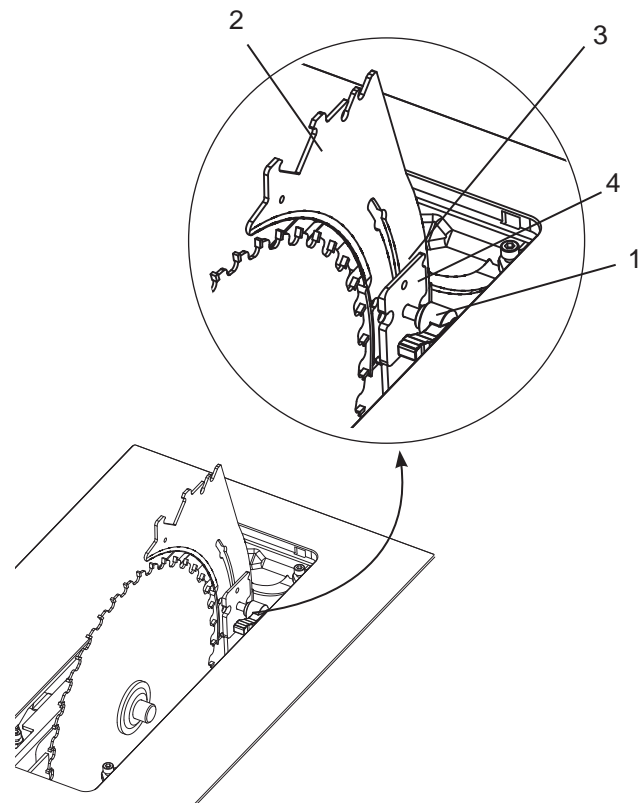
⚠ WARNING

Before connecting the table saw to the power source or operating the saw, always inspect the blade guard assembly and riving knife for proper alignment and clearance with saw blade. Check alignment after each change of bevel angle.

⚠ WARNING

DO NOT operate the saw without the riving knife locked in place, whether for through cutting or non-through cutting positions.

Fig. Y



ALIGNING THE RIVING KNIFE TO BLADE (FIG. Z, AA)

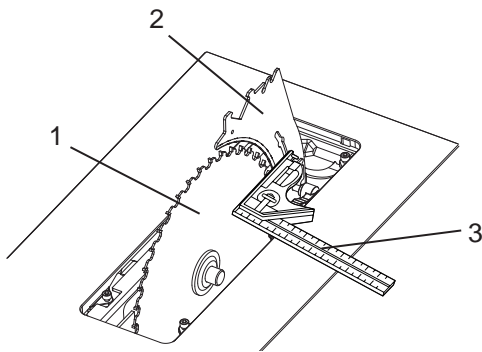
⚠ WARNING

- To avoid injury from an accidental start, make sure the switch is in the OFF position and the plug is disconnected from the power source outlet.
- Never operate this tool without the riving knife in the correct position.
- Never operate this tool without the blade guard in place for all through sawing operations.

- **This adjustment was made at the factory, but it should be rechecked and adjusted if necessary.**

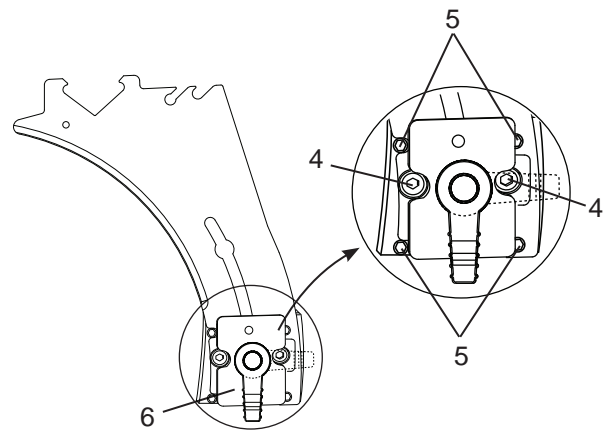
1. Remove the table insert and raise the blade to the maximum height with the blade elevation handwheel.
2. Remove the blade guard and anti-kickback pawls assembly after first time riving knife installation.
3. Adjust the blade to the 0° vertical position by unlocking the blade bevel lock handle and turning the blade tilting handwheel counterclockwise, and then lock into position.
4. To see if the blade (1) and riving knife (2) are correctly aligned, lay a combination square (3) along the side of the blade and against the riving knife (making sure the square is between the teeth of the blade). (Fig. Z)
5. Tilt the blade to the 45° position and check the alignment again.

Fig. Z



6. If the blade and riving knife are not correctly aligned, adjustment is needed. Follow the instructions in below steps.
7. Elevate the blade and riving knife to its highest position and set at 45° degrees.
8. Working from the right hand side of the saw, loosen the two larger lock screws (4) using a 4 mm hex key. (Fig. AA)
9. Adjust four small set screws (5) located on around the riving knife plate (6) by using a 2.5 mm hex key. Adjust all four screws 1/4 turn. Turn the screws to the right (clockwise) to move the riving knife to the right or turn them left (counterclockwise) to move the riving knife to the left.
10. Lightly tighten the two large hex screws (4).
11. Reapply combination square to verify alignment as shown in Fig. Z. If more alignment is required, repeat steps 7 through 10 until the riving knife is aligned correctly with the blade.
12. Once the alignment is achieved, fully tighten the two large hex screws (4).

Fig. AA



NOTE:

- This table saw is provided with a 10 in. (254 mm) diameter blade with a body thickness of 0.07 in. (1.8 mm) thick with a kerf of 0.10 in. (2.6 mm). The riving knife is 0.09 in. (2.2 mm) thick. The blade diameter and the blade body and kerf dimensions must be properly matched with the riving knife thickness.
- The maximum radial distance between the riving knife and the toothed rim of the saw blade is 0.12 in ~ 0.31 in. (3 mm ~ 8 mm).
- The tip of the riving knife shall not be lower than 0.04 in. ~ 0.2 in. (1 mm ~ 5 mm) from the tooth peak.
- The riving knife is thinner than the width of the kerf by approximately 1/64 in. (0.4 mm) on each side.
- The blade body must be thinner than the thickness of the riving knife but the blade kerf must be thicker than the riving knife.

BLADE GUARD AND ANTI-KICKBACK PAWLS ASSEMBLY (FIG. BB, CC, DD, EE)

⚠ WARNING

To avoid injury from an accidental start, make sure the switch is in the OFF position and the plug is disconnected from the power source outlet.

- When installing the blade guard, cover the blade teeth with a piece of folded cardboard to protect yourself from possible injury.
- Never operate this machine without the blade guard in place for all through sawing operations.

Installing the blade guard and anti-kickback pawls assembly (Fig. BB, CC, DD, EE)

1. Make sure the blade is elevated to its maximum height and the bevel is set at 0°. Make sure the blade bevel lock handle is tight.

2. Raise the riving knife (1) to its highest position (through cut position). Take the anti-kickback pawls assembly and lift up the locking lever (2) located on top. (Fig. BB)
3. Place the front of assembly into slot (3) and push down, making sure the assembly is engaged in the slots. Push down on the locking lever (2) to lock. (Fig. BB, CC)

NOTE: Make sure the anti-kickback pawls assembly is locked in position before operating saw.

Fig. BB

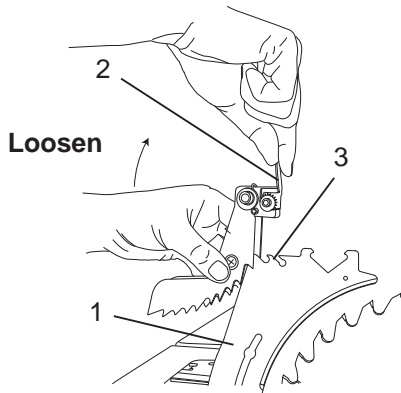
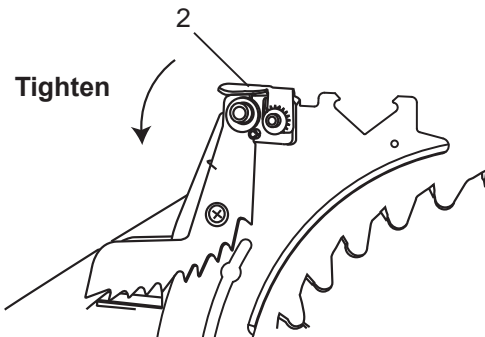


Fig. CC



4. Take the blade guard (4) and press down on the red spring button (5) located on the top of assembly. (Fig. DD)
5. Position blade guard over the riving knife (1) and align the slot (6) to the riving knife (1) as shown in Fig. DD.
6. Lower the guard assembly (4) onto riving knife (1). Release the red spring button (5) so that two latches (7) engage into two locking hooks (8) completely. (Fig. DD, EE)
7. Make sure that the assembly is locked in place both in front and back. (Fig. EE)

⚠ WARNING

To reduce the risk of serious injury, use saw blade guard and riving knife for every operation for which it can be used including all through sawing.

Fig. DD

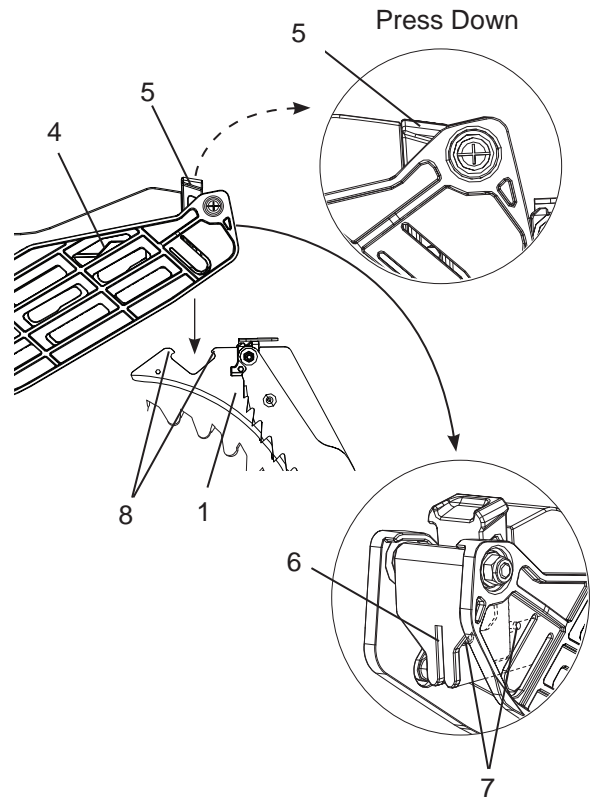
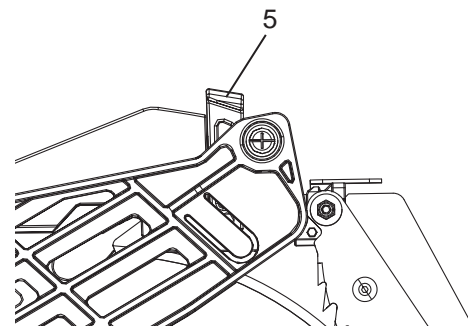


Fig. EE



Removing the blade guard and anti-kickback pawl assembly (Fig. BB, EE)

⚠ WARNING

To avoid injury from an accidental start, make sure the switch is in the OFF position and the plug is disconnected from the power source outlet.

1. With the blade elevation handwheel, raise the blade to the maximum height.
2. Loosen the blade bevel lock handle and turn the handwheel to 90° on the bevel scale.
3. Tighten the blade bevel lock handle.
4. Remove the anti-kickback pawls assembly by lifting the anti-kickback pawls lever (2). (Fig. BB)
5. Remove the blade guard assembly by pressing down the red spring button (5) and lifting up the assembly. (Fig. EE)

AVOID KICKBACKS (FIG. FF)

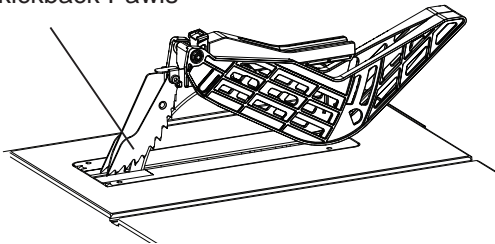
To avoid kickback (having the work thrown violently back toward you), keep the blade sharp, keep the rip fence parallel to the saw blade and keep the riving knife, blade guard and anti-kickback pawls in place, aligned and functioning. Do not release the work before passing it completely beyond the saw blade. Do not rip work that is twisted, warped or does not have a straight edge to guide it along the fence. Do not attempt to back out of a cut with the blade running.

⚠ WARNING

Improper riving knife alignment can cause “kickback” and serious injury.

Fig. FF

Anti-kickback Pawls



⚠ WARNING

Never use a rip fence and miter gauge together.

MITER GAUGE OPERATION (FIG. GG)

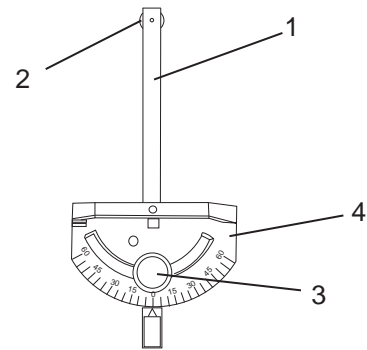
The miter gauge is accurately constructed with positive index stops at 0°, 15°, 30°, 45°, 60° both right and left side. To operate the miter gauge, loosen the lock handle (2) and move the body of the miter gauge to the desired angle. The miter gauge body will stop at 0°, 15°, 30°, 45°, 60°.

MITER GAUGE ADJUSTMENT (FIG. GG)

The miter gauge is accurately constructed with index stops at 0°, 15°, 30°, 45°, 60° both right and left sides.

1. Make sure that the miter gauge bar (1) will slide freely through the table top grooves.
NOTE: The disc (2) at the end of the miter gauge should engage in the t-slot in the table.
2. Loosen the lock handle (3) to allow the miter body (4) to rotate freely. Position the miter body at 90°(0°) so the positive detent secures its position. Tighten the lock handle (3) to hold the miter body in position.
3. To change angles on the miter gauge, loosen the lock handle (3) and rotate the miter body to the desired angle as indicated by the scale. Secure in position by tightening the lock handle.

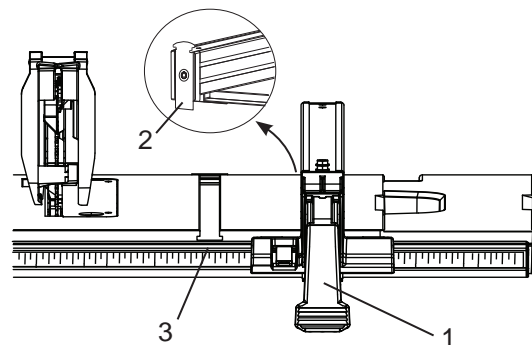
Fig. GG



INSTALLING THE RIP FENCE (FIG. HH)

1. Lift upward on the rip fence handle (1) so that the holding clamp (2) is fully extended.
2. Place the rip fence on the saw table and engage the holding clamp (2) to the table rear rail. Lower the front end onto the front rail (3).
3. Push down on the fence handle (1) to lock.

Fig. HH



RIP FENCE ADJUSTMENT (FIG. II)

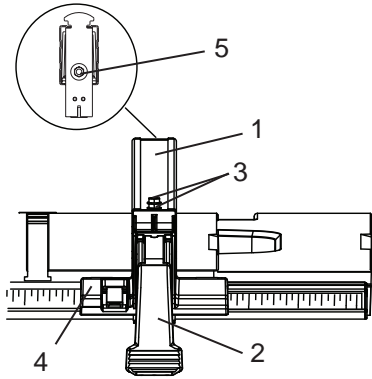
1. The fence (1) can be repositioned by lifting up on the handle (2) and sliding the fence to the desired location. Pushing down on the handle locks the fence in position.
2. Position the fence on the right side of the table, and along one edge of the miter gauge grooves.
3. Lock the fence handle. The fence should be parallel with the miter gauge groove.
4. If adjustment is needed to make the fence parallel to the groove, do the following:
 - Loosen the two screws (3) and lift up on the handle (2).
 - Hold the fence bracket (4) firmly against the front of the saw table. Move the far end of the fence until it is parallel with the miter gauge groove.
 - Tighten both screws and push the handle to lock.

5. If fence is loose when the handle is in the locked (downward) position, do the following:
 - Move the handle (2) upward and turn the adjusting nut (5) clockwise using a 10 mm wrench until the rear clamp is snug. Do not turn the adjusting screw more than 1/4 turn at a time.
 - Over-tightening the adjusting screw will cause the fence to come out of alignment.

⚠ WARNING

Failure to properly align the fence can cause “kickback” and serious injury could occur.

Fig. II



RIP FENCE INDICATOR ADJUSTMENT (FIG. JJ)

NOTE: The rip fence indicator points to the scale on the front of the table saw. Measurement shown by the indicator will provide the user with accuracy up to 1/16 in. (1.6 mm). Measurement shown is the distance from the blade to the side of the fence closest to the blade.

1. To check the accuracy, measure the actual distance (1) to the side of the rip fence. If there is a difference between the measurement and the indicator, adjust the indicator as shown next.
2. Loosen the indicator screw (2). Slide the indicator to the correct measurement position on the scale, then retighten the screw (2).

Fig. JJ

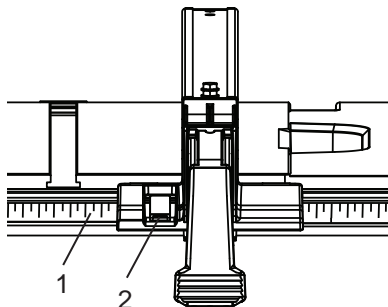
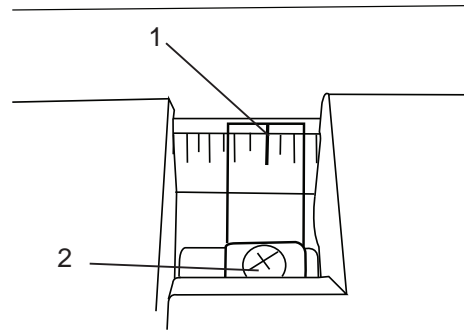


TABLE EXTENSION SCALE POINTER (FIG. KK)

The table extension scale pointer (1) should be at 16 in. (406.4 mm) on the scale when the extension is in the closed position. If not, loosen the holding screw (2), position the pointer over 16 in. (406.4 mm) and retighten the screw.

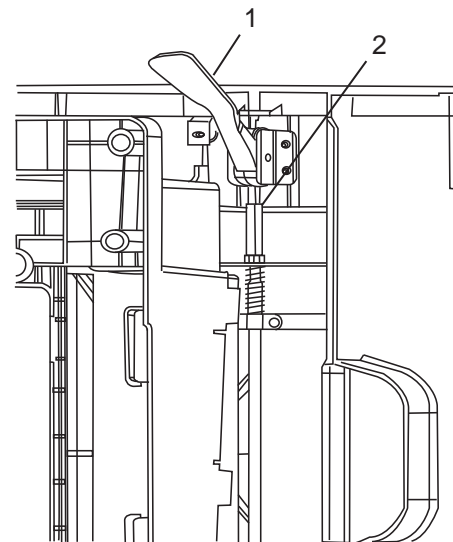
Fig. KK



ADJUSTING CAM LOCKING LEVER (FIG. LL)

If the extension table moves when it is open and locked, then the cam locking lever (1) may be loose and need adjustment, therefore, adjustment to the cam locking lever is necessary. To adjust the locking lever tension, turn the bar (2) with a 10 mm wrench until it is tightened, but do not over tighten.

Fig. LL



Under Table View

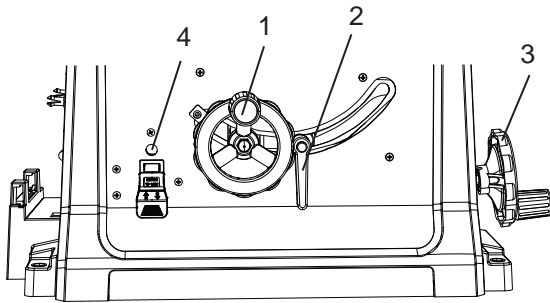
OPERATION

BASIC SAW OPERATIONS

RAISE THE BLADE (FIG. MM)

To raise or lower the blade, turn the blade elevation handwheel (1) to the desired blade height, and then tighten the blade bevel lock handle (2) to maintain the desired blade angle.

Fig. MM



TILTING THE BLADE (FIG. MM)

1. To tilt the saw blade for bevel cutting, loosen the blade bevel lock handle (2) and turn the blade tilting handwheel (3).
2. Tighten the blade bevel lock handle (2) to secure.

ON/OFF SWITCH (FIG. NN)

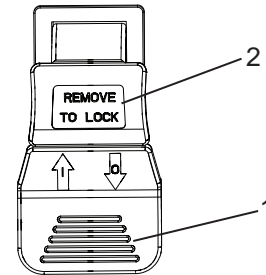
The ON / OFF (I/O) switch has a black removable safety key. With the key removed from the switch, unauthorized and hazardous use by children and others is minimized and the saw will not turn on.

1. To turn the saw "ON," insert the key (2) into the slot of the switch (1), and move the switch upward to the "I" (ON) position.
2. To turn the saw "OFF," move the switch downward to the "O" (OFF) position.
3. To lock the switch in the OFF position, grasp the sides of the safety switch key, and pull it out.
4. With the switch key removed, the switch will not operate to power the saw on.
5. If the switch key is removed while the saw is running, it can be turned "OFF" but cannot be restarted without inserting the switch key.

⚠ WARNING

ALWAYS lock the switch "OFF" when the saw is not in use. Remove the key and keep it in a safe place. In the event of a power failure, blown fuse, or tripped circuit breaker, turn the switch "OFF" and remove the key, preventing an accidental startup when power comes on.

Fig. NN



OVERLOAD PROTECTION (FIG. MM)

This saw has an overload reset button (4) that resets the motor after it shuts off due to overloading or low voltage. If the motor stops during operation, turn the ON/OFF switch to the "O" (OFF) position and unplug the saw. Wait about five minutes for the motor to cool, plug in the saw, push in the reset button (4) and turn the switch to the "I" (ON) position.

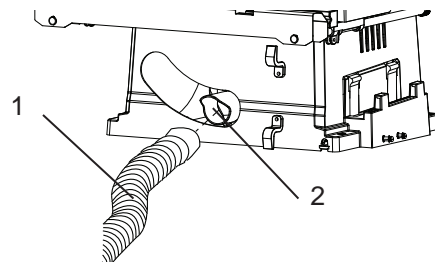
USING THE DUST PORT (FIG. OO)

⚠ WARNING

To prevent fire hazard, clean and remove sawdust from under the saw frequently.

To prevent sawdust buildup inside the saw housing, attach a vacuum hose (1) (hose is not included) to the dust port (2) at the rear of the table saw. **DO NOT** operate the saw with the hose in place unless the vacuum is turned on.

Fig. OO

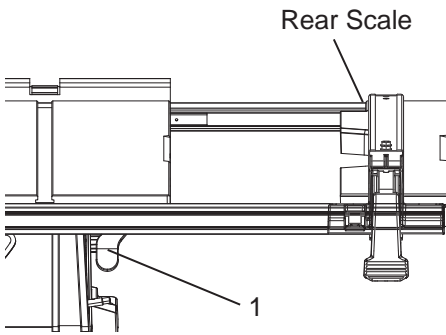


USING THE TABLE EXTENSION (FIG. PP)

NOTE: Use the scale on the front rail for rip cuts up to 16 in. (406.4 mm). For rip cuts in 16 in. (406.4 mm) to 30 in. (762 mm), follow the below instructions.

1. Move the rip fence to the 16 in. (406.4 mm) mark on the right side of scale (this is marked with a red line on the scale) and lock down the fence.
2. Unlock the table extension by releasing the cam lock lever (1).
3. Slide the table extension with the fence to the desired location using the scale located on the rear rail.
4. Lock the fence into position by pressing down the cam lock lever (1).

Fig. PP



CUTTING OPERATIONS

There are two basic types of cuts: ripping and crosscutting. Ripping is cutting along the length and the grain of the workpiece. Crosscutting is cutting either across the width or across the grain of the workpiece. (It is not safe to rip or crosscut by freehand). Ripping requires the use of the rip fence, and crosscutting requires the miter gauge. **NEVER USE THE TWO AT THE SAME TIME.**

⚠ WARNING

Before using the saw each time, check the following:

1. The blade is tightened to the arbor.
2. The blade bevel lock handle is tightened.
3. If ripping, make sure the fence is locked into position and is parallel to the miter gauge groove.
4. The blade guard is in place and working properly.
5. Safety glasses are worn.

Failure to adhere to these common safety rules, and those printed in the front of this manual, can greatly increase the likelihood of injury.

RIPPING (FIG. QQ, RR)

⚠ WARNING

To prevent serious injury:

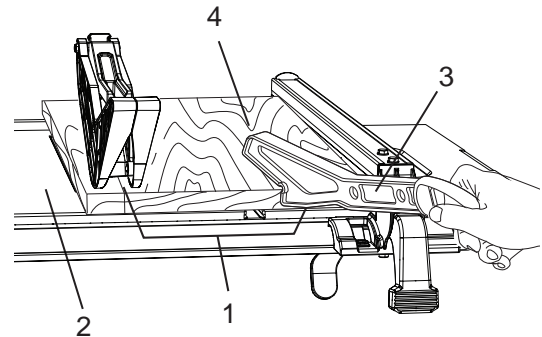
- Never use a miter gauge when ripping.
- Never use more than one rip fence during a single cut.
- Do not allow familiarity or frequent use of your table saw to cause careless mistakes. Remember that even a careless fraction of a second is enough to cause a severe injury.
- Keep both hands away from the blade and clear from the path of the blade.
- The workpiece must have a straight edge against the fence and must not be warped, twisted, or bowed when ripping.

1. Remove the miter gauge and store it in the “storage” compartment in the base of the saw.
2. Secure the rip fence to the table.
3. Raise the blade so it is about 1/8 in. higher than the top of the workpiece.
4. Place the workpiece flat on the table and against the fence. Keep the workpiece away from the blade.
5. Turn the saw ON and wait for the blade to come to full speed.
6. Slowly feed the workpiece into the blade by pushing forward only on the workpiece section (1) that will pass between the blade and the fence. (Fig. QQ)
7. Keep your thumbs off the table top. When both of your thumbs touch the front edge of the table (2), finish the cut with a push stick (3). To make an additional push stick, use the pattern on page 37. (Fig. QQ)

⚠ WARNING

AVOID KICKBACK by pushing forward on the section of the workpiece that passes between the blade and the fence. Never perform any freehand operations.

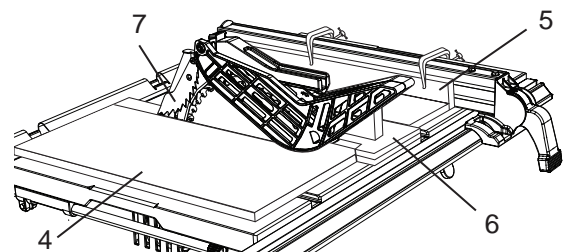
Fig. QQ



⚠ WARNING

When width or rip is narrower than 2 in. (50.8 mm) the push stick cannot be used because the blade guard will interfere. Use the auxiliary fence (5) and push block (6) as shown.

Fig. RR



8. Continue pushing the workpiece (4) with the push stick (3) or push block (6-Fig. RR) until it passes through the blade guard and clears the rear of the table. (Fig. QQ)
9. Never pull the piece back when the blade is turning. Turn the switch OFF. When the blade completely stops, you can then remove the workpiece.

⚠ WARNING

Never attempt to pull the workpiece backwards during a cutting operation. This will cause kickback and serious injury to the user can occur. When the blade completely stops, raise the anti-kickback pawls (7) on each side of the riving knife and slide the workpiece out.

BEVEL RIPPING

This cut is the same as ripping except the blade bevel angle is set to an angle other than 0°.

RIPPING SMALL PIECES

To avoid injury from blade contact, never make cuts narrower than 3/4 in. (19 mm) wide.

1. It is unsafe to rip small pieces. Instead, rip a larger piece to obtain the size of the desired piece.
2. When a small width is to be ripped, and your hand cannot be safely put between the blade and the rip fence, use push stick or push block to pass the workpiece completely through and past the blade.

HELPFUL DEVICES

In order to make some cuts, it is necessary to use devices like, a push block, featherboard or auxiliary fence, which you can make yourself. Here are some templates for your reference.

FEATHERBOARD (FIG. SS, TT)

A featherboard is a device used to help control the workpiece by guiding it securely against the table or fence. Featherboards are especially useful when ripping small workpieces and for completing non-through cuts. The end is angled with a number of short kerfs to give a friction hold on the workpiece and locked in place on the table with C-clamps. Test that it can resist kickback.

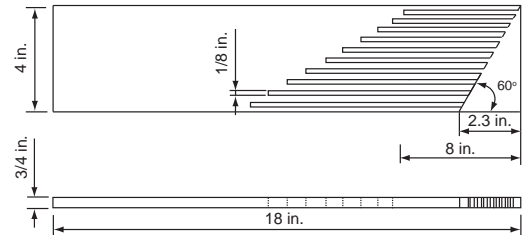
⚠ WARNING

Place the featherboard against the uncut portion of the workpiece to avoid kickback that could cause serious personal injury.

MAKE A FEATHERBOARD (FIG. SS)

Select a solid piece of lumber approximately 3/4 in. (19 mm) thick, 4 in. (101.6 mm) wide and 18 in. (457.2 mm) long. To make a featherboard, cut one end of the lumber at 60 degrees, then cut 8 in. (203.2 mm) - long slots 1/4 in. (6.4 mm) apart on the angled end.

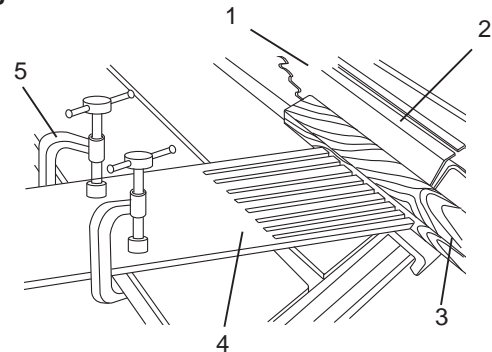
Fig. SS



USING A FEATHERBOARD (FIG. TT)

1. Lower the saw blade (1).
2. Position the rip fence (2) to the desired adjustment and lock the rip fence.
3. Place the workpiece (3) against the fence and over the saw blade area.
4. Adjust the featherboard (4) to resist the workpiece forward of the blade.
5. Attach the C-clamps (5) to secure the featherboard to the edge of the table.

Fig. TT



AUXILIARY FENCE (FIG. UU)

Making the base:

- Start with a piece of 3/8 in. (9.5 mm) plywood at least 5-1/2 in. (139.7 mm) wide or wider and 21 in. (533.4 mm) long or longer.
- Cut the piece to shape and size shown.

Making the side:

- Start with a piece of 3/4 in. (19 mm) hardwood at least 1-3/4 in. (44.5 mm) wide or wider and 21 in. (533.4 mm) long or longer.
- Cut the piece to shape and size shown.

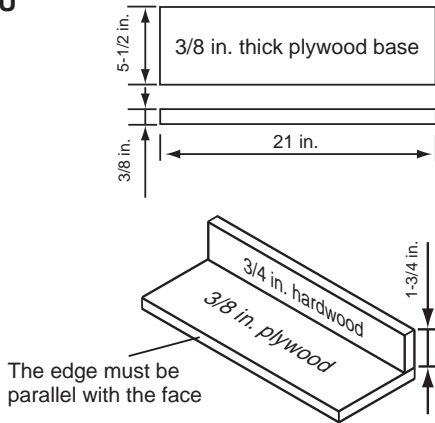
Putting it together:

- Fasten the pieces together with glue and woodscrews.

⚠ WARNING

Make sure the screw heads do not stick out from the bottom of the base, they must be flush or recessed. The bottom must be flat and smooth enough to rest on the saw table without rocking.

Fig. UU



PUSH BLOCK

Use for ripping operation when the workpiece is too narrow to use a push stick. Always use a push block for rip widths less than 2 inches (50.8 mm).

MAKE A PUSH BLOCK (FIG. VV)

Making the base:

- Start with a 3/8 in. (9.5 mm) plywood at least 5-1/2 in. (139.7 mm) wide or wider and 12 in. (305 mm) long or longer.
- Cut the piece to shape and size as shown.

Making the handle:

- Start with a 3/4 in. (19 mm) hardwood at least 5 in. (127 mm) wide or wider and 7 in. (177.8 mm) long or longer.
- Cut the piece to shape and size as shown.

Making the bracket:

- Start with a 3/8 in. (9.5 mm) wood at least 3/8 in. (9.5 mm) wide or wider and 2-1/2 in. (63.5 mm) long or longer.
- Cut the piece to shape and size as shown.

Putting it together:

- Fasten the base and handle together with glue and woodscrews.

⚠ WARNING

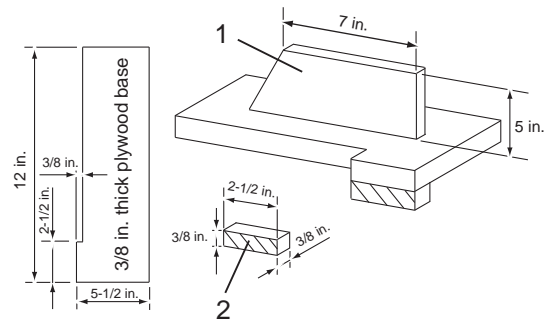
Make sure the screw heads do not stick out from the bottom of the base, they must be flush or recessed.

- Fasten the base and bracket together with glue.

⚠ WARNING

To avoid injury, do not use the screws to fasten the base and bracket.

Fig. VV



CROSSCUTTING (FIG. WW)

⚠ WARNING

To prevent serious injury:

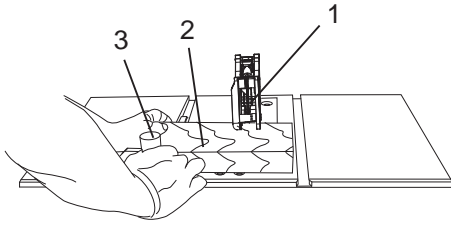
- Do not allow familiarity or frequent use of your table saw to cause careless mistakes. Remember that even a careless fraction of a second is enough to cause a severe injury.
- Keep both hands away from the blade and the path of the blade.
- Never attempt to pull the workpiece backwards during a cutting operation. This will cause kickback and serious injury to the user can occur.

1. Remove the rip fence and place the miter gauge in the miter gauge groove on the table.
2. Adjust the blade height so that it is 1/8 in. (3.2 mm) higher than the top of the workpiece.
3. Hold the workpiece firmly against the miter gauge with the blade path in line with the desired cut location. Move the workpiece to a 1 in. (25.4 mm) distance from the blade.
4. Start the saw and wait for the blade (1) to come up to full speed. Never stand directly in line of the saw blade path, always stand to the side of the blade that you are cutting on.
5. Keep the workpiece (2) against the face of the miter gauge (3) and flat against the table. Then slowly push the workpiece through the blade.
6. Do not try to pull the workpiece back with the blade turning. Turn the switch OFF, and carefully slide the workpiece out when the blade has completely stopped.

⚠ WARNING

Always position the larger surface of the workpiece on the table when crosscutting and/or bevel crosscutting to avoid instability.

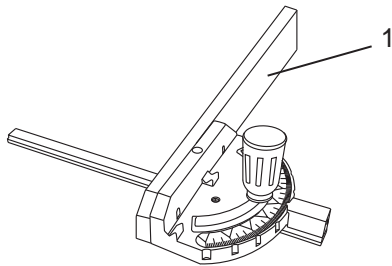
Fig. WW



USING THE WOOD FACING ON THE MITER GAUGE (FIG. XX)

Slots are provided in the miter gauge for attaching an auxiliary facing (1) to make it easier to cut very long or short pieces. Select a suitable piece of smooth wood, drill two holes through it and attach it to the miter gauge with screws. Make sure the facing does not interfere with the proper operation of the saw blade guard. When cutting long workpieces, you can make a simple outfeed support by clamping a piece of plywood to a sawhorse.

Fig. XX



BEVEL CROSSCUTTING (FIG. YY)

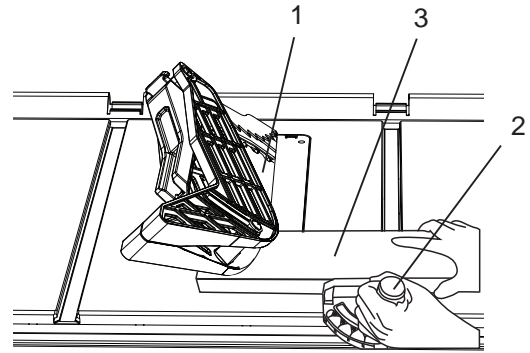
0°~45° BLADE BEVEL & 90° MITER ANGLE. This cutting operation is the same as crosscutting except the blade is at a bevel angle other than 0°.

⚠ WARNING

Always work to the right side of the blade during this type of cut. The miter gauge must be in the right side groove because the bevel angle may cause the blade guard to interfere with the cut if used on the left side groove.

1. Lower the blade to the down position.
2. Adjust the blade (1) to the desired angle, and tighten the blade bevel lock handle.
3. Tighten the miter lock handle (2) at 90°.
4. Hold workpiece (3) firmly against the face of the miter gauge throughout the cutting operation.

Fig. YY



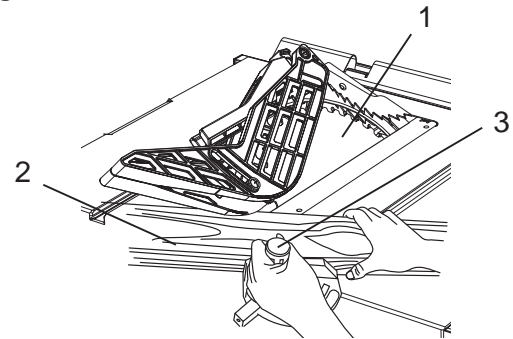
**COMPOUND MITER CROSSCUTTING (FIG. ZZ)
0°~45° BLADE BEVEL & 0°~45° MITER ANGLE**

⚠ WARNING

Always work to the right side of the blade during this type of cut. The miter gauge must be in the right side groove because the bevel angle may cause the blade guard to interfere with the cut if used on the left side groove.

1. Set the miter gauge (3) to the desired angle.
2. Place the miter gauge in the right side groove of the table.
3. Set the blade (1) bevel to the desired bevel angle and tighten the blade bevel lock handle.
4. Hold workpiece (2) firmly against the face of the miter gauge throughout the cutting operation.

Fig. ZZ

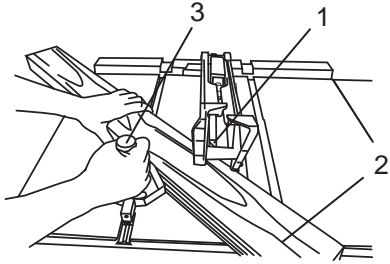


**MITERING (FIG. aa)
0°~45° MITER ANGLE**

This sawing operation is the same as crosscutting except the miter gauge is locked at an angle other than 90°.

1. Set the blade (1) to 0° bevel angle and tighten the blade bevel lock handle.
2. Set the miter gauge (3) at the desired miter angle and lock in position by tightening the miter gauge locking handle.
3. Hold the workpiece (2) firmly against the face of the miter gauge throughout the cutting operation.

Fig. aa

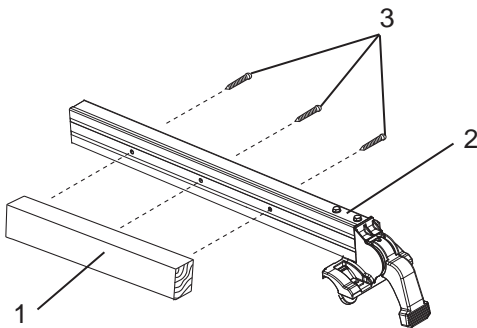


USING THE WOOD FACING ON THE RIP FENCE (FIG. bb)

When performing some special cutting operations, you can add a wood facing to either side of the rip fence (2).

1. Use a smooth straight 3/4 in. (19 mm) thick wood board (1) that is as long as the rip fence.
2. Attach the wood facing to the fence with wood screws (3) (not included) through the holes in the fence. A wood fence should be used when ripping material such as thin paneling to prevent the material from catching between the bottom of the fence and the table.

Fig. bb



NON-THROUGH CUT (FIG. cc)

A non-through cut is used to cut grooves and rabbets in the workpiece without exposed the blade.

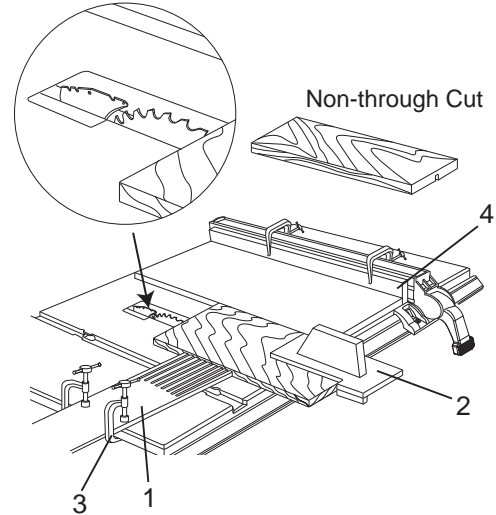
! WARNING

- Only this type cut is made without installing the blade guard and anti-kickback pawl assembly.
 - To avoid injury from an accidental start, make sure the switch is in the OFF position and the plug is disconnected from the power source outlet.
 - To avoid the risk of personal injury. Always use push block, auxiliary fence and featherboard when making non-through cut.
1. Remove the blade guard assembly and anti-kickback pawls assembly for non-through cut.
 2. Lower the riving knife to its lowest (non-through cut) position. Lower the blade to the desired height.
 3. Use the featherboard (1) with C-clamps (3) to fasten the workpiece securely.

4. Mount the auxiliary fence (4) with C-clamps.
5. Use the push block (2) to move the workpiece.

NOTE: Mount the featherboard to table as shown, so the leading edges of featherboard will help workpiece complete cutting.

Fig. cc



DADO CUTS (FIG. dd, ee)

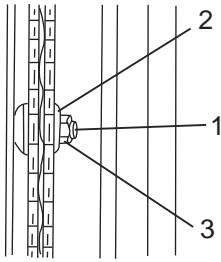
! WARNING

- Only Stackable dado blades can be used on this saw.
 - DO NOT use Adjustable or Wobble type dados.
 - The maximum dado cut width is 1/2 in. (12.7 mm).
 - The maximum dado blade diameter is 6 in. (152.4 mm).
1. To perform dado cutting with a stacked dado blade set a special insert must be used. See page 36 for ordering information. Remove the saw blade, original table insert and blade guard. Install the dado blades and dado insert plate.
 2. Instruction for operating the dado is packed with the separately purchased dado set (not included with unit).
 3. The arbor (1) on this saw restricts the maximum width of the cut to 1/2 in. (12.7 mm).
 4. When making full 1/2 in. (12.7 mm) dado cuts, it is not necessary to install the outside flange (2) before screwing on the arbor nut (3). Make sure that the arbor nut (3) is tight, and that at least one thread of the arbor sticks out past the nut.
 5. Do not exceed 6 inches (152.4 mm) diameter dados and keep the width 1/2 in. (12.7 mm) or less. It will be necessary to remove the blade guard and riving knife when using a dado blade. Always use caution when operating a dado blade.

knife when using a dado blade. Always use caution when operating a dado blade.

6. Use only the correct number of round outside blades and inside chippers as shown in the dado set's instruction manual. Blade or chipper must not exceed 1/2 inch (12.7 mm).
7. Check saw to ensure that the dado will not strike the housing, insert, or motor when in operation.

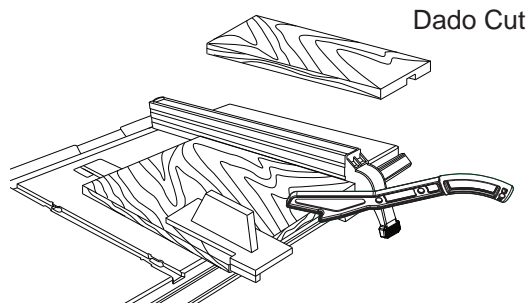
Fig. dd



⚠ WARNING

For your own safety, always replace the blade, blade guard assembly, anti-kickback pawls assembly, riving knife assembly and table insert after finishing a dado operation.

Fig. ee



MAINTENANCE

MAINTAINING YOUR TABLE SAW

GENERAL MAINTENANCE

⚠ WARNING

ALWAYS use safety glasses. Everyday eyeglasses are NOT safety glasses. Also use face or dust mask if cutting operation is dusty. ALWAYS WEAR CERTIFIED SAFETY EQUIPMENT:

- ANSI Z87.1 eye protection (CAN/CSA Z94.3),
- ANSI S12.6 (S3.19) hearing protection,
- NIOSH/OSHA/MSHA respiratory protection.

⚠ WARNING

For your own safety, turn the switch OFF and remove the switch key. Remove the plug from the power source outlet before maintaining or lubricating your saw.

1. Clean out all sawdust that has accumulated inside the saw cabinet and the motor.
2. Polish the saw table with an automotive wax to keep it clean and to make it easier to slide the workpiece.
3. Clean cutting blades with pitch and gum remover.
4. A worn, cut, or damaged power cord should be replaced immediately.

⚠ WARNING

All electrical or mechanical repairs should be attempted only by a trained repair technician. Contact customer service for assistance. Use only identical replacement parts. Any other parts may create a hazard.

5. Use only mild soap and a damp cloth to clean the tool. Never let any liquid get inside the tool; never immerse any part of the tool into a liquid.
NOTE: Certain cleaning chemicals can damage plastic parts.
6. Avoid use of cleaning chemicals or solvents, ammonia and household detergents containing ammonia.

⚠ WARNING

IMPORTANT: To assure product SAFETY and RELIABILITY, repairs, maintenance and adjustment (other than those listed in this manual) should be performed by authorized service centers or other qualified service organizations, always using identical replacement parts.

LUBRICATION

Ball bearings in the table saw are packed with grease at the factory and require no further lubrication.

REPLACING THE CARBON BRUSHES (FIG. ff)

⚠ WARNING

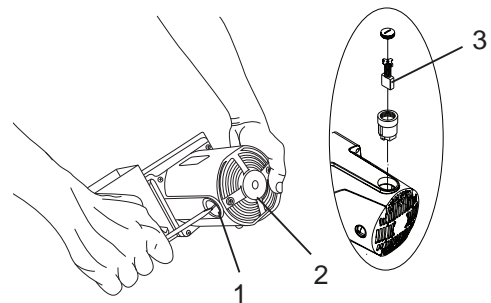
Always disconnect the plug from the power source before inspecting the brushes.

The carbon brushes included with the unit will last approximately 50 hours of running time, or 10,000 ON/OFF cycles. Replace both carbon brushes when either has less than 1/4 in. (6.4 mm) length of carbon remaining, or if the spring or wire is damaged or burned.

1. Remove the blade guard, blade, rip fence, miter gauge and stand assembly from the table saw.
2. Lower the blade height to its minimum setting. This will make the brushes's location easier to access.
3. Place cardboard or an old blanket on the floor to protect the saw table surface.
4. Place the saw upside down on the protective material.
5. Tilt the blade tilting handwheel to the 45° position.
6. Remove the black plastic cap (1) from the side of the motor (2).
7. Carefully remove the spring-loaded cap, and then pull out the brush (3) and replace.
8. Replace the other side.
9. The ears on the metal end of the assembly go in the same hole the carbon part fits into. Do not overtighten the plastic cap.
10. Carefully set the saw in a upright position on a clean level surface.
11. Replace the blade guard, blade, rip fence, miter gauge and stand assembly to the table saw.

NOTE: To reinstall the same brushes, first make sure the brushes go back in the way they came out. This will avoid a break-in period that reduces motor performance and increases wear.

Fig. ff



TROUBLESHOOTING GUIDE

WARNING

To avoid injury from an accidental start, turn the switch OFF and always remove the plug from the power source before making any adjustments.

REPLACEMENT PARTS

Use only identical replacement parts. For a parts list or to order parts, visit our service website at www.portercable.com. You can also order parts from your nearest Porter-Cable Factory Service Center or Porter-Cable Authorized Warranty Service Center. Or, you can call our Customer Care Center at (888) 609-9779.

SERVICE AND REPAIRS

All quality tools will eventually require servicing and/or replacement of parts. For information about Porter-Cable, its factory service centers or authorized warranty service centers, visit our website at www.portercable.com or call our Customer Care Center at (888) 609-9779. All repairs made by our service centers are fully guaranteed against defective material and workmanship. We cannot guarantee repairs made or attempted by others.

You can also write to us for information at Power Tool Specialists, Inc. 684 Huey Road, Rock Hill, SC 29730, - Attention: Product Service. Be sure to include all of the information shown on the nameplate of your tool (model number, type, serial number, etc.).

PROBLEM	POSSIBLE CAUSES	CORRECTIVE ACTION
Saw will not start.	<ol style="list-style-type: none"> 1. Saw is not plugged in. 2. Fuse blown or circuit breaker tripped. 3. Cord is damaged. 	<ol style="list-style-type: none"> 1. Plug in saw. 2. Replace fuse or reset circuit breaker. 3. Have cord replaced by Porter-Cable Service Center or Authorized Service Station.
Does not make accurate 45° and 90° rip cuts.	<ol style="list-style-type: none"> 1. Positive stop not adjusted correctly. 2. Tilt angle pointer not set accurately. 	<ol style="list-style-type: none"> 1. Check blade with square and adjust positive stop. 2. Check blade with square and adjust to zero.
Material pinched blade when ripping.	<ol style="list-style-type: none"> 1. Rip fence not aligned with blade. 2. Warped wood, edge against fence is not straight. 	<ol style="list-style-type: none"> 1. Check and adjust rip fence. 2. Select another piece of wood.
Material binds on riving knife.	<ol style="list-style-type: none"> 1. Riving knife does not aligned correctly with blade. 	<ol style="list-style-type: none"> 1. Check and align riving knife with blade.
Saw makes unsatisfactory cuts.	<ol style="list-style-type: none"> 1. Dull blade. 2. Blade mounted backwards. 3. Gum or pitch on blade. 4. Incorrect blade for work being done. 5. Gum or pitch on blade causing erratic feed. 	<ol style="list-style-type: none"> 1. Replace blade. 2. Turn the blade around. 3. Remove blade and clean with turpentine and coarse steel wool. 4. Change the blade. 5. Clean table with turpentine and steel wool.

PROBLEM	POSSIBLE CAUSES	CORRECTIVE ACTION
Material kicked back from blade.	<ol style="list-style-type: none"> 1. Rip fence out of adjustment. 2. Riving knife not aligned with blade. 3. Feeding stock without rip fence. 4. Riving knife not in place. 5. Dull blade. 6. The operator letting go of material before it is past saw blade. 7. Blade bevel lock handle is not tight. 	<ol style="list-style-type: none"> 1. Align rip fence with miter gauge slot. 2. Align riving knife with blade. 3. Install and use rip fence. 4. Install and use riving knife (with guard). 5. Replace blade. 6. Push material all the way past saw blade before releasing work. 7. Tighten the handle.
Blade does not raise or tilt freely.	<ol style="list-style-type: none"> 1. Sawdust and dirt in elevation/tilting mechanisms. 	<ol style="list-style-type: none"> 1. Brush or blow out loose dust and dirt.
Blade does not come up to speed. Reset trips too easily.	<ol style="list-style-type: none"> 1. Extension cord too light or too long. 2. Low house voltage. 	<ol style="list-style-type: none"> 1. Replace with adequate size cord. 2. Contact your electric company.
Machine vibrates excessively.	<ol style="list-style-type: none"> 1. Saw not mounted securely to workbench. 2. Bench on uneven floor. 3. Damaged saw blade. 	<ol style="list-style-type: none"> 1. Tighten all mounting hardware. 2. Reposition on flat level surface. 3. Replace blade.
Does not make accurate 45° and 90° crosscuts.	<ol style="list-style-type: none"> 1. Miter gauge out of adjustment. 	<ol style="list-style-type: none"> 1. Adjust miter gauge.

For assistance with your product, visit our website at www.portercable.com for a list of service centers, or call the Porter-Cable Customer Care Center at (888) 609-9779.

ACCESSORIES AND ATTACHMENTS

AVAILABLE ACCESSORIES

⚠ WARNING

Since accessories, other than those offered by Porter-Cable, have not been tested with this product, use of such accessories with this tool could be hazardous. To reduce the risk of injury, only Porter-Cable recommended accessories should be used with this product.

3FW9 DADO INSERT PLATE

A complete line of accessories is available from your Porter-Cable Factory Service Center or a Porter-Cable Authorized Warranty Service Center. Please visit our Web Site www.portercable.com for a catalog or for the name of your nearest supplier.

⚠ WARNING

Do not use any accessory unless you have completely read the Instruction Manual for that accessory.

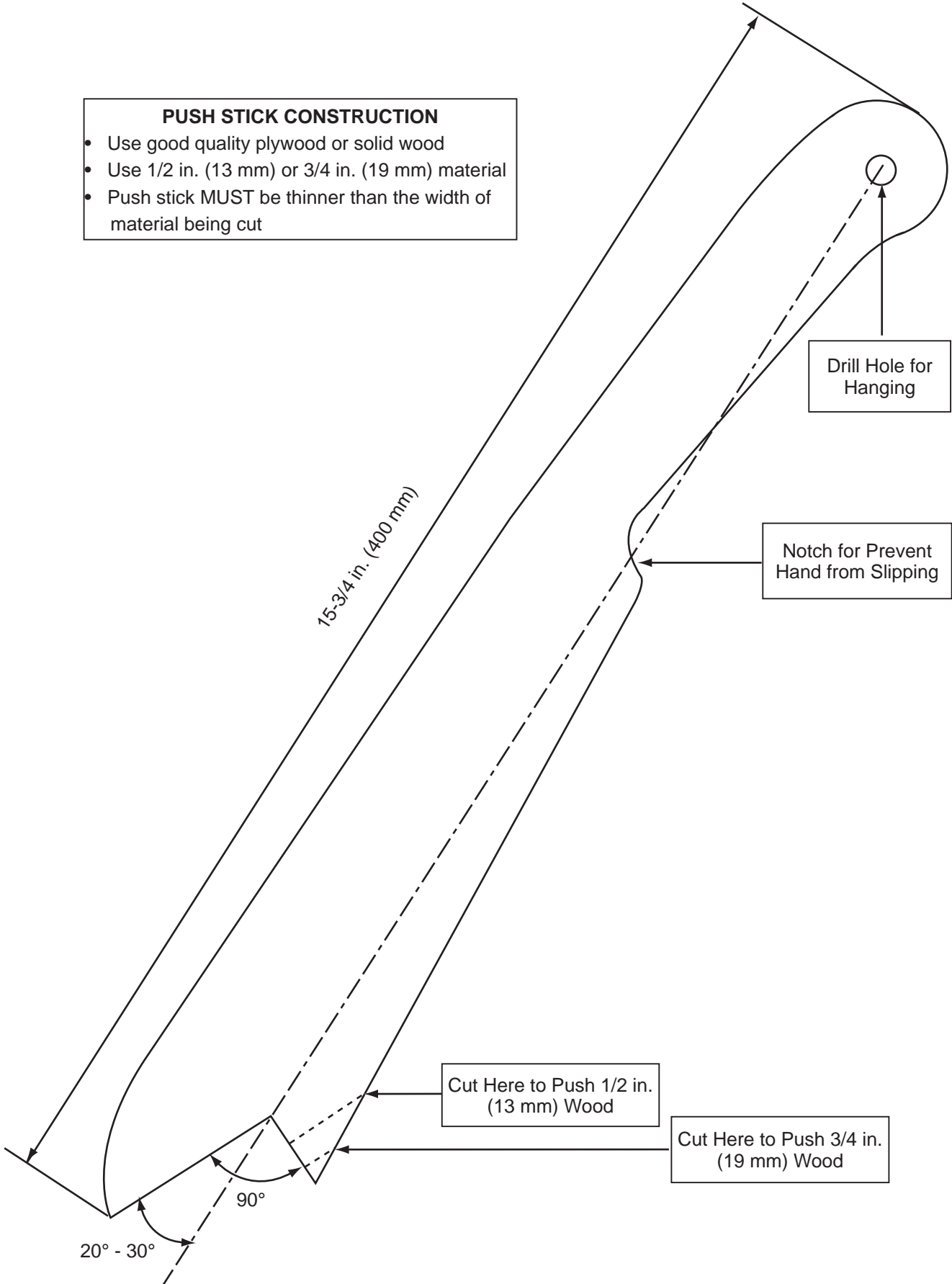
⚠ WARNING

To avoid the risk of personal injury:

- Do not use a dado with a diameter larger than 6 in. (152.4 mm).
- Maximum dado width is 1/2 in. (12.7 mm). **DO NOT USE WIDER COMBINATIONS.**
- Do not use molding head set with this saw.
- Do not modify this power tool.

PUSH STICK PATTERN

- PUSH STICK CONSTRUCTION**
- Use good quality plywood or solid wood
 - Use 1/2 in. (13 mm) or 3/4 in. (19 mm) material
 - Push stick MUST be thinner than the width of material being cut



NOTES

WARRANTY

THREE YEAR LIMITED WARRANTY

PORTER-CABLE will repair, without charge, any defects due to faulty materials or workmanship for three years from the date of purchase. This warranty does not cover part failure due to normal wear or tool abuse. For further detail of warranty coverage and warranty repair information, visit www.portercable.com or call (888) 609-9779. This warranty does not apply to accessories or damage caused where repairs have been made or attempted by others. This warranty gives you specific legal rights and you may have other rights which vary in certain states or provinces.

In addition to the warranty, PORTER-CABLE tools are covered by our:

1 YEAR FREE SERVICE: PORTER-CABLE will maintain the tool and replace worn parts caused by normal use, for free, any time during the first year after purchase.

90 DAYS MONEY BACK GUARANTEE: If you are not completely satisfied with the performance of your PORTER-CABLE Power Tool for any reason, you can return it within 90 days from the date of purchase with a receipt for a full refund – no questions asked.

LATIN AMERICA: This warranty does not apply to products sold in Latin America. For products sold in Latin America, see country specific warranty information contained in the packaging, call the local company or see website for warranty information.

To register your tool for warranty service visit our website at www.portercable.com.

WARNING LABEL REPLACEMENT

If your warning labels become illegible or are missing, call (888) 609-9779 for a free replacement.

The following are PORTER-CABLE trademarks for one or more power tools and accessories: a gray and black color scheme; a “four point star” design; and three contrasting/outlined longitudinal stripes. The following are also trademarks for one or more Porter-Cable and Delta products: 2 BY 4[®], 890[™], Air America[®], AIRBOSS[™], Auto-Set[®], B.O.S.S.[®], Bammer[®], Biesemeyer[®], Builders Saw[®], Charge Air[®], Charge Air Pro[®], CONTRACTOR SUPERDUTY[®], Contractor’s Saw[®], Delta[®], DELTA[®], Delta Industrial[®], DELTA MACHINERY & DESIGN[™], Delta Shopmaster and Design[®], Delta X5[®], Deltacraft[®], DELTAGRAM[®], Do It. Feel it.[®], DUAL LASERLOC AND DESIGN[®], EASY AIR[®], EASY AIR TO GO[™], ENDURADIAMOND[®], Ex-Cell[®], Front Bevel Lock[®], Get Yours While the Sun Shines[®], Grip to Fit[®], GRIPVAC[™], GTF[®], HICKORY WOODWORKING[®], Homecraft[®], HP FRAMER HIGH PRESSURE[®], IMPACT SERIES[™], Innovation That Works[®], Jet-Lock[®], Job Boss[®], Kickstand[®], LASERLOC[®], LONG-LASTING WORK LIFE[®], MAX FORCE[™], MAX LIFE[®], Micro-Set[®], Midi-Lathe[®], Monsoon[®], MONSTER-CARBIDE[™], Network[®], OLDHAM[®], Omnijig[®], PC EDGE[®], Performance Crew[™], Performance Gear[®], Pocket Cutter[®], Porta-Band[®], Porta-Plane[®], Porter-Cable[®], Porter-Cable Professional Power Tools[®], Powerback[®], POZI-STOP[™], Pressure Wave[®], PRO 4000[®], Proair[®], Quicksand and Design[®], Quickset II[®], QUIET DRIVE TECHNOLOGY[™], QUIET DRIVE TECHNOLOGY AND DESIGN[™], Quick-Change[®], QUIK-TILT[®], RAPID-RELEASE[™], RAZOR[®], Redefining Performance[®], Riptide[®], Safe Guard II[®], Sand Trap and Design[®], Sanding Center[®], Saw Boss[®], Shop Boss[®], Sidekick[®], Site Boss[®], Speed-Bloc[®], Speedmatic[®], Stair Ease[®], Steel Driver Series[®], SUPERDUTY[®], T4 & DESIGN[®], THE AMERICAN WOODSHOP[®], THE PROFESSIONAL EDGE[®], Thin-Line[®], Tiger Saw[®], TIGERCLAW[®], TIGERCLAW AND DESIGN[®], Torq-Buster[®], TRU-MATCH[®], T-Square[®], Twinlaser[®], Unifence[®], Uniguard[®], UNIRIP[®], UNISAW[®], UNITED STATES SAW[®], Veri-Set[®], Versa-Feeder[®], VIPER[®], VT[™], VT RAZOR[™], Water Driver[®], WATER VROOM[®], Waveform[®], Whisper Series[®], X5[®], YOUR ACHIEVEMENT. OUR TOOLS.[®], Trademarks noted with ® are registered in the United States Patent and Trademark Office and may also be registered in other countries. Other trademarks may apply.

PORTER-CABLE and the PORTER-CABLE logo are registered trademarks of PORTER-CABLE and are used under license. All rights reserved.

PORTER  CABLE.

Power Tool Specialists, Inc.
684 Huey Road, Rock Hill, SC 29730
(888) 609-9779
www.portercable.com