

*If you have questions or comments, contact us.
Pour toute question ou tout commentaire, nous contacter.
Si tiene dudas o comentarios, contáctenos.*

1-800-4-DEWALT • www.dewalt.com

**INSTRUCTION MANUAL
GUIDE D'UTILISATION
MANUAL DE INSTRUCCIONES**

INSTRUCTIVO DE OPERACIÓN, CENTROS DE SERVICIO Y PÓLIZA DE GARANTÍA. **ADVERTENCIA:** LÉASE ESTE INSTRUCTIVO ANTES DE USAR EL PRODUCTO.

DEWALT®

**DWP849, DWP849X
Polishers
Polisseuses
Pulidoras**



Definitions: Safety Guidelines

The definitions below describe the level of severity for each signal word. Please read the manual and pay attention to these symbols.

⚠ DANGER: Indicates an imminently hazardous situation which, if not avoided, **will** result in **death or serious injury**.

⚠ WARNING: Indicates a potentially hazardous situation which, if not avoided, **could** result in **death or serious injury**.

⚠ CAUTION: Indicates a potentially hazardous situation which, if not avoided, **may** result in **minor or moderate injury**.

NOTICE: Indicates a practice **not related to personal injury** which, if not avoided, **may** result in **property damage**.

IF YOU HAVE ANY QUESTIONS OR COMMENTS ABOUT THIS OR ANY DEWALT TOOL, CALL US TOLL FREE AT: **1-800-4-DEWALT (1-800-433-9258)**.



WARNING: To reduce the risk of injury, read the instruction manual.

General Power Tool Safety Warnings



WARNING! Read all safety warnings and all instructions. Failure to follow the warnings and instructions may result in electric shock, fire and/or serious injury.

SAVE ALL WARNINGS AND INSTRUCTIONS FOR FUTURE REFERENCE

The term "power tool" in the warnings refers to your mains-operated (corded) power tool or battery-operated (cordless) power tool.

1) WORK AREA SAFETY

- Keep work area clean and well lit.** Cluttered or dark areas invite accidents.
- Do not operate power tools in explosive atmospheres, such as in the presence of flammable liquids, gases or dust.** Power tools create sparks which may ignite the dust or fumes.
- Keep children and bystanders away while operating a power tool.** Distractions can cause you to lose control.

2) ELECTRICAL SAFETY

- Power tool plugs must match the outlet. Never modify the plug in any way. Do not use any adapter plugs with earthed (grounded) power tools.** Unmodified plugs and matching outlets will reduce risk of electric shock.
- Avoid body contact with earthed or grounded surfaces such as pipes, radiators, ranges and refrigerators.** There is an increased risk of electric shock if your body is earthed or grounded.
- Do not expose power tools to rain or wet conditions.** Water entering a power tool will increase the risk of electric shock.
- Do not abuse the cord. Never use the cord for carrying, pulling or unplugging the power tool. Keep cord away from heat, oil, sharp edges or moving parts.** Damaged or entangled cords increase the risk of electric shock.
- When operating a power tool outdoors, use an extension cord suitable for outdoor use.** Use of a cord suitable for outdoor use reduces the risk of electric shock.
- If operating a power tool in a damp location is unavoidable, use a ground fault circuit interrupter (GFCI) protected supply.** Use of a GFCI reduces the risk of electric shock.

3) PERSONAL SAFETY

- a) **Stay alert, watch what you are doing and use common sense when operating a power tool. Do not use a power tool while you are tired or under the influence of drugs, alcohol or medication.** A moment of inattention while operating power tools may result in serious personal injury.
- b) **Use personal protective equipment. Always wear eye protection.** Protective equipment such as dust mask, non-skid safety shoes, hard hat, or hearing protection used for appropriate conditions will reduce personal injuries.
- c) **Prevent unintentional starting. Ensure the switch is in the off position before connecting to power source and/or battery pack, picking up or carrying the tool.** Carrying power tools with your finger on the switch or energizing power tools that have the switch on invites accidents.
- d) **Remove any adjusting key or wrench before turning the power tool on.** A wrench or a key left attached to a rotating part of the power tool may result in personal injury.
- e) **Do not overreach. Keep proper footing and balance at all times.** This enables better control of the power tool in unexpected situations.
- f) **Dress properly. Do not wear loose clothing or jewelry. Keep your hair, clothing and gloves away from moving parts.** Loose clothes, jewelry or long hair can be caught in moving parts.
- g) **If devices are provided for the connection of dust extraction and collection facilities, ensure these are connected and properly used.** Use of dust collection can reduce dust-related hazards.

4) POWER TOOL USE AND CARE

- a) **Do not force the power tool. Use the correct power tool for your application.** The correct power tool will do the job better and safer at the rate for which it was designed.

- b) **Do not use the power tool if the switch does not turn it on and off.** Any power tool that cannot be controlled with the switch is dangerous and must be repaired.
- c) **Disconnect the plug from the power source and/or the battery pack from the power tool before making any adjustments, changing accessories, or storing power tools.** Such preventive safety measures reduce the risk of starting the power tool accidentally.
- d) **Store idle power tools out of the reach of children and do not allow persons unfamiliar with the power tool or these instructions to operate the power tool.** Power tools are dangerous in the hands of untrained users.
- e) **Maintain power tools. Check for misalignment or binding of moving parts, breakage of parts and any other condition that may affect the power tool's operation. If damaged, have the power tool repaired before use.** Many accidents are caused by poorly maintained power tools.
- f) **Keep cutting tools sharp and clean.** Properly maintained cutting tools with sharp cutting edges are less likely to bind and are easier to control.
- g) **Use the power tool, accessories and tool bits etc., in accordance with these instructions taking into account the working conditions and the work to be performed.** Use of the power tool for operations different from those intended could result in a hazardous situation.

5) SERVICE

- a) **Have your power tool serviced by a qualified repair person using only identical replacement parts.** This will ensure that the safety of the power tool is maintained.

Safety Instructions for All Operations

- a) **This power tool is intended to function as a polisher. Read all safety warnings, instructions, illustrations and specifications provided with this power tool.** Failure to follow all instructions listed below may result in electric shock, fire and/or serious injury.
- b) **Operations such as grinding, sanding, wire brushing or cutting-off are not recommended to be performed with this power tool.** Operations for which the power tool was not designed may create a hazard and cause personal injury.
- c) **Do not use accessories which are not specifically designed and recommended by the tool manufacturer.** Just because the accessory can be attached to your power tool, it does not assure safe operation.
- d) **The rated speed of the accessory must be at least equal to the maximum speed marked on the power tool.** Accessories running faster than their rated speed can break and fly apart.
- e) **The outside diameter and the thickness of your accessory must be within the capacity rating of your power tool.** Incorrectly sized accessories cannot be adequately guarded or controlled.
- f) **Threaded mounting of accessories must match the grinder spindle thread. For accessories mounted by flanges, the arbour hole of the accessory must fit the locating diameter of the flange.** Accessories that do not match the mounting hardware of the power tool will run out of balance, vibrate excessively and may cause loss of control.
- g) **Do not use a damaged accessory. Before each use inspect the accessory such as abrasive wheels for chips and cracks, backing pad for cracks, tear or excess wear, wire brush for loose or cracked wires. If power tool or accessory is dropped, inspect for damage or install an undamaged accessory. After inspecting and installing an accessory, position yourself and bystanders away from the plane of the rotating accessory and run the power tool at maximum no-load speed for one minute.** Damaged accessories will normally break apart during this test time.
- h) **Wear personal protective equipment. Depending on application, use face shield, safety goggles or safety glasses. As appropriate, wear dust mask, hearing protectors, gloves and workshop apron capable of stopping small abrasive or workpiece fragments. The eye protection must be capable of stopping flying debris generated by various operations.** The dust mask or respirator must be capable of filtering particles generated by your operation. Prolonged exposure to high intensity noise may cause hearing loss.
- i) **Keep bystanders a safe distance away from work area. Anyone entering the work area must wear personal protective equipment.** Fragments of workpiece or of a broken accessory may fly away and cause injury beyond immediate area of operation.
- j) **Hold power tool by insulated gripping surfaces only, when performing an operation where the cutting accessory may contact hidden wiring or its own cord.** Cutting accessory contacting a "live" wire may make exposed metal parts of the power tool "live" and shock the operator.
- k) **Position the cord clear of the spinning accessory.** If you lose control, the cord may be cut or snagged and your hand or arm may be pulled into the spinning accessory.
- l) **Never lay the power tool down until the accessory has come to a complete stop.** The spinning accessory may grab the surface and pull the power tool out of your control.

- m) **Do not run the power tool while carrying it at your side.** Accidental contact with the spinning accessory could snag your clothing, pulling the accessory into your body.
 - n) **Regularly clean the power tool's air vents.** The motor's fan will draw the dust inside the housing and excessive accumulation of powdered metal may cause electrical hazards.
 - o) **Do not operate the power tool near flammable materials.** Sparks could ignite these materials.
 - p) **Do not use accessories that require liquid coolants.** Using water or other liquid coolants may result in electrocution or shock.
- a) **Maintain a firm grip on the power tool and position your body and arm to allow you to resist kickback forces. Always use auxiliary handle, if provided, for maximum control over kickback or torque reaction during start up.** The operator can control torque reaction or kickback forces, if proper precautions are taken.
 - b) **Never place your hand near the rotating accessory.** Accessory may kickback over your hand.
 - c) **Do not position your body in the area where power tool will move if kickback occurs.** Kickback will propel the tool in direction opposite to the wheel's movement at the point of snagging.
 - d) **Use special care when working corners, sharp edges, etc. Avoid bouncing and snagging the accessory.** Corners, sharp edges or bouncing have a tendency to snag the rotating accessory and cause loss of control or kickback.
 - e) **Do not attach a saw chain woodcarving blade or toothed saw blade.** Such blades create frequent kickback and loss of control.

Further Safety Instructions for All Operations

KICKBACK AND RELATED WARNINGS

Kickback is a sudden reaction to a pinched or snagged rotating wheel, backing pad, brush or any other accessory. Pinching or snagging causes rapid stalling of the rotating accessory which in turn causes the uncontrolled power tool to be forced in the direction opposite of the accessory's rotation at the point of the binding.

For example, if an abrasive wheel is snagged or pinched by the workpiece, the edge of the wheel that is entering into the pinch point can dig into the surface of the material causing the wheel to climb out or kick out. The wheel may either jump toward or away from the operator, depending on direction of the wheel's movement at the point of pinching. Abrasive wheels may also break under these conditions.

Kickback is the result of tool misuse and/or incorrect operating procedures or conditions and can be avoided by taking proper precautions as given below:

Safety Warnings Specific for Polishing Operations

- a) **Do not allow any loose portion of the polishing bonnet or its attachment strings to spin freely. Tuck away or trim any loose attachment strings.** Loose and spinning attachment strings can entangle your fingers or snag on the workpiece.

Additional Specific Safety Instructions for Polishers

- **Always use eye protection.** All users and bystanders must wear eye protection that conforms to ANSI Z87.1.

- **Clean out your tool often, especially after heavy use.** Dust and grit containing metal particles often accumulate on interior surfaces and could create an electric shock hazard.
- **Do not operate this tool for long periods of time.** Vibration caused by the operating action of this tool may cause permanent injury to fingers, hands and arms. Use gloves to provide extra cushion, take frequent rest periods and limit daily time of use.
- **Air vents often cover moving parts and should be avoided.** Loose clothes, jewelry or long hair can be caught in moving parts.
- **An extension cord must have adequate wire size (AWG or American Wire Gauge) for safety.** The smaller the gauge number of the wire, the greater the capacity of the cable, that is 16 gauge has more capacity than 18 gauge. An undersized cord will cause a drop in line voltage resulting in loss of power and overheating. When using more than one extension to make up the total length, be sure each individual extension contains at least the minimum wire size. The following table shows the correct size to use depending on cord length and nameplate ampere rating. If in doubt, use the next heavier gauge. The smaller the gauge number, the heavier the cord.

		Minimum Gauge for Cord Sets				
Ampere Rating		Volts	Total Length of Cord in Feet (meters)			
		120V	25 (7.6)	50 (15.2)	100 (30.5)	150 (45.7)
		240V	50 (15.2)	100 (30.5)	200 (61.0)	300 (91.4)
More Than	Not More Than	AWG				
0	6		18	16	16	14
6	10		18	16	14	12
10	12		16	16	14	12
12	16		14	12	Not Recommended	

⚠ WARNING: ALWAYS use safety glasses. Everyday eyeglasses are NOT safety glasses. Also use face or dust mask if cutting operation is dusty. **ALWAYS WEAR CERTIFIED SAFETY EQUIPMENT:**

- ANSI Z87.1 eye protection (CAN/CSA Z94.3),
- ANSI S12.6 (S3.19) hearing protection,
- NIOSH/OSHA/MSHA respiratory protection.

⚠ WARNING: Always wear proper personal hearing protection that conforms to ANSI S12.6 (S3.19) during use. Under some conditions and duration of use, noise from this product may contribute to hearing loss.

⚠ WARNING: Some dust created by power sanding, sawing, grinding, drilling, and other construction activities contains chemicals known to the State of California to cause cancer, birth defects or other reproductive harm. Some examples of these chemicals are:

- lead from lead-based paints,
- crystalline silica from bricks and cement and other masonry products, and
- arsenic and chromium from chemically-treated lumber.

Your risk from these exposures varies, depending on how often you do this type of work. To reduce your exposure to these chemicals: work in a well ventilated area, and work with approved safety equipment, such as those dust masks that are specially designed to filter out microscopic particles.

- **Avoid prolonged contact with dust from power sanding, sawing, grinding, drilling and other construction activities. Wear protective clothing and wash exposed areas with soap and water.** Allowing dust to get into your mouth, eyes, or lay on the skin may promote absorption of harmful chemicals.

▲ WARNING: Use of this tool can generate and/or disperse dust, which may cause serious and permanent respiratory or other injury. Always use NIOSH/OSHA approved respiratory protection appropriate for the dust exposure. Direct particles away from face and body.

▲ CAUTION: Use extra care when working into a corner because a sudden, sharp movement of the polisher may be experienced when the wheel or other accessory contacts a secondary surface or a surface edge.

- The label on your tool may include the following symbols. The symbols and their definitions are as follows:

V..... volts	A..... amperes
Hz..... hertz	W..... watts
min minutes	~ or AC..... alternating current
== or DC... direct current	⚡ or AC/DC... alternating or direct current
Ⓜ..... Class I Construction (grounded)	Ⓜ..... Class II Construction (double insulated)
.../min per minute	n _o no load speed
BPM..... beats per minute	n rated speed
IPM..... impacts per minute	⊕ earthing terminal
RPM..... revolutions per minute	▲..... safety alert symbol
sfpm surface feet per minute	
SPM strokes per minute	

SAVE THESE INSTRUCTIONS

Motor

Be sure your power supply agrees with the nameplate marking. Voltage decrease of more than 10% will cause loss of power and overheating. DEWALT tools are factory tested; if this tool does not operate, check power supply.

COMPONENTS (Fig. 1)

▲ WARNING: Never modify the power tool or any part of it. Damage or personal injury could result.

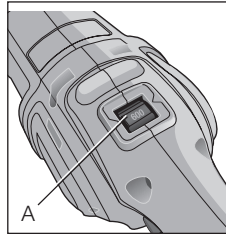
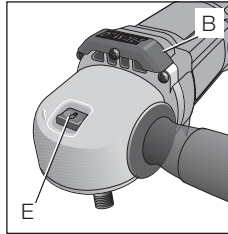
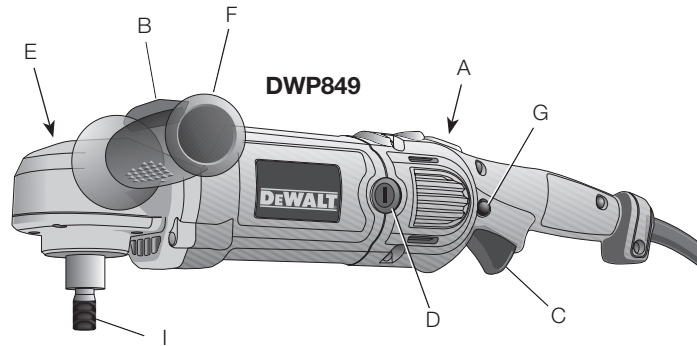
- | | |
|------------------------------------|--------------------------------|
| A. Speed control wheel | G. Trigger locking button |
| B. Cushion tool rest (DWP849 only) | H. Bale handle |
| C. Variable speed trigger switch | I. Spindle |
| D. Brush inspection cap | J. Soft rubber gear case cover |
| E. Spindle lock button | K. Wool ingestion shield |
| F. Auxiliary handle | |

INTENDED USE

The DWP849 and DWP849X heavy-duty polishers are designed for polishing painted or unfinished metal, fiberglass, and composite surfaces in professional applications. Common examples of use include but are not limited to: auto/marine/RV/motorcycle detailing and finish correction, boat construction and repair, and metal or concrete finishing.

Do not use in the presence of flammable liquids or gases. Do not let children come into contact with the tool. Supervision is required when inexperienced operators use this tool.

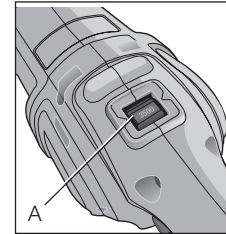
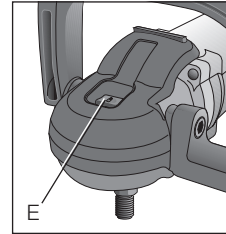
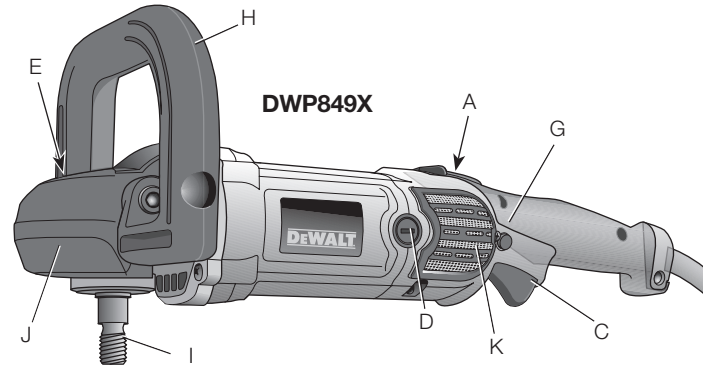
FIG. 1



Auxiliary Handle (Fig. 1)

An auxiliary handle (F) is furnished with your tool and can be installed on either side of the gear case. This handle should be used at all times to maintain complete control of the tool.

A bale handle (H) is also provided with the DWP849X and can be used in place of the auxiliary handle.



Variable Speed Trigger Switch (Fig. 1)

These tools are equipped with a variable speed trigger switch that permits speed control from 0 to 3500 RPM. To turn the tool on, squeeze the trigger switch (C) shown in Figure 1 until the tool starts to run. The farther you depress the trigger, the faster it will operate. Releasing the trigger turns the tool off.

English

Use lower speeds for applying liquid waxes and polishes and higher speeds for removing dried liquid. Use the highest speed (fully depress trigger) for buffing the car to a final lustre.

The tool can be locked on for continuous use by squeezing the trigger switch fully and depressing the lock button (G) shown in Figure 1. Hold the lock button in as you gently release the trigger switch. The tool will continue to run. To turn the tool off from a locked-on position, squeeze and release the trigger switch once. Do not unplug the tool with the switch in the locked-on condition. Make sure the tool is not locked on when plugging in.

The variable speed trigger switch (C) has a no-volt release function. In the event of a power outage or other unexpected shut down, the trigger switch needs to be cycled (depress the trigger switch, release, then depress again) to restart the tool. Do not unplug the tool with the trigger switch in the locked-on condition. Make sure the tool is not locked on when plugging in. If the tool is plugged back in with the trigger switch in the locked-on position, the tool will not run until the trigger switch (C) is cycled as described above.

NOTE: The trigger switch can only be locked on with the tool running at the maximum RPM designated by the speed control wheel (A).

Speed Control Wheel (Fig. 1)

The maximum speed of your tool can be changed by rotating the speed control wheel (A) to the desired setting. The wheel incorporates detents to prevent inadvertent wheel movement and to facilitate speed selection. For added versatility, the trigger switch may be locked in its full on position and tool speed changed by means of the speed control wheel (A) alone.

The electronic speed control not only lets you select the speed to suit the job, but also helps to maintain that speed as you load the tool by pressing down. It's this feature, coupled with the variable speed trigger switch, that make this tool such a value.

The speed control wheel (A) can be set for any speed between 600 and 3500 RPM and the variable speed switch will then control tool speed from zero to the wheel setting. For example: A control wheel setting of 2200 RPM will allow the variable speed switch to operate the tool between zero and 2200 RPM, depending on how far the trigger switch is depressed. A wheel setting of 600 RPM would allow the switch to operate the tool from zero to 600 RPM.

The electronic speed control feature comes into play whenever the trigger switch is fully depressed and the tool is running at the selected speed determined by the setting of the control wheel. As you load the tool by pushing it down on the work surface, (with the trigger fully depressed) the electronic circuit inside the tool will compensate for the loading and maintain the selected speed. If the speed selected by the control wheel is 2200 RPM, as in the example above, the tool will maintain 2200 RPM, as it is loaded.

It is important to remember two things about electronic speed control:

1. The electronic speed control operates only when the trigger switch (C) is fully depressed.
2. The effect of electronic speed control is much easier to observe at lower speed settings (2600 RPM and below), than at high speeds. As the tool approaches 3000 RPM, the effect is considerably less dramatic.

Keep in mind that, with a conventional polisher running at a typical no-load speed of 2400 RPM, the tool slows down to about 2000 RPM under a polishing load. Your DWP849 or DWP849X will continue to run at 2400 RPM (or any speed you select with the control wheel) as a load is applied. Since it doesn't slow down, the speed may be greater than you're used to, so some extra caution should be observed until you get the "feel" of your polisher. If you feel the speed is too great, you can, of course, slow the tool down with either the trigger switch or the control wheel.

Spindle Lock Button (Fig. 1)

⚠ WARNING: To reduce the risk of serious personal injury, turn tool off and disconnect tool from power source before making any adjustments or removing/installing attachments or accessories. Before reconnecting the tool, depress and release the trigger switch to ensure that the tool is off.

In order to prevent the spindle of the tool from rotating while installing or removing accessories, a spindle lock button (E) has been provided in the gear head of the machine. To lock the spindle, depress and hold the lock button. NEVER DEPRESS THE SPINDLE LOCK BUTTON WITH THE TOOL RUNNING OR COASTING.

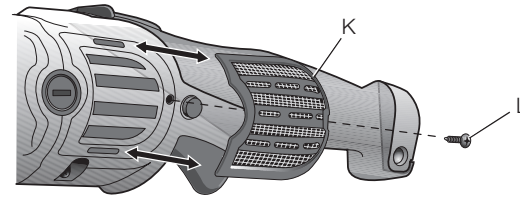
Wool Ingestion Shields (Fig. 1, 2)

The wool ingestion shields (K) are designed to reduce the amount of wool, dust, and debris that gets ingested by the motor during normal use. The goal of the ingestion shields is to improve durability as compared to a unit without the ingestion shields.

Each ingestion shield can be easily removed for cleaning by removing the mounting screw (L), followed by sliding the shield back towards the trigger end of the tool and then lifting it off.

The wool ingestion shields can be cleaned with soap and water and a soft bristle brush in the event they get clogged with polish and debris. Clean the shields as soon as you start to see buildup on the outside. Your tool may come with a set of wool ingestion shields. The wool ingestion shields are available at extra cost from your local dealer or authorized service center.

FIG. 2



Soft Rubber Gear Case Cover (Fig. 1)

The soft rubber gear case cover (J) is designed to eliminate metal gear case scuffs on painted or polished surfaces.

The soft rubber gear case cover can be removed if required. To take off the cover, remove the three mounting screws and lift the cover over the gear case.

Your tool may come with a soft rubber gear case cover. The soft rubber gear case cover is available at extra cost from your local dealer or authorized service center.

OPERATION

⚠ WARNING: To reduce the risk of serious personal injury, turn tool off and disconnect tool from power source before making any adjustments or removing/installing attachments or accessories. Before reconnecting the tool, depress and release the trigger switch to ensure that the tool is off.

Polishing pads with a diameter of 6", 7" or 9" (15.2, 17.8 or 22.9 cm) may be used with the DWP849 and DWP849X.

Attaching and Removing Polishing Pads (Fig. 3)

⚠ WARNING: To reduce the risk of serious personal injury, do not allow any loose portion of the polishing bonnet or its attachment strings to spin freely. Tuck away or trim any loose attachment strings. Loose and spinning attachment strings can entangle your fingers or snag on the workpiece.

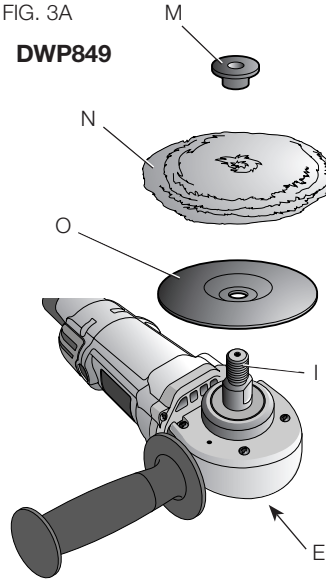
NOTE: Both the DWP849 and the DWP849X may use either type of polishing pad assembly described below.

TO ATTACH POLISHING PAD WITH RUBBER BACKING PAD (FIG. 3A)

FIG. 3A

DWP849

1. To attach polishing pad (N), push the hub of the clamp washer (M) through the hole in the center of the polishing pad as far as it will go.
2. Engage the hexagonal hole in the backing pad (O). Holding the three pieces firmly together, place the assembly on the tool spindle (I).
3. Hold the spindle lock button (E) while turning the pads clockwise to thread them completely on the spindle.

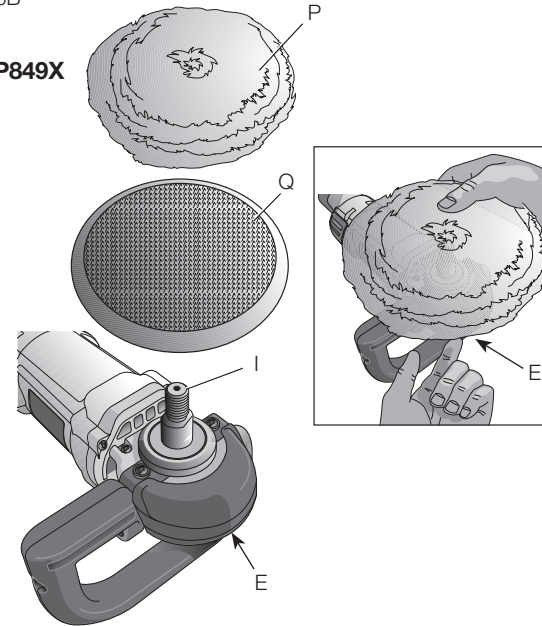


TO ATTACH POLISHING PAD WITH HOOK AND LOOP BACKING PAD (FIG. 3B)

1. Attach hook and loop foam or wool pad (P) to hook and loop backing pad (Q), being careful to center the backing pad with the foam or wool pad.
2. Screw backing pad (Q) onto spindle (I), while depressing spindle lock button (E).

FIG. 3B

DWP849X



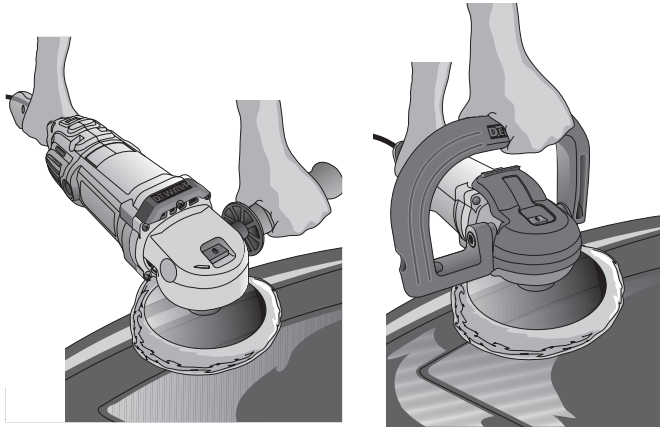
TO REMOVE PADS

Turn them by hand in the opposite direction from normal rotation to allow lock button to engage spindle, then unscrew pads in normal direction for right-hand thread.

Polishing (Fig. 4)

These instructions and suggestions are intended to familiarize new operators in overall general operation of power polishing. You will develop your own techniques which will make the job easier and faster as you learn power polishing.

FIG. 4



- You should use utmost care when power polishing around or over sharp objects and contours of the car body. It is very important to use the correct pressure while polishing various sections of an automobile body. For example, light pressure should be applied when polishing over sharp edges of body panels, or over edges of the rain gutter along the top.

- Since everyone does not use the same type of power polish, we recommend you clean and polish a test section on a flat area of the car first. From this test section, you can judge the strength or cleaning action of your power polish.
- Remember, all power polish is not the same. Different brands will react differently on various painted surfaces. Also, you are now using a power polisher with power polish. This is entirely different from any hand application which you may have done before. Wash the car before power polishing it. Washing will remove loose dirt, scum, road salt, etc. which could act as an abrasive and damage paint. Loose dirt, etc. will also clog the polishing pad and you will have to clean it more often.
- Without turning the tool on, grasp the handles of the tool and pick it up (Fig. 4). Keep the tool away from your body and depress the trigger switch. Make sure you have a firm grip on the handles and operate the tool freely without forced effort or unnecessary pressure. The side handle can be easily changed to either side of the tool for left-handed or right-handed operation.

NOTE: The high speed rubbing action of the polishing bonnet upon the surface of an automobile can build a static charge on the metal portions of this tool. This can result in a sensation of a very short mild electric shock when the metal area of the tool is touched, and will be more noticeable on days when the humidity is low. This is a harmless phenomenon but you are invited to bring the tool to a DEWALT service center where it can be checked to assure that no electrical malfunction is present.

MAINTENANCE

Your DEWALT power tool has been designed to operate over a long period of time with a minimum of maintenance. Continuous satisfactory operation depends upon proper tool care and regular cleaning.

⚠ WARNING: To reduce the risk of serious personal injury, turn tool off and disconnect tool from power source before

making any adjustments or removing/installing attachments or accessories. Before reconnecting the tool, depress and release the trigger switch to ensure that the tool is off.

Cleaning

▲ WARNING: Blow dirt and dust out of all air vents with dry air at least once a week. Wear proper ANSI Z87.1 (CAN/CSA Z94.3) eye protection and proper NIOSH/OSHA/MSHA respiratory protection when performing this.

▲ WARNING: Never use solvents or other harsh chemicals for cleaning the non-metallic parts of the tool. These chemicals may weaken the plastic materials used in these parts. Use a cloth dampened only with water and mild soap. Never let any liquid get inside the tool; never immerse any part of the tool into a liquid.

Lubrication

DEWALT tools are properly lubricated at the factory and are ready for use. Tools should be relubricated regularly every sixty days to six months, depending on usage. (Tools used constantly on production or heavy-duty jobs and tools exposed to heat may require more frequent lubrication.) This lubrication should only be attempted by trained power tool repairpersons such as those at DEWALT service centers or other authorized service locations.

Motor Brushes

Be sure tool is unplugged before inspecting brushes. Carbon brushes should be regularly inspected for wear. To inspect brushes, unscrew the plastic brush inspection caps (located in the sides of the motor housing) so the spring and brush assemblies may be withdrawn from the tool. Keep brushes clean and sliding freely in their guides. Carbon brushes have varying symbols stamped into them, and if the brushes are worn down to the line closest to the spring, they must be replaced.

Accessories

▲ WARNING: Since accessories, other than those offered by DEWALT, have not been tested with this product, use of such accessories with this tool could be hazardous. To reduce the risk of injury, only DEWALT recommended accessories should be used with this product.

Recommended accessories for use with your tool are available at extra cost from your local dealer or authorized service center. If you need assistance in locating any accessory, please contact DEWALT Industrial Tool Co., 701 East Joppa Road, Baltimore, MD 21286, call 1-800-4-DEWALT (1-800-433-9258) or visit our website: www.dewalt.com.

Use only accessories having a maximum operating speed at least as high as the highest "NO LOAD RPM" marked on the tool's nameplate. This precaution applies to any accessory on any tool.

- **Rubber backing pads:** 7" (17.8 cm) Quick Change Super Flexible Rubber Backing Pad (includes clamp washer)
- **7" (17.8 cm) hook and loop backing pads**
- **Soft rubber gear case cover**
- **Wool ingestion shields**
- **Auxiliary handle**
- **Bale handle**

Repairs

To assure product SAFETY and RELIABILITY, repairs, maintenance and adjustments (including brush inspection and replacement) should be performed by a DEWALT factory service center, a DEWALT authorized service center or other qualified service personnel. Always use identical replacement parts.

Three Year Limited Warranty

DEWALT will repair, without charge, any defects due to faulty materials or workmanship for three years from the date of purchase. This warranty does not cover part failure due to normal wear or tool abuse. For further detail of warranty coverage and warranty repair information, visit www.dewalt.com or call 1-800-4-DEWALT (1-800-433-9258). This warranty does not apply to accessories or damage caused where repairs have been made or attempted by others. This warranty gives you specific legal rights and you may have other rights which vary in certain states or provinces.

In addition to the warranty, DEWALT tools are covered by our:

1 YEAR FREE SERVICE

DEWALT will maintain the tool and replace worn parts caused by normal use, for free, any time during the first year after purchase.

90 DAY MONEY BACK GUARANTEE

If you are not completely satisfied with the performance of your DEWALT Power Tool, Laser, or Nailer for any reason, you can return it within 90 days from the date of purchase with a receipt for a full refund – no questions asked.

LATIN AMERICA: This warranty does not apply to products sold in Latin America. For products sold in Latin America, see country specific warranty information contained either in the packaging, call the local company or see website for warranty information.

FREE WARNING LABEL REPLACEMENT: If your warning labels become illegible or are missing, call 1-800-4-DEWALT (1-800-433-9258) for a free replacement.

DWPXXX 7" (180mm) POLISHER	
SER. [REDACTED]	
⚠ WARNING	TO REDUCE THE RISK OF INJURY, USER MUST READ INSTRUCTION MANUAL. USE ONLY ACCESSORIES RATED AT LEAST EQUAL TO THE MAXIMUM SPEED MARKED ON THE TOOL. ALWAYS USE PROPER EYE AND RESPIRATORY PROTECTION.
⚠ ADVERTENCIA: PARA EL MANEJO SEGURO LEA EL MANUAL DE INSTRUCCIONES. USE SOLAMENTE ACCESORIOS CLASIFICADOS AL MENOS PARA LA MÁXIMA VELOCIDAD MARCADA SOBRE LA HERRAMIENTA. SIEMPRE SE DEBERÁ LLEVAR LA PROTECCIÓN APROPIADA PARA LA VISTA Y PARA LAS VÍAS RESPIRATORIAS.	
⚠ AVERTISSEMENT: À TITRE PRÉVENTIF, LIRE LE GUIDE. UTILISER EXCLUSIVEMENT DES ACCESSOIRES DONT LA VITESSE NOMINALE EST ÉQUIVALENTE OU SUPÉRIEURE À CELLE RECOMMANDÉE SUR L'ÉTIQUETTE D'AVERTISSEMENT DE L'OUTIL. IL FAUT TOUJOURS PORTER DE L'ÉQUIPEMENT DE PROTECTION OCULAIRE ET RESPIRATOIRE APPROPRIÉ.	
DEWALT INDUSTRIAL TOOL CO., BALTIMORE, MD 21286 USA FOR SERVICE INFORMATION, CALL 1-800-4-DEWALT www.DEWALT.com	

Définitions : lignes directrices en matière de sécurité

Les définitions ci-dessous décrivent le niveau de danger pour chaque mot-indicateur employé. Lire le mode d'emploi et porter une attention particulière à ces symboles.

⚠ DANGER : indique une situation dangereuse imminente qui, si elle n'est pas évitée, **entraînera la mort ou des blessures graves.**

⚠ AVERTISSEMENT : indique une situation potentiellement dangereuse qui, si elle n'est pas évitée, **pourrait entraîner la mort ou des blessures graves.**

⚠ ATTENTION : indique une situation potentiellement dangereuse qui, si elle n'est pas évitée, **pourrait entraîner des blessures légères ou modérées.**

AVIS : indique une pratique ne posant **aucun risque de dommages corporels** mais qui par contre, si rien n'est fait pour l'éviter, **pourrait** poser des **risques de dommages matériels.**

POUR TOUTE QUESTION OU REMARQUE AU SUJET DE CET OUTIL OU DE TOUT AUTRE OUTIL DEWALT, COMPOSEZ LE NUMÉRO SANS FRAIS : 1 800 433-9258 (1 800 4-DEWALT).



AVERTISSEMENT : afin de réduire le risque de blessures, lire le mode d'emploi de l'outil.

Avertissements de sécurité généraux pour les outils électriques



AVERTISSEMENT! Lire tous les avertissements de sécurité et toutes les directives. Le non-respect des avertissements et des directives pourrait se solder par un choc électrique, un incendie et/ou une blessure grave.

CONSERVER TOUTES CES DIRECTIVES ET CONSIGNES À TITRE DE RÉFÉRENCE

Le terme « outil électrique » dans ces directives se rapporte à votre outil électrique alimenté sur secteur (avec fil) ou par piles (sans fil).

1) SÉCURITÉ – AIRE DE TRAVAIL

- Maintenir l'aire de travail propre et bien éclairée.** Les lieux encombrés ou sombres sont propices aux accidents.
- Ne pas faire fonctionner un outil électrique dans une atmosphère explosive, en présence par exemple de poussières, gaz ou liquides inflammables.** Les outils électriques peuvent produire des étincelles qui pourraient enflammer toute émanation ou poussière ambiante.
- Tenir les enfants, ou toute autre personne, à l'écart pendant l'utilisation d'un outil électrique.** Toute distraction pourrait faire perdre la maîtrise de l'appareil.

2) SÉCURITÉ – ÉLECTRICITÉ

- La fiche électrique de l'outil doit correspondre à la prise murale. Ne jamais modifier la fiche en aucune façon. Ne jamais utiliser de fiche d'adaptation avec un outil électrique mis à la terre.** L'utilisation de fiches d'origine et de prises appropriées réduira les risques de choc électrique.
- Éviter tout contact corporel avec des éléments mis à la terre comme tuyaux, radiateurs, cuisinières ou réfrigérateurs.** Les risques de choc électrique augmentent lorsque le corps est mis à la terre.
- Ne pas exposer les outils électriques à la pluie ou à l'humidité.** Toute pénétration d'un outil électrique par un liquide augmente les risques de choc électrique.
- Ne pas utiliser le cordon de façon abusive. Ne jamais utiliser le cordon pour transporter, tirer ou débrancher un outil électrique. Protéger le cordon de la chaleur, de**

l'huile et de tout bord tranchant ou pièce mobile. Les cordons endommagés ou emmêlés augmentent les risques de choc électrique.

- e) ***Lors de l'utilisation d'un outil électrique à l'extérieur, n'utiliser que des rallonges conçues pour l'extérieur.*** L'utilisation d'une rallonge conçue pour l'extérieur réduit les risques de choc électrique.
- f) ***S'il est impossible d'éviter l'utilisation d'un outil électrique dans un endroit humide, brancher l'outil dans une prise ou sur un circuit d'alimentation dotés d'un disjoncteur de fuite à la terre (GFCI).*** L'utilisation de ce type de disjoncteur réduit les risques de choc électrique.

3) SÉCURITÉ PERSONNELLE

- a) ***Rester constamment vigilant et faire preuve de jugement pendant l'utilisation d'un outil électrique. Ne pas utiliser d'outil électrique en cas de fatigue ou sous l'influence de drogues, d'alcool ou de médicaments.*** Tout moment d'inattention pendant l'utilisation d'un outil électrique pose des risques de blessure grave.
- b) ***Utiliser un équipement de protection individuel. Porter systématiquement des lunettes de protection.*** Le fait de porter un équipement de protection tel que masque antipoussières, chaussures antidérapantes, casque de sécurité ou protecteurs auditifs lorsque la situation le requiert, réduira les risques de dommages corporels.
- c) ***Prévenir tout démarrage accidentel. S'assurer que l'interrupteur est en position d'arrêt avant de brancher l'outil et/ou de le connecter à un bloc-piles, et avant de le saisir ou de le transporter.*** Transporter un outil le doigt sur l'interrupteur, ou brancher un outil électrique alors que l'interrupteur est en position de marche, invite les accidents.

- d) ***Retirer toute clé de réglage avant de démarrer l'outil.*** Une clé laissée sur une pièce rotative d'un outil électrique pose des risques de blessure.
- e) ***Ne pas effectuer de travaux hors de portée. Les pieds doivent rester bien ancrés au sol afin de maintenir son équilibre en tout temps.*** Cela permet de mieux maîtriser l'outil électrique dans les situations imprévues.
- f) ***Porter des vêtements appropriés. Ne pas porter de vêtements amples ni de bijoux. Maintenir cheveux, vêtements et gants éloignés des pièces mobiles.*** Vêtements amples, bijoux ou cheveux longs risquent de rester coincés dans ces pièces mobiles.
- g) ***Lorsqu'un dispositif de connexion à un système de dépoussiérage ou d'élimination est fourni, s'assurer qu'il est connecté et utilisé correctement.*** L'utilisation d'aspirateurs peut réduire les risques engendrés par les poussières.

4) UTILISATION ET ENTRETIEN DES OUTILS ÉLECTRIQUES

- a) ***Ne pas forcer un outil électrique. Utiliser l'outil approprié au travail en cours.*** L'outil approprié effectuera un meilleur travail, de façon plus sûre et à la vitesse pour laquelle il a été conçu.
- b) ***Ne pas utiliser un outil électrique dont l'interrupteur est défectueux.*** Tout appareil dont l'interrupteur est défectueux est dangereux et doit être réparé.
- c) ***Débrancher la fiche du secteur et/ou le bloc-piles de l'outil électrique avant de faire tout réglage ou changement d'accessoire, ou avant de ranger ce dernier.*** Ces mesures préventives réduisent les risques de démarrage accidentel de l'appareil.
- d) ***Après usage, ranger les outils électriques hors de la portée des enfants, et ne permettre à aucune personne***

n'étant pas familière avec un outil électrique (ou son manuel d'instruction) d'utiliser ce dernier. Les outils peuvent être dangereux entre les mains des novices.

- e) **Entretien des outils électriques. Vérifier les pièces mobiles pour s'assurer qu'elles sont bien alignées et tournent librement, qu'elles sont en bon état et ne sont affectées d'aucune condition susceptible de nuire au bon fonctionnement de l'outil. En cas de dommage, faire réparer l'outil électrique avant toute nouvelle utilisation.** *Bien des accidents sont causés par des outils mal entretenus.*
- f) **Maintenir toute lame aiguisée et propre.** *Les outils de coupe bien entretenus et affûtés sont moins susceptibles de se coincer et sont plus faciles à contrôler.*
- g) **Utiliser un outil électrique, ses accessoires, mèches, etc., conformément aux présentes directives en tenant compte des conditions de travail et du travail à effectuer.** *L'utilisation d'un outil électrique pour toute opération autre que celle pour laquelle il a été conçu est dangereuse.*

5) SERVICE

- a) **Faire entretenir les outils électriques par un réparateur qualifié en utilisant seulement des pièces de rechange identiques.** *Cela permettra d'assurer l'intégrité de l'outil électrique et la sécurité de l'utilisateur.*

Consignes de sécurité propres à toute utilisation

- a) **Cet outil électrique a été conçu pour être utilisé comme polisseuse. Lire toutes les consignes de sécurité, les directives, les illustrations et les caractéristiques techniques fournies avec cet outil électrique.** *Tout manquement aux directives suivantes pose des risques de chocs électriques, d'incendie et/ou de blessures graves.*

- b) **Les opérations de ponçage, brossage métallique, meulage ou découpe ne sont pas recommandées avec cet outil électrique.** *Toute utilisation de cet outil électrique dans un but autre que celui pour lequel il a été conçu est dangereuse et pose des risques de dommages corporels.*
- c) **Ne pas utiliser des accessoires qui n'ont pas été spécialement conçus pour cet outil ou recommandés par son fabricant.** *Le fait qu'un accessoire peut être connecté à l'outil ne veut pas automatiquement dire que son utilisation ne posera aucun risque.*
- d) **La vitesse nominale des accessoires utilisés doit être équivalente ou supérieure à la vitesse maximale apposée sur l'outil.** *Les accessoires utilisés à une vitesse plus rapide que leur vitesse nominale peuvent éclater ou se détacher de l'outil.*
- e) **Le diamètre externe et l'épaisseur de l'accessoire utilisé doivent se conformer aux spécifications de la plaque signalétique de l'outil électrique.** *Les accessoires aux spécifications incorrectes ne peuvent être ni maintenus ni contrôlés de façon adéquate.*
- f) **Les raccords filetés d'accessoires doivent correspondre au filetage de la broche de la meuleuse. Pour les accessoires à installation par brides, l'alésage central de l'accessoire doit correspondre au diamètre de référence de la bride.** *Les accessoires ne correspondant pas au dispositif d'installation de l'outil électrique ne seront pas stables, vibreront de façon excessive et pourront causer la perte de contrôle de l'outil.*
- g) **Ne pas utiliser d'accessoire endommagé. Avant toute utilisation, vérifier que les accessoires, comme les meules abrasives, ne sont endommagés en aucune façon, que les tampons de soutien ne sont pas fendus, qu'il n'existe aucune fissure ou usure excessive, que**

les fils des brosses métalliques ne sont ni lâches ni endommagés. En cas de chute, vérifier que l'outil électrique ou l'accessoire n'a pas été endommagé, et remplacer toute pièce abîmée. Après avoir inspecté et installé un accessoire, se positionner, soi-même et tout individu présent, hors du plan de rotation de l'accessoire et laisser tourner l'outil une minute à sa vitesse à vide maximale. En général, les accessoires endommagés se brisent pendant le temps d'essai.

- h) **Porter un équipement individuel de protection. Selon l'application, utiliser une protection faciale et des lunettes ou un masque de protection. Si approprié, porter un masque anti-poussières, une protection auditive, des gants et un tablier d'atelier capables de vous protéger contre toute projection abrasive ou tout fragment. La protection oculaire doit pouvoir arrêter toute projection de débris engendrés par des opérations diverses. Le masque anti-poussières, ou l'appareil de protection des voies respiratoires, doit pouvoir filtrer les particules engendrées par l'opération en cours. Toute exposition prolongée à un haut niveau de décibels peut occasionner une perte de l'acuité auditive.**
- i) **Maintenir à distance toute personne étrangère au travail en cours. Toute personne à l'intérieur de l'aire de travail doit porter un équipement individuel de protection. Des débris provenant de la pièce à travailler ou d'un accessoire brisé pourraient être éjectés et causer des dommages corporels au-delà de l'aire de travail immédiate.**
- j) **Tenir l'outil électrique par les surfaces isolées prévues à cet effet pendant toute utilisation où l'organe de coupe pourrait entrer en contact avec des fils électriques cachés ou son propre cordon. Tout contact de l'organe de coupe avec un fil sous tension met les parties métalliques**

exposées de l'outil électrique sous tension et électrocute l'utilisateur.

- k) **Positionner le cordon hors du chemin de l'accessoire en rotation. En cas de perte de contrôle de l'outil, le cordon pourrait être coupé ou arraché, et les mains ou bras pourraient entrer en contact avec l'accessoire en rotation.**
- l) **Attendre systématiquement l'arrêt complet de l'accessoire avant de poser l'outil électrique. L'accessoire en rotation pourrait s'accrocher à une surface et vous faire perdre le contrôle de l'outil électrique.**
- m) **Ne pas laisser l'outil électrique tourner alors que vous le transportez à votre côté. Tout contact accidentel de l'accessoire en rotation pourrait faire que ce dernier s'accroche aux vêtements et entre en contact avec le corps.**
- n) **Nettoyer régulièrement les orifices d'aération de l'outil. Le ventilateur du moteur attirera de la poussière à l'intérieur du boîtier et une accumulation excessive de poussières métalliques pose des risques d'électrocution.**
- o) **Ne pas utiliser cet outil électrique à proximité de matériaux inflammables, car des étincelles pourraient les enflammer.**
- p) **Ne pas utiliser d'accessoires nécessitant l'utilisation de réfrigérants fluides. L'utilisation d'eau ou de réfrigérants fluides pose des risques d'électrocution ou de chocs électriques.**

Consignes de sécurité additionnelles propres à toute utilisation

REBONDS ET AVERTISSEMENTS AFFÉRENTS

Les rebonds sont la conséquence du grippage ou coinçage d'une meule, d'un tampon de soutien, d'une brosse en rotation ou de tout autre accessoire. Tout grippage ou coinçage causera rapidement le blocage de l'accessoire en rotation, ce qui projettera l'outil électrique non contrôlé dans la direction opposée à l'accessoire en rotation au point du grippage.

Par exemple, si une meule abrasive reste accrochée ou pincée dans une pièce à travailler, le bord de la meule engagée au point de grippage peut s'enfoncer dans la surface du matériau et faire sauter ou rebondir la meule. La meule peut alors rebondir en direction ou à l'opposé de l'utilisateur, selon le sens du mouvement de la meule au point de grippage. Dans ces conditions, il peut aussi arriver que les meules abrasives se brisent.

Les rebonds proviennent d'une utilisation inadéquate de l'outil et/ou d'une procédure ou de conditions d'utilisation incorrectes, et peuvent être évités en prenant les précautions appropriées détaillées ci-après :

- a) **Maintenir l'outil électrique fermement et positionner les bras et le corps de façon à pouvoir résister à toute force de rebonds. Utiliser systématiquement la poignée auxiliaire, si fournie, pour optimiser le contrôle de l'outil en cas de rebonds ou de tout retour de couple au démarrage.** En prenant les précautions adéquates, l'utilisateur pourra contrôler tout retour de couple ou force de rebond.
- b) **Ne jamais approcher les mains de l'accessoire en rotation.** L'accessoire pourrait rebondir sur celles-ci.
- c) **Ne pas positionner le corps dans l'espace que pourrait occuper l'outil électrique en cas de rebonds.** Les rebonds projeteront l'outil dans la direction opposée au mouvement de la meule au point de grippage.
- d) **Prendre des précautions supplémentaires pour travailler des coins, des bords acérés, etc. Éviter que l'accessoire rebondisse ou reste accroché.** Les coins, bords acérés ou les sursauts ont tendance à retenir l'accessoire en rotation et causer la perte de contrôle de l'outil, ou des rebonds.
- e) **Ne pas rattacher une lame à chaîne coupante, à sculpter ou une lame dentée.** Ces lames posent des risques de rebonds fréquents et de perte de contrôle de l'outil.

Consignes de sécurité spécifiques propres au polissage

- a) **Ne laisser aucune portion lâche du bonnet de polissage ou ses cordons de fixation tourner librement. Dissimuler ou couper toute partie excessive des cordons de fixation.** Des cordons lâches, en rotation libre, pourraient se prendre dans les doigts ou s'accrocher à la pièce à travailler.

Directives de sécurité spécifiques supplémentaires pour les polisseuses

- **Toujours porter une protection oculaire.** Tous les utilisateurs et personnes à proximité doivent porter une protection oculaire conforme à la norme ANSI Z87.1.
- **Nettoyer l'outil régulièrement, particulièrement après une utilisation intensive.** La poussière et les saletés contenant des particules métalliques s'accumulent souvent sur les surfaces internes de l'outil et pourraient créer un risque de choc électrique.
- **Ne pas faire fonctionner cet outil durant de longues périodes.** Les vibrations causées par le fonctionnement de cet outil peuvent provoquer des blessures permanentes aux doigts, aux mains et aux bras. Utiliser des gants pour amortir davantage les vibrations, prendre de fréquentes périodes de repos et limiter la durée quotidienne d'utilisation.
- **Prendre des précautions à proximité des événements, car ils cachent des pièces mobiles.** Vêtements amples, bijoux ou cheveux longs risquent de rester coincés dans ces pièces mobiles.
- **Pour la sécurité de l'utilisateur, utiliser une rallonge de calibre adéquat (AWG, American Wire Gauge [calibrage américain normalisé des fils électriques]).** Plus le calibre est petit, et plus sa capacité est grande. Un calibre 16, par exemple, a plus de capacité qu'un calibre 18. L'usage d'une rallonge de calibre insuffisant causera une chute de tension entraînant perte

de puissance et surchauffe. Si plus d'une rallonge est utilisée pour obtenir une certaine longueur, s'assurer que chaque rallonge présente au moins le calibre de fil minimum. Le tableau ci-dessous illustre les calibres à utiliser selon la longueur de rallonge et l'intensité nominale indiquée sur la plaque signalétique. En cas de doute, utiliser le calibre suivant. Plus le calibre est petit, plus la rallonge peut supporter de courant.

Calibres minimaux des rallonges						
Intensité (en ampères)		Volts	Longueur totale de cordon en metres (pieds)			
			120V	7,6 (25)	15,2 (50)	30,5 (100)
		240V	15,2 (50)	30,5 (100)	61,0 (200)	91,4 (300)
Supérieur à	Inférieur à	AWG				
0	6		18	16	16	14
6	10		18	16	14	12
10	12		16	16	14	12
12	16		14	12	Non recommandé	

⚠ AVERTISSEMENT : TOUJOURS porter des lunettes de sécurité. Les lunettes de vue ne constituent PAS des lunettes de sécurité. Utiliser également un masque facial ou anti-poussière si l'opération de découpe génère de la poussière. **TOUJOURS PORTER UN ÉQUIPEMENT DE PROTECTION HOMOLOGUÉ :**

- protection oculaire conforme à la norme ANSI Z87.1 (CAN/CSA Z94.3),
- protection auditive conforme à la norme ANSI S12.6 (S3.19) et
- protection des voies respiratoires conformes aux normes NIOSH/OSHA/MSHA.

⚠ AVERTISSEMENT : TOUJOURS porter une protection auditive appropriée conformément à la norme ANSI S12.6 (S3.19) lors de l'utilisation du produit. Dans certaines conditions

et selon la durée d'utilisation, le bruit émis par ce produit peut contribuer à une perte auditive.

⚠ AVERTISSEMENT : les scies, meules, ponceuses, perceuses ou autres outils de construction peuvent produire des poussières contenant des produits chimiques reconnus par l'État californien pour causer cancers, malformations congénitales ou être nocifs au système reproducteur. Parmi ces produits chimiques, on retrouve :

- Le plomb dans les peintures à base de plomb ;
- La silice cristallisée dans les briques et le ciment, ou autres produits de maçonnerie ; et
- L'arsenic et le chrome dans le bois ayant subi un traitement chimique.

Les risques reliés à l'exposition à ces poussières varient selon la fréquence à laquelle l'utilisateur travaille avec ce type de matériaux. Pour réduire votre exposition à ces produits chimiques : travailler dans un endroit bien ventilé et porter un équipement de sécurité approuvé comme un masque antipoussières conçu spécialement pour filtrer les particules microscopiques.

• **Éviter le contact prolongé avec les poussières produites par les activités de ponçage, sciage, meulage, perçage et autres activités de construction. Porter des vêtements de protection et laver les parties du corps exposées avec une solution d'eau et de savon.** Laisser la poussière pénétrer dans la bouche, les yeux ou reposer sur la peau peut favoriser l'absorption de produits chimiques nocifs.

⚠ AVERTISSEMENT : l'utilisation de cet outil peut produire et/ou disperser des poussières pouvant causer des problèmes respiratoires graves et permanents ou d'autres blessures. Toujours porter une protection des voies respiratoires approuvée par la NIOSH/OSHA lors d'une exposition à la poussière. Diriger les particules loin du visage et du corps.

⚠ ATTENTION : prendre des précautions supplémentaires dans les coins, car la polisseuse pourrait avoir un sursaut soudain et brusque si la meule ou tout autre accessoire entrainé en contact avec une surface secondaire ou un bord.

• L'étiquette apposée sur votre outil peut inclure les symboles suivants. Les symboles et leur définition sont définis ci-après :

V..... volts	A..... ampères
Hz..... hertz	W..... watts
min minutes	~ ou AC..... courant alternatif
≡ ou DC... courant continu	⎓ ou AC/DC... courant alternatif ou continu
⚡..... classe I fabrication (mis à la terre)	⎓ ou AC/DC... courant alternatif ou continu
□..... fabrication classe II (double isolation)	n ₀ vitesse à vide
.../min par minute	n..... vitesse nominale
IPM..... impacts par minute	⊕..... borne de terre
BPM..... battements par minute	⚠..... symbole d'avertissement
sfpm pieds linéaires par minute (plpm)	r/min tours par minute
	SPM (FPM)..... fréquence par minute

CONSERVER CES MESURES

Moteur

S'assurer que le bloc d'alimentation est compatible avec l'inscription de la plaque signalétique. Une diminution de tension de plus de 10 % provoquera une perte de puissance et une surchauffe. Les outils

DEWALT sont testés en usine ; si cet outil ne fonctionne pas, vérifier l'alimentation électrique.

COMPOSANTS (fig. 1)

⚠ AVERTISSEMENT : ne jamais modifier l'outil électrique ou l'une de ses parties. Une telle pratique risque de provoquer des dommages matériels ou des blessures corporelles.

- | | |
|---|--|
| A. Volant de commande de vitesse | F. Poignée auxiliaire |
| B. Coussinet ergonomique (DWP849 seulement) | G. Bouton de verrouillage de la gâchette |
| C. Gâchette à vitesse variable | H. Poignée étrier |
| D. Capuchon d'inspection du balai | I. Broche |
| E. Bouton de verrouillage de la broche | J. Protection en caoutchouc souple du carter d'engrenage |
| | K. Écran anti-infiltration en laine |

USAGE PRÉVU

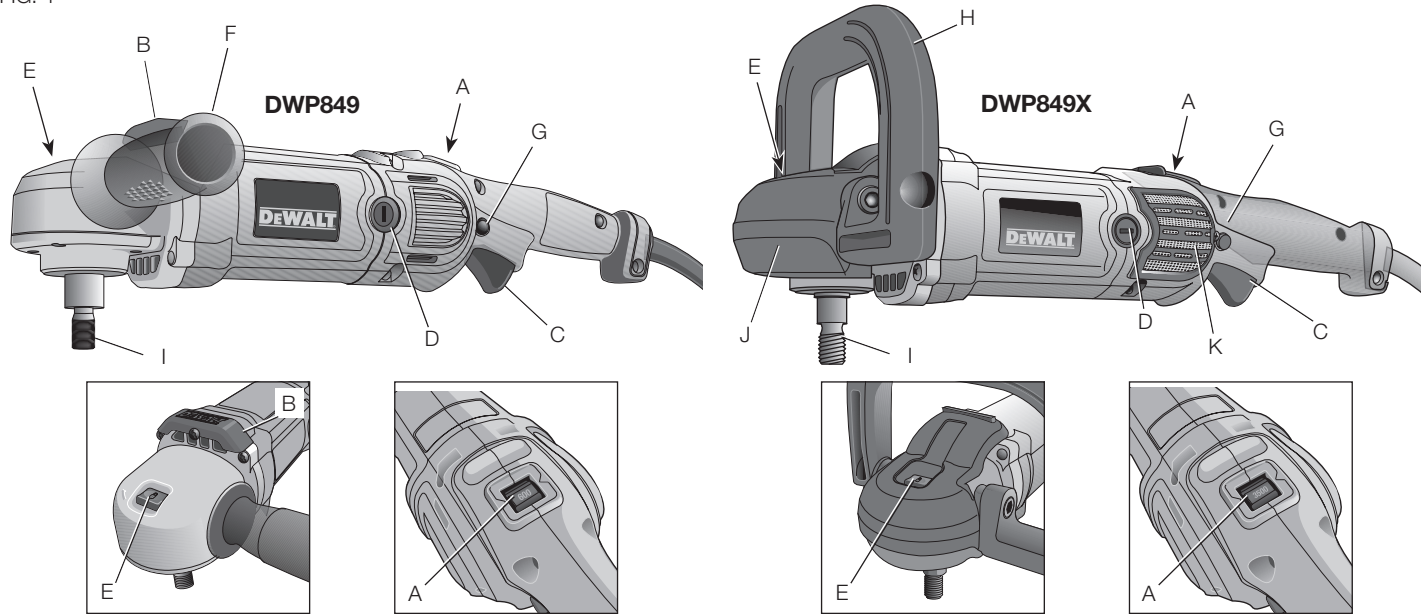
Les polisseuses industrielles, DWP849 et DWP849X, ont été conçues pour le polissage des surfaces peintes, composite ou en métal brut au sein d'applications professionnelles. Les exemples courants d'utilisation comprennent, mais sans s'y limiter : le détaillage et la correction du fini dans le secteur automobile/maritime/véhicules de camping/motocycle, la construction et la réparation de bateaux, et le fini des métaux et du béton.

Ne pas les utiliser en présence de gaz ou de liquides inflammables. Ne pas les laisser à la portée des enfants. Une supervision est nécessaire auprès de tout utilisateur non expérimenté.

Poignée auxiliaire (fig. 1)

Une poignée auxiliaire (F) est fournie avec l'outil et peut être installée sur l'un ou l'autre côté du carter d'engrenage. Cette poignée devrait être utilisée systématiquement pour conserver le contrôle intégral de l'outil.

FIG. 1



Une poignée étrier (H) a aussi été fournie avec la DWP849X et peut être utilisée au lieu de la poignée auxiliaire.

Gâchette à vitesse variable (fig. 1)

Ces outils sont équipés d'une gâchette à vitesse variable permettant de régler la vitesse entre 0 et 3500 r/min. Pour démarrer l'outil,

presser la gâchette (C) illustrée en figure 1 jusqu'au démarrage de l'outil. Plus on enfonce la gâchette et plus le régime augmente. La relâcher pour arrêter l'outil.

Utiliser les basses vitesses pour appliquer les cires liquides et les produits à polir et les vitesses élevées, pour enlever le liquide séché. La

vitesse maximale (gâchette complètement enfoncée) sert à procurer le lustre final au véhicule.

On peut verrouiller l'outil en mode de fonctionnement continu en enfonçant complètement la gâchette puis le bouton de verrouillage (G) illustré en figure 1. Maintenir le bouton de verrouillage enfoncé en relâchant doucement la gâchette. L'outil maintiendra son régime. Pour éteindre l'outil bloqué en mode continu, presser une fois sur la gâchette et la relâcher. Ne pas débrancher l'outil lorsque la gâchette est verrouillée en mode de fonctionnement continu. S'assurer que l'outil n'est pas verrouillé en mode de fonctionnement continu lorsqu'on le branche.

La gâchette à vitesse variable (C) est équipée d'une fonction de disparition de tension. En cas de panne de courant ou toute autre coupure accidentelle, il faut réinitialiser la gâchette (appuyer sur la gâchette, relâcher puis réappuyer) pour redémarrer l'outil. Ne débranchez pas l'outil alors que sa gâchette est en mode de verrouillage. Assurez-vous que l'outil n'est pas verrouillé en état de marche avant de le brancher. Si l'outil est rebranché alors que sa gâchette est en mode de verrouillage, l'outil ne fonctionnera pas tant que la gâchette (C) n'aura pas été réinitialisée comme décrit ci-dessus.

REMARQUE : la gâchette peut seulement être verrouillée lorsque l'outil tourne aux r/min maximum affichés par le régulateur automatique de vitesse (A).

Volant de commande de vitesse (fig. 1)

On peut modifier la vitesse maximale de l'outil en faisant tourner la commande du régulateur de vitesse (A) au réglage voulu. La commande comporte des cliquets qui empêchent le déplacement imprévu de la commande et facilitent le choix de la vitesse. Pour plus de polyvalence, on peut verrouiller la gâchette à plein régime et modifier le régime de l'outil uniquement avec la commande du régulateur de vitesse (A).

Le régulateur électronique permet non seulement de choisir la vitesse appropriée à la tâche mais également de maintenir la vitesse choisie lorsqu'on exerce de la pression sur l'outil. Cette fonctionnalité, alliée à la commande du régulateur de vitesse, rehausse la valeur de l'outil.

On peut régler la commande du régulateur de vitesse (A) à tout point entre 600 et 3500 tr/min, puis on se sert de l'interrupteur de vitesse variable qui contrôlera le régime de l'outil de zéro à la vitesse préétablie avec la commande. Ainsi, lorsque la commande du régulateur de vitesse est réglée à 2200 tr/min, l'interrupteur de vitesse variable fonctionnera entre zéro et 2200 tr/min selon la force exercée sur la gâchette. Lorsque la commande du régulateur de vitesse est réglée à 600 tr/min, l'outil fonctionne entre zéro et 600 tr/min avec l'interrupteur.

La fonction électronique de commande de vitesse entre en action lorsque la gâchette est complètement enfoncée et que l'outil est à plein régime selon le réglage de la commande du régulateur de vitesse. Lorsqu'on exerce une pression sur l'outil (et que la gâchette est complètement enfoncée), le circuit électronique de l'outil compensera pour la charge et maintiendra la vitesse choisie. Ainsi, lorsque la commande du régulateur de vitesse est réglée à 2200 tr/min, comme dans l'exemple précédent, l'outil fonctionnera toujours à 2200 tr/min, même sous charge.

Voici deux points importants à se rappeler relativement à la commande électronique de vitesse :

1. La commande électronique de vitesse fonctionne seulement lorsque la gâchette est complètement enfoncée.
2. L'effet de la commande électronique de vitesse se voit mieux lorsque l'outil est réglé à basses vitesses (moins de 2600 tr/min). Lorsque l'outil fonctionne à près de 3000 tr/min, son effet se remarque moins.

Rappelez-vous qu'avec une polisseuse conventionnelle tournant à une vitesse à vide typique de 2400 r/min, l'outil ralentira jusqu'à environ 2000 r/min pendant le polissage. Alors qu'une charge sera appliquée, votre DWP849 ou DWP894X continuera de tourner à 2400 r/min (ou n'importe quelle autre vitesse choisie sur le régulateur automatique). Comme elles ne ralentiront pas, la vitesse pourra être supérieure à celle à laquelle vous pouvez être habitué, aussi prenez des précautions supplémentaires tant que vous n'aurez pas votre polisseuse bien en main. Si vous pensez que la vitesse est trop élevée, vous pouvez, bien-entendu, ralentir l'outil avec la gâchette ou avec le régulateur automatique de vitesse.

Bouton de verrouillage de la broche (fig. 1)

⚠ AVERTISSEMENT : pour réduire le risque de blessures corporelles graves, éteindre l'outil et le débrancher avant d'effectuer tout réglage ou d'enlever ou d'installer des accessoires. Avant de rebrancher l'outil, enfoncer et relâcher la gâchette pour s'assurer que l'outil est hors tension.

Afin d'empêcher le mouvement de la broche de l'outil lors de l'installation ou du retrait d'accessoires, l'outil comporte un bouton de verrouillage de la broche (E), logée près des engrenages de l'outil. Pour verrouiller la broche, il faut enfoncer le bouton de verrouillage et le maintenir enfoncé. NE JAMAIS ENFONCER LE BOUTON DE VERROUILLAGE DE LA BROCHE LORSQUE L'OUTIL FONCTIONNE.

Écrans anti-infiltration en laine (fig. 1, 2)

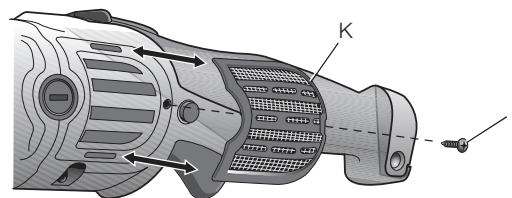
Les écrans anti-infiltration en laine (K) ont été conçus pour réduire la quantité de laine, poussière ou débris pouvant s'infiltrer dans le moteur au cours d'une utilisation normale. La fonction des écrans anti-infiltration est d'augmenter la durée de vie de l'appareil comparé à un appareil sans écran.

Chaque écran anti-infiltration peut être facilement retiré pour le nettoyer en retirant la vis de montage (L), puis en poussant l'écran vers l'extrémité de l'outil pour enfin le retirer.

Dans l'éventualité où les écrans anti-infiltration en laine seraient encrassés à cause de débris ou cire, ils peuvent être nettoyés à l'eau savonneuse avec une brosse douce. Nettoyez ces écrans dès qu'une accumulation est visible à l'extérieur.

Votre outil peut venir équipé d'un jeu d'écrans anti-infiltration en laine. Des écrans anti-infiltration en laine sont vendus séparément chez votre distributeur local ou dans les centres de service autorisés.

FIG. 2



Protection en caoutchouc souple du carter d'engrenage (fig. 1)

La protection en caoutchouc souple du carter d'engrenage (J) a été conçue pour éliminer toute éraflure que pourrait laisser le carter d'engrenage métallique sur les surfaces peintes ou polies.

La protection en caoutchouc souple du carter d'engrenage peut être retirée le cas échéant. Pour l'enlever, retirez les trois vis de fixation puis enlevez la protection du carter d'engrenage.

Votre outil peut venir équipé d'une protection en caoutchouc souple du carter d'engrenage. Des protections en caoutchouc souple du carter d'engrenage sont vendues séparément chez votre distributeur local ou dans les centres de service autorisés.

FONCTIONNEMENT

⚠ AVERTISSEMENT : pour réduire le risque de blessures corporelles graves, éteindre l'outil et le débrancher avant d'effectuer tout réglage ou d'enlever ou d'installer des accessoires. Avant de rebrancher l'outil, enfoncer et relâcher la gâchette pour s'assurer que l'outil est bien hors tension.

Des tampons à polir d'un diamètre de 15,2, 17,8 ou 22,9 cm (6, 7, ou 9 po) peuvent être utilisés sur les DWP849 et DWP849X.

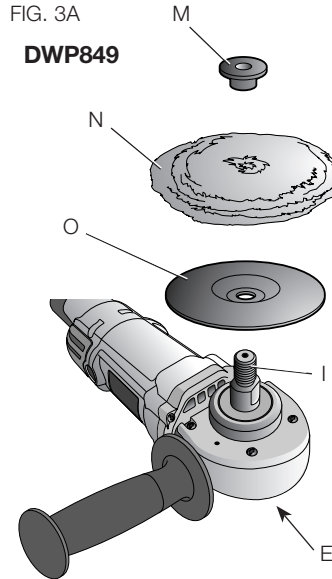
Insertion et retrait de tampons de polissage (fig. 3)

⚠ AVERTISSEMENT : pour réduire le risque de blessures corporelles graves, ne pas laisser tourner librement une partie lâche de la coiffe à polir ou ses ficelles. Bien les insérer sous la coiffe ou couper les extrémités des ficelles qui dépassent. Des ficelles lâches et en rotation peuvent s'enchevêtrer dans les doigts ou s'accrocher à la pièce.

REMARQUE : la DWP849 et la DWP849X peuvent utiliser l'un ou l'autre dispositif de tampon à polir décrit ci-après.

POUR RATTACHER UN TAMPON À POLIR AVEC UN TAMPON DE SOUTIEN EN CAOUTCHOUC (FIG. 3A)

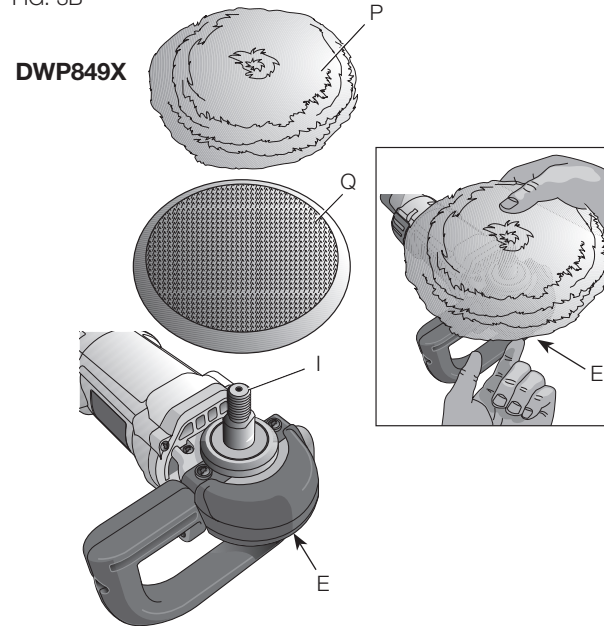
1. Pour installer le tampon (N), pousser le moyeu de la



rondelle de serrage (M) dans le trou, aussi loin que possible, au centre du tampon.

2. Insérer le trou hexagonal du tampon d'appui (O). Tout en retenant fermement les trois pièces ensemble, les enfiler sur la broche (I) de l'outil.
3. Enfoncer le bouton de verrouillage de la broche (E) en faisant tourner les tampons dans le sens horaire pour les visser complètement sur les filets de la broche.

FIG. 3B



POUR RATTACHER UN TAMPON À POLIR AVEC UN TAMPON DE SOUTIEN CROCHET ET BOUCLE (FIG. 3B)

1. Rattachez un tampon (P) crochet et boucle en mousse ou en laine au tampon de soutien crochet et boucle (Q), en faisant attention à bien centrer le tampon de soutien sur le tampon en mousse ou en laine.
2. Vissez le tampon de soutien (Q) sur la broche (I) en appuyant sur le bouton de blocage de l'arbre (E).

RETRAIT DES TAMPONS

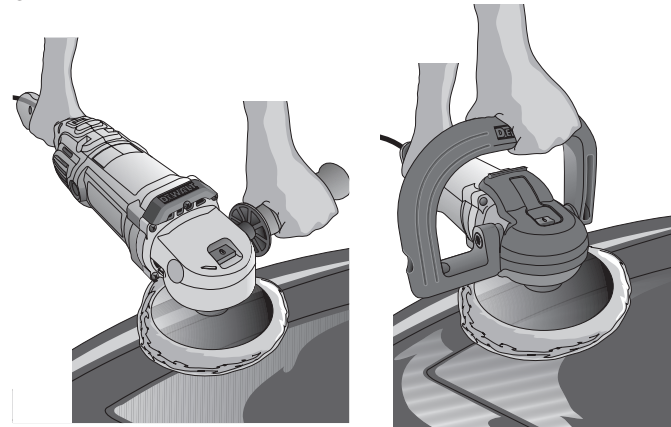
Pour retirer les tampons, les faire tourner à la main dans le sens opposé afin d'enclencher le bouton de verrouillage de la broche, puis les dévisser en sens antihoraire (filets normaux).

Polissage (fig. 4)

Les directives et suggestions suivantes ont pour but de familiariser les nouveaux utilisateurs au fonctionnement général de l'outil électrique de polissage. Chacun développera ses propres techniques afin de faciliter le travail et de l'accomplir plus rapidement en connaissant mieux l'outil.

- Prendre le plus grand soin lorsqu'on polit des objets pointus ou des angles aigus de la carrosserie. Il est essentiel d'exercer la pression appropriée pour polir les différentes sections de la carrosserie d'un véhicule. Ainsi, il faut exercer une légère pression sur l'outil lorsqu'on polit des arêtes tranchantes de la carrosserie ou les rebords des gouttières du capot.
- Puisqu'il existe différents types de produits de polissage, il est conseillé de nettoyer et de polir un coin plat du véhicule au préalable. À partir de cet essai, on peut alors déterminer la force à utiliser sur l'outil ou la puissance de nettoyage pour obtenir le lustre voulu.

FIG. 4



- Se rappeler que les différents produits ne procurent pas tous les mêmes résultats. Différentes marques réagiront différemment sur différents types de surfaces peintes. En outre, on utilise une polisseuse électrique avec le produit à polir correspondant qui donne des résultats complètement différents si on les compare au polissage manuel antérieur. Laver le véhicule avant de le polir. On enlève de la sorte toute trace de poussière, de sel et de crasse qui peut agir comme abrasif et abîmer ainsi la peinture. De plus, ces saletés bloqueront le tampon et il faudra le nettoyer plus souvent.
- Sans mettre l'outil en marche, attrapez les poignées de l'outil pour prendre l'outil en main (fig. 4). Éloignez l'outil de votre corps, puis appuyez sur la gâchette. Assurez-vous de tenir fermement l'outil par ses poignées puis utilisez-le librement sans forcer ou imposer de pression inutile. La poignée latérale sur l'outil peut facilement être changée de côté pour accommoder un gaucher ou d'un droitier.

REMARQUE : le frottement à haute vitesse de la coiffe à polir contre la surface du véhicule peut occasionner une accumulation de statique sur les sections métalliques de l'outil. On peut alors ressentir un léger choc électrique instantané lorsqu'on touche aux composants métalliques de l'outil et le choc sera un peu plus important si la teneur en humidité de l'air est basse. Ce phénomène n'est pas dangereux, mais il est conseillé de confier l'outil à un centre de réparation DEWALT pour vérifier s'il ne s'agit pas d'une défaillance électrique.

ENTRETIEN

⚠ AVERTISSEMENT : *pour réduire le risque de blessures corporelles graves, éteindre l'outil et le débrancher avant d'effectuer tout réglage ou d'enlever ou d'installer des accessoires. Avant de rebrancher l'outil, enfoncer et relâcher la gâchette pour s'assurer que l'outil est bien hors tension.*

Nettoyage

⚠ AVERTISSEMENT : *enlever les saletés et la poussière hors des événements au moyen d'air comprimé sec, au moins une fois par semaine. Porter une protection oculaire conforme à la norme ANSI Z87.1 (CAN/CSA Z94.3) et une protection des voies respiratoires conforme aux normes NIOSH/OSHA/MSHA au cours de cette tâche de nettoyage.*

⚠ AVERTISSEMENT : *ne jamais utiliser de solvants ni d'autres produits chimiques puissants pour nettoyer les pièces non métalliques de l'outil. Ces produits chimiques peuvent affaiblir les matériaux de plastique utilisés dans ces pièces. Utiliser un chiffon humecté uniquement d'eau et de savon doux. Ne jamais laisser de liquide pénétrer dans l'outil et n'immerger aucune partie de l'outil dans un liquide.*

Graissage

Les outils DEWALT sont correctement graissés en usine et sont prêts à l'emploi. Les outils doivent être régulièrement lubrifiés de nouveau après une période variant entre soixante jours et six mois selon l'utilisation. (Les outils utilisés constamment en production ou pour des travaux intensifs et les outils exposés à la chaleur peuvent exiger une lubrification plus fréquente.) Seul du personnel formé pour la réparation d'outillage électrique, tel que le personnel des centres de réparations DEWALT ou d'autres centres qualifiés, devrait effectuer cette lubrification.

Balais de moteur

Assurez-vous que l'outil est bien débranché avant d'inspecter les balais. Vérifiez régulièrement l'état des balais de charbon. Pour cela, dévissez les capuchons plastiques d'inspection des balais (situés de chaque côté du boîtier du moteur) de façon à pouvoir retirer les dispositifs ressort et balai de l'outil. Maintenez les balais propres et vérifiez qu'ils glissent librement dans leurs supports. Les balais de charbon comportent des symboles variés, et si les balais sont usés au niveau de la ligne la plus proche du ressort, il faut les changer.

Accessoires

⚠ AVERTISSEMENT : *puisque les accessoires autres que ceux offerts par DEWALT n'ont pas été testés avec ce produit, l'utilisation de ceux-ci avec l'outil pourrait s'avérer dangereuse. Pour réduire le risque de blessures, utiliser exclusivement les accessoires DEWALT recommandés avec ce produit.*

Les accessoires recommandés pour utilisation avec l'outil sont disponibles, à un coût supplémentaire, auprès du distributeur ou du centre de réparation autorisé de votre région. Pour toute demande d'assistance pour trouver un accessoire, communiquer avec DEWALT Industrial Tool Co., 701 East Joppa Road, Baltimore, MD 21286, États-Unis, composer le 1 800 433-9258 (1 800 4-DEWALT) ou visiter le site Web www.dewalt.com.

N'utiliser que des accessoires ayant une vitesse de fonctionnement maximum au moins aussi élevée que le « RÉGIME À VIDE » inscrit sur la plaque signalétique de l'outil. Cette mesure de précaution est valide pour tout accessoire sur n'importe quel outil.

- **Tampons de soutien en caoutchouc** : tampon de soutien en caoutchouc super flexible et à changement rapide de 17,8 cm (7 po) (inclus une rondelle de serrage)
- **Tampons de soutien crochet et boucle de 17,8 cm (7 po)**
- **Protection en caoutchouc souple du carter d'engrenage**
- **Écrans anti-infiltration en laine**
- **Poignée auxiliaire**
- **Poignée étrier**

Réparations

Pour assurer la SÉCURITÉ et la FIABILITÉ du produit, les réparations, l'entretien et les réglages (y compris l'inspection et le remplacement des balais) doivent être réalisés par un centre de réparation en usine DEWALT, un centre de réparation autorisé DEWALT ou par un personnel de réparation professionnel. Toujours utiliser des pièces de rechange identiques.

Garantie limitée de trois ans

DEWALT réparera, sans frais, tout produit défectueux causé par un défaut de matériel ou de fabrication pour une période de trois ans à compter de la date d'achat. La présente garantie ne couvre pas les pièces dont la défectuosité a été causée par une usure normale ou l'usage abusif de l'outil. Pour obtenir de plus amples renseignements sur les pièces ou les réparations couvertes par la présente garantie, visiter le site www.dewalt.com ou composer le 1 800 433-9258 (1 800 4-DEWALT). Cette garantie ne s'applique pas aux accessoires et ne vise pas les dommages causés par des réparations effectuées par un tiers. Cette garantie confère des droits légaux particuliers à l'acheteur, mais celui-ci pourrait aussi bénéficier d'autres droits variant d'un état ou d'une province à l'autre.

En plus de la présente garantie, les outils DEWALT sont couverts par notre :

CONTRAT D'ENTRETIEN GRATUIT D'UN AN

DEWALT entretiendra l'outil et remplacera les pièces usées au cours d'une utilisation normale et ce, gratuitement, pendant une période d'un an à compter de la date d'achat, et la

GARANTIE DE REMBOURSEMENT DE 90 JOURS

Si l'acheteur n'est pas entièrement satisfait, pour quelque raison que ce soit, du rendement de l'outil électrique, du laser ou de la cloueuse DEWALT, celui-ci peut le retourner, accompagné d'un reçu, dans les 90 jours à compter de la date d'achat, pour obtenir un remboursement intégral, sans aucun problème.

AMÉRIQUE LATINE : cette garantie ne s'applique aux produits vendus en Amérique latine. Pour ceux-ci, veuillez consulter les informations relatives à la garantie spécifique présente dans l'emballage, appeler l'entreprise locale ou consulter le site Web pour les informations relatives à cette garantie.

REPLACEMENT GRATUIT DE L'ÉTIQUETTE : si vos étiquettes d'avertissement deviennent illisibles ou sont manquantes, composez le 1 800 433-9258 (1 800 4-DEWALT) pour obtenir une étiquette de remplacement gratuite.

DWPXXX 7" (180mm) POLISHER	
SER. [REDACTED]	
⚠ WARNING	TO REDUCE THE RISK OF INJURY, USER MUST READ INSTRUCTION MANUAL. USE ONLY ACCESSORIES RATED AT LEAST EQUAL TO THE MAXIMUM SPEED MARKED ON THE TOOL. ALWAYS USE PROPER EYE AND RESPIRATORY PROTECTION.
⚠ ADVERTENCIA:	PARA EL MANEJO SEGURO LEA EL MANUAL DE INSTRUCCIONES. USE SOLAMENTE ACCESORIOS CLASIFICADOS AL MENOS PARA LA MÁXIMA VELOCIDAD MARCADA SOBRE LA HERRAMIENTA. SIEMPRE SE DEBERÁ LLEVAR LA PROTECCIÓN APROPIADA PARA LA VISTA Y PARA LAS VÍAS RESPIRATORIAS.
⚠ AVERTISSEMENT:	À TITRE PRÉVENTIF, LIRE LE GUIDE. UTILISER EXCLUSIVEMENT DES ACCESSOIRES DONT LA VITESSE NOMINALE EST ÉQUIVALENTE OU SUPÉRIEURE À CELLE RECOMMANDÉE SUR L'ÉTIQUETTE D'AVERTISSEMENT DE L'OUTIL. IL FAUT TOUJOURS PORTER DE L'ÉQUIPEMENT DE PROTECTION OCULAIRE ET RESPIRATOIRE APPROPRIÉ.
DEWALT INDUSTRIAL TOOL CO., BALTIMORE, MD 21286 USA FOR SERVICE INFORMATION, CALL 1-800-4-DEWALT www.DeWALT.com	

Definiciones: Normas de seguridad

Las siguientes definiciones describen el nivel de gravedad de cada palabra de señal. Lea el manual y preste atención a estos símbolos.

⚠ PELIGRO: Indica una situación de peligro inminente que, si no se evita, provocará **la muerte o lesiones graves**.

⚠ ADVERTENCIA: Indica una situación de peligro potencial que, si no se evita, **podría provocar la muerte o lesiones graves**.

⚠ ATENCIÓN: Indica una situación de peligro potencial que, si no se evita, **posiblemente provocaría lesiones leves o moderadas**.

AVISO: Se refiere a una práctica **no relacionada a lesiones corporales** que de no evitarse **puede** resultar en **daños a la propiedad**.

SI TIENE ALGUNA DUDA O ALGÚN COMENTARIO SOBRE ÉSTA U OTRA HERRAMIENTA DEWALT, LLÁMENOS AL NÚMERO GRATUITO: 1-800-4-DEWALT (1-800-433-9258).



ADVERTENCIA: Para reducir el riesgo de lesiones, lea el manual de instrucciones.

Advertencias generales de seguridad para herramientas eléctricas



ADVERTENCIA! Lea todas las advertencias de seguridad e instrucciones. El incumplimiento de las advertencias e instrucciones puede provocar descargas eléctricas, incendios o lesiones graves.

CONSERVE TODAS LAS ADVERTENCIAS E INSTRUCCIONES PARA FUTURAS CONSULTAS

El término “herramienta eléctrica” incluido en las advertencias hace referencia a las herramientas eléctricas operadas con corriente (con cable eléctrico) o a las herramientas eléctricas operadas con baterías (inalámbricas).

1) SEGURIDAD EN EL ÁREA DE TRABAJO

- Mantenga el área de trabajo limpia y bien iluminada.** Las áreas abarrotadas y oscuras propician accidentes.
- No opere las herramientas eléctricas en atmósferas explosivas, como ambientes donde haya polvo, gases o líquidos inflamables.** Las herramientas eléctricas originan chispas que pueden encender el polvo o los vapores.
- Mantenga alejados a los niños y a los espectadores de la herramienta eléctrica en funcionamiento.** Las distracciones pueden provocar la pérdida de control.

2) SEGURIDAD ELÉCTRICA

- Los enchufes de la herramienta eléctrica deben adaptarse al tomacorriente. Nunca modifique el enchufe de ninguna manera. No utilice ningún enchufe adaptador con herramientas eléctricas con conexión a tierra.** Los enchufes no modificados y que se adaptan a los tomacorrientes reducirán el riesgo de descarga eléctrica.
- Evite el contacto corporal con superficies con descargas a tierra como, por ejemplo, tuberías, radiadores, cocinas eléctricas y refrigeradores.** Existe mayor riesgo de descarga eléctrica si su cuerpo está puesto a tierra.
- No exponga las herramientas eléctricas a la lluvia o a condiciones de humedad.** Si entra agua a una herramienta eléctrica, aumentará el riesgo de descarga eléctrica.

- d) **No maltrate el cable. Nunca utilice el cable para transportar, tirar o desenchufar la herramienta eléctrica. Mantenga el cable alejado del calor, el aceite, los bordes filosos y las piezas móviles.** Los cables dañados o enredados aumentan el riesgo de descarga eléctrica.
- e) **Al operar una herramienta eléctrica en el exterior, utilice un cable prolongador adecuado para tal uso.** Utilice un cable adecuado para uso en exteriores a fin de reducir el riesgo de descarga eléctrica.
- f) **Si el uso de una herramienta eléctrica en un lugar húmedo es imposible de evitar, utilice un suministro protegido con un interruptor de circuito por falla a tierra (GFCI).** El uso de un GFCI reduce el riesgo de descargas eléctricas.

3) SEGURIDAD PERSONAL

- a) **Permanezca alerta, controle lo que está haciendo y utilice el sentido común cuando emplee una herramienta eléctrica. No utilice una herramienta eléctrica si está cansado o bajo el efecto de drogas, alcohol o medicamentos.** Un momento de descuido mientras se opera una herramienta eléctrica puede provocar lesiones personales graves.
- b) **Utilice equipos de protección personal. Siempre utilice protección para los ojos.** En las condiciones adecuadas, el uso de equipos de protección, como máscaras para polvo, calzado de seguridad antideslizante, cascos o protección auditiva, reducirá las lesiones personales.
- c) **Evite el encendido por accidente. Asegúrese de que el interruptor esté en la posición de apagado antes de conectarlo a la fuente de energía o paquete de baterías, o antes de levantar o transportar la herramienta.** Transportar herramientas eléctricas con el dedo apoyado en el interruptor

o enchufar herramientas eléctricas con el interruptor en la posición de encendido puede propiciar accidentes.

- d) **Retire la clavija de ajuste o la llave de tuercas antes de encender la herramienta eléctrica.** Una llave de tuercas o una clavija de ajuste que quede conectada a una pieza giratoria de la herramienta eléctrica puede provocar lesiones personales.
- e) **No se estire. Conserve el equilibrio y párese adecuadamente en todo momento.** Esto permite un mejor control de la herramienta eléctrica en situaciones inesperadas.
- f) **Use la vestimenta adecuada. No use ropas holgadas ni joyas. Mantenga el cabello, la ropa y los guantes alejados de las piezas en movimiento.** Las ropas holgadas, las joyas o el cabello largo pueden quedar atrapados en las piezas en movimiento.
- g) **Si se suministran dispositivos para la conexión de accesorios con fines de recolección y extracción de polvo, asegúrese de que estén conectados y que se utilicen correctamente.** El uso de dispositivos de recolección de polvo puede reducir los peligros relacionados con el polvo.

4) USO Y MANTENIMIENTO DE LA HERRAMIENTA ELÉCTRICA

- a) **No fuerce la herramienta eléctrica. Utilice la herramienta eléctrica correcta para el trabajo que realizará.** Si se la utiliza a la velocidad para la que fue diseñada, la herramienta eléctrica correcta permite trabajar mejor y de manera más segura.
- b) **No utilice la herramienta eléctrica si no puede encenderla o apagarla con el interruptor.** Toda herramienta eléctrica que no pueda ser controlada mediante el interruptor es peligrosa y debe repararse.
- c) **Desconecte el enchufe de la fuente de energía o el paquete de baterías de la herramienta eléctrica antes de realizar ajustes, cambiar accesorios o almacenar**

la herramienta eléctrica. Estas medidas de seguridad preventivas reducen el riesgo de encender la herramienta eléctrica en forma accidental.

- d) **Guarde la herramienta eléctrica que no esté en uso fuera del alcance de los niños y no permita que otras personas no familiarizadas con ella o con estas instrucciones operen la herramienta.** Las herramientas eléctricas son peligrosas si son operadas por usuarios no capacitados.
- e) **Realice el mantenimiento de las herramientas eléctricas. Revise que no haya piezas en movimiento mal alineadas o trabadas, piezas rotas o cualquier otra situación que pueda afectar el funcionamiento de la herramienta eléctrica. Si encuentra daños, haga reparar la herramienta eléctrica antes de utilizarla.** Se producen muchos accidentes a causa de las herramientas eléctricas que carecen de un mantenimiento adecuado.
- f) **Mantenga las herramientas de corte afiladas y limpias.** Las herramientas de corte con mantenimiento adecuado y con los bordes de corte afilados son menos propensas a trabarse y son más fáciles de controlar.
- g) **Utilice la herramienta eléctrica, los accesorios y las brocas de la herramienta, etc. de acuerdo con estas instrucciones y teniendo en cuenta las condiciones de trabajo y el trabajo que debe realizarse.** El uso de la herramienta eléctrica para operaciones diferentes de aquéllas para las que fue diseñada podría originar una situación peligrosa.

5) MANTENIMIENTO

- a) **Solicite a una persona calificada en reparaciones que realice el mantenimiento de su herramienta eléctrica y que sólo utilice piezas de repuesto idénticas.** Esto garantizará la seguridad de la herramienta eléctrica.

Instrucciones de seguridad para todas las operaciones

- a) **Esta herramienta está destinada a funcionar como pulidora. Lea todas las advertencias de seguridad, instrucciones, ilustraciones y especificaciones que acompañan a esta herramienta eléctrica.** El no ceñirse a las instrucciones siguientes puede ser causa de choque eléctrico, incendio y/o lesiones graves.
- b) **Con esta herramienta eléctrica no se recomienda llevar a cabo operaciones tales como esmerilado, lijado, cepillado de alambre o corte.** Las operaciones para las que la herramienta eléctrica no estaba prevista pueden presentar un riesgo y causar lesiones corporales.
- c) **No utilice accesorios que no estén específicamente diseñados y recomendados por el fabricante de la herramienta.** El hecho de que el accesorio se pueda adosar a su herramienta eléctrica no garantiza una operación segura.
- d) **La velocidad nominal del accesorio debe ser al menos igual a la velocidad máxima marcada en la herramienta eléctrica.** Los accesorios que operen más rápido que su velocidad nominal pueden romperse y salir lanzados.
- e) **El diámetro exterior y el grosor de su accesorio deben estar dentro de la clasificación de capacidad de su herramienta eléctrica.** Los accesorios de tamaño inadecuado no pueden ser adecuadamente controlados o protegidos.
- f) **El montaje de rosca de los accesorios debe corresponderse con la rosca del eje de la esmeriladora. Para los accesorios montados con bridas, el orificio del eje del accesorio debe ajustarse al diámetro de referencia de la brida.** Los accesorios que no se corresponden con las piezas de montaje de la herramienta eléctrica se desequilibrarán, vibrarán excesivamente y pueden causar pérdida de control.

- g) **No utilice accesorios dañados. Antes de cada uso, inspeccione los accesorios tales como los discos abrasivos en busca de astillas y grietas, la almohadilla de respaldo en busca de grietas, roturas o desgaste excesivo, y el cepillo de alambre en busca de alambres sueltos o agrietados. Si la herramienta eléctrica o los accesorios se han caído, compruebe si hay daños o instale un accesorio en buen estado. Después de la inspección y la instalación de un accesorio, colóquense usted y las demás personas alejadas del plano del accesorio giratorio; opere la herramienta eléctrica a la velocidad máxima sin carga durante un minuto.** Normalmente los accesorios dañados se romperán durante este período de prueba.
- h) **Utilice equipo de protección personal. Dependiendo de la aplicación, utilice careta, lentes de seguridad o gafas de seguridad. Según resulte apropiado, utilice mascarilla antipolvo, protectores auditivos, guantes y delantal de trabajo capaz de detener pequeños fragmentos abrasivos o de la pieza de trabajo. La protección ocular debe ser capaz de detener escombros proyectados generados por las diversas operaciones.** La mascarilla antipolvo o el respirador debe ser capaz de filtrar las partículas generadas por su operación. La exposición prolongada a ruidos de alta intensidad puede causar pérdida auditiva.
- i) **Mantenga a los espectadores a una distancia segura del área de trabajo. Cualquiera que entre al área de trabajo debe utilizar equipo de protección personal.** Los fragmentos de la pieza de trabajo o de un accesorio roto pueden salir volando y causar daños más allá del área inmediata de la operación.
- j) **Sostenga la herramienta eléctrica solamente de sus superficies de empuñadura aisladas cuando realice una operación en la cual el accesorio de corte pudiera entrar en contacto con alambrado oculto o con su propio cable.** Si el accesorio de corte entra en contacto con un cable "vivo" puede hacer que las partes metálicas de la herramienta eléctrica queden "vivas" y causar una descarga eléctrica al operador.
- k) **Coloque el cordón lejos del accesorio giratorio.** Si pierde el control, el cordón puede ser cortado o engancharse, y su mano o brazo pueden ser halados hacia el accesorio giratorio.
- l) **Nunca suelte la herramienta eléctrica hasta que el accesorio se haya detenido totalmente.** El accesorio en rotación puede llegar a tocar la superficie y halar la herramienta eléctrica lejos de su control.
- m) **No haga funcionar la herramienta eléctrica mientras la lleva a su lado.** El contacto accidental con el accesorio en rotación pudiera enganchar su ropa, tirando del accesorio hacia su cuerpo.
- n) **Limpie periódicamente las rejillas de aire de la herramienta eléctrica.** El ventilador del motor aspirará polvo hacia el interior de la carcasa, y la acumulación excesiva de metal en polvo puede provocar una descarga eléctrica.
- o) **No utilice la herramienta eléctrica en la cercanía de materiales inflamables.** Las chispas pueden prender fuego a estos materiales.
- p) **No utilice accesorios que requieran ser refrigerados con líquido.** El uso de agua u otros refrigerantes líquidos puede provocar una descarga eléctrica.

Instrucciones adicionales de seguridad para todas las operaciones

CONTRAGOLPE Y ADVERTENCIAS RELACIONADAS

El contragolpe es una reacción repentina ante el atasco o enganchado de un disco, almohadilla de respaldo, cepillo o cualquier otro accesorio en rotación. El pellizcamiento o enganche causa un rápido estancamiento del accesorio en rotación, lo que a su vez hace que la herramienta eléctrica fuera de control se vea forzada en la dirección opuesta a la rotación del accesorio en el punto de la unión.

Por ejemplo, si un disco abrasivo es pellizcado o se atora en la pieza de trabajo, el borde del disco que está entrando en el punto de pellizcamiento puede penetrar en la superficie del material, causando que el disco se salga o retroceda. El disco puede saltar ya sea hacia o lejos del operador, dependiendo de la dirección del movimiento del disco en el punto de pellizco. Los discos abrasivos también se pueden romper en estas condiciones.

El contragolpe es el resultado del mal uso de la herramienta y/o de procedimientos o condiciones operativas, y se puede evitar tomando las precauciones adecuadas que se indican a continuación:

- Mantenga un firme control sobre la herramienta eléctrica, y posicione su cuerpo y brazo de tal manera que le permitan resistir las fuerzas de contragolpe. Siempre use la agarradera auxiliar, si existe, para un control máximo sobre el contragolpe o la reacción de torsión durante el arranque.** Si se toman las precauciones adecuadas el operador puede controlar las fuerzas de reacción del esfuerzo de torsión o de contragolpe.
- Nunca coloque la mano cerca del accesorio giratorio.** El accesorio puede rebotar sobre su mano.
- No coloque su cuerpo en la zona a donde se desplazaría la herramienta eléctrica si se produce un contragolpe.** El

contragolpe impulsará la herramienta en dirección opuesta al movimiento del disco en el punto de enganche.

- Tenga mucho cuidado al trabajar en esquinas, bordes afilados, etc. Evite que el accesorio rebote y se atasque.** Las esquinas, los bordes afilados o el rebote tienden a atascar el accesorio giratorio, y a causar pérdida de control o contragolpe.
- No adose una hoja para tallado de madera con sierra de cadena, ni una hoja de sierra dentada.** Estas hojas son propensas al contragolpe y a la pérdida de control.

Advertencias de seguridad específicas para operaciones de pulido

- No permita que ninguna parte suelta de la cubierta de pulir o de sus cordones de sujeción gire libremente. Recoja o recorte cualquier cordón de sujeción suelto.** Los cordones de sujeción sueltos o en rotación pueden engancharse en sus dedos o en la pieza de trabajo.

Instrucciones de seguridad adicionales específicas para pulidoras

- Siempre utilice protección para los ojos.** Todos los usuarios y espectadores deben utilizar protección para los ojos conforme con las normas ANSI Z87.1.
- Limpie su herramienta con frecuencia, especialmente después de un uso intensivo.** A menudo se acumulan sobre las superficies interiores polvo y suciedad que contienen partículas metálicas, que pueden provocar riesgo de descarga eléctrica.
- No haga funcionar esta herramienta durante períodos prolongados.** La vibración que produce el funcionamiento de esta herramienta puede provocar lesiones permanentes en dedos, manos y brazos. Use guantes para proveer amortiguación adicional, tome descansos frecuentes y limite el tiempo diario de uso.

- **Los orificios de ventilación suelen cubrir piezas en movimiento, por lo que también se deben evitar.** La ropa suelta, las joyas y el pelo largo pueden quedar atrapados en las piezas móviles.
- **Para garantizar la seguridad, un cable prolongador debe tener un tamaño de cable adecuado (AWG o Calibre de conductor de Estados Unidos).** Cuanto más pequeño sea el número de calibre del conductor, mayor será la capacidad del cable; es decir, un calibre 16 tiene más capacidad que un calibre 18. Un cable de menor capacidad provocará una disminución en el voltaje de la línea, lo cual producirá una pérdida de potencia y sobrecalentamiento. Cuando se utiliza más de una prolongación para lograr la longitud total, asegúrese de que cada prolongación tenga la medida mínima del conductor. La siguiente tabla muestra la medida correcta que debe utilizar según la longitud del cable y la capacidad nominal en amperios indicada en la placa. En caso de duda, utilice el calibre inmediatamente superior. Cuanto menor sea el número de calibre, más grueso será el cable.

Calibre mínimo para cables de alimentación						
Amperaje		Voltios	Largo total del cable en metros (en pies)			
		120 V	7,6 (25)	15,2 (50)	30,5 (100)	45,7 (150)
		240 V	15,2 (50)	30,5 (100)	61,0 (200)	91,4 (300)
Desde	Hasta	AWG				
0	6		18	16	16	14
6	10		18	16	14	12
10	12		16	16	14	12
12	16		14	12	No recomendado	

⚠ **ADVERTENCIA:** Use **SIEMPRE** lentes de seguridad. Los anteojos de uso diario **NO** son lentes de seguridad. Utilice también máscaras faciales o para polvo si el corte produce polvillo. **UTILICE SIEMPRE EQUIPOS DE SEGURIDAD CERTIFICADOS:**

- protección para los ojos ANSI Z87.1 (CAN/CSA Z94.3),

- protección auditiva ANSI S12.6 (S3.19),
- protección respiratoria según las normas NIOSH/OSHA/MSHA.

⚠ **ADVERTENCIA:** Durante el uso, use siempre protección auditiva adecuada que cumpla con la norma ANSI S12.6 (S3.19). Bajo ciertas circunstancias y según el período de uso, el ruido producido por este producto puede contribuir a la pérdida de audición.

⚠ **ADVERTENCIA:** Algunas partículas de polvo generadas al lijar, serrar, esmerilar y taladrar con herramientas eléctricas, así como al realizar otras actividades de construcción, contienen químicos que el Estado de California sabe que pueden producir cáncer, defectos congénitos u otras afecciones reproductivas. Ejemplos de estos químicos son:

- plomo de algunas pinturas en base a plomo,
- polvo de sílice proveniente de ladrillos y cemento y otros productos de albañilería, y
- arsénico y cromo provenientes de madera tratada químicamente.

El riesgo derivado de estas exposiciones varía según la frecuencia con la que se realice este tipo de trabajo. Para reducir la exposición a estos productos químicos, se recomienda trabajar en áreas bien ventiladas y usar equipos de seguridad aprobados, como las máscaras para polvo especialmente diseñadas para filtrar las partículas microscópicas.

- **Evite el contacto prolongado con las partículas de polvo originadas al lijar, aserrar, esmerilar, taladrar y realizar demás actividades de la construcción. Use indumentaria protectora y lave las áreas expuestas con agua y jabón.** Evite que el polvo entre en la boca y en los ojos o se deposite en la piel, para impedir la absorción de productos químicos nocivos.

⚠ **ADVERTENCIA:** El uso de esta herramienta puede generar o dispersar partículas de polvo, que pueden causar lesiones respiratorias

permanentes y graves u otras lesiones. Use siempre protección respiratoria apropiada para la exposición al polvo aprobada por el Instituto Nacional de Salud y Seguridad Ocupacional de EE.UU. y la Administración de Salud y Seguridad Ocupacional de EE.UU. (NIOSH y OSHA respectivamente, por sus siglas en inglés). Aleje la cara y el cuerpo del contacto con las partículas.

⚠ ATENCIÓN: Tenga mucho cuidado cuando trabaje en una esquina porque la pulidora puede moverse repentina y bruscamente cuando el disco u otro accesorio haga contacto con una superficie secundaria o el borde de una superficie.

- La etiqueta de su herramienta puede incluir los siguientes símbolos.

Los símbolos y sus definiciones son los siguientes:

V.....voltios	A..... amperios
Hz.....hertz	W..... vatios
minminutos	~ o AC corriente alterna
—=— o DC....corriente directa	≈ o AC/DC... corriente alterna o directa
⚠.....Construcción de Clase I (tierra)	n..... velocidad nominal
□.....Construcción de Clase II (doble aislamiento)	n _o velocidad sin carga
.../minpor minuto	⊕ terminal de conexión a tierra
IPM.....impactos por minuto	⚠..... símbolo de advertencia de seguridad
sfpmpies de superficie por minuto	
RPM.....revoluciones por minuto	
BPM.....golpes por minuto	
SPMpasadas por minuto	

CONSERVE ESTAS INSTRUCCIONES

Motor

Asegúrese de que la fuente de energía concuerde con lo que se indica en la placa. Un descenso en el voltaje de más del 10% producirá una pérdida de potencia y sobrecalentamiento. Todas las herramientas DEWALT están probadas en fábrica; si esta herramienta no funciona, verifique el suministro de energía.

COMPONENTES (Fig. 1)

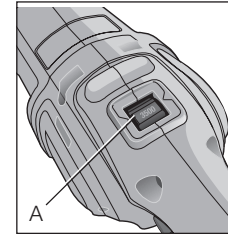
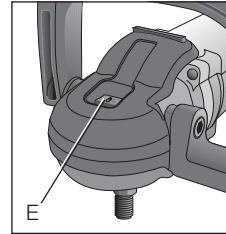
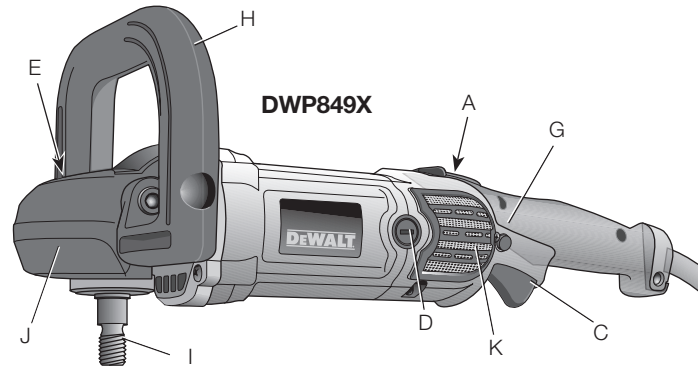
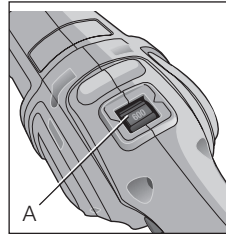
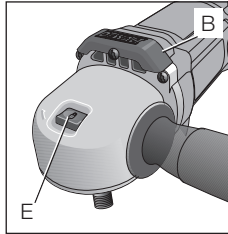
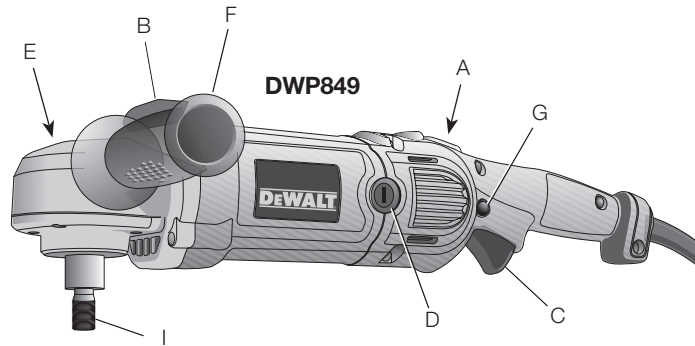
⚠ ADVERTENCIA: Nunca modifique la herramienta eléctrica ni ninguna pieza de ésta. Puede ocasionar un daño o una lesión personal.

- | | |
|---|--|
| A. Selector de control de velocidad | G. Botón de bloqueo del gatillo |
| B. Soporte abullonado de la herramienta (sólo DWP849) | H. Agarradera en forma de asa |
| C. Interruptor de gatillo de velocidad variable | I. Husillo |
| D. Tapa de inspección de cepillos | J. Cubierta de la caja del engranaje de goma suave |
| E. Botón de bloqueo del eje | K. Protector contra ingestión de lana |
| F. Mango auxiliar | |

USO DEBIDO

Las pulidoras DWP849 y DWP849X para trabajo pesado están diseñadas para pulir metal pintado o sin terminar, fibra de vidrio y superficies compuestas en aplicaciones profesionales. Los ejemplos más comunes de uso incluyen, pero no se limitan a: limpieza y corrección de acabados de automóviles / vehículos marinos / vehículos recreativos / motocicletas, construcción y reparación de botes, y acabados de metal o de hormigón.

FIG. 1



No utilice la herramienta en presencia de líquidos o gases inflamables. No permita que los niños toquen la herramienta. Si el operador no tiene experiencia operando esta herramienta, su uso deberá ser supervisado.

Agarradera auxiliar (Fig. 1)

Una agarradera auxiliar (F) es provista junto con la herramienta y puede ser instalada a cualquier lado de la caja del engranaje. Esta agarradera debería ser utilizada en todo momento para mantener la herramienta bajo control.

Junto con el DWP849X también se suministra una agarradera en forma de asa (H), la cual puede ser utilizada en vez de la agarradera auxiliar.

Interruptor de gatillo de velocidad variable (Fig. 1)

Estas herramientas están equipadas con un interruptor de gatillo de velocidad variable que permite controlar la velocidad desde 0 a

3 500 RPM. Para encender la herramienta, oprima el interruptor de gatillo (C) indicado en la Figura 1 hasta que la herramienta comience a funcionar. Mientras más presiona el interruptor de gatillo, más rápido funcionará la herramienta. Para apagar la herramienta, libere el interruptor de gatillo.

Utilice velocidades más lentas para aplicar ceras y pulimentos líquidos y velocidades más rápidas para desprender líquido que se ha secado. Utilice la mayor velocidad (interruptor de gatillo oprimido completamente) para pulir el automóvil a un brillo final.

Se puede bloquear la herramienta encendida para utilización continua oprimiendo el interruptor de gatillo completamente y oprimiendo el botón de bloqueo (G) indicado en la Figura 1. Sostenga el botón de bloqueo oprimido mientras suelta lentamente el interruptor de gatillo. La herramienta continuará en funcionamiento. Para apagar la herramienta cuando está en una posición de bloqueo, oprima y libere el interruptor de gatillo una vez. No desenchufe la herramienta mientras el interruptor se encuentra en una condición de bloqueo. Asegúrese de que la herramienta no se encuentra bloqueada en encendido cuando la conecta.

El interruptor de gatillo de velocidad variable (C) posee una función de liberación sin voltaje. En el caso de un corte de luz u otro apagado imprevisto, se debe realizar el ciclo del interruptor de gatillo (oprimir el interruptor de gatillo, soltarlo, luego oprimirlo de nuevo) para reiniciar la herramienta. No desenchufe la herramienta con el interruptor de gatillo en la posición de bloqueo. Asegúrese siempre de que la herramienta no esté bloqueada antes de enchufarla. Si la herramienta se conecta de nuevo con el interruptor en la posición de bloqueo en la posición de encendido, la herramienta no operará hasta que se realice el ciclo del interruptor de gatillo (C), como se describe anteriormente.

NOTA: El interruptor de gatillo solamente puede ser bloqueada en la posición de encendido cuando la herramienta opera al máximo de RPMs fijadas por la rueda de control de velocidad (A).

Selector de control de velocidad (Fig. 1)

Se puede cambiar la velocidad máxima de la herramienta girando el selector de control de velocidad (A) al ajuste deseado. El selector incorpora retenes para prevenir el movimiento involuntario del selector y para facilitar la selección de velocidades. Para mayor versatilidad, se puede bloquear el interruptor en su posición de encendido completa y cambiar la velocidad de la herramienta sólo utilizando el selector de control de velocidad (A).

El control electrónico de velocidad no sólo le permite seleccionar la velocidad indicada para la tarea, sino también ayuda a mantener la velocidad mientras carga la herramienta al presionar. Esta característica, junto con el interruptor de velocidad variable, hacen que esta herramienta sea muy valiosa.

Se puede ajustar el selector de control de velocidad (A) a cualquier velocidad entre 600 y 3 500 RPM y entonces el interruptor de velocidad variable controlará la velocidad de la herramienta de cero al ajuste del selector. Por ejemplo: un ajuste del selector de control de 2 200 RPM permitirá al interruptor de velocidad variable hacer funcionar la herramienta entre 0 y 2 200 RPM, según la presión que ejerza sobre el gatillo. Un ajuste de selector de 600 RPM permitirá al gatillo hacer funcionar la herramienta desde 0 RPM a 600 RPM.

La característica de control electrónico de velocidad entra en efecto siempre que se ha oprimido el interruptor de gatillo completamente y la herramienta se encuentre funcionando a la velocidad seleccionada determinada por el ajuste del selector de control. A medida que carga la herramienta aplicando presión en la superficie de trabajo, (con el interruptor de gatillo oprimido completamente) el circuito electrónico dentro de la herramienta compensará la carga y mantendrá la velocidad seleccionada. Si la velocidad seleccionada por el selector de control es de 2 200 RPM, como en el ejemplo indicado más arriba, la herramienta mantendrá 2 200 RPM, a medida que se aplica presión.

Es importante recordar dos factores sobre control electrónico de velocidad:

1. El control electrónico de velocidad funciona solamente cuando se encuentra oprimido completamente el interruptor de gatillo (C).
2. El efecto del control electrónico de velocidad es mucho más fácil de observar a ajustes más reducidos de velocidad (2 600 RPM e inferiores), que a velocidades más altas. A medida que la herramienta alcanza las 3 000 RPM, el efecto es considerablemente menos dramático.

Tenga en cuenta que con una pulidora convencional corriendo a una velocidad sin carga típica de 2 400 RPM, la herramienta disminuye a cerca de 2 000 RPM bajo una carga de pulido. Su DWP849 ó DWP894X continuará funcionando a 2 400 RPM (o a cualquier velocidad que usted seleccione con la rueda de control) a medida que se aplica una carga. Dado que no se reduce, la velocidad puede ser mayor de lo que está acostumbrado, por lo que se deben ser observar algunas precauciones especiales hasta que logre “sentir” su pulidora. Si considera que la velocidad es demasiado elevada, puede, por supuesto, desacelerar la herramienta ya sea con el interruptor de gatillo o con la rueda de control.

Botón de bloqueo del eje (Fig. 1)

⚠ ADVERTENCIA: Para reducir el riesgo de lesiones personales graves, apague la herramienta y desconéctela de la fuente de alimentación antes de realizar ajustes o de retirar/installar cualquier dispositivo o accesorio. Antes de volver a conectar la herramienta, oprima y libere el interruptor de gatillo para asegurarse de que la herramienta esté apagada.

Para impedir que el eje de la herramienta gire mientras instala o desmonta accesorios, se ha dispuesto un botón de bloqueo del eje (E) en el cabezal de engranes de la herramienta. Para bloquear el eje, presione y mantenga presionado el botón de bloqueo. NUNCA

OPRIMA EL BOTÓN DE BLOQUEO DEL EJE MIENTRAS LA HERRAMIENTA ESTÉ EN FUNCIONAMIENTO O EN MARCHA POR INERCIA.

Protectores contra ingestión de lana (Fig. 1, 2)

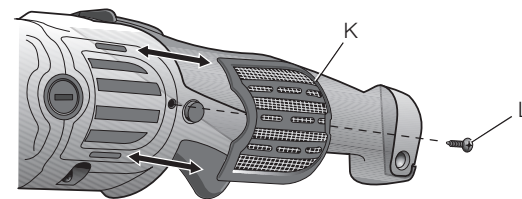
Los protectores contra ingestión de lana (K) están diseñados para reducir la cantidad de lana, polvo y desechos que el motor ingiere durante la utilización normal. El objetivo de los protectores contra ingestión es el mejorar la durabilidad en comparación con una unidad sin los protectores contra ingestión.

Cada protector contra ingestión se puede quitar fácilmente para propósitos de limpieza, quitando el tornillo de montaje (L), deslizando a continuación el protector de nuevo hacia el extremo del gatillo de la herramienta y luego levantándolo.

Los protectores contra ingestión de lana se pueden limpiar con agua y jabón y un cepillo de cerdas suaves en caso de que se tapen con el pulimento y los desechos. Limpie los protectores tan pronto detecte acumulación en la parte exterior.

Su herramienta puede estar provista con un conjunto de protectores contra ingestión de lana. Los protectores contra ingestión de lana están disponibles con un cargo adicional en su distribuidor local o en el centro de servicio autorizado.

FIG. 2



Cubierta de la caja del engranaje de goma suave (Fig. 1)

La cubierta de la caja del engranaje de goma suave (J) está diseñada para evitar que la caja metálica del engranaje deje marcas sobre las superficies pintadas o pulidas.

Se puede quitar la cubierta de la caja del engranaje de goma suave, si así se requiere. Para quitar la tapa, retire los tres tornillos de montaje y levante la cubierta sobre la caja del engranaje.

Su herramienta puede estar provista de una cubierta de la caja del engranaje de goma suave. La cubierta de la caja del engranaje de goma suave está disponible con un cargo adicional en su distribuidor local o en el centro de servicio autorizado.

OPERACIÓN

⚠ ADVERTENCIA: Para reducir el riesgo de lesiones personales graves, apague la herramienta y desconéctela de la fuente de alimentación antes de realizar ajustes o de retirar/instalar cualquier dispositivo o accesorio. Antes de volver a conectar la herramienta, oprima y libere el interruptor de gatillo para asegurarse de que la herramienta esté apagada.

Para el DWP849 y DWP849X se pueden utilizar almohadillas de pulido con un diámetro de 15,2, 17,8 ó 22,9 cm (6, 7 ó 9 pulg.).

Colocación y remoción de las almohadillas de pulido (Fig. 3)

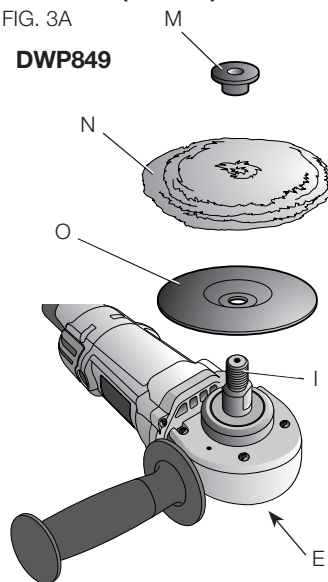
⚠ ADVERTENCIA: para reducir el riesgo de lesión personal grave, no permita que ninguna parte desprendida de la capucha pulidora ni sus correas de sujeción giren libremente. Oculte o corte cualquier correa de sujeción desprendida. Las correas de sujeción desprendidas y girando podrían atrapar sus dedos o engancharse en la pieza de trabajo.

NOTA: Tanto el DWP849 como el DWP849X pueden utilizar cualquier tipo de almohadilla de pulido que se describe a continuación.

PARA ADOSAR ALMOHADILLA DE PULIDO CON ALMOHADILLA DE RESPALDO DE GOMA (FIG. 3A)

1. Para colocar una almohadilla (N), oprima completamente el centro de la arandela de sujeción (M) por el agujero ubicado en el centro de la almohadilla de pulido.
2. Sujete el agujero hexagonal en la almohadilla de respaldo (O). Mientras sujeta las tres piezas con firmeza, coloque el montaje en el eje (I) de la herramienta.
3. Mantenga oprimido el botón de bloqueo del eje (E) mientras gira las almohadillas en sentido de las agujas del reloj para enroscarlas completamente en el eje.

FIG. 3A



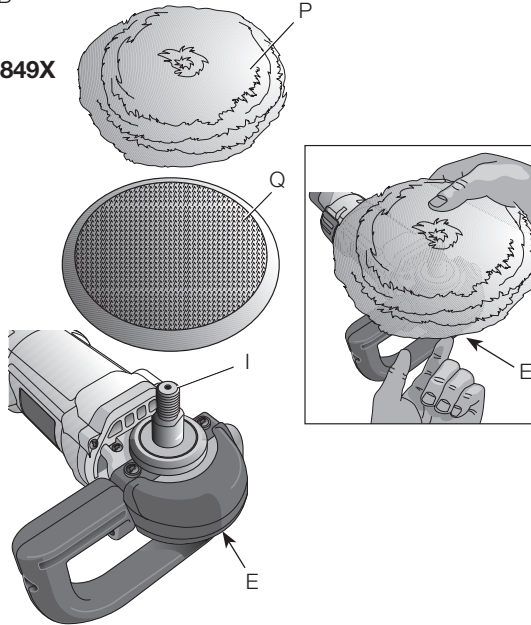
PARA ADOSAR LA ALMOHADILLA DE PULIDO A LA ALMOHADILLA DE RESPALDO DE GANCHO Y BUCLE (FIG. 3B)

1. Adose la almohadilla de espuma o lana con respaldo de gancho y bucle (P) a la almohadilla de respaldo de gancho y bucle (Q), teniendo cuidado de centrar la almohadilla de respaldo con la almohadilla de espuma o lana.

2. Atornille la almohadilla de respaldo (Q) al husillo (I) mientras oprime el botón de bloqueo del husillo (E).

FIG. 3B

DWP849X



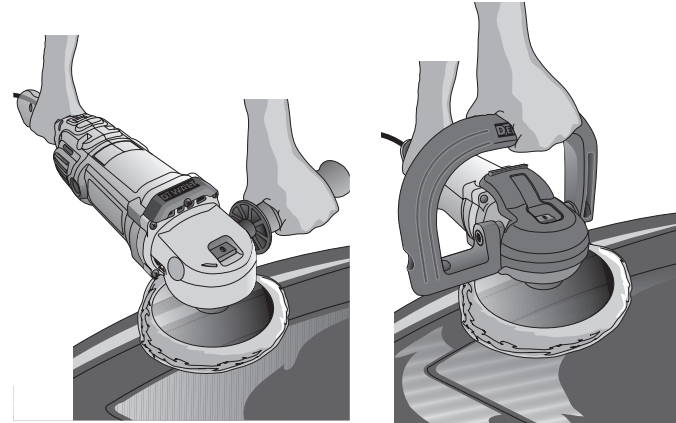
PARA QUITAR LAS ALMOHADILLAS

Gírelas manualmente en la dirección opuesta de giro normal para permitir que el botón de bloqueo engrane el eje, luego destornille las almohadillas en dirección normal para la rosca de mano derecha.

Pulido (Fig. 4)

Estas instrucciones y sugerencias pretenden familiarizar a los nuevos operadores en la operación general del pulido eléctrico. Usted desarrollará sus propias técnicas las cuales facilitarán y agilizarán el trabajo a medida que aprende el pulido eléctrico.

FIG. 4



- Debe aplicar sumo cuidado cuando pule con una pulidora eléctrica alrededor de objetos y contornos afilados del chasis del automóvil. Es muy importante aplicar la presión adecuada mientras pule las diversas secciones del chasis del automóvil. Por ejemplo, se deberá aplicar presión leve cuando al pulir sobre bordes afilados de paneles del chasis, o sobre bordes en la canaleta junto a la parte superior.
- Ya que no todas las personas utilizan el mismo tipo de pulidora eléctrica, recomendamos que limpie y pula una sección de prueba

en un área plana del automóvil primero. A partir de esta sección de prueba, podrá juzgar la concentración o acción limpiadora de su pulidora eléctrica.

- Recuerde, no todas las pulidoras eléctricas son iguales. Las diferentes marcas reaccionarán de manera diferente en distintas superficies pintadas. Así mismo, ahora utiliza una pulidora eléctrica con pulimento eléctrico. Es totalmente distinto de cualquier aplicación manual que haya realizado en el pasado. Lave el automóvil antes de pulirlo con una pulidora eléctrica. El lavado eliminará la suciedad, escoria, sal de carretera, etc. las cuales podrían actuar como un abrasivo y dañar la pintura. La suciedad suelta, etc. también obstruirá la almohadilla de pulido y deberá limpiarla con mayor frecuencia.
- Sin encender la herramienta, agarre las asas de la herramienta y recójala (Fig. 4). Mantenga la herramienta alejada de su cuerpo y oprima el interruptor de gatillo. Asegúrese de que tiene un firme control sobre las agarraderas y opere la herramienta libremente, sin ningún esfuerzo forzado o una presión innecesaria. La agarradera lateral se puede cambiar fácilmente a cualquier lado de la herramienta para la operación por parte de zurdos o diestros.

NOTA: la acción de frotación a alta velocidad de la capucha de pulido en la superficie de un automóvil podría acumular una carga estática en las partes metálicas de esta herramienta. Esto podría resultar en una sensación de una descarga eléctrica corta y leve cuando se toca el área metálica de la herramienta, y será mucho más perceptible en días cuando la humedad es baja. Este es un fenómeno inofensivo pero puede traer la herramienta a un centro de mantenimiento DEWALT donde puede ser examinada para asegurar que no se encuentra presente ninguna falla eléctrica de funcionamiento.

MANTENIMIENTO

⚠ ADVERTENCIA: Para reducir el riesgo de lesiones personales graves, apague la herramienta y desconéctela de la fuente de alimentación antes de realizar ajustes o de retirar/instalar cualquier dispositivo o accesorio. Antes de volver a conectar la herramienta, oprima y libere el interruptor de gatillo para asegurarse de que la herramienta esté apagada.

Limpieza

⚠ ADVERTENCIA: Sople la suciedad y el polvo de todos los conductos de ventilación con aire seco al menos una vez por semana. Use la adecuada protección para los ojos ANSI Z87.1 (CAN/CSA Z94.3) y la adecuada protección respiratoria NIOSH/OSHA/MSHA cuando realice esta operación.

⚠ ADVERTENCIA: nunca utilice disolventes u otros químicos abrasivos para limpiar las piezas no metálicas de la herramienta. Estos productos químicos pueden debilitar los materiales plásticos utilizados en estas piezas. Utilice un paño humedecido sólo con agua y jabón neutro. Nunca permita que penetre líquido dentro de la herramienta ni sumerja ninguna de las piezas en un líquido.

Lubricación

Las herramientas DEWALT son lubricadas apropiadamente de fábrica y están listas para utilizar. Las herramientas deben volver a lubricarse regularmente cada 60 días a 6 meses, según el uso. (Herramientas utilizadas constantemente en producción o trabajos de servicio pesado así como herramientas expuestas al calor podrían requerir lubricación más frecuente). Sólo personal de reparación de herramientas eléctricas calificado tal como el personal de los centros de mantenimiento DEWALT u otros centros de mantenimiento autorizados deberán efectuar la lubricación.

Cepillos del motor

Cerciórese de que la herramienta está desconectada antes de revisar las escobillas. Las escobillas de carbón deben ser inspeccionadas regularmente en busca de desgaste. Para revisar las escobillas, desatornille las tapas de plástico para inspección de escobillas (ubicadas en los laterales de la carcasa del motor), de tal modo que los conjuntos de resorte y escobillas puedan ser retirados de la herramienta. Mantenga las escobillas limpias y pudiendo desplazarse libremente en sus guías. Las escobillas de carbón tienen diversos símbolos estampados sobre ellas, y si las escobillas se han desgastado hasta la línea más cercana al resorte deben ser cambiadas.

Accesorios

⚠ ADVERTENCIA: Debido a que no se han probado con este producto otros accesorios que no sean los que ofrece DEWALT, el uso de dichos accesorios podría ser peligroso. Para reducir el riesgo de lesiones, con este producto deben usarse sólo los accesorios DEWALT recomendados.

Los accesorios que se recomiendan para utilizar con la herramienta están disponibles a un costo adicional en su distribuidor local o en un centro de mantenimiento autorizado. Si necesita ayuda para localizar algún accesorio, comuníquese con DEWALT Industrial Tool Co., 701 East Joppa Road, Baltimore, MD 21286, llame al 1-800-4-DEWALT (1-800-433-9258) o visite nuestro sitio web www.dewalt.com.

Únicamente utilice accesorios que tienen una velocidad de funcionamiento máxima por lo menos tan alta como las RPM sin carga "NO LOAD RPM" indicadas en la placa de características de la herramienta. Esta precaución se aplica a cualquier accesorio en cualquier herramienta.

- **Almohadillas de respaldo de goma:** Almohadilla de respaldo de goma, súper flexible, de sustitución rápida, de 17,8 cm (7 pulg.) (incluye arandela de sujeción)

- Almohadillas de respaldo de velcro de 17,8 cm (7 pulg.)
- Cubierta de la caja del engranaje de goma suave
- Protectores contra ingestión de lana
- Agarradera auxiliar
- Agarradera en forma de asa

Reparaciones

Para asegurar la SEGURIDAD y la CONFIABILIDAD del producto, las reparaciones, el mantenimiento y los ajustes (incluyendo revisión y cambio de los carbones) deben ser realizados por un centro de servicio de fábrica DEWALT, un centro de servicio autorizado DEWALT u otro personal de mantenimiento calificado. Utilice siempre piezas de repuesto idénticas.

PARA REPARACIÓN Y SERVICIO DE SUS HERRAMIENTAS ELÉCTRICAS, FAVOR DE DIRIGIRSE AL CENTRO DE SERVICIO MÁS CERCANO

CULIACAN, SIN

Bldv.Emiliano Zapata 5400-1 Poniente - Col. San Rafael (667) 717 89 99

GUADALAJARA, JAL

Av. La Paz #1779 - Col. Americana Sector Juárez (33) 3825 6978

MEXICO, D.F.

Eje Central Lázaro Cárdenas No. 18
Local D - Col. Obrera (55) 5588 9377

MERIDA, YUC

Calle 63 #459-A - Col. Centro (999) 928 5038

MONTERREY, N.L.

Av. Francisco I. Madero 831 Poniente - Col. Centro (818) 375 23 13

PUEBLA, PUE

17 Norte #205 - Col. Centro (222) 246 3714

QUERETARO, QRO

Av. San Roque 274 - Col. San Gregorio (442) 2 17 63 14

SAN LUIS POTOSI, SLP

Av. Universidad 1525 - Col. San Luis

(444) 814 2383

TORREON, COAH

Blvd. Independencia, 96 Pte. - Col. Centro

(871) 716 5265

VERACRUZ, VER

Prolongación Díaz Mirón #4280 - Col. Remes

(229) 921 7016

VILLAHERMOSA, TAB

Constitución 516-A - Col. Centro

(993) 312 5111

PARA OTRAS LOCALIDADES:**Si se encuentra en México, por favor llame al (55) 5326 7100****Si se encuentra en U.S., por favor llame al****1-800-433-9258 (1-800 4-DEWALT)****Póliza de Garantía**

IDENTIFICACIÓN DEL PRODUCTO:

Sello o firma del Distribuidor.

Nombre del producto: _____ Mod./Cat.: _____

Marca: _____ Núm. de serie: _____

(Datos para ser llenados por el distribuidor)

Fecha de compra y/o entrega del producto: _____

Nombre y domicilio del distribuidor donde se adquirió el producto: _____

Este producto está garantizado por un año a partir de la fecha de entrega, contra cualquier defecto en su funcionamiento, así como en materiales y mano de obra empleados para su fabricación. Nuestra garantía incluye la reparación o reposición del producto y/o componentes sin cargo alguno para el cliente, incluyendo mano de obra, así como los gastos de transportación razonablemente erogados derivados del cumplimiento de este certificado.

Para hacer efectiva esta garantía deberá presentar su herramienta y esta póliza sellada por el establecimiento comercial donde se adquirió el producto, de no contar con ésta, bastará la factura de compra.

EXCEPCIONES

Esta garantía no será válida en los siguientes casos:

- Cuando el producto se hubiese utilizado en condiciones distintas a las normales;
- Cuando el producto no hubiese sido operado de acuerdo con el instructivo de uso que se acompaña;
- Cuando el producto hubiese sido alterado o reparado por personas distintas a las enlistadas al final de este certificado.

Anexo encontrará una relación de sucursales de servicio de fábrica, centros de servicio autorizados y franquiciados en la República Mexicana, donde podrá hacer efectiva su garantía y adquirir partes, refacciones y accesorios originales.

Garantía limitada de tres años

DEWALT reparará sin cargo cualquier defecto ocasionado por materiales defectuosos o mano de obra, durante tres años a partir de la fecha de compra. Esta garantía no cubre fallas en las piezas que resulten del desgaste normal de la herramienta o de su utilización inadecuada. Para obtener información detallada sobre la cobertura de la garantía y sobre reparaciones, visite nuestra página Web www.dewalt.com o llame al 1-800-4-DEWALT (1-800-433-9258). Esta garantía no se extiende a los accesorios o a los daños causados por terceros al intentar realizar reparaciones. Esta garantía le concede derechos legales específicos; usted goza también de otros derechos que varían según el estado o provincia.

Además de la garantía, las herramientas DEWALT están cubiertas por nuestro:

SERVICIO GRATUITO DE 1 AÑO

DEWALT realizará el mantenimiento de la herramienta y reemplazará las piezas gastadas tras el uso normal, sin costo alguno, en cualquier momento durante el primer año después de la compra.

GARANTÍA DE REEMBOLSO DE DINERO DE 90 DÍAS

Si por alguna razón no estuviera plenamente satisfecho con el rendimiento de la herramienta eléctrica, el láser o la clavadora DEWALT, puede devolver el producto dentro de los 90 días siguientes a la fecha de compra acompañado del recibo de compra. De esta manera, se le reintegrará el importe total del producto sin formularle pregunta alguna.

AMÉRICA LATINA: Esta garantía no se aplica a los productos que se venden en América Latina. Para los productos que se venden en América Latina, debe consultar la información de la garantía específica del país que viene en el empaque, llamar a la compañía local o visitar el sitio Web a fin de obtener esa información.

REEMPLAZO GRATUITO DE LAS ETIQUETAS DE ADVERTENCIA:

Si sus etiquetas de advertencia se tornan ilegibles o faltan, llame al 1-800-4-DEWALT (1-800-433-9258) para que se las reemplacen gratuitamente.



ESPECIFICACIONES

DWP849/DWP849X

Tensión de alimentación:	120 V AC ~
Consumo de corriente:	12 A
Frecuencia de alimentación:	60 Hz
Potencia nominal:	1 250 W
Rotación sin carga:	0-600/0-3 500 RPM

SOLAMENTE PARA PROPÓSITO DE MÉXICO:
IMPORTADO POR: DEWALT S.A. DE C.V.
BOSQUES DE CIDROS, ACCESO RADIATAS NO.42
3A. SECCIÓN DE BOSQUES DE LAS LOMAS
DELEGACIÓN CUAJIMALPA,
05120, MÉXICO, D.F.
TEL. (52) 555-326-7100
R.F.C.: BDE810626-1W7

Para servicio y ventas consulte
"HERRAMIENTAS ELÉCTRICAS"
en la sección amarilla.







DEWALT Industrial Tool Co., 701 Joppa Road, Towson, MD 21286
(SEP15) Part No. N455048 DWP849, DWP849X Copyright © 2011, 2015 DEWALT

The following are trademarks for one or more DEWALT power tools: the yellow and black color scheme; the “D” shaped air intake grill; the array of pyramids on the handgrip; the kit box configuration; and the array of lozenge-shaped humps on the surface of the tool.