

# DEWALT®



**Instruction Manual  
Guide D'utilisation  
Manual de instrucciones**

**DWE6401**

**5" (127 mm) Disc Sander**

**Ponceuse à disque 127 mm (5 po)**

**Lijadora de disco de 127 mm (5")**

**[www.DEWALT.com](http://www.DEWALT.com)**

**If you have questions or comments, contact us.  
Pour toute question ou tout commentaire, nous contacter.  
Si tiene dudas o comentarios, contáctenos.**

**1-800-4-DEWALT**

ENGLISH

---

English (**original instructions**) 1

---

Français (*traduction de la notice d'instructions originale*) 9

---

Español (*traducido de las instrucciones originales*) 18

---

## Definitions: Safety Alert Symbols and Words

This instruction manual uses the following safety alert symbols and words to alert you to hazardous situations and your risk of personal injury or property damage.



**DANGER:** Indicates an imminently hazardous situation which, if not avoided, **will** result in **death or serious injury**.



**WARNING:** Indicates a potentially hazardous situation which, if not avoided, **could** result in **death or serious injury**.



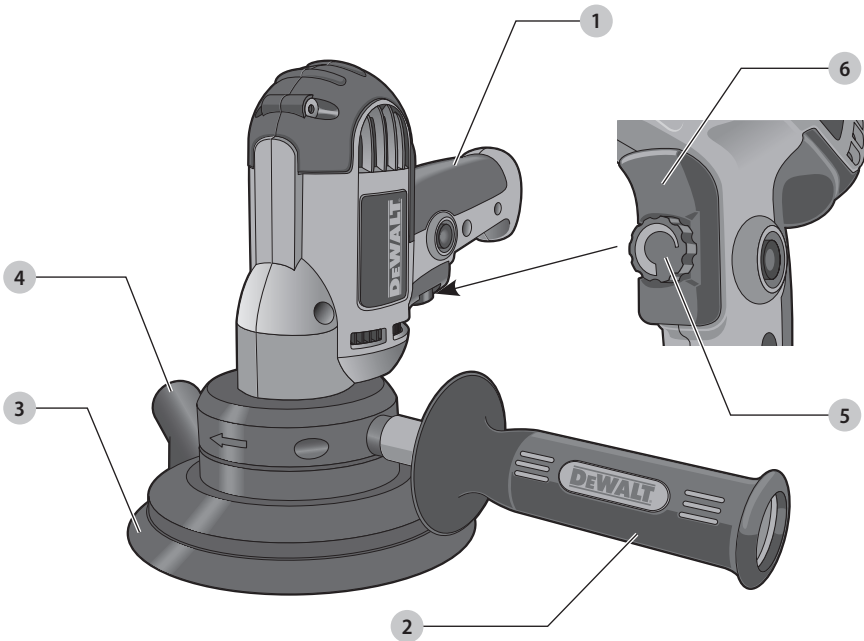
**CAUTION:** Indicates a potentially hazardous situation which, if not avoided, **may** result in **minor or moderate injury**.



(Used without word) Indicates a safety related message.

**NOTICE:** Indicates a practice **not related to personal injury** which, if not avoided, **may** result in **property damage**.

Fig. A



- 1 Main handle
- 2 Side handle
- 3 Dust shroud
- 4 Dust port
- 5 Speed control dial
- 6 Trigger switch



**WARNING! Read all safety warnings and all instructions.** Failure to follow the warnings and instructions may result in electric shock, fire and/or serious injury.



**WARNING:** To reduce the risk of injury, read the instruction manual.

If you have any questions or comments about this or any DeWALT tool, call us toll free at:  
1-800-4-DeWALT (1-800-433-9258).

## GENERAL POWER TOOL SAFETY WARNINGS



**WARNING! Read all safety warnings and all instructions.** Failure to follow the warnings and instructions may result in electric shock, fire and/or serious injury.

### SAVE ALL WARNINGS AND INSTRUCTIONS FOR FUTURE REFERENCE

The term "power tool" in the warnings refers to your mains-operated (corded) power tool or battery-operated (cordless) power tool.

#### 1) Work Area Safety

- a) **Keep work area clean and well lit.** Cluttered or dark areas invite accidents.
- b) **Do not operate power tools in explosive atmospheres, such as in the presence of flammable liquids, gases or dust.** Power tools create sparks which may ignite the dust or fumes.
- c) **Keep children and bystanders away while operating a power tool.** Distractions can cause you to lose control.

#### 2) Electrical Safety

- a) **Power tool plugs must match the outlet. Never modify the plug in any way. Do not use any adapter plugs with earthed (grounded) power tools.** Unmodified plugs and matching outlets will reduce risk of electric shock.
- b) **Avoid body contact with earthed or grounded surfaces such as pipes, radiators, ranges and refrigerators.** There is an increased risk of electric shock if your body is earthed or grounded.
- c) **Do not expose power tools to rain or wet conditions.** Water entering a power tool will increase the risk of electric shock.
- d) **Do not abuse the cord. Never use the cord for carrying, pulling or unplugging the power tool. Keep cord away from heat, oil, sharp edges or moving parts.** Damaged or entangled cords increase the risk of electric shock.
- e) **When operating a power tool outdoors, use an extension cord suitable for outdoor use.** Use of a cord suitable for outdoor use reduces the risk of electric shock.
- f) **If operating a power tool in a damp location is unavoidable, use a ground fault circuit interrupter (GFCI) protected supply.** Use of a GFCI reduces the risk of electric shock.

#### 3) Personal Safety

- a) **Stay alert, watch what you are doing and use common sense when operating a power tool. Do not use a power tool while you are tired or under the influence of drugs, alcohol or medication.** A moment of inattention while operating power tools may result in serious personal injury.

- b) **Use personal protective equipment. Always wear eye protection.** Protective equipment such as dust mask, non-skid safety shoes, hard hat, or hearing protection used for appropriate conditions will reduce personal injuries.
- c) **Prevent unintentional starting. Ensure the switch is in the off position before connecting to power source and/or battery pack, picking up or carrying the tool.** Carrying power tools with your finger on the switch or energizing power tools that have the switch on invites accidents.
- d) **Remove any adjusting key or wrench before turning the power tool on.** A wrench or a key left attached to a rotating part of the power tool may result in personal injury.
- e) **Do not overreach. Keep proper footing and balance at all times.** This enables better control of the power tool in unexpected situations.
- f) **Dress properly. Do not wear loose clothing or jewelry. Keep your hair, clothing and gloves away from moving parts.** Loose clothes, jewelry or long hair can be caught in moving parts.
- g) **If devices are provided for the connection of dust extraction and collection facilities, ensure these are connected and properly used.** Use of dust collection can reduce dust-related hazards.

#### 4) Power Tool Use and Care

- a) **Do not force the power tool. Use the correct power tool for your application.** The correct power tool will do the job better and safer at the rate for which it was designed.
- b) **Do not use the power tool if the switch does not turn it on and off.** Any power tool that cannot be controlled with the switch is dangerous and must be repaired.
- c) **Disconnect the plug from the power source and/or the battery pack from the power tool before making any adjustments, changing accessories, or storing power tools.** Such preventive safety measures reduce the risk of starting the power tool accidentally.
- d) **Store idle power tools out of the reach of children and do not allow persons unfamiliar with the power tool or these instructions to operate the power tool.** Power tools are dangerous in the hands of untrained users.
- e) **Maintain power tools. Check for misalignment or binding of moving parts, breakage of parts and any other condition that may affect the power tool's operation. If damaged, have the power tool repaired before use.** Many accidents are caused by poorly maintained power tools.
- f) **Keep cutting tools sharp and clean.** Properly maintained cutting tools with sharp cutting edges are less likely to bind and are easier to control.
- g) **Use the power tool, accessories and tool bits, etc. in accordance with these instructions, taking**

*into account the working conditions and the work to be performed. Use of the power tool for operations different from those intended could result in a hazardous situation.*

## 5) Service

- a) *Have your power tool serviced by a qualified repair person using only identical replacement parts. This will ensure that the safety of the power tool is maintained.*

## SAFETY INSTRUCTIONS FOR ALL OPERATIONS

### Safety Warnings Common for Grinding, Sanding, Wire Brushing, Polishing or Abrasive, Cutting-Off Operations

- a) *This power tool is intended to function as a sander. Read all safety warnings, instructions, illustrations and specifications provided with this power tool. Failure to follow all instructions listed below may result in electric shock, fire and/or serious injury.*
  - b) *Operations such as grinding, wire brushing, polishing or cutting-off are not recommended to be performed with this power tool. Operations for which the power tool was not designed may create a hazard and cause personal injury.*
  - c) *Do not use accessories which are not specifically designed and recommended by the tool manufacturer. Just because the accessory can be attached to your power tool, it does not assure safe operation.*
  - d) *The rated speed of the accessory must be at least equal to the maximum speed marked on the power tool. Accessories running faster than their rated speed can break and fly apart.*
  - e) *The outside diameter and the thickness of your accessory must be within the capacity rating of your power tool. Incorrectly sized accessories cannot be adequately guarded or controlled.*
  - f) *Threaded mounting of accessories must match the grinder spindle thread. For accessories mounted by flanges, the arbor hole of the accessory must fit the locating diameter of the flange. Accessories that do not match the mounting hardware of the power tool will run out of balance, vibrate excessively and may cause loss of control.*
  - g) *Do not use a damaged accessory. Before each use inspect the accessory such as abrasive wheels for chips and cracks, backing pad for cracks, tear or excess wear, wire brush for loose or cracked wires. If power tool or accessory is dropped, inspect for damage or install an undamaged accessory. After inspecting and installing an accessory, position yourself and bystanders away from the plane of the rotating accessory and run the power tool at maximum*
- no-load speed for one minute. Damaged accessories will normally break apart during this test time.*
  - h) *Wear personal protective equipment. Depending on application, use face shield, safety goggles or safety glasses. As appropriate, wear dust mask, hearing protectors, gloves and workshop apron capable of stopping small abrasive or workpiece fragments. The eye protection must be capable of stopping flying debris generated by various operations. The dust mask or respirator must be capable of filtering particles generated by your operation. Prolonged exposure to high intensity noise may cause hearing loss.*
  - i) *Keep bystanders a safe distance away from work area. Anyone entering the work area must wear personal protective equipment. Fragments of workpiece or of a broken accessory may fly away and cause injury beyond immediate area of operation.*
  - j) *Hold the power tool by insulated gripping surfaces only, when performing an operation where the cutting accessory may contact hidden wiring or its own cord. Cutting accessory contacting a "live" wire may make exposed metal parts of the power tool "live" and shock the operator.*
  - k) *Position the cord clear of the spinning accessory. If you lose control, the cord may be cut or snagged and your hand or arm may be pulled into the spinning accessory.*
  - l) *Never lay the power tool down until the accessory has come to a complete stop. The spinning accessory may grab the surface and pull the power tool out of your control.*
  - m) *Do not run the power tool while carrying it at your side. Accidental contact with the spinning accessory could snag your clothing, pulling the accessory into your body.*
  - n) *Regularly clean the power tool's air vents. The motor's fan will draw the dust inside the housing and excessive accumulation of powdered metal may cause electrical hazards.*
  - o) *Do not operate the power tool near flammable materials. Sparks could ignite these materials.*
  - p) *Do not use accessories that require liquid coolants. Using water or other liquid coolants may result in electrocution or shock.*
  - q) *Do not use Type 11 (flaring cup) wheels on this tool. Using inappropriate accessories can result in injury.*
  - r) *Always use side handle. Tighten the handle securely. The side handle should always be used to maintain control of the tool at all times.*

### Kickback and Related Warnings

*Kickback is a sudden reaction to a pinched or snagged rotating wheel, backing pad, brush or any other accessory. Pinching or snagging causes rapid stalling of the rotating accessory which in turn causes the uncontrolled power tool to*

## ENGLISH

be forced in the direction opposite of the accessory's rotation at the point of the binding.

For example, if an abrasive wheel is snagged or pinched by the workpiece, the edge of the wheel that is entering into the pinch point can dig into the surface of the material causing the wheel to climb out or kick out. The wheel may either jump toward or away from the operator, depending on direction of the wheel's movement at the point of pinching. Abrasive wheels may also break under these conditions.

Kickback is the result of tool misuse and/or incorrect operating procedures or conditions and can be avoided by taking proper precautions as given below:

- a) **Maintain a firm grip on the power tool and position your body and arm to allow you to resist kickback forces. Always use auxiliary handle, if provided, for maximum control over kickback or torque reaction during start up.** The operator can control torque reaction or kickback forces, if proper precautions are taken.
- b) **Never place your hand near the rotating accessory.** Accessory may kickback over your hand.
- c) **Do not position your body in the area where power tool will move if kickback occurs.** Kickback will propel the tool in direction opposite to the wheel's movement at the point of snagging.
- d) **Use special care when working corners, sharp edges etc. Avoid bouncing and snagging the accessory.** Corners, sharp edges or bouncing have a tendency to snag the rotating accessory and cause loss of control or kickback.
- e) **Do not attach a saw chain woodcarving blade or toothed saw blade.** Such blades create frequent kickback and loss of control.

## Safety Warnings Specific for Sanding Operations

- a) **Do not use excessively oversized sanding disc paper. Follow manufacturers recommendations, when selecting sanding paper.** Larger sanding paper extending beyond the sanding pad presents a laceration hazard and may cause snagging, tearing of the disc or kickback.

## Additional Safety Information



**WARNING: ALWAYS** use safety glasses. Everyday eyeglasses are NOT safety glasses. Also use face or dust mask if cutting operation is dusty. **ALWAYS WEAR CERTIFIED SAFETY EQUIPMENT:**

- ANSI Z87.1 eye protection (CAN/CSA Z94.3),
- ANSI S12.6 (S3.19) hearing protection,
- NIOSH/OSHA/MSHA respiratory protection.



**WARNING:** Some dust created by power sanding, sawing, grinding, drilling, and other construction activities contains chemicals known to the State of California to cause cancer, birth defects or other reproductive harm. Some examples of these chemicals are:

- lead from lead-based paints,
- crystalline silica from bricks and cement and other masonry products, and
- arsenic and chromium from chemically-treated lumber.

Your risk from these exposures varies, depending on how often you do this type of work. To reduce your exposure to these chemicals: work in a well ventilated area, and work with approved safety equipment, such as those dust masks that are specially designed to filter out microscopic particles.

- **Avoid prolonged contact with dust from power sanding, sawing, grinding, drilling, and other construction activities. Wear protective clothing and wash exposed areas with soap and water.** Allowing dust to get into your mouth, eyes, or lay on the skin may promote absorption of harmful chemicals.



**WARNING:** Use of this tool can generate and/or disperse dust, which may cause serious and permanent respiratory or other injury. Always use NIOSH/OSHA approved respiratory protection appropriate for the dust exposure. Direct particles away from face and body.



**WARNING: Always wear proper personal hearing protection that conforms to ANSI S12.6 (S3.19) during use.** Under some conditions and duration of use, noise from this product may contribute to hearing loss.



**CAUTION: When not in use, place tool on its side on a stable surface where it will not cause a tripping or falling hazard.** Some tools with large battery packs will stand upright on the battery pack but may be easily knocked over.

- **Never use this power tool for grinding, wire brushing, polishing or cutting-off operations.**
- **Air vents often cover moving parts and should be avoided.** Loose clothes, jewelry or long hair can be caught in moving parts.
- **An extension cord must have adequate wire size (AWG or American Wire Gauge) for safety.** The smaller the gauge number of the wire, the greater the capacity of the cable, that is, 16 gauge has more capacity than 18 gauge. An undersized cord will cause a drop in line voltage resulting in loss of power and overheating. When using more than one extension to make up the total length, be sure each individual extension contains at least the minimum wire size. The following table shows the correct size to use depending on cord length and nameplate ampere rating. If in doubt, use the next heavier gauge. The lower the gauge number, the heavier the cord.

Minimum Gauge for Cord Sets

Volts	Total Length of Cord in Feet (meters)				
	120 V	25 (7.6)	50 (15.2)	100 (30.5)	150 (45.7)
240 V	50 (15.2)	100 (30.5)	200 (61.0)	300 (91.4)	
Ampere Rating	American Wire Gauge				
More Than	Not More Than				
0	6	18	16	16	14
6	10	18	16	14	12
10	12	16	16	14	12
12	16	14	12	Not Recommended	

The label on your tool may include the following symbols. The symbols and their definitions are as follows:

- V ..... volts
- Hz ..... hertz
- min ..... minutes
- — — or DC ..... direct current
- ⊕ ..... Class I Construction (grounded)
- .../min ..... per minute
- BPM ..... beats per minute
- IPM ..... impacts per minute
- RPM ..... revolutions per minute
- s/fpm ..... surface feet per minute
- SPM ..... strokes per minute
- A ..... amperes
- W ..... watts
- ~ or AC ..... alternating current
- ⎓ or AC/DC ..... alternating or direct current
- Ⓜ ..... Class II Construction (double insulated)
- n<sub>0</sub> ..... no load speed
- n ..... rated speed
- Ⓧ ..... earthing terminal
- ⚠ ..... safety alert symbol
- ⚠ ..... visible radiation
- ☁ ..... wear respiratory protection
- 👁 ..... wear eye protection
- 👂 ..... wear hearing protection
- 📖 ..... read all documentation

**Additional Safety Rules for Paint Removal**

- Sanding of lead based paint is **NOT RECOMMENDED** due to the difficulty of controlling the contaminated dust. The greatest danger of lead poisoning is to children and pregnant women.
- Since it is difficult to identify whether or not a paint contains lead without a chemical analysis, we recommend the following precautions when sanding any paint:

**Personal Safety**

- No children or pregnant women should enter the work area where the paint sanding is being done until all clean up is completed.
- A dust mask or respirator should be worn by all persons entering the work area. The filter should be replaced daily or whenever the wearer has difficulty breathing. See your local hardware store for the proper NIOSH approved dust mask.
- NO EATING, DRINKING or SMOKING should be done in the work area to prevent ingesting contaminated paint particles. Workers should wash and clean up BEFORE eating, drinking or smoking. Articles of food, drink, or

smoking should not be left in the work area where dust would settle on them.

**Environmental Safety**

- Paint should be removed in such a manner as to minimize the amount of dust generated.
- Areas where paint removal is occurring should be sealed with plastic sheeting of 4 mil thickness.
- Sanding should be done in a manner to reduce tracking of paint dust outside the work area.

**Cleaning and Disposal**

- All surfaces in the work area should be vacuumed and thoroughly cleaned daily for the duration of the sanding project. Vacuum filter bags should be changed frequently.
- Plastic drop cloths should be gathered up and disposed of along with any dust chips or other removal debris. They should be placed in sealed refuse receptacles and disposed of through regular trash pick-up procedures. During clean up, children and pregnant women should be kept away from the immediate work area.
- All toys, washable furniture and utensils used by children should be washed thoroughly before being used again.

**SAVE THESE INSTRUCTIONS FOR FUTURE USE**

**Motor**

Be sure your power supply agrees with the nameplate marking. Voltage decrease of more than 10% will cause loss of power and overheating. DEWALT tools are factory tested; if this tool does not operate, check power supply.

**COMPONENTS (FIG. A)**

**WARNING:** Never modify the power tool or any part of it. Damage or personal injury could result.

Refer to Figure A at the beginning of this manual for a complete list of components.

**INTENDED USE**

This sander is designed for professional sanding of solid surface material such as wood, metal, fiberglass, plastics and paint.

**DO NOT** use under wet conditions or in presence of flammable liquids or gases.

These heavy-duty sanders are professional power tools.

**DO NOT** let children come into contact with the tool. Supervision is required when inexperienced operators use this tool.

**Switch (Fig. A)**

The variable speed is controlled in two ways: speed control dial 5 and the trigger switch 6.

**Speed Control Dial**

By rotating the speed control dial 5 in either direction, the maximum speed or revolutions per minute at which the sander will perform is adjusted. The speed control dial adjusts the rotation speed of the pad from approx. 0 to 4100 rpms.



## ENGLISH

### Trigger Switch

As the trigger switch is pressed in, the rotation continues to increase, but will not exceed the maximum setting on the speed control dial. As the trigger is released, the sander head revolutions per minute are reduced.

### ASSEMBLY AND ADJUSTMENTS

**!** **WARNING:** To reduce the risk of serious personal injury, turn unit off and disconnect it from power source before making any adjustments or removing/installing attachments or accessories. An accidental start-up can cause injury.

### Attaching Side Handle (Fig. A)

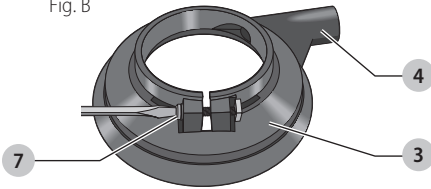
The side handle **2** can be fitted to either side of the housing in the threaded holes. Before using the tool, check that the handle is tightened securely.

This handle should be used at all times to maintain complete control of the tool.

### Assemble Dust Shroud (Fig. B–D)

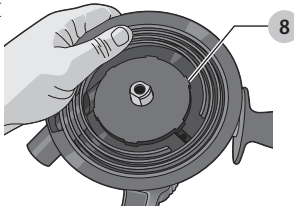
1. Loosen screw **7** on dust shroud **3**. Do not remove screw or nut.

Fig. B



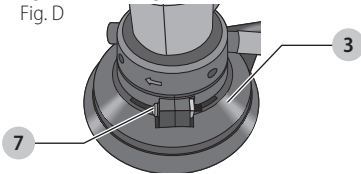
2. Slide dust shroud onto sander body.
3. With the sander on a stable surface, hold the dust shroud **3** by the dust port **4** and push this side of shroud over the notches **8**. Then work in a circular motion and push the shroud over the remaining notches.

Fig. C



4. Ensure dust shroud **3** is seated against sander body and tighten screw **7** so shroud does not move while tool is running. Do not overtighten.

Fig. D

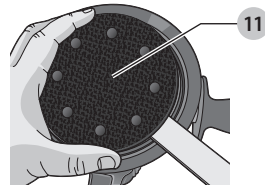
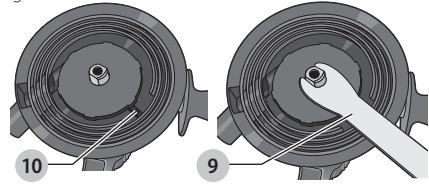


### Assemble Sanding Pad (Fig. E)

1. Place supplied wrench **9** onto spindle. Rotate and align wrench with dust shroud baffles **10**.

2. While holding the spindle with the wrench, place sanding pad **11** onto spindle and rotate clockwise until tight.

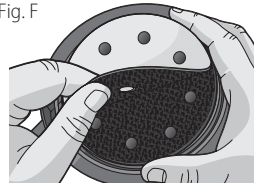
Fig. E



### Attaching Abrasive Disc (Fig. F)

Use 5" (127 mm) sanding discs with an 8-hole dust extraction pattern which attach to the sander with hook and loop.

Fig. F



1. Turn the sander over so that the sanding pad is facing upward.
2. Clean the dust from the hook and loop pad face.
3. Hold the pad with one hand to keep it from rotating.
4. With the other hand, align the holes and place the disc directly on top of the pad.

**NOTE:** Do not use the sanding screen (the screen used for sanding drywall) directly on the hook and loop pad. The screen will not hold and will damage the hooks on the pad. The hooks will wear very rapidly if left in contact with the work surface while the tool is operating.

### OPERATION

**!** **WARNING:** To reduce the risk of serious personal injury, turn unit off and disconnect it from power source before making any adjustments or removing/installing attachments or accessories. An accidental start-up can cause injury.

### Proper Hand Position (Fig. G)

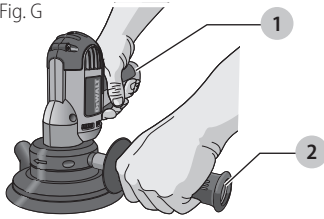
**!** **WARNING:** To reduce the risk of serious personal injury, ALWAYS use proper hand position as shown.

**!** **WARNING:** To reduce the risk of serious personal injury, ALWAYS hold securely in anticipation of a sudden reaction.

Proper hand position requires one hand under the main handle **1** and the other hand on the side handle **2**.



Fig. G



## Dust Collection (Fig. A)

**WARNING:** To reduce the risk of injury, turn unit off and disconnect it from power source before installing and removing accessories, before adjusting or when making repairs. Be sure the switch is in the "OFF" position. An accidental start-up can cause injury.

**WARNING:** To reduce the risk of serious personal injury, NEVER operate this tool with perforated paper unless the dust collection system is in place.

**WARNING:** Empty dust collection system frequently, especially when sanding resin-coated surfaces such as polyurethane, varnish, shellac, etc. Dispose of coated dust particles according to the finish manufacturer's guidelines, or place in a metal can with a tight fitting metal lid. Remove coated dust particles from the premises daily. The accumulation of fine sanding dust particles may self ignite and cause fire.

Attach vacuum hose to the dust port 4.

## Using the Sander (Fig. G)

To operate your sander, grasp it as shown in Figure G. Hold the tool firmly and turn it on. Apply the sanding disc to the workpiece and apply slight pressure only. Be sure to check your work often. This sander is capable of removing material rapidly, especially with coarse paper.

To produce the best finish possible, start with coarse grit sandpaper and change gradually to finer and finer paper. Vacuum and wipe the surface with a tack cloth between grit steps.

When sanding painted surfaces (see **Additional Safety Rules for Paint Removal**), you may find that the sandpaper clogs with paint. A heat gun will work much better to remove paint before sanding. Follow all the safety instructions in the heat gun instruction manual.

## MAINTENANCE

**WARNING:** To reduce the risk of serious personal injury, turn unit off and disconnect it from power source before making any adjustments or removing/installing attachments or accessories. An accidental start-up can cause injury.

## Cleaning

**WARNING:** Blow dirt and dust out of all air vents with clean, dry air at least once a week. To minimize the risk of eye injury, always wear ANSI Z87.1 approved eye protection when performing this.

**WARNING:** Never use solvents or other harsh chemicals for cleaning the non-metallic parts of the tool. These chemicals may weaken the plastic materials used in these parts. Use a cloth dampened only with water and mild soap. Never let any liquid get inside the tool; never immerse any part of the tool into a liquid.

## Accessories

**WARNING:** Since accessories, other than those offered by DeWALT, have not been tested with this product, use of such accessories with this tool could be hazardous. To reduce the risk of injury, only DeWALT recommended accessories should be used with this product.

Recommended accessories for use with your tool are available at extra cost from your local dealer or authorized service center. If you need assistance in locating any accessory, please contact DeWALT Industrial Tool Co., 701 East Joppa Road, Towson, MD 21286, call 1-800-4-DeWALT (1-800-433-9258) or visit our website: [www.dewalt.com](http://www.dewalt.com).

## Repairs

**WARNING:** To assure product SAFETY and RELIABILITY, repairs, maintenance and adjustment (including brush inspection and replacement) should be performed by a DeWALT factory service center or a DeWALT authorized service center. Always use identical replacement parts.

## Register Online

Thank you for your purchase. Register your product now for:

- **WARRANTY SERVICE:** Registering your product will help you obtain more efficient warranty service in case there is a problem with your product.
- **CONFIRMATION OF OWNERSHIP:** In case of an insurance loss, such as fire, flood or theft, your registration of ownership will serve as your proof of purchase.
- **FOR YOUR SAFETY:** Registering your product will allow us to contact you in the unlikely event a safety notification is required under the Federal Consumer Safety Act.

Register online at [www.dewalt.com/register](http://www.dewalt.com/register).

## Three Year Limited Warranty

DeWALT will repair, without charge, any defects due to faulty materials or workmanship for three years from the date of purchase. This warranty does not cover part failure due to normal wear or tool abuse. For further detail of warranty coverage and warranty repair information, visit [www.dewalt.com](http://www.dewalt.com) or call 1-800-4-DeWALT (1-800-433-9258). This warranty does not apply to accessories or damage caused where repairs have been made or attempted by others. This warranty gives you specific legal rights and you may have other rights which vary in certain states or provinces.

## ENGLISH

In addition to the warranty, DeWALT tools are covered by our:

### 1 YEAR FREE SERVICE

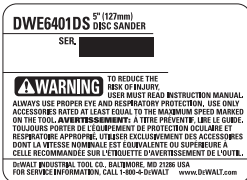
DeWALT will maintain the tool and replace worn parts caused by normal use, for free, any time during the first year after purchase.

### 90 DAY MONEY BACK GUARANTEE

If you are not completely satisfied with the performance of your DeWALT Power Tool, Laser, or Nailer for any reason, you can return it within 90 days from the date of purchase with a receipt for a full refund – no questions asked.

**LATIN AMERICA:** This warranty does not apply to products sold in Latin America. For products sold in Latin America, see country specific warranty information contained in the packaging, call the local company or see website for warranty information.

**FREE WARNING LABEL REPLACEMENT:** If your warning labels become illegible or are missing, call 1-800-4-DeWALT (1-800-433-9258) for a free replacement.



**ADVERTENCIA:** PARA EL MANEJO SEGURO LEA EL MANUAL DE INSTRUCCIONES. UTILICE SIEMPRE LA PROTECCIÓN ADECUADA PARA LA VISTA Y PARA LAS VÍAS RESPIRATORIAS. UTILICE SÓLO ACCESORIOS CALIFICADOS PARA UTILIZAR A LA VELOCIDAD MÁXIMA MARCADA EN LA HERRAMIENTA, COMO MÍNIMO.

## Définitions : symboles et termes d'alarmes sécurité

Ces guides d'utilisation utilisent les symboles et termes d'alarmes sécurité suivants pour vous prévenir de situations dangereuses et de risques de dommages corporels ou matériels.



**DANGER** : indique une situation dangereuse imminente qui, si elle n'est pas évitée, **entraînera la mort ou des blessures graves**.



**AVERTISSEMENT** : indique une situation potentiellement dangereuse qui, si elle n'est pas évitée, **pourrait entraîner la mort ou des blessures graves**.



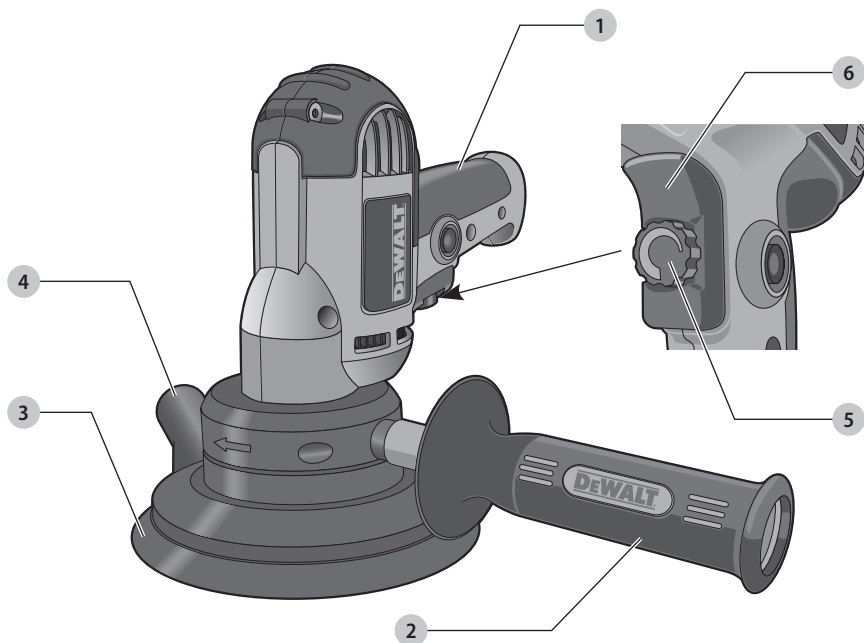
**ATTENTION** : indique une situation potentiellement dangereuse qui, si elle n'est pas évitée, **pourrait entraîner des blessures légères ou modérées**.



(Si utilisé sans aucun terme) Indique un message propre à la sécurité.

**AVIS** : indique une pratique ne posant **aucun risque de dommages corporels** mais qui par contre, si rien n'est fait pour l'éviter, **pourrait poser des risques de dommages matériels**.

Fig. A



- 1 Poignée principale
- 2 Poignée latérale
- 3 Dispositif anti-poussière
- 4 Buse de dé poussierage
- 5 Variateur de vitesse
- 6 Gâchette



**AVERTISSEMENT!** lire tous les avertissements de sécurité et toutes les directives. Le non-respect des avertissements et des directives pourrait se solder par un choc électrique, un incendie et/ou une blessure grave.



**AVERTISSEMENT** : afin de réduire le risque de blessures, lire le mode d'emploi de l'outil.

Pour toute question ou remarque au sujet de cet outil ou de tout autre outil DeWALT, composez le numéro sans frais : 1-800-4-DeWALT (1-800-433-9258).

## AVERTISSEMENTS DE SÉCURITÉ GÉNÉRAUX POUR LES OUTILS ÉLECTRIQUES



**AVERTISSEMENT!** lire tous les avertissements de **sécurité et toutes les directives**. Le non-respect des avertissements et des directives pourrait se solder par un choc électrique, un incendie et/ou une blessure grave.

### CONSERVER TOUS LES AVERTISSEMENTS ET TOUTES LES DIRECTIVES POUR UN USAGE ULTÉRIEUR

Le terme « outil électrique » cité dans les avertissements se rapporte à votre outil électrique à alimentation sur secteur (avec fil) ou par piles (sans fil).

#### 1) Sécurité du lieu de travail

- Tenir l'aire de travail propre et bien éclairée.**  
Les lieux encombrés ou sombres sont propices aux accidents.
- Ne pas faire fonctionner d'outils électriques dans un milieu déflamant, tel qu'en présence de liquides, de gaz ou de poussières inflammables.**  
Les outils électriques produisent des étincelles qui pourraient enflammer la poussière ou les vapeurs.
- Éloigner les enfants et les personnes à proximité pendant l'utilisation d'un outil électrique.** Une distraction pourrait en faire perdre la maîtrise à l'utilisateur.

#### 2) Sécurité en matière d'électricité

- Les fiches des outils électriques doivent correspondre à la prise. Ne jamais modifier la fiche d'aucune façon. Ne jamais utiliser de fiche d'adaptation avec un outil électrique mis à la terre.** Le risque de choc électrique sera réduit par l'utilisation de fiches non modifiées correspondant à la prise.
- Éviter tout contact physique avec des surfaces mises à la terre comme des tuyaux, des radiateurs, des cuisinières et des réfrigérateurs.** Le risque de choc électrique est plus élevé si votre corps est mis à la terre.
- Ne pas exposer les outils électriques à la pluie ou à l'humidité.** La pénétration de l'eau dans un outil électrique augmente le risque de choc électrique.
- Ne pas utiliser le cordon de façon abusive. Ne jamais utiliser le cordon pour transporter, tirer ou débrancher un outil électrique. Tenir le cordon éloigné de la chaleur, de l'huile, des bords tranchants et des pièces mobiles.** Les cordons endommagés ou enchevêtrés augmentent les risques de choc électrique.
- Pour l'utilisation d'un outil électrique à l'extérieur, se servir d'une rallonge convenant à cette application.** L'utilisation d'une rallonge conçue pour l'extérieur réduira les risques de choc électrique.

- S'il est impossible d'éviter l'utilisation d'un outil électrique dans un endroit humide, brancher l'outil dans une prise ou sur un circuit d'alimentation dotés d'un disjoncteur de fuite à la terre (GFCI).** L'utilisation de ce type de disjoncteur réduit les risques de choc électrique.

#### 3) Sécurité personnelle

- Être vigilant, surveiller le travail effectué et faire preuve de jugement lorsqu'un outil électrique est utilisé. Ne pas utiliser d'outil électrique en cas de fatigue ou sous l'influence de drogues, d'alcool ou de médicaments.** Un simple moment d'inattention en utilisant un outil électrique peut entraîner des blessures corporelles graves.
  - Utiliser des équipements de protection individuelle. Toujours porter une protection oculaire.** L'utilisation d'équipements de protection comme un masque antipoussière, des chaussures antidérapantes, un casque de sécurité ou des protecteurs auditifs lorsque la situation le requiert réduira les risques de blessures corporelles.
  - Empêcher les démarrages intempestifs. S'assurer que l'interrupteur se trouve à la position d'arrêt avant de relier l'outil à une source d'alimentation et/ou d'insérer un bloc-piles, de ramasser ou de transporter l'outil.** Transporter un outil électrique alors que le doigt repose sur l'interrupteur ou brancher un outil électrique dont l'interrupteur est à la position de marche risque de provoquer un accident.
  - Retirer toute clé de réglage ou clé avant de démarrer l'outil.** Une clé ou une clé de réglage attachée à une partie pivotante de l'outil électrique peut provoquer des blessures corporelles.
  - Ne pas trop tendre les bras. Conserver son équilibre en tout temps.** Cela permet de mieux maîtriser l'outil électrique dans les situations imprévues.
  - S'habiller de manière appropriée. Ne pas porter de vêtements amples ni de bijoux. Garder les cheveux, les vêtements et les gants à l'écart des pièces mobiles.** Les vêtements amples, les bijoux ou les cheveux longs risquent de rester coincés dans les pièces mobiles.
  - Si des composants sont fournis pour le raccordement de dispositifs de dépoussiérage et de ramassage, s'assurer que ceux-ci sont bien raccordés et utilisés.** L'utilisation d'un dispositif de dépoussiérage peut réduire les dangers engendrés par les poussières.
- #### 4) Utilisation et entretien d'un outil électrique
- Ne pas forcer un outil électrique. Utiliser l'outil électrique approprié à l'application.** L'outil électrique approprié effectuera un meilleur travail, de façon plus sûre et à la vitesse pour laquelle il a été conçu.

- b) **Ne pas utiliser un outil électrique dont l'interrupteur est défectueux.** Tout outil électrique dont l'interrupteur est défectueux est dangereux et doit être réparé.
- c) **Débrancher la fiche de la source d'alimentation et/ou du bloc-piles de l'outil électrique avant de faire tout réglage ou changement d'accessoire ou avant de ranger l'outil.** Ces mesures préventives réduisent les risques de démarrage accidentel de l'outil électrique.
- d) **Ranger les outils électriques hors de la portée des enfants et ne permettre à aucune personne n'étant pas familière avec un outil électrique ou son mode d'emploi d'utiliser cet outil.** Les outils électriques deviennent dangereux entre les mains d'utilisateurs inexpérimentés.
- e) **Entretien des outils électriques. Vérifier si les pièces mobiles sont mal alignées ou coincées, si des pièces sont brisées ou présentent toute autre condition susceptible de nuire au bon fonctionnement de l'outil électrique. En cas de dommage, faire réparer l'outil électrique avant toute nouvelle utilisation.** Beaucoup d'accidents sont causés par des outils électriques mal entretenus.
- f) **S'assurer que les outils de coupe sont aiguisés et propres.** Les outils de coupe bien entretenus et affûtés sont moins susceptibles de se coincer et sont plus faciles à maîtriser.
- g) **Utiliser l'outil électrique, les accessoires, les forets, etc. conformément aux présentes directives en tenant compte des conditions de travail et du travail à effectuer.** L'utilisation d'un outil électrique pour toute opération autre que celle pour laquelle il a été conçu est dangereuse.

## 5) Réparation

- a) **Faire réparer l'outil électrique par un réparateur professionnel en n'utilisant que des pièces de rechange identiques.** Cela permettra de maintenir une utilisation sécuritaire de l'outil électrique.

## CONSIGNES DE SÉCURITÉ POUR TOUTES LES OPÉRATIONS

### Avertissements de sécurité communs à toutes les opérations de meulage, ponçage, brossage à l'aide d'une brosse métallique, polissage ou de coupe

- a) **Cet outil électrique a été conçu pour être utilisé comme ponceuse. Lire toutes les consignes de sécurité, les directives, les illustrations et les caractéristiques techniques fournies avec cet outil électrique.** Tout manquement aux directives suivantes pose des risques de chocs électriques, d'incendie et/ou de blessures graves.
- b) **Les opérations de meulage, brossage métallique, polissage ou découpe ne sont pas**

**recommandées avec cet outil électrique.** Toute utilisation de cet outil électrique dans un but autre que celui pour lequel il a été conçu est dangereuse et pose des risques de dommages corporels.

- c) **Ne pas utiliser d'accessoire non conçu spécifiquement pour cet outil ou qui n'aurait pas reçu une approbation spécifique du fabricant de l'outil.** En effet, il est parfois possible de fixer un accessoire à l'outil électrique; toutefois, cela ne garantit pas une utilisation sécuritaire.
- d) **Le régime nominal de l'accessoire doit être au moins égal au régime maximal inscrit sur l'outil électrique.** Les accessoires soumis à un régime plus élevé que celui pour lequel ils sont conçus peuvent se briser et être projetés.
- e) **Le diamètre externe et l'épaisseur de l'accessoire doivent être adéquats pour la capacité de l'outil électrique.** Il est impossible de protéger l'utilisateur d'un bris d'accessoire de mauvais calibre ou de le maîtriser correctement.
- f) **Les raccords filetés d'accessoires doivent correspondre au filetage de la broche de la meuleuse. Pour les accessoires à installation par brides, l'alésage central de l'accessoire doit correspondre au diamètre de référence de la bride.** Les accessoires ne correspondant pas au dispositif d'installation de l'outil électrique ne tourneront pas correctement, vibreront de façon excessive et pourront causer la perte de contrôle de l'outil.
- g) **Ne jamais utiliser un accessoire endommagé. Avant toute utilisation, inspecter la meule abrasive à la recherche d'éclats et de fissures; le tampon pour tout signe de fissures, déchirures ou d'usure excessive; et la brosse métallique, pour déceler s'il y a des fils métalliques fissurés ou détachés. En cas de chute de l'outil ou de l'accessoire, les inspecter à la recherche de dommages ou insérer un accessoire non endommagé. Après l'inspection et l'insertion d'un accessoire, se positionner (l'utilisateur ou quiconque aux alentours) hors du plan de rotation de l'accessoire et faire tourner, pendant une minute, l'outil électrique à plein régime, à vide.** Normalement, tout accessoire endommagé se brisera au cours de cette période d'essai.
- h) **Porter un équipement de protection individuelle. Utiliser un masque facial, des lunettes de sécurité ou des lunettes protectrices en fonction de l'application. Au besoin, porter un masque antipoussières, des protecteurs auditifs, des gants et un tablier d'atelier capable d'arrêter de petits fragments d'abrasifs ou de pièces. La protection oculaire doit être en mesure d'arrêter tout débris produit par les diverses opérations et le masque antipoussières ou le respirateur, de filtrer les particules produites par l'opération en cours.** Une exposition prolongée à un bruit d'intensité élevée pourrait causer une perte auditive.

- i) **Éloigner tout observateur à une distance sécuritaire de la zone de travail. Toute personne qui pénètre dans la zone de travail devra également porter un équipement de protection individuelle.** Il est possible qu'un fragment de pièce ou un accessoire brisé soit projeté et provoque des blessures au-delà de la zone immédiate de travail.
- j) **Tenir l'outil électrique uniquement par sa surface de prise isolée dans une situation où l'accessoire de coupe pourrait entrer en contact avec un câble électrique dissimulé ou avec son propre cordon d'alimentation.** Tout contact entre un fil « sous tension » et l'accessoire de coupe pourrait également mettre « sous tension » les pièces métalliques exposées de l'outil et électrocuter l'opérateur.
- k) **Positionner le cordon d'alimentation hors d'atteinte de l'accessoire en mouvement.** En cas de perte de maîtrise, il est possible de couper ou d'effiloche le cordon et la main ou le bras de l'utilisateur risqueraient d'être happés par l'accessoire en mouvement.
- l) **Ne jamais déposer l'outil électrique avant l'immobilisation complète de l'accessoire.** L'accessoire en mouvement risquerait de mordre dans la surface et de projeter l'outil électrique.
- m) **Mettre l'outil hors tension pour tout déplacement de celui-ci par l'utilisateur.** Un contact accidentel avec l'accessoire en mouvement pourrait happer les vêtements de l'opérateur et projeter l'accessoire contre son corps.
- n) **Nettoyer régulièrement les événements de l'outil électrique. Le ventilateur du moteur aspirera la poussière à l'intérieur du boîtier.** Une accumulation excessive de poudre métallique représente un danger d'origine électrique.
- o) **Ne pas faire fonctionner l'outil électrique à proximité de matières inflammables.** Les étincelles produites risquent de les enflammer.
- p) **Ne pas utiliser d'accessoires qui exigent l'utilisation d'un liquide de refroidissement.** L'utilisation d'eau ou de tout autre liquide de refroidissement pourrait se solder par une électrocution ou une secousse électrique.
- q) **Ne jamais utiliser de meules de type 11 (boisseau conique) sur cet outil.** L'utilisation d'accessoires inadéquats peut se solder par des blessures.
- r) **Toujours se servir de la poignée latérale. La fixer solidement.** La poignée latérale doit être utilisée pour maîtriser l'outil en tout temps

## L'effet de rebond et avertissements connexes

L'effet de rebond est une réaction soudaine d'une meule, d'un tampon, d'une brosse ou d'un tout autre accessoire, en mouvement, qui est pincé ou qui s'accroche. Un pincement ou un accrochage provoque un arrêt rapide de l'accessoire en mouvement qui, à son tour, projette l'outil électrique, hors de

maîtrise, dans la direction opposée à la rotation de l'outil au point de grippage.

Par exemple, si une meule abrasive se pince ou s'accroche dans la pièce, le bord de la meule introduite au point de pincement peut mordre dans la surface de la pièce et projeter la meule hors de la rainure. La meule peut être projetée vers l'opérateur ou dans la direction opposée selon le sens de rotation de la meule au point de pincement. Il est également possible que les meules abrasives se brisent dans ces conditions.

Un effet de rebond est le résultat d'une mauvaise utilisation de l'outil et/ou de procédures ou conditions de fonctionnement incorrectes. Il peut être évité en prenant les précautions nécessaires telles que décrites ci-dessous :

- a) **Saisir fermement l'outil électrique et positionner le corps et les bras de sorte à résister à la force de l'effet de rebond. Utiliser toujours la poignée auxiliaire, s'il y en a une, pour contrôler au maximum l'effet de rebond ou le couple de réaction au démarrage.** Avec de bonnes précautions, l'opérateur est en mesure de contrôler le couple de réaction ou l'effet de rebond.
- b) **Ne jamais placer les mains près de l'accessoire en mouvement.** Il pourrait en effet être projeté sur celles-ci en cas de rebond.
- c) **Ne pas positionner le corps dans la trajectoire probable de l'outil électrique, en cas de rebond.** Au moment du grippage, l'outil sera projeté dans la direction opposée au déplacement de la meule.
- d) **Être particulièrement attentif lors de travaux dans un coin, sur des bords tranchants, etc. Éviter de faire rebondir l'accessoire. Éviter tout type de grippage de l'accessoire.** Un travail dans un coin ou sur des bords tranchants ou un travail en faisant rebondir l'accessoire provoquent souvent un grippage et une perte de maîtrise de l'outil ou un effet de rebond.
- e) **Ne pas fixer de lame de tronçonneuse pour sculpter le bois ou de lame de scie dentée.** Ces types de lames provoquent des effets de rebond et des pertes de maîtrise fréquents.

## Avertissements de sécurité spécifiques aux opérations de ponçage

- a) **Ne pas utiliser un papier pour disque abrasif excessivement surdimensionné. Respecter les recommandations des fabricants lors de la sélection du papier abrasif. Un papier abrasif plus grand que le plateau de ponçage représente un risque de lacération.** Le papier risque également de s'accrocher, de se déchirer ou de provoquer un effet de rebond.

## Consigne de sécurité supplémentaire



**AVERTISSEMENT :** porter **SYSTEMATIQUÉMENT** des lunettes de protection. Les lunettes courantes NE sont PAS des lunettes de protection. Utiliser aussi un masque antipoussières si la découpe doit en



produire beaucoup. PORTER SYSTÉMATIQUEMENT UN ÉQUIPEMENT DE SÉCURITÉ HOMOLOGUÉ :

- Protection oculaire ANSI Z87.1 (CAN/CSA Z94.3) ;
- Protection auditive ANSI S12.6 (S3.19) ;
- Protection des voies respiratoires NIOSH/OSHA/MSHA.



**AVERTISSEMENT :** les scies, meules, ponceuses, perceuses ou autres outils de construction peuvent produire des poussières contenant des produits chimiques reconnus par l'État californien pour causer cancers, malformations congénitales ou être nocifs au système reproducteur. Parmi ces produits chimiques, on retrouve :

- Le plomb dans les peintures à base de plomb ;
- La silice cristallisée dans les briques et le ciment, ou autres produits de maçonnerie ; et
- L'arsenic et le chrome dans le bois ayant subi un traitement chimique.

Le risque associé à de telles expositions varie selon la fréquence à laquelle on effectue ces travaux. Pour réduire toute exposition à ces produits : travailler dans un endroit bien aéré, en utilisant du matériel de sécurité homologué, tel un masque antipoussières spécialement conçu pour filtrer les particules microscopiques.

- **Limiter toute exposition prolongée avec les poussières provenant du ponçage, sciage, meulage, perçage ou toute autre activité de construction. Porter des vêtements de protection et nettoyer à l'eau savonneuse les parties du corps exposés.** Le fait de laisser la poussière pénétrer dans la bouche, les yeux ou la peau peut favoriser l'absorption de produits chimiques dangereux.



**AVERTISSEMENT :** cet outil peut produire et/ou répandre de la poussière susceptible de causer des dommages sérieux et permanents au système respiratoire. Utiliser systématiquement un appareil de protection des voies respiratoires homologué par le NIOSH ou l'OSHA. Diriger les particules dans le sens opposé au visage et au corps.



**AVERTISSEMENT :** pendant l'utilisation, porter systématiquement une protection auditive individuelle adéquate homologuée ANSI S12.6 (S3.19). Sous certaines conditions et suivant la durée d'utilisation, le bruit émanant de ce produit pourrait contribuer à une perte de l'acuité auditive.



**ATTENTION :** après utilisation, ranger l'outil sur son côté, sur une surface stable, là où il ne pourra ni faire trébucher ni faire chuter quelqu'un. Certains outils équipés d'un large bloc-piles peuvent tenir à la verticale sur celui-ci, mais manquent alors de stabilité.

- **Ne jamais utiliser cet outil électrique pour le meulage, le brossage métallique, le polissage ou la découpe.**
- **Prendre des précautions à proximité des événements, car ils cachent des pièces mobiles.** Vêtements amples,

bijoux ou cheveux longs risquent de rester coincés dans ces pièces mobiles.

- **Pour la sécurité de l'utilisateur, utiliser une rallonge de calibre adéquat (AWG, American Wire Gauge [calibrage américain normalisé des fils électriques]).** Plus le calibre est petit, et plus sa capacité est grande. Un calibre 16, par exemple, a une capacité supérieure à un calibre 18. L'usage d'une rallonge de calibre insuffisant causera une chute de tension qui entraînera perte de puissance et surchauffe. Si plus d'une rallonge est utilisée pour obtenir une certaine longueur, s'assurer que chaque rallonge présente au moins le calibre de fil minimum. Le tableau ci-dessous illustre les calibres à utiliser selon la longueur de rallonge et l'intensité nominale indiquée sur la plaque signalétique. En cas de doute, utiliser le calibre suivant. Plus le calibre est petit, plus la rallonge peut supporter de courant.

**Calibre minimum pour les cordons d'alimentation**

Volts		Longueur totale du cordon d'alimentation en mètre (pieds)			
120 V	7,6 (25)	15,2 (50)	30,5 (100)	45,7 (150)	
240 V	15,2 (50)	30,5 (100)	61,0 (200)	91,4 (300)	
Ampères		AWG			
Plus que	Pas plus que				
0	6	18	16	16	14
6	10	18	16	14	12
10	12	16	16	14	12
12	16	14	12	Non recommandé	

L'étiquette apposée sur votre outil peut inclure les symboles suivants. Les symboles et leur définition sont indiqués ci-après :

- V ..... volts
- Hz ..... hertz
- min ..... minutes
- or DC..... courant continu
- Ⓢ ..... fabrication classe I (mis à la terre)
- Ⓣ ..... fabrication classe II (double isolation)
- ... /min..... par minute
- BPM ..... battements par minute
- IPM ..... impacts par minute
- RPM ..... revolutions per minute
- sfpM ..... pieds linéaires par minute (plpm)
- SPM (FPM) ..... fréquence par minute
- A ..... ampères
- W ..... watts
- ~ or AC..... courant alternatif
- Ⓢ or AC/DC... courant alternatif ou continu
- Ⓢ ..... fabrication classe II (double isolation)
- n<sub>0</sub> ..... vitesse à vide
- n ..... vitesse nominale
- Ⓢ ..... borne de terre
- ⚠ ..... symbole d'avertissement
- ☠ ..... radiation visible
- 👤 ..... protection respiratoire
- 👁 ..... protection oculaire
- 👂 ..... protection auditive
- 📖 ..... lire toute la documentation

**Règles de sécurité supplémentaires pour l'élimination de la peinture**

- **Le ponçage d'une peinture au plomb N'EST PAS RECOMMANDÉ** en raison des difficultés entourant le contrôle de la poussière contaminée. Le danger le plus important d'empoisonnement au plomb touche les enfants et les femmes enceintes.



## FRANÇAIS

- *Étant donné qu'il est difficile d'identifier si une peinture contient ou non du plomb sans une analyse chimique, nous recommandons de suivre les précautions suivantes lors du ponçage d'une peinture.*

### Sécurité personnelle

- *Les enfants et les femmes enceintes ne devraient pas entrer dans une zone de travail où se fait le ponçage de la peinture avant que la zone n'ait été entièrement nettoyée.*
- *Toutes les personnes entrant dans la zone de travail doivent porter un masque antipoussières ou un respirateur. Le filtre doit être remplacé chaque jour ou dès que la personne qui le porte éprouve de la difficulté à respirer. Consulter la quincaillerie de la région pour obtenir un masque antipoussières approuvé par la NIOSH.*
- *NE PAS MANGER, NI BOIRE, NI FUMER dans la zone de travail pour empêcher toute ingestion de particules contaminées de peinture. Les travailleurs doivent se laver les mains AVANT de manger, de boire ou de fumer. Ne pas laisser de nourriture, de boissons ou d'articles de fumeur dans la zone de travail où ils risquent de recevoir de la poussière.*

### Respect de l'environnement

- *La peinture doit être enlevée de façon à minimiser la quantité de poussière produite.*
- *Les zones où la peinture est enlevée doivent être scellées avec des feuilles de plastique d'une épaisseur de 101,6 µm (4 mils).*
- *Le ponçage doit se faire de façon à réduire le repérage de la poussière de peinture à l'extérieur de la zone de travail.*

### Nettoyage et élimination

- *Toutes les surfaces de la zone de travail doivent être nettoyées à fond à l'aide d'un aspirateur, et ce, chaque jour, pour la durée du projet de ponçage. Il faut changer régulièrement les sacs-filtres pour aspirateur.*
- *Les toiles de peinture en plastique doivent être rassemblées et mises au rebut avec les particules de poussière ou tout autre débris d'enlèvement. Il faut les placer dans des récipients à rebut étanches et les éliminer par la collecte des ordures ménagères. Pendant le nettoyage, les enfants et les femmes enceintes doivent éviter de se trouver dans la zone immédiate de travail.*
- *Tous les jouets, meubles lavables et les ustensiles utilisés par les enfants doivent être nettoyés à fond avant de les utiliser de nouveau.*

### CONSERVER CES CONSIGNES POUR UTILISATION ULTÉRIEURE

### Moteur

S'assurer que le bloc d'alimentation est compatible avec l'inscription de la plaque signalétique. Une diminution de tension de plus de 10 % provoquera une perte de puissance et une surchauffe. Les outils DeWALT sont testés en usine ; si cet outil ne fonctionne pas, vérifier l'alimentation électrique.

### DESCRIPTION (FIG. A)



**AVERTISSEMENT :** ne jamais modifier l'outil électrique ni aucun de ses composants, car il y a risques de dommages corporels ou matériels.

Reportez-vous en figure A au début de ce manuel pour obtenir la liste complète des composants.

### USAGE PRÉVU

Cette ponceuse a été conçue pour le ponçage professionnel de surfaces solides comme le bois, le métal, la fibre de verre, les plastiques et les peintures.

**NE PAS** les utiliser en milieu ambiant humide ou en présence de liquides ou de gaz inflammables.

Ces ponceuses industrielles sont des outils de professionnels. **NE PAS** le laisser à la portée des enfants. Une supervision est nécessaire auprès de tout utilisateur non expérimenté.

### Interrupteur (Fig. A)

La vitesse variable de l'outil est commandée de deux façons, soit en utilisant le bouton de réglage de la vitesse **5** ou l'interrupteur à gâchette **6**.

### Variateur de vitesse

En tournant le variateur de vitesse **5** dans une direction ou l'autre, la vitesse maximum, ou tours par minute, que la ponceuse peut atteindre est réglée. Le variateur de vitesse ajuste la vitesse de rotation du tampon d'environ 4100 rpm.

### Gâchette

Alors que l'on appuie sur la gâchette, la rotation augmente continuellement, mais sans excéder le réglage maximum du variateur de vitesse. Alors que la gâchette est relâchée, les révolutions par minute de la ponceuse diminuent. *ed*, the sander head revolutions per minute are reduced.

### ASSEMBLAGE ET AJUSTEMENTS



**AVERTISSEMENT :** pour réduire le risque de blessures graves, éteindre l'outil et retirer le débrancher avant d'effectuer tout réglage et d'enlever ou d'installer tout accessoire. Un démarrage accidentel peut provoquer des blessures.

### Installation de la poignée latérale (Fig. A)

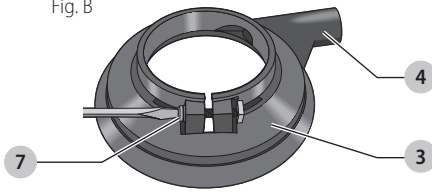
La poignée latérale **2** peut être installée sur l'un ou l'autre côté du boîtier dans les orifices filetés. Avant utilisation de l'outil, vérifiez que la poignée est solidement arrimée.

Cette poignée devrait être utilisée systématiquement pour conserver le contrôle intégral de l'outil.

### Installation du dispositif anti-poussière (Fig. B–D)

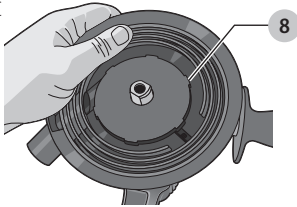
1. Desserrez la vis **7** sur le dispositif anti-poussière **3**. Ne retirez pas la vis ou l'écrou.

Fig. B



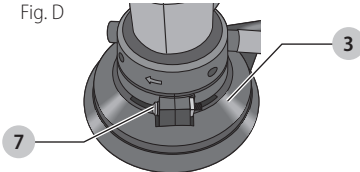
2. Faites glisser le dispositif anti-poussière sur le boîtier de la ponceuse.
3. Alors que la ponceuse est posée sur une surface stable, maintenez le dispositif anti-poussière **3** par la buse de dépolluissage **4** et poussez ce côté du dispositif sur les encoches **8**. Puis effectuez un mouvement circulaire et enfoncez le dispositif sur les encoches restantes.

Fig. C



4. Assurez-vous que le dispositif anti-poussière **3** est bien fixé sur le boîtier de la ponceuse puis resserrez la vis **7** de façon à ce que le dispositif ne bouge plus lorsque l'outil sera mis en marche. Attention à ne pas trop serrer.

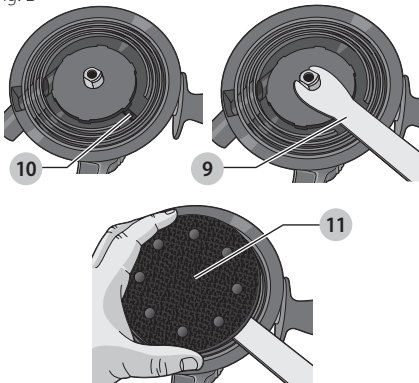
Fig. D



### Installation d'un tampon ponceur (Fig. E)

1. Placez la clé **9** fournie avec l'outil sur la broche. Tournez et alignez la clé sur les déflecteurs du dispositif anti-poussière **10**.
2. Tout en maintenant la broche à l'aide de la clé, placez un tampon ponceur **11** sur la broche puis tournez vers la droite pour resserrer à fond.

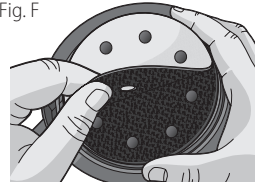
Fig. E



### Installation d'une meule abrasive (Fig. F)

Utilisez des meules abrasives de 127 mm (5 po) à 8 trous de dépolluissage qui se rattachent à la ponceuse par crochet et boucle.

Fig. F



1. Tournez la ponceuse de façon à ce que le tampon ponceur soit sur le dessus.
2. Éliminez toute poussière de la surface du tampon à crochet et boucle.
3. Maintenez le tampon d'une main pour l'empêcher de tourner.
4. De l'autre main, alignez les trous et placez le disque directement sur le tampon.

**REMARQUE :** ne pas utiliser d'écran de ponçage (les écrans utilisés pour poncer les cloisons sèches) directement sur un tampon à crochet et boucle. L'écran ne tiendrait pas et endommagerait les crochets du tampon. Les crochets s'useraient très rapidement si laissés en contact avec la surface à travailler pendant le fonctionnement de l'outil.

### UTILISATION



**AVERTISSEMENT :** pour réduire le risque de blessures graves, éteindre l'outil et retirer le débrancher avant d'effectuer tout réglage et d'enlever ou d'installer tout accessoire. Un démarrage accidentel peut provoquer des blessures.

### Position correcte des mains (Fig. G)



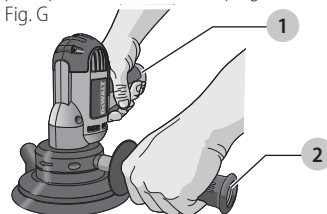
**AVERTISSEMENT :** pour réduire tout risque de dommages corporels graves, adopter **SYSTÉMATIQUEMENT** la position des mains illustrée.



**AVERTISSEMENT :** pour réduire tout risque de dommages corporels graves, maintenir **SYSTÉMATIQUEMENT** l'outil fermement pour anticiper toute réaction soudaine.

La position correcte des mains requiert une main sous la poignée principale **1** et l'autre sur la poignée latérale **2**.

Fig. G



## Dépoussiérage (Fig. A)

**⚠ AVERTISSEMENT : pour réduire le risque de blessures, éteindre l'appareil et le débrancher avant d'installer ou de retirer tout accessoire et avant d'effectuer des réglages ou des réparations.** S'assurer que l'interrupteur est en position d'ARRÊT. Un démarrage accidentel peut provoquer des blessures.

**⚠ AVERTISSEMENT : pour réduire le risque de blessures corporelles graves, NE JAMAIS faire fonctionner cet outil avec du papier perforé à moins que le système de dépoussiérage soit en place.**

**⚠ AVERTISSEMENT : vider souvent le dépoussiéreur, particulièrement lors du ponçage de surfaces enduites de matières à base de résine comme du polyuréthane, du vernis, du vernis à la gomme laque, etc. Éliminer les particules de poussière enduites de produit selon les recommandations du fabricant du fini ou les amasser dans une boîte de métal avec un couvercle bien ajusté. Les retirer des lieux quotidiennement. L'accumulation de particules fines de poussière risque de s'enflammer spontanément et provoquer un incendie.**

Rattachez le tuyau de l'aspirateur sur la buse de dépoussiérage 4.

## Utilisation de la ponceuse (Fig. G)

Pour utiliser la ponceuse, saisissez-la comme illustré en figure G. Maintenez l'outil fermement et mettez-le en marche. Appliquez le disque abrasif sur la pièce à travailler juste par pressions légères. Vérifiez souvent les progrès du travail. Cette ponceuse est capable de poncer le matériau rapidement, surtout avec du papier à gros grains.

Pour le meilleur fini possible, commencez avec un papier abrasif à gros grains puis passez graduellement à du papier de plus en plus fin. Passez l'aspirateur et nettoyez la surface avec un tampon gras entre chaque étape.

Pour le ponçage des surfaces peintes (se reporter à la section **Règles de sécurité supplémentaires pour l'élimination de la peinture**), il se pourra que le papier de verre s'encrasse avec la peinture. Un pistolet à air chaud conviendra mieux pour retirer la peinture avant le ponçage. Suivez toutes les consignes de sécurité incluses dans le manuel du pistolet thermique.

## MAINTENANCE

**⚠ AVERTISSEMENT : pour réduire le risque de blessures graves, éteindre l'outil et retirer le débrancher avant d'effectuer tout réglage et d'enlever ou d'installer tout accessoire.** Un démarrage accidentel peut provoquer des blessures.

## Nettoyage

**⚠ AVERTISSEMENT : enlever les saletés et la poussière hors des événements au moyen d'air comprimé propre et sec, au moins une fois par semaine. Pour minimiser le risque de blessure aux yeux, toujours porter une**

protection oculaire conforme à la norme ANSI Z87.1 lors du nettoyage.

**⚠ AVERTISSEMENT : ne jamais utiliser de solvants ni d'autres produits chimiques puissants pour nettoyer les pièces non métalliques de l'outil. Ces produits chimiques peuvent affaiblir les matériaux de plastique utilisés dans ces pièces. Utiliser un chiffon humecté uniquement d'eau et de savon doux. Ne jamais laisser de liquide pénétrer dans l'outil et n'immerger aucune partie de l'outil dans un liquide.**

## Accessoires

**⚠ AVERTISSEMENT : puisque les accessoires autres que ceux offerts par DeWALT n'ont pas été testés avec ce produit, leur utilisation pourrait s'avérer dangereuse. Pour réduire le risque de blessures, utiliser exclusivement les accessoires DeWALT recommandés avec le présent produit.**

Les accessoires recommandés pour cet outil sont vendus séparément au centre de service de votre région. Pour obtenir de l'aide concernant l'achat d'un accessoire, communiquer avec DeWALT Industrial Tool Co., 701 East Joppa Road, Towson, MD 21286 aux États-Unis; composer le 1 800 433-9258 (1 800 4-DeWALT) ou visiter notre site Web : [www.dewalt.com](http://www.dewalt.com).

## Réparations

Le chargeur et le bloc-piles ne sont pas réparables.

**⚠ AVERTISSEMENT : pour assurer la SÉCURITÉ et la FIABILITÉ du produit, les réparations, l'entretien et les réglages doivent être réalisés (cela comprend l'inspection et le remplacement du balai) par un centre de réparation en usine DeWALT ou un centre de réparation agréé DeWALT. Toujours utiliser des pièces de rechange identiques.**

## Registre en ligne

Merci pour votre achat. Enregistrez dès maintenant votre produit :

- **RÉPARATIONS SOUS GARANTIE :** cette carte remplie vous permettra de vous prévaloir du service de réparations sous garantie de façon plus efficace dans le cas d'un problème avec le produit.
- **CONFIRMATION DE PROPRIÉTÉ :** en cas de perte provoquée par un incendie, une inondation ou un vol, cette preuve de propriété vous servira de preuve auprès de votre compagnie d'assurances.
- **SÉCURITÉ :** l'enregistrement de votre produit nous permettra de communiquer avec vous dans l'éventualité peu probable de l'envoi d'un avis de sécurité régi par la loi fédérale américaine de la protection des consommateurs.

Registrez en ligne à [www.dewalt.com/register](http://www.dewalt.com/register).

## Garantie limitée de trois ans

DeWALT réparera, sans frais, tout produit défectueux causé par un défaut de matériel ou de fabrication pour une période de trois ans à compter de la date d'achat. La présente garantie ne couvre pas les pièces dont la

défectuosité a été causée par une usure normale ou l'usage abusif de l'outil. Pour obtenir de plus amples renseignements sur les pièces ou les réparations couvertes par la présente garantie, visiter le site [www.dewalt.com](http://www.dewalt.com) ou composer le 1 800 433-9258 (1 800 4-DeWALT). Cette garantie ne s'applique pas aux accessoires et ne vise pas les dommages causés par des réparations effectuées par un tiers. Cette garantie confère des droits légaux particuliers à l'acheteur, mais celui-ci pourrait aussi bénéficier d'autres droits variant d'un état ou d'une province à l'autre. En plus de la présente garantie, les outils DeWALT sont couverts par notre :

#### CONTRAT D'ENTRETIEN GRATUIT D'UN AN

DeWALT entretiendra l'outil et remplacera les pièces usées au cours d'une utilisation normale et ce, gratuitement, pendant une période d'un an à compter de la date d'achat.

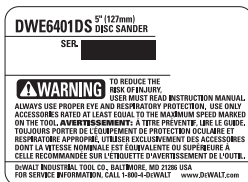
#### GARANTIE DE REMBOURSEMENT DE 90 JOURS

Si l'acheteur n'est pas entièrement satisfait, pour quelque raison que ce soit, du rendement de l'outil électrique, du laser ou de la cloueuse DeWALT, celui-ci peut le retourner, accompagné d'un reçu, dans les 90 jours à compter de la date d'achat pour obtenir un remboursement intégral, sans aucun problème.

**AMÉRIQUE LATINE :** cette garantie ne s'applique aux produits vendus en Amérique latine. Pour ceux-ci, veuillez consulter les informations relatives à la garantie spécifique présente dans l'emballage, appeler l'entreprise locale ou consulter le site Web pour les informations relatives à cette garantie.

#### REPLACEMENT GRATUIT DES ÉTIQUETTES

**D'AVERTISSEMENT :** si les étiquettes d'avertissement deviennent illisibles ou sont manquantes, composer le 1 800 433-9258 (1 800 4-DeWALT) pour en obtenir le remplacement gratuit.



**AVERTISSEMENT:** PARA EL MANEJO SEGURO LEA EL MANUAL DE INSTRUCCIONES. UTILICE SIEMPRE LA PROTECCIÓN ADECUADA PARA LA VISTA Y PARA LAS VÍAS RESPIRATORIAS. UTILICE SÓLO ACCESORIOS CALIBRADOS PARA UTILIZAR A LA VELOCIDAD MÁXIMA MARCADA EN LA HERRAMIENTA, COMO MÍNIMO.

## Definiciones: Símbolos y palabras de alerta de seguridad

Este manual de instrucciones utiliza los siguientes símbolos y palabras de alerta de seguridad para alertarle de situaciones peligrosas y del riesgo de lesiones corporales o daños materiales.



**PELIGRO:** Indica una situación de peligro inminente que, si no se evita, provocará **la muerte o lesiones graves**.



**ADVERTENCIA:** Indica una situación de peligro potencial que, si no se evita, **podría** provocar **la muerte o lesiones graves**.



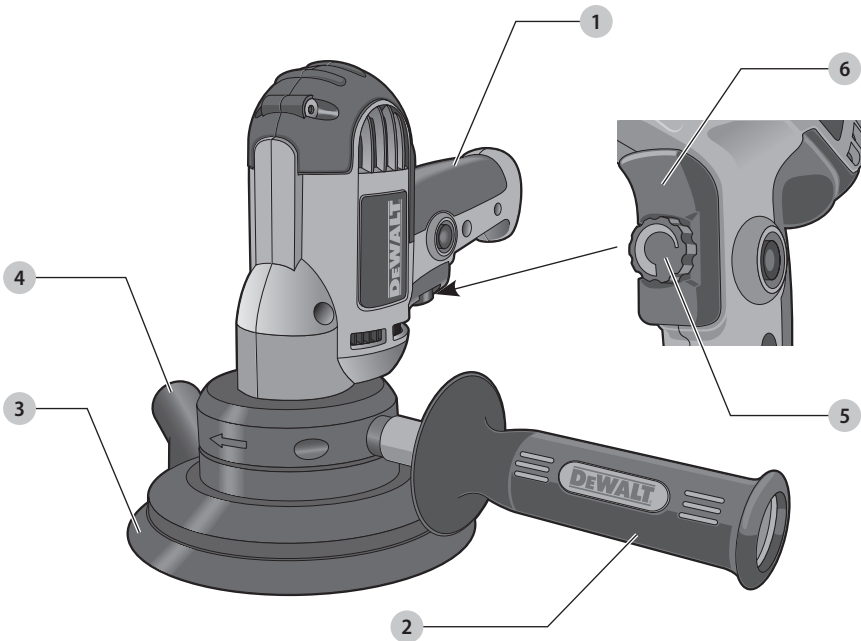
**ATENCIÓN:** Indica una situación de peligro potencial que, si no se evita, **posiblemente** provocaría **lesiones leves o moderadas**.



(Utilizado sin palabras) indica un mensaje de seguridad relacionado.

**AVISO:** Se refiere a una práctica **no relacionada a lesiones corporales** que de no evitarse **puede** resultar en **daños a la propiedad**.

Fig. A



- 1 Agarradera principal
- 2 Salida de polvo
- 3 Agarradera lateral
- 4 Cuadrante de control de velocidad de polvo
- 5 Cubierta recolectora
- 6 Interruptor de gatillo



**¡ADVERTENCIA!** Lea todas las advertencias de seguridad e instrucciones. El incumplimiento de las advertencias e instrucciones puede provocar descargas eléctricas, incendios o lesiones graves.



**ADVERTENCIA:** Para reducir el riesgo de lesiones, lea el manual de instrucciones.

Si tiene alguna duda o algún comentario sobre ésta u otra herramienta DeWALT, llámenos al número gratuito: 1-800-4-DeWALT (1-800-433-9258).

## ADVERTENCIAS GENERALES DE SEGURIDAD PARA HERRAMIENTAS ELÉCTRICAS



**¡ADVERTENCIA!** Lea todas las advertencias de seguridad e instrucciones. El incumplimiento de las advertencias e instrucciones puede provocar descargas eléctricas, incendios o lesiones graves.

### CONSERVE TODAS LAS ADVERTENCIAS E INSTRUCCIONES PARA FUTURAS CONSULTAS

El término "herramienta eléctrica" incluido en las advertencias hace referencia a las herramientas eléctricas operadas con corriente (con cable eléctrico) o a las herramientas eléctricas operadas con baterías (inalámbricas).

#### 1) Seguridad en el Área de Trabajo

- Mantenga el área de trabajo limpia y bien iluminada.** Las áreas abarrotadas y oscuras propician accidentes.
- No opere las herramientas eléctricas en atmósferas explosivas, como ambientes donde haya polvo, gases o líquidos inflamables.** Las herramientas eléctricas originan chispas que pueden encender el polvo o los vapores.
- Mantenga alejados a los niños y a los espectadores de la herramienta eléctrica en funcionamiento.** Las distracciones pueden provocar la pérdida de control.

#### 2) Seguridad Eléctrica

- Los enchufes de la herramienta eléctrica deben adaptarse al tomacorriente. Nunca modifique el enchufe de ninguna manera. No utilice ningún enchufe adaptador con herramientas eléctricas con conexión a tierra.** Los enchufes no modificados y que se adaptan a los tomacorrientes reducirán el riesgo de descarga eléctrica.
- Evite el contacto corporal con superficies con descargas a tierra como, por ejemplo, tuberías, radiadores, cocinas eléctricas y refrigeradores.** Existe mayor riesgo de descarga eléctrica si su cuerpo está puesto a tierra.
- No esponga las herramientas eléctricas a la lluvia o a condiciones de humedad.** Si entra agua a una herramienta eléctrica, aumentará el riesgo de descarga eléctrica.
- No maltrate el cable. Nunca utilice el cable para transportar, tirar o desenchufar la herramienta eléctrica. Mantenga el cable alejado del calor, el aceite, los bordes filosos y las piezas móviles.** Los cables dañados o enredados aumentan el riesgo de descarga eléctrica.
- Al operar una herramienta eléctrica en el exterior, utilice un cable prolongador adecuado para tal uso.** Utilice un cable adecuado para uso en exteriores a fin de reducir el riesgo de descarga eléctrica.
- Si el uso de una herramienta eléctrica en un lugar húmedo es imposible de evitar, utilice**

**un suministro protegido con un interruptor de circuito por falla a tierra (GFCI).** El uso de un GFCI reduce el riesgo de descargas eléctricas.

#### 3) Seguridad Personal

- Permanezca alerta, controle lo que está haciendo y utilice el sentido común cuando emplee una herramienta eléctrica. No utilice una herramienta eléctrica si está cansado o bajo el efecto de drogas, alcohol o medicamentos.** Un momento de descuido mientras se opera una herramienta eléctrica puede provocar lesiones personales graves.
- Utilice equipos de protección personal. Siempre utilice protección para los ojos.** En las condiciones adecuadas, el uso de equipos de protección, como máscaras para polvo, calzado de seguridad antideslizante, cascos o protección auditiva, reducirá las lesiones personales.
- Evite el encendido por accidente. Asegúrese de que el interruptor esté en la posición de apagado antes de conectarlo a la fuente de energía o paquete de baterías, o antes de levantar o transportar la herramienta.** Transportar herramientas eléctricas con el dedo apoyado en el interruptor o enchufar herramientas eléctricas con el interruptor en la posición de encendido puede propiciar accidentes.
- Retire la clavija de ajuste o la llave de tuercas antes de encender la herramienta eléctrica.** Una llave de tuercas o una clavija de ajuste que quede conectada a una pieza giratoria de la herramienta eléctrica puede provocar lesiones personales.
- No se estire. Conserve el equilibrio y párese adecuadamente en todo momento.** Esto permite un mejor control de la herramienta eléctrica en situaciones inesperadas.
- Use la vestimenta adecuada. No use ropas holgadas ni joyas. Mantenga el cabello, la ropa y los guantes alejados de las piezas en movimiento.** Las ropas holgadas, las joyas o el cabello largo pueden quedar atrapados en las piezas en movimiento.
- Si se suministran dispositivos para la conexión de accesorios con fines de recolección y extracción de polvo, asegúrese de que estén conectados y que se utilicen correctamente.** El uso de dispositivos de recolección de polvo puede reducir los peligros relacionados con el polvo.

#### 4) Uso y Mantenimiento de la Herramienta Eléctrica

- No fuerce la herramienta eléctrica. Utilice la herramienta eléctrica correcta para el trabajo que realizará.** Si se la utiliza a la velocidad para la que fue diseñada, la herramienta eléctrica correcta permite trabajar mejor y de manera más segura.
- No utilice la herramienta eléctrica si no puede encenderla o apagarla con el interruptor.** Toda



*herramienta eléctrica que no pueda ser controlada mediante el interruptor es peligrosa y debe repararse.*

- c) **Desconecte el enchufe de la fuente de energía o el paquete de baterías de la herramienta eléctrica antes de realizar ajustes, cambiar accesorios o almacenar la herramienta eléctrica.** Estas medidas de seguridad preventivas reducen el riesgo de encender la herramienta eléctrica en forma accidental.
- d) **Guarde la herramienta eléctrica que no esté en uso fuera del alcance de los niños y no permita que otras personas no familiarizadas con ella o con estas instrucciones operen la herramienta.** Las herramientas eléctricas son peligrosas si son operadas por usuarios no capacitados.
- e) **Realice el mantenimiento de las herramientas eléctricas. Revise que no haya piezas en movimiento mal alineadas o trabadas, piezas rotas o cualquier otra situación que pueda afectar el funcionamiento de la herramienta eléctrica. Si encuentra daños, haga reparar la herramienta eléctrica antes de utilizarla.** Se producen muchos accidentes a causa de las herramientas eléctricas que carecen de un mantenimiento adecuado.
- f) **Mantenga las herramientas de corte afiladas y limpias.** Las herramientas de corte con mantenimiento adecuado y con los bordes de corte afilados son menos propensas a trabarse y son más fáciles de controlar.
- g) **Utilice la herramienta eléctrica, los accesorios y las brocas de la herramienta, etc. de acuerdo con estas instrucciones y teniendo en cuenta las condiciones de trabajo y el trabajo que debe realizarse.** El uso de la herramienta eléctrica para operaciones diferentes de aquéllas para las que fue diseñada podría originar una situación peligrosa.

## 5) Mantenimiento

- a) **Solicite a una persona calificada en reparaciones que realice el mantenimiento de su herramienta eléctrica y que sólo utilice piezas de repuesto idénticas.** Esto garantizará la seguridad de la herramienta eléctrica.

## INSTRUCCIONES DE SEGURIDAD PARA TODAS LAS OPERACIONES

### Advertencias de seguridad comunes para todas las operaciones de esmerilado, lijado, cepillado con cepillo de alambre y pulido, y para operaciones de corte y desbaste abrasivo

- a) **Esta herramienta eléctrica fue diseñada para ser utilizada como lijadora. Lea todas las advertencias de seguridad, instrucciones, ilustraciones y especificaciones incluidas con**

**esta herramienta eléctrica.** El incumplimiento con cualquiera de las instrucciones siguientes puede resultar en descarga eléctrica, incendio y/o lesiones corporales graves.

- b) **No se recomienda realizar operaciones de esmerilado, cepillado metálico, pulido o corte con esta herramienta eléctrica.** El realizar operaciones para las que esta herramienta no ha sido diseñada puede resultar en una situación de peligro y causar lesiones corporales.
- c) **No utilice accesorios que no estén diseñados y recomendados específicamente por el fabricante de la herramienta.** El hecho que el accesorio pueda conectarse a la herramienta eléctrica no garantiza un funcionamiento seguro.
- d) **La velocidad nominal del accesorio debe ser equivalente a la velocidad máxima indicada en la herramienta eléctrica, como mínimo.** Los accesorios que funcionen más rápido que su velocidad nominal pueden romperse y desprenderse.
- e) **El diámetro externo y el grosor del accesorio deben estar dentro del rango de capacidad de la herramienta eléctrica.** Los accesorios de tamaño incorrecto no pueden protegerse ni controlarse adecuadamente.
- f) **El montaje de rosca de los accesorios debe corresponderse con la rosca del eje de la esmeriladora. Para los accesorios montados con bridas, el orificio del eje del accesorio debe ajustarse al diámetro de centrado de la brida.** Los accesorios que no se corresponden con las piezas de montaje de la herramienta eléctrica se desequilibrarán, vibrarán excesivamente y pueden causar pérdida de control.
- g) **No utilice un accesorio dañado. Inspeccione el accesorio antes de cada uso; por ejemplo, el disco abrasivo para verificar que no tenga astillas ni grietas; la almohadilla de respaldo para ver si hay grietas, desprendimientos o desgaste excesivo y el cepillo de alambre para ver si tiene alambres sueltos o quebrados. Si la herramienta eléctrica o el accesorio sufre una caída, inspeccione para ver si hay daños o instale un accesorio en buen estado. Después de inspeccionar e instalar un accesorio, ubíquese y ubique a los espectadores lejos del plano del accesorio giratorio y haga funcionar la herramienta a velocidad máxima sin carga durante un minuto.** Los accesorios dañados generalmente se romperán durante esta prueba.
- h) **Utilice equipos de protección personal. Según la aplicación, debe usar protector facial, anteojos de seguridad o lentes de seguridad. Según corresponda, utilice máscara para polvo, protectores auditivos, guantes y delantal de taller para protegerse de los pequeños fragmentos abrasivos y de los fragmentos de la pieza de trabajo. La protección para los ojos**



**debe ser capaz de detener los residuos volátiles que se generan en las diferentes operaciones. La máscara para polvo o respirador debe ser capaz de filtrar las partículas generadas por el funcionamiento de la herramienta.** La exposición prolongada al ruido intenso puede provocar pérdida de la audición.

- i) **Mantenga a los espectadores a una distancia segura del área de trabajo. Toda persona que ingrese al área de trabajo debe utilizar equipos de protección personal.** Los fragmentos de una pieza de trabajo o de un accesorio roto pueden volar y provocar lesiones más allá del área de operaciones cercana.
- j) **Cuando realice una operación en que el accesorio de corte pueda tocar cables eléctricos ocultos o su propio cable, sostenga la herramienta solamente por las superficies de agarre aisladas.** El contacto con un cable con "corriente eléctrica" hará que las partes metálicas expuestas de la herramienta también tengan "corriente eléctrica" y el operador sufra una descarga.
- k) **Coloque el cable lejos del accesorio giratorio.** Si pierde el control de la herramienta, el cable puede cortarse o enredarse y jalarle la mano o el brazo hacia el accesorio giratorio.
- l) **Nunca apoye la herramienta hasta que el accesorio se haya detenido completamente.** El accesorio giratorio puede enganchar la superficie y producir la pérdida de control de la herramienta.
- m) **No haga funcionar la herramienta eléctrica mientras la carga a su lado.** El contacto accidental con el accesorio giratorio puede hacer que éste se le enganche en la ropa y lance el accesorio hacia su cuerpo.
- n) **Limpie frecuentemente los orificios de ventilación de la herramienta eléctrica.** El ventilador del motor atraerá el polvo dentro de la cubierta, y la acumulación excesiva de polvo metálico puede producir riesgos eléctricos.
- o) **No use la herramienta eléctrica cerca de materiales inflamables.** Las chispas pueden encender estos materiales.
- p) **No utilice accesorios que requieran refrigerantes líquidos.** El uso de agua u otros refrigerantes líquidos puede producir una electrocución o descarga eléctrica.
- q) **No utilice discos Tipo 11 (copas cónicas) en esta herramienta.** El uso de accesorios incorrectos puede producir lesiones.
- r) **Siempre utilice el mango lateral. Ajuste el mango con firmeza.** Se debe utilizar siempre el mango lateral para mantener el control de la herramienta en todo momento.

## El retroceso y otras advertencias al respecto

El retroceso es una reacción repentina al pellizco o atascamiento de un disco giratorio, una almohadilla de respaldo, un cepillo o cualquier otro accesorio. El pellizco o el atascamiento hacen que el accesorio giratorio se trabé rápidamente, lo que a su vez provoca que la herramienta eléctrica fuera de control vaya en sentido opuesto al giro del accesorio en el punto del atascamiento.

Por ejemplo, si la pieza de trabajo atasca o pellizca el disco abrasivo, el borde del disco que ingresa en el punto de pliegue puede clavarse en la superficie del material y provocar que el disco salte o se desenganche. El disco puede saltar hacia el operador o en sentido contrario, según la dirección del movimiento del disco en el punto de pellizco. Los discos abrasivos también se pueden romper en estas condiciones.

El retroceso es el resultado de un mal uso de la herramienta o de condiciones o procedimientos operativos incorrectos y se puede evitar tomando las precauciones apropiadas que se indican a continuación:

- a) **Sostenga la herramienta eléctrica con firmeza y ubique el cuerpo y el brazo para poder resistir las fuerzas de retroceso. Siempre utilice el mango lateral, en caso de tenerlo, para lograr el máximo control sobre el retroceso o la reacción de torsión durante el encendido.** El operador puede controlar la reacción de torsión o las fuerzas de retroceso si toma las precauciones adecuadas.
- b) **Nunca coloque la mano cerca del accesorio giratorio, ya que éste puede hacer un retroceso sobre la mano.**
- c) **No ubique el cuerpo en el área hacia donde la herramienta eléctrica se desplazará si se produce un retroceso.** El retroceso impulsará la herramienta en la dirección opuesta al movimiento del disco en el punto de atascamiento.
- d) **Tenga especial cuidado al trabajar en esquinas, bordes filosos, etc. Evite hacer rebotar o enganchar el accesorio.** Las esquinas, los bordes filosos y el rebote tienden a enganchar el accesorio giratorio y producir la pérdida de control o el retroceso de la unidad.
- e) **No conecte una hoja para carpintería para sierra de cadena ni una hoja de sierra dentada.** Estas hojas pueden producir el retroceso y la pérdida de control frecuentes.

## Advertencias de seguridad específicas para operaciones de lijado

- a) **No utilice papel para disco de lijar con sobreespesor excesivo. Siga las recomendaciones del fabricante al seleccionar el papel de lija.** Los papeles de lija más grandes que sobrepasan la almohadilla de lijado representan un peligro de laceración y pueden provocar el retroceso o que el disco se enganche o se rompa.

## Instrucción Adicional de Seguridad



**ADVERTENCIA:** Use **SIEMPRE** lentes de seguridad. Los anteojos de diario **NO SON** lentes de seguridad. Utilice además una cubrebocas o mascarilla antipolvo si la operación de corte genera demasiado polvo. **SIEMPRE LLEVE EQUIPO DE SEGURIDAD CERTIFICADO:**

- protección ocular ANSI Z87.1 (CAN/CSA Z94.3),
- protección auditiva ANSI S12.6 (S3.19),
- protección respiratoria NIOSH/OSHA/MSHA.



**ADVERTENCIA:** Algunas partículas de polvo generadas al lijar, serrar, esmerilar y taladrar con herramientas eléctricas, así como al realizar otras actividades de construcción, contienen químicos que el Estado de California sabe que pueden producir cáncer, defectos congénitos u otras afecciones reproductivas. Ejemplos de estos químicos son:

- plomo de algunas pinturas en base a plomo,
- polvo de sílice proveniente de ladrillos y cemento y otros productos de albañilería, y
- arsénico y cromo provenientes de madera tratada químicamente.

Su riesgo de exposición a estos químicos varía, dependiendo de la frecuencia con la cual realiza usted este tipo de trabajo. Para reducir su exposición a estas sustancias químicas: trabaje en una zona bien ventilada y llevando equipos de seguridad aprobados, como mascarillas antipolvo especialmente diseñadas para filtrar partículas microscópicas.

- **Evite el contacto prolongado con polvo generado por el lijado, aserrado, pulido, taladrado y otras actividades de construcción. Vista ropas protectoras y lave las áreas de la piel expuestas con agua y jabón.** Si permite que el polvo se introduzca en la boca u ojos o quede sobre la piel, puede favorecer la absorción de productos químicos peligrosos.



**ADVERTENCIA:** La utilización de esta herramienta puede generar polvo o dispersarlo, lo que podría causar daños graves y permanentes al sistema respiratorio, así como otras lesiones. Siempre use protección respiratoria aprobada por NIOSH (Instituto Nacional de Seguridad y Salud en el Trabajo) u OSHA (Administración de Seguridad y Salud en el Trabajo) apropiada para la exposición al polvo. Dirija las partículas en dirección contraria a la cara y el cuerpo.



**ADVERTENCIA:** Siempre lleve la debida protección auditiva personal en conformidad con ANSI S12.6 (S3.19) durante el uso de esta herramienta. Bajo algunas condiciones y duraciones de uso, el ruido producido por este producto puede contribuir a la pérdida auditiva.



**ATENCIÓN:** Cuando no esté en uso, guarde la herramienta apoyada en un costado sobre una superficie estable, donde no interrumpa el paso o provoque una caída. Algunas herramientas con paquetes de baterías de gran tamaño pueden colocarse paradas sobre el paquete de baterías, pero pueden caerse fácilmente.

- **Nunca utilice esta herramienta eléctrica para operaciones de esmerilado, cepillado metálico, pulido o corte.**
- **Los orificios de ventilación suelen cubrir piezas en movimiento, por lo que también se deben evitar.** Las piezas en movimiento pueden atrapar prendas de vestir sueltas, joyas o el cabello largo.
- **Los hilos del alargador deben ser de un calibre apropiado (AWG o American Wire Gauge) para su seguridad.** Mientras menor sea el calibre del hilo, mayor la capacidad del cable. Es decir, un hilo calibre 16 tiene mayor capacidad que uno de 18. Un cable de un calibre insuficiente causará una caída en la tensión de la línea dando por resultado una pérdida de energía y sobrecalentamiento. Cuando se utilice más de un alargador para completar el largo total, asegúrese que los hilos de cada alargador tengan el calibre mínimo. La tabla siguiente muestra el tamaño correcto a utilizar, dependiendo de la longitud del cable y del amperaje nominal de la placa de identificación. Si tiene dudas sobre cuál calibre usar, use un calibre mayor. Cuanto menor sea el número del calibre, más resistente será el cable.

Calibre mínimo de conjuntos de cables

Voltios	Longitud total del cable en pies (metros)				
	120 V	25 (7,6)	50 (15,2)	100 (30,5)	150 (45,7)
240 V	50 (15,2)	100 (30,5)	200 (61,0)	300 (91,4)	
Amperaje nominal	AWG				
	Más de	Más de			
0	6	18	16	16	14
6	10	18	16	14	12
10	12	16	16	14	12
12	16	14	12	Not Recommended	

La etiqueta de su herramienta puede incluir los siguientes símbolos. A continuación se indican los símbolos y sus definiciones:

V .....	voltios		or AC/DC .... corriente alterna o directa
Hz .....	hertz		..... Construcción de Clase II (doble aislamiento)
min .....	minutos	$n_0$ .....	..... velocidad sin carga
	or DC..... direct current	n .....	..... velocidad nominal
	..... Construcción de Clase I (tierra)		..... terminal de conexión a tierra
... /min.....	por minuto		..... símbolo de advertencia de seguridad
BPM .....	golpes por minuto		..... radiación visible
IPM .....	impactos por minuto		..... protección respiratoria
RPM .....	revoluciones por minuto		..... protección ocular
sfpm .....	pies de superficie por minuto		..... protección auditiva
SPM .....	pasadas por minuto		..... lea toda la documentación
A .....	amperios		
W .....	watios		
	or AC..... corriente alterna		

## La seguridad adicional gobierna para la eliminación de pintura

- *NO SE RECOMIENDA* lijar pintura con base plomo debido a la dificultad para controlar el polvo contaminado. El peligro de envenenamiento por plomo es más importante para los niños y las mujeres embarazadas.
- Como es difícil identificar si una pintura contiene o no plomo sin realizar análisis químicos, recomendamos tomar las siguientes precauciones al lijar cualquier pintura:

### Seguridad personal

- Ningún niño o mujer embarazada debe ingresar al área de trabajo donde se lija la pintura hasta que se haya terminado la limpieza final.
- Todas las personas que ingresan al área de trabajo deben usar una máscara para polvo o una mascarilla de respiración. El filtro se debe cambiar diariamente o cada vez que el usuario tenga dificultad para respirar. Consulte en la ferretería local cuál es la máscara para polvo adecuada, aprobada por el NIOSH.
- *NO SE DEBE COMER, BEBER O FUMAR* en el área de trabajo para evitar ingerir partículas de pintura contaminada. Los trabajadores se deben lavar y limpiar ANTES de comer, beber o fumar. No se deben dejar artículos para comer, beber o fumar en el área de trabajo donde se podría depositar polvo sobre ellos.

### Seguridad ambiental

- La pintura debe ser retirada de forma tal de reducir al mínimo la cantidad de polvo generado.
- Las áreas donde se realiza remoción de pintura deben estar selladas con hojas de plástico de 0,10 mm (4 milésimas de pulgada) de espesor.
- El lijado se debe realizar de manera de reducir los vestigios de polvo de pintura fuera del área de trabajo.

### Limpieza y eliminación

- Todas las superficies del área de trabajo deben ser limpiadas cuidadosamente y repasadas con aspiradora todos los días mientras dure el proyecto de lijado. Se deben cambiar con frecuencia las bolsas de filtro de la aspiradora.
- Las telas plásticas del piso se deben recoger y eliminar junto con cualquier resto de polvo u otros residuos del lijado. Deben colocarse en recipientes de desperdicios sellados y eliminarse por medio de los procedimientos normales de recolección de residuos. Durante la limpieza, los niños y las mujeres embarazadas deben mantenerse lejos del área de trabajo inmediata.
- Todos los juguetes, muebles lavables y utensilios utilizados por los niños deben ser lavados cuidadosamente antes de ser utilizados nuevamente.

## GUARDE ESTAS INSTRUCCIONES PARA VOLVER A CONSULTAR EN EL FUTURO

## Motor

Asegúrese de que la fuente de energía concuerde con lo que se indica en la placa. Un descenso en el voltaje de más del 10% producirá una pérdida de potencia y sobrecalentamiento. Todas las herramientas DeWALT son probadas en fábrica; si esta herramienta no funciona, verifique el suministro eléctrico.

## COMPONENTES (FIG. A)



**ADVERTENCIA:** Nunca modifique la herramienta eléctrica, ni tampoco ninguna de sus piezas. Podría producir lesiones corporales o daños.

Consulte la Figura A al principio de este manual para obtener una lista completa de los componentes.

### USO DEBIDO

Esta lijadora fue diseñada para el lijado profesional de material superficiales sólidos como madera, metal, fibra de vidrio, plásticos y pintura.

**NO** utilice la herramienta en condiciones de humedad o en presencia de líquidos o gases inflamables.

Estas lijadoras industriales son herramientas eléctricas profesionales.

**NO** permita que los niños toquen la herramienta. Si el operador no tiene experiencia operando esta herramienta, su uso deberá ser supervisado.

### Conmutador (Fig. A)

La velocidad variable se controla en una de dos formas: con el cuadrante de control de velocidad 5 o con el conmutador tipo gatillo 6.

### Cuadrante de control de velocidad

Al girar el cuadrante de control de velocidad 5 en cualquiera de las dos direcciones, ajustará la velocidad máxima o revoluciones por minuto a la cual la lijadora funcionará. El cuadrante de control de velocidad ajusta la velocidad de rotación de la almohadilla de 4100 rpm, aproximadamente.

### Interruptor de gatillo

Al oprimir el interruptor de gatillo, la velocidad de rotación seguirá aumentando pero no sobrepasará la configuración máxima del cuadrante de control de velocidad. Al soltar el interruptor de gatillo, se reducirán las revoluciones por minuto de rotación del cabezal de la lijadora.

## MONTAJE Y AJUSTES



**ADVERTENCIA:** Para reducir el riesgo de lesiones personales graves, apague la herramienta y desconéctela de la fuente de alimentación antes de realizar ajustes o de retirar/installar dispositivos o accesorios. Un arranque accidental podría causar lesiones.

## Ensamblaje de la agarradera lateral (Fig. A)

La agarradera lateral 2 se puede montar en cualquiera de los dos lados de la caja de la herramienta, en los orificios

## ESPAÑOL

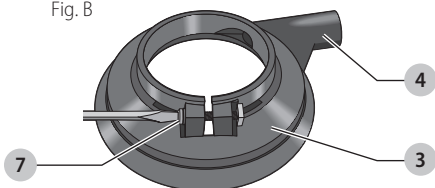
roscados. Antes de usar la herramienta, compruebe que la agarradera esté firmemente ajustada.

Esta agarradera debería ser utilizada en todo momento para mantener el control total de la herramienta.

### Ensamblaje de la cubierta recolectora de polvo (Fig. B–D)

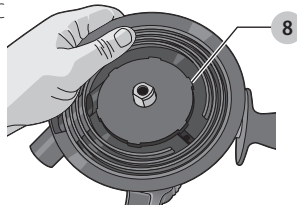
1. Afloje el tornillo **7** de la cubierta recolectora de polvo **3**. No quite el tornillo o la tuerca.

Fig. B



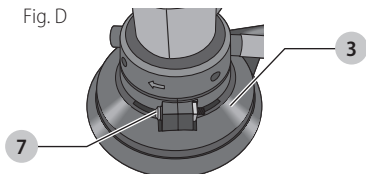
2. Deslice la cubierta recolectora de polvo sobre el cuerpo de la lijadora para instalarla.
3. Con la lijadora sobre una superficie estable, sostenga la cubierta recolectora de polvo **3** por la salida de polvo **4** y empuje este lado de la cubierta sobre las hendiduras **8**. Luego trabaje en un movimiento circular, empujando la cubierta sobre las hendiduras restantes.

Fig. C



4. Verifique que la cubierta recolectora de polvo **3** esté debidamente asentada contra el cuerpo de la lijadora y ajuste el tornillo **7** de modo que la cubierta no se mueva cuando la herramienta esté encendida. No ajuste excesivamente.

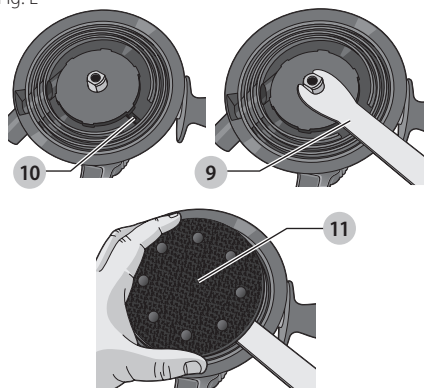
Fig. D



### Ensamblaje de la almohadilla de lijado (Fig. E)

1. Ponga la llave incluida **9** en el eje. Rote y alinee la llave con los deflectores de la cubierta recolectora de polvo **10**.
2. Mientras sujeta el huso con la llave, coloque la almohadilla de lijado **11** en el huso y rote en dirección horaria hasta ajustar.

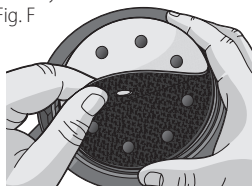
Fig. E



### Conexión del disco abrasivo (Fig. F)

Use discos de lijado de 127 mm (5") con un patrón de extracción de polvo de 8 orificios, que se instalan en la lijadora con gancho y lazo.

Fig. F



1. Ponga la lijadora boca abajo para que la almohadilla de lijado quede hacia arriba.
2. Limpie el polvo de la cara de la almohadilla con gancho y lazo.
3. Sujete la almohadilla con una mano para que no gire.
4. Con la otra mano, alinee los huecos y ponga el disco directamente sobre la almohadilla.

**NOTA:** No utilice pantallas de lijado (por ejemplo las pantallas usadas para lijar tablarroca) directamente sobre la almohadilla de gancho y lazo. La pantalla no aguantaría y dañaría los ganchos de la almohadilla. Los ganchos de la almohadilla se desgastarán muy rápidamente si se dejan en contacto con la superficie de trabajo con la herramienta funcionando.

### OPERACIÓN

**⚠ ADVERTENCIA:** Para reducir el riesgo de lesiones personales graves, apague la herramienta y desconéctela de la fuente de alimentación antes de realizar ajustes o de retirar/instalar dispositivos o accesorios. Un arranque accidental podría causar lesiones.

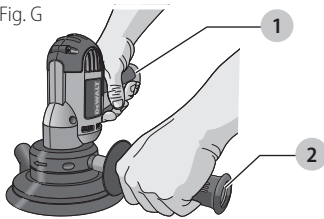
### Posición adecuada de las manos (Fig. G)

**⚠ ADVERTENCIA:** Para reducir el riesgo de lesión personal grave, tenga **SIEMPRE** las manos en una posición adecuada como se muestra.

**⚠ ADVERTENCIA:** Para reducir el riesgo de lesión personal grave, sujete **SIEMPRE** bien en caso de que haya una reacción repentina.

Mantenga una mano sobre la agarradera principal **1** y la otra sobre la agarradera lateral **2** para sujetar la herramienta correctamente.

Fig. G



## Recolección de polvo (Fig. A)

**ADVERTENCIA:** Para reducir el riesgo de lesiones, apague la unidad y desconéctela de la fuente de alimentación antes de instalar o retirar accesorios, ajustar o cambiar configuraciones o realizar reparaciones. Asegúrese de que el interruptor esté en la posición apagado (OFF). Un arranque accidental podría causar lesiones.

**ADVERTENCIA:** Para reducir el riesgo de lesión personal grave, NUNCA haga funcionar esta herramienta con papel perforado, a menos que el sistema para la recolección del polvo esté en su lugar.

**ADVERTENCIA:** Vacíe el sistema de recolección de polvo en forma frecuente, en especial cuando lije superficies recubiertas de resina como poliuretano, barniz, laca, etc. Elimine las partículas de polvo de revestimiento de acuerdo con las normas del fabricante de acabado o colóquelas en un envase de metal con una tapa metálica de cierre hermético. Retire las partículas de polvo de revestimiento de las instalaciones diariamente. La acumulación de partículas de polvo de lijado fino puede encenderse espontáneamente y provocar un incendio.

Conecte la manguera de aspiración a la salida de polvo **4**.

## Uso de la lijadora (Fig. G)

Para operar su lijadora, sosténgala de la forma ilustrada en la Figura G. Sostenga firmemente la herramienta y enciéndala. Aplique el disco de lijado a la pieza de trabajo y sólo aplique una presión ligera. Recuerde revisar cómo va quedando su trabajo con frecuencia. Esta lijadora es capaz de rápidamente remover materiales, especialmente si se utiliza con un papel áspero.

Para que el acabado sea el mejor posible, empiece con papel de lija grueso y cambie progresivamente a otros papeles cada vez más finos. Aspire y pase un paño de adherencia sobre la superficie cada vez que cambie el papel.

Cuando lije superficies pintadas (ver **La seguridad adicional gobierna para la eliminación de pintura**), verá que el papel de lija se llena de pintura. Es mucho mejor usar una pistola térmica para remover la pintura antes de lijar. Siga todas

## MANTENIMIENTO

**ADVERTENCIA:** Para reducir el riesgo de lesiones personales graves, apague la herramienta y desconéctela de la fuente de alimentación antes de realizar ajustes o de retirar/installar dispositivos o accesorios. Un arranque accidental podría causar lesiones.

## Limpeza

**ADVERTENCIA:** Sople la suciedad y el polvo de todos los conductos de ventilación con aire seco, al menos una vez por semana. Para reducir el riesgo de lesiones, utilice siempre protección para los ojos aprobada ANSI Z87.1 al realizar esta tarea.

**ADVERTENCIA:** Nunca utilice solventes ni otros químicos abrasivos para limpiar las piezas no metálicas de la herramienta. Estos productos químicos pueden debilitar los materiales plásticos utilizados en estas piezas. Utilice un paño humedecido sólo con agua y jabón neutro. Nunca permita que penetre líquido dentro de la herramienta ni sumerja ninguna de las piezas en un líquido.

## Accesorios

**ADVERTENCIA:** Debido a que no se han probado con este producto otros accesorios que no sean los que ofrece DeWALT., el uso de dichos accesorios con esta herramienta podría ser peligroso. Para reducir el riesgo de lesiones, con este producto deben usarse sólo los accesorios recomendados por DeWALT.

Los accesorios que se recomiendan para utilizar con la herramienta están disponibles a un costo adicional en su distribuidor local o en un centro de mantenimiento autorizado. Si necesita ayuda para localizar algún accesorio, póngase en contacto con DeWALT Industrial Tool Co., 701 East Joppa Road, Towson, MD 21286, llame al 1-800-4-DeWALT (1-800-433-9258) o visite nuestro sitio web: [www.dewalt.com](http://www.dewalt.com).

## Reparaciones

El cargador y las unidades de batería no pueden ser reparados.

**ADVERTENCIA:** Para asegurar la SEGURIDAD y la CONFIABILIDAD del producto, las reparaciones, el mantenimiento y los ajustes deben (inclusive inspección y cambio de carbones) ser realizados en un centro de mantenimiento en la fábrica DeWALT u en un centro de mantenimiento autorizado DeWALT. Utilice siempre piezas de repuesto idénticas.

**Para reparación y servicio de sus herramientas eléctricas, favor de dirigirse al Centro de Servicio más cercano**

## ESPAÑOL

### CULIACAN, SIN

Bldv.Emiliano Zapata 5400-1 Poniente Col. (667) 717 89 99  
San Rafael

### GUADALAJARA, JAL

Av. La Paz #1779 - Col. Americana Sector (33) 3825 6978  
Juárez

### MEXICO, D.F.

Eje Central Lázaro Cárdenas No. 18 - Local (55) 5588 9377  
D, Col. Obrera

### MERIDA, YUC

Calle 63 #459-A - Col. Centro (999) 928 5038

### MONTERREY, N.L.

Av. Francisco I. Madero 831 Poniente - Col. (818) 375 23 13  
Centro

### PUEBLA, PUE

17 Norte #205 - Col. Centro (222) 246 3714

### QUERETARO, QRO

Av. San Roque 274 - Col. San Gregorio (442) 2 17 63 14

### SAN LUIS POTOSI, SLP

Av. Universidad 1525 - Col. San Luis (444) 814 2383

### TORREON, COAH

Bldv. Independencia, 96 Pte. - Col. Centro (871) 716 5265

### VERACRUZ, VER

Prolongación Díaz Mirón #4280 - Col. (229) 921 7016  
Remes

### VILLAHERMOSA, TAB

Constitución 516-A - Col. Centro (993) 312 5111

#### PARA OTRAS LOCALIDADES:

**Si se encuentra en México, por favor llame al  
(55) 5326 7100**

**Si se encuentra en U.S., por favor llame al  
1-800-433-9258 (1-800 4-DeWALT)**

## Póliza de Garantía

### IDENTIFICACIÓN DEL PRODUCTO:

Sello o firma del Distribuidor.

Nombre del producto: \_\_\_\_\_

Mod./Cat.: \_\_\_\_\_

Marca: \_\_\_\_\_

Núm. de serie: \_\_\_\_\_

(Datos para ser llenados por el distribuidor)

Fecha de compra y/o entrega del producto:

Nombre y domicilio del distribuidor donde se adquirió  
el producto:

Este producto está garantizado por un año a partir de la fecha de entrega, contra cualquier defecto en su funcionamiento, así como en materiales y mano de obra empleados para su fabricación. Nuestra garantía incluye la reparación o reposición del producto y/o componentes

sin cargo alguno para el cliente, incluyendo mano de obra, así como los gastos de transportación razonablemente erogados derivados del cumplimiento de este certificado.

Para hacer efectiva esta garantía deberá presentar su herramienta y esta póliza sellada por el establecimiento comercial donde se adquirió el producto, de no contar con ésta, bastará la factura de compra.

## Excepciones

Esta garantía no será válida en los siguientes casos:

- Cuando el producto se hubiese utilizado en condiciones distintas a las normales;
- Cuando el producto no hubiese sido operado de acuerdo con el instructivo de uso que se acompaña;
- Cuando el producto hubiese sido alterado o reparado por personas distintas a las enlistadas al final de este certificado.

Anexo encontrará una relación de sucursales de servicio de fábrica, centros de servicio autorizados y franquiciados en la República Mexicana, donde podrá hacer efectiva su garantía y adquirir partes, refacciones y accesorios originales.

## Registro en línea

Gracias por su compra. Registre su producto ahora para:

- **SERVICIO EN GARANTÍA:** Si completa esta tarjeta, podrá obtener un servicio en garantía más eficiente, en caso de que exista un problema con su producto.
- **CONFIRMACIÓN DE PROPIEDAD:** En caso de una pérdida que cubra el seguro, como un incendio, una inundación o un robo, el registro de propiedad servirá como comprobante de compra.
- **PARA SU SEGURIDAD:** Si registra el producto, podremos comunicarnos con usted en el caso improbable que se deba enviar una notificación de seguridad conforme a la Federal Consumer Safety Act (Ley Federal de Seguridad de Productos para el Consumidor).

Registro en línea en [www.dewalt.com/register](http://www.dewalt.com/register).

## Garantía limitada por tres años

DeWALT reparará, sin cargo, cualquier falla que surja de defectos en el material o la fabricación del producto, por hasta tres años a contar de la fecha de compra. Esta garantía no cubre fallas de las piezas causadas por su desgaste normal o abuso a la herramienta. Para mayores detalles sobre la cobertura de la garantía e información acerca de reparaciones realizadas bajo garantía, visítenos en [www.dewalt.com](http://www.dewalt.com) o diríjase al centro de servicio más cercano. Esta garantía no aplica a accesorios o a daños causados por reparaciones realizadas o intentadas por terceros. Esta garantía le otorga derechos legales específicos, además de los cuales puede tener otros dependiendo del estado o la provincia en que se encuentre. Además de la garantía, las herramientas DeWALT están cubiertas por:

### 1 AÑO DE SERVICIO GRATUITO

DeWALT mantendrá la herramienta y reemplazará las piezas gastadas por su uso normal, sin cobro, en cualquier



momento durante un año a contar de la fecha de compra. Los artículos gastados por la clavadora, tales como la unidad de hoja y retorno del impulsador, no están cubiertas.

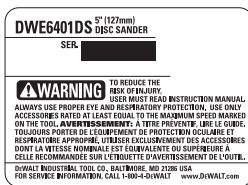
**GARANTÍA DE REEMBOLSO DE SU DINERO  
POR 90 DÍAS**

Si no está completamente satisfecho con el desempeño de su máquina herramienta, láser o clavadora DeWALT, cualquiera sea el motivo, podrá devolverlo hasta 90 días de la fecha de compra con su recibo y obtener el reembolso completo de su dinero – sin necesidad de responder a ninguna pregunta.

**AMÉRICA LATINA:** Esta garantía no se aplica a los productos que se venden en América Latina. Para los productos que se venden en América Latina, debe consultar la información de la garantía específica del país que viene en el empaque, llamar a la compañía local o visitar el sitio Web a fin de obtener esa información.

**REEMPLAZO GRATUITO DE LAS ETIQUETAS DE**

**ADVERTENCIAS:** Si sus etiquetas de advertencia se vuelven ilegibles o faltan, llame al 1-800-433-9258 (1-800-4-DeWALT) para que se le reemplacen gratuitamente.



**Especificaciones**

	DWE6401DS
Tensión de alimentación:	120 V c.a. ~
Consumo de corriente:	6 A
Frecuencia de alimentación:	50/60 Hz
Potencia nominal:	650 W
Rotación sin carga:	0–4100/min

Solamente para propósito de México:

Importado por: DeWALT Industrial Tool Co. S.A. de C.V.

Avenida Antonio Dovali Jaime, # 70 Torre B Piso 9

Colonia La Fe, Santa Fé

Código Postal : 01210

Delegación Alvaro Obregón

México D.F.

Tel. (52) 555-326-7100

R.F.C.: BDE810626-1W7







DeWALT Industrial Tool Co., 701 East Joppa Road, Towson, MD 21286  
(JUL16) Part No. N472642 DWE6401 Copyright © 2016 DeWALT

The following are trademarks for one or more DeWALT power tools: the yellow and black color scheme, the "D" shaped air intake grill, the array of pyramids on the handgrip, the kit box configuration, and the array of lozenge-shaped humps on the surface of the tool.