

# DEWALT®



**Instruction Manual  
Guide D'utilisation  
Manual de instrucciones**

## **DWE1622**

**Two Speed Magnetic Drill Press**

**Perceuse magnétique à colonne à deux vitesses**

**Taladro de columna magnético de dos velocidades**

**[www.DEWALT.com](http://www.DEWALT.com)**

**If you have questions or comments, contact us.  
Pour toute question ou tout commentaire, nous contacter.  
Si tiene dudas o comentarios, contáctenos.**

**1-800-4-DEWALT**

**ENGLISH**

---

English (***original instructions***) 1

---

Français (*traduction de la notice d'instructions originale*) 9

---

Español (*traducido de las instrucciones originales*) 18

---

## Definitions: Safety Alert Symbols and Words

This instruction manual uses the following safety alert symbols and words to alert you to hazardous situations and your risk of personal injury or property damage.



**DANGER:** Indicates an imminently hazardous situation which, if not avoided, **will** result in **death or serious injury**.



**WARNING:** Indicates a potentially hazardous situation which, if not avoided, **could** result in **death or serious injury**.



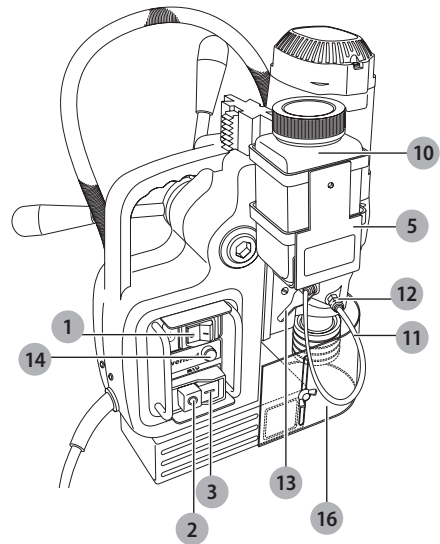
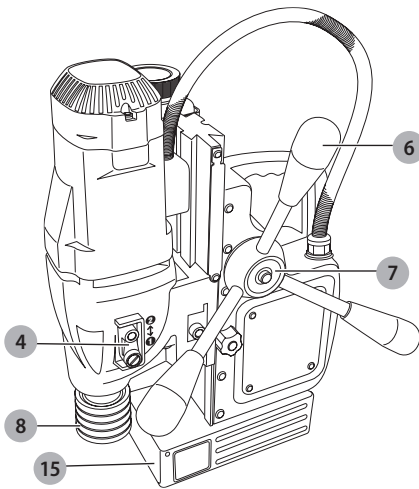
**CAUTION:** Indicates a potentially hazardous situation which, if not avoided, **may** result in **minor or moderate injury**.



(Used without word) Indicates a safety related message.

**NOTICE:** Indicates a practice **not related to personal injury** which, if not avoided, **may** result in **property damage**.

Fig. A



- 1 ON/OFF power/magnet switch
- 2 Off button for motor
- 3 On button for motor
- 4 Gear selector
- 5 Magnetic bracket
- 6 Feed handle
- 7 Hub
- 8 Tool holder
- 9 Safety chain (Fig. E)
- 10 Coolant bottle
- 11 Coolant tube
- 12 Coupling connector
- 13 Flow regulator
- 14 Overload LED Indicator
- 15 Magnetic base
- 16 Guard



**WARNING! Read all safety warnings and all instructions.** Failure to follow the warnings and instructions may result in electric shock, fire and/or serious injury.



**WARNING:** To reduce the risk of injury, read the instruction manual.

If you have any questions or comments about this or any DeWALT tool, call us toll free at: 1-800-4-DeWALT (1-800-433-9258).

## GENERAL POWER TOOL SAFETY WARNINGS



**WARNING! Read all safety warnings and all instructions.** Failure to follow the warnings and instructions may result in electric shock, fire and/or serious injury.

### SAVE ALL WARNINGS AND INSTRUCTIONS FOR FUTURE REFERENCE

The term "power tool" in the warnings refers to your mains-operated (corded) power tool or battery-operated (cordless) power tool.

#### 1) Work Area Safety

- a) **Keep work area clean and well lit.** Cluttered or dark areas invite accidents.
- b) **Do not operate power tools in explosive atmospheres, such as in the presence of flammable liquids, gases or dust.** Power tools create sparks which may ignite the dust or fumes.
- c) **Keep children and bystanders away while operating a power tool.** Distractions can cause you to lose control.

#### 2) Electrical Safety

- a) **Power tool plugs must match the outlet. Never modify the plug in any way. Do not use any adapter plugs with earthed (grounded) power tools.** Unmodified plugs and matching outlets will reduce risk of electric shock.
- b) **Avoid body contact with earthed or grounded surfaces such as pipes, radiators, ranges and refrigerators.** There is an increased risk of electric shock if your body is earthed or grounded.
- c) **Do not expose power tools to rain or wet conditions.** Water entering a power tool will increase the risk of electric shock.
- d) **Do not abuse the cord. Never use the cord for carrying, pulling or unplugging the power tool. Keep cord away from heat, oil, sharp edges or moving parts.** Damaged or entangled cords increase the risk of electric shock.
- e) **When operating a power tool outdoors, use an extension cord suitable for outdoor use.** Use of a cord suitable for outdoor use reduces the risk of electric shock.
- f) **If operating a power tool in a damp location is unavoidable, use a ground fault circuit interrupter (GFCI) protected supply.** Use of a GFCI reduces the risk of electric shock.

#### 3) Personal Safety

- a) **Stay alert, watch what you are doing and use common sense when operating a power tool. Do not use a power tool while you are tired or under the influence of drugs, alcohol or medication.** A moment of inattention while operating power tools may result in serious personal injury.

- b) **Use personal protective equipment. Always wear eye protection.** Protective equipment such as dust mask, non-skid safety shoes, hard hat, or hearing protection used for appropriate conditions will reduce personal injuries.
- c) **Prevent unintentional starting. Ensure the switch is in the off position before connecting to power source and/or battery pack, picking up or carrying the tool.** Carrying power tools with your finger on the switch or energizing power tools that have the switch on invites accidents.
- d) **Remove any adjusting key or wrench before turning the power tool on.** A wrench or a key left attached to a rotating part of the power tool may result in personal injury.
- e) **Do not overreach. Keep proper footing and balance at all times.** This enables better control of the power tool in unexpected situations.
- f) **Dress properly. Do not wear loose clothing or jewelry. Keep your hair, clothing and gloves away from moving parts.** Loose clothes, jewelry or long hair can be caught in moving parts.
- g) **If devices are provided for the connection of dust extraction and collection facilities, ensure these are connected and properly used.** Use of dust collection can reduce dust-related hazards.

#### 4) Power Tool Use and Care

- a) **Do not force the power tool. Use the correct power tool for your application.** The correct power tool will do the job better and safer at the rate for which it was designed.
- b) **Do not use the power tool if the switch does not turn it on and off.** Any power tool that cannot be controlled with the switch is dangerous and must be repaired.
- c) **Disconnect the plug from the power source and/or the battery pack from the power tool before making any adjustments, changing accessories, or storing power tools.** Such preventive safety measures reduce the risk of starting the power tool accidentally.
- d) **Store idle power tools out of the reach of children and do not allow persons unfamiliar with the power tool or these instructions to operate the power tool.** Power tools are dangerous in the hands of untrained users.
- e) **Maintain power tools. Check for misalignment or binding of moving parts, breakage of parts and any other condition that may affect the power tool's operation. If damaged, have the power tool repaired before use.** Many accidents are caused by poorly maintained power tools.
- f) **Keep cutting tools sharp and clean.** Properly maintained cutting tools with sharp cutting edges are less likely to bind and are easier to control.
- g) **Use the power tool, accessories and tool bits, etc. in accordance with these instructions, taking**


**into account the working conditions and the work to be performed.** Use of the power tool for operations different from those intended could result in a hazardous situation.


**5) Service**


- a) **Have your power tool serviced by a qualified repair person using only identical replacement parts.** This will ensure that the safety of the power tool is maintained.

**Additional Safety Rules for a Drill Presses**

- Always use the safety chain. Mounting can release. If mounting surface does not allow the use of the chain, then secure the unit by another means such as a clamp. Electrical power may fail or unit may accidentally disconnect.
- **Use clamps or other practical way to secure and support the workpiece to a stable platform.** Holding the work by hand or against your body is unstable and may lead to loss of control.
- Keep your fingers well out of the drill area.
- The magnetic base is suitable for use on steel with a thickness of at least 3/8" (10 mm), with no visible air gap between the magnet bottom surface and the mounting surface. Curvature, coats of paint and surface irregularities will create an air gap. Keep the air gap to a minimum. Air gaps between the magnet and working surface weakens the magnetic holding strength.
- Always place the magnet base on a flat surface. Do not clamp the base on small or irregularly shaped objects.
- Always place the magnet base on a surface that is clear of shavings, chips, swarf and surface dirt.
- Keep the magnet clean and free of debris and swarf.
- Do not switch on the motor until the drill has been mounted and installed according to the instructions.
- Do not switch on the motor before having checked that the magnetic base has been tightened firmly to the mounting surface.
- Before switching on the motor, make sure the accessory has been mounted correctly.
- Always use the recommended speed for the accessories and the material.
- Do not use the machine on the same workpiece on which electric welders are being used.
- Use only an appropriate cutting fluid.
- Do not use liquid cutting fluids while drilling vertical surfaces or overhead. Dip the cutter in cutting paste or apply an appropriate spray for these applications.
- Do not pour cutting fluid into the reservoir while it is mounted on the drill. Do not allow cutting fluid to enter the drill motor.

 **CAUTION: Extremely powerful magnet.** Keep away from pacemakers, defibrillators, medical equipment, computers, computer disks, cassette tapes, engine control modules, etc.

 **CAUTION: Do not use feed handle or power cord to lift unit.**

 **CAUTION:** After switching power to the magnet off, the magnetic base will continue to adhere to the surface for a moment before releasing. A light blow


- **An extension cord must have adequate wire size (AWG or American Wire Gauge) for safety.** The smaller the gauge number of the wire, the greater the capacity of the cable, that is 16 gauge has more capacity than 18 gauge. An undersized cord will cause a drop in line voltage resulting in loss of power and overheating. When using more than one extension to make up the total length, be sure each individual extension contains at least the minimum wire size. The following table shows the correct size to use depending on cord length and nameplate ampere rating. If in doubt, use the next heavier gauge. The smaller the gauge number, the heavier the cord.

Minimum Gauge for Cord Sets					
Volts	Total Length of Cord in Feet (meters)				
	120 V	25 (7.6)	50 (15.2)	100 (30.5)	150 (45.7)
240 V	50 (15.2)	100 (30.5)	200 (61.0)	300 (91.4)	
Ampere Rating		American Wire Gauge			
More Than	Not More Than				
0	6	18	16	16	14
6	10	18	16	14	12
10	12	16	16	14	12
12	16	14	12	Not Recommended	

**Additional Safety Information**

 **WARNING: ALWAYS** use safety glasses. Everyday eyeglasses are NOT safety glasses. Also use face or dust mask if cutting operation is dusty. ALWAYS WEAR CERTIFIED SAFETY EQUIPMENT:

- ANSI Z87.1 eye protection (CAN/CSA Z94.3),
- ANSI S12.6 (S3.19) hearing protection,
- NIOSH/OSHA/MSHA respiratory protection.

 **WARNING:** Some dust created by power sanding, sawing, grinding, drilling, and other construction activities contains chemicals known to the State of California to cause cancer, birth defects or other reproductive harm. Some examples of these chemicals are:

- lead from lead-based paints,
- crystalline silica from bricks and cement and other masonry products, and
- arsenic and chromium from chemically-treated lumber.

Your risk from these exposures varies, depending on how often you do this type of work. To reduce your exposure to these chemicals: work in a well ventilated area, and work with approved safety equipment, such as those dust masks that are specially designed to filter out microscopic particles.

- **Avoid prolonged contact with dust from power sanding, sawing, grinding, drilling, and other construction activities. Wear protective clothing and wash exposed areas with soap and water.** Allowing dust to get into your mouth, eyes, or lay on the skin may promote absorption of harmful chemicals.

**ENGLISH**

**⚠ WARNING:** Use of this tool can generate and/or disperse dust, which may cause serious and permanent respiratory or other injury. Always use NIOSH/OSHA approved respiratory protection appropriate for the dust exposure. Direct particles away from face and body.

**⚠ WARNING:** Always wear proper personal hearing protection that conforms to ANSI S12.6 (S3.19) during use. Under some conditions and duration of use, noise from this product may contribute to hearing loss.

- **Air vents often cover moving parts and should be avoided.** Loose clothes, jewelry or long hair can be caught in moving parts.

The label on your tool may include the following symbols. The symbols and their definitions are as follows:

V.....volts	~ or AC.....alternating current
Hz.....hertz	⚡ or AC/DC...alternating or direct current
min.....minutes	□.....Class II Construction (double insulated)
— or DC.....direct current	Ⓜ.....Class I Construction (grounded)
Ⓜ.....Class I Construction (grounded)	n <sub>0</sub> .....no load speed
.../min.....per minute	n.....rated speed
BPM.....beats per minute	⊕.....earthing terminal
IPM.....impacts per minute	⚠.....safety alert symbol
RPM.....revolutions per minute	☠.....visible radiation
sfpm.....surface feet per minute	☑.....wear respiratory protection
SPM.....strokes per minute	☑.....wear eye protection
A.....amperes	☑.....wear hearing protection
W.....watts	

**SAVE THESE INSTRUCTIONS FOR FUTURE USE**

**Motor**

Be sure your power supply agrees with the nameplate marking. Voltage decrease of more than 10% will cause loss of power and overheating. DeWALT tools are factory tested; if this tool does not operate, check power supply.

**⚠** **Ⓜ** **WARNING:** This product is Class 1 Construction and must be connected to an Earth connection.

**⚠** **WARNING:** Do not operate this tool using D.C. power. It may damage the tool electronics, which could create an unsafe condition.

**COMPONENTS (FIG. A)**

**⚠** **WARNING:** Never modify the power tool or any part of it. Damage or personal injury could result.

Refer to Figure A at the beginning of this manual for a complete list of components.

**INTENDED USE**

This heavy-duty drill press is designed for professional drilling applications.

**DO NOT** use under wet conditions or in presence of flammable liquids or gases.

This drill press is a professional power tool. **DO NOT** let children come into contact with the tool. Supervision is required when inexperienced operators use this tool.

**ASSEMBLY AND ADJUSTMENTS**

**⚠** **WARNING:** To reduce the risk of serious personal injury, turn unit off and disconnect it from power source before making any adjustments or removing/installing attachments or accessories. An accidental start-up can cause injury.

**Installing the Machine (Fig. A, E)**

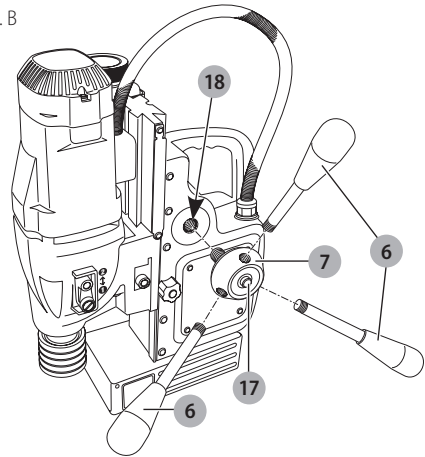
1. Assemble the feed handle.
2. Fit the lubrication system as necessary.
3. Place the machine on a clean, level and solid surface. Remove any particles that will obstruct full contact between the magnetic base 15 and the mounting surface.
4. Fit and tighten the safety chain 9.

**Assembling the Feed Handle (Fig. A, B)**

The quick-release feed handle 6 can be mounted in one simple operation both to the left and the right of the machine.

1. Screw the handles 6 into the hub 7. Ensure handles are secure.
2. Keep the button 17 depressed while inserting the hub shaft into the hole 18.
3. Release the button.

Fig. B

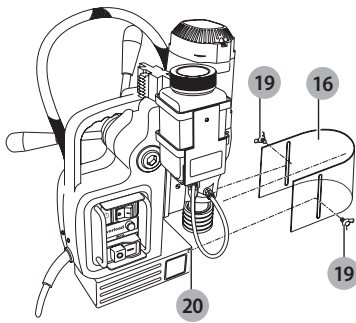


**Assemble the Drill Guard (Fig. C)**

1. Hold the guard 16 in front of the tool holder, aligning the slots in the guard with the holes 20 in the machine.
2. Fit the screws 19 into the holes 20 located in the front of the frame.

**⚠** **WARNING:** Always use the drill guard.

Fig. C



## Lubrication System (Fig. A, D)

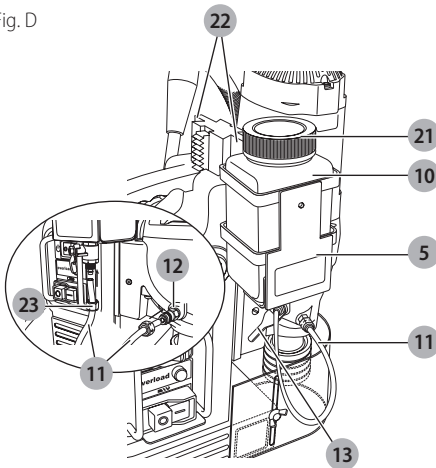
### Filling the Coolant Bottle

**⚠ WARNING:** Do not pour cutting fluid into the bottle while mounted in the bracket. Do not allow cutting fluid to enter the drill motor. Electric shock may result.

**NOTE:** The lubrication system is designed for dispensing cutting fluids specifically intended for drilling. Other liquids may damage the system.

1. Turn the the flow regulator **13** counterclockwise to close.
2. Remove coolant bottle **10** from magnetic bracket **5**.
3. Unscrew the cap **21**.
4. Fill the container with cutting coolant diluted with water.
5. Screw the cap back on.
6. Place coolant bottle into magnetic bracket **5**.

Fig. D



### Fitting the Lubrication System (Fig. A, D)

**⚠ WARNING:** Do not use the lubrication system in vertical surfaces or overhead drilling applications.

Only use the lubrication system for horizontal drilling applications, as shown in Figure A.

1. Place coolant bottle **10** into the magnetic bracket **5**, then slide the magnetic bracket onto the either side of the steel strip **22**.
2. Attach the coolant tube **11** to the coolant bottle:
  - a. Remove the nut **23** and thread it onto the tube **11**.
  - b. Slide the tube onto the nipple and tighten the nut **23**.
3. Attach the tube to the coupling connector **12** on the gearbox.
  - a. Remove the nut from the connector, then pass the coolant tube **11** through the nut **23**.
  - b. Slide the coolant tube **11** onto the nipple to install, then tighten the nut.
  - c. To remove, loosen the nut **23**, then pull the tube from the connector.

In order to use the lubrication system, the coolant bottle **10** must be filled with a sufficient amount of cutting fluid.

### Lubrication in horizontal applications (Fig. D)

1. Adjust the fluid flow as required using the flow regulator **13**.
2. Add more cutting fluid if the shavings become blue.

### Lubrication in Vertical and overhead applications

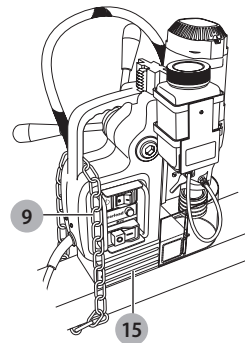
Dip the cutter in cutting paste or apply an appropriate spray.

### Fitting the Safety Chain (Fig. E)

**⚠ WARNING:** Always use the safety chain.

Feed the provided safety chain **9** through the handle of unit and around the workpiece and secure in place.

Fig. E



### Inserting and Removing an Accessory (Fig. F, G)

The tool holder accepts annular cutters with a 3/4" shank with two flats.

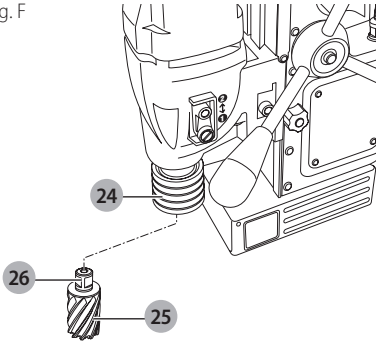
**⚠ CAUTION:** Laceration hazard. The cutter teeth are sharp.

1. Slide the pilot pin **26** through the hole in the center of the cutter shank.
2. Push up on the quick-release collar **24**.

## ENGLISH

3. Insert the cutter **25** with pilot pin **26** and turn until the flat meets the locking pin. When the flat meets the locking pin the collar will snap down.
4. Check that the cutter is securely held in the arbor.
5. Lift the collar to release the cutter.

Fig. F



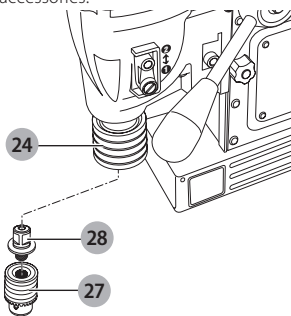
### Three-Jaw Chuck (Fig. G)

A 3-jaw chuck **27** can be installed using an adaptor **28** to fit the drill press for various bit sizes. Refer to **Inserting and Removing an Accessory** for installation instructions.

**NOTE:** It may be necessary to adjust the motor position when chuck is installed. Please refer to **Adjusting the Motor Height** for instructions.

Refer to the **Accessories** section for further information on appropriate accessories.

Fig. G



### Setting the Speed (Fig. H)

**CAUTION:** Do not change speeds while motor is running.

The machine is equipped with a two-gear selector to vary the speed/torque ratio.

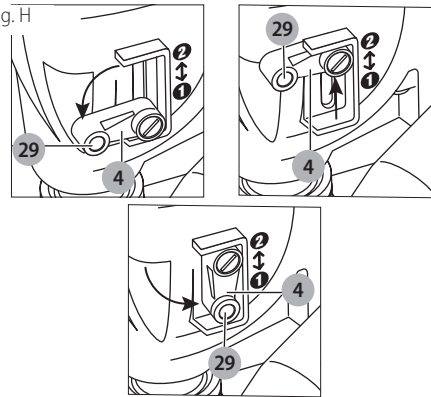
1. Rotate the gear selector tab **4** out of the detent slot and shift into the desired mode.
2. Lock the selector tab back into the detent.

**LOW SPEED AND HIGH TORQUE:** The yellow dot **29** should be aligned with position 1 for low speed and high torque (holes from 32 to 50 mm).

**HIGH SPEED AND LOW TORQUE:** The yellow dot **29** should be aligned with position 2, for high speed and low torque (holes from 12 to 30 mm).

**NOTE:** It may be necessary to slightly turn the spindle by hand a little to complete the gear change.

Fig. H

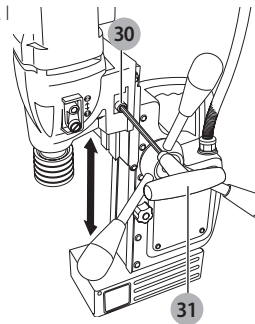


### Adjusting the Motor Height (Fig. I)

The motor height can be adjusted to accommodate the need for more or less bit clearance over the workpiece.

1. Loosen the motor slide bolt **30** with the supplied hex key tool **31**.
2. Position the motor to the desired height.
3. Tighten the bolt firmly with the hex tool to secure the motor in position.

Fig. I



## OPERATION

**WARNING:** To reduce the risk of serious personal injury, turn unit off and disconnect it from power source before making any adjustments or removing/installing attachments or accessories. An accidental start-up can cause injury.

**WARNING:**

- Apply only a gentle pressure to the tool. Excessive force does not speed up drilling but decreases tool performance and may shorten tool life.
- If the accessory jams, stop the motor and gently raise the accessory out of the workpiece before resuming work.
- Always use the safety chain.

### Prior to operation

**WARNING:** Inspect the chain before each use, for wear or damage. Replace if necessary.

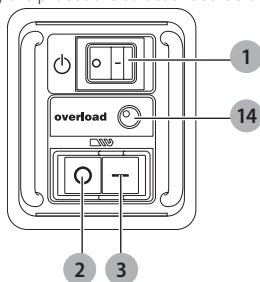


Try a few simple projects using scrap material until you develop a “feel” for the machine.

## Switching On and Off (Fig. A, J)

In order to operate properly, the machine has to be switched following the procedure as described below.

Fig. J



### Switching the power on and off

Plug the unit into an appropriate outlet.

To turn the power on, press the power/magnet switch **1** to the on position (**O**)

**NOTE:** Once the power is switched on the magnet will automatically be activated.

To turn the power off, press the power/magnet switch to the off (**I**) position.

### Switching the drill motor on and off

**! WARNING:** Ensure the magnet has secured the drill to the workpiece prior to turning the motor on.

The drill motor can only be switched on when the magnet is activated.

To turn the drill motor on, press the green button **3** on the motor switch.

To turn the drill motor off, press the red button **2** on the motor switch.

### Resetting the machine

If the power is interrupted during use, or if at any point the magnetic grip is lost, the machine must be reset.

1. Switch off the drill motor first, and then the magnet.
2. Ensure that the work area is clean.
3. Switch on the power/ magnet.

### Overload Protection

The DeWALT magnetic drill is fitted with an overload protection feature to prevent damage to the motor if excessive loads are applied during operation.

The LED indicator light **14** will flash as a warning that excessive load is being applied, if this happens reduce the pressure being applied until the light is constant green. If pressure is not reduced the overload will activate cutting power, at which point the LED will be a solid red. If this occurs run the unit at no load for several seconds to allow the motor to cool before resuming the drilling operation.

### Drilling a Hole (Fig. J)

**! WARNING:** Ensure the magnet has secured the drill to the workpiece prior to turning the motor on.

1. Always apply an appropriate cutting fluid, coolant or lubricant on the cutting area.
2. Make sure the drill point or cutter pilot is properly installed over the spot to be drilled.
3. Press green button **3** on the motor switch to the start motor.
4. Slowly feed the accessory into the workpiece using the feed handle.
5. At the start of the cut, apply light pressure to allow the accessory to perform the initial groove.
6. Continue applying sufficient pressure to achieve a smooth progressive cut. Do not force.
 

**NOTE:** The LED indicator light **14** will flash (red) to indicate too much pressure is being applied, if this happens reduce the pressure being applied until the light changes to a constant (green).
7. The pressure exerted on the handle is too high if the base comes loose from the work surface.
8. Take extra care when the accessory is about to break through the surface to prevent splintering.
9. Always switch off the motor and then the magnet, in that particular order, when work is finished and before unplugging.

### Drilling with Annular Cutters

1. Annular cutters only cut material at the periphery of the hole, rather than converting the entire hole to shavings. As a result the energy required to make a hole is lower than for a twist drill.
2. When drilling with an annular cutter, it is not necessary to drill a pilot hole.

**! CAUTION:** Do not touch the cutter or the parts close to the cutter immediately after operation, as they may be extremely hot and cause burns to the skin. Ensure nobody is in the work area where the metal core is ejected.

### Drilling Conditions

The ease with which material can be drilled is dependent on several factors including tensile strength and abrasion resistance. Hardness and /or strength is the usual criterion, wide variations in machine ability can exist among material showing similar physical properties. The drilling conditions are dependent on requirements for tool life and surface finish. These conditions are further restricted by the rigidity of the tool and the workpiece, lubrication and machine power available. The harder the material the lower the cutting speed. Some materials of low hardness contain abrasive substances leading to rapid cutting edge wear at high speeds. Feed rates are governed by rigidity of set-up, volume of material to be removed, surface finish and available machine power.

### MAINTENANCE

**! WARNING:** To reduce the risk of serious personal injury, turn unit off and disconnect it from power source before making any adjustments or removing/installing attachments or accessories. An accidental start-up can cause injury.

## ENGLISH

### Brushes

The motor will be automatically shutoff indicating that the carbon brushes are nearly worn out and that the tool needs servicing. The carbon brushes are not user-serviceable. Take the tool to an authorized DeWALT repair agent.

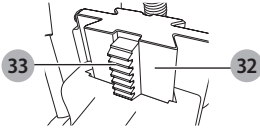
### Lubrication

#### Lubricating the feed travel (Fig. K)

The feed travel should be lubricated periodically with grease to ensure smooth operation.

1. Raise the motor unit to the highest position possible.
2. Lubricate the dove-tail guide way **32** at both sides.
3. Lubricate the gear rack **33**.

Fig. K



After repeated use, the cradle may become loose. If necessary, adjust the 5 self-locking set screws at the left side. Tighten screws in series until the cradle moves freely in the slide but does not allow the motor to wobble.

### Cleaning



**WARNING:** Blow dirt and dust out of all air vents with clean, dry air at least once a week. To minimize the risk of eye injury, always wear ANSI Z87.1 approved eye protection when performing this.



**WARNING:** Never use solvents or other harsh chemicals for cleaning the non-metallic parts of the tool. These chemicals may weaken the plastic materials used in these parts. Use a cloth dampened only with water and mild soap. Never let any liquid get inside the tool; never immerse any part of the tool into a liquid.

### Accessories



**WARNING:** Since accessories, other than those offered by DeWALT, have not been tested with this product, use of such accessories with this tool could be hazardous. To reduce the risk of injury, only DeWALT recommended accessories should be used with this product.

Recommended accessories for use with your tool are available at extra cost from your local dealer or authorized service center. If you need assistance in locating any accessory, please contact DeWALT Industrial Tool Co., 701 East Joppa Road, Towson, MD 21286, call 1-800-4-DeWALT (1-800-433-9258) or visit our website: [www.dewalt.com](http://www.dewalt.com).

### Repairs

The charger and battery pack are not serviceable.



**WARNING:** To assure product SAFETY and RELIABILITY, repairs, maintenance and adjustment (including brush inspection and replacement) should be performed by a DeWALT factory service center

or a DeWALT authorized service center. Always use identical replacement parts.

### Register Online

Thank you for your purchase. Register your product now for:

- **WARRANTY SERVICE:** Registering your product will help you obtain more efficient warranty service in case there is a problem with your product.
- **CONFIRMATION OF OWNERSHIP:** In case of an insurance loss, such as fire, flood or theft, your registration of ownership will serve as your proof of purchase.
- **FOR YOUR SAFETY:** Registering your product will allow us to contact you in the unlikely event a safety notification is required under the Federal Consumer Safety Act.

Register online at [www.dewalt.com/register](http://www.dewalt.com/register).

### Three Year Limited Warranty

DeWALT will repair, without charge, any defects due to faulty materials or workmanship for three years from the date of purchase. This warranty does not cover part failure due to normal wear or tool abuse. For further detail of warranty coverage and warranty repair information, visit [www.dewalt.com](http://www.dewalt.com) or call 1-800-4-DeWALT (1-800-433-9258). This warranty does not apply to accessories or damage caused where repairs have been made or attempted by others. This warranty gives you specific legal rights and you may have other rights which vary in certain states or provinces.

In addition to the warranty, DeWALT tools are covered by our:

#### 1 YEAR FREE SERVICE

DeWALT will maintain the tool and replace worn parts caused by normal use, for free, any time during the first year after purchase.

#### 90 DAY MONEY BACK GUARANTEE

If you are not completely satisfied with the performance of your DeWALT Power Tool, Laser, or Nailer for any reason, you can return it within 90 days from the date of purchase with a receipt for a full refund – no questions asked.

**LATIN AMERICA:** This warranty does not apply to products sold in Latin America. For products sold in Latin America, see country specific warranty information contained in the packaging, call the local company or see website for warranty information.

**FREE WARNING LABEL REPLACEMENT:** If your warning labels become illegible or are missing, call 1-800-4-DeWALT (1-800-433-9258) for a free replacement.

## Définitions : symboles et termes d'alarmes sécurité

Ces guides d'utilisation utilisent les symboles et termes d'alarmes sécurité suivants pour vous prévenir de situations dangereuses et de risques de dommages corporels ou matériels.



**DANGER** : indique une situation dangereuse imminente qui, si elle n'est pas évitée, **entraînera la mort ou des blessures graves**.



**AVERTISSEMENT** : indique une situation potentiellement dangereuse qui, si elle n'est pas évitée, **pourrait entraîner la mort ou des blessures graves**.



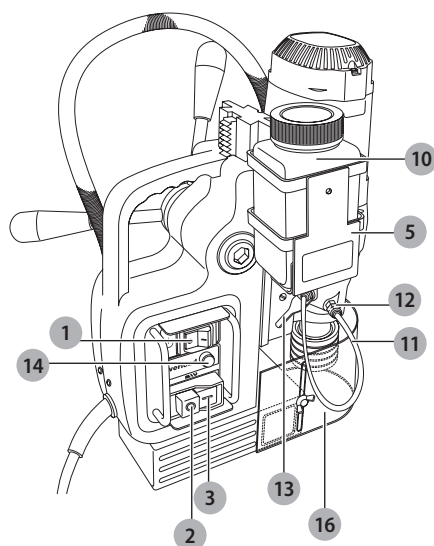
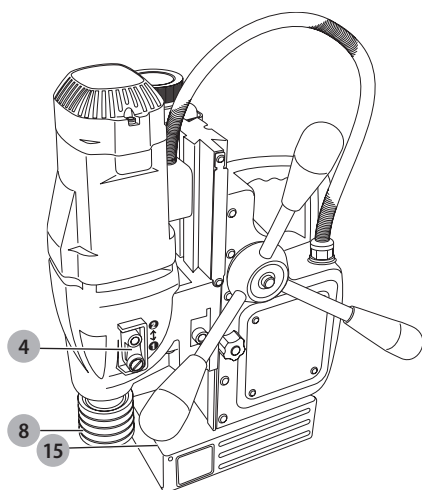
**ATTENTION** : indique une situation potentiellement dangereuse qui, si elle n'est pas évitée, **pourrait entraîner des blessures légères ou modérées**.



(Si utilisé sans aucun terme) Indique un message propre à la sécurité.

**AVIS** : indique une pratique ne posant **aucun risque de dommages corporels** mais qui par contre, si rien n'est fait pour l'éviter, **pourrait poser des risques de dommages matériels**.

Fig. A



- 1 Interrupteur MARCHÉ/ARRÊT secteur/aimant
- 2 Bouton d'arrêt du moteur
- 3 Bouton de marche du moteur
- 4 Sélecteur de vitesse
- 5 Patte de fixation magnétique
- 6 Poignée d'alimentation
- 7 Moyeu
- 8 Porte-outil
- 9 Chaîne de sécurité (Fig. E)
- 10 Réservoir du fluide de refroidissement
- 11 Tube du fluide de refroidissement
- 12 Connecteur de couplage
- 13 Régulateur de débit
- 14 Voyant DEL de surcharge
- 15 Embase magnétique
- 16 Carter



**AVERTISSEMENT!** lire tous les avertissements de sécurité et toutes les directives. Le non-respect des avertissements et des directives pourrait se solder par un choc électrique, un incendie et/ou une blessure grave.



**AVERTISSEMENT** : afin de réduire le risque de blessures, lire le mode d'emploi de l'outil.

Pour toute question ou remarque au sujet de cet outil ou de tout autre outil DeWALT, composez le numéro sans frais : 1-800-4-DeWALT (1-800-433-9258).

## AVERTISSEMENTS DE SÉCURITÉ GÉNÉRAUX POUR LES OUTILS ÉLECTRIQUES

**⚠** **AVERTISSEMENT!** *lire tous les avertissements de sécurité et toutes les directives.* Le non-respect des avertissements et des directives pourrait se solder par un choc électrique, un incendie et/ou une blessure grave.

### CONSERVER TOUS LES AVERTISSEMENTS ET TOUTES LES DIRECTIVES POUR UN USAGE ULTÉRIEUR

Le terme « outil électrique » cité dans les avertissements se rapporte à votre outil électrique à alimentation sur secteur (avec fil) ou par piles (sans fil).

#### 1) Sécurité du lieu de travail

- Tenir l'aire de travail propre et bien éclairée.**  
*Les lieux encombrés ou sombres sont propices aux accidents.*
- Ne pas faire fonctionner d'outils électriques dans un milieu déflagrant, tel qu'en présence de liquides, de gaz ou de poussières inflammables.**  
*Les outils électriques produisent des étincelles qui pourraient enflammer la poussière ou les vapeurs.*
- Éloigner les enfants et les personnes à proximité pendant l'utilisation d'un outil électrique.**  
*Une distraction pourrait en faire perdre la maîtrise à l'utilisateur.*

#### 2) Sécurité en matière d'électricité

- Les fiches des outils électriques doivent correspondre à la prise. Ne jamais modifier la fiche d'aucune façon. Ne jamais utiliser de fiche d'adaptation avec un outil électrique mis à la terre.**  
*Le risque de choc électrique sera réduit par l'utilisation de fiches non modifiées correspondant à la prise.*
- Éviter tout contact physique avec des surfaces mises à la terre comme des tuyaux, des radiateurs, des cuisinières et des réfrigérateurs.**  
*Le risque de choc électrique est plus élevé si votre corps est mis à la terre.*
- Ne pas exposer les outils électriques à la pluie ou à l'humidité.**  
*La pénétration de l'eau dans un outil électrique augmente le risque de choc électrique.*
- Ne pas utiliser le cordon de façon abusive. Ne jamais utiliser le cordon pour transporter, tirer ou débrancher un outil électrique. Tenir le cordon éloigné de la chaleur, de l'huile, des bords tranchants et des pièces mobiles.**  
*Les cordons endommagés ou enchevêtrés augmentent les risques de choc électrique.*
- Pour l'utilisation d'un outil électrique à l'extérieur, se servir d'une rallonge convenant à cette application.**  
*L'utilisation d'une rallonge conçue pour l'extérieur réduira les risques de choc électrique.*
- S'il est impossible d'éviter l'utilisation d'un outil électrique dans un endroit humide, brancher l'outil dans une prise ou sur un circuit**

*d'alimentation dotés d'un disjoncteur de fuite à la terre (GFCl). L'utilisation de ce type de disjoncteur réduit les risques de choc électrique.*

#### 3) Sécurité personnelle

- Être vigilant, surveiller le travail effectué et faire preuve de jugement lorsqu'un outil électrique est utilisé. Ne pas utiliser d'outil électrique en cas de fatigue ou sous l'influence de drogues, d'alcool ou de médicaments.**  
*Un simple moment d'inattention en utilisant un outil électrique peut entraîner des blessures corporelles graves.*
- Utiliser des équipements de protection individuelle. Toujours porter une protection oculaire.**  
*L'utilisation d'équipements de protection comme un masque antipoussière, des chaussures antidérapantes, un casque de sécurité ou des protecteurs auditifs lorsque la situation le requiert réduira les risques de blessures corporelles.*
- Empêcher les démarrages intempestifs. S'assurer que l'interrupteur se trouve à la position d'arrêt avant de relier l'outil à une source d'alimentation et/ou d'insérer un bloc-piles, de ramasser ou de transporter l'outil.**  
*Transporter un outil électrique alors que le doigt repose sur l'interrupteur ou brancher un outil électrique dont l'interrupteur est à la position de marche risque de provoquer un accident.*
- Retirer toute clé de réglage ou clé avant de démarrer l'outil.**  
*Une clé ou une clé de réglage attachée à une partie pivotante de l'outil électrique peut provoquer des blessures corporelles.*
- Ne pas trop tendre les bras. Conserver son équilibre en tout temps.**  
*Cela permet de mieux maîtriser l'outil électrique dans les situations imprévues.*
- S'habiller de manière appropriée. Ne pas porter de vêtements amples ni de bijoux. Garder les cheveux, les vêtements et les gants à l'écart des pièces mobiles.**  
*Les vêtements amples, les bijoux ou les cheveux longs risquent de rester coincés dans les pièces mobiles.*
- Si des composants sont fournis pour le raccordement de dispositifs de dépoissierage et de ramassage, s'assurer que ceux-ci sont bien raccordés et utilisés.**  
*L'utilisation d'un dispositif de dépoissierage peut réduire les dangers engendrés par les poussières.*

#### 4) Utilisation et entretien d'un outil électrique

- Ne pas forcer un outil électrique. Utiliser l'outil électrique approprié à l'application.**  
*L'outil électrique approprié effectuera un meilleur travail, de façon plus sûre et à la vitesse pour laquelle il a été conçu.*
- Ne pas utiliser un outil électrique dont l'interrupteur est défectueux.**  
*Tout outil électrique dont l'interrupteur est défectueux est dangereux et doit être réparé.*
- Débrancher la fiche de la source d'alimentation et/ou du bloc-piles de l'outil électrique avant de**

**faire tout réglage ou changement d'accessoire ou avant de ranger l'outil.** Ces mesures préventives réduisent les risques de démarrage accidentel de l'outil électrique.

- d) **Ranger les outils électriques hors de la portée des enfants et ne permettre à aucune personne n'étant pas familière avec un outil électrique ou son mode d'emploi d'utiliser cet outil.** Les outils électriques deviennent dangereux entre les mains d'utilisateurs inexpérimentés.
- e) **Entretien des outils électriques. Vérifier si les pièces mobiles sont mal alignées ou coincées, si des pièces sont brisées ou présentent toute autre condition susceptible de nuire au bon fonctionnement de l'outil électrique. En cas de dommage, faire réparer l'outil électrique avant toute nouvelle utilisation.** Beaucoup d'accidents sont causés par des outils électriques mal entretenus.
- f) **S'assurer que les outils de coupe sont aiguisés et propres.** Les outils de coupe bien entretenus et affûtés sont moins susceptibles de se coincer et sont plus faciles à maîtriser.
- g) **Utiliser l'outil électrique, les accessoires, les forets, etc. conformément aux présentes directives en tenant compte des conditions de travail et du travail à effectuer.** L'utilisation d'un outil électrique pour toute opération autre que celle pour laquelle il a été conçu est dangereuse.

## 5) Réparation

- a) **Faire réparer l'outil électrique par un réparateur professionnel en n'utilisant que des pièces de rechange identiques.** Cela permettra de maintenir une utilisation sécuritaire de l'outil électrique.

## Règles de sécurité additionnelles propres aux perceuses à colonne

- Utiliser systématiquement une chaîne de sécurité. L'assemblage pourrait se disloquer. Si la surface d'installation ne permet pas l'utilisation d'une chaîne, utiliser alors un autre moyen pour arrimer l'outil, par exemple un serre-joint. Une panne de courant pourrait se produire ou l'outil pourrait se déconnecter accidentellement.
- **Utiliser des serre-joints ou tout autre moyen pour fixer et immobiliser le matériau sur une surface stable.** Tenir la pièce à la main ou contre son corps offre une stabilité insuffisante qui pourrait vous en faire perdre le contrôle.
- Maintenir les doigts à l'écart de la zone de perçage.
- L'embase magnétique est adaptée pour être utilisée sur de l'acier d'une épaisseur minimum de 10 mm (3/8 po), en ne laissant aucun espace visible entre la surface inférieure de l'aimant et la surface d'installation. Courbes, couches de peinture, irrégularités de surface produiront un espace. Maintenir cet espace à un minimum. Tout espace entre l'aimant et la surface de travail affaiblira la force magnétique de retenue.

- Placer systématiquement l'embase magnétique sur une surface plane. Ne pas arrimer l'embase sur un objet petit ou irrégulier.
- Placer systématiquement l'embase magnétique sur une surface propre, sans copeaux, rognures ou débris.
- Maintenir l'aimant propre et net de tout débris ou copeau.
- Ne pas mettre le moteur en marche tant que la perceuse n'aura pas été montée et installée conformément aux instructions.
- Ne pas mettre le moteur en marche sans avoir vérifié que l'embase magnétique est fermement arrimée à la surface de travail.
- Vérifier systématiquement que les accessoires ont été correctement installés avant de mettre le moteur en marche.
- Utiliser systématiquement la vitesse recommandée pour les accessoires et le matériau.
- Ne pas utiliser la machine sur une pièce à travailler en même temps qu'une soudeuse électrique.
- N'utiliser que des liquides de coupe adéquats.
- Ne pas utiliser de liquides de coupe pendant le perçage vertical de surfaces ou au-dessus de la tête. Pour ces applications, appliquer sur l'organe de coupe une pâte de coupe ou un aérosol approprié.
- Ne pas remplir le réservoir de liquide de coupe alors qu'il se trouve sur la perceuse. Protéger le moteur de toute infiltration de liquide de coupe.



### **ATTENTION : aimant extrêmement puissant.**

Maintenir à distance tout stimulateur cardiaque, défibrillateur, appareil médical, ordinateur, disque d'ordinateur, cassette, module de commande de moteur, etc.



### **ATTENTION : ne pas utiliser la poignée d'alimentation ou le cordon d'alimentation pour soulever l'appareil.**



**ATTENTION :** une fois le secteur coupé de l'aimant, l'embase magnétique continuera un moment d'adhérer à la surface avant de se relâcher. Une tape de la main suffira pour libérer l'embase.

- **Pour la sécurité de l'utilisateur, utiliser une rallonge de calibre adéquat (AWG, American Wire Gauge [calibrage américain normalisé des fils électriques]).** Plus le calibre est petit, et plus sa capacité est grande. Un calibre 16, par exemple, a une capacité supérieure à un calibre 18. L'usage d'une rallonge de calibre insuffisant causera une chute de tension qui entraînera perte de puissance et surchauffe. Si plus d'une rallonge est utilisée pour obtenir une certaine longueur, s'assurer que chaque rallonge présente au moins le calibre de fil minimum. Le tableau ci-dessous illustre les calibres à utiliser selon la longueur de rallonge et l'intensité nominale indiquée sur la plaque signalétique. En cas de doute, utiliser le calibre suivant. Plus le calibre est petit, plus la rallonge peut supporter de courant.

## Calibre minimum pour les cordons d'alimentation

Volts		Longueur totale du cordon d'alimentation en mètre (pieds)			
120 V		7,6 (25)	15,2 (50)	30,5 (100)	45,7 (150)
240 V		15,2 (50)	30,5 (100)	61,0 (200)	91,4 (300)
Ampères		AWG			
Plus que	Pas plus que				
0	6	18	16	16	14
6	10	18	16	14	12
10	12	16	16	14	12
12	16	14	12	Non recommandé	

## Consigne de sécurité supplémentaire

**AVERTISSEMENT :** porter **SYSTEMATIQUEMENT** des lunettes de protection. Les lunettes courantes **NE** sont **PAS** des lunettes de protection. Utiliser aussi un masque antipoussières si la découpe doit en produire beaucoup. **PORTER SYSTEMATIQUEMENT UN ÉQUIPEMENT DE SÉCURITÉ HOMOLOGUÉ :**

- Protection oculaire ANSI Z87.1 (CAN/CSA Z94.3) ;
- Protection auditive ANSI S12.6 (S3.19) ;
- Protection des voies respiratoires NIOSH/OSHA/MSHA.

**AVERTISSEMENT :** les scies, meules, ponceuses, perceuses ou autres outils de construction peuvent produire des poussières contenant des produits chimiques reconnus par l'État californien pour causer cancers, malformations congénitales ou être nocifs au système reproducteur. Parmi ces produits chimiques, on retrouve :

- Le plomb dans les peintures à base de plomb ;
- La silice cristallisée dans les briques et le ciment, ou autres produits de maçonnerie ; et
- L'arsenic et le chrome dans le bois ayant subi un traitement chimique.

Le risque associé à de telles expositions varie selon la fréquence à laquelle on effectue ces travaux. Pour réduire toute exposition à ces produits : travailler dans un endroit bien aéré, en utilisant du matériel de sécurité homologué, tel un masque antipoussières spécialement conçu pour filtrer les particules microscopiques.

- **Limiter toute exposition prolongée avec les poussières provenant du ponçage, sciage, meulage, perçage ou toute autre activité de construction. Porter des vêtements de protection et nettoyer à l'eau savonneuse les parties du corps exposées.** Le fait de laisser la poussière pénétrer dans la bouche, les yeux ou la peau peut favoriser l'absorption de produits chimiques dangereux.

**AVERTISSEMENT :** cet outil peut produire et/ou répandre de la poussière susceptible de causer des dommages sérieux et permanents au système respiratoire. Utiliser systématiquement un appareil de protection des voies respiratoires homologué par le NIOSH ou l'OSHA. Diriger les particules dans le sens opposé au visage et au corps.

**AVERTISSEMENT :** pendant l'utilisation, porter systématiquement une protection auditive individuelle adéquate homologuée ANSI S12.6 (S3.19). Sous certaines conditions et suivant la durée d'utilisation, le bruit émanant de ce produit pourrait contribuer à une perte de l'acuité auditive.

- **Prendre des précautions à proximité des événements, car ils cachent des pièces mobiles.** Vêtements amples, bijoux ou cheveux longs risquent de rester coincés dans ces pièces mobiles.

L'étiquette apposée sur votre outil peut inclure les symboles suivants. Les symboles et leur définition sont indiqués ci-après :

V .....	volts	W .....	watts
Hz .....	hertz	~ or AC.....	courant alternatif
min .....	minutes	⏏ or AC/DC....	courant alternatif ou continu
— or DC.....	courant continu	⊠ .....	fabrication classe I (double isolation)
Ⓢ .....	fabrication classe I (mis à la terre)	no .....	vitesse à vide
.../min.....	par minute	n .....	vitesse nominale
BPM .....	battements par minute	⊕ .....	borne de terre
IPM .....	impacts par minute	⚠ .....	symbole d'avertissement
RPM .....	revolutions per minute	☠ .....	radiation visible
sfpm .....	pieds linéaires par minute (plpm)	Ⓢ .....	protection respiratoire
SPM (FPM) .....	fréquence par minute	⦿ .....	protection oculaire
A .....	ampères	⦿ .....	protection auditive

## CONSERVER CES CONSIGNES POUR UTILISATION ULTÉRIEURE

## Moteur

S'assurer que le bloc d'alimentation est compatible avec l'inscription de la plaque signalétique. Une diminution de tension de plus de 10 % provoquera une perte de puissance et une surchauffe. Les outils DeWALT sont testés en usine ; si cet outil ne fonctionne pas, vérifier l'alimentation électrique.

**AVERTISSEMENT :** ce produit est un outil de construction de classe 1 et doit être connecté à un branchement mis à la terre.

**AVERTISSEMENT :** ne pas utiliser cet outil sur courant CC, cela pourrait endommager l'électronique de l'outil et poser des risques.

## DESCRIPTION (FIG. A)

**AVERTISSEMENT :** ne jamais modifier l'outil électrique ni aucun de ses composants, car il y a risques de dommages corporels ou matériels.

Reportez-vous en Figure A au début de ce manuel pour obtenir la liste complète des composants.

## USAGE PRÉVU

Cette perceuse à colonne industrielle a été conçue pour la perforation professionnelle.

**NE PAS** les utiliser en milieu ambiant humide ou en présence de liquides ou de gaz inflammables.

Cette perceuse à colonne est un outil électrique de professionnels. **NE PAS** le laisser à la portée des enfants. Une supervision est nécessaire auprès de tout utilisateur non expérimenté.

## ASSEMBLAGE ET AJUSTEMENTS

**⚠ AVERTISSEMENT :** pour réduire le risque de blessures graves, éteindre l'outil et retirer le débrancher avant d'effectuer tout réglage et d'enlever ou d'installer tout accessoire. Un démarrage accidentel peut provoquer des blessures.

### Installation de la machine (Fig. A, E)

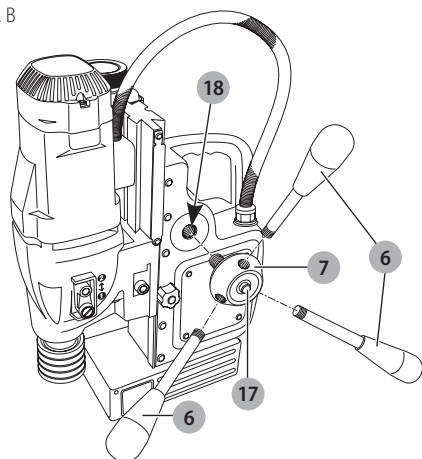
1. Assemblez la poignée d'alimentation.
2. Intégrez le système de graissage nécessaire.
3. Disposez la machine sur une surface plane, propre et solide. Éliminez toute particule pouvant faire obstacle au contact étroit de l'embase magnétique 15 et de la surface d'installation.
4. Installez et resserrez la chaîne de sécurité 9.

### Installation de la poignée d'alimentation (Fig. A, B)

La poignée d'alimentation à dégagement rapide 6 peut être installée en une opération toute simple sur la gauche ou la droite de la machine.

1. Vissez les poignées 6 sur le moyeu 7. Assurez-vous que les poignées sont bien arriérées.
2. Maintenez le bouton 17 appuyé alors que vous insérez l'axe du moyeu dans l'orifice 18.
3. Relâchez le bouton.

Fig. B

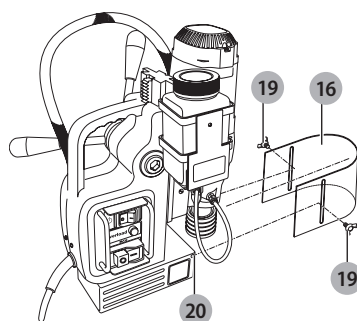


### Installation du carter de perçage (Fig. C)

1. Maintenez le carter 16 devant le porte-outil, en alignant les orifices du carter sur les trous 20 de l'outil.
2. Insérez les vis 19 dans les trous 20 situés à l'avant du châssis.

**⚠ AVERTISSEMENT :** utiliser systématiquement le carter de perçage.

Fig. C



### Système de graissage (Fig. A, D)

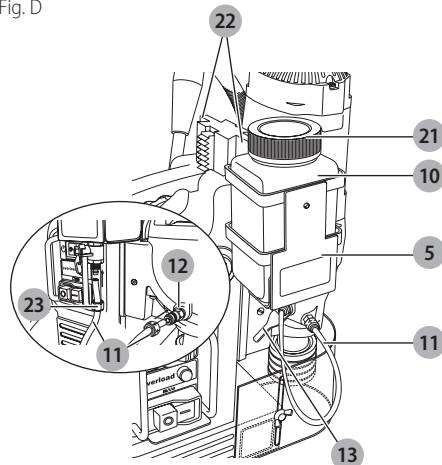
#### Remplissage du réservoir du fluide de refroidissement

**⚠ AVERTISSEMENT :** ne pas remplir le réservoir de liquide de coupe alors qu'il se trouve sur sa patte de fixation. Protéger le moteur de toute infiltration de liquide de coupe. Des chocs électriques pourraient en résulter.

**REMARQUE :** le système de graissage a été conçu pour des fluides de coupe spécialement conçus pour le perçage. Les autres liquides pourraient endommager le système.

1. Tournez le régulateur de débit 13 vers la gauche pour le fermer.
2. Retirez le réservoir du fluide de refroidissement 10 de la patte de fixation magnétique 5.
3. Dévissez le capuchon 21.
4. Remplissez le réservoir de refroidisseur de coupe dilué d'eau.
5. Revissez le capuchon.
6. Placez le réservoir du fluide de refroidissement sur sa patte de fixation magnétique 5.

Fig. D



## Réglage du système de graissage (Fig. A, D)

**⚠ AVERTISSEMENT :** ne pas utiliser le système de graissage pendant le perçage vertical de surfaces ou au-dessus de la tête.

Utilisez exclusivement le système de graissage pour le perçage horizontal, comme illustré en figure A.

- Placez le réservoir du fluide de refroidissement **10** sur sa patte de fixation magnétique **5**. Insérez la patte de fixation magnétique sur l'un ou l'autre côté de la bande d'acier **22**.
- Rattachez le tube du fluide de refroidissement **11** au réservoir du fluide de refroidissement.
  - Retirez l'écrou **23** et vissez-le sur le tube **11**.
  - Insérez le tube sur l'embout et resserrez l'écrou **23**.
- Fixez le tube au connecteur de couplage **12** sur la boîte d'engrenages.
  - Retirez l'écrou du connecteur, puis passez le tube de refroidissement **11** dans l'écrou **23**.
  - Glissez le tube de refroidissement **11** sur le raccord fileté à installer, puis serrez l'écrou.
  - Pour retirer, desserrez l'écrou **23**, puis tirez le tube du connecteur.

Pour utiliser le système de graissage, le réservoir du fluide de refroidissement **10** doit contenir une quantité suffisante de liquide de coupe.

## Graissage d'applications horizontales (Fig. D)

- Réglez le débit de fluide comme requis à l'aide du régulateur de débit **13**.
- Ajoutez du liquide de coupe si les copeaux deviennent bleus.

## Graissage des applications verticales et au-dessus de la tête

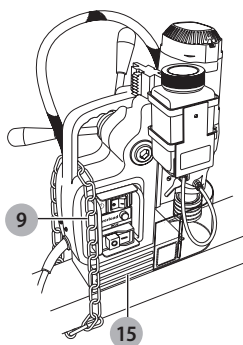
Appliquez sur l'organe de coupe une pâte de coupe ou un aérosol approprié.

## Installation de la chaîne de sécurité (Fig. E)

**⚠ AVERTISSEMENT :** utiliser systématiquement une chaîne de sécurité.

Insérez la chaîne de sécurité fournie **9** dans la poignée de l'appareil et autour de la pièce à travailler et arrimez-la solidement.

Fig. E

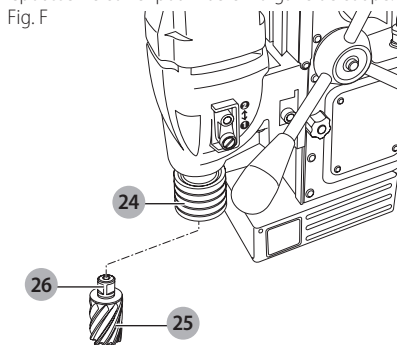


## Installation et retrait d'un accessoire (Fig. F, G)

Le porte-outil accepte des fraises à carotter avec une tige de 3/4 po à deux méplats.

**⚠ ATTENTION :** danger de lacération. Les dents de l'organe de coupe sont acérées.

- Insérez la tige de guidage **26** dans le trou au centre de la tige de l'organe de coupe.
- Repoussez le collier à dégagement rapide **24**.
- Insérez l'organe de coupe **25** avec la tige de guidage **26** et tournez jusqu'à ce que le méplat rencontre la goupille de verrouillage. Lorsque le méplat rencontrera la goupille de verrouillage, le collier s'enclenchera.
- Vérifiez que l'organe de coupe est bien arrimé à l'arbre.
- Repoussez le collier pour libérer l'organe de coupe.



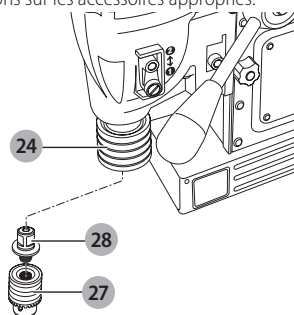
## Mandrin à 3 mors (Fig. G)

Un mandrin à 3 mors **27** peut être installé à l'aide d'un adaptateur **28** pour équiper la perceuse à colonne avec différentes tailles de fraises. Reportez-vous à la section *Installation et retrait d'un accessoire* pour obtenir des instructions d'installation.

**REMARQUE :** il pourra s'avérer nécessaire d'ajuster la position du moteur lors de l'installation du mandrin. Veuillez vous reporter à la section *Réglage de la hauteur du moteur* pour plus d'informations.

Reportez-vous à la section *Accessoires* pour plus d'informations sur les accessoires appropriés.

Fig. G





## Réglage de la vitesse (Fig. H)

**ATTENTION :** ne pas changer la vitesse alors que le moteur tourne.

Cet outil est équipé d'un sélecteur à deux vitesses pour varier le rapport vitesse/couple

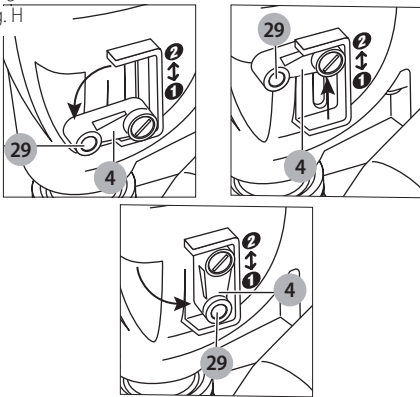
1. Tournez la languette du sélecteur de vitesse **4** hors de son orifice de verrouillage et positionnez-la sur le mode désiré.
2. Reverrouillez la languette du sélecteur dans son orifice de verrouillage.

**VITESSE RÉDUITE ET COUPLE ÉLEVÉ :** le point jaune **29** devrait se trouver sur la position 1 pour une vitesse réduite et un couple élevé (trous de 32–50 mm).

**VITESSE ÉLEVÉE ET FAIBLE COUPLE :** le point jaune **29** devrait se trouver sur la position 2 pour une vitesse élevée et un faible couple (trous de 12–30 mm).

**REMARQUE :** il pourra s'avérer nécessaire de tourner légèrement la broche manuellement pour entériner le changement de vitesse.

Fig. H

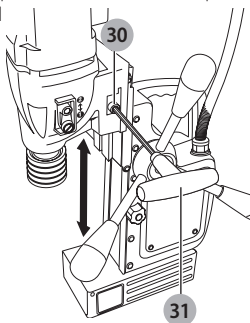


## Réglage de la hauteur du moteur (Fig. I)

La hauteur du moteur peut être ajustée pour accommoder un besoin supérieur ou inférieur d'espace de mèche sur la pièce à travailler.

1. Desserrez le boulon coulissant **30** du moteur à l'aide de la clé hexagonale **31** fournie.
2. Positionnez le moteur à la hauteur désirée.
3. Resserrez fermement le boulon à l'aide de la clé hexagonale pour arrimer le moteur en position.

Fig. I



## UTILISATION

**AVERTISSEMENT :** pour réduire le risque de blessures graves, éteindre l'outil et retirer le débrancher avant d'effectuer tout réglage et d'enlever ou d'installer tout accessoire. Un démarrage accidentel peut provoquer des blessures.

**AVERTISSEMENT :**

- N'appliquer qu'une pression légère sur l'outil. Une force excessive n'accélèrera pas le perçage, mais réduira les performances de l'outil et pourra aussi en réduire sa durée de vie.
- Si l'accessoire reste bloqué, arrêter le moteur et sortir doucement l'accessoire de la pièce à travailler avant de reprendre le travail.
- Utiliser systématiquement une chaîne de sécurité.

### Avant tout utilisation

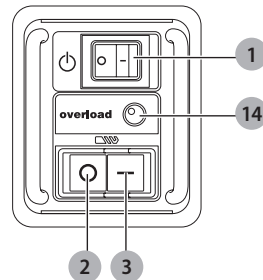
**AVERTISSEMENT :** vérifier que la chaîne ne comporte ni usure ni dommage avant toute utilisation. La changer le cas échéant.

Faites quelques essais simples sur des rebuts jusqu'à acquérir de l'assurance avec votre machine.

### Mise en marche et arrêt (Fig. A, J)

Pour fonctionner correctement, la machine doit être mise en marche en suivant la procédure comme expliquée ci-après.

Fig. J



### Mise sous et hors tension

Branchez l'outil dans la prise appropriée.

Pour le mettre sous tension, poussez l'interrupteur secteur/aimant **1** sur la position de marche **(O)**

**REMARQUE :** l'aimant sera automatiquement activé dès la mise sous tension.

Pour le mettre hors tension, poussez l'interrupteur secteur/aimant sur la position d'arrêt **(I)**.

### Mise en marche et arrêt du moteur de la perceuse

**AVERTISSEMENT :** s'assurer que l'aimant arrime solidement la perceuse à la pièce à travailler avant de mettre le moteur en marche.

Le moteur de la perceuse ne peut être mis en marche que lorsque l'aimant est activé.

Pour mettre le moteur de la perceuse en marche, appuyez sur le bouton vert **3** sur l'interrupteur moteur.

## FRANÇAIS

Pour arrêter le moteur de la perceuse, appuyez sur le bouton rouge **2** sur l'interrupteur moteur.

### Réinitialisation de la machine

Si l'alimentation secteur est interrompue pendant l'utilisation, ou si à un moment quelconque l'aimant est désactivé, la machine doit être réinitialisée.

1. Arrêtez le moteur de la perceuse d'abord, puis celui de l'aimant.
2. Assurez-vous que l'aire de travail est propre.
3. Réactivez l'interrupteur secteur/aimant.

### Protection anti surcharges

Les perceuses magnétiques DeWALT sont équipées d'une fonctionnalité anti surcharge pour prévenir tout dommage au moteur en cas d'une application excessive de charge pendant l'utilisation.

Le voyant DEL **14** clignotera pour avertir qu'une charge excessive a été appliquée. Dans cette éventualité, réduire la pression appliquée jusqu'à ce que le voyant vert reste fixement allumé. Si la pression n'est pas réduite, la surcharge activera la coupure du secteur, et le voyant DEL restera allumé fixement rouge. Dans cette éventualité, faites tourner l'appareil à vide quelques secondes pour permettre au moteur de refroidir avant de reprendre le perçage.

### Perçage d'un trou (Fig. J)



**AVERTISSEMENT** : s'assurer que l'aimant arrive solidement la perceuse à la pièce à travailler avant de mettre le moteur en marche.

1. Appliquez systématiquement le liquide de coupe ou de refroidissement ou le lubrifiant adéquat sur la zone de coupe.
2. Assurez-vous que la pointe du foret ou le guide de l'organe de coupe est correctement posé sur le point à percer.
3. Appuyez sur le bouton vert **3** sur l'interrupteur moteur pour démarrer ce dernier.
4. Alimentez lentement l'accessoire dans la pièce à travailler à l'aide de la poignée d'alimentation.
5. Au début du perçage, appliquez une pression légère pour permettre à l'accessoire de faire le trou initial.
6. Continuez en appliquant une pression suffisante pour effectuer une coupe progressive et fluide. Ne forcez pas.  
**REMARQUE** : le voyant DEL **14** clignotera (rouge) pour indiquer qu'une charge excessive a été appliquée. Dans cette éventualité, réduire la pression appliquée jusqu'à ce que le voyant reste allumé fixement (vert).
7. La pression exercée sur la poignée est trop forte si l'embase se détache de la surface de travail.
8. Prenez des précautions supplémentaires au moment où l'accessoire va traverser la surface pour éviter qu'elle n'éclate.
9. Arrêtez systématiquement le moteur puis l'aimant, dans cet ordre, une fois le travail terminé et avant de débrancher l'outil.

### Perçage avec des fraises à carotter

1. Les fraises à carotter ne découpent le matériau que sur la périphérie du trou plutôt que de convertir entièrement le trou en copeaux. En conséquence, l'énergie requise pour faire un trou est moins importante qu'avec une mèche hélicoïdale.
2. Pour percer avec une fraise à carotter, il n'est pas nécessaire de percer un avant-trou.



**ATTENTION** : ne pas toucher l'organe de coupe ou les parties à proximité immédiatement après l'opération, car ils peuvent être extrêmement chauds et causer des brûlures. S'assurer que personne ne se trouve sur l'aire de travail lorsque le noyau métallique est éjecté.

### Conditions de perçage

La facilité avec laquelle le matériau peut être percé dépend de plusieurs facteurs y compris la force de traction et la résistance à l'abrasion. Dureté et/ou force sont les critères habituels. Il peut y avoir une grande variation de capacité machine même parmi les matériaux exhibant des propriétés physiques similaires. Les conditions de perçage sont tributaires des besoins en matière de durée de vie de l'outil et du fini de surface. Ces conditions sont aussi assujetties à la rigidité de l'outil et de la pièce à travailler, le graissage et la puissance disponible de la machine. Plus le matériau est dur, plus la vitesse de perçage sera réduite. Certains matériaux peu durs contiennent des substances abrasives pouvant aboutir à l'usure rapide du tranchant de lame lors de grandes vitesses. La rapidité d'alimentation est gouvernée par la rigidité de l'ensemble, le volume du matériau à retirer, le fini de surface et la puissance machine disponible.

### MAINTENANCE



**AVERTISSEMENT** : pour réduire le risque de blessures graves, éteindre l'outil et retirer le débrancher avant d'effectuer tout réglage et d'enlever ou d'installer tout accessoire. Un démarrage accidentel peut provoquer des blessures.

### Balais

Le moteur s'arrêtera automatiquement pour indiquer que les balais de charbon sont pratiquement usés et que l'outil doit être retourné pour entretien. Les balais de charbon ne sont pas remplaçables par l'utilisateur. Amener l'outil dans un centre de réparation agréé DeWALT.

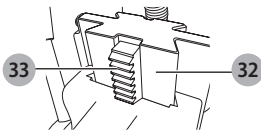
### Lubrification

#### lubrification de la course d'alimentation (Fig. K)

La course d'alimentation doit être lubrifiée périodiquement avec de la graisse pour assurer la fluidité des opérations.

1. Élevez le bloc-moteur sur sa position la plus haute.
2. Graissez la course du gabarit à queue d'aronde **32** sur les deux côtés.
3. Graissez la pignonnerie **33**.

Fig. K



Après un usage répété, le berceau pourra se relâcher. Le cas échéant, ajustez les 5 vis de pression auto-verrouillables sur le côté gauche. Resserrez les vis en série jusqu'à ce que le berceau bouge librement sur la glissière sans que le moteur ne tremble.

## Nettoyage



**AVERTISSEMENT :** enlever les saletés et la poussière hors des événements au moyen d'air comprimé propre et sec, au moins une fois par semaine. Pour minimiser le risque de blessure aux yeux, toujours porter une protection oculaire conforme à la norme ANSI Z87.1 lors du nettoyage.



**AVERTISSEMENT :** ne jamais utiliser de solvants ni d'autres produits chimiques puissants pour nettoyer les pièces non métalliques de l'outil. Ces produits chimiques peuvent affaiblir les matériaux de plastique utilisés dans ces pièces. Utiliser un chiffon humecté uniquement d'eau et de savon doux. Ne jamais laisser de liquide pénétrer dans l'outil et n'immerger aucune partie de l'outil dans un liquide.

## Accessoires



**AVERTISSEMENT :** puisque les accessoires autres que ceux offerts par DeWALT n'ont pas été testés avec ce produit, leur utilisation pourrait s'avérer dangereuse. Pour réduire le risque de blessures, utiliser exclusivement les accessoires DeWALT recommandés avec le présent produit.

Les accessoires recommandés pour cet outil sont vendus séparément au centre de service de votre région. Pour obtenir de l'aide concernant l'achat d'un accessoire, communiquer avec DeWALT Industrial Tool Co., 701 East Joppa Road, Towson, MD 21286 aux États-Unis; composer le 1 800 433-9258 (1 800 4-DeWALT) ou visiter notre site Web : [www.dewalt.com](http://www.dewalt.com).

## Réparations

Le chargeur et le bloc-piles ne sont pas réparables.



**AVERTISSEMENT :** pour assurer la SÉCURITÉ et la FIABILITÉ du produit, les réparations, l'entretien et les réglages doivent être réalisés (cela comprend l'inspection et le remplacement du balai) par un centre de réparation en usine DeWALT ou un centre de réparation agréé DeWALT. Toujours utiliser des pièces de rechange identiques.

## Registre en ligne

Merci pour votre achat. Enregistrez dès maintenant votre produit:

- **RÉPARATIONS SOUS GARANTIE:** cette carte remplit vous permettra de vous prévaloir du service de

réparations sous garantie de façon plus efficace dans le cas d'un problème avec le produit.

- **CONFIRMATION DE PROPRIÉTÉ:** en cas de perte provoquée par un incendie, une inondation ou un vol, cette preuve de propriété vous servira de preuve auprès de votre compagnie d'assurances.
- **SÉCURITÉ:** l'enregistrement de votre produit nous permettra de communiquer avec vous dans l'éventualité peu probable de l'envoi d'un avis de sécurité régi par la loi fédérale américaine de la protection des consommateurs.

Registrez en ligne à [www.dewalt.com/register](http://www.dewalt.com/register).

## Garantie limitée de trois ans

DeWALT réparera, sans frais, tout produit défectueux causé par un défaut de matériel ou de fabrication pour une période de trois ans à compter de la date d'achat. La présente garantie ne couvre pas les pièces dont la défectuosité a été causée par une usure normale ou l'usage abusif de l'outil. Pour obtenir de plus amples renseignements sur les pièces ou les réparations couvertes par la présente garantie, visiter le site [www.dewalt.com](http://www.dewalt.com) ou composer le 1 800 433-9258 (1 800 4-DeWALT). Cette garantie ne s'applique pas aux accessoires et ne vise pas les dommages causés par des réparations effectuées par un tiers. Cette garantie confère des droits légaux particuliers à l'acheteur, mais celui-ci pourrait aussi bénéficier d'autres droits variant d'un état ou d'une province à l'autre.

En plus de la présente garantie, les outils DeWALT sont couverts par notre :

### CONTRAT D'ENTRETIEN GRATUIT D'UN AN

DeWALT entretiendra l'outil et remplacera les pièces usées au cours d'une utilisation normale et ce, gratuitement, pendant une période d'un an à compter de la date d'achat.

### GARANTIE DE REMBOURSEMENT DE 90 JOURS

Si l'acheteur n'est pas entièrement satisfait, pour quelque raison que ce soit, du rendement de l'outil électrique, du laser ou de la cloueuse DeWALT, celui-ci peut le retourner, accompagné d'un reçu, dans les 90 jours à compter de la date d'achat pour obtenir un remboursement intégral, sans aucun problème.

**AMÉRIQUE LATINE :** cette garantie ne s'applique aux produits vendus en Amérique latine. Pour ceux-ci, veuillez consulter les informations relatives à la garantie spécifique présente dans l'emballage, appeler l'entreprise locale ou consulter le site Web pour les informations relatives à cette garantie.

### REMPLACEMENT GRATUIT DES ÉTIQUETTES

**D'AVERTISSEMENT :** si les étiquettes d'avertissement deviennent illisibles ou sont manquantes, composer le 1 800 433-9258 (1 800 4-DeWALT) pour en obtenir le remplacement gratuit.

## Definiciones: Símbolos y palabras de alerta de seguridad

Este manual de instrucciones utiliza los siguientes símbolos y palabras de alerta de seguridad para alertarle de situaciones peligrosas y del riesgo de lesiones corporales o daños materiales.

**!** **PELIGRO:** Indica una situación de peligro inminente que, si no se evita, provocará **la muerte o lesiones graves**.

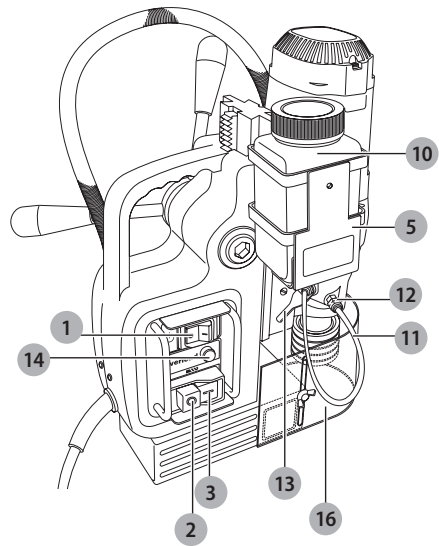
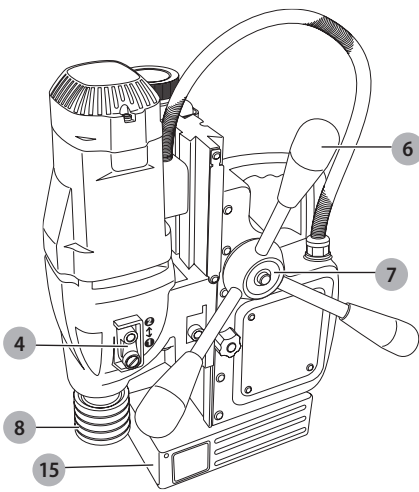
**!** **ADVERTENCIA:** Indica una situación de peligro potencial que, si no se evita, **podría provocar la muerte o lesiones graves**.

**!** **ATENCIÓN:** Indica una situación de peligro potencial que, si no se evita, **posiblemente provocaría lesiones leves o moderadas**.

**!** (Utilizado sin palabras) indica un mensaje de seguridad relacionado.

**AVISO:** Se refiere a una práctica **no relacionada a lesiones corporales** que de no evitarse **puede resultar en daños a la propiedad**.

Fig. A



- 1 Interruptor magnético de ENCENDIDO/APAGADO
- 2 Botón de apagado para el motor
- 3 Botón de encendido para el motor
- 4 Selector de marchas
- 5 Soporte magnético
- 6 Mango de avance
- 7 Cubo
- 8 Portaherramientas
- 9 Cadena de seguridad (Fig. E)
- 10 Botella de refrigerante
- 11 Tubo de refrigerante
- 12 Conector de acoplamiento
- 13 Regulador de flujo
- 14 Indicador LED de sobrecarga
- 15 Base magnética
- 16 Protector

**!** **¡ADVERTENCIA!** Lea todas las advertencias de seguridad e instrucciones. El incumplimiento de las advertencias e instrucciones puede provocar descargas eléctricas, incendios o lesiones graves.

**!** **ADVERTENCIA:** Para reducir el riesgo de lesiones, lea el manual de instrucciones.

Si tiene alguna duda o algún comentario sobre ésta u otra herramienta DeWALT, llámenos al número gratuito: 1-800-4-DeWALT (1-800-433-9258).

## ADVERTENCIAS GENERALES DE SEGURIDAD PARA HERRAMIENTAS ELÉCTRICAS



**¡ADVERTENCIA!** Lea todas las advertencias de seguridad e instrucciones. El incumplimiento de las advertencias e instrucciones puede provocar descargas eléctricas, incendios o lesiones graves.

### CONSERVE TODAS LAS ADVERTENCIAS E INSTRUCCIONES PARA FUTURAS CONSULTAS

El término "herramienta eléctrica" incluido en las advertencias hace referencia a las herramientas eléctricas operadas con corriente (con cable eléctrico) o a las herramientas eléctricas operadas con baterías (inalámbricas).

#### 1) Seguridad en el Área de Trabajo

- Mantenga el área de trabajo limpia y bien iluminada.** Las áreas abarrotadas y oscuras propician accidentes.
- No opere las herramientas eléctricas en atmósferas explosivas, como ambientes donde haya polvo, gases o líquidos inflamables.** Las herramientas eléctricas originan chispas que pueden encender el polvo o los vapores.
- Mantenga alejados a los niños y a los espectadores de la herramienta eléctrica en funcionamiento.** Las distracciones pueden provocar la pérdida de control.

#### 2) Seguridad Eléctrica

- Los enchufes de la herramienta eléctrica deben adaptarse al tomacorriente. Nunca modifique el enchufe de ninguna manera. No utilice ningún enchufe adaptador con herramientas eléctricas con conexión a tierra.** Los enchufes no modificados y que se adaptan a los tomacorrientes reducirán el riesgo de descarga eléctrica.
- Evite el contacto corporal con superficies con descargas a tierra como, por ejemplo, tuberías, radiadores, cocinas eléctricas y refrigeradores.** Existe mayor riesgo de descarga eléctrica si su cuerpo está puesto a tierra.
- No exponga las herramientas eléctricas a la lluvia o a condiciones de humedad.** Si entra agua a una herramienta eléctrica, aumentará el riesgo de descarga eléctrica.
- No maltrate el cable. Nunca utilice el cable para transportar, tirar o desenchufar la herramienta eléctrica. Mantenga el cable alejado del calor, el aceite, los bordes filosos y las piezas móviles.** Los cables dañados o enredados aumentan el riesgo de descarga eléctrica.
- Al operar una herramienta eléctrica en el exterior, utilice un cable prolongador adecuado para tal uso.** Utilice un cable adecuado para uso en exteriores a fin de reducir el riesgo de descarga eléctrica.
- Si el uso de una herramienta eléctrica en un lugar húmedo es imposible de evitar, utilice**

**un suministro protegido con un interruptor de circuito por falla a tierra (GFCI).** El uso de un GFCI reduce el riesgo de descargas eléctricas.

#### 3) Seguridad Personal

- Permanezca alerta, controle lo que está haciendo y utilice el sentido común cuando emplee una herramienta eléctrica. No utilice una herramienta eléctrica si está cansado o bajo el efecto de drogas, alcohol o medicamentos.** Un momento de descuido mientras se opera una herramienta eléctrica puede provocar lesiones personales graves.
- Utilice equipos de protección personal. Siempre utilice protección para los ojos.** En las condiciones adecuadas, el uso de equipos de protección, como máscaras para polvo, calzado de seguridad antideslizante, cascos o protección auditiva, reducirá las lesiones personales.
- Evite el encendido por accidente. Asegúrese de que el interruptor esté en la posición de apagado antes de conectarlo a la fuente de energía o paquete de baterías, o antes de levantar o transportar la herramienta.** Transportar herramientas eléctricas con el dedo apoyado en el interruptor o enchufar herramientas eléctricas con el interruptor en la posición de encendido puede propiciar accidentes.
- Retire la clavija de ajuste o la llave de tuercas antes de encender la herramienta eléctrica.** Una llave de tuercas o una clavija de ajuste que quede conectada a una pieza giratoria de la herramienta eléctrica puede provocar lesiones personales.
- No se estire. Conserve el equilibrio y párese adecuadamente en todo momento.** Esto permite un mejor control de la herramienta eléctrica en situaciones inesperadas.
- Use la vestimenta adecuada. No use ropas holgadas ni joyas. Mantenga el cabello, la ropa y los guantes alejados de las piezas en movimiento.** Las ropas holgadas, las joyas o el cabello largo pueden quedar atrapados en las piezas en movimiento.
- Si se suministran dispositivos para la conexión de accesorios con fines de recolección y extracción de polvo, asegúrese de que estén conectados y que se utilicen correctamente.** El uso de dispositivos de recolección de polvo puede reducir los peligros relacionados con el polvo.

#### 4) Uso y Mantenimiento de la Herramienta Eléctrica

- No fuerce la herramienta eléctrica. Utilice la herramienta eléctrica correcta para el trabajo que realizará.** Si se la utiliza a la velocidad para la que fue diseñada, la herramienta eléctrica correcta permite trabajar mejor y de manera más segura.
- No utilice la herramienta eléctrica si no puede encenderla o apagarla con el interruptor.** Toda

herramienta eléctrica que no pueda ser controlada mediante el interruptor es peligrosa y debe repararse.

- c) **Desconecte el enchufe de la fuente de energía o el paquete de baterías de la herramienta eléctrica antes de realizar ajustes, cambiar accesorios o almacenar la herramienta eléctrica.** Estas medidas de seguridad preventivas reducen el riesgo de encender la herramienta eléctrica en forma accidental.
- d) **Guarde la herramienta eléctrica que no esté en uso fuera del alcance de los niños y no permita que otras personas no familiarizadas con ella o con estas instrucciones operen la herramienta.** Las herramientas eléctricas son peligrosas si son operadas por usuarios no capacitados.
- e) **Realice el mantenimiento de las herramientas eléctricas. Revise que no haya piezas en movimiento mal alineadas o trabadas, piezas rotas o cualquier otra situación que pueda afectar el funcionamiento de la herramienta eléctrica. Si encuentra daños, haga reparar la herramienta eléctrica antes de utilizarla.** Se producen muchos accidentes a causa de las herramientas eléctricas que carecen de un mantenimiento adecuado.
- f) **Mantenga las herramientas de corte afiladas y limpias.** Las herramientas de corte con mantenimiento adecuado y con los bordes de corte afilados son menos propensas a trabarse y son más fáciles de controlar.
- g) **Utilice la herramienta eléctrica, los accesorios y las brocas de la herramienta, etc. de acuerdo con estas instrucciones y teniendo en cuenta las condiciones de trabajo y el trabajo que debe realizarse.** El uso de la herramienta eléctrica para operaciones diferentes de aquéllas para las que fue diseñada podría originar una situación peligrosa.

## 5) Mantenimiento

- a) **Solicite a una persona calificada en reparaciones que realice el mantenimiento de su herramienta eléctrica y que sólo utilice piezas de repuesto idénticas.** Esto garantizará la seguridad de la herramienta eléctrica.

## Normas de seguridad adicionales para taladros de columna

- Use siempre la cadena de seguridad. El montaje puede liberarse. Si la superficie de montaje no permite el uso de la cadena, asegure la unidad con otro medio como por ejemplo una abrazadera. La corriente eléctrica puede fallar o la unidad puede desconectarse accidentalmente.
- Use abrazaderas u otra forma práctica de asegurar y apoyar la pieza de trabajo a una plataforma estable. El sujetar la pieza de trabajo con la mano o contra su cuerpo no proporciona estabilidad y puede causar una pérdida de control.
- Mantenga los dedos alejados de la zona de perforación.

- La base magnética es adecuada para su utilización en acero con un grosor a partir de 10 mm (3/8"), sin espacio de aire visible entre la superficie inferior del imán y la superficie de montaje. La curvatura, las capas de pintura y las irregularidades de la superficie crearán un espacio de aire. Mantenga el espacio de aire al mínimo. Los espacios de aire entre el imán y la superficie de trabajo debilitan la fuerza de sujeción magnética.
- Coloque siempre la base magnética sobre una superficie plana. No fije la base en objetos pequeños o de forma irregular.
- Coloque siempre la base magnética sobre una superficie limpia de virutas metálicas, astillas y suciedad.
- Mantenga el imán limpio de residuos y virutas metálicas.
- No encienda el motor hasta que el taladro haya sido montado e instalado según las instrucciones.
- No encienda el motor antes de comprobar que la base magnética ha sido ajustada firmemente a la superficie de montaje.
- Antes de encender el motor, asegúrese de que el accesorio se haya montado correctamente.
- Utilice siempre la velocidad recomendada para los accesorios y el material.
- No utilice la máquina en una pieza de trabajo en la que se estén usando soldadores eléctricos.
- Utilice únicamente un fluido de corte adecuado.
- No utilice fluidos de corte mientras esté taladrando en vertical o en posición elevada. Sumerja la fresa en la pasta de corte o aplique un spray para estas aplicaciones.
- No vierta fluido de corte en el depósito mientras esté montado en el taladro. No permita la entrada del fluido de corte en el motor del taladro.



### **ATENCIÓN: Imán extremadamente potente.**

Manténgase alejado de los marcapasos, desfibriladores, equipo médico, computadoras, discos de computadoras, cintas de casete, módulos de control de motor, etc.



### **ATENCIÓN: No utilice el mango de alimentación o el cable eléctrico para levantar la unidad.**



Después de desconectar la corriente al imán, la base magnética seguirá adhiriéndose a la superficie por un momento antes de liberarse. Un ligero golpe con la mano liberará la base.

- **El cable de extensión deben ser de un calibre apropiado para su seguridad.** Mientras menor sea el calibre del hilo, mayor la capacidad del cable. Es decir, un hilo calibre 16 tiene mayor capacidad que uno de 18. Un cable de un calibre insuficiente causará una caída en la tensión de la línea dando por resultado una pérdida de energía y sobrecalentamiento. Cuando se utilice más de un alargador para completar el largo total, asegúrese que los hilos de cada alargador tengan el calibre mínimo. La tabla siguiente muestra el tamaño correcto a utilizar, dependiendo de la longitud del cable y del amperaje nominal de la placa de identificación. Si tiene dudas sobre cuál calibre usar, use un calibre mayor. Cuanto más

pequeño sea el número del calibre, más resistente será el cable.

**Calibre mínimo de conjuntos de cables**

Voltios	Longitud total del cable en pies (metros)				
	120 V	25 (7,6)	50 (15,2)	100 (30,5)	150 (45,7)
240 V	50 (15,2)	100 (30,5)	200 (61,0)	300 (91,4)	
Amperaje nominal	AWG				
Más de	Más de				
0	6	18	16	16	14
6	10	18	16	14	12
10	12	16	16	14	12
12	16	14	12	Not Recommended	

**Instrucción Adicional de Seguridad**



**ADVERTENCIA:** Use **SIEMPRE** lentes de seguridad. Los anteojos de diario **NO SON** lentes de seguridad. Utilice además una cubrebocas o mascarilla antipolvo si la operación de corte genera demasiado polvo. SIEMPRE LLEVE EQUIPO DE SEGURIDAD CERTIFICADO:

- protección ocular ANSI Z87.1 (CAN/CSA Z94.3),
- protección auditiva ANSI S12.6 (S3.19),
- protección respiratoria NIOSH/OSHA/MSHA.



**ADVERTENCIA:** Algunas partículas de polvo generadas al lijar, serrar, esmerilar y taladrar con herramientas eléctricas, así como al realizar otras actividades de construcción, contienen químicos que el Estado de California sabe que pueden producir cáncer, defectos congénitos u otras afecciones reproductivas. Ejemplos de estos químicos son:

- plomo de algunas pinturas en base a plomo,
- polvo de sílice proveniente de ladrillos y cemento y otros productos de albañilería, y
- arsénico y cromo provenientes de madera tratada químicamente.

Su riesgo de exposición a estos químicos varía, dependiendo de la frecuencia con la cual realiza usted este tipo de trabajo. Para reducir su exposición a estas sustancias químicas: trabaje en una zona bien ventilada y llevando equipos de seguridad aprobados, como mascarillas antipolvo especialmente diseñadas para filtrar partículas microscópicas.

- **Evite el contacto prolongado con polvo generado por el lijado, aserrado, pulido, taladrado y otras actividades de construcción. Vista ropas protectoras y lave las áreas de la piel expuestas con agua y jabón.** Si permite que el polvo se introduzca en la boca u ojos o quede sobre la piel, puede favorecer la absorción de productos químicos peligrosos.



**ADVERTENCIA:** La utilización de esta herramienta puede generar polvo o dispersarlo, lo que podría causar daños graves y permanentes al sistema respiratorio, así como otras lesiones. Siempre use protección respiratoria aprobada por NIOSH (Instituto Nacional de Seguridad y Salud en el Trabajo) u OSHA (Administración de Seguridad y Salud en el Trabajo) apropiada para la exposición al polvo. Dirija las partículas en dirección contraria a la cara y el cuerpo.



**ADVERTENCIA:** Siempre lleve la debida protección auditiva personal en conformidad con ANSI S12.6 (S3.19) durante el uso de esta herramienta. Bajo algunas condiciones y duraciones de uso, el ruido producido por este producto puede contribuir a la pérdida auditiva.

- **Los orificios de ventilación suelen cubrir piezas en movimiento, por lo que también se deben evitar.** Las piezas en movimiento pueden atrapar prendas de vestir sueltas, joyas o el cabello largo.

La etiqueta de su herramienta puede incluir los siguientes símbolos. A continuación se indican los símbolos y sus definiciones:

- V ..... voltios
- Hz ..... hertz
- min ..... minutos
- or DC..... direct current
- Ⓜ ..... Construcción de Clase I (tierra)
- ... /min..... por minuto
- BPM ..... golpes por minuto
- IPM ..... impactos por minuto
- RPM ..... revoluciones por minuto
- sfpm ..... pies de superficie por minuto
- SPM ..... pasadas por minuto
- A ..... amperios
- W ..... vatios
- ~ or AC..... corriente alterna
- ⎓ or AC/DC ... corriente alterna o directa
- Ⓜ ..... Construcción de Clase II (doble aislamiento)
- no ..... velocidad sin carga
- n ..... velocidad nominal
- ⊕ ..... terminal de conexión a tierra
- ⚠ ..... símbolo de advertencia de seguridad
- ☀ ..... radiación visible
- ☎ ..... protección respiratoria
- 👁 ..... protección ocular
- 👂 ..... protección auditiva

**GUARDE ESTAS INSTRUCCIONES PARA VOLVER A CONSULTAR EN EL FUTURO**

**Motor**

Asegúrese de que la fuente de energía concuerde con lo que se indica en la placa. Un descenso en el voltaje de más del 10% producirá una pérdida de potencia y sobrecalentamiento. Todas las herramientas DeWALT son probadas en fábrica; si esta herramienta no funciona, verifique el suministro eléctrico.



**ADVERTENCIA:** Este producto es de Clase 1 Construcción y debe estar conectado a una conexión a tierra.



**ADVERTENCIA:** No opere esta herramienta utilizando corriente continua. Puede dañar las piezas electrónicas de la herramienta, que podrían crear una situación de peligro.

**COMPONENTES (FIG. A)**



**ADVERTENCIA:** Nunca modifique la herramienta eléctrica, ni tampoco ninguna de sus piezas. Podría producir lesiones corporales o daños.

Consulte la Figura A al principio de este manual para obtener una lista completa de los componentes.

**USO DEBIDO**

Este taladro de columna para trabajo pesado está diseñado para aplicaciones de taladrado profesionales.

**NO** utilice la herramienta en condiciones de humedad o en presencia de líquidos o gases inflamables.

Este taladro de columna es una herramienta eléctrica profesional. **NO** permita que los niños toquen la herramienta. Si el operador no tiene experiencia operando esta herramienta, su uso deberá ser supervisado.

**MONTAJE Y AJUSTES**

**⚠️ ADVERTENCIA:** Para reducir el riesgo de lesiones personales graves, apague la herramienta y desconéctela de la fuente de alimentación antes de realizar ajustes o de retirar/instalar dispositivos o accesorios. Un arranque accidental podría causar lesiones.

**Instalación de la máquina (Fig. A, E)**

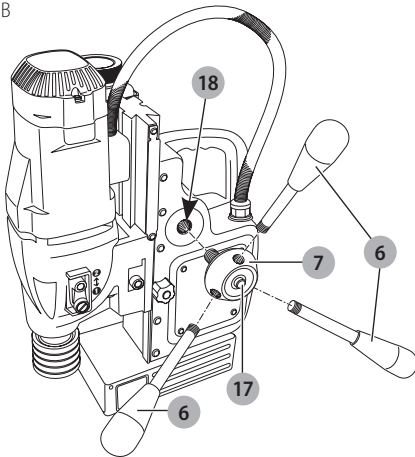
1. Monte la empuñadura de avance.
2. Fije el sistema de lubricación según sea necesario.
3. Coloque la máquina en una superficie limpia, nivelada y sólida. Retire cualquier partícula que obstruya el contacto completo entre la base magnética 15 y la superficie de instalación.
4. Coloque y apriete la cadena de seguridad 9.

**Montaje de la empuñadura de avance (Fig. A, B)**

La empuñadura de avance de liberación rápida 6 puede montarse en una única operación sencilla a la izquierda y a la derecha de la máquina.

1. Enrosque las empuñaduras 6 en el cubo 7. Ensure handles are secure.
2. Mantenga pulsado el botón 17 mientras inserta el eje del cubo en el orificio 18.
3. Suelte el botón.

Fig. B

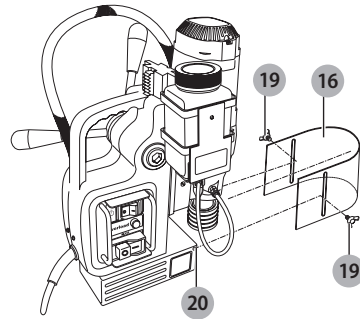


**Ensamble el protector del taladro (Fig. C)**

1. Sujete el protector 16 delante del portaherramientas, alineando las ranuras del protector con los orificios (20) de la máquina.
2. Introduzca los tornillos 19 en los orificios 20 ubicados en la parte delantera del marco.

**⚠️ ADVERTENCIA:** Utilice siempre el protector del taladro.

Fig. C



**Sistema de lubricación (Fig. A, D)**

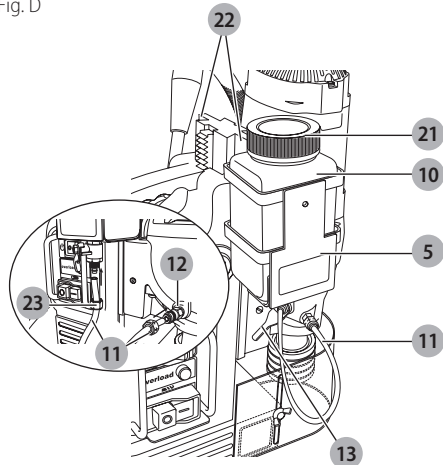
**Llenado de la botella de refrigerante**

**⚠️ ADVERTENCIA:** No vierta el fluido de corte en la botella mientras esté montada en el soporte. No permita la entrada del fluido de corte en el motor del taladro. Podrían provocarse descargas eléctricas.

**NOTA:** El sistema de lubricación está diseñado para dispensar fluidos de corte específicamente para el taladrado. Otros líquidos pueden dañar el sistema.

1. Gire el regulador de caudal 13 en sentido antihorario para cerrarlo.
2. Retire la botella de refrigerante 10 del soporte magnético 5.

Fig. D



3. Desenrosque el tapón 21.
4. Llene el recipiente con el refrigerante de corte diluido en agua.



- Vuelva a enroscar el tapón.
- Coloque la botella de refrigerante en el soporte magnético 5.

### Ajuste del Sistema de lubricación (Fig. A, D)

**⚠ ADVERTENCIA:** No utilice el sistema de lubricación en las aplicaciones de taladrado vertical o de altura.

Utilice el sistema de lubricación solamente para aplicaciones de taladrado horizontal, como se muestra en la Figura A.

- Ponga la botella de refrigerante 10 en el soporte magnético 5, deslice el soporte magnético en cualquiera de los lados de la tira de acero 22.
- Sujete el tubo de refrigerante 11 a la botella de refrigerante:
  - Saque la tuerca 23 y ensártela en el tubo 11.
  - Deslice el tubo en la boquilla y apriete la tuerca 23.
- Conecte el tubo al conector de acoplamiento 12 en la caja de engranes.
  - Retire la tuerca del conector, después pase el tubo de refrigerante 11 a través de la tuerca 23.
  - Deslice el tubo de refrigerante 11 sobre el niple para instalar, después apriete la tuerca.
  - Para retirar, afloje la tuerca 23, después jale el tubo del conector.

Para usar el sistema de lubricación, la botella de refrigerante 10 debe llenarse con la cantidad suficiente de fluido de corte.

### En aplicaciones horizontales (Fig. D)

- Ajuste el flujo de lubricante utilizando el regulador de flujo 13.
- Añada más lubricante de corte si las virutas tienen un color azulado.

### Aplicaciones verticales y elevadas:

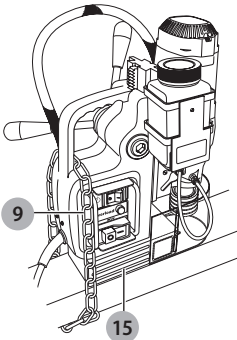
Sumerja la fresa en pasta de corte o aplique un spray adecuado.

### Ajuste de la cadena de seguridad (Fig. E)

**⚠ ADVERTENCIA:** Use siempre la cadena de seguridad.

Enrosque la cadena de seguridad suministrada 9 en el asa de la unidad rodeando la pieza de trabajo y fíjela en su sitio.

Fig. E



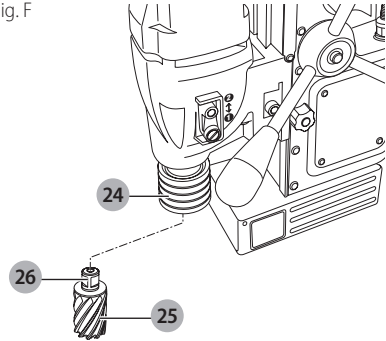
### Montar y retirar un accesorio (Fig. F, G)

El portaherramientas admite fresas anulares con vástago de 3/4" y dos caras planas.

**⚠ ATENCIÓN:** Peligro de laceración. Los dientes de la cuchilla son afilados.

- Deslice el pasador piloto 26 a través del orificio en el centro del vástago del cortador.
- Empuje hacia arriba el collarín de liberación rápida 24.
- Inserte el cortador 25 con el pasador piloto 26 y gire hasta que la parte plana esté en contacto con la clavija de bloqueo. Cuando la parte plana esté en contacto con la clavija de bloqueo, el collarín encajará hacia abajo.
- Compruebe que el cortador esté bien fijo en el eje.
- Levante el collarín para liberar el cortador.

Fig. F



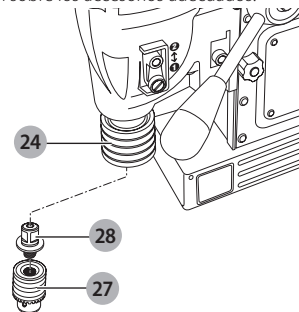
### Portabrocas de 3 mordazas (Fig. G)

Puede instalarse un portabrocas de 3 mordazas 27 usando un adaptador 28 para que encaje en el taladro de columna para varios tamaños de brocas. Véase la sección de **Insertar y retirar un accesorio** para las instrucciones relativas a la instalación.

**NOTA:** Puede ser necesario ajustar la posición del motor cuando el portabrocas esté instalado. Véase la sección de **Ajuste de la altura del motor** para más instrucciones.

Véase la sección de **Accesorios** para obtener más información sobre los accesorios adecuados.

Fig. G



### Fijación de la velocidad (Fig. H)

**⚠ ATENCIÓN:** No cambie las velocidades mientras el motor esté en funcionamiento.

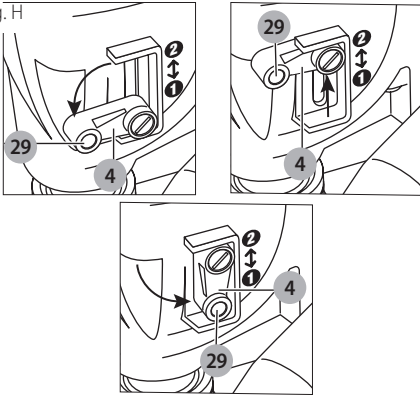
## ESPAÑOL

La máquina está equipada con un selector de dos velocidades para variar la relación entre velocidad y par de torsión.

1. Rote la lengüeta selectora de velocidad **4** hacia afuera de la ranura de detención y cambie al modo deseado.
2. Vuelva a bloquear la lengüeta selectora en la detención.  
**VELOCIDAD BAJA Y PAR DE TORSIÓN ALTO:** El punto amarillo **29** debería estar alineado con la posición 1 para velocidad baja y par de torsión alto (orificios de 32 a 40 mm).  
**VELOCIDAD ALTA Y PAR DE TORSIÓN BAJO:** El punto amarillo **29** debería estar alineado con la posición 2 para velocidad alta y par de torsión bajo (orificios de 12 a 30 mm).

**NOTA:** Puede ser necesario girar ligeramente el eje manualmente para completar el cambio de velocidad.

Fig. H

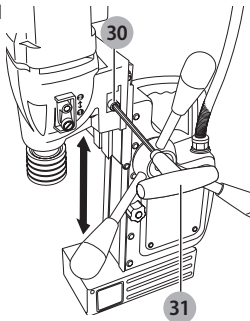


## Ajuste de la altura del motor (Fig. I)

La altura del motor puede ajustarse para adaptarse a la necesidad de mayor o menor espacio entre la broca y la pieza de trabajo.

1. Afloje el perno deslizante del motor **30** con la herramienta de llave hexagonal **31** suministrada.
2. Posicione el motor a la altura deseada.
3. Apriete el perno firmemente con la herramienta hexagonal para fijar el motor en su posición.

Fig. I



## OPERACIÓN

**⚠ ADVERTENCIA:** Para reducir el riesgo de lesiones personales graves, apague la herramienta y desconéctela de la fuente de alimentación antes de realizar ajustes o de retirar/instalar dispositivos o accesorios. Un arranque accidental podría causar lesiones.

**⚠ ADVERTENCIA:**

- Sólo se debe ejercer una ligera presión sobre la herramienta. Una presión excesiva no acelera el taladrado, sino que reduce la efectividad de la herramienta e incluso puede reducir su vida útil.
- Si el accesorio se atasca, pare el motor y levante lentamente el accesorio de la pieza de trabajo antes de reanudar el trabajo.
- Use siempre la cadena de seguridad.

## Antes de usar la herramienta

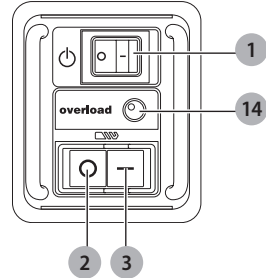
**⚠ ADVERTENCIA:** Inspeccione la cadena antes de cada uso, para determinar si se ha producido algún desgaste o daño. Cámbiela si es necesario.

Pruebe con unos proyectos sencillos utilizando material de desecho hasta que se acostumbre al funcionamiento de la máquina.

## Encender y apagar (Fig. A, I)

Para un manejo correcto, la máquina debe encenderse siguiendo el procedimiento descrito a continuación.

Fig. J



## Encendido y apagado

Conecte la máquina a la red eléctrica.

Para encender la máquina, apriete el interruptor de encendido magnético **1** a la posición de encendido **12**.

**NOTA:** Una vez que la herramienta esté encendida, el imán se activará automáticamente.

Para apagar la máquina, apriete el interruptor de encendido magnético hasta la posición de apagado **15**.

## Encendido y apagado del motor del taladro

**⚠ ADVERTENCIA:** Compruebe que el imán haya asegurado el taladro a la pieza de trabajo antes de encender el motor.

El motor del taladro solamente puede encenderse cuando el imán está activado.

Para encender el motor del taladro, apriete el botón verde **3** en el interruptor del motor.

Para apagar el motor del taladro, apriete el botón rojo ② en el interruptor del motor.

### Restablecimiento de la máquina

Si se corta la electricidad cuando esté utilizándose la herramienta, o si en cualquier momento se pierde el agarre magnético, la máquina debe restablecerse.

1. Apague primero el motor del taladro y posteriormente el imán.
2. Asegúrese de que el área de trabajo esté limpia.
3. Encienda el interruptor de encendido magnético.

### Protección de sobrecarga

El taladro de base magnética DeWALT está equipado con una función de protección de sobrecarga para evitar el daño al motor si se aplican cargas excesivas durante el funcionamiento.

La luz indicadora LED ⑭ estará intermitente como advertencia de que se está aplicando una carga excesiva. Si ocurre esto reduzca la presión que se aplica hasta que la luz esté verde constantemente. Si no se reduce la presión, la sobrecarga activará la potencia de corte y en ese momento la LED estará roja. Si ocurre esto ponga la unidad en funcionamiento sin carga durante varios segundos para dejar que el motor se enfríe antes de continuar con la operación de taladrado.

### Realización de un orificio (Fig. J)



**ADVERTENCIA:** Compruebe que el imán haya asegurado el taladro a la pieza de trabajo antes de encender el motor.

1. Aplique siempre un fluido, refrigerante o lubricante de corte apropiado en la zona de corte.
2. Asegúrese de que la punta de la broca o la guía de la fresa estén correctamente instaladas sobre el punto donde se va a taladrar.
3. Apriete el botón verde ③ del interruptor del motor para encender el motor.
4. Haga avanzar lentamente el accesorio en la pieza de trabajo utilizando la empuñadura de avance.
5. Al comenzar el corte, aplique una presión ligera para permitir que el accesorio haga el ranurado inicial.
6. Continúe aplicando la presión suficiente para lograr un corte uniforme y progresivo. No ejerza demasiada fuerza.

**NOTA:** La luz indicadora LED ⑭ estará intermitente (roja) para indicar que se está aplicando demasiada presión. Si ocurre esto reduzca la presión que se aplica hasta que la luz cambie a (verde) constante.

7. La presión ejercida sobre la empuñadura es demasiado alta cuando el soporte se afloja de la superficie de trabajo.
8. Tenga especial cuidado cuando el accesorio esté a punto de traspasar la superficie para evitar el astillamiento.
9. Apague siempre el motor y luego el imán, en ese orden particular, cuando se termine el trabajo y antes de desenchufar la máquina.

### Perforación con fresas anulares

1. Las fresas anulares únicamente cortan material en la periferia del orificio. Como resultado de esto, la energía necesaria para hacer un orificio es inferior que para una broca helicoidal.
2. Al taladrar con una fresa anular, no es necesario taladrar un orificio guía.



**ATENCIÓN:** No toque la fresa ni las piezas cercanas a ésta inmediatamente después del funcionamiento, ya que pueden estar muy calientes y pueden provocar quemaduras en la piel. Asegúrese de que nadie se encuentre en el área de trabajo cuando el núcleo de metal se expulse.

### Condiciones de taladrado

La facilidad con la que podrá taladrar el material depende de varios factores, incluyendo la fuerza de tensión y la resistencia a la abrasión. A pesar de que la dureza y/o la fuerza sean los criterios habituales, pueden registrarse muchas variaciones en la maniobrabilidad entre materiales que muestren propiedades físicas similares. Las condiciones de taladrado dependen de los requisitos de duración de la herramienta y del acabado de superficie. Estas condiciones se restringen aún más por la rigidez de la herramienta y de la pieza de trabajo, la lubricación y la alimentación disponible de la máquina. Cuanto más duro sea el material, menor será la velocidad de corte. Algunos materiales muy blandos contienen sustancias abrasivas que dan lugar a un desgaste rápido de los bordes de corte a altas velocidades. La velocidad de alimentación depende de la rigidez de la configuración, del volumen del material a retirar, del acabado de la superficie y de la alimentación disponible de la máquina.

### MANTENIMIENTO



**ADVERTENCIA:** Para reducir el riesgo de lesiones personales graves, apague la herramienta y desconecte la fuente de alimentación antes de realizar ajustes o de retirar/instalar dispositivos o accesorios. Un arranque accidental podría causar lesiones.

### Carbones

El motor se parará automáticamente para indicar que las escobillas de carbón están casi desgastadas y que es necesario hacerle el mantenimiento a la herramienta. Las escobillas de carbón no pueden ser reparadas por el usuario. Lleve la herramienta a un agente de reparaciones autorizado de DeWALT.

### Lubricación

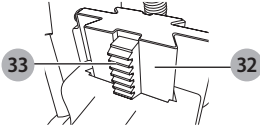
#### Lubricación del recorrido de avance (Fig. K)

El recorrido de avance debe lubricarse periódicamente con grasa para garantizar un funcionamiento suave.

1. Levante la unidad del motor a la posición más alta posible.

## ESPAÑOL

- Lubrique el recorrido de la guía en cola de milano **32** a ambos lados.
- Lubrique la rejilla dentada **33**.  
Fig. K



Después de un uso repetido, la cama puede aflojarse. Si fuera necesario, ajuste los 5 tornillos de ajuste autobloqueantes del lado izquierdo. Apriete los tornillos en serie hasta que la cama se mueva libremente en la superficie deslizante pero sin permitir que el motor se mueva.

## Limpieza



**ADVERTENCIA:** *Sople la suciedad y el polvo de todos los conductos de ventilación con aire seco, al menos una vez por semana. Para reducir el riesgo de lesiones, utilice siempre protección para los ojos aprobada ANSI Z87.1 al realizar esta tarea.*



**ADVERTENCIA:** *Nunca utilice solventes ni otros químicos abrasivos para limpiar las piezas no metálicas de la herramienta. Estos productos químicos pueden debilitar los materiales plásticos utilizados en estas piezas. Utilice un paño humedecido sólo con agua y jabón neutro. Nunca permita que penetre líquido dentro de la herramienta ni sumerja ninguna de las piezas en un líquido.*

## Accesorios



**ADVERTENCIA:** *Debido a que no se han probado con este producto otros accesorios que no sean los que ofrece DeWALT, el uso de dichos accesorios con esta herramienta podría ser peligroso. Para reducir el riesgo de lesiones, con este producto deben usarse sólo los accesorios recomendados por DeWALT.*

Los accesorios que se recomiendan para utilizar con la herramienta están disponibles a un costo adicional en su distribuidor local o en un centro de mantenimiento autorizado. Si necesita ayuda para localizar algún accesorio, póngase en contacto con DeWALT Industrial Tool Co., 701 East Joppa Road, Towson, MD 21286, llame al 1-800-4-DeWALT (1-800-433-9258) o visite nuestro sitio web: [www.dewalt.com](http://www.dewalt.com).

## Reparaciones

El cargador y las unidades de batería no pueden ser reparados.



**ADVERTENCIA:** *Para asegurar la SEGURIDAD y la CONFIABILIDAD del producto, las reparaciones, el mantenimiento y los ajustes deben (inclusive inspección y cambio de carbones) ser realizados en un centro de mantenimiento en la fábrica DeWALT u en un centro de mantenimiento autorizado DeWALT. Utilice siempre piezas de repuesto idénticas.*

## Para reparación y servicio de sus herramientas eléctricas, favor de dirigirse al Centro de Servicio más cercano

### CULIACAN, SIN

Bldv.Emiliano Zapata 5400-1 Poniente Col. (667) 717 89 99  
San Rafael

### GUADALAJARA, JAL

Av. La Paz #1779 - Col. Americana Sector (33) 3825 6978  
Juárez

### MEXICO, D.F.

Eje Central Lázaro Cárdenas No. 18 - Local (55) 5588 9377  
D, Col. Obrera

### MERIDA, YUC

Calle 63 #459-A - Col. Centro (999) 928 5038

### MONTERREY, N.L.

Av. Francisco I. Madero 831 Poniente - Col. (818) 375 23 13  
Centro

### PUEBLA, PUE

17 Norte #205 - Col. Centro (222) 246 3714

### QUERETARO, QRO

Av. San Roque 274 - Col. San Gregorio (442) 2 17 63 14

### SAN LUIS POTOSI, SLP

Av. Universidad 1525 - Col. San Luis (444) 814 2383

### TORREON, COAH

Bldv. Independencia, 96 Pte. - Col. Centro (871) 716 5265

### VERACRUZ, VER

Prolongación Díaz Mirón #4280 - Col. (229) 921 7016  
Remes

### VILLAHERMOSA, TAB

Constitución 516-A - Col. Centro (993) 312 5111

### PARA OTRAS LOCALIDADES:

**Si se encuentra en México, por favor llame al  
(55) 5326 7100**

**Si se encuentra en U.S., por favor llame al  
1-800-433-9258 (1-800-4-DeWALT)**

## Póliza de Garantía

IDENTIFICACIÓN DEL PRODUCTO:

Sello o firma del Distribuidor.

Nombre del producto: \_\_\_\_\_

Mod./Cat.: \_\_\_\_\_

Marca: \_\_\_\_\_

Núm. de serie: \_\_\_\_\_

(Datos para ser llenados por el distribuidor)

Fecha de compra y/o entrega del producto:

Nombre y domicilio del distribuidor donde se adquirió el producto:

Este producto está garantizado por un año a partir de la fecha de entrega, contra cualquier defecto en su

funcionamiento, así como en materiales y mano de obra empleados para su fabricación. Nuestra garantía incluye la reparación o reposición del producto y/o componentes sin cargo alguno para el cliente, incluyendo mano de obra, así como los gastos de transportación razonablemente erogados derivados del cumplimiento de este certificado.

Para hacer efectiva esta garantía deberá presentar su herramienta y esta póliza sellada por el establecimiento comercial donde se adquirió el producto, de no contar con ésta, bastará la factura de compra.

### Excepciones

Esta garantía no será válida en los siguientes casos:

- Cuando el producto se hubiese utilizado en condiciones distintas a las normales;
- Cuando el producto no hubiese sido operado de acuerdo con el instructivo de uso que se acompaña;
- Cuando el producto hubiese sido alterado o reparado por personas distintas a las enlistadas al final de este certificado.

Anexo encontrará una relación de sucursales de servicio de fábrica, centros de servicio autorizados y franquiciados en la República Mexicana, donde podrá hacer efectiva su garantía y adquirir partes, refacciones y accesorios originales.

### Registro en línea

Gracias por su compra. Registre su producto ahora para:

- **SERVICIO EN GARANTÍA:** Si completa esta tarjeta, podrá obtener un servicio en garantía más eficiente, en caso de que exista un problema con su producto.
- **CONFIRMACIÓN DE PROPIEDAD:** En caso de una pérdida que cubra el seguro, como un incendio, una inundación o un robo, el registro de propiedad servirá como comprobante de compra.
- **PARA SU SEGURIDAD:** Si registra el producto, podremos comunicarnos con usted en el caso improbable que se deba enviar una notificación de seguridad conforme a la Federal Consumer Safety Act (Ley Federal de Seguridad de Productos para el Consumidor).

Registro en línea en [www.dewalt.com/register](http://www.dewalt.com/register).

### Garantía limitada por tres años

DeWALT reparará, sin cargo, cualquier falla que surja de defectos en el material o la fabricación del producto, por hasta tres años a contar de la fecha de compra. Esta garantía no cubre fallas de las piezas causadas por su desgaste normal o abuso a la herramienta. Para mayores detalles sobre la cobertura de la garantía e información acerca de reparaciones realizadas bajo garantía, visítenos en [www.dewalt.com](http://www.dewalt.com) o diríjase al centro de servicio más cercano. Esta garantía no aplica a accesorios o a daños causados por reparaciones realizadas o intentadas por terceros. Esta garantía le otorga derechos legales específicos, además de los cuales puede tener otros dependiendo del estado o la provincia en que se encuentre.

Además de la garantía, las herramientas DeWALT están cubiertas por:

### 1 AÑO DE SERVICIO GRATUITO

DeWALT mantendrá la herramienta y reemplazará las piezas gastadas por su uso normal, sin cobro, en cualquier momento durante un año a contar de la fecha de compra. Los artículos gastados por la clavadora, tales como la unidad de hoja y retorno del impulsador, no están cubiertas.

### GARANTÍA DE REEMBOLSO DE SU DINERO POR 90 DÍAS

Si no está completamente satisfecho con el desempeño de su máquina herramienta, láser o clavadora DeWALT, cualquiera sea el motivo, podrá devolverlo hasta 90 días de la fecha de compra con su recibo y obtener el reembolso completo de su dinero – sin necesidad de responder a ninguna pregunta.

**AMÉRICA LATINA:** Esta garantía no se aplica a los productos que se venden en América Latina. Para los productos que se venden en América Latina, debe consultar la información de la garantía específica del país que viene en el empaque, llamar a la compañía local o visitar el sitio Web a fin de obtener esa información.

### REEMPLAZO GRATUITO DE LAS ETIQUETAS DE

**ADVERTENCIAS:** Si sus etiquetas de advertencia se vuelven ilegibles o faltan, llame al 1-800-433-9258 (1-800-4-DeWALT) para que se le reemplacen gratuitamente.

### Especificaciones

	<b>DWE1622</b>
Tensión de alimentación	120 V~
Consumo de corriente	10 A
Frecuencia	60 Hz
Potencia nominal	1200 W
Rotación sin carga	300/450/min
Solamente para propósito de México:	
Importado por: DeWALT Industrial Tool Co. S.A. de C.V.	
Avenida Antonio Dovali Jaime, # 70 Torre B Piso 9	
Colonia La Fe, Santa Fé	
Código Postal : 01210	
Delegación Alvaro Obregón	
México D.F.	
Tel. (52) 555-326-7100	
R.F.C.: BDE810626-1W7	





DeWALT Industrial Tool Co., 701 East Joppa Road, Towson, MD 21286  
(MAY19) Part No. N741808 DWE1622 Copyright © 2016, 2019 DeWALT

The following are trademarks for one or more DeWALT power tools: the yellow and black color scheme, the “D” shaped air intake grill, the array of pyramids on the handgrip, the kit box configuration, and the array of lozenge-shaped humps on the surface of the tool.