

If you have questions or comments, contact us.
 Pour toute question ou tout commentaire, nous contacter.
 Si tiene dudas o comentarios, contáctenos.

1-800-4-DEWALT • www.dewalt.com

INSTRUCTIVO DE OPERACIÓN, CENTROS DE SERVICIO Y PÓLIZA DE GARANTÍA. ADVERTENCIA: LEASE ESTE INSTRUCTIVO ANTES DE USAR EL PRODUCTO.

INSTRUCTION MANUAL
 GUIDE D'UTILISATION
 MANUAL DE INSTRUCCIONES

DEWALT®

DW861W Heavy-Duty 4-1/2" (114 mm) Wet/Dry Masonry Saw

DW861W scie à maçonnerie à sec/à l'eau de 114 mm (4-1/2 po) à service intensif

Sierra industrial de 114 mm (4-1/2 pulg.) de corte húmedo o seco para mampostería DW861W

DEWALT Industrial Tool Co., 701 Joppa Road, Baltimore, MD 21286

(MAR05) Form No. 626652-00 DW861W Copyright © 2005 DEWALT

The following are trademarks for one or more DEWALT power tools: the yellow and black color scheme; the "D" shaped air intake grill; the array of pyramids on the handgrip; the kit box configuration; and the array of lozenge-shaped humps on the surface of the tool.

IF YOU HAVE ANY QUESTIONS OR COMMENTS ABOUT THIS OR ANY DEWALT TOOL, CALL US TOLL FREE AT: 1-800-4-DEWALT (1-800-433-9258)

General Safety Instructions

WARNING: Read and understand all instructions. Failure to follow all instructions listed below, may result in electric shock, fire and/or serious personal injury.

SAVE THESE INSTRUCTIONS

WORK AREA

- Keep your work area clean and well lit. Cluttered benches and dark areas invite accidents.
- Do not operate power tools in explosive atmospheres, such as in the presence of flammable liquids, gases, or dust. Power tools create sparks which may ignite the dust or fumes.
- Keep bystanders, children, and visitors away while operating a power tool. Distractions can cause you to lose control.

ELECTRICAL SAFETY

- Grounded tools must be plugged into an outlet properly installed and grounded in accordance with all codes and ordinances. Never remove the grounding prong or modify the plug in any way. Do not use any adaptor plugs. Check with a qualified electrician if you are in doubt as to whether the outlet is properly grounded. If the tools should electrically malfunction or break down, grounding provides a low resistance path to carry electricity away from the user. **Applicable only to Class I (grounded) tools.**
- Double insulated tools are equipped with a polarized plug (one blade is wider than the other.) This plug will fit in a polarized outlet only one way. If the plug does not fit fully in the outlet, reverse the plug. If it still does not fit, contact a qualified electrician to install a polarized outlet. Do not change the plug in any way. Double insulation eliminates the need for the three wire grounded power cord and grounded power supply system. **Applicable only to Class II (double insulated) tools.**
- Avoid body contact with grounded surfaces such as pipes, radiators, ranges and refrigerators. There is an increased risk of electric shock if your body is grounded.
- Don't expose power tools to rain or wet conditions. Water entering a power tool will increase the risk of electric shock.
- Do not abuse the cord. Never use the cord to carry the tools or pull the plug from an outlet. Keep cord away from heat, oil, sharp edges or moving parts. Replace damaged cords immediately. Damaged cords increase the risk of electric shock.
- When operating a power tool outside, use an outdoor extension cord marked "W-A" or "W." These cords are rated for outdoor use and reduce the risk of electric shock. When using an extension cord, be sure to use one heavy enough to carry the current your product will draw. An undersized cord will cause a drop in line voltage resulting in loss of power and overheating. The following table shows the correct size to use depending on cord length and nameplate ampere rating. If in doubt, use the next heavier gage. The smaller the gage number, the heavier the cord.

Minimum Gage for Cord Sets

Volts	Total Length of Cord in Feet			
	0-25	26-50	51-100	101-150
120V				
240V				
Ampere Rating	AWG			
More Than	Not more Than			
10	12	16	16	14
12	16	14	12	Not Recommended

PERSONAL SAFETY

- Stay alert, watch what you are doing and use common sense when operating a power tool. Do not use tool while tired or under the influence of drugs, alcohol, or medication. A moment of inattention while operating power tools may result in serious personal injury.
- Dress properly. Do not wear loose clothing or jewelry. Contain long hair. Keep your hair, clothing, and gloves away from moving parts. Loose clothing, jewelry, or long hair can be caught in moving parts. Air vents often cover moving parts and should also be avoided.

- Avoid accidental starting. Be sure switch is off before plugging in. Carrying tools with your finger on the switch or plugging in tools that have the switch on invites accidents.
- Remove adjusting keys or wrenches before turning the tool on. A wrench or a key that is left attached to a rotating part of the tool may result in personal injury.
- Do not overreach. Keep proper footing and balance at all times. Proper footing and balance enables better control of the tool in unexpected situations.
- Use safety equipment. Always wear eye protection. Dust mask, non-skid safety shoes, hard hat, or hearing protection must be used for appropriate conditions.

TOOL USE AND CARE

- Use clamps or other practical way to secure and support the workpiece to a stable platform. Holding the work by hand or against your body is unstable and may lead to loss of control.
- Do not force tool. Use the correct tool for your application. The correct tool will do the job better and safer at the rate for which it is designed.
- Do not use tool if switch does not turn it on or off. Any tool that cannot be controlled with the switch is dangerous and must be repaired.
- Disconnect the plug from the power source before making any adjustments, changing accessories, or storing the tool. Such preventative safety measures reduce the risk of starting the tool accidentally.
- Store idle tools out of reach of children and other untrained persons. Tools are dangerous in the hands of untrained users.
- Maintain tools with care. Keep cutting tools sharp and clean. Properly maintained tools, with sharp cutting edges are less likely to bind and are easier to control.
- Check for misalignment or binding of moving parts, breakage of parts, and any other condition that may affect the tool's operation. If damaged, have the tool serviced before using. Many accidents are caused by poorly maintained tools.
- Use only accessories that are recommended by the manufacturer for your model. Accessories that may be suitable for one tool, may become hazardous when used on another tool.

SERVICE

- Tool service must be performed only by qualified repair personnel. Service or maintenance performed by unqualified personnel could result in a risk of injury.
- When servicing a tool, use only identical replacement parts. Follow instructions in the Maintenance section of this manual. Use of unauthorized parts or failure to follow maintenance instructions may create a risk of electric shock or injury.

Additional Specific Safety Instructions for Masonry Saws

- Do not reach underneath the work. The guard can not protect you from the blade below the work.
- NEVER hold piece being cut in your hands or across your leg. It is important to support the work properly to minimize body exposure, blade binding, or loss of control.
- Hold tool by insulated gripping surfaces when performing an operation where the cutting tool may contact hidden wiring. Contact with a "live" wire will make exposed metal parts of the tool "live" and shock the operator.
- Always use blades with correct size [(5/8" (16 mm))] and shape (round) arbor holes. Blades that do not match the mounting hardware of the saw will run eccentrically, causing loss of control.
- Never use damaged or incorrect blade washers or bolts. The blade washers and bolts were specially designed for your saw, for optimum performance and safety of operation.
- Don't unplug if plug or receptacle is wet. Disconnect the fuse or circuit breaker that supplies power to the tool. Then unplug and examine for presence of water in the receptacle.
- Wait for the saw to come to a complete stop. An unprotected, coasting blade will cause the saw to walk backwards, cutting whatever is in its path. Be aware of the time it takes for the blade to stop after switch is released.
- Never use any blades with expansion or segmented (toothed) rims. This tool is not equipped with a lower guard.

WARNING: Keep hands away from cutting area and blade. Personal injury may result.

WARNING: Always plug extension cord into a GFCI protected outlet.

WARNING: To reduce the risk of electrocution, keep all connections dry and off the ground. Do not touch plug with wet hands.

WARNING: A Ground Fault Circuit Interrupter (GFCI) is provided on the cord set. Receptacles are available having built in GFCI protection and may be used for an added measure of safety. When using an extension cord, always plug into a GFCI protected receptacle or outlet.

WARNING: Test GFCI before each use:

- Plug GFCI into power outlet. Indicator should turn red.
- Press test button. Red indicator should disappear.
- Press reset button for use. Do not use if above test fails.

WARNING: Never use saw with salt water or a conductive fluid.

WARNING: Always use eye protection. All users and bystanders must wear eye protection that conforms to ANSI Z87.1.

CAUTION: WHEN SERVICING USE ONLY IDENTICAL REPLACEMENT PARTS. Repair or replace damaged cords.

CAUTION: Do not connect unit to electrical power source until complete instructions are read and understood.

CAUTION: Wear appropriate hearing protection during use. Under some conditions and duration of use, noise from this product may contribute to hearing loss.

WARNING: Some dust created by power sanding, sawing, grinding, drilling, and other construction activities contains chemicals known to the State of California to cause cancer, birth defects, or other reproductive harm. Some examples of these chemicals are:

- lead from lead-based paints,
- crystalline silica from bricks and cement and other masonry products, and
- arsenic and chromium from chemically-treated lumber (CCA).

Your risk from these exposures varies, depending on how often you do this type of work. To reduce your exposure to these chemicals: work in a well ventilated area, and work with approved safety equipment, such as those dust masks that are specially designed to filter out microscopic particles.

Avoid prolonged contact with dust from power sanding, sawing, grinding, drilling, and other construction activities. Wear protective clothing and wash exposed areas with soap and water. Allowing dust to get into your mouth, eyes, or lay on the skin may promote absorption of harmful chemicals.

WARNING: Use of this tool can generate and/or disburse dust, which may cause serious and permanent respiratory or other injury. Always use NIOSH/OSHA approved respiratory protection appropriate for the dust exposure. Direct particles away from face and body.

The label on your tool may include the following symbols. The symbols and their definitions are as follows:

V	volts	A	amperes
Hz	hertz	W	watts
min	minutes	~	alternating current
====	direct current	n _o	no load speed
□	Class II Construction	.../min	revolutions per minute
⊕	earthing terminal	▲	safety alert symbol

COMPONENTS (Fig. 1)

- | | |
|--------------------------------------|------------------------------|
| A. GFCI on cord set | K. Tapping screw |
| B. On/Off Switch | L. Water nozzle |
| C. Lock-On button | M. Depth adjustment lever |
| D. Diamond blade | N. Shoe |
| E. External flange | O. Water valve lever |
| F. Clamping screw | P. Cutting guide |
| G. Water tubing | Q. Bevel adjustment wing nut |
| H. Tool inlet | R. Brush covers |
| I. Water tubing adapter | S. Brush assembly |
| J. Water pressure regulator (10 psi) | |

ASSEMBLY

Package contents:

- 1 4-1/2" (114 mm) Wet/dry masonry saw
- 1 Allen wrench
- 1 Water kit
- 1 Flange wrench
- Diamond blade
- 1 Instruction Manual

Switch (Fig. 1, 2)

▲ WARNING: To avoid the possibility of the appliance plug or receptacle getting wet, position the saw to one side of a wall mounted receptacle to prevent water from dipping onto the receptacle or plug. The user should arrange a "drip loop" in the cord connecting the saw to a receptacle (Fig. 2). The "drip loop" is that part of the cord below the level of the receptacle, or the connector if an extension cord is used, to prevent water traveling along the cord and coming in contact with the receptacle.

▲ CAUTION: Before plugging in tool, always check to see that the switch actuates properly and returns to the OFF position when released.

1. Depress and hold the switch (B) to start operation.
2. For continuous operation, press the lock-on button (C) and release the switch. To disengage the locking button, depress then release the switch.

To Install the Diamond Blade (Fig. 3)

1. Place saw on a stable surface.
2. Place blade (D) on spindle.
3. Using the flange wrench provided, hold the external flange (E)
4. Turn the clamping screw (F) counterclockwise to tighten. Use the Allen wrench provided to secure tightly.
5. To remove the blade, reverse this procedure.

Water Valve Assembly

▲ WARNING: Never use water valve assembly without a properly functioning pressure regulator. This could cause damage to the water tubing if excessive pressure builds up.

1. Never use the saw over head. When using water, limit cutting to the horizontal position to reduce the risk of water entering the tool.
2. Prior to using the tool with the water valve assembly, inspect water tubing (G) for holes cracks or other damage. Replace with identical replacement parts if a potential weakened or damaged area is found. Check connections at the tool inlet (H), water valve and adapter (I) for leaks. If the connection is loose or the tubing is relaxed around barbs, disconnect tubing, trim tubing back approximately 1", then reconnect tubing. Ensure that tubing is pushed all the way past the barb(s). Check to ensure tight connection.
3. When using the water kit, always use the water pressure regulator (J) provided. Firmly attach the regulator to the water source, but do not overtighten. Be sure to use the filter washer (inside regulator intake end) to prevent contaminants from clogging water jet ports. If regulator is lost or damaged, replace with identical replacement part per the Parts Bulletin.

Mounting the Wet Cut System

▲ WARNING: Do not use wet cut system unless tool is protected by a GFCI.

This system minimizes airborne dust particles while improving cutting quality and blade life.

1. Unclamp the depth adjustment lever (M) and pull shoe to it's minimum depth of cut position.
2. Using a flat bladed or T20 torx screwdriver, remove the tapping screw (K) located below the depth adjustment lever mounted to the casting.
3. Position the water valve assembly such that the hole in the water valve assembly aligns with the screw hole located in the casting and the forked water valve (L) straddles the blade.
4. Secure in place with tapping screw. DO NOT overtighten the tapping screw; this could damage the water valve assembly.

Use of Extension Cords

- Always plug extension cord into a GFCI receptacle.
- Use only extension cords that are intended for outdoor use. These extension cords are identified by a marking "Acceptable for use with outdoor appliance; store indoors while not in use."
- Use only extension cords having an electrical rating not less than the rating of the product.
- Do not use damaged extension cords. Examine extension cord before using and replace if damaged.
- Do not abuse extension cords and do not yank on any cord to disconnect.

Motor

Be sure your power supply agrees with the nameplate marking. Voltage decrease of more than 10% will cause loss of power and overheating. All DeWALT tools are factory tested; if this tool does not operate, check the power supply.

- Keep cord away from heat and sharp edges.
- Always disconnect the extension cord from the receptacle before disconnecting the product from the extension cord.

OPERATION

▲ CAUTION: Use the appropriate blade. Do not use cracked, damaged or excessively worn blades.

▲ CAUTION: Wait for the blade to reach the maximum speed and use a slow even feed for proper cutting.

▲ CAUTION: The DW861W should only be used on horizontal surfaces (see **Water Valve Assembly** above).

Depth of Cut Adjustment (Fig. 4)

1. Push the depth adjustment lever (M) down to release.
2. Move the shoe (N) up or down to desired position.
3. Pull the depth adjustment lever up to tighten.

TO ADJUST THE DEPTH ADJUSTMENT LEVER POSITION

The depth adjustment lever has been preset for better positioning. To make any adjustments, use the following procedure:

1. Firmly tighten the depth adjustment lever.
2. Turn the screw that secures the lever in place counterclockwise to loosen completely. Remove the lever and screw together from the nut. (The screw is spring loaded, try not to separate these parts).
3. Set the lever to the desired position.
4. Tighten the screw turning it clockwise.

WET CUT METHOD

▲ WARNING: Do not use wet cut system unless tool is protected by a GFCI.

▲ WARNING: To reduce the risk of electric shock, ensure water will not enter into your tool. Do not touch plug with wet hands.

1. Follow the instructions described under **Mounting the Wet Cut System**.
2. To regulate the water flow, open the water valve by pivoting the lever (O) away from the unit.
3. To close water valve, push the lever toward the unit.
3. Proceed as described below for straight or angled cuts.

STRAIGHT CUTS

1. Using a marker or grease pencil, mark the area to be cut.
2. Place the shoe of the saw on the workpiece ensuring that the blade does not touch the workpiece.
3. Align the external part of the cutting guide (P) with the cut outline on the workpiece.
4. Turn the tool on and wait for the blade to reach its maximum velocity.
5. Move the tool slowly and evenly forward, following the cut line.

ANGLED CUTS (FIG. 5)

1. Using a marker or grease pencil, mark the area to be cut.
2. Release the bevel adjustment wing nut (Q) and move it to the desired angle.
3. After selecting the desired angle, tighten the wing nut to secure the shoe.
4. Align the internal part of the cutting guide (P) with the cut line on the workpiece.
5. Turn the tool on and wait for the blade to reach its maximum velocity.
6. Move the tool slowly and evenly forward, following the cut line.

MAINTENANCE

Brushes (Fig. 6, 7)

▲ CAUTION: Turn off and unplug the tool before making any adjustments or removing or installing attachments or accessories. Be sure the switch is in the OFF position.

FIG. 1

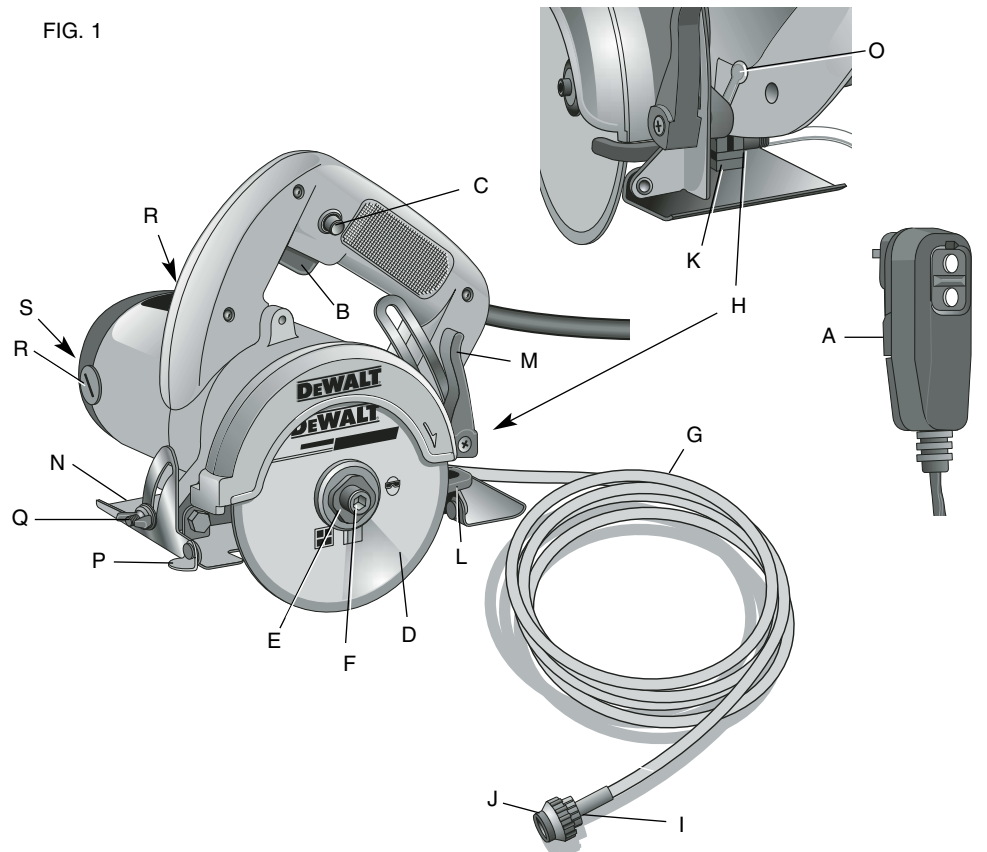


FIG. 2

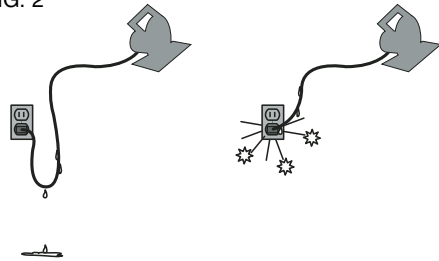


FIG. 3

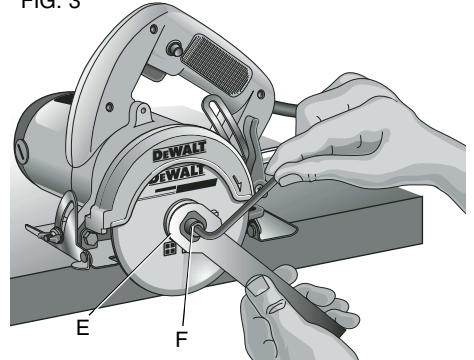


FIG. 4

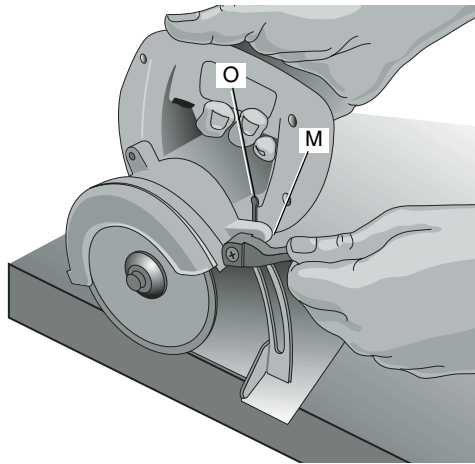


FIG. 5

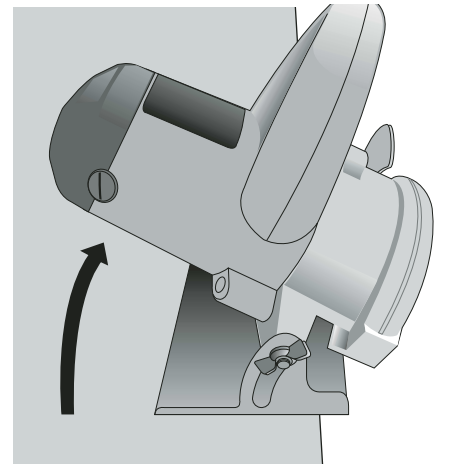


FIG. 6

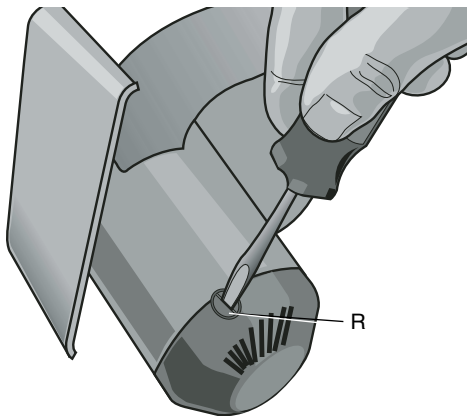


FIG. 7

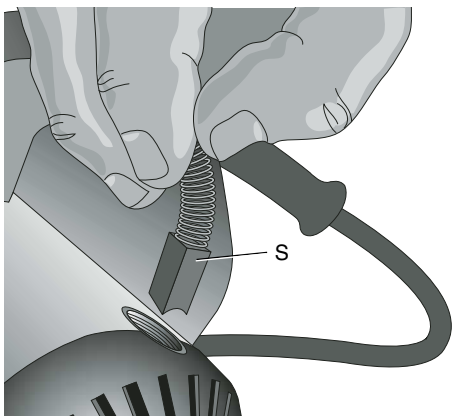
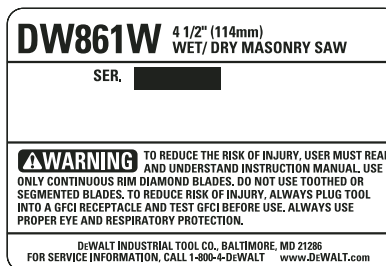


FIG. 8



Inspect carbon brushes regularly by unplugging tool, removing the brush covers (R) and withdrawing the brush assemblies (S).

Keep brushes clean and sliding freely in their guides. Always replace the brush in the same orientation in the holder as the used brush was prior to its removal. Carbon brushes have varying symbols stamped into their sides, and if the brush is worn down to the line closest to the spring, brushes must be replaced. Use only identical DeWALT brushes. Use of the correct grade of brush is essential for proper operation. New brush assemblies are available at DeWALT service centers. The tool should be allowed to "run in" (run at no load) for 10 minutes before use to seat new brushes.

⚠ CAUTION: While "running in," DO NOT TIE, TAPE OR OTHERWISE LOCK THE SWITCH ON. HOLD BY HAND ONLY.

Lubrification

⚠ WARNING: NEVER spray or in any other way apply lubricants or cleaning solvents inside the tool. This can seriously affect the life and performance of the tool and may result in personal injury.

DeWALT tools are properly lubricated at the factory and are ready for use. However, it is recommended that, once a year, you take or send the tool to a certified service center for a thorough cleaning and inspection.



ACCESSORIES

⚠ CAUTION: The use of any other accessory not recommended for use with this tool could be hazardous.

Recommended accessories for use with your tool are available at extra cost from your local dealer or authorized service center. If you need assistance in locating an authorized service center contact: DeWALT Industrial Tool Co., 701 East Joppa Road, Baltimore, MD 21286 or call 1-800-4-DEWALT (1-800-433-9258).

Repairs

To assure product SAFETY and RELIABILITY, repairs, maintenance and adjustment (including brush inspection and replacement) should be performed by authorized service centers or other qualified service personnel, always using identical replacement parts.

Three Year Limited Warranty

DeWALT will repair, without charge, any defects due to faulty materials or workmanship for three years from the date of purchase. This warranty does not cover part failure due to normal wear or tool abuse. For further detail of warranty coverage and warranty repair information, visit www.dewalt.com or call 1-800-4-DEWALT (1-800-433-9258). This warranty does not apply to accessories or damage caused where repairs have been made or attempted by others. This warranty gives you specific legal rights and you may have other rights which vary in certain states or provinces.

In addition to the warranty, DeWALT tools are covered by our:

1 YEAR FREE SERVICE

DeWALT will maintain the tool and replace worn parts caused by normal use, for free, any time during the first year after purchase.

90 DAY MONEY BACK GUARANTEE

If you are not completely satisfied with the performance of your DeWALT Power Tool, Laser, or Nailer for any reason, you can return it within 90 days from the date of purchase with a receipt for a full refund – no questions asked.

RECONDITIONED PRODUCT: Reconditioned product is covered under the 1 Year Free Service Warranty. The 90 Day Money Back Guarantee and the Three Year Limited Warranty do not apply to reconditioned product.

FREE WARNING LABEL REPLACEMENT: If your warning labels (Fig. 8) become illegible or are missing, call 1-800-4-DEWALT for a free replacement.

SI VOUS AVEZ DES QUESTIONS OU VOUS VOULEZ NOUS FAIRE PART DE VOS COMMENTAIRES CONCERNANT CET OUTIL OU TOUT AUTRE OUTIL DEWALT, COMPOSEZ SANS FRAIS LE : 1 800 433-9258. (1-800-4-DEWALT).

Règles de sécurité – Généralités


⚠ AVERTISSEMENT : Il faut lire et comprendre toutes les directives. Le non-respect des directives présentées ci-dessous pourrait causer un choc électrique, un incendie et/ou des blessures graves.

CONSERVER CES DIRECTIVES

AIRE DE TRAVAIL

- **L'aire de travail doit être propre et bien éclairée.** Les établis encombrés et les endroits sombres peuvent entraîner des accidents.
- **Ne pas faire fonctionner des outils électriques dans des atmosphères explosives, comme en présence de liquides, de gaz et de poussières inflammables.** Les outils électriques produisent des étincelles qui peuvent enflammer la poussière ou les vapeurs
- **Tenir les enfants, les visiteurs ou toute autre personne à l'écart lorsqu'on utilise un outil électrique;** les distractions peuvent faire perdre la maîtrise de ce dernier.

MESURES DE SÉCURITÉ – ÉLECTRICITÉ

- **Les outils mis à la terre doivent être branchés dans une prise correctement installée et mise à la terre tel que l'indiquent les codes et règlements en vigueur. Ne jamais retirer la broche de mise à la terre ou modifier la prise en aucune façon. Ne pas utiliser de fiche d'adaptation. Consulter un électricien qualifié s'il y a un doute en ce qui concerne la mise à la terre de la prise.** En cas de défaillance électrique ou de bris de l'outil, la mise à la terre procure un chemin de faible résistance au courant afin de réduire les risques de choc électrique. Cette protection ne s'applique qu'aux outils de classe I (mis à la terre).
- **Les outils à double isolation sont munis d'une fiche polarisée (c'est-à-dire que l'une des lames est plus large que l'autre), laquelle ne peut être raccordée qu'à une prise polarisée et ce, dans un seul sens; on doit l'inverser si on est incapable de l'enfoncer complètement. Si la fiche ne s'adapte toujours pas, on doit faire appel à un électricien qualifié pour qu'il installe la prise appropriée. On ne doit jamais modifier la fiche.** La double isolation  élimine le besoin d'installer un cordon d'alimentation trifilaire et un système d'alimentation électrique pourvus d'une mise à la terre; seuls les outils de classe II (à double isolation) sont munis d'une telle protection.
- **Éviter tout contact entre le corps et les éléments mis à la terre, comme les tuyaux, les radiateurs, les cuisinières et les réfrigérateurs, afin de réduire les risques de choc électrique.**
- **Ne pas utiliser l'outil électrique dans des endroits mouillés, ni l'exposer à la pluie;** l'infiltration d'eau à l'intérieur de l'outil augmente les risques de choc électrique.
- **Ne pas utiliser le cordon de manière abusive; on ne doit pas transporter l'outil en le tenant par le cordon, ou utiliser ce dernier pour le débrancher. On doit tenir le cordon à l'écart des sources de chaleur, de l'huile, des bords tranchants ou des pièces mobiles. Remplacer immédiatement les cordons endommagés, car ces derniers augmentent les risques de choc électrique.**
- **Lorsqu'on utilise un outil électrique à l'extérieur, on ne doit utiliser que des rallonges conçues pour cet usage, comme celles de type « W-A » ou « W », afin de réduire les risques de choc électrique. S'assurer que la rallonge est en mesure de porter le courant nécessaire à l'outil. Une rallonge de calibre inférieur entraînera une chute de tension se traduisant par une perte de puissance et une surchauffe. Le tableau ci-dessous illustre les calibres que l'on doit utiliser selon la longueur de la rallonge et l'intensité nominale indiquée sur la plaque signalétique. En cas de doute, utiliser le calibre suivant. Plus le calibre est petit, plus la rallonge peut porter de courant.**

Calibre minimal des cordons de rallonge

Tension/Longueur totale du cordon en mètres

120 V	De 0 à 7	De 7 à 15	De 15 à 30	De 30 à 45
240 V	De 0 à 7	De 7 à 15	De 15 à 39	De 30 à 45

Intensité (A)

Au moins		Au plus		Calibre moyen de fil	
10	12	16	16	14	12
12	16	14	12	Non recommandé	

SÉCURITÉ PERSONNELLE

- **Rester vigilant en tout temps et faire preuve de jugement lorsqu'on utilise un outil électrique. Ne pas utiliser l'outil lorsqu'on est fatigué ou sous l'influence de drogues, d'alcool ou de médicaments, car un moment d'inattention pourrait entraîner des blessures graves.**
- **Porter des vêtements appropriés. Ne pas porter des vêtements amples ou des bijoux. Couvrir ou attacher les cheveux longs. Garder les cheveux, les vêtements, les bijoux**

et les gants éloignés des pièces mobiles, car ceux-ci peuvent s'y coincer. Se tenir éloigné des événements puisque ces derniers pourraient camoufler des pièces mobiles.

- **Éviter les démarrages accidentels; s'assurer que l'interrupteur est en position d'arrêt avant de brancher l'outil.** Ne pas transporter l'outil en laissant le doigt sur l'interrupteur ni le brancher lorsque l'interrupteur est en position de marche, car cela pourrait causer un accident.
- **Retirer les clés de réglage avant de démarrer l'outil.** Une clé laissée sur une pièce rotative pourrait entraîner des blessures.
- **Ne pas trop étendre les bras. Les pieds doivent rester ancrés fermement au sol afin de maintenir son équilibre en tout temps** et de mieux maîtriser l'outil dans des situations imprévues.
- **Utiliser le matériel de sécurité approprié; toujours porter des lunettes de protection.** Porter un masque anti-poussières, des chaussures antidérapantes, un casque de sécurité ou des protecteurs auditifs lorsque la situation le requiert.

UTILISATION ET ENTRETIEN DE L'OUTIL

- **Fixer et soutenir la pièce sur une plate-forme stable au moyen d'une bride de serrage ou de tout autre dispositif semblable.** La pièce est instable lorsqu'on la retient manuellement ou qu'on l'appuie contre le corps, ce qui pourrait faire perdre la maîtrise de l'outil.
- **Ne pas forcer l'outil ni l'utiliser pour des travaux autres que ceux pour lesquels il a été conçu.** Pour obtenir de meilleurs résultats et prévenir les risques de blessure, laisser l'outil couper à la vitesse pour laquelle il a été conçu.
- **Ne pas utiliser l'outil lorsque l'interrupteur marche-arrêt ne fonctionne pas.** Tout outil qui ne peut être commandé au moyen de l'interrupteur est dangereux et doit être réparé.
- **Débrancher l'outil de la source d'alimentation électrique avant d'effectuer un réglage, de changer les accessoires ou de ranger l'outil;** ces mesures de sécurité préventives réduisent les risques de démarrage accidentel.
- **Lorsqu'on n'utilise pas l'outil, le ranger hors de la portée des enfants ou des personnes non qualifiées.** Les outils sont dangereux entre les mains de personnes inexpérimentées.
- **Bien entretenir l'outil; s'assurer qu'il est toujours bien propre et aiguisé.** Les outils bien entretenus et dont les bords sont bien tranchants sont moins susceptibles de rester coincés et sont plus faciles à maîtriser.
- **Vérifier les pièces mobiles afin de s'assurer qu'elles sont bien alignées et qu'elles ne restent pas coincées. Vérifier également les pièces afin de s'assurer qu'il n'y a aucun bris ni aucune autre condition susceptible de nuire au bon fonctionnement de l'outil. Faire réparer l'outil si ce dernier est endommagé avant de s'en servir à nouveau, car les accidents sont souvent causés par des outils mal entretenus.**
- **N'utiliser que les accessoires recommandés par le fabricant pour le modèle concerné.** Un accessoire destiné à un outil particulier peut devenir dangereux lorsqu'il est utilisé avec un autre.

ENTRETIEN

- **L'outil doit être entretenu par le personnel qualifié seulement;** toute maintenance effectuée par une personne non qualifiée pourrait entraîner des risques de blessure.
- **Lors de l'entretien, n'utiliser que des pièces de rechange identiques et suivre les directives précisées à la section « Entretien » du présent guide** afin de prévenir les risques de choc électrique ou de blessure.

Instructions additionnelles de sécurité spécifiques aux scies à maçonnerie

- **NE JAMAIS maintenir la pièce à découper à l'aide des mains ou des jambes.** Il est important de maintenir le projet correctement pour minimiser tout danger corporel, pincement de lame ou perte de contrôle de l'outil.
- **Tenir l'outil par les surfaces isolées prévues à cette fin lorsqu'il risque d'entrer en contact avec des fils cachés,** car de tels contacts peuvent mettre les pièces métalliques de l'outil sous tension, engendrant des risques de choc électrique.
- **Toujours utiliser des lames de taille adéquate (16 mm ou 5/8 po) avec un alésage central façonné (arrondi).** Toute lame non conçue pour la ferrure de fixation de la scie fonctionnera de manière excentrique et provoquera la perte de contrôle de l'outil.
- **Ne jamais utiliser de rondelles ou boulons de lame endommagés ou inadéquats.** Les rondelles et boulons de lame ont été spécialement conçus pour cette scie, pour optimiser ses performances et sa sécurité d'emploi.
- **Ne pas débrancher l'outil si sa fiche ou la prise est humide.** Déconnecter le fusible ou le disjoncteur alimentant l'outil en courant. Débrancher ensuite l'appareil puis vérifier toute présence de liquide au niveau de la prise.
- **Attendre l'arrêt complet de la scie.** Une lame non protégée en roue libre provoquera la marche arrière de la scie qui coupera tout ce qui se trouvera sur son passage. Tenir compte du temps nécessaire à la lame pour s'arrêter complètement une fois l'interrupteur relâché.
- **Ne jamais utiliser de lames extensibles ou à couronne segmentée (dentée).** C'est un outil n'est pas équipé d'un dispositif de protection inférieur.

⚠ AVERTISSEMENT : Eloigner les mains des zones et organes de coupe pour prévenir tout risque de blessure.

⚠ AVERTISSEMENT : Toujours brancher la rallonge dans une prise homologuée GFCI.

⚠ AVERTISSEMENT : Afin de réduire les risques d'électrocution, s'assurer que tous les raccords sont secs et surélevés par rapport au sol. Ne pas toucher à la fiche avec les mains humides.

⚠ AVERTISSEMENT : Un disjoncteur de fuites à la terre (GFCI) est intégré au cordon d'alimentation. Pour un supplément de sécurité, des prises avec GFCI intégré sont vendues dans les magasins spécialisés. En cas d'utilisation d'une rallonge, toujours la brancher dans une prise ou sortie munie d'un GFCI.

⚠ AVERTISSEMENT : Effectuer un essai du disjoncteur de fuite de terre avant toute utilisation :

1. enfoncer le disjoncteur dans la prise de courant pour allumer le voyant rouge;
2. enfoncer le poussoir d'essai pour éteindre le voyant rouge;
3. enfoncer le bouton de réenclenchement avant d'utiliser l'outil; ne pas l'utiliser si l'essai a échoué.

⚠ AVERTISSEMENT : Ne jamais utiliser la scie avec de l'eau salée ou un fluide conducteur.

⚠ AVERTISSEMENT : Toujours porter des lunettes de protection. Tout utilisateur ou personne présente doit porter des lunettes de protection homologuées ANSI Z87.1.

⚠ MISE EN GARDE : LORS DE L'ENTRETIEN, N'UTILISER QUE DES PIÈCES DE RECHANGE IDENTIQUES. Faire réparer ou remplacer les cordons endommagés.

⚠ MISE EN GARDE : Lire et comprendre toutes les directives du présent manuel avant de raccorder l'outil à une source d'alimentation électrique.

⚠ MISE EN GARDE : Porter un appareil de protection personnel anti-bruit approprié durant l'utilisation. Sous certaines conditions et pendant toute la durée de l'utilisation, le bruit émanant de ce produit pourrait contribuer à la perte d'audition.

⚠ AVERTISSEMENT : Certains outils électriques, tels que les sableuses, les scies, les meules, les perceuses ou certains autres outils de construction, peuvent produire de la poussière contenant des produits chimiques susceptibles d'entraîner le cancer, des malformations congénitales ou pouvant être nocifs pour le système reproductif. Parmi ces produits chimiques, on retrouve :

- le plomb dans les peintures à base de plomb,
- la silice cristalline dans les briques et le ciment et autres produits de maçonnerie,
- l'arsenic et le chrome dans le bois de sciage ayant subi un traitement chimique (comme l'arséniat de cuivre et de chrome).

Le risque associé à de telles expositions varie selon la fréquence avec laquelle on effectue ces travaux. Pour réduire l'exposition à de tels produits, il faut travailler dans un endroit bien aéré et utiliser le matériel de sécurité approprié, tel un masque anti-poussières spécialement conçu pour filtrer les particules microscopiques.

- **Éviter tout contact prolongé avec la poussière soulevée par cet outil ou autres outils électriques. Porter des vêtements de protection et nettoyer les parties exposées du corps à l'eau savonneuse.** S'assurer de bien se protéger afin d'éviter d'absorber par la bouche, les yeux ou la peau des produits chimiques nocifs.

⚠ AVERTISSEMENT : Cet outil peut produire et répandre de la poussière susceptible de causer des dommages sérieux et permanents au système respiratoire. Toujours utiliser un appareil respiratoire anti-poussières approprié approuvé par le NIOSH ou l'OSHA. Diriger les particules dans le sens opposé du visage et du corps.

- L'étiquette apposée sur l'outil peut afficher les symboles suivants. Ces symboles et leurs définitions sont les suivants :

V	volts	A	ampères
Hz	hertz	W	watts
min	minutes	~	courant alternatif
====	courant continu	n _o	aucune option à vide
☐	construction de classe II	.../min	tours par minute
⊕	borne de terre	▲	symbole d'avertissement

COMPOSANTS (FIG. 1)

- | | |
|--|---|
| A. GFCI intégré au cordon | K. Vis autotaraudeuse |
| B. Interrupteur marche-arrêt | L. Buse d'eau |
| C. Bouton de verrouillage | M. Levier de réglage de profondeur |
| D. Disque diamant | N. Patin |
| E. Bride externe | O. Robinet à levier |
| F. Vis de serrage | P. Guide de coupe |
| G. Tubage | Q. Écrou à ailettes d'ajustement du chanfrein |
| H. Arrivée d'eau | R. Protège balai |
| I. Raccord de tubage | S. Module balai |
| J. Régulateur de pression d'eau (10 psi) | |

ASSEMBLAGE

Contenu de l'emballage :

- 1 scie à maçonnerie à sec/à l'eau de 114 mm (4-1/2 po)
- 1 kit eau
- Disque diamant
- 1 clé Allen
- 1 clé à bride
- 1 manuel de l'utilisateur

Interrupteur (fig. 1, 2)

▲ **AVERTISSEMENT** : Afin d'éviter de mouiller la fiche ou la prise de l'appareil, positionner la scie à côté d'une prise murale afin d'empêcher l'eau de s'égoutter sur la prise ou la fiche. L'utilisateur doit installer une « boucle d'égouttement » sur le cordon de la scie raccordé à la prise (fig. 6). La boucle est la partie du cordon située sous le niveau de la prise ou le connecteur lorsqu'une rallonge est utilisée afin d'empêcher l'eau de s'écouler le long du cordon et d'entrer en contact avec la prise.

▲ **MISE EN GARDE** : Avant de brancher l'outil, toujours vérifier que l'interrupteur fonctionne correctement et retourne en position d'arrêt une fois relâché.

1. Maintenir l'interrupteur (B) appuyé pour commencer à travailler.
2. Pour un travail continu, enfoncer le bouton de verrouillage (C) puis relâcher l'interrupteur. Pour désactiver le bouton de verrouillage, appuyer puis relâcher l'interrupteur.

Pour installer le disque diamant (fig. 3)

1. Poser la scie sur une surface stable.
2. Installer le disque (D) sur la broche.
3. À l'aide de la clé à bride fournie à cet effet, maintenir la bride externe (E).
4. Visser la vis de serrage (F) vers la gauche pour la serrer. Utiliser la clé Allen fournie à cet effet pour serrer à fond.
5. Pour retirer le disque, suivre la procédure inverse.

Module robinet d'adduction d'eau

▲ **AVERTISSEMENT** : Ne jamais utiliser le module robinet d'adduction d'eau sans un régulateur de pression en bon état de marche. Une pression excessive pourrait endommager le tubage.

1. Ne jamais utiliser la scie pour découper au-dessus de sa tête. En cas de découpe à l'eau, limiter toute découpe à une position horizontale pour protéger l'outil de toute infiltration d'eau.
2. Avant d'utiliser l'outil avec le module robinet d'adduction d'eau, vérifier que le tubage (G) ne comporte ni trous ni entailles ou tout autre dommage. Le remplacer par une pièce de rechange identique en cas de dommages ou dégradation. Vérifier qu'il n'y a aucune fuite au niveau de l'arrivée d'eau (H), du robinet et du raccord (I). Si la connexion est lâche ou le tubage est détendu au niveau des raccords, déconnecter le tubage, en couper environ 25,4 mm (1"), puis le reconnecter. S'assurer que le tubage est poussé à fond au delà du/des raccord(s). Vérifier que la connexion est bien serrée.
3. En cas de découpe à l'eau, toujours utiliser le régulateur de pression d'eau (J) fourni à cet effet. Fixer solidement le régulateur à la source d'eau, en faisant attention à ne pas trop serrer. S'assurer de bien insérer la rondelle du filtre (à l'intérieur de l'entrée d'eau du régulateur) pour prévenir le colmatage des orifices de passage. En cas de perte ou de dommages, changer le régulateur avec une pièce identique conformément au catalogue des pièces détachées.

Installation du système de découpe à l'eau

▲ **AVERTISSEMENT** : Ne pas utiliser le système de découpe à l'eau si l'outil n'est pas protégé par un GFCI.

Ce système minimise les poussières volantes tout en améliorant la qualité de la coupe et en augmentant la durée de vie des organes de coupe.

1. Desserrer le levier de réglage de profondeur (M) et tirer le patin sur la position de profondeur de coupe minimale.
2. À l'aide d'un tournevis ordinaire ou d'un tournevis à pointe à six lobes T20, retirer la vis autotaraudeuse (K) située sous le levier de réglage de profondeur monté sur le châssis.
3. Installer le module robinet d'adduction d'eau de façon à ce que le trou du module robinet s'aligne avec l'orifice de la vis situé sur le châssis et que le robinet en fourche (L) chevauche le disque.
4. Serrer l'ensemble à l'aide de la vis autotaraudeuse. Attention À NE PAS trop serrer la vis autotaraudeuse, cela pourrait endommager le module robinet d'adduction d'eau.

Rallonges

- Toujours enficher la rallonge dans une prise protégée par un disjoncteur de fuite de terre.
- N'utiliser que des rallonges conçues pour un usage à l'extérieur, et marquées à cet effet, comme celles portant l'indication suivante : « Cette rallonge peut être utilisée avec des appareils d'extérieur; la ranger à l'intérieur après chaque utilisation ».
- N'utiliser que des rallonges ayant une intensité nominale égale ou supérieure à celle du produit.
- Ne pas utiliser une rallonge endommagée; l'examiner avant de l'utiliser et la remplacer, au besoin.
- Ne pas utiliser la rallonge de manière abusive, ni la débrancher en tirant sur celle-ci.

Moteur

S'assurer que l'intensité nominale du cordon d'alimentation correspond à celle indiquée sur la plaque signalétique. Une chute de tension de plus de 10 % entraînera une perte de puissance et une surchauffe. Tous les outils DEWALT sont soumis à un essai en usine; si cet outil ne fonctionne pas, vérifier d'abord l'intensité nominale du cordon d'alimentation.

- Tenir les cordons, y compris les rallonges, à l'écart des sources de chaleur et des bords tranchants.
- Toujours débrancher la rallonge de la prise de courant avant de débrancher le produit de la rallonge.

FONCTIONNEMENT

▲ **MISE EN GARDE** : Utiliser un organe de coupe adéquat. Ne pas utiliser d'organes de coupe fissurés, endommagés ou excessivement usés.

▲ **MISE EN GARDE** : Pour une découpe adéquate, attendre que l'organe de coupe atteigne sa vitesse maximale et alimenter lentement et uniformément la coupe.

▲ **MISE EN GARDE** : La DW861W ne doit être utilisée que sur des surfaces horizontales (se reporter à la section précédente **Module robinet d'adduction d'eau**).

Réglage de la profondeur de coupe (fig. 4)

1. Abaisser le levier de réglage de profondeur (M) pour le relâcher.
2. Déplacer le patin (N) vers le haut ou le bas selon la position désirée.
3. Relever le levier de réglage de profondeur pour le resserrer.

POUR RÉGLER LA POSITION DU LEVIER DE RÉGLAGE DE PROFONDEUR

Le levier de réglage de profondeur est préréglé sur la position optimale. Pour tout réglage, suivre la procédure ci-après :

1. Serrer fermement le levier de réglage de profondeur.

2. Tourner la vis maintenant le levier en place vers la gauche pour la dévisser complètement. Retirer le levier et la vis de l'écrou. (La vis est tendue par un ressort, essayer de ne pas les séparer).
3. Ajuster le levier sur la position désirée.
4. Revisser la vis en tournant vers la droite.

MÉTHODE DE DÉCOUPE À L'EAU

▲ **AVERTISSEMENT** : Ne pas utiliser le système de découpe à l'eau si l'outil n'est pas protégé par un GFCI.

▲ **AVERTISSEMENT** : Pour réduire tout risque de choc électrique, protéger l'outil de toute pénétration d'eau. Ne pas toucher la fiche avec des mains humides.

1. Suivre les instructions décrites dans la section **Installation du système de découpe à l'eau**.
2. Pour régler le flot d'eau, ouvrir le robinet d'adduction d'eau en éloignant le levier (O) de l'appareil.
3. Pour fermer le robinet d'adduction d'eau, repousser le levier vers l'appareil.
3. Procéder comme décrit ci-dessous pour toute coupe droite ou angulaire.

COUPES DROITES

1. Au moyen d'un marqueur ou d'un crayon gras, faire un tracé sur la section à couper.
2. Placer la base (patin) de la scie sur la pièce à travailler en s'assurant que le disque ne touche pas cette dernière.
3. Aligner la partie externe du guide de coupe (P) avec le tracé de coupe sur la pièce à travailler.
4. Mettre l'outil en marche et attendre que le disque atteigne sa vitesse maximale.
5. Faire avancer l'outil lentement et uniformément, en suivant le tracé de coupe.

COUPES ANGULAIRES (FIG. 5)

1. Au moyen d'un marqueur ou d'un crayon gras, faire un tracé sur la section à couper.
2. Relâcher l'écrou à ailettes d'ajustement du chanfrein (Q) et le placer à l'angle désiré.
3. Une fois l'angle désiré choisi, resserrer l'écrou à ailette pour fixer la base (patin).
4. Aligner la partie interne du guide de coupe (P) avec le tracé de coupe sur la pièce à travailler.
5. Mettre l'outil en marche et attendre que le disque atteigne sa vitesse maximale.
6. Faire avancer l'outil lentement et uniformément, en suivant le tracé de coupe.

ENTRETIEN

Balais (fig. 6, 7)

▲ **MISE EN GARDE** : Arrêter et débrancher l'outil avant d'effectuer un réglage ou de retirer ou d'installer une pièce ou un accessoire. S'assurer que l'interrupteur est en position d'arrêt.

Inspecter les balais de charbon régulièrement en débranchant l'outil, en retirant les protèges balai (R) et en retirant les modules de balais (S).

Maintenir les balais propres et vérifier qu'ils glissent librement dans leurs supports. Toujours remettre un nouveau balai dans son support en suivant la même orientation que celle de l'ancien balai. Les balais de charbon comportent des symboles variés imprimés sur leurs côtés, et si le balai est usé au niveau de la ligne la plus proche du ressort, le balai doit être changé. N'utiliser que des balais de rechange DEWALT identiques. Le fait d'utiliser un balai de bon calibre est essentiel pour le bon fonctionnement de l'outil. Des modules de balai sont disponibles dans les centres de service autorisés DEWALT. Faire tourner l'outil à vide pendant 10 minutes avant d'installer de nouveaux balais.

▲ **MISE EN GARDE** : Pendant le fonctionnement à vide, NE PAS ATTACHER, COLLER OU VERROUILLER L'INTERRUPTEUR EN POSITION DE MARCHÉ. LE MAINTENIR MANUELLEMENT SEULEMENT.

Lubrification

▲ **AVERTISSEMENT** : NE JAMAIS pulvériser, ni appliquer de quelque manière que ce soit, un lubrifiant ou un solvant de nettoyage à l'intérieur de l'outil, car cela pourrait réduire sérieusement la durée de vie et nuire au rendement de l'outil et entraîner des risques de blessure.

Les outils DEWALT sont lubrifiés en usine et sont donc prêts à l'utilisation. Cependant, il est recommandé d'apporter ou d'envoyer l'outil une fois par an dans un centre de service qualifié afin qu'il puisse y être complètement nettoyé et inspecté.

ACCESSOIRES

▲ **MISE EN GARDE** : L'USAGE DE TOUT AUTRE ACCESSOIRE NON RECOMMANDÉ AVEC CET OUTIL PEUT PRÉSENTER UN DANGER.

Les accessoires recommandés pour cet outil sont vendus séparément chez tous les distributeurs ou dans tous les centres de service autorisés. Si vous avez besoin d'aide pour localiser un centre de service autorisé, veuillez contacter : DEWALT Industrial Tool Co., 701 East Joppa Road, Baltimore, MD 21286 ou appeler le 1-800-4-DEWALT (1-800-433-9258).

Réparations

Pour assurer la SÉCURITÉ et la FIABILITÉ de ce produit, toutes les opérations de réparation, d'entretien et de réglage doivent être effectuées dans un centre de service autorisé ou par du personnel qualifié (cela comprend l'inspection et le remplacement du balai); on ne doit utiliser que des pièces de rechange identiques.

Garantie limitée de trois ans

DEWALT réparera, sans frais, tout produit défectueux causé par un défaut de matériel ou de fabrication pour une période de trois ans à compter de la date d'achat. La présente garantie ne couvre pas les pièces dont la défectuosité a été causée par une usure normale ou l'usage abusif de l'outil. Pour obtenir de plus amples renseignements sur les pièces ou les réparations couvertes par la présente garantie, visiter le site www.dewalt.com ou composer le 1 800 433-9258 (1 800 4-DEWALT). Cette garantie ne s'applique pas aux accessoires et ne vise pas les dommages causés par des réparations effectuées par un tiers. Cette garantie confère des droits légaux particuliers à l'acheteur, mais celui-ci pourrait aussi bénéficier d'autres droits variant d'un état ou d'une province à l'autre.

En plus de la présente garantie, les outils DEWALT sont couverts par notre :

CONTRAT D'ENTRETIEN GRATUIT D'UN AN

DEWALT entretiendra l'outil et remplacera les pièces usées au cours d'une utilisation normale et ce, gratuitement, pendant une période d'un an à compter de la date d'achat, et la

GARANTIE DE REMBOURSEMENT DE 90 JOURS

Si l'acheteur n'est pas entièrement satisfait, pour quelque raison que ce soit, du rendement de l'outil électrique, du laser ou de la cloueuse DEWALT, celui-ci peut le retourner, accompagné d'un reçu, dans les 90 jours à compter de la date d'achat, pour obtenir un remboursement intégral, sans aucun problème.

PRODUIT RÉNOVÉ : Tout produit rénové est couvert par une garantie gratuite d'entretien d'un an. Les garanties de remboursement sous 90 jours et garantie limitée de trois ans ne s'appliquent pas aux produits rénovés.

REPLACEMENT GRATUIT DE L'ÉTIQUETTE D'AVERTISSEMENT : En cas de perte ou d'endommagement des étiquettes d'avertissement (Fig. 8), composer le 1 800 433-9258 afin d'en obtenir de nouvelles sans frais.

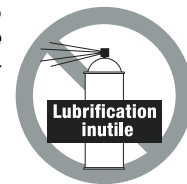
Instrucciones de seguridad generales

▲ **ADVERTENCIA**: Lea todas las instrucciones hasta comprenderlas. No ajustarse a las instrucciones siguientes puede ser causa de choque eléctrico, incendio o lesiones graves.

CONSERVE ESTAS INSTRUCCIONES

ÁREA DE TRABAJO

- **Mantenga el área de trabajo limpia y bien iluminada.** Las bancadas desordenadas y las zonas oscuras propician los accidentes.
- **No opere herramientas eléctricas en atmósferas explosivas, como en presencia de líquidos, gases o polvos inflamables.** Las herramientas eléctricas producen chispas que pueden originar la ignición del polvo o los vapores.
- **Mientras opere una herramienta eléctrica, mantenga lejos a los observadores, niños y visitantes.** Las distracciones pueden ocasionar que pierda el control.



SEGURIDAD ELÉCTRICA

- Las herramientas con conexión a tierra deben conectarse a una toma de corriente debidamente instalada y con conexión a tierra, de acuerdo con todos los códigos y ordenanzas aplicables. Nunca quite la pata de conexión a tierra ni modifique el enchufe en ninguna manera. No emplee ningún adaptador para enchufes. Si tiene alguna duda acerca de si la toma de corriente está debidamente conectada a tierra, consulte a un electricista calificado.** Si las herramientas presentasen fallas eléctricas o averías, la conexión a tierra ofrece una vía de baja resistencia para alejar la corriente eléctrica del usuario. **Sólo es aplicable a las herramientas de Clase I (con conexión a tierra).**
- Las herramientas con doble aislamiento están equipadas con una clavija polarizada (una pata es más ancha que la otra). Esta clavija se acoplará a un enchufe polarizado de una sola manera. Si la clavija no se acopla al contacto, inviértala. Si aún así no se ajusta, comuníquese con un electricista cualificado para que instale un enchufe polarizado apropiado.** Nunca cambie la clavija. El doble aislamiento □ elimina la necesidad de cables con tres hilos y sistemas de suministro eléctrico con conexión a tierra. **Sólo es aplicable a las herramientas de Clase II.**
- Evite el contacto del cuerpo con superficies conectadas a tierra, tales como tuberías, radiadores, registros y refrigeradores.** El riesgo de choque eléctrico aumenta si su cuerpo hace tierra.
- No exponga las herramientas eléctricas a la lluvia o a condiciones de mucha humedad.** Si entra agua en una herramienta eléctrica, aumenta el riesgo de choque eléctrico.
- No maltrate el cable. Nunca tome el cable para transportar la herramienta ni para desconectarla del enchufe. Mantenga el cable alejado de las fuentes de calor, el aceite, las orillas afiladas o las piezas en movimiento. Cambie inmediatamente los cables dañados.** Los cables dañados aumentan el peligro de choque eléctrico.
- Cuando opere una máquina herramienta a la intemperie, utilice un alargador marcado “W-A” o “W”.** Estos alargadores están clasificados para ser usados a la intemperie y reducen el riesgo de descarga eléctrica. Al usar un alargador, asegúrese de que tenga el calibre necesario para llevar la corriente que su producto requerirá. Un alargador de un calibre insuficiente causará una caída en la tensión de la línea dando por resultado la pérdida de energía y sobrecalentamiento. La tabla siguiente muestra el tamaño correcto para utilizar dependiendo de la longitud del alargador y del amperaje nominal de la placa de identificación. En caso de duda, utilice el de mayor calibre. Cuanto más pequeño es el número del calibre, más resistente es el alargador.

Calibre mínimo para cordones de extensión					
Voltios	Longitud total del cordón en metros				
120V	0-7,6	7,6-15,2	15,2-30,4	30,4-45,7	
240V	0-15,2	15,2-30,4	30,4-60,9	60,9-91,4	
Amperaje		Calibre del cordón AWG			
Más de	No más de				
10	- 12	16	16	14	12
12	- 16	14	12	No recomendado	

SEGURIDAD PERSONAL

- Al utilizar una herramienta eléctrica, esté atento, concéntrese en lo que hace y aplique el sentido común. No utilice la herramienta si se encuentra fatigado o bajo la influencia de drogas, alcohol o fármacos.** Mientras se utilizan herramientas eléctricas, basta un instante de distracción para sufrir lesiones graves.
- Lleve ropa adecuada. No utilice ropa suelta ni joyas. Recójase el cabello largo. Mantenga el cabello, la ropa y los guantes apartados de las piezas en movimiento.** Las partes móviles pueden atrapar las prendas de vestir sueltas, las joyas y el cabello. Los orificios de ventilación suelen cubrir piezas en movimiento, por lo que también se deben evitar.
- Evite puestas en marcha accidentales.** Asegúrese de que el interruptor esté apagado antes de enchufar la máquina. Transportar las herramientas con el dedo sobre el interruptor o enchufarlas con el interruptor encendido favorece los accidentes.
- Antes de poner en marcha la herramienta, retire las llaves de ajuste.** Una llave que se deje en una pieza giratoria de la herramienta puede provocar lesiones.
- No ponga en peligro su estabilidad. Manténgase siempre bien apoyado y equilibrado.** Un buen apoyo y equilibrio permiten controlar mejor la herramienta si se produce algún imprevisto.
- Utilice el equipo de seguridad. Lleve siempre lentes protectores.** Cuando sea adecuado, también se debe usar mascarilla antipolvo, zapatos de suela antideslizante, casco o protectores auditivos.

USO Y CUIDADOS DE LA HERRAMIENTA

- Utilice abrazaderas u otro elemento adecuado para sujetar y apoyar la pieza de trabajo en una plataforma estable.** Sujetar la pieza con la mano o contra el cuerpo es inestable y facilita la pérdida de control.
- No fuerce la herramienta. Emplee la herramienta correcta para cada aplicación.** La herramienta correcta hace el trabajo mejor y más seguro dentro del rango para el que ha sido diseñada.
- No utilice la herramienta si el interruptor no la enciende y apaga.** Cualquier herramienta que no pueda controlarse con el interruptor es peligrosa y se debe reparar.
- Desconecte la clavija del enchufe antes de proceder a cualquier ajuste, cambiar un accesorio o guardar la herramienta.** Estas medidas de seguridad preventiva reducen el riesgo de poner en marcha la herramienta accidentalmente.
- Cuando no las utilice, guarde las herramientas fuera del alcance de los niños o de cualquier persona no capacitada. Las herramientas son peligrosas en manos de usuarios no capacitados.
- Cuide las herramientas. Conserve las herramientas de corte afiladas y limpias.** Unas herramientas adecuadamente cuidadas y con los bordes de corte afilados se atascan menos y son más fáciles de controlar.
- Compruebe si las piezas móviles se desalinean o atascan, si hay alguna pieza rota o cualquier otra circunstancia que pueda afectar la operación de la herramienta. Si la herramienta está dañada, hágala reparar antes de usarla.** Muchos accidentes los provocan unas herramientas mal cuidadas.
- Utilice únicamente los accesorios recomendados por el fabricante para su modelo.** Un mismo accesorio puede ser adecuado para una herramienta, pero peligroso si se usa en otra.

SERVICIO

- El servicio a la herramienta sólo debe realizarlo personal cualificado.** El servicio o mantenimiento realizados por personal no calificado puede dar como resultado un riesgo de lesiones.
- Al proceder al mantenimiento de una herramienta, utilice únicamente refacciones idénticas. Siga las instrucciones de la sección “Mantenimiento” de este manual.** La utilización de piezas no autorizadas, o no respetar las instrucciones de mantenimiento, puede suponer un peligro de choque eléctrico o de lesiones.

Instrucciones de seguridad adicionales, específicas para sierras de mampostería

- NUNCA sostenga la pieza a cortar en sus manos o sobre su pierna.** Es importante sostener bien la pieza para minimizar la exposición al cuerpo, el atascamiento de la hoja o pérdidas de control.
- Sujete la herramienta por sus empuñaduras aisladas si va a realizar una operación en que la herramienta de corte pueda entrar en contacto con instalaciones eléctricas ocultas.** El contacto con un hilo activo cargará las piezas metálicas expuestas de la herramienta las que se descargarán en el operador.
- Siempre use hojas con orificios del tamaño (16 mm ó 5/8 pulg.) y la forma (redonda) correcta para el mandril.** Si la hoja no corresponde a los elementos de montaje en la sierra, operará en forma excéntrica y perderá el control.
- Nunca use arandelas o pernos incorrectos para la hoja o unos que estén dañados.** Las arandelas y los pernos de la hoja fueron diseñados específicamente para su sierra, para ofrecer un desempeño óptimo y una operación segura.
- No desenchufe la sierra si el enchufe o la toma de corriente están mojados.** Desconecte el fusible o interruptor de circuito que abastece electricidad a la herramienta. Luego desenchúfela y examine la toma para verificar que no contenga agua.

- Espere a que la sierra se detenga completamente.** Una hoja que se deslice sin protección hará que la sierra ande hacia atrás y corte lo que encuentre en su camino. Observe cuánto tiempo demora la hoja en detenerse una vez que se suelte el conmutador.
- Nunca use ninguna hoja que tenga bordes expandidos o segmentados (con dientes).** Esta herramienta no posee un protector inferior.

▲ ADVERTENCIA: Mantenga las manos alejadas del área y de la hoja de corte. Podría resultar en lesiones corporales.

▲ ADVERTENCIA: Siempre enchufe alargadores en tomas protegidas por interruptores accionados por corriente de pérdida a tierra (GFCI).

▲ ADVERTENCIA: Para reducir el riesgo de electrocución, mantenga todas las conexiones secas y no las deje en el suelo. No toque el enchufe si tiene las manos mojadas.

▲ ADVERTENCIA: El cable viene con un interruptor accionado por corriente de pérdida a tierra (GFCI). Algunas tomas de corriente vienen con protección GFCI incorporada y pueden ser utilizadas como medida adicional de seguridad. Cuando utilice un alargador, enchúfelo siempre en una toma protegida por GFCI.

▲ ADVERTENCIA: Pruebe el GFCI antes de cada uso:

- Enchufe el GFCI a la toma de corriente. El indicador debería ponerse rojo.
- Presione el botón de prueba. El indicador rojo debería apagarse.
- Presione el botón de reposición para utilizar el GFCI. Si la prueba anterior falla, no lo use.

▲ ADVERTENCIA: Nunca use la sierra con agua salada o un líquido conductor.

▲ ADVERTENCIA: Siempre use protección ocular. Todo usuario y observador debe llevar protección ocular en conformidad con ANSI Z87.1.

▲ PRECAUCIÓN: CUANDO REALICE MANTENIMIENTO, USE SÓLO REPUESTOS ORIGINALES. Repare o cambie aquellos alargadores que estén dañados.

▲ PRECAUCIÓN: No enchufe la unidad hasta no leer y comprender todas las instrucciones.

▲ PRECAUCIÓN: Utilice una protección auditiva apropiada durante el uso. En determinadas condiciones y con utilizaciones prolongadas, el ruido generado por este producto puede favorecer la pérdida de audición.

▲ ADVERTENCIA: Parte del polvo generado al lijar, serrar, esmerilar y taladrar con máquinas herramienta, así como al realizar otras actividades del sector de la construcción, contienen productos químicos que pueden producir cáncer, defectos congénitos u otras afecciones reproductivas. Ejemplos de esas substancias químicas son:

- plomo procedente de pinturas a base de plomo,
- óxido de silicio cristalino procedente de ladrillos, cemento y otros productos de mampostería y
- arsénico y cromo procedentes de madera tratada químicamente (CCA).

El peligro derivado de estas exposiciones que usted enfrente varía en función de la frecuencia con que se realice este tipo de trabajo. Para reducir la exposición a esas sustancias químicas: trabaje en una zona bien ventilada y llevando equipos de seguridad aprobados, como mascarillas antipolvo especialmente diseñadas para filtrar partículas microscópicas.

- Evite el contacto prolongado con el polvo procedente del lijado, serrado, esmerilado y taladrado eléctricos, así como de otras actividades del sector de la construcción. Lleve ropa protectora y lave con agua y jabón las zonas expuestas.** Si permite que el polvo se introduzca en la boca o los ojos o quede sobre la piel, puede favorecer la absorción de productos químicos peligrosos.

▲ ADVERTENCIA: El uso de esta herramienta puede generar o dispersar polvo lo cual puede causar lesiones respiratorias serias y permanentes y otros tipos de lesión. Siempre use protección respiratoria aprobada por NIOSH/OSHA para la exposición al polvo. Dirija las partículas en dirección opuesta a su cara y cuerpo.

- La etiqueta de su herramienta puede incluir los siguientes símbolos. Los símbolos y sus definiciones son los siguientes:

V.....voltios	A.....amperios
Hz.....hertzios	Wvatios
minminutos	~corriente alterna
====corriente directa	novelocidad sin carga
□construcción de Clase II	.../min.....revoluciones por minuto
⊕terminal con conexión a tierra	▲símbolo de alerta de seguridad

COMPONENTES (FIG. 1)

- | | |
|---|---------------------------------------|
| A. GFCI en el cable de alimentación | K. Tornillo auto-enroscable |
| B. Conmutador de encendido y apagado | L. Boquilla del agua |
| C. Botón de funcionamiento continuo | M. Palanca de ajuste de profundidad |
| D. Hoja de diamante | N. Base |
| E. Pestaña externa | O. Palanca de la válvula de agua |
| F. Tornillo de fijación | P. Guía de corte |
| G. Tubería para el agua | Q. Tuerca mariposa de ajuste de bisel |
| H. Entrada a la herramienta | R. Cubierta de la escobilla |
| I. Adaptador de tubería del agua | S. Unidad de la escobilla |
| J. Regulador de presión del agua (10 psi) | |

ENSAMBLAJE

Contenidos del paquete:

- 1 sierra de mampostería de corte húmedo o seco de 114 mm (4-1/2 pulg.)
- 1 kit de agua
- Hoja de diamante
- 1 llave Allen
- 1 llave de pestaña
- 1 Manual de instrucciones

Conmutador (Fig. 1, 2)

▲ ADVERTENCIA: Para evitar la posibilidad que se moje el enchufe del aparato o la toma de corriente, coloque la sierra al costado de una toma de corriente montada en la pared para evitar que caiga agua al enchufe o la toma de corriente. El usuario debería crear un “lazo de goteo” en el cable que conecta la sierra a la toma de corriente (Fig. 2). El “lazo de goteo” es aquella parte del cable que se encuentra a una altura menor que la de la toma de corriente o del conector, si se utiliza un alargador, utilizado para evitar que el agua viaje por el cable y entre en contacto con la toma de corriente.

▲ PRECAUCIÓN: Antes de enchufar la herramienta, revise que el conmutador funciones debidamente y que regrese a la posición de apagado cuando es liberado.

- Presione y sostenga el conmutador (B) para iniciar la operación.
- Para una operación continua, presione el botón de funcionamiento continuo (C) y libere el conmutador. Para desactivar el botón de funcionamiento continuo, presione y luego suelte el conmutador.

Para instalar la hoja de diamante (Fig. 3)

- Coloque la sierra sobre una superficie estable.
- Coloque la hoja (D) en el eje.
- Con la llave de pestaña incluida, sostenga la pestaña externa (E)
- Gire el tornillo de fijación (F) en dirección contraria a las manillas del reloj para ajustarlo. Con la llave Allen incluida, ajústelo bien.
- Para retirar la hoja, invierta el procedimiento.

Unidad de la válvula de agua

▲ ADVERTENCIA: Nunca utilice la unidad de la válvula de agua sin un regulador de presión apropiado. De lo contrario podría dañar la tubería del agua si se acumula una presión excesiva.

- Nunca use la sierra en altura. Cuando use agua, limite el corte a la posición horizontal para reducir el riesgo de que entre agua en la herramienta.
- Antes de utilizar la unidad de la válvula de agua, revise la tubería del agua (G) para verificar que no tenga orificios, trizaduras u otros daños. Utilice repuestos originales para cambiar piezas debilitadas o dañadas. Revise las conexiones en la entrada de la herramienta (H), la válvula de agua y el adaptador (I) para verificar que no tengan fugas. Si la conexión está suelta o si la tubería está suelta alrededor de las lengüetas, desconecte la tubería, recórtela aproximadamente en 25,4 mm (1 pulg.) y vuelva a conectar la tubería. Asegúrese que la tubería quede completamente replegada detrás de la(s) lengüeta(s). Verifique que la conexión esté ajustada.
- Cuando se use el kit para el agua, siempre utilizar el regulador de presión de agua (J) incluido. Conecte bien el regulador a la fuente de agua pero no lo ajuste demasiado. Asegúrese de utilizar la arandela del filtro (dentro del extremo de entrada de la toma del regulador) para evitar que entren contaminantes a tapar los puertos de salida de agua. Si pierde o daña el regulador, cámbielo por la pieza de repuesto original especificada en el boletín de piezas.

Montaje del sistema de corte húmedo

⚠ ADVERTENCIA: No utilice el sistema de corte húmedo a no ser que la herramienta esté protegida por un GFCI.

Este sistema minimiza las partículas aéreas de polvo, al tiempo que mejora la calidad del corte y la duración de la hoja.

- Suelte la palanca de ajuste de profundidad (M) y tire de la base hasta estar en la profundidad de corte mínima.
- Con un destornillador de cabeza plana o T20 torx, quite el tornillo auto enroscable (K) ubicado debajo de la palanca de ajuste de profundidad montada a la caja.
- Coloque la unidad de la válvula de agua de modo que el orificio de la unidad de la válvula de agua se alinee con el orificio para el tornillo ubicado en la caja y que la válvula de agua ahorquillada (L) quede a horcajadas con la hoja.
- Fíjela en su sitio con un tornillo auto enroscable. NO sobre ajuste el tornillo auto enroscable; esto podría dañar la unidad de la válvula de agua.

Uso de alargadores

- Siempre enchufe alargadores a tomas GFCI.
- Use sólo alargadores diseñados para uso a la intemperie. Estos alargadores están marcados “aceptables para utilizarse con una aparato a la intemperie; almacenar al interior cuando no esté en uso.”
- Use sólo alargadores con una clasificación eléctrica que no sea menor a la clasificación del producto.
- No utilice alargadores dañados. Revise los alargadores antes de utilizarlos y cámbielos si están dañados.
- No abuse el alargador y no tire de ningún cable para desenchufarlo.

Motor

Compruebe que su suministro eléctrico concuerde con el indicado en la placa nominal. Una reducción de voltaje superior al 10% provocará pérdida de potencia y sobrecalentamiento. Todas las herramientas DEWALT vienen probadas de fábrica; si esta herramienta no funciona, revise la alimentación eléctrica.

- Mantenga el cable alejado de calor y bordes afilados.
- Siempre desenchufe el cable de la toma de corriente antes de desconectar el producto del alargador.

FUNCIONAMIENTO

⚠ PRECAUCIÓN: Utilice la hoja apropiada. No utilice hojas trizadas, dañadas o excesivamente desgastadas.

⚠ PRECAUCIÓN: Espere a que la hoja alcance la velocidad máxima y utilice una alimentación lenta y pareja para un corte adecuado.

⚠ PRECAUCIÓN: La DW861W sólo debería ser utilizada en superficies horizontales (ver unidad de la válvula de agua más arriba).

Ajuste de profundidad del corte (Fig. 4)

- Empuje la palanca de ajuste de profundidad del corte (M) hacia abajo para liberarla.
- Mueva la base (N) hacia arriba o hacia abajo a la posición deseada.
- Tire de la palanca de ajuste de profundidad del corte para ajustarla.

PARA AJUSTAR LA POSICIÓN DE LA PALANCA DE AJUSTE DE PROFUNDIDAD DEL CORTE

La palanca de ajuste de profundidad viene preconfigurada para una mejor colocación. Para realizar cualquier ajuste, utilice el siguiente procedimiento:

- Ajuste bien la palanca de ajuste de profundidad.
- Gire el tornillo que sujeta la palanca en su lugar en dirección contraria a las manillas del reloj para aflojarla por completo. Retire la palanca y el tornillo juntos, desde la tuerca. (El tornillo viene cargado con un resorte, trate de no separar estas partes).
- Fije la palanca en la posición deseada.
- Gire el tornillo en dirección de las manillas del reloj para ajustarlo.

MÉTODO DE CORTE HÚMEDO

⚠ ADVERTENCIA: No utilice el sistema de corte húmedo a no ser que la herramienta esté protegida por un GFCI.

⚠ ADVERTENCIA: Para reducir el riesgo de descarga eléctrica, asegúrese que no le entre agua a su herramienta. No toque el enchufe si tiene las manos mojadas.

- Siga las instrucciones descritas bajo **Montaje del sistema de corte húmedo**.
- Para regular el flujo de agua, gire la palanca (O) en dirección contraria a la unidad para abrir la válvula de agua.
- Para cerrar la válvula de agua, empuje la palanca hacia la unidad.
- Siga los pasos descritos más abajo para cortes rectos o angulados.

CORTES RECTOS

- Con un marcador o lápiz de grasa, marque el área a cortar.
- Coloque la base de la sierra en la pieza de trabajo verificando que la hoja no toque la pieza.
- Alinee la parte externa de la guía de corte (P) con la marca de corte en la pieza.
- Encienda la herramienta y espere a que la hoja alcance el máximo de velocidad.
- Mueva la herramienta lentamente y en forma pareja hacia adelante, siguiendo la línea del corte.

CORTES ANGULADOS (FIG. 5)

- Con un marcador o lápiz de grasa, marque el área a cortar.
- Suelte la tuerca mariposa de ajuste de bisel (Q) y desplácela hacia el ángulo deseado.
- Luego de seleccionar el ángulo deseado, ajuste la tuerca mariposa para fijar la base.
- Alinee la parte interna de la guía de corte (P) con la marca de corte en la pieza.
- Encienda la herramienta y espere a que la hoja alcance el máximo de velocidad.
- Mueva la herramienta lentamente y en forma pareja hacia adelante, siguiendo la línea del corte.

MANTENIMIENTO

Escobillas (Fig. 6, 7)

⚠ PRECAUCIÓN: Apague y desenchufe la herramienta antes de realizar ajustes o de quitarle o ponerle accesorios. Asegúrese que el conmutador esté APAGADO.

Desenchufe la herramienta, retire la cubierta de las escobillas (R) y extraiga las unidades de escobillas (S) para revisar las escobillas de carbón en forma regular.

Mantenga las escobillas limpias y pudiendo desplazarse libremente en sus guías. Cuando cambie una escobilla, siempre inserte el repuesto en la misma dirección dentro del sujetador que la escobilla anterior. Las escobillas de carbón tienen diversos símbolos estampados en sus lados, y si la escobilla ha sido gastada hasta la línea más cercana al resorte, las escobillas deben ser cambiadas. Use sólo escobillas DEWALT originales. Es esencial utilizar el calibre correcto de escobilla para que la unidad funcione debidamente. Las unidades de escobillas nuevas se encuentran disponibles en los centros de servicio DEWALT. La herramienta debe ser operada sin carga por 10 minutos antes de usarse para que las escobillas nuevas se asienten bien.

⚠ PRECAUCIÓN: Mientras la herramienta esté funcionando sin carga, NO BLOQUEE EL CONMUTADOR EN POSICIÓN DE ENCENDIDO CON CINTAS ADHESIVAS O ATÁNDOLO DE CUALQUIER OTRA MANERA. SÓLO SOSTÉNGALA CON LA MANO.

Lubricación

⚠ ADVERTENCIA: NUNCA rocíe o aplique en ninguna otra forma lubricantes o solventes de limpieza dentro de la herramienta. Esto puede afectar seriamente la duración y el desempeño de la herramienta y resultar en lesiones corporales.

Las herramientas DEWALT vienen debidamente lubricadas de la fábrica y están listas para usarse. Sin embargo, se recomienda que una vez al año lleve o envíe la herramienta a un centro de servicio certificado para una inspección y limpieza a fondo.

ACCESORIOS

⚠ PRECAUCIÓN: La utilización de cualquier accesorio no recomendado para esta herramienta puede ser peligrosa.

Puede comprar los accesorios recomendados para su herramienta donde su distribuidor local o en el centro de servicio autorizado. Si necesita ayuda para ubicar un centro de servicio autorizado, contacte: DEWALT Industrial Tool Co., 701 East Joppa Road, Baltimore, MD 21286 o llame al 1-800-4-DEWALT (1-800-433-9258).

Reparaciones

Para garantizar la SEGURIDAD y la CONFIABILIDAD, deberán hacerse reparaciones, mantenimiento y ajustes de esta herramienta en los centros autorizados de servicio DEWALT u otras organizaciones autorizadas. Estas organizaciones prestan servicio a las herramientas DEWALT y emplean siempre refacciones legítimas DEWALT.

PARA REPARACIÓN Y SERVICIO DE SUS HERRAMIENTAS ELÉCTRICAS, FAVOR DE DIRIGIRSE AL CENTRO DE SERVICIO MÁS CERCANO

CULIACAN, SIN

Av. Nicolás Bravo #1063 Sur - Col. Industrial Bravo

(667) 7 12 42 11

GUADALAJARA, JAL

Av. La Paz #1779 - Col. Americana Sector Juárez

(33) 3825 6978

MEXICO, D.F.

Eje Central Lázaro Cárdenas No. 18 - Local D, Col. Obrera

(55) 5588 9377

MERIDA, YUC

Calle 63 #459-A - Col. Centro

(999) 928 5038

MONTERREY, N.L.

Av. Francisco I. Madero No.831 - Col. Centro

(81) 8375 2313

PUEBLA, PUE

17 Norte #205 - Col. Centro

(222) 246 3714

QUERETARO, QRO

Av. Madero 139 Pte. - Col. Centro

(442) 214 1660

SAN LUIS POTOSI, SLP

Av. Universidad 1525 - Col. San Luis

(444) 814 2383

TORREON, COAH

Blvd. Independencia, 96 Pte. - Col. Centro

(871) 716 5265

VERACRUZ, VER

Prolongación Díaz Mirón #4280 - Col. Remes

(229) 921 7016

VILLAHERMOSA, TAB

Constitución 516-A - Col. Centro

(993) 312 5111

PARA OTRAS LOCALIDADES LLAME AL: (55) 5326 7100

Póliza de Garantía

IDENTIFICACIÓN DEL PRODUCTO:

Sello o firma del Distribuidor.

Nombre del producto: _____ Mod./Cat.: _____

Marca: _____ Núm. de serie: _____

(Datos para ser llenados por el distribuidor)

Fecha de compra y/o entrega del producto: _____

Nombre y domicilio del distribuidor donde se adquirió el producto:

Este producto está garantizado por un año a partir de la fecha de entrega, contra cualquier defecto en su funcionamiento, así como en materiales y mano de obra empleados para su fabricación. Nuestra garantía incluye la reparación o reposición del producto y/o componentes sin cargo alguno para el cliente, incluyendo mano de obra, así como los gastos de transportación razonablemente erogados derivados del cumplimiento de este certificado.

Para hacer efectiva esta garantía deberá presentar su herramienta y esta póliza sellada por el establecimiento comercial donde se adquirió el producto, de no contar con ésta, bastará la factura de compra.

EXCEPCIONES.

Esta garantía no será válida en los siguientes casos:

- Cuando el producto se hubiese utilizado en condiciones distintas a las normales;
- Cuando el producto no hubiese sido operado de acuerdo con el instructivo de uso que se acompaña;
- Cuando el producto hubiese sido alterado o reparado por personas distintas a las enlistadas al final de este certificado.

Anexo encontrará una relación de sucursales de servicio de fábrica, centros de servicio autorizados y franquiciados en la República Mexicana, donde podrá hacer efectiva su garantía y adquirir partes, refacciones y accesorios originales.

Garantía limitada por tres años

DEWALT reparará, sin cargo, cualquier falla que surja de defectos en el material o la fabricación del producto, por hasta tres años a contar de la fecha de compra. Esta garantía no cubre fallas de las piezas causadas por su desgaste normal o abuso a la herramienta. Para mayores detalles sobre la cobertura de la garantía e información acerca de reparaciones realizadas bajo garantía, visítenos en www.dewalt.com o diríjase al centro de servicio más cercano. Esta garantía no aplica a accesorios o a daños causados por reparaciones realizadas o intentadas por terceros. Esta garantía le otorga derechos legales específicos, además de los cuales puede tener otros dependiendo del estado o provincia en que se encuentre.

Además de la garantía, las herramientas DEWALT están cubiertas por:

1 AÑO DE SERVICIO GRATUITO

DEWALT mantendrá la herramienta y reemplazará las piezas gastadas por su uso normal, sin cobro, en cualquier momento durante un año a contar de la fecha de compra.

GARANTÍA DE REEMBOLSO DE SU DINERO POR 90 DÍAS

Si no está completamente satisfecho con el desempeño de su máquina herramienta, láser o clavadora DEWALT, cualquiera sea el motivo, podrá devolverlo hasta 90 días de la fecha de compra con su recibo y obtener el reembolso completo de su dinero – sin necesidad de responder a ninguna pregunta.

PRODUCTO REACONDICIONADO: Los productos reacondicionados están cubiertos bajo la Garantía de 1 Año de Servicio Gratuito. La Garantía de 90 Días de Reembolso de su Dinero y la Garantía Limitada de Tres Años no aplican a productos reacondicionados.

SUSTITUCIÓN GRATUITA DE LAS ETIQUETAS DE ADVERTENCIA: Si sus etiquetas de advertencia (Fig. 8) se vuelven ilegibles o se pierden, llame al 1-800-544-6986 para conseguir repuestos gratuitos.

Información Técnica

DW861W

Tensión de alimentación:	120 V AC ~
Consumo de corriente:	12,5 A
Frecuencia de alimentación:	50/60 Hz
Potencia nominal:	1 400 W
Rotación sin carga:	11 500/min

IMPORTADOR: DEWALT S.A. DE C.V.
BOSQUES DE CIDROS ACCESO RADIATAS NO. 42
COL. BOSQUES DE LAS LOMAS, 3A. SECCIÓN, CP 05120
DELEGACIÓN CUAJIMALPA, MÉXICO, D.F.
TEL. 5 326 7100
R.F.C.: BDE810626-1W7

Para servicio y ventas consulte
“HERRAMIENTAS ELÉCTRICAS”
en la sección amarilla.

