

**DEWALT®**

**INSTRUCTION MANUAL**  
**DW675 3-1/8" Planer**

---

IF YOU HAVE ANY QUESTIONS OR COMMENTS ABOUT THIS OR ANY  
DeWALT TOOL, CALL US TOLL FREE AT 1-800-4-DeWALT (1-800-433-9258).

Serial Number from Nameplate

Date of Purchase

Save this information for future reference

SHOE ADJUSTMENT KNOB

TRIGGER SWITCH

LOCKING BUTTON

### **DeWALT...BUILT JOBSITE TOUGH**

DeWALT high performance industrial tools are made for America's toughest industrial and construction applications. The design of every tool in the line—from drills to sanders to grinders—is the result of rigorous use on jobsites and throughout industry. Each tool is produced with painstaking precision using advanced manufacturing systems and intense quality control. Every tool is checked before it leaves the factory to make sure that it meets your standards for durability, reliability and power.

ADJUSTABLE SHOE  
FENCE CLAMPING KNOB

DeWALT

Built Jobsite Tough...WE GUARANTEE IT.

## **Important Safety Instructions**

**WARNING:** When using Electric Tools, basic safety precautions should always be followed to reduce risk of fire, electric shock, and personal injury, including the following:

- *Read all Instructions*
- **KEEP WORK AREA CLEAN.** Cluttered areas and benches invite injuries.
- **CONSIDER WORK AREA ENVIRONMENT.** Don't expose power tools to rain. Don't use power tools in damp or wet locations. Keep work area well lit.
- **GUARD AGAINST ELECTRIC SHOCK.** Prevent body contact with grounded surfaces. For example: pipes, radiators, ranges, refrigerator enclosures.
- **KEEP CHILDREN AWAY.** All visitors should be kept away from work area. Do not let visitors contact tool or extension cord.
- **STORE IDLE TOOLS.** When not in use, tools should be stored in dry, and high or locked-up place - out of reach of children.
- **DON'T FORCE TOOL.** It will do the job better and safer at the rate for which it was intended.
- **USE RIGHT TOOL.** Don't force small tool or attachment to do the job of a heavy-duty tool. Don't use tool for purpose not intended, for example, don't use circular saw for cutting tree limbs or logs.
- **DRESS PROPERLY.** Do not wear loose clothing or jewelry. They can be caught in moving parts. Rubber gloves and non-skid footwear are recommended when working outdoors. Wear protective hair covering to contain long hair.
- **USE SAFETY GLASSES.** Also use face or dustmask if operation is dusty.
- **DON'T ABUSE CORD.** Never carry tool by cord or yank it to disconnect from receptacle. Keep cord from heat, oil, and sharp edges.
- **SECURE WORK.** Use clamps or a vise to hold work. It's safer than using your hand and it frees both hands to operate tool.
- **DON'T OVERREACH.** Keep proper footing and balance at all times.
- **MAINTAIN TOOLS WITH CARE.** Keep tools sharp and clean for better and safe performance. Follow instructions for lubricating and changing accessories. Inspect tool cords periodically and if damaged have repaired by a DeWALT certified service center. Inspect extension cords periodically and if damaged have repaired by a DeWALT certified service center. Inspect extension cords periodically and replace if damaged. Keep handles dry, clean, and free from oil and grease.
- **DISCONNECT TOOLS.** When not in use, before servicing, and when changing accessories, such as blades, bits, cutters.
- **REMOVE ADJUSTING KEYS AND WRENCHES.** Form habit of checking to see that keys and adjusting wrenches are removed from tool before turning it on.
- **AVOID UNINTENTIONAL STARTING.** Don't carry plugged-in tool with finger on switch. Be sure switch is off when plugging in.
- **OUTDOOR USE EXTENSION CORDS.** When tool is used outdoors, use only extension cords intended for use outdoors and so marked.
- **STAY ALERT.** Watch what you are doing. Use common sense. Do not operate tool when you are tired.

## **Important Safety Instructions (cont.)**

- **CHECK DAMAGED PARTS.** Before further use of the tool, a guard or other part that is damaged should be carefully checked to determine that it will operate properly and perform its intended function. Check for alignment of moving parts, binding of moving parts, breakage of parts, mounting, and any other conditions that may affect its operation. A guard or other part that is defective should be properly repaired or replaced by a DEWALT certified service center unless otherwise indicated elsewhere in this instruction manual. Have defective switches replaced by a DEWALT certified service center. Do not use tool if switch does not turn it on and off.
- **DO NOT OPERATE** portable electric tools near flammable liquids or in gaseous or explosive atmospheres. Motors in these tools normally spark, and the sparks might ignite fumes.

## **Additional Operating Instructions**

### **PRECAUTIONARY INSTRUCTIONS**

- **CAUTION** - Blades are extremely sharp. Avoid body contact.
- Read instruction manual thoroughly before using tool
- Voltage must agree with specific data on the nameplate.
- Be sure the switch is in "OFF" position before connecting tool to power supply.
- Switch tool "OFF" immediately if tool should become jammed in work.
- Be sure tool is disconnected from power source when cleaning, adjusting, or doing maintenance on the tool.

- Planer should be properly set and adjusted before turning unit on.
  - Use specified replacement parts only.
  - Maintain tool with care. Follow instructions for changing blades.
  - Store tool in a clean dry place after disconnecting from power source.
  - Do not force tool, allow tool to perform as it was designed. Use only sharp blades.
  - Do not allow visitors to approach work area, especially children.
  - Do not cover the air vents on the tool. Vents must be kept open for motor cooling.
  - Do not leave tool unattended without disconnecting from power source.
  - Do not yank cord when disconnecting tool from power supply.
  - Do not carry the tool by power cord.
  - Do not carry planer with your finger on the switch.
  - Do not lay tool down on shoe when blades are exposed.
  - Do not allow planer blade to contact metal objects. This may chip or damage blades.
- NOTE:** Do not use chipped or damaged blades.
- Do not obstruct side chip chute.
  - Always use fence unless surface planing. Use extreme caution, stay clear of drive belt and cutter location.
  - Turn off tool immediately after finishing cut.

**SAVE THESE INSTRUCTIONS FOR FUTURE USE**

## Double Insulation

Your unit is **DOUBLE INSULATED** to give you added safety. This means that it is constructed throughout with **TWO** separate "layers" of electrical insulation or one **DOUBLE** thickness of insulation between you and the tool's electrical system.

Tools built with this insulation system are not intended to be grounded. As a result, your tool is equipped with a two-prong plug which permits you to use extension cords without concern for maintaining a ground connection.

**NOTE: DOUBLE INSULATION** does not take the place of normal safety precautions when operating this tool. The insulation system is for added protection against injury resulting from a possible electrical insulation failure within the tool.

## Extension Cords

Double insulated tools have 2-wire cords and can be used with 2-wire or 3-wire extension cords. Only round jacketed extension cords should be used, and we recommend that they be listed by Underwriters' Laboratories (U.L.). If the extension will be used outside, the cord must be suitable for outdoor use. Any cord marked as outdoor can be used for indoor work. The letters "WA" on the cord jacket indicate that the cord is suitable for outdoor use.

An extension cord must have adequate wire size (AWG or American Wire Gauge) for safety, and to prevent loss of power and overheating. The smaller the gauge number of the wire, the greater the capacity of the cable, that is 16 gauge has more capacity than 18 gauge. When using more than one extension to make up the total length, be sure each individual extension contains at least the minimum wire size.

To determine the minimum wire size required, refer to the chart below.

Before using an extension cord, inspect it for loose or exposed wires, damaged insulation and defective fittings. Make any needed repairs or replace the cord if necessary.

**CAUTION: When servicing all tools, USE ONLY IDENTICAL REPLACEMENT PARTS.** Repair or replace damaged cords.

**CHART FOR MINIMUM WIRE SIZE (AWG)  
OF EXTENSION CORDS**

NAMEPLATE RATING-AMPS	TOTAL EXTENSION CORD LENGTH-FEET							
	25	50	75	100	125	150	175	200
0 - 10.0	18	18	16	16	14	14	12	12
10.1 - 13.0	16	16	14	14	14	12	12	12
13.1 - 15.0	14	14	12	12	12	12	12	—

## Motor

Your DeWALT tool is powered by a DeWALT built motor. Be sure your power supply agrees with the nameplate marking.

Volts 50/60 Hz or "AC only" means your tool must be operated only with alternating current and never with direct current.

Voltage decrease of more than 10% will cause loss of power and overheating. All DeWALT tools are factory tested; if this tool does not operate, check the power supply.

## Switch

Always pick up your planer by the handle before depressing the switch. **NOTE:** Always remember to keep free hand away from bottom of planer. The planer is started by depressing the trigger in the handle. To turn the planer off, release the trigger (Figure 1). Allow time for the blades to stop turning before setting the tool down.

To lock planer "ON" squeeze the trigger and hold it while you press in the trigger locking button in the handle next to the trigger. Hold the locking button in while you release the trigger and the tool will continue to run. To release the trigger lock, squeeze and release the trigger once.

## Adjusting Planing Depth

### UNPLUG THE PLANER

The adjustment of the desired depths is accomplished by turning the shoe adjustment knob shown in Figure 2.

The shoe adjustment knob is graduated around its base with each graduation equaling  $1/128"$  (.2mm). The full adjustment range is from 0 to  $5/32"$  (4mm). Each click of the adjustment knob represents  $1/256"$  (.1mm).

To adjust the depth, simply rotate the knob to the desired setting by aligning the setting with the indicator arrow on the housing, as shown in Figure 3. With the planing depth set, you are ready to begin planing. Before you do any finish planing on your project, make a few practice runs on some scrap or unseen material to develop a "feel" for your tool.

FIG. 1

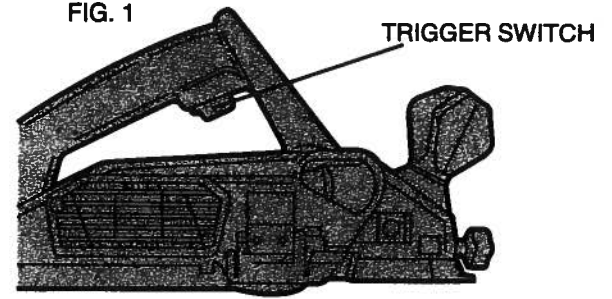


FIG. 2

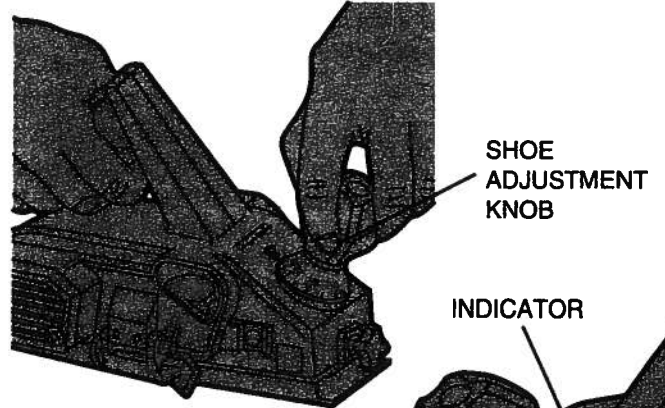
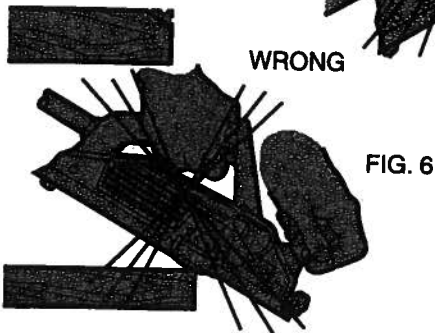
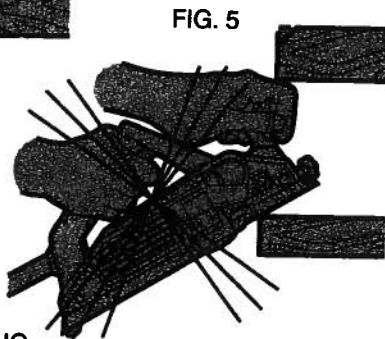
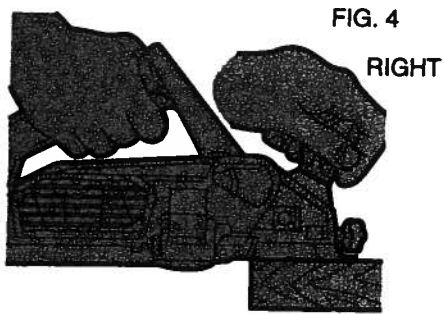


FIG. 3



## **Planing**

With both hands on the tool, place the front shoe on the work, making certain that blades are not touching the work. Put pressure on the handle so that the front shoe is absolutely flat on the work (Figure 4). Start to plane with motor running at full speed.

**NOTE:** Several shallow passes will produce a smoother surface than one deep one.

In the beginning and at the end of planing, be especially careful to keep your planer flat on the work (Figures 5 & 6).

## **Side Fence Safety Cover**

The planer is equipped with an adjustable side fence to assist you in planing long pieces. A safety cover mounted to the side fence covers all of the planer blade that is not being used to plane. Assemble the side fence and safety cover as shown in Figure 7.

**NOTE:** When using the whole side of the blade for planing, as shown in Figure 8, the safety cover need not be installed; it will not cover any portion of the blade in this situation.

## **Fence Adjustment**

### **UNPLUG PLANER**

The side fence is secured in the front bore. Mount the fence as shown in Figure 8, and use it to guide the planer along the edge of the wood. **NOTE:** In order for the fence to perform properly, the edge of the wood must be flat and at 90° from the surface being planed.

**NOTE:** For proper rabbeting, it is necessary to use fence. Refer to Figure 11.

## **Rabbling (See Figure 9)**

Install the Depth Stop and secure it using the Depth Stop Knob. (Both of these parts are in the plastic bag packed with your planer.)

### **UNPLUG PLANER**

To set depth of rabbet, loosen knob "A," set depth stop "B" to desired dimension (Measure from bottom of fixed shoe, to bottom of depth stop). Tighten knob "A" (Figure 9). Before doing any finishing work, make several practice cuts on scrap lumber until you feel comfortable with the planer and rabbeting guide. (Remember that several shallow cuts are better than one deep cut.) Maximum rabbeting depth is 7/8" (22mm). Maximum removal in one pass is 9/64" (3.75mm) therefore several cuts will be required to obtain maximum rabbeting depth of 7/8" (22mm).

### **Adjustment of Rabbet Width**

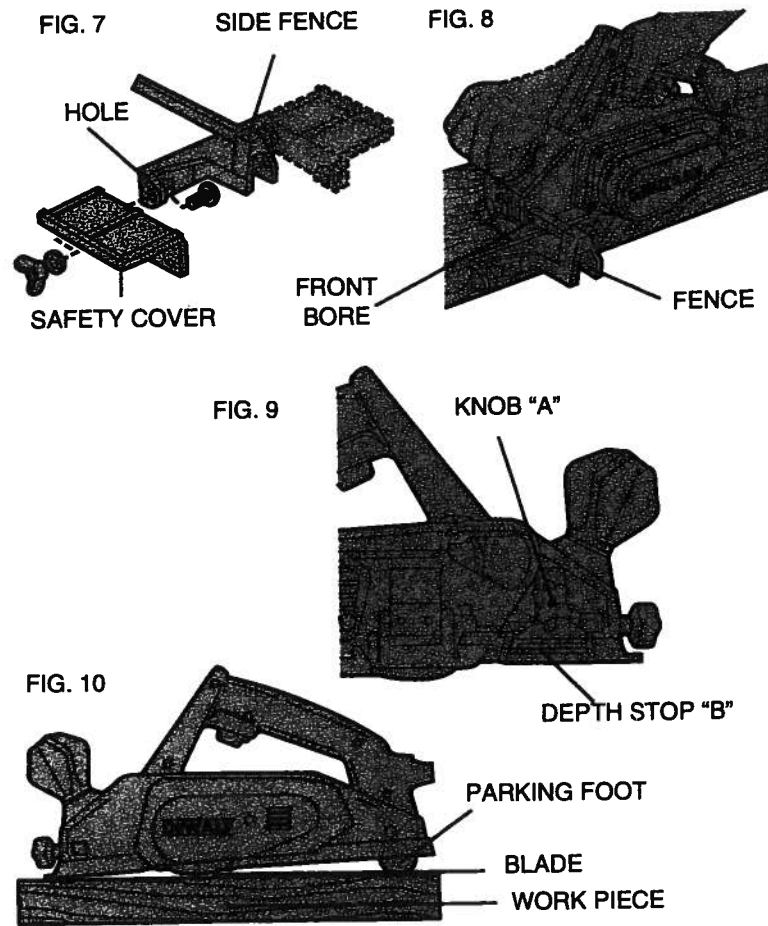
For proper rabbeting, it is necessary to use the fence. Refer to Figure 11. Adjust to desired cutting width by loosening fence clamping knob, move fence to preferred setting, then retighten knob.

### **Edge Chamfering**

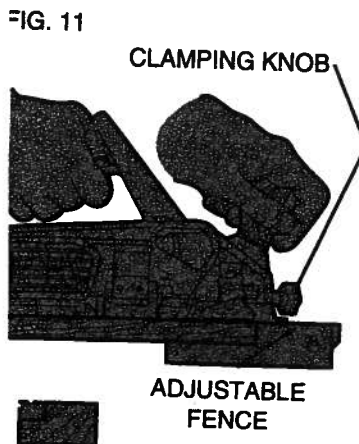
Your planer has 3 precision machined grooves in the center of the front of the shoe for planing along the edge of the wood. The widths of the grooves are 1.5mm, 2mm and 2.5mm. Here, again, it's a good idea to try a piece of scrap wood before doing finish work. (Figure 12).

### **Parking Foot**

Your planer is equipped with a parking foot that automatically falls down into place when the tool is lifted from the work surface.







When planing, the parking foot folds up, out of the way, as the tool is pushed forward.

When the parking foot is down, the tool can be left standing on the work surface without the blade touching the work. (See Figure 10).

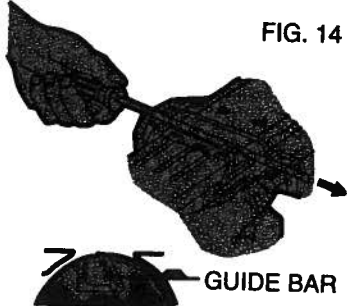
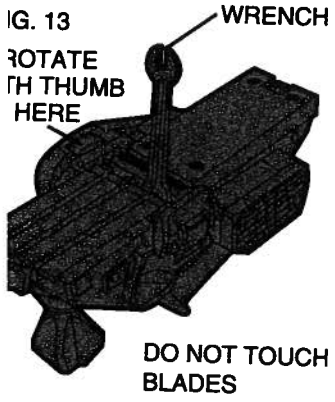
**How to Change and Adjust Blades**

For best results, always use sharp blades. Check for damaged blades and replace as necessary. Replacement blades are available at your local DeWALT certified service center.

**NOTE:** Blades are dual edged and reversible for extended cutting life.

**TO CHANGE BLADES**

1. Unplug the planer.
2. Loosen the three hex head bolts with the wrench provided. (Figure 13)
3. Slide blade out with screwdriver and turn over or replace with new blade. **CAUTION:** When changing blades, do not remove guide bar from drum. See Figure 14.
4. Rotate drum by hand, as shown in Figure 13, to make sure blade does not interfere with housing. Check both sides.
5. Alternately tighten three hex head bolts gradually until secure. This procedure prevents misalignment of blade due to clamping forces.
6. Repeat procedure for blade #2.
7. Before doing any finish work, make a few cuts on scrap lumber to assure blades are properly installed.



## **Accessories**

DeWALT offers a selection of replacement blades and other accessories to enhance the versatility of your planer.

Recommended accessories for your tool are available at your local DeWALT certified service center. The use of any other accessories or attachments may be hazardous. If you have any questions concerning which accessories are recommended, contact DeWALT Industrial Tool Company, P.O. Box 158 626 Hanover Pike, Hampstead, MD 21074 or call 1-800-4-DeWALT (1-800-433-9258).

## **Lubrication**

All bearings used are factory lubricated to last the life of the tool.

## **Maintenance**

After every use of the tool, make sure the tool is cleaned out with an air hose and free of all debris.

## **Important**

To assure product SAFETY and RELIABILITY, repairs, maintenance and adjustment, (excluding that described in this manual) should be performed by DeWALT certified service centers or other qualified service organizations. These service organizations service DeWALT tools always using DeWALT replacement parts. Black & Decker (U.S.) Inc. industrial tool service centers are certified for servicing DeWALT industrial tools.

## **Full Warranty**

DeWALT heavy duty industrial tools are warranted for one year from date of purchase. We will repair, without charge, any defects due to faulty materials or workmanship. Arrangements have been

made with the Industrial Tool Division of Black & Decker (U.S. Inc. to provide warranty repairs for DeWALT tools. Please return the complete unit, transportation prepaid, to any Black & Decker (U.S.) Inc. Industrial Service Center or Authorized Service Station listed under "Tools, Electric" in the Yellow Pages. This warranty does not apply to accessories or damage caused where repair have been made or attempted by others. This warranty gives you specific legal rights and you may have other rights which vary from state to state.

In addition to the warranty, DeWALT tools are covered by our:

### **30 DAY NO RISK SATISFACTION GUARANTEE**

If you are not completely satisfied with the performance of your DeWALT heavy duty industrial tool, simply return it to the participating seller within 30 days for a full refund. Please return the complete unit, transportation prepaid. Proof of purchase may be required.

Like most DeWALT products your tool is listed by Underwriters' Laboratories to ensure that it meets stringent safety requirements.

This symbol on the nameplate means the product is listed by Underwriters' Laboratories, Inc.



**See 'Tools-Electric'  
- Yellow Pages -  
for Service & Sales**

**Other DeWALT Heavy Duty Industrial  
Tools Available From Your Local Dealer**



DW944K



DW945K

**DW944K 9.6V Heavy Duty Versa-Clutch Cordless 3/8\"  
Driver/Drill Kit with Keyless Chuck:**

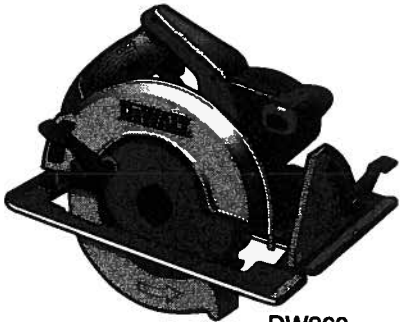
High performance industrial Versa-Clutch cordless Driver/Drill has two variable speed ranges and reversing to perform well in a wide variety of metals and wood. The extremely versatile cordless Driver/Drill has 11 clutch settings, a keyless chuck and delivers more power and torque than any cordless drill in its class. Also available:

**DW945K 12.0V Heavy Duty Versa-Clutch Cordless 3/8\"  
Driver/Drill Kit with Keyless Chuck**

**DW942R 7.2V Heavy Duty Cordless 3/8\" VSR Drill**

**DW360 Heavy Duty 7-1/4\" Circular Saw with Electric Brake:**

High performance industrial saw has a 13 amp rating and a 2 second electric brake. It has a 50 degree bevel capacity and steel helical gears to assure long term reliability. It delivers more watts out and more torque than other saws in its class.



DW360



DW942R

**Other DeWALT Heavy Duty Industrial  
Tools Available From Your Local Dealer**

**DW100 Heavy Duty 3/8" VSR Drill:**

High performance industrial quality variable speed reversing drill is designed for long life in heavy-duty professional use. High speed (0-2500 RPM) and 4.0 amps enable the drill to perform well in a wide variety of metals, wood, masonry and composite materials. It also has a built-in 2-way bubble level for drilling accuracy.

**DW411 Heavy Duty 1/4 Sheet Palm Grip Sander:**

High performance industrial palm grip sander has efficient through-the-pad dust collection. Low vibration design delivers less than half the vibration of other palm sanders for greater comfort and durability. The sander gives fast and efficient material removal.

**DW304K Heavy Duty VS Reciprocating Saw Kit:**

High performance industrial reciprocating saw has low vibration design to reduce user fatigue. High power (6.0 amps and 1-1/8" stroke length) allows increased productivity. Lightweight and comfortable.

**DW120K Heavy Duty 1/2" Right Angle Drill Kit:**

High performance industrial right angle drill is reversing and has three speeds (400/600/900 RPM) for plumbing and electrical applications. Powerful 7.0 amp motor easily handles popular 2-9/16" self-feed bits.

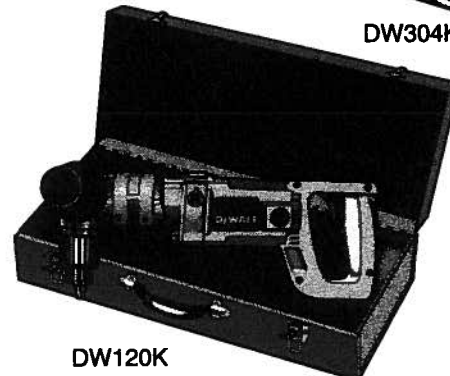


DW411

DW100



DW304K



DW120K