

If you have questions or comments, contact us.
 Pour toute question ou tout commentaire, nous contacter.
 Si tiene dudas o comentarios, contáctenos.

1-800-4-DEWALT • www.dewalt.com

INSTRUCTIVO DE OPERACIÓN, CENTROS DE SERVICIO Y PÓLIZA DE GARANTÍA. ADVERTENCIA: LEASE ESTE INSTRUCTIVO ANTES DE USAR EL PRODUCTO.

INSTRUCTION MANUAL
 GUIDE D'UTILISATION
 MANUAL DE INSTRUCCIONES

DEWALT®

DW432 3" x 21" Belt Sander
 DW433 3" x 21" Variable Speed Belt Sander
 DW432 Ponceuse à courroie (7,6 x 53,3 cm ou 3 x 21 po)
 DW433 Ponceuse à courroie à vitesse variable (7,6 x 53,3 cm ou 3 po x 21 po)
 DW432 3" x 21" Lijadora de correa
 DW433 3" x 21" Lijadora de correa de velocidad variable

- **Avoid accidental starting. Be sure switch is off before plugging in.** Carrying tools with your finger on the switch or plugging in tools that have the switch on invites accidents.
- **Remove adjusting keys or wrenches before turning the tool on.** A wrench or a key that is left attached to a rotating part of the tool may result in personal injury.
- **Do not overreach. Keep proper footing and balance at all times.** Proper footing and balance enables better control of the tool in unexpected situations.
- **Use safety equipment. Always wear eye protection.** Dust mask, non-skid safety shoes, hard hat, or hearing protection must be used for appropriate conditions.

TOOL USE AND CARE

- **Use clamps or other practical way to secure and support the workpiece to a stable platform.** Holding the work by hand or against your body is unstable and may lead to loss of control.
- **Do not force tool. Use the correct tool for your application.** The correct tool will do the job better and safer at the rate for which it is designed.
- **Do not use tool if switch does not turn it on or off.** Any tool that cannot be controlled with the switch is dangerous and must be repaired.
- **Disconnect the plug from the power source before making any adjustments, changing accessories, or storing the tool.** Such preventative safety measures reduce the risk of starting the tool accidentally.
- **Store idle tools out of reach of children and other untrained persons.** Tools are dangerous in the hands of untrained users.
- **Maintain tools with care. Keep cutting tools sharp and clean.** Properly maintained tools, with sharp cutting edges are less likely to bind and are easier to control.
- **Check for misalignment or binding of moving parts, breakage of parts, and any other condition that may affect the tool's operation.** If damaged, have the tool serviced before using. Many accidents are caused by poorly maintained tools.
- **Use only accessories that are recommended by the manufacturer for your model.** Accessories that may be suitable for one tool, may become hazardous when used on another tool.

SERVICE

- **Tool service must be performed only by qualified repair personnel.** Service or maintenance performed by unqualified personnel could result in a risk of injury.
- **When servicing a tool, use only identical replacement parts. Follow instructions in the Maintenance section of this manual.** Use of unauthorized parts or failure to follow maintenance instructions may create a risk of electric shock or injury.

ADDITIONAL SPECIFIC SAFETY INSTRUCTIONS FOR BELT SANDERS

- **Hold tool by insulated gripping surfaces when performing an operation where the cutting tool may contact hidden wiring or its own cord.** Contact with a "live" wire will make exposed metal parts of the tool "live" and shock the operator.
- **Do not sand metal of any kind with your belt sander.** Sparks may be generated by sanding screws, nails or other metals which may ignite dust particles.
- **Do not wet sand with this sander.** Liquids may enter the motor housing and cause electric shock.
- **Empty dust bag frequently.** Especially when sanding resin coated surfaces such as polyurethane, varnish, shellac, etc. The accumulation of fine sanding dust particles may self ignite and cause fire.
- **Do not operate this tool for long periods of time.** Vibration caused by the operating action of this tool may cause permanent injury to fingers, hands, and arms. Use gloves to provide extra cushion, take frequent rest periods, and limit daily time of use.
- **Clean out your tool often, especially after heavy use.** Dust and grit containing metal particles often accumulate on interior surfaces and could create a risk of serious injury, electric shock or electrocution. ALWAYS WEAR SAFETY GLASSES.

▲ CAUTION: Wear appropriate personal hearing protection during use. Under some conditions and duration of use, noise from this product may contribute to hearing loss.

▲ WARNING: Some dust created by power sanding, sawing, grinding, drilling, and other construction activities contains chemicals known to cause cancer, birth defects or other reproductive harm. Some examples of these chemicals are:

- lead from lead-based paints.
- crystalline silica from bricks and cement and other masonry products.
- arsenic and chromium from chemically-treated lumber (CCA).

Your risk from these exposures varies, depending on how often you do this type of work. To reduce your exposure to these chemicals: work in a well ventilated area, and work with approved safety equipment, such as those dust masks that are specially designed to filter out microscopic particles.

- **Avoid prolonged contact with dust from power sanding, sawing, grinding, drilling, and other construction activities. Wear protective clothing and wash exposed areas with soap and water.** Allowing dust to get into your mouth, eyes, or lay on the skin may promote absorption of harmful chemicals.

▲ CAUTION: Use of this tool can generate and/or disburse dust, which may cause serious and permanent respiratory or other injury. Always use NIOSH/OSHA approved respiratory protection appropriate for the dust exposure. Direct particles away from face and body.

- The label on your tool may include the following symbols. The symbols and their definitions are as follows:

V	volts	A	amperes
Hz	hertz	W	watts
min	minutes	~	alternating current
====	direct current	n _o	no load speed
☐	Class II Construction	⊕	earthing terminal
▲	safety alert symbol	.../min	revolutions per minute

Precautions To Take When Sanding Paint

1. Sanding of lead based paint is NOT RECOMMENDED due to the difficulty of controlling the contaminated dust. The greatest danger of lead poisoning is to children and pregnant women.
2. Since it is difficult to identify whether or not a paint contains lead without a chemical analysis, we recommend the following precautions when sanding any paint:

PERSONAL SAFETY

1. No children or pregnant women should enter the work area where the paint sanding is being done until all clean up is completed.
2. A dust mask or respirator should be worn by all persons entering the work area. The filter should be replaced daily or whenever the wearer has difficulty breathing. See your local hardware store for the proper N.I.O.S.H. approved dust mask.
3. NO EATING, DRINKING or SMOKING should be done in the work area to prevent ingesting contaminated paint particles. Workers should wash and clean up BEFORE eating, drinking or smoking. Articles of food, drink, or smoking should not be left in the work area where dust would settle on them.

ENVIRONMENTAL SAFETY

1. Paint should be removed in such a manner as to minimize the amount of dust generated.
2. Areas where paint removal is occurring should be sealed with plastic sheeting of 4 mils thickness.
3. Sanding should be done in a manner to reduce tracking of paint dust outside the work area.

CLEANING AND DISPOSAL

1. All surfaces in the work area should be vacuumed and thoroughly cleaned daily for the duration of the sanding project. Vacuum filter bags should be changed frequently.
2. Plastic drop cloths should be gathered up and disposed of along with any dust chips or other removal debris. They should be placed in sealed refuse receptacles and disposed of through regular trash pick-up procedures. During clean up, children and pregnant women should be kept away from the immediate work area.
3. All toys, washable furniture and utensils used by children should be washed thoroughly before being used again.

DeWALT Industrial Tool Co., 701 East Joppa Road, Baltimore, MD 21286
 (DEC05) Form No. 398081-01 DW432, 433 Copyright © 2003, 2004, 2005 DeWALT

The following are trademarks for one or more DeWALT power tools: the yellow and black color scheme; the "D" shaped air intake grill; the array of pyramids on the handgrip; the kit box configuration; and the array of lozenge-shaped humps on the surface of the tool.

IF YOU HAVE ANY QUESTIONS OR COMMENTS ABOUT THIS OR ANY DeWALT TOOL, CALL US TOLL FREE AT: 1-800-4-DEWALT (1-800-433-9258)

SAVE THESE INSTRUCTIONS

▲ WARNING! Read and understand all instructions including that provided with attachment and accessories. Failure to follow all instructions listed below may result in electric shock, fire and/or serious personal injury.

GENERAL SAFETY INSTRUCTIONS

WORK AREA

- **Keep your work area clean and well lit.** Cluttered benches and dark areas invite accidents.
- **Do not operate power tools in explosive atmospheres, such as in the presence of flammable liquids, gases, or dust.** Power tools create sparks which may ignite the dust or fumes.
- **Keep bystanders, children, and visitors away while operating a power tool.** Distractions can cause you to lose control.

ELECTRICAL SAFETY

- **Grounded tools must be plugged into an outlet properly installed and grounded in accordance with all codes and ordinances. Never remove the grounding prong or modify the plug in any way. Do not use any adaptor plugs.** Check with a qualified electrician if you are in doubt as to whether the outlet is properly grounded. If the tools should electrically malfunction or break down, grounding provides a low resistance path to carry electricity away from the user. Applicable only to Class I (grounded) tools.
- **Double insulated tools are equipped with a polarized plug (one blade is wider than the other.) This plug will fit in a polarized outlet only one way. If the plug does not fit fully in the outlet, reverse the plug. If it still does not fit, contact a qualified electrician to install a polarized outlet. Do not change the plug in any way. Double insulation ☐ eliminates the need for the three wire grounded power cord and grounded power supply system. Applicable only to Class II (double insulated) tools.**
- **Avoid body contact with grounded surfaces such as pipes, radiators, ranges and refrigerators.** There is an increased risk of electric shock if your body is grounded.
- **Don't expose power tools to rain or wet conditions.** Water entering a power tool will increase the risk of electric shock.
- **Do not abuse the cord. Never use the cord to carry the tools or pull the plug from an outlet. Keep cord away from heat, oil, sharp edges or moving parts. Replace damaged cords immediately.** Damaged cords increase the risk of electric shock.
- **When operating a power tool outside, use an outdoor extension cord marked "W-A" or "W."** These cords are rated for outdoor use and reduce the risk of electric shock.

Volts	Minimum Gage for Cord Sets			
	Total Length of Cord in Feet			
120V	0-25	26-50	51-100	101-150
Ampere Rating	AWG			
More Than				
Not more Than				
12 - 16	14	12	Not Recommended	

PERSONAL SAFETY

- **Stay alert, watch what you are doing and use common sense when operating a power tool. Do not use tool while tired or under the influence of drugs, alcohol, or medication.** A moment of inattention while operating power tools may result in serious personal injury.
- **Dress properly. Do not wear loose clothing or jewelry. Contain long hair. Keep your hair, clothing, and gloves away from moving parts.** Loose clothing, jewelry, or long hair can be caught in moving parts. Air vents often cover moving parts and should also be avoided.

ASSEMBLY

Replacing the Sanding Belt

▲ WARNING: BE SURE SANDER IS TURNED OFF AND DISCONNECTED FROM THE POWER SUPPLY WHEN CHANGING THE SANDING BELT. BEFORE RECONNECTING THE TOOL, DEPRESS AND RELEASE THE TRIGGER SWITCH TO ENSURE THAT THE TOOL IS OFF.

TO REMOVE SANDING BELT (FIG. 2)

1. Rotate the belt release lever (A) up until the top front wheel of the sander retracts releasing the tension on the abrasive belt.
2. Set the sander on its side so all three wheels are visible.
3. Remove the worn out belt.

TO INSTALL SANDING BELT

1. Slip a new belt around the wheels. Arrows printed on the inside of the belt point in the direction in which the wheels turn. Orient the belt in the direction of wheel rotation. Be sure the belt does not go over the tracking flange (B) located on the inside of the top, front wheel as shown in Figure 3.
2. Rotate the belt release lever (A) down into position to reapply tension to the belt.

NOTE: Some sanding belts are multi-directional and do not have arrows. The direction of rotation is also indicated on the brush cover (C) in Figure 1.

MOTOR

Your DeWALT tool is powered by a DeWALT-built motor. Be sure your power supply agrees with the nameplate marking. Volts 50/60 Hz or "AC only" means your tool must be operated only with alternating current and never with direct current. Voltage decrease of more than 10% will cause loss of power and overheating. All DeWALT tools are factory tested, if this tool does not operate, check the power supply.

OPERATION

Switch Operation

To start the belt sander, depress the trigger switch (D). Allow the belt sander to reach operating speed before touching the work surface.

To slow or stop the belt sander, release the trigger switch.

For continuous operation, press in the lock button (E) while the trigger switch is depressed and the belt sander is running (Fig. 2).

To release from continuous operation, squeeze the trigger and the lock will disengage.

▲ WARNING: BE SURE THE LOCK BUTTON IS NOT DEPRESSED BY CYCLING THE SWITCH SEVERAL TIMES OR BY DEPRESSING AND RELEASING THE SWITCH SEVERAL TIMES BEFORE PLUGGING IN YOUR BELT SANDER! DAMAGE TO YOUR TOOL OR PERSONAL INJURY MAY RESULT.

Variable Speed (DW433 ONLY)

The speed control dial, located on the back of the rear handle, moves the speed of the sanding belt from approximately 850 surface feet per minute on speed #1 (light sanding; fine grit sanding belts) to approximately 1400 surface feet per minute on speed #6 (more aggressive sanding; coarse sanding belts). Low speeds also prevent excessive belt wear and overheating when removing paint with the belt sander.

Front Handle

There are two positions for the front handle: top position and front position. The unit comes with the handle installed in the top position (F) as shown in Figure 1.

TO POSITION THE HANDLE

1. Loosen the screw in the center of the handle using a Phillips screwdriver.
2. Attach the handle to the threaded hole in the front (G) or the top (F) of the unit.
3. Tighten the screw.

NOTE: The handle must be properly seated over the mounting surface before tightening the screw.

Tracking the Belt

Your belt sander is equipped with an automatic tracking system that prevents the belt from moving into the housing while the sander is operating. The automatic tracking system prevents damage to the sander housing and the destruction of the sanding belt.

TO PROPERLY TRACK THE SANDING BELT (FIG. 2)

1. Grasp the rear handle (H) of the unit firmly and flip the sander so that the belt is facing the operator.
2. Depress the trigger (D) to begin rotation of the belt.
3. Turn the tracking knob (I) counterclockwise to move the belt toward the housing. Turn the knob clockwise to move it away from the housing.

NOTE: The belt should be aligned with the flush edge of the platen (J) while the sander is in operation (Fig. 4).

4. Release the trigger and make sure the belt has come to a complete stop before setting the unit down.

Proper Hand Position

Safe belt sanding is a two-handed operation. One hand is used to grip the rear handle of the unit while the other hand is used to grip the front handle as seen in Figure 4.

Dust Collection System

▲ WARNING: Turn off and unplug sander before making any adjustments or removing or installing accessories. Before reconnecting the tool, depress and release the trigger switch to ensure that the tool is off.

TO ATTACH THE DUST COLLECTOR (FIG. 5)

1. Pull the locking dust chute collar (K) up.
2. Insert the rubber dust ejection chute into the collar. Make sure the slots on the collar are aligned with the nubs (L) on the ejection chute.
3. Push the dust collector from the rear of the bag until the ejection chute snaps into the dust chute collar and the locks onto the belt cover (M).
4. Push the locking dust chute collar down to secure the dust collector to the unit.

TO EMPTY THE DUST COLLECTOR

1. Pull up on the locking dust chute collar.
2. Remove the dust collector, the rubber ejection chute, and dust collector from the unit together.
3. Once the dust collector is disconnected from the unit, release the dust seal latch (N) on the underside of the collector (Fig. 6).
4. Squeeze the dust chute in the spaces indicated (O) to release the collector.
5. Pull the dust bag up to release it from the chute.
6. Slide the dust collector off of the rubber dust ejection chute.
7. Shake the bag and ejection chute over a trash can, tapping the bag lightly against the can to loosen any compacted dust particles.
8. When the dust collector is empty, reattach it to the dust ejection chute and then to the sander.

DUST COLLECTION SHUT-OFF VALVE (FIG. 2)

When sanding in tight places, the dust collector may be removed.

▲ CAUTION: With the dust collector removed, the stream of dust will be blown through the exhaust port toward the operator unless the dust collection valve is closed.

To close the dust collection valve, push the lever (P) forward. This will prevent the flow of dust from the exhaust port.

To open the dust collection valve, pull the lever (P) backward. This will allow the flow of dust to exit the exhaust port.

ACCESSORIES

Two accessories are offered for DeWALT belt sanders, DW432, DW433, at extra cost from your local service center. They are the DW4050-Vacuum Adapter and DW4055-Integrated Sanding Frame and Inversion Stand.

▲ CAUTION: The use of any other accessory not recommended for use with this tool could be hazardous.

If you need any assistance in locating these accessories, please contact DeWALT Industrial Tool Co., 701 East Joppa Road, Baltimore, MD 21286 or call 1-800-4-DeWALT (1-800-433-9258).

Vacuum Adapter – DW4050 (Sold Separately)

Your belt sander can be attached to a 1-1/4" shop vacuum hose for dust collection.

TO ATTACH THE VACUUM ADAPTER TO THE BELT SANDER

1. Pull up on the dust seal latch (N), shown in Figure 6, and remove the dust chute and dust bag from the belt sander.
2. Insert the vacuum adapter (Fig. 7) into the dust ejection port and push the latch closed securing the adapter to the sander.
3. Attach the vacuum to the adapter.

▲ WARNING: The use of a vacuum hose and vacuum adapter with the belt sander may generate static electricity that could result in startling static discharge.

MAINTENANCE

▲ WARNING: Turn off and unplug sander before making any adjustments or removing or installing accessories. Before reconnecting the tool, depress and release the trigger switch to ensure that the tool is off.

The brushes on your belt sander may require replacement at some point during the life of the tool. Contact your local DeWALT authorized service center to obtain additional brushes.

TO REMOVE THE BRUSHES

1. To remove the brush cover (C), use a flat head screwdriver or a T20 Torx Bit (Fig. 1).
2. Remove the brushes.

The cork under the platen on your belt sander may require replacement at some point during the life of the tool. A new platen/cork is available through your DeWALT service center.

TO INSTALL A NEW PLATEN/CORK ON YOUR BELT SANDER

1. Remove the sanding belt from the sander as described in Assembly.
2. Use an M3 hex wrench to remove the existing steel platen/cork on the underside of the unit.
3. Attach the new platen/cork to the sander and discard the old one.
4. Install a sanding belt as described in Assembly.

Cleaning and Lubrication

Use only mild soap and a damp cloth to clean the tool.

▲ CAUTION: Never let any liquid get inside the tool; never immerse any part of the tool into a liquid.

▲ CAUTION: Never use solvents or other harsh chemicals for cleaning the non-metallic parts of the tool.

Self lubricating ball and roller bearings are used in the tool and relubrication is not required. However, it is recommended that, once a year, you take or send the tool to a DeWALT certified service center for a thorough cleaning, inspection and lubrication of the gear case.

Repairs

To assure product SAFETY and RELIABILITY, repairs, maintenance and adjustment (including brush inspection and replacement) should be performed by a DeWALT factory service center, a DeWALT authorized service center or other qualified service personnel. Always use identical replacement parts.

Three Year Limited Warranty

DeWALT will repair, without charge, any defects due to faulty materials or workmanship for three years from the date of purchase. This warranty does not cover part failure due to normal wear or tool abuse. For further detail of warranty coverage and warranty repair information, visit www.dewalt.com or call 1-800-4-DeWALT (1-800-433-9258). This warranty does not apply to accessories or damage caused where repairs have been made or attempted by others. This warranty gives you specific legal rights and you may have other rights which vary in certain states or provinces.

In addition to the warranty, DeWALT tools are covered by our:

1 YEAR FREE SERVICE

DeWALT will maintain the tool and replace worn parts caused by normal use, for free, any time during the first year after purchase.

90 DAY MONEY BACK GUARANTEE

If you are not completely satisfied with the performance of your DeWALT Power Tool, Laser, or Nailer for any reason, you can return it within 90 days from the date of purchase with a receipt for a full refund – no questions asked.

LATIN AMERICA: This warranty does not apply to products sold in Latin America. For products sold in Latin America, see country specific warranty information contained either in the packaging, call the local company or see website for warranty information.

FREE WARNING LABEL REPLACEMENT: If your warning labels become illegible or are missing, call 1-800-4-DeWALT for a free replacement.

▲ WARNING

COLLECTED SANDING DUST FROM SANDING SURFACE COATINGS (POLYURETHANE, LINSEED OIL, ETC.) CAN SELF-IGNITE IN SANDER DUST BAG OR ELSEWHERE AND CAUSE FIRE. TO REDUCE RISK, EMPTY BAG FREQUENTLY AND STRICTLY FOLLOW SANDER MANUAL AND COATING MANUFACTURER'S INSTRUCTIONS.

▲ WARNING AVERTISSEMENT

TO REDUCE THE RISK OF INJURY, USER MUST READ AND UNDERSTAND INSTRUCTION MANUAL. ALWAYS USE PROPER EYE AND RESPIRATORY PROTECTION. À TITRE PREVENTIF, LIRE LE GUIDE.

DeWALT INDUSTRIAL TOOL CO.,
BALTIMORE, MD 21286 U.S.A.
FOR SERVICE INFORMATION,
CALL 1-800-4-DeWALT
www.Dewalt.com

SER.

SI VOUS AVEZ DES QUESTIONS OU VOUS VOULEZ NOUS FAIRE PART DE VOS COMMENTAIRES CONCERNANT CET OUTIL OU TOUT AUTRE OUTIL DeWALT, COMPOSEZ SANS FRAIS LE : 1 800 4-DeWALT (1 800 433-9258)

CONSERVEZ CES DIRECTIVES

▲ MISE EN GARDE ! Lire, comprendre et suivre toutes les directives suivantes, y compris celles fournies avec les accessoires, afin d'éviter tout risque de choc électrique, d'incendie ou de blessure grave.

RÈGLES DE SÉCURITÉ – GÉNÉRALITÉS

ZONE DE TRAVAIL

- **Maintenez votre zone de travail propre et bien éclairée.** Les établis encombrés et les zones sombres invitent les accidents.
- **Ne pas faire fonctionner d'outil électrique dans un environnement explosif, en présence de liquides, gaz ou poussières inflammables.** Les outils électriques produisent des étincelles qui peuvent enflammer poussières ou vapeurs environnantes.
- **Se tenir éloigné de toute personne présente (enfants ou visiteurs), lors de l'utilisation d'outil électrique.** Toute distraction peut vous en faire perdre le contrôle.

MESURES DE SÉCURITÉ – ÉLECTRICITÉ

- **Les outils mis à la terre doivent être branchés dans une prise aux normes et mise à la terre conformément aux codes et règles en usage. Ne jamais retirer la broche de masse ou modifier la prise de quelque façon que ce soit. N'utilisez pas d'adaptateur de mise à la terre. Renseignez-vous auprès d'un électricien qualifié si vous avez des doutes quant à la mise à la terre de votre prise. Si l'outil devait subir une défaillance électrique ou une avarie, la mise à la terre procure au courant un chemin de plus faible résistance afin de réduire les risques de choc électrique. Valide seulement pour les outils de Classe I (mis à la terre).**
- **Les outils munis d'une double isolation sont équipés d'une fiche polarisée (l'une des lames est plus large que l'autre). Ce genre de fiche ne rentre dans une prise polarisée que dans un seul sens. Et on doit l'inverser si on est incapable de l'enfoncer. Si le prob-**

FIG. 1

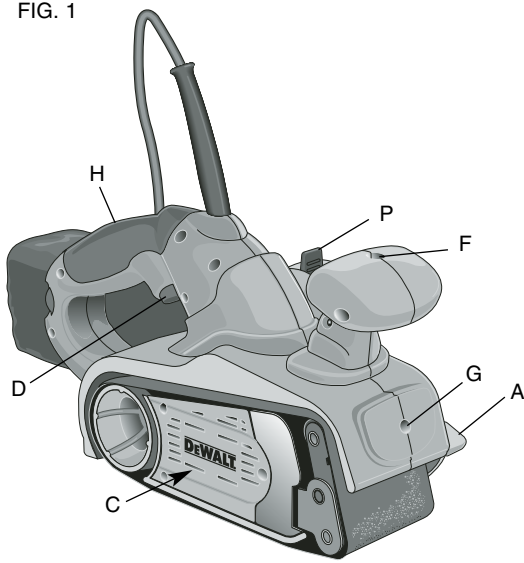
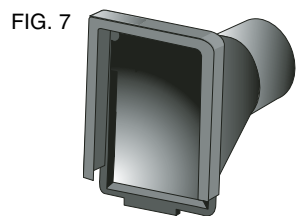
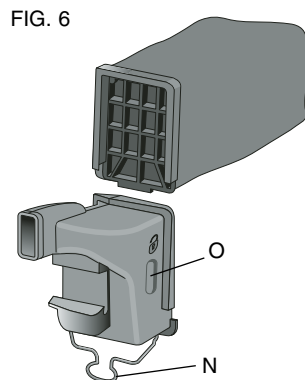
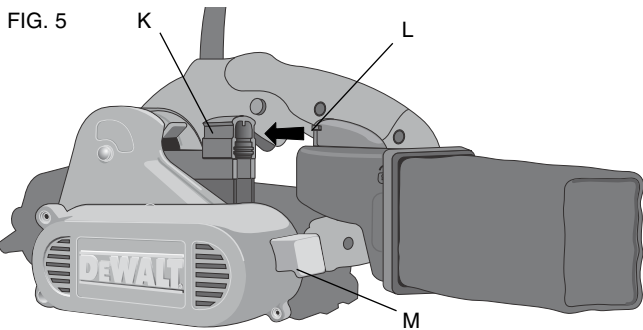
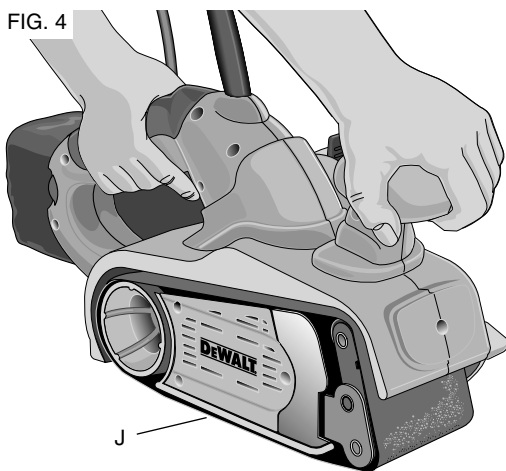
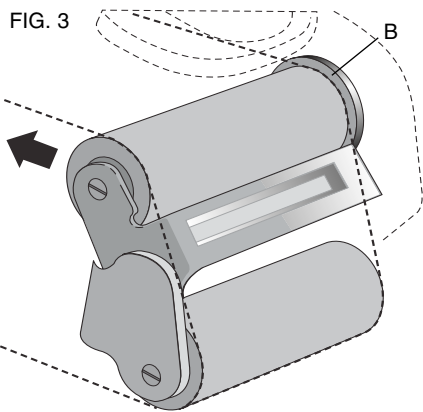
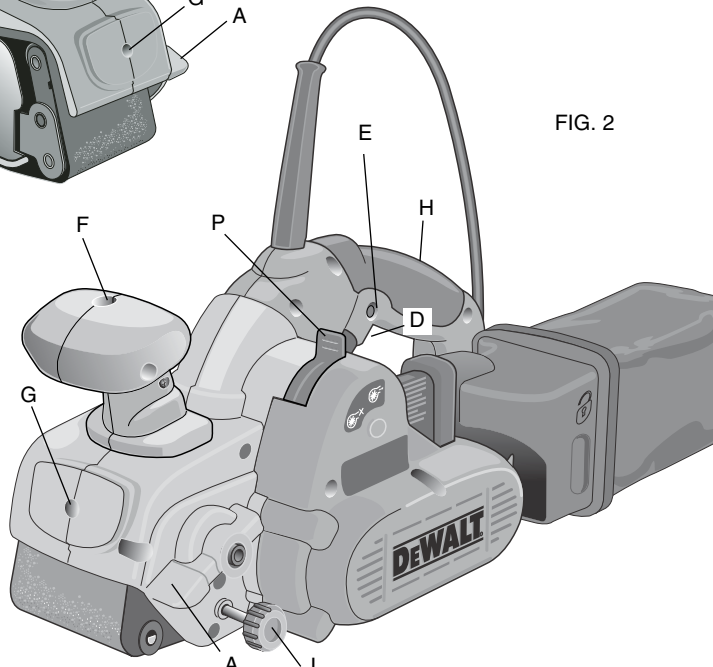



FIG. 2



lème persiste contactez un électricien qualifié pour qu'il installe la prise appropriée. Ne jamais modifier la fiche en aucune façon. La double isolation  élimine le besoin d'installer un cordon d'alimentation trifilaire et un système d'alimentation électrique pourvus d'une mise à la terre. Valable seulement pour les outils de Classe II (à isolation double).

- Évitez de toucher des surfaces mises à la terre telles celles de tuyaux, radiateurs, cuisinières et réfrigérateurs. Les risques de chocs électriques augmentent lorsque le corps est mis à la terre.
- Ne pas exposer les outils électriques à la pluie ou à l'humidité. Toute pénétration d'un outil électrique par un liquide augmente les risques de choc électrique.
- Ne pas utiliser le cordon de façon abusive. Ne jamais utiliser le cordon pour transporter un outil ou arracher la fiche de la prise. Maintenez le cordon à l'abri de la chaleur, de l'huile, de bords acérés ou de pièces mobiles. Remplacez tout cordon endommagé immédiatement. Tout cordon endommagé augmente les risques de choc électrique.
- Lorsque vous utilisez un outil à l'extérieur, utilisez une rallonge conçue pour cet usage du type "W-A" ou "W". Ces rallonges sont prévues à cet effet et réduisent les risques de chocs électriques.

CALIBRE MINIMAL RECOMMANDÉ DES RALLONGES

Tension	Longueur totale du cordon en mètres			
	De 0 à 7	De 7 à 15	De 15 à 30	De 30 à 45
Intensité (A)	Calibre moyen de fil			
Au moins				
Au plus				
12	16	14	12	Non recommandé

SÉCURITÉ PERSONNELLE

- Concentrez-vous sur votre travail et faites preuve de bon sens lorsque vous utilisez un outil électrique. N'utilisez pas d'outil électrique si vous êtes fatigué ou sous l'influence de drogues, alcool ou médicaments. Un simple moment d'inattention lors de l'utilisation d'un outil électrique pourrait entraîner des dommages corporels sérieux.
- Portez des vêtements appropriés. Évitez les vêtements trop larges ou les bijoux. Attachez les cheveux longs. Maintenez vos cheveux, vêtements ou gants à l'abri de toute pièce mobile. Vêtements trop larges, bijoux ou cheveux longs pourraient se prendre dans les pièces mobiles. Se tenir éloigné des événements puisque ces derniers pourraient camoufler des pièces mobiles.
- Évitez tout démarrage accidentel. Assurez-vous que l'interrupteur est verrouillé ou en position d'arrêt avant tout branchement. Le fait de porter un outil le doigt sur l'interrupteur ou de le brancher alors que l'interrupteur est en position de marche favorise les accidents.

- Retirez toute clé de réglage ou serrage avant de mettre l'outil en marche. Si ces clés restaient rattachées à une pièce rotative, elles pourraient provoquer des dommages corporels.
- Maintenez un bon équilibre. **LES PIEDS DOIVENT RESTER BIEN ANCRÉS AU SOL AFIN DE MAINTENIR SON ÉQUILIBRE.** Un bon appui et équilibre offre un meilleur contrôle de l'outil dans les situations inattendues.
- Utilisez du matériel de sécurité. Protégez vos yeux à tout moment. Les masques antipoussière, les chaussures antidérapantes, les casques protecteurs ou les protège-oreilles sont conseillés si appropriés.

UTILISATION ET ENTRETIEN DES OUTILS

- Utilisez des serre-joints ou tout autre moyen pour fixer et immobiliser le matériau sur un établi stable. Tenir la pièce à la main ou contre son corps offre une stabilité insuffisante qui pourrait vous en faire perdre le contrôle.
- Ne forcez pas l'outil. Utilisez l'outil approprié à votre travail. L'outil approprié effectuera un meilleur travail, de façon plus sûre et à la vitesse désirée.
- N'utilisez pas un outil dont l'interrupteur est défectueux. Un outil qui ne peut être contrôlé par son interrupteur est dangereux et doit être réparé.
- Débranchez votre outil avant de faire tout réglage et changement d'accessoire ou avant de le ranger. Ces mesures préventives réduisent les risques de démarrage accidentel de l'appareil.
- Rangez les outils hors de la portée des enfants ou de toute personne inexpérimentée. Les outils peuvent être dangereux entre les mains des novices.
- Prenez soin de vos outils. Maintenez toute lame aiguisée et propre. Les outils bien entretenus, aux lames bien affûtées sont moins susceptibles de se coincer et sont plus faciles à contrôler.
- Vérifiez les pièces mobiles afin de vous assurer qu'elles sont bien alignées et qu'elles ne restent pas coincées; vérifiez également les pièces pour vous assurer qu'il n'y a ni bris ni aucune autre condition susceptible de nuire au bon fonctionnement de l'outil; faites réparer l'outil si ce dernier est endommagé avant de vous en servir à nouveau. Bien des accidents sont causés par des outils mal entretenus.
- N'utilisez que des accessoires recommandés par le fabricant pour le modèle en question. Un accessoire destiné à un outil particulier peut devenir dangereux lorsqu'il est utilisé avec un autre.

RÉPARATION

- Toute réparation des outils doit être confiée à un réparateur qualifié. L'entretien ou les réparations faites par du personnel non qualifié augmente les risques de dommages corporels.
- Pour toute réparation, n'utilisez que des pièces de rechange identiques. Suivez les instructions de la section entretien de ce manuel. L'utilisation de pièces non recommandées ou toute transgression aux instructions d'entretien augmente les risques de chocs électriques ou de dommages corporels.

DIRECTIVES PARTICULIÈRES ADDITIONNELLES DE SÉCURITÉ CONCERNANT LES PONCEUSES À COURROIE

- Saisir l'outil par les surfaces isolées prévues à cet effet lorsque ses pièces de perforation peuvent entrer en contact avec des fils électriques cachés ou son propre cordon. Tout contact avec un fil sous tension mettra automatiquement l'outil sous tension et électrocutera l'utilisateur.
- Ne poncez pas le métal avec votre ponceuse à courroie. La ponceuse peut produire des étincelles en passant sur des vis, des clous ou tout autre métal qui pourraient enflammer les particules de poussière.
- N'utilisez pas cet outil pour effectuer du ponçage humide. Du liquide pourrait pénétrer dans le boîtier du moteur et poser des risques de chocs électriques.
- Videz le sac à poussière fréquemment, surtout lorsque vous poncez des surfaces enduites de résines synthétiques comme le polyuréthane, les vernis, y compris le vernis à la gomme laque, etc. L'accumulation des fines particules de poussières produites par la ponceuse pourrait s'enflammer et causer un incendie.
- Ne pas utiliser cet outil pendant des périodes prolongées. Les vibrations causées par l'action de fonctionnement de l'outil peuvent blesser en permanence les doigts, les mains et les bras. Porter des gants pour amortir les vibrations, faire des pauses fréquentes et limiter le temps d'utilisation quotidien de l'outil.
- Nettoyez votre outil souvent, surtout après usage intensif. La poussière et la saleté contenant des particules métalliques tendent à s'accumuler sur les surfaces internes et peuvent poser des risques de chocs électriques, électrocution et dommages corporels. **PORTEZ TOUJOURS DES LUNETTES DE PROTECTION.**

▲ **MISE EN GARDE :** Portez toujours un dispositif de protection personnel antibruit pendant le ponçage. Sous certaines conditions et suivant la longueur d'utilisation, le bruit émanant de cet appareil pourrait contribuer à une perte de l'ouïe.

▲ **AVERTISSEMENT :** Certains outils électriques, tels que les sableuses, les scies, les meules, les perceuses ou autres outils de construction peuvent produire de la poussière contenant des produits chimiques susceptibles d'entraîner le cancer, des malformations congénitales ou pouvant être nocifs pour le système reproductif. Parmi ces produits chimiques, on retrouve :

- le plomb dans les peintures à base de plomb,
- la silice cristalline dans les briques et le ciment et autres produits de maçonnerie,
- l'arsenic et le chrome dans le bois ayant subi un traitement chimique (ACC).

Les risques d'exposition varient selon le type et la durée du travail. Pour réduire toute exposition à ces produits chimiques, travaillez dans un endroit bien aéré et utilisez le matériel de sécurité approprié, tel un masque anti-poussières spécialement conçu pour filtrer les particules microscopiques.

▲ **MISE EN GARDE :** L'utilisation de cet outil peut créer et/ou évacuer des poussières qui peuvent causer des dommages respiratoires permanents ou autres dommages corporels. Utilisez toujours des appareils respiratoires antipoussières approuvés par le NIOSH ou L'OSHA. Protégez votre visage et corps de toute particule.

- Limitez tout contact prolongé avec les poussières provenant du ponçage, sciage, meulage, perçage ou toute autre activité relative à la construction. Portez des vêtements de protection et nettoyez les parties du corps exposées à l'eau savonneuse. Assurez-vous de bien vous protéger pour éviter d'absorber par la bouche, les yeux ou la peau des produits chimiques dangereux.

- L'étiquette apposée sur votre appareil peut inclure certains symboles. En voici une liste et leur définitions :

V	volts	A	ampères
Hz	hertz	W	watts
min	minutes	~	courant alternatif
====	courant continu	n _o	aucune option à vide
☐	construction de classe II	⊖	borne de terre
▲	symbole d'alerte	.../min	tours par minute

Précautions à prendre lors du ponçage de la peinture

1. Le ponçage de peintures à base de plomb N'EST PAS RECOMMANDÉ car il est difficile de contrôler les poussières contaminées. L'intoxication par le plomb pose le plus grand danger pour les femmes enceintes et les enfants.
2. Comme il est difficile d'identifier les peintures contenant du plomb sans une analyse chimique, nous vous recommandons de prendre les précautions suivantes pendant le ponçage de toute peinture :

SÉCURITÉ PERSONNELLE

1. Les femmes enceintes et les enfants devraient être exclus de tout atelier de travail où le ponçage de la peinture est fait tant qu'un nettoyage complet n'est pas exécuté.
2. Un masque antipoussière ou un appareil respiratoire devrait être porté par toute personne pénétrant dans la zone de travail. Le filtre devrait être remplacé quotidiennement ou lorsque son utilisateur éprouve des difficultés à respirer. Votre quincaillier local vous aidera à trouver les masques antipoussières approuvés par le N.I.O.S.H.
3. Évitez de MANGER, BOIRE ou FUMER dans l'atelier de travail pour prévenir toute ingestion de particules de peinture contaminées. Il est conseillé de se nettoyer et laver AVANT de manger, boire ou fumer. Ne laissez pas de nourriture, boisson ou cigarette là où ils pourraient être recouverts par la poussière.

SÉCURITÉ ENVIRONNEMENTALE

1. Poncez la peinture en essayant de minimiser la quantité de poussière produite.
2. Les endroits où la peinture est enlevée devraient être entourés de larges feuilles de plastique d'une épaisseur minimum de 4 mils.
3. Pendant le ponçage essayez d'éviter de traîner la poussière de peinture hors de la zone de travail.

NETTOYAGE ET MISE AU REBUT

1. Passez l'aspirateur et nettoyez quotidiennement les surfaces de travail pendant toute la durée du projet de ponçage. Changez fréquemment le filtre et le sac de l'aspirateur.
2. Réunissez et mettez au rebut les feuilles de plastique, particules de poussière et tout autre débris. Placez-les dans un réceptacle scellé et mettez-les au rebut en suivant la procédure habituelle. Maintenez les enfants et femmes enceintes hors de la zone immédiate de travail pendant le nettoyage.
3. Lavez abondamment avant toute réutilisation jouets, meubles lessivables et objets utilisés par les enfants.

ASSEMBLAGE

Remplacement de la courroie ponceuse

⚠ AVERTISSEMENT : ASSUREZ-VOUS QUE LA PONCEUSE EST ARRÊTÉE ET DÉBRANCHÉE DU SECTEUR LORSQUE VOUS EN CHANGEZ LA COURROIE. AVANT DE REBRANCHER L'OUTIL, APPUYEZ PUIS RELÂCHEZ LA GÂCHETTE POUR VOUS ASSURER QUE L'OUTIL EST BIEN ARRÊTÉ.

POUR REMPLACER LA COURROIE (FIG. 2)

1. Faites tourner le levier de dégagement de la courroie (A) vers le haut jusqu'à ce que la roue supérieure de la ponceuse se rétracte pour détendre la courroie abrasive.
2. Posez la ponceuse sur son côté pour mettre en évidence ses trois roues.
3. Retirez la courroie usagée.

POUR INSTALLER UNE COURROIE

1. Fixez la courroie neuve sur les roues. Les flèches imprimées à l'intérieur de la courroie doivent pointer dans le sens de rotation des roues. Orientez la courroie dans le sens de rotation des roues. Assurez-vous que la courroie ne couvre pas la bride d'alignement (B) située sur l'intérieur du sommet de la roue avant (Fig.3).
2. Faites tourner le levier de dégagement de la courroie (A) vers le bas pour retendre la courroie.

REMARQUE : Certaines courroies sont multi-directionnelles et ne comportent pas de flèches. La direction de rotation est aussi indiquée sur le boîtier du balai (C - Fig. 1).

MOTEUR

Votre outil DEWALT est équipé d'un moteur d'usine DEWALT. Assurez-vous que votre source d'alimentation correspond à celle sur la plaque signalétique. Un voltage de 50/60 Hz ou "AC seulement" indique que votre outil doit fonctionner seulement sur courant alternatif et jamais sur courant continu. Une baisse de plus de 10% du voltage causera chute de tension et surchauffe. Tous les outils DEWALT sont testés d'usine, si cet outil ne fonctionne pas correctement, vérifiez la source d'alimentation.

UTILISATION

Utilisation des interrupteurs

Pour démarrer la ponceuse, appuyez sur la gâchette (D). Laissez la ponceuse à courroie prendre sa pleine vitesse avant de toucher la surface de travail.

Pour ralentir ou arrêter la ponceuse, relâchez la gâchette.

Pour un fonctionnement continu, poussez le bouton de verrouillage (E) alors que vous appuyez sur la gâchette et que la ponceuse est en marche (Fig. 2).

Pour arrêter le fonctionnement continu, appuyez sur la gâchette qui dégagera le verrouillage.

⚠ AVERTISSEMENT : ASSUREZ VOUS QUE LE BOUTON DE VERROUILLAGE N'EST PAS FONCTIONNEL EN L'ACTIVANT PLUSIEURS FOIS OU EN APPUYANT PLUSIEURS FOIS SUR LA GÂCHETTE AVANT DE BRANCHER VOTRE PONCEUSE À COURROIE. VOUS PRÉVIENDREZ AINSI TOUT RISQUE DE DOMMAGES CORPOREL OU D'ENDOMMAGER VOTRE OUTIL.

Vitesse variable (DW433 SEULEMENT)

Le bouton de réglage de la vitesse, situé sur le dos de la poignée arrière, fait passer la vitesse de la ponceuse d'environ 850 pieds carré par minute à la vitesse n°1 (ponçage léger avec papier à grain fin) à environ 850 pieds carré par minute à la vitesse n°6 (ponçage plus agressif avec papier à gros grain). Les vitesses lentes préviennent une usure excessive et le surchauffement des courroies pendant le ponçage de la peinture.

Poignée avant

La poignée avant peut prendre deux positions : position supérieure et position antérieure. L'appareil est réglé d'usine avec la poignée installée dans la position supérieure (F - Fig. 1).

POUR CHANGER LA POSITION DE LA POIGNÉE

1. Dévissez le vis situé au centre de la poignée avec un tournevis à étoile.
2. Fixez la poignée dans l'orifice fileté à l'avant (G) ou sur le dessus (F) de l'appareil.
3. Resserrez le vis.

REMARQUE : La poignée doit être correctement positionnée sur sa surface de fixation avant de resserrer le vis.

Alignement de la courroie

Votre ponceuse à courroie est équipée d'un système automatique d'alignement qui maintient la courroie en place dans son logement lorsque la ponceuse fonctionne. Ce système automatique d'alignement prévient tout dommage au boîtier de la ponceuse et toute destruction de la courroie.

POUR ALIGNER CORRECTEMENT LA COURROIE (FIG. 2)

1. Maintenez fermement la poignée arrière (H) de l'appareil, et tournez la ponceuse de façon à faire face à la courroie.
2. Appuyez sur la gâchette (D) pour faire tourner la courroie.
3. Tournez le bouton d'alignement (1) dans le sens inverse des aiguilles d'une montre pour faire bouger la courroie vers le boîtier. Tournez le bouton dans le sens des aiguilles d'une montre pour l'éloigner du boîtier.

REMARQUE : La courroie devrait s'aligner parfaitement avec le bord de la plaque d'appui (J) lorsque la ponceuse fonctionne (Fig. 4).

4. Relâchez la gâchette et assurez-vous que la courroie s'immobilise complètement avant de poser l'appareil.

Position correcte des mains

Pour poncer en toute sécurité utilisez vos deux mains. L'une des mains agrippe la poignée arrière de l'appareil alors que l'autre agrippe celle de l'avant (Figure 4).

Collecteur de poussière

⚠ AVERTISSEMENT : Arrêtez et débranchez la ponceuse avant de faire tout réglage ou changement d'accessoires. Avant de rebrancher l'appareil, appuyez puis relâchez la gâchette pour vous assurer que l'outil est bien arrêté.

POUR ATTACHER LE COLLECTEUR DE POUSSIÈRE (FIG. 5)

1. Tirez vers le haut le collier de verrouillage d'évacuation de la poussière (K).
2. Insérez le tuyau d'évacuation caoutchouté dans le collier. Assurez-vous que les rainures du collier s'encastrent sur le filetage (L) du tuyau d'éjection.
3. Poussez le collecteur de poussière sur le fond du sac jusqu'à ce que le tuyau d'éjection s'enclenche dans le collier d'évacuation et le verrouillage sur le couvercle de la courroie (M).
4. Rabattez le collier d'évacuation de la poussière pour le verrouiller sur le collecteur de poussière.

POUR VIDER LE COLLECTEUR DE POUSSIÈRE

1. Tirez sur le collier de verrouillage d'évacuation de la poussière.
2. Retirez le collecteur de poussière, le tuyau d'éjection caoutchouté de l'appareil.
3. Une fois le collecteur de poussière déconnecté de l'appareil, relâchez le joint de verrouillage de poussière (N) sur le côté interne du collecteur (Fig. 6).
4. Pressez sur le tuyau d'évacuation de la poussière comme indiqué (O) pour dégager le collecteur.
5. Tirez vers le haut sur le sac à poussière pour le dégager de l'évacuation.
6. Faites glisser le collecteur de poussière hors du tuyau d'éjection caoutchouté.

7. Secouez le sac et le tuyau d'éjection au-dessus d'une poubelle, en tapotant le sac contre la poubelle pour en dégager toute accumulation de particules de poussière.
8. Une fois le collecteur de poussière vide, réattachez-le au tuyau d'éjection puis à la ponceuse.

SOUPE DE SÉCURITÉ DU COLLECTEUR DE POUSSIÈRE (FIG. 2)

Lorsque vous manquez d'espace de travail pour poncer, le collecteur de poussière peut être retiré.

⚠ MISE EN GARDE : Sans le collecteur de poussière, le flot de poussière sera rejeté par l'orifice d'éjection sur l'utilisateur à moins que la soupape de sécurité soit fermée.

Pour fermer la soupape de sécurité, poussez le levier (P) vers l'avant. Cela fermera l'orifice d'éjection.

Pour ouvrir la soupape de sécurité, poussez le levier (P) vers l'arrière. Cela permettra à la poussière de s'échapper.

ACCESSOIRES

Deux accessoires sont disponibles avec les ponceuses à courroie DEWALT, DW432, DW433, et vendus séparément chez votre centre de service local. Ils sont les DW4050 - Adaptateur du tube d'aspiration et les DW4055 - Cadre intégré de ponçage et support d'inversion.

⚠ MISE EN GARDE : L'utilisation avec cet outil de tout accessoire non recommandé augmente les risques de dommages corporels.

Pour toute information concernant ces accessoires, veuillez contacter DEWALT Industrial Tool Co., 701 East Joppa Road, Baltimore, MD 21286 ou appeler le 1 800 4-DEWALT (1 800 433-9258).

Adaptateur du tube d'aspiration - DW4050

(Vendu séparément)

Votre ponceuse à courroie peut être rattachée à un tuyau d'aspirateur d'atelier de 1-1/4 po pour récupérer la poussière.

POUR ATTACHER L'ADAPTATEUR DU TUBE D'ASPIRATION À LA PONCEUSE

1. Tirez le loquet de verrouillage vers le haut (N - Fig. 6) puis retirez le tuyau d'évacuation et le sac à poussière de la ponceuse.
2. Insérez l'adaptateur du tube d'aspiration (Fig. 7) dans l'orifice d'éjection de la poussière et reverrouillez le loquet pour rattacher l'adaptateur à la ponceuse.
3. Connectez l'aspirateur à l'adaptateur.

⚠ AVERTISSEMENT : L'utilisation du tuyau d'aspirateur et de l'adaptateur avec la ponceuse pose des risques d'électricité statique qui pourraient vous faire sursauter.

ENTRETIEN

⚠ AVERTISSEMENT : Arrêtez et débranchez la ponceuse avant de faire tout réglage ou changement d'accessoires. Avant de rebrancher l'appareil, appuyez puis relâchez la gâchette pour vous assurer que l'outil est bien arrêté.

Les brosses de votre ponceuse peuvent avoir besoin d'être changées au cours de la durée de vie de votre outil. Contactez le centre de service autorisé DEWALT le plus proche pour obtenir des brosses de rechange.

POUR RETIRER LES BROSSES

1. Retirez le couvercle des brosses (C) à l'aide d'un tournevis plat ou une mèche T20 Torx (Fig. 1).
2. Retirez les brosses.

Le bouchon sous la plaque d'appui de votre ponceuse peut aussi avoir besoin d'être changé au cours de la durée de vie de votre outil. Bouchon et plaque sont disponibles chez votre centre de service DEWALT.

POUR CHANGER LE BOUCHON ET LA PLAQUE D'APPUI DE VOTRE PONCEUSE

1. Retirez la courroie de la ponceuse comme décrit dans la section Assemblage.
2. Utilisez une clé M3 hex pour enlever le bouchon et la plaque existante à l'arrière de l'appareil.
3. Connectez la plaque et le bouchon neufs sur votre ponceuse et mettez les anciens au rebut.
4. Installez une courroie de ponceuse comme décrit dans la section Assemblage.

Nettoyage et lubrification

Nettoyez l'outil à l'aide d'un savon doux et un chiffon humide.

⚠ MISE EN GARDE : Ne laissez aucun liquide pénétrer dans l'outil ; ne jamais immerger aucune partie de l'outil dans un liquide.

⚠ MISE EN GARDE : N'utilisez aucun solvant ou tout autre produit similaire pour nettoyer les parties non métalliques de l'outil. Les engrenages hélicoïdaux avec coussinets à billes et à galets sont auto-lubrifiés et toute relubrification est inutile.

Il est cependant recommandé de ramener une fois par an votre outil chez un centre de service certifié DEWALT pour nettoyage complet, inspection et lubrification du carter d'engrenages.

Réparations

Pour assurer la SÉCURITÉ et la FIABILITÉ du produit, les réparations, l'entretien et les réglages (y compris l'inspection et le remplacement de la brosse) doivent être réalisés par un centre de réparation en usine DEWALT, un centre de réparation autorisé DEWALT ou par un personnel de réparation professionnel. Toujours utiliser des pièces de rechange identiques.

Garantie limitée de trois ans

DEWALT réparera, sans frais, tout produit défectueux causé par un défaut de matériel ou de fabrication pour une période de trois ans à compter de la date d'achat. La présente garantie ne couvre pas les pièces dont la défectuosité a été causée par une usure normale ou l'usage abusif de l'outil. Pour obtenir de plus amples renseignements sur les pièces ou les réparations couvertes par la présente garantie, visiter le site www.dewalt.com ou composer le 1 800 433-9258 (1 800 4-DEWALT). Cette garantie ne s'applique pas aux accessoires et ne vise pas les dommages causés par des réparations effectuées par un tiers. Cette garantie confère des droits légaux particuliers à l'acheteur, mais celui-ci pourrait aussi bénéficier d'autres droits variant d'un état ou d'une province à l'autre.

En plus de la présente garantie, les outils DEWALT sont couverts par notre :

CONTRAT D'ENTRETIEN GRATUIT D'UN AN

DEWALT entretiendra l'outil et remplacera les pièces usées au cours d'une utilisation normale et ce, gratuitement, pendant une période d'un an à compter de la date d'achat, et la

GARANTIE DE REMBOURSEMENT DE 90 JOURS

Si l'acheteur n'est pas entièrement satisfait, pour quelque raison que ce soit, du rendement de l'outil électrique, du laser ou de la cloueuse DEWALT, celui-ci peut le retourner, accompagné d'un reçu, dans les 90 jours à compter de la date d'achat, pour obtenir un remboursement intégral, sans aucun problème.

AMÉRIQUE LATINE : Cette garantie ne s'applique aux produits vendus en Amérique latine. Pour ceux-ci, veuillez consulter les informations relatives à la garantie spécifique présente dans l'emballage, appeler l'entreprise locale ou consulter le site Web pour les informations relatives à cette garantie.

REMPLACEMENT GRATUIT DE L'ÉTIQUETTE D'AVERTISSEMENT : En cas de perte ou d'endommagement des étiquettes d'avertissement, composer le 1 800 4-DEWALT afin d'en obtenir de nouvelles sans frais.



GUARDE ESTAS INSTRUCCIONES

⚠ ¡ADVERTENCIA! Lea y entienda todo el instructivo, incluyendo los que vienen junto con los aditamentos y accesorios. El no seguir todas las instrucciones enumeradas a continuación puede resultar en electrochoque, incendio y/o lesión personal grave.

INSTRUCCIONES GENERALES DE SEGURIDAD

ÁREA DE TRABAJO

- **Mantenga su área de trabajo limpio y bien iluminado.** Bancos de trabajo abarrotados de cosas y áreas oscuras son una invitación a los accidentes.
- **No opere herramientas eléctricas en atmósferas explosivas, donde hay presencia de líquidos, gases, o polvos inflamables.** Las herramientas eléctricas crean chispas que podrían encender el polvo o los gases.
- **Mantenga a los transeúntes, niños, y visitantes alejados mientras opera una herramienta eléctrica.** Las distracciones podrían causar la pérdida de control.

SEGURIDAD ELÉCTRICA

- **Las herramientas a tierra deberán conectarse a un tomacorriente instalado correctamente y puesto a tierra de acuerdo con todos los códigos y ordenanzas. Nunca debe quitar el clavijero de tierra o modificar el enchufe de algún modo. No usar enchufes adaptadores.** Infórmese con un electricista competente si duda que el tomacorriente esté adecuadamente puesto a tierra. Si las herramientas funcionan mal eléctricamente, o fallan, la puesta a tierra provee una vía de resistencia baja que aparta del usuario la electricidad extraída. Sólo aplica a la Clase I herramientas (a tierra).
- **Las herramientas con doble aislamiento están equipadas con un enchufe polarizado (una clavija es más ancha que la otra.) Este enchufe encajará en un tomacorriente polarizado de una sola manera. Si el enchufe no encaja bien en el tomacorriente, invierta el enchufe. Si todavía no encaja, contacte a un electricista competente para que instale un tomacorriente polarizado. No cambie el enchufe.** El aislamiento doble ☐ elimina la necesidad de un cable eléctrico a tierra de tres alambres y un sistema de alimentación eléctrica puesto a tierra. Sólo aplica a la Clase II herramientas (aislamiento doble).
- **Evite que su cuerpo haga contacto con superficies a tierra tales como tuberías, radiadores, cocinas, y refrigeradoras.** Existe un mayor riesgo de electrochoque si su cuerpo está a tierra
- **No exponga las herramientas eléctricas a la lluvia o condiciones húmedas.** La penetración de agua a una herramienta eléctrica incrementará el riesgo de electrochoque.
- **No maltrate el cable. No lo use nunca para acarrear las herramientas o halar el enchufe de un tomacorriente. Mantenga el cable alejado del calor, aceite, bordes afilados o partes en movimiento. Reemplace inmediatamente los cables dañados.** Los cables dañados incrementan el riesgo de electrochoque.
- **Al operar una herramienta eléctrica a la intemperie, use un cable de extensión para exteriores marcado “W-A” o “W.”** Estos cables están hechos para uso exterior y reducen el riesgo de electrochoque.

CALIBRE MÍNIMO PARA CABLES DE ALIMENTACIÓN

Volts	Longitud total del cordón en metros			
120V	0-7,6	7,6-15,2	15,2-30,4	30,4-45,7
Amperaje	Calibre del cordón AWG			
Más de	No más de			
12	16	14	12	No recomendado

SEGURIDAD PERSONAL

- **Manténgase alerta, observe lo que está haciendo y use sentido común al usar una herramienta eléctrica. No la use cuando esté cansado o bajo la influencia de drogas, alcohol, o medicinas.** Un instante de inatención mientras opera herramientas eléctricas puede resultar en serias lesiones personales.
- **Vístase adecuadamente. No use vestimenta suelta o joyas. Mantenga el cabello largo sujeto. Mantenga su cabello, vestimenta y guantes apartados de piezas en movimiento.** La vestimenta suelta, las joyas o el cabello largo podrían quedar atrapados en las partes en movimiento. A menudo las ventosas de aire cubren las partes en movimiento, y éstas también se deben evitar.
- **Evite un arranque accidental. Asegúrese de apagar la herramienta antes de enchufarla.** El cargar las herramientas con el dedo en el interruptor o enchufar herramientas que tienen el interruptor activado es una invitación a los accidentes.
- **Quite las llaves de ajuste antes de activar la herramienta.** Una llave que se deja anexada a una parte giratoria de la herramienta puede resultar en lesión personal.
- **No se extralimite. Mantenga la pisada firme y el balance apropiado todo el tiempo.** El pie bien afincado y el balance apropiado permite un mejor control de la herramienta en situaciones inesperadas.
- **Utilice equipo de seguridad. Use siempre protección para los ojos.** Se deberá usar máscara contra el polvo, calzado protector antirresbalante, casco, o protector de oído en las condiciones que los justifican.

USO Y CUIDADO DE HERRAMIENTAS

- **Utilice tornillos de banco u otra forma práctica para sujetar y apoyar la pieza de trabajo a una plataforma estable.** Sujetar la pieza manualmente o contra su cuerpo es inestable y puede llevar a la pérdida de control.
- **No fuerce la herramienta. Use la herramienta correcta para la aplicación.** La herramienta correcta hará una labor mejor y más segura, con la energía nominal para la cual fue diseñada.
- **No use la herramienta si el interruptor no prende y apaga.** La herramienta que no se puede controlar con el interruptor es peligrosa y debe ser reparada.
- **Desconecte el enchufe de la fuente de energía antes de efectuar cualquier ajuste, cambio de accesorios, o guardar la herramienta.** Estas medidas de seguridad preventivas reducen el riesgo a que la herramienta arranque accidentalmente.
- **Mantenga herramientas que no estén en uso fuera del alcance de los niños y otras personas no entrenadas.** Las herramientas son peligrosas en manos de usuarios no entrenados.
- **Las herramientas deben recibir un mantenimiento cuidadoso. Mantenga las herramientas para corte afiladas y limpias.** Las herramientas bien cuidadas con bordes de corte afilados son menos susceptibles a trabarse y más fáciles de controlar.
- **Revise si hay desalineamiento o traba en las partes móviles, partes rotas u otra condición que pueda afectar la operación de la herramienta.** De estar dañada, dar servicio a la misma antes de utilizarla. Muchas veces la causa de accidentes se debe a herramientas con poco mantenimiento.
- **Use solamente los accesorios que el fabricante recomienda para su modelo.** Los accesorios adecuados para una herramienta, pueden resultar peligrosos cuando se usa en otra.

SERVICIO

- **El servicio a la herramienta debe ser hecho por personal de reparación calificado únicamente.** El servicio o mantenimiento hecho por personal no calificado puede entrañar un riesgo o lesión.
- **Al dar servicio a la herramienta, use sólo piezas de repuesto idénticas. Siga las instrucciones contenidas en la sección Mantenimiento de este manual.** El uso de repuestos no autorizados o el no cumplir con las instrucciones de Mantenimiento puede crear el riesgo de electrochoque o lesión.

REGLAS DE SEGURIDAD ESPECÍFICAS ADICIONALES PARA LIJADORAS DE CORREA

- **Usted debe sujetar la herramienta por las superficies de agarre con aislamiento al ejecutar una operación donde la herramienta para corte pueda hacer contacto con el cableado oculto o el cable de la misma.** El contacto con un cable con corriente hará que las partes expuestas de la herramienta que sean de metal, tengan corriente y proporcionen un electrochoque al operador.
- **No lije metales de ningún tipo con su lijadora de correa.** El lijado de tornillos, clavos u otros metales podría generar chispas que encenderían las partículas de polvo.
- **No efectúe un lijado al agua con esta lijadora.** Los líquidos pueden entrar a la envoltura del motor y causar electrochoque.
- **Vacíe la bolsa para polvos frecuentemente.** Especialmente al lijar superficies revestidas con resinas tales como poliuretano, barniz, goma laca, etc. La acumulación de estas finas partículas de polvos del lijado pueden encenderse y causar incendio.

• **No opere esta herramienta durante períodos largos de tiempo.** La vibración causada por la acción de operación de la herramienta puede causar lesiones permanentes a sus dedos, manos y brazos. Use guantes para un mejor amortiguamiento, descanse con frecuencia y limite el tiempo diario de uso.

• **Limpe su herramienta a menudo, especialmente después de usarla profusamente.** El polvo y la arenilla que contienen partículas de metal se acumulan a menudo en las superficies internas y podrían crear un riesgo de lesión grave, electrochoque o electrocución. USE SIEMPRE GAFAS PROTECTORAS.

⚠ PRECAUCIÓN: Use protección auditiva apropiada y personal mientras usa la lijadora. Bajo ciertas condiciones y duración de operación, el ruido proveniente de este producto puede contribuir a la pérdida auditiva.

⚠ ADVERTENCIA: Ciertos polvos creados por el lijado, aserrado, trituración, taladrado y otras actividades de construcción contienen químicos causantes de cáncer, defectos de nacimiento u otros daños en la reproducción. Algunos ejemplos de estos químicos son:

- el plomo de las pinturas a base de plomo,
- la sílice cristalina de los ladrillos y cemento y otros productos de albañilería, y
- el arsénico y el cromo de las maderas tratadas con químicos (CCA).

El riesgo a la exposición varía, dependiendo de cuán a menudo usted ejecuta este tipo de trabajo. Para reducir la exposición a estos químicos: trabaje en un área bien ventilada y hágalo con equipos de seguridad aprobados, tales como las máscaras de polvo que están especialmente diseñadas para filtrar las partículas microscópicas.

• **Evite el contacto prolongado con el polvo proveniente del lijado, aserrado, amolado y taladrado eléctrico, así como otras actividades de construcción. Use vestimenta protectora y lave las áreas expuestas con agua y jabón.** Si el polvo penetra en su boca, ojos, o si permanece sobre su piel, podría promover la absorción de químicos dañinos.

⚠ PRECAUCIÓN: El uso de esta herramienta puede generar y/o dispersar polvo, lo cual puede ocasionar lesión respiratoria u otra lesión grave y permanente. Siempre utilice protección respiratoria aprobada NIOSH/OSHA apropiada para la exposición al polvo. Dirija las partículas lejos de la cara y el cuerpo.

• La etiqueta puesta en su herramienta podría incluir los símbolos siguientes. Los símbolos y sus definiciones son como siguen.

V.....	voltsios	A	amperios
Hz.....	hertzios	W.....	vatios
min	minutos	~	corriente alterna
====	corriente continua	n _o	velocidad en vacío
☐	construcción de Clase II	.../min	revoluciones por minuto
⊕	terminal de conexión	⚠	símbolo de alerta de seguridad

Precauciones que debe tomarse al lijar pintura

1. NO SE RECOMIENDA lijar las pinturas a base de plomo debido a la dificultad para controlar el polvo contaminado. El mayor peligro de envenenamiento por plomo recae sobre los niños y las mujeres embarazadas.
2. Debido a que es difícil identificar si una pintura contiene plomo sin hacerle un análisis químico, recomendamos tomar las siguientes precauciones a la hora de lijar sobre pintura:

SEGURIDAD PERSONAL

1. No dejar que niños o mujeres embarazadas entren al área de trabajo donde se está lijando pintura hasta que se haya limpiado todo por completo.
2. Toda persona que entre en el área de trabajo debe portar una máscara para el polvo o respirador. El filtro debe reemplazarse a diario o cada vez que el portador de la máscara tiene dificultad en respirar. Diríjase a su proveedor de ferretería local para obtener la máscara adecuada (aprobada por NIOSH).
3. A fin de prevenir la ingestión de partículas de pintura contaminada se debe evitar el COMER, BEBER, O FUMAR en el área de trabajo. Los trabajadores deberán lavarse y limpiar el área ANTES de comer, beber o fumar. No dejar en el área de trabajo los comestibles, bebidas o artículos de fumar ya que el polvo se deposita sobre ellos.

SEGURIDAD AMBIENTAL

1. Quitar la pintura de forma tal que el polvo que se genera sea el mínimo posible.
2. Las áreas donde se quita la pintura deben ser selladas con láminas plásticas de 4 mm de espesor.
3. El lijado debe hacerse de forma tal que la cantidad de polvo de pintura que se arrastra fuera del área de trabajo sea la más reducida posible.

LIMPIEZA Y ELIMINACIÓN

1. Mientras dure el proyecto de lijado, aspirar y limpiar a fondo diariamente todas las superficies del área de trabajo. Cambiar las bolsas de filtro de aspiradora con frecuencia.
2. Recoger y desechar los paños de plástico para herramientas junto con la remoción de polvo, astillas u otros escombros. Poner en recipientes de basura sellados y desecharse mediante el procedimiento habitual de recolección de basura. Durante la limpieza, mantener a los niños y mujeres embarazadas alejados de la zona de trabajo inmediata.
3. Los juguetes, muebles lavables y utensilios utilizados por los niños deben lavarse a fondo antes de utilizarlos de nuevo.

MONTAJE

Cambio de la correa lijadora

⚠ ADVERTENCIA: ASEGÚRESE QUE LA LIJADORA ESTÁ APAGADA Y DESCONECTADA DEL TOMACORRIENTE AL CAMBIAR LA CORREA. ANTES DE RECONECTAR LA HERRAMIENTA, OPRIMA Y SUELTE EL INTERRUPTOR DE DISPARO PARA ASEGURARSE QUE LA HERRAMIENTA ESTÁ APAGADA.

PARA QUITAR LA CORREA (FIG. 2)

1. Gire la palanca de liberación de correa (A) hacia arriba hasta que la rueda superior frontal de la correa se retracte y libere la tensión sobre la correa abrasiva
2. Ponga la lijadora sobre su costado a fin de que sus tres ruedas queden visibles.
3. Quite la correa desgastada.

PARA INSTALAR LA CORREA LIJADORA

1. Deslice una nueva correa alrededor de las ruedas. Las flechas impresas en la parte interna de la correa apuntan en la dirección que giran las ruedas. Oriente la correa en la dirección de rotación de las ruedas. Asegúrese que la correa no sobrepase el borde del reglaje (B) ubicado en la parte interna de la rueda superior delantera como lo ilustra la Figura 3.
2. Gire la palanca de liberación de la correa (A) hacia abajo para que vuelva a su posición y tense la correa.

NOTA: Algunas correas lijadoras son multi-direccionales y no tienen flechas. La dirección de la rotación también se indica en la tapa de los cepillos (C) de la Figura 1.

MOTOR

Su herramienta DEWALT está accionada por un motor construido por DEWALT. Asegúrese que su suministro de energía concuerda con la energía nominal en la placa de datos. Voltios, 50/60 Hz o “sólo AC ” significa que su herramienta debe operar solamente con corriente alterna y nunca con corriente directa. Un descenso de más del 10% en el voltaje ocasionará pérdida de energía y recalentamiento. Todas las herramientas DEWALT vienen probados en fábrica, y si este herramienta no funciona, verifique el suministro de energía.

OPERACIÓN

Operación del interruptor

Para poner en marcha la lijadora de correa, oprima el interruptor de disparo (D). Deje que la lijadora alcance su velocidad de operación antes de tocar la superficie a trabajar.

Para disminuir la velocidad o parar la lijadora, libere el interruptor de disparo.

Para operación continua, oprima el botón de accionamiento para este fin hacia adentro (E) mientras tiene el interruptor de disparo oprimido y la lijadora está funcionando (Fig. 2).

Para liberar la lijadora del funcionamiento continuo, apriete el interruptor de disparo y el cierre se desbloqueará.

⚠ ADVERTENCIA: ¡ASEGÚRESE DE QUE EL BOTÓN DE FUNCIONAMIENTO CONTINUO NO ESTÁ OPRIMIDO CICLANDO EL INTERRUPTOR VARIAS VECES O OPRIMIENDO Y SOLTÁNDOLO VARIAS VECES ANTES DE ENCHUFAR SU LIJADORA! PODRÍA RESULTAR EN DAÑO A SU HERRAMIENTA O LESIÓN PERSONAL.

Velocidad variable (DW433 ÚNICAMENTE)

El cuadrante del control de velocidad, ubicado en la parte de atrás del mango posterior mueve la velocidad de la correa lijadora desde aproximadamente 850 pies de superficie por minuto en la velocidad # 1 (lijado ligero; lijado de arenilla fina) hasta aproximadamente 1400 pies de superficie por minuto en la velocidad # 6 (lijado más agresivo; correas lijadoras más rugosas). La baja velocidad también previene el excesivo desgaste y recalentamiento cuando se está quitando la pintura con la lijadora.

Mango delantero

El mango delantero tiene dos posiciones: superior y delantera. La unidad viene con el mango instalado en la posición superior (F) según se ilustra en la Figura 1.

PARA POSICIONAR EL MANGO

1. Afloje el tornillo del centro del mango con un destornillador Phillips.
2. Adjunte el mango al hueco roscado ubicado en la parte frontal (G) o superior (F) de la unidad.
3. Apriete el tornillo.

NOTA: El mango debe estar correctamente asentado sobre la superficie de montaje antes de apretar el tornillo.

Reglaje de la correa

La lijadora de correa viene equipada con un sistema de reglaje automático que previene que la correa se desplace hacia el interior de la envoltura mientras la lijadora está funcionando. El sistema automático de reglaje evita que se dañe la envoltura de la lijadora y la destrucción de la correa.

PARA REGLAR LA CORREA LIJADORA CORRECTAMENTE (FIG. 2)

1. Agarre firmemente el mango posterior (H) de la unidad y voltee la lijadora de manera que la correa quede orientada hacia el operador.
2. Oprima el interruptor de disparo (D) para comenzar la rotación de la correa.
3. Gire la perilla de reglaje (I) en sentido antihorario para mover la correa hacia la envoltura. Gire la perilla en sentido horario para alejarla de la envoltura.

NOTA: La correa deberá estar alineada con el borde a nivel de la platina (J) mientras la lijadora está en operación (Fig. 4).

4. Suelte el interruptor de disparo y asegúrese de que la correa se haya detenido por completo antes de colocar la unidad sobre alguna superficie.

Posición correcta de la mano

Un lijado de correa seguro es una operación a dos manos. Una se usa para agarrar el mango posterior de la unidad y la otra se usa para asir el mango delantero según se ilustra en la Figura 4.

Sistema de recolección de polvo

⚠ ADVERTENCIA: *Apague y desconecte la lijadora antes de hacer cualquier ajuste o quitar o instalar accesorios. Antes de reconectar la herramienta, oprima y suelte el interruptor de disparo para asegurarse de que la herramienta está apagada.*

PARA UNIR EL COLECTOR DE POLVO A LA LIJADORA (FIG. 5)

1. Tire del collar inmovilizador del conducto de polvo hacia arriba (K).
2. Inserte el conducto de goma de eyección de polvo en el collar. Asegúrese de que las ranuras del collar están alineadas con los nuditos (L) del conducto de eyección.
3. Empuje el colector de polvo desde la parte de atrás de la bolsa hasta que el conducto de eyección encaja con el collar del conducto del polvo y luego encaje con la cubierta de la correa (M).
4. Empuje el collar inmovilizador del conducto de polvo hacia abajo para afianzar la unión del colector de polvo a la unidad.

PARA VACIAR EL COLECTOR DE POLVO

1. Tire del collar inmovilizador del conducto de polvo hacia arriba.
2. Quite el colector de polvo, el conducto de goma para la eyección y el colector de polvo de la unidad juntos.
3. Una vez que el colector de polvo se haya desconectado de la unidad, libere el cerrojo sellador de polvo (N) ubicado por debajo del colector (Fig. 6).
4. Apriete el conducto de polvo en los espacios indicados (O) para liberar el colector.
5. Tire de la bolsa de polvo hacia arriba para liberarla del conducto.
6. Deslice el colector de polvo hasta salirse del conducto de goma para la eyección de polvo.
7. Agite la bolsa y el conducto de eyección sobre un recipiente de basura, golpeando la bolsa ligeramente contra el recipiente para que se suelten las partículas de polvo compactados.
8. Después de vaciar el colector, vuelva a conectarlo al conducto de eyección y luego a la lijadora.

VÁLVULA DE CIERRE DEL COLECTOR DE POLVO (FIG. 2)

Cuando se tiene que lijar en espacios muy reducidos, el colector de polvo se puede quitar.

⚠ PRECAUCIÓN: *Con el colector quitado, la corriente de polvo soplará a través del orificio de escape y hacia el operador, a menos que la válvula del colector de polvo esté cerrada.*

Para cerrar la válvula del colector de polvo, empuje la palanca (P) hacia adelante. Esto evitará que el polvo fluya del orificio de escape.

Para abrir la válvula del colector de polvo, tire la palanca (P) hacia atrás. Esto permitirá que el polvo salga por el orificio de escape.

ACCESORIOS

Su centro de servicio más cercano ofrece dos accesorios para las lijadoras de correa DeWALT, nominadas DW432 y DW433, y a un costo extra. Son los DW4050 - Adaptador de aspiradora y los DW4055 - Marco de lijado integrado o base de inversión.

⚠ PRECAUCIÓN: *El uso de cualquier accesorio no recomendado con esta herramienta puede ser peligroso.*

De necesitar asistencia para obtener un accesorio, favor ponerse en contacto con DeWALT Industrial Tool Co., 701 East Joppa Road, Baltimore, MD 21286 o llamar al 1-800-4-DeWALT (1-800-433-9258).

Adaptador de aspiradora – DW4050

(Venta por separado)

Su lijadora puede acoplarse a la manguera de una aspiradora de taller de 1-1/4" para coleccionar el polvo.

ACOPLE DEL ADAPTADOR DE ASPIRADORA A LA LIJADORA DE CORREA

1. Tire del cerrojo sellador de polvo (N), según lo ilustra la Figura 6, y quite el conducto y la bolsa de polvo de la lijadora.
2. Inserte el adaptador de aspiradora (Fig. 7) en la apertura de eyección de polvo y empuje el cerrojo hasta que cierre, afianzando la unión del adaptador con la lijadora.
3. Acople la aspiradora al adaptador.

⚠ ADVERTENCIA: *El uso de una manguera y adaptador de aspiradora con la lijadora puede generar electricidad estática que puede tomarse en descarga estática.*

MANTENIMIENTO

⚠ ADVERTENCIA: *Apague y desconecte la lijadora antes de hacer algún ajuste o quitar o instalar accesorios. Antes de volver a enchufar la herramienta, oprima y suelte el interruptor de disparo para asegurarse de que la herramienta está apagada.*

Los cepillos de su lijadora pueden necesitar ser reemplazadas en algún momento durante la vida de la herramienta. Contacte a su centro de servicio autorizado DeWALT más cercano para obtener cepillos adicionales.

PARA QUITAR LOS CEPILLOS

1. Para quitar la tapa de los cepillos (C), use un destornillador de cabeza perdida o una broca Torx T20 (Fig. 1).
2. Quite los cepillos.

El corcho debajo de la platina de su lijadora podría necesitar ser reemplazado en algún momento durante la vida de la herramienta. Puede obtener una platina/corcho nueva en su centro de servicio DeWALT.

PARA INSTALAR UNA PLATINA/CORCHO EN SU LIJADORA DE CORREA

1. Quite la correa de la lijadora como se describe en Montaje.
2. Use una llave M3 hexagonal para sacar la platina/corcho existente ubicada por debajo de la unidad.
3. Instale la nueva platina/corcho en la lijadora y deseche la vieja.
4. Instale una correa lijadora según se describe en Montaje.

Limpieza y lubricación

Utilice solamente jabón suave y agua para limpiar la herramienta. Use un sólo un detergente suave y un paño húmedo para limpiar la herramienta.

⚠ PRECAUCIÓN: *Nunca permita que ningún líquido se introduzca dentro de la misma; nunca sumerja ninguna parte de la herramienta dentro de algún líquido.*

⚠ PRECAUCIÓN: *Nunca use disolventes u otros químicos fuertes para limpiar las partes no metálicas de la herramienta.*

La herramienta usa rodamientos de rodillo y cojinete de bolas autolubrificantes y no requieren relubricación. Sin embargo se recomienda que usted lleve o envíe la herramienta a un centro de servicio certificado DeWALT una vez al año para una limpieza e inspección a fondo, y lubricación de la caja de embragues.

Reparaciones

Para garantizar la SEGURIDAD y la CONFIABILIDAD, deberán hacerse reparaciones, mantenimiento y ajustes de esta herramienta en los centros autorizados de servicio DeWALT u otras organizaciones autorizadas. Estas organizaciones prestan servicio a las herramientas DeWALT y emplean siempre refacciones legítimas DeWALT.

Póliza de Garantía

IDENTIFICACIÓN DEL PRODUCTO:

Sello o firma del Distribuidor.

Nombre del producto: _____ Mod./Cat.: _____

Marca: _____ Núm. de serie: _____

(Datos para ser llenados por el distribuidor)

Fecha de compra y/o entrega del producto: _____

Nombre y domicilio del distribuidor donde se adquirió el producto:

Este producto está garantizado por un año a partir de la fecha de entrega, contra cualquier defecto en su funcionamiento, así como en materiales y mano de obra empleados para su fabricación. Nuestra garantía incluye la reparación o reposición del producto y/o componentes sin cargo alguno para el cliente, incluyendo mano de obra, así como los gastos de transportación razonablemente erogados derivados del cumplimiento de este certificado.

Para hacer efectiva esta garantía deberá presentar su herramienta y esta póliza sellada por el establecimiento comercial donde se adquirió el producto, de no contar con ésta, bastará la factura de compra.

EXCEPCIONES

Esta garantía no será válida en los siguientes casos:

- Cuando el producto se hubiese utilizado en condiciones distintas a las normales;
- Cuando el producto no hubiese sido operado de acuerdo con el instructivo de uso que se acompaña;
- Cuando el producto hubiese sido alterado o reparado por personas distintas a las enlistadas al final de este certificado.

Anexo encontrará una relación de sucursales de servicio de fábrica, centros de servicio autorizados y franquiciados en la República Mexicana, donde podrá hacer efectiva su garantía y adquirir partes, refacciones y accesorios originales.

Garantía limitada por tres años

DeWALT reparará, sin cargo, cualquier falla que surja de defectos en el material o la fabricación del producto, por hasta tres años a contar de la fecha de compra. Esta garantía no cubre fallas de las piezas causadas por su desgaste normal o abuso a la herramienta. Para mayores detalles sobre la cobertura de la garantía e información acerca de reparaciones realizadas bajo garantía, visítenos en www.dewalt.com o dirígame al centro de servicio más cercano. Esta garantía no aplica a accesorios o a daños causados por reparaciones realizadas o intentadas por terceros. Esta garantía le otorga derechos legales específicos, además de los cuales puede tener otros dependiendo del estado o provincia en que se encuentre.

Además de la garantía, las herramientas DeWALT están cubiertas por:

1 AÑO DE SERVICIO GRATUITO

DeWALT mantendrá la herramienta y reemplazará las piezas gastadas por su uso normal, sin cobro, en cualquier momento durante un año a contar de la fecha de compra.

GARANTÍA DE REEMBOLSO DE SU DINERO POR 90 DÍAS

Si no está completamente satisfecho con el desempeño de su máquina herramienta, láser o clavadora DeWALT, cualquiera sea el motivo, podrá devolverlo hasta 90 días de la fecha de compra con su recibo y obtener el reembolso completo de su dinero – sin necesidad de responder a ninguna pregunta.

AMÉRICA LATINA: Esta garantía no se aplica a los productos que se venden en América Latina. Para los productos que se venden en América Latina, debe consultar la información de la garantía específica del país que viene en el empaque, llamar a la compañía local o visitar el sitio Web a fin de obtener esa información.

SUSTITUCIÓN GRATUITA DE LAS ETIQUETAS DE ADVERTENCIA: Si las etiquetas de advertencia se vuelven ilegibles o se pierden, llame al 1-800-4-DeWALT para conseguir gratuitamente otras de repuesto.



PARA REPARACIÓN Y SERVICIO DE SUS HERRAMIENTAS ELÉCTRICAS, FAVOR DE DIRIGIRSE AL CENTRO DE SERVICIO MÁS CERCANO

CULIACAN, SIN Av. Nicolás Bravo #1063 Sur - Col. Industrial Bravo	(667) 7 12 42 11
GUADALAJARA, JAL Av. La Paz #1779 - Col. Americana Sector Juárez	(33) 3825 6978
MEXICO, D.F. Eje Central Lázaro Cárdenas No. 18 Local D, Col. Obrera	(55) 5588 9377
MERIDA, YUC Calle 63 #459-A - Col. Centro	(999) 928 5038
MONTERREY, N.L. Av. Francisco I. Madero No.831 - Col. Centro	(81) 8375 2313
PUEBLA, PUE 17 Norte #205 - Col. Centro	(222) 246 3714
QUERETARO, QRO Av. Madero 139 Pte. - Col. Centro	(442) 214 1660
SAN LUIS POTOSI, SLP Av. Universidad 1525 - Col. San Luis	(444) 814 2383
TORREON, COAH Blvd. Independencia, 96 Pte. - Col. Centro	(871) 716 5265
VERACRUZ, VER Prolongación Díaz Mirón #4280 - Col. Remes	(229) 921 7016
VILLAHERMOSA, TAB Constitución 516-A - Col. Centro	(993) 312 5111

PARA OTRAS LOCALIDADES LLAME AL: (55) 5326 7100

Especificaciones	DW432	DW433	IMPORTADOR: DeWALT S.A. DE C.V. BOSQUES DE CIDROS ACCESO RADIATAS NO. 42 COL. BOSQUES DE LAS LOMAS, 3A. SECCIÓN, CP 05120 DELEGACIÓN CUAJIMALPA, MÉXICO, D.F. TEL. 5 326 7100 R.F.C.: BDE810626-1W7
Tensión de alimentación	120 V AC~	120 V AC~	
Consumo de corriente	8,0 A	8,0 A	
Frecuencia de alimentación	50/60 Hz	50/60 Hz	
Potencia nominal	800 W	800 W	
nº	1400 SFPM	850-1400 SFPM	

Para servicio y ventas consulte
"HERRAMIENTAS ELÉCTRICAS"
en la sección amarilla.

