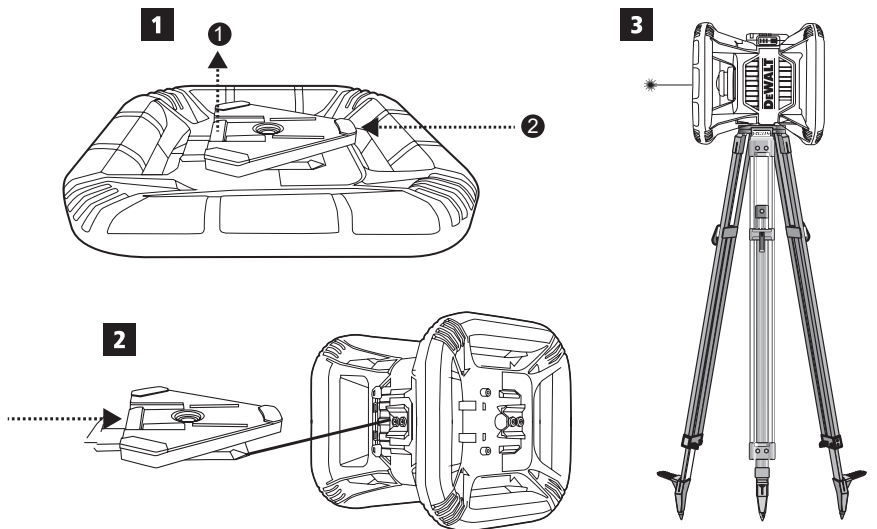
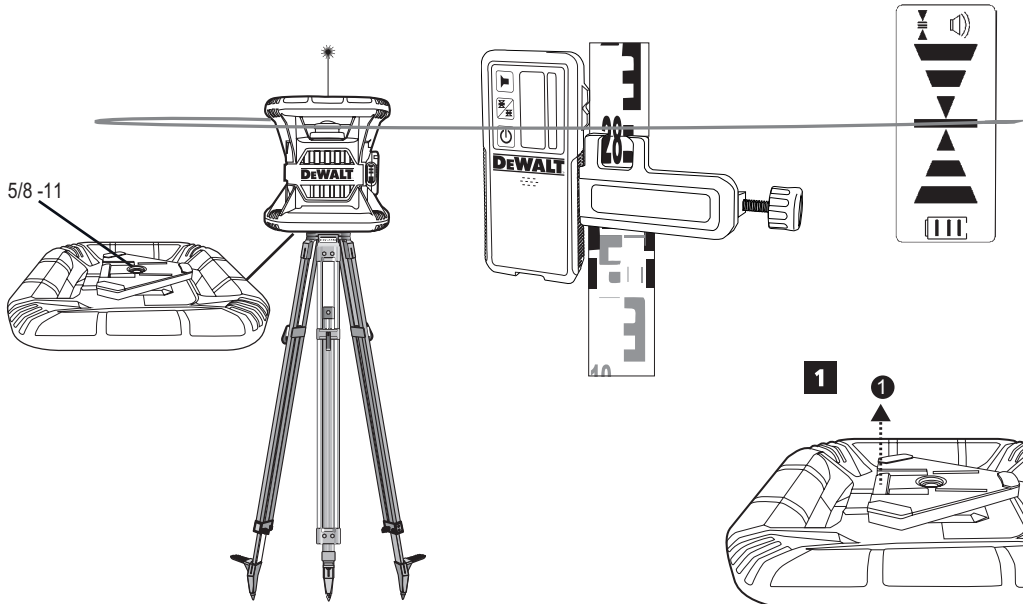
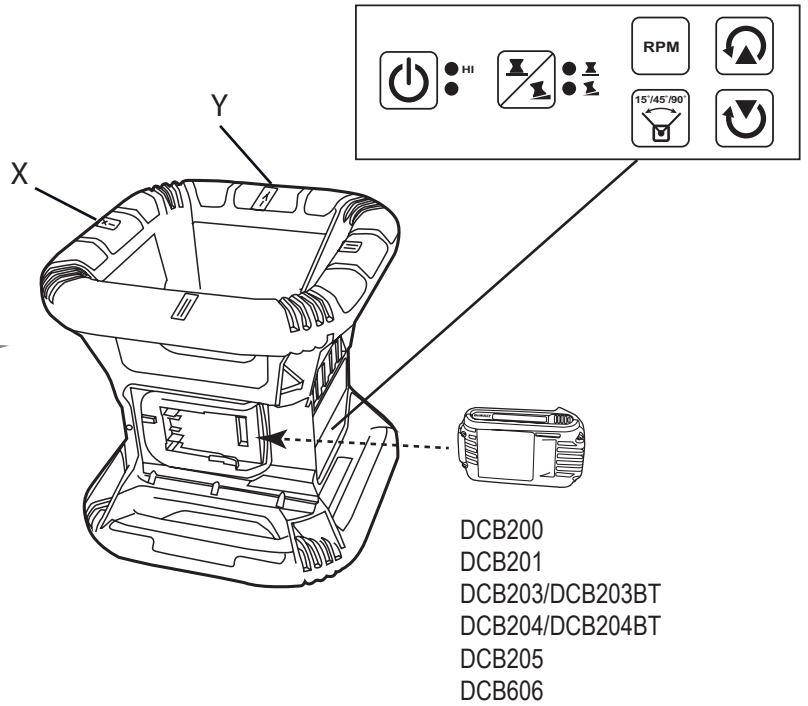
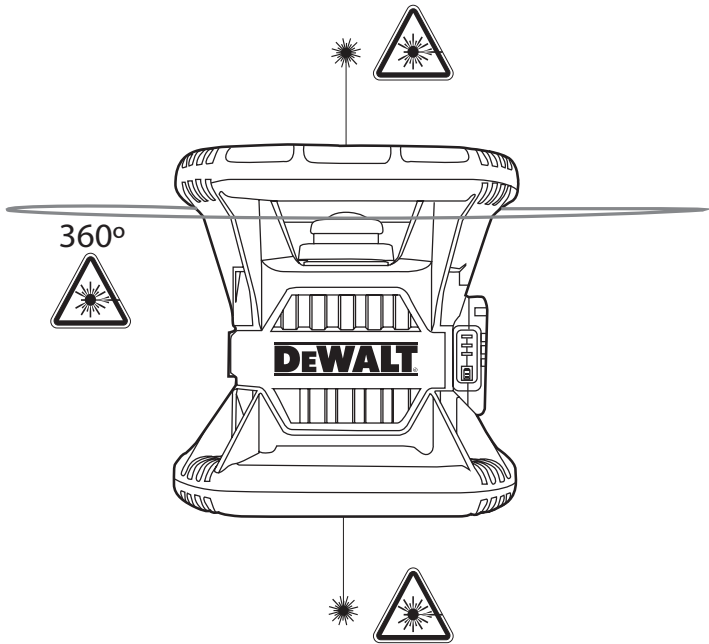


DeWALT

DW074LR



	CAUTION LASER 3R	
≤5.0mW @ 630-680nm IEC 60825-1: 2014		

Complies with 21 CFR 1040.10 and 1040.11 except for deviations pursuant to Laser Notice No. 50, dated June 24, 2007



<http://www.DeWALT.com>

V = 20V DC

© 2016 DeWALT Industrial Tool Co.
701 East Joppa Road
Towson, Maryland 21286
November 2016
P/N N482141

