

DEWALT®



**Instruction Manual
Guide D'utilisation
Manual de instrucciones**

DCW200

20V Max. Brushless Quarter Sheet Sander

Ponceuse pour feuille de 1/4 sans brosse 20 V max.

Lijadora de Hoja de un Cuarto sin Escobillas 20 V Máx.

www.DEWALT.com

**If you have questions or comments, contact us.
Pour toute question ou tout commentaire, nous contacter.
Si tiene dudas o comentarios, contáctenos.**

1-800-4-DEWALT

English (***original instructions***)

1

Français (*traduction de la notice d'instructions originale*)

13

Español (*traducido de las instrucciones originales*)

27

Definitions: Safety Alert Symbols and Words

This instruction manual uses the following safety alert symbols and words to alert you to hazardous situations and your risk of personal injury or property damage.



DANGER: Indicates an imminently hazardous situation which, if not avoided, **will** result in **death or serious injury**.



WARNING: Indicates a potentially hazardous situation which, if not avoided, **could** result in **death or serious injury**.



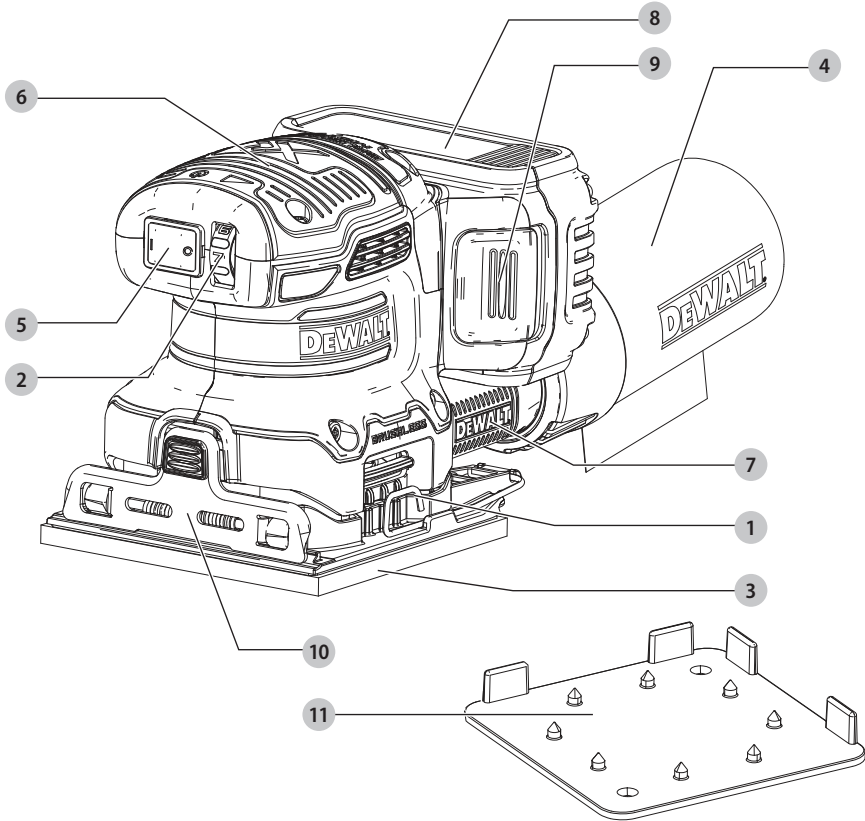
CAUTION: Indicates a potentially hazardous situation which, if not avoided, **may** result in **minor or moderate injury**.



(Used without word) Indicates a safety related message.

NOTICE: Indicates a practice **not related to personal injury** which, if not avoided, **may** result in **property damage**.

Fig. A



- 1 Clamp lever
- 2 Speed control dial
- 3 Sanding pad
- 4 Dust bag
- 5 On/off switch
- 6 Main grip

- 7 Removable dust chute
- 8 Battery
- 9 Battery release button
- 10 Paper clamp
- 11 Paper punch



WARNING: Read all safety warnings and all instructions. Failure to follow the warnings and instructions may result in electric shock, fire and/or serious injury.



WARNING: To reduce the risk of injury, read the instruction manual.

If you have any questions or comments about this or any product, call DEWALT toll free at: (1-800-433-9258).

20V Max. Brushless Quarter Sheet Sander DCW200

GENERAL POWER TOOL SAFETY

WARNINGS



WARNING: Read all safety warnings, instructions, illustrations and specifications provided with this power tool. Failure to follow all instructions listed below may result in electric shock, fire and/or serious injury.

SAVE ALL WARNINGS AND INSTRUCTIONS FOR FUTURE REFERENCE.

The term "power tool" in the warnings refers to your mains-operated (corded) power tool or battery-operated (cordless) power tool.

1) Work Area Safety

- Keep work area clean and well lit.** Cluttered or dark areas invite accidents.
- Do not operate power tools in explosive atmospheres, such as in the presence of flammable liquids, gases or dust.** Power tools create sparks which may ignite the dust or fumes.
- Keep children and bystanders away while operating a power tool.** Distractions can cause you to lose control.

2) Electrical Safety

- Power tool plugs must match the outlet. Never modify the plug in any way. Do not use any adapter plugs with earthed (grounded) power tools.** Unmodified plugs and matching outlets will reduce risk of electric shock.
- Avoid body contact with earthed or grounded surfaces, such as pipes, radiators, ranges and refrigerators.** There is an increased risk of electric shock if your body is earthed or grounded.
- Do not expose power tools to rain or wet conditions.** Water entering a power tool will increase the risk of electric shock.
- Do not abuse the cord. Never use the cord for carrying, pulling or unplugging the power tool. Keep cord away from heat, oil, sharp edges or moving parts.** Damaged or entangled cords increase the risk of electric shock.
- When operating a power tool outdoors, use an extension cord suitable for outdoor use.** Use of a cord suitable for outdoor use reduces the risk of electric shock.
- If operating a power tool in a damp location is unavoidable, use a ground fault circuit interrupter (GFCI) protected supply.** Use of a GFCI reduces the risk of electric shock.

3) Personal Safety

- Stay alert, watch what you are doing and use common sense when operating a power tool. Do not use a power tool while you are tired or under**

the influence of drugs, alcohol or medication. A moment of inattention while operating power tools may result in serious personal injury.

- Use personal protective equipment. Always wear eye protection.** Protective equipment such as a dust mask, non-skid safety shoes, hard hat, or hearing protection used for appropriate conditions will reduce personal injuries.
- Prevent unintentional starting. Ensure the switch is in the off-position before connecting to power source and/or battery pack, picking up or carrying the tool.** Carrying power tools with your finger on the switch or energizing power tools that have the switch on invites accidents.
- Remove any adjusting key or wrench before turning the power tool on.** A wrench or a key left attached to a rotating part of the power tool may result in personal injury.
- Do not overreach. Keep proper footing and balance at all times.** This enables better control of the power tool in unexpected situations.
- Dress properly. Do not wear loose clothing or jewelry. Keep your hair, clothing and gloves away from moving parts.** Loose clothes, jewelry or long hair can be caught in moving parts.
- If devices are provided for the connection of dust extraction and collection facilities, ensure these are connected and properly used.** Use of dust collection can reduce dust-related hazards.
- Do not let familiarity gained from frequent use of tools allow you to become complacent and ignore tool safety principles.** A careless action can cause severe injury within a fraction of a second.

4) Power Tool Use and Care

- Do not force the power tool. Use the correct power tool for your application.** The correct power tool will do the job better and safer at the rate for which it was designed.
- Do not use the power tool if the switch does not turn it on and off.** Any power tool that cannot be controlled with the switch is dangerous and must be repaired.
- Disconnect the plug from the power source and/or remove the battery pack, if detachable, from the power tool before making any adjustments, changing accessories, or storing power tools.** Such preventive safety measures reduce the risk of starting the power tool accidentally.
- Store idle power tools out of the reach of children and do not allow persons unfamiliar with the power tool or these instructions to operate the power tool.** Power tools are dangerous in the hands of untrained users.
- Maintain power tools and accessories. Check for misalignment or binding of moving parts, breakage of parts and any other condition**

that may affect the power tool's operation. If damaged, have the power tool repaired before use. Many accidents are caused by poorly maintained power tools.

- f) **Keep cutting tools sharp and clean.** Properly maintained cutting tools with sharp cutting edges are less likely to bind and are easier to control.
- g) **Use the power tool, accessories and tool bits etc. in accordance with these instructions, taking into account the working conditions and the work to be performed.** Use of the power tool for operations different from those intended could result in a hazardous situation.
- h) **Keep handles and grasping surfaces dry, clean and free from oil and grease.** Slippery handles and grasping surfaces do not allow for safe handling and control of the tool in unexpected situations.

5) Battery Tool Use and Care

- a) **Recharge only with the charger specified by the manufacturer.** A charger that is suitable for one type of battery pack may create a risk of fire when used with another battery pack.
- b) **Use power tools only with specifically designated battery packs.** Use of any other battery packs may create a risk of injury and fire.
- c) **When battery pack is not in use, keep it away from other metal objects, like paper clips, coins, keys, nails, screws or other small metal objects, that can make a connection from one terminal to another.** Shorting the battery terminals together may cause burns or a fire.
- d) **Under abusive conditions, liquid may be ejected from the battery; avoid contact. If contact accidentally occurs, flush with water. If liquid contacts eyes, additionally seek medical help.** Liquid ejected from the battery may cause irritation or burns.
- e) **Do not use a battery pack or tool that is damaged or modified.** Damaged or modified batteries may exhibit unpredictable behavior resulting in fire, explosion or risk of injury.
- f) **Do not expose a battery pack or tool to fire or excessive temperature.** Exposure to fire or temperature above 265 °F (130 °C) may cause explosion.
- g) **Follow all charging instructions and do not charge the battery pack or tool outside the temperature range specified in the instructions.** Charging improperly or at temperatures outside the specified range may damage the battery and increase the risk of fire.

6) Service

- a) **Have your power tool serviced by a qualified repair person using only identical replacement parts.** This will ensure that the safety of the power tool is maintained.
- b) **Never service damaged battery packs.** Service of battery packs should only be performed by the manufacturer or authorized service providers.

Additional Safety Instructions for Sanders

- **Do not sand metal of any kind with your sander.** Sparks may be generated by sanding screws, nails or other metals which may ignite dust particles.
- **Do not wet sand with this sander.** Liquids may enter the motor housing and cause electric shock.
- **Empty dust collection system frequently, especially when sanding resin-coated surfaces such as polyurethane, varnish, shellac, etc.** Dispose of coated dust particles according to the finish manufacturer's guidelines, or place in a metal can with a tight fitting metal lid. Remove coated dust particles from the premises daily. The accumulation of fine sanding dust particles may self-ignite and cause fire.
- **Do not operate this tool for long periods of time.** Vibration caused by the operating action of this tool may cause permanent injury to fingers, hands, and arms. Use gloves to provide extra cushion, take frequent rest periods, and limit daily time of use.
- **Sanding of lead-based paint, chemically pressure treated lumber or other materials that may contain carcinogens is not recommended.** Sanding of these materials should only be performed by a professional.
- **Clean out your tool often, especially after heavy use.** Dust and grit containing metal particles often accumulate on interior surfaces and could create a risk of serious injury, electric shock or electrocution. Always disconnect the sander from the power source before cleaning. Always wear safety glasses that conform to ANSI Z87.1.
- **Always disconnect tool from the power source before changing abrasive sheets.** Such preventive safety measures reduce the risk of starting the power tool accidentally.

Specific Safety Warnings and Instructions: Sanders

Sanding Lead Based Paint

Sanding of lead based paint is NOT RECOMMENDED due to the difficulty of controlling the contaminated dust.

The greatest danger of lead poisoning is to children and pregnant women.

Since it is difficult to identify whether or not a paint contains lead without a chemical analysis, we recommend the following precautions when sanding any paint:

Personal Safety

- No children or pregnant women should enter the work area where the paint sanding is being done until all clean up is completed.
- A dust mask or respirator should be worn by all persons entering the work area. The filter should be replaced daily or whenever the wearer has difficulty breathing.

NOTE: Only those dust masks suitable for working with lead paint dust and fumes should be used. Ordinary painting masks do not offer this protection. See your local hardware dealer for the proper (NIOSH approved) mask.

ENGLISH

- NO EATING, DRINKING or SMOKING should be done in the work area to prevent ingesting contaminated paint particles. Workers should wash and clean up BEFORE eating, drinking or smoking. Articles of food, drink, or smoking should not be left in the work area where dust would settle on them.


Environmental Safety


- Paint should be removed in such a manner as to minimize the amount of dust generated.
- Areas where paint removal is occurring should be sealed with plastic sheeting of 4 mils thickness.
- Sanding should be done in a manner to reduce tracking of paint dust outside the work area.

Cleaning and Disposal


- All surfaces in the work area should be vacuumed and thoroughly cleaned daily for the duration of the sanding project. Vacuum filter bags should be changed frequently.
- Plastic drop cloths should be gathered up and disposed of along with any dust chips or other removal debris. They should be placed in sealed refuse receptacles and disposed of through regular trash pick-up procedures. During clean up, children and pregnant women should be kept away from the immediate work area.
- All toys, washable furniture and utensils used by children should be washed thoroughly before being used again.

Additional Safety Information

 **WARNING:** Never modify the power tool or any part of it. Damage or personal injury could result.

 **WARNING: ALWAYS** use safety glasses. Everyday eyeglasses are NOT safety glasses. Also use face or dust mask if operation is dusty. ALL USERS AND BYSTANDERS MUST ALWAYS WEAR CERTIFIED SAFETY EQUIPMENT:


- ANSI Z87.1 eye protection (CAN/CSA Z94.3),
- ANSI S12.6 (S3.19) hearing protection,
- NIOSH/OSHA/MSHA respiratory protection.


 **WARNING:** Some dust created by power sanding, sawing, grinding, drilling, and other construction activities contains chemicals known to the State of California to cause cancer, birth defects or other reproductive harm. Some examples of these chemicals are:


- lead from lead-based paints,
- crystalline silica from bricks and cement and other masonry products, and
- arsenic and chromium from chemically-treated lumber.

Your risk from these exposures varies, depending on how often you do this type of work. To reduce your exposure to these chemicals: work in a well ventilated area, and work with approved safety equipment, such as those dust masks that are specially designed to filter out microscopic particles.

- **Avoid prolonged contact with dust from power sanding, sawing, grinding, drilling, and other construction activities. Wear protective clothing and wash exposed areas with soap and water.** Allowing dust to get into your mouth, eyes, or lay on the skin may promote absorption of harmful chemicals.



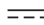









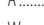
 **WARNING:** Use of this tool can generate and/or disperse dust, which may cause serious and permanent respiratory or other injury. Always use NIOSH/OSHA approved respiratory protection appropriate for the dust exposure. Direct particles away from face and body.

 **WARNING: Always wear proper personal hearing protection that conforms to ANSI S12.6 (S3.19) during use.** Under some conditions and duration of use, noise from this product may contribute to hearing loss.

 **CAUTION: When not in use, place tool on its side on a stable surface where it will not cause a tripping or falling hazard.** Some tools with large battery packs will stand upright on the battery pack but may be easily knocked over.

- **Air vents often cover moving parts and should be avoided.** Loose clothes, jewelry or long hair can be caught in moving parts.

The label on your tool may include the following symbols. The symbols and their definitions are as follows:

V	volts		or AC/DC... alternating or direct current
Hz	hertz		
min	minutes		Class II Construction (double insulated)
 or DC.....	direct current		
	Class I Construction (grounded)	n ₀	no load speed
.../min.....	per minute	n	rated speed
BPM	beats per minute		earthing terminal
IPM	impacts per minute		safety alert symbol
RPM	revolutions per minute		visible radiation
sfpm	surface feet per minute		avoid staring at light
SPM	strokes per minute		wear respiratory protection
OPM.....	oscillations per minute		wear eye protection
A	amperes		wear hearing protection
W	watts		read all documentation
 or AC.....	alternating current	IPXX.....	IP symbol

BATTERIES AND CHARGERS

The battery pack is not fully charged out of the carton. Before using the battery pack and charger, read the safety instructions below and then follow charging procedures outlined. When ordering replacement battery packs, be sure to include the catalog number and voltage.

READ ALL INSTRUCTIONS

Important Safety Instructions for All Battery Packs



WARNING: Read all safety warnings, instructions, and cautionary markings for the battery pack, charger and product. Failure to follow the warnings and instructions may result in electric shock, fire and/or serious injury.

- **Do not charge or use the battery pack in explosive atmospheres, such as in the presence of flammable liquids, gases or dust.** Inserting or removing the battery pack from the charger may ignite the dust or fumes.
 - **When battery pack is not in use, keep it away from other metal objects, like paper clips, coins, keys, nails, screws, or other small metal objects, that can make a connection from one terminal to another.** Shorting the battery terminals together may cause burns or a fire.
 - **NEVER force the battery pack into the charger. DO NOT modify the battery pack in any way to fit into a non-compatible charger as battery pack may rupture causing serious personal injury.** Consult the chart at the end of this manual for compatibility of batteries and chargers.
 - Charge the battery packs only in DEWALT chargers.
 - **DO NOT** splash or immerse in water or other liquids.
 - **Do not store or use the tool and battery pack in locations where the temperature may reach or exceed 104 °F (40 °C) (such as outside sheds or metal buildings in summer).** For best life store battery packs in a cool, dry location.
- NOTE:** Do not store the battery packs in a tool with the trigger switch locked on. Never tape the trigger switch in the ON position.
- **Do not expose battery pack or tool/appliance to fire or excessive temperature.** Exposure to fire or temperature above 265 °F (130 °C) may cause explosion.
 - **Do not incinerate the battery pack even if it is severely damaged or is completely worn out.** The battery pack can explode in a fire. Toxic fumes and materials are created when lithium-ion battery packs are burned.
 - **If battery contents come into contact with the skin, immediately wash area with mild soap and water.** If battery liquid gets into the eye, rinse water over the open eye for 15 minutes or until irritation ceases. If medical attention is needed, the battery electrolyte is composed of a mixture of liquid organic carbonates and lithium salts.
 - **Contents of opened battery cells may cause respiratory irritation.** Provide fresh air. If symptoms persist, seek medical attention.



WARNING: Burn hazard. Battery liquid may be flammable if exposed to spark or flame.



WARNING: Fire hazard. Never attempt to open the battery pack for any reason. If the battery pack case is cracked or damaged, do not insert into the charger.

Do not crush, drop or damage the battery pack. Do not use a battery pack or charger that has received a sharp blow, been dropped, run over or damaged in any way (e.g., pierced with a nail, hit with a hammer, stepped on). Damaged battery packs should be returned to the service center for recycling.

Storage Recommendations

1. The best storage place is one that is cool and dry, away from direct sunlight and excess heat or cold.
2. For long storage, it is recommended to store a fully charged battery pack in a cool dry place out of the charger for optimal results.

NOTE: Battery packs should not be stored completely depleted of charge. The battery pack will need to be recharged before use.

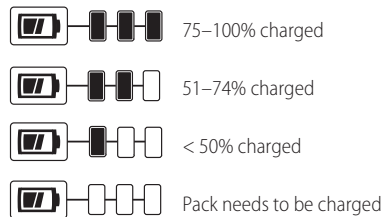
Battery Pack Cleaning Instructions

Dirt and grease may be removed from the exterior of the battery using a cloth or soft non-metallic brush. Do not use water or any cleaning solutions.

Fuel Gauge Battery Packs

Some DEWALT battery packs include a fuel gauge which consists of three green LED lights that indicate the level of charge remaining in the battery pack.

The fuel gauge is an indication of approximate levels of charge remaining in the battery pack according to the following indicators:



To actuate the fuel gauge, press and hold the fuel gauge button. A combination of the three green LED lights will illuminate designating the level of charge left. When the level of charge in the battery is below the usable limit, the fuel gauge will not illuminate and the battery will need to be recharged.

NOTE: The fuel gauge is only an indication of the charge left on the battery pack. It does not indicate tool functionality and is subject to variation based on product components, temperature and end-user application.

For more information regarding fuel gauge battery packs, please contact 1-800-4-DEWALT (1-800-433-9258) or visit our website www.dewalt.com.

Transportation



WARNING: Fire hazard. Do not store or carry the battery pack so that metal objects can contact exposed battery terminals. For example, do not place the battery pack in aprons, pockets, tool boxes, product kit boxes, drawers, etc., with loose nails, screws, keys, etc. **Transporting batteries**

can possibly cause fires if the battery terminals inadvertently come in contact with conductive materials such as keys, coins, hand tools and the like. The US Department of Transportation Hazardous Material Regulations (HMR) actually prohibit transporting batteries in commerce or on airplanes in carry-on baggage UNLESS they are properly protected from short circuits. So when transporting individual battery packs, make sure that the battery terminals are protected and well insulated from materials that could contact them and cause a short circuit. **NOTE:** Li-ion batteries should not be put in checked baggage.

The RBRC® Seal

The RBRC® (Rechargeable Battery Recycling Corporation) Seal on the nickel cadmium, nickel metal hydride or lithium-ion batteries (or battery packs) indicates that the costs to recycle these batteries (or battery packs) at the end of their useful life have already been paid by DEWALT. In some areas, it is illegal to place spent nickel cadmium, nickel metal hydride or lithium-ion batteries in the trash or municipal solid waste stream and the Call 2 Recycle® program provides an environmentally conscious alternative.

Call 2 Recycle, Inc., in cooperation with DEWALT and other battery users, has established the program in the United States and Canada to facilitate the collection of spent nickel cadmium, nickel metal hydride or lithium-ion batteries. Help protect our environment and conserve natural resources by returning the spent nickel cadmium, nickel metal hydride or lithium-ion batteries to an authorized DEWALT service center or to your local retailer for recycling. You may also contact your local recycling center for information on where to drop off the spent battery. RBRC® is a registered trademark of Call 2 Recycle, Inc.

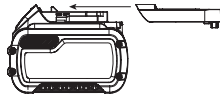


Shipping the DEWALT FLEXVOLT™ Battery

The DEWALT FLEXVOLT™ battery has two modes: **Use** and **Shipping**.

Use Mode: When the FLEXVOLT™ battery stands alone or is in a DEWALT 20V Max* product, it will operate as a 20V Max* battery. When the FLEXVOLT™ battery is in a 60V Max* or a 120V Max* (two 60V Max* batteries) product, it will operate as a 60V Max* battery.

Shipping Mode: When the cap is attached to the FLEXVOLT™ battery, the battery is in Shipping Mode. Strings of cells are electrically disconnected within the pack resulting in three batteries with a lower Watt hour (Wh) rating as compared to one battery with a higher Watt hour rating. This increased quantity of three batteries with the lower Watt hour rating can exempt the pack from certain shipping regulations that are imposed upon the higher Watt hour batteries.



The battery label indicates two Watt hour ratings (see example). Depending on how the battery is shipped, the appropriate Watt hour rating must be used to determine

the applicable shipping requirements. If utilizing the shipping cap, the pack will be considered 3 batteries at the Watt hour rating indicated for "Shipping". If shipping without the cap or in a tool, the pack will be considered one battery at the Watt hour rating indicated next to "Use".

Example of Use and Shipping Label Marking

USE: 120 Wh Shipping: 3 x 40 Wh

For example, Shipping Wh rating might indicate 3 x 40 Wh, meaning 3 batteries of 40 Watt hours each. The Use Wh rating might indicate 120 Wh (1 battery implied).

Important Safety Instructions for All Battery Chargers

WARNING: Read all safety warnings, instructions, and cautionary markings for the battery pack, charger and product. Failure to follow the warnings and instructions may result in electric shock, fire and/or serious injury.

- **DO NOT attempt to charge the battery pack with any chargers other than a DEWALT charger.** DEWALT chargers and battery packs are specifically designed to work together.
- **These chargers are not intended for any uses other than charging DEWALT rechargeable batteries.** Any other uses may result in risk of fire, electric shock or electrocution.
- **Do not expose the charger to rain or snow.**
- **Pull by the plug rather than the cord when disconnecting the charger.** This will reduce the risk of damage to the electric plug and cord.
- **Make sure that the cord is located so that it will not be stepped on, tripped over or otherwise subjected to damage or stress.**
- **Do not use an extension cord unless it is absolutely necessary.** Use of improper extension cord could result in risk of fire, electric shock or electrocution.
- **When operating a charger outdoors, always provide a dry location and use an extension cord suitable for outdoor use.** Use of a cord suitable for outdoor use reduces the risk of electric shock.
- **An extension cord must have adequate wire size (AWG or American Wire Gauge) for safety.** The smaller the gauge number of the wire, the greater the capacity of the cable, that is, 16 gauge has more capacity than 18 gauge. An undersized cord will cause a drop in line voltage resulting in loss of power and overheating. When using more than one extension to make up the total length, be sure each individual extension contains at least the minimum wire size. The following table shows the correct size to use depending on cord length and nameplate ampere rating. If in doubt, use the next heavier gauge. The lower the gauge number, the heavier the cord.

Minimum Gauge for Cord Sets

Volts		Total Length of Cord in Feet (meters)			
120V		25 (7.6)	50 (15.2)	100 (30.5)	150 (45.7)
240V		50 (15.2)	100 (30.5)	200 (61.0)	300 (91.4)
Ampere Rating More Than	Not More Than	American Wire Gauge			
0	6	18	16	16	14
6	10	18	16	14	12
10	12	16	16	14	12
12	16	14	12	Not Recommended	

- **Do not place any object on top of the charger or place the charger on a soft surface that might block the ventilation slots and result in excessive internal heat.** Place the charger in a position away from any heat source. The charger is ventilated through slots in the top and the bottom of the housing.
- **Do not operate the charger with a damaged cord or plug**—have them replaced immediately.
- **Do not operate the charger if it has received a sharp blow, been dropped or otherwise damaged in any way.** Take it to an authorized service center.
- **Do not disassemble the charger; take it to an authorized service center when service or repair is required.** Incorrect reassembly may result in a risk of electric shock, electrocution or fire.
- **Disconnect the charger from the outlet before attempting any cleaning. This will reduce the risk of electric shock.** Removing the battery pack will not reduce this risk.
- **NEVER** attempt to connect 2 chargers together.
- **The charger is designed to operate on standard 120V household electrical power. Do not attempt to use it on any other voltage.** This does not apply to the vehicular charger.

⚠ WARNING: Shock hazard. Do not allow any liquid to get inside the charger. Electric shock may result.

⚠ WARNING: Burn hazard. Do not submerge the battery pack in any liquid or allow any liquid to enter the battery pack. Never attempt to open the battery pack for any reason. If the plastic housing of the battery pack breaks or cracks, return to a service center for recycling.

⚠ CAUTION: Burn hazard. To reduce the risk of injury, charge only DEWALT rechargeable battery packs. Other types of batteries may overheat and burst resulting in personal injury and property damage.

⚠ CAUTION: Under certain conditions, with the charger plugged into the power supply, the charger can be shorted by foreign material. Foreign materials of a conductive nature, such as, but not limited to, grinding dust, metal chips, steel wool, aluminum foil or any buildup of metallic particles should be kept away from the charger cavities. Always unplug the charger from the power supply when there is no

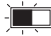





battery pack in the cavity. Unplug the charger before attempting to clean.

Charging a Battery

NOTE: To ensure maximum performance and life of lithium-ion battery packs, charge the battery pack fully before first use.

1. Plug the charger into an appropriate outlet before inserting battery pack.
2. Connect the charger and battery pack, making sure the battery is fully seated. The (charging) light will blink continuously indicating that the charging process has started.
3. The completion of charge will be indicated by the light remaining ON continuously. The battery pack is fully charged and may be removed and used at this time or left in the charger.

NOTE: To remove the battery pack, some chargers require the battery pack release button to be pressed.

Indicators	
	Charging 
	Fully Charged 
	Hot/Cold Pack Delay* 

***DCB107, DCB112, DCB113, DCB115, DCB118, DCB132:**

The red light will continue to blink, but a yellow indicator light will be illuminated during this operation. Once the battery pack has reached an appropriate temperature, the yellow light will turn off and the charger will resume the charging procedure.

A charger will not charge a faulty battery pack. The charger refusing to light could indicate a problem with the charger or a faulty battery pack.

NOTE: If the charger refuses to light, take the charger and battery pack to be tested at an authorized service center.

Leaving the Battery Pack In the Charger

The charger and battery pack can be left connected with the charge indicator showing pack charged.

Hot/Cold Pack Delay

When the charger detects a battery pack that is too hot or too cold, it automatically starts a Hot/Cold Pack Delay, suspending charging until the battery pack has reached an appropriate temperature. The charger then automatically switches to the pack charging mode. This feature ensures maximum battery pack life.

A cold battery pack may charge at a slower rate than a warm battery pack.

The DCB118 charger is equipped with an internal fan designed to cool the battery pack. The fan will turn on automatically when the battery pack needs to be cooled.

Never operate the charger if the fan does not operate properly or if ventilation slots are blocked. Do not permit foreign objects to enter the interior of the charger.

Electronic Protection System

Li-Ion tools are designed with an Electronic Protection System that will protect the battery pack against overloading, overheating or deep discharge.

The tool will automatically turn off if the Electronic Protection System engages. If this occurs, place the lithium-ion battery pack on the charger until it is fully charged.

Important Charging Notes

- Longest life and best performance can be obtained if the battery pack is charged when the air temperature is between 65 °F – 75 °F (18 °C – 24 °C). DO NOT charge when the battery pack is below +40 °F (+4.5 °C), or above +104 °F (+40 °C). This is important and will prevent serious damage to the battery pack.
- The charger and battery pack may become warm to the touch while charging. This is a normal condition, and does not indicate a problem. To facilitate the cooling of the battery pack after use, avoid placing the charger or battery pack in a warm environment such as in a metal shed or an uninsulated trailer.
- If the battery pack does not charge properly:
 - Check operation of receptacle by plugging in a lamp or other appliance;
 - Check to see if receptacle is connected to a light switch which turns power off when you turn out the lights;
 - Move the charger and battery pack to a location where the surrounding air temperature is approximately 65 °F – 75 °F (18 °C – 24 °C);
 - If charging problems persist, take the tool, battery pack and charger to your local service center.
- The battery pack should be recharged when it fails to produce sufficient power on jobs which were easily done previously. DO NOT CONTINUE to use under these conditions. Follow the charging procedure. You may also charge a partially used pack whenever you desire with no adverse effect on the battery pack.
- Foreign materials of a conductive nature such as, but not limited to, grinding dust, metal chips, steel wool, aluminum foil, or any buildup of metallic particles should be kept away from charger cavities. Always unplug the charger from the power supply when there is no battery pack in the cavity. Unplug the charger before attempting to clean.
- Do not freeze or immerse the charger in water or any other liquid.

Charger Cleaning Instructions



WARNING: Shock hazard. Disconnect the charger from the AC outlet before cleaning. Dirt and grease may be removed from the exterior of the charger using a cloth or soft non-metallic brush. Do not use water or any cleaning solutions.

Wall Mounting

DCB107, DCB112, DCB113, DCB115, DCB118, DCB132

These chargers are designed to be wall mountable or to sit upright on a table or work surface. If wall mounting, locate the charger within reach of an electrical outlet, and away from a corner or other obstructions which may impede air flow. Use the back of the charger as a template for the location of the mounting screws on the wall. Mount the charger securely using drywall screws (purchased separately) at least 1" (25.4 mm) long, with a screw head diameter of 0.28–0.35" (7–9 mm), screwed into wood to an optimal depth leaving approximately 7/32" (5.5 mm) of the screw exposed. Align the slots on the back of the charger with the exposed screws and fully engage them in the slots.

Intended Use

This quarter sheet sander is designed for professional use.

DO NOT use under wet conditions or in presence of flammable liquids or gases.

DO NOT let children come into contact with the tool. Supervision is required when inexperienced operators use this tool.

ASSEMBLY AND ADJUSTMENTS



WARNING: To reduce the risk of serious personal injury, turn unit off and remove the battery pack before making any adjustments or removing/installing attachments or accessories. An accidental start-up can cause injury.

Attaching Abrasive Paper (Fig. B–D)

Your sander is designed to use quarter sheet abrasive paper. A quarter sheet of abrasive paper is measured 4-1/2" x 5-1/2" (114.3 mm x 139.7 mm). This size paper can be made by:

- Cutting full sized 9" x 11" (228.6 mm x 279.4 mm) abrasive paper into 1/4 sheets of 4-1/2" x 5-1/2" (114.3 mm x 139.7 mm).
- Cutting half sheet of abrasive paper into two 4-1/2" x 5-1/2" (114.3 mm x 139.7 mm) sheets.
- Pre-cut 4-1/2" x 5-1/2" (114.3 mm x 139.7 mm) abrasive paper is available at extra cost.

Fitting Regular Abrasive Sheets (Fig. B–D)

For normal operation, assemble the abrasive paper to your unit as follows:

- Soften the stiff abrasive paper by pulling it over the 90° edge of a table or other straight edge, as shown in Figure B. Concentrate on softening the edges to be clamped.
- Release the rear paper clamp **14** by pulling up on the side clamp levers **1** and disengaging them from the tabs **15** on the base plate/pad **3**.
- Disengage the front paper clamp **10** (Fig. D) by applying and holding pressure on the front clamp button **16** while inserting the 4-1/2" (114.3 mm) edge of the abrasive paper under the front paper clamp **10**.

until it hits the paper-limiting ribs **17**. Release the front paper clamp to secure the front of the abrasive paper.

- Stretch abrasive paper over the base plate/pad **3** and begin to pivot the rear paper clamp **14** around to its locking position. Lock one side clamp lever **1** by placing it behind the tab on the base plate/pad and then repeat with the second side clamp lever.
- If you are using the dust extraction feature, perforate the abrasive paper (see **Paper Punch**).

Fig. B

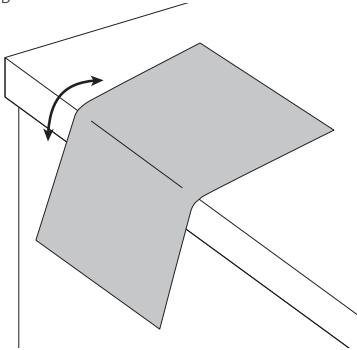


Fig. C

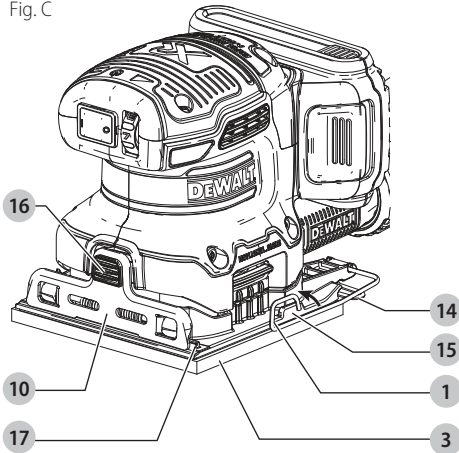
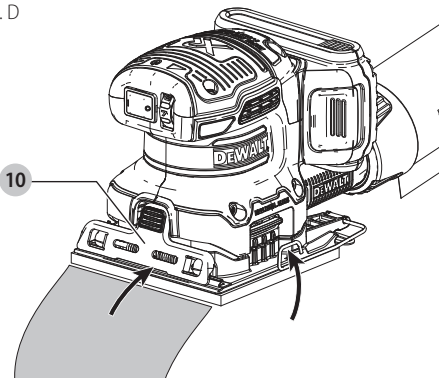


Fig. D



Paper Punch (Fig. E, F)



CAUTION: Turn off and remove the battery pack from the tool before making any adjustments or removing or installing attachments or accessories. Be sure the switch is in the OFF position.

A paper punch **11** is provided with your sander to let you perforate regular abrasive paper to make dust collection possible.

To Perforate your Abrasive Paper

Install the abrasive paper on the tool as instructed in this manual. With the sander turned off and battery removed, place the paper punch on the paper so that the tabs at the edges of the punch are against any two adjacent sides of the sanding pad, as shown. Press the punch against the pad so that the 8 points penetrate the paper, as shown in Figure F. (Press the punch into the pad as far as it will go.) Remove the paper punch and the paper is ready.

An alternate method of perforating the paper is to securely fasten the punch to a suitable work surface. Two holes are provided in the punch for this purpose. Use #8 flat head screws. Press the sander (with the paper attached) down on the punch.

Fig. E

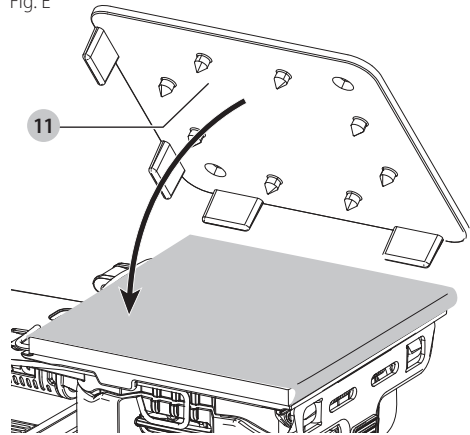
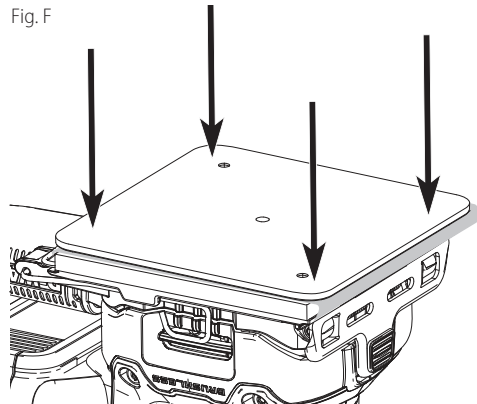


Fig. F



Switch (Fig. A)

To turn the unit on, depress the side of the dust-protected switch 5 that corresponds to the symbol "I". To turn the tool off, depress the side of the switch that corresponds to the symbol "O".

Speed Control Dial (Fig. A)

The speed control dial 2, shown in Figure A, allows you to increase or decrease speed from 12000–14000 Orbits Per Minute. The optimal speed setting for each application is very much dependent on personal preference. Generally, you will want to use a higher setting on harder materials and a lower setting on softer materials. Material removal rate increases as speed increases.

OPERATION

⚠ WARNING: To reduce the risk of serious personal injury, turn unit off and remove the battery pack before making any adjustments or removing/ installing attachments or accessories. An accidental start-up can cause injury.

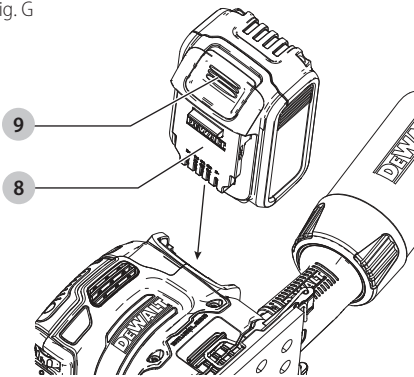
Installing and Removing the Battery Pack (Fig. G)

NOTE: For best results, make sure your battery pack is fully charged.

To install the battery pack 8 into the tool, align the battery pack with the rails inside the tool. Slide it in until the battery pack is firmly seated in the tool and ensure that it does not disengage.

To remove the battery pack from the tool, press the release button 9 and firmly pull the battery pack out of the tool handle. Insert it into the charger as described in the charger section of this manual

Fig. G



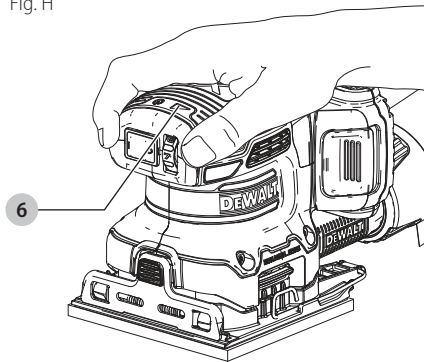
Proper Hand Position (Fig. H)

⚠ WARNING: To reduce the risk of serious personal injury, ALWAYS use proper hand position as shown.

⚠ WARNING: To reduce the risk of serious personal injury, ALWAYS hold securely in anticipation of a sudden reaction.

Proper hand position requires one hand on the main grip 6.

Fig. H



Dust Collection (Fig. A, I)

⚠ WARNING: Collected sanding dust from sanding surface coatings (polyurethane, linseed oil, etc.) can self ignite in sander dust bag or elsewhere and cause fire. To reduce risk, empty bag frequently and strictly follow sander manual and coating manufacturer's instructions.

Your sander has a removable dust chute 7 which allows either the supplied dust bag 4 or a shop vacuum system to be connected. The built-in outlet utilizes the DEWALT AirLock connection making it compatible with the DEWALT dust extractor.

To Attach the Dust Bag

1. While holding the sander, fit the dust bag collar 12 to the removable dust chute 7 as shown in Figure I.
2. Turn the collar 12 clockwise to lock the dust bag 4 in place.

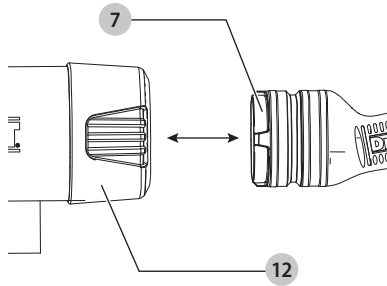
To Empty the Dust Bag

1. While holding the sander, turn the collar 12 counterclockwise to unlock the dust bag 4.
2. Remove dust bag from the sander and gently shake or tap the dust bag to empty.
3. Reattach the dust bag back onto the outlet and lock into place by turning the dust bag collar clockwise.

You may notice that all the dust will not come free from the bag. This will not affect sanding performance but will reduce the sander's dust collection efficiency. To restore your sander's dust collection efficiency, depress the spring inside the dust bag when you are emptying it and tap it on the side of the trash can or dust receptacle.

⚠ CAUTION: Never operate these tools unless the dust collector is in place. Sanding dust exhaust may create a breathing hazard.

Fig. I



Sander Operation (Fig. H)



WARNING: Let the tool work at its own pace. Do not overload.

NOTICE: This sander is not to be used in drywall applications.

To operate your sander, grasp it as shown in Figure H and turn it on. Move it in long, sweeping strokes along the surface being sanded, letting the sander do the work. Pushing down on the tool while sanding actually slows the removal rate and produces an inferior quality surface. Be sure to check your work often, this sander is capable of removing material rapidly, especially with coarse paper. Your sander is designed to sand flush on three sides for sanding in corners, and its small size and light weight make it ideal for overhead work.

The orbital action of your sander allows you to sand with the grain or at any angle across it for most sanding jobs. On the final sanding steps, as discussed below, a better finish will result if you sand only with the grain.

To produce the best finish possible, start with coarse grit abrasive paper and change gradually to finer and finer paper. A final sanding with a piece of well-worn fine abrasive paper will produce a professional-looking finish that in many cases will need no hand sanding at all. The rate at which the dust collection bag will fill up will vary with the type of material being sanded and the coarseness of the abrasive paper. For best results, empty the bag frequently and check the opening for clogging.

When sanding painted surfaces, you may find that the abrasive paper loads up and clogs with paint. A heat gun will work much better to remove paint before sanding. FOLLOW ALL SAFETY INSTRUCTIONS IN HEAT GUN INSTRUCTION MANUAL.

MAINTENANCE



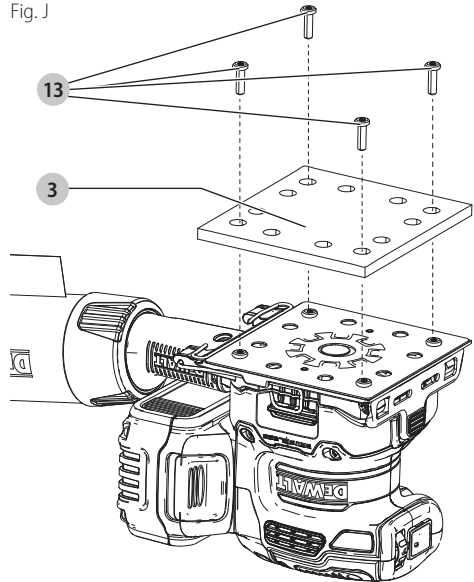
WARNING: To reduce the risk of serious personal injury, turn unit off and remove the battery pack before making any adjustments or removing/installing attachments or accessories. An accidental start-up can cause injury.

Replacing the Sanding Pad (Fig. J)

The sanding pad **3** is designed to be a consumable part and will occasionally need to be replaced. The sanding pad needs replacement when signs of wear become evident. Sanding pads are available at extra cost from your local dealer or authorized DEWALT service center.

1. Holding the base firmly, remove the four screws **13** from the bottom of the pad.
2. Remove the pad **3**.
3. Reinstall pad. Replace the four screws **13**. Be careful not to over-tighten screws.

Fig. J



Tool Care

- Keep your machine as clean as possible by wiping with a clean cloth and blowing through it with air after every 5 hours of use.
- Don't use harsh chemicals or solvents to clean the tool. These chemicals could seriously damage the plastic.
- Avoid overloading your sander. Overloading will result in a considerable reduction in speed and efficiency and the unit will become hot. In this event, run sander at a "no load" condition for a minute or two.

Cleaning



WARNING: Blow dirt and dust out of all air vents with clean, dry air at least once a week. To minimize the risk of eye injury, always wear ANSI Z87.1 approved eye protection when performing this procedure.



WARNING: Never use solvents or other harsh chemicals for cleaning the non-metallic parts of the tool. These chemicals may weaken the plastic materials used in these parts. Use a cloth dampened only with water and mild soap. Never let any liquid

ENGLISH

get inside the tool; never immerse any part of the tool into a liquid.

Accessories



WARNING: *Since accessories, other than those offered by DEWALT, have not been tested with this product, use of such accessories with this tool could be hazardous. To reduce the risk of injury, only DEWALT recommended accessories should be used with this product.*

Recommended accessories for use with your tool are available at extra cost from your local dealer or authorized service center. If you need assistance in locating any accessory, please contact DEWALT call 1-800-4-DEWALT (1-800-433-9258) or visit our website: www.dewalt.com.

Included with the unit is a dust port which fits batteries 5Ah and under.

Available for purchase as a service part (N684701) is a dust port for batteries 6Ah and over.

Repairs

The charger and battery pack are not serviceable. There are no serviceable parts inside the charger or battery pack.



WARNING: *To assure product SAFETY and RELIABILITY, repairs, maintenance and adjustment (including brush inspection and replacement, when applicable) should be performed by a DEWALT factory service center or a DEWALT authorized service center. Always use identical replacement parts.*

Register Online

Thank you for your purchase. Register your product now for:

- **WARRANTY SERVICE:** Registering your product will help you obtain more efficient warranty service in case there is a problem with your product.
- **CONFIRMATION OF OWNERSHIP:** In case of an insurance loss, such as fire, flood or theft, your registration of ownership will serve as your proof of purchase.
- **FOR YOUR SAFETY:** Registering your product will allow us to contact you in the unlikely event a safety notification is required under the Federal Consumer Safety Act.
- Register online at www.dewalt.com

Three Year Limited Warranty

DEWALT will repair or replace, without charge, any defects due to faulty materials or workmanship for three years from the date of purchase (two years for batteries). This warranty does not cover part failure due to normal wear or tool abuse. For further detail of warranty coverage and warranty repair information, visit www.dewalt.com or call 1-800-4-DEWALT (1-800-433-9258). This warranty does not apply to accessories or damage caused where repairs have been made or attempted by others. THIS LIMITED WARRANTY IS GIVEN IN LIEU OF ALL OTHERS, INCLUDING THE IMPLIED WARRANTY OF MERCHANTABILITY AND FITNESS FOR A PARTICULAR PURPOSE, AND EXCLUDES

ALL INCIDENTAL OR CONSEQUENTIAL DAMAGES. Some states do not allow limitations on how long an implied warranty lasts or the exclusion or limitation of incidental or consequential damages, so these limitations may not apply to you. This warranty gives you specific legal rights and you may have other rights which vary in certain states or provinces.

In addition to the warranty DEWALT tools are covered by our:

1 YEAR FREE SERVICE

DEWALT will maintain the tool and replace worn parts caused by normal use, for free, any time during the first year after purchase.

2 YEARS FREE SERVICE ON DEWALT BATTERY PACKS

DC9071, DC9091, DC9096, DC9182, DC9280, DC9360, DCB120, DCB122, DCB124, DCB127, DCB201, DCB203BT, DCB207, DCB361

3 YEARS FREE SERVICE ON DEWALT BATTERY PACKS

DCB200, DCB203, DCB204, DCB204BT, DCB205, DCB205BT, DCB206, DCB230, DCB606, DCB609, DCB612

NOTE: Battery warranty voided if the battery pack is tampered with in any way. DEWALT is not responsible for any injury caused by tampering and may prosecute warranty fraud to the fullest extent permitted by law.

90 DAY MONEY BACK GUARANTEE

If you are not completely satisfied with the performance of your DEWALT Power Tool or Nailer for any reason, you can return it within 90 days from the date of purchase with a receipt for a full refund – no questions asked.

LATIN AMERICA: This warranty does not apply to products sold in Latin America. For products sold in Latin America, see country specific warranty information contained in the packaging, call the local company or see website for warranty information.

FREE WARNING LABEL REPLACEMENT: If your warning labels become illegible or are missing, call 1-800-4-DEWALT (1-800-433-9258) for a free replacement.

Définitions : symboles et termes d'alarmes sécurité

Ces guides d'utilisation utilisent les symboles et termes d'alarmes sécurité suivants pour vous prévenir de situations dangereuses et de risques de dommages corporels ou matériels.



DANGER : indique une situation dangereuse imminente qui, si elle n'est pas évitée, **entraînera la mort ou des blessures graves**.



AVERTISSEMENT : indique une situation potentiellement dangereuse qui, si elle n'est pas évitée, **pourrait entraîner la mort ou des blessures graves**.



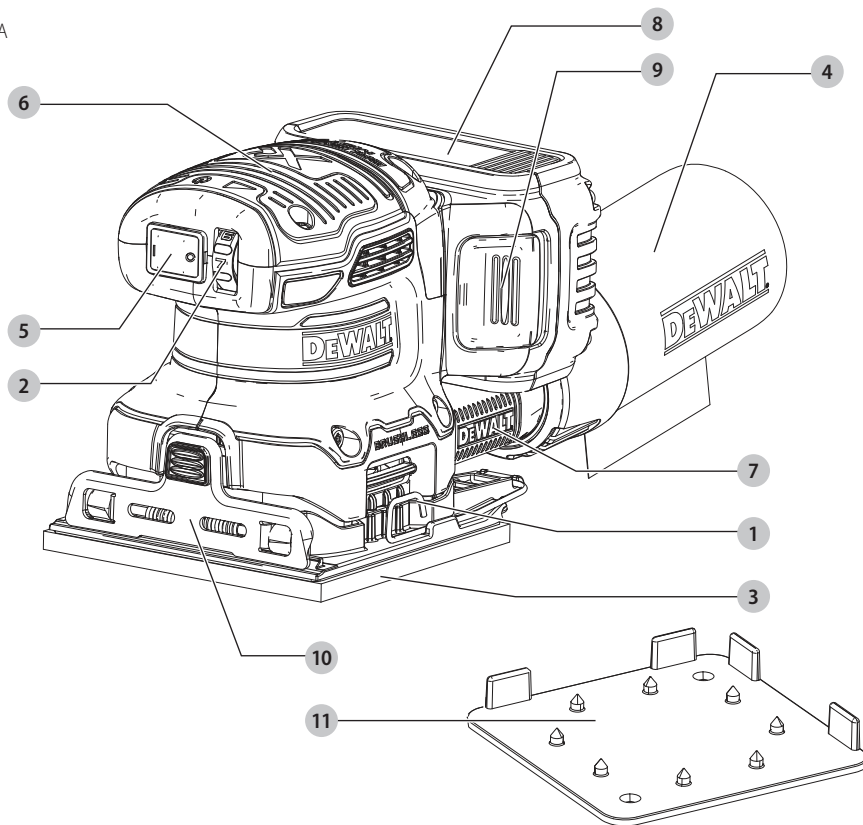
ATTENTION : indique une situation potentiellement dangereuse qui, si elle n'est pas évitée, **pourrait entraîner des blessures légères ou modérées**.



(Si utilisé sans aucun terme) Indique un message propre à la sécurité.

AVIS : indique une pratique ne posant **aucun risque de dommages corporels** mais qui par contre, si rien n'est fait pour l'éviter, **pourrait poser des risques de dommages matériels**.

Fig. A



- | | |
|-----------------------------------|---------------------------------|
| 1 Levier de la pince | 7 Conduit de poussière amovible |
| 2 Cadran de réglage de la vitesse | 8 Bloc-piles |
| 3 Patin de ponçage | 9 Bouton de libération |
| 4 Sac de poussière | 10 Pince du papier |
| 5 Bouton marche/arrêt | 11 Poinçon du papier |
| 6 Poignée principale | |



AVERTISSEMENT : lire tous les avertissements de sécurité et toutes les directives. Le non-respect des avertissements et des directives pourrait se solder par un choc électrique, un incendie et/ou une blessure grave.



AVERTISSEMENT : afin de réduire le risque de blessures, lire le mode d'emploi de l'outil.

Pour toute question ou remarque au sujet de cet outil ou de tout autre outil DEWALT composez le numéro sans frais : (1-800-433-9258).

Ponceuse pour feuille de 1/4 sans brosse 20 V max. DCW200

AVERTISSEMENTS GÉNÉRAUX SUR LA SÉCURITÉ DES OUTILS



AVERTISSEMENT : lisez tous les avertissements de sécurité, toutes les instructions, les illustrations et les caractéristiques fournies avec cet outil électrique. Ne pas suivre toutes les instructions comprises aux présentes peut conduire à un choc électrique, un incendie et/ou des blessures graves.

CONSERVER TOUS LES AVERTISSEMENTS ET TOUTES LES DIRECTIVES POUR UN USAGE ULTÉRIEUR

Le terme « outil électrique » cité dans les avertissements se rapporte à votre outil électrique à alimentation sur secteur (avec fil) ou par piles (sans fil).

1) Sécurité du lieu de travail

- Tenir l'aire de travail propre et bien éclairée.**
Les lieux encombrés ou sombres sont propices aux accidents.
- Ne pas faire fonctionner d'outils électriques dans un milieu déflagrant, tel qu'en présence de liquides, de gaz ou de poussières inflammables.**
Les outils électriques produisent des étincelles qui pourraient enflammer la poussière ou les vapeurs.
- Éloigner les enfants et les personnes à proximité pendant l'utilisation d'un outil électrique.** Une distraction pourrait en faire perdre la maîtrise à l'utilisateur.

2) Sécurité en matière d'électricité

- Les fiches des outils électriques doivent correspondre à la prise. Ne jamais modifier la fiche d'aucune façon. Ne jamais utiliser de fiche d'adaptation avec un outil électrique mis à la terre.** Le risque de choc électrique sera réduit par l'utilisation de fiches non modifiées correspondant à la prise.
- Éviter tout contact physique avec des surfaces mises à la terre comme des tuyaux, des radiateurs, des cuisinières et des réfrigérateurs.** Le risque de choc électrique est plus élevé si votre corps est mis à la terre.
- Ne pas exposer les outils électriques à la pluie ou à l'humidité.** La pénétration de l'eau dans un outil électrique augmente le risque de choc électrique.
- Ne pas utiliser le cordon de façon abusive. Ne jamais utiliser le cordon pour transporter, tirer ou débrancher un outil électrique. Tenir le cordon éloigné de la chaleur, de l'huile, des bords tranchants et des pièces mobiles.** Les cordons endommagés ou enchevêtrés augmentent les risques de choc électrique.
- Pour l'utilisation d'un outil électrique à l'extérieur, se servir d'une rallonge convenant à**

cette application. L'utilisation d'une rallonge conçue pour l'extérieur réduira les risques de choc électrique.

- S'il est impossible d'éviter l'utilisation d'un outil électrique dans un endroit humide, brancher l'outil dans une prise ou sur un circuit d'alimentation dotés d'un disjoncteur de fuite à la terre (GFCI).** L'utilisation de ce type de disjoncteur réduit les risques de choc électrique.

3) Sécurité personnelle

- Être vigilant, surveiller le travail effectué et faire preuve de jugement lorsqu'un outil électrique est utilisé. Ne pas utiliser d'outil électrique en cas de fatigue ou sous l'influence de drogues, d'alcool ou de médicaments.** Un simple moment d'inattention en utilisant un outil électrique peut entraîner des blessures corporelles graves.
- Utiliser des équipements de protection individuelle. Toujours porter une protection oculaire.** L'utilisation d'équipements de protection comme un masque antipoussière, des chaussures antidérapantes, un casque de sécurité ou des protecteurs auditifs lorsque la situation le requiert réduira les risques de blessures corporelles.
- Empêcher les démarrages intempestifs. S'assurer que l'interrupteur se trouve à la position d'arrêt avant de relier l'outil à une source d'alimentation et/ou d'insérer un bloc-piles, de ramasser ou de transporter l'outil.** Transporter un outil électrique alors que le doigt repose sur l'interrupteur ou brancher un outil électrique dont l'interrupteur est à la position de marche risque de provoquer un accident.
- Retirer toute clé de réglage ou clé avant de démarrer l'outil.** Une clé ou une clé de réglage attachée à une partie pivotante de l'outil électrique peut provoquer des blessures corporelles.
- Ne pas trop tendre les bras. Conserver son équilibre en tout temps.** Cela permet de mieux maîtriser l'outil électrique dans les situations imprévues.
- S'habiller de manière appropriée. Ne pas porter de vêtements amples ni de bijoux. Garder les cheveux, les vêtements et les gants à l'écart des pièces mobiles.** Les vêtements amples, les bijoux ou les cheveux longs risquent de rester coincés dans les pièces mobiles.
- Si des composants sont fournis pour le raccordement de dispositifs de dépoussiérage et de ramassage, s'assurer que ceux-ci sont bien raccordés et utilisés.** L'utilisation d'un dispositif de dépoussiérage peut réduire les dangers engendrés par les poussières.
- Ne pas laisser votre connaissance acquise suite à l'utilisation fréquente des outils vous permettre de baisser la garde et ignorer les principes de**

sécurité de l'outil. Un acte irréfléchi peut causer une blessure grave en une fraction de seconde.

4) Utilisation et entretien d'un outil électrique

- a) **Ne pas forcer un outil électrique. Utiliser l'outil électrique approprié à l'application.** L'outil électrique approprié effectuera un meilleur travail, de façon plus sûre et à la vitesse pour laquelle il a été conçu.
- b) **Ne pas utiliser un outil électrique dont l'interrupteur est défectueux.** Tout outil électrique dont l'interrupteur est défectueux est dangereux et doit être réparé.
- c) **Débranchez la fiche de la prise électrique et, si amovible, retirez le bloc-piles de l'outil avant d'effectuer tout ajustement, changement et entreposage de celui-ci.** Ces mesures préventives réduisent les risques de démarrage accidentel de l'outil électrique.
- d) **Ranger les outils électriques hors de la portée des enfants et ne permettre à aucune personne n'étant pas familière avec un outil électrique ou son mode d'emploi d'utiliser cet outil.** Les outils électriques deviennent dangereux entre les mains d'utilisateurs inexpérimentés.
- e) **Gardez les poignées et surfaces d'emprise propres et libres de tout produit lubrifiant. Vérifier si les pièces mobiles sont mal alignées ou coincées, si des pièces sont brisées ou présentent toute autre condition susceptible de nuire au bon fonctionnement de l'outil électrique. En cas de dommage, faire réparer l'outil électrique avant toute nouvelle utilisation.** Beaucoup d'accidents sont causés par des outils électriques mal entretenus.
- f) **S'assurer que les outils de coupe sont aiguisés et propres.** Les outils de coupe bien entretenus et affûtés sont moins susceptibles de se coincer et sont plus faciles à maîtriser.
- g) **Utiliser l'outil électrique, les accessoires, les forets, etc. conformément aux présentes directives en tenant compte des conditions de travail et du travail à effectuer.** L'utilisation d'un outil électrique pour toute opération autre que celle pour laquelle il a été conçu est dangereuse.
- h) **Garder vos mains et les surfaces de prise sèches, propres et libres de graisse et de poussière.** Les mains et les surfaces de prise glissantes ne permettent pas la manutention et le contrôle sécuritaires de l'outil dans les situations imprévues.

5) Utilisation et entretien du bloc-piles

- a) **Ne recharger l'outil qu'au moyen du chargeur précisé par le fabricant.** L'utilisation d'un chargeur qui convient à un type de bloc-piles risque de provoquer un incendie s'il est utilisé avec un autre type de bloc-piles.
- b) **Utiliser les outils électriques uniquement avec les blocs-piles conçus à cet effet.** L'utilisation de

tout autre bloc-piles risque de causer des blessures ou un incendie.

- c) **Lorsque le bloc-piles n'est pas utilisé, le tenir éloigné des objets métalliques, notamment des trombones, de la monnaie, des clés, des clous, des vis ou autres petits objets métalliques qui peuvent établir une connexion entre les deux bornes.** Le court-circuit des bornes du bloc-piles risque de provoquer des brûlures ou un incendie.
- d) **En cas d'utilisation abusive, le liquide peut gicler hors du bloc-piles; éviter tout contact avec ce liquide. Si un contact accidentel se produit, laver à grande eau. Si le liquide entre en contact avec les yeux, obtenir également des soins médicaux.** Le liquide qui gicle hors du bloc-piles peut provoquer des irritations ou des brûlures.
- e) **Ne pas utiliser de bloc-piles ou outil qui a été endommagé ou modifié.** Les unités endommagées ou modifiées peuvent avoir une réaction imprévisible résultant en un incendie, une explosion ou un potentiel de blessure.
- f) **Ne pas exposer de bloc-piles ou l'outil aux flammes ou à des températures excessives.** L'exposition aux flammes ou à une température au-dessus de 129 °C (265 °F) pourrait causer une explosion.
- g) **Suivre toutes les instructions de recharge et ne recharger pas le bloc-piles ou l'outil à des températures hors de la plage de température indiquée dans les instructions.** Une recharge non conforme ou à une température hors des limites spécifiées peut endommager les piles et augmenter le risque d'incendie.

6) Réparation

- a) **Faire réparer l'outil électrique par un réparateur professionnel en n'utilisant que des pièces de rechange identiques.** Cela permettra de maintenir une utilisation sécuritaire de l'outil électriques.
- b) **Ne jamais réparer des blocs-piles endommagés.** La réparation de blocs-piles doit seulement être effectuée par le fabricant ou les fournisseurs de service autorisés.

Règles de sécurité additionnelles relatives aux ponceuses

- **Ne pas poncer de surfaces métalliques de tout type avec la ponceuse.** Le ponçage de vis, clous ou autres pièces métalliques produit des étincelles qui pourraient enflammer des particules de poussière.
- **Ne pas poncer à l'eau avec la présente ponceuse.** Du liquide risque de pénétrer le boîtier du moteur et ainsi provoquer un choc électrique.
- **Vider souvent le dépoussiéreur, particulièrement lors du ponçage de surfaces enduites de matières à base de résine comme du polyuréthane, du vernis, du vernis à la gomme laque, etc.** Éliminer les particules de poussière enduites de produit selon les recommandations du fabricant du fini ou les amasser

FRANÇAIS

dans une boîte de métal avec un couvercle bien ajusté. Les retirer des lieux quotidiennement. L'accumulation de particules fines de poussière risque de s'enflammer spontanément et provoquer un incendie.

- **Ne pas faire fonctionner cet outil durant de longues périodes.** Les vibrations causées par le fonctionnement de cet outil peuvent provoquer des blessures permanentes aux doigts, aux mains et aux bras. Utiliser des gants pour amortir davantage les vibrations, prendre de fréquentes périodes de repos et limiter la durée quotidienne d'utilisation.
- **Le ponçage de peinture à base de plomb, de bois traité chimiquement (sous pression) ou tout autre matériau contenant des éléments cancérigènes n'est pas recommandé.** Le ponçage de ces matériaux ne doit être réalisé que par un professionnel.
- **Nettoyer l'outil régulièrement, particulièrement après une utilisation intensive.** La poussière et les saletés contenant des particules métalliques s'accumulent souvent sur les surfaces internes de l'outil et pourraient constituer un risque de blessure grave, de choc électrique ou d'électrocution. Toujours débrancher la ponceuse avant de procéder au nettoyage. Toujours porter des lunettes de sécurité en conformité avec la norme ANSI Z87.1.
- **Toujours débrancher l'outil avant de changer de feuilles abrasives.** Ces mesures préventives réduisent les risques de démarrage accidentel de l'outil électrique.

Directives et consignes de sécurité : ponceuses

Ponçage des peintures à base de plomb

Le ponçage des peintures à base de plomb N'EST PAS RECOMMANDÉ, car il est difficile de se protéger contre les poussières contaminées. L'empoisonnement au plomb présente le plus grand danger pour les enfants et les femmes enceintes.

Comme il est difficile d'identifier si la peinture contient ou non du plomb sans effectuer une analyse chimique, nous vous recommandons de prendre les précautions suivantes lors du ponçage de toutes les peintures.

Protection de l'individu

- Aucun enfant ou femme enceinte ne devrait pénétrer sur les lieux de travail lors du ponçage et tant que ces lieux n'auront pas été nettoyés complètement.
- Toute personne entrant dans la zone de travail devrait porter un masque antipoussières ou un dispositif de protection des voies respiratoires. Le filtre doit en être remplacé quotidiennement ou chaque fois que l'utilisateur commence à avoir des difficultés à respirer.

REMARQUE : utiliser exclusivement une protection des voies respiratoires adéquate pour le travail sur les peintures au plomb produisant poussières ou émanations. Les masques ordinaires n'offrent pas ce niveau de protection. Se renseigner auprès de son quincaillier local pour obtenir une liste de masques antipoussières (agréés par NIOSH).

- NE PAS MANGER, BOIRE OU FUMER sur les lieux de travail pour prévenir l'ingestion de particules de peinture contaminées. Il est recommandé aux ouvriers de se laver et changer AVANT de manger, boire ou fumer. Ne pas laisser sur les lieux de travail, là où la poussière pourrait s'y déposer, nourriture, boisson, cigarette ou autre produit de consommation.

Protection de l'environnement

- La peinture devrait être retirée de façon à minimiser la quantité de poussières générées.
- Les lieux où la peinture est retirée devraient être isolés avec des panneaux de plastique de 4 mils d'épaisseur.
- Le ponçage devrait être effectué de manière à réduire toute propagation des poussières de peinture hors des lieux de travail.

Nettoyage et élimination

- Passer quotidiennement l'aspirateur sur les lieux de travail et les nettoyer soigneusement pendant toute la durée du projet de ponçage. Changer fréquemment les filtres d'aspirateur.
- Recueillir toute toile de protection plastifiée utilisée et s'en défaire avec toute particule de poussière ou autre débris à éliminer. Les placer dans un contenant hermétique pour déchets et les jeter conformément à la procédure normale d'élimination des ordures. Pendant le nettoyage, maintenir à distance de la zone immédiate de travail les enfants ou les femmes enceintes.
- Nettoyer soigneusement jouets, meubles lavables, et tout ustensile utilisé par les enfants avant toute nouvelle réutilisation.

Consigne de sécurité supplémentaire



AVERTISSEMENT : ne jamais modifier l'outil électrique ni aucun de ses composants, car il y a risques de dommages corporels ou matériels.



AVERTISSEMENT : porter **SYSTEMATIQUÉMENT** des lunettes de protection. Les lunettes courantes NE sont PAS des lunettes de protection. Utiliser aussi un masque antipoussières si l'opération est poussiéreuse. **PORTER SYSTEMATIQUÉMENT UN ÉQUIPEMENT DE SÉCURITÉ HOMOLOGUÉ :**

- Protection oculaire ANSI Z87.1 (CAN/CSA Z94.3) ;
- Protection auditive ANSI S12.6 (S3.19) ;
- Protection des voies respiratoires NIOSH/ OSHA/ MSHA.



AVERTISSEMENT : les scies, meules, ponceuses, perceuses ou autres outils de construction peuvent produire des poussières contenant des produits chimiques reconnus par l'État californien pour causer cancers, malformations congénitales ou être nocifs au système reproducteur. Parmi ces produits chimiques, on retrouve :

- Le plomb dans les peintures à base de plomb ;
- La silice cristallisée dans les briques et le ciment, ou autres produits de maçonnerie ; et

- *L'arsenic et le chrome dans le bois ayant subi un traitement chimique.*

Le risque associé à de telles expositions varie selon la fréquence à laquelle on effectue ces travaux.

Pour réduire toute exposition à ces produits : travailler dans un endroit bien aéré, en utilisant du matériel de sécurité homologué, tel un masque antipoussières spécialement conçu pour filtrer les particules microscopiques.

- **Limiter toute exposition prolongée avec les poussières provenant du ponçage, sciage, meulage, perçage ou toute autre activité de construction. Porter des vêtements de protection et nettoyer à l'eau savonneuse les parties du corps exposées.** *Le fait de laisser la poussière pénétrer dans la bouche, les yeux ou la peau peut favoriser l'absorption de produits chimiques dangereux.*

AVERTISSEMENT : cet outil peut produire et/ou répandre de la poussière susceptible de causer des dommages sérieux et permanents au système respiratoire. Utiliser systématiquement un appareil de protection des voies respiratoires homologué par le NIOSH ou l'OSHA. Diriger les particules dans le sens opposé au visage et au corps.

AVERTISSEMENT : pendant l'utilisation, porter systématiquement une protection auditive individuelle adéquate homologuée ANSI S12.6 (S3.19). Sous certaines conditions et suivant la durée d'utilisation, le bruit émanant de ce produit pourrait contribuer à une perte de l'acuité auditive.

ATTENTION : après utilisation, ranger l'outil sur son côté, sur une surface stable, là où il ne pourra ni faire trébucher ni faire chuter quelqu'un. Certains outils équipés d'un large bloc-piles peuvent tenir à la verticale sur celui-ci, mais manquent alors de stabilité.

- **Prendre des précautions à proximité des événements, car ils cachent des pièces mobiles.** *Vêtements amples, bijoux ou cheveux longs risquent de rester coincés dans ces pièces mobiles.*

L'étiquette apposée sur votre outil peut inclure les symboles suivants. Les symboles et leur définition sont indiqués ci-après :

V	vols	SPM (FPM)	fréquence par minute
Hz	hertz	OPM	oscillations por minuto
min	minutes	A	ampères
— ou DC	courant continu	W	watts
Ⓜ	fabrication classe I (mis à la terre)	~ ou AC	courant alternatif
.../min	par minute	⎓ ou AC/DC	courant alternatif ou continu
BPM	battements par minute	Ⓜ	fabrication classe II (double isolation)
IPM	impacts par minute	n ₀	vitesse à vide
RPM	révolutions par minute	n	vitesse nominale
sfp (plpm)	pieds linéaires par minute	Ⓧ	borne de terre

⚠	symbole d'avertissement	👁	protection oculaire
☀	radiation visible	👂	protection auditive
👤	protection respiratoire	📖	lire toute la documentation
IPXX	symbole IP		

BLOCS-PILES ET CHARGEURS

Le bloc-piles n'est pas totalement chargé d'usine. Avant d'utiliser le bloc-piles et le chargeur, lire les consignes de sécurité ci-après puis suivre la procédure de chargement indiquée. Pour commander un bloc-piles de rechange, s'assurer d'en inclure le numéro de catalogue et la tension.

LIRE TOUTES LES CONSIGNES

Consignes importantes de sécurité les blocs-piles

AVERTISSEMENT : lisez toutes les consignes de sécurité, les instructions et les symboles d'avertissements du bloc-piles, du chargeur et du produit. **Tout manquement aux avertissements et instructions pose des risques de décharges électriques, d'incendie et/ou de blessures graves.**

- **Ne pas recharger ou utiliser un bloc-piles en milieu déflagrant, en présence, par exemple, de poussières, gaz ou liquides inflammables.** *Le fait d'insérer ou retirer un bloc-piles de son chargeur pourrait causer l'inflammation de poussières ou d'émanations.*
 - **Lorsque non utilisé, garder le bloc-piles éloigné de petits objets métalliques comme des trombones, des pièces de monnaie, des clés, des clous et vis ou autres pièces qui pourraient court-circuiter les bornes.** *Un court-circuit pourrait causer des brûlures ou un incendie.*
 - **NE JAMAIS forcer l'insertion d'un bloc-piles dans un chargeur. NE modifier un bloc-piles d'AUCUNE façon pour le faire rentrer dans un chargeur incompatible, car il pourrait se briser et causer des dommages corporels graves.** *Consulter le tableau en dernière page de ce manuel pour connaître les compatibilités entre chargeurs et blocs-piles.*
 - **Recharger les blocs-piles exclusivement dans des chargeurs DEWALT.**
 - **NE PAS** *éclabousser le bloc-piles ou l'immerger dans l'eau ou dans tout autre liquide.*
 - **Ne pas entreposer ou utiliser l'appareil et le bloc-piles en présence de températures ambiantes pouvant excéder 40 °C (104 °F) (comme dans des hangars ou des bâtiments métalliques l'été).** *Pour préserver leur durée de vie, entreposer les blocs-piles dans un endroit frais et sec.*
- REMARQUE :** ne pas mettre un bloc-piles dans un outil dont la gâchette est verrouillée en position de marche. Ne jamais bloquer l'interrupteur en position de MARCHÉ.

FRANÇAIS

- **Ne pas exposer le bloc-piles ou l'outil/l'appareil au feu ou à une température excessive.** L'exposition au feu ou à une température au-dessus de 130°C (265°F) pourrait entraîner une explosion.
- **Ne pas incinérer le bloc-piles même s'il est sévèrement endommagé ou complètement usagé, car il pourrait exploser et causer un incendie.** Pendant l'incinération des blocs-piles au lithium-ion, des vapeurs et matières toxiques sont dégagées.
- **En cas de contact du liquide de la pile avec la peau, rincer immédiatement au savon doux et à l'eau.** En cas de contact oculaire, rincer l'œil ouvert à l'eau claire une quinzaine de minutes ou jusqu'à ce que l'irritation cesse. Si des soins médicaux s'avéraient nécessaires, noter que l'électrolyte de la pile est composé d'un mélange de carbonates organiques liquides et de sels de lithium.
- **Le contenu des cellules d'une pile ouverte peut causer une irritation respiratoire.** En cas d'inhalation, exposer l'individu à l'air libre. Si les symptômes persistent, consulter un médecin.



AVERTISSEMENT : risques de brûlure. Le liquide de la pile peut s'enflammer s'il est exposé à des étincelles ou à une flamme.



AVERTISSEMENT : risques d'incendie. Ne jamais tenter d'ouvrir le bloc-piles pour quelque raison que ce soit. Si le boîtier du bloc-piles est fissuré ou endommagé, ne pas l'insérer dans un chargeur. Ne pas écraser, laisser tomber, ou endommager les blocs-piles. Ne pas utiliser un bloc-piles ou un chargeur qui a reçu un choc violent, ou si l'appareil est tombé, a été écrasé ou endommagé de quelque façon que ce soit (p. ex. percé par un clou, frappé d'un coup de marteau, piétiné). Les blocs-piles endommagés doivent être renvoyés à un centre de réparation pour y être recyclés.

Recommandations de stockage

1. Le lieu idéal de rangement est un lieu frais et sec, à l'abri de toute lumière solaire directe et de toute température excessive.
2. Pour un stockage prolongé, il est recommandé d'entreposer le bloc-piles pleinement chargé dans un lieu frais et sec, hors du chargeur pour optimiser les résultats.

REMARQUE : les blocs-piles ne devraient pas être entreposés complètement déchargés. Il sera nécessaire de recharger le bloc-piles avant réutilisation.

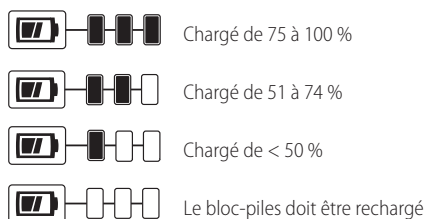
Instructions d'entretien du blocs-pile

Éliminer toute saleté ou graisse de la surface externe du blocs-pile à l'aide d'un chiffon ou d'une brosse non métallique douce. N'utiliser ni eau ni aucun nettoyant liquide.

Témoin de Charge du Bloc-Piles

Certains blocs-piles DEWALT possèdent un témoin de charge qui consiste en trois voyants Del indiquant le niveau de charge du bloc-piles.

Le témoin de charge indique approximativement le niveau de charge restant dans le bloc-piles en fonction des voyants suivants :



Pour activer le témoin de charge, maintenez appuyé le bouton du témoin de charge. Une combinaison des trois voyants Del s'allumera indiquant le niveau de charge. Lorsque le niveau de charge du bloc-pile atteint la limite minimale d'utilisation, le témoin de charge reste éteint et le bloc-piles doit être rechargé.

REMARQUE : le témoin de charge ne fait qu'indiquer le niveau de charge du bloc-piles. Il ne donne aucune indication quant au fonctionnement de l'outil. Son propre fonctionnement pourra aussi varier en fonction des composants produit, de la température et de l'application d'utilisation.

Pour plus d'informations quant au témoin de charge du bloc-piles, veuillez appeler le 1-800-4-DEWALT (1-800-433-9258) ou vous rendre sur notre site www.dewalt.com.

Transport



AVERTISSEMENT : risques d'incendie. Au moment de ranger ou transporter le bloc-piles, veiller à protéger ses bornes à découvert de tout objet métallique. Par exemple, éviter de placer le bloc-piles dans un tablier, une poche, une boîte à outils ou un tiroir, etc. contenant des objets tels que clous, vis, clés, etc. **Le fait de transporter des blocs-piles comporte des risques d'incendie, car les bornes des piles pourraient entrer, par inadvertance, en contact avec des objets conducteurs, tels que : clés, pièces de monnaie, outils ou autres.**

La réglementation sur les produits dangereux (Hazardous Material Regulations) du département américain des transports interdit, en fait, le transport des blocs-piles dans les commerces ou dans les avions dans les bagages de cabine. À MOINS qu'ils ne soient correctement protégés de tout court-circuit. Aussi lors du transport individuel de blocs-piles, s'assurer que leurs bornes sont bien protégées et isolées de tout matériau pouvant entrer en contact avec elles et provoquer un court-circuit. **REMARQUE :** il ne faut pas laisser de piles au li-ion dans les bagages enregistrés.

Le sceau SRPRC^{MD}

Le sceau SRPRC^{MD} (Société de recyclage des piles rechargeables du Canada) apposé sur une pile au nickel-cadmium, à hydrure métallique de nickel ou au lithium-ion (ou un



bloc-piles) indique que les coûts de recyclage de ces derniers en fin d'utilisation ont déjà été réglés par DEWALT. Dans certaines régions, la mise au rebut ou aux ordures municipales des piles au nickel-cadmium, à l'hydrure métallique de nickel ou au lithium-ion, est illégale ; le programme de l'Appel à Recycler^{MD} constitue donc une solution pratique et écologique.

Appel à Recycler Canada, Inc., en collaboration avec DEWALT et d'autres utilisateurs de piles, a mis sur pied de programme aux États-Unis et au Canada pour faciliter la collecte des piles au nickel-cadmium, à l'hydrure métallique de nickel ou au lithium-ion usagées. Aidez-nous à protéger l'environnement et à conserver nos ressources naturelles en renvoyant les piles au nickel-cadmium, à l'hydrure métallique de nickel ou au lithium-ion usagées à un centre de réparation autorisé DEWALT ou chez votre détaillant afin qu'elles y soient recyclées. On peut en outre se renseigner auprès d'un centre de recyclage local pour connaître d'autres sites les acceptant. SRPRC^{MD} est une marque déposée de l'Appel à Recycler Canada, Inc.

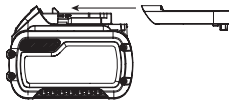
Expédition du bloc-piles DEWALT FLEXVOLT^{MC}

Le bloc-piles DEWALT FLEXVOLT^{MC} possède deux modes : **Utilisation et Expédition.**

Mode Utilisation : lorsque le bloc-piles DEWALT FLEXVOLT^{MC} est par lui-même ou dans un produit 20 V max*, il fonctionnera comme un bloc-piles de 20 V max*. Lorsque le bloc-piles FLEXVOLT^{MC} est dans un produit de 60 V max* ou 120 V max* (deux blocs-piles de 60 V max*), il fonctionnera comme un bloc-piles de 60 V max*.

Mode Expédition : lorsque

le capuchon est inséré sur le bloc-piles FLEXVOLT^{MC}, le bloc-piles est en mode Expédition. Les modules de cellules sont électriquement déconnectés du bloc le faisant correspondre à trois blocs-piles d'un wattheure (Wh) inférieur comparé à un bloc-piles de wattheure élevé. Ce passage à trois blocs-piles à un wattheure inférieur peut permettre au bloc-piles d'être exempté de suivre certaines directives d'expédition imposées sur les blocs-piles de wattheure supérieur.



L'étiquette du bloc-piles donne deux estimations de wattheures (se reporter à l'exemple). Selon comment le bloc-piles est expédié, l'estimation appropriée de wattheure doit être utilisée pour déterminer les modalités d'expédition lui correspondant. Si le capuchon d'expédition est utilisé, le bloc-piles sera considéré comme 3 blocs-piles au wattheure indiqué pour « Expédition ». S'il est expédié sans le capuchon ou dans un outil, le bloc-piles sera considéré comme un seul bloc-piles au wattheure indiqué à côté de « Utilisation ».

Exemple d'étiquetage d'utilisation et d'expédition

USE: 120 Wh Shipping: 3 x 40 Wh

Par exemple, le Wh de expédition pourra indiquer 3 x 40 Wh, ce qui correspond à 3 blocs-piles de 40 wattheures chacun. L'utilisation du Wh pourra indiquer 120 Wh (sous-entendu 1 bloc-piles).

Directives de sécurité importantes propres à tous les chargeurs de piles



AVERTISSEMENT : lisez toutes les consignes de sécurité, les instructions et les symboles d'avertissements du bloc-piles, du chargeur et du produit. Tout manquement aux avertissements et instructions pose des risques de décharges électriques, d'incendie et/ou de blessures graves.

- **NE PAS tenter de recharger le bloc-piles avec tout autre chargeur qu'une unité DEWALT.** Le chargeur DEWALT et son bloc-piles sont conçus spécialement pour fonctionner conjointement.
- **Ces chargeurs n'ont pas été conçus pour une utilisation autre que recharger les blocs-piles rechargeables DEWALT.** Toute autre utilisation comporte des risques d'incendie, de chocs électriques ou d'électrocution.
- **Protéger le chargeur de la pluie ou de la neige.**
- **Tirer sur la fiche plutôt que sur le cordon pour débrancher le chargeur.** Cela permet de réduire les risques d'endommager la fiche ou le cordon d'alimentation.
- **S'assurer que le cordon est protégé de manière à ce que personne ne marche ni ne trébuche dessus, ou à ce qu'il ne soit ni endommagé ni soumis à aucune tension.**
- **N'utiliser une rallonge qu'en cas de nécessité absolue.** L'utilisation d'une rallonge inadéquate comporte des risques d'incendie, de chocs électriques ou d'électrocution.
- **Pour utiliser un chargeur à l'extérieur, le placer dans un endroit sec et utiliser une rallonge conçue pour l'extérieur.** L'utilisation d'une rallonge conçue pour l'extérieur réduit les risques de chocs électriques.
- **Pour la sécurité de l'utilisateur, utiliser une rallonge de calibre adéquat (AWG, American Wire Gauge [calibrage américain normalisé des fils électriques]).** Plus le calibre est petit, et plus sa capacité est grande. Un calibre 16, par exemple, a une capacité supérieure à un calibre 18. L'usage d'une rallonge de calibre insuffisant causera une chute de tension qui entraînera perte de puissance et surchauffe. Si plus d'une rallonge est utilisée pour obtenir une certaine longueur, s'assurer que chaque rallonge présente au moins le calibre de fil minimum. Le tableau ci-dessous illustre les calibres à utiliser selon la longueur de rallonge et l'intensité nominale indiquée sur la plaque signalétique. En cas de doute, utiliser le calibre suivant. Plus le calibre est petit, plus la rallonge peut supporter de courant.

Calibre minimum pour les cordons d'alimentation

Volts		Longueur totale du cordon d'alimentation en mètre (pieds)			
120V		7,6 (25)	15,2 (50)	30,5 (100)	45,7 (150)
240V		15,2 (50)	30,5 (100)	61,0 (200)	91,4 (300)
Ampères		AWG			
Plus que	Pas plus que				
0	6	18	16	16	14
6	10	18	16	14	12
10	12	16	16	14	12
12	16	14	12	Non recommandé	

- **Ne poser aucun objet sur le chargeur. Ne pas mettre le chargeur sur une surface molle qui pourrait en bloquer la ventilation et provoquer une surchauffe interne.** Éloigner le chargeur de toute source de chaleur. Le chargeur dispose d'orifices d'aération sur le dessus et le dessous du boîtier.
- **Ne pas le faire fonctionner avec un cordon d'alimentation ou une fiche endommagée**—les remplacer immédiatement.
- **Ne pas utiliser le chargeur s'il a reçu un coup, fait une chute ou a été endommagé de quelque façon que ce soit.** Le ramener dans un centre de réparation agréé.
- **Ne pas démonter le chargeur. Pour tout service ou réparation, le rapporter dans un centre de réparation agréé.** Le fait de le réassembler de façon incorrecte comporte des risques de chocs électriques, d'électrocution et d'incendie.
- **Débrancher le chargeur du secteur avant tout entretien. Cela réduira tout risque de chocs électriques.** Le fait de retirer le bloc-piles ne réduira pas ces risques.
- **NE JAMAIS tenter de connecter 2 chargeurs ensemble.**
- **Le chargeur a été conçu pour être alimenté en courant électrique domestique standard de 120 volts. Ne pas tenter de l'utiliser avec toute autre tension.** Cela ne s'applique pas aux chargeurs de postes mobiles.

⚠ AVERTISSEMENT : risques de chocs électriques. Ne laisser aucun liquide pénétrer dans le chargeur, des chocs électriques pourraient en résulter.

⚠ AVERTISSEMENT : risques de brûlure. Ne submerger le bloc-piles dans aucun liquide et le protéger de toute infiltration de liquide. Ne jamais tenter d'ouvrir le bloc-piles pour quelque raison que ce soit. Si le boîtier plastique du bloc-piles est brisé ou fissuré, le retourner dans un centre de réparation pour y être recyclé.

⚠ ATTENTION : risques de brûlure. Pour réduire tout risque de dommages corporels, ne recharger que des blocs-piles rechargeables DeWALT out autre type de piles pourrait exploser et causer des dommages corporels et matériels.

⚠ ATTENTION : sous certaines conditions, lorsque le chargeur est connecté au bloc d'alimentation, des matériaux étrangers pourraient court-circuiter le chargeur. Les corps étrangers conducteurs tels que

(mais pas limité à) poussières de rectification, débris métalliques, laine d'acier, feuilles d'aluminium, ou toute accumulation de particules métalliques doivent être maintenus à distance des orifices du chargeur. Débrancher systématiquement le chargeur lorsque le bloc-piles n'y est pas inséré. Débrancher systématiquement le chargeur avant tout entretien.

Chargement du bloc-piles

REMARQUE : afin d'assurer la performance et la vie maximales des blocs-piles au lithium-ion, chargez complètement le bloc-pile avant la première utilisation.

1. Branchez le chargeur dans une prise appropriée avant d'insérer le bloc-piles.
2. Branchez le chargeur et le bloc-piles en vous assurant que le bloc-piles est bien mis en place. Le voyant rouge (chargement) clignotera sans cesse indiquant que le processus de chargement est commencé.
3. La fin de la recharge sera indiquée par le voyant qui demeurera allumé de façon continue. Le bloc-piles est complètement chargé et peut être retiré utilisé à ce moment ou laissé dans le chargeur.

REMARQUE : pour retirer le bloc-piles, on doit appuyer sur le bouton de libération du bloc-piles sur certains chargeurs

Indicateurs

	Bloc-piles en Cours de Chargement		
	Bloc-piles Chargé		
	Suspension de Charge Contre le Chaud/Froid*		

*DCB107, DCB112, DCB113, DCB115, DCB118, DCB132:

le voyant rouge ne cessera de clignoter, mais un voyant jaune restera allumé pendant cette opération. Lorsque le bloc-piles aura repris une température appropriée, le voyant jaune s'éteindra et le chargeur reprendra sa procédure de charge.

Le chargeur ne pourront recharger des blocs-piles défectueux. Le chargeur qui refuse de s'allumer peut indiquer un problème avec le chargeur ou le bloc-piles défectueuse.

REMARQUE : si le chargeur ne se met pas en fonction, faites tester le chargeur et le bloc-piles à un centre de service autorisé.

Laisser le Bloc-Piles dans le Chargeur

Le chargeur et son bloc-piles peuvent rester connectés, le voyant du chargeur affichant alors bloc-piles chargé.

Fonction de suspension de charge contre le chaud/froid

Lorsque le chargeur détecte un bloc-piles trop chaud ou trop froid, il démarre automatiquement la fonction de suspension de charge contre le chaud, suspendant le chargement jusqu'à ce que le bloc-piles ait repris une température appropriée. Le chargeur ensuite se remettra automatiquement en mode de chargement.

Cette caractéristique assure aux blocs-piles une durée de vie maximale.

Un bloc-piles froid peut recharger moins vite qu'un bloc-piles chaud.

Le chargeur DCB118 est équipé d'un ventilateur interne destiné à refroidir le bloc-piles. Le ventilateur se mettra automatiquement en marche chaque fois que le bloc-piles aura besoin de se refroidir.

N'utilisez jamais le chargeur si le ventilateur ne fonctionne pas correctement ou si ses fentes d'aération sont bloquées. Protégez systématiquement l'intérieur du chargeur de tout objet étranger.

Système de protection électronique

Les appareils au Li-Ion sont équipés d'un système électronique de protection pour protéger les blocs-piles de toute surcharge, surchauffe ou fuite importante.

L'appareil s'arrêtera automatiquement dès que le système électronique de protection sera activé. Si c'était le cas, placez le bloc-piles au lithium-ion sur son chargeur jusqu'à ce qu'il soit complètement rechargé.

Remarques importantes concernant le chargement

1. Pour augmenter la durée de vie du bloc-piles et optimiser son rendement, le recharger à une température ambiante de 18 °C à 24 °C (65 °F à 75 °F). NE PAS charger lorsque le bloc-piles est en dessous de +4,5 °C (+40 °F) ou au-dessus de +40 °C (+104 °F). C'est important pour prévenir tout dommage sérieux au bloc-piles.
2. Le chargeur et son bloc-piles peuvent devenir chauds au toucher pendant la charge. C'est normal et ne représente en aucun cas une défaillance du produit. Pour faciliter le refroidissement du bloc-piles après utilisation, évitez de laisser le chargeur ou le bloc-piles dans un local où la température ambiante est élevée comme dans un hangar métallique ou une remorque non isolée.
3. Si le bloc-piles ne se recharge pas correctement :
 - a. Vérifier le bon fonctionnement de la prise en y branchant une lampe ou tout autre appareil électrique.
 - b. Vérifier que la prise n'est pas contrôlée par un interrupteur qui coupe le courant lorsqu'on éteint les lumières.
 - c. Déplacer le chargeur et le bloc-piles dans un local où la température ambiante se trouve entre environ 18 °C et 24 °C (65 °F et 75 °F).
 - d. Si le problème persiste, amener l'outil, le bloc-piles et son chargeur dans un centre de réparation local.
4. Recharger le bloc-piles lorsqu'il ne produit plus assez de puissance pour effectuer un travail qu'il faisait facilement auparavant. NE PAS CONTINUER à l'utiliser dans ces conditions. Suivre la procédure de charge. Si nécessaire, il est aussi possible de recharger

un bloc-piles partiellement déchargé sans effet nuisible sur le bloc-piles.

5. Les corps étrangers conducteurs tels que (mais pas limité à) poussières de rectification, débris métalliques, laine d'acier, feuilles d'aluminium, ou toute accumulation de particules métalliques doivent être maintenus à distance des orifices du chargeur. Débrancher systématiquement le chargeur lorsque le bloc-piles n'y est pas inséré. Débrancher systématiquement le chargeur avant tout entretien.
6. Ne pas congeler ou immerger le chargeur dans l'eau ou tout autre liquide.

Instructions d'entretien du chargeur



AVERTISSEMENT : *risques de chocs électriques.*

Débrancher le chargeur de la prise de courant alternatif avant tout entretien. Éliminer toute saleté ou graisse de la surface externe du chargeur à l'aide d'un chiffon ou d'une brosse non métallique douce. N'utiliser ni eau ni aucun nettoyeur liquide.

Installation murale

DCB107, DCB112, DCB113, DCB115, DCB118, DCB132

Ces chargeurs ont été conçus pour une installation murale ou pour être posés sur une table ou une surface de travail. Pour une fixation murale, installez le chargeur à proximité d'une prise électrique, et à l'écart de coins ou de toute autre obstruction au passage de l'air. Utilisez l'arrière du chargeur pour marquer l'emplacement des vis de montage sur le mur. Fixez soigneusement le chargeur à l'aide de vis autoforeuses (vendues séparément) d'au moins 25,4 mm (1 po) de long, et de diamètre de tête de 7–9 mm (0,28–0,35 po), que vous visserez dans le bois en laissant une longueur optimale d'environ 5,5 mm (7/32 po) exposée. Alignez les orifices à l'arrière du chargeur sur les vis exposées et insérez à fond ces dernières dans les orifices.

Usage prévu

Cette ponceuse pour feuille de 1/4 est conçue pour un usage professionnel.

NE PAS les utiliser en milieu ambiant humide ou en présence de liquides ou de gaz inflammables.

NE PAS le laisser à la portée des enfants. Une supervision est nécessaire auprès de tout utilisateur non expérimenté.

ASSEMBLAGE ET AJUSTEMENTS



AVERTISSEMENT : *afin de réduire le risque de blessure corporelle, éteignez l'appareil et retirez le bloc-piles avant d'effectuer tout ajustement ou de retirer/installer des pièces ou des accessoires. Un déclenchement accidentel du démarrage peut causer des blessures.*

Installation du papier abrasif (Fig. B–D)

Votre ponceuse est conçue pour utiliser du papier abrasif de 1/4 de feuille. Le papier abrasif de 1/4 de feuille mesure 114,3 mm x 139,7 mm (4 1/2 po x 5 1/2 po). Ce format de papier peut être fait en :

FRANÇAIS

- Coupant du papier abrasif pleine grandeur 228,6 mm x 279,4 mm (9 po x 11 po) en feuille de 1/4 de 114,3 mm x 139,7 mm (4 1/2 po x 5 1/2 po).
- Coupant la moitié de la feuille de papier abrasif en deux feuilles de 114,3 mm x 139,7 mm (4 1/2 po x 5 1/2 po).
- Le papier abrasif 114,3 mm x 139,7 mm (4 1/2 po x 5 1/2 po) coupé au préalable est disponibles à un coût supplémentaire.

Fixer des feuilles abrasives régulières (Fig. B-D)

Pour assurer un bon fonctionnement, veuillez fixer le papier abrasif dans l'appareil comme suit :

- Assouplissez le papier abrasif raide en le tirant sur le bord d'une table à 90° ou un autre bord droit, comme illustré dans la Figure B. Assurez-vous de ramollir surtout les bords à pincer.
- Relâchez la pince de fixation arrière **14** en dégageant les leviers de fixation latéraux **1** et dégagez-les des pattes **15** de la semelle/du tampon **3**.
- Désengagez la pince du papier avant **10** (Fig. D) en appliquant et maintenant de la pression le bouton de la pince avant **16** tout en insérant le bord de 114,3 mm (4 1/2 po) du papier abrasif sous la pince du papier avant **10** jusqu'à ce qu'il atteigne les nervures limitant le papier **17**. Relâchez la pince du papier avant afin de fixer l'avant du papier abrasif.
- Étirez le papier abrasif sur la plaque/le patin de base **3** et commencez à faire pivoter la pince du papier arrière **14** jusqu'à ce sa position de verrouillage. Verrouillez un levier de la pince latérale **1** en la plaçant derrière la languette sur la plaque/le patin de base, puis répétez avec le deuxième levier de la pince latérale.
- Si vous utilisez la fonction de dépoussiérage, perforez le papier abrasif (consultez **Perforation du papier**).

Fig. B

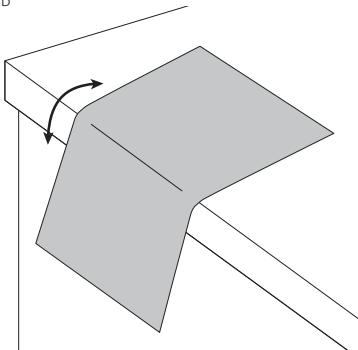


Fig. C

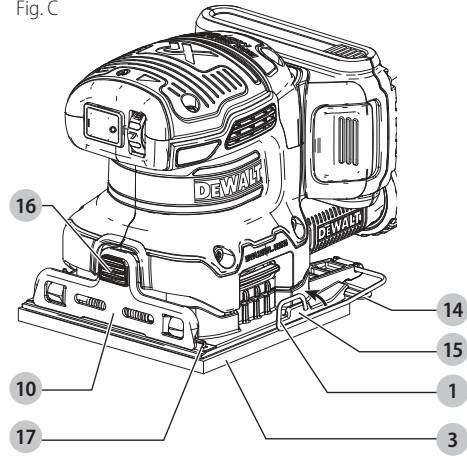
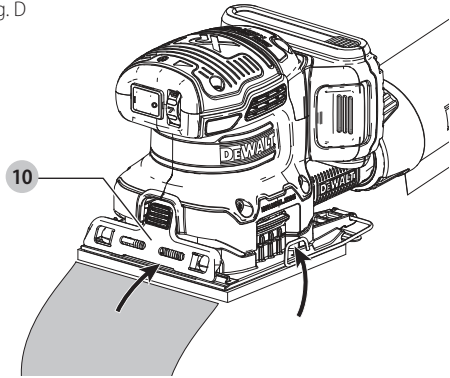


Fig. D



Perforation du papier (Fig. E, F)

⚠ ATTENTION: éteignez et retirez le bloc-piles de l'outil avant d'effectuer tout ajustement ou de retirer ou d'installer des fixations ou des accessoires. Assurez-vous que l'interrupteur est en position OFF.

Un poinçon du papier **11** est fourni avec votre ponceuse pour vous laisser perforer le papier abrasif régulier afin de rendre le dépoussiérage possible.

Pour perforer votre papier abrasif

Installez le papier abrasif sur l'outil comme indiqué dans le guide. Lorsque la ponceuse est éteinte et batterie retirée, placez la plaque à poinçon sur le papier de sorte que les bords de la plaque à poinçon soient en contact avec deux des bords du papier abrasif, tout comme cela est indiqué. Appuyez la plaque à poinçon sur le tampon de sorte que les 8 pointes pénètrent dans le papier, comme cela est indiqué à la Figure F. (Appuyez le plus possible la plaque à poinçon contre le tampon.) Enlevez la plaque à poinçon et le papier est prêt.

Une autre façon de perforer le papier est de bien fixer la plaque à poinçon sur une surface de travail adéquate. Il y a deux orifices qui sont prévus à cet effet dans la plaque

à poinçon. Utilisez des vis à tête plate n° 8. Appuyez la ponceuse (avec le papier en place) vers le bas sur la plaque à poinçon.

Fig. E

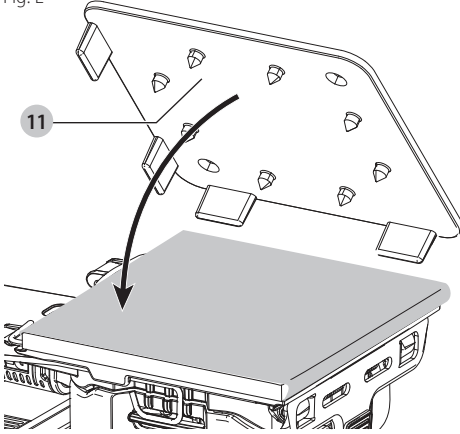
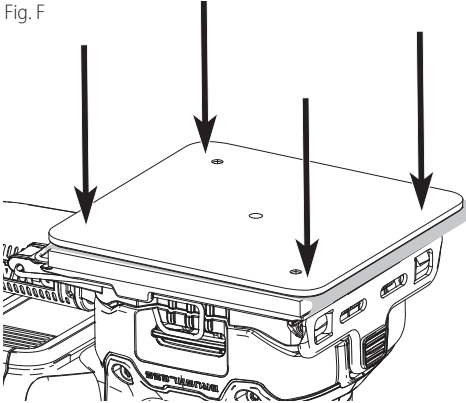


Fig. F



Interrupteur (Fig. A)

Allumez l'appareil en appuyant sur le côté de l'interrupteur qui est protégé contre la poussière **5**, ce qui correspond au symbole « I ». Allumez l'appareil en appuyant sur le côté de l'interrupteur qui correspond au symbole « O ».

Bouton de réglage de la vitesse (Fig. A)

Le bouton de réglage de la vitesse **2**, (Fig. A), permet d'accélérer ou ralentir la vitesse de 12000–14000 tours par minute. La vitesse optimale de chaque application est une question de préférence personnelle. Généralement, il est conseillé d'utiliser une vitesse élevée sur des matériaux durs et basse sur des matériaux plus tendres. L'érosion du matériau augmente avec la vitesse.

FONCTIONNEMENT

⚠ AVERTISSEMENT : afin de réduire le risque de blessure corporelle, éteignez l'appareil et retirez le bloc-piles avant d'effectuer tout ajustement ou de retirer/installer des pièces ou

des accessoires. Un déclenchement accidentel du démarrage peut causer des blessures.

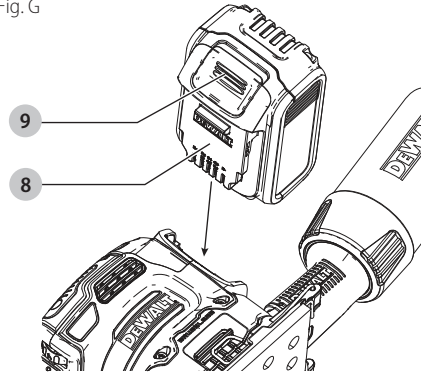
Installation et retrait du bloc-piles (Fig. G)

REMARQUE : pour des résultats optimaux, s'assurer que le bloc-piles est complètement chargé.

Pour installer le bloc-piles **8** dans l'outil, alignez-le avec les glissières à l'intérieur de l'outil. Glissez-le jusqu'à ce que le bloc-piles soit solidement en place dans l'outil et assurez-vous qu'il ne se dégage pas.

Pour retirer le bloc-piles de l'outil, poussez sur le bouton de libération **9** et tirez fermement le bloc-piles hors de la poignée de l'outil. Insérez-le dans son chargeur comme décrit dans la section appropriée de ce manuel.

Fig. G



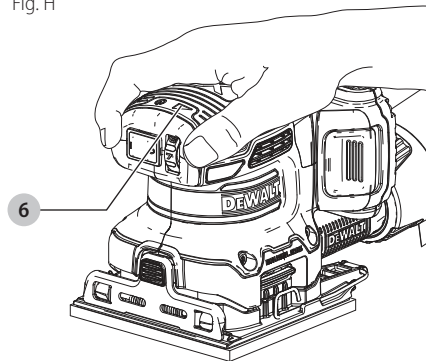
Position correcte des mains (Fig. H)

⚠ AVERTISSEMENT : pour réduire tout risque de dommages corporels graves, adopter **SYSTÉMATIQUEMENT** la position des mains illustrée.

⚠ AVERTISSEMENT : pour réduire tout risque de dommages corporels graves, maintenir **SYSTÉMATIQUEMENT** l'outil fermement pour anticiper toute réaction soudaine.

Une position des mains adéquate nécessite une main sur la poignée principale **6**.

Fig. H



Collecte de poussière (Fig. A, I)

⚠ AVERTISSEMENT : la poussière de ponçage recueillie des revêtements de surfaces poncés (polyuréthane, huile de lin, etc.) peut s'enflammer dans le sac de poussière de ponceuse ou ailleurs et causer un incendie. Afin de réduire le risque, videz souvent le sac et suivez strictement les instructions de la ponceuse et du fabricant du revêtement.

Votre ponceuse a un conduit de dépoussiérage 7 qui permet de connecter un sac de poussière 4 fourni ou un système d'aspiration d'atelier. Le goulot d'évacuation incorporé utilise une connexion AirLock de DEWALT qui est compatible avec l'extracteur de poussière DEWALT.

Pour installer le sac à poussière

1. Pendant que vous tenez la ponceuse, ajustez le collier du sac de poussière 12 sur le conduit de dépoussiérage 7 comme illustré dans la Figure I.
2. Tournez le col 12 dans le sens des aiguilles d'une montre pour verrouiller le sac à poussière 4.

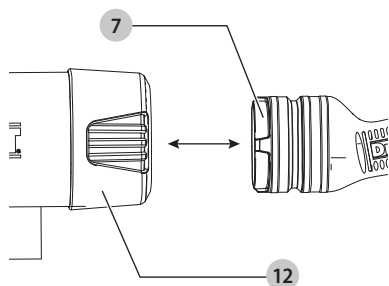
Pour vider le sac à poussière

1. En tenant la ponceuse en main, tournez le col 12 dans le sens inverse des aiguilles d'une montre pour déverrouiller le sac à poussière 4.
2. Enlevez le sac à poussière de la ponceuse et agitez doucement ou tapotez sur le sac à poussière pour le vider.
3. Posez à nouveau le sac à poussière en place au goulot d'évacuation et verrouillez en tournant le col du sac à poussière dans le sens des aiguilles d'une montre.

Vous remarquerez que vous n'aurez pas éliminé toute la poussière du sac. Cela n'affectera pas le fonctionnement de la ponceuse, mais réduira la capacité d'extraction de poussière. Pour récupérer toute l'efficacité du sac à poussière, appuyez sur le ressort intérieur du sac lorsque vous le videz et heurtez délicatement le col du sac sur les côtés de la poubelle ou du conteneur à poussière.

⚠ ATTENTION: Il ne faut jamais faire fonctionner ces outils sans le sac à poussière. L'échappement de poussière de ponçage peut provoquer des problèmes respiratoires.

Fig. I



Fonctionnement de lijadora (Fig. H)

⚠ AVERTISSEMENT : laissez l'outil fonctionner à son propre rythme. Ne pas surcharger.

AVIS : cette ponceuse ne doit pas être utilisée sur des cloisons sèches.

Pour utiliser la ponceuse, empoignez-la comme cela est indiqué à la Figure H et mettez-la en marche. Déplacez-la par des mouvements longs et balayés sur la surface à poncer en laissant la ponceuse faire le travail pour vous. Si vous appuyez sur l'outil pendant le ponçage, vous ralentirez en fait le travail et obtiendrez une moins bonne surface. Vérifiez souvent la qualité du travail, cette ponceuse peut éliminer rapidement du matériel, surtout du papier brut. Cette ponceuse est conçue pour poncer à ras sur trois côtés dans des coins et sa petite taille et sa légèreté la rende idéale pour le travail en contre-haut.

L'action orbitale de cette ponceuse vous permet de poncer dans le sens du grain ou dans n'importe quel angle pour la plupart des travaux de ponçage. À l'étape finale du ponçage, comme nous le disions auparavant, on obtiendra une meilleure finition en ponçant dans le sens du grain du bois.

Pour produire la meilleure finition possible, commencez par du papier abrasif à gros grains. Un ponçage final avec un morceau de papier abrasif fin usé produira une finition d'allure professionnelle qui, dans bien des cas, n'aura pas du tout besoin d'aucun ponçage à la main. La vitesse à laquelle le sac de poussière se remplira variera selon le type de matériau étant poncé et la grosseur des grains du papier abrasif. Pour les meilleurs résultats, videz souvent le sac et vérifiez l'ouverture pour voir s'il y a une obstruction.

Lorsque vous ponchez des surfaces peinturées, vous constaterez que le papier abrasif se remplit et s'obstrue avec la peinture. Pour obtenir de meilleurs résultats, enlevez peinture avant de poncer avec un pistolet thermique. SUIVEZ TOUTES LES CONSIGNES DE SÉCURITÉ DU MODE D'EMPLOI DU PISTOLET THERMIQUE.

MAINTENANCE

⚠ AVERTISSEMENT : afin de réduire le risque de blessure corporelle, éteignez l'appareil et retirez le bloc-piles avant d'effectuer tout ajustement ou de retirer/installer des pièces ou des accessoires. Un déclenchement accidentel du démarrage peut causer des blessures.

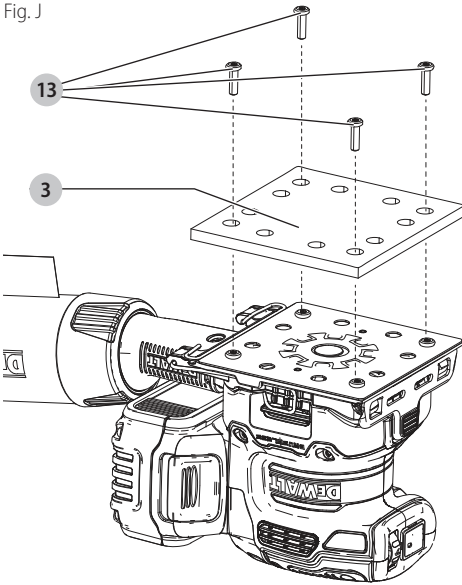
Remplacer le patin de ponçage (Fig. J)

Le patin de ponçage 3 est conçu pour être une pièce consommable et il aura parfois besoin d'être remplacé. Le patin de ponçage doit être remplacé lorsque les signes d'usure deviennent évidents. Les patins de ponçage sont disponibles à un coût supplémentaire chez votre détaillant local ou dans un centre de services DEWALT autorisé.

1. En tenant solidement la base, retirez les quatre vis 13 du bas du patin.
2. Retirez le tampon 3.

3. Réinstallez le tampon. Réinsérez les quatre vis **13**.
Attention à ne pas trop serrer les vis.

Fig. J



Entretien des outils

- Conservez votre appareil aussi propre que possible en l'essuyant avec un linge propre et en y projetant de l'air après toutes les 5 heures de travail.
- N'utilisez pas de produits chimiques agressifs ou des solvants pour nettoyer l'outil. Ces produits chimiques peuvent sérieusement endommager les surfaces plastiques.
- Évitez de surcharger la ponceuse. La surcharge entraînera une réduction considérable de la vitesse et de l'efficacité et l'appareil chauffera. Si cela se produit, faites fonctionner la ponceuse « à vide » pendant une ou deux minutes.

Nettoyage

⚠ AVERTISSEMENT : enlever les saletés et la poussière hors des évents au moyen d'air comprimé propre et sec, au moins une fois par semaine. Pour minimiser le risque de blessure aux yeux, toujours porter une protection oculaire conforme à la norme ANSI Z87.1 lors du nettoyage.

⚠ AVERTISSEMENT : ne jamais utiliser de solvants ni d'autres produits chimiques puissants pour nettoyer les pièces non métalliques de l'outil. Ces produits chimiques peuvent affaiblir les matériaux de plastique utilisés dans ces pièces. Utiliser un chiffon humecté uniquement d'eau et de savon doux. Ne jamais laisser de liquide pénétrer dans l'outil et n'immerger aucune partie de l'outil dans un liquide.

Accessoires

⚠ AVERTISSEMENT : puisque les accessoires autres que ceux offerts par DEWALT n'ont pas été testés avec ce produit, leur utilisation pourrait s'avérer dangereuse. Pour réduire le risque de blessures, utiliser exclusivement les accessoires DEWALT recommandés avec le présent produit.

Les accessoires recommandés pour cet outil sont vendus séparément au centre de service de votre région. Pour obtenir de l'aide concernant l'achat d'un accessoire, communiquer avec DEWALT, composer le 1 800 433-9258 (1 800 4-DEWALT) ou visiter notre site Web : www.dewalt.com.

L'outil est muni d'un capteur de poussière qui convient aux piles 5 Ah et moins.

Un capteur de poussière peut être acheté comme pièce de rechange (N684701) pour les piles 6 Ah et plus.

Réparations

Le chargeur et le bloc-piles ne sont pas réparables. Le chargeur ou le bloc-piles ne comportent aucune pièce réparable.

⚠ AVERTISSEMENT : pour assurer la SÉCURITÉ et la FIABILITÉ du produit, les réparations, l'entretien et les réglages doivent être réalisés (cela comprend l'inspection et le remplacement du balai, le cas échéant) par un centre de réparation en usine DEWALT ou un centre de réparation agréé DEWALT. Toujours utiliser des pièces de rechange identiques.

Registre en ligne

Merci pour votre achat. Enregistrez dès maintenant votre produit :

- **RÉPARATIONS SOUS GARANTIE :** cette carte remplie vous permettra de vous prévaloir du service de réparations sous garantie de façon plus efficace dans le cas d'un problème avec le produit.
- **CONFIRMATION DE PROPRIÉTÉ :** en cas de perte provoquée par un incendie, une inondation ou un vol, cette preuve de propriété vous servira de preuve auprès de votre compagnie d'assurances.
- **SÉCURITÉ :** l'enregistrement de votre produit nous permettra de communiquer avec vous dans l'éventualité peu probable de l'envoi d'un avis de sécurité régi par la loi fédérale américaine de la protection des consommateurs.
- Registre en ligne à www.dewalt.com

Garantie limitée de trois ans

DEWALT réparera ou remplacera sans frais tout appareil défectueux pour cause de défaut de matériau ou de main-d'œuvre sur une période de trois ans à partir de la date d'achat de l'outil (deux ans pour les bloc-piles). Cette garantie ne couvre pas les pièces en panne pour cause d'abus ou d'usure normale de l'outil. Pour plus de détails au sujet de la couverture de la garantie et l'information de réparation sous garantie, visitez www.dewalt.com ou

FRANÇAIS

composez le 1-800-4-DEWALT (1-800-433-9258). Cette garantie ne s'applique pas aux accessoires ou dommages causés par des réparations effectuées ou tentées par d'autres. CETTE GARANTIE REMPLACE TOUTES LES AUTRES, INCLUANT LES GARANTIES IMPLICITES DE LA QUALITÉ MARCHANDE ET L'APTITUDE POUR UN BUT PARTICULIER, ET EXCLUT TOUS LES DOMMAGES ACCIDENTELS OU CONSÉCUTIFS. Certaines provinces ne permettent pas de limitation sur la durée de la garantie implicite ou l'exclusion ou la limitation de dommages indirects, alors ces limitations peuvent ne pas s'appliquer à vous. Cette garantie vous donne des droits légaux particuliers et vous pouvez avoir d'autres droits qui varient selon les états ou les provinces. En plus de la présente garantie, les outils DEWALT sont couverts par notre

CONTRAT D'ENTRETIEN GRATUIT D'UN AN

DEWALT entretiendra l'outil et remplacera les pièces usées au cours d'une utilisation normale et ce, gratuitement, pendant une période d'un an à compter de la date d'achat.

CONTRAT D'ENTRETIEN GRATUIT DE DEUX ANS SUR LES BLOC-PILES DEWALT

DC9071, DC9091, DC9096, DC9182, DC9280, DC9360,
DCB120, DCB122, DCB124, DCB127, DCB201, DCB203BT,
DCB207, DCB361

CONTRAT D'ENTRETIEN GRATUIT DE TROIS ANS SUR LES BLOC-PILES DEWALT

DCB200, DCB203, DCB204, DCB204BT, DCB205, DCB205BT,
DCB206, DCB230, DCB606, DCB609, DCB612

REMARQUE : la garantie de se produit sera annulée si le bloc-piles a été altéré de quelque façon que ce soit. DEWALT ne peut être tenu responsable de tout dommage corporel causé par l'altération du produit et pourra poursuivre toute fraude en matière de garantie dans toute l'étendue permise par la loi.

GARANTIE DE REMBOURSEMENT DE 90 JOURS

Si l'acheteur n'est pas entièrement satisfait, pour quelque raison que ce soit, du rendement de l'outil électrique ou de la cloueuse DEWALT, celui-ci peut le retourner, accompagné d'un reçu, dans les 90 jours à compter de la date d'achat pour obtenir un remboursement intégral, sans aucun problème.

AMÉRIQUE LATINE : cette garantie ne s'applique aux produits vendus en Amérique latine. Pour ceux-ci, veuillez consulter les informations relatives à la garantie spécifique présente dans l'emballage, appeler l'entreprise locale ou consulter le site Web pour les informations relatives à cette garantie.

REMPLACEMENT GRATUIT DES ÉTIQUETTES

D'AVERTISSEMENT : si les étiquettes d'avertissement deviennent illisibles ou sont manquantes, composer le 1-800-4-DEWALT (1-800-433-9258) pour en obtenir le remplacement gratuit.

Definiciones: Símbolos y Palabras de Alerta de Seguridad

Este manual de instrucciones utiliza los siguientes símbolos y palabras de alerta de seguridad para alertarle de situaciones peligrosas y del riesgo de lesiones corporales o daños materiales.

! **PELIGRO:** Indica una situación de peligro inminente que, si no se evita, provocará **la muerte o lesiones graves**.

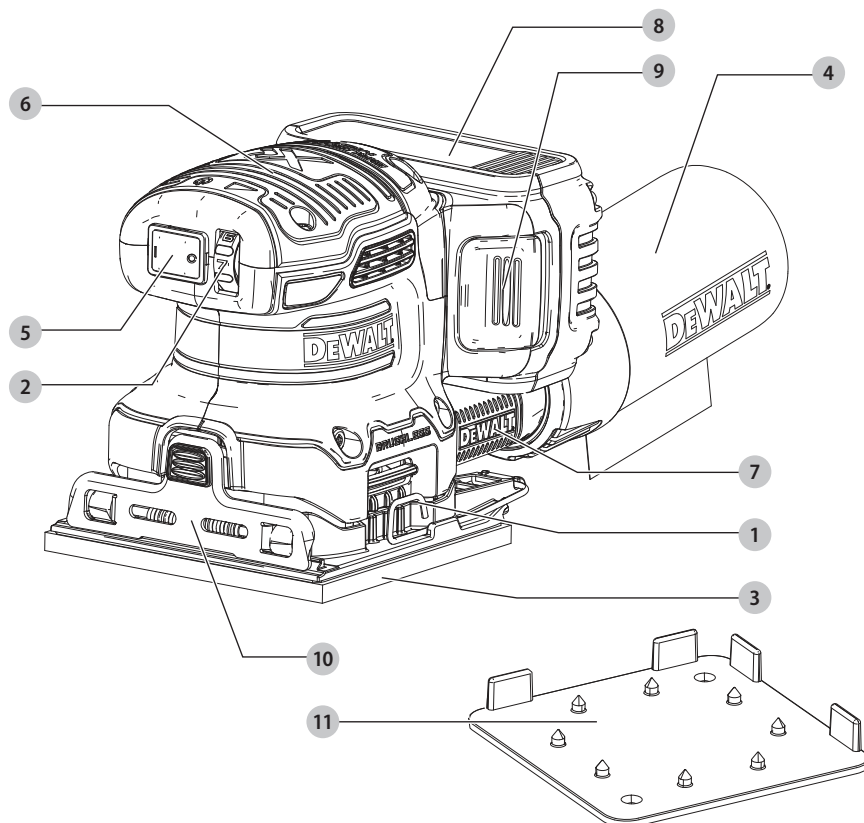
! **ADVERTENCIA:** Indica una situación de peligro potencial que, si no se evita, **podría provocar la muerte o lesiones graves**.

! **ATENCIÓN:** Indica una situación de peligro potencial que, si no se evita, **posiblemente provocaría lesiones leves o moderadas**.

! (Utilizado sin palabras) indica un mensaje de seguridad relacionado.

AVISO: Se refiere a una práctica **no relacionada a lesiones corporales** que de no evitarse **puede resultar en daños a la propiedad**.

Fig. A



- | | |
|------------------------------------|----------------------------|
| 1 Palanca | 6 Agarradera principal |
| 2 Carátula de control de velocidad | 7 Ducto de polvo removible |
| 3 Almohadilla de lijado | 8 Batería |
| 4 Bolsa de polvo | 9 Botón de liberación |
| 5 Interruptor encendido/apagado | 10 Abrazadera de papel |
| | 11 Punzón de papel |

! **ADVERTENCIA:** Lea todas las advertencias de seguridad e instrucciones. El incumplimiento de las advertencias e instrucciones puede provocar descargas eléctricas, incendios o lesiones graves.

! **ADVERTENCIA:** Para reducir el riesgo de lesiones, lea el manual de instrucciones.

Si tiene alguna duda o algún comentario sobre ésta u otra herramienta DeWALT llámenos al número gratuito: (1-800-433-9258).

Lijadora de Hoja de un Cuarto sin Escobillas 20 V Máx. DCW200

ADVERTENCIAS GENERALES DE SEGURIDAD PARA HERRAMIENTAS ELÉCTRICAS



ADVERTENCIA: Lea todas las advertencias de seguridad, instrucciones, ilustraciones y especificaciones incluidas con esta herramienta eléctrica. La falla en seguir todas las instrucciones siguientes puede resultar en descarga eléctrica, incendio y/o lesiones serias.

CONSERVE TODAS LAS ADVERTENCIAS E INSTRUCCIONES PARA FUTURAS CONSULTAS

El término "herramienta eléctrica" incluido en las advertencias hace referencia a las herramientas eléctricas operadas con corriente (con cable eléctrico) o a las herramientas eléctricas operadas con baterías (inalámbricas).

1) Seguridad en el Área de Trabajo

- Mantenga el área de trabajo limpia y bien iluminada.** Las áreas abarrotadas y oscuras propician accidentes.
- No opere las herramientas eléctricas en atmósferas explosivas, como ambientes donde haya polvo, gases o líquidos inflamables.** Las herramientas eléctricas originan chispas que pueden encender el polvo o los vapores.
- Mantenga alejados a los niños y a los espectadores de la herramienta eléctrica en funcionamiento.** Las distracciones pueden provocar la pérdida de control.

2) Seguridad Eléctrica

- Los enchufes de la herramienta eléctrica deben adaptarse al tomacorriente. Nunca modifique el enchufe de ninguna manera. No utilice ningún enchufe adaptador con herramientas eléctricas con conexión a tierra.** Los enchufes no modificados y que se adaptan a los tomacorrientes reducirán el riesgo de descarga eléctrica.
- Evite el contacto corporal con superficies con descargas a tierra como, por ejemplo, tuberías, radiadores, cocinas eléctricas y refrigeradores.** Existe mayor riesgo de descarga eléctrica si su cuerpo está puesto a tierra.
- No exponga las herramientas eléctricas a la lluvia o a condiciones de humedad.** Si entra agua a una herramienta eléctrica, aumentará el riesgo de descarga eléctrica.
- No maltrate el cable. Nunca utilice el cable para transportar, tirar o desenchufar la herramienta eléctrica. Mantenga el cable alejado del calor, el aceite, los bordes filosos y las piezas móviles.** Los cables dañados o enredados aumentan el riesgo de descarga eléctrica.

- Al operar una herramienta eléctrica en el exterior, utilice un cable prolongador adecuado para tal uso.** Utilice un cable adecuado para uso en exteriores a fin de reducir el riesgo de descarga eléctrica.
- Si el uso de una herramienta eléctrica en un lugar húmedo es imposible de evitar, utilice un suministro protegido con un interruptor de circuito por falla a tierra (GFCI).** El uso de un GFCI reduce el riesgo de descargas eléctricas.

3) Seguridad Personal

- Permanezca alerta, controle lo que está haciendo y utilice el sentido común cuando emplee una herramienta eléctrica. No utilice una herramienta eléctrica si está cansado o bajo el efecto de drogas, alcohol o medicamentos.** Un momento de descuido mientras se opera una herramienta eléctrica puede provocar lesiones personales graves.
- Utilice equipos de protección personal. Siempre utilice protección para los ojos.** En las condiciones adecuadas, el uso de equipos de protección, como máscaras para polvo, calzado de seguridad antideslizante, cascos o protección auditiva, reducirá las lesiones personales.
- Evite el encendido por accidente. Asegúrese de que el interruptor esté en la posición de apagado antes de conectarlo a la fuente de energía o paquete de baterías, o antes de levantar o transportar la herramienta.** Transportar herramientas eléctricas con el dedo apoyado en el interruptor o enchufar herramientas eléctricas con el interruptor en la posición de encendido puede propiciar accidentes.
- Retire la clavija de ajuste o la llave de tuercas antes de encender la herramienta eléctrica.** Una llave de tuercas o una clavija de ajuste que quede conectada a una pieza giratoria de la herramienta eléctrica puede provocar lesiones personales.
- No se estire. Conserve el equilibrio y párese adecuadamente en todo momento.** Esto permite un mejor control de la herramienta eléctrica en situaciones inesperadas.
- Use la vestimenta adecuada. No use ropas holgadas ni joyas. Mantenga el cabello, la ropa y los guantes alejados de las piezas en movimiento.** Las ropas holgadas, las joyas o el cabello largo pueden quedar atrapados en las piezas en movimiento.
- Si se suministran dispositivos para la conexión de accesorios con fines de recolección y extracción de polvo, asegúrese de que estén conectados y que se utilicen correctamente.** El uso de dispositivos de recolección de polvo puede reducir los peligros relacionados con el polvo.

- h) **No permita que la familiaridad obtenida a partir del uso frecuente de herramientas le permitan volverse descuidado e ignorar los principios de seguridad de la herramienta.** Una acción descuidada puede causar lesiones severas en una fracción de segundo.

4) Uso y Mantenimiento de la Herramienta Eléctrica

- a) **No fuerce la herramienta eléctrica. Utilice la herramienta eléctrica correcta para el trabajo que realizará.** Si se la utiliza a la velocidad para la que fue diseñada, la herramienta eléctrica correcta permite trabajar mejor y de manera más segura.
- b) **No utilice la herramienta eléctrica si no puede encenderla o apagarla con el interruptor.** Toda herramienta eléctrica que no pueda ser controlada mediante el interruptor es peligrosa y debe repararse.
- c) **Desconecte el enchufe de la fuente de alimentación y/o retire la batería, o paquete si es desmontable, de la herramienta eléctrica antes de realizar cualquier ajuste, cambiar accesorios o almacenar herramientas eléctricas.** Estas medidas de seguridad preventivas reducen el riesgo de encender la herramienta eléctrica en forma accidental.
- d) **Guarde la herramienta eléctrica que no esté en uso fuera del alcance de los niños y no permita que otras personas no familiarizadas con ella o con estas instrucciones operen la herramienta.** Las herramientas eléctricas son peligrosas si son operadas por usuarios no capacitados.
- e) **Dé mantenimiento a las herramientas eléctricas y accesorios.** Revise que no haya piezas en movimiento mal alineadas o trabadas, piezas rotas o cualquier otra situación que pueda afectar el funcionamiento de la herramienta eléctrica. Si encuentra daños, haga reparar la herramienta eléctrica antes de utilizarla. Se producen muchos accidentes a causa de las herramientas eléctricas que carecen de un mantenimiento adecuado.
- f) **Mantenga las herramientas de corte afiladas y limpias.** Las herramientas de corte con mantenimiento adecuado y con los bordes de corte afilados son menos propensas a trabarse y son más fáciles de controlar.
- g) **Utilice la herramienta eléctrica, los accesorios y las brocas de la herramienta, etc. de acuerdo con estas instrucciones y teniendo en cuenta las condiciones de trabajo y el trabajo que debe realizarse.** El uso de la herramienta eléctrica para operaciones diferentes de aquéllas para las que fue diseñada podría originar una situación peligrosa.
- h) **Mantenga las manijas y superficies de sujeción secas, limpias y libres de aceite y grasa.** Las manijas y superficies de sujeción resbalosas

no permiten el manejo y control seguros de la herramienta en situaciones inesperadas.

5) Uso y Mantenimiento de la Herramienta con Baterías

- a) **Recargue solamente con el cargador especificado por el fabricante.** Un cargador adecuado para un tipo de paquete de baterías puede originar riesgo de incendio si se utiliza con otro paquete de baterías.
- b) **Utilice herramientas eléctricas sólo con paquetes de baterías específicamente diseñados.** El uso de cualquier otro paquete de baterías puede producir riesgo de incendio y lesiones.
- c) **Cuando no utilice el paquete de baterías, manténgalo lejos de otros objetos metálicos como sujetapapeles, monedas, llaves, clavos, tornillos u otros objetos metálicos pequeños que puedan realizar una conexión desde un terminal al otro.** Los cortocircuitos en los terminales de la batería pueden provocar quemaduras o incendio.
- d) **En condiciones abusivas, el líquido puede ser expulsado de la batería. Evite su contacto. Si entra en contacto accidentalmente, enjuague con agua. Si el líquido entra en contacto con los ojos, busque atención médica.** El líquido expulsado de la batería puede provocar irritación o quemaduras.
- e) **No use un paquete de batería o herramienta que estén dañados o modificados.** Las baterías dañadas o modificadas pueden presentar un comportamiento impredecible que resulte en incendios, explosión o riesgo de lesiones."
- f) **No exponga un paquete de batería o una herramienta a fuego o temperatura excesiva.** La exposición a fuego o temperaturas mayores a 129 °C (265 °F) pueden causar una explosión."
- g) **Siga todas las instrucciones de carga y no cargue el paquete de batería o la herramienta fuera del rango de temperatura especificado en las instrucciones.** Cargar inadecuadamente o en una temperatura fuera del rango de temperatura especificado puede dañar la batería e incrementar el riesgo de incendio.

6) Mantenimiento

- a) **Solicite a una persona calificada en reparaciones que realice el mantenimiento de su herramienta eléctrica y que sólo utilice piezas de repuesto idénticas.** Esto garantizará la seguridad de la herramienta eléctrica.
- b) **Nunca dé servicio a paquetes de batería dañados.** El servicio de paquetes de batería sólo debe ser realizado por el fabricante o proveedores de servicio autorizados.

Instrucciones de Seguridad Adicionales para Lijadoras

- **No use su lijadora para lijar ningún tipo de metal.** Lijar tornillos, clavos u otros metales que pueden encender partículas de polvo puede producir chispas.
- **No utilice esta lijadora para lijar superficies húmedas.** Los líquidos pueden entrar en la caja del motor y pueden provocar descargas eléctricas
- **Vacíe el sistema de recolección de polvo en forma frecuente, en especial cuando lije superficies recubiertas de resina como poliuretano, barniz, laca, etc.** Elimine las partículas de polvo de revestimiento de acuerdo con las normas del fabricante de acabado o colóquelas en un envase de metal con una tapa metálica de cierre hermético. Retire las partículas de polvo de revestimiento de las instalaciones diariamente. La acumulación de partículas de polvo de lijado fino puede encenderse espontáneamente y provocar un incendio.
- **No haga funcionar esta herramienta durante períodos prolongados.** La vibración que produce el funcionamiento de esta herramienta puede provocar lesiones permanentes en dedos, manos y brazos. Use guantes para proveer amortiguación adicional, tome descansos frecuentes y limite el tiempo diario de uso.
- **No se recomienda lijar pintura con base de plomo, madera tratada a presión con químicos u otros materiales que puedan contener agentes cancerígenos.** El lijado de estos materiales sólo debe ser realizado por un profesional calificado.
- **Limpie su herramienta con frecuencia, especialmente después de un uso intensivo.** Generalmente se acumula polvo y arenilla que contienen partículas metálicas en las superficies interiores y podrían generar un riesgo grave de lesión, descarga eléctrica o electrocución. conecte la lijadora de la fuente de energía antes de limpiarla. Siempre use lentes de seguridad que cumplan con la ANSI Z87.1.
- **Siempre desconecte la herramienta de la fuente de energía antes de cambiar la papel abrasivo.** Estas medidas de seguridad preventivas reducen el riesgo de encender la herramienta eléctrica en forma accidental.

Reglas de Seguridad Adicionales para Lijadoras de Órbita Aleatoria

Lijado de Pintura a Base de Plomo

NO SE RECOMIENDA lijar pinturas a base de plomo debido a la dificultad de controlar el polvo contaminado. La intoxicación por plomo es más peligrosa para niños y mujeres embarazadas.

Ya que es difícil identificar si una pintura contiene plomo o no, sin antes hacer un análisis químico, recomendamos que se tomen las siguientes precauciones al lijar cualquier pintura:

Seguridad Personal

- Ningún niño o mujer embarazada debería entrar al área de trabajo donde se esté lijando pintura hasta que se haya terminado de limpiar el área.
- Todas las personas que entren en el área de trabajo deben usar una mascarilla antipolvo o un respirador. El filtro debería ser reemplazado a diario o cuando el usuario tenga dificultades para respirar.

NOTA: Sólo se deberían utilizar aquellas mascarillas antipolvo adecuadas para trabajar con polvo y gases de pinturas con plomo. Las mascarillas regulares para pintar no ofrecen esta protección. Visite su distribuidor de ferretería local para obtener la mascarilla adecuada (aprobada por el NIOSH).

- No se debe COMER, BEBER ni FUMAR en el área de trabajo para evitar ingerir partículas de pintura contaminada. Los trabajadores se deben lavar y limpiar ANTES de comer, beber o fumar. No deben dejarse artículos de comida, bebida o tabaco en el área de trabajo donde se podría depositar polvo sobre ellos.

Seguridad Ambiental

- La pintura debe ser retirada de manera que se reduzca al mínimo la cantidad de polvo generado.
- Las áreas donde se realiza remoción de pintura deben estar selladas con láminas de plástico de 4 mm de grosor.
- El lijado debería hacerse de modo que se reduzcan los vestigios de polvo de pintura fuera del área de trabajo.

Limpieza Y Eliminación de Residuos

- Todas las superficies del área de trabajo deben ser limpiadas en profundidad y repasadas con aspirador todos los días mientras dure el proyecto de lijado. Las bolsas de filtro de la aspiradora deben cambiarse con frecuencia.
- Las láminas de protección de plástico deben recogerse y eliminarse junto con el polvo y cualquier otro residuo. Deberán colocarse en un recipiente para desechos sellado y eliminarse de acuerdo con los procedimientos normales de eliminación de la basura. Durante la limpieza, se impedirá a niños y mujeres embarazadas el acceso al área de trabajo.
- Todos los juguetes, muebles lavables y utensilios usados por niños deberán lavarse a fondo antes de volverlos a usar.

Instrucción Adicional de Seguridad



ADVERTENCIA: Nunca modifique la herramienta eléctrica, ni tampoco ninguna de sus piezas. Podría producir lesiones corporales o daños.



ADVERTENCIA: Use SIEMPRE lentes de seguridad. Los anteojos de diario NO SON lentes de seguridad. Utilice además una cubrebocas o mascarilla antipolvo si la operación de corte genera demasiado polvo. SIEMPRE LLEVE EQUIPO DE SEGURIDAD CERTIFICADO:

- protección ocular ANSI Z87.1 (CAN/CSA Z94.3),
- protección auditiva ANSI S12.6 (S3.19),
- protección respiratoria NIOSH/OSHA/MSHA.



ADVERTENCIA: Algunas partículas de polvo generadas al lijar, serrar, esmerilar y taladrar con herramientas eléctricas, así como al realizar otras actividades de construcción, contienen químicos que el Estado de California sabe que pueden producir cáncer, defectos congénitos u otras afecciones reproductivas. Ejemplos de estos químicos son:

- plomo de algunas pinturas en base a plomo,
- polvo de sílice proveniente de ladrillos y cemento y otros productos de albañilería, y
- arsénico y cromo provenientes de madera tratada químicamente.

Su riesgo de exposición a estos químicos varía, dependiendo de la frecuencia con la cual realiza usted este tipo de trabajo. Para reducir su exposición a estas sustancias químicas: trabaje en una zona bien ventilada y llevando equipos de seguridad aprobados, como mascarillas antipolvo especialmente diseñadas para filtrar partículas microscópicas.

- **Evite el contacto prolongado con polvo generado por el lijado, aserrado, pulido, taladrado y otras actividades de construcción. Vista ropas protectoras y lave las áreas de la piel expuestas con agua y jabón.** Si permite que el polvo se introduzca en la boca u ojos o quede sobre la piel, puede favorecer la absorción de productos químicos peligrosos.



ADVERTENCIA: La utilización de esta herramienta puede generar polvo o dispersarlo, lo que podría causar daños graves y permanentes al sistema respiratorio, así como otras lesiones. Siempre use protección respiratoria aprobada por NIOSH (Instituto Nacional de Seguridad y Salud en el Trabajo) u OSHA (Administración de Seguridad y Salud en el Trabajo) apropiada para la exposición al polvo. Dirija las partículas en dirección contraria a la cara y el cuerpo.



ADVERTENCIA: Siempre lleve la debida protección auditiva personal en conformidad con ANSI S12.6 (S3.19) durante el uso de esta herramienta. Bajo algunas condiciones y duraciones de uso, el ruido producido por este producto puede contribuir a la pérdida auditiva.



ATENCIÓN: Cuando no esté en uso, guarde la herramienta apoyada en un costado sobre una superficie estable, donde no interrumpa el paso o provoque una caída. Algunas herramientas con paquetes de baterías de gran tamaño pueden colocarse paradas sobre el paquete de baterías, pero pueden caerse fácilmente.

- **Los orificios de ventilación suelen cubrir piezas en movimiento, por lo que también se deben evitar.** Las piezas en movimiento pueden atrapar prendas de vestir sueltas, joyas o el cabello largo.

La etiqueta de su herramienta puede incluir los siguientes símbolos. A continuación se indican los símbolos y sus definiciones:

V	voltios		or AC..... corriente alterna
Hz	hertz		or AC/DC... corriente alterna o directa
min	minutos	 Construcción de Clase II (doble aislamiento)
	or DC..... direct current	n_0	velocidad sin carga
 Construcción de Clase I (tierra)	IPXX.....	símbolo IP
... /min.....	por minuto	n	velocidad nominal
BPM.....	golpes por minuto	 terminal de conexión a tierra
IPM.....	impactos por minuto	 símbolo de advertencia de seguridad
RPM.....	revoluciones por minuto	 radiación visible
sfpm	pies de superficie por minuto	 protección respiratoria
SPM.....	pasadas por minuto	 protección ocular
OPM.....	oscilaciones por minuto	 protección auditiva
A	amperios	lea toda la documentación
W	watios		

BATERÍAS Y CARGADORES

La batería no viene completamente cargada de fábrica. Antes de utilizar la batería y el cargador, lea las siguientes instrucciones de seguridad y luego siga los procedimientos de carga indicados. Cuando pida baterías de repuesto, no olvide indicar el número de catálogo y el voltaje.

LEA TODAS LAS INSTRUCCIONES

Instrucciones de Seguridad Importantes Para Todas las Unidades de Batería



ADVERTENCIA: Lea todas las advertencias de seguridad, instrucciones y marcas de precaución para el paquete de la batería, el cargador y el producto. No seguir las advertencias y las instrucciones puede provocar una descarga eléctrica, un incendio y/o lesiones graves.

- **No cargue o use la unidad de batería en atmósferas explosivas, como en presencia de líquidos, gases o polvos inflamables.** Puede que al insertar o sacar la unidad de batería del cargador se inflamen el polvo o los gases.
- **Cuando el paquete de batería no esté en uso, manténgalo alejado de otros objetos metálicos, como sujetadores de papel, monedas, llaves, clavos, tornillos, u otros objetos pequeños de metal que puedan hacer una conexión de una terminal a otra.** Conectar en corto circuito las terminales de la batería puede causar quemaduras o un incendio.
- **NUNCA fuerce la unidad de batería para que entre en el cargador. NO modifique la unidad de batería en ninguna forma para que entre en un**

cargador no compatible, pues puede producir una ruptura en la unidad de batería y causar lesiones corporales graves. Consulte la tabla al final de este manual para ver la compatibilidad entre baterías y cargadores.

- *Cargue las unidades de batería sólo en los cargadores designados por DEWALT.*
- **NO salpique con ni sumerja en agua u otros líquidos.**
- **No guarde ni use la herramienta y unidad de batería en lugares donde la temperatura pueda alcanzar o superar los 40 °C (104 °F), tales como cobertizos o construcciones de metal durante el verano.**

Almacene las unidades de batería en lugares frescos y secos para maximizar su vida útil.

NOTA: No almacene las unidades de batería en la herramienta con el interruptor de gatillo en posición encendida fija. Nunca use cinta adhesiva para mantener el interruptor de gatillo en posición ENCENDIDA.

- **No exponga un paquete de batería o herramienta/aparato a fuego o temperatura excesiva.** La exposición a fuego o temperatura mayor a 130 °C (265 °F) puede causar una explosión.
- **No incinere la unidad de batería, aunque esté completamente dañada o descargada. La unidad de batería puede explotar si se quema.** Cuando se queman unidades de batería de iones de litio, se producen gases y materiales tóxicos.
- **Si el contenido de la batería entra en contacto con la piel, lave el área de inmediato con agua y un jabón suave.** Si el líquido de la batería entra en contacto con sus ojos, enjuáguelos con agua y los ojos abiertos por 15 minutos o hasta que cese la irritación. Si se requiere de asistencia médica, el electrolito de la batería está compuesto por una mezcla de carbonatos orgánicos líquidos y sales de litio.
- **El contenido de los elementos abiertos de la batería puede causar irritación en el tracto respiratorio.** Salga al aire fresco. Si los síntomas persisten, busque asistencia médica.

⚠ ADVERTENCIA: Peligro de quemaduras. El líquido de la batería puede ser inflamable si se expone a chispas o llamas.

⚠ ADVERTENCIA: Peligro de incendio. Nunca intente abrir la unidad de batería por ningún motivo. Si la caja exterior de la unidad de batería se triza o daña, no la introduzca en el cargador. No triture, deje caer o dañe la unidad de batería. No use una unidad de batería o un cargador que haya sido golpeado, dejado caer, atropellado o dañado en cualquier forma (por ejemplo, perforado por un clavo, golpeado con un martillo, pisado). Lleve sus unidades de batería dañadas al centro de servicio para que sean recicladas.

Recomendaciones de Almacenamiento

1. El mejor lugar de almacenamiento es uno que sea fresco y seco, lejos de la luz solar directa y del exceso de calor o frío.
2. Para resultados óptimos durante tiempos prolongados de almacenamiento, se recomienda almacenar la unidad de batería completamente cargada en un lugar fresco y seco fuera del cargador.

NOTA: Las unidades de batería no deberían almacenarse completamente descargadas. La unidad de batería deberá recargarse antes de ser usada.

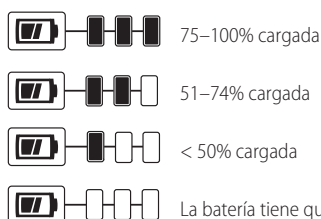
Instrucciones de Limpieza de la Batería

Para limpiar la suciedad y grasa del exterior del cargador puede usarse un paño o cepillo suave no metálico. No use agua ni soluciones limpiadoras.

Unidades de Batería con Indicador de Carga

Algunas unidades de batería DEWALT incluyen un indicador de carga que consiste de tres luces LED que indican el nivel de carga que queda en la unidad de batería.

El indicador de carga es una indicación de niveles aproximados de carga que quedan en la batería según los indicadores siguientes:



Para activar el indicador de carga, presione y sostenga el botón del indicador. Se iluminará una combinación de las tres luces LED, que indicará el nivel de carga que queda. Cuando el nivel de carga está por debajo del nivel útil, el indicador no se iluminará, y la batería deberá recargarse.

NOTA: El indicador de carga es sólo eso: un indicador de la carga de la unidad de batería. No indica el nivel de funcionalidad de la herramienta y puede variar de acuerdo a las piezas del producto, la temperatura y la aplicación que el usuario le dé.

Para mayor información sobre unidades de batería con indicadores de carga, por favor llame al 1-800-4-DEWALT (1-800-433-9258) o visite nuestro sitio Web: www.dewalt.com

Transporte

⚠ ADVERTENCIA: Peligro de incendio. No guarde o transporte la batería de forma que los terminales expuestos de la misma puedan estar en contacto con objetos metálicos. Por ejemplo, no ponga la batería en delantales, bolsillos, cajas de herramientas, estuches de productos, cajones, etc., junto con clavos, tornillos, y llaves, etc. sueltos. **El transporte de baterías puede causar incendios**

si sus terminales inadvertidamente entran en contacto con materiales conductores como llaves, monedas, herramientas manuales y otros por el estilo. El Reglamento sobre Materiales Peligrosos (HMR) del Departamento de Transporte de EE.UU. prohíbe transportar baterías comercialmente o en aviones en el equipaje de mano A MENOS que estén debidamente protegidas contra cortocircuitos. Por lo tanto, cuando transporte baterías individuales, asegúrese de que sus terminales estén protegidos y debidamente aislados de los materiales que pudieran entrar en contacto con ellos y provocar un cortocircuito. **NOTA:** Las baterías de iones de Li-ion no deben colocarse dentro del equipaje registrado.

El sello RBRC®

El sello RBRC® (Rechargeable Battery Recycling Corporation) en las baterías (unidades de batería) de níquel cadmio, níquel e hidruro metálico o de iones de litio indica que el costo de reciclaje de estas baterías (o unidades de batería) al llegar al final de su vida de servicio ya ha sido pagado por DEWALT. En algunas áreas, es ilegal depositar baterías de níquel cadmio, níquel e hidruro metálico o de iones de litio gastadas en la basura o la corriente de residuos sólidos urbanos; el programa Call 2 Recycle® proporciona una alternativa ecológica.

Call 2 Recycle, Inc., en cooperación con DEWALT y otros usuarios de baterías, han establecido programas en los Estados Unidos y Canadá para facilitar la recolección de baterías de níquel cadmio, níquel e hidruro metálico o de iones de litio gastadas. Al llevar sus baterías de níquel cadmio, níquel e hidruro metálico y de iones de litio gastadas a un centro de servicio autorizado por DEWALT o al minorista local para que sean recicladas, ayuda a proteger el medio ambiente y a conservar recursos naturales.

También puede comunicarse con el centro de reciclaje de su localidad para mayor información sobre dónde llevar sus baterías gastadas.

RBRC® es una marca comercial registrada de Call 2 Recycle, Inc.



Transporte de la Batería FLEXVOLT™ de DEWALT

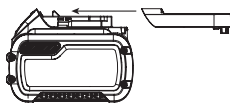
La batería FLEXVOLT™ de DEWALT tiene dos modalidades:

Uso y transporte.

Modalidad de uso: Cuando la batería FLEXVOLT™ está independiente o está en un producto DEWALT de 20 V Máx* funcionará como una batería de 20 V Máx*. Cuando la batería FLEXVOLT™ está en un producto de 60 V Máx* o 120 V Máx* (dos baterías de 60 V Máx*), funcionará como una batería de 60 V Máx*.

Modalidad de transporte:

Cuando la batería FLEXVOLT™ tiene puesta la tapa, la batería está en modalidad de transporte. Cadenas de celdas están desconectadas eléctricamente dentro de la unidad de batería, lo que resulta en tres baterías con una capacidad nominal de vatios hora (Wh) inferior comparada



con una batería con una capacidad nominal de vatios hora superior. Esta mayor cantidad de tres baterías con una capacidad nominal de vatios-hora menor puede hacer que la unidad de batería quede exenta de ciertos reglamentos de transporte que se imponen a las baterías con mayor capacidad nominal de vatios-hora.

La etiqueta en la batería indica dos capacidades nominales de vatios-hora (ver el ejemplo). Dependiendo de cómo se transporta la batería, debe usarse la capacidad nominal de vatios-hora apropiada para determinar los requisitos de transporte aplicables. Si se utiliza la tapa de transporte, la unidad de batería será considerada tres baterías con la capacidad nominal de vatios-hora indicada para «Transporte». Si se transporta sin la tapa o en una herramienta, la unidad de batería será considerada una batería con la capacidad nominal de vatios-hora indicada al lado de «Uso».

Ejemplo de Marcado en Etiqueta de Uso y Transporte

USE: 120 Wh Shipping: 3 x 40 Wh

Por ejemplo, la capacidad nominal de Wh de Transporte puede indicar 3 x 40 Wh, lo que significa 3 baterías de 40 vatios-hora cada una. La capacidad nominal de Wh de Uso puede indicar 120 Wh (se implica 1 batería).

Instrucciones Importantes de Seguridad Para Todos los Cargadores de Baterías



ADVERTENCIA: Lea todas las advertencias de seguridad, instrucciones y marcas de precaución para el paquete de la batería, el cargador y el producto. No seguir las advertencias y las instrucciones puede provocar una descarga eléctrica, un incendio y/o lesiones graves.

- **NO intente cargar el paquete de batería con ningún cargador diferente a un cargador DEWALT.** El cargador y el paquete de batería DEWALT están diseñados específicamente para funcionar juntos.
- **Estos cargadores no fueron diseñados para ser utilizados para más que cargar las baterías recargables DEWALT.** Cualquier otro uso puede producir riesgo de incendios, descargas eléctricas o electrocución.
- **No exponga el cargador a la lluvia o a la nieve.**
- **Tire del enchufe y no del cable cuando desconecte el cargador.** De esta forma se reduce el riesgo de daño al enchufe y cable.
- **Asegúrese de que el cable no sea ubicado de manera que podría ser pisado, causar que alguien tropiece con él o ser expuesto a otro tipo de daños y desgastes.**
- **No use un alargador a menos que sea absolutamente necesario.** El uso de un alargador incorrecto podría producir riesgo de incendios, descargas eléctricas o electrocución.
- **Cuando opere un cargador al exterior, hágalo siempre en un lugar seco y use un alargador apropiado para uso al exterior.** El uso de un alargador

apropiado para uso al exterior reduce el riesgo de descarga eléctrica.

- **Los hilos del alargador deben ser de un calibre apropiado (AWG o American Wire Gauge) para su seguridad.** Mientras menor sea el calibre del hilo, mayor la capacidad del cable. Es decir, un hilo calibre 16 tiene mayor capacidad que uno de 18. Un cable de un calibre insuficiente causará una caída en la tensión de la línea dando por resultado una pérdida de energía y sobrecalentamiento. Cuando se utilice más de un alargador para completar el largo total, asegúrese que los hilos de cada alargador tengan el calibre mínimo. La tabla siguiente muestra el tamaño correcto a utilizar, dependiendo de la longitud del cable y del amperaje nominal de la placa de identificación. Si tiene dudas sobre cuál calibre usar, use un calibre mayor. Cuanto menor sea el número del calibre, más resistente será el cable.

Calibre mínimo de conjuntos de cables

Voltios	Longitud total del cable en pies (metros)					
	120V	25 (7,6)	50 (15,2)	100 (30,5)	150 (45,7)	
240V	50 (15,2)	100 (30,5)	200 (61,0)	300 (91,4)		
Amperaje nominal		AWG				
Más de	No Más de					
0	6	18	16	16	14	
6	10	18	16	14	12	
10	12	16	16	14	12	
12	16	14	12		No recomendado	

- **No coloque ningún objeto encima del cargador ni coloque a este sobre una superficie blanda que pudiera bloquear las ranuras de ventilación y resultar en un calor interno excesivo.** Coloque el cargador en un lugar alejado de cualquier fuente de calor. El cargador se ventila a través de las ranuras que se encuentran en la parte superior e inferior de la caja protectora.
- **No opere el cargador si su cable o enchufe están dañados—reemplácelos de inmediato.**
- **No opere el cargador si ha recibido un golpe agudo, si se ha caído o si ha sido dañado de alguna otra forma.** Llévelo a un centro de servicio autorizado.
- **No desarme el cargador; llévelo a un centro de servicio autorizado cuando deba ser reparado.** Si es reensamblado incorrectamente, puede causar descargas eléctricas, electrocución o incendios.
- **Desenchufe el cargador antes de intentar limpiarlo. Esto reducirá el riesgo de descargas eléctricas.** El retirar el paquete de baterías no reducirá este riesgo.
- **NUNCA** intente conectar 2 cargadores entre sí.
- **El cargador está diseñado para operar con una corriente eléctrica estándar residencial de 120 V. No intente usarlo con ningún otro voltaje.** Esto no aplica al cargador vehicular.

⚠️ ADVERTENCIA: Peligro de descarga eléctrica. No permita que ningún líquido se introduzca en el cargador. Puede producir descargas eléctricas.

⚠️ ADVERTENCIA: Peligro de quemaduras. No sumerja la unidad de batería en líquido de ningún tipo ni permita que se introduzca ningún tipo de líquido a la unidad de batería. Nunca intente abrir la unidad de batería por ningún motivo. Si la caja plástica de la unidad de batería se triza o rompe, llévela a un centro de servicio para su reciclaje.

⚠️ ATENCIÓN: Peligro de quemaduras. Para reducir el riesgo de lesiones, sólo cargue unidades de batería recargables DEWALT marca. DEWALT. Otros tipos de batería podrían sobrecalentarse y reventar lo que podría resultar en lesiones corporales y daños a su propiedad.




⚠️ ATENCIÓN: Bajo ciertas condiciones, cuando el cargador está enchufado a una toma de corriente, el cargador puede hacer cortocircuito si entra en contacto con algún material ajeno. Los materiales ajenos de naturaleza conductora, como el polvo de esmerilado, las placas de metal, la lana de acero, el papel de aluminio y otros, o cualquier acumulación de partículas metálicas deberían mantenerse alejados de las cavidades del cargador. Desenchufe siempre el cargador cuando no haya una unidad de batería en su cavidad. Desenchufe el cargador antes de intentar limpiarlo.

Carga de la Batería

NOTA: Para garantizar el máximo desempeño y la vida útil de los paquetes de baterías de iones de litio, cargue la batería por completo antes del primer uso.

1. Conecte el cargador en un tomacorriente apropiado antes de insertar el paquete de batería.
2. Conecte el cargador y el paquete de baterías, asegurándose que la batería esté completamente asentada. La luz (carga) parpadeará continuamente indicando que el proceso de carga ha comenzado.
3. La terminación de la carga se indicará por la luz que permanece encendida continuamente. El paquete de batería está completamente cargado y se puede retirar a usar en este momento o dejarse en el cargador.

NOTA: Para retirar el paquete de la batería, algunos cargadores requieren que se presione el botón de liberación del paquete de batería.

Indicadores	
	Unidad en Proceso de Carga ----- 🔋
	Unidad Cargada ————— 🔋
	Restroso por Unidad Caliente/ Fría* ----- ——— 🔌

***DCB107, DCB112, DCB113, DCB115, DCB118, DCB132:** La luz roja continuará parpadearo, pero una luz indicadora amarilla estará iluminada durante esta operación. Una vez que la batería haya llegado a una temperatura apropiada, la luz amarilla se apagará y el cargador continuará con el procedimiento de carga.

Un cargador no cargará una batería defectuosa. El cargador que se niega a encenderse podría indicar un problema con el cargador.

NOTA: Si el cargador no quiere encender, lleve el cargador y el paquete de batería para que los prueben en un centro de servicio autorizado.

Permanencia de la Unidad de Batería en el Cargador

El cargador y la unidad de batería pueden dejarse conectados con la luz del cargador indicando que la unidad está cargada.

Retraso por Batería Caliente/Fría

Cuando el cargador detecta que una batería está demasiado caliente o demasiado fría, inicia automáticamente un Retraso por batería caliente/fría y suspende la carga hasta que la batería alcanza una temperatura adecuada. En ese momento, el cargador inicia automáticamente el modo de carga de la batería. Esta función garantiza la máxima duración de la batería.

Una batería fría puede cargar más lentamente que una batería caliente.

El cargador DCB118 está equipado con un ventilador interno diseñado para enfriar la batería. El ventilador se encenderá automáticamente cuando la batería tenga que enfriarse.

No opere nunca el cargador si el ventilador no funciona adecuadamente o si las ranuras de ventilación están obstruidas. No permita que entren objetos extraños dentro del cargador.

Sistema de protección electrónica

Las herramientas con baterías de iones de litio están diseñadas con un Sistema de protección electrónico que protegerá la batería contra la sobrecarga, el sobrecalentamiento o la descarga completa. La herramienta se apagará automáticamente si el Sistema de protección electrónico se activa. Si esto ocurre, coloque la batería de iones de litio en el cargador hasta que esté totalmente cargada.

Notas Importantes Sobre la Carga

- Se puede obtener una mayor duración y un mejor rendimiento si la unidad de batería se carga a una temperatura ambiente de 18 °C–24 °C (65 °F–75 °F). NO cargue cuando el paquete de batería esté debajo de +4,5 °C (+40 °F), o arriba de +40 °C (+104 °F). Esto es importante y evitará causar daños graves a la batería.
- Puede que el cargador y la unidad de batería se calienten ligeramente durante el proceso de carga. Esto es normal y no representa ningún problema. Para facilitar el enfriamiento de la unidad de batería después del uso, evite colocar el cargador o la unidad de batería en un lugar cálido, como un cobertizo metálico o un remolque sin aislamiento térmico.
- Si la unidad de batería no se carga correctamente:
 - Verifique el funcionamiento de la toma enchufando una lámpara u otro aparato;

- Revise que la toma de corriente no esté conectada a un interruptor de luz que corte la corriente cuando se corte la luz;
 - Mueva el cargador y la unidad de batería a un lugar donde la temperatura ambiental sea aproximadamente 18 °C–24 °C (65 °F–75 °F);
 - Si el problema de carga continúa, lleve la herramienta, unidad de batería y el cargador a su centro de servicio local.
- La unidad de batería debería ser recargada cuando no sea capaz de producir suficiente potencia para trabajos que eran fácilmente realizados antes. NO CONTINÚE usándola bajo estas circunstancias. Siga el procedimiento de carga. También puede cargar una unidad de batería que haya sido usada parcialmente cuando lo desee, sin dañarla.
 - Los materiales ajenos conductores por naturaleza, tales como, pero sin limitarse a, el polvo del esmerilado, las virutas metálicas, la lana de acero, el papel de aluminio o cualquier acumulación de partículas metálicas deberían mantenerse alejados de las cavidades del cargador. Desenchufe siempre el cargador de la toma de corriente cuando no haya una unidad de batería en su cavidad. Desenchufe el cargador antes de intentar limpiarlo.
 - No congele ni sumerja el cargador en agua o cualquier otro líquido.

Instrucciones de Limpieza del Cargador



ADVERTENCIA: Riesgo de descarga eléctrica.

Desconecte el cargador del tomacorriente de CA antes de limpiarlo. Para limpiar la suciedad y grasa del exterior del cargador puede usarse un paño o cepillo suave no metálico. No use agua ni soluciones limpiadoras.

Montaje en la Pared

DCB107, DCB112, DCB113, DCB115, DCB118, DCB132

Estos cargadores están diseñados para montarse en la pared o colocarse en posición vertical sobre una mesa o superficie de trabajo. Si lo monta en la pared, coloque el cargador al alcance de una toma de corriente eléctrica y alejado de las esquinas u otras obstrucciones que puedan impedir el flujo de aire. Utilice la parte de atrás del cargador como plantilla para la ubicación de los tornillos de montaje en la pared. Monte el cargador firmemente utilizando tornillos para muro seco (comprados por separado) de un mínimo de 25,4 mm (1") de largo, con una cabeza de un diámetro de 7-9 mm (0,28–0,35"), atornillados en madera hasta una profundidad óptima dejando el tornillo expuesto aproximadamente 5,5 mm (7/32"). Alinee las ranuras en la parte trasera del cargador con los tornillos expuestos e introdúzcalos totalmente en las ranuras.

Uso Debido

Esta lijadora de hoja de un cuarto está diseñada para uso profesional.

NO use en condiciones húmedas ni en presencia de líquidos o gases inflamables.

NO permita que los niños toquen la herramienta. Si el operador no tiene experiencia operando esta herramienta, su uso deberá ser supervisado.

MONTAJE Y AJUSTES



ADVERTENCIA: Para reducir el riesgo de lesiones personales, apague la unidad y retire el paquete de batería antes de realizar cualquier ajuste o retirar/instalar conexiones o accesorios.

Una activación de arranque accidental puede causar lesiones.

Colocación del Papel de Lija (Fig. B–D)

Su lijadora está diseñada para usar papel abrasivo de hoja de un cuarto. Una hoja de cuarto de papel abrasivo mide 114,3 mm x 139,7 mm (4-1/2" x 5-1/2"). Este tamaño de papel se puede hacer:

- Cortando papel abrasivo de tamaño completo de 228,6 mm x 279,4 mm (9" x 11") en hojas de 1/4 de 114,3 mm x 139,7 mm (4-1/2" x 5-1/2").
- Cortando una mitad de hoja de papel abrasivo en dos hojas de 114,3 mm x 139,7 mm (4-1/2" x 5-1/2").
- Papel abrasivo de 114,3 mm x 139,7 mm (4-1/2" x 5-1/2") precortado está disponible por un costo adicional.

Colocación de Hojas Abrasivas Regulares (Fig. B–D)

Para el uso regular de la herramienta, instale el papel abrasivo en su unidad de la siguiente manera:

- Ablande el papel abrasivo rígido jalándolo sobre el borde de 90° de una mesa u otro borde recto, como se muestra en la Figura B. Concentrate on softening the edges to be clamped.
- Libere la abrazadera trasera del papel **14** tirando hacia arriba las palancas de sujeción lateral **1** y desacoplando de las pestañas de sujeción **15** en la placa/almohadilla de base **3**.
- Desconecte la abrazadera de papel delantera **10** (Fig. D) aplicando y manteniendo presión en el botón de la abrazadera delantera **16** mientras inserta el borde de 114,3 mm (4-1/2") del papel abrasivo debajo de la abrazadera de papel delantera **10** hasta que toque las costillas de limitación de papel **17**. Libere la abrazadera de papel delantera para asegurar el frente del papel abrasivo.
- Estire el papel abrasivo sobre la placa base/almohadilla **3** y comience a girar la abrazadera de papel trasera **14** alrededor de su posición de bloqueo. Bloquee una palanca de la abrazadera lateral **1** colocándola detrás de la lengüeta en la placa base/almohadilla y después repita con la segunda palanca de abrazadera lateral.

- Si usa la función de extracción de polvo, perforo el papel abrasivo (vea **Perforador**).

Fig. B

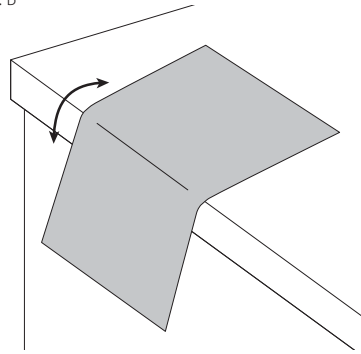


Fig. C

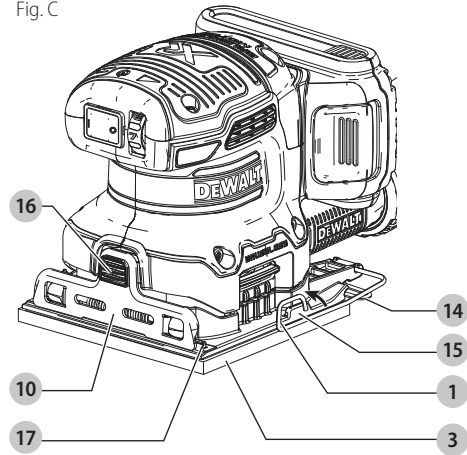
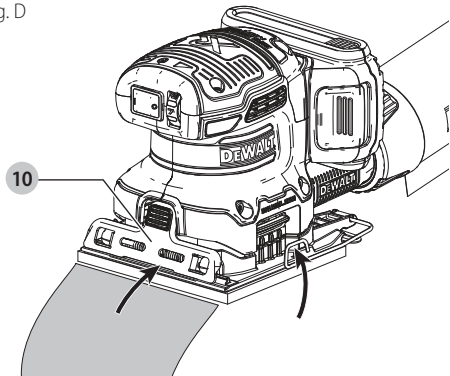


Fig. D



Perforador (Fig. E, F)

⚠ CAUTION: Apague y retire el paquete de batería de la herramienta antes de realizar ajustes o retirar o instalar conexiones o accesorios. Asegúrese de que el interruptor esté en posición OFF (apagado).

Se proporciona un punzón de papel **11** con su lijadora para permitirle perforar el papel abrasivo regular para hacer posible la recolección de polvo.

Para Perforar su Papel Abrasivo

Instale el papel abrasivo en la herramienta como se indica en este manual. Con la lijadora apagada y batería removida, coloque el perforador en el papel de modo que las lengüetas en los bordes del perforador estén contra dos lados adyacentes de la almohadilla de lijado, como se muestra en la figura. Presione el perforador contra la almohadilla de modo que los 8 puntos penetren el papel, como se muestra en la Figura F. (Presione el perforador contra la almohadilla, lo más que pueda.) Retire el perforador y el papel estará listo.

Otra forma de perforar el papel es fijar el perforador bien a una superficie de trabajo adecuada. El perforador viene con dos orificios para este propósito. Use tornillos de cabeza plana #8. Presione la lijadora (con el papel insertado) contra el perforador.

Fig. E

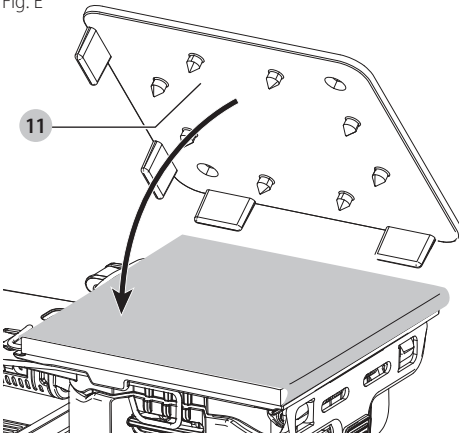
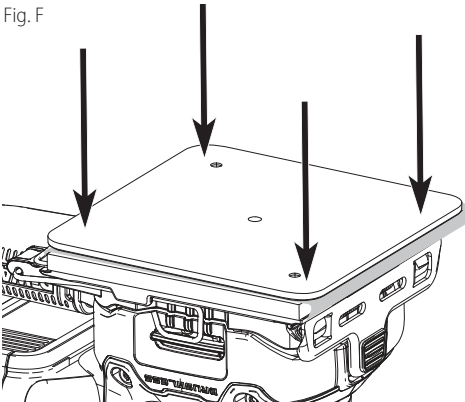


Fig. F



Conmutador (Fig. A)

Para encender la unidad, presione el conmutador protegido contra polvo **5** por el lado con el símbolo "I". Para apagarla, presione el lado del conmutador con el símbolo "O".

Cuadrante de Control de Velocidad (Fig. A)

El cuadrante de control de velocidad **2**, que aparece en la Figura A, le permite aumentar o disminuir la velocidad de 12000–14000 órbitas por minuto. El ajuste de velocidad óptimo para cada aplicación depende en gran medida de su preferencia personal. En general, es preferible un valor alto en materiales duros y un valor menor en los blandos. La velocidad de eliminación de material aumenta con la velocidad.

OPERACIÓN

⚠ ADVERTENCIA: Para reducir el riesgo de lesiones personales, apague la unidad y retire el paquete de batería antes de realizar cualquier ajuste o retirar/instalar conexiones o accesorios.

Una activación de arranque accidental puede causar lesiones.

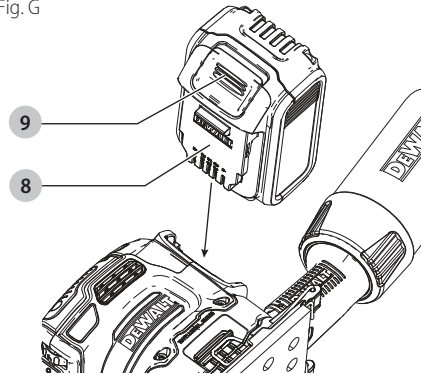
Cómo Instalar y Retirar la Unidad de Batería (Fig. G)

NOTA: Para mejores resultados, verifique que su unidad de batería esté completamente cargada.

Para instalar el paquete de batería **8** en la herramienta, alinee el paquete de batería con los rieles dentro de la herramienta. Deslícela hasta que el paquete de batería esté asentado firmemente en la herramienta y asegúrese que no se desconecte.

Para retirar la unidad de batería de la herramienta, presione el botón de liberación **9** y tire firmemente de la de batería para sacarla del mango de la herramienta. Insértela en el cargador tal como se describe en la sección del cargador de este manual.

Fig. G



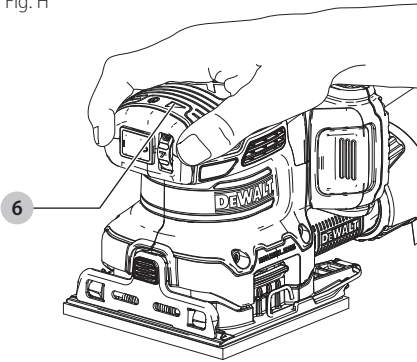
Posición Adecuada de las Manos (Fig. H)

⚠ ADVERTENCIA: Para reducir el riesgo de lesión personal grave, tenga **SIEMPRE** las manos en una posición adecuada como se muestra.

⚠ ADVERTENCIA: Para reducir el riesgo de lesión personal grave, sujete **SIEMPRE** bien en caso de que haya una reacción repentina.

La posición de mano adecuada requiere una mano en la agarradera principal **6**.

Fig. H



Recolección de Polvo (Fig. A, I)

⚠ ADVERTENCIA: El polvo de lijado recolectado de los recubrimientos de la superficie de lijado (poliuretano, aceite de linaza, etc.) se pueden encender en la bolsa de aire de la lijadora o en otro lugar y causar un incendio. Para reducir el riesgo, vacíe la bolsa frecuentemente y siga estrictamente el manual de la lijadora y las instrucciones del fabricante del recubrimiento.

Su lijadora tiene un ducto de polvo removible **7** que permite que se conecte la bolsa de polvo suministrada **4** o el sistema de aspiradora del taller. La salida integrada utiliza la conexión DEWALT AirLock para que sea compatible con el extractor de polvo DEWALT.

Para Colocar la Bolsa de Recolección de Polvo

1. Mientras sostiene la lijadora, instale el collar de la bolsa de polvo **12** en el ducto de polvo removible **7** como se muestra en la Figura I.
2. Gire el cuello **12** en sentido horario para bloquear la bolsa de recolección de polvo **4** en su lugar.

Para Vaciar la Bolsa de Recolección de Polvo

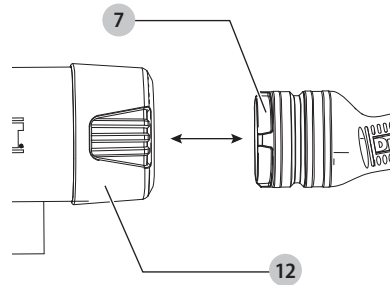
1. Mientras sujeta la lijadora, gire el cuello **12** en sentido antihorario para desbloquear la bolsa de recolección de polvo **4**.
2. Quite la bolsa de recolección de polvo de la lijadora y sacuda o golpee ligeramente la bolsa para vaciarla.

3. Vuelva a colocar la bolsa de recolección de polvo en la salida y bloquee en su lugar girando el cuello de la bolsa de recolección de polvo en sentido horario.

Existe la posibilidad de que no todo el polvo se salga solo de la bolsa. Esto no afectará el desempeño de la lijadora pero sí reducirá la eficiencia en la recolección de polvo de la lijadora. Para recuperar la eficiencia de recolección de polvo de su lijadora, presione el resorte dentro de la bolsa de recolección de polvo cuando la esté vaciando y golpéela contra el lado del basurero o recipiente de polvo.

⚠ ATENCIÓN: Nunca opere estas herramientas si no tienen el colector de polvo instalado. La expulsión de polvo de lijado podría provocar un riesgo para la respiración.

Fig. I



Operación de la Lijadora

⚠ ADVERTENCIA: Deje que la herramienta funcione a su propio ritmo. No sobrecargue.

AVISO: Esta lijadora no debe usarse en aplicaciones de yeso.

Para operar su lijadora, tómela como aparece en las Figura H y enciéndala. Mueva la unidad con desplazamientos de barrido amplios a lo largo de la superficie a lijar, dejando que la lijadora haga el trabajo. Apretar hacia abajo la herramienta mientras se lija disminuye de hecho la velocidad de eliminación y genera una superficie de menor calidad. Verifique los resultados a menudo: esta lijadora puede eliminar material muy rápidamente, especialmente si utiliza papel grueso.

Su lijadora está diseñada para lijar al ras en tres lados para lijar rincones y su tamaño y peso la hacen ideal para realizar trabajos en altura.

La acción orbital de su lijadora le permite lijar en la dirección de la veta o en cualquier ángulo en contra de ella, para la mayoría de los trabajos de lijado. En los últimos pasos de lijado, como se analiza más abajo, tendrá un mejor resultado si sólo lija en la dirección de la veta.

Para producir el mejor acabado posible, comience con papel abrasivo de grano grueso y cambie gradualmente a un papel más fino cada vez. Un lijado final con una pieza de papel abrasivo fino bastante desgastado producirá un acabado de apariencia profesional que en muchos casos no necesitará lijado manual en absoluto. La velocidad en la que se llena la bolsa de recolección de polvo variará con el

tipo de material que se lija y la aspereza del papel abrasivo. Para mejores resultados, vacíe la bolsa frecuentemente y verifique la abertura respecto a obstrucciones.

Cuando lije superficies pintadas, puede encontrar que el papel abrasivo se satura y obstruye con pintura. Es mucho mejor usar una pistola térmica para eliminar la pintura antes de lijar. SIGA TODAS LAS INSTRUCCIONES DE SEGURIDAD DEL MANUAL DE INSTRUCCIONES DE LA PISTOLA TÉRMICA.

MANTENIMIENTO



ADVERTENCIA: Para reducir el riesgo de lesiones personales, apague la unidad y retire el paquete de batería antes de realizar cualquier ajuste o retirar/instalar conexiones o accesorios.

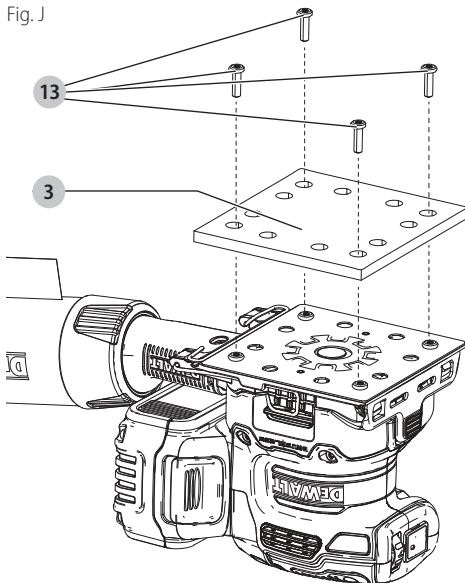
Una activación de arranque accidental puede causar lesiones.

Reemplazo de Almohadilla de Lijado (Fig. J)

La almohadilla de lijado **3** está diseñada para ser una parte consumible y ocasionalmente necesitará reemplazarse. La almohadilla de lijado necesita reemplazo cuando se vuelvan evidentes las señales de desgaste. Las almohadillas de lijado están disponibles a un costo adicional en su distribuidor o centro de servicio DeWALT autorizado local.

1. Sosteniendo la base firmemente, retire los cuatro tornillos **13** de la parte inferior de la almohadilla.
2. Saque la almohadilla **3**.
3. Vuelva a instalar la almohadilla. Vuelva a poner los cuatro tornillos **13**. Tenga cuidado de no apretar los tornillos demasiado.

Fig. J



Cuidado de la Herramienta

- Mantenga la lijadora tan limpia como sea posible, pasándole un trapo limpio y soplando aire a través de ella cada cinco horas de funcionamiento.
- No utilice químicos o solventes fuertes para limpiar la herramienta. Estos químicos podrían causar graves daños al plástico.
- Evite sobrecargar la lijadora. Las sobrecargas resultarán en una velocidad y eficiencia considerablemente menores y la unidad se calentará. En este caso, opere la lijadora sin carga por uno o dos minutos.

Limpeza



ADVERTENCIA: Sople la suciedad y el polvo de todos los conductos de ventilación con aire seco, al menos una vez por semana. Para reducir el riesgo de lesiones, utilice siempre protección para los ojos aprobada ANSI Z87.1 al realizar esta tarea.



ADVERTENCIA: Nunca utilice solventes ni otros químicos abrasivos para limpiar las piezas no metálicas de la herramienta. Estos productos químicos pueden debilitar los materiales plásticos utilizados en estas piezas. Utilice un paño humedecido sólo con agua y jabón neutro. Nunca permita que penetre líquido dentro de la herramienta ni sumerja ninguna de las piezas en un líquido.

Accesorios



ADVERTENCIA: Debido a que no se han probado con este producto otros accesorios que no sean los que ofrece DeWALT, el uso de dichos accesorios con esta herramienta podría ser peligroso. Para reducir el riesgo de lesiones, con este producto deben usarse sólo los accesorios recomendados por DeWALT.

Los accesorios que se recomiendan para utilizar con la herramienta están disponibles a un costo adicional en su distribuidor local o en un centro de mantenimiento autorizado. Si necesita ayuda para localizar algún accesorio, póngase en contacto con DeWALT, llame al 1-800-4-DeWALT (1-800-433-9258) o visite nuestro sitio web: www.dewalt.com.

Se incluye un puerto de polvo con la unidad que se adapta a baterías 5Ah y menores.

Hay un puerto de polvo disponible como parte de servicio (N684701) para baterías 6Ah y mayores.

Reparaciones

El Cargador y las unidades de batería no pueden ser reparados. El cargador y la unidad de batería no contienen piezas reparables.



ADVERTENCIA: Para asegurar la **SEGURIDAD** y la **CONFIABILIDAD** del producto, las reparaciones, el mantenimiento y los ajustes (inclusive la inspección y el cambio de las escobillas, cuando proceda) deben ser realizados en un centro de mantenimiento en la fábrica DeWALT u en un centro de mantenimiento autorizado DeWALT. Utilice siempre piezas de repuesto idénticas.

Para reparación y servicio de sus herramientas eléctricas, favor de dirigirse al Centro de Servicio más cercano

CULIACAN, SIN

Bldv. Emiliano Zapata 5400-1 Poniente Col. (667) 717 89 99
San Rafael

GUADALAJARA, JAL

Av. La Paz #1779 - Col. Americana Sector (33) 3825 6978
Juárez

MEXICO, D.F.

Eje Central Lázaro Cárdenas No. 18 - Local (55) 5588 9377
D, Col. Obrera

MERIDA, YUC

Calle 63 #459-A - Col. Centro (999) 928 5038

MONTERREY, N.L.

Av. Francisco I. Madero 831 Poniente - Col. (818) 375 23 13
Centro

PUEBLA, PUE

17 Norte #205 - Col. Centro (222) 246 3714

QUERETARO, QRO

Av. San Roque 274 - Col. San Gregorio (442) 2 17 63 14

SAN LUIS POTOSI, SLP

Av. Universidad 1525 - Col. San Luis (444) 814 2383

TORREON, COAH

Bldv. Independencia, 96 Pte. - Col. Centro (871) 716 5265

VERACRUZ, VER

Prolongación Díaz Mirón #4280 - Col. (229) 921 7016
Remes

VILLAHERMOSA, TAB

Constitución 516-A - Col. Centro (993) 312 5111

PARA OTRAS LOCALIDADES:

**Si se encuentra en México, por favor llame al
(55) 5326 7100**

**Si se encuentra en U.S., por favor llame al
1-800-433-9258 (1-800 4-DeWALT)**

Póliza de Garantía

IDENTIFICACIÓN DEL PRODUCTO:

Sello o firma del Distribuidor: _____

Nombre del producto: _____

Mod./Cat.: _____

Marca: _____

Núm. de serie: _____

(Datos para ser llenados por el distribuidor)

Fecha de compra y/o entrega del producto: _____

Nombre y domicilio del distribuidor donde se adquirió el producto: _____

Este producto está garantizado por un año a partir de la fecha de entrega, contra cualquier defecto en su funcionamiento, así como en materiales y mano de obra empleados para su fabricación. Nuestra garantía incluye la reparación o reposición del producto y/o componentes sin cargo alguno para el cliente, incluyendo mano de obra, así como los gastos de transportación razonablemente erogados derivados del cumplimiento de este certificado. Para hacer efectiva esta garantía deberá presentar su herramienta y esta póliza sellada por el establecimiento comercial donde se adquirió el producto, de no contar con ésta, bastará la factura de compra.

Excepciones

Esta garantía no será válida en los siguientes casos:

- Cuando el producto se hubiese utilizado en condiciones distintas a las normales;
- Cuando el producto no hubiese sido operado de acuerdo con el instructivo de uso que se acompaña;
- Cuando el producto hubiese sido alterado o reparado por personas distintas a las enlistadas al final de este certificado.

Anexo encontrará una relación de sucursales de servicio de fábrica, centros de servicio autorizados y franquiciados en la República Mexicana, donde podrá hacer efectiva su garantía y adquirir partes, refacciones y accesorios originales.

Solamente para propósito de México:

Importado por: DeWALT. Tool Co. S.A. de C.V.

Avenida Antonio Dovali Jaime, # 70 Torre B Piso 9

Colonia La Fe, Santa Fé

Código Postal : 01210

Delegación Alvaro Obregón

México D.F.

Tel. (52) 555-326-7100

R.F.C.: BDE810626-1W7

Registro en Línea

Gracias por su compra. Registre su producto ahora para:

- **SERVICIO EN GARANTÍA:** Si completa esta tarjeta, podrá obtener un servicio en garantía más eficiente, en caso de que exista un problema con su producto.

- **CONFIRMACIÓN DE PROPIEDAD:** En caso de una pérdida que cubra el seguro, como un incendio, una inundación o un robo, el registro de propiedad servirá como comprobante de compra.
- **PARA SU SEGURIDAD:** Si registra el producto, podremos comunicarnos con usted en el caso improbable que se deba enviar una notificación de seguridad conforme a la Federal Consumer Safety Act (Ley Federal de Seguridad de Productos para el Consumidor).
- Registro en línea en www.dewalt.com.

Garantía Limitada por Tres Años

DeWALT reparará o reemplazará, sin cargo, cualquier defecto debido a materiales o mano de obra defectuosos por tres años desde la fecha de compra (dos años para las baterías). Esta garantía no cubre falla de partes debido al desgaste normal o abuso de la herramienta. Para detalles adicionales de la cobertura de la garantía e información de reparación de garantía, visite www.dewalt.com o llame al 1-800-4-DeWALT (1-800-433-9258). Esta garantía no se aplica a accesorios o daño causado cuando otros hayan realizado o intentado reparaciones. **ESTA GARANTÍA LIMITADA SE OTORGA EN LUGAR DE TODAS LAS DEMÁS, INCLUIDA LA GARANTÍA IMPLÍCITA DE COMERCIABILIDAD E IDONEIDAD PARA UN PROPÓSITO EN PARTICULAR, Y EXCLUYE TODOS LOS DAÑOS INCIDENTALES O EN CONSECUENCIA.** Algunos estados no permiten limitaciones sobre la duración de una garantía implícita o la exclusión o limitación de daños incidentales o en consecuencia, por lo que estas limitaciones pueden no aplicarse en su caso. Esta garantía le da derechos legales específicos y puede tener otros derechos que varían en ciertos estados o provincias. Además de la garantía, las herramientas DeWALT están cubiertas por:

1 AÑO DE SERVICIO GRATUITO

DeWALT mantendrá la herramienta y reemplazará las piezas gastadas por su uso normal, sin cobro, en cualquier momento durante un año a contar de la fecha de compra

2 AÑOS DE SERVICIO GRATUITO PARA UNIDADES DE ALIMENTACIÓN DeWALT

DC9071, DC9091, DC9096, DC9182, DC9280, DC9360, DCB120, DCB122, DCB124, DCB127, DCB201, DCB203BT, DCB207, DCB361

3 AÑOS DE SERVICIO GRATUITO PARA UNIDADES DE ALIMENTACIÓN DeWALT

DCB200, DCB203, DCB204, DCB204BT, DCB205, DCB205BT, DCB206, DCB230, DCB606, DCB609, DCB612

NOTA: La garantía del producto quedará nula si la unidad de batería ha sido alterada de cualquier manera. DeWALT no es responsable de ninguna lesión causada por alteraciones y podrá iniciar un procedimiento judicial por fraude de garantía hasta el máximo grado permisible por la ley.

GARANTÍA DE REEMBOLSO DE SU DINERO POR 90 DÍAS

Si no está completamente satisfecho con el desempeño de su máquina herramienta o clavadora DeWALT, cualquiera sea el motivo, podrá devolverlo hasta 90 días de la fecha de compra con su recibo y obtener el reembolso completo de su dinero – sin necesidad de responder a ninguna pregunta.

AMÉRICA LATINA: Esta garantía no se aplica a los productos que se venden en América Latina. Para los productos que se venden en América Latina, debe consultar la información de la garantía específica del país que viene en el empaque, llamar a la compañía local o visitar el sitio Web a fin de obtener esa información.

REEMPLAZO GRATUITO DE LAS ETIQUETAS DE ADVERTENCIAS:

Si sus etiquetas de advertencia se vuelven ilegibles o faltan, llame al 1-800-4-DeWALT (1-800-433-9258) para que se le reemplacen gratuitamente.

ESPECIFICACIONES

DCW200

20 V Máx*

**Compatible battery packs and chargers / Blocs-piles et chargeurs compatibles /
Baterías y cargadores compatibles**

20V Max* Li-Ion	Battery Packs Blocs-piles Baterías	DCB200, DCB201, DCB203, DCB204, DCB204BT**, DCB205, DCB205BT**, DCB206, DCB208, DCB230, DCB240
	Chargers Chargeurs Cargadores	DCB101, DCB103, DCB104, DCB107, DCB112, DCB113, DCB115, DCB118, DCB132
60V Max* Li-Ion	Battery Packs Blocs-piles Baterías	DCB606, DCB609, DCB612
	Chargers Chargeurs Cargadores	DCB101, DCB103, DCB104, DCB107, DCB112, DCB113, DCB115, DCB118, DCB132

* *Maximum initial battery voltage (measured without a workload) is 12, 20, 60 or 120 volts. Nominal voltage is 10.8, 18, 54 or 108. (120V Max* is based on using 2 DEWALT 60V Max* lithium-ion batteries combined.)*

* *La tension initiale maximum du bloc-piles (mesurée à vide) est de 12, 20, 60 ou 120 volts. La tension nominale est de 10,8, 18, 54 ou 108. (120 V max* se base sur l'utilisation combinée de 2 blocs-piles au lithium ion DEWALT de 60 V max*).*

* *El máximo voltaje inicial de la batería (medido sin carga de trabajo) es 12, 20 o 60 voltios. El voltaje nominal es de 10,8, 18, 54 o 108 V. (120 V Máx* se basan en el uso de 2 baterías de iones de litio DEWALT de 60 V Máx* combinadas.)*

**BT - Bluetooth®

NOTE: The Bluetooth® word mark and logos are registered trademarks owned by the Bluetooth®, SIG, Inc. and any use of such marks by DEWALT is under license. Other trademarks and trade names are those of their respective owners.

REMARQUE : le mot servant de marque et les logos Bluetooth® sont des marques déposées appartenant à Bluetooth SIG, Inc. et toute utilisation de ces marques par DEWALT est sous licence. Les autres marques de commerce et noms commerciaux sont ceux de leurs détenteurs respectifs.

NOTA: La palabra y los logotipos de Bluetooth® son marcas registradas propiedad de Bluetooth®, SIG, Inc. y DEWALT utiliza dichas marcas bajo licencia. Otras marcas comerciales y nombres comerciales pertenecen a sus respectivos propietarios.

DEWALT Industrial Tool Co. 701 East Joppa Road, Towson, MD 21286

Copyright © 2019

The following are trademarks for one or more DEWALT power tools: the yellow and black color scheme, the "D" shaped air intake grill, the array of pyramids on the handgrip, the kit box configuration, and the array of lozenge-shaped humps on the surface of the tool.

08/19 Part No. N736731