

DEWALT®



**Instruction Manual
Guide D'utilisation
Manual de instrucciones**

DCPH820

20V Max* Pole Hedge Trimmer

Taille-haie télescopique 20 V max*

Cortasetos de altura de 20 V Máx*

www.DEWALT.com

**If you have questions or comments, contact us.
Pour toute question ou tout commentaire, nous contacter.
Si tiene dudas o comentarios, contáctenos.**

1-800-4-DEWALT

English (**original instructions**)

1

Français (*traduction de la notice d'instructions originale*)

15

Español (*traducido de las instrucciones originales*)

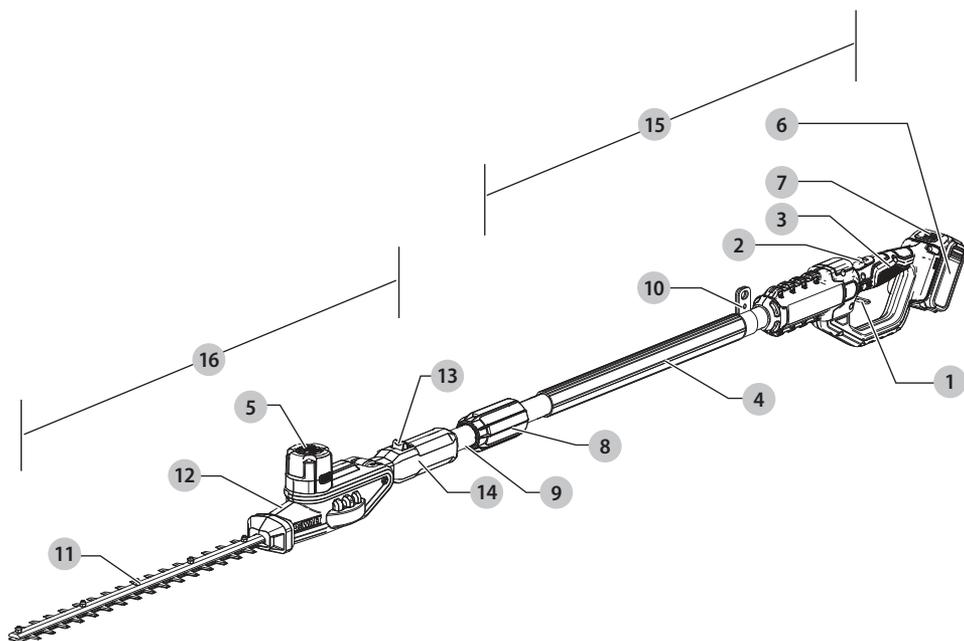
31

Definitions: Safety Alert Symbols and Words

This instruction manual uses the following safety alert symbols and words to alert you to hazardous situations and your risk of personal injury or property damage.

-  **DANGER:** Indicates an imminently hazardous situation which, if not avoided, **will** result in **death or serious injury**.
-  **WARNING:** Indicates a potentially hazardous situation which, if not avoided, **could** result in **death or serious injury**.
-  **CAUTION:** Indicates a potentially hazardous situation which, if not avoided, **may** result in **minor or moderate injury**.
-  (Used without word) Indicates a safety related message.
- NOTICE:** Indicates a practice **not related to personal injury** which, if not avoided, **may** result in **property damage**.

Fig. A



- | | |
|--------------------------|--------------------------------|
| 1 On/Off trigger | 10 Strap mount |
| 2 Lock-off lever | 11 Trimmer blade |
| 3 Handle | 12 Pivoting trimmer head |
| 4 Auxiliary handle | 13 Trimmer head locking button |
| 5 Motor housing | 14 Trimmer head handle |
| 6 Battery pack | 15 Handle assembly |
| 7 Battery release button | 16 Trimmer head assembly |
| 8 Threaded sleeve | |
| 9 Threaded pole | |

 **WARNING: Read all safety warnings and all instructions.** Failure to follow the warnings and instructions may result in electric shock, fire and/or serious injury.

 **WARNING: To reduce the risk of injury, read the instruction manual.**

If you have any questions or comments about this or any product, call DeWALT toll free at: (1-800-433-9258).

20V Max* Pole Hedge Trimmer DCPH820

GENERAL POWER TOOL SAFETY WARNINGS



WARNING: Read all safety warnings, instructions, illustrations and specifications provided with this power tool. Failure to follow all instructions listed below may result in electric shock, fire and/or serious injury.

SAVE ALL WARNINGS AND INSTRUCTIONS FOR FUTURE REFERENCE.

The term "power tool" in the warnings refers to your mains-operated (corded) power tool or battery-operated (cordless) power tool.

1) Work Area Safety

- a) **Keep work area clean and well lit.** Cluttered or dark areas invite accidents.
- b) **Do not operate power tools in explosive atmospheres, such as in the presence of flammable liquids, gases or dust.** Power tools create sparks which may ignite the dust or fumes.
- c) **Keep children and bystanders away while operating a power tool.** Distractions can cause you to lose control.

2) Electrical Safety

- a) **Power tool plugs must match the outlet. Never modify the plug in any way. Do not use any adapter plugs with earthed (grounded) power tools.** Unmodified plugs and matching outlets will reduce risk of electric shock.
- b) **Avoid body contact with earthed or grounded surfaces, such as pipes, radiators, ranges and refrigerators.** There is an increased risk of electric shock if your body is earthed or grounded.
- c) **Do not expose power tools to rain or wet conditions.** Water entering a power tool will increase the risk of electric shock.
- d) **Do not abuse the cord. Never use the cord for carrying, pulling or unplugging the power tool. Keep cord away from heat, oil, sharp edges or moving parts.** Damaged or entangled cords increase the risk of electric shock.
- e) **When operating a power tool outdoors, use an extension cord suitable for outdoor use.** Use of a cord suitable for outdoor use reduces the risk of electric shock.
- f) **If operating a power tool in a damp location is unavoidable, use a ground fault circuit interrupter (GFCI) protected supply.** Use of a GFCI reduces the risk of electric shock.

3) Personal Safety

- a) **Stay alert, watch what you are doing and use common sense when operating a power tool. Do not use a power tool while you are tired or under**

the influence of drugs, alcohol or medication. A moment of inattention while operating power tools may result in serious personal injury.

- b) **Use personal protective equipment. Always wear eye protection.** Protective equipment such as a dust mask, non-skid safety shoes, hard hat, or hearing protection used for appropriate conditions will reduce personal injuries.
- c) **Prevent unintentional starting. Ensure the switch is in the off-position before connecting to power source and/or battery pack, picking up or carrying the tool.** Carrying power tools with your finger on the switch or energizing power tools that have the switch on invites accidents.
- d) **Remove any adjusting key or wrench before turning the power tool on.** A wrench or a key left attached to a rotating part of the power tool may result in personal injury.
- e) **Do not overreach. Keep proper footing and balance at all times.** This enables better control of the power tool in unexpected situations.
- f) **Dress properly. Do not wear loose clothing or jewelry. Keep your hair, clothing and gloves away from moving parts.** Loose clothes, jewelry or long hair can be caught in moving parts.
- g) **If devices are provided for the connection of dust extraction and collection facilities, ensure these are connected and properly used.** Use of dust collection can reduce dust-related hazards.
- h) **Do not let familiarity gained from frequent use of tools allow you to become complacent and ignore tool safety principles.** A careless action can cause severe injury within a fraction of a second.

4) Power Tool Use and Care

- a) **Do not force the power tool. Use the correct power tool for your application.** The correct power tool will do the job better and safer at the rate for which it was designed.
- b) **Do not use the power tool if the switch does not turn it on and off.** Any power tool that cannot be controlled with the switch is dangerous and must be repaired.
- c) **Disconnect the plug from the power source and/or remove the battery pack, if detachable, from the power tool before making any adjustments, changing accessories, or storing power tools.** Such preventive safety measures reduce the risk of starting the power tool accidentally.
- d) **Store idle power tools out of the reach of children and do not allow persons unfamiliar with the power tool or these instructions to operate the power tool.** Power tools are dangerous in the hands of untrained users.
- e) **Maintain power tools and accessories. Check for misalignment or binding of moving parts, breakage of parts and any other condition**

that may affect the power tool's operation. If damaged, have the power tool repaired before use. Many accidents are caused by poorly maintained power tools.

- f) **Keep cutting tools sharp and clean.** Properly maintained cutting tools with sharp cutting edges are less likely to bind and are easier to control.
- g) **Use the power tool, accessories and tool bits etc. in accordance with these instructions, taking into account the working conditions and the work to be performed.** Use of the power tool for operations different from those intended could result in a hazardous situation.
- h) **Keep handles and grasping surfaces dry, clean and free from oil and grease.** Slippery handles and grasping surfaces do not allow for safe handling and control of the tool in unexpected situations.

5) Battery Tool Use and Care

- a) **Recharge only with the charger specified by the manufacturer.** A charger that is suitable for one type of battery pack may create a risk of fire when used with another battery pack.
- b) **Use power tools only with specifically designated battery packs.** Use of any other battery packs may create a risk of injury and fire.
- c) **When battery pack is not in use, keep it away from other metal objects, like paper clips, coins, keys, nails, screws or other small metal objects, that can make a connection from one terminal to another.** Shorting the battery terminals together may cause burns or a fire.
- d) **Under abusive conditions, liquid may be ejected from the battery; avoid contact. If contact accidentally occurs, flush with water. If liquid contacts eyes, additionally seek medical help.** Liquid ejected from the battery may cause irritation or burns.
- e) **Do not use a battery pack or tool that is damaged or modified.** Damaged or modified batteries may exhibit unpredictable behavior resulting in fire, explosion or risk of injury.
- f) **Do not expose a battery pack or tool to fire or excessive temperature.** Exposure to fire or temperature above 265 °F (130 °C) may cause explosion.
- g) **Follow all charging instructions and do not charge the battery pack or tool outside the temperature range specified in the instructions.** Charging improperly or at temperatures outside the specified range may damage the battery and increase the risk of fire.

6) Service

- a) **Have your power tool serviced by a qualified repair person using only identical replacement parts.** This will ensure that the safety of the power tool is maintained.
- b) **Never service damaged battery packs.** Service of battery packs should only be performed by the manufacturer or authorized service providers.

Hedge Trimmer Safety Warnings

- **Use both hands when operating the hedge trimmer.** Using one hand could cause loss of control and result in serious personal injury.
- **Keep all parts of the body away from the cutter blade. Do not remove cut material or hold material to be cut when blades are moving. Make sure the switch is off when clearing jammed material. Blades coast after turn off.** A moment of inattention while operating the hedge trimmer may result in serious personal injury.
- **Carry the hedge trimmer by the switch handle with the cutter blade stopped.** Proper handling of the hedge trimmer will reduce possible personal injury from the cutter blades.
- **Hold the power tool by insulated gripping surfaces only, because the cutter blade may contact hidden wiring.** Cutter blades contacting a "live" wire may make exposed metal parts of the power tool "live" and could give the operator an electric shock.
- **Check the hedge for foreign objects, e.g. wire fences.**



DANGER: Keep hands away from blade. Contact with blade will result in serious personal injury.



WARNING: Wear eye protection.



WARNING: Do not expose to rain.

Safety Instructions for Extended-Reach Hedge Trimmers

- **Do not use the extended-reach hedge trimmer in bad weather conditions, especially when there is a risk of lightning.** This decreases the risk of being struck by lightning.
- **To reduce the risk of electrocution, never use near any electrical power lines.** Contact with or use near power lines may cause serious injury or electric shock resulting in death.
- **Always use two hands when operating the extended-reach hedge trimmer.** Hold the extended-reach hedge trimmer with both hands to avoid loss of control.
- **Always use head protection when operating the extended-reach hedge trimmer overhead.** Falling debris can result in serious personal injury. Use a hard hat compliant with ANSI Z89.1 (CAN/CSA Z94.1).



CAUTION: Do not expose to rain.

Important Safety Rules



WARNING: Read and understand all instructions. Failure to follow all instructions listed below may result in electric shock, fire and/or serious personal injury.

SAVE THESE INSTRUCTIONS

Before Operating Pole Hedge Trimmer



CAUTION: The unit has not been designed to provide protection from electric shock in the event of contact with overhead electric lines. Consult local regulations for safe distances from overhead electric power lines and ensure that the operating position is safe and secure before operating the extended reach hedge trimmer.

- For safe operation, read and understand all instructions before using the Pole Hedge Trimmer. Follow all safety instructions. Failure to follow all safety instructions listed below, can result in serious personal injury.
- Watch what you are doing. Use common sense. Do not operate Pole Hedge Trimmer when you are tired.
- Only well-instructed adults should operate Pole Hedge Trimmer. Never allow children to operate.
- Do not use Pole Hedge Trimmer for any job except that for which it is intended.
- Do not allow children or untrained individuals to use this unit.
- Wear the following safety gear when operating Pole Hedge Trimmer:
 - heavy-duty gloves
 - substantial footwear
 - safety glasses, goggles or face screen that are marked to comply with ANSI Z87.1
 - face or dust mask (if working in dusty areas)
- Do not wear loose fitting clothing, or jewelry of any kind that could get caught in the moving blades or parts of the Pole Hedge Trimmer.
- Secure long hair so it is above shoulder level to prevent entanglement in any moving parts.

While Operating Pole Hedge Trimmer

- Stay alert. Use common sense while operating the unit.
- Keep work area clean. Cluttered areas invite injuries.
- Keep children, animals and bystanders at a safe distance away from Pole Hedge Trimmer. Only Pole Hedge Trimmer user should be in work area.
- Grip Pole Hedge Trimmer securely - one hand on the foam gripper, the other on the main handle.
- Keep finger off trigger until ready to use.
- Before starting Pole Hedge Trimmer, make sure blades are not touching anything.
- Keep all parts of body away from blades when Pole Hedge Trimmer is running.
- Carry Pole Hedge Trimmer from one place to another
 - with battery removed
 - by holding pole at balance point
 - with blades to rear
- Do not operate in poor lighting.
- During operation, rest periodically and change working positions to reduce fatigue.

- Keep firm footing and balance. Do not overreach. Overreaching can result in loss of balance or exposure to sharp surfaces.
- Do not, under any circumstance, use any attachment or accessory on this product, which was not provided with the product, or identified as appropriate for use with this product in this Instruction Manual.

Do Not Operate Pole Hedge Trimmer

- While under the influence of alcohol, medication, or drugs in rain or in damp or wet areas
- Where highly flammable liquids or gases are present
- If Pole Hedge Trimmer is damaged, adjusted wrong, or not fully and securely assembled
- If trigger does not turn Pole Hedge Trimmer on and off. Blades must stop moving when you release trigger. Have faulty switch replaced by authorized service center. See **Repairs**.
- While in a hurry
- While in tree or on a ladder
- While on aerial booms, buckets or platforms
- During high wind or storming weather

General Safety Rules



WARNING: Shock Hazard. To protect yourself from electrocution, do not operate within 10 feet (3 m) of overhead electrical lines. Consult local regulations for safe distances from overhead electric power lines and ensure that the operating position is safe and secure before operating the extended reach hedge trimmer. Failure to do this could result in severe personal injury.

- Keep the handles dry, clean, and free of oil.
- Make sure cutting blades have stopped before setting unit down.
- **DANGER: RISK OF CUT.** Keep hands away from blades. Keep both hands on handles when Pole Hedge Trimmer is on.
- **DO NOT ATTEMPT** to remove cut material or hold material to be cut when blades are moving. Remove battery when clearing jammed material from blades. Do not grasp the exposed cutting blades or cutting edges when picking up or holding the Pole Hedge Trimmer.
- **CAUTION:** Blades coast after turn off.
- **DON'T FORCE POLE HEDGE TRIMMER** - It will do the job better and with less likelihood of a risk of injury at the rate for which it was designed.
- **DISCONNECT BATTERY** from the Pole Hedge Trimmer when not in use or when servicing or cleaning.
- **STORE IDLE POLE HEDGE TRIMMER INDOORS** - When not in use, Pole Hedge Trimmer should be stored indoors in a dry and high or locked-up place out of reach of children.
- **MAINTAIN POLE HEDGE TRIMMER WITH CARE** - Keep cutting blades sharp and clean for best performance and to reduce the risk of injury. Keep handles dry, clean and free from oil and grease.

- **CHECK DAMAGED PARTS** - Before further use of the Pole Hedge Trimmer, a guard or other part that is damaged should be carefully checked to determine that it will operate properly and perform its intended function. Check for alignment of moving parts, binding of moving parts, breakage of parts, mounting and any other condition that may affect its operation. A guard or other part that is damaged should be properly repaired or replaced by an authorized service center unless otherwise indicated elsewhere in this manual.

Service

- **Tool service must be performed only by qualified repair personnel.** Service or maintenance performed by unqualified personnel could result in a risk of injury. See **Repairs**.
- **When servicing a tool, use only identical replacement parts. Follow instructions in the Maintenance section of this manual.** Use of unauthorized parts or failure to follow Maintenance Instructions may create a risk of electric shock or injury.

Specific Safety Rules

- **Hold tool by insulated gripping surfaces when performing an operation where the cutting tool may contact hidden wiring.** Contact with a "live" wire will make exposed metal parts of the tool "live" and shock the operator.

Additional Safety Information

 **WARNING:** Never modify the power tool or any part of it. Damage or personal injury could result.

 **WARNING: ALWAYS** use safety glasses. Everyday eyeglasses are NOT safety glasses. Also use face or dust mask if operation is dusty. ALWAYS WEAR CERTIFIED SAFETY EQUIPMENT:

- ANSI Z87.1 eye protection (CAN/CSA Z94.3),
- ANSI S12.6 (S3.19) hearing protection,
- NIOSH/OSHA/MSHA respiratory protection.

 **WARNING:** Some dust contains chemicals known to State of California to cause cancer, birth defects or other reproductive harm. Some examples of these chemicals are:

- compounds in fertilizers,
- compounds in insecticides, herbicides and pesticides,
- arsenic and chromium from chemically treated lumber.

To reduce your exposure to these chemicals, wear approved safety equipment such as dust masks that are specially designed to filter out microscopic particles.

 **WARNING:** Use of this tool can generate and/or disperse dust, which may cause serious and permanent respiratory or other injury. Always use NIOSH/OSHA approved respiratory protection appropriate for the dust exposure. Direct particles away from face and body.



WARNING: Always wear proper personal hearing protection that conforms to ANSI S12.6 (S3.19) during use. Under some conditions and duration of use, noise from this product may contribute to hearing loss.



CAUTION: When not in use, place tool on its side on a stable surface where it will not cause a tripping or falling hazard. Some tools with a large battery pack will stand upright but may be easily knocked over.

- **Air vents often cover moving parts and should be avoided.** Loose clothes, jewelry or long hair can be caught in moving parts.

The label on your tool may include the following symbols. The symbols and their definitions are as follows:

V..... volts	 or AC/DC..... alternating or direct current
Hz..... hertz	 Class II Construction (double insulated)
min..... minutes	 no load speed
— — or DC..... direct current	 rated speed
 Class I Construction (grounded)	 earthing terminal
.../min..... per minute	 safety alert symbol
BPM..... beats per minute	 visible radiation
IPM..... impacts per minute	 avoid staring at light
RPM..... revolutions per minute	 wear respiratory protection
sfpm..... surface feet per minute	 wear eye protection
SPM..... strokes per minute	 wear hearing protection
OPM..... oscillations per minute	 read all documentation
A..... amperes	 IPXX..... IP symbol
W..... watts	
 or AC..... alternating current	

BATTERIES AND CHARGERS

The battery pack is not fully charged out of the carton. Before using the battery pack and charger, read the safety instructions below and then follow charging procedures outlined. When ordering replacement battery packs, be sure to include the catalog number and voltage.

READ ALL INSTRUCTIONS

Important Safety Instructions for All Battery Packs



WARNING: Read all safety warnings, instructions, and cautionary markings for the battery pack, charger and product. Failure to follow the warnings and instructions may result in electric shock, fire and/or serious injury.

- **Do not charge or use the battery pack in explosive atmospheres, such as in the presence of flammable liquids, gases or dust.** Inserting or removing the battery pack from the charger may ignite the dust or fumes.
- **When battery pack is not in use, keep it away from other metal objects, like paper clips, coins, keys, nails, screws, or other small metal objects, that can make a connection from one terminal to another.** Shorting the battery terminals together may cause burns or a fire.
- **NEVER force the battery pack into the charger. DO NOT modify the battery pack in any way to fit into a non-compatible charger as battery pack may rupture causing serious personal injury.** Consult the chart at the end of this manual for compatibility of batteries and chargers.
- Charge the battery packs only in DEWALT chargers.
- **DO NOT splash or immerse in water or other liquids.**
- **Do not store or use the tool and battery pack in locations where the temperature may reach or exceed 104 °F (40 °C) (such as outside sheds or metal buildings in summer).** For best life store battery packs in a cool, dry location.
NOTE: Do not store the battery packs in a tool with the trigger switch locked on. Never tape the trigger switch in the ON position.
- **Do not expose battery pack or tool/appliance to fire or excessive temperature.** Exposure to fire or temperature above 265 °F (130 °C) may cause explosion.
- **Do not incinerate the battery pack even if it is severely damaged or is completely worn out.** The battery pack can explode in a fire. Toxic fumes and materials are created when lithium-ion battery packs are burned.
- **If battery contents come into contact with the skin, immediately wash area with mild soap and water.** If battery liquid gets into the eye, rinse water over the open eye for 15 minutes or until irritation ceases. If medical attention is needed, the battery electrolyte is composed of a mixture of liquid organic carbonates and lithium salts.
- **Contents of opened battery cells may cause respiratory irritation.** Provide fresh air. If symptoms persist, seek medical attention.

 **WARNING: Burn hazard.** Battery liquid may be flammable if exposed to spark or flame.

 **WARNING: Fire hazard.** Never attempt to open the battery pack for any reason. If the battery pack case is cracked or damaged, do not insert into the charger. Do not crush, drop or damage the battery pack. Do not use a battery pack or charger that has received a sharp blow, been dropped, run over or damaged in any way (e.g., pierced with a nail, hit with a hammer, stepped on). Damaged battery packs should be returned to the service center for recycling.

Storage Recommendations

1. The best storage place is one that is cool and dry, away from direct sunlight and excess heat or cold.
2. For long storage, it is recommended to store a fully charged battery pack in a cool dry place out of the charger for optimal results.

NOTE: Battery packs should not be stored completely depleted of charge. The battery pack will need to be recharged before use.

Battery Pack Cleaning Instructions

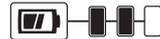
Dirt and grease may be removed from the exterior of the battery using a cloth or soft non-metallic brush. Do not use water or any cleaning solutions.

Fuel Gauge Battery Packs

Some DEWALT battery packs include a fuel gauge which consists of three green LED lights that indicate the level of charge remaining in the battery pack.

The fuel gauge is an indication of approximate levels of charge remaining in the battery pack according to the following indicators:

 75–100% charged

 51–74% charged

 < 50% charged

 Pack needs to be charged

To actuate the fuel gauge, press and hold the fuel gauge button. A combination of the three green LED lights will illuminate designating the level of charge left. When the level of charge in the battery is below the usable limit, the fuel gauge will not illuminate and the battery will need to be recharged.

NOTE: The fuel gauge is only an indication of the charge left on the battery pack. It does not indicate tool functionality and is subject to variation based on product components, temperature and end-user application.

For more information regarding fuel gauge battery packs, please contact 1-800-4-DEWALT (1-800-433-9258) or visit our website www.dewalt.com.

Transportation

 **WARNING: Fire hazard. Do not store or carry the battery pack so that metal objects can contact exposed battery terminals.** For example, do not place the battery pack in aprons, pockets, tool boxes, product kit boxes, drawers, etc., with loose nails, screws, keys, etc. **Transporting batteries can possibly cause fires if the battery terminals inadvertently come in contact with conductive materials such as keys, coins, hand tools and the like.** The US Department of Transportation Hazardous Material Regulations (HMR) actually prohibit transporting batteries in commerce or on airplanes in carry-on baggage UNLESS they are properly protected

from short circuits. So when transporting individual battery packs, make sure that the battery terminals are protected and well insulated from materials that could contact them and cause a short circuit. **NOTE:** Li-ion batteries should not be put in checked baggage.

The RBRC® Seal

The RBRC® (Rechargeable Battery Recycling Corporation) Seal on the nickel cadmium, nickel metal hydride or lithium-ion batteries (or battery packs) indicates that the costs to recycle these batteries (or battery packs) at the end of their useful life have already been paid by DEWALT. In some areas, it is illegal to place spent nickel cadmium, nickel metal hydride or lithium-ion batteries in the trash or municipal solid waste stream and the Call 2 Recycle® program provides an environmentally conscious alternative.

Call 2 Recycle, Inc., in cooperation with DEWALT and other battery users, has established the program in the United States and Canada to facilitate the collection of spent nickel cadmium, nickel metal hydride or lithium-ion batteries. Help protect our environment and conserve natural resources by returning the spent nickel cadmium, nickel metal hydride or lithium-ion batteries to an authorized DEWALT service center or to your local retailer for recycling. You may also contact your local recycling center for information on where to drop off the spent battery. RBRC® is a registered trademark of Call 2 Recycle, Inc.

Shipping the DEWALT FLEXVOLT™ Battery

The DEWALT FLEXVOLT™ battery has two modes: **Use** and **Shipping**.

Use Mode: When the FLEXVOLT™ battery stands alone or is in a DEWALT 20V Max* product, it will operate as a 20V Max* battery. When the FLEXVOLT™ battery is in a 60V Max* or a 120V Max* (two 60V Max* batteries) product, it will operate as a 60V Max* battery.

Shipping Mode: When the cap is attached to the FLEXVOLT™ battery, the battery is in Shipping Mode. Strings of cells are

electrically disconnected within the pack resulting in three batteries with a lower Watt hour (Wh) rating as compared to one battery with a higher Watt hour rating. This increased quantity of three batteries with the lower Watt hour rating can exempt the pack from certain shipping regulations that are imposed upon the higher Watt hour batteries.

The battery label indicates two Watt hour ratings (see example). Depending on how the battery is shipped, the appropriate Watt hour rating must be used to determine the applicable shipping requirements. If utilizing the shipping cap, the pack will be considered 3 batteries at the Watt hour rating indicated for "Shipping". If shipping without the cap or in a tool, the pack will be considered one battery at the Watt hour rating indicated next to "Use".

Example of Use and Shipping Label Marking

USE: 120 Wh Shipping: 3 x 40 Wh



For example, Shipping Wh rating might indicate 3 x 40 Wh, meaning 3 batteries of 40 Watt hours each. The Use Wh rating might indicate 120 Wh (1 battery implied).

Important Safety Instructions for All Battery Chargers



WARNING: Read all safety warnings, instructions, and cautionary markings for the battery pack, charger and product. Failure to follow the warnings and instructions may result in electric shock, fire and/or serious injury.

- **DO NOT attempt to charge the battery pack with any chargers other than a DEWALT charger.** DEWALT chargers and battery packs are specifically designed to work together.
- **These chargers are not intended for any uses other than charging DEWALT rechargeable batteries.** Any other uses may result in risk of fire, electric shock or electrocution.
- **Do not expose the charger to rain or snow.**
- **Pull by the plug rather than the cord when disconnecting the charger.** This will reduce the risk of damage to the electric plug and cord.
- **Make sure that the cord is located so that it will not be stepped on, tripped over or otherwise subjected to damage or stress.**
- **Do not use an extension cord unless it is absolutely necessary.** Use of improper extension cord could result in risk of fire, electric shock or electrocution.
- **When operating a charger outdoors, always provide a dry location and use an extension cord suitable for outdoor use.** Use of a cord suitable for outdoor use reduces the risk of electric shock.
- **An extension cord must have adequate wire size (AWG or American Wire Gauge) for safety.** The smaller the gauge number of the wire, the greater the capacity of the cable, that is, 16 gauge has more capacity than 18 gauge. An undersized cord will cause a drop in line voltage resulting in loss of power and overheating. When using more than one extension to make up the total length, be sure each individual extension contains at least the minimum wire size. The following table shows the correct size to use depending on cord length and nameplate ampere rating. If in doubt, use the next heavier gauge. The lower the gauge number, the heavier the cord.

Minimum Gauge for Cord Sets

Volts	Total Length of Cord in Feet (meters)				
	120V	25 (7.6)	50 (15.2)	100 (30.5)	150 (45.7)
240V	50 (15.2)	100 (30.5)	200 (61.0)	300 (91.4)	
Ampere Rating		American Wire Gauge			
More Than	Not More Than				
0	6	18	16	16	14
6	10	18	16	14	12
10	12	16	16	14	12
12	16	14	12	Not Recommended	

WARNING: If the plug or power cord is damaged, it must be replaced by the manufacturer or its representative or by an equally qualified person to avoid danger.

- **Do not place any object on top of the charger or place the charger on a soft surface that might block the ventilation slots and result in excessive internal heat.** Place the charger in a position away from any heat source. The charger is ventilated through slots in the top and the bottom of the housing.
- **Do not operate the charger with a damaged cord or plug—have them replaced immediately.**
- **Do not operate the charger if it has received a sharp blow, been dropped or otherwise damaged in any way.** Take it to an authorized service center.
- **Do not disassemble the charger; take it to an authorized service center when service or repair is required.** Incorrect reassembly may result in a risk of electric shock, electrocution or fire.
- **Disconnect the charger from the outlet before attempting any cleaning. This will reduce the risk of electric shock.** Removing the battery pack will not reduce this risk.
- **NEVER attempt to connect 2 chargers together.**
- **The charger is designed to operate on standard 120V household electrical power. Do not attempt to use it on any other voltage.** This does not apply to the vehicular charger.

WARNING: Shock hazard. Do not allow any liquid to get inside the charger. Electric shock may result.

WARNING: Burn hazard. Do not submerge the battery pack in any liquid or allow any liquid to enter the battery pack. Never attempt to open the battery pack for any reason. If the plastic housing of the battery pack breaks or cracks, return to a service center for recycling.

CAUTION: Burn hazard. To reduce the risk of injury, charge only DEWALT rechargeable battery packs. Other types of batteries may overheat and burst resulting in personal injury and property damage.

CAUTION: Under certain conditions, with the charger plugged into the power supply, the charger can be shorted by foreign material. Foreign materials of a conductive nature, such as, but not limited to, grinding dust, metal chips, steel wool, aluminum foil or any buildup of metallic particles should be kept away from the charger cavities. Always unplug the charger from the power supply when there is no battery pack in the cavity. Unplug the charger before attempting to clean.

Charging a Battery

NOTE: To ensure maximum performance and life of lithium-ion battery packs, charge the battery pack fully before first use.

1. Plug the charger into an appropriate outlet before inserting battery pack.
2. Connect the charger and battery pack, making sure the battery is fully seated. The (charging) light will blink

continuously indicating that the charging process has started.

3. The completion of charge will be indicated by the light remaining ON continuously. The battery pack is fully charged and may be removed and used at this time or left in the charger.

NOTE: To remove the battery pack, some chargers require the battery pack release button to be pressed.

Indicators	
 Charging	
 Fully Charged	
 Hot/Cold Pack Delay*	

*DCB107, DCB112, DCB113, DCB115, DCB118, DCB132: The red light will continue to blink, but a yellow indicator light will be illuminated during this operation. Once the battery pack has reached an appropriate temperature, the yellow light will turn off and the charger will resume the charging procedure.

A charger will not charge a faulty battery pack. The charger refusing to light could indicate a problem with the charger or a faulty battery pack.

NOTE: If the charger refuses to light, take the charger and battery pack to be tested at an authorized service center.

Leaving the Battery Pack In the Charger

The charger and battery pack can be left connected with the charge indicator showing pack charged.

Hot/Cold Pack Delay

When the charger detects a battery pack that is too hot or too cold, it automatically starts a Hot/Cold Pack Delay, suspending charging until the battery pack has reached an appropriate temperature. The charger then automatically switches to the pack charging mode. This feature ensures maximum battery pack life.

A cold battery pack may charge at a slower rate than a warm battery pack.

The DCB118 charger is equipped with an internal fan designed to cool the battery pack. The fan will turn on automatically when the battery pack needs to be cooled. Never operate the charger if the fan does not operate properly or if ventilation slots are blocked. Do not permit foreign objects to enter the interior of the charger.

Electronic Protection System

Li-Ion tools are designed with an Electronic Protection System that will protect the battery pack against overloading, overheating or deep discharge.

The tool will automatically turn off if the Electronic Protection System engages. If this occurs, place the lithium-ion battery pack on the charger until it is fully charged.

Important Charging Notes

1. Longest life and best performance can be obtained if the battery pack is charged when the air temperature is between 65 °F – 75 °F (18 °C – 24 °C). DO NOT charge

when the battery pack is below +40 °F (+4.5 °C), or above +104 °F (+40 °C). This is important and will prevent serious damage to the battery pack.

- The charger and battery pack may become warm to the touch while charging. This is a normal condition, and does not indicate a problem. To facilitate the cooling of the battery pack after use, avoid placing the charger or battery pack in a warm environment such as in a metal shed or an uninsulated trailer.
- If the battery pack does not charge properly:
 - Check operation of receptacle by plugging in a lamp or other appliance;
 - Check to see if receptacle is connected to a light switch which turns power off when you turn out the lights;
 - Move the charger and battery pack to a location where the surrounding air temperature is approximately 65 °F – 75 °F (18 °C – 24 °C);
 - If charging problems persist, take the tool, battery pack and charger to your local service center.
- The battery pack should be recharged when it fails to produce sufficient power on jobs which were easily done previously. DO NOT CONTINUE to use under these conditions. Follow the charging procedure. You may also charge a partially used pack whenever you desire with no adverse effect on the battery pack.
- Foreign materials of a conductive nature such as, but not limited to, grinding dust, metal chips, steel wool, aluminum foil, or any buildup of metallic particles should be kept away from charger cavities. Always unplug the charger from the power supply when there is no battery pack in the cavity. Unplug the charger before attempting to clean.
- Do not freeze or immerse the charger in water or any other liquid.

Charger Cleaning Instructions

WARNING: Shock hazard. Disconnect the charger from the AC outlet before cleaning. Dirt and grease may be removed from the exterior of the charger using a cloth or soft non-metallic brush. Do not use water or any cleaning solutions.

Wall Mounting

DCB107, DCB112, DCB113, DCB115, DCB118, DCB132

These chargers are designed to be wall mountable or to sit upright on a table or work surface. If wall mounting, locate the charger within reach of an electrical outlet, and away from a corner or other obstructions which may impede air flow. Use the back of the charger as a template for the location of the mounting screws on the wall. Mount the charger securely using drywall screws (purchased separately) at least 1" (25.4 mm) long, with a screw head diameter of 0.28–0.35" (7–9 mm), screwed into wood to an optimal depth leaving approximately 7/32" (5.5 mm) of the screw exposed. Align the slots on the back of the charger with the exposed screws and fully engage them in the slots.

Intended Use

This pole hedge trimmer is designed for professional landscaping applications.

DO NOT use under wet conditions or in presence of flammable liquids or gases.

DO NOT let children come into contact with the tool. Supervision is required when inexperienced operators use this tool.

ASSEMBLY AND ADJUSTMENTS

WARNING: To reduce the risk of serious personal injury, turn unit off and remove the battery pack before making any adjustments or removing/installing attachments or accessories. An accidental start-up can cause injury.

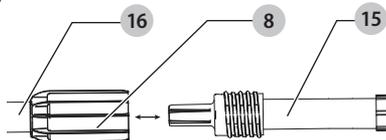
Joining Trimmer Head Assembly to Handle Assembly (Fig. A, B)

Combining the handle assembly **15** to the trimmer head assembly **16** creates a pole trimmer that is approximately 7' (2.1 m) long.

- Align the groove on the outside of the coupling end of the handle assembly **15** with the tongue on the inside of the coupling end of the trimmer head assembly **16**.
- Slide the threaded sleeve **8** on the trimmer head assembly down as far as possible and rotate the sleeve clockwise until it stops and completely covers the threads.

WARNING: Always check to make sure that the sleeve is completely threaded on and that the threads are no longer visible. Not threading the sleeve completely on could result in the assemblies becoming disconnected creating a hazardous condition. Periodically check the connections to ensure that no threads are visible.

Fig. B

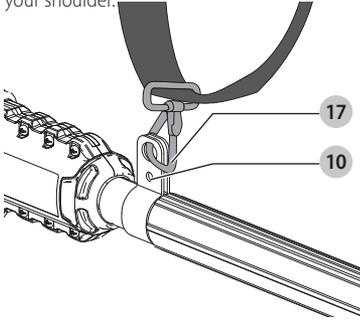


Attaching and Adjusting the Shoulder Strap (Fig. C)

The pole hedge trimmer comes with an adjustable shoulder strap.

1. Snap the shoulder strap latch **17** onto the strap mount **10** located on the unit, just in front of the on/off trigger as shown in Figure C. Adjust the strap so it fits over your shoulder.

Fig. C



Pivoting the Trimmer Head (Fig. A, D, E, G)

The trimmer head pivots 180° and can be locked into 7 different positions within that range. To avoid being pinched, do not grab the blades. Wear gloves and hold unit as shown in Figure G.

⚠ WARNING: Before connecting the battery to the unit, be sure the trimmer head is locked into position.

To Pivot the Trimmer Head

1. With one hand firmly gripping the trimmer head, use the other hand to press the locking button **13** and rotate the trimmer head handle **14** to pivot the trimmer head as shown in Figure E.
2. Lock the trimmer head into one of the seven operating positions. To lock the trimmer head into place, release your grip on the trimmer head handle. Check to make sure that trimmer head is locked into position by trying to move the motor housing. If it is not locked, rotate it to the nearest lock position.

Fig. D

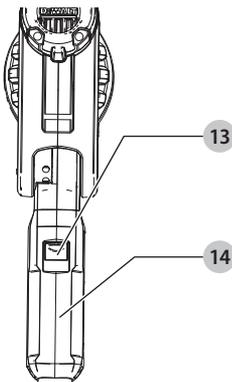
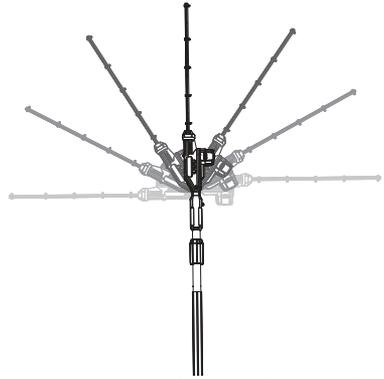


Fig. E



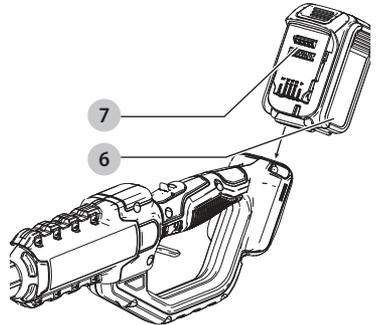
Installing and Removing the Battery Pack (Fig. F)

NOTE: For best results, make sure your battery pack is fully charged.

To install the battery pack **6** into the tool handle, align the battery pack with the rails inside the tool's handle and slide it into the handle until the battery pack is firmly seated in the tool and ensure that it does not disengage.

To remove the battery pack from the tool, press the release button **7** and firmly pull the battery pack out of the tool handle. Insert it into the charger as described in the charger section of this manual

Fig. F



OPERATION

⚠ WARNING: To reduce the risk of serious personal injury, turn unit off and remove the battery pack before making any adjustments or removing/installing attachments or accessories. An accidental start-up can cause injury.

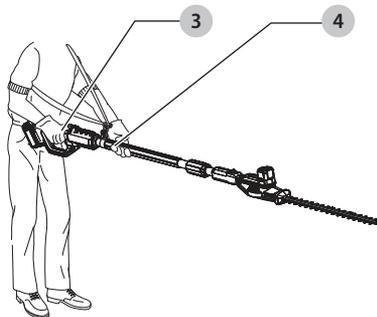
Proper Hand Position (Fig. G)

⚠ WARNING: To reduce the risk of serious personal injury, ALWAYS use proper hand position as shown.

⚠ WARNING: To reduce the risk of serious personal injury, ALWAYS hold securely in anticipation of a sudden reaction.

Proper hand position requires one hand on the main handle **3** and one hand on the auxiliary handle **4**.

Fig. G



Switching Pole Hedge Trimmer On and Off (Fig. A)

Ensure the trimmer head is locked into one of the seven operating positions. Refer to **Pivoting the Trimmer Head** section.

To turn the tool ON pull the lock-off lever **2** back with your thumb and then squeeze the trigger **1**. (Once the tool is running you can release the lock-off lever.)

To turn the tool OFF, release the trigger.

Before Operating Pole Hedge Trimmer



WARNING: *The unit has not been designed to provide protection from electric shock in the event of contact with overhead electric lines. Consult local regulations for safe distances from overhead electric power lines and ensure that the operating position is safe and secure before operating the extended reach hedge trimmer.*

- For safe operation, read and understand all instructions before using the pole hedge trimmer. Follow all safety instructions. Failure to follow all safety instructions listed below, can result in serious personal injury.
- Watch what you are doing. Use common sense. Do not operate pole hedge trimmer when you are tired.
- Only well-instructed adults should operate pole hedge trimmer. Never allow children to operate.
- Do not use unit for any job except that for which it is intended.
- Do not allow children or untrained individuals to use this unit.
- Always use an ANSI/CSA approved hard hat when operating the pole hedge trimmer overhead. Falling debris can result in serious injury.
- Wear the following safety gear when operating pole hedge trimmer:
 - head protection marked to comply with ANSI Z89.1
 - heavy-duty gloves
 - substantial footwear

- safety glasses, goggles or face screen that are marked to comply with ANSI Z87.1
- face or dust mask (if working in dusty areas)
- Do not wear loose fitting clothing, or jewelry of any kind that could get caught in the moving blades or parts of the pole hedge trimmer.
- Secure long hair so it is above shoulder level to prevent entanglement in any moving parts.

While Operating Pole Hedge Trimmer

- Stay alert. Use common sense while operating the unit.
- Keep work area clean. Cluttered areas invite injuries.
- Keep children, animals and bystanders at a safe distance away from unit. Only the user should be in the work area.
- Grip unit securely, one hand on the trigger handle, the other hand on the pole handle.
- Keep finger off trigger until ready to use.
- Before starting unit, make sure blades are not touching anything.
- Keep all parts of body away from blades when Pole Hedge Trimmer is running.
- Carry unit from one place to another
 - with battery removed
 - by holding pole at balance point
 - with blade cover in place
- Do not operate in poor lighting.
- During operation, rest periodically and change working positions to reduce fatigue.
- Keep firm footing and balance. Do not overreach. Overreaching can result in loss of balance or exposure to sharp surfaces.
- Do not, under any circumstance, use any attachment or accessory on this product, which was not provided with the product, or identified as appropriate for use with this product in this Instruction Manual.

Do Not Operate Pole Hedge Trimmer

- while under the influence of alcohol, medication, or drugs
- in rain or in damp or wet areas
- where highly flammable liquids or gases are present
- if unit is damaged, adjusted wrong, or not fully and securely assembled
- if trigger does not turn unit on and off. Blades must stop moving when you release trigger. Have faulty switch replaced by an authorized service center. See **Repairs**.
- while in a hurry
- while in tree or on a ladder
- while on aerial booms, buckets or platforms
- during high wind or storming weather

Trimming Instructions (Fig. H–L)

⚠ DANGER: Keep hands away from blade.

⚠ WARNING: To guard against injury, observe the following:

- Read instruction manual before using. Save instruction manual.
- Check the hedge for foreign objects such as wires or fences before each use.
- Keep hands on handles. Don't overreach.
- Do not use under wet conditions.

⚠ CAUTION: Blade may coast after turn off.

Working Position (Fig. H, I)

Maintain proper footing and balance and do not overreach. Wear safety goggles, non-skid footwear and rubber gloves when trimming. Hold the tool firmly in both hands and turn the tool ON. Always hold the trimmer, as shown in Fig. H, with one hand on the switch handle and one hand on the auxiliary handle. Never hold the unit by the trimmer head.

Fig. H

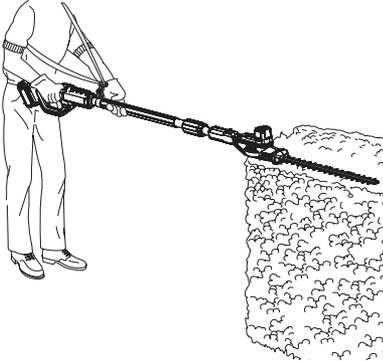
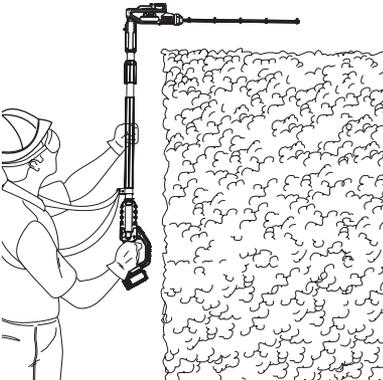


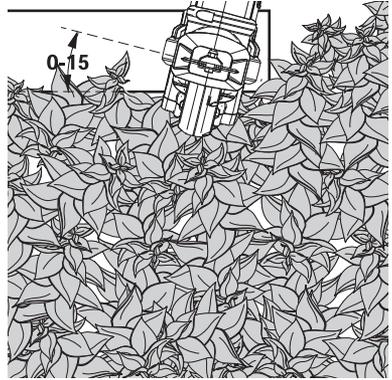
Fig. I



Trimming New Growth (Fig. J)

Using a wide, sweeping motion and feeding the blade teeth through the twigs, is most effective. A slight downward tilt of the blade in the direction of motion gives the best cutting.

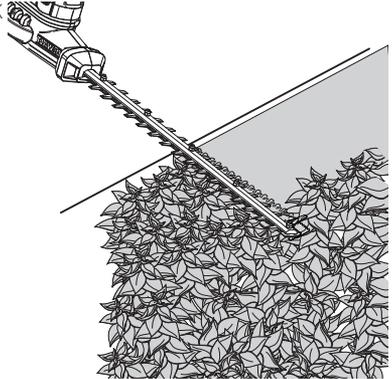
Fig. J



Level Hedges (Fig. K)

To obtain exceptionally level hedges a piece of string can be stretched along the length of the hedge as a guide.

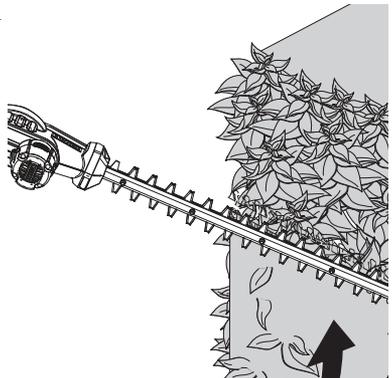
Fig. K



Side Trimming Hedges (Fig. L)

Orient the trimmer as shown and begin at the bottom and sweep up.

Fig. L



MAINTENANCE

! **WARNING:** To reduce the risk of serious personal injury, turn unit off and remove the battery pack before making any adjustments or removing/installing attachments or accessories. An accidental start-up can cause injury.

Lubrication (Fig. A)

Blades

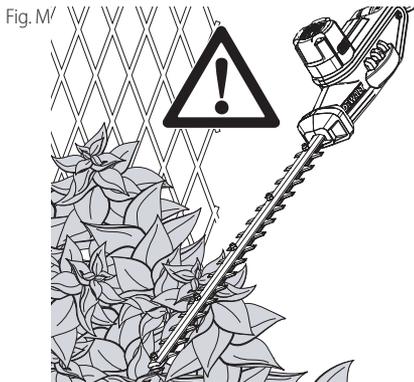
1. After use, carefully clean the blade **11** with a resin solvent.
2. After cleaning, apply a light film of lubrication to the exposed blade.
3. Turn the trimmer vertical with the blades toward the ground and run the trimmer for a few seconds to fully disperse the lubrication.

Maintaining Blade (Fig. M)

The cutting blades are made from high quality, hardened steel and with normal usage, they will not require resharpening. However, if you accidentally hit a wire fence, stones, glass, or other hard objects as shown in Figure M you may put a nick in the blade. There is no need to remove this nick as long as it does not interfere with the movement of the blade. If it does interfere, remove the battery and use a fine toothed file or sharpening stone to remove the nick. If you drop the trimmer, carefully inspect it for damage. If the blade is bent, housing cracked, handles broken or if you see any other condition that may affect the trimmer's operation contact your local DeWALT authorized service center for repairs before putting it back into use.

Fertilizers and other garden chemicals contain agents which greatly accelerate the corrosion of metals. Do not store the unit on or adjacent to fertilizers or chemicals.

With the battery removed, use only mild soap and a damp cloth to clean the unit. Never let any liquid get inside the unit; never immerse any part of the unit into a liquid. Prevent the blades from rusting by applying a film of light machine oil after cleaning.



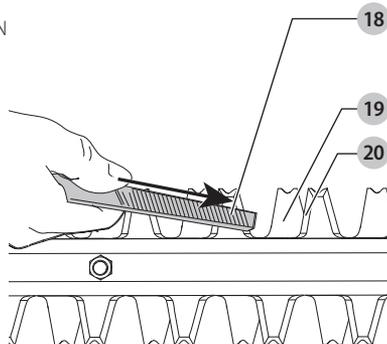
Sharpening Blade (Fig. N)

- Keep blade sharp for best performance. A dull blade does not cut cleanly.
- When sharpening blade, ensure that battery is removed.
- Replace bent or damaged blade immediately.

It is recommended that sharpening of blades be performed by a DeWALT factory service center. However, blade edges may be sharpened by using a fine tooth file **18**.

1. Run trimmer until cutting blades **19** are offset.
2. Be sure the lock-off lever is engaged, the blade has stopped, and the battery has been removed before sharpening blade.
3. Wear proper eye protection and gloves, and be careful not to cut yourself.
4. Carefully file the cutting edges of the blade with a fine tooth file. File toward the cutting edge **20** at the original cutting angle (38° from horizontal). File only the straight cutting edges **20** of the blades. Do not file where the cutting edge curves into the center of the blade.
5. Flip the trimmer over to sharpen the bottom blade.
6. Repeat steps to sharpen the opposite side of each blade.

Fig. N



Cleaning

- !** **WARNING:** Blow dirt and dust out of all air vents with clean, dry air at least once a week. To minimize the risk of eye injury, always wear ANSI Z87.1 approved eye protection when performing this procedure.
- !** **WARNING:** Never use solvents or other harsh chemicals for cleaning the non-metallic parts of the tool. These chemicals may weaken the plastic materials used in these parts. Use a cloth dampened only with water and mild soap. Never let any liquid get inside the tool; never immerse any part of the tool into a liquid.

Accessories



WARNING: Since accessories, other than those offered by DEWALT, have not been tested with this product, use of such accessories with this tool could be hazardous. To reduce the risk of injury, only DEWALT recommended accessories should be used with this product.

Recommended accessories for use with your tool are available at extra cost from your local dealer or authorized service center. If you need assistance in locating any accessory, please contact DEWALT call 1-800-4-DEWALT (1-800-433-9258) or visit our website: www.dewalt.com.

Repairs

The charger and battery pack are not serviceable. There are no serviceable parts inside the charger or battery pack.



WARNING: To assure product SAFETY and RELIABILITY, repairs, maintenance and adjustment (including brush inspection and replacement, when applicable) should be performed by a DEWALT factory service center or a DEWALT authorized service center. Always use identical replacement parts.

Register Online

Thank you for your purchase. Register your product now for:

- **WARRANTY SERVICE:** Registering your product will help you obtain more efficient warranty service in case there is a problem with your product.
- **CONFIRMATION OF OWNERSHIP:** In case of an insurance loss, such as fire, flood or theft, your registration of ownership will serve as your proof of purchase.
- **FOR YOUR SAFETY:** Registering your product will allow us to contact you in the unlikely event a safety notification is required under the Federal Consumer Safety Act.
- Register online at www.dewalt.com

Three Year Limited Warranty

DEWALT will repair or replace, without charge, any defects due to faulty materials or workmanship for three years from the date of purchase (two years for batteries). This warranty does not cover part failure due to normal wear or tool abuse. For further detail of warranty coverage and warranty repair information, visit www.dewalt.com or call 1-800-4-DEWALT (1-800-433-9258). This warranty does not apply to accessories or damage caused where repairs have been made or attempted by others. THIS LIMITED WARRANTY IS GIVEN IN LIEU OF ALL OTHERS, INCLUDING THE IMPLIED WARRANTY OF MERCHANTABILITY AND FITNESS FOR A PARTICULAR PURPOSE, AND EXCLUDES ALL INCIDENTAL OR CONSEQUENTIAL DAMAGES. Some states do not allow limitations on how long an implied warranty lasts or the exclusion or limitation of incidental or consequential damages, so these limitations may not apply to you. This warranty gives you specific legal rights and you may have other rights which vary in certain states or provinces.

In addition to the warranty DEWALT tools are covered by our:

1 YEAR FREE SERVICE

DEWALT will maintain the tool and replace worn parts caused by normal use, for free, any time during the first year after purchase.

2 YEARS FREE SERVICE ON DEWALT BATTERY PACKS

DC9071, DC9091, DC9096, DC9182, DC9280, DC9360, DCB120, DCB122, DCB124, DCB127, DCB201, DCB203BT, DCB207, DCB361

3 YEARS FREE SERVICE ON DEWALT BATTERY PACKS

DCB200, DCB203, DCB204, DCB204BT, DCB205, DCB205BT, DCB206, DCB230, DCB606, DCB609, DCB612

NOTE: Battery warranty voided if the battery pack is tampered with in any way. DEWALT is not responsible for any injury caused by tampering and may prosecute warranty fraud to the fullest extent permitted by law.

90 DAY MONEY BACK GUARANTEE

If you are not completely satisfied with the performance of your DEWALT Power Tool or Nailer for any reason, you can return it within 90 days from the date of purchase with a receipt for a full refund – no questions asked.

LATIN AMERICA: This warranty does not apply to products sold in Latin America. For products sold in Latin America, see country specific warranty information contained in the packaging, call the local company or see website for warranty information.

FREE WARNING LABEL REPLACEMENT: If your warning labels become illegible or are missing, call 1-800-4-DEWALT (1-800-433-9258) for a free replacement.

Définitions : symboles et termes d'alarmes sécurité

Ces guides d'utilisation utilisent les symboles et termes d'alarmes sécurité suivants pour vous prévenir de situations dangereuses et de risques de dommages corporels ou matériels.



DANGER : indique une situation dangereuse imminente qui, si elle n'est pas évitée, **entraînera la mort ou des blessures graves**.



AVERTISSEMENT : indique une situation potentiellement dangereuse qui, si elle n'est pas évitée, **pourrait entraîner la mort ou des blessures graves**.



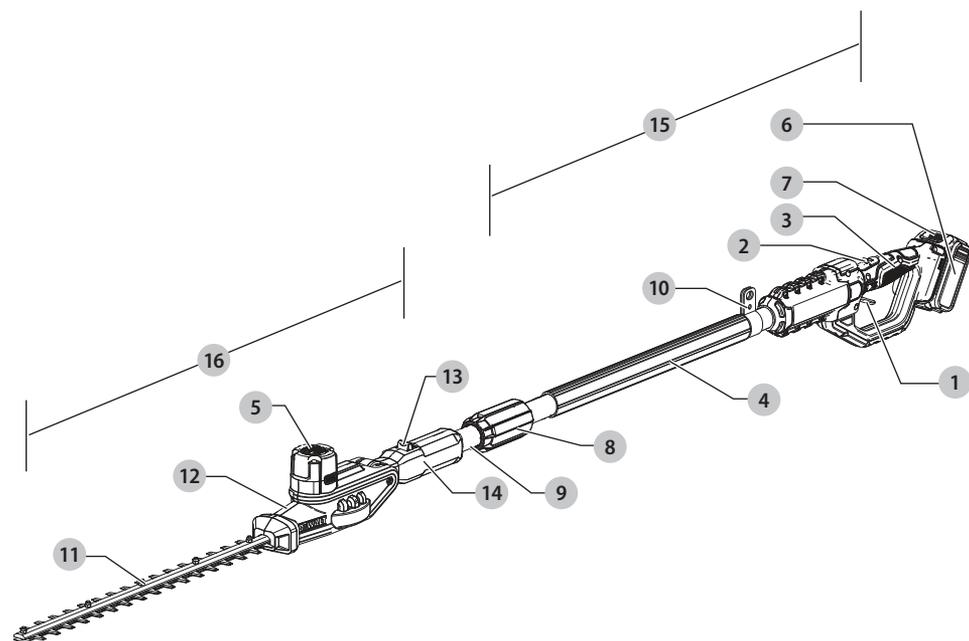
ATTENTION : indique une situation potentiellement dangereuse qui, si elle n'est pas évitée, **pourrait entraîner des blessures légères ou modérées**.



(Si utilisé sans aucun terme) Indique un message propre à la sécurité.

AVIS : indique une pratique ne posant **aucun risque de dommages corporels** mais qui par contre, si rien n'est fait pour l'éviter, **pourrait poser des risques de dommages matériels**.

Fig. A



- | | |
|--------------------------------------|---|
| 1 Gâchette | 12 Tête du taille-haie pivotante |
| 2 Levier de verrouillage | 13 Bouton de verrouillage de la tête du taille-haie |
| 3 Poignée | 14 Bouton de verrouillage de la tête du taille-haie |
| 4 Poignée auxiliaire | 15 Assemblage de la poignée |
| 5 Boîtier du moteur | 16 Assemblage de la tête du taille-haie |
| 6 Bloc-piles | |
| 7 Bouton de libération du bloc-piles | |
| 8 Manchon fileté | |
| 9 Manche fileté | |
| 10 Support de la courroie | |
| 11 Lame du taille-haie | |



AVERTISSEMENT : lire tous les avertissements de sécurité et toutes les directives. Le non-respect des avertissements et des directives pourrait se solder par un choc électrique, un incendie et/ou une blessure grave.



AVERTISSEMENT : afin de réduire le risque de blessures, lire le mode d'emploi de l'outil.

Pour toute question ou remarque au sujet de cet outil ou de tout autre outil DEWALT composez le numéro sans frais : (1-800-433-9258).

Taille-haie télescopique 20 V max* DCPH820

AVERTISSEMENTS GÉNÉRAUX SUR LA SÉCURITÉ DES OUTILS



AVERTISSEMENT : lisez tous les avertissements de sécurité, toutes les instructions, les illustrations et les caractéristiques fournies avec cet outil électrique. Ne pas suivre toutes les instructions comprises aux présentes peut conduire à un choc électrique, un incendie et/ou des blessures graves.

CONSERVER TOUS LES AVERTISSEMENTS ET TOUTES LES DIRECTIVES POUR UN USAGE ULTÉRIEUR

Le terme « outil électrique » cité dans les avertissements se rapporte à votre outil électrique à alimentation sur secteur (avec fil) ou par piles (sans fil).

1) Sécurité du lieu de travail

- Tenir l'aire de travail propre et bien éclairée.**
Les lieux encombrés ou sombres sont propices aux accidents.
- Ne pas faire fonctionner d'outils électriques dans un milieu déflamant, tel qu'en présence de liquides, de gaz ou de poussières inflammables.**
Les outils électriques produisent des étincelles qui pourraient enflammer la poussière ou les vapeurs.
- Éloigner les enfants et les personnes à proximité pendant l'utilisation d'un outil électrique.**
Une distraction pourrait en faire perdre la maîtrise à l'utilisateur.

2) Sécurité en matière d'électricité

- Les fiches des outils électriques doivent correspondre à la prise. Ne jamais modifier la fiche d'aucune façon. Ne jamais utiliser de fiche d'adaptation avec un outil électrique mis à la terre.** Le risque de choc électrique sera réduit par l'utilisation de fiches non modifiées correspondant à la prise.
- Éviter tout contact physique avec des surfaces mises à la terre comme des tuyaux, des radiateurs, des cuisinières et des réfrigérateurs.** Le risque de choc électrique est plus élevé si votre corps est mis à la terre.
- Ne pas exposer les outils électriques à la pluie ou à l'humidité.** La pénétration de l'eau dans un outil électrique augmente le risque de choc électrique.
- Ne pas utiliser le cordon de façon abusive. Ne jamais utiliser le cordon pour transporter, tirer ou débrancher un outil électrique. Tenir le cordon éloigné de la chaleur, de l'huile, des bords tranchants et des pièces mobiles.** Les cordons endommagés ou enchevêtrés augmentent les risques de choc électrique.
- Pour l'utilisation d'un outil électrique à l'extérieur, se servir d'une rallonge convenant à**

cette application. L'utilisation d'une rallonge conçue pour l'extérieur réduira les risques de choc électrique.

- S'il est impossible d'éviter l'utilisation d'un outil électrique dans un endroit humide, brancher l'outil dans une prise ou sur un circuit d'alimentation dotés d'un disjoncteur de fuite à la terre (GFCI).** L'utilisation de ce type de disjoncteur réduit les risques de choc électrique.

3) Sécurité personnelle

- Être vigilant, surveiller le travail effectué et faire preuve de jugement lorsqu'un outil électrique est utilisé. Ne pas utiliser d'outil électrique en cas de fatigue ou sous l'influence de drogues, d'alcool ou de médicaments.** Un simple moment d'inattention en utilisant un outil électrique peut entraîner des blessures corporelles graves.
- Utiliser des équipements de protection individuelle. Toujours porter une protection oculaire.** L'utilisation d'équipements de protection comme un masque antipoussière, des chaussures antidérapantes, un casque de sécurité ou des protecteurs auditifs lorsque la situation le requiert réduira les risques de blessures corporelles.
- Empêcher les démarrages intempestifs. S'assurer que l'interrupteur se trouve à la position d'arrêt avant de relier l'outil à une source d'alimentation et/ou d'insérer un bloc-piles, de ramasser ou de transporter l'outil.** Transporter un outil électrique alors que le doigt repose sur l'interrupteur ou brancher un outil électrique dont l'interrupteur est à la position de marche risque de provoquer un accident.
- Retirer toute clé de réglage ou clé avant de démarrer l'outil.** Une clé ou une clé de réglage attachée à une partie pivotante de l'outil électrique peut provoquer des blessures corporelles.
- Ne pas trop tendre les bras. Conserver son équilibre en tout temps.** Cela permet de mieux maîtriser l'outil électrique dans les situations imprévues.
- S'habiller de manière appropriée. Ne pas porter de vêtements amples ni de bijoux. Garder les cheveux, les vêtements et les gants à l'écart des pièces mobiles.** Les vêtements amples, les bijoux ou les cheveux longs risquent de rester coincés dans les pièces mobiles.
- Si des composants sont fournis pour le raccordement de dispositifs de dépoussiérage et de ramassage, s'assurer que ceux-ci sont bien raccordés et utilisés.** L'utilisation d'un dispositif de dépoussiérage peut réduire les dangers engendrés par les poussières.
- Ne pas laisser votre connaissance acquise suite l'utilisation fréquente des outils vous permettre de baisser la garde et ignorer les principes de sécurité de l'outil.** Un acte irréfléchi peut causer une blessure grave en une fraction de seconde.

4) Utilisation et entretien d'un outil électrique

- a) **Ne pas forcer un outil électrique. Utiliser l'outil électrique approprié à l'application.** L'outil électrique approprié effectuera un meilleur travail, de façon plus sûre et à la vitesse pour laquelle il a été conçu.
- b) **Ne pas utiliser un outil électrique dont l'interrupteur est défectueux.** Tout outil électrique dont l'interrupteur est défectueux est dangereux et doit être réparé.
- c) **Débranchez la fiche de la prise électrique et, si amovible, retirez le bloc-piles de l'outil avant d'effectuer tout ajustement, changement et entreposage de celui-ci.** Ces mesures préventives réduisent les risques de démarrage accidentel de l'outil électrique.
- d) **Ranger les outils électriques hors de la portée des enfants et ne permettre à aucune personne n'étant pas familière avec un outil électrique ou son mode d'emploi d'utiliser cet outil.** Les outils électriques deviennent dangereux entre les mains d'utilisateurs inexpérimentés.
- e) **Gardez les poignées et surfaces d'emprise propres et libres de tout produit lubrifiant. Vérifier si les pièces mobiles sont mal alignées ou coincées, si des pièces sont brisées ou présentent toute autre condition susceptible de nuire au bon fonctionnement de l'outil électrique. En cas de dommage, faire réparer l'outil électrique avant toute nouvelle utilisation.** Beaucoup d'accidents sont causés par des outils électriques mal entretenus.
- f) **S'assurer que les outils de coupe sont aiguisés et propres.** Les outils de coupe bien entretenus et affûtés sont moins susceptibles de se coincer et sont plus faciles à maîtriser.
- g) **Utiliser l'outil électrique, les accessoires, les forets, etc. conformément aux présentes directives en tenant compte des conditions de travail et du travail à effectuer.** L'utilisation d'un outil électrique pour toute opération autre que celle pour laquelle il a été conçu est dangereuse.
- h) **Garder vos mains et les surfaces de prise sèches, propres et libres de graisse et de poussière.** Les mains et les surfaces de prise glissantes ne permettent pas la manutention et le contrôle sécuritaires de l'outil dans les situations imprévues.

5) Utilisation et entretien du bloc-piles

- a) **Ne recharger l'outil qu'au moyen du chargeur précisé par le fabricant.** L'utilisation d'un chargeur qui convient à un type de bloc-piles risque de provoquer un incendie s'il est utilisé avec un autre type de bloc-piles.
- b) **Utiliser les outils électriques uniquement avec les blocs-piles conçus à cet effet.** L'utilisation de tout autre bloc-piles risque de causer des blessures ou un incendie.

- c) **Lorsque le bloc-piles n'est pas utilisé, le tenir éloigné des objets métalliques, notamment des trombones, de la monnaie, des clés, des clous, des vis ou autres petits objets métalliques qui peuvent établir une connexion entre les deux bornes.** Le court-circuit des bornes du bloc-piles risque de provoquer des brûlures ou un incendie.
- d) **En cas d'utilisation abusive, le liquide peut gicler hors du bloc-piles; éviter tout contact avec ce liquide. Si un contact accidentel se produit, laver à grande eau. Si le liquide entre en contact avec les yeux, obtenir également des soins médicaux.** Le liquide qui gicle hors du bloc-piles peut provoquer des irritations ou des brûlures.
- e) **Ne pas utiliser de bloc-piles ou outil qui a été endommagé ou modifié.** Les unités endommagées ou modifiées peuvent avoir une réaction imprévisible résultant en un incendie, une explosion ou un potentiel de blessure.
- f) **Ne pas exposer de bloc-piles ou l'outil aux flammes ou à des températures excessives.** L'exposition aux flammes ou à une température au-dessus de 129 °C (265 °F) pourrait causer une explosion.
- g) **Suivre toutes les instructions de recharge et ne recharger pas le bloc-piles ou l'outil à des températures hors de la plage de température indiquée dans les instructions.** Une recharge non conforme ou à une température hors des limites spécifiées peut endommager les piles et augmenter le risque d'incendie.

6) Réparation

- a) **Faire réparer l'outil électrique par un réparateur professionnel en n'utilisant que des pièces de rechange identiques.** Cela permettra de maintenir une utilisation sécuritaire de l'outil électrique.
- b) **Ne jamais réparer des blocs-piles endommagés.** La réparation de blocs-piles doit seulement être effectuée par le fabricant ou les fournisseurs de service autorisés.

Avertissements de sécurité concernant le taille-haie

- **Utilisez les deux mains lorsque vous faites fonctionner le taille-haie.** Utiliser une main pourrait causer une perte de contrôle et entraîner une blessure corporelle grave.
- **Gardez toutes les parties de votre corps loin de la lame de coupe. Ne pas retirer la matière coupée ou la matière maintenue à être coupée lorsque les lames sont en mouvement. Assurez-vous que la gâchette est fermée lorsque vous enlevez la matière coincée. Les lames glissent une fois l'outil éteint.** Un moment d'inattention pendant l'utilisation du taille-haie peut entraîner une blessure corporelle grave.
- **Transportez le taille-haie par la poignée de la détente avec la lame de coupe arrêtée.** Une

FRANÇAIS

manutention appropriée du taille-haie réduira une possible blessure corporelle due aux lames de coupe.

- **Tenez l'outil électrique seulement les surfaces de prise isolées puisque la lame de coupe peut entrer en contact avec les câbles cachés.** Les lames de coupe entrant un contact avec un câble « sous tension » peuvent exposer les pièces métalliques de l'outil électrique « sous tension » et pourraient donner un choc électrique à l'utilisateur.
- **Vérifiez la haie pour tout objet étranger, par ex., les clôtures en grillage.**



DANGER : gardez vos mains hors de portée de la lame. Tout contact avec la lame entraînera une blessure corporelle grave.



AVERTISSEMENT : porter une protection oculaire.



AVERTISSEMENT : ne pas exposer à la pluie.

Directives de sécurité propres aux taille-haies télescopiques

- **Ne pas utiliser le taille-haie télescopique par mauvais temps, particulièrement lorsqu'il y a risque d'orage.** Cela permettra de réduire les risques d'être touché par la foudre.
- **Pour réduire tout risque d'électrocution, ne pas utiliser l'outil à proximité de lignes électriques.** Tout contact ou utilisation à proximité de lignes électriques pose des risques de dommages corporels graves et d'électrocution pouvant entraîner la mort.
- **Utiliser systématiquement les deux mains lors de l'utilisation du taille-haie télescopique.** Maintenir le taille-haie télescopique à deux mains pour éviter d'en perdre le contrôle.
- **Porter systématiquement un casque de protection pendant l'utilisation du taille-haie télescopique au-dessus de la tête.** La chute de débris pose des risques de dommages corporels graves. Porter un casque de sécurité conforme à la norme ANSI Z89.1 (CAN/CSA Z94. 1).



ATTENTION : ne pas l'exposer à la pluie.

Consignes de sécurité importantes



AVERTISSEMENT : lire et comprendre toutes les directives. Le non-respect des directives suivantes pose des risques de décharges électriques, d'incendie et/ou de dommages corporels graves.

CONSERVER CES DIRECTIVES

Avant d'utiliser le taille-haie télescopique



ATTENTION : l'appareil n'a pas été conçu pour protéger l'individu contre les décharges électriques en cas de contact avec des lignes électriques aériennes. Consulter la réglementation locale en vigueur relative aux distances sécuritaires quant aux lignes électriques et s'assurer que l'on pourra travailler en toute sécurité avant d'utiliser le taille-haie télescopique.

- Pour votre sécurité, lire et comprendre toute instruction avant toute utilisation du taille-haie télescopique. Suivre toutes les directives de sécurité. Tout manquement aux directives de sécurité suivantes pose des risques de dommages corporels graves.
- Travailler prudemment. Faire preuve de bon sens. Ne pas utiliser le taille-haie télescopique en cas de fatigue.
- Le taille-haie télescopique ne doit être utilisé que par des adultes expérimentés. Ne jamais permettre son utilisation par des enfants.
- Ne pas utiliser le taille-haie télescopique pour tout travail autre que celui pour lequel il a été conçu.
- Ne permettre à aucun enfant ou individu non expérimenté d'utiliser cet outil.
- Porter les dispositifs de protection suivants pendant l'utilisation du taille-haie télescopique :
 - gants épais;
 - chaussures robustes;
 - protection oculaire, lunette ou masque de protection portant le label d'homologation ANSI Z87.1;
 - masque ou masque antipoussières (en présence de poussières);
- Ne pas porter des vêtements amples, des bijoux ou tout autre objet similaire qui pourraient se prendre dans les organes de coupe en mouvement ou dans les pièces du taille-haie télescopique.
- Attacher les cheveux au-dessus des épaules pour qu'ils ne se prennent pas dans les pièces mobiles.

Pendant l'utilisation du taille-haie télescopique

- Rester vigilant. Faire preuve de bon sens pendant l'utilisation de l'appareil.
- Maintenir l'aire de travail propre. Les lieux encombrés sont propices aux accidents.
- Maintenir les enfants, les animaux et tout autre individu à une distance sécuritaire du taille-haie télescopique. Seul l'utilisateur du taille-haie télescopique devrait se trouver sur l'aire de travail.
- Maintenir le taille-haie télescopique solidement, une main sur la poignée auxiliaire et l'autre sur la poignée principale.
- Maintenir le doigt loin de la gâchette tant que l'on n'est pas prêt à travailler.
- Avant de démarrer le taille-haie télescopique, s'assurer que l'organe de coupe ne touche aucune surface.
- Maintenir toute partie du corps éloignée de l'organe de coupe pendant le fonctionnement du taille-haie télescopique.
- Retirer le bloc-piles du taille-haie télescopique
 - avant de le transporter d'un lieu à un autre
 - et le maintenir fermement en équilibre
 - avec son organe de coupe vers l'arrière
- Ne pas utiliser l'appareil en cas d'éclairage insuffisant.
- Pendant l'utilisation, se reposer périodiquement et changer la position de travail pour réduire la fatigue.
- Maintenir son équilibre et les pieds solidement ancrés au sol. Ne pas effectuer de travaux hors de portée. Il y a

risques de perdre l'équilibre et risques d'exposition à des surfaces acérées.

- Ne pas, en aucune circonstance, utiliser des pièces ou accessoires avec cet appareil n'ayant pas été fournis avec l'appareil ou reconnus comme appropriés pour être utilisés avec cet appareil dans le guide d'utilisation.

Ne pas utiliser la taille-haie télescopique

- Sous l'influence de la drogue, l'alcool ou les médicaments; Sous la pluie ou sur des lieux humides ou détrempés;
- En présence de liquides ou de gaz hautement inflammables;
- Si le taille-haie télescopique est endommagé, mal réglé ou pas complètement ou solidement assemblé;
- Si l'interrupteur du taille-haie télescopique est défectueux. L'organe de coupe doit s'arrêter lorsqu'on relâche la gâchette. Faire remplacer tout interrupteur défectueux par un centre de service autorisé. Se reporter à la section **Réparations**.
- Lorsqu'on est pressé;
- Dans un arbre ou sur une échelle;
- Sur un promontoire, un seuil ou une plate-forme;
- En cas de vents puissants ou d'orage.

Règles de sécurité – Généralités

-  **AVERTISSEMENT : risques de chocs électriques.** Pour éviter tout risque d'électrocution, ne pas utiliser à moins de 3 m (10 pi) de lignes électriques aériennes. Consulter la réglementation locale en vigueur relative aux distances sécuritaires quant aux lignes électriques et s'assurer que l'on pourra travailler en toute sécurité avant d'utiliser le taille-haie télescopique. Tout manquement à cette règle pose des risques de dommages corporels graves.

- Maintenir les poignées propres et sèches, exemptes d'huile.
- S'assurer de l'arrêt complet de l'organe de coupe avant de poser l'outil.

-  **DANGER : RISQUES DE COUPURES.** Maintenir les mains à l'écart de l'organe de coupe. Maintenir les deux mains sur les poignées lorsque le taille-haie télescopique est en marche.

- **NE PAS RETIRER** un matériau découpé ou le tenir à la main pendant la coupe alors que l'organe de coupe est en mouvement. Retirer le bloc-piles avant de retirer des matériaux coincés dans l'organe de coupe. Ne pas attraper ou tenir le taille-haie télescopique par ses organes de coupe exposés ou ses bords de coupe.

-  **ATTENTION : l'organe de coupe continue de tourner après l'arrêt de l'outil.**

- **NE PAS FORCER LE TAILLE-HAIE TÉLESCOPIQUE** - Il fera un meilleur travail tout en posant moins de risques de dommages corporels à la vitesse pour laquelle il a été conçu.
- **DÉCONNECTER LE BLOC-PILES** du taille-haie télescopique après utilisation ou avant tout entretien ou maintenance.
- **RANGER LE TAILLE-HAIE TÉLESCOPIQUE DANS UN ENDROIT CLOS** – Après utilisation, le taille-haie télescopique doit être entreposé à l'intérieur, dans un

endroit sec, en hauteur ou verrouillé, hors de la portée des enfants.

- **MAINTENIR SOIGNEUSEMENT LE TAILLE-HAIE TÉLESCOPIQUE** - Maintenir les organes de coupe acérés et nets pour optimiser les performances et réduire les risques de dommages corporels. Maintenir les poignées propres et sèches, exemptes d'huile ou de graisse.
- **VÉRIFIER L'ÉTAT DES PIÈCES** - Avant toute nouvelle utilisation du taille-haie télescopique, tout dispositif de protection, ou autre pièce, endommagé doit être vérifié soigneusement pour déterminer si fonctionnera correctement et remplira la fonction pour laquelle il a été conçu. Vérifier les pièces mobiles afin de s'assurer qu'elles sont bien alignées et qu'il n'y a pas de risques de grippage; vérifier également les pièces pour s'assurer qu'il n'y a ni bris ni aucune autre condition susceptible de nuire à leur bon fonctionnement. Tout dispositif de protection, ou autre pièce, endommagé doit être réparé correctement ou remplacé par un centre de réparation agréé sauf indication contraire dans le présent guide.

Maintenance

- **L'outil doit être entretenu ou réparé exclusivement par du personnel qualifié.** Toute maintenance ou tout entretien effectué par une personne non qualifiée pourra poser des risques de dommage corporels. Se reporter à la section **Réparations**.
- **Lors de la maintenance de cet outil, utiliser systématiquement des pièces de rechange d'origine. Suivre les directives de la section Entretien du présent guide.** L'utilisation de pièces non recommandées ou la non-observation des directives d'entretien posera des risques de chocs électriques ou de dommages corporels.

Consignes de sécurité particulières

- **Tenir l'outil par les surfaces isolées prévues à cet effet pendant toute utilisation où l'organe de coupe pourrait entrer en contact avec des fils électriques cachés.** Tout contact avec un fil sous tension met les parties métalliques exposées de l'outil sous tension et électrocute l'utilisateur.

Consigne de sécurité supplémentaire

-  **AVERTISSEMENT :** ne jamais modifier l'outil électrique ni aucun de ses composants, car il y a des risques de dommages corporels ou matériels.

-  **AVERTISSEMENT :** porter **SYSTEMATIQUÉMENT** des lunettes de protection. Les lunettes courantes NE sont PAS des lunettes de protection. Utiliser aussi un masque antipoussières si l'opération est poussiéreuse. **PORTER SYSTÉMATIQUÉMENT UN ÉQUIPEMENT DE SÉCURITÉ HOMOLOGUÉ :**

- Protection oculaire ANSI Z87.1 (CAN/CSA Z94.3) ;
- Protection auditive ANSI S12.6 (S3.19) ;
- Protection des voies respiratoires NIOSH/ OSHA/ MSHA.

-  **AVERTISSEMENT :** certaines poussières contiennent des produits chimiques reconnus dans l'État de la Californie pour causer le cancer et des anomalies congénitales ou autres effets nuisibles sur la

reproduction. Certains exemples de ces produits chimiques sont :

- des composants de fertilisants,
- des composants d'insecticides, d'herbicides et de pesticides,
- l'arsenic et le chrome provenant du bois de construction traité chimiquement.

Pour réduire votre exposition à ces produits chimiques, portez un équipement de sécurité approuvé, comme un masque antipoussière spécialement conçu pour filtrer les particules microscopiques.



AVERTISSEMENT : cet outil peut produire et/ou répandre de la poussière susceptible de causer des dommages sérieux et permanents au système respiratoire. Utiliser systématiquement un appareil de protection des voies respiratoires homologué par le NIOSH ou l'OSHA. Diriger les particules dans le sens opposé au visage et au corps.



AVERTISSEMENT : pendant l'utilisation, porter systématiquement une protection auditive individuelle adéquate homologuée ANSI S12.6 (S3.19). Sous certaines conditions et suivant la durée d'utilisation, le bruit émanant de ce produit pourrait contribuer à une perte de l'acuité auditive.



ATTENTION : après utilisation, ranger l'outil sur son côté, sur une surface stable, là où il ne pourra ni faire trébucher ni faire chuter quelqu'un.

Certains outils équipés d'un large bloc-piles peuvent tenir à la verticale sur celui-ci, mais manquent alors de stabilité.

- **Prendre des précautions à proximité des événements, car ils cachent des pièces mobiles.** Vêtements amples, bijoux ou cheveux longs risquent de rester coincés dans ces pièces mobiles.

L'étiquette apposée sur votre outil peut inclure les symboles suivants. Les symboles et leur définition sont indiqués ci-après :

V.....volts	W.....watts
Hz.....hertz	~ ou AC.....courant alternatif
min.....minutes	⎓ ou AC/DC.....courant alternatif ou continu
— ou DC.....courant continu	□.....fabrication classe II (double isolation)
Ⓢ.....(fabrication classe I (mis à la terre))	n ₀vitesse à vide
.../min.....par minute	n.....vitesse nominale
BPM.....battements par minute	⊕.....borne de terre
IPM.....impacts par minute	⚠.....symbole d'avertissement
RPM.....révolutions par minute	☠.....radiation visible
sfpm (plpm).....pieds linéaires par minute	☎.....protection respiratoire
SPM (FPM).....fréquence par minute	👁.....protection oculaire
OPM.....oscillations por minuto	👂.....protection auditive
A.....ampères	📖.....lire toute la documentation
IPXX.....symbole IP	

A.....ampères
IPXX.....symbole IP
20

BLOCS-PILES ET CHARGEURS

Le bloc-piles n'est pas totalement chargé d'usine. Avant d'utiliser le bloc-piles et le chargeur, lire les consignes de sécurité ci-après puis suivre la procédure de chargement indiquée. Pour commander un bloc-piles de recharge, s'assurer d'en inclure le numéro de catalogue et la tension.

LIRE TOUTES LES CONSIGNES

Consignes importantes de sécurité les blocs-piles



AVERTISSEMENT : lisez toutes les consignes de sécurité, les instructions et les symboles d'avertissements du bloc-piles, du chargeur et du produit. Tout manquement aux avertissements et instructions pose des risques de décharges électriques, d'incendie et/ou de blessures graves.

- **Ne pas recharger ou utiliser un bloc-piles en milieu déflagrant, en présence, par exemple, de poussières, gaz ou liquides inflammables.** Le fait d'insérer ou retirer un bloc-piles de son chargeur pourrait causer l'inflammation de poussières ou d'émanations.
 - **Lorsque non utilisé, garder le bloc-piles éloigné de petits objets métalliques comme des trombones attache-feuilles, des pièces de monnaie, des clés, des clous et vis ou autres pièces qui pourraient court-circuiter les bornes.** Un court-circuit pourrait causer des brûlures ou un incendie.
 - **NE JAMAIS forcer l'insertion d'un bloc-piles dans un chargeur. NE modifier un bloc-piles d'aucune façon pour le faire rentrer dans un chargeur incompatible, car il pourrait se briser et causer des dommages corporels graves.** Consulter le tableau en dernière page de ce manuel pour connaître les compatibilités entre chargeurs et blocs-piles.
 - Recharger les blocs-piles exclusivement dans des chargeurs DEWALT.
 - **NE PAS** éclabousser le bloc-piles ou l'immerger dans l'eau ou dans tout autre liquide.
 - **Ne pas entreposer ou utiliser l'appareil et le bloc-piles en présence de températures ambiantes pouvant excéder 40 °C (104 °F) (comme dans des hangars ou des bâtiments métalliques l'été).** Pour préserver leur durée de vie, entreposer les blocs-piles dans un endroit frais et sec.
- REMARQUE :** ne pas mettre un bloc-piles dans un outil dont la gâchette est verrouillée en position de marche. Ne jamais bloquer l'interrupteur en position de MARCHÉ.
- **Ne pas exposer le bloc-piles ou l'outil/l'appareil au feu ou à une température excessive.** L'exposition au feu ou à une température au-dessus de 130° C (265° F) pourrait entraîner une explosion.
 - **Ne pas incinérer le bloc-piles même s'il est sévèrement endommagé ou complètement usagé, car il pourrait exploser et causer un incendie.** Pendant

l'incinération des blocs-piles au lithium-ion, des vapeurs et matières toxiques sont dégagées.

- **En cas de contact du liquide de la pile avec la peau, rincer immédiatement au savon doux et à l'eau.** En cas de contact oculaire, rincer l'œil ouvert à l'eau claire une quinzaine de minutes ou jusqu'à ce que l'irritation cesse. Si des soins médicaux s'avéraient nécessaires, noter que l'électrolyte de la pile est composé d'un mélange de carbonates organiques liquides et de sels de lithium.
- **Le contenu des cellules d'une pile ouverte peut causer une irritation respiratoire.** En cas d'inhalation, exposer l'individu à l'air libre. Si les symptômes persistent, consulter un médecin.

⚠ AVERTISSEMENT : risques de brûlure. Le liquide de la pile peut s'enflammer s'il est exposé à des étincelles ou à une flamme.

⚠ AVERTISSEMENT : risques d'incendie. Ne jamais tenter d'ouvrir le bloc-piles pour quelque raison que ce soit. Si le boîtier du bloc-piles est fissuré ou endommagé, ne pas l'insérer dans un chargeur. Ne pas écraser, laisser tomber, ou endommager les blocs-piles. Ne pas utiliser un bloc-piles ou un chargeur qui a reçu un choc violent, ou si l'appareil est tombé, a été écrasé ou endommagé de quelque façon que ce soit (p. ex. percé par un clou, frappé d'un coup de marteau, piétiné). Les blocs-piles endommagés doivent être renvoyés à un centre de réparation pour y être recyclés.

Recommandations de stockage

1. Le lieu idéal de rangement est un lieu frais et sec, à l'abri de toute lumière solaire directe et de toute température excessive.
2. Pour un stockage prolongé, il est recommandé d'entreposer le bloc-piles pleinement chargé dans un lieu frais et sec, hors du chargeur pour optimiser les résultats.

REMARQUE : les blocs-piles ne devraient pas être entreposés complètement déchargés. Il sera nécessaire de recharger le bloc-piles avant réutilisation.

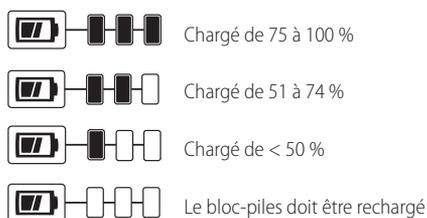
Instructions d'entretien du bloc-pile

Éliminer toute saleté ou graisse de la surface externe du blocs-pile à l'aide d'un chiffon ou d'une brosse non métallique douce. N'utiliser ni eau ni aucun nettoyant liquide.

Témoin de Charge du Bloc-Piles

Certains blocs-piles DEWALT possèdent un témoin de charge qui consiste en trois voyants Del indiquant le niveau de charge du bloc-piles.

Le témoin de charge indique approximativement le niveau de charge restant dans le bloc-piles en fonction des voyants suivants :



Pour activer le témoin de charge, maintenez appuyé le bouton du témoin de charge. Une combinaison des trois voyants Del s'allumera indiquant le niveau de charge. Lorsque le niveau de charge du bloc-pile atteint la limite minimale d'utilisation, le témoin de charge reste éteint et le bloc-piles doit être rechargé.

REMARQUE : le témoin de charge ne fait qu'indiquer le niveau de charge du bloc-piles. Il ne donne aucune indication quant au fonctionnement de l'outil. Son propre fonctionnement pourra aussi varier en fonction des composants produit, de la température et de l'application d'utilisation.

Pour plus d'informations quant au témoin de charge du bloc-piles, veuillez appeler le 1-800-4-DEWALT (1-800-433-9258) ou vous rendre sur notre site www.dewalt.com.

Transport

⚠ AVERTISSEMENT : risques d'incendie. Au moment de ranger ou transporter le bloc-piles, veiller à protéger ses bornes à découvert de tout objet métallique. Par exemple, éviter de placer le bloc-piles dans un tablier, une poche, une boîte à outils ou un tiroir, etc. contenant des objets tels que clous, vis, clés, etc. **Le fait de transporter des blocs-piles comporte des risques d'incendie, car les bornes des piles pourraient entrer, par inadvertance, en contact avec des objets conducteurs, tels que : clés, pièces de monnaie, outils ou autres.** La réglementation sur les produits dangereux (Hazardous Material Regulations) du département américain des transports interdit, en fait, le transport des blocs-piles dans les commerces ou dans les avions dans les bagages de cabine. À MOINS qu'ils ne soient correctement protégés de tout court-circuit. Aussi lors du transport individuel de blocs-piles, s'assurer que leurs bornes sont bien protégées et isolées de tout matériau pouvant entrer en contact avec elles et provoquer un court-circuit. **REMARQUE :** il ne faut pas laisser de piles au li-ion dans les bagages enregistrés.

Le sceau SRPRC^{MD}

Le sceau SRPRC^{MD} (Société de recyclage des piles rechargeables du Canada) apposé sur une pile au nickel-cadmium, à hydrure métallique de nickel ou au lithium-ion (ou un bloc-piles) indique que les coûts de recyclage de ces derniers en fin d'utilisation ont déjà été réglés par DEWALT.



FRANÇAIS

Dans certaines régions, la mise au rebut ou aux ordures municipales des piles au nickel-cadmium, à l'hydrure métallique de nickel ou au lithium-ion, est illégale ; le programme de l'Appel à Recycler^{MD} constitue donc une solution pratique et écologique.

Appel à Recycler Canada, Inc., en collaboration avec DEWALT et d'autres utilisateurs de piles, a mis sur pied de programme aux États-Unis et au Canada pour faciliter la collecte des piles au nickel-cadmium, à l'hydrure métallique de nickel ou au lithium-ion usagées. Aidez-nous à protéger l'environnement et à conserver nos ressources naturelles en renvoyant les piles au nickel-cadmium, à l'hydrure métallique de nickel ou au lithium-ion usagées à un centre de réparation autorisé DEWALT ou chez votre détaillant afin qu'elles y soient recyclées. On peut en outre se renseigner auprès d'un centre de recyclage local pour connaître d'autres sites les acceptant. SRPRC^{MD} est une marque déposée de l'Appel à Recycler Canada, Inc.

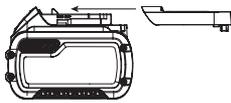
Expédition du bloc-piles DEWALT FLEXVOLTTM C

Le bloc-piles DEWALT FLEXVOLTTM C possède deux modes : **Utilisation et Expédition.**

Mode Utilisation : lorsque le bloc-piles DEWALT FLEXVOLTTM C est par lui-même ou dans un produit 20 V max*, il fonctionnera comme un bloc-piles de 20 V max*. Lorsque le bloc-piles FLEXVOLTTM C est dans un produit de 60 V max* ou 120 V max* (deux blocs-piles de 60 V max*), il fonctionnera comme un bloc-piles de 60 V max*.

Mode Expédition : lorsque

le capuchon est inséré sur le bloc-piles FLEXVOLTTM C, le bloc-piles est en mode Expédition. Les modules de cellules sont électriquement déconnectés du bloc le faisant correspondre à trois blocs-piles d'un wattheure (Wh) inférieur comparé à un bloc-piles de wattheure élevé. Ce passage à trois blocs-piles à un wattheure inférieur peut permettre au bloc-piles d'être exempté de suivre certaines directives d'expédition imposées sur les blocs-piles de wattheure supérieur.



L'étiquette du bloc-piles donne deux estimations de wattheures (se reporter à l'exemple). Selon comment le bloc-piles est expédié, l'estimation appropriée de wattheure doit être utilisée pour déterminer les modalités d'expédition lui correspondant. Si le capuchon d'expédition est utilisé, le bloc-piles sera considéré comme 3 blocs-piles au wattheure indiqué pour « Expédition ». S'il est expédié sans le capuchon ou dans un outil, le bloc-piles sera considéré comme un seul bloc-piles au wattheure indiqué à côté de « Utilisation ».

Exemple d'étiquetage d'utilisation et d'expédition

USE: 120 Wh Shipping: 3 x 40 Wh

Par exemple, le Wh de expédition pourra indiquer 3 x 40 Wh, ce qui correspond à 3 blocs-piles de 40 wattheures chacun. L'utilisation du Wh pourra indiquer 120 Wh (sous-entendu 1 bloc-piles).

Directives de sécurité importantes propres à tous les chargeurs de piles



AVERTISSEMENT : lisez toutes les consignes de sécurité, les instructions et les symboles d'avertissements du bloc-piles, du chargeur et du produit. Tout manquement aux avertissements et instructions pose des risques de décharges électriques, d'incendie et/ou de blessures graves.

- **NE PAS tenter de recharger le bloc-piles avec tout autre chargeur qu'une unité DEWALT.** Le chargeur DEWALT et son bloc-piles sont conçus spécialement pour fonctionner conjointement.
- **Ces chargeurs n'ont pas été conçus pour une utilisation autre que recharger les blocs-piles rechargeables DEWALT.** Toute autre utilisation comporte des risques d'incendie, de chocs électriques ou d'électrocution.
- **Protéger le chargeur de la pluie ou de la neige.**
- **Tirer sur la fiche plutôt que sur le cordon pour débrancher le chargeur.** Cela permet de réduire les risques d'endommager la fiche ou le cordon d'alimentation.
- **S'assurer que le cordon est protégé de manière à ce que personne ne marche ni ne trébuche dessus, ou à ce qu'il ne soit ni endommagé ni soumis à aucune tension.**
- **N'utiliser une rallonge qu'en cas de nécessité absolue.** L'utilisation d'une rallonge inadéquate comporte des risques d'incendie, de chocs électriques ou d'électrocution.
- **Pour utiliser un chargeur à l'extérieur, le placer dans un endroit sec et utiliser une rallonge conçue pour l'extérieur.** L'utilisation d'une rallonge conçue pour l'extérieur réduit les risques de chocs électriques.
- **Pour la sécurité de l'utilisateur, utiliser une rallonge de calibre adéquat (AWG, American Wire Gauge [calibrage américain normalisé des fils électriques]).** Plus le calibre est petit, et plus sa capacité est grande. Un calibre 16, par exemple, a une capacité supérieure à un calibre 18. L'usage d'une rallonge de calibre insuffisant causera une chute de tension qui entraînera perte de puissance et surchauffe. Si plus d'une rallonge est utilisée pour obtenir une certaine longueur, s'assurer que chaque rallonge présente au moins le calibre de fil minimum. Le tableau ci-dessous illustre les calibres à utiliser selon la longueur de rallonge et l'intensité nominale indiquée sur la plaque signalétique. En cas de doute, utiliser le calibre suivant. Plus le calibre est petit, plus la rallonge peut supporter de courant.

Calibre minimum pour les cordons d'alimentation

Volts		Longueur totale du cordon d'alimentation en mètre (pieds)			
120V		7,6 (25)	15,2 (50)	30,5 (100)	45,7 (150)
240V		15,2 (50)	30,5 (100)	61,0 (200)	91,4 (300)
Ampères		AWG			
Plus que	Pas plus que				
0	6	18	16	16	14
6	10	18	16	14	12
10	12	16	16	14	12
12	16	14	12	Non recommandé	

AVERTISSEMENT : si la fiche ou le cordon d'alimentation est endommagé, il doit être remplacé par le fabricant ou son représentant ou par une personne non moins qualifiée pour éviter tout danger.

- **Ne poser aucun objet sur le chargeur. Ne pas mettre le chargeur sur une surface molle qui pourrait en bloquer la ventilation et provoquer une surchauffe interne.** Éloigner le chargeur de toute source de chaleur. Le chargeur dispose d'orifices d'aération sur le dessus et le dessous du boîtier.
- **Ne pas le faire fonctionner avec un cordon d'alimentation ou une fiche endommagée**—les remplacer immédiatement.
- **Ne pas utiliser le chargeur s'il a reçu un coup, fait une chute ou a été endommagé de quelque façon que ce soit.** Le ramener dans un centre de réparation agréé.
- **Ne pas démonter le chargeur. Pour tout service ou réparation, le rapporter dans un centre de réparation agréé.** Le fait de le réassembler de façon incorrecte comporte des risques de chocs électriques, d'électrocution et d'incendie.
- **Débrancher le chargeur du secteur avant tout entretien. Cela réduira tout risque de chocs électriques.** Le fait de retirer le bloc-piles ne réduira pas ces risques.
- **NE JAMAIS tenter de connecter 2 chargeurs ensemble.**
- **Le chargeur a été conçu pour être alimenté en courant électrique domestique standard de 120 volts. Ne pas tenter de l'utiliser avec toute autre tension.** Cela ne s'applique pas aux chargeurs de postes mobiles.

AVERTISSEMENT : risques de chocs électriques. Ne laisser aucun liquide pénétrer dans le chargeur, des chocs électriques pourraient en résulter.

AVERTISSEMENT : risques de brûlure. Ne submerger le bloc-piles dans aucun liquide et le protéger de toute infiltration de liquide. Ne jamais tenter d'ouvrir le bloc-piles pour quelque raison que ce soit. Si le boîtier plastique du bloc-piles est brisé ou fissuré, le retourner dans un centre de réparation pour y être recyclé.

ATTENTION : risques de brûlure. Pour réduire tout risque de dommages corporels, ne recharger que des blocs-piles rechargeables DEWALT out autre type de piles pourrait exploser et causer des dommages corporels et matériels.



ATTENTION : sous certaines conditions, lorsque le chargeur est connecté au bloc d'alimentation, des matériaux étrangers pourraient court-circuiter le chargeur. Les corps étrangers conducteurs tels que (mais pas limité à) poussières de rectification, débris métalliques, laine d'acier, feuilles d'aluminium, ou toute accumulation de particules métalliques doivent être maintenus à distance des orifices du chargeur. Débrancher systématiquement le chargeur lorsque le bloc-piles n'y est pas inséré. Débrancher systématiquement le chargeur avant tout entretien.

Chargement du bloc-piles

REMARQUE : afin d'assurer la performance et la vie maximales des blocs-piles au lithium-ion, chargez complètement le bloc-pile avant la première utilisation.

1. Branchez le chargeur dans une prise appropriée avant d'insérer le bloc-piles.
2. Branchez le chargeur et le bloc-piles en vous assurant que le bloc-piles est bien mis en place. Le voyant rouge (chargement) clignotera sans cesse indiquant que le processus de chargement est commencé.
3. La fin de la recharge sera indiquée par le voyant qui demeurera allumé de façon continue. Le bloc-piles est complètement chargé et peut être retiré utilisé à ce moment ou laissé dans le chargeur.

REMARQUE : pour retirer le bloc-piles, on doit appuyer sur le bouton de libération du bloc-piles sur certains chargeurs

Indicateurs		
	Bloc-piles en Cours de Chargement	
	Bloc-piles Chargé	
	Suspension de Charge Contre le Chaud/Froid*	

***DCB107, DCB112, DCB113, DCB115, DCB118, DCB132**: le voyant rouge ne cessera de clignoter, mais un voyant jaune restera allumé pendant cette opération. Lorsque le bloc-piles aura repris une température appropriée, le voyant jaune s'éteindra et le chargeur reprendra sa procédure de charge.

Le chargeur ne pourront recharger des blocs-piles défectueux. Le chargeur qui refuse de s'allumer peut indiquer un problème avec le chargeur ou le bloc-piles défectueuse.

REMARQUE : si le chargeur ne se met pas en fonction, faites tester le chargeur et le bloc-piles à un centre de service autorisé.

Laisser le Bloc-Piles dans le Chargeur

Le chargeur et son bloc-piles peuvent rester connectés, le voyant du chargeur affichant alors bloc-piles chargé.

Fonction de suspension de charge contre le chaud/froid

Lorsque le chargeur détecte un bloc-piles trop chaud ou trop froid, il démarre automatiquement la fonction de suspension de charge contre le chaud, suspendant

FRANÇAIS

le chargement jusqu'à ce que le bloc-piles ait repris une température appropriée. Le chargeur ensuite se remettra automatiquement en mode de chargement. Cette caractéristique assure aux blocs-piles une durée de vie maximale.

Un bloc-piles froid peut recharger moins vite qu'un bloc-piles chaud.

Le chargeur DCB118 est équipé d'un ventilateur interne destiné à refroidir le bloc-piles. Le ventilateur se mettra automatiquement en marche chaque fois que le bloc-piles aura besoin de se refroidir.

N'utilisez jamais le chargeur si le ventilateur ne fonctionne pas correctement ou si ses fentes d'aération sont bloquées. Protégez systématiquement l'intérieur du chargeur de tout objet étranger.

Système de protection électronique

Les appareils au Li-Ion sont équipés d'un système électronique de protection pour protéger les blocs-piles de toute surcharge, surchauffe ou fuite importante.

L'appareil s'arrêtera automatiquement dès que le système électronique de protection sera activé. Si c'était le cas, placez le bloc-piles au lithium-ion sur son chargeur jusqu'à ce qu'il soit complètement rechargé.

Remarques importantes concernant le chargement

1. Pour augmenter la durée de vie du bloc-piles et optimiser son rendement, le recharger à une température ambiante de 18 °C à 24 °C (65 °F à 75 °F). NE PAS charger lorsque le bloc-piles est en dessous de +4,5 °C (+40 °F) ou au-dessus de +40 °C (+104 °F). C'est important pour prévenir tout dommage sérieux au bloc-piles.
2. Le chargeur et son bloc-piles peuvent devenir chauds au toucher pendant la charge. C'est normal et ne représente en aucun cas une défaillance du produit. Pour faciliter le refroidissement du bloc-piles après utilisation, évitez de laisser le chargeur ou le bloc-piles dans un local où la température ambiante est élevée comme dans un hangar métallique ou une remorque non isolée.
3. Si le bloc-piles ne se recharge pas correctement :
 - a. Vérifier le bon fonctionnement de la prise en y branchant une lampe ou tout autre appareil électrique.
 - b. Vérifier que la prise n'est pas contrôlée par un interrupteur qui coupe le courant lorsqu'on éteint les lumières.
 - c. Déplacer le chargeur et le bloc-piles dans un local où la température ambiante se trouve entre environ 18 °C et 24 °C (65 °F et 75 °F).
 - d. Si le problème persiste, amener l'outil, le bloc-piles et son chargeur dans un centre de réparation local.
4. Recharger le bloc-piles lorsqu'il ne produit plus assez de puissance pour effectuer un travail qu'il faisait facilement auparavant. NE PAS CONTINUER à l'utiliser dans ces

conditions. Suivre la procédure de charge. Si nécessaire, il est aussi possible de recharger un bloc-piles partiellement déchargé sans effet nuisible sur le bloc-piles.

5. Les corps étrangers conducteurs tels que (mais pas limité à) poussières de rectification, débris métalliques, laine d'acier, feuilles d'aluminium, ou toute accumulation de particules métalliques doivent être maintenus à distance des orifices du chargeur. Débrancher systématiquement le chargeur lorsque le bloc-piles n'y est pas inséré. Débrancher systématiquement le chargeur avant tout entretien.
6. Ne pas congeler ou immerger le chargeur dans l'eau ou tout autre liquide.

Instructions d'entretien du chargeur



AVERTISSEMENT : risques de chocs électriques. Débrancher le chargeur de la prise de courant alternatif avant tout entretien. Éliminer toute saleté ou graisse de la surface externe du chargeur à l'aide d'un chiffon ou d'une brosse non métallique douce. N'utiliser ni eau ni aucun nettoyant liquide.

Installation murale

DCB107, DCB112, DCB113, DCB115, DCB118, DCB132

Ces chargeurs ont été conçus pour une installation murale ou pour être posés sur une table ou une surface de travail. Pour une fixation murale, installez le chargeur à proximité d'une prise électrique, et à l'écart de coins ou de toute autre obstruction au passage de l'air. Utilisez l'arrière du chargeur pour marquer l'emplacement des vis de montage sur le mur. Fixez soigneusement le chargeur à l'aide de vis autoforeuses (vendues séparément) d'au moins 25,4 mm (1 po) de long, et de diamètre de tête de 7–9 mm (0,28–0,35 po), que vous visserez dans le bois en laissant une longueur optimale d'environ 5,5 mm (7/32 po) exposée. Alignez les orifices à l'arrière du chargeur sur les vis exposées et insérez à fond ces dernières dans les orifices.

Usage prévu

Ce taille-haie est conçu pour des fins professionnelles d'aménagement paysager.

NE PAS les utiliser en milieu ambiant humide ou en présence de liquides ou de gaz inflammables.

NE PAS le laisser à la portée des enfants. Une supervision est nécessaire auprès de tout utilisateur non expérimenté.

ASSEMBLAGE ET AJUSTEMENTS



AVERTISSEMENT : afin de réduire le risque de blessure corporelle, éteignez l'appareil et retirez le bloc-piles avant d'effectuer tout ajustement ou de retirer/installer des pièces ou des accessoires. Un déclenchement accidentel du démarrage peut causer des blessures.

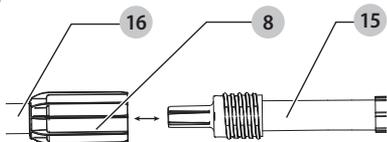
Assembler l'assemblage de la tête du taille-haie avec l'assemblage de la poignée (Fig. A, B)

Combiner l'assemblage de la poignée **15** à l'assemblage de la tête du taille-haie **16** crée un taille-haie à manche qui est d'une longueur approximative de 2,1 m (7 pi).

1. Alignez la rainure à l'extérieur de l'extrémité du raccord de l'assemblage de la poignée **15** avec la languette à l'intérieur de l'extrémité du raccord de l'assemblage de la tête du taille-haie **16**.
2. Glissez le manchon fileté **8** sur l'assemblage de la tête du taille-haie aussi loin que possible et tournez le manchon dans le sens des aiguilles d'une montre jusqu'à ce qu'il s'arrête et couvre complètement les filets.

⚠ AVERTISSEMENT : assurez-vous toujours que le manchon est complètement enfilé et que les filets ne sont plus visibles. Ne pas enfiler complètement le manchon pourrait faire en sorte que les assemblages se déconnectent créant une condition dangereuse. Vérifiez régulièrement les connexions afin d'assurer qu'aucun filet n'est visible.

Fig. B

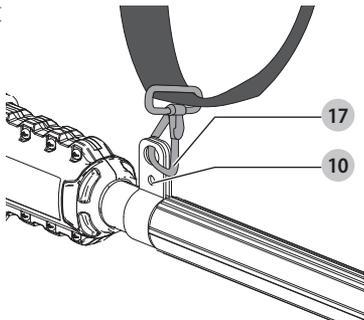


Fixer et ajuster la courroie d'épaule (Fig. C)

Le taille-haie à manche comprend une courroie d'épaule ajustable.

1. Enclenchez le verrou de la courroie d'épaule **17** sur le support de la courroie **10** situé sur l'outil, juste à l'avant de la gâchette comme illustré dans la Fig. C. Ajustez la courroie afin qu'elle adapte à votre épaule.

Fig. C



Faire pivoter la tête du taille-haie (Fig. A, D, E, G)

La tête du taille-haie pivote à 180° et peut être verrouillée dans 7 positions différentes dans cette plage. Afin d'éviter d'être pincé, ne pas saisir les lames. Portez des gants et tenez l'outil comme illustré dans la Figure G.

⚠ AVERTISSEMENT : Avant de connecter la pile à l'outil, assurez-vous que la tête du taille-haie est verrouillée en place.

Pour faire pivoter la tête du taille-haie

1. Avec une main saisissant solidement la tête du taille-haie, utilisez l'autre main pour appuyer sur le bouton de verrouillage **13** et tourner la poignée de la tête du taille-haie **14** pour faire pivoter la tête du taille-haie comme illustré dans la Figure E.
2. Verrouillez la tête du taille-haie dans une des sept positions de fonctionnement. Pour verrouiller la tête du taille-haie en place, relâchez la poignée de la tête du taille-haie. Assurez-vous que la tête du taille-haie est verrouillée en place en essayant de déplacer le boîtier du moteur. S'il n'est pas verrouillé, tournez à la position de verrouillage la plus près.

Fig. D

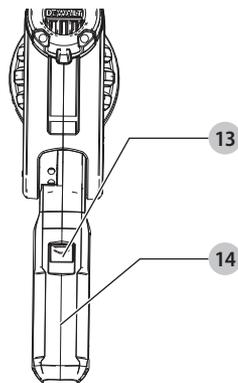
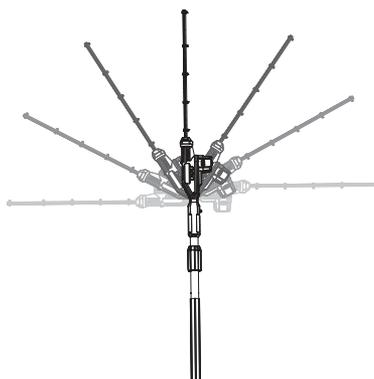


Fig. E



Installation et retrait du bloc-piles (Fig. F)

REMARQUE : pour des résultats optimaux, s'assurer que le bloc-piles est complètement chargé.

Pour installer le bloc-piles **6** dans la poignée de l'outil, alignez le bloc-piles sur les rails dans la poignée de l'outil et faites-le glisser fermement en place puis vérifiez qu'il ne s'en détachera pas.

Pour retirer le bloc-piles de l'outil, poussez sur le bouton de libération **7** et tirez fermement le bloc-piles hors de la poignée de l'outil. Insérez-le dans son chargeur comme décrit dans la section appropriée de ce manuel.

Fig. F

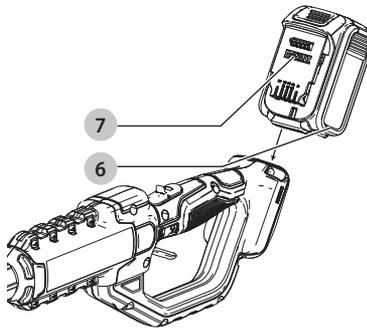
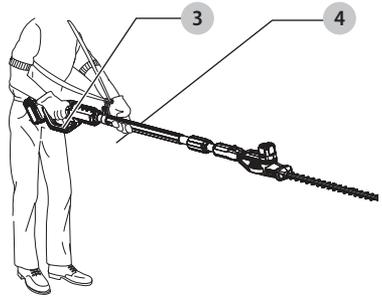


Fig. G



FONCTIONNEMENT

AVERTISSEMENT : afin de réduire le risque de blessure corporelle, éteignez l'appareil et retirez le bloc-piles avant d'effectuer tout ajustement ou de retirer/installer des pièces ou des accessoires. Un déclenchement accidentel du démarrage peut causer des blessures.

Position appropriée des mains (Fig. G)

AVERTISSEMENT : Afin de réduire le risque de blessure corporelle grave, utilisez **TOUJOURS** la position des mains appropriée comme illustré.

AVERTISSEMENT : Afin de réduire le risque de blessure grave, tenez **TOUJOURS** solidement en prévision d'une rétroaction soudaine.

Une position des mains appropriée nécessite une main sur la poignée principale **3** et une main sur la poignée auxiliaire **4**.

Mettre en marche et éteindre la taille-haie à manche (Fig. A)

Assurez-vous que la tête du taille-haie est verrouillée dans une des sept positions de fonctionnement. Consultez la section **Faire pivoter la tête du taille-haie**.

Pour mettre l'outil en marche, tirez le levier de verrouillage **2** avec votre pouce, puis appuyez sur la gâchette **1**. (Une fois que l'outil est en fonction, vous pouvez relâcher le levier de verrouillage.)

Pour éteindre l'outil, relâchez la gâchette.

Avant d'utiliser la taille-haie à manche

AVERTISSEMENT : Cet outil n'est pas conçu pour offrir une protection contre les chocs électriques en cas de contact avec des lignes électriques aériennes. Consultez les réglementations locales concernant les distances sécuritaires des lignes électriques aériennes et assurez-vous que la position d'utilisation est sécuritaire avant d'utiliser la taille-haie à longue portée.

- Pour une utilisation sécuritaire, lisez et comprenez toutes les instructions avant d'utiliser la taille-haie à manche. Suivez toutes les consignes de sécurité. Ne pas suivre toutes les consignes de sécurité énumérées ci-dessous peut entraîner une blessure corporelle grave.
- Regardez ce que vous faites. Faites preuve de bon sens. Ne pas utiliser la taille-haie à manche lorsque vous êtes fatigué.
- Seulement des adultes bien formés doivent utiliser la taille-haie à manche. Ne jamais autoriser les enfants à l'utiliser.
- Ne pas utiliser cet outil pour toute tâche autre que celles pour lesquelles il est conçu.
- Ne pas autoriser les enfants ou des personnes non formées à utiliser cet outil.
- Utilisez la taille-haie à manche un casque protecteur approuvé ANSI/CSA lorsque vous utilisez la taille-haie à manche au-dessus de votre tête. Les débris tombants peuvent entraîner une blessure grave.
- Portez l'équipement de sécurité suivant lorsque vous utilisez la taille-haie à manche au-dessus de votre tête :

- un casque protecteur conforme à la norme ANSI Z89.1
- des gants de travail
- des chaussures solides
- des lunettes de sécurité ou un écran facial conformes à la norme ANSI Z87.1
- un masque facial ou antipoussières (si vous travaillez dans une zone poussiéreuse)
- Ne pas porter de vêtements amples ou de bijoux quelconques qui pourraient se coincer dans les lames ou les pièces du taille-haie à manche.
- Attachez les cheveux longs afin qu'ils soient au-dessus des épaules afin de prévenir l'emmêlement dans les pièces en mouvements.

Pendant que vous utilisez le taille-haie à manche

- Demeurez vigilant. Faites preuve de bon sens en utilisant l'outil.
- Gardez l'aire de travail propre. Les aires encombrées favorisent les blessures.
- Gardez les enfants, les animaux et les passants à une distance sécuritaire loin de l'outil. Seulement l'utilisateur doit être dans l'aire de travail.
- Saisissez l'outil de façon sécuritaire : une main sur la poignée de la gâchette, l'autre main sur la poignée du manche.
- Gardez vos doigts à l'écart de la gâchette jusqu'à ce vous soyez prêt à l'utiliser.
- Avant de démarrer l'outil, assurez-vous que les lames ne touchent pas à rien.
- Gardez toutes les parties de votre corps à l'écart des lames lorsque le taille-haie à manche est en fonction.
- Transporter l'outil d'un endroit à l'autre
 - avec la pile retirée
 - en tenant la tige au point d'équilibre
 - avec le capot des lames en place
- Ne pas utiliser si les conditions d'éclairage sont mauvaises.
- Durant l'utilisation, reposez-vous régulièrement et modifiez vos positions de travail afin de réduire la fatigue.
- Gardez les pieds et un équilibre bien solides. Ne pas trop s'étirer. Trop s'étirer peut entraîner une perte d'équilibre ou une exposition à des surfaces coupantes.
- Ne pas, en aucun cas, utiliser toute fixation ou tout accessoire sur ce produit qui n'est pas fourni avec ce produit ou identifié comme approprié pour l'utilisation avec ce produit dans ce guide d'utilisation.

Ne pas utiliser le taille-haie à manche

- si vous êtes sous l'influence de l'alcool, de médicaments ou de drogues
- sous la pluie ou dans des aires humides ou mouillées
- s'il y a présence de liquides ou de gaz inflammables

- si l'outil est endommagé, mal ajusté ou pas entièrement assemblé ou pas assemblé de façon sécuritaire
- si l'outil ne met pas en marche ou n'éteint pas l'outil. Les lames doivent cesser de bouger lorsque vous relâchez la gâchette. Faites remplacer le bouton Marche/ Arrêt défectueux dans un centre de services autorisé. Consultez **Réparations**.
- si vous êtes pressé
- si vous êtes dans un arbre ou une échelle
- si vous êtes sur des poutres élevées, des seaux ou des plateformes
- si le vent est violent ou s'il y a une tempête

Instructions pour tailler (Fig. H–L)

! **DANGER** : gardez vos mains hors de portée de la lame.

! **AVERTISSEMENT** : pour vous protéger contre les blessures, respectez ce qui suit :

- Lisez le guide d'utilisation avant d'utiliser. Conservez le guide d'utilisation.
- Vérifiez si des objets étrangers sont présents dans la haie comme des câbles ou des clôtures avant chaque utilisation.
- Gardez les mains sur les poignées. Ne pas trop s'étirer.
- Ne pas continuer à utiliser en conditions mouillées.

! **ATTENTION** : la lame peut glisser une fois l'outil éteint.

Position de travail (Fig. H, I)

Maintenez vos pieds bien daplomb sur le sol et un bon équilibre sans trop vous étirer. Portez des lunettes de sécurité, des chaussures antidérapantes et des gants en caoutchouc lors de la taille. Tenez fermement l'outil dans les deux mains et mettez l'outil en marche. Tenez toujours le taille-haie, comme illustré dans la Fig. H, avec une main sur la poignée de la gâchette et une main sur la poignée auxiliaire. Ne jamais tenir l'outil par la tête du taille-haie.

Fig. H

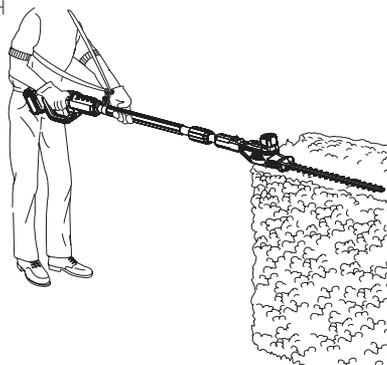
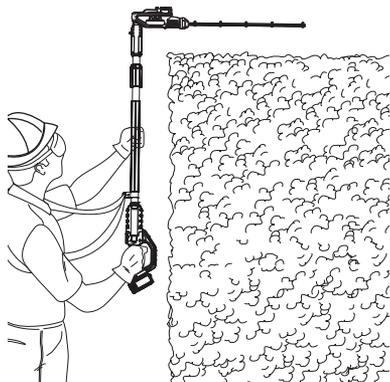


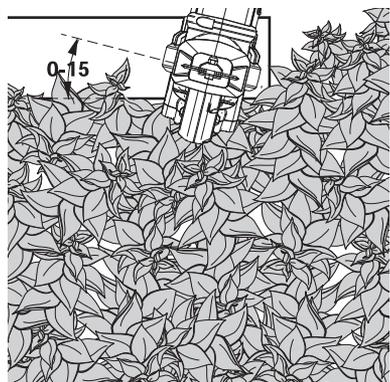
Fig. I



Tailler les nouvelles pousses (Fig. J)

Utiliser un mouvement large de balayage et faire passer les dents de la lame à travers les arbustes est plus efficace. Un léger angle d'inclinaison vers le bas de la lame, dans le sens du mouvement donne la meilleure taille.

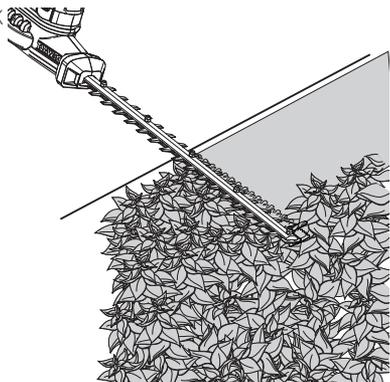
Fig. J



Haies égales (Fig. K)

Pour obtenir des haies exceptionnellement égales, un bout de ficelle peut être tendu le long de la haie comme guide.

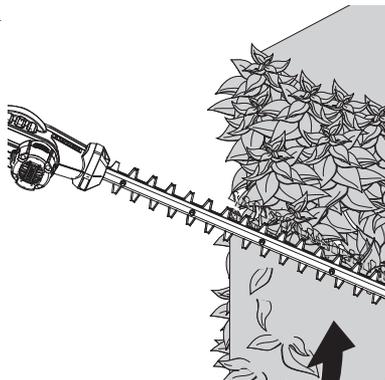
Fig. K



Taille des côtés des haies(Fig. L)

Orientez la tondeuse-haie comme illustré, commencez par le bas et balayez.

Fig. L



MAINTENANCE



AVERTISSEMENT : afin de réduire le risque de blessure corporelle, éteignez l'appareil et retirez le bloc-piles avant d'effectuer tout ajustement ou de retirer/installer des pièces ou des accessoires. Un déclenchement accidentel du démarrage peut causer des blessures.

Lubrification (Fig. A)

Lames

1. Après l'utilisation, nettoyez soigneusement la lame **11** avec un solvant de résine.
2. Après avoir nettoyé, appliquez une couche légère de lubrification sur la lame exposée.
3. Tournez la tondeuse-haie à la verticale avec les lames vers le sol et faites-le fonctionner pendant quelques secondes afin de répartir entièrement la lubrification.

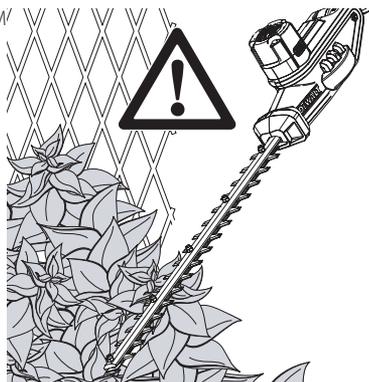
Entretien des lames (Fig. M)

Les lames de coupe sont fabriquées en acier trempé de qualité supérieure et en conditions d'usage normal, elles ne nécessiteront pas de réaffûtage. Cependant, si vous heurtez accidentellement une clôture en grillage, des pierres, de la vitre ou d'autres objets durs comme illustrés dans la Figure M, vous pouvez mettre un cran d'arrêt dans la lame. Il n'est pas nécessaire de retirer ce cran d'arrêt tant que celui-ci ne nuit pas au mouvement de la lame. Si cela se produit, retirez la pile et utilisez une lime dentée fine ou une pierre à aiguiser pour retirer le cran d'arrêt. Si vous échappez la tondeuse-haie, inspectez-la soigneusement pour tout dommage. Si la lame est pliée, le boîtier fissuré, les poignées brisées ou si vous voyez toute autre condition qui peut affecter le fonctionnement de la tondeuse-haie, contactez votre centre de services autorisé local DEWALT pour le réparer avant de le réutiliser.

Les fertilisants et d'autres produits chimiques pour le jardin contiennent des agents qui accélèrent grandement la corrosion des métaux. Ne pas entreposer l'outil sur ou près de fertilisants ou de produits chimiques.

Une fois les piles retirées, utilisez seulement un savon doux et un linge humide pour nettoyer l'outil. Ne jamais laisser de liquide entrer à l'intérieur de l'outil, ne jamais immerger toute partie de l'outil dans un liquide. Empêchez les lames de rouiller en appliquant une couche d'une huile légère pour machine après le nettoyage.

Fig. M/



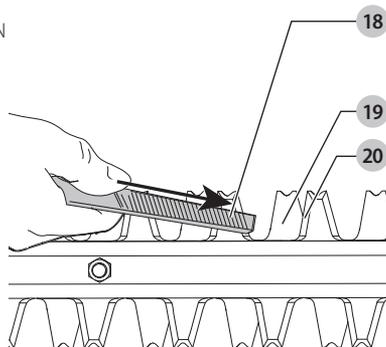
Aiguiser la lame (Fig. N)

- Gardez la lame aiguisée pour une meilleure performance. Une lame émoussée ne coupe pas nettement.
- Lorsque vous aiguiser la lame, assurez-vous que la pile est retirée.
- Remplacez immédiatement une lame pliée ou endommagée.

Il est recommandé que l'aiguisage des lames soit effectué par un centre de services de l'usine DEWALT. Cependant, les bords des lames peuvent être aiguisés en utilisant une lime dentée fine **18**.

1. Faites fonctionner la taille-haie jusqu'à ce que les lames de coupe **19** soient décalées.
2. Assurez-vous que le levier de verrouillage est enclenché, que la lame est arrêtée et que la pile a été retirée avant d'aiguiser la lame.
3. Portez une protection oculaire et des gants appropriés et faites attention de ne pas vous couper.
4. Limez soigneusement les bords coupants de la lame avec une lime à dents fines. Limez vers le bord coupant **20** à l'angle de coupe original (38° de l'horizontal). Limez seulement les bords coupants droits **20** des lames. Ne pas limer l'endroit où le bord coupant courbe au centre de la lame.
5. Retournez la taille-haie pour aiguiser la lame inférieure.
6. Répétez les étapes pour aiguiser le côté opposé de chaque lame.

Fig. N



Nettoyage

- ⚠ **AVERTISSEMENT** : enlever les saletés et la poussière hors des événements au moyen d'air comprimé propre et sec, au moins une fois par semaine. Pour minimiser le risque de blessure aux yeux, toujours porter une protection oculaire conforme à la norme ANSI Z87.1 lors du nettoyage.
- ⚠ **AVERTISSEMENT** : ne jamais utiliser de solvants ni d'autres produits chimiques puissants pour nettoyer les pièces non métalliques de l'outil. Ces produits chimiques peuvent affaiblir les matériaux de plastique utilisés dans ces pièces. Utiliser un chiffon humecté uniquement d'eau et de savon doux. Ne jamais laisser de liquide pénétrer dans l'outil et n'immerger aucune partie de l'outil dans un liquide.

Accessoires

- ⚠ **AVERTISSEMENT** : puisque les accessoires autres que ceux offerts par DEWALT n'ont pas été testés avec ce produit, leur utilisation pourrait s'avérer dangereuse. Pour réduire le risque de blessures, utiliser exclusivement les accessoires DEWALT recommandés avec le présent produit.

Les accessoires recommandés pour cet outil sont vendus séparément au centre de service de votre région. Pour obtenir de l'aide concernant l'achat d'un accessoire, communiquer avec DEWALT, composer le 1 800 433-9258 (1 800 4-DEWALT) ou visiter notre site Web : www.dewalt.com.

Réparations

Le chargeur et le bloc-piles ne sont pas réparables. Le chargeur ou le bloc-piles ne comportent aucune pièce réparabile.

- ⚠ **AVERTISSEMENT** : pour assurer la SÉCURITÉ et la FIABILITÉ du produit, les réparations, l'entretien et les réglages doivent être réalisés (cela comprend l'inspection et le remplacement du balai, le cas échéant) par un centre de réparation en usine DEWALT ou un centre de réparation agréé DEWALT. Toujours utiliser des pièces de rechange identiques.

Registre en ligne

Merci pour votre achat. Enregistrez dès maintenant votre produit:

- **RÉPARATIONS SOUS GARANTIE:** cette carte remplie vous permettra de vous prévaloir du service de réparations sous garantie de façon plus efficace dans le cas d'un problème avec le produit.
- **CONFIRMATION DE PROPRIÉTÉ:** en cas de perte provoquée par un incendie, une inondation ou un vol, cette preuve de propriété vous servira de preuve auprès de votre compagnie d'assurances.
- **SÉCURITÉ:** l'enregistrement de votre produit nous permettra de communiquer avec vous dans l'éventualité peu probable de l'envoi d'un avis de sécurité régi par la loi fédérale américaine de la protection des consommateurs.
- Registre en ligne à www.dewalt.com

Garantie limitée de trois ans

DeWALT réparera ou remplacera sans frais tout appareil défectueux pour cause de défaut de matériau ou de main-d'œuvre sur une période de trois ans à partir de la date d'achat de l'outil (deux ans pour les bloc-piles). Cette garantie ne couvre pas les pièces en panne pour cause d'abus ou d'usure normale de l'outil. Pour plus de détails au sujet de la couverture de la garantie et l'information de réparation sous garantie, visitez www.dewalt.com ou composez le 1-800-4-DeWALT (1-800-433-9258). Cette garantie ne s'applique pas aux accessoires ou dommages causés par des réparations effectuées ou tentées par d'autres. CETTE GARANTIE REMPLACE TOUTES LES AUTRES, INCLUANT LES GARANTIES IMPLICITES DE LA QUALITÉ MARCHANDE ET L'APTITUDE POUR UN BUT PARTICULIER, ET EXCLUT TOUS LES DOMMAGES ACCIDENTELS OU CONSÉCUTIFS. Certaines provinces ne permettent pas de limitation sur la durée de la garantie implicite ou l'exclusion ou la limitation de dommages indirects, alors ces limitations peuvent ne pas s'appliquer à vous. Cette garantie vous donne des droits légaux particuliers et vous pouvez avoir d'autres droits qui varient selon les états ou les provinces. En plus de la présente garantie, les outils DeWALT sont couverts par notre

CONTRAT D'ENTRETIEN GRATUIT D'UN AN

DeWALT entretiendra l'outil et remplacera les pièces usées au cours d'une utilisation normale et ce, gratuitement, pendant une période d'un an à compter de la date d'achat.

CONTRAT D'ENTRETIEN GRATUIT DE DEUX ANS SUR LES BLOC-PILES DeWALT

DC9071, DC9091, DC9096, DC9182, DC9280, DC9360, DCB120, DCB122, DCB124, DCB127, DCB201, DCB203BT, DCB207, DCB361

CONTRAT D'ENTRETIEN GRATUIT DE TROIS ANS SUR LES BLOC-PILES DeWALT

DCB200, DCB203, DCB204, DCB204BT, DCB205, DCB205BT, DCB206, DCB230, DCB606, DCB609, DCB612

REMARQUE: la garantie de ce produit sera annulée si le bloc-piles a été altéré de quelque façon que ce soit. DeWALT ne peut être tenu responsable de tout dommage corporel causé par l'altération du produit et pourra poursuivre toute fraude en matière de garantie dans toute l'étendue permise par la loi.

GARANTIE DE REMBOURSEMENT DE 90 JOURS

Si l'acheteur n'est pas entièrement satisfait, pour quelque raison que ce soit, du rendement de l'outil électrique ou de la cloueuse DeWALT, celui-ci peut le retourner, accompagné d'un reçu, dans les 90 jours à compter de la date d'achat pour obtenir un remboursement intégral, sans aucun problème.

AMÉRIQUE LATINE: cette garantie ne s'applique aux produits vendus en Amérique latine. Pour ceux-ci, veuillez consulter les informations relatives à la garantie spécifique présente dans l'emballage, appeler l'entreprise locale ou consulter le site Web pour les informations relatives à cette garantie.

REMPLACEMENT GRATUIT DES ÉTIQUETTES

D'AVERTISSEMENT: si les étiquettes d'avertissement deviennent illisibles ou sont manquantes, composer le 1-800-4-DeWALT (1-800-433-9258) pour en obtenir le remplacement gratuit.

Definiciones: Símbolos y Palabras de Alerta de Seguridad

Este manual de instrucciones utiliza los siguientes símbolos y palabras de alerta de seguridad para alertarle de situaciones peligrosas y del riesgo de lesiones corporales o daños materiales.



PELIGRO: Indica una situación de peligro inminente que, si no se evita, provocará **la muerte o lesiones graves**.



ADVERTENCIA: Indica una situación de peligro potencial que, si no se evita, **podría** provocar **la muerte o lesiones graves**.



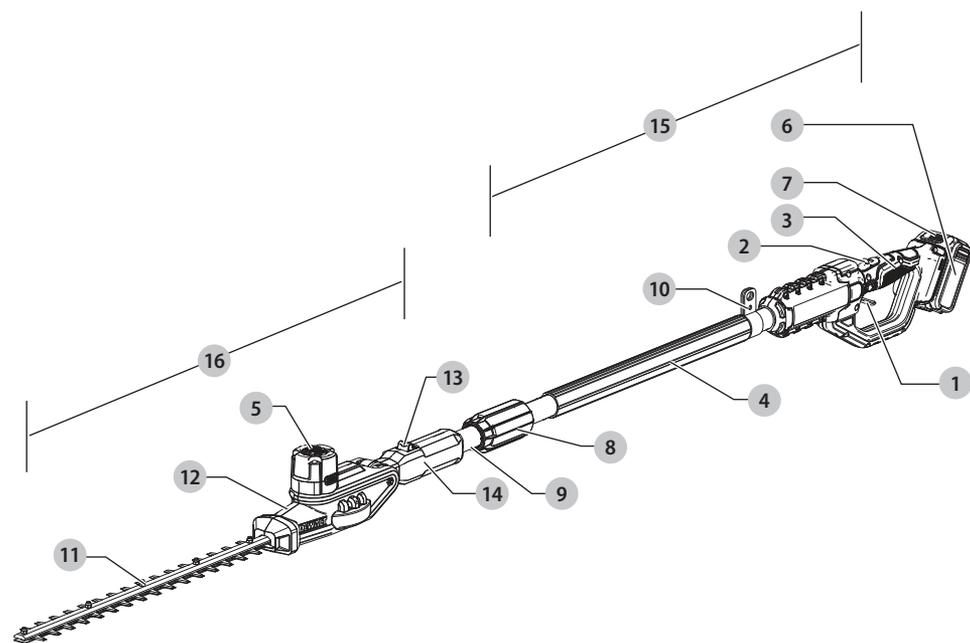
ATENCIÓN: Indica una situación de peligro potencial que, si no se evita, **posiblemente** provocaría **lesiones leves o moderadas**.



(Utilizado sin palabras) indica un mensaje de seguridad relacionado.

AVISO: Se refiere a una práctica **no relacionada a lesiones corporales** que de no evitarse **puede** resultar en **daños a la propiedad**.

Fig. A



- | | |
|--------------------------------------|---|
| 1 Gatillo ON/OFF (Encendido/Apagado) | 10 Soporte de correa |
| 2 Palanca de bloqueo de apagado | 11 Cuchilla de podadora |
| 3 Manija | 12 Cabeza de podadora giratoria |
| 4 Manija auxiliar | 13 Botón de bloqueo de cabeza de podadora |
| 5 Alojamiento de motor | 14 Manija de cabeza de podadora |
| 6 Paquete de batería | 15 Ensamble de manija |
| 7 Botón de liberación de batería | 16 Ensamble de cabeza de podadora |
| 8 Camisa roscada | |
| 9 Poste roscado | |



ADVERTENCIA: Lea todas las advertencias de seguridad e instrucciones. El incumplimiento de las advertencias e instrucciones puede provocar descargas eléctricas, incendios o lesiones graves.



ADVERTENCIA: Para reducir el riesgo de lesiones, lea el manual de instrucciones.

Si tiene alguna duda o algún comentario sobre ésta u otra herramienta DEWALT llámenos al número gratuito: (1-800-433-9258).

**Cortasetos de altura de 20 V Máx*
DCPH820**

**ADVERTENCIAS GENERALES DE
SEGURIDAD PARA HERRAMIENTAS
ELÉCTRICAS**



ADVERTENCIA: Lea todas las advertencias de seguridad, instrucciones, ilustraciones y especificaciones incluidas con esta herramienta eléctrica. La falla en seguir todas las instrucciones siguientes puede resultar en descarga eléctrica, incendio y/o lesiones serias.

**CONSERVE TODAS LAS ADVERTENCIAS
E INSTRUCCIONES PARA
FUTURAS CONSULTAS**

El término "herramienta eléctrica" incluido en las advertencias hace referencia a las herramientas eléctricas operadas con corriente (con cable eléctrico) o a las herramientas eléctricas operadas con baterías (inalámbricas).

1) Seguridad en el Área de Trabajo

- a) **Mantenga el área de trabajo limpia y bien iluminada.** Las áreas abarrotadas y oscuras propician accidentes.
- b) **No opere las herramientas eléctricas en atmósferas explosivas, como ambientes donde haya polvo, gases o líquidos inflamables.** Las herramientas eléctricas originan chispas que pueden encender el polvo o los vapores.
- c) **Mantenga alejados a los niños y a los espectadores de la herramienta eléctrica en funcionamiento.** Las distracciones pueden provocar la pérdida de control.

2) Seguridad Eléctrica

- a) **Los enchufes de la herramienta eléctrica deben adaptarse al tomacorriente. Nunca modifique el enchufe de ninguna manera. No utilice ningún enchufe adaptador con herramientas eléctricas con conexión a tierra.** Los enchufes no modificados y que se adaptan a los tomacorrientes reducirán el riesgo de descarga eléctrica.
- b) **Evite el contacto corporal con superficies con descarga a tierra como, por ejemplo, tuberías, radiadores, cocinas eléctricas y refrigeradores.** Existe mayor riesgo de descarga eléctrica si su cuerpo está puesto a tierra.
- c) **No exponga las herramientas eléctricas a la lluvia o a condiciones de humedad.** Si entra agua a una herramienta eléctrica, aumentará el riesgo de descarga eléctrica.
- d) **No maltrate el cable. Nunca utilice el cable para transportar, tirar o desenchufar la herramienta eléctrica. Mantenga el cable alejado del calor, el aceite, los bordes filosos y las piezas móviles.** Los cables dañados o enredados aumentan el riesgo de descarga eléctrica.

- e) **Al operar una herramienta eléctrica en el exterior, utilice un cable prolongador adecuado para tal uso.** Utilice un cable adecuado para uso en exteriores a fin de reducir el riesgo de descarga eléctrica.
- f) **Si el uso de una herramienta eléctrica en un lugar húmedo es imposible de evitar, utilice un suministro protegido con un interruptor de circuito por falla a tierra (GFCI).** El uso de un GFCI reduce el riesgo de descargas eléctricas.

3) Seguridad Personal

- a) **Permanezca alerta, controle lo que está haciendo y utilice el sentido común cuando emplee una herramienta eléctrica. No utilice una herramienta eléctrica si está cansado o bajo el efecto de drogas, alcohol o medicamentos.** Un momento de descuido mientras se opera una herramienta eléctrica puede provocar lesiones personales graves.
- b) **Utilice equipos de protección personal. Siempre utilice protección para los ojos.** En las condiciones adecuadas, el uso de equipos de protección, como máscaras para polvo, calzado de seguridad antideslizante, cascos o protección auditiva, reducirá las lesiones personales.
- c) **Evite el encendido por accidente. Asegúrese de que el interruptor esté en la posición de apagado antes de conectarlo a la fuente de energía o paquete de baterías, o antes de levantar o transportar la herramienta.** Transportar herramientas eléctricas con el dedo apoyado en el interruptor o enchufar herramientas eléctricas con el interruptor en la posición de encendido puede propiciar accidentes.
- d) **Retire la clavija de ajuste o la llave de tuercas antes de encender la herramienta eléctrica.** Una llave de tuercas o una clavija de ajuste que quede conectada a una pieza giratoria de la herramienta eléctrica puede provocar lesiones personales.
- e) **No se estire. Conserve el equilibrio y párese adecuadamente en todo momento.** Esto permite un mejor control de la herramienta eléctrica en situaciones inesperadas.
- f) **Use la vestimenta adecuada. No use ropas holgadas ni joyas. Mantenga el cabello, la ropa y los guantes alejados de las piezas en movimiento.** Las ropas holgadas, las joyas o el cabello largo pueden quedar atrapados en las piezas en movimiento.
- g) **Si se suministran dispositivos para la conexión de accesorios con fines de recolección y extracción de polvo, asegúrese de que estén conectados y que se utilicen correctamente.** El uso de dispositivos de recolección de polvo puede reducir los peligros relacionados con el polvo.

- h) **No permita que la familiaridad obtenida a partir del uso frecuente de herramientas le permitan volverse descuidado e ignorar los principios de seguridad de la herramienta.** Una acción descuidada puede causar lesiones severas en una fracción de segundo.

4) Uso y Mantenimiento de la Herramienta Eléctrica

- a) **No fuerce la herramienta eléctrica. Utilice la herramienta eléctrica correcta para el trabajo que realizará.** Si se la utiliza a la velocidad para la que fue diseñada, la herramienta eléctrica correcta permite trabajar mejor y de manera más segura.
- b) **No utilice la herramienta eléctrica si no puede encenderla o apagarla con el interruptor.** Toda herramienta eléctrica que no pueda ser controlada mediante el interruptor es peligrosa y debe repararse.
- c) **Desconecte el enchufe de la fuente de alimentación y/o retire la batería, o paquete si es desmontable, de la herramienta eléctrica antes de realizar cualquier ajuste, cambiar accesorios o almacenar herramientas eléctricas.** Estas medidas de seguridad preventivas reducen el riesgo de encender la herramienta eléctrica en forma accidental.
- d) **Guarde la herramienta eléctrica que no esté en uso fuera del alcance de los niños y no permita que otras personas no familiarizadas con ella o con estas instrucciones operen la herramienta.** Las herramientas eléctricas son peligrosas si son operadas por usuarios no capacitados.
- e) **Dé mantenimiento a las herramientas eléctricas y accesorios. Revise que no haya piezas en movimiento mal alineadas o trabadas, piezas rotas o cualquier otra situación que pueda afectar el funcionamiento de la herramienta eléctrica. Si encuentra daños, haga reparar la herramienta eléctrica antes de utilizarla.** Se producen muchos accidentes a causa de las herramientas eléctricas que carecen de un mantenimiento adecuado.
- f) **Mantenga las herramientas de corte afiladas y limpias.** Las herramientas de corte con mantenimiento adecuado y con los bordes de corte afilados son menos propensas a trabarse y son más fáciles de controlar.
- g) **Utilice la herramienta eléctrica, los accesorios y las brocas de la herramienta, etc. de acuerdo con estas instrucciones y teniendo en cuenta las condiciones de trabajo y el trabajo que debe realizarse.** El uso de la herramienta eléctrica para operaciones diferentes de aquéllas para las que fue diseñada podría originar una situación peligrosa.
- h) **Mantenga las manijas y superficies de sujeción secas, limpias y libres de aceite y grasa.** Las manijas y superficies de sujeción resbalosas no permiten el manejo y control seguros de la herramienta en situaciones inesperadas.

5) Uso y Mantenimiento de la Herramienta con Baterías

- a) **Recargue solamente con el cargador especificado por el fabricante.** Un cargador adecuado para un tipo de paquete de baterías puede originar riesgo de incendio si se utiliza con otro paquete de baterías.
- b) **Utilice herramientas eléctricas sólo con paquetes de baterías específicamente diseñados.** El uso de cualquier otro paquete de baterías puede producir riesgo de incendio y lesiones.
- c) **Cuando no utilice el paquete de baterías, manténgalo lejos de otros objetos metálicos como sujetapapeles, monedas, llaves, clavos, tornillos u otros objetos metálicos pequeños que puedan realizar una conexión desde un terminal al otro.** Los cortocircuitos en los terminales de la batería pueden provocar quemaduras o incendio.
- d) **En condiciones abusivas, el líquido puede ser expulsado de la batería. Evite su contacto. Si entra en contacto accidentalmente, enjuague con agua. Si el líquido entra en contacto con los ojos, busque atención médica.** El líquido expulsado de la batería puede provocar irritación o quemaduras.
- e) **No use un paquete de batería o herramienta que estén dañados o modificados.** Las baterías dañadas o modificadas pueden presentar un comportamiento impredecible que resulte en incendios, explosión o riesgo de lesiones."
- f) **No exponga un paquete de batería o una herramienta a fuego o temperatura excesiva.** La exposición a fuego o temperaturas mayores a 129 °C (265 °F) pueden causar una explosión."
- g) **Siga todas las instrucciones de carga y no cargue el paquete de batería o la herramienta fuera del rango de temperatura especificado en las instrucciones.** Cargar inadecuadamente o en una temperatura fuera del rango de temperatura especificado puede dañar la batería e incrementar el riesgo de incendio.

6) Mantenimiento

- a) **Solicite a una persona calificada en reparaciones que realice el mantenimiento de su herramienta eléctrica y que sólo utilice piezas de repuesto idénticas.** Esto garantizará la seguridad de la herramienta eléctrica.
- b) **Nunca dé servicio a paquetes de batería dañados.** El servicio de paquetes de batería sólo debe ser realizado por el fabricante o proveedores de servicio autorizados.

Advertencias de Seguridad de Cortasetos

- **Use ambas manos cuando opere el cortasetos.** Usar una mano podría causar la pérdida de control y provocar lesiones personales graves.
- **Mantenga todas las partes del cuerpo alejadas de la cuchilla. No retire el material cortado ni sujete el material que se va a cortar cuando las cuchillas se estén moviendo. Asegúrese que el interruptor esté apagado cuando despeje el material atascado. Las cuchillas continúan girando después que se apaga.** Un momento de falta de atención mientras opera el cortasetos puede resultar en lesiones personales serias.
- **Lleve el cortasetos por el mango del interruptor con la cuchilla detenida.** El manejo adecuado del cortasetos reducirá las posibles lesiones personales a partir de las cuchillas.
- **Sostenga la herramienta eléctrica por las superficies de sujeción aisladas únicamente, debido a que la cuchilla del cortador puede hacer contacto con cableado oculto.** Las cuchillas de corte que hagan contacto con cable "vivo" pueden tener partes de metal expuestas de la herramienta eléctrica "viva" y podrían dar al operador una descarga eléctrica.
- **Verifique el seto respecto a objetos extraños, por ejemplo, vallas de alambre.**



PELIGRO: Mantenga las manos lejos de la **cuchilla**. El contacto con la cuchilla resultará en lesiones serias.



ADVERTENCIA: Use protección para los ojos.



ADVERTENCIA: No lo exponga a la lluvia.

Instrucciones de Seguridad para Cortasetos con Extensión de Alcance

- **No utilice el cortasetos con extensión de alcance cuando haga mal tiempo, especialmente cuando haya riesgo de relámpagos.** Esto disminuye el riesgo de ser alcanzado por un rayo.
- **Para reducir el riesgo de electrocución, no lo utilice nunca cerca de líneas de energía eléctrica.** El contacto con o el uso cerca de líneas eléctricas podría causar lesiones graves o descarga eléctrica que puede provocar la muerte.
- **Use siempre ambas manos al operar el cortasetos con extensión de alcance.** Sujete el cortasetos con extensión de alcance con ambas manos para evitar la pérdida de control.
- **Use siempre protección para la cabeza al operar el cortasetos con extensión de alcance para trabajos de altura.** Los desechos que caen pueden ocasionar graves lesiones corporales.
- **Use un casco de conformidad con la norma ANSI Z89.1 (CAN/CSA Z94.1)**



ATENCIÓN: No exponer a la lluvia.

Normas de Seguridad Importantes



ADVERTENCIA: Lea y comprenda todas las **instrucciones**. El incumplimiento de las instrucciones que se indican a continuación podría provocar una descarga eléctrica, un incendio y/o lesiones corporales graves.

GUARDE ESTAS INSTRUCCIONES

Antes de Operar el Cortasetos de Altura



ATENCIÓN: La unidad no ha sido diseñada para proporcionar protección contra descargas eléctricas en caso de contacto con líneas eléctricas aéreas. Consulte los reglamentos locales para informarse sobre las distancias seguras de las líneas eléctricas aéreas y asegúrese de que la posición de operación sea segura antes de operar el cortasetos con extensión de alcance.

- Para una operación segura, lea y comprenda todas las instrucciones antes de usar el cortasetos de altura. Siga todas las instrucciones de seguridad. El no seguir todas las instrucciones de seguridad indicadas a continuación podría ocasionar graves lesiones corporales.
- Concéntrese en lo que esté haciendo. Use el sentido común. No utilice el cortasetos de altura cuando esté cansado.
- Sólo los adultos bien instruidos deberían operar el cortasetos de altura. No deje nunca que los niños lo operen.
- No utilice el cortasetos de altura para ningún trabajo excepto para el que ha sido diseñado.
- No permita que los niños o las personas no capacitadas usen este aparato.
- Cuando opere el cortasetos de altura use el siguiente equipo de seguridad:
 - guantes resistentes
 - calzado sólido
 - lentes o gafas de seguridad o protector facial que estén marcados como conformes con la norma ANSI Z87.1
 - mascarilla para el polvo (si trabaja en zonas con polvo)
- No use ropa holgada o joyas de ningún tipo que podrían engancharse en las hojas o piezas en movimiento del cortasetos de altura.
- Sujete el cabello largo para que quede por encima del nivel del hombro y así evitar un enredo en las piezas en movimiento.

Mientras Opera el Cortasetos de Altura

- Esté siempre alerta. Utilice el sentido común cuando opere la unidad.
- Mantenga limpia el área de trabajo. Las áreas de trabajo desordenadas aumentan el riesgo de lesiones.
- Mantenga a los niños, animales y personas circunstantes a una distancia segura del cortasetos de altura. Solamente

debe encontrarse en el área de trabajo del usuario del cortasetos de altura.

- **Agarre el cortasetos de altura de forma segura** - con una mano en el mango auxiliar y la otra en el mango principal.
- **No ponga el dedo sobre el gatillo hasta que esté listo para usar la herramienta.**
- **Antes de poner en funcionamiento el cortasetos de altura, asegúrese de que las hojas no estén tocando nada.**
- **Mantenga todas las partes del cuerpo alejadas de las hojas cuando el cortasetos de altura esté en funcionamiento.**
- **Transporte el cortasetos de altura de un lugar a otro**
 - con la batería sacada
 - sosteniendo la pértiga en el punto de equilibrio
 - con las hojas hacia la parte trasera
- **No opere la herramienta si hay poca luz.**
- **Durante la operación, descanse periódicamente y cambie las posiciones de trabajo para reducir el cansancio.**
- **Apoye bien los pies y mantenga el equilibrio.** No estire el cuerpo demasiado. La sobreextensión del cuerpo puede resultar en la pérdida de equilibrio o una exposición a las superficies afiladas.
- **No use, bajo ninguna circunstancia, ningún acoplamiento o accesorio en este producto, que no haya sido suministrado con el producto o identificado en este Manual de instrucciones como apropiado para ser utilizado con este producto.**

No Opere el Cortasetos de Altura

- si se encuentra bajo los efectos del alcohol, medicamentos o drogas. Bajo la lluvia o en áreas húmedas o mojadas
- donde haya líquidos o gases muy inflamables
- si el cortasetos de altura está dañado, mal ajustado, o no ensamblado bien o de forma segura
- si el gatillo no enciende y apaga el cortasetos de altura. Las hojas deben dejar de moverse cuando suelte el gatillo. Vaya a un centro de servicio autorizado para que cambien el interruptor defectuoso. Consulte **Reparaciones**.
- si está apurado
- si está en un árbol o escalera de mano.
- si está en brazos aéreos, cubos de elevación o plataformas
- durante fuertes vientos o tiempo de tormenta

Reglas de Seguridad Generales



ADVERTENCIA: Riesgo de descarga eléctrica.

Para protegerse contra una electrocución, no opere la herramienta a una distancia menor de 10 pies (3 m) de las líneas eléctricas aéreas. Consulte los reglamentos locales para informarse de las distancias seguras de las líneas eléctricas aéreas y asegúrese de que la posición de funcionamiento sea segura antes de operar el cortasetos con extensión de

alcance. El no hacer esto podría resultar en una lesión corporal grave.

- Mantenga los mangos secos, limpios y libres de aceite.
- Asegúrese de que las hojas de corte se hayan detenido antes de soltar la unidad.



PELIGRO: PELIGRO DE CORTE. Mantenga las manos alejadas de las hojas. Mantenga ambas manos en los mangos cuando el cortasetos de altura esté encendido.

- **NO INTENTE sacar el material cortado ni sujete el material que va a ser cortado cuando las hojas estén en movimiento.** Extraiga la batería cuando desobstruya el material atascado de las hojas. No agarre las hojas de corte expuestas o bordes afilados al recoger o sostener el cortasetos de altura.



ATENCIÓN: Las hojas se deslizan después de apagarse la herramienta.

- **NO FUERCE EL CORTASETOS DE ALTURA** - Funcionará mejor y con menos probabilidad de lesiones si se opera a la velocidad para la que fue diseñado.
- **DESCONECTE LA BATERÍA** del cortasetos de altura cuando no esté utilizándolo o cuando esté reparándolo o limpiándolo.
- **GUARDE EL CORTASETOS DE ALTURA EN EL INTERIOR CUANDO NO ESTÉ SIENDO UTILIZADO** - Cuando no esté usándose, el cortasetos de altura debería guardarse en el interior en un lugar seco y elevado o cerrado con llave y fuera del alcance de los niños.
- **CUIDE EL CORTASETOS DE ALTURA** - Mantenga las hojas de corte afiladas y limpias para un rendimiento óptimo y para reducir el riesgo de lesiones. Mantenga los mangos secos, limpios y libres de aceite y grasa.
- **VERIFIQUE SI HAY PIEZAS DAÑADAS** - Antes de volver a utilizar el cortasetos de altura, se debe verificar el protector u otra pieza que esté dañada para determinar si funcionará correctamente y realizará la función para la que fue diseñada. Compruebe la alineación y fijación de las piezas móviles, las piezas rotas, el montaje y cualquier otro condicionante que pueda afectar el funcionamiento correcto de la herramienta. Un protector u otra pieza que esté dañada debe ser reparada adecuadamente o cambiada por un centro de servicio autorizado a menos que se indique de otro modo en este manual.

Servicio

- **El mantenimiento de la herramienta debe realizarlo exclusivamente por personal de reparaciones calificado.** La realización de tareas de revisión o mantenimiento por parte de personal no calificado podría provocar lesiones. Consulte **Reparaciones**.
- **Cuando realice el mantenimiento de una herramienta, utilice únicamente repuestos originales. Siga las instrucciones en la sección de Mantenimiento de este manual.** El uso de piezas no autorizadas o el no seguir las Instrucciones de mantenimiento puede crear un riesgo de descarga eléctrica o lesiones.

Normas de Seguridad Específicas

- **Sostenga la herramienta por las superficies de agarre aisladas cuando realice una operación en la que la herramienta de corte pueda tocar cables eléctricos ocultos.** El contacto con un cable bajo tensión, hará que las partes metálicas expuestas de la herramienta tengan "corriente eléctrica" y provocará una descarga eléctrica al operador.

Instrucción Adicional de Seguridad

- ⚠ **ADVERTENCIA:** Nunca modifique la herramienta eléctrica, ni tampoco ninguna de sus piezas. Podría producir lesiones corporales o daños.
- ⚠ **ADVERTENCIA:** Use **SIEMPRE** lentes de seguridad. Los anteojos de diario **NO SON** lentes de seguridad. Utilice además una cubrebocas o mascarilla antipolvo si la operación de corte genera demasiado polvo. **SIEMPRE LLEVE EQUIPO DE SEGURIDAD CERTIFICADO:**
 - protección ocular ANSI Z87.1 (CAN/CSA Z94.3),
 - protección auditiva ANSI S12.6 (S3.19),
 - protección respiratoria NIOSH/OSHA/MSHA.
- ⚠ **ADVERTENCIA:** Algún polvo contiene químicos conocidos por el Estado de California que causan cáncer, defectos de nacimiento u otros daños reproductivos. Algunos ejemplos de estos químicos son:
 - compuestos en fertilizantes,
 - compuestos en insecticidas, herbicidas y pesticidas,
 - arsénico y cromo a partir de madera tratada químicamente.

Para reducir su exposición a estos químicos, use equipo de seguridad aprobado, tal como máscaras de polvo que estén diseñadas específicamente para filtrar partículas microscópicas.

- ⚠ **ADVERTENCIA:** La utilización de esta herramienta puede generar polvo o dispersarlo, lo que podría causar daños graves y permanentes al sistema respiratorio, así como otras lesiones. Siempre use protección respiratoria aprobada por NIOSH (Instituto Nacional de Seguridad y Salud en el Trabajo) u OSHA (Administración de Seguridad y Salud en el Trabajo) apropiada para la exposición al polvo. Dirija las partículas en dirección contraria a la cara y el cuerpo.
- ⚠ **ADVERTENCIA:** Siempre lleve la debida protección auditiva personal en conformidad con ANSI S12.6 (S3.19) durante el uso de esta herramienta. Bajo algunas condiciones y duraciones de uso, el ruido producido por este producto puede contribuir a la pérdida auditiva.
- ⚠ **ATENCIÓN:** Cuando no esté en uso, guarde la herramienta apoyada en un costado sobre una superficie estable, donde no interrumpa el paso o provoque una caída. Algunas herramientas con paquetes de baterías de gran tamaño pueden colocarse paradas sobre el paquete de baterías, pero pueden caerse fácilmente.

- **Los orificios de ventilación suelen cubrir piezas en movimiento, por lo que también se deben evitar.** Las piezas en movimiento pueden atrapar prendas de vestir sueltas, joyas o el cabello largo.

La etiqueta de su herramienta puede incluir los siguientes símbolos. A continuación se indican los símbolos y sus definiciones:

V	voltios	~ or AC.....	corriente alterna
Hz	hertz	⎓ or AC/DC.....	corriente alterna o directa
min	minutos	☐	Construcción de Clase II (doble aislamiento)
— — or DC.....	direct current	n ₀	velocidad sin carga
Ⓛ	Construcción de Clase I (tierra)	IPXX	símbolo IP
... /min.....	por minuto	n	velocidad nominal
BPM.....	golpes por minuto	⊕	terminal de conexión a tierra
IPM	impactos por minuto	⚠	símbolo de advertencia de seguridad
RPM	revoluciones por minuto	⚠	radiación visible
sfpm	pies de superficie por minuto	⊕	protección respiratoria
SPM	pasadas por minuto	⊕	protección ocular
OPM.....	oscilaciones por minuto	⊕	protección auditiva
A	amperios	📄	lea toda la documentación
W	watios		

BATERÍAS Y CARGADORES

La batería no viene completamente cargada de fábrica. Antes de utilizar la batería y el cargador, lea las siguientes instrucciones de seguridad y luego siga los procedimientos de carga indicados. Cuando pida baterías de repuesto, no olvide indicar el número de catálogo y el voltaje.

LEA TODAS LAS INSTRUCCIONES

Instrucciones de Seguridad Importantes Para Todas las Unidades de Batería

- ⚠ **ADVERTENCIA:** Lea todas las advertencias de seguridad, instrucciones y marcas de precaución para el paquete de la batería, el cargador y el producto. No seguir las advertencias y las instrucciones puede provocar una descarga eléctrica, un incendio y/o lesiones graves.
- **No cargue o use la unidad de batería en atmósferas explosivas, como en presencia de líquidos, gases o polvos inflamables.** Puede que al insertar o sacar la unidad de batería del cargador se inflamen el polvo o los gases.
- **Cuando el paquete de batería no esté en uso, manténgalo alejado de otros objetos metálicos, como sujetadores de papel, monedas, llaves, clavos, tornillos, u otros objetos pequeños de metal que puedan hacer una conexión de una terminal a otra.**

Conectar en corto circuito las terminales de la batería puede causar quemaduras o un incendio.

- **NUNCA fuerce la unidad de batería para que entre en el cargador. NO modifique la unidad de batería en ninguna forma para que entre en un cargador no compatible, pues puede producir una ruptura en la unidad de batería y causar lesiones corporales graves.** Consulte la tabla al final de este manual para ver la compatibilidad entre baterías y cargadores.
- Cargue las unidades de batería sólo en los cargadores designados por DEWALT.
- **NO salpique con ni sumerja en agua u otros líquidos.**
- **No guarde ni use la herramienta y unidad de batería en lugares donde la temperatura pueda alcanzar o superar los 40 °C (104 °F), tales como cobertizos o construcciones de metal durante el verano.** Almacene las unidades de batería en lugares frescos y secos para maximizar su vida útil.
- **NOTA: No almacene las unidades de batería en la herramienta con el interruptor de gatillo en posición encendida fija. Nunca use cinta adhesiva para mantener el interruptor de gatillo en posición ENCENDIDA.**
- **No exponga un paquete de batería o herramienta/aparato a fuego o temperatura excesiva.** La exposición a fuego o temperatura mayor a 130 °C (265 °F) puede causar una explosión.
- **No incinere la unidad de batería, aunque esté completamente dañada o descargada. La unidad de batería puede explotar si se quema.** Cuando se queman unidades de batería de iones de litio, se producen gases y materiales tóxicos.
- **Si el contenido de la batería entra en contacto con la piel, lave el área de inmediato con agua y un jabón suave.** Si el líquido de la batería entra en contacto con sus ojos, enjuáguelos con agua y los ojos abiertos por 15 minutos o hasta que cese la irritación. Si se requiere de asistencia médica, el electrolito de la batería está compuesto por una mezcla de carbonatos orgánicos líquidos y sales de litio.
- **El contenido de los elementos abiertos de la batería puede causar irritación en el tracto respiratorio.** Salga al aire fresco. Si los síntomas persisten, busque asistencia médica.



ADVERTENCIA: Peligro de quemaduras. El líquido de la batería puede ser inflamable si se expone a chispas o llamas.



ADVERTENCIA: Peligro de incendio. Nunca intente abrir la unidad de batería por ningún motivo. Si la caja exterior de la unidad de batería se triza o daña, no la introduzca en el cargador. No triture, deje caer o dañe la unidad de batería. No use una unidad de batería o un cargador que haya sido golpeado, dejado caer, atropellado o dañado en cualquier forma (por ejemplo, perforado por un clavo, golpeado con un martillo, pisado). Lleve sus unidades

de batería dañadas al centro de servicio para que sean recicladas.

Recomendaciones de Almacenamiento

1. El mejor lugar de almacenamiento es uno que sea fresco y seco, lejos de la luz solar directa y del exceso de calor o frío.
2. Para resultados óptimos durante tiempos prolongados de almacenamiento, se recomienda almacenar la unidad de batería completamente cargada en un lugar fresco y seco fuera del cargador.

NOTA: Las unidades de batería no deberían almacenarse completamente descargadas. La unidad de batería deberá recargarse antes de ser usada.

Instrucciones de Limpieza del Batería

Para limpiar la suciedad y grasa del exterior del cargador puede usarse un paño o cepillo suave no metálico. No use agua ni soluciones limpiadoras.

Unidades de Batería con Indicador de Carga

Algunas unidades de batería DEWALT incluyen un indicador de carga que consiste de tres luces LED que indican el nivel de carga que queda en la unidad de batería.

El indicador de carga es una indicación de niveles aproximados de carga que quedan en la batería según los indicadores siguientes:



Para activar el indicador de carga, presione y sostenga el botón del indicador. Se iluminará una combinación de las tres luces LED, que indicará el nivel de carga que queda. Cuando el nivel de carga está por debajo del nivel útil, el indicador no se iluminará, y la batería deberá recargarse.

NOTA: El indicador de carga es sólo eso: un indicador de la carga de la unidad de batería. No indica el nivel de funcionalidad de la herramienta y puede variar de acuerdo a las piezas del producto, la temperatura y la aplicación que el usuario le dé.

Para mayor información sobre unidades de batería con indicadores de carga, por favor llame al 1-800-4-DEWALT (1-800-433-9258) o visite nuestro sitio Web: www.dewalt.com

Transporte



ADVERTENCIA: Peligro de incendio. No guarde o transporte la batería de forma que los terminales expuestos de la misma puedan estar en contacto con objetos metálicos. Por ejemplo, no ponga la batería en delantales, bolsillos, cajas de herramientas, estuches de productos, cajones, etc.,

junto con clavos, tornillos, y llaves, etc. sueltos. **El transporte de baterías puede causar incendios si sus terminales inadvertidamente entran en contacto con materiales conductores como llaves, monedas, herramientas manuales y otros por el estilo.** El Reglamento sobre Materiales Peligrosos (HMR) del Departamento de Transporte de EE.UU. prohíbe transportar baterías comercialmente o en aviones en el equipaje de mano A MENOS que estén debidamente protegidas contra cortocircuitos. Por lo tanto, cuando transporte baterías individuales, asegúrese de que sus terminales estén protegidos y debidamente aislados de los materiales que pudieran entrar en contacto con ellos y provocar un cortocircuito. **NOTA:** Las baterías de iones de Li-ion no deben colocarse dentro del equipaje registrado.

El sello RBRC®

El sello RBRC® (Rechargeable Battery Recycling Corporation) en las baterías (unidades de batería) de níquel cadmio, níquel e hidruro metálico o de iones de litio indica que el costo de reciclaje de estas baterías (o unidades de batería) al llegar al final de su vida de servicio ya ha sido pagado por DEWALT. En algunas áreas, es ilegal depositar baterías de níquel cadmio, níquel e hidruro metálico o de iones de litio gastadas en la basura o la corriente de residuos sólidos urbanos; el programa Call 2 Recycle® proporciona una alternativa ecológica.

Call 2 Recycle, Inc., en cooperación con DEWALT y otros usuarios de baterías, han establecido programas en los Estados Unidos y Canadá para facilitar la recolección de baterías de níquel cadmio, níquel e hidruro metálico o de iones de litio gastadas. Al llevar sus baterías de níquel cadmio, níquel e hidruro metálico y de iones de litio gastadas a un centro de servicio autorizado por DEWALT o al minorista local para que sean recicladas, ayuda a proteger el medio ambiente y a conservar recursos naturales. También puede comunicarse con el centro de reciclaje de su localidad para mayor información sobre dónde llevar sus baterías gastadas.

RBRC® es una marca comercial registrada de Call 2 Recycle, Inc.

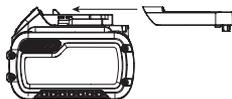
Transporte de la Batería FLEXVOLT™ de DEWALT

La batería FLEXVOLT™ de DEWALT tiene dos modalidades: **Uso y transporte.**

Modalidad de uso: Cuando la batería FLEXVOLT™ está independiente o está en un producto DEWALT de 20 V Máx* funcionará como una batería de 20 V Máx*. Cuando la batería FLEXVOLT™ está en un producto de 60 V Máx* o 120 V Máx* (dos baterías de 60 V Máx*), funcionará como una batería de 60 V Máx*.

Modalidad de transporte:

Cuando la batería FLEXVOLT™ tiene puesta la tapa, la batería está en modalidad de transporte. Cadenas de celdas están desconectadas eléctricamente dentro de la



unidad de batería, lo que resulta en tres baterías con una capacidad nominal de vatios hora (Wh) inferior comparada con una batería con una capacidad nominal de vatios hora superior. Esta mayor cantidad de tres baterías con una capacidad nominal de vatios-hora menor puede hacer que la unidad de batería quede exenta de ciertos reglamentos de transporte que se imponen a las baterías con mayor capacidad nominal de vatios-hora.

La etiqueta en la batería indica dos capacidades nominales de vatios-hora (ver el ejemplo). Dependiendo de cómo se transporta la batería, debe usarse la capacidad nominal de vatios-hora apropiada para determinar los requisitos de transporte aplicables. Si se utiliza la tapa de transporte, la unidad de batería será considerada tres baterías con la capacidad nominal de vatios-hora indicada para «Transporte». Si se transporta sin la tapa o en una herramienta, la unidad de batería será considerada una batería con la capacidad nominal de vatios-hora indicada al lado de «Uso».

Ejemplo de Marcado en Etiqueta de Uso y Transporte

USE: 120 Wh Shipping: 3 x 40 Wh

Por ejemplo, la capacidad nominal de Wh de Transporte puede indicar 3 x 40 Wh, lo que significa 3 baterías de 40 vatios-hora cada una. La capacidad nominal de Wh de Uso puede indicar 120 Wh (se implica 1 batería).

Instrucciones Importantes de Seguridad Para Todos los Cargadores de Baterías



ADVERTENCIA: Lea todas las advertencias de seguridad, instrucciones y marcas de precaución para el paquete de la batería, el cargador y el producto. No seguir las advertencias y las instrucciones puede provocar una descarga eléctrica, un incendio y/o lesiones graves.

- **NO intente cargar el paquete de batería con ningún cargador diferente a un cargador DEWALT.** El cargador y el paquete de batería DEWALT están diseñados específicamente para funcionar juntos.
- **Estos cargadores no fueron diseñados para ser utilizados para más que cargar las baterías recargables DEWALT.** Cualquier otro uso puede producir riesgo de incendios, descargas eléctricas o electrocución.
- **No exponga el cargador a la lluvia o a la nieve.**
- **Tire del enchufe y no del cable cuando desconecte el cargador.** De esta forma se reduce el riesgo de daño al enchufe y cable.
- **Asegúrese de que el cable no sea ubicado de manera que podría ser pisado, causar que alguien tropiece con él o ser expuesto a otro tipo de daños y desgastes.**
- **No use un alargador a menos que sea absolutamente necesario.** El uso de un alargador incorrecto podría producir riesgo de incendios, descargas eléctricas o electrocución.
- **Cuando opere un cargador al exterior, hágalo siempre en un lugar seco y use un alargador**

apropiado para uso al exterior. El uso de un alargador apropiado para uso al exterior reduce el riesgo de descarga eléctrica.

- **Los hilos del alargador deben ser de un calibre apropiado (AWG o American Wire Gauge) para su seguridad.** Mientras menor sea el calibre del hilo, mayor la capacidad del cable. Es decir, un hilo calibre 16 tiene mayor capacidad que uno de 18. Un cable de un calibre insuficiente causará una caída en la tensión de la línea dando por resultado una pérdida de energía y sobrecalentamiento. Cuando se utilice más de un alargador para completar el largo total, asegúrese que los hilos de cada alargador tengan el calibre mínimo. La tabla siguiente muestra el tamaño correcto a utilizar, dependiendo de la longitud del cable y del amperaje nominal de la placa de identificación. Si tiene dudas sobre cuál calibre usar, use un calibre mayor. Cuanto menor sea el número del calibre, más resistente será el cable.

Calibre mínimo de conjuntos de cables

Voltios	Longitud total del cable en pies (metros)				
	120V	25 (7,6)	50 (15,2)	100 (30,5)	150 (45,7)
240V	50 (15,2)	100 (30,5)	200 (61,0)	300 (91,4)	
Amperaje nominal	AWG				
0	6	18	16	16	14
6	10	18	16	14	12
10	12	16	16	14	12
12	16	14	12	No recomendado	

- **ADVERTENCIA:** Si el enchufe o el cable de alimentación están dañados lo debe reemplazar el fabricante o su representante o por una persona igualmente calificada para evitar peligro.

- **No coloque ningún objeto encima del cargador ni coloque a este sobre una superficie blanda que pudiera bloquear las ranuras de ventilación y resultar en un calor interno excesivo.** Coloque el cargador en un lugar alejado de cualquier fuente de calor. El cargador se ventila a través de las ranuras que se encuentran en la parte superior e inferior de la caja protectora.
- **No opere el cargador si su cable o enchufe están dañados**—reemplácelos de inmediato.
- **No opere el cargador si ha recibido un golpe agudo, si se ha caído o si ha sido dañado de alguna otra forma.** Llévelo a un centro de servicio autorizado.
- **No desarme el cargador; llévelo a un centro de servicio autorizado cuando deba ser reparado.** Si es reensablado incorrectamente, puede causar descargas eléctricas, electrocución o incendios.
- **Desenchufe el cargador antes de intentar limpiarlo.** Esto reducirá el riesgo de descargas eléctricas. El retirar el paquete de baterías no reducirá este riesgo.
- **NUNCA** intente conectar 2 cargadores entre sí.
- **El cargador está diseñado para operar con una corriente eléctrica estándar residencial de 120 V. No**

intente usarlo con ningún otro voltaje. Esto no aplica al cargador vehicular.

- **ADVERTENCIA:** Peligro de descarga eléctrica. No permita que ningún líquido se introduzca en el cargador. Puede producir descargas eléctricas.
- **ADVERTENCIA:** Peligro de quemaduras. No sumerja la unidad de batería en líquido de ningún tipo ni permita que se introduzca ningún tipo de líquido a la unidad de batería. Nunca intente abrir la unidad de batería por ningún motivo. Si la caja plástica de la unidad de batería se triza o rompe, llévela a un centro de servicio para su reciclaje.
- **ATENCIÓN:** Peligro de quemaduras. Para reducir el riesgo de lesiones, sólo cargue unidades de batería recargables DeWALT marca. Otros tipos de batería podrían sobrecalentarse y reventar lo que podría resultar en lesiones corporales y daños a su propiedad.
- **ATENCIÓN:** Bajo ciertas condiciones, cuando el cargador está enchufado a una toma de corriente, el cargador puede hacer cortocircuito si entra en contacto con algún material ajeno. Los materiales ajenos de naturaleza conductora, como el polvo de esmerilado, las placas de metal, la lana de acero, el papel de aluminio y otros, o cualquier acumulación de partículas metálicas deberían mantenerse alejados de las cavidades del cargador. Desenchufe siempre el cargador cuando no haya una unidad de batería en su cavidad. Desenchufe el cargador antes de intentar limpiarlo.

Carga de la Batería

NOTA: Para garantizar el máximo desempeño y la vida útil de los paquetes de baterías de iones de litio, cargue la batería por completo antes del primer uso.

1. Conecte el cargador en un tomacorriente apropiado antes de insertar el paquete de batería.
2. Conecte el cargador y el paquete de baterías, asegurándose que la batería esté completamente asentada. La luz (carga) parpadeará continuamente indicando que el proceso de carga ha comenzado.
3. La terminación de la carga se indicará por la luz que permanece encendida continuamente. El paquete de batería está completamente cargado y se puede retirar y usar en este momento o dejarse en el cargador.

NOTA: Para retirar el paquete de la batería, algunos cargadores requieren que se presione el botón de liberación del paquete de batería.

Indicadores	
	Unidad en Proceso de Carga
	Unidad Cargada
	Restraso por Unidad Caliente/ Fría*

ESPAÑOL

*DCB107, DCB112, DCB113, DCB115, DCB118,

DCB132: La luz roja continuará parpadeando, pero una luz indicadora amarilla estará iluminada durante esta operación. Una vez que la batería haya llegado a una temperatura apropiada, la luz amarilla se apagará y el cargador continuará con el procedimiento de carga.

Un cargador no cargará una batería defectuosa. El cargador que se niega a encenderse podría indicar un problema con el cargador.

NOTA: Si el cargador no quiere encender, lleve el cargador y el paquete de batería para que los prueben en un centro de servicio autorizado.

Permanencia de la Unidad de Batería en el Cargador

El cargador y la unidad de batería pueden dejarse conectados con la luz del cargador indicando que la unidad está cargada.

Retraso por Batería Caliente/Fría

Cuando el cargador detecta que una batería está demasiado caliente o demasiado fría, inicia automáticamente un Retraso por batería caliente/fría y suspende la carga hasta que la batería alcanza una temperatura adecuada. En ese momento, el cargador inicia automáticamente el modo de carga de la batería. Esta función garantiza la máxima duración de la batería.

Una batería fría puede cargar más lentamente que una batería caliente.

El cargador DCB118 está equipado con un ventilador interno diseñado para enfriar la batería. El ventilador se encenderá automáticamente cuando la batería tenga que enfriarse.

No opere nunca el cargador si el ventilador no funciona adecuadamente o si las ranuras de ventilación están obstruidas. No permita que entren objetos extraños dentro del cargador.

Sistema de protección electrónica

Las herramientas con baterías de iones de litio están diseñadas con un Sistema de protección electrónico que protegerá la batería contra la sobrecarga, el sobrecalentamiento o la descarga completa. La herramienta se apagará automáticamente si el Sistema de protección electrónico se activa. Si esto ocurre, coloque la batería de iones de litio en el cargador hasta que esté totalmente cargada.

Notas Importantes Sobre la Carga

1. Se puede obtener una mayor duración y un mejor rendimiento si la unidad de batería se carga a una temperatura ambiente de 18 °C–24 °C (65 °F–75 °F). NO cargue cuando el paquete de batería esté debajo de +4,5 °C (+40 °F), o arriba de +40 °C (+104 °F). Esto es importante y evitará causar daños graves a la batería.
2. Puede que el cargador y la unidad de batería se calienten ligeramente durante el proceso de carga. Esto es normal y no representa ningún problema. Para facilitar el enfriamiento de la unidad de batería después del uso, evite colocar el cargador o la unidad de batería en un lugar cálido, como un cobertizo metálico o un remolque sin aislamiento térmico.

3. Si la unidad de batería no se carga correctamente:
 - a. Verifique el funcionamiento de la toma enchufando una lámpara u otro aparato;
 - b. Revise que la toma de corriente no esté conectada a un interruptor de luz que corte la corriente cuando se corte la luz;
 - c. Mueva el cargador y la unidad de batería a un lugar donde la temperatura ambiental sea aproximadamente 18 °C–24 °C (65 °F–75 °F);
 - d. Si el problema de carga continúa, lleve la herramienta, unidad de batería y el cargador a su centro de servicio local.
4. La unidad de batería debería ser recargada cuando no sea capaz de producir suficiente potencia para trabajos que eran fácilmente realizados antes. NO CONTINÚE usándola bajo estas circunstancias. Siga el procedimiento de carga. También puede cargar una unidad de batería que haya sido usada parcialmente cuando lo desee, sin dañarla.
5. Los materiales ajenos conductores por naturaleza, tales como, pero sin limitarse a, el polvo del esmerilado, las virutas metálicas, la lana de acero, el papel de aluminio o cualquier acumulación de partículas metálicas deberían mantenerse alejados de las cavidades del cargador. Desenchufe siempre el cargador de la toma de corriente cuando no haya una unidad de batería en su cavidad. Desenchufe el cargador antes de intentar limpiarlo.
6. No congele ni sumerja el cargador en agua o cualquier otro líquido.

Instrucciones de Limpieza del Cargador



ADVERTENCIA: Riesgo de descarga eléctrica.

Desconecte el cargador del tomacorriente de CA antes de limpiarlo. Para limpiar la suciedad y grasa del exterior del cargador puede usarse un paño o cepillo suave no metálico. No use agua ni soluciones limpiadoras.

Montaje en la Pared

DCB107, DCB112, DCB113, DCB115, DCB118, DCB132

Estos cargadores están diseñados para montarse en la pared o colocarse en posición vertical sobre una mesa o superficie de trabajo. Si lo monta en la pared, coloque el cargador al alcance de una toma de corriente eléctrica y alejado de las esquinas u otras obstrucciones que puedan impedir el flujo de aire. Utilice la parte de atrás del cargador como plantilla para la ubicación de los tornillos de montaje en la pared. Monte el cargador firmemente utilizando tornillos para muro seco (comprados por separado) de un mínimo de 25,4 mm (1") de largo, con una cabeza de un diámetro de 7-9 mm (0,28–0,35"), atornillados en madera hasta una profundidad óptima dejando el tornillo expuesto aproximadamente 5,5 mm (7/32"). Alinee las ranuras en la parte trasera del cargador con los tornillos expuestos e introdúzcalos totalmente en las ranuras.

Uso Debido

Esta podadora de setos de poste está diseñada para aplicaciones de paisajismo profesionales.

NO utilice la herramienta en condiciones de humedad o en presencia de líquidos o gases inflamables.

Este cortasetos de altura es una herramienta eléctrica profesional.

NO permita que los niños toquen la herramienta. Si el operador no tiene experiencia operando esta herramienta, su uso deberá ser supervisado.

MONTAJE Y AJUSTES

! **ADVERTENCIA:** Para reducir el riesgo de lesiones personales, apague la unidad y retire el paquete de batería antes de realizar cualquier ajuste o retirar/instalar conexiones o accesorios.

Una activación de arranque accidental puede causar lesiones.

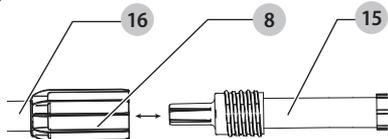
Unión del ensamble de cabeza de podadora al ensamble de manija (Fig. A, B)

La combinación del ensamble de manija **15** con el ensamble de cabeza de podadora **16** crea una podadora de poste de aproximadamente 2,1 m (7') de largo.

1. Alinee la ranura en el exterior del extremo de acoplamiento del ensamble de la manija **15** con la lengüeta en el interior del extremo del acoplamiento del ensamble de la cabeza de la podadora **16**.
2. Deslice la camisa roscada **8** en el ensamble de la cabeza de podadora hacia abajo lo más que pueda y gire la camisa en sentido de las manecillas del reloj hasta que se detenga y cubra completamente las roscas.

! **ADVERTENCIA:** Siempre verifique que la camisa esté completamente roscada y que las roscas ya no se puedan ver. Si no se enrosca la camisa por completo, los ensambles podrían desconectarse creando una situación peligrosa. Compruebe periódicamente las conexiones para asegurarse que no haya ninguna rosca visible.

Fig. B

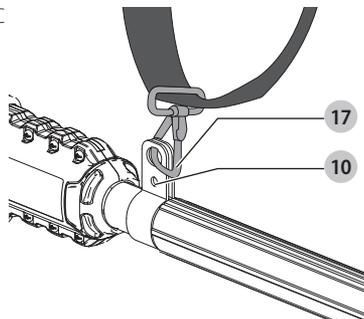


Conexión y ajuste de correa de hombro (Fig. C)

La podadora de setos de poste incluye una correa de hombro.

1. Coloque el seguro de la correa para el hombro **17** en el soporte de la correa **10** ubicado en la unidad, justo en frente del gatillo de encendido/apagado, como se muestra en la Fig. C. Ajuste la correa para que se ajuste sobre su hombro.

Fig. C



Giro de cabeza de podadora (Fig. A, D, E, G)

La cabeza de podadora gira 180° y se puede bloquear en 7 posiciones diferentes dentro de ese rango. Para evitar ser pellizcado, no sujete las cuchillas. Use guantes y sostenga la unidad como se muestra en la Figura G.

! **ADVERTENCIA:** Antes de conectar la batería a la unidad, asegúrese que la cabeza de la podadora esté bloqueada en su posición.

Para girar la cabeza de la podadora

1. Con una mano sujetando firmemente la cabeza de la podadora, use la otra mano para presionar el botón de bloqueo **13** y gire la manija de la cabeza de la podadora **14** para girar la cabeza de la podadora como se muestra en la Figura E.
2. Bloquee la cabeza de la podadora en una de las siete posiciones de operación. Para bloquear la cabeza de la podadora en su lugar, suelte la manija de la cabeza de la podadora. Verifique para asegurarse que la cabeza de la podadora esté bloqueada en su posición tratando de mover el alojamiento del motor. Si no está bloqueado, gírelo a la posición de bloqueo más cercana.

Fig. D

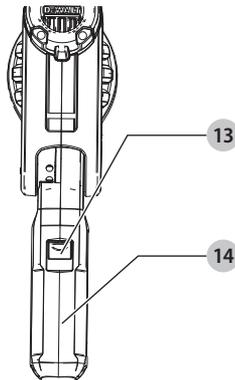
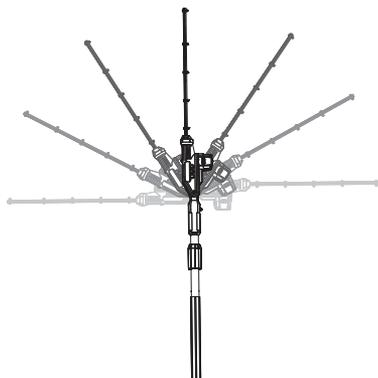


Fig. E



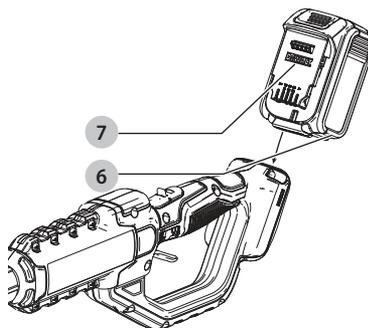
Cómo Instalar y Retirar la Unidad de Batería (Fig. F)

NOTA: Para mejores resultados, verifique que su unidad de batería esté completamente cargada.

Para instalar la unidad de batería **6** en el mango de la herramienta, alinee la unidad de batería con los rieles en el interior del mango de la herramienta y deslícela en el mango hasta que la unidad de batería quede firmemente insertada en la herramienta; verifique que ésta no se salga sola.

Para retirar la unidad de batería de la herramienta, presione el botón de liberación **7** y tire firmemente de la de batería para sacarla del mango de la herramienta. Insértela en el cargador tal como se describe en la sección del cargador de este manual.

Fig. F



OPERACIÓN

⚠ ADVERTENCIA: Para reducir el riesgo de lesiones personales, apague la unidad y retire el paquete de batería antes de realizar cualquier ajuste o retirar/instalar conexiones o accesorios.

Una activación de arranque accidental puede causar lesiones.

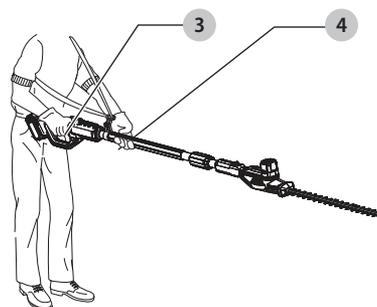
Colocación adecuada de manos (Fig. G)

⚠ ADVERTENCIA: Para reducir el riesgo de lesiones personales serias, **SIEMPRE** use la posición de las manos adecuada como se muestra.

⚠ ADVERTENCIA: Para reducir el riesgo de lesiones personales serias, **SIEMPRE** sostenga firmemente en anticipación de una reacción repentina.

La posición de manos adecuada requiere una mano en la manija principal **3** y la otra sobre la manija auxiliar **4**.

Fig. G



Encendido y apagado de podadora de setos de poste (Fig. A)

Asegúrese que la cabeza de podadora esté bloqueada en una de las siete posiciones de operación. Consulte la sección **Giro de cabeza de podadora**.

Para encender la herramienta, deslice el botón de bloqueo en apagado **2** hacia atrás y apriete el interruptor de gatillo **1**. (Una vez que la herramienta esté en operación, puede liberar la palanca de bloqueo de apagado.)

Para APAGAR la herramienta, libere el gatillo.

Antes de operar el cortasetos de poste

⚠ ADVERTENCIA: La unidad no ha sido diseñada para proporcionar protección contra descargas eléctricas en caso de contacto con líneas eléctricas aéreas. Consulte las normativas locales respecto a distancias seguras desde líneas eléctricas aéreas y asegúrese que la posición de operación sea segura antes de utilizar el dispositivo de alcance extendido.

- Para una operación segura, lea y comprenda todas las instrucciones antes de usar el cortasetos de poste. Siga todas las instrucciones de seguridad. La falla en seguir todas las instrucciones de seguridad indicadas a continuación puede ocasionar lesiones personales graves.
- Observe lo que está haciendo. Utilice el sentido común. No opere el cortasetos de poste cuando esté cansado.
- Sólo adultos bien capacitados deben operar el cortasetos de poste. Nunca permita que los niños lo operen.
- No utilice la unidad para ningún trabajo excepto para el que está diseñada.

- No permita que niños o personas sin capacitación usen esta unidad.
- Siempre use un casco aprobado por ANSI/CSA cuando opere el cortasetos de poste arriba de la cabeza. La caída de escombros puede provocar lesiones graves.
- Use el siguiente equipo de seguridad cuando opere el cortasetos de poste:
 - protección de cabeza marcada para cumplir con ANSI Z89.1
 - guantes resistentes
 - calzado suficiente
 - gafas de seguridad, gafas o pantalla facial que estén marcadas para cumplir con ANSI Z87.1
 - máscara de cara o polvo (si trabaja en áreas polvorientas)
- No use ropa suelta o joyas de ningún tipo que puedan quedar atrapadas en las aspas en movimiento o partes móviles del cortasetos de poste.
- Asegure el cabello largo para que esté por encima del nivel de los hombros para evitar enredos en las partes móviles.

Mientras opera el cortasetos de poste

- Manténgase alerta. Use el sentido común mientras opera la unidad.
- Mantenga el área de trabajo limpia. Las áreas desordenadas pueden provocar lesiones.
- Mantenga a los niños, animales y transeúntes a una distancia segura de la unidad. Sólo el usuario debe estar en el área de trabajo.
- Sujete la unidad firmemente, una mano en la manija de gatillo, y la otra en la manija de poste.
- Mantenga el dedo fuera del gatillo hasta que esté listo para usar.
- Antes de arrancar la unidad, asegúrese que las cuchillas no estén tocando nada.
- Mantenga todas las partes del cuerpo alejadas de las cuchillas cuando el cortasetos de poste esté funcionando.
- Transporte de la unidad de un lugar a otro
 - con la batería retirada
 - sosteniendo el poste en el punto de equilibrio
 - con la cubierta de cuchilla en su lugar
- No opere con poca luz.
- Durante la operación, descansen periódicamente y cambie las posiciones de trabajo para reducir la fatiga.
- Mantenga una posición de los pies y equilibrio firmes. No se estire. Estirarse demasiado puede provocar la pérdida de equilibrio o la exposición a superficies afiladas.
- No utilice, bajo ninguna circunstancia, ninguna conexión o accesorio en este producto, que no se haya provisto con el mismo, o identificado como apropiado para uso con este producto en este Manual de instrucciones.

No opere el cortasetos de poste

- bajo la influencia de alcohol, medicamentos o drogas
- en lluvia o en áreas húmedas o mojadas
- donde hayan líquidos o gases altamente inflamables presentes
- si la unidad está dañada, ajustada incorrectamente o no ensamblada de manera segura y completa
- si el gatillo no enciende y apaga la unidad. Las cuchillas deben dejar de girar cuando libera el gatillo. Pida que el interruptor defectuoso sea reemplazado por un centro de servicio autorizado. Consulte **Reparaciones**.
- si tiene prisa
- mientras está en un árbol o en una escalera
- mientras se encuentra en plataformas aéreas, cubos o plataformas
- durante vientos fuertes o clima de tormenta

Instrucciones de poda (Fig. H–L)

⚠ PELIGRO: Mantenga las manos lejos de la cuchilla.

⚠ ADVERTENCIA: Para evitar lesiones, observe lo siguiente:

- Lea el manual de instrucciones antes de usar. Guarde el manual de instrucciones.
- Verifique el seto en busca de objetos extraños, como alambres o vallas, antes de cada uso.
- Mantenga las manos en las manijas. No se estire en exceso.
- No lo use en condiciones húmedas.

⚠ ATENCIÓN: Las cuchillas pueden continuar girando después que se apaga.

Posición de trabajo (Fig. H, I)

Mantenga una posición y equilibrio adecuados y no se estire demasiado. Use gafas de seguridad, calzado antideslizante y guantes de hule cuando corte. Sostenga la herramienta firmemente con ambas manos y encienda la unidad. Sostenga siempre la podadora, como se muestra en la Fig. H, con una mano en la manija del interruptor y una mano en la manija auxiliar. Nunca sostenga la unidad por la cabeza de la podadora.

Fig. H

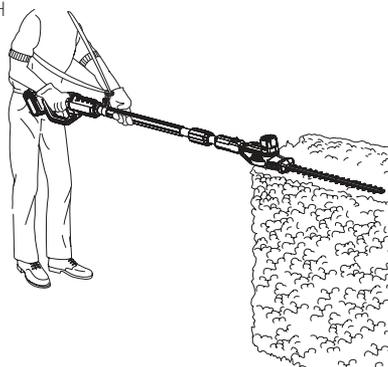
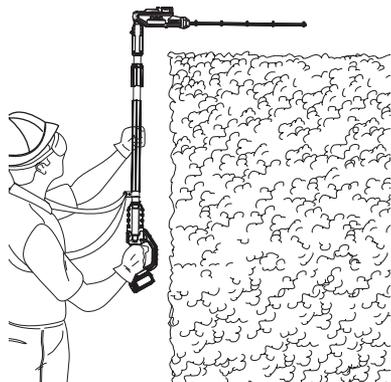


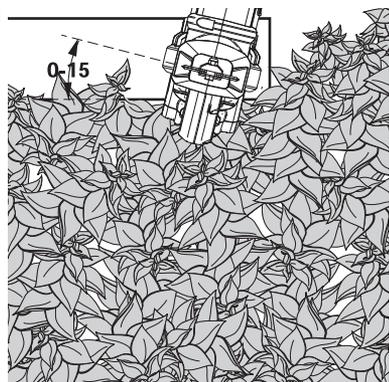
Fig. I



Poda de retoños (Fig. J)

Usar un movimiento amplio y de barrido, y pasar los dientes de la cuchilla a través de las ramas, es más efectivo. Una ligera inclinación hacia abajo de la hoja en la dirección del movimiento proporciona el mejor corte.

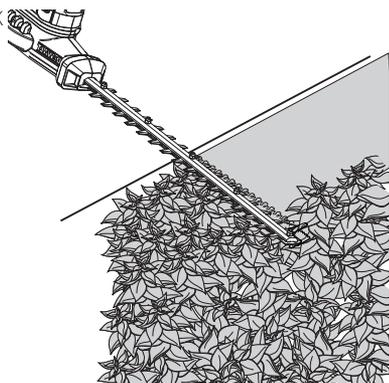
Fig. J



Nivelación de setos (Fig. K)

Para obtener setos excepcionalmente nivelados, se puede estirar una cuerda a lo largo del seto como guía.

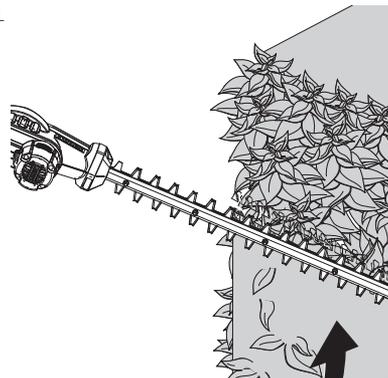
Fig. K



Poda lateral de setos (Fig. L)

Oriente la podadora como se muestra y comience en la parte inferior y barra hacia arriba.

Fig. L



MANTENIMIENTO

⚠ ADVERTENCIA: Para reducir el riesgo de lesiones personales, apague la unidad y retire el paquete de batería antes de realizar cualquier ajuste o retirar/instalar conexiones o accesorios. Una activación de arranque accidental puede causar lesiones.

Lubricación (Fig. A)

Cuchillas

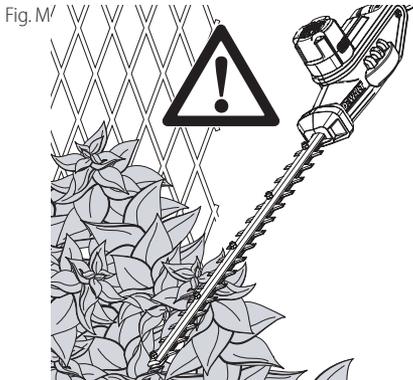
1. Después del uso, limpie cuidadosamente la cuchilla **11** con un solvente de resina.
2. Después de la limpieza, aplique una película ligera de lubricación a la cuchilla expuesta.
3. Gire la podadora vertical con las cuchillas hacia el suelo y haga funcionar la podadora durante unos segundos para dispersar completamente la lubricación.

Mantenimiento de cuchilla (Fig. M)

Las cuchillas de corte están hechas de acero endurecido de alta calidad y, con un uso normal, no requerirán un reafilado. Sin embargo, si golpea accidentalmente una cerca de alambre, piedras, vidrio u otros objetos duros como se muestra en la Figura M, puede poner un corte en la cuchilla. No es necesario quitar este corte siempre que no interfiera con el movimiento de la cuchilla. Si interfiere, quite la batería y use un lima de dientes finos o una piedra de afilar para quitar el corte. Si deja caer la recortadora, revise cuidadosamente para detectar daños. Si la cuchilla está doblada, el alojamiento está agrietado, las manijas rotas o si observa cualquier otra condición que pueda afectar la operación de la podadora, comuníquese con el centro de servicio autorizado DEWALT para realizar las reparaciones antes de volver a utilizarla.

Los fertilizantes y otros productos químicos para el jardín contienen agentes que aceleran en gran medida la corrosión de los metales. No guarde la unidad en o junto a fertilizantes o productos químicos.

Con la batería retirada, use sólo jabón suave y una tela húmeda para limpiar la unidad. Nunca permita que entre líquido a la unidad; nunca sumerja ninguna parte de la unidad en líquido. Evite que las cuchillas se oxiden aplicando una película de aceite de máquina ligero después de la limpieza.



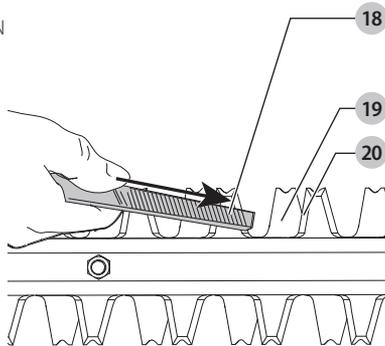
Afilado de cuchilla (Fig. N)

- Mantenga la cuchilla afilada para obtener el mejor desempeño. Una cuchilla sin filo no corta de forma limpia.
- Cuando afile la cuchilla, asegúrese que se retire la batería.
- Reemplace inmediatamente una cuchilla doblada o dañada.

Se recomienda que el afilado de las cuchillas lo realice un centro de servicio de fábrica DEWALT. Sin embargo, los bordes de la cuchilla pueden afilarse usando una lima fina **18**.

1. Opere la podadora hasta que las cuchillas de corte **19** estén compensadas.
2. Asegúrese que la palanca de bloqueo en apagado esté conectada, la cuchilla se haya detenido y la batería se haya retirado antes de afilar la cuchilla.
3. Use guantes y protección adecuada para los ojos y tenga cuidado de no cortarse.
4. Lime cuidadosamente los bordes de corte de la cuchilla con una lima de dientes finos. Lime hacia el filo **20** en el ángulo de corte original (38° desde la horizontal). Lime sólo los bordes de corte rectos **20** de las cuchillas. No lime donde el filo se curva en el centro de la cuchilla.
5. Voltee la podadora para afilar la cuchilla inferior.
6. Repita los pasos para afilar el lado opuesto de cada cuchilla.

Fig. N



Limpieza

- ADVERTENCIA:** *Sople la suciedad y el polvo de todos los conductos de ventilación con aire seco, al menos una vez por semana. Para reducir el riesgo de lesiones, utilice siempre protección para los ojos aprobada ANSI Z87.1 al realizar esta tarea.*
- ADVERTENCIA:** *Nunca utilice solventes ni otros químicos abrasivos para limpiar las piezas no metálicas de la herramienta. Estos productos químicos pueden debilitar los materiales plásticos utilizados en estas piezas. Utilice un paño humedecido sólo con agua y jabón neutro. Nunca permita que penetre líquido dentro de la herramienta ni sumerja ninguna de las piezas en un líquido.*

Accesorios

- ADVERTENCIA:** *Debido a que no se han probado con este producto otros accesorios que no sean los que ofrece DEWALT, el uso de dichos accesorios con esta herramienta podría ser peligroso. Para reducir el riesgo de lesiones, con este producto deben usarse sólo los accesorios recomendados por DEWALT.*

Los accesorios que se recomiendan para utilizar con la herramienta están disponibles a un costo adicional en su distribuidor local o en un centro de mantenimiento autorizado. Si necesita ayuda para localizar algún accesorio, póngase en contacto con DEWALT, llame al 1-800-4-DEWALT (1-800-433-9258) o visite nuestro sitio web: www.dewalt.com.

Reparaciones

El Cargador y las unidades de batería no pueden ser reparados. El cargador y la unidad de batería no contienen piezas reparables.

- ADVERTENCIA:** *Para asegurar la SEGURIDAD y la CONFIABILIDAD del producto, las reparaciones, el mantenimiento y los ajustes (inclusive la inspección y el cambio de las escobillas, cuando proceda) deben ser realizados en un centro de mantenimiento en la fábrica DEWALT u en un centro de mantenimiento autorizado DEWALT. Utilice siempre piezas de repuesto idénticas.*

ESPAÑOL

Para reparación y servicio de sus herramientas eléctricas, favor de dirigirse al Centro de Servicio más cercano

CULIACAN, SIN

Bld. Emiliano Zapata 5400-1 Poniente Col. (667) 717 89 99
San Rafael

GUADALAJARA, JAL

Av. La Paz #1779 - Col. Americana Sector (33) 3825 6978
Juárez

MEXICO, D.F.

Eje Central Lázaro Cárdenas No. 18 - Local (55) 5588 9377
D. Col. Obrera

MERIDA, YUC

Calle 63 #459-A - Col. Centro (999) 928 5038

MONTERREY, N.L.

Av. Francisco I. Madero 831 Poniente - Col. (818) 375 23 13
Centro

PUEBLA, PUE

17 Norte #205 - Col. Centro (222) 246 3714

QUERETARO, QRO

Av. San Roque 274 - Col. San Gregorio (442) 2 17 63 14

SAN LUIS POTOSI, SLP

Av. Universidad 1525 - Col. San Luis (444) 814 2383

TORREON, COAH

Bld. Independencia, 96 Pte. - Col. Centro (871) 716 5265

VERACRUZ, VER

Prolongación Díaz Mirón #4280 - Col. (229) 921 7016
Remes

VILLAHERMOSA, TAB

Constitución 516-A - Col. Centro (993) 312 5111

PARA OTRAS LOCALIDADES:

Si se encuentra en México, por favor llame al
(55) 5326 7100

Si se encuentra en U.S., por favor llame al
1-800-4-DEWALT (1-800-433-9258) 1-800-4-DEWALT
(1-800-433-9258) o visite nuestro sitio web: www.dewalt.com

Póliza de Garantía

IDENTIFICACIÓN DEL PRODUCTO:

Sello o firma del Distribuidor.

Nombre del producto: _____

Mod./Cat.: _____

Marca: _____

Núm. de serie: _____

(Datos para ser llenados por el distribuidor)

Fecha de compra y/o entrega del producto:

Nombre y domicilio del distribuidor donde se adquirió
el producto:

Este producto está garantizado por un año a partir de la fecha de entrega, contra cualquier defecto en su funcionamiento, así como en materiales y mano de obra empleados para su fabricación. Nuestra garantía incluye la reparación o reposición del producto y/o componentes sin cargo alguno para el cliente, incluyendo mano de obra, así como los gastos de transportación razonablemente erogados derivados del cumplimiento de este certificado.

Para hacer efectiva esta garantía deberá presentar su herramienta y esta póliza sellada por el establecimiento comercial donde se adquirió el producto, de no contar con ésta, bastará la factura de compra.

Excepciones

Esta garantía no será válida en los siguientes casos:

- Cuando el producto se hubiese utilizado en condiciones distintas a las normales;
- Cuando el producto no hubiese sido operado de acuerdo con el instructivo de uso que se acompaña;
- Cuando el producto hubiese sido alterado o reparado por personas distintas a las enlistadas al final de este certificado.

Anexo encontrará una relación de sucursales de servicio de fábrica, centros de servicio autorizados y franquiciados en la República Mexicana, donde podrá hacer efectiva su garantía y adquirir partes, refacciones y accesorios originales.

Solamente para propósito de México:

Importado por: DEWALT. Tool Co. S.A. de C.V.
Avenida Antonio Dovali Jaime, # 70 Torre B Piso 9
Colonia La Fe, Santa Fé
Código Postal : 01210
Delegación Alvaro Obregón
México D.F.
Tel. (52) 555-326-7100
R.F.C.: BDE810626-1W7

Registro en Línea

Gracias por su compra. Registre su producto ahora para:

- **SERVICIO EN GARANTÍA:** Si completa esta tarjeta, podrá obtener un servicio en garantía más eficiente, en caso de que exista un problema con su producto.
- **CONFIRMACIÓN DE PROPIEDAD:** En caso de una pérdida que cubra el seguro, como un incendio, una inundación o un robo, el registro de propiedad servirá como comprobante de compra.
- **PARA SU SEGURIDAD:** Si registra el producto, podremos comunicarnos con usted en el caso improbable que se deba enviar una notificación de seguridad conforme a la Federal Consumer Safety Act (Ley Federal de Seguridad de Productos para el Consumidor).
- Registro en línea en www.dewalt.com.

Garantía Limitada por Tres Años

DeWALT reparará o reemplazará, sin cargo, cualquier defecto debido a materiales o mano de obra defectuosos por tres años desde la fecha de compra (dos años para las baterías). Esta garantía no cubre falla de partes debido al desgaste normal o abuso de la herramienta. Para detalles adicionales de la cobertura de la garantía e información de reparación de garantía, visite www.dewalt.com o llame al 1-800-4-DeWALT (1-800-433-9258). Esta garantía no se aplica a accesorios o daño causado cuando otros hayan realizado o intentado reparaciones. ESTA GARANTÍA LIMITADA SE OTORGA EN LUGAR DE TODAS LAS DEMÁS, INCLUIDA LA GARANTÍA IMPLÍCITA DE COMERCIABILIDAD E IDONEIDAD PARA UN PROPÓSITO EN PARTICULAR, Y EXCLUYE TODOS LOS DAÑOS INCIDENTALES O EN CONSECUENCIA. Algunos estados no permiten limitaciones sobre la duración de una garantía implícita o la exclusión o limitación de daños incidentales o en consecuencia, por lo que estas limitaciones pueden no aplicarse en su caso. Esta garantía le da derechos legales específicos y puede tener otros derechos que varían en ciertos estados o provincias. Además de la garantía, las herramientas DeWALT están cubiertas por:

1 AÑO DE SERVICIO GRATUITO

DeWALT mantendrá la herramienta y reemplazará las piezas gastadas por su uso normal, sin cobro, en cualquier momento durante un año a contar de la fecha de compra

2 AÑOS DE SERVICIO GRATUITO PARA UNIDADES DE ALIMENTACIÓN DeWALT

DC9071, DC9091, DC9096, DC9182, DC9280, DC9360,
DCB120, DCB122, DCB124, DCB127, DCB201, DCB203BT,
DCB207, DCB361

3 AÑOS DE SERVICIO GRATUITO PARA UNIDADES DE ALIMENTACIÓN DeWALT

DCB200, DCB203, DCB204, DCB204BT, DCB205, DCB205BT,
DCB206, DCB230, DCB606, DCB609, DCB612

NOTA: La garantía del producto quedará nula si la unidad de batería ha sido alterada de cualquier manera. DeWALT no es responsable de ninguna lesión causada por alteraciones y podría iniciar un procedimiento judicial por fraude de garantía hasta el máximo grado permisible por la ley.

GARANTÍA DE REEMBOLSO DE SU DINERO POR 90 DÍAS

Si no está completamente satisfecho con el desempeño de su máquina herramienta o clavadora DeWALT, cualquiera sea el motivo, podrá devolverlo hasta 90 días de la fecha de compra con su recibo y obtener el reembolso completo de su dinero – sin necesidad de responder a ninguna pregunta.

AMÉRICA LATINA: Esta garantía no se aplica a los productos que se venden en América Latina. Para los productos que se venden en América Latina, debe consultar la información de la garantía específica del país que viene en el empaque, llamar a la compañía local o visitar el sitio Web a fin de obtener esa información.

REEMPLAZO GRATUITO DE LAS ETIQUETAS DE

ADVERTENCIAS: Si sus etiquetas de advertencia se vuelven ilegibles o faltan, llame al 1-800-4-DeWALT (1-800-433-9258) para que se le reemplacen gratuitamente.

**Compatible battery packs and chargers / Blocs-piles et chargeurs compatibles /
Baterías y cargadores compatibles**

20V Max* Li-Ion	Battery Packs Blocs-piles Baterías	DCB200, DCB201, DCB203, DCB204, DCB204BT**, DCB205, DCB205BT**, DCB206, DCB208, DCB230, DCB240
	Chargers Chargeurs Cargadores	DCB101, DCB103, DCB104, DCB107, DCB112, DCB113, DCB115, DCB118, DCB132

60V Max* Li-Ion	Battery Packs Blocs-piles Baterías	DCB606, DCB609, DCB612
	Chargers Chargeurs Cargadores	DCB101, DCB103, DCB104, DCB107, DCB112, DCB113, DCB115, DCB118, DCB132

* Maximum initial battery voltage (measured without a workload) is 12, 20, 60 or 120 volts. Nominal voltage is 10.8, 18, 54 or 108. (120V Max* is based on using 2 DEWALT 60V Max* lithium-ion batteries combined.)

* La tension initiale maximum du bloc-piles (mesurée à vide) est de 12, 20, 60 ou 120 volts. La tension nominale est de 10,8, 18, 54 ou 108. (120 V max* se base sur l'utilisation combinée de 2 blocs-piles au lithium ion DEWALT de 60 V max*).

* El máximo voltaje inicial de la batería (medido sin carga de trabajo) es 12, 20 o 60 voltios. El voltaje nominal es de 10,8, 18, 54 o 108 V. (120 V Máx* se basan en el uso de 2 baterías de iones de litio DEWALT de 60 V Máx* combinadas.)

**BT - Bluetooth®

NOTE: The Bluetooth® word mark and logos are registered trademarks owned by the Bluetooth®, SIG, Inc. and any use of such marks by DEWALT is under license. Other trademarks and trade names are those of their respective owners.

REMARQUE : le mot servant de marque et les logos Bluetooth® sont des marques déposées appartenant à Bluetooth SIG, Inc. et toute utilisation de ces marques par DEWALT est sous licence. Les autres marques de commerce et noms commerciaux sont ceux de leurs détenteurs respectifs.

NOTA: La palabra y los logotipos de Bluetooth® son marcas registradas propiedad de Bluetooth®, SIG, Inc. y DEWALT utiliza dichas marcas bajo licencia. Otras marcas comerciales y nombres comerciales pertenecen a sus respectivos propietarios.



WARNING: Use of any other battery packs may create a risk of injury and fire.



AVERTISSEMENT : utiliser d'autres blocs-piles peut créer un risque de blessure ou d'incendie.



ADVERTENCIA: El uso de cualquier otro paquete de batería puede crear un riesgo de lesiones e incendio.

DEWALT Industrial Tool Co. 701 East Joppa Road, Towson, MD 21286
Copyright © 2019

The following are trademarks for one or more DEWALT power tools: the yellow and black color scheme, the "D" shaped air intake grill, the array of pyramids on the handgrip, the kit box configuration, and the array of lozenge-shaped humps on the surface of the tool.