

DEWALT®



**Instruction Manual
Guide D'utilisation
Manual de instrucciones**

DCN693

20V Max* Metal Connector Nailer

Cloueuse à raccords métalliques 20 V Max*

Clavadora para conectores metálicos de 20 V Máx*

www.DEWALT.com





**If you have questions or comments, contact us.
Pour toute question ou tout commentaire, nous contacter.
Si tiene dudas o comentarios, contáctenos.**

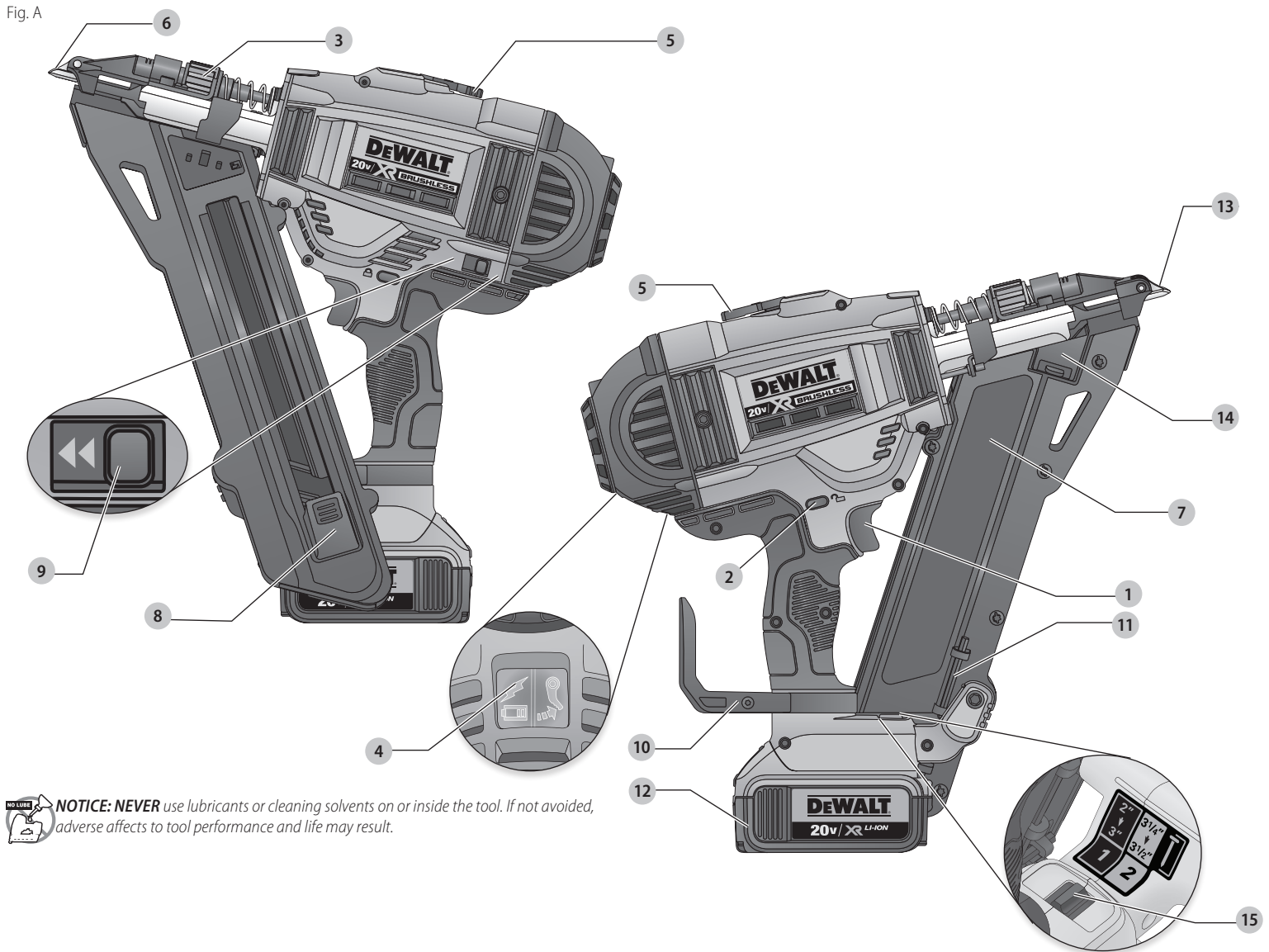
1-800-4-DEWALT


English (<i>original instructions</i>)	1
Français (<i>traduction de la notice d'instructions originale</i>)	12
Español (<i>traducido de las instrucciones originales</i>)	24

Definitions: Safety Alert Symbols and Words


This instruction manual uses the following safety alert symbols and words to alert you to hazardous situations and your risk of personal injury or property damage.


-  **DANGER:** Indicates an imminently hazardous situation which, if not avoided, **will** result in **death or serious injury**.
-  **WARNING:** Indicates a potentially hazardous situation which, if not avoided, **could** result in **death or serious injury**.
-  **CAUTION:** Indicates a potentially hazardous situation which, if not avoided, **may** result in **minor or moderate injury**.
-  (Used without word) Indicates a safety related message.
- NOTICE:** Indicates a practice **not related to personal injury** which, if not avoided, **may** result in **property damage**.



 **NOTICE: NEVER** use lubricants or cleaning solvents on or inside the tool. If not avoided, adverse affects to tool performance and life may result.

- | | |
|--|-------------------------------------|
| 1 Trigger | 9 Sequential and RapidCycle™ switch |
| 2 Trigger lock-off | 10 Rotating rafter/belt hook |
| 3 Depth adjustment wheel | 11 On-board hex wrench |
| 4 Low battery & jam/stall indicator lights | 12 Battery Pack |
| 5 Stall release lever | 13 Metal connector tip |
| 6 Contact trip | 14 Nail support lever |
| 7 Magazine | 15 Nail length selector switch |
| 8 Pusher latch | |

 **WARNING! Read all safety warnings and all instructions.** Failure to follow the warnings and instructions may result in electric shock, fire and/or serious injury.

 **WARNING:** To reduce the risk of injury, read the instruction manual.

If you have any questions or comments about this or any DeWALT tool, call us toll free at: 1-800-4-DeWALT (1-800-433-9258).

GENERAL POWER TOOL SAFETY WARNINGS

⚠ WARNING! Read all safety warnings and all instructions. Failure to follow the warnings and instructions may result in electric shock, fire and/or serious injury.

SAVE ALL WARNINGS AND INSTRUCTIONS FOR FUTURE REFERENCE

The term "power tool" in the warnings refers to your mains-operated (corded) power tool or battery-operated (cordless) power tool.

1) Work Area Safety

- Keep work area clean and well lit. Cluttered or dark areas invite accidents.
- Do not operate power tools in explosive atmospheres, such as in the presence of flammable liquids, gases or dust. Power tools create sparks which may ignite the dust or fumes.
- Keep children and bystanders away while operating a power tool. Distractions can cause you to lose control.

2) Electrical Safety

- Power tool plugs must match the outlet. Never modify the plug in any way. Do not use any adapter plugs with earthed (grounded) power tools. Unmodified plugs and matching outlets will reduce risk of electric shock.
- Avoid body contact with earthed or grounded surfaces such as pipes, radiators, ranges and refrigerators. There is an increased risk of electric shock if your body is earthed or grounded.
- Do not expose power tools to rain or wet conditions. Water entering a power tool will increase the risk of electric shock.
- Do not abuse the cord. Never use the cord for carrying, pulling or unplugging the power tool. Keep cord away from heat, oil, sharp edges or moving parts. Damaged or entangled cords increase the risk of electric shock.
- When operating a power tool outdoors, use an extension cord suitable for outdoor use. Use of a cord suitable for outdoor use reduces the risk of electric shock.
- If operating a power tool in a damp location is unavoidable, use a ground fault circuit interrupter (GFCI) protected supply. Use of a GFCI reduces the risk of electric shock.

3) Personal Safety

- Stay alert, watch what you are doing and use common sense when operating a power tool. Do not use a power tool while you are tired or under the influence of drugs, alcohol or medication. A moment of inattention while operating power tools may result in serious personal injury.
- Use personal protective equipment. Always wear eye protection. Protective equipment such as dust mask, non-skid safety shoes, hard hat, or hearing protection used for appropriate conditions will reduce personal injuries.
- Prevent unintentional starting. Ensure the switch is in the off position before connecting to power source and/or battery pack, picking up or carrying the tool. Carrying power tools with your finger on the switch or energizing power tools that have the switch on invites accidents.
- Remove any adjusting key or wrench before turning the power tool on. A wrench or key left attached to a rotating part of the power tool may result in personal injury.
- Do not overreach. Keep proper footing and balance at all times. This enables better control of the power tool in unexpected situations.
- Dress properly. Do not wear loose clothing or jewelry. Keep your hair, clothing and gloves away from moving parts. Loose clothes, jewelry or long hair can be caught in moving parts.
- If devices are provided for the connection of dust extraction and collection facilities, ensure these are connected and properly used. Use of dust collection can reduce dust-related hazards.

4) Power Tool Use and Care

- Do not force the power tool. Use the correct power tool for your application. The correct power tool will do the job better and safer at the rate for which it was designed.
- Do not use the power tool if the switch does not turn it on and off. Any power tool that cannot be controlled with the switch is dangerous and must be repaired.
- Disconnect the plug from the power source and/or the battery pack from the power tool before making any adjustments, changing accessories, or storing power tools. Such preventive safety measures reduce the risk of starting the power tool accidentally.
- Store idle power tools out of the reach of children and do not allow persons unfamiliar with the power tool or these instructions to operate the power tool. Power tools are dangerous in the hands of untrained users.
- Maintain power tools. Check for misalignment or binding of moving parts, breakage of parts and any other condition that may affect the power tool's operation. If damaged, have the power tool repaired before use. Many accidents are caused by poorly maintained power tools.
- Keep cutting tools sharp and clean. Properly maintained cutting tools with sharp cutting edges are less likely to bind and are easier to control.

- Use the power tool, accessories and tool bits, etc. in accordance with these instructions, taking into account the working conditions and the work to be performed. Use of the power tool for operations different from those intended could result in a hazardous situation.

5) Battery Tool Use and Care

- Recharge only with the charger specified by the manufacturer. A charger that is suitable for one type of battery pack may create a risk of fire when used with another battery pack.
- Use power tools only with specifically designated battery packs. Use of any other battery packs may create a risk of injury and fire.
- When battery pack is not in use, keep it away from other metal objects, like paper clips, coins, keys, nails, screws, or other small metal objects, that can make a connection from one terminal to another. Shorting the battery terminals together may cause burns or a fire.
- Under abusive conditions, liquid may be ejected from the battery; avoid contact. If contact accidentally occurs, flush with water. If liquid contacts eyes, additionally seek medical help. Liquid ejected from the battery may cause irritation or burns.

6) Service

- Have your power tool serviced by a qualified repair person using only identical replacement parts. This will ensure that the safety of the power tool is maintained.

Nailer Safety Warnings

- Always assume that the tool contains fasteners. Careless handling of the nailer can result in unexpected firing of fasteners and personal injury.
- Do not point the tool towards yourself or anyone nearby. Unexpected triggering will discharge a fastener causing an injury.
- Do not actuate the tool unless the tool is placed firmly against the workpiece. If the tool is not in contact with the workpiece, the fastener may be deflected away from your target.
- Disconnect the tool from the power source when the fastener jams in the tool. While removing a jammed fastener, the tool may be accidentally activated if it is connected to a power source.
- Do not use this nailer for fastening electrical cables. It is not designed for electric cable installation and may damage the insulation of electric cables thereby causing electric shock or fire hazards.

Additional Nailer Safety Warnings

- ⚠ WARNING:** When using any nailer, all safety precautions, as outlined below, should be followed to avoid the risk of death or serious injury. Read and understand all instructions before operating the tool.
- Hold tool by insulated gripping surfaces when performing an operation where the nailer may contact hidden wiring. Contact with a "live" wire will make exposed metal parts of the tool "live" and shock the operator.
 - Actuating tool may result in flying debris, collation material, or dust which could harm operator's eyes. Operator and others in work area MUST wear safety glasses with side shields. These safety glasses must conform to ANSI Z87.1 requirements (approved glasses have "Z87" printed or stamped on them. It is the employer's responsibility to enforce the use of eye protection equipment by the tool operator and other people in the work area.
 - Always wear appropriate personal hearing and other protection during use. Under some conditions and duration of use, noise from this product may contribute to hearing loss.
 - Disconnect battery pack from the tool when not in use. Always remove battery pack and remove fasteners from magazine before leaving the area or passing the tool to another operator. Do not carry tool to another work area in which changing location involves the use of scaffoldings, stairs, ladders, and the like, with battery pack connected. Do not make adjustments, perform maintenance or clear jammed fasteners while battery is in place.
 - Do not remove, tamper with, or otherwise cause the tool, trigger or trigger lock-off, to become inoperable. Do not tape or tie trigger in the On position. Do not remove spring from contact trip. Make daily inspections for free movement of trigger. Uncontrolled discharge could result.
 - Inspect tool before use. Do not operate a tool if any portion of the tool, trigger, or trigger lock-off is inoperable, disconnected, altered, or not working properly. Damaged parts or missing parts should be repaired or replaced before use. Refer to Repairs.
 - Do not alter or modify the tool in any way.
 - Always assume that the tool contains fasteners.
 - Do not point the tool at co-workers or yourself at any time. No horseplay! Work safe! Respect the tool as a working implement.
 - Keep bystanders, children, and visitors away while operating a power tool. Distractions can cause you to lose control. When tool is not in use, it should be locked in a safe place, out of the reach of children.
 - Always use trigger lock-off when tool is not in immediate use. Using the trigger lock-off will prevent accidental discharge.
 - Do not overreach. Maintain proper footing and balance at all times. Loss of balance may cause personal injury.

- **Use the tool only for its intended use. Do not discharge fasteners into open air, concrete, stone, extremely hard woods, knots or any material too hard for the fastener to penetrate.** Do not use the body of the tool or top cap as a hammer. Discharged fastener may follow unexpected path and cause injury.
- **Always keep fingers clear of contact trip to prevent injury from inadvertent release of the pusher.**
- **Refer to the Maintenance and Repairs sections for detailed information on the proper maintenance of the tool.**
- **Always operate the tool in a clean, lighted area.** Be sure the work surface is clear of any debris and be careful not to lose footing when working in elevated environments such as rooftops.
- **Do not drive fastener near edge of material.** The workpiece may split causing the nail to ricochet, injuring you or a co-worker. Be aware that the fastener may follow the grain of the wood (shiner), causing it to protrude unexpectedly from the side of the work material. Drive the chisel point of the fastener perpendicular to the grain to reduce risk of injury.
- **Fasteners must be driven straight into the material. Do not tilt nailer while driving fasteners.** Personal injury from strong recoil jammed nails, or ricocheted nails may result.
- **Keep hands and body parts clear of immediate work area.** Hold workpiece with clamps when necessary to keep hands and body out of potential harm. Be sure the workpiece is properly secured before pressing the nailer against the material. The contact trip may cause the work material to shift unexpectedly.

WARNING: Keep hands away from area in front of tool.

- **Do not use tool in the presence of flammable dust, gases or fumes.** The tool may produce a spark that could ignite gases causing a fire. Driving a nail into another nail may also cause a spark.
- **Keep face and body parts away from back of the tool cap when working in restricted areas.** Sudden recoil can result in impact to the body, especially when nailing into hard or dense material.
- **Grip tool firmly to maintain control while allowing tool to recoil away from work surface as fastener is driven.**
- **Be aware of material thickness when using nailer.** A protruding nail may cause injury.
- **DEPTH ADJUSTMENT: To reduce risk of serious injury from accidental actuation when attempting to adjust depth, ALWAYS;**
 - Remove battery pack.
 - Engage trigger lock-off.
 - Avoid contact with trigger during adjustments.
- **Do not drive nails blindly into walls, floors or other work areas.** Fasteners driven into live electrical wires, plumbing, or other types of obstructions can result in injury.
- **Stay alert, watch what you are doing and use common sense when operating a power tool. Do not use tool while tired or under the influence of drugs, alcohol, or medication.** A moment of inattention while operating power tools may result in serious personal injury.

WARNING: If the tool has been dropped or you suspect tool damage, perform tool operation check as defined in the mode selection section of the manual. If it doesn't perform according to the manual, stop using the tool and have it serviced at an Authorized DeWALT Service Center.

Additional Safety Information

WARNING: ALWAYS use safety glasses. Everyday eyeglasses are NOT safety glasses. Also use face or dust mask if cutting operation is dusty. ALWAYS WEAR CERTIFIED SAFETY EQUIPMENT:

- ANSI Z87.1 eye protection (CAN/CSA Z94.3),
- ANSI S12.6 (S3.19) hearing protection,
- NIOSH/OSHA/MSHA respiratory protection.

WARNING: Some dust created by power sanding, sawing, grinding, drilling, and other construction activities contains chemicals known to the State of California to cause cancer, birth defects or other reproductive harm. Some examples of these chemicals are:

- lead from lead-based paints,
- crystalline silica from bricks and cement and other masonry products, and
- arsenic and chromium from chemically-treated lumber.

Your risk from these exposures varies, depending on how often you do this type of work. To reduce your exposure to these chemicals: work in a well ventilated area, and work with approved safety equipment, such as those dust masks that are specially designed to filter out microscopic particles.




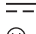
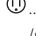







- **Avoid prolonged contact with dust from power sanding, sawing, grinding, drilling, and other construction activities. Wear protective clothing and wash exposed areas with soap and water.** Allowing dust to get into your mouth, eyes, or lay on the skin may promote absorption of harmful chemicals.

WARNING: Use of this tool can generate and/or disperse dust, which may cause serious and permanent respiratory or other injury. Always use NIOSH/OSHA approved respiratory protection appropriate for the dust exposure. Direct particles away from face and body.

CAUTION: When not in use, place tool on its side on a stable surface where it will not cause a tripping or falling hazard. Some tools with large battery packs will stand upright on the battery pack but may be easily knocked over.

- **Air vents often cover moving parts and should be avoided.** Loose clothes, jewelry or long hair can be caught in moving parts.

The label on your tool may include the following symbols. The symbols and their definitions are as follows:

V	volts		or AC.....	alternating current
Hz	hertz		or AC/DC.....	alternating or direct current
min	minutes		Class II Construction (double insulated)
	or DC.....	n ₀	no load speed
	n	rated speed
.../min.....	per minute		earthing terminal
BPM.....	beats per minute		safety alert symbol
IPM.....	impacts per minute		visible radiation
RPM.....	revolutions per minute		wear respiratory protection
sfpm	surface feet per minute		wear eye protection
SPM.....	strokes per minute		wear hearing protection
A	amperes		read all documentation
W.....	watts			

BATTERIES AND CHARGERS

The battery pack is not fully charged out of the carton. Before using the battery pack and charger, read the safety instructions below and then follow charging procedures outlined. When ordering replacement battery packs, be sure to include the catalog number and voltage.

Your tool uses a DeWALT charger. Be sure to read all safety instructions before using your charger. Consult the chart at the end of this manual for compatibility of chargers and battery packs.

READ ALL INSTRUCTIONS

Important Safety Instructions for All Battery Packs

- **WARNING:** Read all safety warnings and all instructions for the battery pack, charger and power tool. Failure to follow the warnings and instructions may result in electric shock, fire and/or serious injury.
- **Do not charge or use the battery pack in explosive atmospheres, such as in the presence of flammable liquids, gases or dust.** Inserting or removing the battery pack from the charger may ignite the dust or fumes.
- **NEVER force the battery pack into the charger. DO NOT modify the battery pack in any way to fit into a non-compatible charger as battery pack may rupture causing serious personal injury.** Consult the chart at the end of this manual for compatibility of batteries and chargers.
- Charge the battery packs only in designated DeWALT chargers.
- **DO NOT splash or immerse in water or other liquids.**
- **Do not store or use the tool and battery pack in locations where the temperature may reach or exceed 104 °F (40 °C) (such as outside sheds or metal buildings in summer).** For best life store battery packs in a cool, dry location.
NOTE: Do not store the battery packs in a tool with the trigger switch locked on. Never tape the trigger switch in the ON position.
- **Do not incinerate the battery pack even if it is severely damaged or is completely worn out.** The battery pack can explode in a fire. Toxic fumes and materials are created when lithium ion battery packs are burned.
- **If battery contents come into contact with the skin, immediately wash area with mild soap and water.** If battery liquid gets into the eye, rinse water over the open eye for 15 minutes or until irritation ceases. If medical attention is needed, the battery electrolyte is composed of a mixture of liquid organic carbonates and lithium salts.
- **Contents of opened battery cells may cause respiratory irritation.** Provide fresh air. If symptoms persist, seek medical attention.

WARNING: Burn hazard. Battery liquid may be flammable if exposed to spark or flame.

WARNING: Fire hazard. Never attempt to open the battery pack for any reason. If the battery pack case is cracked or damaged, do not insert into the charger. Do not crush, drop or damage the battery pack. Do not use a battery pack or charger that has received a sharp blow, been dropped, run over or damaged in any way (e.g., pierced with a nail, hit with a hammer, stepped on). Damaged battery packs should be returned to the service center for recycling.

Transportation

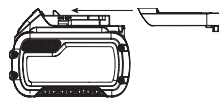
WARNING: Fire hazard. Do not store or carry the battery pack so that metal objects can contact exposed battery terminals. For example, do not place the battery pack in aprons, pockets, tool boxes, product kit boxes, drawers, etc., with loose nails, screws, keys, etc. **Transporting batteries can possibly cause fires if the battery terminals inadvertently come in contact with conductive materials such as keys, coins, hand tools and the like.** The US Department of Transportation Hazardous Material Regulations (HMR) actually prohibit transporting batteries in commerce or on airplanes in carry-on baggage UNLESS they are properly protected from short circuits. So when transporting individual battery packs, make sure that the battery terminals are protected and well insulated from materials that could contact them and cause a short circuit.

Shipping the DeWALT FLEXVOLT™ Battery

The DeWALT FLEXVOLT™ battery has two modes: **Use** and **Shipping**.

Use Mode: When the FLEXVOLT™ battery stands alone or is in a DeWALT 20V Max* product, it will operate as a 20V Max* battery. When the FLEXVOLT™ battery is in a 60V Max* or a 120V Max* (two 60V Max* batteries) product, it will operate as a 60V Max* battery.

Shipping Mode: When the cap is attached to the FLEXVOLT™ battery, the battery is in Shipping Mode. Strings of cells are electrically disconnected within the pack resulting in three batteries with a lower Watt hour (Wh) rating as compared to one battery with a higher Watt hour rating. This increased quantity of three batteries with the lower Watt hour rating can exempt the pack from certain shipping regulations that are imposed upon the higher Watt hour batteries.



The battery label indicates two Watt hour ratings (see example). Depending on how the battery is shipped, the appropriate Watt hour rating must be used to determine the applicable shipping requirements. If utilizing the shipping cap, the pack will be considered 3 batteries at the Watt hour rating indicated for "Shipping". If shipping without the cap or in a tool, the pack will be considered one battery at the Watt hour rating indicated next to "Use".

Example of Use and Shipping Label Marking

USE: 120 Wh Shipping: 3 x 40 Wh

For example, Shipping Wh rating might indicate 3 x 40 Wh, meaning 3 batteries of 40 Watt hours each. The Use Wh rating might indicate 120 Wh (1 battery implied).

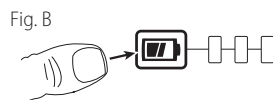
Fuel Gauge Battery Packs (Fig. B)

Some DeWALT battery packs include a fuel gauge which consists of three green LED lights that indicate the level of charge remaining in the battery pack.

The fuel gauge is an indication of approximate levels of charge remaining in the battery pack according to the following indicators:



To actuate the fuel gauge, press and hold the fuel gauge button. A combination of the three green LED lights will illuminate designating the level of charge left. When the level of charge in the battery is below the usable limit, the fuel gauge will not illuminate and the battery will need to be recharged.



NOTE: The fuel gauge is only an indication of the charge left on the battery pack. It does not indicate tool functionality and is subject to variation based on product components, temperature and end-user application.

For more information regarding fuel gauge battery packs, please contact call 1-800-4-DeWALT (1-800-433-9258) or visit our website www.DeWALT.com.

The RBRC® Seal

The RBRC® (Rechargeable Battery Recycling Corporation) Seal on the nickel cadmium, nickel metal hydride or lithium-ion batteries (or battery packs) indicates that the costs to recycle these batteries (or battery packs) at the end of their useful life have already been paid by DeWALT. In some areas, it is illegal to place spent nickel cadmium, nickel metal hydride or lithium-ion batteries in the trash or municipal solid waste stream and the Call 2 Recycle® program provides an environmentally conscious alternative.



Call 2 Recycle, Inc., in cooperation with DeWALT and other battery users, has established the program in the United States and Canada to facilitate the collection of spent nickel cadmium, nickel metal hydride or lithium-ion batteries. Help protect our environment and conserve natural resources by returning the spent nickel cadmium, nickel metal hydride or lithium-ion batteries to an authorized DeWALT service center or to your local retailer for recycling. You may also contact your local recycling center for information on where to drop off the spent battery. RBRC® is a registered trademark of Call 2 Recycle, Inc.

Important Safety Instructions for All Battery Chargers

WARNING: Read all safety warnings and all instructions for the battery pack, charger and power tool. Failure to follow the warnings and instructions may result in electric shock, fire and/or serious injury.

- **DO NOT attempt to charge the battery pack with any chargers other than the ones in this manual.** The charger and battery pack are specifically designed to work together.
- **These chargers are not intended for any uses other than charging DeWALT rechargeable batteries.** Any other uses may result in risk of fire, electric shock or electrocution.
- **Do not expose the charger to rain or snow.**

- **Pull by the plug rather than the cord when disconnecting the charger.** This will reduce the risk of damage to the electric plug and cord.
- **Make sure that the cord is located so that it will not be stepped on, tripped over or otherwise subjected to damage or stress.**
- **Do not use an extension cord unless it is absolutely necessary.** Use of improper extension cord could result in risk of fire, electric shock or electrocution.
- **When operating a charger outdoors, always provide a dry location and use an extension cord suitable for outdoor use.** Use of a cord suitable for outdoor use reduces the risk of electric shock.
- **An extension cord must have adequate wire size (AWG or American Wire Gauge) for safety.** The smaller the gauge number of the wire, the greater the capacity of the cable, that is, 16 gauge has more capacity than 18 gauge. An undersized cord will cause a drop in line voltage resulting in loss of power and overheating. When using more than one extension to make up the total length, be sure each individual extension contains at least the minimum wire size. The following table shows the correct size to use depending on cord length and nameplate ampere rating. If in doubt, use the next heavier gauge. The lower the gauge number, the heavier the cord.

Minimum Gauge for Cord Sets

Volts	Total Length of Cord in Feet (meters)				
	120 V	25 (7.6)	50 (15.2)	100 (30.5)	150 (45.7)
240 V	50 (15.2)	100 (30.5)	200 (61.0)	300 (91.4)	
Ampere Rating		American Wire Gauge			
More Than	Not More Than				
0	6	18	16	16	14
6	10	18	16	14	12
10	12	16	16	14	12
12	16	14	12	Not Recommended	

- **Do not place any object on top of the charger or place the charger on a soft surface that might block the ventilation slots and result in excessive internal heat.** Place the charger in a position away from any heat source. The charger is ventilated through slots in the top and the bottom of the housing.
- **Do not operate the charger with a damaged cord or plug.**
- **Do not operate the charger if it has received a sharp blow, been dropped or otherwise damaged in any way.** Take it to an authorized service center.
- **Do not disassemble the charger; take it to an authorized service center when service or repair is required.** Incorrect reassembly may result in a risk of electric shock, electrocution or fire.
- **Disconnect the charger from the outlet before attempting any cleaning.** This will reduce the risk of electric shock. Removing the battery pack will not reduce this risk.
- **NEVER attempt to connect 2 chargers together.**
- **The charger is designed to operate on standard 120V household electrical power. Do not attempt to use it on any other voltage.** This does not apply to the vehicular charger.

WARNING: Shock hazard. Do not allow any liquid to get inside the charger. Electric shock may result.

WARNING: Burn hazard. Do not submerge the battery pack in any liquid or allow any liquid to enter the battery pack. Never attempt to open the battery pack for any reason. If the plastic housing of the battery pack breaks or cracks, return to a service center for recycling.

CAUTION: Burn hazard. To reduce the risk of injury, charge only DeWALT rechargeable battery packs. Other types of batteries may overheat and burst resulting in personal injury and property damage.

NOTICE: Under certain conditions, with the charger plugged into the power supply, the charger can be shorted by foreign material. Foreign materials of a conductive nature, such as, but not limited to, grinding dust, metal chips, steel wool, aluminum foil or any buildup of metallic particles should be kept away from the charger cavities. Always unplug the charger from the power supply when there is no battery pack in the cavity. Unplug the charger before attempting to clean.

Wireless Certifications and Safety Information

- This device is CAN ICES-3(B)/NMB-3(B) compliant.
- This device complies with Part 15 of the FCC rules and Industry Canada License-exempt RSS standard(s). Operation is subject to the following two conditions:
 - This device may not cause harmful interference, and
 - This device must accept any interference received, including interference that may cause undesired operation.

This equipment has been tested and found to comply with the limits for a Class B digital device, pursuant to Part 15 of the FCC Rules. These limits are designed to provide reasonable protection against harmful interference in a residential installation. This equipment generates, uses and can radiate radio frequency energy and, if not installed and used in accordance with the instructions, may cause harmful interference to radio communications. However, there is no guarantee that interference will not occur in a particular installation. If this equipment does cause harmful interference to radio or television reception, which can be determined by turning the equipment off and on, the user is encouraged to try to correct the interference by one or more of the following measures:

- Reorient or relocate the receiving antenna.
 - Increase the separation between the equipment and adaptor.
 - Connect the equipment into an outlet on a circuit different from that to which the adaptor is connected.
 - Consult the dealer or an experienced radio/TV technician for help.
- Changes or modifications to this equipment not expressly approved by the manufacturer could void the user's authority to operate the device. This Class B digital apparatus complies with Canadian ICES-003.
 - Under Industry Canada regulations, this radio transmitter may only operate using an antenna of a type and maximum (or lesser) gain approved for the transmitter by Industry Canada. To reduce potential radio interference to other users, the antenna type and its gain should be so chosen that the equivalent isotropically radiated power (e.i.r.p.) is not more than that necessary for successful communication.
 - To comply with FCC and Industry Canada RF radiation exposure limits for general population, the antenna used for this device must not be co-located or operating in conjunction with any other antenna or transmitter.

For Bluetooth® Products

- When traveling on airlines, be sure to comply with the airline restrictions on usage of personal electronic devices and Bluetooth®.
- The out of range alert feature has been designed to act as an aid to warn against products getting misplaced or stolen. It is not a security system.
- The connectivity range is up to 100 feet (30.5 meters) depending on environment and location.
- The shortwave radio frequency signals of a Bluetooth® device may impair the operation of other electronic and medical devices (such as pacemakers or hearing aids).

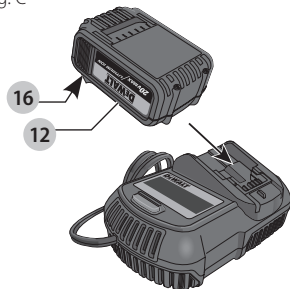
NOTE: The Bluetooth® word mark and logos are registered trademarks owned by the Bluetooth®, SIG, Inc. and any use of such marks by DeWALT is under license. Other trademarks and trade names are those of their respective owners.

This product complies with these standards when operated with a 6 foot (1.8 meters) or shorter extension cord.

Charging a Battery (Fig. C)

1. Plug the charger into an appropriate outlet before inserting battery pack.

Fig. C



2. Insert the battery pack **12** into the charger, making sure the battery pack is fully seated in the charger. The red (charging) light will blink continuously indicating that the charging process has started.
3. The completion of charge will be indicated by the red light remaining ON continuously. The battery pack is fully charged and may be used at this time or left in the charger. To remove the battery pack from the charger, push the battery release button **16** on the battery pack.

NOTE: To ensure maximum performance and life of lithium-ion battery packs, charge the battery pack fully before first use.

Charger Operation

Refer to the indicators below for the charge status of the battery pack.

DCB107, DCB112, DCB113, DCB115, DCB118, DCB132	
	Charging
	Fully Charged
	Hot/Cold Pack Delay*

***DCB107, DCB112, DCB113, DCB115, DCB118, DCB132:** The red light will continue to blink, but a yellow indicator light will be illuminated during this operation. Once the battery pack has reached an appropriate temperature, the yellow light will turn off and the charger will resume the charging procedure.

The compatible charger(s) will not charge a faulty battery pack. The charger will indicate faulty battery pack by refusing to light or by displaying a problem pack or charger blink pattern.

NOTE: This could also mean a problem with a charger.

If the charger indicates a problem, take the charger and battery pack to be tested at an authorized service center.

Hot/Cold Pack Delay

When the charger detects a battery pack that is too hot or too cold, it automatically starts a Hot/Cold Pack Delay, suspending charging until the battery pack has reached an appropriate

temperature. The charger then automatically switches to the pack charging mode. This feature ensures maximum battery pack life.

A cold battery pack will charge at a slower rate than a warm battery pack. The battery pack will charge at that slower rate throughout the entire charging cycle and will not return to maximum charge rate even if the battery pack warms.

The DCB118 charger is equipped with an internal fan designed to cool the battery pack. The fan will turn on automatically when the battery pack needs to be cooled.

Never operate the charger if the fan does not operate properly or if ventilation slots are blocked. Do not permit foreign objects to enter the interior of the charger.

Electronic Protection System

Li-Ion tools are designed with an Electronic Protection System that will protect the battery pack against overloading, overheating or deep discharge.

The tool will automatically turn off if the Electronic Protection System engages. If this occurs, place the lithium-ion battery pack on the charger until it is fully charged.

Wall Mounting

DCB107, DCB112, DCB113, DCB115, DCB118, DCB132

These chargers are designed to be wall mountable or to sit upright on a table or work surface. If wall mounting, locate the charger within reach of an electrical outlet, and away from a corner or other obstructions which may impede air flow. Use the back of the charger as a template for the location of the mounting screws on the wall. Mount the charger securely using drywall screws (purchased separately) at least 1" (25.4 mm) long, with a screw head diameter of 0.28–0.35" (7–9 mm), screwed into wood to an optimal depth leaving approximately 7/32" (5.5 mm) of the screw exposed. Align the slots on the back of the charger with the exposed screws and fully engage them in the slots.

Charger Cleaning Instructions

WARNING: Shock hazard. Disconnect the charger from the AC outlet before cleaning. Dirt and grease may be removed from the exterior of the charger using a cloth or soft non-metallic brush. Do not use water or any cleaning solutions.

Important Charging Notes

1. Longest life and best performance can be obtained if the battery pack is charged when the air temperature is between 65 °F and 75 °F (18 °–24 °C). DO NOT charge the battery pack in an air temperature below +40 °F (+4.5 °C), or above +104 °F (+40 °C). This is important and will prevent serious damage to the battery pack.
2. The charger and battery pack may become warm to the touch while charging. This is a normal condition, and does not indicate a problem. To facilitate the cooling of the battery pack after use, avoid placing the charger or battery pack in a warm environment such as in a metal shed or an uninsulated trailer.
3. If the battery pack does not charge properly:
 - a. Check operation of receptacle by plugging in a lamp or other appliance;
 - b. Check to see if receptacle is connected to a light switch which turns power off when you turn out the lights;
 - c. Move the charger and battery pack to a location where the surrounding air temperature is approximately 65 °F – 75 °F (18 °–24 °C);
 - d. If charging problems persist, take the tool, battery pack and charger to your local service center.
4. The battery pack should be recharged when it fails to produce sufficient power on jobs which were easily done previously. DO NOT CONTINUE to use under these conditions. Follow the charging procedure. You may also charge a partially used pack whenever you desire with no adverse effect on the battery pack.
5. Foreign materials of a conductive nature such as, but not limited to, grinding dust, metal chips, steel wool, aluminum foil, or any buildup of metallic particles should be kept away from charger cavities. Always unplug the charger from the power supply when there is no battery pack in the cavity. Unplug the charger before attempting to clean.
6. Do not freeze or immerse the charger in water or any other liquid.

Storage Recommendations

1. The best storage place is one that is cool and dry, away from direct sunlight and excess heat or cold.
2. For long storage, it is recommended to store a fully charged battery pack in a cool dry place out of the charger for optimal results.

NOTE: Battery packs should not be stored completely depleted of charge. The battery pack will need to be recharged before use.

SAVE THESE INSTRUCTIONS FOR FUTURE USE

COMPONENTS (FIG. A)

WARNING: Never modify the power tool or any part of it. Damage or personal injury could result.

Refer to Figure A at the beginning of this manual for a complete list of components.

Tool Specifications	
Firing Mode	Sequential or RapidCycle™
Voltage	20
Height	13.5" (346 mm)
Width	4" (104 mm)
Length	13.25" (335 mm)
Weight	8.0 lbs. (3.629 kg)
Magazine Angle	33°
Loading Capacity	Up to 29 nails
Nail Specifications	
Nail Lengths	1 1/2" – 2 1/2" (38.1 mm – 63.5 mm)
Shank Diameters	.131 – .162 (3.3 mm – 4.1 mm)
Nail Stick Angles	30° – 35°

Intended Use

The DCN693 metal connector nailer is intended **ONLY** for use in securing metal hardware to wood construction materials. This tool has two operating modes, a sequential operating mode and a unique rapid sequential operating mode (RapidCycle™). Read the section of the manual **Selecting the Mode** before using the tool to make sure you are selecting the proper mode for your application.

WARNING: Use only metal connector fasteners with this tool, other types of fasteners can damage the connector plate or deflect causing injury.

DO NOT use under wet conditions or in presence of flammable liquids or gases.

Only fasteners recommended by the metal connector hardware manufacturer and meeting applicable building code requirements must be used in this tool to install connectors.

This tool is intended for use by construction professionals. **DO NOT** let children come into contact with the tool. Supervision is required when inexperienced operators use this tool.

Dry Fire Lock out

The nailer is equipped with a dry fire lockout which prevents the tool from actuating when the magazine is nearly empty. When approximately 7 to 9 nails remain in the magazine, the tool ceases to operate. Refer to **Loading the Tool** to reload a stick of collated nails.

OPERATION

WARNING: Read the section titled **Nailer Safety Warnings** at the beginning of this manual. Always wear eye and ear protection when operating this tool. Keep the nailer pointed away from yourself and others. For safe operation, complete the following procedures and checks before each use of the nailer.

- Wear proper eye, hearing and respiratory protection.
- Remove battery pack from tool.
- Lock the pusher in the back position and remove all nail strips from the magazine.
- Check for smooth and proper operation of contact trip and pusher assemblies. Do not use tool if either assembly is not functioning properly. **NEVER** use a tool that has the contact trip restrained in the up position.
- **NEVER** use a tool that has damaged parts.

WARNING: To reduce the risk of personal injury, disconnect battery pack from tool before performing maintenance, clearing a jammed nails, leaving work area, moving tool to another location or handing the tool to another person.

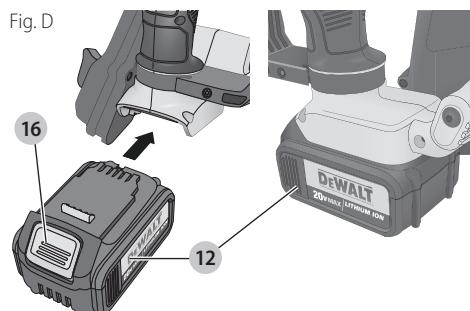
WARNING: If the tool has been dropped or you suspect tool damage perform tool operation check as defined in the mode selection section of the manual. If it doesn't perform according to the manual, stop using the tool and have it serviced at an Authorized DeWALT Service Center.

Installing and Removing the Battery Pack (Fig. D)

NOTE: For best results, make sure your battery pack is fully charged.

To install the battery pack **12** into the tool handle, align the battery pack with the rails inside the tool's handle and slide it into the handle until the battery pack is firmly seated in the tool and ensure that it does not disengage.

To remove the battery pack from the tool, press the release button **16** and firmly pull the battery pack out of the tool handle. Insert it into the charger as described in the charger section of this manual.



NOTICE: Do not store tool with battery pack installed. To prevent damage to the pack and to ensure best battery life, store battery packs out of the tool or charger in a cool, dry location.

Preparing the Tool

NOTICE: **NEVER** spray or in any other way apply lubricants or cleaning solvents inside the tool. This can seriously affect the life and performance of the tool.

NOTE: The battery pack is not fully charged out of the carton. Follow instructions outlined (refer to **Charging a Battery**).

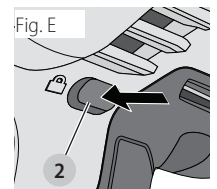
1. Read the **Nailer Safety Warnings** section of this manual.
2. Wear eye and ear protection.
3. Remove battery from tool.
4. Ensure magazine is empty of all fasteners.
5. **Check for smooth and proper operation of contact trip and pusher assemblies. Do not use tool if either assembly is not functioning properly. NEVER** use a tool that has the contact trip restrained in the actuated position.
6. Keep tool pointed away from yourself and others.
7. Insert fully charged battery pack.

Using the Trigger Lock-off (Fig. E)

WARNING: To reduce the risk of serious personal injury, do not keep trigger depressed when tool is not in use. Keep the trigger lock-off switch **LOCKED** (Fig. E) when the tool is not in use.

WARNING: To reduce the risk of serious personal injury, lock off trigger, disconnect battery pack from tool and remove nails from magazine before making adjustments.

Each DeWALT nailer is equipped with a trigger lock-off **2** which when pushed to the right as shown in Figure E, prevents the tool from firing a nail by locking the trigger and bypassing power to the motor. When the trigger lock-off is pressed to the left, the tool will be fully operational. The trigger lock-off should always be locked off (Fig. E) whenever any adjustments are made or when tool is not in immediate use.



NOTICE: Do not store tool with battery pack installed. To prevent damage to the pack and to ensure best battery life, store battery packs out of the tool or charger in a cool, dry location.

Loading the Tool (Fig. A, F)

WARNING: Keep the tool pointed away from yourself and others.

WARNING: Never load nails with the contact trip or trigger activated.

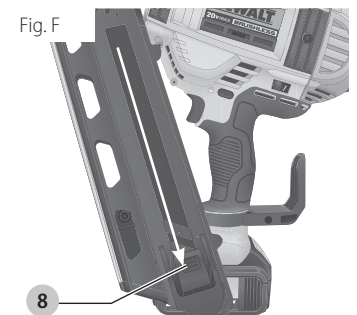
WARNING: Always remove battery pack before loading or unloading nails.

CAUTION: Keep fingers clear of pusher latch track to prevent injury.

WARNING: The trigger lock-off should always be engaged whenever any adjustments are made or when tool is not in use.

WARNING: Fasteners used to install metal connectors must meet the requirements of the applicable building codes and must be installed in compliance with code requirements and metal connector hardware supplier specifications. Failure to properly install connectors may result in structural failures.

1. Turn the nailer upside down.
2. Slide the spring-loaded pusher latch **8** to the base of the magazine to lock it into place.
3. Drop nail strips into the loading slot of the magazine, making sure the nail heads align correctly with the slot opening. (Refer to **Nail Specifications** to determine compatible size.)
4. Keeping fingers clear of the track, close the magazine by releasing the pusher latch. Carefully allow the latch to slide forward and engage the nail strip.



Unloading the Tool

WARNING: The trigger lock-off should always be locked off whenever any adjustments are made or when tool is not in use.

1. Slide the spring-loaded pusher latch to the base of the magazine to lock it into place.
2. Tip the tool up until the fastener strip slides freely out of the magazine.
NOTE: If nails don't release press the nail support lever **14**.
3. With battery removed, check the nosepiece to verify there are no nails remaining.

NOTE: The tool is equipped with a magnet in the nose area for improved tool performance. When unloading, always verify that the small sticks of nails are not held to the magnetized nose piece.

Nail Length Setting (Fig. G)

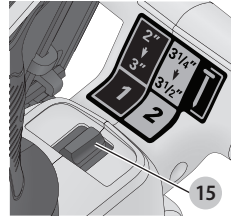
This nailer is equipped with a nail length selection switch 15 located on the foot.

- For shorter nails, select speed 1 by setting the switch to the left most position.
- For longer nails and more rigorous applications, select speed 2 by setting the switch to the right most position.

In the event that nails are not driving to depth in speed setting 1, you may have to switch to speed setting 2 for additional driving power.

NOTICE: Firing nails under 2" (50.8 mm) in length using Speed Setting 2 will cause excessive wear to your tool and may result in early failures and or damage.

Fig. G

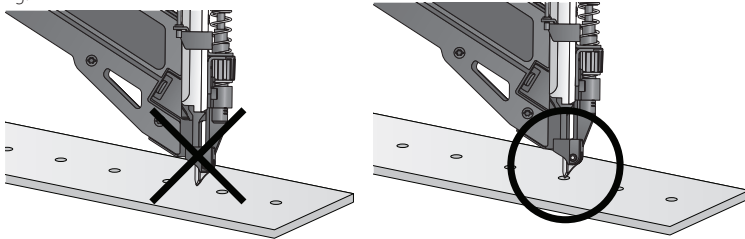


Speed Setting	Benefit	Typical Nail Length
2	Power to drive longer nails	2- 1/2" (63.5 mm)
1	Increased tool durability, Increased battery life, Increased speed of firing	1- 1/2" (38.1 mm)

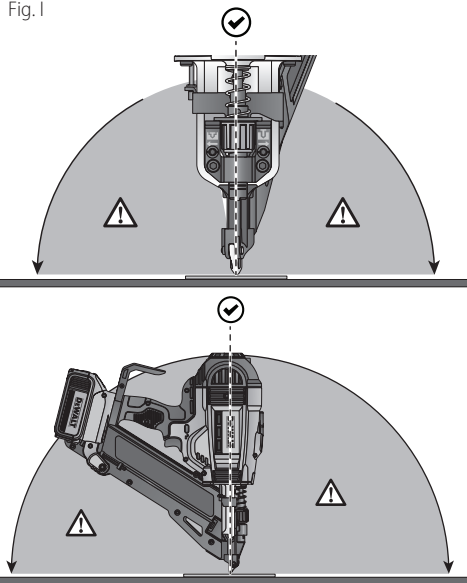
Actuating/Firing the Tool (Fig. A, H, I)

WARNING: Metal connector nails are not designed to penetrate metal. When installing metal connectors, **ALWAYS** place the exposed point of the metal connector tip 13 into the metal connector's pre-formed hole, and orient so the nail is perpendicular to the hole before attempting to drive a fastener. Refer to Figure H.

Fig. H



WARNING: Fasteners must be driven straight into the material. Do not tilt nailer while driving fasteners. Fasteners not driven straight can deflect, causing injury. Refer to Fig. I.



The tool can be fired/actuated by pulling the trigger 1 in one of two modes: sequential mode or RapidCycle™ mode. Refer to **Selecting the Mode** for detailed instructions for firing in each mode.

Selecting the Mode (Fig. A)

WARNING: Always wear proper eye [ANSI Z87.1 (CAN/CSA Z94.3)] and ANSI S12.6 (S3.19) hearing protection when operating tool.

To select standard sequential mode, slide the mode selector switch 9 to display the single arrow ◀ icon.

To select rapid sequential operating mode (RapidCycle™), slide the mode selector switch 9 to display the double arrow ◀◀ icon.

NOTE: Battery life in RapidCycle™ mode will be shorter than in standard sequential mode. Leaving the tool in standard sequential will give maximum battery life.

Sequential Mode

The sequential mode is used for intermittent nailing. It offers the maximum battery life for driving nails.

1. Using the mode selector switch 9, select the sequential mode.
2. Release the trigger safety lock-off 2.
3. Push the contact trip 6 against the work surface.
4. Pull the trigger switch 1 to actuate the tool.
5. Release the trigger and raise the nailer from the work surface.
6. Repeat steps 3–5 to actuate the next nail.

RapidCycle™ Mode

In RapidCycle™ mode, the motor rotation speed is automatically restored after driving a nail to allow fast consecutive nailing. While offering the ability to drive more nails in less time, this mode more quickly depletes the battery charge.

1. Using the mode selector switch 9 to select the RapidCycle™ mode.
2. Release the trigger safety lock-off 2.
3. Push the contact trip 6 against the work surface.
4. Pull the trigger switch 1 to actuate the tool.
5. Release the trigger and raise the nailer from the work surface. **NOTE:** The tool motor returns to full speed automatically without the contact tip 6 being depressed.
6. Repeat steps 3–5 to actuate the next nail.

Adjusting Depth (Fig. J)

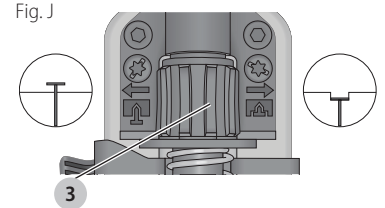
The depth that the nail is driven can be adjusted using the depth adjustment wheel 3 on the nose of the tool.

WARNING: To reduce risk of serious injury from accidental actuation when attempting to adjust depth, **ALWAYS:**

- Remove battery pack.
- Engage trigger lock-off.
- Always point the nose of the nailer away from you.
- Avoid contact with trigger during adjustments.

1. To drive the nail shallower, rotate the depth adjustment wheel 3 to the left, toward the shallow nail icon.
2. To drive a nail deeper, rotate the depth adjustment wheel 3 to the right, toward the deeper nail icon.

Fig. J



LED Indicator (Fig. A)

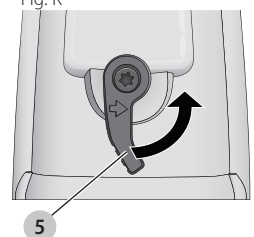
There is an low battery and jam/stall indicator light 4 located on the back of the tool just below the back cap.

		LOW BATTERY Replace battery with a charged pack.
		HOT PACK Let the battery cool or replace it with a cool pack.
		JAM/STALL CONDITION Rotate the stall release lever to release. Refer to Stall Release .
		HOT TOOL Let the tool cool down before continuing use.
		ERROR Reset tool by removing and reinserting battery pack or cycling trigger lock off. If error code persist, take tool to an authorized DeWALT service center.

Stall Release (Fig. K)

If the nailer is used in harder wood where all available energy in the motor is used to drive a fastener, the tool may stall. The driver blade will not complete the drive cycle and the jam/stall indicator will flash. Rotate the stall release lever 5 on the tool and the mechanism will release. **NOTE:** The tool will disable itself and not reset until the battery pack has been removed and reinserted. If the driver blade does not automatically return to the home position, proceed to **Clearing a Jammed Nail**. If the unit continues to stall please review the material and fastener length to be sure that it is not too rigorous an application.

Fig. K



Clearing a Jammed Nail (Fig. A, L)

WARNING: To reduce the risk of serious personal injury, disconnect battery pack from tool before making any adjustments, changing accessories, servicing, or moving the tool. Such preventative safety measures reduce the risk of starting the tool accidentally.

CAUTION: When removing a jammed nail, DO NOT orient the nailer with the nose up or with the battery foot up. Positioning the nailer this way makes the jammed nail or pieces of the nail more likely to be ingested into the nailer. If any portion of a nail is ingested into the tool, the nail should be retrieved by removing the top cap.

If a nail becomes jammed in the nosepiece, keep the tool pointed away from you and follow these instructions to clear:

1. Remove battery pack from tool and engage trigger lock-off.
2. After laying the tool on its side, slide the spring-loaded pusher latch **8** to the base of the magazine to lock it into place and unload nail strip.

NOTE: If nails don't release press nail support lever **14**.

3. Using the hex tool **11** provided, loosen the two hex bolts **17** at the top of the magazine.
4. Rotate the magazine **7** forward.
5. Remove jammed/bent nail, using pliers if necessary.

CAUTION: If any portion of a nail is ingested into the tool, the nail should be retrieved by removing the top cap.

6. If the driver blade is in the down position, rotate the stall release lever on the top of the nailer. **NOTE:** If the driver blade will not reset after rotating the stall release lever, manually resetting the blade with a long screw driver may be necessary.

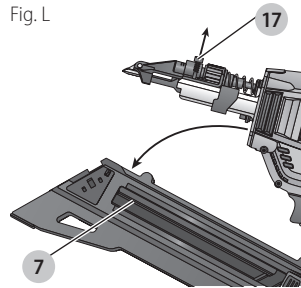
7. Rotate the magazine back into position under the nose of the tool and tighten hex bolts.
8. Reinsert battery pack.

NOTE: The tool will disable itself and not reset until the battery pack has been removed and reinserted.

9. Reinsert nails into magazine (refer to **Loading the Tool**).
10. Release the pusher latch.
11. Disengage the trigger lock-off when ready to continue nailing.

NOTE: Should nails jam frequently or the driver blade continually fail to reset, have tool serviced by an authorized DeWALT service center.

Fig. L



Cold Weather Operation

When operating tools at temperatures below freezing:

1. Keep tool as warm as possible prior to use.
2. Actuate the tool 10 or 15 times into scrap lumber before using.

Hot Weather Operation

Tool should operate normally. However, keep tool out of direct sunlight as excessive heat can deteriorate bumpers and other rubber parts resulting in increased maintenance.

Rotating Rafter Hook (Fig. M)

WARNING: Never use hook to hang tool from belt or other clothing unless tool is in sequential action mode.

WARNING: Remove nails from magazine before making any adjustments or servicing this tool. Failure to do so may result in serious injury.

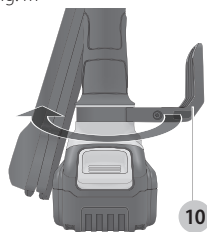
CAUTION: When not in use, place tool on its side on a stable surface where it will not cause a tripping or falling hazard.

CAUTION: Some tools with large battery packs will stand upright on the battery pack but may be easily knocked over.

The DeWALT cordless nailer includes a rotating rafter hook **10** and can be easily positioned to the left or right of the tool to accommodate left- or right-handed users.

If use of the hook is not desired at all, it can be rotated to the front or back of the handle base.

Fig. M



MAINTENANCE

WARNING: To reduce the risk of serious personal injury, turn unit off and remove the battery pack before making any adjustments or removing/installing attachments or accessories. An accidental start-up can cause injury.

Daily Maintenance Chart

ACTION	WHY	HOW
Clean magazine, pusher, and contact trip mechanism.	Permits smooth operation of magazine, reduces wear, and prevents jams.	Blowing off the tool with compressed air is the most effective way to clean the tool. The use of oils, lubricants periodically or solvents is not recommended as they tend to attract debris and/or damage the plastic parts of the tool.
Before each use, check to ensure all screws and fasteners are tight and undamaged.	Prevents jams and premature failure of tool parts.	Tighten loose screws using the appropriate hex wrench or screwdriver.

Cleaning

WARNING: Blow dirt and dust out of all air vents with clean, dry air at least once a week. To minimize the risk of eye injury, always wear ANSI Z87.1 approved eye protection when performing this.

WARNING: Never use solvents or other harsh chemicals for cleaning the non-metallic parts of the tool. These chemicals may weaken the plastic materials used in these parts. Use a cloth dampened only with water and mild soap. Never let any liquid get inside the tool; never immerse any part of the tool into a liquid.

Lubrication

NOTICE: DO NOT store tool with battery pack installed. To prevent damage to the pack and to ensure best battery life, store battery packs out of the tool or charger in a cool, dry location. DeWALT tools are properly lubricated at the factory and are ready for use. However, it is recommended that, once a year, you take or send the tool to a certified service center for a thorough cleaning and inspection.

Accessories

WARNING: Since accessories, other than those offered by DeWALT, have not been tested with this product, use of such accessories with this tool could be hazardous. To reduce the risk of injury, only DeWALT recommended accessories should be used with this product.

Recommended accessories for use with your tool are available at extra cost from your local dealer or authorized service center. If you need assistance in locating any accessory, please contact DeWALT Industrial Tool Co., 701 East Joppa Road, Towson, MD 21286, call 1-800-4-DeWALT (1-800-433-9258) or visit our website: www.DeWALT.com.

Repairs

The charger and battery pack are not serviceable.

WARNING: To assure product SAFETY and RELIABILITY, repairs, maintenance and adjustment (including brush inspection and replacement, when applicable) should be performed by a DeWALT factory service center or a DeWALT authorized service center. Always use identical replacement parts.

DCN6931 Tip Replacement (Fig. N)

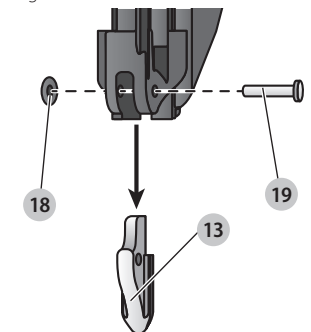
Over time - the metal connecting tip **13** will wear and eventually need replacement.

WARNING: For your own safety, read the tool instruction manual before using any accessory. Failure to heed these warnings may result in personal injury and serious damage to the tool and the accessory. When servicing this tool, use only identical replacement parts.

To Replace Metal Connecting Tip

1. Using a flathead screwdriver, gently push the hard rubber washer **18** off of the tip securing pin **19**.
2. Slide the pin **19** out of the nailer nose.
3. Pull the worn/damaged tip out of the nose.
4. Insert a new metal connecting tip.
5. Re-insert the securing pin **19** through the nose and metal connecting tip.
6. Press the hard rubber washer **18** back on to the securing pin.

Fig. N



DCN6901 Return Spring Replacement Kit (Fig. M-T)

WARNING: For your own safety, read the tool instruction manual before using any accessory. Failure to heed these warnings may result in serious personal injury and damage to the tool and the accessory. When servicing this tool, use only identical replacement parts.

NOTICE: All the mechanical parts of the spring replacement kit are shown for convenience and verification of inclusion. The kit also contains a packet of Loctite adhesive for use in step 9. Refer to Fig. T.

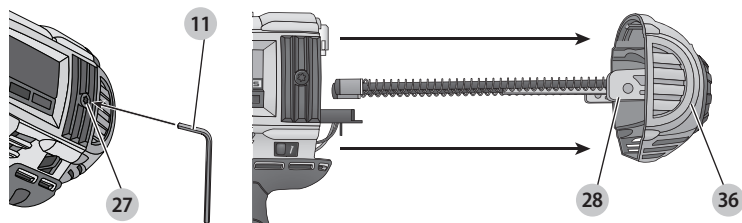
To change broken return springs

NOTE: Springs should be replaced as a pair, using only the correct DeWALT accessory spring replacement kit.

1. Using the key **11** provided, loosen the two screws **27** on either side of the unit. Refer to Figure O.

2. Remove the return system **28** from the unit. Refer to Figure P.

Fig. O Fig. P



3. Slide the spring rail clip **29** off of the spring rail **30**. Refer to Figure R.
 4. Twist and remove the spring bumper **31** and remove the washer **32** and return spring **33**. Refer to Figure R.

5. Mount the new return spring and washer on to the spring rail **30**. While compressing the spring with the washer near the opposite end of the rail, twist on the new spring bumper until it is past the groove **34** for the spring rail clip.

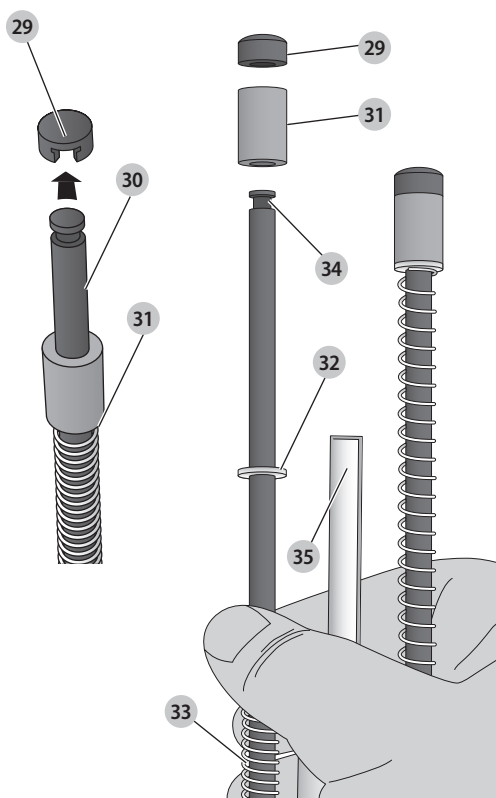
6. Mount the new spring rail clip securely and position the bumper against the clip.

7. Repeat steps 3–6 for the second spring.

NOTE: Check the return of the profile by sliding the profile **35** up the spring rail and letting it go. It should return due to the force from the springs.

8. Slide the return system **28** back into the unit. It is important to try the alignment of the profile and the flywheel before screwing the return system back on to the unit. This can be done by connecting a battery and pushing then releasing the nose of the unit against a bench or hard surface. This will start the motor spinning.

Fig. Q Fig. R



NOTE: When the profile and the flywheel are correctly aligned, you will hear the motor coast back down from full speed. If the profile and the flywheel are not correctly aligned, the motor it may not start up, may slow down much faster than normal along with a loud grinding noise from the unit. If this happens remove and reseat the return system.

9. Once the return system is correctly seated, open the provided sachet of Loctite** and apply a small amount on the thread of the two screws **27** and remount the two screws using the key and tighten securely.

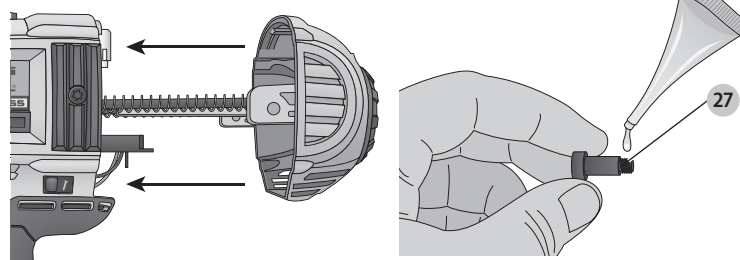
WARNING: Always test the unit by firing short nails in to soft wood, to ensure that the tool is working properly. If tool does not operate properly, contact a recognized DeWALT service center immediately.

WARNING: Loctite® sachet contents may irritate eyes, skin, and respiratory system. Use entire contents on opening. Do not breath fumes. Do not get in eyes or on skin or clothing. Use only in a well ventilated area. Keep out of reach of children. **FIRST AID TREATMENT:** Contains polyglycol dimethacrylate, polyglycol oleate, propylene glycol, titanium dioxide, and cumene hydroperoxide. If swallowed, call a Poison Control Center or doctor immediately. Do not induce vomiting. If breathed in move person to fresh air. If in

eyes, rinse with water for 15 minutes. Obtain medical attention. If on skin, rinse well with water. If on clothes, remove clothes.

*Loctite® is a registered trademark of Henkel Corp.

Fig. S Fig. T



Register Online

Thank you for your purchase. Register your product now for:

- **WARRANTY SERVICE:** Registering your product will help you obtain more efficient warranty service in case there is a problem with your product.
- **CONFIRMATION OF OWNERSHIP:** In case of an insurance loss, such as fire, flood or theft, your registration of ownership will serve as your proof of purchase.
- **FOR YOUR SAFETY:** Registering your product will allow us to contact you in the unlikely event a safety notification is required under the Federal Consumer Safety Act.

Register online at www.DeWALT.com/register.

Three Year Limited Warranty

DeWALT will repair, without charge, any defects due to faulty materials or workmanship for three years from the date of purchase. This warranty does not cover part failure due to normal wear or tool abuse. For further detail of warranty coverage and warranty repair information, visit www.DeWALT.com or call 1-800-4-DeWALT (1-800-433-9258). This warranty does not apply to accessories or damage caused where repairs have been made or attempted by others. THIS LIMITED WARRANTY IS GIVEN IN LIEU OF ALL OTHERS, INCLUDING THE IMPLIED WARRANTY OF MERCHANTABILITY AND FITNESS FOR A PARTICULAR PURPOSE, AND EXCLUDES ALL INCIDENTAL OR CONSEQUENTIAL DAMAGES. Some states do not allow limitations on how long an implied warranty lasts or the exclusion or limitation of incidental or consequential damages, so these limitations may not apply to you. This warranty gives you specific legal rights and you may have other rights which vary in certain states or provinces.

In addition to the warranty, DeWALT tools are covered by our:

1 YEAR FREE SERVICE

DeWALT will maintain the tool and replace worn parts caused by normal use for free any time during the first year after purchase. Nailer wear items such as return springs, driver blades, and bumpers are not covered.

2 YEARS FREE SERVICE ON DEWALT BATTERY PACKS

DC9071, DC9091, DC9096, DC9182, DC9280, DC9360, DCB120, DCB127, DCB201, DCB203, DCB203BT, DCB207, DCB361

3 YEARS FREE SERVICE ON DEWALT BATTERY PACKS

DCB200, DCB204, DCB204BT, DCB205, DCB205BT, DCB206, DCB606, DCB609

NOTE: Battery warranty voided if the battery pack is tampered with in any way. DeWALT is not responsible for any injury caused by tampering and may prosecute warranty fraud to the fullest extent permitted by law.

90 DAY MONEY BACK GUARANTEE

If you are not completely satisfied with the performance of your DeWALT Power Tool, Laser, or Nailer for any reason, you can return it within 90 days from the date of purchase with a receipt for a full refund – no questions asked.

LATIN AMERICA: This warranty does not apply to products sold in Latin America. For products sold in Latin America, see country specific warranty information contained in the packaging, call the local company or see website for warranty information.

FREE WARNING LABEL REPLACEMENT: If your warning labels become illegible or are missing, call 1-800-4-DeWALT (1-800-433-9258) for a free replacement.

TROUBLESHOOTING GUIDE

MANY COMMON PROBLEMS CAN BE SOLVED EASILY BY UTILIZING THE CHART BELOW. FOR MORE SERIOUS OR PERSISTENT PROBLEMS,
CONTACT A DeWALT SERVICE CENTER OR CALL 1-(800)-4-DeWALT.



WARNING: To reduce the risk of serious personal injury, ALWAYS disconnect battery pack from tool before all repairs.

SYMPTOM	CAUSE	FIX
Motor does not run with contact trip depressed	Trigger lock in locked position	Unlock trigger lock.
	Dryfire lock out engaged, blocking contact trip from traveling fully	Load more nails into magazine.
	Tool is stalled, locking the motor from rotating	Rotate the stall release lever on the tool and the mechanism will release. If driver blade does not return, remove battery and manually push driver blade back to home position.
	Bent contact trip	See authorized service center.
	Motor stops running after 5 seconds	Normal operation, release contact trip and redepress.
	Terminals are dirty or damaged	See authorized service center.
	Damaged internal electronics	See authorized service center.
	Damaged Trigger	See authorized service center.
Tool does not actuate (motor runs but will not fire)	Battery is hot	Let the battery cool or replace it with a cool pack.
	Tool is hot	Let the tool cool down before continuing use.
	Dryfire lock out engaged, blocking contact trip from traveling fully	Load nails into magazine.
	Low battery charge or damaged battery	Check charge level if pack shows state-of-charge. Charge or replace battery pack if necessary.
	Jammed nail/driver blade not returned to home position	Remove battery, clear jammed nail, cycle stall release lever, (push driver blade up manually if necessary) reinsert battery pack.
	Damaged driver/return assembly	Replace driver/return assembly with kit.
Motor starts up but generates a lot of noise	Jammed internal mechanism	See authorized service center.
	Damaged internal electronics	See authorized service center.
Driver blade continues to get stuck in down position	Jammed nail and driver blade is stuck in down position	Use stall release lever, clear and jammed nails, and return driver blade manually if necessary.
	Damaged driver/return assembly	Replace driver/return assembly with kit.
Tool operates but does not drive fasteners fully	Debris in nosepiece	Clean nose area and watch closely for small pieces of broken nails stuck in the track. Refer to Clearing a Jammed Nail.
	Depth adjust set too shallow	Rotate depth adjust to a deeper setting.
	Tool not firmly applied to workpiece	Apply adequate force to tool securing it tightly to workpiece. See instruction manual.
	Material and fastener length	If the unit continues to stall (forcing the need to rotate the Stall release lever) choose the appropriate material and fastener length that is not too rigorous of an application.
	Damaged or worn driver blade tip	Replace driver/return assembly with kit.
	Damaged actuation mechanism	See authorized service center.
	Tool is not yet run-in	New tools can take 500–1000 nails for parts to mesh and wear in together. Drive shorter nails during this period if experiencing difficulty driving nails flush.
Tool operates, but no fastener is driven	Use of incorrect speed	If trying to drive longer nails in soft woods, or driving nails into harder materials using speed 1 - adjust speed setting to position 2.
	No nails in magazine	Load nails in magazine.
	Wrong size or angle nails	Use only the recommended nails. Refer to Nail Specifications .
	Debris in nosepiece	Clean nose area and watch closely for small pieces of broken nails stuck in the track.
	Debris in magazine	Clean magazine.
	Worn magazine	Replace magazine. See authorized service center.
	Damaged or worn driver blade	Replace driver blade with kit.
Damaged pusher spring	Replace spring; see authorized service center.	

SYMPTOM	CAUSE	FIX
Jammed nail	Wrong size or angle nails	Use only the recommended nails Refer to <i>Nail Specifications</i> .
	Magazine screws not secured after previous jam clear/inspection	Make sure to tighten magazine hex bolts with wrench provided.
	Damaged or worn driver blade	Replace driver blade See authorized service center.
	Material and fastener length	If the unit continues to stall (forcing the need to rotate the Stall release lever) choose the appropriate material and fastener length that is not too rigorous an application.
	Debris in nosepiece	Clean nose area and watch closely for small pieces of broken nails stuck in the track.
	Worn magazine	Replace magazine See authorized service center.
	Damaged pusher spring	Replace springs with kit.
	Dry fire lock out is engaged with only 7–9 nails remaining in magazine and the user is applying excessive force to contact trip, overriding the lockout	Load more nails in magazine to disengage dryfire lockout.
	Tool is not yet run-in	New tools can take 500–1000 nails for parts to mesh and wear in together. Drive shorter nails during this period if experiencing difficulty driving nails flush.
Use of incorrect speed	If trying to drive longer nails in soft woods, or driving nails into harder materials using speed 1 - adjust speed setting to position 2.	
Nails miss preformed holes	Tip not place placed in preformed hole	Ensure Metal Connector Tip 13 is placed in preformed hole before firing nail.
	Metal Connector Tip 13 is worn out	Replace tip with kit.
	Material such as nail collation is jammed in nose	Clear out nose. Refer to Clearing a Jammed Nail.
Poor driving hole performance	Damaged or worn driver tip	Replace tip with kit. If poor performance remains take tool to an authorised DeWALT repair agent.

Définitions : symboles et termes d'alarmes sécurité

Ces guides d'utilisation utilisent les symboles et termes d'alarmes sécurité suivants pour vous prévenir de situations dangereuses et de risques de dommages corporels ou matériels.

⚠ DANGER : indique une situation dangereuse imminente qui, si elle n'est pas évitée, **entraînera la mort ou des blessures graves.**

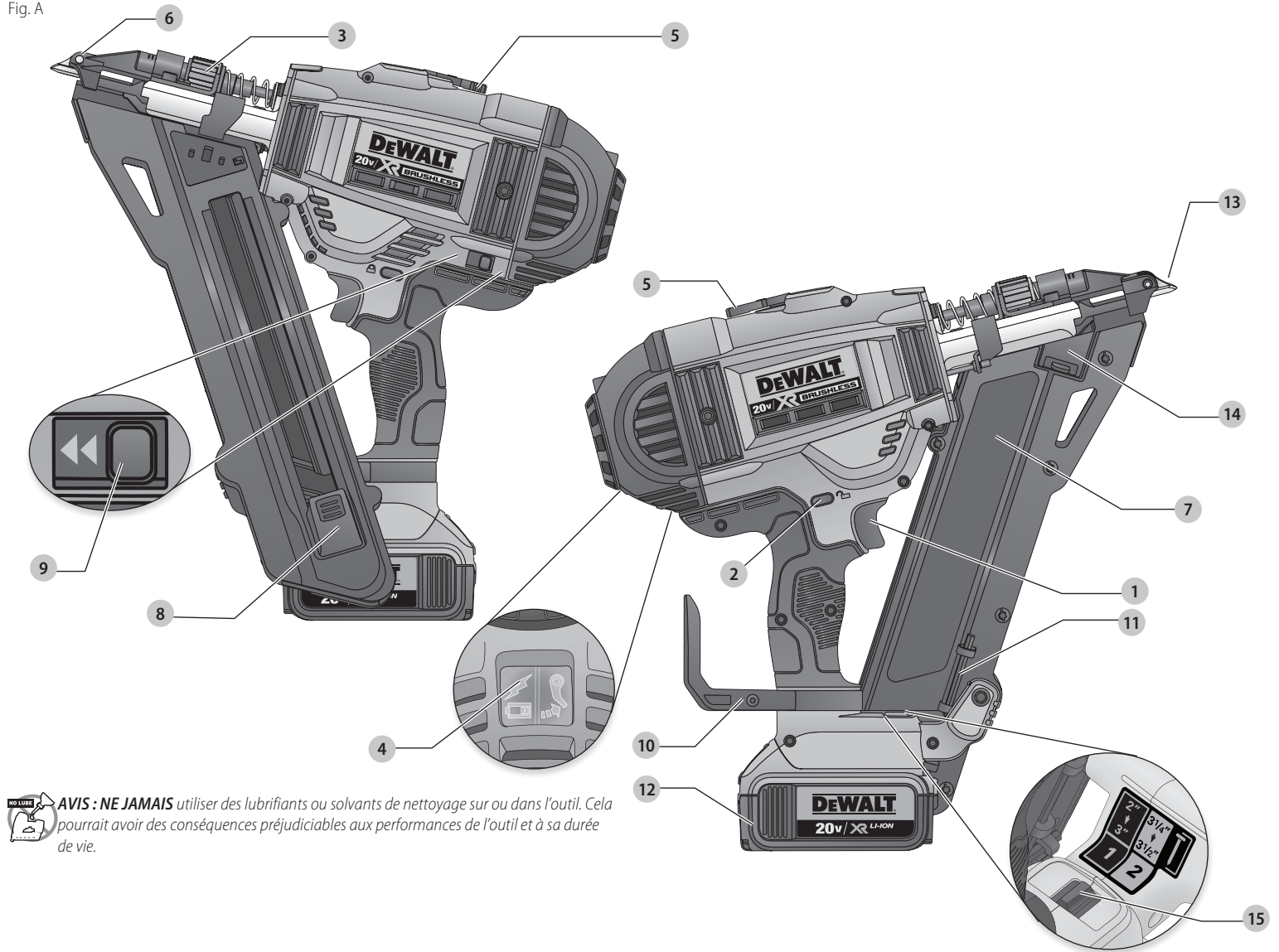
⚠ AVERTISSEMENT : indique une situation potentiellement dangereuse qui, si elle n'est pas évitée, **pourrait entraîner la mort ou des blessures graves.**

⚠ ATTENTION : indique une situation potentiellement dangereuse qui, si elle n'est pas évitée, **pourrait entraîner des blessures légères ou modérées.**

⚠ (Si utilisé sans aucun terme) Indique un message propre à la sécurité.

AVIS : indique une pratique ne posant **aucun risque de dommages corporels** mais qui par contre, si rien n'est fait pour l'éviter, **pourrait poser des risques de dommages matériels.**

Fig. A



AVIS : NE JAMAIS utiliser des lubrifiants ou solvants de nettoyage sur ou dans l'outil. Cela pourrait avoir des conséquences préjudiciables aux performances de l'outil et à sa durée de vie.

- | | |
|---|---|
| 1 Gâchette | 9 Interrupteur séquentiel et RapidCycle ^{MC} |
| 2 Verrouillage de gâchette | 10 Crochet de ceinture/chevron rotatif |
| 3 Molette de réglage de profondeur | 11 Clé hexagonale intégrée |
| 4 Voyants de charge et de grippage/enrayage | 12 Bloc-piles |
| 5 Levier de désenrayage | 13 Embout à raccord métallique |
| 6 Déclencheur par contact | 14 Levier de support de clous |
| 7 Chargeur | 15 Sélecteur de longueur de clou |
| 8 Verrou à glissière | |

⚠ AVERTISSEMENT! lire tous les avertissements de sécurité et toutes les directives. Le non-respect des avertissements et des directives pourrait se solder par un choc électrique, un incendie et/ou une blessure grave.

⚠ AVERTISSEMENT : afin de réduire le risque de blessures, lire le mode d'emploi de l'outil.

Pour toute question ou remarque au sujet de cet outil ou de tout autre outil DeWALT, composez le numéro sans frais : 1-800-4-DeWALT (1-800-433-9258).

AVERTISSEMENTS DE SÉCURITÉ GÉNÉRAUX POUR LES OUTILS ÉLECTRIQUES

! **AVERTISSEMENT!** lire tous les avertissements de sécurité et toutes les directives. Le non-respect des avertissements et des directives pourrait se solder par un choc électrique, un incendie et/ou une blessure grave.

CONSERVER TOUS LES AVERTISSEMENTS ET TOUTES LES DIRECTIVES POUR UN USAGE ULTÉRIEUR

Le terme « outil électrique » cité dans les avertissements se rapporte à votre outil électrique à alimentation sur secteur (avec fil) ou par piles (sans fil).

1) Sécurité du lieu de travail

- Tenir l'aire de travail propre et bien éclairée.** Les lieux encombrés ou sombres sont propices aux accidents.
- Ne pas faire fonctionner d'outils électriques dans un milieu déflagrant, tel qu'en présence de liquides, de gaz ou de poussières inflammables.** Les outils électriques produisent des étincelles qui pourraient enflammer la poussière ou les vapeurs.
- Éloigner les enfants et les personnes à proximité pendant l'utilisation d'un outil électrique.** Une distraction pourrait en faire perdre la maîtrise à l'utilisateur.

2) Sécurité en matière d'électricité

- Les fiches des outils électriques doivent correspondre à la prise. Ne jamais modifier la fiche d'aucune façon. Ne jamais utiliser de fiche d'adaptation avec un outil électrique mis à la terre.** Le risque de choc électrique sera réduit par l'utilisation de fiches non modifiées correspondant à la prise.
- Éviter tout contact physique avec des surfaces mises à la terre comme des tuyaux, des radiateurs, des cuisinières et des réfrigérateurs.** Le risque de choc électrique est plus élevé si votre corps est mis à la terre.
- Ne pas exposer les outils électriques à la pluie ou à l'humidité.** La pénétration de l'eau dans un outil électrique augmente le risque de choc électrique.
- Ne pas utiliser le cordon de façon abusive. Ne jamais utiliser le cordon pour transporter, tirer ou débrancher un outil électrique. Tenir le cordon éloigné de la chaleur, de l'huile, des bords tranchants et des pièces mobiles.** Les cordons endommagés ou enchevêtrés augmentent les risques de choc électrique.
- Pour l'utilisation d'un outil électrique à l'extérieur, se servir d'une rallonge convenant à cette application.** L'utilisation d'une rallonge conçue pour l'extérieur réduira les risques de choc électrique.
- S'il est impossible d'éviter l'utilisation d'un outil électrique dans un endroit humide, brancher l'outil dans une prise ou sur un circuit d'alimentation dotés d'un disjoncteur de fuite à la terre (GFCI).** L'utilisation de ce type de disjoncteur réduit les risques de choc électrique.

3) Sécurité personnelle

- Être vigilant, surveiller le travail effectué et faire preuve de jugement lorsqu'un outil électrique est utilisé. Ne pas utiliser d'outil électrique en cas de fatigue ou sous l'influence de drogues, d'alcool ou de médicaments.** Un simple moment d'inattention en utilisant un outil électrique peut entraîner des blessures corporelles graves.
- Utiliser des équipements de protection individuelle. Toujours porter une protection oculaire.** L'utilisation d'équipements de protection comme un masque antipoussière, des chaussures antidérapantes, un casque de sécurité ou des protecteurs auditifs lorsque la situation le requiert réduira les risques de blessures corporelles.
- Empêcher les démarrages intempestifs. S'assurer que l'interrupteur se trouve à la position d'arrêt avant de relier l'outil à une source d'alimentation et/ou d'insérer un bloc-piles, de ramasser ou de transporter l'outil.** Transporter un outil électrique alors que le doigt repose sur l'interrupteur ou brancher un outil électrique dont l'interrupteur est à la position de marche risque de provoquer un accident.
- Retirer toute clé de réglage ou clé avant de démarrer l'outil.** Une clé ou une clé de réglage attachée à une partie pivotante de l'outil électrique peut provoquer des blessures corporelles.
- Ne pas trop tendre les bras. Conserver son équilibre en tout temps.** Cela permet de mieux maîtriser l'outil électrique dans les situations imprévues.
- S'habiller de manière appropriée. Ne pas porter de vêtements amples ni de bijoux. Garder les cheveux, les vêtements et les gants à l'écart des pièces mobiles.** Les vêtements amples, les bijoux ou les cheveux longs risquent de rester coincés dans les pièces mobiles.
- Si des composants sont fournis pour le raccordement de dispositifs de dépoussiérage et de ramassage, s'assurer que ceux-ci sont bien raccordés et utilisés.** L'utilisation d'un dispositif de dépoussiérage peut réduire les dangers engendrés par les poussières.

4) Utilisation et entretien d'un outil électrique

- Ne pas forcer un outil électrique. Utiliser l'outil électrique approprié à l'application.** L'outil électrique approprié effectuera un meilleur travail, de façon plus sûre et à la vitesse pour laquelle il a été conçu.
- Ne pas utiliser un outil électrique dont l'interrupteur est défectueux.** Tout outil électrique dont l'interrupteur est défectueux est dangereux et doit être réparé.

- Débrancher la fiche de la source d'alimentation et/ou du bloc-piles de l'outil électrique avant de faire tout réglage ou changement d'accessoire ou avant de ranger l'outil.** Ces mesures préventives réduisent les risques de démarrage accidentel de l'outil électrique.
- Ranger les outils électriques hors de la portée des enfants et ne permettre à aucune personne n'étant pas familière avec un outil électrique ou son mode d'emploi d'utiliser cet outil.** Les outils électriques deviennent dangereux entre les mains d'utilisateurs inexpérimentés.
- Entretien des outils électriques. Vérifier si les pièces mobiles sont mal alignées ou coincées, si des pièces sont brisées ou présentent toute autre condition susceptible de nuire au bon fonctionnement de l'outil électrique. En cas de dommage, faire réparer l'outil électrique avant toute nouvelle utilisation.** Beaucoup d'accidents sont causés par des outils électriques mal entretenus.
- S'assurer que les outils de coupe sont aiguisés et propres.** Les outils de coupe bien entretenus et affûtés sont moins susceptibles de se coincer et sont plus faciles à maîtriser.
- Utiliser l'outil électrique, les accessoires, les forets, etc. conformément aux présentes directives en tenant compte des conditions de travail et du travail à effectuer.** L'utilisation d'un outil électrique pour toute opération autre que celle pour laquelle il a été conçu est dangereuse.

5) Utilisation et entretien du bloc-piles

- Ne recharger l'outil qu'au moyen du chargeur précisé par le fabricant.** L'utilisation d'un chargeur qui convient à un type de bloc-piles risque de provoquer un incendie s'il est utilisé avec un autre type de bloc-piles.
- Utiliser les outils électriques uniquement avec les blocs-piles conçus à cet effet.** L'utilisation de tout autre bloc-piles risque de causer des blessures ou un incendie.
- Lorsque le bloc-piles n'est pas utilisé, le tenir éloigné des objets métalliques, notamment des trombones, de la monnaie, des clés, des clous, des vis ou autres petits objets métalliques qui peuvent établir une connexion entre les deux bornes.** Le court-circuit des bornes du bloc-piles risque de provoquer des brûlures ou un incendie.
- En cas d'utilisation abusive, le liquide peut gicler hors du bloc-piles; éviter tout contact avec ce liquide. Si un contact accidentel se produit, laver à grande eau. Si le liquide entre en contact avec les yeux, obtenir également des soins médicaux.** Le liquide qui gicle hors du bloc-piles peut provoquer des irritations ou des brûlures.

6) Réparation

- Faire réparer l'outil électrique par un réparateur professionnel en n'utilisant que des pièces de rechange identiques.** Cela permettra de maintenir une utilisation sécuritaire de l'outil électrique.

Consignes de sécurité propres aux cloueurs

- Assumer systématiquement que l'outil est chargé.** L'utilisation hasardeuse du cloueur pourra provoquer le tir accidentel d'attaches et causer des dommages corporels.
- Ne jamais pointer l'outil vers soi-même ou toute autre personne à proximité.** Le déclenchement accidentel d'attaches causerait des dommages corporels.
- Ne pas actionner l'outil à moins que l'outil soit fermement placé contre la pièce de travail.** Si l'outil n'est pas en contact avec la pièce de travail, l'attache peut être déviée de votre cible.
- Débranchez l'outil de la source d'alimentation lorsque l'attache bloque dans l'outil.** Lorsque vous retirez une attache bloquée, l'outil peut être accidentellement activé si il est branché à une source d'alimentation.
- Ne pas utiliser cet outil pour fixer des câbles électriques.** Il n'a pas été conçu pour installer des câbles électriques et pourrait en endommager l'isolant et poser ainsi des risques de chocs électriques et d'incendies.

Consignes de sécurité additionnelles propres aux cloueurs

- !** **AVERTISSEMENT :** lors de l'utilisation de tout modèle de cloueuse, suivre toutes les mesures de sécurité, décrites ci-après, pour éviter un risque de décès ou de blessures graves. Lire et assimiler toutes les directives avant d'utiliser l'outil.
- Tenez l'outil par les surfaces de prise isolées lorsque vous effectuez une tâche où la cloueuse peut entrer en contact avec le câblage dissimulé.** Entrez en contact avec un câble « sous tension » exposera aussi les pièces métalliques de l'outil « sous tension » et pourrait donner un choc électrique à l'utilisateur.
 - L'outil actionné pourrait projeter des débris, de la colle d'assemblage ou de la poussière, qui peuvent tous provoquer des lésions oculaires à l'opérateur.** L'opérateur et les autres personnes œuvrant dans la zone de travail doivent porter des lunettes de sécurité munies de protecteurs latéraux. Ces lunettes de sécurité doivent être conformes aux exigences de la norme ANSI Z87.1 (les lunettes homologuées portent l'inscription « Z87 » imprimée ou estampillée). L'employeur a la responsabilité d'imposer le port d'un équipement de protection oculaire par l'opérateur de l'outil et toute personne se trouvant dans la zone immédiate de travail.
 - Toujours porter une protection auditive et toute autre protection convenable lors de l'utilisation de l'outil.** Dans certaines conditions et selon la durée d'utilisation, le bruit émis par ce produit pourrait contribuer à une perte auditive.
 - Déconnecter le bloc-piles lorsque l'outil n'est pas utilisé. Retirer systématiquement le bloc-piles et les attaches du magasin avant de quitter l'aire de travail ou de passer**

l'outil à un autre utilisateur. Ne pas transporter l'outil connecté à son bloc-piles sur d'autres lieux de travail si cela implique l'utilisation d'échafaudages, d'escaliers, d'échelles ou tout autre moyen similaire. N'effectuer aucun réglage ou maintenance, ni aucun retrait d'attaches enrayées alors que le bloc-piles est en place.

- **Ne pas retirer, altérer, ou rendre de quelque manière que ce soit l'outil, la gâchette ou le verrouillage de gâchette inopérant.** Ne pas coller ou attacher la gâchette en position « ON » (Marche). Ne pas retirer le ressort du déclencheur par contact. Vérifier quotidiennement que le mouvement de la gâchette est libre. Une décharge incontrôlée pourrait en résulter.
- **Inspectez l'outil avant toute utilisation. Ne pas utiliser l'outil si une portion quelconque de l'outil, de la gâchette ou du verrouillage de gâchette est inopérante, déconnectée, modifiée ou ne fonctionne pas correctement.** Toute pièce endommagée ou manquante doit être réparée ou remplacée avant nouvel usage. Se reporter à la rubrique **Réparations**.
- **Ne jamais modifier ni altérer l'outil.**
- **Toujours présumer que l'outil contient des attaches.**
- **Ne jamais pointer l'outil sur des collègues ou sur soi-même.** Pas de bousculades! Travailler en toute sécurité! Traiter l'outil comme un instrument essentiel de travail.
- **Éloigner les curieux, les enfants et les visiteurs lors de l'utilisation d'un outil électrique.** Une distraction pourrait vous en faire perdre la maîtrise. Verrouiller l'outil dans un endroit sûr, hors de la portée des enfants lorsqu'il n'est pas utilisé.
- **Activer systématiquement le verrouillage de gâchette lorsque l'utilisation de l'outil n'est pas immédiate.** Le fait d'activer le verrouillage de gâchette prévient toute décharge accidentelle.
- **Ne pas trop tendre les bras. Conserver son équilibre en tout temps.** Une perte d'équilibre risque d'entraîner une blessure.
- **Utiliser l'outil uniquement pour les travaux pour lesquels il a été conçu. Ne pas décharger les attaches à l'air libre ou dans des matériaux trop durs comme le béton, la pierre, le bois très dur, les nœuds ou toute autre matière trop difficile à pénétrer.** Ne pas utiliser le corps de l'outil ou son couvercle supérieur comme marteau. Les attaches éjectées peuvent suivre une trajectoire inattendue et provoquer des blessures.
- **Toujours prendre soin d'éloigner les doigts du déclencheur par contact pour prévenir une blessure en cas de relâchement involontaire du poussoir.**
- **Se reporter à la rubrique Entretien et Réparations pour obtenir de plus amples renseignements sur l'entretien approprié de l'outil.**
- **Toujours utiliser l'outil dans un endroit propre et éclairé.** S'assurer que la surface de travail est exempte de débris et prendre soin de ne pas perdre l'équilibre lors de travaux en hauteur, comme sur un toit.
- **Ne pas enfoncer d'attaches près du bord de la pièce.** La pièce risque de se fendre, faire ricocher l'attache et blesser l'opérateur ou un collègue de travail. Il est possible que le clou suive le fil du bois et sorte inopinément sur le côté de la pièce. Enfoncer la pointe biseautée du clou perpendiculairement au fil du bois pour réduire le risque de blessures.
- **Les attaches doivent être enfoncées droit dans le matériau. Ne pas incliner la cloueuse alors que l'on enfonce une attache.** Un recul puissant dû à l'enrayage des clous ou un ricochet de clous pourrait en résulter et poser des risques de dommages corporels.
- **Garder les mains et les parties du corps éloignées de la zone immédiate de travail.** Le cas échéant, tenir la pièce à l'aide de serres pour protéger les mains et le corps de dangers potentiels. S'assurer que la pièce est bien fixe avant d'appuyer la cloueuse contre celle-ci. La force du déclencheur peut entraîner le déplacement inopiné de la pièce.

AVERTISSEMENT : maintenir les mains éloignées de l'avant de l'outil.

- **Ne pas utiliser d'outil en présence de poussières, de gaz ou d'émanations inflammables.** L'outil peut générer une étincelle qui risque d'enflammer les gaz, provoquant ainsi un incendie. Une étincelle pourrait également être produite si un clou est enfoncé sur un autre clou.
- **Tenir le visage et le corps à l'écart de l'arrière du couvercle de l'outil lors de travaux dans des endroits d'accès limité.** En effet, un recul inopiné peut entraîner un impact au corps, particulièrement lors d'un clouage dans une matière dure ou dense.
- **Maintenir l'outil fermement pour conserver son contrôle tout en permettant à l'outil de rebondir de la surface à travailler alors que l'attache est enfoncée.**
- **S'informer de l'épaisseur du matériau lorsque vous utilisez une cloueuse.** Un clou en saillie peut causer des blessures.
- **RÉGLAGE DE LA PROFONDEUR :** pour réduire les risques de blessures graves lors de l'actionnement accidentel de l'outil lorsqu'on tente de régler la profondeur, **TOUJOURS :**
 - Retirer le bloc-piles.
 - Activer le verrouillage de gâchette.
 - Éviter tout contact avec la détente lors des réglages.
- **Ne pas enfoncer des clous à l'aveuglette dans les murs, les planchers et autres zones de travail.** Des attaches enfoncées dans des fils électriques sous tension, de la plomberie ou d'autres types d'obstacles peuvent entraîner des blessures.
- **Rester vigilant, faire attention au travail en cours et faire preuve de jugement dans l'utilisation de tout outil électrique. Ne pas utiliser d'outil en cas de fatigue ou sous l'emprise de drogues, d'alcool ou de médicaments.** Un simple moment d'inattention en utilisant un outil électrique peut entraîner des blessures graves.

AVERTISSEMENT : si l'outil a chuté ou que vous pensez qu'il a été endommagé, procédez à un test de fonctionnement comme défini dans la section sélection du

mode du manuel. Si l'outil ne fonctionne pas tel que décrit dans le manuel, cessez toute utilisation et faites-le réparer dans un centre d'assistance DeWALT agréé.

Consigne de sécurité supplémentaire

AVERTISSEMENT : porter **SYSTEMATIQUEMENT** des lunettes de protection. Les lunettes courantes NE sont PAS des lunettes de protection. Utiliser aussi un masque antipoussières si la découpe doit en produire beaucoup. **PORTER SYSTEMATIQUEMENT UN ÉQUIPEMENT DE SÉCURITÉ HOMOLOGUÉ :**

- Protection oculaire ANSI Z87.1 (CAN/CSA Z94.3) ;
- Protection auditive ANSI S12.6 (S3.19) ;
- Protection des voies respiratoires NIOSH/OSHA/MSHA.

AVERTISSEMENT : les scies, meules, ponceuses, perceuses ou autres outils de construction peuvent produire des poussières contenant des produits chimiques reconnus par l'État californien pour causer cancers, malformations congénitales ou être nocifs au système reproducteur. Parmi ces produits chimiques, on retrouve :

- Le plomb dans les peintures à base de plomb ;
- La silice cristallisée dans les briques et le ciment, ou autres produits de maçonnerie ; et
- L'arsenic et le chrome dans le bois ayant subi un traitement chimique.

Le risque associé à de telles expositions varie selon la fréquence à laquelle on effectue ces travaux. Pour réduire toute exposition à ces produits : travailler dans un endroit bien aéré, en utilisant du matériel de sécurité homologué, tel un masque antipoussières spécialement conçu pour filtrer les particules microscopiques.

- **Limiter toute exposition prolongée avec les poussières provenant du ponçage, sciage, meulage, perçage ou toute autre activité de construction. Porter des vêtements de protection et nettoyer à l'eau savonneuse les parties du corps exposées.** Le fait de laisser la poussière pénétrer dans la bouche, les yeux ou la peau peut favoriser l'absorption de produits chimiques dangereux.

AVERTISSEMENT : cet outil peut produire et/ou répandre de la poussière susceptible de causer des dommages sérieux et permanents au système respiratoire. Utiliser systématiquement un appareil de protection des voies respiratoires homologué par le NIOSH ou l'OSHA. Diriger les particules dans le sens opposé au visage et au corps.

ATTENTION : après utilisation, ranger l'outil sur son côté, sur une surface stable, là où il ne pourra ni faire trébucher ni faire chuter quelqu'un. Certains outils équipés d'un large bloc-piles peuvent tenir à la verticale sur celui-ci, mais manquent alors de stabilité.

L'étiquette apposée sur votre outil peut inclure les symboles suivants. Les symboles et leur définition sont indiqués ci-après :

V.....volts	~ or AC.....courant alternatif
Hz.....hertz	~ or AC/DC.....courant alternatif ou continu
min.....minutes	☐.....fabrication classe II (double isolation)
— or DC.....courant continu	n ₀vitesse à vide
Ⓢ.....fabrication classe I (mis à la terre)	n.....vitesse nominale
.../min.....par minute	⊕.....borne de terre
BPM.....battements par minute	⚠.....symbole d'avertissement
IPM.....impacts par minute	☠.....radiation visible
RPM.....revolutions par minute	☑.....protection respiratoire
s/100m.....pieds linéaires par minute (plpm)	☑.....protection oculaire
SPM (FPM).....fréquence par minute	☑.....protection auditive
A.....ampères	📖.....lire toute la documentation
W.....watts	

BLOCS-PILES ET CHARGEURS

Le bloc-piles n'est pas totalement chargé d'usine. Avant d'utiliser le bloc-piles et le chargeur, lire les consignes de sécurité ci-après puis suivre la procédure de chargement indiquée. Pour commander un bloc-piles de rechange, s'assurer d'en inclure le numéro de catalogue et la tension.

Cet outil fonctionne avec un chargeur DeWALT. S'assurer de bien lire toutes les consignes de sécurité avant toute utilisation du chargeur. Consulter le tableau en fin de manuel pour connaître les compatibilités entre chargeurs et blocs-piles.

LIRE TOUTES LES CONSIGNES

Consignes importantes de sécurité les blocs-piles

AVERTISSEMENT : lire toutes les instructions et toutes les consignes de sécurité propres au bloc-piles, au chargeur et à l'outil électrique. Tout manquement aux avertissements et instructions pose des risques de décharges électriques, d'incendie et/ou de blessures graves.

- **Ne pas recharger ou utiliser un bloc-piles en milieu déflagrant, en présence, par exemple, de poussières, gaz ou liquides inflammables.** Le fait d'insérer ou retirer un bloc-piles de son chargeur pourrait causer l'inflammation de poussières ou d'émanations.
- **NE JAMAIS forcer l'insertion d'un bloc-piles dans un chargeur. NE modifier un bloc-piles d'AUCUNE façon pour le faire rentrer dans un chargeur incompatible, car il pourrait se briser et causer des dommages corporels graves.** Consulter le tableau en dernière page de ce manuel pour connaître les compatibilités entre chargeurs et blocs-piles.
- Recharger les blocs-piles exclusivement dans des chargeurs DeWALT.

- **NE PAS** éclabousser le bloc-piles ou l'immerger dans l'eau ou dans tout autre liquide.
- **Ne pas entreposer ou utiliser l'appareil et le bloc-piles en présence de températures ambiantes pouvant excéder 40 °C (104 °F) (comme dans des hangars ou des bâtiments métalliques l'été).** Pour préserver leur durée de vie, entreposer les blocs-piles dans un endroit frais et sec.

REMARQUE : ne pas mettre un bloc-piles dans un outil dont la gâchette est verrouillée en position de marche. Ne jamais bloquer l'interrupteur en position de MARCHÉ.

- **Ne pas incinérer le bloc-piles même s'il est sévèrement endommagé ou complètement usagé, car il pourrait exploser et causer un incendie.** Pendant l'incinération des blocs-piles au lithium-ion, des vapeurs et matières toxiques sont dégagées.
- **En cas de contact du liquide de la pile avec la peau, rincer immédiatement au savon doux et à l'eau.** En cas de contact oculaire, rincer l'œil ouvert à l'eau claire une quinzaine de minutes ou jusqu'à ce que l'irritation cesse. Si des soins médicaux s'avéraient nécessaires, noter que l'électrolyte de la pile est composé d'un mélange de carbonates organiques liquides et de sels de lithium.
- **Le contenu des cellules d'une pile ouverte peut causer une irritation respiratoire.** En cas d'inhalation, exposer l'individu à l'air libre. Si les symptômes persistent, consulter un médecin.

AVERTISSEMENT : risques de brûlure. Le liquide de la pile peut s'enflammer s'il est exposé à des étincelles ou à une flamme.

AVERTISSEMENT : risques d'incendie. Ne jamais tenter d'ouvrir le bloc-piles pour quelque raison que ce soit. Si le boîtier du bloc-piles est fissuré ou endommagé, ne pas l'insérer dans un chargeur. Ne pas écraser, laisser tomber, ou endommager les blocs-piles. Ne pas utiliser un bloc-piles ou un chargeur qui a reçu un choc violent, ou si l'appareil est tombé, a été écrasé ou endommagé de quelque façon que ce soit (p. ex. percé par un clou, frappé d'un coup de marteau, piétiné). Les blocs-piles endommagés doivent être renvoyés à un centre de réparation pour y être recyclés.

Transport

AVERTISSEMENT : risques d'incendie. Au moment de ranger ou transporter le bloc-piles, veiller à protéger ses bornes à découvert de tout objet métallique. Par exemple, éviter de placer le bloc-piles dans un tablier, une poche, une boîte à outils ou un tiroir, etc. contenant des objets tels que clous, vis, clés, etc. **Le fait de transporter des blocs-piles comporte des risques d'incendie, car les bornes des piles pourraient entrer, par inadvertance, en contact avec des objets conducteurs, tels que : clés, pièces de monnaie, outils ou autres.** La réglementation sur les produits dangereux (Hazardous Material Regulations) du département américain des transports interdit, en fait, le transport des blocs-piles dans les commerces ou dans les avions dans les bagages de cabine, À MOINS qu'ils ne soient correctement protégés de tout court-circuit. Aussi lors du transport individuel de blocs-piles, s'assurer que leurs bornes sont bien protégées et isolées de tout matériau pouvant entrer en contact avec elles et provoquer un court-circuit.

Expédition du bloc-piles DeWALT FLEXVOLT™

Le bloc-piles DeWALT FLEXVOLT™ possède deux modes : **Utilisation** et **Expédition**.

Mode Utilisation : lorsque le bloc-piles FLEXVOLT™ est par lui-même ou dans un produit DeWALT 20 v max*, il fonctionnera comme un bloc-piles de 20 v max*. Lorsque le bloc-piles FLEXVOLT™ est dans un produit de 60 v max* ou 120 v max* (deux blocs-piles de 60 v max*), il fonctionnera comme un bloc-piles de 60 v max*.

Mode Expédition : lorsque le capuchon est inséré sur le bloc-piles FLEXVOLT™, le bloc-piles est en mode Expédition. Les modules de cellules sont électriquement déconnectés du bloc le faisant correspondre à trois blocs-piles d'un wattheure (Wh) inférieur comparé à un bloc-piles de wattheure élevé. Ce passage à trois blocs-piles à un wattheure inférieur peut permettre au bloc-piles d'être exempté de suivre certaines directives d'expédition imposées sur les blocs-piles de wattheure supérieur.

L'étiquette du bloc-piles donne deux estimations de wattheures (se reporter à l'exemple). Selon comment le bloc-piles est expédié, l'estimation appropriée de wattheure doit être utilisée pour déterminer les modalités d'expédition lui correspondant. Si le capuchon d'expédition est utilisé, le bloc-piles sera considéré comme 3 blocs-piles au wattheure indiqué pour « Expédition ». S'il est expédié sans le capuchon ou dans un outil, le bloc-piles sera considéré comme un seul bloc-piles au wattheure indiqué à côté de « Utilisation ».

Exemple d'étiquetage d'utilisation et d'expédition

USE: 120 Wh Shipping: 3 x 40 Wh

Par exemple, le Wh de expédition pourra indiquer 3 x 40 Wh, ce qui correspond à 3 blocs-piles de 40 wattheures chacun. L'utilisation du Wh pourra indiquer 120 Wh (sous-entendu 1 bloc-piles).

Témoin de Charge du Bloc-Piles (Fig. B)

Certains blocs-piles DeWALT possèdent un témoin de charge qui consiste en trois voyants Del verts indiquant le niveau de charge du bloc-piles.

Le témoin de charge indique approximativement le niveau de charge restant dans le bloc-piles en fonction des voyants suivants :

 Chargé de 75–100 %

 Chargé de 51–74 %

 Chargé de < 50 %

 Le bloc-piles doit être rechargé

Pour activer le témoin de charge, maintenez appuyé le bouton du témoin de charge. Une combinaison des trois voyants Del verts s'allumera indiquant le niveau de charge. Lorsque le niveau de charge du bloc-pile atteint la limite minimale d'utilisation, le témoin de charge reste éteint et le bloc-piles doit être rechargé.

Fig. B



REMARQUE : le témoin de charge ne fait qu'indiquer le niveau de charge du bloc-piles. Il ne donne aucune indication quant au fonctionnement de l'outil. Son propre fonctionnement pourra aussi varier en fonction des composants produit, de la température et de l'application d'utilisation.

Pour plus d'informations quant au témoin de charge du bloc-piles, veuillez appeler le 1-800-4-DeWALT (1-800-433-9258) ou vous rendre sur notre site www.DeWALT.com.

Le sceau SRPRC®

Le sceau SRPRC® (Société de recyclage des piles rechargeables du Canada) apposé sur une pile au nickel-cadmium, à hydrure métallique de nickel ou au lithium-ion (ou un bloc-piles) indique que les coûts de recyclage de ces derniers en fin d'utilisation ont déjà été réglés par DeWALT. Dans certaines régions, la mise au rebut ou aux ordures municipales des piles au nickel-cadmium, à l'hydrure métallique de nickel ou au lithium-ion, est illégale ; le programme de l'Appel à Recycler® constitue donc une solution pratique et écologique.

Appel à Recycler Canada, Inc., en collaboration avec DeWALT et d'autres utilisateurs de piles, a mis sur pied de programme aux États-Unis et au Canada pour faciliter la collecte des piles au nickel-cadmium, à l'hydrure métallique de nickel ou au lithium-ion usagées. Aidez-nous à protéger l'environnement et à conserver nos ressources naturelles en renvoyant les piles au nickel-cadmium, à l'hydrure métallique de nickel ou au lithium-ion usagées à un centre de réparation autorisé DeWALT ou chez votre détaillant afin qu'elles y soient recyclées. On peut en outre se renseigner auprès d'un centre de recyclage local pour connaître d'autres sites les acceptant. SRPRC® est une marque déposée de l'Appel à Recycler Canada, Inc.



Directives de sécurité importantes propres à tous les chargeurs de piles

AVERTISSEMENT : lire toutes les instructions et toutes les consignes de sécurité propres au bloc-piles, au chargeur et à l'outil électrique. Tout manquement aux avertissements et instructions pose des risques de décharges électriques, d'incendie et/ou de blessures graves.

- **NE PAS tenter de charger de bloc-piles avec des chargeurs autres que ceux décrits dans ce manuel.** Le chargeur et son bloc-piles ont été conçus tout spécialement pour fonctionner ensemble.
- **Ces chargeurs n'ont pas été conçus pour une utilisation autre que recharger les blocs-piles rechargeables DeWALT.** Toute autre utilisation comporte des risques d'incendie, de chocs électriques ou d'électrocution.
- **Protéger le chargeur de la pluie ou de la neige.**
- **Tirer sur la fiche plutôt que sur le cordon pour débrancher le chargeur.** Cela permet de réduire les risques d'endommager la fiche ou le cordon d'alimentation.
- **S'assurer que le cordon est protégé de manière à ce que personne ne marche ni ne trébuche dessus, ou à ce qu'il ne soit ni endommagé ni soumis à aucune tension.**
- **N'utiliser une rallonge qu'en cas de nécessité absolue.** L'utilisation d'une rallonge inadéquate comporte des risques d'incendie, de chocs électriques ou d'électrocution.
- **Pour utiliser un chargeur à l'extérieur, le placer dans un endroit sec et utiliser une rallonge conçue pour l'extérieur.** L'utilisation d'une rallonge conçue pour l'extérieur réduit les risques de chocs électriques.
- **Pour la sécurité de l'utilisateur, utiliser une rallonge de calibre adéquat (AWG, American Wire Gauge [calibrage américain normalisé des fils électriques]).** Plus le calibre est petit, et plus sa capacité est grande. Un calibre 16, par exemple, a une capacité supérieure à un calibre 18. L'usage d'une rallonge de calibre insuffisant causera une chute de tension qui entraînera perte de puissance et surchauffe. Si plus d'une rallonge est utilisée pour obtenir une certaine longueur, s'assurer que chaque rallonge présente au moins le calibre de fil minimum. Le tableau ci-dessous illustre les calibres à utiliser selon la longueur de rallonge et l'intensité nominale indiquée sur la plaque signalétique. En cas de doute, utiliser le calibre suivant. Plus le calibre est petit, plus la rallonge peut supporter de courant.

Calibre minimum pour les cordons d'alimentation					
Volts		Longueur totale du cordon d'alimentation en mètre (pieds)			
120 V		7,6 (25)	15,2 (50)	30,5 (100)	45,7 (150)
240 V		15,2 (50)	30,5 (100)	61,0 (200)	91,4 (300)
Ampères		AWG			
Plus que	Pas plus que				
0	6	18	16	16	14
6	10	18	16	14	12
10	12	16	16	14	12
12	16	14	12	Non recommandé	

- **Ne poser aucun objet sur le chargeur. Ne pas mettre le chargeur sur une surface molle qui pourrait en bloquer la ventilation et provoquer une surchauffe interne.** Éloigner le chargeur de toute source de chaleur. Le chargeur dispose d'orifices d'aération sur le dessus et le dessous du boîtier.
- **Ne pas le faire fonctionner avec un cordon d'alimentation ou une fiche endommagée.**
- **Ne pas utiliser le chargeur s'il a reçu un coup, fait une chute ou a été endommagé de quelque façon que ce soit.** Le ramener dans un centre de réparation agréé.
- **Ne pas démonter le chargeur. Pour tout service ou réparation, le rapporter dans un centre de réparation agréé.** Le fait de le réassembler de façon incorrecte comporte des risques de chocs électriques, d'électrocution et d'incendie.
- **Débrancher le chargeur du secteur avant tout entretien. Cela réduira tout risque de chocs électriques.** Le fait de retirer le bloc-piles ne réduira pas ces risques.
- **NE JAMAIS** tenter de connecter 2 chargeurs ensemble.
- **Le chargeur a été conçu pour être alimenté en courant électrique domestique standard de 120 volts. Ne pas tenter de l'utiliser avec toute autre tension.** Cela ne s'applique pas aux chargeurs de postes mobiles.

AVERTISSEMENT : risques de chocs électriques. Ne laisser aucun liquide pénétrer dans le chargeur, des chocs électriques pourraient en résulter.

AVERTISSEMENT : risques de brûlure. Ne submerger le bloc-piles dans aucun liquide et le protéger de toute infiltration de liquide. Ne jamais tenter d'ouvrir le bloc-piles pour quelque raison que ce soit. Si le boîtier plastique du bloc-piles est brisé ou fissuré, le retourner dans un centre de réparation pour y être recyclé.

ATTENTION : risques de brûlure. Pour réduire tout risque de dommages corporels, ne recharger que des blocs-piles rechargeables DeWALT. Tout autre type de piles pourrait exploser et causer des dommages corporels et matériels.

AVIS : sous certaines conditions, lorsque le chargeur est connecté au bloc d'alimentation, des matériaux étrangers pourraient court-circuiter le chargeur. Les corps étrangers conducteurs tels que (mais pas limité à) poussières de rectification, débris métalliques, laine d'acier, feuilles d'aluminium, ou toute accumulation de particules métalliques doivent être maintenus à distance des orifices du chargeur. Débrancher systématiquement le chargeur lorsque le bloc-piles n'y est pas inséré. Débrancher systématiquement le chargeur avant tout entretien.

Homologation du matériel sans fil et informations sécurité

- Cet appareil est conforme à la norme CAN ICES-3(B)/NMB-3(B).
- Cet appareil est conforme au paragraphe 15 du règlement du FCC et à la (aux) norme(s) RSS exempté(s) de licence d'Industrie Canada. Son utilisation est sujette aux deux conditions suivantes :
 - Ce dispositif ne doit pas causer d'interférences nuisibles; et
 - Ce dispositif doit accepter toute interférence reçue, y compris toute interférence pouvant causer un fonctionnement indésirable.

Cet équipement a été testé et jugé conforme aux limites propres aux appareils numériques de Classe B, conformément au Paragraphe 15 du règlement du FCC. Ces limites sont destinées à offrir une protection raisonnable contre les interférences nuisibles d'une installation résidentielle. Cet équipement produit, utilise et peut émaner des ondes radiofréquences qui, s'il n'est pas installé et utilisé conformément aux directives, pourront causer des interférences nuisibles aux communications radio. Cependant, en fonction des installations réalisées, l'absence d'interférences n'est pas garantie. Si cet équipement cause des interférences nuisibles à la réception radio ou télévision (ce qui peut être déterminé par la mise sous/hors tension de cet équipement) l'utilisateur est encouragé à tenter de corriger ces interférences en prenant l'une ou plusieurs des mesures suivantes :

- Réorienter l'antenne de réception ou en changer l'emplacement.
- Augmenter la distance entre l'équipement et le récepteur.
- Brancher l'équipement à une prise située sur un circuit différent de celui sur lequel le récepteur est connecté.
- Contacter un revendeur ou consulter un technicien radio/télé qualifié.
- Tout changement ou toute modification à l'appareil qui ne serait pas expressément approuvé par le fabricant pourra annuler les droits de l'utilisateur à employer cet équipement. Cet appareil numérique de Classe B est conforme aux normes canadiennes ICES-003.
- Conformément aux réglementations d'Industrie Canada, cet émetteur radio ne peut fonctionner qu'avec une antenne dont le type et le gain maximal (ou d'une valeur moindre) sont homologués par Industrie Canada pour cet émetteur. Pour réduire toute interférence radio potentielle pouvant affecter les autres utilisateurs, le type d'antenne et ses gains devraient être choisis de façon à ce que la puissance isotrope rayonnée équivalente ne soit pas supérieure aux limites permettant la communication.

- Pour être conforme aux limites d'irradiations RF pour la population en général du FCC et d'Industrie Canada, l'antenne utilisée avec cet appareil ne doit pas être placée ou utilisée conjointement avec tout autre émetteur ou toute autre antenne.

Pour les produits Bluetooth^{MD}

- Avant de voyager en avion, s'assurer de suivre les restrictions des compagnies aériennes quant à l'utilisation d'appareils électroniques et Bluetooth^{MD} personnels.
- La fonctionnalité d'alarme hors plage a été conçue pour servir à aider à alerter en cas de perte ou vol de produits. Ce n'est pas un système de sécurité.
- La plage de connectivité peut aller jusqu'à 30,5 meters (100 pieds) en fonction de l'environnement et des lieux.
- Les signaux de radiofréquences ondes courtes d'un appareil Bluetooth^{MD} pourront affecter les opérations d'autres appareils électroniques ou médicaux (comme les stimulateurs cardiaques ou les appareils acoustiques).

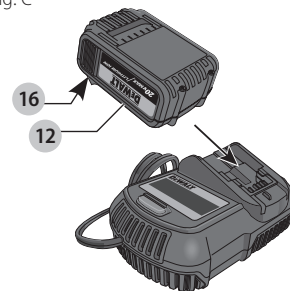
REMARQUE : le terme et les logos Bluetooth^{MD} sont des marques déposées appartenant à Bluetooth^{MC}, SIG, Inc. et toute utilisation de ces marques par DeWALT est autorisée par licence. Toute autre marque de commerce et appellation commerciale reste la propriété de leurs propriétaires respectifs.

Ce produit est conforme à ces standards lorsqu'il est utilisé avec un cordon de 1 m 80 (6 pi) ou moins.

Chargement du bloc-piles (Fig. C)

1. Branchez le chargeur dans la prise appropriée avant d'y insérer le bloc-piles.

Fig. C



2. Insérer le bloc-piles **12** dans le chargeur, en vous assurant qu'il y est correctement calé. Le voyant rouge (charge) clignotera de façon continue indiquant que le cycle de chargement a commencé.
3. En fin de charge, le voyant rouge restera ALLUMÉ de façon continue. Le bloc-piles est alors complètement rechargé et peut être utilisé ou laissé dans le chargeur. Pour retirer le bloc-piles du chargeur, appuyez sur le bouton de libération du bloc-piles **16** sur le bloc-piles.

REMARQUE : pour assurer des performances optimales et une durée de vie maximale des blocs-piles au lithium-ion, recharger pleinement le bloc-piles avant toute utilisation initiale.

Utilisation du chargeur

Reportez-vous aux indications du tableau ci-dessous pour consulter le statut de charge du bloc piles.

DCB107, DCB112, DCB113, DCB115, DCB118, DCB132	
	Bloc-piles en Cours de Chargement
	Bloc-piles Chargé
	Suspension de Charge Contre le Chaud/Froid*

*DCB107, DCB112, DCB113, DCB115, DCB118, DCB132: le voyant rouge ne cessera de clignoter, mais un voyant jaune restera allumé pendant cette opération. Lorsque le bloc-piles aura repris une température appropriée, le voyant jaune s'éteindra et le chargeur reprendra sa procédure de charge.

Le chargeur ne pourra recharger des blocs-piles défectueux. Le chargeur indiquera qu'un bloc-piles est défectueux en refusant de s'allumer ou en affichant bloc-piles ou chargeur défectueux.

REMARQUE : cela pourra aussi indiquer un problème avec le chargeur.

Si le problème provient du chargeur, faites vérifier le chargeur et le bloc-piles chez un centre de réparation agréé.

Fonction de suspension de charge contre le chaud/froid

Lorsque le chargeur détecte un bloc-piles trop chaud ou trop froid, il démarre automatiquement la fonction de suspension de charge contre le chaud, suspendant le chargement jusqu'à ce que le bloc-piles ait repris une température appropriée. Le chargeur ensuite se remettra automatiquement en mode de chargement. Cette caractéristique assure aux blocs-piles une durée de vie maximale.

Un bloc-piles froid se rechargera moins vite qu'un bloc-piles chaud. Le bloc-piles se rechargera à ce rythme plus lent tout au cours du cycle de charge et ne retournera pas à sa vitesse maximale de charge même s'il venait à se réchauffer.

Le chargeur DCB118 est équipé d'un ventilateur interne destiné à refroidir le bloc-piles. Le ventilateur se mettra automatiquement en marche chaque fois que le bloc-piles aura besoin de se refroidir.

N'utilisez jamais le chargeur si le ventilateur ne fonctionne pas correctement ou si ses fentes d'aération sont bloquées. Protégez systématiquement l'intérieur du chargeur de tout objet étranger.

Système de protection électronique

Les appareils au Li-Ion sont équipés d'un système électronique de protection pour protéger les blocs-piles de toute surcharge, surchauffe ou fuite importante.

L'appareil s'arrêtera automatiquement dès que le système électronique de protection sera activé. Si c'était le cas, placez le bloc-piles au lithium-ion sur son chargeur jusqu'à ce qu'il soit complètement rechargé.

Installation murale

DCB107, DCB112, DCB113, DCB115, DCB118, DCB132

Ces chargeurs ont été conçus pour une installation murale ou pour être posés sur une table ou une surface de travail. Pour une fixation murale, installez le chargeur à proximité d'une prise électrique, et à l'écart de coins ou de toute autre obstruction au passage de l'air. Utilisez l'arrière du chargeur pour marquer l'emplacement des vis de montage sur le mur. Fixez soigneusement le chargeur à l'aide de vis autoforeuses (vendues séparément) d'au moins 25,4 mm (1 po) de long, et de diamètre de tête de 7–9 mm (0,28–0,35 po), que vous visserez dans le bois en laissant une longueur optimale d'environ 5,5 mm (7/32 po) exposée. Alignez les orifices à l'arrière du chargeur sur les vis exposées et insérez à fond ces dernières dans les orifices.

Instructions d'entretien du chargeur

AVERTISSEMENT : *risques de chocs électriques. Débrancher le chargeur de la prise de courant alternatif avant tout entretien. Éliminer toute saleté ou graisse de la surface externe du chargeur à l'aide d'un chiffon ou d'une brosse non métallique douce. N'utiliser ni eau ni aucun nettoyeur liquide.*

Remarques importantes concernant le chargement

- Pour augmenter la durée de vie du bloc-piles et optimiser son rendement, le recharger à une température ambiante de 18 ° à 24 °C (65 °F à 75 °F). NE PAS recharger le bloc-piles à une température inférieure à + 4,5 °C (+ 40 °F) ou supérieure à + 40 °C (+ 104 °F). C'est important pour prévenir tout dommage sérieux au bloc-piles.
- Le chargeur et son bloc-piles peuvent devenir chauds au toucher pendant la charge. C'est normal et ne représente en aucun cas une défaillance du produit. Pour faciliter le refroidissement du bloc-piles après utilisation, éviter de laisser le chargeur ou le bloc-piles dans un local où la température ambiante est élevée comme dans un hangar métallique ou une remorque non isolée.
- Si le bloc-piles ne se recharge pas correctement :
 - Vérifier le bon fonctionnement de la prise en y branchant une lampe ou tout autre appareil électrique.
 - Vérifier que la prise n'est pas contrôlée par un interrupteur qui coupe le courant lorsqu'on éteint les lumières.
 - Déplacer le chargeur et le bloc-piles dans un local où la température ambiante se trouve entre environ 18 ° et 24 °C (65 °F et 75 °F).
 - Si le problème persiste, amener l'outil, le bloc-piles et son chargeur dans un centre de réparation local.
- Recharger le bloc-piles lorsqu'il ne produit plus assez de puissance pour effectuer un travail qu'il faisait facilement auparavant. NE PAS CONTINUER à l'utiliser dans ces conditions. Suivre la procédure de charge. Si nécessaire, il est aussi possible de recharger un bloc-piles partiellement déchargé sans effet nuisible sur le bloc-piles.
- Les corps étrangers conducteurs tels que (mais pas limité à) poussières de rectification, débris métalliques, laine d'acier, feuilles d'aluminium, ou toute accumulation de particules métalliques doivent être maintenus à distance des orifices du chargeur. Débrancher systématiquement le chargeur lorsque le bloc-piles n'y est pas inséré. Débrancher systématiquement le chargeur avant tout entretien.
- Ne pas congeler ou immerger le chargeur dans l'eau ou tout autre liquide.

Recommandations de stockage

- Le lieu idéal de rangement est un lieu frais et sec, à l'abri de toute lumière solaire directe et de toute température excessive.
- Pour un stockage prolongé, il est recommandé d'entreposer le bloc-piles pleinement chargé dans un lieu frais et sec, hors du chargeur pour optimiser les résultats.

REMARQUE : les blocs-piles ne devraient pas être entreposés complètement déchargés. Il sera nécessaire de recharger le bloc-piles avant réutilisation.

CONSERVER CES CONSIGNES POUR UTILISATION ULTÉRIEURE

DESCRIPTION (FIG. A)

AVERTISSEMENT : *ne jamais modifier l'outil électrique ni aucun de ses composants, car il y a risques de dommages corporels ou matériels.*

Reportez-vous en Figure A au début de ce manuel pour obtenir la liste complète des composants.

Caractéristiques de l'outil	
Mode de tir	Séquentiel ou RapidCycle ^{MC}
Tension	20
Hauteur	346 mm (13,5 po)
Largeur	104 mm (4 po)
Longueur	335 mm (13,25 po)
Poids	3,629 kg (8,0 lb)
Angle du chargeur	33°
Capacité du chargeur	jusqu'à 29 clous

Caractéristiques des clous	
Longueur de clou	38,1 mm – 63,5 mm (1–1/2 po – 2–1/2 po)
Diamètres de tige	3,3 mm – 4,1 mm (1,31 po – 1,62 po)
Angle des barrettes de clous	30° – 35°

Usage Prévu

La cloueuse à raccords métalliques DCN693 a été conçue **EXCLUSIVEMENT** pour fixer de la quincaillerie métallique sur des matériaux de construction en bois. Cet outil possède deux modes de fonctionnement, un mode de fonctionnement séquentiel et un mode de fonctionnement unique, séquentiel rapide (RapidCycle^{MC}). Lisez la section du manuel de l'utilisateur, « **Sélection du mode** », avant d'utiliser l'outil pour vous assurer de choisir le mode adapté à votre application.

AVERTISSEMENT : *utilisez seulement des attaches pour connecteurs en métal avec cet outil, les autres types d'attaches peuvent endommager la plaque des connecteurs ou dévier causant une blessure.*

NE PAS les utiliser en milieu ambiant humide ou en présence de liquides ou de gaz inflammables.

Seules les attaches recommandées par le fabricant de matériel de raccords métalliques, remplissant la réglementation en vigueur des codes du bâtiment doivent être utilisées avec cet outil pour installer des raccords métalliques.

Cet outil a été conçu pour les professionnels de la construction. **NE PAS** le laisser à la portée des enfants. Une supervision est nécessaire auprès de tout utilisateur non expérimenté.

Mécanisme de prévention des déclenchements à vide

Le cloueur est équipé d'un mécanisme de prévention des déclenchements à vide pour empêcher le déclenchement de l'outil lorsque son magasin est presque vide. L'outil cessera de fonctionner lorsqu'il ne restera plus que 7–9 clous dans le magasin. Reportez-vous à la section **Chargement de l'outil** pour réinstaller une barrette de clous en bande soudés.

UTILISATION

AVERTISSEMENT : *lire la section intitulée Consignes de sécurité propres aux cloueurs au début de ce guide d'utilisation. Porter systématiquement des lunettes de protection pendant l'utilisation de cet outil. Maintenir le cloueur pointé dans la direction opposée à l'utilisateur et à tout individu présent. Pour votre protection, compléter la procédure et les vérifications ci-après avant toute utilisation du cloueur.*

- Porter systématiquement une protection oculaire, antibruit et des voies respiratoires adéquates.
- Retirer le bloc-piles de l'outil.
- Verrouiller le poussoir en position arrière et retirer les bandes de clous du magasin.
- Vérifier que le déclencheur par contact et le dispositif du poussoir fonctionnent correctement et librement. Ne pas utiliser l'outil si ces dispositifs ne fonctionnent pas correctement. **NE JAMAIS** utiliser un outil dont le déclencheur par contact est bloqué en position supérieure.
- NE JAMAIS** utiliser un outil comportant des pièces endommagées.

AVERTISSEMENT : *pour réduire tout risque de dommages corporels, déconnecter le bloc-piles de l'outil avant d'effectuer toute maintenance, désenrayer des clous, quitter l'aire de travail, déplacer l'outil sur un lieu différent ou donner l'outil à un tiers.*

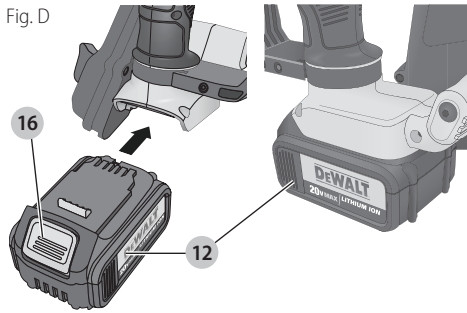
AVERTISSEMENT : *si l'outil a chuté ou que vous pensez qu'il a été endommagé, procédez à un test de fonctionnement comme défini dans la section Sélection du mode du manuel. Si l'outil ne fonctionne pas tel que décrit dans le manuel, cessez toute utilisation et faites-le réparer dans un centre d'assistance DeWALT agréé.*

Installation et retrait du bloc-piles (Fig. D)

REMARQUE : pour des résultats optimaux, s'assurer que le bloc-piles est complètement chargé.

Pour installer le bloc-piles **12** dans la poignée de l'outil, alignez le bloc-piles sur les rails dans la poignée de l'outil et faites-le glisser fermement en place puis vérifiez qu'il ne s'en détachera pas.

Pour retirer le bloc-piles de l'outil, poussez sur le bouton de libération **16** et tirez fermement le bloc-piles hors de la poignée de l'outil. Insérez-le dans son chargeur comme décrit dans la section appropriée de ce manuel.



AVIS : ne pas entreposer l'outil avec son bloc-piles installé. Pour ne pas endommager les bloc-piles et préserver leur durée de vie, les entreposer hors de l'outil ou du chargeur dans un endroit frais et sec.

Préparation de l'outil



AVIS : NE JAMAIS pulvériser ou appliquer un lubrifiant ou des solvants pour le nettoyage, d'une façon ou d'une autre, à l'intérieur de l'outil. Cette pratique peut nuire sérieusement à la durée de vie et au rendement de l'outil.

REMARQUE : le bloc-piles n'est pas totalement chargé d'usine. Suivre les instructions indiquées (se reporter à la section **Chargement d'une batterie**).

1. Lire la section **Consignes de sécurité propres aux cloueurs de ce guide d'utilisation**.
2. Porter une protection oculaire et auditive.
3. Retirer le bloc-piles de l'outil.
4. S'assurer que le chargeur a été vidé de toutes ses attaches.
5. Vérifier que le déclencheur par contact et le dispositif du poussoir fonctionnent correctement et librement. Ne pas utiliser l'outil si ses dispositifs ne fonctionnent pas correctement. Ne **JAMAIS** utiliser un outil dont le déclencheur par contact est bloqué en position activée.
6. Maintenir l'outil pointé dans la direction opposée à soi-même et à tout individu présent.
7. Insérer le bloc-piles pleinement chargé.

Utilisation du verrouillage de gâchette (Fig. E)



AVERTISSEMENT : pour réduire tout risque de dommages corporels graves, ne plus appuyer sur la gâchette lorsque l'outil n'est pas utilisé. Laisser le verrouillage de gâchette **VERROUILLÉ** (Fig. E) hors utilisation de l'outil.



AVERTISSEMENT : pour réduire tout risque de dommages corporels graves, verrouiller la gâchette, déconnecter le bloc-piles de l'outil et retirer les clous du magasin avant tout réglage.

Chaque cloueur DeWALT est équipé d'un verrouillage de gâchette **2** qui lorsqu'il est poussé sur la droite, comme illustré en figure E, empêche l'outil de tirer un clou en verrouillant la gâchette et en dérivant la puissance moteur.

Lorsque le verrouillage de gâchette sera poussé sur la gauche, l'outil sera pleinement opérationnel. Le verrouillage de gâchette devrait systématiquement être verrouillé (Fig. E) chaque fois qu'un réglage est effectué ou que l'outil est hors utilisation immédiate.

AVIS : ne pas entreposer l'outil avec son bloc-piles installé. Pour ne pas endommager les bloc-piles et préserver leur durée de vie, les entreposer hors de l'outil ou du chargeur dans un endroit frais et sec.

Chargement de l'outil (Fig. A, F)



AVERTISSEMENT : maintenir l'outil pointé dans la direction opposée à vous-même et à tout individu présent,



AVERTISSEMENT : ne jamais charger de clous si le déclencheur par contact ou la gâchette est activé,



AVERTISSEMENT : retirer systématiquement le bloc-piles avant de charger ou décharger les clous



ATTENTION : pour prévenir tout risque de dommages corporels, maintenir les doigts à l'écart du rail du verrou à glissière.



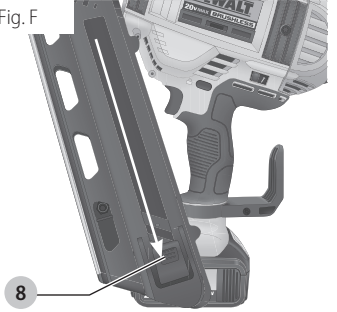
AVERTISSEMENT : le verrouillage de gâchette devrait systématiquement être activé chaque fois qu'un réglage est effectué ou que l'outil est hors utilisation immédiate.



AVERTISSEMENT : les attaches utilisées pour installer les raccords métalliques doivent remplir la réglementation en vigueur des codes du bâtiment et doivent être installées conformément à cette réglementation et aux spécifications du fournisseur de raccords métalliques. Le fait de ne pas installer correctement les raccords pose des risques de défaillances structurales.

1. Tournez le cloueur à l'envers.
2. Poussez le verrou à glissière à ressort **8** vers la base du magasin pour le verrouiller en place.
3. Insérez les bandes de clous dans le chargeur du magasin, en vous assurant que les têtes de clou s'alignent correctement sur la fente d'ouverture. (Reportez-vous à la section **Caractéristiques des clous** pour déterminer les compatibilités de taille.
4. Tout en protégeant les doigts du rail, fermez le magasin en libérant le verrou à glissière. Laissez, en prenant des précautions, le verrou glisser vers l'avant et s'enclencher sur la bande de clous.

Fig. F



Déchargement de l'outil



AVERTISSEMENT : le verrouillage de gâchette devrait systématiquement être verrouillé chaque fois qu'un réglage est effectué ou que l'outil est hors utilisation.

1. Poussez le verrou à glissière à ressort vers la base du magasin pour le verrouiller en place.
2. Inclinez l'outil vers le haut jusqu'à ce que la bande d'attaches sorte librement du magasin.

REMARQUE : si des clous restent bloqués, appuyer sur le levier de support de clou **14**.

3. Alors que le bloc-piles est retiré, vérifiez que le nez ne comporte aucun clou.

REMARQUE : l'outil est équipé d'un aimant dans la région du nez pour optimiser ses performances. Au moment du déchargement, vérifiez systématiquement que des petits groupes de clous ne sont pas maintenus par le nez magnétisé.

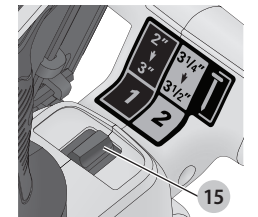
Réglage de la longueur de clou (Fig. G)

Cette cloueur est équipée d'un sélecteur de longueur de clou **15** situé sur le pied.

- Pour les clous les plus courts, choisissez la vitesse 1 en réglant l'interrupteur sur la position la plus à gauche.
- Pour les clous les plus longs et les applications plus intensives, choisissez la vitesse 2 en réglant l'interrupteur sur la position la plus à droite.

Dans l'éventualité où les clous ne seraient pas enfoncés à la profondeur voulue sur la vitesse 1, il pourra s'avérer nécessaire de passer à la vitesse 2 pour plus de puissance.

AVIS : Tirer des clous d'une longueur de moins de 2 po (50,8 mm) à l'aide du réglage de vitesse 2 causera l'usure excessive de votre outil et peut entraîner des défaillances précoces et/ou des dommages.



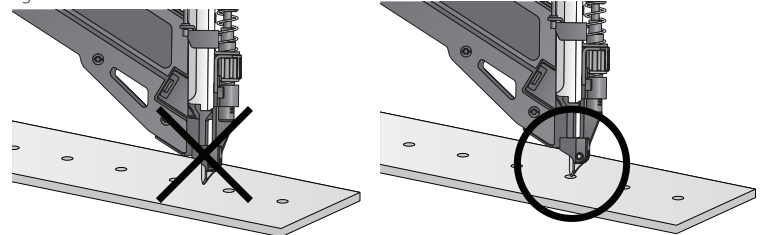
Réglage de la vitesse	Avantage	Longueur typique de clou
2	Puissance pour enfoncer des clous plus longs	6,35 mm (2 1/2 po)
1	Augmente la durée de vie de l'outil, augmente la durée d'utilisation du bloc-piles, augmente la vitesse de déclenchement	3,81 mm (1 1/2 po)

Activation/déclenchement de l'outil (Fig. A, H, I)



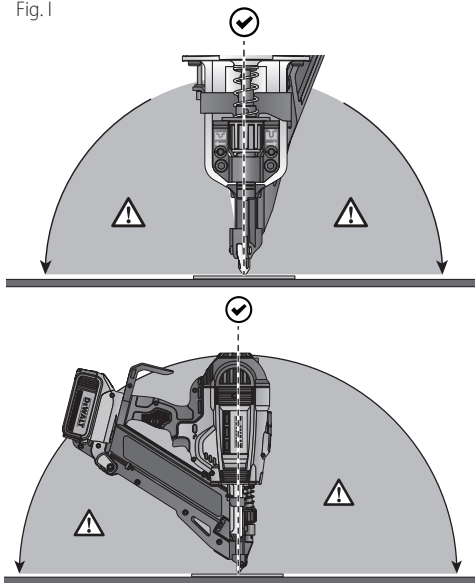
AVERTISSEMENT : les clous à raccords métalliques n'ont pas été conçus pour pénétrer le métal. Pour poser des raccords métalliques, placez **SYSTÉMATIQUEMENT** l'extrémité exposée de l'embout à raccord métallique **13** dans le trou préformé du raccord métallique, puis orientez le clou perpendiculairement au trou avant de tenter de l'enfoncer. Reportez-vous en Figure H.

Fig. H



AVERTISSEMENT : les attaches doivent être enfoncées droites dans le matériau. Ne pas incliner la cloueur pendant que vous enfoncez les attaches. Les attaches qui ne sont pas enfoncées droites peuvent dévier, causant une blessure. Consultez la Fig. I.

Fig. I



L'outil peut être déclenché/activé en poussant la gâchette 1 sur l'un des deux modes : mode séquentiel ou mode RapidCycle^{MC}. Reportez-vous à la section **Sélection du mode** pour des instructions détaillées sur le déclenchement dans chacun des modes.

Sélection du mode (Fig. A)

AVERTISSEMENT : porter systématiquement une protection oculaire [ANSI Z87.1 (CAN/CSA Z94.3)] et une protection auditive [ANSI S12.6 (S3.19)] adéquates lors de l'utilisation de cet outil.

Pour choisir le mode séquentiel standard, poussez le sélecteur de mode 9 pour afficher l'icône de flèche unique ◀.

Pour choisir le mode de fonctionnement séquentiel rapide (RapidCycle^{MC}), < poussez le sélecteur de mode 9 pour afficher l'icône de flèche double ◀◀.

REMARQUE : la durée d'utilisation du bloc-piles sera plus courte en mode RapidCycle^{MC} qu'en mode séquentiel standard. Laisser l'outil en mode séquentiel standard optimisera la durée d'utilisation du bloc-piles.

Mode séquentiel

Le mode séquentiel est utilisé pour le tir intermittent. Il optimise la durée d'utilisation du bloc piles.

1. À l'aide du sélecteur de mode 9, sélectionnez le mode séquentiel.
2. Libérez le verrouillage de sécurité de la gâchette 2.
3. Appuyez le déclencheur par contact 6 contre la surface à travailler.
4. Appuyez sur la gâchette 1 pour activer l'outil.
5. Relâchez la gâchette et retirez la cloueuse de la surface de travail.
6. Répétez les étapes 3–5 pour tirer le prochain clou.

Mode Rapidcycle^{MC}

En mode RapidCycle^{MC}, la vitesse de rotation du moteur est automatiquement restaurée une fois le clou enfoncé pour permettre un clouage consécutif rapide. Bien qu'il permette de planter plus de clous en moins de temps, ce mode décharge le bloc-piles plus rapidement.

1. À l'aide du sélecteur de mode 9, sélectionnez le mode RapidCycle^{MC}.
2. Libérez le verrouillage de sécurité de la gâchette 2.
3. Appuyez le déclencheur par contact 6 contre la surface à travailler.
4. Appuyez sur la gâchette 1 pour activer l'outil.
5. Relâchez la gâchette et retirez la cloueuse de la surface de travail. **REMARQUE :** le moteur de l'outil tournera à nouveau automatiquement à plein régime sans avoir à appuyer sur le déclencheur par contact 6.
6. Répétez les étapes 3–5 pour tirer le prochain clou.

Réglage de profondeur (Fig. J)

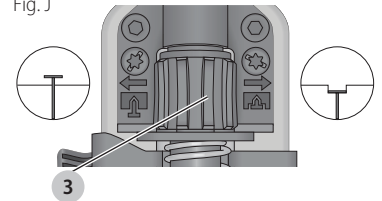
La profondeur à laquelle un clou est enfoncé peut être réglée à l'aide de la molette de réglage de profondeur 3 sur le nez de l'outil.

AVERTISSEMENT : pour réduire tout risque de dommages corporels graves causés par un fonctionnement accidentel de l'appareil lors du réglage de profondeur, **SYSTÉMATIQUEMENT :**

- Retirer le bloc-piles;
- Enclencher le verrouillage de gâchette;
- Pointer le nez du cloueur à l'opposé de vous-même;
- Éviter tout contact avec la gâchette pendant le réglage.

1. Pour enfoncer le clou moins profondément, tournez la molette de réglage de profondeur 3 vers la gauche, vers l'icône de clou court.
2. Pour enfoncer un clou plus profondément, tournez la molette de réglage de profondeur 3 vers la droite, vers l'icône de clou long.

Fig. J



Voyant DEL (Fig. A)

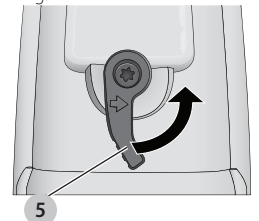
Il existe un voyant DEL 4 à l'arrière de l'outil juste sous le capuchon arrière.

		PILE FAIBLE Remplacer le bloc-piles par un bloc-piles chargé.
		BLOC-PILES CHAUD Laisser le bloc-piles refroidir ou le remplacer par un bloc-piles froid.
		PROBLÈME DE GRIPPAGE/ENRAYAGE Tourner le levier de désenrayage pour libérer le blocage. Se reporter à la section Désenrayage .
		OUTIL CHAUD Laisser l'outil refroidir avant de continuer son utilisation.
		ERREUR Réinitialiser l'outil en retirant puis réinsérant le bloc-piles ou en activant/désactivant le verrouillage de gâchette. Si le code d'erreur persiste, ramener l'outil chez un centre de réparation agréé DeWALT.

Désenrayage (Fig. K)

Si la cloueuse est utilisée sur des bois durs où toute la puissance disponible du moteur est utilisée pour enfoncer un clou, l'outil pourra caler. La lame de l'enfonceur n'aura alors pas complété son cycle et le voyant grippage/enrayage clignotera. Tournez alors le levier de désenrayage 5 de l'outil et le mécanisme sera libéré. **REMARQUE :** l'outil cessera de fonctionner tout seul et ne se réinitialisera pas tant que le bloc-piles ne sera pas retiré puis réinséré. Si la lame de l'enfonceur ne retourne pas automatiquement sur sa position de départ, reportez-vous à la section **Désenrayage de clou**. Si l'appareil continue de caler, veuillez vérifier le matériau et la longueur des attaches pour vous assurer que l'application n'est pas trop intensive.

Fig. K



Désenrayage de clou (Fig. A, L)

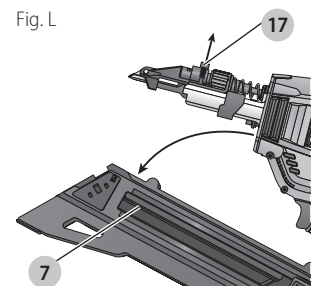
AVERTISSEMENT : pour réduire le risque de blessures, éteindre l'appareil et le débrancher avant d'installer ou de retirer tout accessoire et avant d'effectuer des réglages ou des réparations. Un démarrage accidentel peut provoquer des blessures.

ATTENTION : lorsque l'on retire un clou enrayé, NE PAS orienter la cloueuse avec son nez ou le pied du bloc-piles vers le haut. Cette position de la cloueuse pourrait faire que le clou enrayé ou ses morceaux pourraient tomber à l'intérieur de la cloueuse. Si une portion du clou est prise dans l'outil, le clou doit être retiré en enlevant le capuchon supérieur.

AVERTISSEMENT : Si un clou venait à s'enrayer dans l'embout, maintenez l'outil pointé à l'opposé de soi et suivre les instructions ci-après pour le décoincer :

1. Retirez le bloc-piles de l'outil et enclenchez le verrouillage de gâchette.
2. Après avoir posé l'outil sur son côté, poussez le verrou à glissière à ressort 8 vers la base du chargeur pour le verrouiller en place puis enlevez la bande de clous. **REMARQUE :** si des clous restent bloqués, appuyer sur le levier de support de clous 14.

Fig. L



- À l'aide de l'outil hexagonal **11** fourni avec l'outil, desserrez les deux boulons hexagonaux **17** sur le dessus du magasin.
- Tournez le magasin **7** vers l'avant.
- Retirez le clou tordu/enrayé à l'aide d'une pince, le cas échéant.

ATTENTION : si une portion du clou venait à tomber dans l'outil, le retirer en enlevant le couvercle supérieur.

- Si la lame de l'enfonceur est en position inférieure, tournez le levier de désenrayage sur le dessus du cloueur.
- REMARQUE :** si la lame de l'enfonceur ne se réinitialise pas après avoir fait tourner le levier de désenrayage, il pourra s'avérer nécessaire de réinitialiser manuellement la lame avec un long tournevis.
- Retournez le magasin dans sa position de base, sous le nez de l'outil, puis resserrez les boulons hexagonaux.
- Réinsérez le bloc-piles
- REMARQUE :** l'outil cessera de fonctionner tout seul et ne se réinitialisera pas tant que le bloc-piles ne sera pas retiré puis réinséré.
- Réinsérez les clous dans le magasin (se reporter à la section **Chargement de l'outil**).
- Libérez le verrou à glissière.
- Désactivez le verrouillage de gâchette lorsque vous êtes prêt à continuer le clouage.

REMARQUE : si les clous s'enrayent fréquemment ou si la lame de l'enfonceur est continuellement incapable de se réinitialiser, veuillez faire réparer l'outil chez un centre de réparation DeWALT agréé.

Utilisation par temps froids

Lorsqu'on utilise l'outil à des températures en dessous de zéro :

- Maintenez l'outil au chaud autant que possible avant utilisation.
- Faites fonctionner l'outil 10–15 fois dans un rebut de bois avant utilisation.

Utilisation par temps chauds

L'outil devrait fonctionner normalement. Cependant, maintenez l'outil à l'abri de la lumière directe du soleil, car toute chaleur excessive pourra détériorer les pare-chocs et toute autre pièce en caoutchouc, ce qui augmenterait ses besoins de maintenance.

Crochet de chevron rotatif (Fig. M)

AVERTISSEMENT : ne jamais utiliser de crochet pour suspendre l'outil à la ceinture ou à tout autre vêtement à moins que l'outil ne soit en mode de tir séquentiel.

AVERTISSEMENT : retirer les clous du chargeur avant réglage ou réparation de l'outil. Le non-respect de cette mesure de sécurité pourrait se solder par une blessure grave.

ATTENTION : après utilisation, ranger l'outil sur son côté, sur une surface stable, là où il ne pourra ni faire trébucher ni faire chuter quelqu'un.

ATTENTION : certains outils équipés d'un large bloc-piles peuvent tenir à la verticale sur celui-ci mais manquent alors de stabilité.

Le cloueur sans fil DeWALT inclut un crochet à chevron **10** qui peut être facilement positionné à la droite ou à la gauche de l'outil pour accommoder un gaucher ou un droitier.

Si l'utilisation d'un crochet n'est pas désirée, le crochet peut être tourné vers l'avant ou l'arrière de la base de la poignée.

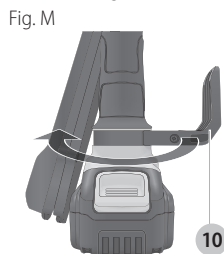


Fig. M

MAINTENANCE

AVERTISSEMENT : pour réduire le risque de blessures graves, éteindre l'outil et retirer le bloc-piles avant d'effectuer tout réglage et d'enlever ou d'installer tout accessoire. Un démarrage accidentel peut provoquer des blessures.

Tableau de maintenance quotidienne

ACTION	Nettoyer le chargeur, le poussoir et le mécanisme de déclenchement par contact.
POURQUOI	Permet un fonctionnement en souplesse du chargeur, réduit l'usure et prévient les coincements.
COMMENT LE FAIRE :	Envoyer de l'air comprimé dans l'outil est le moyen le plus efficace de le nettoyer. L'utilisation périodique d'huiles, de lubrifiants ou de solvants n'est pas recommandée, car ils tendent à attirer des débris et/ou endommager les pièces en plastique de l'outil.
ACTION	Avant chaque utilisation, vérifiez que toutes les vis et attaches sont bien serrées et pas endommagées.
POURQUOI	Pour prévenir l'enrayage et la dégradation prématurée des pièces de l'outil.
COMMENT LE FAIRE :	Resserrez les vis desserrées à l'aide de la clé hexagonale ou d'un tournevis approprié.

Nettoyage

AVERTISSEMENT : enlever les saletés et la poussière hors des événements au moyen d'air comprimé propre et sec, au moins une fois par semaine. Pour minimiser le risque de blessure aux yeux, toujours porter une protection oculaire conforme à la norme ANSI Z87.1 lors du nettoyage.

AVERTISSEMENT : ne jamais utiliser de solvants ni d'autres produits chimiques puissants pour nettoyer les pièces non métalliques de l'outil. Ces produits chimiques peuvent affaiblir les matériaux de plastique utilisés dans ces pièces. Utiliser un chiffon humecté uniquement d'eau et de savon doux. Ne jamais laisser de liquide pénétrer dans l'outil et n'immerger aucune partie de l'outil dans un liquide.

Graissage

AVIS : NE JAMAIS pulvériser ou appliquer un lubrifiant ou des solvants pour le nettoyage, d'une façon ou d'une autre, à l'intérieur de l'outil. Cette pratique peut nuire à la durée de vie et au rendement de l'outil.

Les outils DeWALT sont correctement graissés en usine et sont prêts à l'emploi. Toutefois, il est conseillé de ramener ou d'envoyer l'outil, une fois par année, à un centre de réparation pour un nettoyage complet et une inspection approfondie.

Accessoires

AVERTISSEMENT : puisque les accessoires autres que ceux offerts par DeWALT n'ont pas été testés avec ce produit, leur utilisation pourrait s'avérer dangereuse. Pour réduire le risque de blessures, utiliser exclusivement les accessoires DeWALT recommandés avec le présent produit.

Les accessoires recommandés pour cet outil sont vendus séparément au centre de service de votre région. Pour obtenir de l'aide concernant l'achat d'un accessoire, communiquer avec DeWALT Industrial Tool Co., 701 East Joppa Road, Towson, MD 21286 aux États-Unis; composer le 1 800 433-9258 (1 800 4-DeWALT) ou visiter notre site Web : www.DeWALT.com.

Réparations

Le chargeur et le bloc-piles ne sont pas réparables.

AVERTISSEMENT : pour assurer la SÉCURITÉ et la FIABILITÉ du produit, les réparations, l'entretien et les réglages doivent être réalisés (cela comprend l'inspection et le remplacement du balai, le cas échéant) par un centre de réparation en usine DeWALT ou un centre de réparation agréé DeWALT. Toujours utiliser des pièces de rechange identiques.

Remplacement de l'embout DCN6931 (Fig. N)

Avec le temps, l'embout à raccord métallique **13** s'usera et éventuellement nécessitera d'être changé.

AVERTISSEMENT : pour votre sécurité, lire le manuel de l'utilisateur respectif à l'outil avant l'utilisation de tout accessoire. Tout manquement à ces avertissements augmente les risques de dommages corporels, et les risques d'endommager sérieusement l'appareil et ses accessoires. Lors de l'entretien de cet outil, utiliser seulement des pièces de rechange identiques.

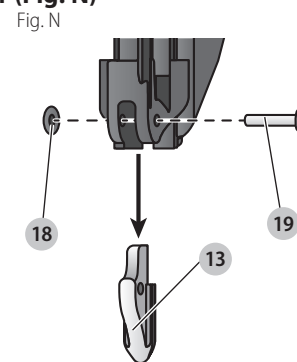


Fig. N

Pour remplacer l'embout à raccord métallique

- À l'aide d'un tournevis à tête plate, repoussez doucement la rondelle dure en caoutchouc **18** hors de la goupille de blocage de l'embout **19**.
- Poussez la goupille **19** hors du nez de la cloueur.
- Sortez l'embout usé/endommagé du nez.
- Insérez un nouvel embout à raccord métallique.
- Réinsérez la goupille de blocage **18** sur le nez et l'embout à raccord métallique.
- Repoussez la/les rondelle(s) dure(s) en caoutchouc sur la goupille de blocage.

Kit de remplacement du ressort de rappel DCN6901 (Fig. M-T)

AVERTISSEMENT : pour votre sécurité, lire le manuel de l'utilisateur respectif à l'outil avant l'utilisation de tout accessoire. Tout manquement à ces avertissements augmente les risques de dommages corporels graves, et les risques d'endommager sérieusement l'appareil et ses accessoires. Lors de la maintenance de cet outil, n'utiliser que des pièces de rechange identiques.

AVIS : toutes les pièces du kit de remplacement du ressort sont illustrées pour ajout de fonctionnalité et vérification d'inclusion. Le kit peut aussi contenir une burette d'adhésif Loctite à utiliser au cours de l'étape 9. Se reporter à la figure T.

Remplacement des ressorts de rappel cassés

REMARQUE : les ressorts doivent être remplacés par paire, en utilisant le kit correct de remplacement de ressort DeWALT.

- À l'aide de la clé **11** fournie à cet effet, desserrez les deux vis **27** de chaque côté de l'appareil. Reportez-vous en Figure O.
- Retirez le système de rappel **28** de l'appareil. Reportez-vous en Figure P.

Fig. O

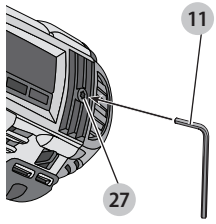
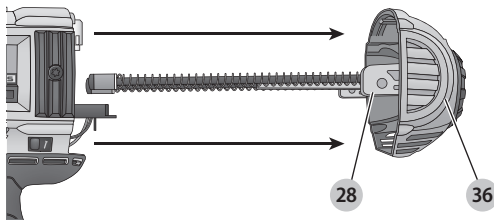


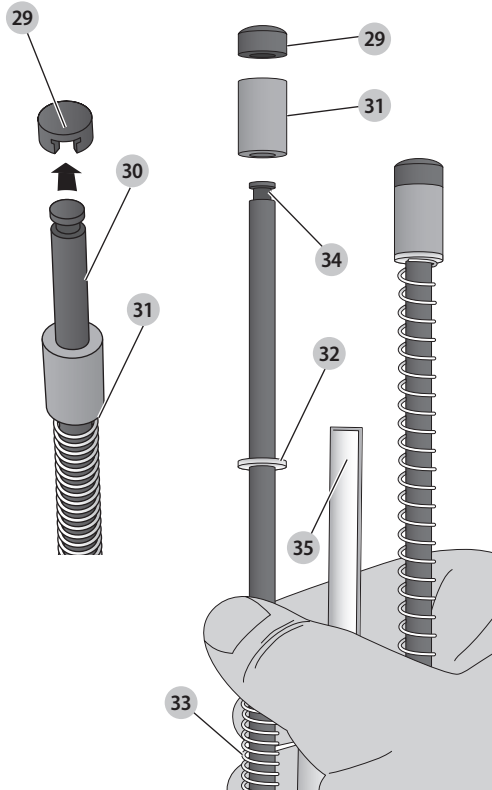
Fig. P



- Retirez le clip de la glissière du ressort **29** de la glissière du ressort **30**. Reportez-vous en Figure Q.
 - Faites tourner la butée du ressort **31** et retirez la rondelle **32** et le ressort de rappel **33**. Reportez-vous en Figure R.
 - Installez le nouveau ressort de rappel et sa rondelle sur la glissière du ressort **30**. Tout en compressant le ressort avec la rondelle contre l'extrémité opposée de la glissière, tournez la nouvelle butée du ressort au-delà de la rainure **34** du clip de la glissière du ressort.
 - Installez soigneusement le nouveau clip de la glissière du ressort et positionnez la butée contre le clip.
 - Répétez les étapes 3–6 pour le deuxième ressort.
- REMARQUE :** vérifiez le retour du profil en glissant le profil (35) en haut de la barre des ressorts et laissez-le aller. Il devrait retourner en raison de la force provenant des ressorts.
- Réinsérez le système de rappel **28** dans l'appareil. Il est important d'essayer d'aligner le profilé avec le volant moteur avant de revisser le système de rappel sur l'appareil. Cela peut être effectué en connectant un bloc-piles et en poussant puis relâchant le nez de l'appareil contre un établi ou une surface dure. Cela devrait faire tourner le moteur.

Fig. Q

Fig. R



REMARQUE : lorsque le profilé et le volant moteur sont correctement alignés, on remarquera que la vitesse de plein régime du moteur tombera. Si le profilé et le volant moteur ne sont pas correctement alignés, il se pourra que le moteur ne démarre pas, ou qu'il ralentisse anormalement et que l'appareil émette un fort grincement. Dans cette éventualité, retirez puis réinstallez le système de rappel.

- Une fois le système de rappel correctement installé, ouvrez la burette de Loctite^{MD}* fournie et appliquez en une petite quantité sur le filetage des deux vis **27** puis réinstallez les deux vis à l'aide de la clé et resserrez soigneusement.

AVERTISSEMENT : tester systématiquement l'appareil en tirant quelques clous courts dans du bois tendre pour vérifier que l'outil fonctionne correctement. Dans le cas contraire, contacter immédiatement un centre de réparation DeWALT agréé.

AVERTISSEMENT : le contenu de la burette de loctite^{MD}* peut irriter les yeux, la peau et le système respiratoire. utiliser le contenu dans son entier après ouverture. Ne pas respirer les émanations. Protéger soigneusement les yeux, la peau et les vêtements de tout contact. Utiliser seulement sur des lieux bien aérés. Maintenir hors de la portée des enfants.

TRAITEMENT DE SECOURS D'URGENCE : contient du diméthacrylate de polyglycol, oléate polyglycol, propylène glycol, dioxyde de titane et hydroperoxyde de cumène. En

cas d'ingestion, contacter immédiatement un centre antipoison ou un médecin. Ne pas provoquer des vomissements. En cas d'inhalation, exposer l'individu à l'air pur. En cas de contact oculaire, rincer 15 minutes à l'eau claire. Consulter un médecin. En cas de contact cutané, rincer abondamment à l'eau claire. En cas de contact avec les vêtements, retirer ces derniers.

*Loctite^{MD} est une marque déposée de Henkel Corp.

Fig. S

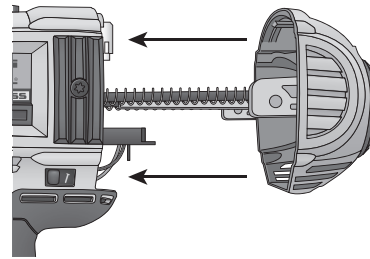
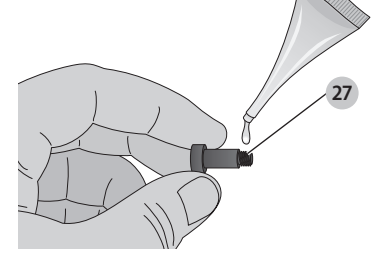


Fig. T



Registre en ligne

Merci pour votre achat. Enregistrez dès maintenant votre produit:

- RÉPARATIONS SOUS GARANTIE:** cette carte remplie vous permettra de vous prévaloir du service de réparations sous garantie de façon plus efficace dans le cas d'un problème avec le produit.
- CONFIRMATION DE PROPRIÉTÉ:** en cas de perte provoquée par un incendie, une inondation ou un vol, cette preuve de propriété vous servira de preuve auprès de votre compagnie d'assurances.
- SÉCURITÉ:** l'enregistrement de votre produit nous permettra de communiquer avec vous dans l'éventualité peu probable de l'envoi d'un avis de sécurité régi par la loi fédérale américaine de la protection des consommateurs.

Registre en ligne à www.DeWALT.com/register.

Garantie limitée de trois ans

DeWALT réparera, sans frais, tout produit défectueux causé par un défaut de matériel ou de fabrication pour une période de trois ans à compter de la date d'achat. La présente garantie ne couvre pas les pièces dont la défectuosité a été causée par une usure normale ou l'usage abusif de l'outil. Pour obtenir de plus amples renseignements sur les pièces ou les réparations couvertes par la présente garantie, visiter le site www.DeWALT.com ou composer le 1 800 433-9258 (1 800 4-DeWALT). CETTE GARANTIE LIMITÉE REMPLACE TOUTE AUTRE GARANTIE, Y COMPRIS TOUTE GARANTIE IMPLICITE DE QUALITÉ MARCHANDE OU DE CONFORMITÉ À DES FINS PARTICULIÈRES, ET EXCLUT TOUT DOMMAGE ACCESSOIRE OU INDIRECT. Certains états n'autorisent aucune limitation quant à la durée d'une garantie implicite ni aucune exclusion ou limitation de garantie contre tout préjudice accessoire ou indirect, aussi il se peut que ces exclusions ne vous soient pas applicables. Cette garantie confère des droits légaux particuliers à l'acheteur, mais celui-ci pourrait aussi bénéficier d'autres droits variant d'un territoire à l'autre.

En plus de la présente garantie, les outils DeWALT sont couverts par notre :

CONTRAT D'ENTRETIEN GRATUIT D'UN AN

DeWALT maintiendra gratuitement l'outil et remplacera gratuitement toute pièce usagée suite à une utilisation normale au cours de toute l'année suivant la date d'achat. Les éléments usés du cloueur tels les ressorts de rappel, lames d'enfonceur et pare-chocs ne sont pas couverts.

CONTRAT D'ENTRETIEN GRATUIT DE DEUX ANS SUR LES BLOC-PILES DeWALT

DC9071, DC9091, DC9096, DC9182, DC9280, DC9360, DCB120, DCB127, DCB201, DCB203, DCB203BT, DCB207, DCB361

CONTRAT D'ENTRETIEN GRATUIT DE TROIS ANS SUR LES BLOC-PILES DeWALT

DCB200, DCB204, DCB204BT, DCB205, DCB205BT, DCB206, DCB606, DCB609

REMARQUE : La garantie de ce produit sera annulée si le bloc-piles a été altéré de quelque façon que ce soit. DeWALT ne peut être tenu responsable de tout dommage corporel causé par l'altération du produit et pourra poursuivre toute fraude en matière de garantie dans toute l'étendue permise par la loi.

GARANTIE DE REMBOURSEMENT DE 90 JOURS

Si l'acheteur n'est pas entièrement satisfait, pour quelque raison que ce soit, du rendement de l'outil électrique, du laser ou de la cloueuse DeWALT, celui-ci peut le retourner, accompagné d'un reçu, dans les 90 jours à compter de la date d'achat pour obtenir un remboursement intégral, sans aucun problème.

AMÉRIQUE LATINE : cette garantie ne s'applique aux produits vendus en Amérique latine. Pour ceux-ci, veuillez consulter les informations relatives à la garantie spécifique présente dans l'emballage, appeler l'entreprise locale ou consulter le site Web pour les informations relatives à cette garantie.

REMPLACEMENT GRATUIT DES ÉTIQUETTES D'AVERTISSEMENT : si les étiquettes d'avertissement deviennent illisibles ou sont manquantes, composer le 1 800 433-9258 (1 800 4-DeWALT) pour en obtenir le remplacement gratuit.

GUIDE DE DÉPANNAGE

DE NOMBREUX PROBLÈMES COURANTS PEUVENT ÊTRE RÉSOLUS FACILEMENT À L'AIDE DU TABLEAU CI-DESSOUS. POUR DES PROBLÈMES PLUS SÉRIEUX OU PERSISTANTS, VEUILLEZ CONTACTER UN CENTRE DE RÉPARATION DeWALT ou appeler le 1-(800)-4-DeWALT.

AVERTISSEMENT : pour réduire tout risque de dommages corporels graves, déconnecter SYSTÉMATIQUEMENT le bloc-piles de l'outil avant toute réparation.

SYMPTÔME	CAUSE	SOLUTION
Le moteur refuse de fonctionner alors que la gâchette est appuyée	Le verrouillage de gâchette est en position verrouillée	Déverrouiller le verrouillage de gâchette.
	L'outil cale, empêchant le moteur de tourner	Tourner alors le levier de désenrayage de l'outil et le mécanisme sera libéré. Si la lame de l'enfonceur ne retourne pas à sa place, retirer le bloc-piles et repousser manuellement la lame de l'enfonceur sur sa position de base.
	L'outil se trouve en mode de déclenchement séquentiel	Appuyer d'abord sur le déclencheur par contact avant de tirer, ou passer en mode par contact.
	L'électronique interne de l'outil doit être réinitialisée	Retirer le bloc-piles, attendre 3 secondes puis réinsérer.
	Le moteur cesse de tourner au bout de 5 secondes	Opération normale, libérer la gâchette puis réappuyer.
	Les bornes sont sales ou endommagées	Voir un centre de réparation agréé.
	Électronique interne endommagée	Voir un centre de réparation agréé.
	Gâchette endommagée	Voir un centre de réparation agréé.
	Le bloc-piles est chaud	Laisser le bloc-piles refroidir ou le remplacer par un bloc-piles froid.
L'outil est chaud	Laisser l'outil refroidir avant de continuer son utilisation.	
L'outil ne fonctionne pas (le moteur tourne, mais ne déclenche pas)	Le mécanisme de prévention des déclenchements à vide est activé, bloquant la course du déclencheur par contact	Insérer des clous dans le magasin.
	La charge du bloc-pile est faible ou le bloc-piles est endommagé	Vérifier le niveau de charge si le bloc-piles peut afficher son état de charge. Charger ou remplacer le bloc-piles le cas échéant.
	Clou enrayé/lame de l'enfonceur pas sur sa position de base	Retirer le bloc-piles, désenrayer le clou, réinitialiser le levier de désenrayage (pousser manuellement la lame de l'enfonceur vers le haut le cas échéant), réinsérer le bloc-piles.
	Dispositif enfonceur/retour endommagé	Remplacer le dispositif enfonceur/retour avec le kit de remplacement.
	Mécanisme interne enrayé	Voir un centre de réparation agréé.
	Électronique interne endommagée	Voir un centre de réparation agréé.
Le moteur démarre, mais génère beaucoup de bruit	Clou enrayé et lame de l'enfonceur bloquée en position inférieure	Activer le levier de désenrayage, désenrayer les clous, et retourner manuellement la lame de l'enfonceur à sa place, le cas échéant.
	Dispositif enfonceur/retour endommagé	Remplacer le dispositif enfonceur/retour avec le kit de remplacement.
La lame de l'enfonceur reste continuellement bloquée en position inférieure	Clou enrayé et lame de l'enfonceur bloquée en position inférieure	Activer le levier de désenrayage, désenrayer les clous, et retourner manuellement la lame de l'enfonceur à sa place, le cas échéant.
	Dispositif enfonceur/retour endommagé	Remplacer le dispositif enfonceur/retour avec le kit de remplacement.
	Débris dans le nez	Nettoyer la zone du nez et vérifier qu'il n'y a aucun petit morceau de clous bloqués dans le rail. Se reporter à la section Désenrayage de clou.
L'outil fonctionne, mais n'enfonce pas les clous complètement	La profondeur n'est pas assez grande	Ajuster le réglage de profondeur sur un paramètre plus profond.
	L'outil n'est pas assez fermement maintenu contre la pièce	Appliquer la force adéquate sur l'outil pour maintenir fermement la pièce. Se reporter au guide d'utilisation.
	Matériau et longueur des clous	Si l'appareil continue de caler (forçant la rotation du levier de désenrayage), choisir le matériau et les clous adéquats de façon à ce que l'application ne soit pas trop intensive.
	Embout de la lame de l'enfonceur endommagé ou usé	Remplacer le dispositif enfonceur/retour avec le kit de remplacement.
	Mécanisme de déclenchement endommagé	Voir un centre de réparation agréé.
	L'outil n'est pas encore rodé	Les nouveaux outils peuvent nécessiter entre 500 et 1000 clous pour que les pièces s'ajustent et œuvrent de concert. Enfoncer des clous plus courts pendant cette période d'ajustement si l'on rencontre des difficultés à enfoncer des clous au ras de la surface.
Utilisation de la mauvaise vitesse		Pour enfoncer des clous plus longs dans le bois tendre, ou pour enfoncer des clous dans des matériaux plus durs à la vitesse 1, régler la vitesse sur la position 2.
L'outil fonctionne, mais aucun clou n'est enfoncé	Plus de clous dans le magasin	Insérer des clous dans le magasin.
	Taille ou angle de clous erroné	Utiliser exclusivement les clous recommandés. Se reporter au Caractéristiques des clous .
	Débris dans le nez	Nettoyer la zone du nez et vérifier qu'il n'y a aucun petit morceau de clous bloqués dans le rail.
	Débris dans le magasin	Nettoyer le magasin.
	Magasin usé	Remplacer le magasin. Voir un centre de réparation agréé.
	Lame de l'enfonceur endommagée ou usée	Remplacer la lame de l'enfonceur avec le kit.
Ressort du poussoir endommagé	Remplacer le ressort. Voir un centre de réparation agréé.	

SYMPTÔME	CAUSE	SOLUTION
Clou enrayé	Taille ou angle de clous erroné	Utiliser exclusivement les clous recommandés. Se reporter au Caractéristiques des clous .
	Les vis du magasin n'ont pas été suffisamment resserrées après désenrayage/inspection	S'assurer de bien resserrer les boulons hexagonaux avec la clé fournie à cet effet.
	Lame de l'enfonceur endommagée ou usée	Remplacer la lame de l'enfonceur. Voir un centre de réparation agréé.
	Matériau et longueur des clous	Si l'appareil continue de caler (forçant la rotation du levier de désenrayage), choisir le matériau et les clous adéquats de façon à ce que l'application ne soit pas trop intensive.
	Débris dans le nez	Nettoyer la zone du nez et vérifier qu'il n'y a aucun petit morceau de clous bloqués dans le rail.
	Magasin usé	Remplacer le magasin. Voir un centre de réparation agréé.
	Ressort du poussoir endommagé	Remplacer les ressorts avec le kit de remplacement.
	Le mécanisme de prévention des déclenchements à vide est activé alors qu'il ne reste qu'entre 7 et 9 clous dans le chargeur, et l'utilisateur applique une force excessive sur le déclencheur par contact, neutralisant le mécanisme	Charger plus de clous dans le chargeur pour désactiver le mécanisme de prévention.
	L'outil n'est pas encore rodé	Les nouveaux outils peuvent nécessiter entre 500 et 1000 clous pour que les pièces s'ajustent et œuvrent de concert. Enfoncer des clous plus courts pendant cette période d'ajustement si l'on rencontre des difficultés à enfoncer des clous au ras de la surface.
Utilisation de la mauvaise vitesse	Pour enfoncer des clous plus longs dans le bois tendre, ou pour enfoncer des clous dans des matériaux plus durs à la vitesse 1, régler la vitesse sur la position 2.	
Les clous ratent les trous préformés	Embout non placé sur le trou préformé	S'assurer que l'embout à raccord métallique 13 est positionné sur le trou préformé avant de tirer un clou.
	L'embout à raccord métallique 13 est usé	Remplacer l'embout avec le kit de remplacement.
	Des matériaux, comme les bandes de fixation de clou, sont bloqués dans le nez	Nettoyer le nez. Se reporter à la section Désenrayage de clou.
Pièdre capacité d'enfoncement	Embout de l'enfonceur endommagé ou usé	Remplacer l'embout avec le kit de remplacement. Si les performances de l'outil ne s'améliorent pas, le ramener dans un centre de réparation agréé DeWALT.

Definiciones: Símbolos y palabras de alerta de seguridad

Este manual de instrucciones utiliza los siguientes símbolos y palabras de alerta de seguridad para alertarle de situaciones peligrosas y del riesgo de lesiones corporales o daños materiales.





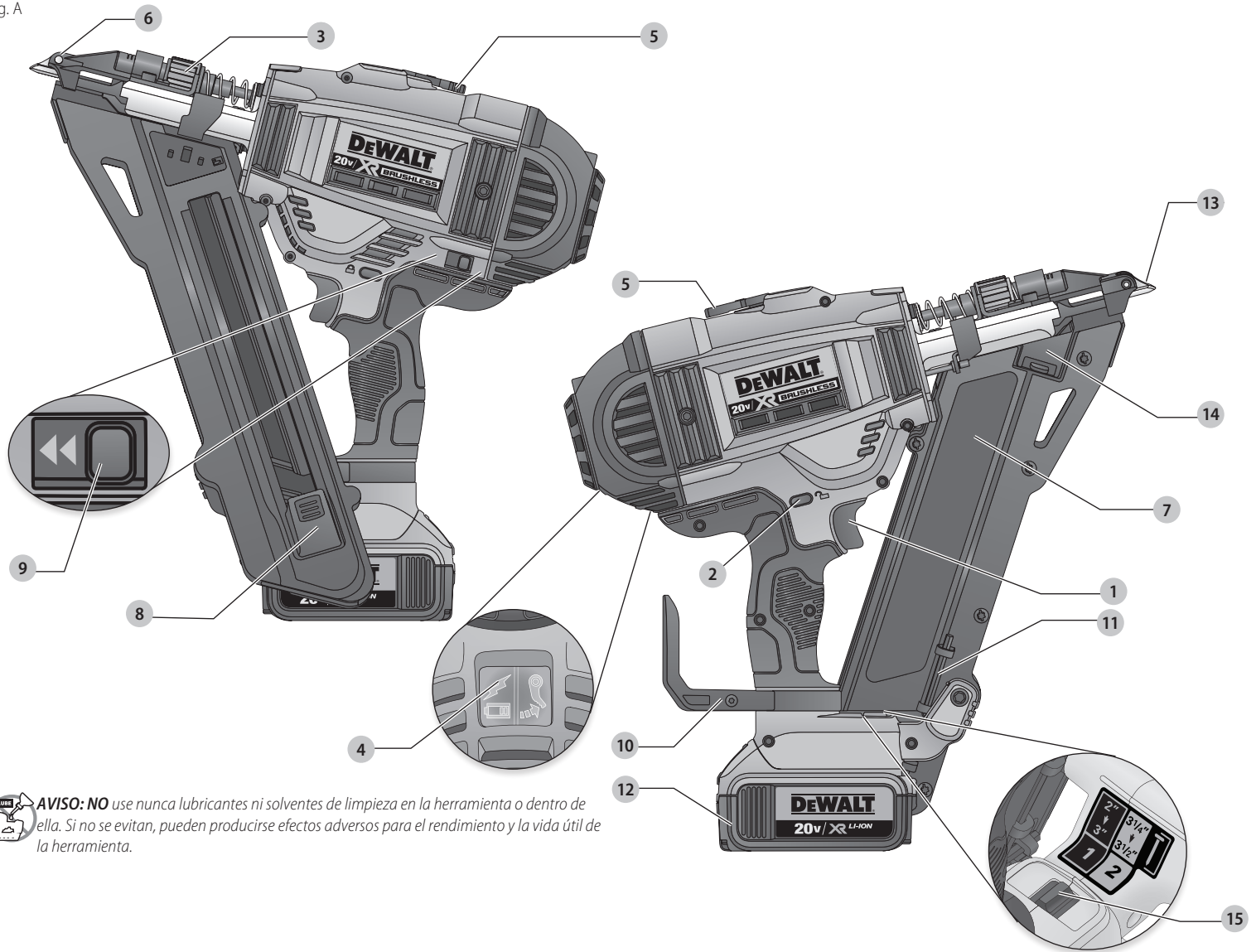


-  **PELIGRO:** Indica una situación de peligro inminente que, si no se evita, provocará **la muerte o lesiones graves**.
 -  **ADVERTENCIA:** Indica una situación de peligro potencial que, si no se evita, **podría** provocar **la muerte o lesiones graves**.
 -  **ATENCIÓN:** Indica una situación de peligro potencial que, si no se evita, **posiblemente** provocaría **lesiones leves o moderadas**.
 -  (Utilizado sin palabras) indica un mensaje de seguridad relacionado.
- AVISO:** Se refiere a una práctica **no relacionada a lesiones corporales** que de no evitarse **puede** resultar en **daños a la propiedad**.


Fig. A



 **AVISO: NO** use nunca lubricantes ni solventes de limpieza en la herramienta o dentro de ella. Si no se evitan, pueden producirse efectos adversos para el rendimiento y la vida útil de la herramienta.

- | | |
|--|--|
| 1 Gatillo | 9 Interruptor secuencial y RapidCycle™ |
| 2 Botón de bloqueo del gatillo | 10 Gancho de arrastre/cinturón giratorio |
| 3 Rueda de ajuste de profundidad | 11 Llave hexagonal incorporada |
| 4 Luces indicadoras de batería baja y obstrucción/parada | 12 Batería |
| 5 Palanca de liberación de parada | 13 Punta para conectores metálicos |
| 6 Activador por contacto | 14 Palanca de soporte de clavos |
| 7 Cargador | 15 Botón selector de longitud de clavos |
| 8 Seguro del liberador del propulsor | |

 **¡ADVERTENCIA!** Lea todas las advertencias de seguridad e instrucciones. El incumplimiento de las advertencias e instrucciones puede provocar descargas eléctricas, incendios o lesiones graves.

 **ADVERTENCIA:** Para reducir el riesgo de lesiones, lea el manual de instrucciones.

Si tiene alguna duda o algún comentario sobre ésta u otra herramienta DeWALT, llámenos al número gratuito: 1-800-4-DeWALT (1-800-433-9258).

ADVERTENCIAS GENERALES DE SEGURIDAD PARA HERRAMIENTAS ELÉCTRICAS

! ¡ADVERTENCIA! Lea todas las advertencias de seguridad e instrucciones. El incumplimiento de las advertencias e instrucciones puede provocar descargas eléctricas, incendios o lesiones graves.

CONSERVE TODAS LAS ADVERTENCIAS E INSTRUCCIONES PARA FUTURAS CONSULTAS

El término "herramienta eléctrica" incluido en las advertencias hace referencia a las herramientas eléctricas operadas con corriente (con cable eléctrico) o a las herramientas eléctricas operadas con baterías (inalámbricas).

1) Seguridad en el Área de Trabajo

- Mantenga el área de trabajo limpia y bien iluminada.** Las áreas abarrotadas y oscuras propician accidentes.
- No opere las herramientas eléctricas en atmósferas explosivas, como ambientes donde haya polvo, gases o líquidos inflamables.** Las herramientas eléctricas originan chispas que pueden encender el polvo o los vapores.
- Mantenga alejados a los niños y a los espectadores de la herramienta eléctrica en funcionamiento.** Las distracciones pueden provocar la pérdida de control.

2) Seguridad Eléctrica

- Los enchufes de la herramienta eléctrica deben adaptarse al tomacorriente. Nunca modifique el enchufe de ninguna manera. No utilice ningún enchufe adaptador con herramientas eléctricas con conexión a tierra.** Los enchufes no modificados y que se adaptan a los tomacorrientes reducirán el riesgo de descarga eléctrica.
- Evite el contacto corporal con superficies con descargas a tierra como, por ejemplo, tuberías, radiadores, cocinas eléctricas y refrigeradores.** Existe mayor riesgo de descarga eléctrica si su cuerpo está puesto a tierra.
- No exponga las herramientas eléctricas a la lluvia o a condiciones de humedad.** Si entra agua a una herramienta eléctrica, aumentará el riesgo de descarga eléctrica.
- No maltrate el cable. Nunca utilice el cable para transportar, tirar o desenchufar la herramienta eléctrica. Mantenga el cable alejado del calor, el aceite, los bordes filosos y las piezas móviles.** Los cables dañados o enredados aumentan el riesgo de descarga eléctrica.
- Al operar una herramienta eléctrica en el exterior, utilice un cable prolongador adecuado para tal uso.** Utilice un cable adecuado para uso en exteriores a fin de reducir el riesgo de descarga eléctrica.
- Si el uso de una herramienta eléctrica en un lugar húmedo es imposible de evitar, utilice un suministro protegido con un interruptor de circuito por falla a tierra (GFCI).** El uso de un GFCI reduce el riesgo de descargas eléctricas.

3) Seguridad Personal

- Permanezca alerta, controle lo que está haciendo y utilice el sentido común cuando emplee una herramienta eléctrica. No utilice una herramienta eléctrica si está cansado o bajo el efecto de drogas, alcohol o medicamentos.** Un momento de descuido mientras se opera una herramienta eléctrica puede provocar lesiones personales graves.
- Utilice equipos de protección personal. Siempre utilice protección para los ojos.** En las condiciones adecuadas, el uso de equipos de protección, como máscaras para polvo, calzado de seguridad antideslizante, cascos o protección auditiva, reducirá las lesiones personales.
- Evite el encendido por accidente. Asegúrese de que el interruptor esté en la posición de apagado antes de conectarlo a la fuente de energía o paquete de baterías, o antes de levantar o transportar la herramienta.** Transportar herramientas eléctricas con el dedo apoyado en el interruptor o enchufar herramientas eléctricas con el interruptor en la posición de encendido puede propiciar accidentes.
- Retire la clavija de ajuste o la llave de tuercas antes de encender la herramienta eléctrica.** Una llave de tuercas o una clavija de ajuste que quede conectada a una pieza giratoria de la herramienta eléctrica puede provocar lesiones personales.
- No se estire. Conserve el equilibrio y párese adecuadamente en todo momento.** Esto permite un mejor control de la herramienta eléctrica en situaciones inesperadas.
- Use la vestimenta adecuada. No use ropas holgadas ni joyas. Mantenga el cabello, la ropa y los guantes alejados de las piezas en movimiento.** Las ropas holgadas, las joyas o el cabello largo pueden quedar atrapados en las piezas en movimiento.
- Si se suministran dispositivos para la conexión de accesorios con fines de recolección y extracción de polvo, asegúrese de que estén conectados y que se utilicen correctamente.** El uso de dispositivos de recolección de polvo puede reducir los peligros relacionados con el polvo.

4) Uso y Mantenimiento de la Herramienta Eléctrica

- No fuerce la herramienta eléctrica. Utilice la herramienta eléctrica correcta para el trabajo que realizará.** Si se la utiliza a la velocidad para la que fue diseñada, la herramienta eléctrica correcta permite trabajar mejor y de manera más segura.
- No utilice la herramienta eléctrica si no puede encenderla o apagarla con el interruptor.** Toda herramienta eléctrica que no pueda ser controlada mediante el interruptor es peligrosa y debe repararse.

- Desconecte el enchufe de la fuente de energía o el paquete de baterías de la herramienta eléctrica antes de realizar ajustes, cambiar accesorios o almacenar la herramienta eléctrica.** Estas medidas de seguridad preventivas reducen el riesgo de encender la herramienta eléctrica en forma accidental.
- Guarde la herramienta eléctrica que no esté en uso fuera del alcance de los niños y no permita que otras personas no familiarizadas con ella o con estas instrucciones operen la herramienta.** Las herramientas eléctricas son peligrosas si son operadas por usuarios no capacitados.
- Realice el mantenimiento de las herramientas eléctricas. Revise que no haya piezas en movimiento mal alineadas o trabadas, piezas rotas o cualquier otra situación que pueda afectar el funcionamiento de la herramienta eléctrica. Si encuentra daños, haga reparar la herramienta eléctrica antes de utilizarla.** Se producen muchos accidentes a causa de las herramientas eléctricas que carecen de un mantenimiento adecuado.
- Mantenga las herramientas de corte afiladas y limpias.** Las herramientas de corte con mantenimiento adecuado y con los bordes de corte afilados son menos propensas a trabarse y son más fáciles de controlar.
- Utilice la herramienta eléctrica, los accesorios y las brocas de la herramienta, etc. de acuerdo con estas instrucciones y teniendo en cuenta las condiciones de trabajo y el trabajo que debe realizarse.** El uso de la herramienta eléctrica para operaciones diferentes de aquéllas para las que fue diseñada podría originar una situación peligrosa.

5) Uso y Mantenimiento de la Herramienta con Baterías

- Recargue solamente con el cargador especificado por el fabricante.** Un cargador adecuado para un tipo de paquete de baterías puede originar riesgo de incendio si se utiliza con otro paquete de baterías.
- Utilice herramientas eléctricas sólo con paquetes de baterías específicamente diseñados.** El uso de cualquier otro paquete de baterías puede producir riesgo de incendio y lesiones.
- Cuando no utilice el paquete de baterías, manténgalo lejos de otros objetos metálicos como sujetapapeles, monedas, llaves, clavos, tornillos u otros objetos metálicos pequeños que puedan realizar una conexión desde un terminal al otro.** Los cortocircuitos en los terminales de la batería pueden provocar quemaduras o incendio.
- En condiciones abusivas, el líquido puede ser expulsado de la batería. Evite su contacto. Si entra en contacto accidentalmente, enjuague con agua. Si el líquido entra en contacto con los ojos, busque atención médica.** El líquido expulsado de la batería puede provocar irritación o quemaduras.

6) Mantenimiento

- Solicite a una persona calificada en reparaciones que realice el mantenimiento de su herramienta eléctrica y que sólo utilice piezas de repuesto idénticas.** Esto garantizará la seguridad de la herramienta eléctrica.

Advertencias de seguridad de la clavadora

- Suponga siempre que la herramienta contiene clavos.** El manejo descuidado de la clavadora puede provocar un disparo inesperado de los clavos y lesiones corporales.
- No apunte la herramienta hacia sí mismo ni hacia nadie que esté cerca.** El disparo inesperado descargará un clavo y causará una herida.
- No active la herramienta a menos que se haya colocado firmemente contra la pieza de trabajo.** Si la herramienta no está en contacto con la pieza de trabajo, el sujetador se puede alejar del objetivo.
- Desconecte la herramienta de la fuente de energía cuando el sujetador se atasque en la herramienta.** Mientras retira un sujetador atascado, la herramienta puede activarse accidentalmente si se conecta a una fuente de energía.
- No use esta clavadora para sujetar cables eléctricos.** No está diseñada para la instalación de cables eléctricos y puede dañar el aislamiento de los cables eléctricos y causar una descarga eléctrica o peligros de incendio.

Advertencias de seguridad adicionales de la clavadora

- !** **ADVERTENCIA:** Al utilizar una clavadora, deben seguirse todas las precauciones de seguridad descritas a continuación, a fin de evitar el riesgo de muerte o lesiones graves. Lea y comprenda todas las instrucciones antes de emplear la herramienta.
- Sostenga la herramienta por las superficies de sujeción aisladas cuando realice una operación en la que la pistola de clavos pueda tener contacto con cableado oculto.** El contacto con un cable "vivo" hará que las partes de metal expuestas de la herramienta estén "vivas" y dará una descarga eléctrica al operador.
 - La herramienta en funcionamiento puede generar residuos volátiles, materiales colacionados o polvo que pueden dañar los ojos del operador.** El operador y toda otra persona que se encuentre en el área de trabajo DEBEN usar anteojos de seguridad con protección lateral. Estos anteojos de seguridad deben cumplir con los requisitos ANSI Z87.1 (los anteojos aprobados tienen impreso o estampado "Z87"). Es responsabilidad del empleador exigir el uso de equipo de protección para los ojos por parte del operador de la herramienta y de las personas en el área de trabajo.
 - Siempre utilice la protección auditiva apropiada mientras usa la herramienta.** En ciertas circunstancias y según el período de uso, el ruido de este producto puede contribuir a la pérdida de audición.

- **Desconecte la batería de la herramienta cuando no esté usándola. Saque siempre la batería y saque los clavos del cargador antes de marcharse de la zona o de pasarle la herramienta a otro operador. No lleve la herramienta a otra zona de trabajo con la batería conectada cuando tenga que usar andamios, escaleras, escaleras de mano, etc. para llegar a la nueva zona de trabajo. No realice ajustes y mantenimiento o desatasque clavos cuando la batería esté en su sitio.**
- **No saque, altere o provoque de otro modo que la herramienta, el gatillo o el botón de bloqueo del gatillo dejen de funcionar.** No ate ni fije con cinta adhesiva el gatillo en la posición de ENCENDIDO. No saque el muelle del activador por contacto. Haga inspecciones diarias para el movimiento libre del gatillo. Se puede producir una descarga descontrolada.
- **Inspeccione la herramienta antes de utilizarla. No utilice la herramienta si cualquier parte de la misma, el gatillo o el botón de bloqueo del gatillo ha dejado de funcionar, está desconectado, alterado o no funciona bien.** Las piezas dañadas o que falten deben ser reparadas o cambiadas antes de usar la herramienta. Consulte la sección **Reparaciones**.
- **No altere ni modifique la herramienta de ninguna forma.**
- **Siempre dé por sentado que la herramienta contiene elementos de fijación.**
- **No apunte la herramienta hacia sus compañeros de trabajo ni hacia usted en ningún momento.** ¡No la use a modo de juego! Trabaje en forma segura. Respete la herramienta como un elemento de trabajo.
- **Mantenga a espectadores, niños y visitantes alejados de la herramienta eléctrica en funcionamiento.** Las distracciones pueden provocar la pérdida de control. Cuando la herramienta no esté en uso, se debe guardarla en un lugar seguro, fuera del alcance de los niños.
- **Use siempre el botón de bloqueo del gatillo cuando la herramienta no vaya a usarse inmediatamente.** El usar el botón de bloqueo del gatillo evitará una descarga accidental.
- **No se estire. Conserve el equilibrio y párese adecuadamente en todo momento.** La pérdida del equilibrio podría provocar una lesión personal.
- **Utilice la herramienta sólo para la función para la que fue diseñada. No descargue los elementos de fijación al aire, hormigón, piedra, madera muy dura, nudos o cualquier material demasiado duro para que lo penetren.** No utilice el cuerpo de la herramienta o la tapa superior como un martillo. Los elementos de fijación descargados podrían hacer un camino inesperado y causar una lesión.
- **Siempre deje los dedos lejos del activador por contacto para evitar que se produzcan lesiones por la liberación inadvertida del impulsor.**
- **Consulte las secciones Mantenimiento y Reparaciones para obtener información detallada sobre el mantenimiento correcto de la herramienta.**
- **Opere siempre la herramienta en un área limpia e iluminada.** Asegúrese de que la superficie de trabajo está libre de cualquier residuo y tenga cuidado de no perder el equilibrio cuando trabaja en lugares altos, como techos.
- **No clave elementos de fijación cerca de los bordes del material.** La pieza de trabajo puede partirse y hacer que el elemento de fijación rebote y lo lesione a usted o a un compañero de trabajo. Tenga en cuenta que el clavo podría seguir la veta de la madera y sobresalir en forma inesperada del costado del material de trabajo. Coloque la punta de cincel del clavo en forma perpendicular a la veta para reducir el riesgo de lesiones.
- **Los clavos tienen que clavarse rectos en el material.** No incline la clavadora mientras clava. Pueden producirse lesiones corporales ocasionadas por un fuerte retroceso de la herramienta, clavos atascados o rebote de los clavos.
- **Mantenga las manos y las partes del cuerpo fuera del área de trabajo inmediata.** Sostenga la pieza de trabajo con abrazaderas cuando sea necesario para mantener las manos y el cuerpo alejados de daños potenciales. Asegúrese de que la pieza de trabajo esté bien sujeta antes de presionar la clavadora en el material. El activador por contacto puede hacer que el material de trabajo se mueva en forma inesperada.

ADVERTENCIA: Mantenga las manos alejadas del área delante de la herramienta.

- **No utilice la herramienta en presencia de polvo, gases o vapores inflamables.** La herramienta puede producir una chispa que le prenda fuego a los gases y provoque un incendio. Clavar un clavo sobre otro clavo también puede producir una chispa.
- **Agarre la herramienta firmemente para mantener el control mientras permite que la misma retroceda de la superficie de trabajo cuando se introduce el clavo.**
- **Conozca el espesor del material cuando utilice la clavadora.** Un clavo que sobresale puede provocar una lesión.
- **AJUSTE DE LA PROFUNDIDAD:** Para reducir el riesgo de lesiones graves debidas a una puesta en marcha accidental al tratar de ajustar la profundidad, **SIEMPRE:**
 - Retire el paquete de baterías.
 - Active el botón de bloqueo del gatillo.
 - Evite tocar el disparador durante los ajustes.
- **No coloque clavos a ciegas en paredes, pisos u otras áreas de trabajo.** Los elementos de fijación que se colocan en cables eléctricos con corriente, cañerías de agua u otros tipos de obstrucciones pueden provocar lesiones.
- **Permanezca alerta, concéntrese en lo que está haciendo y utilice el sentido común cuando emplee una herramienta eléctrica.** No utilice la herramienta si está cansado o bajo el efecto de drogas, alcohol o medicamentos. Un momento de descuido mientras se opera una herramienta eléctrica puede provocar lesiones personales graves.



ADVERTENCIA: en caso de caída de la herramienta o si usted cree que se ha producido algún daño, realice la comprobación de control de la herramienta que se indica en la sección Selección de modo de este manual. Si no funciona según el manual, deje de utilizar la herramienta y hágala reparar por un centro de servicios autorizado de DeWALT.

Instrucción Adicional de Seguridad



ADVERTENCIA: Use **SIEMPRE** lentes de seguridad. Los anteojos de diario **NO SON** lentes de seguridad. Utilice además una cubrebocas o mascarilla antipolvo si la operación de corte genera demasiado polvo. **SIEMPRE LLEVE EQUIPO DE SEGURIDAD CERTIFICADO:**

- protección ocular ANSI Z87.1 (CAN/CSA Z94.3),
- protección auditiva ANSI S12.6 (S3.19),
- protección respiratoria NIOSH/OSHA/MSHA.



ADVERTENCIA: Algunas partículas de polvo generadas al lijar, serrar, esmerilar y taladrar con herramientas eléctricas, así como al realizar otras actividades de construcción, contienen químicos que el Estado de California sabe que pueden producir cáncer, defectos congénitos u otras afecciones reproductivas. Ejemplos de estos químicos son:

- plomo de algunas pinturas en base a plomo,
- polvo de sílice proveniente de ladrillos y cemento y otros productos de albañilería, y
- arsénico y cromo provenientes de madera tratada químicamente.

Su riesgo de exposición a estos químicos varía, dependiendo de la frecuencia con la cual realiza usted este tipo de trabajo. Para reducir su exposición a estas sustancias químicas: trabaje en una zona bien ventilada y llevando equipos de seguridad aprobados, como mascarillas antipolvo especialmente diseñadas para filtrar partículas microscópicas.

- **Evite el contacto prolongado con polvo generado por el lijado, aserrado, pulido, taladrado y otras actividades de construcción. Vista ropas protectoras y lave las áreas de la piel expuestas con agua y jabón.** Si permite que el polvo se introduzca en la boca u ojos o quede sobre la piel, puede favorecer la absorción de productos químicos peligrosos.



ADVERTENCIA: La utilización de esta herramienta puede generar polvo o dispersarlo, lo que podría causar daños graves y permanentes al sistema respiratorio, así como otras lesiones. Siempre use protección respiratoria aprobada por NIOSH (Instituto Nacional de Seguridad y Salud en el Trabajo) u OSHA (Administración de Seguridad y Salud en el Trabajo) apropiada para la exposición al polvo. Dirija las partículas en dirección contraria a la cara y el cuerpo.



ATENCIÓN: Cuando no esté en uso, **guarde la herramienta apoyada en un costado sobre una superficie estable, donde no interrumpa el paso o provoque una caída.** Algunas herramientas con paquetes de baterías de gran tamaño pueden colocarse paradas sobre el paquete de baterías, pero pueden caerse fácilmente.

La etiqueta de su herramienta puede incluir los siguientes símbolos. A continuación se indican los símbolos y sus definiciones:

V	voltios	~ or AC	corriente alterna
Hz	hertz	~ or AC/DC	corriente alterna o directa
min	minutos	☐	Construcción de Clase II (doble aislamiento)
— or DC	direct current	n ₀	velocidad sin carga
⊕	Construcción de Clase I (tierra)	n	velocidad nominal
.../min	por minuto	⊖	terminal de conexión a tierra
BPM	golpes por minuto	⚠	símbolo de advertencia de seguridad
IPM	impactos por minuto	☀	radiación visible
RPM	revoluciones por minuto	☁	protección respiratoria
sfpm	pies de superficie por minuto	👁	protección ocular
SPM	pasadas por minuto	👂	protección auditiva
A	amperios	📖	lea toda la documentación
W	vatios		

BATERÍAS Y CARGADORES

La batería no viene completamente cargada de fábrica. Antes de utilizar la batería y el cargador, lea las siguientes instrucciones de seguridad y luego siga los procedimientos de carga indicados. Cuando pida baterías de repuesto, no olvide indicar el número de catálogo y el voltaje.

Su herramienta utiliza un cargador DeWALT. Lea todas las instrucciones de seguridad antes de usar el cargador. Consulte la tabla al final de este manual para información sobre compatibilidad entre cargadores y baterías.

LEA TODAS LAS INSTRUCCIONES

Instrucciones de Seguridad Importantes Para Todas las Unidades de Batería



ADVERTENCIA: Lea todas las advertencias de seguridad y todas las instrucciones para la batería, el cargador y la herramienta eléctrica. No seguir las advertencias y las instrucciones puede provocar una descarga eléctrica, un incendio y/o lesiones graves.

- **No cargue o use la unidad de batería en atmósferas explosivas, como en presencia de líquidos, gases o polvos inflamables.** Puede que al insertar o sacar la unidad de batería del cargador se inflamen el polvo o los gases.
- **NUNCA fuerce la unidad de batería para que entre en el cargador. NO modifique la unidad de batería en ninguna forma para que entre en un cargador no compatible, pues puede producir una ruptura en la unidad de batería y causar lesiones corporales**

graves. Consulte la tabla al final de este manual para ver la compatibilidad entre baterías y cargadores.

- Cargue las unidades de batería sólo en los cargadores designados por DeWALT.
- **NO** salpique con ni sumerja en agua u otros líquidos.
- **No guarde ni use la herramienta y unidad de batería en lugares donde la temperatura pueda alcanzar o superar los 40 °C (104 °F), tales como cobertizos o construcciones de metal durante el verano.** Almacene las unidades de batería en lugares frescos y secos para maximizar su vida útil.

NOTA: No almacene las unidades de batería en la herramienta con el interruptor de gatillo en posición encendida fija. Nunca use cinta adhesiva para mantener el interruptor de gatillo en posición ENCENDIDA.

- **No incinere la unidad de batería, aunque esté completamente dañada o descargada. La unidad de batería puede explotar si se quema.** Cuando se queman unidades de batería de iones de litio, se producen gases y materiales tóxicos.
- **Si el contenido de la batería entra en contacto con la piel, lave el área de inmediato con agua y un jabón suave.** Si el líquido de la batería entra en contacto con sus ojos, enjuáguelos con agua y los ojos abiertos por 15 minutos o hasta que cese la irritación. Si se requiere de asistencia médica, el electrolito de la batería está compuesto por una mezcla de carbonatos orgánicos líquidos y sales de litio.
- **El contenido de los elementos abiertos de la batería puede causar irritación en el tracto respiratorio.** Salga al aire fresco. Si los síntomas persisten, busque asistencia médica.

ADVERTENCIA: Peligro de quemaduras. El líquido de la batería puede ser inflamable si se expone a chispas o llamas.

ADVERTENCIA: Peligro de incendio. Nunca intente abrir la unidad de batería por ningún motivo. Si la caja exterior de la unidad de batería se triza o daña, no la introduzca en el cargador. No triture, deje caer o dañe la unidad de batería. No use una unidad de batería o un cargador que haya sido golpeado, dejado caer, atropellado o dañado en cualquier forma (por ejemplo, perforado por un clavo, golpeado con un martillo, pisado). Lleve sus unidades de batería dañadas al centro de servicio para que sean recicladas.

Transporte

ADVERTENCIA: Peligro de incendio. No guarde o transporte la batería de forma que los terminales expuestos de la misma puedan estar en contacto con objetos metálicos. Por ejemplo, no ponga la batería en delantales, bolsillos, cajas de herramientas, estuches de productos, cajones, etc., junto con clavos, tornillos, y llaves, etc. sueltos. **El transporte de baterías puede causar incendios si sus terminales inadvertidamente entran en contacto con materiales conductores como llaves, monedas, herramientas manuales y otros por el estilo.** El Reglamento sobre Materiales Peligrosos (HMR) del Departamento de Transporte de EE.UU. prohíbe transportar baterías comercialmente o en aviones en el equipaje de mano A MENOS que estén debidamente protegidas contra cortocircuitos. Por lo tanto, cuando transporte baterías individuales, asegúrese de que sus terminales estén protegidos y debidamente aislados de los materiales que pudieran entrar en contacto con ellos y provocar un cortocircuito.

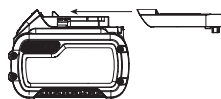
TRANSPORTE DE LA BATERÍA FLEXVOLT™ DE DeWALT

La batería FLEXVOLT™ de DeWALT tiene dos modalidades: **Uso y transporte.**

Modalidad de uso: Cuando la batería FLEXVOLT™ está independiente o está en un producto DeWALT de 20 V Máx* funcionará como una batería de 20 V Máx*. Cuando la batería FLEXVOLT™ está en un producto de 60 V Máx* o 120 V Máx* (dos baterías de 60 V Máx*), funcionará como una batería de 60V Máx*.

Modalidad de transporte: Cuando la batería FLEXVOLT™ tiene puesta la tapa, la batería está en modalidad de transporte. Cadenas de celdas están desconectadas eléctricamente dentro de la unidad de batería, lo que resulta en tres baterías con una capacidad nominal de vatios hora (Wh) inferior comparada con una batería con una capacidad nominal de vatios hora superior. Esta mayor cantidad de tres baterías con una capacidad nominal de vatios-hora menor puede hacer que la unidad de batería quede exenta de ciertos reglamentos de transporte que se imponen a las baterías con mayor capacidad nominal de vatios-hora.

La etiqueta en la batería indica dos capacidades nominales de vatios-hora (ver el ejemplo). Dependiendo de cómo se transporta la batería, debe usarse la capacidad nominal vatios-hora apropiada para determinar los requisitos de transporte aplicables. Si se utiliza la tapa de transporte, la unidad de batería será considerada tres baterías con la capacidad nominal de vatios-hora indicada para «Transporte». Si se transporta sin la tapa o en una herramienta, la unidad de batería será considerada una batería con la capacidad nominal de vatios-hora indicada al lado de «Uso».



Ejemplo de Marcado en Etiqueta de Uso y Transporte

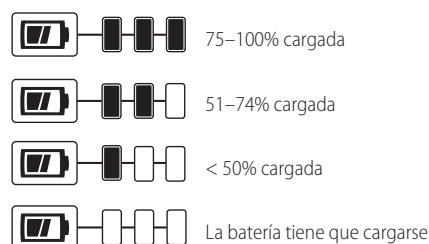
USE: 120 Wh Shipping: 3 x 40 Wh

Por ejemplo, la capacidad nominal de Wh de Transporte puede indicar 3 x 40 Wh, lo que significa 3 baterías de 40 vatios-hora cada una. La capacidad nominal de Wh de Uso puede indicar 120 Wh (se implica 1 batería).

Unidades de Batería con Indicador de Carga (Fig. B)

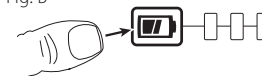
Algunas unidades de batería DeWALT incluyen un indicador de carga que consiste de tres luces LED verdes que indican el nivel de carga que queda en la unidad de batería.

El indicador de carga es una indicación de niveles aproximados de carga que quedan en la batería según los indicadores siguientes:



Para activar el indicador de carga, presione y sostenga el botón del indicador. Se iluminará una combinación de las tres luces LED verdes, que indicará el nivel de carga que queda. Cuando el nivel de carga está por debajo del nivel útil, el indicador no se iluminará, y la batería deberá recargarse.

Fig. B



NOTA: El indicador de carga es sólo eso: un indicador de la carga de la unidad de batería. No indica el nivel de funcionalidad de la herramienta y puede variar de acuerdo a las piezas del producto, la temperatura y la aplicación que el usuario le dé.

Para mayor información sobre unidades de batería con indicadores de carga, por favor llame al 1-800-4-DeWALT (1-800-433-9258) o visite nuestro sitio Web: www.DeWALT.com.

El sello RBRC®

El sello RBRC® (Rechargeable Battery Recycling Corporation) en las baterías (unidades de batería) de níquel cadmio, níquel e hidruro metálico o de iones de litio indica que el costo de reciclaje de estas baterías (o unidades de batería) al llegar al final de su vida de servicio ya ha sido pagado por DeWALT. En algunas áreas, es ilegal depositar baterías de níquel cadmio, níquel e hidruro metálico o de iones de litio gastadas en la basura o la corriente de residuos sólidos urbanos; el programa Call 2 Recycle® proporciona una alternativa ecológica.



Call 2 Recycle, Inc., en cooperación con DeWALT y otros usuarios de baterías, han establecido programas en los Estados Unidos y Canadá para facilitar la recolección de baterías de níquel cadmio, níquel e hidruro metálico o de iones de litio gastadas. Al llevar sus baterías de níquel cadmio, níquel e hidruro metálico y de iones de litio gastadas a un centro de servicio autorizado por DeWALT o al minorista local para que sean recicladas, ayuda a proteger el medio ambiente y a conservar recursos naturales. También puede comunicarse con el centro de reciclaje de su localidad para mayor información sobre dónde llevar sus baterías gastadas.

RBRC® es una marca comercial registrada de Call 2 Recycle, Inc.

Instrucciones Importantes de Seguridad Para Todos los Cargadores de Baterías

ADVERTENCIA: Lea todas las advertencias de seguridad y todas las instrucciones para la batería, el cargador y la herramienta eléctrica. No seguir las advertencias y las instrucciones puede provocar una descarga eléctrica, un incendio y/o lesiones graves.

- **NO intente cargar la unidad de batería con otros cargadores que no sean los descritos en este manual.** El cargador y la unidad de batería fueron específicamente diseñados para trabajar en conjunto.
- **Estos cargadores no fueron diseñados para ser utilizados para más que cargar las baterías recargables DeWALT.** Cualquier otro uso puede producir riesgo de incendios, descargas eléctricas o electrocución.
- **No exponga el cargador a la lluvia o a la nieve.**
- **Tire del enchufe y no del cable cuando desconecte el cargador.** De esta forma se reduce el riesgo de daño al enchufe y cable.
- **Asegúrese de que el cable no sea ubicado de manera que podría ser pisado, causar que alguien tropiece con él o ser expuesto a otro tipo de daños y desgastes.**
- **No use un alargador a menos que sea absolutamente necesario.** El uso de un alargador incorrecto podría producir riesgo de incendios, descargas eléctricas o electrocución.
- **Cuando opere un cargador al exterior, hágalo siempre en un lugar seco y use un alargador apropiado para uso al exterior.** El uso de un alargador apropiado para uso al exterior reduce el riesgo de descarga eléctrica.
- **Los hilos del alargador deben ser de un calibre apropiado (AWG o American Wire Gauge) para su seguridad.** Mientras menor sea el calibre del hilo, mayor la capacidad del cable. Es decir, un hilo calibre 16 tiene mayor capacidad que uno de 18. Un cable de un calibre insuficiente causará una caída en la tensión de la línea dando por resultado una pérdida de energía y sobrecalentamiento. Cuando se utilice más de un alargador para completar el largo total, asegúrese que los hilos de cada alargador tengan el calibre mínimo. La tabla siguiente muestra el tamaño correcto a utilizar, dependiendo de la longitud del cable y del amperaje nominal de la placa de identificación. Si tiene dudas sobre cuál calibre usar, use un calibre mayor. Cuanto menor sea el número del calibre, más resistente será el cable.

Calibre mínimo de conjuntos de cables					
Voltios	Longitud total del cable en pies (metros)				
	120 V	25 (7,6)	50 (15,2)	100 (30,5)	150 (45,7)
240 V	50 (15,2)	100 (30,5)	200 (61,0)	300 (91,4)	
Amperaje nominal	AWG				
0	6	18	16	16	14
6	10	18	16	14	12
10	12	16	16	14	12
12	16	14	12	No recomendado	

- **No coloque ningún objeto encima del cargador ni coloque a este sobre una superficie blanda que pudiera bloquear las ranuras de ventilación y resultar en un calor interno excesivo.** Coloque el cargador en un lugar alejado de cualquier fuente de calor. El cargador se ventila a través de las ranuras que se encuentran en la parte superior e inferior de la caja protectora.
- **No opere el cargador si su cable o enchufe están dañados.**
- **No opere el cargador si ha recibido un golpe agudo, si se ha caído o si ha sido dañado de alguna otra forma.** Llévelo a un centro de servicio autorizado.
- **No desarme el cargador; llévelo a un centro de servicio autorizado cuando deba ser reparado.** Si es reensamblado incorrectamente, puede causar descargas eléctricas, electrocución o incendios.
- **Desenchufe el cargador antes de intentar limpiarlo. Esto reducirá el riesgo de descargas eléctricas.** El retirar el paquete de baterías no reducirá este riesgo.
- **NUNCA** intente conectar 2 cargadores entre sí.
- **El cargador está diseñado para operar con una corriente eléctrica estándar residencial de 120 V. No intente usarlo con ningún otro voltaje.** Esto no aplica al cargador vehicular.

ADVERTENCIA: Peligro de descarga eléctrica. No permita que ningún líquido se introduzca en el cargador. Puede producir descargas eléctricas.

ADVERTENCIA: Peligro de quemaduras. No sumerja la unidad de batería en líquido de ningún tipo ni permita que se introduzca ningún tipo de líquido a la unidad de batería. Nunca intente abrir la unidad de batería por ningún motivo. Si la caja plástica de la unidad de batería se triza o rompe, llévela a un centro de servicio para su reciclaje

ATENCIÓN: Peligro de quemaduras. Para reducir el riesgo de lesiones, sólo cargue unidades de batería recargables marca DeWALT. Otros tipos de batería podrían sobrecalentarse y reventar lo que podría resultar en lesiones corporales y daños a su propiedad.

AVISO: Bajo ciertas condiciones, cuando el cargador está enchufado a una toma de corriente, el cargador puede hacer cortocircuito si entra en contacto con algún material ajeno. Los materiales ajenos de naturaleza conductora, como el polvo de esmerilado, las placas de metal, la lana de acero, el papel de aluminio y otros, o cualquier acumulación de partículas metálicas deberían mantenerse alejados de las cavidades del cargador. Desenchufe siempre el cargador cuando no haya una unidad de batería en su cavidad. Desenchufe el cargador antes de intentar limpiarlo.

Certificaciones inalámbricas e información de seguridad

- Este dispositivo cumple con CAN ICES-3(B)/NMB-3(B).
- Este dispositivo cumple con la Sección 15 de las normas de la Comisión Federal de Comunicaciones (FCC) y las normas RSS de exención de licencia del Ministerio de Industria de Canadá. Su funcionamiento está sujeto a las dos siguientes condiciones:
 - Este dispositivo no puede causar interferencia dañina, y
 - Este dispositivo debe aceptar cualquier interferencia que reciba, incluyendo aquella interferencia que podría producir un funcionamiento no deseado.

Este equipo ha sido probado y se ha demostrado que cumple con los límites establecidos para dispositivos digitales de Clase B, de conformidad con la Sección 15 de las Normas de la FCC. Estos límites están diseñados para ofrecer un nivel razonable de protección contra la interferencia dañina en instalaciones residenciales. Este equipo genera, utiliza y puede emitir energía de radiofrecuencia y, si no se instala y utiliza de acuerdo con las instrucciones proporcionadas, puede producir una interferencia dañina a la comunicación radial. Sin embargo, no existen garantías de que no ocurra interferencia alguna en una instalación en particular. Si este equipo produce interferencia dañina a la recepción radial o de televisión, lo que puede determinarse al apagar y volver a encender el equipo, se pide al usuario que corrija la interferencia implementando una o más de las siguientes medidas:

- Cambie la orientación o el lugar donde esté ubicada la antena receptora.
- Aumente el espacio que separa al equipo del receptor.
- Conecte el equipo a una toma de corriente que esté en un circuito diferente al circuito al que esté conectado el receptor.
- Consulte con el distribuidor o con un técnico de radio y televisión con experiencia que pueda ayudarle.
- Los cambios o modificaciones que no estén aprobados expresamente por el fabricante podrían anular la autorización del usuario para utilizar el dispositivo. Este aparato digital de la Clase B cumple con la norma canadiense ICES-003.
- Según el reglamento del Ministerio de Industria de Canadá, este transmisor de radio puede funcionar solamente con una antena del tipo y de la máxima (o menor) ganancia aprobados para el transmisor por el Ministerio de Industria de Canadá. Para reducir la posible interferencia radioeléctrica a otros usuarios, el tipo de antena y su ganancia deberían elegirse de manera

que la potencia isotrópica radiada equivalente (p.i.r.e.) no sea mayor que la necesaria para una comunicación satisfactoria.

- Para cumplir con los límites de exposición a radiación de radiofrecuencia establecidos por la FCC y el Ministerio de Industria de Canadá para la población general, la antena utilizada para este dispositivo no debe ser colocada ni funcionar junto con cualquier otra antena o transmisor.

Para productos con Bluetooth®

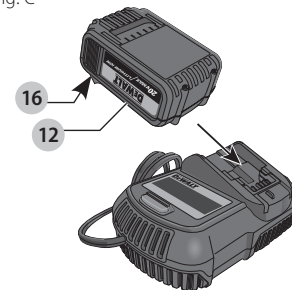
- Al viajar en avión, asegúrese de cumplir con las restricciones de las líneas aéreas acerca del uso de dispositivos electrónicos personales y Bluetooth®.
- La función de alerta de fuera de alcance ha sido diseñada para servir de ayuda para evitar la pérdida o robo de productos. No es un sistema de seguridad.
- El rango de conectividad es de hasta 30.5 m (100 pies) dependiendo del entorno y la ubicación.
- Las señales de radiofrecuencia de onda corta de un dispositivo Bluetooth® pueden afectar el funcionamiento de otros dispositivos médicos y electrónicos (como marcapasos o audífonos).

NOTA: La marca denominativa y los logotipos de Bluetooth® son marcas registradas propiedad de Bluetooth®, SIG, Inc. y todo uso de dichas marcas por DeWALT se hace bajo licencia. Otras marcas y nombres comerciales son de sus respectivos propietarios.

Este producto cumple con estas normas cuando se pone en funcionamiento con un alargador de 1.82 m (6 pies) o más corto.

Carga de una batería (Fig. C)

1. Enchufe el cargador en una toma de corriente apropiada antes de introducir la batería. Fig. C

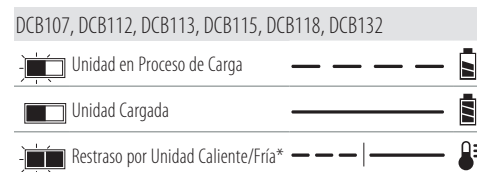


2. Inserte la batería **12** en el cargador, comprobando esté bien fija. La luz roja (de carga) parpadeará continuamente para indicar que se ha iniciado el proceso de carga.
3. La luz roja se quedará ENCENDIDA continuamente cuando se haya completado el proceso de carga. La batería estará entonces completamente cargada y podrá ser utilizada de inmediato o dejarse en el cargador. Para sacar la batería del cargador, presione el botón de liberación **16** de la batería.

NOTA: Para asegurar el máximo rendimiento y vida útil de las baterías de iones de litio, cargue la batería completamente antes de usarla por primera vez.

Funcionamiento del cargador

Consulte los indicadores a continuación relativos al estado de carga de la batería.



*DCB107, DCB112, DCB113, DCB115, DCB118, DCB132: La luz roja continuará parpadearando, pero una luz indicadora amarilla estará iluminada durante esta operación. Una vez que la batería haya llegado a una temperatura apropiada, la luz amarilla se apagará y el cargador continuará con el procedimiento de carga.

El cargador no cargará una batería defectuosa. El cargador indicará que la unidad de batería es defectuosa al no iluminarse o al indicar que existe un problema con la unidad o el cargador.

NOTA: Esto también puede significar que hay un problema con el cargador.

Si el cargador indica un problema, lleve el cargador y la batería a un centro de servicio autorizado para que sean sometidos a pruebas.

Retraso por batería caliente/fría

Cuando el cargador detecta que una batería está demasiado caliente o demasiado fría, inicia automáticamente un Retraso por batería caliente/fría y suspende la carga hasta que la batería alcanza una temperatura adecuada. En ese momento, el cargador inicia automáticamente el modo de carga de la batería. Esta función garantiza la máxima duración de la batería.

Una batería fría se carga más lentamente que una batería caliente. La batería se cargará a ese ritmo más lento durante todo el ciclo de carga y no volverá a cargarse a la velocidad de carga máxima incluso si la batería se calienta.

El cargador DCB118 está equipado con un ventilador interno diseñado para enfriar la batería. El ventilador se encenderá automáticamente cuando la batería tenga que enfriarse.

No opere nunca el cargador si el ventilador no funciona adecuadamente o si las ranuras de ventilación están obstruidas. No permita que entren objetos extraños dentro del cargador.

Sistema de protección electrónica

Las herramientas con baterías de iones de litio están diseñadas con un Sistema de protección electrónico que protegerá la batería contra la sobrecarga, el sobrecalentamiento o la descarga completa.

La herramienta se apagará automáticamente si el Sistema de protección electrónico se activa. Si esto ocurre, coloque la batería de iones de litio en el cargador hasta que esté totalmente cargada.

Montaje en la pared

DCB107, DCB112, DCB113, DCB115, DCB118, DCB132

Estos cargadores están diseñados para montarse en la pared o colocarse en posición vertical sobre una mesa o superficie de trabajo. Si lo monta en la pared, coloque el cargador al alcance de una toma de corriente eléctrica y alejado de las esquinas u otras obstrucciones que puedan impedir el flujo de aire. Utilice la parte de atrás del cargador como plantilla para la ubicación de los tornillos de montaje en la pared. Monte el cargador firmemente utilizando tornillos para muro seco (comprados por separado) de un mínimo de 25,4 mm (1") de largo, con una cabeza de un diámetro de 7–9 mm (0,28–0,35"), atornillados en madera hasta una profundidad óptima dejando el tornillo expuesto aproximadamente 5,5 mm (7/32"). Alinee las ranuras en la parte trasera del cargador con los tornillos expuestos e introdúzcalos totalmente en las ranuras.

Instrucciones de limpieza del cargador

⚠ ADVERTENCIA: Riesgo de descarga eléctrica. Desconecte el cargador del tomacorriente de CA antes de limpiarlo. Para limpiar la suciedad y grasa del exterior del cargador puede usarse un paño o cepillo suave no metálico. No use agua ni soluciones limpiadoras.

Notas importantes sobre la carga

- Se puede obtener una mayor duración y un mejor rendimiento si la unidad de batería se carga a una temperatura ambiente de 18–24 °C (65–75 °F). NO cargue la unidad de batería a una temperatura ambiental inferior a +4.5 °C (+40 °F) o superior a +40 °C (+104 °F). Esto es importante y evitará causar daños graves a la batería.
- Puede que el cargador y la unidad de batería se calienten ligeramente durante el proceso de carga. Esto es normal y no representa ningún problema. Para facilitar el enfriamiento de la unidad de batería después del uso, evite colocar el cargador o la unidad de batería en un lugar cálido, como un cobertizo metálico o un remolque sin aislamiento térmico.
- Si la unidad de batería no se carga correctamente:
 - Verifique el funcionamiento de la toma enchufando una lámpara u otro aparato;
 - Revise que la toma de corriente no esté conectada a un interruptor de luz que corte la corriente cuando se corte la luz;
 - Mueva el cargador y la unidad de batería a un lugar donde la temperatura ambiental sea aproximadamente 18–24 °C (65–75 °F);
 - Si el problema de carga continúa, lleve la herramienta, unidad de batería y el cargador a su centro de servicio local.
- La unidad de batería debería ser recargada cuando no sea capaz de producir suficiente potencia para trabajos que eran fácilmente realizados antes. NO CONTINÚE usándola bajo estas circunstancias. Siga el procedimiento de carga. También puede cargar una unidad de batería que haya sido usada parcialmente cuando lo desee, sin dañarla.
- Los materiales ajenos conductores por naturaleza, tales como, pero sin limitarse a, el polvo del esmerilado, las virutas metálicas, la lana de acero, el papel de aluminio o cualquier acumulación de partículas metálicas deberían mantenerse alejados de las cavidades del cargador. Desenchufe siempre el cargador de la toma de corriente cuando no haya una unidad de batería en su cavidad. Desenchufe el cargador antes de intentar limpiarlo.
- No congele ni sumerja el cargador en agua o cualquier otro líquido.

Recomendaciones de almacenamiento

- El mejor lugar de almacenamiento es uno que sea fresco y seco, lejos de la luz solar directa y del exceso de calor o frío.
- Para resultados óptimos durante tiempos prolongados de almacenamiento, se recomienda almacenar la unidad de batería completamente cargada en un lugar fresco y seco fuera del cargador.

NOTA: Las unidades de batería no deberían almacenarse completamente descargadas. La unidad de batería deberá recargarse antes de ser usada.

GUARDE ESTAS INSTRUCCIONES PARA VOLVER A CONSULTAR EN EL FUTURO

COMPONENTES (FIG. A)

⚠ ADVERTENCIA: Nunca modifique la herramienta eléctrica, ni tampoco ninguna de sus piezas. Podría producir lesiones corporales o daños.

Consulte la Figura A al principio de este manual para obtener una lista completa de los componentes.

Especificaciones de la herramienta	
Modo de disparo	Secuencial o RapidCycle™
Voltaje	20
Altura	346 mm (13,5")
Ancho	104 mm (4")
Longitud	335 mm (13,25")
Peso	3,629 kg (8,0 lb)
Ángulo del depósito	33°
Capacidad de carga	Hasta 29 clavos

Especificación de los clavos	
Longitudes de los clavos	38,1 mm – 63,5 mm (1-1/2" – 2-1/2")
Diámetros de la espiga	2,8 mm – 3,3 mm (.113" – .131")
Ángulos de las varillas de los clavos	30° – 34°

Uso Debido

La clavadora para conectores metálicos DCN693 está diseñada para utilizarse **SOLAMENTE** para fijar accesorios de montaje metálicos a materiales de construcción de madera. Esta herramienta tiene dos modos de funcionamiento: un modo de secuencial y un modo secuencial único rápido (RapidCycle™). Lea la sección del manual iSelección de modos antes de utilizar la herramienta para asegurarse de que está seleccionando el modo adecuado para su aplicación.

⚠ ADVERTENCIA: Sólo use sujetadores de conector de metal con esta herramienta, otros tipos de sujetadores pueden dañar la placa del conector o flexionarse causando lesiones.

NO utilice la herramienta en condiciones de humedad o en presencia de líquidos o gases inflamables.

Para instalar conectores deben usarse en esta herramienta solamente los sujetadores recomendados por el fabricante de accesorios de montaje de conectores de metal y que cumplan con los requisitos de los códigos de construcción aplicables.

Esta herramienta está diseñada para ser utilizada por profesionales de la construcción.

NO permita que los niños toquen la herramienta. Si el operador no tiene experiencia operando esta herramienta, su uso deberá ser supervisado.

Bloqueo de disparo sin carga

La clavadora está equipada con un bloqueo de disparo sin carga que evita que la herramienta funcione cuando el cargador está casi vacío. Cuando quedan aproximadamente entre 7 y 9 clavos en el cargador, la herramienta deja de funcionar. Consulte la sección **Carga de la herramienta** para volver a cargar una tira de clavos.

OPERACIÓN

⚠ ADVERTENCIA: Lea la sección titulada **Advertencias de seguridad de la clavadora** al principio de este manual. Lleve siempre protección ocular y auditiva cuando utilice esta herramienta. No apunte la clavadora a ninguna persona ni a usted mismo. Para un funcionamiento seguro, complete los siguientes procedimientos y verificaciones antes de cada utilización de la clavadora.

- Lleve protección ocular, auditiva y respiratoria adecuada.
- Saque la batería de la herramienta.
- Bloquee el liberador del propulsor en la posición de atrás y saque todas las tiras de clavos del cargador.
- Compruebe que el activador por contacto y las piezas del liberador del propulsor funcionen de forma suave y correcta. No utilice la herramienta si alguna pieza no funciona correctamente. **NUNCA** utilice una herramienta con el activador por contacto bloqueado en la posición superior.
- No utilice **NUNCA** una herramienta con piezas dañadas.

⚠ ADVERTENCIA: Para reducir el riesgo de lesión corporal, desconecte la batería de la herramienta antes de realizar mantenimiento, desatascar clavos, marcharse de la zona de trabajo, mover la herramienta a otro lugar o entregar la herramienta a otra persona.

⚠ ADVERTENCIA: si la herramienta se ha caído o usted piensa que ha sufrido un daño, realice una prueba de funcionamiento de la herramienta según se indica en la sección de selección de modo del manual. Si la herramienta no funciona según se indica en el manual, deje de utilizarla y hágala reparar en un centro de servicios autorizado de DeWALT.

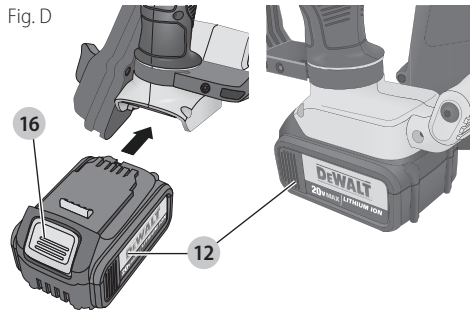
Cómo instalar y retirar la unidad de batería (Fig. D)

NOTA: Para mejores resultados, verifique que su unidad de batería esté completamente cargada.

Para instalar la unidad de batería **12** en el mango de la herramienta, alinee la unidad de batería con los rieles en el interior del mango de la herramienta y deslícela en el mango hasta que la unidad de batería quede firmemente insertada en la herramienta; verifique que ésta no se salga sola.

Para retirar la unidad de alimentación de la herramienta, presione los botones de liberación **16** y tire firmemente de la unidad de batería para sacarla del mango de la herramienta. Insértela en el cargador tal como se describe en la sección del cargador de este manual.

AVISO: No guarde la herramienta con la batería instalada. Para evitar daños a la batería y asegurar la mejor vida útil de la misma, guarde las baterías fuera de la herramienta o cargador en un lugar frío y seco.



Preparación de la herramienta



AVISO: NUNCA rocíe ni aplique de ninguna otra forma lubricantes o solventes de limpieza en el interior de la herramienta. Esto puede afectar gravemente la duración y el rendimiento de la herramienta.

NOTA: La batería incluida en la caja no está completamente cargada. Siga las instrucciones indicadas (consulte la sección **Carga de una batería**).

1. Lea la sección **Advertencias de seguridad de la clavadora de este manual**.
2. Lleve protección ocular y auditiva.
3. Saque la batería de la herramienta.
4. Asegúrese de que el cargador no tenga ningún clavo.
5. Compruebe que el activador por contacto y las piezas del liberador del propulsor funcionen correctamente y sin problemas. No utilice la herramienta si alguna pieza no funciona correctamente. NUNCA utilice una herramienta con el activador por contacto bloqueado en la posición de funcionamiento.
6. No apunte la herramienta a ninguna persona ni a usted mismo.
7. Introduzca la batería totalmente cargada.

Uso del botón de bloqueo del gatillo (Fig. E)

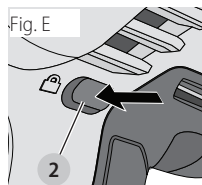
ADVERTENCIA: Para reducir el riesgo de lesiones corporales graves, no mantenga presionado el gatillo cuando no se está utilizando la herramienta. Mantenga el botón de bloqueo BLOQUEADO (Fig. E) cuando no se esté utilizando la herramienta.

ADVERTENCIA: Para reducir el riesgo de lesiones corporales graves, bloquee el gatillo, desconecte la batería de la herramienta y saque los clavos del cargador antes de realizar ajustes.

Cada clavadora DeWALT está equipada con un botón de bloqueo de gatillo **2** que cuando se empuja hacia la derecha, como se muestra en la Figura E, evita que la herramienta dispare un clavo bloqueando el gatillo y circunvalando la potencia al motor.

Cuando se presiona el botón de bloqueo del gatillo hacia la izquierda, la herramienta funciona adecuadamente. El botón de bloqueo del gatillo debe estar bloqueado (Fig. E) siempre que se realicen ajustes o cuando la herramienta no vaya a utilizarse de inmediato.

AVISO: No guarde la herramienta con la batería instalada. Para evitar daños a la batería y asegurar la mejor vida útil de la misma, guarde las baterías fuera de la herramienta o cargador en un lugar frío y seco.



Carga de la herramienta (Fig. A, F)

- ADVERTENCIA:** No apunte la herramienta a ninguna persona ni a usted mismo.
- ADVERTENCIA:** No cargue nunca clavos con el activador por contacto o el gatillo activados.
- ADVERTENCIA:** Saque siempre la batería antes de cargar o descargar los clavos.
- ATENCIÓN:** Mantenga los dedos alejados del riel del liberador del propulsor para evitar lesiones.
- ADVERTENCIA:** El botón de bloqueo del gatillo debe siempre estar activado cuando se realicen ajustes o cuando la herramienta no esté utilizándose.
- ADVERTENCIA:** Los sujetadores utilizados para instalar conectores de metal deben cumplir los requisitos de los códigos de construcción aplicables y deben ser instalados de conformidad con los requisitos de los códigos y las especificaciones del proveedor de

accesorios de montaje de conectores de metal. El no instalar adecuadamente los conectores puede ocasionar fallas estructurales.

1. Ponga la clavadora al revés.
2. Deslice el seguro del liberador propulsor con resorte **8** hasta la base del cargador para bloquearlo en su sitio.
3. Ponga las tiras de clavos en la ranura de carga del cargador, asegurándose de que las cabezas de los clavos estén alineadas correctamente con la apertura de la ranura. (Consulte la sección **Especificaciones de los clavos** para determinar el tamaño compatible).
4. Manteniendo los dedos alejados del riel, cierre el cargador soltando el seguro del liberador del propulsor. Deje que el seguro se deslice con cuidado hacia adelante y engrane la tira de clavos.



Descarga de la herramienta

ADVERTENCIA: El botón de bloqueo del gatillo debe siempre estar bloqueado cuando se realicen ajustes o cuando la herramienta no esté utilizándose.

1. Deslice el seguro del liberador del propulsor con resorte hasta la base del cargador para bloquearlo en su sitio.
 2. Incline la herramienta hacia arriba hasta que la tira de clavos se deslice libremente fuera del cargador.
- NOTA:** Si los clavos no se liberan presione la palanca de soporte de clavos **14**.
3. Con la batería quitada, compruebe la tobera para verificar que no queden clavos.

NOTA: La herramienta está equipada con un imán en la zona de la tobera para un mejor rendimiento de la herramienta. Al descargar, verifique siempre que las pequeñas tiras de clavos no estén pegadas a la tobera magnetizada.

Fijación de la longitud de clavos (Fig. G)

Esta clavadora está equipada con un botón de selección de longitud de clavo **15** ubicado en la base.

- Para clavos más cortos, seleccione la velocidad poniendo el botón en la posición más a la izquierda.
- Para clavos más largos y aplicaciones rigurosas, seleccione la velocidad 2 poniendo el botón posición más a la derecha.

En el caso de que los clavos no se introduzcan hasta profundidad necesaria en la velocidad 1, quizás tenga que cambiar a la velocidad 2 para una mayor potencia de clavado.

AVISO: Disparar clavos menores a 2" (50,8 mm) de longitud con el Ajuste de velocidad 2 causará desgaste excesivo a su herramienta y puede resultar en fallas y/o daño prematuros.

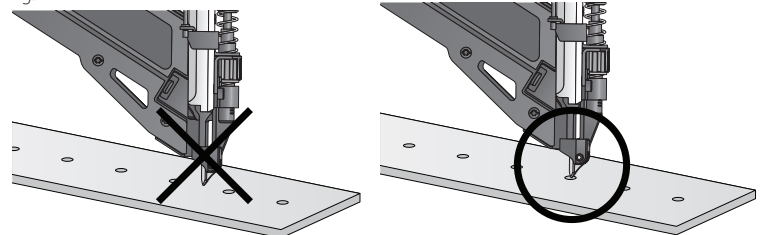


Velocidad	Ventaja	Longitud de clavo normal
2	Potencia para clavar clavos más largos	(63,5 mm) 2 -1/2"
1	Mayor durabilidad de la herramienta, mayor duración de la batería, mayor velocidad de disparo	(38,1 mm) 1 -1/2"

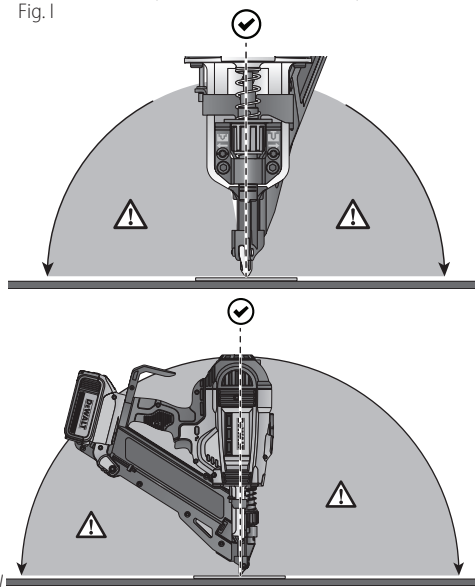
Funcionamiento/Disparo de la herramienta (Fig. A, H, I)

ADVERTENCIA: Los clavos con conector metálico no están diseñados para penetrar metal. Al instalar conectores metálicos, coloque SIEMPRE el punto expuesto de la punta del conector metálico **13** en el orificio preformado del conector metálico, y oriéntelo de manera que el clavo esté perpendicular al orificio antes de intentar insertar un clavo. Consulte la Figura H.

Fig. H



ADVERTENCIA: Los sujetadores se deben colocar rectos dentro del material. No incline la pistola de clavos mientras inserte los sujetadores. Los sujetadores que no se inserten rectos se pueden desviar, causando lesiones. Consulte la Fig. I.



causando lesiones. Consulte la Fig. I.

La herramienta puede disparar/ponerse en funcionamiento tirando del gatillo 1 en uno de los dos modos: secuencial o RapidCycle™. Consulte **Selección de modos** para obtener instrucciones detalladas para disparar en cada modo.

Selección de modos (Fig. A)

ADVERTENCIA: Lleve siempre protección ocular [ANSI Z87.1 (CAN/CSA Z94.3)] y auditiva ANSI S12.6 (S3.19) apropiada al operar la herramienta.

Para seleccionar el modo secuencial estándar, deslice el botón selector de modo 9 para mostrar el icono de una sola flecha ◀.

Para seleccionar el modo de funcionamiento secuencial rápido (RapidCycle™), deslice el botón selector de modo 9 para mostrar el icono de doble flecha ◀◀.

NOTA: La duración de la batería en el modo RapidCycle™ será más corta que en el modo secuencial rápido. Dejar la herramienta en el modo secuencial estándar proporcionará mayor duración a la batería.

Modo secuencial

El modo secuencial se utiliza para el clavado intermitente. Ofrece la máxima duración de la batería para el clavado.

1. Utilizando el botón selector de modo 9, seleccione el modo secuencial.
2. Libere el bloqueo de seguridad del gatillo 2.
3. Empuje el activador por contacto 6 contra la superficie de trabajo.
4. Apriete el interruptor de gatillo 1 para poner en marcha la herramienta.
5. Suelte el gatillo y levante la clavadora de la superficie de trabajo.
6. Repita los pasos 3 a 5 para accionar el siguiente clavo.

Modo Rapidcycle™

En el modo RapidCycle™, la velocidad de rotación del motor se restablece automáticamente después de clavar un clavo para permitir un clavado rápido consecutivo. Aunque ofrece la capacidad de clavar más clavos en menos tiempo, este modo agota más rápidamente la carga de la batería.

1. Utilizando el botón selector de modo 9, seleccione el modo RapidCycle™.
2. Libere el bloqueo de seguridad del gatillo 2.
3. Empuje el activador por contacto 6 contra la superficie de trabajo.
4. Apriete el interruptor de gatillo 1 para poner en marcha la herramienta.
5. Suelte el gatillo y levante la clavadora de la superficie de trabajo. **NOTA:** El motor de la herramienta vuelve a la velocidad total automáticamente sin presionar el activador por contacto 6.
6. Repita los pasos 3 a 5 para accionar el siguiente clavo.

Ajuste de la profundidad (Fig. J)

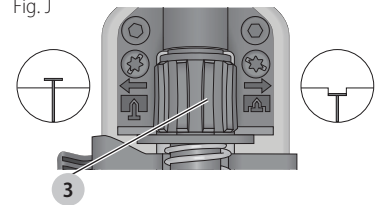
La profundidad a la que se clava un clavo puede ajustarse utilizando la rueda de ajuste de profundidad 3 en la tobera de la herramienta.

ADVERTENCIA: Para reducir el riesgo de lesiones graves debidas a una puesta en marcha accidental al tratar de ajustar la profundidad, SIEMPRE:

- Saque la batería.
- Engrane el botón de bloqueo del gatillo.










- No apunte nunca la tobera de la clavadora hacia usted.
- Evite el contacto con el gatillo durante los ajustes.

1. Para clavar el clavo menos profundamente, gire la rueda de ajuste de profundidad 3 hacia la izquierda, hacia el icono del clavo poco profundo.
2. Para clavar el clavo más profundamente, gire la rueda de ajuste de profundidad 3 hacia la derecha, hacia el icono del clavo más profundo.



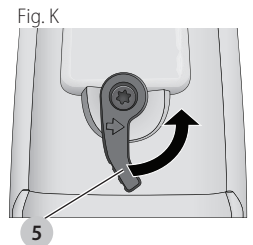
Indicador LED (Fig. A)

Hay una luz indicadora LED 4 ubicada en la parte trasera de la herramienta justo debajo de la tapa posterior.

		BATERÍA BAJA Cambie la batería por una batería cargada.
		BATERÍA CALIENTE Deje que se enfríe la batería o cámbiela por una batería fría.
		OBSTRUCCIÓN/PARADA Gire la palanca de liberación de parada liberarla. Consulte la sección Liberación de parada .
		HERRAMIENTA CALIENTE Deje enfriar la herramienta antes de continuar usándola.
	 o cualquier otra combinación.	ERROR Reajuste la herramienta retirando y volviendo a insertar la batería o activando y desactivando el botón de bloqueo del gatillo. Si persiste el código de error, lleve la herramienta a un centro de servicio DeWALT autorizado.

Liberación de parada (Fig. K)

Si se utiliza la clavadora en madera más dura cuando se usa toda la energía disponible del motor para clavar un clavo, la herramienta puede pararse. La hoja del impulsor no completará el ciclo de clavado y el indicador de obstrucción/parada parpadeará. Gire la palanca de liberación de parada 5 en la herramienta y el mecanismo se liberará. **NOTA:** La herramienta se desactivará y no se reajustará hasta que se haya sacado la batería se haya vuelto a insertar. Si la hoja de la guía no regresa automáticamente a la posición inicial, proceda a la **Extracción de un clavo atascado**. Si el aparato sigue parándose, revise el material y la longitud del clavo para asegurarse de que no se trate de una aplicación demasiado rigurosa.



Extracción de un clavo atascado (Fig. A, L)

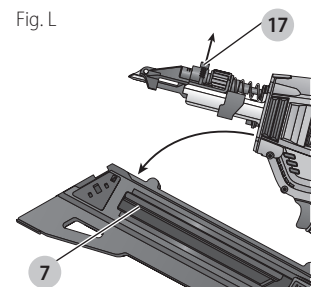
ADVERTENCIA: Para reducir el riesgo de lesiones personales graves, apague la herramienta y desconéctela de la fuente de alimentación antes de instalar y retirar accesorios, ajustar o cambiar configuraciones o realizar reparaciones. Un arranque accidental podría causar lesiones.

ATENCIÓN: Al extraer un clavo atascado, NO oriente la clavadora con la tobera hacia arriba o con la base de la batería levantada. Al colocar la clavadora de esta forma es más probable que el clavo atascado o trozos del clavo se introduzcan en la clavadora. Si cualquier porción de un clavo se introduce en la herramienta, el clavo se debe recuperar retirando la tapa superior.

Si se atasca un clavo en la tobera, no apunte la herramienta hacia usted y siga estas instrucciones para extraerlo:

1. Saque la batería de la herramienta y active el botón de bloqueo del gatillo.
 2. Después de colocar la herramienta de lado, deslice el seguro del liberador del propulsor con resorte 8 hasta la base del cargador para bloquearlo en su sitio y descargue la tira de clavos.
- NOTA:** Si los clavos no se liberan presione la palanca de soporte de clavos 14.

Fig. L



- Utilizando la llave hexagonal **11** provista, afloje los dos pernos hexagonales **17** en la parte de arriba del cargador.
- Gire el cargador **7** hacia adelante.
- Saque el clavo atascado/doblado con unas pinzas si es necesario.

⚠ ATENCIÓN: Si alguna parte de un clavo se introduce en la herramienta, el clavo debería sacarse retirando la tapa superior.

- Si la hoja de la guía está en posición hacia abajo, gire la palanca de liberación de parada en la parte superior de la clavadora.
NOTA: Si la hoja de la guía no se reajusta después de girar la palanca de liberación de parada, puede ser necesario ajustar la hoja manualmente con un destornillador largo.
- Vuelva a girar el cargador hasta su posición bajo la tobera de la herramienta y apriete los pernos hexagonales.
- Vuelva a insertar la batería.
NOTA: La herramienta se desactivará y no se reajustará hasta que se haya sacado la batería y se haya vuelto a insertar.
- Vuelva a insertar los clavos en el cargador (consulte la sección **Carga de la herramienta**).
- Libere el seguro del liberador del propulsor.
- Desengrane el botón de bloqueo del gatillo cuando esté listo para seguir clavando.

NOTA: Si los clavos se atascan con frecuencia o la hoja de la guía no se reajusta continuamente, lleve la herramienta a un centro de servicio DeWALT autorizado para que la reparen.

Funcionamiento en climas fríos

Cuando utilice herramientas a temperaturas bajo cero:

- Mantenga la herramienta lo más caliente posible antes de utilizarla.
- Accione la herramienta de 10 a 15 veces en madera de desecho antes de usarla.

Funcionamiento en climas cálidos

La herramienta debería funcionar normalmente. Sin embargo, no exponga la herramienta a la luz solar directa, ya que el calor excesivo puede deteriorar los topes y otras piezas de goma con lo cual aumenta la necesidad de mantenimiento.

Gancho de arrastre giratorio (Fig. M)

- ⚠ ADVERTENCIA:** No use nunca el gancho para colgar la herramienta del cinturón o de otra prenda de ropa a menos que la herramienta esté en modo de funcionamiento secuencial.
- ⚠ ADVERTENCIA:** Quite los clavos del depósito antes de realizar ajustes o el mantenimiento de la herramienta. El incumplimiento de esta indicación podría provocar daños graves.
- ⚠ ATENCIÓN:** Cuando no se utilice, coloque la herramienta de costado en una superficie estable donde no haya peligro de tropezones o caídas.
- ⚠ ATENCIÓN:** Algunas herramientas con baterías grandes permanecerán de forma vertical sobre la batería, pero pueden derribarse fácilmente..

La clavadora inalámbrica DeWALT incluye un gancho de arrastre giratorio **10** y puede posicionarse fácilmente hacia la izquierda o la derecha de la herramienta para adaptarse a los usuarios zurdos o diestros.

Si no se desea el uso del gancho, puede girarse hasta la parte delantera o trasera de la base del mango.

MANTENIMIENTO

- ⚠ ADVERTENCIA:** Para reducir el riesgo de lesiones personales graves, apague la herramienta y retire el paquete de baterías antes de realizar ajustes o de retirar/instalar dispositivos o accesorios. Un arranque accidental podría causar lesiones.

Tabla de mantenimiento diario

ACCIÓN	Limpie el depósito, el impulsor y el mecanismo del activador por contacto.
MOTIVO	Permite que el depósito funcione correctamente, reduce el desgaste y previene los atascos.
PROCEDIMIENTO	La forma más eficaz de limpiar la herramienta es soplandola con aire comprimido. El uso de aceites, lubricantes o solventes periódicamente no se recomienda ya que tienden a atraer residuos y/o dañan las piezas de plástico de la herramienta.
ACCIÓN	Antes de cada utilización, compruebe que todos los tornillos y clavos estén apretados e intactos.
POR QUÉ	Evita los atascos y el fallo prematuro de las piezas de la herramienta.
CÓMO	Apriete los tornillos flojos utilizando la llave hexagonal o atornillador adecuado.

Limpieza

- ⚠ ADVERTENCIA:** Sople la suciedad y el polvo de todos los conductos de ventilación con aire seco, al menos una vez por semana. Para reducir el riesgo de lesiones, utilice siempre protección para los ojos aprobada ANSI Z87.1 al realizar esta tarea.

- ⚠ ADVERTENCIA:** Nunca utilice solventes ni otros químicos abrasivos para limpiar las piezas no metálicas de la herramienta. Estos productos químicos pueden debilitar los materiales plásticos utilizados en estas piezas. Utilice un paño humedecido sólo con agua y jabón neutro. Nunca permita que penetre líquido dentro de la herramienta ni sumerja ninguna de las piezas en un líquido.

Lubricación

- ⚠ AVISO: NUNCA** rocíe ni aplique de ninguna otra forma lubricantes o solventes de limpieza en el interior de la herramienta. Esto puede afectar gravemente la duración y el rendimiento de la herramienta.

Las herramientas DeWALT son lubricadas adecuadamente en fábrica y están listas para usar. No obstante, se recomienda que, una vez al año, lleve o envíe la herramienta a un centro de mantenimiento certificado para que le realicen una limpieza e inspección completas.

Accesorios

- ⚠ ADVERTENCIA:** Debido a que no se han probado con este producto otros accesorios que no sean los que ofrece DeWALT., el uso de dichos accesorios con esta herramienta podría ser peligroso. Para reducir el riesgo de lesiones, con este producto deben usarse sólo los accesorios recomendados por DeWALT.

Los accesorios que se recomiendan para utilizar con la herramienta están disponibles a un costo adicional en su distribuidor local o en un centro de mantenimiento autorizado. Si necesita ayuda para localizar algún accesorio, póngase en contacto con DeWALT Industrial Tool Co., 701 East Joppa Road, Towson, MD 21286, llame al 1-800-4-DeWALT (1-800-433-9258) o visite nuestro sitio web: www.DeWALT.com.

Reparaciones

El cargador y las unidades de batería no pueden ser reparados.

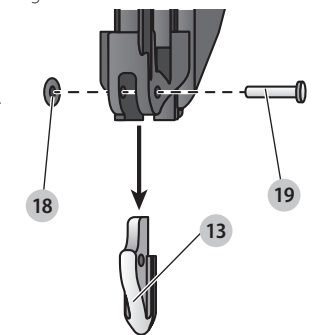
- ⚠ ADVERTENCIA:** Para asegurar la SEGURIDAD y la CONFIABILIDAD del producto, las reparaciones, el mantenimiento y los ajustes (inclusive la inspección y el cambio de las escobillas, cuando proceda) deben ser realizados en un centro de mantenimiento en la fábrica DeWALT u en un centro de mantenimiento autorizado DeWALT. Utilice siempre piezas de repuesto idénticas.

Cambio de punta DCN6931 (FIG. N)

Con el tiempo, la punta de conexión metálica **13** se desgastará y tendrá que cambiarse.

- ⚠ ADVERTENCIA:** Por su propia seguridad, lea el manual de instrucciones de la herramienta antes de usar cualquiera de los accesorios. De no seguir estas advertencias podrían producirse lesiones corporales y graves daños a la herramienta y al accesorio. Cuando realice el mantenimiento de esta herramienta, utilice únicamente repuestos originales.

Fig. N



Para cambiar la punta de conexión metálica

- Utilizando un destornillador de cabeza plana, empuje suavemente la arandela de goma dura **18** para sacarla del perno de fijación de la punta **19**.
- Deslice el perno **19** para sacarlo de la tobera de la clavadora.
- Tire de la punta desgastada/dañada para sacarla de la tobera.
- Inserte una nueva punta de conexión metálica.
- Vuelva a insertar el perno de fijación **19** a través de la tobera y la punta de conexión metálica.
- Vuelva a empujar la arandela de goma dura **18** en el perno de fijación.

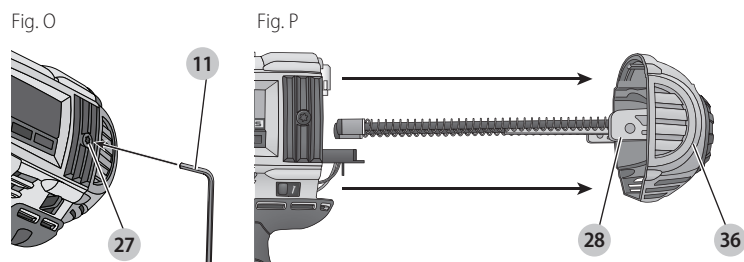
Kit de reemplazo del muelle de retorno DCN690 (Fig. M-T)

- ⚠ ADVERTENCIA:** Por su propia seguridad, lea el manual de instrucciones de la herramienta antes de usar cualquiera de los accesorios. De no seguir estas advertencias podrían producirse lesiones corporales graves y daños a la herramienta y al accesorio. Cuando realice el mantenimiento de esta herramienta, utilice únicamente repuestos originales.
- AVISO:** Todas las piezas mecánicas del kit de reemplazo del muelle se muestran para conveniencia y verificación de inclusión. El kit contiene también un sobrecito de adhesivo Loctite para utilizarse en el paso 9. Consulte la Fig. T.

Cómo cambiar muelles de retorno rotos

NOTA: Los muelles deben reemplazarse por pares, utilizando solamente el kit correcto de reemplazo de muelle accesorio DeWALT.

- Utilizando la llave **11** provista, afloje los dos tornillos **27** en ambos lados de la herramienta. Consulte la Figura O.
- Saque el sistema de retorno **28** de la herramienta. Consulte la Figura P.



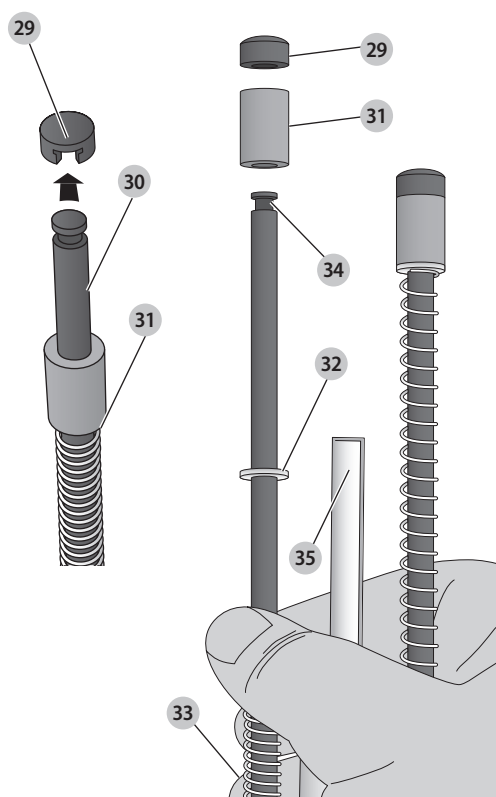
- Deslice el gancho del riel del muelle 29 para sacarlo del riel del muelle 30. Consulte la Figura Q.
- Gire y saque el tope del muelle 31 y saque la arandela 32 y el muelle de retorno 33. Consulte la Figura R.
- Monte el nuevo muelle de retorno y la arandela en el riel del muelle 30. Mientras presiona el muelle con la arandela cerca del extremo opuesto del riel, ponga el tope del nuevo muelle girándolo hasta que esté más allá de la ranura 34 para gancho del riel del muelle.
- Monte bien el gancho del riel del muelle nuevo y coloque el tope contra el gancho.
- Repita los pasos 3 a 6 para el segundo muelle.

NOTA: Revise el retorno del perfil deslizando el perfil 35 hasta el riel de resorte y liberándolo después. Debe regresar debido a la fuerza de los resortes.

- Vuelva a deslizar el sistema de retorno 28 en la herramienta. Es importante probar el alineamiento del perfil y el volante antes de volver a atornillar el sistema de retorno en la herramienta. Esto puede realizarse conectando una batería y empujando y luego soltando la tobera de la herramienta contra un banco o superficie dura. Así empezará a girar el motor.

Fig. Q

Fig. R



NOTA: Cuando el perfil y el volante estén alineados correctamente, oírás que el motor vuelve a reducir la velocidad desde la velocidad máxima. Si el perfil y el volante no están alineados correctamente, quizás no arranque el motor o se ralentice mucho más rápido de lo normal y la herramienta emita un fuerte chirrido. Si ocurre esto saque el sistema de retorno y vuélvalo a posicionar.

- Una vez que esté colocado correctamente el sistema de retorno, abra el sobrecito provisto de Loctite** y aplique una cantidad pequeña en la rosca de los dos tornillos 27 y vuelva a montar los dos tornillos utilizando la llave y apriete firmemente.

⚠️ ADVERTENCIA: Compruebe siempre la herramienta disparando clavos cortos en madera blanda, para asegurarse de que esté funcionando adecuadamente. Si la herramienta no funciona bien, contacte con un centro de servicio DeWALT reconocido inmediatamente.

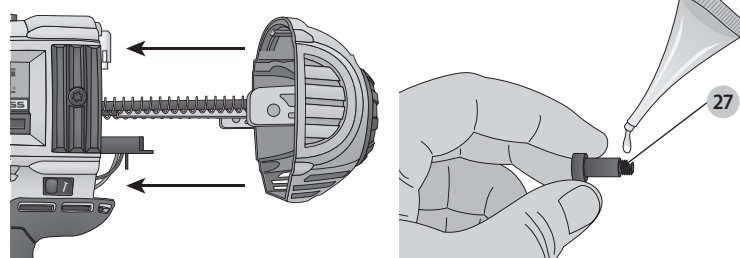
⚠️ ADVERTENCIA: El contenido del sobrecito de loctite* puede irritar los ojos, la piel y el sistema respiratorio. Utilizar todo el contenido al abrirlo. No respirar los humos. Evitar que le llegue a los ojos, a la piel o a la ropa. Utilizar únicamente en un lugar bien ventilado. Mantener fuera del alcance de los niños. **TRATAMIENTO DE PRIMEROS AUXILIOS:** Contiene dimetacrilato de poliglicol, oleato de poliglicol, glicol propilénico, dióxido de titanio e hidropéroxido de cumeno. En caso de ingestión, llamar al Centro de Intoxicaciones o a un médico inmediatamente. No provocar el vómito. Si se inhala mover a la persona a un

lugar donde le dé el aire fresco. Si entra en los ojos, enjuagar con agua durante 15 minutos. Obtener atención médica. Si entra en contacto con la piel, enjuagar bien con agua. Si llega a la ropa, quítarsela.

*Loctite® es una marca registrada de Henkel Corp.

Fig. S

Fig. T



Para reparación y servicio de sus herramientas eléctricas, favor de dirigirse al Centro de Servicio más cercano

CULIACAN, SIN

Blvd. Emiliano Zapata 5400-1 Poniente Col. San Rafael (667) 717 89 99

GUADALAJARA, JAL

Av. La Paz #1779 - Col. Americana Sector Juárez (33) 3825 6978

MEXICO, D.F.

Eje Central Lázaro Cárdenas No. 18 - Local D, Col. Obrera (55) 5588 9377

MERIDA, YUC

Calle 63 #459-A - Col. Centro (999) 928 5038

MONTERREY, N.L.

Av. Francisco I. Madero 831 Poniente - Col. Centro (818) 375 23 13

PUEBLA, PUE

17 Norte #205 - Col. Centro (222) 246 3714

QUERETARO, QRO

Av. San Roque 274 - Col. San Gregorio (442) 2 17 63 14

SAN LUIS POTOSI, SLP

Av. Universidad 1525 - Col. San Luis (444) 814 2383

TORREON, COAH

Blvd. Independencia, 96 Pte. - Col. Centro (871) 716 5265

VERACRUZ, VER

Prolongación Díaz Mirón #4280 - Col. Remes (229) 921 7016

VILLAHERMOSA, TAB

Constitución 516-A - Col. Centro (993) 312 5111

PARA OTRAS LOCALIDADES:

Si se encuentra en México, por favor llame al (55) 5326 7100

Si se encuentra en U.S., por favor llame al 1-800-433-9258 (1-800 4-DEWALT)

Póliza de Garantía

IDENTIFICACIÓN DEL PRODUCTO:

Sello o firma del Distribuidor.

Nombre del producto: _____

Mod./Cat.: _____

Marca: _____

Núm. de serie: _____

(Datos para ser llenados por el distribuidor)

Fecha de compra y/o entrega del producto: _____

Nombre y domicilio del distribuidor donde se adquirió el producto: _____

Este producto está garantizado por un año a partir de la fecha de entrega, contra cualquier defecto en su funcionamiento, así como en materiales y mano de obra empleados para su fabricación. Nuestra garantía incluye la reparación o reposición del producto y/o componentes sin cargo alguno para el cliente, incluyendo mano de obra, así como los gastos de transportación razonablemente erogados derivados del cumplimiento de este certificado.

Para hacer efectiva esta garantía deberá presentar su herramienta y esta póliza sellada por el establecimiento comercial donde se adquirió el producto, de no contar con ésta, bastará la factura de compra.

Excepciones

Esta garantía no será válida en los siguientes casos:

- Cuando el producto se hubiese utilizado en condiciones distintas a las normales;
- Cuando el producto no hubiese sido operado de acuerdo con el instructivo de uso que se acompaña;
- Cuando el producto hubiese sido alterado o reparado por personas distintas a las enlistadas al final de este certificado.

Anexo encontrará una relación de sucursales de servicio de fábrica, centros de servicio autorizados y franquiciados en la República Mexicana, donde podrá hacer efectiva su garantía y adquirir partes, refacciones y accesorios originales.

Registro en línea

Gracias por su compra. Registre su producto ahora para:

- **SERVICIO EN GARANTÍA:** Si completa esta tarjeta, podrá obtener un servicio en garantía más eficiente, en caso de que exista un problema con su producto.
- **CONFIRMACIÓN DE PROPIEDAD:** En caso de una pérdida que cubra el seguro, como un incendio, una inundación o un robo, el registro de propiedad servirá como comprobante de compra.
- **PARA SU SEGURIDAD:** Si registra el producto, podremos comunicarnos con usted en el caso improbable que se deba enviar una notificación de seguridad conforme a la Federal Consumer Safety Act (Ley Federal de Seguridad de Productos para el Consumidor).

Registro en línea en www.DeWALT.com/register.

Garantía limitada por tres años

DeWALT reparará, sin cargo, cualquier falla que surja de defectos en el material o la fabricación del producto, por hasta tres años a contar de la fecha de compra. Esta garantía no cubre fallas de las piezas causadas por su desgaste normal o abuso a la herramienta. Para mayores detalles sobre la cobertura de la garantía e información acerca de reparaciones realizadas bajo garantía, visítenos en www.DeWALT.com o diríjase al centro de servicio más cercano. Esta garantía no aplica a accesorios o a daños causados por reparaciones realizadas o intentadas por terceros. ESTA GARANTÍA LIMITADA SE OTORGA EN VEZ DE TODAS LAS DEMÁS, INCLUIDA LA GARANTÍA IMPLÍCITA DE COMERCIABILIDAD Y APTITUD PARA UN FIN PARTICULAR, Y EXCLUYE TODOS LOS DAÑOS INCIDENTALES O CONSECUENTES. Algunos estados no permiten limitaciones sobre la duración de una garantía implícita, o la exclusión o limitación de daños incidentales o consecuentes, así que estas limitaciones pueden no aplicarse a usted. Esta garantía le otorga derechos legales específicos, además de los cuales usted puede tener otros derechos dependiendo del estado o la provincia en que se encuentre.

Además de la garantía, las herramientas DeWALT están cubiertas por:

1 AÑO DE SERVICIO GRATUITO

DeWALT hará el mantenimiento de la herramienta y cambiará las piezas desgastadas por el uso normal gratis en cualquier momento durante el primer año después de la compra. Las piezas de desgaste de la clavadora como los muelles de retorno, las hojas de la guía y los topes no están cubiertos.

2 AÑOS DE SERVICIO GRATUITO PARA UNIDADES DE ALIMENTACIÓN DEWALT

DC9071, DC9091, DC9096, DC9182, DC9280, DC9360, DCB120, DCB127, DCB201, DCB203, DCB203BT, DCB207, DCB361

3 AÑOS DE SERVICIO GRATUITO PARA UNIDADES DE ALIMENTACIÓN DEWALT

DCB200, DCB204, DCB204BT, DCB205, DCB205BT, DCB206, DCB606, DCB609

NOTA: La garantía del producto quedará nula si la unidad de batería ha sido alterada de cualquier manera. DeWALT no es responsable de ninguna lesión causada por alteraciones y podría iniciar un procedimiento judicial por fraude de garantía hasta el máximo grado permisible por la ley.

GARANTÍA DE REEMBOLSO DE SU DINERO POR 90 DÍAS

Si no está completamente satisfecho con el desempeño de su máquina herramienta, láser o clavadora DeWALT, cualquiera sea el motivo, podrá devolverlo hasta 90 días de la fecha de compra con su recibo y obtener el reembolso completo de su dinero – sin necesidad de responder a ninguna pregunta.

AMÉRICA LATINA: Esta garantía no se aplica a los productos que se venden en América Latina. Para los productos que se venden en América Latina, debe consultar la información de la garantía específica del país que viene en el empaque, llamar a la compañía local o visitar el sitio Web a fin de obtener esa información.

REEMPLAZO GRATUITO DE LAS ETIQUETAS DE ADVERTENCIAS: Si sus etiquetas de advertencia se vuelven ilegibles o faltan, llame al 1-800-433-9258 (1-800-4-DeWALT) para que se le reemplacen gratuitamente.

ESPECIFICACIONES

DCN693 20 V Máx* 13000 rpm

Solamente para propósito de México:

Importado por: DeWALT Industrial Tool Co. S.A. de C.V.

Avenida Antonio Dovali Jaime, # 70 Torre B Piso 9

Colonia La Fe, Santa Fé

Código Postal : 01210

Delegación Alvaro Obregón

México D.F.

Tel. (52) 555-326-7100

R.F.C.: BDE810626-1W7

GUÍA DE SOLUCIÓN DE PROBLEMAS

MUCHOS PROBLEMAS COMUNES PUEDEN RESOLVERSE FÁCILMENTE UTILIZANDO LA SIGUIENTE TABLA. PARA PROBLEMAS MÁS GRAVES O PERSISTENTES, CONTACTE CON UN CENTRO DE SERVICIO DeWALT O LLAME AL 1-(800)-4-DeWALT.

ADVERTENCIA: Para reducir el riesgo de lesiones corporales graves, desconecte SIEMPRE la batería de la herramienta antes de todas las reparaciones

SÍNTOMA	CAUSA	SOLUCIÓN
El motor no funciona con el gatillo presionado	Gatillo bloqueado en posición de bloqueo	Desbloquee el botón de bloqueo del gatillo
	La herramienta se ha parado, bloqueando el motor y no permitiendo que gire	Gire la palanca de liberación de parada en la herramienta y el mecanismo se liberará. Si la hoja de la guía no regresa, saque la batería y empuje manualmente la hoja de la guía hasta la posición inicial.
	La herramienta está en el modo secuencial	Presione primero el activador por contacto antes de disparar o cambie al modo de tope
	El sistema electrónico interno de la herramienta tiene que reajustarse	Saque la batería, espere 3 segundos y vuelva a insertarla
	El motor deja de funcionar después de 5 segundos	Funcionamiento normal, suelte el gatillo y vuelva a presionar
	Los terminales están sucios o dañados	Consulte con un centro de servicio autorizado
	Sistema electrónico interno dañado	Consulte con un centro de servicio autorizado
	Gatillo dañado	Consulte con un centro de servicio autorizado
	La batería está caliente	Deje que se enfríe la batería o cámbiela por una batería fría.
La herramienta está caliente	Deje enfriar la herramienta antes de continuar usándola.	
La herramienta no se activa (el motor funciona pero no dispara)	Bloqueo de disparo sin carga activado, que impide que el activador por contacto viaje completamente	Cargue clavos en el cargador
	Batería baja o dañada	Compruebe el nivel de carga si la batería muestra estado de carga. Cargue o cambie la batería si es necesario.
	Clavo atascado/hoja de la guía que no ha vuelto a su posición inicial	Saque la batería, despeje el clavo atascado y efectúe el ciclo de la palanca de liberación de parada. (empuje hacia arriba la hoja de la guía manualmente si es necesario) y reintroduzca la batería
	Guía/unidad de regreso dañada	Cambie la unidad de guía/retorno con el kit.
	Mecanismo interno atascado	Consulte con un centro de servicio autorizado.
	Sistema electrónico interno dañado	Consulte con un centro de servicio autorizado.
El motor arranca pero genera mucho ruido	Un clavo atascado y la hoja de la guía atascada en la posición inferior	Use la palanca de liberación de parada, despeje los clavos atascados y regrese la hoja de guía manualmente si es necesario.
	Guía/unidad de regreso dañada	Cambie la unidad de guía/retorno con el kit.
La hoja de la guía sigue atascándose en la posición inferior	Un clavo atascado y la hoja de la guía atascada en la posición inferior	Use la palanca de liberación de parada, despeje los clavos atascados y regrese la hoja de guía manualmente si es necesario.
	Guía/unidad de regreso dañada	Cambie la unidad de guía/retorno con el kit.
	Residuos en la tobera	Limpie la tobera y observe detenidamente si hay pequeños trozos de clavos rotos atascados en el riel. Consulte Extracción de un clavo atascado.
La herramienta funciona pero no clava lo clavos totalmente	El ajuste de profundidad está fijado demasiado poco profundo	Gire el ajuste de profundidad a una fijación más profunda
	La herramienta no está aplicada firmemente a la pieza de trabajo	Aplique la fuerza adecuada a la herramienta fijándola bien a la pieza de trabajo. Consulte el manual de instrucciones
	Longitud del material y del clavo	Si el aparato sigue parándose (forzando la necesidad de girar la palanca de liberación de parada) elija la longitud del material y del clavo apropiadas que no sea una aplicación demasiado rigurosa.
	Punta de la hoja de la guía dañada o desgastada	Cambie la unidad de guía/retorno con el kit.
	Mecanismo de funcionamiento dañado	Consulte con un centro de servicio autorizado.
	La herramienta todavía no ha hecho el rodaje	Las herramientas nuevas pueden necesitar de 500 a 1000 clavos para que las piezas se engranen y se desgasten juntas. Clave clavos más cortos durante este período si tiene problemas para clavar clavos al ras.
	Uso de la velocidad incorrecta	Si intenta clavar clavos más largos en maderas blandas, o clavar clavos en materiales más duros utilizando la velocidad 1 - ajuste la velocidad a la posición 2.
La herramienta funciona pero no se clava ningún clavo	No hay clavos en el cargador	Cargue los clavos en el cargador
	Clavos de tamaño o ángulo incorrecto	Use solamente los clavos recomendados. Consulte el Especificación de los clavos .
	Residuos en la tobera	Limpie la tobera y observe detenidamente si hay pequeños trozos de clavos rotos atascados en el riel
	Residuos en el cargador	Limpie el cargador.
	Cargador desgastado	Cambie el cargador. Consulte con un centro de servicio autorizado
	Punta de la hoja de la guía dañada o desgastada	Cambie la hoja de guía con el kit.
	Muelle del liberador del propulsor dañado	Cambie el muelle; consulte con un centro de servicio autorizado

SÍNTOMA	CAUSA	SOLUCIÓN
Clavo atascado	Clavos de tamaño o ángulo incorrecto	Use solamente los clavos recomendados. Consulte el Especificación de los clavos .
	Los tornillos del cargador no están bien fijados después del anterior despeje de obstrucción o inspección	Asegúrese de apretar los pernos hexagonales del cargador con la llave provista.
	Punta de la hoja de la guía dañada o desgastada	Cambie la hoja de la guía. Consulte un centro de servicio autorizado
	Longitud del material y el clavo	Si el aparato sigue parándose (forzando la necesidad de girar la palanca de liberación de parada) elija la longitud del material y del clavo apropiadas que no sea una aplicación demasiado rigurosa.
	Residuos en la tobera	Limpie la tobera y observe detenidamente si hay pequeños trozos de clavos rotos atascados en el riel
	Cargador desgastado	Cambie el cargador. Consulte con un centro de servicio autorizado
	Resorte del liberador del propulsor dañado	Cambie los resortes con el kit.
	El bloqueo de disparo sin carga se activa cuando sólo quedan de 7 a 9 clavos en el cargador y el usuario está ejerciendo una fuerza excesiva en el activador por contacto, anulando el bloqueo	Cargue más clavos en el cargador para desactivar el bloqueo de disparo sin carga.
	La herramienta todavía no ha hecho el rodaje	Las herramientas nuevas pueden necesitar de 500 a 1000 clavos para que las piezas se engranen y se desgasten juntas. Clave clavos más cortos durante este período si tiene problemas para clavar clavos al ras.
Uso de la velocidad incorrecta	Si intenta clavar clavos más largos en maderas blandas, o clavar clavos en materiales más duros utilizando la velocidad 1 - ajuste la velocidad a la posición 2.	
Los clavos no están en los orificios preformados	La punta no está colocada en el orificio preformado	Asegúrese de que la punta del conector metálico 13 está situada en el orificio preformado antes de disparar el clavo.
	La punta del conector metálico 13 está desgastada	Cambie la punta con el kit.
	Hay material atascado en la tobera, como por ejemplo una tira de clavos.	Despeje la tobera. Consulte Extracción de un clavo atascado.
Mal desempeño al perforar los orificios.	Punta de la guía dañada o desgastada	Cambie la punta con el kit. Si la herramienta sigue sin funcionar bien, llévela a un agente de reparaciones de DeWALT.

DeWALT BATTERY AND CHARGER SYSTEMS

**Chargers/Charge Time (Minutes) . Chargeurs/Durée de charge (Minutes) .
Cargadores de baterías/Tiempo de carga (Minutos)**

Battery Cat #	Output Voltage	120 Volts														12 Volts		
		DC9000	DC9310	DC9320	DC8095	DC8102	DC8103	DC8107	DC8112	DC8113	DC8114	DC8115	DC8116	DC8118	DC8132	DC8119	DW0249	DC8412
DCB609	20/60	X	X	X	X	135	135	432	270	230	X	135	X	75	270	X	X	X
DCB606	20/60	X	X	X	X	100	100	272	170	140	X	90	X	60	90	X	X	X
DCB404	40	X	X	X	X	X	X	X	X	X	90	X	30	X	X	X	X	130
DCB406	40	X	X	X	X	X	X	X	X	X	130	X	45	X	X	X	X	190
DCB407	40	X	X	X	X	X	X	X	X	X	170	X	60	X	X	X	X	235
DC9360	36	45	X	X	X	X	X	X	X	X	X	X	X	X	X	X	X	X
DCB361	36	45	X	X	X	X	X	X	X	X	X	X	X	X	X	X	X	X
DC9280	28	60	X	X	X	X	X	X	X	X	X	X	X	X	X	X	X	X
DW0242	24	X	X	X	X	X	X	X	X	X	X	X	X	X	X	X	60	X
DCB200	20	X	X	X	X	60	60	140	90	67	X	45	X	45/30**	45	90	X	X
DCB201	20	X	X	X	X	30	30	70	45	35	X	22	X	22	22	45	X	X
DCB203	20	X	X	X	X	35	35	90	60	45	X	30	X	30	30	60	X	X
DCB203BT*	20	X	X	X	X	35	35	90	60	45	X	30	X	30	30	60	X	X
DCB204	20	X	X	X	X	70	70	185	120	90	X	60	X	60/40**	60	120	X	X
DCB204BT*	20	X	X	X	X	70	70	185	120	90	X	60	X	60	60	120	X	X
DCB205	20	X	X	X	X	95	95	240	150	112	X	75	X	75/47**	75	150	X	X
DCB206	20	X	X	X	X	100	100	272	170	140	X	90	X	60	90	X	X	X
DCB207	20	X	X	X	X	30	30	60	40	30	X	22	X	22	22	X	X	X
DC9182	18	X	40	40	X	X	40	X	X	X	X	X	X	X	X	X	40	X
DCB120	12	X	X	X	X	30	30	60	45	35	X	20	X	X	X	45	X	X
DCB127	12	X	X	X	X	35	35	90	60	50	X	30	X	X	X	60	X	X
DCB080	8	X	X	X	60	X	X	X	X	X	X	X	X	X	X	X	X	X

*BT - Bluetooth® **NOTE:** The Bluetooth® word mark and logos are registered trademarks owned by the Bluetooth®, SIG, Inc. and any use of such marks by DeWALT is under license. Other trademarks and trade names are those of their respective owners.

**Battery Datecode 201536 or later.

"X" Indicates that the battery pack is not compatible with that specific charger. All charge times are approximate. Actual charge time may vary. Read the instruction manual for more specific information.

"X" indique que le bloc-piles n'est pas compatible avec ce chargeur. Les durées de charge sont approximatives; la durée de charge réelle peut varier. Lire le manuel d'utilisation pour obtenir des renseignements plus précis.

Una "X" indica que el paquete de baterías no es compatible con ese determinado cargador. El tiempo de duración de carga es aproximado; la duración de carga real puede variar. Lea el manual de instrucciones para obtener información más precisa.

* Maximum initial battery voltage (measured without a workload) is 20, 60 or 120 volts. Nominal voltage is 18, 54 or 108.

(120V Max* is based on using 2 DeWALT 60V Max* lithium-ion batteries combined.)

* La tension initiale maximum du bloc-piles (mesurée à vide) est de 20, 60 ou 120 volts. La tension nominale est de 18, 54 ou 108. (120 V Max* se base sur l'utilisation combinée de 2 blocs-piles au lithium ion DeWALT de 60 V Max*).

* El máximo voltaje inicial de la batería (medido sin carga de trabajo) es 20, 60 o 120 voltios. El voltaje nominal es de 18, 54 o 108. (120 V Máx* se basan en el uso de 2 baterías de iones de litio DeWALT de 60 V Máx* combinadas).