

DEWALT®



**Instruction Manual
Guide D'utilisation
Manual de instrucciones**

DCFS950

20V Max* XR Cordless Fencing Stapler

Agrafeuse pour clôtures sans fil XR 20 V max*

Engrapadora para Cercas Inalámbrica 20V Máx* XR

www.DEWALT.com

**If you have questions or comments, contact us.
Pour toute question ou tout commentaire, nous contacter.
Si tiene dudas o comentarios, contáctenos.**

1-800-4-DEWALT

ENGLISH

English (***original instructions***)

1

Français (*traduction de la notice d'instructions originale*)

18

Español (*traducido de las instrucciones originales*)

36

Definitions: Safety Alert Symbols and Words

This instruction manual uses the following safety alert symbols and words to alert you to hazardous situations and your risk of personal injury or property damage.



DANGER: Indicates an imminently hazardous situation which, if not avoided, **will** result in **death or serious injury**.



WARNING: Indicates a potentially hazardous situation which, if not avoided, **could** result in **death or serious injury**.



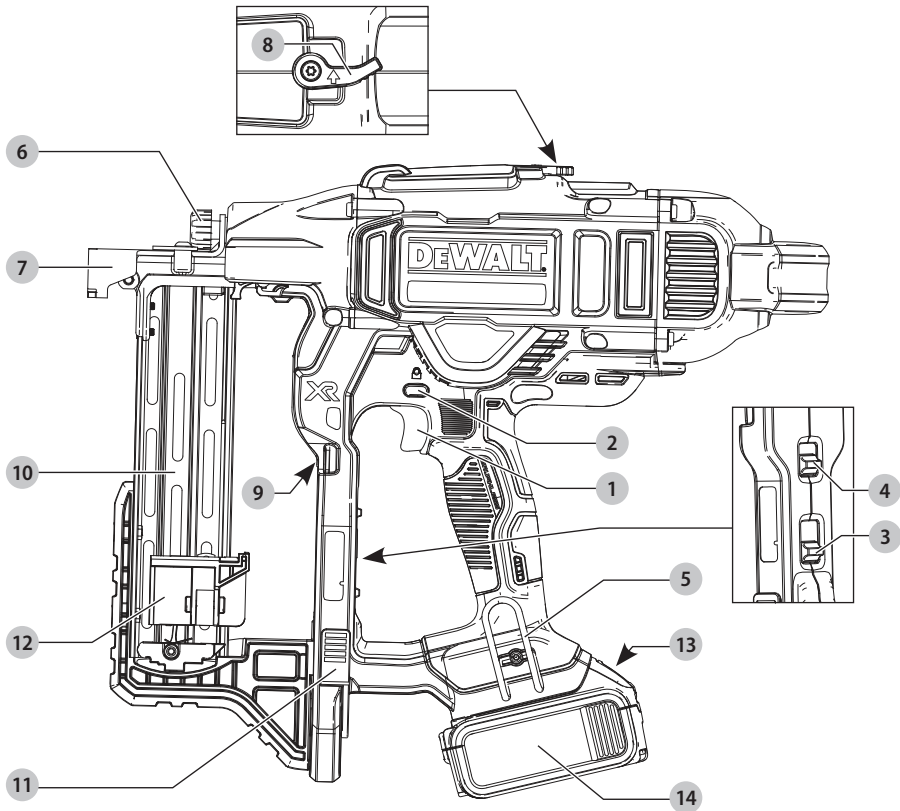
CAUTION: Indicates a potentially hazardous situation which, if not avoided, **may** result in **minor or moderate injury**.



(Used without word) Indicates a safety related message.

NOTICE: Indicates a practice **not related to personal injury** which, if not avoided, **may** result in **property damage**.

Fig. A



- | | |
|--------------------------|---------------------------|
| 1 Trigger | 8 Tool free stall release |
| 2 Trigger lock-off | 9 LED work lights (x2) |
| 3 Tool free power select | 10 Magazine |
| 4 Tool free mode select | 11 Magazine release |
| 5 Utility hook | 12 Pusher |
| 6 Tool free depth adjust | 13 Battery release button |
| 7 Contact trip | 14 Battery |



WARNING! Read all safety warnings and all instructions. Failure to follow the warnings and instructions may result in electric shock, fire and/or serious injury.



WARNING: To reduce the risk of injury, read the instruction manual.

If you have any questions or comments about this or any DEWALT tool, call us toll free at: 1-800-4-DEWALT (1-800-433-9258).

GENERAL POWER TOOL SAFETY WARNINGS



WARNING: Read all safety warnings, instructions, illustrations and specifications provided with this power tool. Failure to follow all instructions listed below may result in electric shock, fire and/or serious injury.

SAVE ALL WARNINGS AND INSTRUCTIONS FOR FUTURE REFERENCE.

The term "power tool" in the warnings refers to your mains-operated (corded) power tool or battery-operated (cordless) power tool.

1) Work Area Safety

- a) **Keep work area clean and well lit.** Cluttered or dark areas invite accidents.
- b) **Do not operate power tools in explosive atmospheres, such as in the presence of flammable liquids, gases or dust.** Power tools create sparks which may ignite the dust or fumes.
- c) **Keep children and bystanders away while operating a power tool.** Distractions can cause you to lose control.

2) Electrical Safety

- a) **Power tool plugs must match the outlet. Never modify the plug in any way. Do not use any adapter plugs with earthed (grounded) power tools.** Unmodified plugs and matching outlets will reduce risk of electric shock.
- b) **Avoid body contact with earthed or grounded surfaces, such as pipes, radiators, ranges and refrigerators.** There is an increased risk of electric shock if your body is earthed or grounded.
- c) **Do not expose power tools to rain or wet conditions.** Water entering a power tool will increase the risk of electric shock.
- d) **Do not abuse the cord. Never use the cord for carrying, pulling or unplugging the power tool. Keep cord away from heat, oil, sharp edges or moving parts.** Damaged or entangled cords increase the risk of electric shock.
- e) **When operating a power tool outdoors, use an extension cord suitable for outdoor use.** Use of a cord suitable for outdoor use reduces the risk of electric shock.
- f) **If operating a power tool in a damp location is unavoidable, use a ground fault circuit interrupter (GFCI) protected supply.** Use of a GFCI reduces the risk of electric shock.

3) Personal Safety

- a) **Stay alert, watch what you are doing and use common sense when operating a power tool. Do not use a power tool while you are tired or under the influence of drugs, alcohol or medication.** A moment of inattention while operating power tools may result in serious personal injury.
- b) **Use personal protective equipment. Always wear eye protection.** Protective equipment such as dust mask, non-skid safety shoes, hard hat, or hearing

protection used for appropriate conditions will reduce personal injuries.

- c) **Prevent unintentional starting. Ensure the switch is in the off-position before connecting to power source and/or battery pack, picking up or carrying the tool.** Carrying power tools with your finger on the switch or energizing power tools that have the switch on invites accidents.
- d) **Remove any adjusting key or wrench before turning the power tool on.** A wrench or a key left attached to a rotating part of the power tool may result in personal injury.
- e) **Do not overreach. Keep proper footing and balance at all times.** This enables better control of the power tool in unexpected situations.
- f) **Dress properly. Do not wear loose clothing or jewelry. Keep your hair, clothing and gloves away from moving parts.** Loose clothes, jewelry or long hair can be caught in moving parts.
- g) **If devices are provided for the connection of dust extraction and collection facilities, ensure these are connected and properly used.** Use of dust collection can reduce dust-related hazards.
- h) **Do not let familiarity gained from frequent use of tools allow you to become complacent and ignore tool safety principles.** A careless action can cause severe injury within a fraction of a second.

4) Power Tool Use and Care

- a) **Do not force the power tool. Use the correct power tool for your application.** The correct power tool will do the job better and safer at the rate for which it was designed.
- b) **Do not use the power tool if the switch does not turn it on and off.** Any power tool that cannot be controlled with the switch is dangerous and must be repaired.
- c) **Disconnect the plug from the power source and/or remove the battery pack, if detachable, from the power tool before making any adjustments, changing accessories, or storing power tools.** Such preventive safety measures reduce the risk of starting the power tool accidentally.
- d) **Store idle power tools out of the reach of children and do not allow persons unfamiliar with the power tool or these instructions to operate the power tool.** Power tools are dangerous in the hands of untrained users.
- e) **Maintain power tools and accessories. Check for misalignment or binding of moving parts, breakage of parts and any other condition that may affect the power tool's operation. If damaged, have the power tool repaired before use.** Many accidents are caused by poorly maintained power tools.
- f) **Keep cutting tools sharp and clean.** Properly maintained cutting tools with sharp cutting edges are less likely to bind and are easier to control.
- g) **Use the power tool, accessories and tool bits etc. in accordance with these instructions, taking into account the working conditions and the**

work to be performed. Use of the power tool for operations different from those intended could result in a hazardous situation.

- h) **Keep handles and grasping surfaces dry, clean and free from oil and grease.** Slippery handles and grasping surfaces do not allow for safe handling and control of the tool in unexpected situations.

5) Battery Tool Use and Care

- a) **Recharge only with the charger specified by the manufacturer.** A charger that is suitable for one type of battery pack may create a risk of fire when used with another battery pack.
- b) **Use power tools only with specifically designated battery packs.** Use of any other battery packs may create a risk of injury and fire.
- c) **When battery pack is not in use, keep it away from other metal objects, like paper clips, coins, keys, nails, screws or other small metal objects, that can make a connection from one terminal to another.** Shorting the battery terminals together may cause burns or a fire.
- d) **Under abusive conditions, liquid may be ejected from the battery; avoid contact. If contact accidentally occurs, flush with water. If liquid contacts eyes, additionally seek medical help.** Liquid ejected from the battery may cause irritation or burns.
- e) **Do not use a battery pack or tool that is damaged or modified.** Damaged or modified batteries may exhibit unpredictable behavior resulting in fire, explosion or risk of injury.
- f) **Do not expose a battery pack or tool to fire or excessive temperature.** Exposure to fire or temperature above 265 °F (130 °C) may cause explosion.
- g) **Follow all charging instructions and do not charge the battery pack or tool outside the temperature range specified in the instructions.** Charging improperly or at temperatures outside the specified range may damage the battery and increase the risk of fire.

6) Service

- a) **Have your power tool serviced by a qualified repair person using only identical replacement parts.** This will ensure that the safety of the power tool is maintained.
- b) **Never service damaged battery packs.** Service of battery packs should only be performed by the manufacturer or authorized service providers.

Stapler Safety Warnings

- **Always assume that the tool contains fasteners.** Careless handling of the stapler can result in unexpected firing of fasteners and personal injury.
- **Do not point the tool towards yourself or anyone nearby.** Unexpected triggering could discharge a fastener causing an injury.
- **Do not actuate the tool unless the tool is placed firmly against the workpiece.** If the tool is not in

contact with the workpiece, the fastener may be deflected away from your target.

- **Disconnect the tool from the power source when the fastener jams in the tool.** While removing a jammed fastener, the stapler may be accidentally activated if it is plugged in.
- **Do not use this stapler for fastening electrical cables.** It is not designed for electric cable installation and may damage the insulation of electric cables thereby causing electric shock or fire hazards.
- **Never operate tool with magazine disengaged or separated from tool.**

Additional Stapler Safety Warnings




WARNING: When using any stapler, all safety precautions, as outlined below, should be followed to avoid the risk of death or serious injury. Read and understand all instructions before operating the tool.

- **Keep hands and body parts away from the discharge area of the tool.** While in use NEVER grasp the tool by the magazine or canister, a mis-driven staple can exit the nose causing injury.
- **Hold tool by insulated gripping surfaces when performing an operation where the staple may contact hidden wiring.** Contact with a "live" wire will make exposed metal parts of the tool "live" and shock the operator.
- **Always wear appropriate personal hearing and other protection during use.** Under some conditions and duration of use, noise from this product may contribute to hearing loss.
- **Disconnect battery pack from the tool when not in use.** Always remove battery pack and remove fasteners from magazine before leaving the area or passing the tool to another operator. Do not carry tool to another work area in which changing location involves the use of scaffolding, stairs, ladders, and the like, with battery pack connected. Do not make adjustments, perform maintenance or clear jammed fasteners while battery is in place.
- **Always use trigger lock-off when tool is not in immediate use.** Using the trigger lock-off will prevent accidental discharge.
- **Do not remove, tamper with, or otherwise cause the tool, trigger or trigger lock-off, to become inoperable.** Do not tape or tie trigger in the on position. Do not remove spring from contact trip. Make daily inspections for free movement of trigger. Uncontrolled discharge could result.
- **Inspect tool before use. Do not operate a tool if any portion of the tool, trigger, or trigger lock-off is inoperable, disconnected, altered, or not working properly.** Damaged parts or missing parts should be repaired or replaced before use. Refer to **Repairs**.
- **Do not alter or modify the tool in any way.**
- **Always assume that the tool contains fasteners.**

ENGLISH

- **Do not point the tool at co-workers or yourself at any time.** No horseplay! Work safe! Respect the tool as a working implement.
- **Keep bystanders, children, and visitors away while operating a power tool.** Distractions can cause you to lose control. When tool is not in use, it should be locked in a safe place, out of the reach of children.
- **Do not overreach. Maintain proper footing and balance at all times.** Loss of balance may cause personal injury.
- **Use the tool only for its intended use. Do not discharge fasteners into open air or any material too hard for the staple to penetrate. Do not use the body of the tool or top cap as a hammer. Discharged staple may follow unexpected path and cause injury.**
- **Always keep fingers clear of contact trip to prevent injury from inadvertent release of the staple.**
- **Refer to the Maintenance and Repairs sections for detailed information on the proper maintenance of the tool.**
- **Always operate the tool in a clean, lighted area.** Be sure the work surface is clear of any debris and be careful not to lose footing when working in elevated environments such as rooftops.
- **Fasteners must be driven straight into the material.** Do not tilt the stapler while driving fasteners. Personal injury can result from ricocheted or jammed staples.
- **Keep hands and body parts clear of immediate work area.**

 **WARNING:** To avoid injury keep hands and body away from the front discharge area of the tool.

- **Do not use tool in the presence of flammable dust, gases or fumes.** This tool produces sparks that can ignite gases or dust causing an explosion. Driving a staple into another staple may also cause a spark.
- **Keep face and body parts away from back of the tool cap when working in restricted areas.** Sudden recoil can result in impact to the body, especially when stapling into hard or dense material.
- **Grip tool firmly to maintain control while allowing tool to recoil away from work surface as fastener is driven.**
- **Be aware of material thickness when using stapler.** A protruding staple may cause injury.
- **Stay alert, watch what you are doing and use common sense when operating a power tool. Do not use tool while tired or under the influence of drugs, alcohol, or medication.** A moment of inattention while operating power tools may result in serious personal injury.


Additional Safety Information

 **WARNING:** Never modify the power tool or any part of it. Damage or personal injury could result.

 **WARNING:** ALWAYS use safety glasses. Everyday eyeglasses are NOT safety glasses. Also use face or

dust mask if cutting operation is dusty. ALWAYS WEAR CERTIFIED SAFETY EQUIPMENT:


- ANSI Z87.1 eye protection (CAN/CSA Z94.3),
- ANSI S12.6 (S3.19) hearing protection,
- NIOSH/OSHA/MSHA respiratory protection.


 **WARNING:** Some dust created by power sanding, sawing, grinding, drilling, and other construction activities contains chemicals known to the State of California to cause cancer, birth defects or other reproductive harm. Some examples of these chemicals are:


- lead from lead-based paints,
- crystalline silica from bricks and cement and other masonry products, and
- arsenic and chromium from chemically-treated lumber.

Your risk from these exposures varies, depending on how often you do this type of work. To reduce your exposure to these chemicals: work in a well ventilated area, and work with approved safety equipment, such as those dust masks that are specially designed to filter out microscopic particles.

- **Avoid prolonged contact with dust from power sanding, sawing, grinding, drilling, and other construction activities. Wear protective clothing and wash exposed areas with soap and water.** Allowing dust to get into your mouth, eyes, or lay on the skin may promote absorption of harmful chemicals.

 **WARNING:** Use of this tool can generate and/or disperse dust, which may cause serious and permanent respiratory or other injury. Always use NIOSH/OSHA approved respiratory protection appropriate for the dust exposure. Direct particles away from face and body.

 **WARNING:** Always wear proper personal hearing protection that conforms to ANSI S12.6 (S3.19) during use. Under some conditions and duration of use, noise from this product may contribute to hearing loss.

 **CAUTION:** When not in use, place tool on its side on a stable surface where it will not cause a tripping or falling hazard. Some tools with large battery packs will stand upright on the battery pack but may be easily knocked over.

The label on your tool may include the following symbols. The symbols and their definitions are as follows:

V	volts	sfpm	surface feet per minute
Hz	hertz	SPM	strokes per minute
min	minutes	A	amperes
— — — or DC	direct current	W	watts
Ⓢ	Class I Construction (grounded)	~ or AC	alternating current
... /min	per minute	⎓ or AC/DC	alternating or direct current
BPM	beats per minute	Ⓢ	Class II Construction (double insulated)
IPM	impacts per minute		
RPM	revolutions per minute		

n ₀	no load speed	☹️	wear eye protection
n	rated speed	👂	wear hearing protection
⊕	earthing terminal	📖	read all documentation
⚠️	safety alert symbol		
☢️	visible radiation		
👤	wear respiratory protection		

BATTERIES AND CHARGERS

The battery pack is not fully charged out of the carton. Before using the battery pack and charger, read the safety instructions below and then follow charging procedures outlined. When ordering replacement battery packs, be sure to include the catalog number and voltage. Your tool uses a DeWALT charger. Be sure to read all safety instructions before using your charger. Consult the chart at the end of this manual for compatibility of chargers and battery packs.

READ ALL INSTRUCTIONS

Important Safety Instructions for All Battery Packs

WARNING: Read all safety warnings and all instructions for the battery pack, charger and power tool. Failure to follow the warnings and instructions may result in electric shock, fire and/or serious injury.

- **Do not charge or use the battery pack in explosive atmospheres, such as in the presence of flammable liquids, gases or dust.** Inserting or removing the battery pack from the charger may ignite the dust or fumes.
- **NEVER force the battery pack into the charger. DO NOT modify the battery pack in any way to fit into a non-compatible charger as battery pack may rupture causing serious personal injury.** Consult the chart at the end of this manual for compatibility of batteries and chargers.
- Charge the battery packs only in designated DeWALT chargers.
- **DO NOT splash or immerse in water or other liquids.**
- **Do not store or use the tool and battery pack in locations where the temperature may reach or exceed 104 °F (40 °C) (such as outside sheds or metal buildings in summer).** For best life store battery packs in a cool, dry location.
NOTE: Do not store the battery packs in a tool with the trigger switch locked on. Never tape the trigger switch in the ON position.
- **Do not incinerate the battery pack even if it is severely damaged or is completely worn out.** The battery pack can explode in a fire. Toxic fumes and materials are created when lithium ion battery packs are burned.
- **If battery contents come into contact with the skin, immediately wash area with mild soap and water.** If battery liquid gets into the eye, rinse water over the open eye for 15 minutes or until irritation ceases. If medical

attention is needed, the battery electrolyte is composed of a mixture of liquid organic carbonates and lithium salts.

- **Contents of opened battery cells may cause respiratory irritation.** Provide fresh air. If symptoms persist, seek medical attention.



WARNING: Burn hazard. Battery liquid may be flammable if exposed to spark or flame.



WARNING: Fire hazard. Never attempt to open the battery pack for any reason. If the battery pack case is cracked or damaged, do not insert into the charger. Do not crush, drop or damage the battery pack. Do not use a battery pack or charger that has received a sharp blow, been dropped, run over or damaged in any way (e.g., pierced with a nail, hit with a hammer, stepped on). Damaged battery packs should be returned to the service center for recycling.

Transportation



WARNING: Fire hazard. Do not store or carry the battery pack so that metal objects can contact exposed battery terminals. For example, do not place the battery pack in aprons, pockets, tool boxes, product kit boxes, drawers, etc., with loose nails, screws, keys, etc. **Transporting batteries can possibly cause fires if the battery terminals inadvertently come in contact with conductive materials such as keys, coins, hand tools and the like.** The US Department of Transportation Hazardous Material Regulations (HMR) actually prohibit transporting batteries in commerce or on airplanes in carry-on baggage UNLESS they are properly protected from short circuits. So when transporting individual battery packs, make sure that the battery terminals are protected and well insulated from materials that could contact them and cause a short circuit.

NOTE: Lithium-ion batteries should not be put in checked baggage.

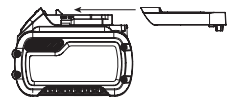
Shipping the DeWALT FLEXVOLT™ Battery

The DeWALT FLEXVOLT™ battery has two modes: **Use** and **Shipping**.

Use Mode: When the FLEXVOLT™ battery stands alone or is in a DeWALT 20V Max* product, it will operate as a 20V Max* battery. When the FLEXVOLT™ battery is in a 60V Max* or a 120V Max* (two 60V Max* batteries) product, it will operate as a 60V Max* battery.

Shipping Mode: When the cap is attached to the FLEXVOLT™ battery, the battery is in Shipping Mode.

Strings of cells are electrically disconnected within the pack resulting in three batteries with a lower Watt hour (Wh) rating as compared to one battery with a higher Watt hour rating. This increased quantity of three batteries with the lower Watt hour rating can exempt the pack from certain shipping regulations that are imposed upon the higher Watt hour batteries.



ENGLISH

The battery label indicates two Watt hour ratings (see example). Depending on how the battery is shipped, the appropriate Watt hour rating must be used to determine the applicable shipping requirements. If utilizing the shipping cap, the pack will be considered 3 batteries at the Watt hour rating indicated for "Shipping". If shipping without the cap or in a tool, the pack will be considered one battery at the Watt hour rating indicated next to "Use".

Example of Use and Shipping Label Marking

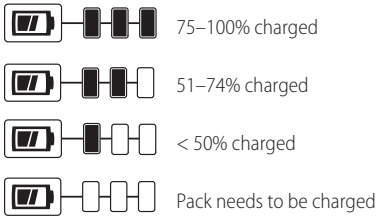
USE: 120 Wh Shipping: 3 x 40 Wh

For example, Shipping Wh rating might indicate 3 x 40 Wh, meaning 3 batteries of 40 Watt hours each. The Use Wh rating might indicate 120 Wh (1 battery implied).

Fuel Gauge Battery Packs (Fig. B)

Some DEWALT battery packs include a fuel gauge which consists of three green LED lights that indicate the level of charge remaining in the battery pack.

The fuel gauge is an indication of approximate levels of charge remaining in the battery pack according to the following indicators:



To actuate the fuel gauge, press and hold the fuel gauge button. A combination of the three green LED lights will illuminate designating the level of charge left. When the level of charge in the battery is below the usable limit, the fuel gauge will not illuminate and the battery will need to be recharged.

Fig. B



NOTE: The fuel gauge is only an indication of the charge left on the battery pack. It does not indicate tool functionality and is subject to variation based on product components, temperature and end-user application.

For more information regarding fuel gauge battery packs, please contact call 1-800-4-DEWALT (1-800-433-9258) or visit our website www.dewalt.com.

The RBRC® Seal

The RBRC® (Rechargeable Battery Recycling Corporation) Seal on the nickel cadmium, nickel metal hydride or lithium-ion batteries (or battery packs) indicates that the costs to recycle these batteries (or battery packs) at the end of their useful life have already been paid by DEWALT. In some areas, it is illegal to place spent nickel cadmium, nickel metal hydride or lithium-ion batteries in the trash or municipal solid waste stream and



the Call 2 Recycle® program provides an environmentally conscious alternative.

Call 2 Recycle, Inc., in cooperation with DEWALT and other battery users, has established the program in the United States and Canada to facilitate the collection of spent nickel cadmium, nickel metal hydride or lithium-ion batteries. Help protect our environment and conserve natural resources by returning the spent nickel cadmium, nickel metal hydride or lithium-ion batteries to an authorized DEWALT service center or to your local retailer for recycling. You may also contact your local recycling center for information on where to drop off the spent battery. RBRC® is a registered trademark of Call 2 Recycle, Inc.

Important Safety Instructions for All Battery Chargers

⚠ WARNING: Read all safety warnings and all instructions for the battery pack, charger and power tool. Failure to follow the warnings and instructions may result in electric shock, fire and/or serious injury.

- **DO NOT attempt to charge the battery pack with any chargers other than the ones in this manual.** The charger and battery pack are specifically designed to work together.
- **These chargers are not intended for any uses other than charging DEWALT rechargeable batteries.** Any other uses may result in risk of fire, electric shock or electrocution.
- **Do not expose the charger to rain or snow.**
- **Pull by the plug rather than the cord when disconnecting the charger.** This will reduce the risk of damage to the electric plug and cord.
- **Make sure that the cord is located so that it will not be stepped on, tripped over or otherwise subjected to damage or stress.**
- **Do not use an extension cord unless it is absolutely necessary.** Use of improper extension cord could result in risk of fire, electric shock or electrocution.
- **When operating a charger outdoors, always provide a dry location and use an extension cord suitable for outdoor use.** Use of a cord suitable for outdoor use reduces the risk of electric shock.
- **An extension cord must have adequate wire size (AWG or American Wire Gauge) for safety.** The smaller the gauge number of the wire, the greater the capacity of the cable, that is, 16 gauge has more capacity than 18 gauge. An undersized cord will cause a drop in line voltage resulting in loss of power and overheating. When using more than one extension to make up the total length, be sure each individual extension contains at least the minimum wire size. The following table shows the correct size to use depending on cord length and nameplate ampere rating. If in doubt, use the next heavier gauge. The lower the gauge number, the heavier the cord.

Minimum Gauge for Cord Sets

Volts		Total Length of Cord in Feet (meters)			
120 V		25 (7.6)	50 (15.2)	100 (30.5)	150 (45.7)
240 V		50 (15.2)	100 (30.5)	200 (61.0)	300 (91.4)
Ampere Rating		American Wire Gauge			
More Than	Not More Than				
0	6	18	16	16	14
6	10	18	16	14	12
10	12	16	16	14	12
12	16	14	12	Not Recommended	

- **Do not place any object on top of the charger or place the charger on a soft surface that might block the ventilation slots and result in excessive internal heat.** Place the charger in a position away from any heat source. The charger is ventilated through slots in the top and the bottom of the housing.
- **Do not operate the charger with a damaged cord or plug.**
- **Do not operate the charger if it has received a sharp blow, been dropped or otherwise damaged in any way.** Take it to an authorized service center.
- **Do not disassemble the charger; take it to an authorized service center when service or repair is required.** Incorrect reassembly may result in a risk of electric shock, electrocution or fire.
- **Disconnect the charger from the outlet before attempting any cleaning. This will reduce the risk of electric shock.** Removing the battery pack will not reduce this risk.
- **NEVER** attempt to connect 2 chargers together.
- **The charger is designed to operate on standard 120V household electrical power. Do not attempt to use it on any other voltage.** This does not apply to the vehicular charger.

⚡ WARNING: Shock hazard. Do not allow any liquid to get inside the charger. Electric shock may result.

⚠ WARNING: Burn hazard. Do not submerge the battery pack in any liquid or allow any liquid to enter the battery pack. Never attempt to open the battery pack for any reason. If the plastic housing of the battery pack breaks or cracks, return to a service center for recycling.

⚠ CAUTION: Burn hazard. To reduce the risk of injury, charge only DEWALT rechargeable battery packs. Other types of batteries may overheat and burst resulting in personal injury and property damage.

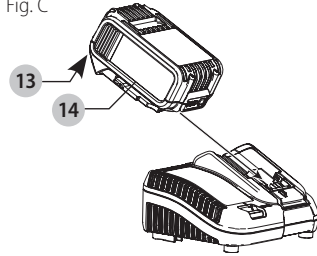
NOTICE: Under certain conditions, with the charger plugged into the power supply, the charger can be shorted by foreign material. Foreign materials of a conductive nature, such as, but not limited to, grinding dust, metal chips, steel wool, aluminum foil or any buildup of metallic particles should be kept away from the charger cavities. Always unplug the charger from the power supply when there is no

battery pack in the cavity. Unplug the charger before attempting to clean.

Charging a Battery (Fig. C)

1. Plug the charger into an appropriate outlet before inserting battery pack.

Fig. C



2. Insert the battery pack 14 into the charger, making sure the battery pack is fully seated in the charger. The red (charging) light will blink continuously indicating that the charging process has started.
3. The completion of charge will be indicated by the red light remaining ON continuously. The battery pack is fully charged and may be used at this time or left in the charger. To remove the battery pack from the charger, push the battery release button 13 on the battery pack.

NOTE: To ensure maximum performance and life of lithium-ion battery packs, charge the battery pack fully before first use.

Charger Operation

Refer to the indicators below for the charge status of the battery pack.

DCB101	
	Charging - - - - -
	Fully Charged —————
	Hot/Cold Pack Delay - • - - - • -
	Problem Pack or Charger • • • • • • • •

*DCB107, DCB112, DCB113, DCB115, DCB118, DCB132	
	Charging - - - - -
	Fully Charged —————
	Hot/Cold Pack Delay* - - - - - —————

***DCB107, DCB112, DCB113, DCB115, DCB118, DCB132:** The red light will continue to blink, but a yellow indicator light will be illuminated during this operation. Once the battery pack has reached an appropriate temperature, the yellow light will turn off and the charger will resume the charging procedure.

The compatible charger(s) will not charge a faulty battery pack. The charger will indicate faulty battery pack by refusing to light or by displaying a problem pack or charger blink pattern.

ENGLISH

NOTE: This could also mean a problem with a charger. If the charger indicates a problem, take the charger and battery pack to be tested at an authorized service center.

Hot/Cold Pack Delay

When the charger detects a battery pack that is too hot or too cold, it automatically starts a Hot/Cold Pack Delay, suspending charging until the battery pack has reached an appropriate temperature. The charger then automatically switches to the pack charging mode. This feature ensures maximum battery pack life.

A cold battery pack will charge at a slower rate than a warm battery pack. The battery pack will charge at that slower rate throughout the entire charging cycle and will not return to maximum charge rate even if the battery pack warms.

The DCB118 charger is equipped with an internal fan designed to cool the battery pack. The fan will turn on automatically when the battery pack needs to be cooled.

Never operate the charger if the fan does not operate properly or if ventilation slots are blocked. Do not permit foreign objects to enter the interior of the charger.

Electronic Protection System

Li-Ion tools are designed with an Electronic Protection System that will protect the battery pack against overloading, overheating or deep discharge.

The tool will automatically turn off if the Electronic Protection System engages. If this occurs, place the lithium-ion battery pack on the charger until it is fully charged.

Wall Mounting

DCB107, DCB112, DCB113, DCB115, DCB118, DCB132

These chargers are designed to be wall mountable or to sit upright on a table or work surface. If wall mounting, locate the charger within reach of an electrical outlet, and away from a corner or other obstructions which may impede air flow. Use the back of the charger as a template for the location of the mounting screws on the wall. Mount the charger securely using drywall screws (purchased separately) at least 1" (25.4 mm) long, with a screw head diameter of 0.28–0.35" (7–9 mm), screwed into wood to an optimal depth leaving approximately 7/32" (5.5 mm) of the screw exposed. Align the slots on the back of the charger with the exposed screws and fully engage them in the slots.

Charger Cleaning Instructions



WARNING: Shock hazard. Disconnect the charger from the AC outlet before cleaning. Dirt and grease may be removed from the exterior of the charger using a cloth or soft non-metallic brush. Do not use water or any cleaning solutions.

Important Charging Notes

1. Longest life and best performance can be obtained if the battery pack is charged when the air temperature is between 65 °F and 75 °F (18 ° – 24 °C). DO NOT charge the battery pack below +40 °F (+4.5 °C), or above +104 °F (+40 °C). This is important and will prevent serious damage to the battery pack.

2. The charger and battery pack may become warm to the touch while charging. This is a normal condition, and does not indicate a problem. To facilitate the cooling of the battery pack after use, avoid placing the charger or battery pack in a warm environment such as in a metal shed or an uninsulated trailer.
3. If the battery pack does not charge properly:
 - a. Check operation of receptacle by plugging in a lamp or other appliance;
 - b. Check to see if receptacle is connected to a light switch which turns power off when you turn out the lights;
 - c. Move the charger and battery pack to a location where the surrounding air temperature is approximately 65 °F – 75 °F (18 ° – 24 °C);
 - d. If charging problems persist, take the tool, battery pack and charger to your local service center.
4. The battery pack should be recharged when it fails to produce sufficient power on jobs which were easily done previously. DO NOT CONTINUE to use under these conditions. Follow the charging procedure. You may also charge a partially used pack whenever you desire with no adverse effect on the battery pack.
5. Foreign materials of a conductive nature such as, but not limited to, grinding dust, metal chips, steel wool, aluminum foil, or any buildup of metallic particles should be kept away from charger cavities. Always unplug the charger from the power supply when there is no battery pack in the cavity. Unplug the charger before attempting to clean.
6. Do not freeze or immerse the charger in water or any other liquid.

Storage Recommendations

1. The best storage place is one that is cool and dry, away from direct sunlight and excess heat or cold.
2. For long storage, it is recommended to store a fully charged battery pack in a cool dry place out of the charger for optimal results.

NOTE: Battery packs should not be stored completely depleted of charge. The battery pack will need to be recharged before use.

SAVE THESE INSTRUCTIONS FOR FUTURE USE

Intended Use

Your fencing stapler is intended **ONLY** for use in driving staples into wood.

DO NOT use to fasten electrical cables.

DO NOT use under wet conditions or in presence of flammable liquids or gases.

Use **ONLY** DEWALT staples.

This tool is intended for use by construction professionals.

DO NOT let children come into contact with the tool.

Supervision is required when inexperienced operators use this tool.

TOOL SPECIFICATIONS

Actuation mode	Sequential and RapidCycle
Voltage	20V
Height	16.9" (429 mm)
Width	4.1" (104 mm)
Length	14.2" (361 mm)
Weight	8.8 lbs (3.99 kg)
Magazine angle	0°
Loading capacity	Up to 35 staples
Dry fire lock-out	5 staples

STAPLE SPECIFICATIONS

IMPORTANT: Your fencing stapler is ONLY compatible with DEWALT staples.

Staple lengths	1-1/2", 1-3/4" and 2" (38 mm, 44.4 mm and 50.1 mm)
Shank diameters	4 mm
Staple angle	0°

Dry Fire Lock Out

Your stapler is equipped with a dry fire lockout which prevents the tool from actuating when the magazine is nearly empty. When 5 staples remain in the magazine, the tool ceases to operate. Refer to **Loading the Tool** to reload a stick of collated staples.

ASSEMBLY AND ADJUSTMENTS

WARNING: To reduce the risk of serious personal injury, turn unit off and remove the battery pack before making any adjustments or removing/installing attachments or accessories. An accidental start-up can cause injury.

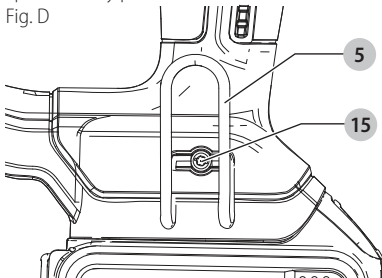
Utility Hook (Fig. D)

If the hook is not desired at all, it can be removed from the tool.

To Remove Utility Hook

1. Remove battery pack from tool.
2. To switch the tool from right- to left-hand usage simply remove the screw **15** from the opposite side of the tool and re attach the utility hook **5** on the other side.
3. Replace battery pack.

Fig. D



WARNING: Remove staples from magazine before making any adjustments or servicing this tool. Failure to do so may result in serious injury.

WARNING: Disconnect battery pack from tool before making any adjustments, changing accessories, servicing, or moving the tool. Such preventative safety measures reduce the risk of starting the tool accidentally.

CAUTION: When not in use, place tool on its side on a stable surface where it will not cause a tripping or falling hazard. Some tools with large battery packs will stand upright on the battery pack but may be easily knocked over.

OPERATION (FIG. A)

WARNING: To reduce the risk of serious personal injury, turn unit off and remove the battery pack before making any adjustments or removing/installing attachments or accessories. An accidental start-up can cause injury.

WARNING: Read the section titled **Stapler Safety Warnings** at the beginning of this manual. Always wear eye and ear protection when operating this tool. Keep the stapler pointed away from yourself and others. For safe operation, complete the following procedures and checks before each use of the stapler.

1. Wear proper eye, hearing and respiratory protection.
2. Remove battery pack **14** from tool.
3. Lock the pusher **12** in the back position and remove all staples from the magazine.
4. Check for smooth and proper operation of contact trip **7** and pusher assemblies. Do not use tool if either assembly is not functioning properly. **NEVER** use a tool that has the contact trip restrained in the up position.
5. **NEVER** use a tool that has damaged parts.

WARNING: To reduce the risk of personal injury, disconnect battery pack from tool before performing maintenance, clearing a jammed staple, leaving work area, moving tool to another location or handing the tool to another person.

Installing and Removing the Battery Pack (Fig. E)

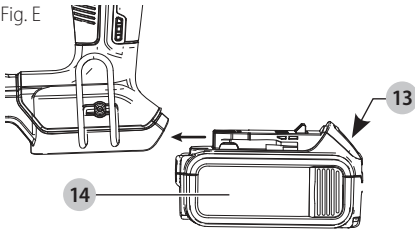
NOTE: For best results, make sure your battery pack is fully charged.

To install the battery pack **14** into the tool handle, align the battery pack with the rails inside the tool's handle and slide it into the handle until the battery pack is firmly seated in the tool and ensure that it does not disengage.

To remove the battery pack from the tool, press the release button **13** and firmly pull the battery pack out of the tool handle. Insert it into the charger as described in the charger section of this manual.

ENGLISH

Fig. E



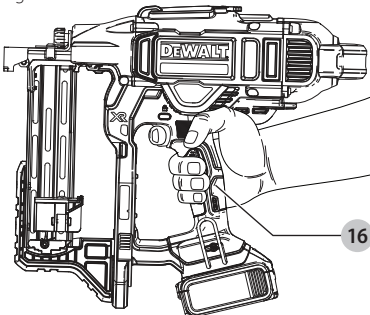
Proper Hand Position (Fig. F)

WARNING: To reduce the risk of serious personal injury, **ALWAYS** use proper hand position as shown.

WARNING: To reduce the risk of serious personal injury, **ALWAYS** hold securely in anticipation of a sudden reaction.

Proper hand position requires one hand on the handle **16** as shown in Fig. F.

Fig. F



Preparing the Tool (Fig. A)

NOTICE: NEVER spray or in any other way apply lubricants or cleaning solvents inside the tool. This can seriously affect the life and performance of the tool.



NOTE: The battery pack is not fully charged out of the carton. Follow instructions outlined (refer to **Charging A Battery**).

1. Read the **Stapler Safety Warnings** section of this manual.
2. Wear eye and ear protection.
3. Remove battery **14** from tool.
4. Ensure magazine **10** is empty of all fasteners.
5. Check for smooth and proper operation of contact trip **7** and pusher assemblies. Do not use tool if either assembly is not functioning properly. **NEVER** use a tool that has the contact trip restrained in the actuated position.
6. Keep tool pointed away from yourself and others.
7. Insert fully charged battery pack.

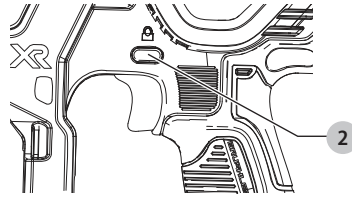
Using the Trigger Lock-off (Fig. G)

WARNING: To reduce the risk of serious personal injury, do not keep trigger depressed when tool is not in use. Keep the trigger lock-off switch **LOCKED** (Fig. G) when the tool is not in use.

WARNING: To reduce the risk of serious personal injury, lock off trigger, disconnect battery pack from tool and remove staples from magazine before making adjustments.

Each DEWALT stapler is equipped with a trigger lock-off **2** which when pushed to the right as shown in Figure G, prevents the tool from firing a staple by locking the trigger and bypassing power to the motor.

Fig. G



When the trigger lock-off is pressed to the left, the tool will be fully operational. The trigger lock-off should always be locked off whenever any adjustments are made or when tool is not in immediate use.

NOTICE: Do not store tool with battery pack installed. To prevent damage to the pack and to ensure best battery life, store battery packs out of the tool or charger in a cool, dry location.

Loading the Tool (Fig. H)

WARNING: Keep the tool pointed away from yourself and others.

WARNING: Never load staples with the contact trip or trigger activated.

WARNING: Always remove battery pack before loading or unloading staples.

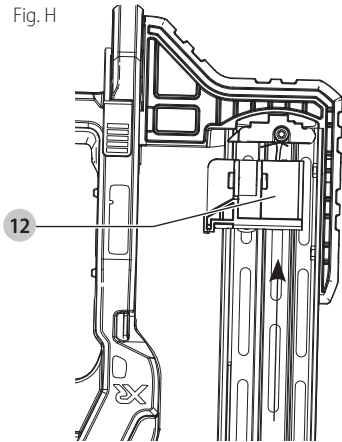
CAUTION: Keep fingers clear of pusher latch track to prevent injury.

WARNING: The trigger lock-off should always be engaged whenever any adjustments are made or when tool is not in use.

WARNING: This stapler requires the use of DEWALT staples.

1. Turn the stapler upside down.
2. Slide the spring-loaded pusher **12** to the base of the magazine to lock it into place.

Fig. H



- Drop staple strips into the loading slot of the magazine, making sure the staple heads align correctly with the slot opening. (Refer to **Staple Specifications** to determine compatible size.)
- Keeping fingers clear of the track, close the magazine by releasing the pusher latch. Carefully allow the latch to slide forward and engage the staple strip.

Unloading the Tool

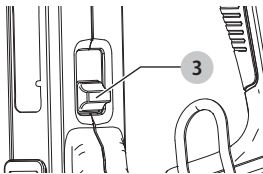
WARNING: The trigger lock-off should always be locked off whenever any adjustments are made or when tool is not in use.

- Slide the spring-loaded pusher to the base of the magazine to lock it into place.
- Tip the tool up until the fastener strip slides freely out of the magazine.
- With battery removed, check the nosepiece to verify there are no staples remaining.

Power Setting Summary (Fig. I, J)

This stapler is equipped with a tool free power select switch **3** to adjust the tool for different applications. In the event staples are not driving to depth in power setting 1, you may have to switch to power 2 or 3 for additional driving power.

Fig. I

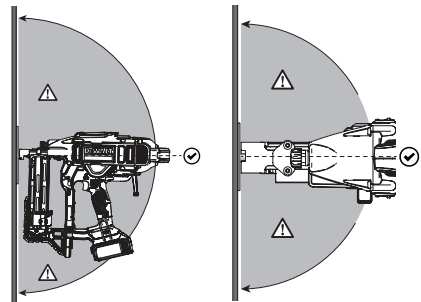


NOTICE: Driving staples into soft materials at high power settings will cause excessive wear to your tool and may result in early failures.

Power Setting	Application	Typical Staple Length
1	Shorter staple length / minimal staple drive desired	1-1/2" (38 mm) typical
2	Increased staple drive desired for medium to large staple lengths	1-3/4"-2" (44.4 mm-51.1 mm) typical
3	Maximum staple drive desired	1-3/4"-2" (44.14 mm-51.1 mm) typical

WARNING: Staples must be driven straight into the material. Do not tilt stapler while driving fasteners. Refer to Fig. J. Staple retention values improve when the tool is fired perpendicular to the material.

Fig. J



Adjusting Depth (Fig. K)

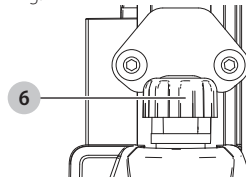
The depth that the staple is driven can be adjusted using the tool free depth adjust **6** on the nose of the tool.

WARNING: To reduce risk of serious injury from accidental actuation when attempting to adjust depth, ALWAYS:

- Remove battery pack
- Engage trigger lock-off.
- Always point the nose of the stapler away from you.
- Avoid contact with trigger during adjustments.

- To drive the staple shallower, rotate the tool free depth adjust **6** to the left.
- To drive a staple deeper, rotate the tool free depth adjust **6** to the right.

Fig. K



Selecting the Mode (Fig. A)

WARNING: Always wear proper eye [ANSI Z87.1 (CAN/CSA Z94.3)] and ANSI S12.6 (S3.19) hearing protection when operating tool.

To select standard sequential mode, slide the tool free mode select switch **4** to display the single arrow **◀** icon.

ENGLISH

To select rapid sequential operating mode (RapidCycle), slide the tool free mode select switch 4 to display the double arrow << icon.

NOTE: Battery life in RapidCycle mode will be shorter than in standard sequential mode. Leaving the tool in standard sequential will give maximum battery life.

Sequential Mode

The sequential mode is used for intermittent stapling. It offers the maximum battery life for driving staples.

1. Using the tool free mode select switch 4, select the sequential mode.
2. Release the trigger lock-off 2.
3. Push the contact trip 7 against the work surface.
4. Pull the trigger switch 1 to actuate the tool.
5. Release the trigger and raise the stapler from the work surface.
6. Repeat steps 3–5 to actuate the next staple.

RapidCycle Mode

In RapidCycle mode, the motor rotation speed is automatically restored after driving a staple to allow fast consecutive stapling. While offering the ability to drive more staples in less time, this mode more quickly depletes the battery charge.

1. Using the tool free mode select switch 4, select the RapidCycle mode.
2. Release the trigger lock-off 2.
3. Push the contact trip 7 against the work surface.
4. Pull the trigger switch 1 to actuate the tool.
5. Release the trigger and raise the stapler from the work surface.


NOTE: The tool motor returns to full speed automatically without the contact trip 7 being depressed.

6. Repeat steps 3–5 to actuate the next staple.

Headlights/LED Indicator (Fig. A)

There are LED work lights 9 located on the front of the tool on each side of the magazine.

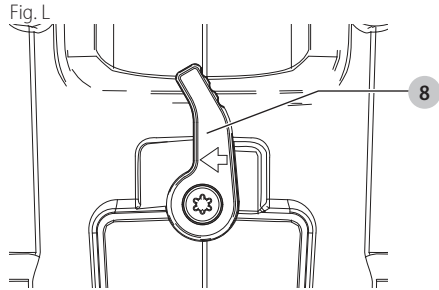
— — — —	LOW BATTERY Replace battery with a charged pack.
• • • • • • • •	HOT PACK Let the battery cool or replace it with a cool pack.
— — — —	JAM/STALL CONDITION Rotate the stall release lever to release. Refer to Tool Free Stall Release or Clearing a Jammed Staple .
— — — — — — — —	HOT TOOL (Both LEDs Flashing) Let the tool cool down before continuing use.

	ERROR Reset tool by removing and reinserting battery pack or cycling trigger lock off. If error code persist, take tool to an authorized DEWALT service center.
---	---

Tool Free Stall Release (Fig. L)

If the stapler is used in harder material where all available energy in the motor is used to drive a fastener, the tool may stall. The driver will not complete the drive cycle and the jam/stall indicator will flash. Rotate the tool free stall release 8 on the tool and the mechanism will release.

NOTE: The tool will disable itself and not reset until the battery pack has been removed and reinserted. If the driver does not automatically return to the home position, proceed to **Clearing a Jammed Staple**. If the unit continues to stall please review the material and fastener length to be sure that it is not too rigorous an application. The stapler could also be overheated and needs time to cool before further use.



Clearing a Jammed Staple (Fig. A, M)

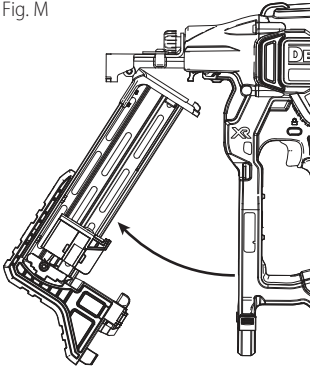
! WARNING: To reduce the risk of serious personal injury, disconnect battery pack from tool before making any adjustments, changing accessories, servicing, or moving the tool. Such preventative safety measures reduce the risk of starting the tool accidentally.

! CAUTION: When removing a jammed staple, DO NOT orient the stapler with the nose up or with the battery foot up. Positioning the stapler this way makes the jammed staple or pieces of the staple more likely to be ingested into the stapler. If any portion of a staple is ingested into the tool, the staple should be retrieved by removing the top cap.

If a staple becomes jammed in the nosepiece, keep the tool pointed away from you and follow these instructions to clear:

1. Remove battery pack 14 from tool and engage trigger lock-off 2.
2. After laying the tool on its side, slide the spring-loaded pusher latch 12 to the base of the magazine to lock it into place and unload staple strip.
3. Rotate the magazine release lever 11 and rotate the magazine 10 forward.

Fig. M



- Remove jammed/bent staple, using pliers if necessary.

CAUTION: If any portion of a staple is ingested into the tool, the staple should be retrieved by removing the top cap.

- If the driver is in the down position, rotate the stall release lever on the top of the stapler.

NOTE: If the driver will not reset after rotating the stall release lever, manually resetting the blade with a long screw driver may be necessary.

- Rotate the magazine back into position under the nose of the tool and close the magazine release lever.

- Reinsert battery pack.

NOTE: The tool will disable itself and not reset until the battery pack has been removed and reinserted.

- Reinsert staples into magazine (refer to **Loading the Tool**).

- Release the pusher latch.

- Disengage the trigger lock-off when ready to continue stapling.

NOTE: Should staples jam frequently or the driver continually fail to reset, have tool serviced by an authorized DeWALT service center.

Cold Weather Operation

When operating tools at temperatures below freezing:

- Keep tool as warm as possible prior to use.
- Actuate the tool 10 or 15 times into scrap lumber before using.

Hot Weather Operation

Tool should operate normally. However, keep tool out of direct sunlight as excessive heat can deteriorate bumpers and other rubber parts resulting in increased maintenance.

MAINTENANCE

WARNING: To reduce the risk of serious personal injury, turn unit off and remove the battery pack before making any adjustments or removing/installing attachments or accessories. An accidental start-up can cause injury.

DAILY MAINTENANCE CHART

ACTION	Clean magazine, pusher, and contact trip mechanism.
WHY	Permits smooth operation of magazine, reduces wear, and prevents jams.
HOW	Blowing off the tool with compressed air is the most effective way to clean the tool. The use of oils, lubricants periodically or solvents is not recommended as they tend to attract debris and/or damage the plastic parts of the tool.
ACTION	Before each use, check to ensure all screws and fasteners are tight and undamaged.
WHY	Prevents jams and premature failure of tool parts.
HOW	Tighten loose screws using the appropriate hex wrench or screwdriver.

Cleaning

WARNING: Blow dirt and dust out of all air vents with clean, dry air at least once a week. To minimize the risk of eye injury, always wear ANSI Z87.1 approved eye protection when performing this procedure.

WARNING: NEVER use solvents or other harsh chemicals for cleaning the non-metallic parts of the tool. These chemicals may weaken the plastic materials used in these parts. Use a cloth dampened only with water and mild soap. Never let any liquid get inside the tool; never immerse any part of the tool into a liquid.

Lubrication

NOTICE: NEVER spray or in any other way apply lubricants or cleaning solvents inside the tool. This can seriously affect the life and performance of the tool.



DeWALT tools are properly lubricated at the factory and are ready for use. However, it is recommended that, once a year, you take or send the tool to a certified service center for a thorough cleaning and inspection.

Accessories

WARNING: Since accessories, other than those offered by DeWALT, have not been tested with this product, use of such accessories with this tool could be hazardous. To reduce the risk of injury, only DeWALT recommended accessories should be used with this product.

DCF59501 Driver Blade Replacement Kit

ENGLISH

DCFS9501 Driver Blade Replacement Kit (Fig. N-P)

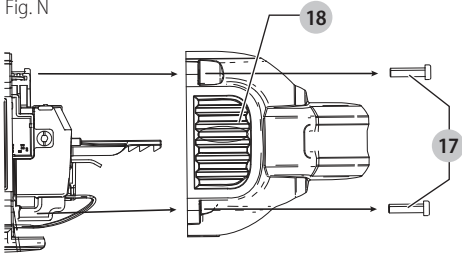
⚠ WARNING: For your own safety, read the tool instruction manual before using any accessory. Failure to heed these warnings may result in serious personal injury and damage to the tool and the accessory. When servicing this tool, use only identical replacement parts.

NOTICE: All the mechanical parts of the driver replacement kit are shown for convenience and verification of inclusion.

To change a worn driver:

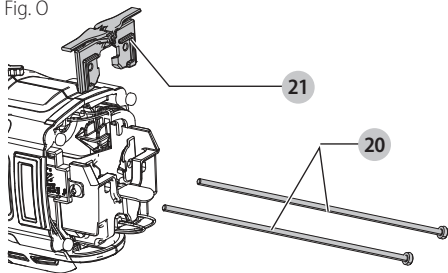
1. Using a T-20 Torx, loosen the four screws **17** on either side of the unit. Refer to Figure N.
2. Remove the four screws. Refer to Figure N.
3. Remove housing end cap **18**. Refer to Figure N.

Fig. N



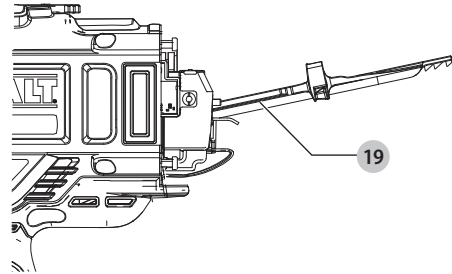
4. Push up on the rear of the driver **19** until you hear a click, then push the driver forward while holding it in this position until it passes the upper bumper assembly. Refer to Figure P.
5. Remove guide rods **20**. Refer to Figure O.
6. Remove upper bumper assembly **21**. Refer to Figure O.

Fig. O



7. Lift the rear of driver until at an angle and pull the driver out. Refer to Figure P.
8. Replace driver and follow steps in reverse to reassemble
9. Ensure new driver slides smoothly through the gun before full reassembly.

Fig. P



10. Return the driver, guide rods, bumpers and housing end cap back onto the unit. It is important to try the alignment of the driver and the flywheel before screwing the housing end cap back on to the unit. This can be done by connecting a battery and pushing then releasing the nose of the unit against a bench or hard surface. This will start the motor spinning.

NOTE: When the driver and the flywheel are correctly aligned, you will hear the motor coast back down from full speed. If the driver and the flywheel are not correctly aligned, the motor may not start up, may slow down much faster than normal along with a loud grinding noise from the unit. If this happens remove and reset the driver, making sure the bumpers are seated correctly.

⚠ WARNING: Always test the unit by firing 1-1/2" (38 mm) staples in power setting 1 into scrap material, to ensure that the tool is working properly. If tool does not operate properly, contact a recognized DEWALT service center immediately.

Recommended accessories for use with your tool are available at extra cost from your local dealer or authorized service center. If you need assistance in locating any accessory, please contact DEWALT Industrial Tool Co., 701 East Joppa Road, Towson, MD 21286, call 1-800-4-DEWALT (1-800-433-9258) or visit our website www.DEWALT.com.

Repairs

The charger and battery pack are not serviceable.

⚠ WARNING: To assure product SAFETY and RELIABILITY, repairs, maintenance and adjustment (including brush inspection and replacement) should be performed by a DEWALT factory service center or a DEWALT authorized service center. Always use identical replacement parts.

Register Online

Thank you for your purchase. Register your product now for:

- **WARRANTY SERVICE:** Registering your product will help you obtain more efficient warranty service in case there is a problem with your product.
- **CONFIRMATION OF OWNERSHIP:** In case of an insurance loss, such as fire, flood or theft, your registration of ownership will serve as your proof of purchase.

- **FOR YOUR SAFETY:** Registering your product will allow us to contact you in the unlikely event a safety notification is required under the Federal Consumer Safety Act.

Register online at www.dewalt.com/register.

Three Year Limited Warranty

DeWALT will repair, without charge, any defects due to faulty materials or workmanship for three years from the date of purchase. This warranty does not cover part failure due to normal wear or tool abuse. For further detail of warranty coverage and warranty repair information, visit www.dewalt.com or call 1-800-4-DeWALT (1-800-433-9258). This warranty does not apply to accessories or damage caused where repairs have been made or attempted by others. THIS LIMITED WARRANTY IS GIVEN IN LIEU OF ALL OTHERS, INCLUDING THE IMPLIED WARRANTY OF MERCHANTABILITY AND FITNESS FOR A PARTICULAR PURPOSE, AND EXCLUDES ALL INCIDENTAL OR CONSEQUENTIAL DAMAGES. Some states do not allow limitations on how long an implied warranty lasts or the exclusion or limitation of incidental or consequential damages, so these limitations may not apply to you. This warranty gives you specific legal rights and you may have other rights which vary in certain states or provinces. In addition to the warranty, DeWALT tools are covered by our:

1 YEAR FREE SERVICE

DeWALT will maintain the tool and replace worn parts caused by normal use for free any time during the first year after purchase. Nailer wear items such as return springs, driver blades, and bumpers are not covered.

2 YEARS FREE SERVICE ON DEWALT BATTERY PACKS

DC9071, DC9091, DC9096, DC9182, DC9280, DC9360, DCB120, DCB127, DCB201, DCB203BT, DCB207, DCB361

3 YEARS FREE SERVICE ON DEWALT BATTERY PACKS

DCB200, DCB203, DCB204, DCB204BT, DCB205, DCB205BT, DCB206, DCB230, DCB606, DCB609, DCB612

NOTE: Battery warranty voided if the battery pack is tampered with in any way. DeWALT is not responsible for any injury caused by tampering and may prosecute warranty fraud to the fullest extent permitted by law.

90 DAY MONEY BACK GUARANTEE

If you are not completely satisfied with the performance of your DeWALT Power Tool, Laser, or Stapler for any reason, you can return it within 90 days from the date of purchase with a receipt for a full refund – no questions asked.

LATIN AMERICA: This warranty does not apply to products sold in Latin America. For products sold in Latin America, see country specific warranty information contained in the packaging, call the local company or see website for warranty information.

FREE WARNING LABEL REPLACEMENT: If your warning labels become illegible or are missing, call 1-800-4-DeWALT (1-800-433-9258) for a free replacement.

TROUBLESHOOTING GUIDE

Many common problems can be solved easily by utilizing the chart below. For more serious or persistent problems, contact a DeWALT service center or call 1-(800)-4-DeWALT.



WARNING: To reduce the risk of serious personal injury, ALWAYS disconnect battery pack from tool before all repairs

SYMPTOM	CAUSE	FIX
Motor does not run with contact trip depressed.	Trigger lock in locked position.	Unlock trigger lock.
	Dryfire lock out engaged, blocking contact trip from traveling fully.	Load more staples into magazine.
	Tool is stalled, locking the motor from rotating.	Rotate the stall release lever on the tool and the mechanism will release. If driver does not return, remove battery and manually push driver back to home position.
	Battery is hot. (Check LED indicator to verify these conditions.)	Let the battery cool or replace it with a cool pack.
	Tool is hot. (Check LED indicator to verify these conditions.)	Let the tool cool down before continuing use.
	Bent contact trip.	See authorized service center.
	Motor stops running after 4 seconds.	Normal operation, release contact trip and redepres.
	Terminals are dirty or damaged.	See authorized service center.
	Damaged internal electronics.	See authorized service center.
	Damaged trigger.	See authorized service center.
Low battery charge or damaged battery.	Check charge level if pack shows state-of-charge. Charge or replace battery pack if necessary.	
Tool does not actuate (motor runs but will not fire).	Dry fire lock out is engaged with only 5 staples remaining in magazine.	Load more staples in magazine to disengage dryfire lockout.
	Jammed staple/driver blade not returned to home position.	Remove battery, clear jammed staple, cycle stall release lever, (push driver up manually if necessary) reinsert battery pack.
	Damaged driver.	Replace driver with kit, or see authorized service center.
	Jammed internal mechanism.	See authorized service center.
Motor starts up but generates a lot of noise.	Damaged internal electronics.	See authorized service center.
	Jammed staple and driver is stuck in down position.	Use stall release lever, clear any jammed staples, and return driver manually if necessary.
	Damaged driver.	Replace driver with kit, or see authorized service center.
Driver blade continues to get stuck in down position or does not travel freely.	Jammed staple and driver is stuck in down position.	Use stall release lever, clear any jammed staples, and return driver manually if necessary.
	Debris in nosepiece.	Clean nose area and watch closely for small pieces of broken staples stuck in the track. Refer to Clearing a Jammed Staple .
	Damaged or worn driver.	Replace driver with kit, or see authorized service center.
Tool operates but does not drive staple fully.	Power setting in wrong position.	Select higher power setting.
	Depth adjust setting incorrect.	Adjust tool free depth adjust dial.
	Tool not firmly applied to workpiece.	Apply adequate force to tool securing it tightly to workpiece See instruction manual.
	Material and staple length.	If the unit continues to stall (forcing the need to rotate the stall release lever) choose the appropriate material and staple length that is not too rigorous of an application.
	Damaged or worn driver tip.	Replace driver with kit, or see authorized service center.
	Damaged actuation mechanism.	See authorized service center.

SYMPTOM	CAUSE	FIX
Tool operates, but no staple is driven.	Debris in nosepiece.	Clean nose area and watch closely for small pieces of broken staples stuck in the track.
	Debris in magazine.	Clean magazine.
	Damaged pusher spring.	Replace spring. See authorized service center.
	Worn magazine.	Replace magazine. See authorized service center.
	Damaged or worn driver.	Replace driver with kit, or see authorized service center.
Jammed staples.	Incorrect staples.	Use only the recommended staples. Refer to Staple Specifications .
	Magazine not secured after previous jam clear/inspection.	Make sure to magazine is latched properly.
	Material and staple length.	If the unit continues to stall (forcing the need to rotate the Stall release lever) choose the appropriate material and staple length that is not too rigorous an application.
	Debris in nosepiece.	Clean nose area and watch closely for small pieces of broken staples stuck in the track.
	Worn magazine.	Replace magazine. See authorized service center.
	Tool is not yet run-in.	New tools can take 100–500 staples for parts to mesh and wear in together. Drive shorter staples during this period if experiencing difficulty fully driving staples.
	Staples do not fit.	Confirm DeWALT staples are being used. Your fencing stapler is only compatible with DeWALT staples.
Staple drives too deep.	Power setting too high.	Select lower power setting.
	Depth adjust setting incorrect.	Adjust tool free depth adjust dial.
Staple bends.	Staple hit knot in wood.	Move 3" (76 mm) and try again.

Définitions : symboles et termes d'alarmes sécurité

Ces guides d'utilisation utilisent les symboles et termes d'alarmes sécurité suivants pour vous prévenir de situations dangereuses et de risques de dommages corporels ou matériels.





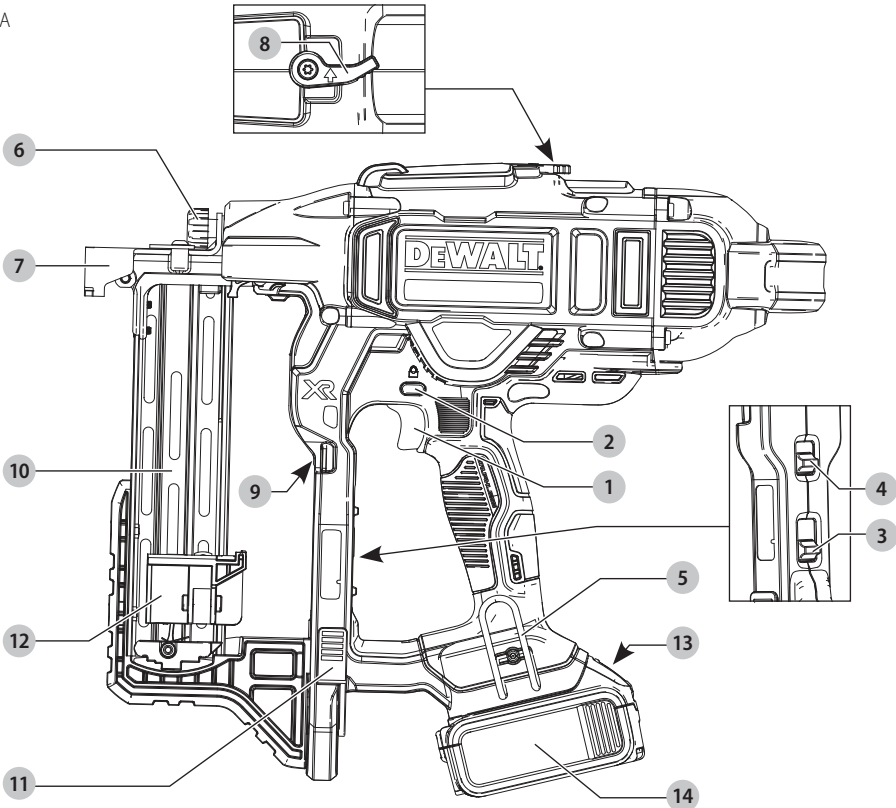
-  **DANGER** : indique une situation dangereuse imminente qui, si elle n'est pas évitée, **entraînera la mort ou des blessures graves**.
 -  **AVERTISSEMENT** : indique une situation potentiellement dangereuse qui, si elle n'est pas évitée, **pourrait entraîner la mort ou des blessures graves**.
 -  **ATTENTION** : indique une situation potentiellement dangereuse qui, si elle n'est pas évitée, **pourrait entraîner des blessures légères ou modérées**.
 -  (Si utilisé sans aucun terme) Indique un message propre à la sécurité.
- AVIS** : indique une pratique ne posant **aucun risque de dommages corporels** mais qui par contre, si rien n'est fait pour l'éviter, **pourrait poser des risques de dommages matériels**.

Fig. A



- 1 Gâchette
- 2 Verrouillage de la gâchette
- 3 Sélection de l'alimentation sans outils
- 4 Sélection du mode sans outils
- 5 Crochet utilitaire
- 6 Ajustement de la profondeur sans outils
- 7 Déclencheur par contact
- 8 Dégagement du blocage sans outils
- 9 Lampes de travail DEL (x2)
- 10 Magasin
- 11 Bouton de libération du magasin
- 12 Poussoir
- 13 Bouton de libération du bloc-piles
- 14 Bloc-piles



AVERTISSEMENT! lire tous les avertissements de sécurité et toutes les directives. Le non-respect des avertissements et des directives pourrait se solder par un choc électrique, un incendie et/ou une blessure grave.



AVERTISSEMENT : afin de réduire le risque de blessures, lire le mode d'emploi de l'outil.

Pour toute question ou remarque au sujet de cet outil ou de tout autre outil DeWALT, composez le numéro sans frais : 1-800-4-DeWALT (1-800-433-9258).

AVERTISSEMENTS GÉNÉRAUX SUR LA SÉCURITÉ DES OUTILS



AVERTISSEMENT : lisez tous les avertissements de sécurité, toutes les instructions, les illustrations et les caractéristiques fournis avec cet outil électrique. Ne pas suivre toutes les instructions comprises aux présentes peut conduire à un choc électrique, un incendie et/ou des blessures graves.

CONSERVER TOUS LES AVERTISSEMENTS ET TOUTES LES DIRECTIVES POUR UN USAGE ULTÉRIEUR

Le terme « outil électrique » cité dans les avertissements se rapporte à votre outil électrique à alimentation sur secteur (avec fil) ou par piles (sans fil).

1) Sécurité du lieu de travail

- Tenir l'aire de travail propre et bien éclairée.**
Les lieux encombrés ou sombres sont propices aux accidents.
- Ne pas faire fonctionner d'outils électriques dans un milieu déflagrant, tel qu'en présence de liquides, de gaz ou de poussières inflammables.**
Les outils électriques produisent des étincelles qui pourraient enflammer la poussière ou les vapeurs.
- Éloigner les enfants et les personnes à proximité pendant l'utilisation d'un outil électrique.**
Une distraction pourrait en faire perdre la maîtrise à l'utilisateur.

2) Sécurité en matière d'électricité

- Les fiches des outils électriques doivent correspondre à la prise. Ne jamais modifier la fiche d'aucune façon. Ne jamais utiliser de fiche d'adaptation avec un outil électrique mis à la terre.** Le risque de choc électrique sera réduit par l'utilisation de fiches non modifiées correspondant à la prise.
- Éviter tout contact physique avec des surfaces mises à la terre comme des tuyaux, des radiateurs, des cuisinières et des réfrigérateurs.** Le risque de choc électrique est plus élevé si votre corps est mis à la terre.
- Ne pas exposer les outils électriques à la pluie ou à l'humidité.** La pénétration de l'eau dans un outil électrique augmente le risque de choc électrique.
- Ne pas utiliser le cordon de façon abusive. Ne jamais utiliser le cordon pour transporter, tirer ou débrancher un outil électrique. Tenir le cordon éloigné de la chaleur, de l'huile, des bords tranchants et des pièces mobiles.** Les cordons endommagés ou enchevêtrés augmentent les risques de choc électrique.
- Pour l'utilisation d'un outil électrique à l'extérieur, se servir d'une rallonge convenant à cette application.** L'utilisation d'une rallonge conçue pour l'extérieur réduira les risques de choc électrique.
- S'il est impossible d'éviter l'utilisation d'un outil électrique dans un endroit humide,**

brancher l'outil dans une prise ou sur un circuit d'alimentation dotés d'un disjoncteur de fuite à la terre (GFCI). L'utilisation de ce type de disjoncteur réduit les risques de choc électrique.

3) Sécurité personnelle

- Être vigilant, surveiller le travail effectué et faire preuve de jugement lorsqu'un outil électrique est utilisé. Ne pas utiliser d'outil électrique en cas de fatigue ou sous l'influence de drogues, d'alcool ou de médicaments.** Un simple moment d'inattention en utilisant un outil électrique peut entraîner des blessures corporelles graves.
 - Utiliser des équipements de protection individuelle. Toujours porter une protection oculaire.** L'utilisation d'équipements de protection comme un masque antipoussière, des chaussures antidérapantes, un casque de sécurité ou des protecteurs auditifs lorsque la situation le requiert réduira les risques de blessures corporelles.
 - Empêcher les démarrages intempestifs. S'assurer que l'interrupteur se trouve à la position d'arrêt avant de relier l'outil à une source d'alimentation et/ou d'insérer un bloc-piles, de ramasser ou de transporter l'outil.** Transporter un outil électrique alors que le doigt repose sur l'interrupteur ou brancher un outil électrique dont l'interrupteur est à la position de marche risque de provoquer un accident.
 - Retirer toute clé de réglage ou clé avant de démarrer l'outil.** Une clé ou une clé de réglage détachée à une partie pivotante de l'outil électrique peut provoquer des blessures corporelles.
 - Ne pas trop tendre les bras. Conserver son équilibre en tout temps.** Cela permet de mieux maîtriser l'outil électrique dans les situations imprévues.
 - S'habiller de manière appropriée. Ne pas porter de vêtements amples ni de bijoux. Garder les cheveux, les vêtements et les gants à l'écart des pièces mobiles.** Les vêtements amples, les bijoux ou les cheveux longs risquent de rester coincés dans les pièces mobiles.
 - Si des composants sont fournis pour le raccordement de dispositifs de dépoussiérage et de ramassage, s'assurer que ceux-ci sont bien accordés et utilisés.** L'utilisation d'un dispositif de dépoussiérage peut réduire les dangers engendrés par les poussières.
 - Ne pas laisser votre connaissance acquise suite l'utilisation fréquente des outils vous permettre de baisser la garde et ignorer les principes de sécurité de l'outil.** Un acte irréfléchi peut causer une blessure grave en une fraction de seconde.
- #### 4) Utilisation et entretien d'un outil électrique
- Ne pas forcer un outil électrique. Utiliser l'outil électrique approprié à l'application.** L'outil électrique approprié effectuera un meilleur travail,

FRANÇAIS

de façon plus sûre et à la vitesse pour laquelle il a été conçu.

- b) **Ne pas utiliser un outil électrique dont l'interrupteur est défectueux.** Tout outil électrique dont l'interrupteur est défectueux est dangereux et doit être réparé.
- c) **Débranchez la fiche de la prise électrique et, si amovible, retirez le bloc-piles de l'outil avant d'effectuer tout ajustement, changement et entreposage de celui-ci.** Ces mesures préventives réduisent les risques de démarrage accidentel de l'outil électrique.
- d) **Ranger les outils électriques hors de la portée des enfants et ne permettre à aucune personne n'étant pas familière avec un outil électrique ou son mode d'emploi d'utiliser cet outil.** Les outils électriques deviennent dangereux entre les mains d'utilisateurs inexpérimentés.
- e) **Gardez les poignées et surfaces d'emprise propres et libres de tout produit lubrifiant. Vérifier si les pièces mobiles sont mal alignées ou coincées, si des pièces sont brisées ou présentent toute autre condition susceptible de nuire au bon fonctionnement de l'outil électrique. En cas de dommage, faire réparer l'outil électrique avant toute nouvelle utilisation.** Beaucoup d'accidents sont causés par des outils électriques mal entretenus.
- f) **S'assurer que les outils de coupe sont aiguisés et propres.** Les outils de coupe bien entretenus et affûtés sont moins susceptibles de se coincer et sont plus faciles à maîtriser.
- g) **Utiliser l'outil électrique, les accessoires, les forêts, etc. conformément aux présentes directives en tenant compte des conditions de travail et du travail à effectuer.** L'utilisation d'un outil électrique pour toute opération autre que celle pour laquelle il a été conçu est dangereuse.
- h) **Garder vos mains et les surfaces de prise sèches, propres et libres de graisse et de poussière.** Les mains et les surfaces de prise glissante ne permettent pas la manutention et le contrôle sécuritaires de l'outil dans les situations imprévues.

5) Utilisation et entretien du bloc-piles

- a) **Ne recharger l'outil qu'au moyen du chargeur précisé par le fabricant.** L'utilisation d'un chargeur qui convient à un type de bloc-piles risque de provoquer un incendie s'il est utilisé avec un autre type de bloc-piles.
- b) **Utiliser les outils électriques uniquement avec les bloc-piles conçus à cet effet.** L'utilisation de tout autre bloc-piles risque de causer des blessures ou un incendie.
- c) **Lorsque le bloc-piles n'est pas utilisé, le tenir éloigné des objets métalliques, notamment des trombones, de la monnaie, des clés, des clous, des vis ou autres petits objets métalliques qui peuvent établir une connexion entre les deux bornes.** Le court-circuit des bornes du bloc-piles risque de provoquer des brûlures ou un incendie.

- d) **En cas d'utilisation abusive, le liquide peut gicler hors du bloc-piles; éviter tout contact avec ce liquide. Si un contact accidentel se produit, laver à grande eau. Si le liquide entre en contact avec les yeux, obtenir également des soins médicaux.** Le liquide qui gicle hors du bloc-piles peut provoquer des irritations ou des brûlures.
- e) **Ne pas utiliser de bloc-piles ou outil qui a été endommagé ou modifié.** Les unités endommagées ou modifiées peuvent avoir une réaction imprévisible résultant en un incendie, une explosion ou un potentiel de blessure.
- f) **Ne pas exposer de bloc-piles ou l'outil aux flammes ou à des températures excessives.** L'exposition aux flammes ou à une température au-dessus de 130 °C (265 °F) pourrait causer une explosion.
- g) **Suivre toutes les instructions de recharge et ne rechargez pas le bloc-piles ou l'outil à des températures hors de la plage de température indiquée dans les instructions.** Une recharge non conforme ou à une température hors des limites spécifiées peut endommager les piles et augmenter le risque d'incendie.

6) Réparation

- a) **Faire réparer l'outil électrique par un réparateur professionnel en n'utilisant que des pièces de rechange identiques.** Cela permettra de maintenir une utilisation sécuritaire de l'outil électriques.
- b) **Ne jamais réparer des blocs-piles endommagés.** La réparation de blocs-piles doit seulement être effectuée par le fabricant ou les fournisseurs de service autorisé.

Avertissements de sécurité concernant l'agrafeuse

- **Tenez toujours pour acquis que l'outil contient des agrafes.** Une manipulation imprudente de l'agrafeuse peut entraîner un tir inattendu d'agrafes et une blessure corporelle.
- **Ne jamais pointer l'outil vers soi-même ou toute autre personne à proximité.** Un déclenchement accidentel d'attaches pourrait causer des dommages corporels.
- **Ne pas activer l'outil à moins qu'il ne soit fermement appliqué contre la pièce à travailler.** Dans le cas contraire, l'attache pourrait être déviée de sa cible.
- **Déconnecter l'outil de sa source de courant lorsqu'une attache est restée coincée dans l'outil.** Lorsque vous retirez une agrafe bloquée, l'agrafeuse peut être accidentellement activée si elle est branchée.
- **Ne pas utiliser cette agrafeuse pour fixer des câbles électriques.** Il n'a pas été conçu pour installer des câbles électriques et pourrait en endommager l'isolant et poser ainsi des risques de chocs électriques et d'incendies.
- **Ne jamais utiliser l'outil si le chargeur n'est pas enclenché ou s'il est séparé de l'outil.**

Avertissements de sécurité supplémentaires concernant l'agrafeuse



AVERTISSEMENT : lorsque vous utilisez une agrafeuse, toutes les consignes de sécurité, selon les modalités suivantes, doivent être suivies afin d'éviter le risque de mort ou de blessure grave. Lire et assimiler toutes les directives avant d'utiliser l'outil.

- **Gardez les mains et les parties de votre corps à l'écart de la zone de sortie de l'outil.** Pendant l'utilisation, NE JAMAIS prendre l'outil par le magasin ou la cartouche, une fixation mal enfoncée peut sortir du nez causant une blessure.
- **Tenez l'outil par les surfaces de prise isolées lorsque vous effectuez une tâche ou l'agrafe peut entrer en contact avec le câblage dissimulé.** Tout contact avec un fil « sous tension » mettra « sous tension » les pièces métalliques exposées de l'outil et provoquera une décharge électrique chez l'opérateur de l'outil.
- **Toujours porter une protection auditive et toute autre protection convenable lors de l'utilisation de l'outil.** Dans certaines conditions et selon la durée d'utilisation, le bruit émis par ce produit pourrait contribuer à une perte auditive.
- **Déconnecter le bloc-piles lorsque l'outil n'est pas utilisé.** Retirer systématiquement le bloc-piles et les attaches du magasin avant de quitter l'aire de travail ou de passer l'outil à un autre utilisateur. Ne pas transporter l'outil connecté à son bloc-piles sur d'autres lieux de travail si cela implique l'utilisation d'échafaudages, d'escaliers, d'échelles ou tout autre moyen similaire. N'effectuer aucun réglage ou maintenance, ni aucun retrait d'attaches enrayées alors que le bloc-piles est en place.
- **Activer systématiquement le verrouillage de gâchette lorsque l'utilisation de l'outil n'est pas immédiate.** Le fait d'activer le verrouillage de gâchette préviendra toute décharge accidentelle.
- **Ne pas retirer, altérer, ou rendre de quelque manière que ce soit l'outil, la gâchette ou le verrouillage de gâchette inopérant.** Ne pas coller ou attacher la gâchette en position de marche. Ne pas retirer le ressort du déclencheur par contact. Vérifier quotidiennement que le mouvement de la gâchette est libre. Dans le cas contraire, une décharge incontrôlée pourrait en résulter.
- **Inspecter l'outil avant toute utilisation. Ne pas utiliser l'outil si une portion quelconque de l'outil, de la gâchette ou du verrouillage de gâchette est inopérante, déconnectée, modifiée ou ne fonctionne pas correctement.** Toute pièce endommagée ou manquante doit être réparée ou remplacée avant toute nouvelle utilisation. Se reporter à la rubrique Réparations.
- **Ne pas altérer ou modifier l'outil en aucune façon.**
- **Assumer systématiquement que l'outil est chargé.**
- **Ne jamais pointer l'outil vers soi-même ou autrui.** L'outil n'est pas un jouet ! Travailler en toute sécurité ! Respecter l'appareil en tant qu'outil de travail.
- **Tenir les enfants, les visiteurs ou toute autre personne à l'écart pendant l'utilisation d'un outil électrique.** Toute distraction pourrait faire perdre la

maîtrise de l'appareil. Après utilisation, verrouiller l'outil hors de la portée des enfants dans un endroit sûr.

- **Ne pas effectuer de travaux hors de portée.** Maintenir son équilibre et les pieds bien ancrés au sol en permanence. Perdre l'équilibre pourrait occasionner des dommages corporels.
- **Utilisez l'outil seulement pour son utilisation prévue. Ne pas décharger les fixations à l'air libre ou dans tout matériau trop dur pour que l'agrafe y pénètre. Ne pas utiliser le corps de l'outil ou le capuchon supérieur comme marteau. Les agrafes déchargées peuvent suivre une trajectoire inattendue et causer une blessure.**
- **Gardez toujours les doigts à l'écart du déclencheur par contact afin de prévenir une blessure due à la libération accidentelle de l'agrafe.**
- **Se reporter à la rubrique Entretien et Réparations pour obtenir de plus amples renseignements sur l'entretien approprié de l'outil.**
- **Toujours utiliser l'outil dans un endroit propre et éclairé.** S'assurer que la surface de travail est exempte de débris et prendre soin de ne pas perdre l'équilibre lors de travaux en hauteur, comme sur un toit.
- **Les attaches doivent être enfoncées droites dans le matériau.** Ne pas incliner l'agrafeuse pendant que vous enfoncez les fixations. Le ricochet ou le blocage d'agrafes peut entraîner une blessure corporelle.
- **Protéger les mains et toute partie du corps de la zone immédiate de travail.**



AVERTISSEMENT : maintenir les mains et le corps à l'écart de la zone d'expulsion des attaches de l'outil.

- **Ne pas utiliser l'outil en présence de poussières, gaz ou vapeurs inflammables.** Enfoncer une agrafe dans une autre agrafe peut aussi causer une étincelle.
- **Gardez votre visage et les parties de votre corps à l'écart de l'arrière du capuchon de l'outil lorsque vous travaillez dans des aires restreintes.** Un recul soudain peut entraîner un impact avec le corps, particulièrement lorsque vous agrafez dans un matériau dur ou dense.
- **Maintenir l'outil fermement pour conserver son contrôle tout en permettant à l'outil de rebondir de la surface à travailler alors que l'attache est enfoncée.**
- **Vous devez tenir compte de l'épaisseur du matériau lorsque vous utilisez l'agrafeuse.** Une agrafe qui dépasse peut causer une blessure.
- **Rester vigilant, faire attention au travail en cours et faire preuve de jugement dans l'utilisation de tout outil électrique. Ne pas utiliser d'outil en cas de fatigue ou sous l'emprise de drogues, d'alcool ou de médicaments.** Un simple moment d'inattention en utilisant un outil électrique peut entraîner des blessures graves.

Consigne de sécurité supplémentaire



AVERTISSEMENT : ne jamais modifier l'outil électrique ni aucun de ses composants, car il y a des risques de dommages corporels ou matériels.



AVERTISSEMENT : porter **SYSTEMATIQUEMENT** des lunettes de protection. Les lunettes courantes NE sont PAS des lunettes de protection. Utiliser aussi un masque antipoussières si la découpe doit en produire beaucoup. **PORTER SYSTEMATIQUEMENT UN ÉQUIPEMENT DE SÉCURITÉ HOMOLOGUÉ :**

- Protection oculaire ANSI Z87.1 (CAN/CSA Z94.3) ;
- Protection auditive ANSI S12.6 (S3.19) ;
- Protection des voies respiratoires NIOSH/OSHA/MSHA.



AVERTISSEMENT : les scies, meules, ponceuses, perceuses ou autres outils de construction peuvent produire des poussières contenant des produits chimiques reconnus par l'État californien pour causer des cancers, malformations congénitales ou être nocifs au système reproducteur. Parmi ces produits chimiques, on retrouve :

- Le plomb dans les peintures à base de plomb ;
- La silice cristallisée dans les briques et le ciment, ou autres produits de maçonnerie ; et
- L'arsenic et le chrome dans le bois ayant subi un traitement chimique.

Le risque associé à de telles expositions varie selon la fréquence à laquelle on effectue ces travaux. Pour réduire toute exposition à ces produits : travailler dans un endroit bien aéré, en utilisant du matériel de sécurité homologué, tel un masque antipoussières spécialement conçu pour filtrer les particules microscopiques.

- **Limiter toute exposition prolongée avec les poussières provenant du ponçage, sciage, meulage, perçage ou toute autre activité de construction. Porter des vêtements de protection et nettoyer à l'eau savonneuse les parties du corps exposées.** Le fait de laisser la poussière pénétrer dans la bouche, les yeux ou la peau peut favoriser l'absorption de produits chimiques dangereux.



AVERTISSEMENT : cet outil peut produire et/ou répandre de la poussière susceptible de causer des dommages sérieux et permanents au système respiratoire. Utiliser systématiquement un appareil de protection des voies respiratoires homologué par le NIOSH ou l'OSHA. Diriger les particules dans le sens opposé au visage et au corps.



AVERTISSEMENT : pendant l'utilisation, porter systématiquement une protection auditive individuelle adéquate homologuée ANSI S12.6 (S3.19). Sous certaines conditions et suivant la durée d'utilisation, le bruit émanant de ce produit pourrait contribuer à une perte de l'acuité auditive.



ATTENTION : après utilisation, ranger l'outil sur son côté, sur une surface stable, là où il ne pourra ni faire trébucher ni faire chuter quelqu'un. Certains outils équipés d'un large bloc-

puissent tenir à la verticale sur celui-ci, mais manquent alors de stabilité.

- **Prendre des précautions à proximité des événements, car ils cachent des pièces mobiles.** Vêtements amples, bijoux ou cheveux longs risquent de rester coincés dans ces pièces mobiles.

L'étiquette apposée sur votre outil peut inclure les symboles suivants. Les symboles et leur définition sont indiqués ci-après :

V	volts		or AC..... courant alternatif
Hz	hertz		or AC/DC.... courant alternatif ou continu
min	minutes	 fabrication classe II (double isolation)
— — — or DC.....	courant continu		n ₀
 fabrication classe I (mis à la terre)	n	vitesse nominale
... /min.....	par minute	 borne de terre
BPM.....	batttements par minute	 symbole d'avertissement
IPM.....	impacts par minute	 radiation visible
RPM.....	revolutions per minute	 protection respiratoire
sfpn	pieds linéaires par minute (plpm)	 protection oculaire
SPM (FPM).....	fréquence par minute	 protection auditive
A	ampères	 lire toute la documentation
W.....	watts		

BLOCS-PILES ET CHARGEURS

Le bloc-piles n'est pas totalement chargé d'usine. Avant d'utiliser le bloc-piles et le chargeur, lire les consignes de sécurité ci-après puis suivre la procédure de chargement indiquée. Pour commander un bloc-piles de rechange, s'assurer d'en inclure le numéro de catalogue et la tension. Cet outil fonctionne avec un chargeur DEWALT. S'assurer de bien lire toutes les consignes de sécurité avant toute utilisation du chargeur. Consulter le tableau en fin de manuel pour connaître les compatibilités entre chargeurs et blocs-piles.

LIRE TOUTES LES CONSIGNES

Consignes importantes de sécurité les blocs-piles



AVERTISSEMENT : Lire toutes les instructions et toutes les consignes de sécurité propres au bloc-piles, au chargeur et à l'outil électrique. Tout manquement aux avertissements et instructions pose des risques de décharges électriques, d'incendie et/ou de blessures graves.

- **Ne pas recharger ou utiliser un bloc-piles en milieu déflagrant, en présence, par exemple, de poussières, gaz ou liquides inflammables.** Le fait d'insérer ou retirer un bloc-piles de son chargeur pourrait causer l'inflammation de poussières ou d'émanations.
- **NE JAMAIS forcer l'insertion d'un bloc-piles dans un chargeur. NE modifier un bloc-piles d'AUCUNE façon pour le faire rentrer dans un chargeur incompatible,**

car il pourrait se briser et causer des dommages corporels graves. Consulter le tableau en dernière page de ce manuel pour connaître les compatibilités entre chargeurs et blocs-piles.

- Recharger les blocs-piles exclusivement dans des chargeurs DEWALT.
- **NE PAS** éclabousser le bloc-piles ou l'immerger dans l'eau ou dans tout autre liquide.
- **Ne pas entreposer ou utiliser l'appareil et le bloc-piles en présence de températures ambiantes pouvant excéder 40 °C (104 °F) (comme dans des hangars ou des bâtiments métalliques l'été).** Pour préserver leur durée de vie, entreposer les blocs-piles dans un endroit frais et sec.

REMARQUE : ne pas mettre un bloc-piles dans un outil dont la gâchette est verrouillée en position de marche. Ne jamais bloquer l'interrupteur en position de MARCHE.

- **Ne pas incinérer le bloc-piles même s'il est sévèrement endommagé ou complètement usagé, car il pourrait exploser et causer un incendie.** Pendant l'incinération des blocs-piles au lithium-ion, des vapeurs et matières toxiques sont dégagées.
- **En cas de contact du liquide de la pile avec la peau, rincer immédiatement au savon doux et à l'eau.** En cas de contact oculaire, rincer l'œil ouvert à l'eau claire une quinzaine de minutes ou jusqu'à ce que l'irritation cesse. Si des soins médicaux s'avéraient nécessaires, noter que l'électrolyte de la pile est composé d'un mélange de carbonates organiques liquides et de sels de lithium.
- **Le contenu des cellules d'une pile ouverte peut causer une irritation respiratoire.** En cas d'inhalation, exposer l'individu à l'air libre. Si les symptômes persistent, consulter un médecin.

! **AVERTISSEMENT :** risques de brûlure. Le liquide de la pile peut s'enflammer s'il est exposé à des étincelles ou à une flamme.

! **AVERTISSEMENT :** risques d'incendie. Ne jamais tenter d'ouvrir le bloc-piles pour quelque raison que ce soit. Si le boîtier du bloc-piles est fissuré ou endommagé, ne pas l'insérer dans un chargeur. Ne pas écraser, laisser tomber, ou endommager les blocs-piles. Ne pas utiliser un bloc-piles ou un chargeur qui a reçu un choc violent, ou si l'appareil est tombé, a été écrasé ou endommagé de quelque façon que ce soit (p. ex. percé par un clou, frappé d'un coup de marteau, piétiné). Les blocs-piles endommagés doivent être renvoyés à un centre de réparation pour y être recyclés.

Transport

! **AVERTISSEMENT :** risques d'incendie. Au moment de ranger ou transporter le bloc-piles, veiller à protéger ses bornes à découvert de tout objet métallique. Par exemple, éviter de placer le bloc-piles dans un tablier, une poche, une boîte à outils ou un tiroir, etc. contenant des objets tels que clous, vis, clés, etc. **Le fait de transporter des blocs-piles comporte des risques d'incendie, car les bornes**

des piles pourraient entrer, par inadvertance, en contact avec des objets conducteurs, tels que : clés, pièces de monnaie, outils ou autres.

La réglementation sur les produits dangereux (Hazardous Material Regulations) du département américain des transports interdit, en fait, le transport des blocs-piles dans les commerces ou dans les avions dans les bagages de cabine, À MOINS qu'ils ne soient correctement protégés de tout court-circuit. Aussi lors du transport individuel de blocs-piles, s'assurer que leurs bornes sont bien protégées et isolées de tout matériau pouvant entrer en contact avec elles et provoquer un court-circuit.

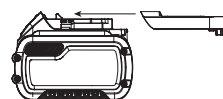
REMARQUE : il ne faut pas laisser de piles au lithium-ion dans les bagages enregistrés.

Expédition du bloc-piles DEWALT FLEXVOLT™

Le bloc-piles DEWALT FLEXVOLT™ possède deux modes : **Utilisation et Expédition.**

Mode Utilisation : lorsque le bloc-piles FLEXVOLT™ est par lui-même ou dans un produit DEWALT 20 v max*, il fonctionnera comme un bloc-piles de 20 v max*. Lorsque le bloc-piles FLEXVOLT™ est dans un produit de 60 v max* ou 120 v max* (deux blocs-piles de 60 v max*), il fonctionnera comme un bloc-piles de 60 v max*.

Mode Expédition : lorsque le capuchon est inséré sur le bloc-piles FLEXVOLT™, le bloc-piles est en mode Expédition. Les modules de cellules sont électriquement déconnectés du bloc faisant correspondre à trois blocs-piles d'un wattheure (Wh) inférieur comparé à un bloc-piles de wattheure élevé. Ce passage à trois blocs-piles à un wattheure inférieur peut permettre au bloc-piles d'être exempté de suivre certaines directives d'expédition imposées sur les blocs-piles de wattheure supérieur.



L'étiquette du bloc-piles donne deux estimations de wattheures (se reporter à l'exemple). Selon comment le bloc-piles est expédié, l'estimation appropriée de wattheure doit être utilisée pour déterminer les modalités d'expédition lui correspondant. Si le capuchon d'expédition est utilisé, le bloc-piles sera considéré comme 3 blocs-piles au wattheure indiqué pour « Expédition ». S'il est expédié sans le capuchon ou dans un outil, le bloc-piles sera considéré comme un seul bloc-piles au wattheure indiqué à côté de « Utilisation ».

Exemple d'étiquetage d'utilisation et d'expédition

USE: 120 Wh Shipping: 3 x 40 Wh

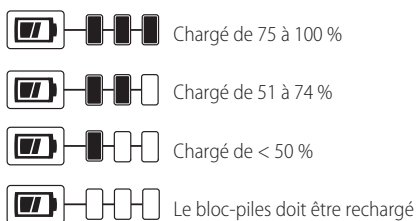
Par exemple, le Wh de expédition pourra indiquer 3 x 40 Wh, ce qui correspond à 3 blocs-piles de 40 wattheures chacun. L'utilisation du Wh pourra indiquer 120 Wh (sous-entendu 1 bloc-piles).

Témoin de Charge du Bloc-Piles (Fig. B)

Certains blocs-piles DEWALT possèdent un témoin de charge qui consiste en trois voyants Del verts indiquant le niveau de charge du bloc-piles.

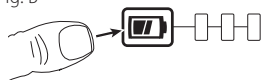
FRANÇAIS

Le témoin de charge indique approximativement le niveau de charge restant dans le bloc-piles en fonction des voyants suivants :



Pour activer le témoin de charge, maintenez appuyé le bouton du témoin de charge. Une combinaison des trois voyants Del verts s'allumera indiquant le niveau de charge. Lorsque le niveau de charge du bloc-pile atteint la limite minimale d'utilisation, le témoin de charge reste éteint et le bloc-piles doit être rechargé.

Fig. B



REMARQUE : le témoin de charge ne fait qu'indiquer le niveau de charge du bloc-piles. Il ne donne aucune indication quant au fonctionnement de l'outil. Son propre fonctionnement pourra aussi varier en fonction des composants produit, de la température et de l'application d'utilisation.

Pour plus d'informations quant au témoin de charge du bloc-piles, veuillez appeler le 1-800-4-DEWALT (1-800-433-9258) ou vous rendre sur notre site www.dewalt.com.

Le sceau SRPRC®

Le sceau SRPRC® (Société de recyclage des piles rechargeables du Canada) apposé sur une pile au nickel-cadmium, à hydrure métallique de nickel ou au lithium-ion (ou un bloc-piles) indique que les coûts de recyclage de ces derniers en fin d'utilisation ont déjà été réglés par DEWALT. Dans certaines régions, la mise au rebut ou aux ordures municipales des piles au nickel-cadmium, à l'hydrure métallique de nickel ou au lithium-ion, est illégale ; le programme de l'Appel à Recycler® constitue donc une solution pratique et écologique.

Appel à Recycler Canada, Inc., en collaboration avec DEWALT et d'autres utilisateurs de piles, a mis sur pied de programme aux États-Unis et au Canada pour faciliter la collecte des piles au nickel-cadmium, à l'hydrure métallique de nickel ou au lithium-ion usagées. Aidez-nous à protéger l'environnement et à conserver nos ressources naturelles en renvoyant les piles au nickel-cadmium, à l'hydrure métallique de nickel ou au lithium-ion usagées à un centre de réparation autorisé DEWALT ou chez votre détaillant afin qu'elles y soient recyclées. On peut en outre se renseigner auprès d'un centre de recyclage local pour connaître d'autres sites les acceptant.

SRPRC® est une marque déposée de l'Appel à Recycler Canada, Inc.



Directives de sécurité importantes propres à tous les chargeurs de piles

AVERTISSEMENT : Lire toutes les instructions et toutes les consignes de sécurité propres au bloc-piles, au chargeur et à l'outil électrique. Tout manquement aux avertissements et instructions pose des risques de décharges électriques, d'incendie et/ou de blessures graves.

- **NE PAS tenter de charger de bloc-piles avec des chargeurs autres que ceux décrits dans ce manuel.** Le chargeur et son bloc-piles ont été conçus tout spécialement pour fonctionner ensemble.
- **Ces chargeurs n'ont pas été conçus pour une utilisation autre que recharger les blocs-piles rechargeables DEWALT.** Toute autre utilisation comporte des risques d'incendie, de chocs électriques ou d'électrocution.
- **Protéger le chargeur de la pluie ou de la neige.**
- **Tirer sur la fiche plutôt que sur le cordon pour débrancher le chargeur.** Cela permet de réduire les risques d'endommager la fiche ou le cordon d'alimentation.
- **S'assurer que le cordon est protégé de manière à ce que personne ne marche ni ne trébuché dessus, ou à ce qu'il ne soit ni endommagé ni soumis à aucune tension.**
- **N'utiliser une rallonge qu'en cas de nécessité absolue.** L'utilisation d'une rallonge inadéquate comporte des risques d'incendie, de chocs électriques ou d'électrocution.
- **Pour utiliser un chargeur à l'extérieur, le placer dans un endroit sec et utiliser une rallonge conçue pour l'extérieur.** L'utilisation d'une rallonge conçue pour l'extérieur réduit les risques de chocs électriques.
- **Pour la sécurité de l'utilisateur, utiliser une rallonge de calibre adéquat (AWG, American Wire Gauge [calibrage américain normalisé des fils électriques]).** Plus le calibre est petit, et plus sa capacité est grande. Un calibre 16, par exemple, a une capacité supérieure à un calibre 18. L'usage d'une rallonge de calibre insuffisant causera une chute de tension qui entraînera perte de puissance et surchauffe. Si plus d'une rallonge est utilisée pour obtenir une certaine longueur, s'assurer que chaque rallonge présente au moins le calibre de fil minimum. Le tableau ci-dessous illustre les calibres à utiliser selon la longueur de rallonge et l'intensité nominale indiquée sur la plaque signalétique. En cas de doute, utiliser le calibre suivant. Plus le calibre est petit, plus la rallonge peut supporter de courant.

Calibre minimum pour les cordons d'alimentation

Volts	Longueur totale du cordon d'alimentation en mètre (pieds)					
	120 V	7,6 (25)	15,2 (50)	30,5 (100)	45,7 (150)	
240 V	15,2 (50)	30,5 (100)	61,0 (200)	91,4 (300)		
Ampères		AWG				
Plus que	Pas plus que					
0	6	18	16	16	14	
6	10	18	16	14	12	
10	12	16	16	14	12	
12	16	14	12	Non recommandé		

- **Ne poser aucun objet sur le chargeur. Ne pas mettre le chargeur sur une surface molle qui pourrait en bloquer la ventilation et provoquer une surchauffe interne.** Éloigner le chargeur de toute source de chaleur. Le chargeur dispose d'orifices d'aération sur le dessus et le dessous du boîtier.
- **Ne pas le faire fonctionner avec un cordon d'alimentation ou une fiche endommagée.**
- **Ne pas utiliser le chargeur s'il a reçu un coup, fait une chute ou a été endommagé de quelque façon que ce soit.** Le ramener dans un centre de réparation agréé.
- **Ne pas démonter le chargeur. Pour tout service ou réparation, le rapporter dans un centre de réparation agréé.** Le fait de le réassembler de façon incorrecte comporte des risques de chocs électriques, d'électrocution et d'incendie.
- **Débrancher le chargeur du secteur avant tout entretien. Cela réduira tout risque de chocs électriques.** Le fait de retirer le bloc-piles ne réduira pas ces risques.
- **NE JAMAIS** tenter de connecter 2 chargeurs ensemble.
- **Le chargeur a été conçu pour être alimenté en courant électrique domestique standard de 120 volts. Ne pas tenter de l'utiliser avec toute autre tension.** Cela ne s'applique pas aux chargeurs de postes mobiles.

⚡ AVERTISSEMENT : risques de chocs électriques. Ne laisser aucun liquide pénétrer dans le chargeur, des chocs électriques pourraient en résulter.

⚠ AVERTISSEMENT : risques de brûlure. Ne submerger le bloc-piles dans aucun liquide et le protéger de toute infiltration de liquide. Ne jamais tenter d'ouvrir le bloc-piles pour quelque raison que ce soit. Si le boîtier plastique du bloc-piles est brisé ou fissuré, le retourner dans un centre de réparation pour y être recyclé.

⚠ ATTENTION : risques de brûlure. Pour réduire tout risque de dommages corporels, ne recharger que des blocs-piles rechargeables DeWALT. Tout autre type de piles pourrait exploser et causer des dommages corporels et matériels.

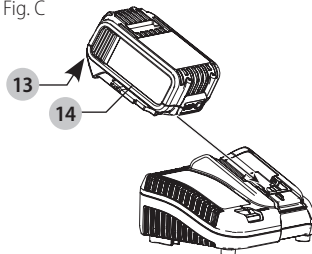
AVIS : sous certaines conditions, lorsque le chargeur est connecté au bloc d'alimentation, des matériaux étrangers pourraient court-circuiter le chargeur. Les corps étrangers conducteurs tels que (mais pas limités à) poussières de rectification, débris métalliques, laine

d'acier, feuilles d'aluminium, ou toute accumulation de particules métalliques doivent être maintenus à distance des orifices du chargeur. Débrancher systématiquement le chargeur lorsque le bloc-piles n'y est pas inséré. Débrancher systématiquement le chargeur avant tout entretien.

Chargement du bloc-piles (Fig. C)

1. Branchez le chargeur dans la prise appropriée avant d'y insérer le bloc-piles.

Fig. C



2. Insérer le bloc-piles **14** dans le chargeur, en vous assurant qu'il y est correctement calé. Le voyant rouge (charge) clignotera de façon continue indiquant que le cycle de chargement a commencé.
3. En fin de charge, le voyant rouge restera ALLUMÉ de façon continue. Le bloc-piles est alors complètement rechargé et peut être utilisé ou laissé dans le chargeur. Pour retirer le bloc-piles du chargeur, appuyez sur le bouton de libération du bloc-piles **13** sur le bloc-piles.

REMARQUE : pour assurer des performances optimales et une durée de vie maximale des blocs-piles au lithium-ion, recharger pleinement le bloc-piles avant toute utilisation initiale.

Utilisation du chargeur

Reportez-vous aux indications du tableau ci-dessous pour consulter le statut de charge du bloc-piles.

DCB101	
	Bloc-piles en Cours de Chargement - - - - -
	Bloc-piles Chargé —————
	Suspension de Charge Contre le Chaud/ Froid - ● - ● - ● - ●
	Bloc-Pile ou Chargeur Défectueux ● ● ● ● ● ● ● ●

DCB107, DCB112, DCB113, DCB115, DCB118, DCB132	
	Bloc-piles en Cours de Chargement - - - - -
	Bloc-piles Chargé —————
	Suspension de Charge Contre le Chaud/Froid* - - - - -

***DCB107, DCB112, DCB113, DCB115, DCB118, DCB132:** le voyant rouge ne cessera de clignoter, mais un voyant jaune restera allumé pendant cette opération. Lorsque le bloc-piles aura repris une température appropriée,

FRANÇAIS

le voyant jaune s'éteindra et le chargeur reprendra sa procédure de charge.

Le chargeur ne pourront recharger des blocs-piles défectueux. Le chargeur indiquera qu'un bloc-piles est défectueux en refusant de s'allumer ou en affichant bloc-piles ou chargeur défectueux.

REMARQUE : cela pourra aussi indiquer un problème avec le chargeur.

Si le problème provient du chargeur, faites vérifier le chargeur et le bloc-piles chez un centre de réparation agréé.

Fonction de suspension de charge contre le chaud/froid

Lorsque le chargeur détecte un bloc-piles trop chaud ou trop froid, il démarre automatiquement la fonction de suspension de charge contre le chaud, suspendant le chargement jusqu'à ce que le bloc-piles ait repris une température appropriée. Le chargeur ensuite se remettra automatiquement en mode de chargement. Cette caractéristique assure aux blocs-piles une durée de vie maximale.

Un bloc-piles froid se rechargera moins vite qu'un bloc-piles chaud. Le bloc-piles se rechargera à ce rythme plus lent tout au cours du cycle de charge et ne retournera pas à sa vitesse maximale de charge même s'il venait à se réchauffer.

Le chargeur DCB118 est équipé d'un ventilateur interne destiné à refroidir le bloc-piles. Le ventilateur se mettra automatiquement en marche chaque fois que le bloc-piles aura besoin de se refroidir.

N'utilisez jamais le chargeur si le ventilateur ne fonctionne pas correctement ou si ses fentes d'aération sont bloquées. Protégez systématiquement l'intérieur du chargeur de tout objet étranger.

Système de protection électronique

Les appareils au Li-Ion sont équipés d'un système électronique de protection pour protéger les blocs-piles de toute surcharge, surchauffe ou fuite importante.

L'appareil s'arrêtera automatiquement dès que le système électronique de protection sera activé. Si c'était le cas, placez le bloc-piles au lithium-ion sur son chargeur jusqu'à ce qu'il soit complètement rechargé.

Installation murale

DCB107, DCB112, DCB113, DCB115, DCB118, DCB132

Ces chargeurs ont été conçus pour une installation murale ou pour être posés sur une table ou une surface de travail. Pour une fixation murale, installez le chargeur à proximité d'une prise électrique, et à l'écart de coins ou de toute autre obstruction au passage de l'air. Utilisez l'arrière du chargeur pour marquer l'emplacement des vis de montage sur le mur. Fixez soigneusement le chargeur à l'aide de vis autoforeuses (vendues séparément) d'au moins 25,4 mm (1 po) de long, et de diamètre de tête de 7-9 mm (0,28-0,35 po), que vous visserez dans le bois en laissant une longueur optimale d'environ 5,5 mm (7/32 po) exposée. Alignez les orifices à l'arrière du chargeur sur les vis exposées et insérez à fond ces dernières dans les orifices.

Instructions d'entretien du chargeur



AVERTISSEMENT : risques de chocs électriques.

Débrancher le chargeur de la prise de courant alternatif avant tout entretien. Éliminer toute saleté ou graisse de la surface externe du chargeur à l'aide d'un chiffon ou d'une brosse non métallique douce. N'utiliser ni eau ni aucun nettoyant liquide.

Remarques importantes concernant le chargement

1. Pour augmenter la durée de vie du bloc-piles et optimiser son rendement, le recharger à une température ambiante de 18 ° à 24 °C (65 °F à 75 °F). NE PAS recharger lorsque le bloc-piles est en dessous + 4,5 °C (+ 40 °F) ou supérieure à + 40 °C (+ 104 °F). C'est important pour prévenir tout dommage sérieux au bloc-piles.
2. Le chargeur et son bloc-piles peuvent devenir chauds au toucher pendant la charge. C'est normal et ne représente en aucun cas une défaillance du produit. Pour faciliter le refroidissement du bloc-piles après utilisation, éviter de laisser le chargeur ou le bloc-piles dans un local où la température ambiante est élevée comme dans un hangar métallique ou une remorque non isolée.
3. Si le bloc-piles ne se recharge pas correctement :
 - a. Vérifier le bon fonctionnement de la prise en y branchant une lampe ou tout autre appareil électrique.
 - b. Vérifier que la prise n'est pas contrôlée par un interrupteur qui coupe le courant lorsqu'on éteint les lumières.
 - c. Déplacer le chargeur et le bloc-piles dans un local où la température ambiante se trouve entre environ 18 ° et 24 °C (65 °F et 75 °F).
 - d. Si le problème persiste, amener l'outil, le bloc-piles et son chargeur dans un centre de réparation local.
4. Recharger le bloc-piles lorsqu'il ne produit plus assez de puissance pour effectuer un travail qu'il faisait facilement auparavant. NE PAS CONTINUER à l'utiliser dans ces conditions. Suivre la procédure de charge. Si nécessaire, il est aussi possible de recharger un bloc-piles partiellement déchargé sans effet nuisible sur le bloc-piles.
5. Les corps étrangers conducteurs tels que (mais pas limité à) poussières de rectification, débris métalliques, laine d'acier, feuilles d'aluminium, ou toute accumulation de particules métalliques doivent être maintenus à distance des orifices du chargeur. Débrancher systématiquement le chargeur lorsque le bloc-piles n'y est pas inséré. Débrancher systématiquement le chargeur avant tout entretien.
6. Ne pas congeler ou immerger le chargeur dans l'eau ou tout autre liquide.

Recommandations de stockage

1. Le lieu idéal de rangement est un lieu frais et sec, à l'abri de toute lumière solaire directe et de toute température excessive.
2. Pour un stockage prolongé, il est recommandé d'entreposer le bloc-piles pleinement chargé dans un lieu frais et sec, hors du chargeur pour optimiser les résultats.

REMARQUE : les blocs-piles ne devraient pas être entreposés complètement déchargés. Il sera nécessaire de recharger le bloc-piles avant réutilisation.

CONSERVER CES CONSIGNES POUR UTILISATION ULTÉRIEURE

Usage prévu

Votre agrafeuse pour clôtures est conçue pour être utilisée **SEULEMENT** pour l'enfoncement d'agrafes dans le bois.

NE PAS utiliser ce produit pour fixer des câbles électriques.

NE PAS les utiliser en milieu ambiant humide ou en présence de liquides ou de gaz inflammables.

Utiliser **EXCLUSIVEMENT** des pointes recommandées par DEWALT et conformes aux exigences des codes du bâtiment en vigueur.

Utilisez **SEULEMENT** des agrafes DEWALT.

Cet outil a été conçu pour les professionnels de la construction.

NE PAS le laisser à la portée des enfants. Une supervision est nécessaire auprès de tout utilisateur non expérimenté.

FICHE TECHNIQUE DE L'OUTIL

Mode de tir	Séquentiel et RapidCycle
Tension	20 V
Hauteur	429 mm (16,9 po)
Largeur	104 mm (4,1 po)
Longueur	361 mm (14,2 po)
Poids	3,99 kg (8,8 lb)
Angle du chargeur	0°
Capacité du chargeur	Jusqu'à 35 agrafes
Mécanisme de prévention des déclenchements à vide	5 agrafes

CARACTÉRISTIQUES DE L'AGRAFEUSE

IMPORTANT : Votre agrafeuse pour clôtures est **SEULEMENT** compatible avec les agrafes DEWALT.

Longueurs des agrafes	38 mm, 44,4 mm et 50,1 mm (1-1/2 po, 1-3/4 po et 2 po)
Diamètres de tige	4 mm
Angle des agrafes	0°

Mécanisme de prévention des déclenchements à vide

Votre agrafeuse est munie d'un verrouillage de tir à vide qui empêche l'outil de s'activer lorsque le magasin est presque vide. Lorsqu'il reste 5 agrafes dans le magasin, l'outil cesse de fonctionner. Consultez **Chargement de l'outil** pour recharger un bâton d'agrafes regroupées.

ASSEMBLAGE ET AJUSTEMENTS

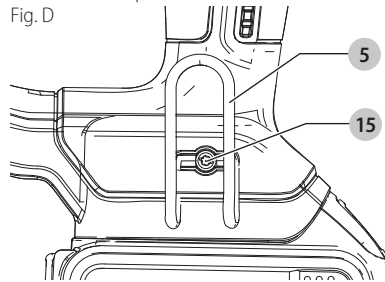
⚠ AVERTISSEMENT : pour réduire le risque de blessures graves, éteindre l'outil et retirer le bloc-piles avant d'effectuer tout réglage et d'enlever ou d'installer tout accessoire. Un démarrage accidentel peut provoquer des blessures.

Crochet polyvalent (Fig. D)

Si l'utilisation d'un crochet n'est absolument pas désirée, il peut être retiré de l'outil.

Retrait du crochet polyvalent

1. Retirez le bloc-piles de l'outil.
2. Pour accommoder l'outil pour un droitier ou un gaucher, retirez simplement la vis **15** du côté non désiré de l'outil et rattachiez le crochet polyvalent **5** sur le côté désiré.
3. Réinsérez le bloc-piles.



⚠ AVERTISSEMENT : retirez les agrafes du magasin avant de faire tout ajustement ou entretien de cet outil. Ne pas le faire peut entraîner une blessure grave.

⚠ AVERTISSEMENT : déconnecter le bloc-piles de l'outil avant tout réglage, changement d'accessoire, ou entretien, ou avant de déplacer l'outil. Ces mesures préventives de sécurité réduisent les risques de démarrage accidentel de l'outil.

⚠ AVERTISSEMENT : après utilisation, ranger l'outil sur son côté, sur une surface stable, là où il ne pourra ni faire trébucher ni faire chuter quelqu'un. Certains outils équipés d'un large bloc-piles peuvent tenir à la verticale sur celui-ci, mais manquent alors de stabilité.

UTILISATION (FIG. A)

⚠ AVERTISSEMENT : pour réduire le risque de blessures graves, éteindre l'outil et retirer le bloc-piles avant d'effectuer tout réglage et d'enlever ou d'installer tout accessoire. Un démarrage accidentel peut provoquer des blessures.

⚠ AVERTISSEMENT : lisez la section intitulée **Avertissements de sécurité concernant l'agrafeuse**. Portez toujours une protection auditive et oculaire lorsque vous utilisez cet outil. Ne pas diriger

FRANÇAIS

l'agrafeuse vers vous ou d'autres personnes. Pour une utilisation sécuritaire, effectuez les procédures et les vérifications suivantes avant chaque utilisation de l'agrafeuse.

1. Porter systématiquement une protection oculaire, antibruit et des voies respiratoires adéquates.
2. Retirer le bloc-piles **14** de l'outil.
3. Verrouillez le poussoir **12** en position arrière et retirez toutes les agrafes du magasin.
4. Vérifier que le déclencheur par contact **7** et le dispositif du poussoir fonctionnent correctement et librement. Ne pas utiliser l'outil si ces dispositifs ne fonctionnent pas correctement. **NE JAMAIS** utiliser un outil dont le déclencheur par contact est bloqué en position supérieure.
5. **NE JAMAIS** utiliser un outil comportant des pièces endommagées.

! **AVERTISSEMENT :** afin de réduire le risque de blessure corporelle, déconnectez le bloc-piles de l'outil avant d'effectuer un entretien, lorsque vous retirez des agrafes coincées, laissez l'aire de travail, déplacez l'outil dans un autre endroit ou donnez l'outil à une autre personne.

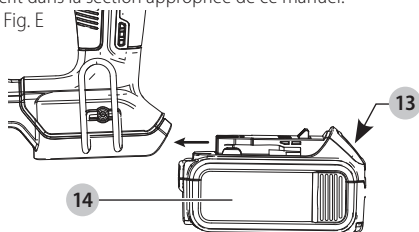
Installation et retrait du bloc-piles (Fig. E)

REMARQUE : pour des résultats optimaux, s'assurer que le bloc-piles est complètement chargé.

Pour installer le bloc-piles **14** dans la poignée de l'outil, alignez le bloc-piles sur les rails dans la poignée de l'outil et faites-le glisser fermement en place puis vérifiez qu'il ne s'en détachera pas.

Pour retirer le bloc-piles de l'outil, poussez sur le bouton de libération **13** et tirez fermement le bloc-piles hors de la poignée de l'outil. Insérez-le dans son chargeur comme décrit dans la section appropriée de ce manuel.

Fig. E



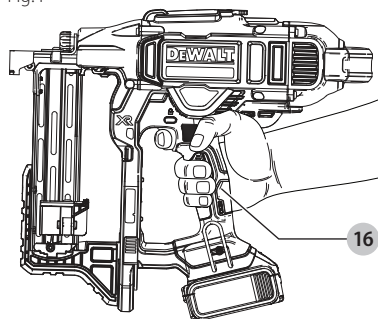
Position correcte des mains (Fig. F)

! **AVERTISSEMENT :** pour réduire tout risque de dommages corporels graves, adopter **SYSTÉMATIQUEMENT** la position des mains illustrée.

! **AVERTISSEMENT :** pour réduire tout risque de dommages corporels graves, maintenir **SYSTÉMATIQUEMENT** l'outil fermement pour anticiper toute réaction soudaine.

La position correcte des mains requiert une main sur la poignée principale **16** comme illustré en Fig. F.

Fig. F



Préparation de l'outil

AVIS : NE JAMAIS pulvériser ou appliquer un lubrifiant ou des solvants pour le nettoyage, d'une façon ou d'une autre, à l'intérieur de l'outil. Cette pratique peut nuire sérieusement à la durée de vie et au rendement de l'outil.



REMARQUE : le bloc-piles n'est pas totalement chargé d'usine. Suivre les instructions indiquées (se reporter à la section **Chargement du bloc-piles**).

1. Lisez la section **Avertissements de sécurité concernant l'agrafeuse** de ce guide.
2. Porter une protection oculaire et auditive.
3. Retirer le bloc-piles **14** de l'outil.
4. S'assurer que le chargeur **10** a été vidé de toutes ses attaches.
5. Vérifier que le déclencheur par contact **7** et le dispositif du poussoir fonctionnent correctement et librement. Ne pas utiliser l'outil si ces dispositifs ne fonctionnent pas correctement. **NE JAMAIS** utiliser un outil dont le déclencheur par contact est bloqué en position activée.
6. Maintenir l'outil pointé dans la direction opposée à soi-même et à tout individu présent.
7. Insérer le bloc-piles pleinement chargé.

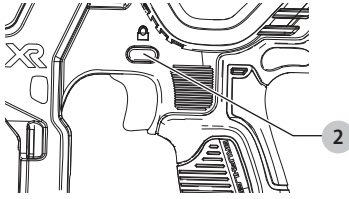
Utilisation du verrouillage de gâchette (Fig. G)

! **AVERTISSEMENT :** pour réduire tout risque de dommages corporels graves, ne plus appuyer sur la gâchette lorsque l'outil n'est pas utilisé. Laisser le verrouillage de gâchette VERROUILLÉ (Fig. G) hors utilisation de l'outil.

! **AVERTISSEMENT :** afin de réduire le risque de blessure corporelle grave, verrouillez la gâchette, déconnectez le bloc-piles de l'outil et retirez les agrafes du magasin avant de faire des ajustements.

Cette agrafeuse DEWALT est munie d'un verrou de la gâchette **2** qui, lorsqu'il est poussé vers la droite comme illustré dans la Figure G, empêche l'outil de décharger une agrafe en verrouillant la gâchette et en court-circuitant l'alimentation du mandrin.

Fig. G



Lorsque le verrouillage de gâchette sera poussé sur la gauche, l'outil sera pleinement opérationnel. Le verrouillage de gâchette devrait systématiquement être verrouillé chaque fois qu'un réglage est effectué ou que l'outil est hors utilisation immédiate.

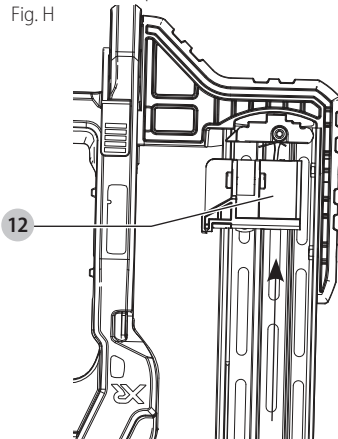
AVIS : ne pas entreposer l'outil avec son bloc-piles installé. Pour ne pas endommager les bloc-piles et préserver leur durée de vie, les entreposer hors de l'outil ou du chargeur dans un endroit frais et sec.

Chargement de l'outil (Fig. H)

- AVERTISSEMENT :** maintenir l'outil pointé dans la direction opposée à vous même et à tout individu présent.
- AVERTISSEMENT :** ne jamais charger des agrafes pendant que le déclencheur par contact ou la gâchette est activé.
- AVERTISSEMENT :** retirez toujours le bloc-piles avant de charger ou décharger des agrafes.
- ATTENTION :** pour prévenir tout risque de dommages corporels, maintenir les doigts à l'écart du rail du verrou à glissière.
- AVERTISSEMENT :** le verrouillage de gâchette devrait systématiquement être activé chaque fois qu'un réglage est effectué ou que l'outil est hors utilisation immédiate.
- AVERTISSEMENT :** cette agrafeuse nécessite l'utilisation des agrafes DEWALT.

1. Tournez l'agrafeuse à l'envers.
2. Glissez le poussoir à ressort **12** à la base du magasin pour le verrouiller en place.

Fig. H



3. Déposez les bandes d'agrafes dans la fente de chargement du magasin en vous assurant que les têtes des agrafes s'alignent bien avec l'ouverture de la fente. (Consultez **Caractéristiques des agrafes** pour déterminer la taille compatible.)
4. Gardez les doigts à l'écart de la coulisse, fermez le magasin en relâchez le verrou du poussoir. Laissez soigneusement le verrou glisser vers l'avant et insérez la bande d'agrafes.

Déchargement de l'outil

AVERTISSEMENT : le verrouillage de gâchette devrait systématiquement être verrouillé chaque fois qu'un réglage est effectué ou que l'outil est hors utilisation.

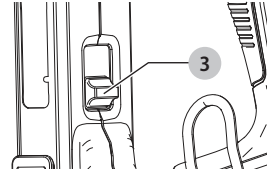
1. Glissez le poussoir à ressort à la base du magasin pour le verrouiller en place.
2. Inclinez l'outil vers le haut jusqu'à ce que la bande d'attaches sorte librement du chargeur.
3. Avec la pile retirée, vérifiez l'embout pour vous assurer qu'il n'y a aucune agrafe restante.

Sommaire de réglage de puissance (Fig. I, J)

Cette agrafeuse est munie d'un bouton de sélection de l'alimentation sans outils **3** pour ajuster l'outil pour différentes applications.

Si les agrafes ne s'enfoncent pas en profondeur dans le réglage de puissance 1, vous pouvez passer à la puissance 2 ou 3 pour une puissance d'enfoncement supplémentaire.

Fig. I

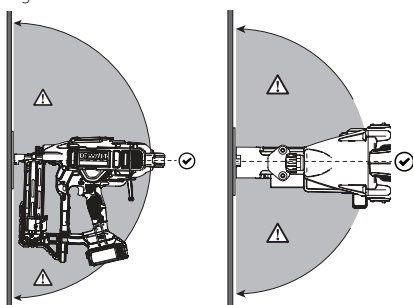


AVIS : enfoncer des agrafes dans des matériaux mous à des réglages de puissance élevée causera l'usure excessive de votre outil et peut entraîner des défaillances précoces.

Réglage de puissance	Application	Longueur des agrafes typiques
1	Longueur d'agrafes plus courtes / enfoncement des agrafes minimal désiré	38 mm (1-1/2 po) typique
2	Enfoncement d'agrafes augmenté désiré pour longueurs d'agrafes moyennes à grandes	44,4 mm–51,1 mm (1-3/4 po–2 po) typique
3	Enfoncement d'agrafes maximum désiré	44,4 mm–51,1 mm (1-3/4 po–2 po) typique

AVERTISSEMENT : les agrafes doivent être enfoncées droites dans le matériau. Ne pas incliner l'agrafeuse pendant que vous enfoncez les fixations. Consultez la Figure J. Les valeurs de retenue des agrafes s'améliorent lorsque l'outil tire de façon perpendiculaire au matériau.

Fig. J



Réglage de profondeur (Fig. K)

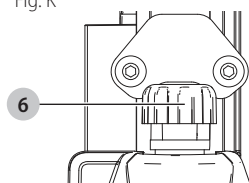
La profondeur à laquelle l'agrafe est enfoncée peut être ajustée à l'aide de l'ajustement de la profondeur sans outils 6 sur le nez de l'outil.

AVERTISSEMENT : pour réduire tout risque de dommages corporels graves causés par un fonctionnement accidentel de l'appareil lors du réglage de profondeur, SYSTÉMATIQUEMENT :

- Retirer le bloc-piles;
- Enclencher le verrouillage de gâchette;
- Pointez toujours le nez de l'agrafeuse loin de vous.
- Éviter tout contact avec la gâchette pendant le réglage.

1. Pour enfoncer l'agrafe plus moins profondément, tournez l'ajustement de la profondeur sans outils 6 vers la gauche.
2. Pour enfoncer l'agrafe plus profondément, tournez l'ajustement de la profondeur sans outils 6 vers la droite.

Fig. K



Sélection du mode (Fig. A)

AVERTISSEMENT : porter systématiquement une protection oculaire [ANSI Z87.1 (CAN/CSA Z94.3)] et une protection auditive [ANSI S12.6 (S3.19)] adéquates lors de l'utilisation de cet outil.

Pour choisir le mode séquentiel standard, poussez le sélection du mode sans outils 4 pour afficher l'icône de flèche unique ◀.

Pour choisir le mode de fonctionnement séquentiel rapide (RapidCycle), < poussez le sélection du mode sans outils 4 pour afficher l'icône de flèche double ◀◀.

REMARQUE : la durée d'utilisation du bloc-piles sera plus courte en mode RapidCycle qu'en mode séquentiel standard. Laisser l'outil en mode séquentiel standard optimisera la durée d'utilisation du bloc-piles.

Mode séquentiel

Le mode séquentiel est utilisé pour l'agrafage intermittent. Il offre la durée de vie des piles maximum pour enfoncer des agrafes.

1. À l'aide du sélection du mode sans outils 4, sélectionnez le mode séquentiel.
2. Libérez le verrouillage de verrouillage de la gâchette 2.
3. Appuyez le déclencheur par contact 7 contre la surface à travailler.
4. Appuyez sur la gâchette 1 pour activer l'outil.
5. Relâchez la gâchette et levez l'agrafeuse de la surface de travail.
6. Répétez les étapes 3 à 5 pour activer la prochaine agrafe.

Mode Rapidcycle

En mode RapidCycle, la vitesse de rotation du mandrin est automatiquement rétablie après avoir enfoncé une agrafe pour permettre un agrafage consécutif rapide. Tout en offrant la capacité d'enfoncer plus d'agrafes en moins de temps, ce mode épuise plus rapidement la charge de la pile.

1. Utilisez le bouton de sélection du mode sans outils 4 pour sélectionner le mode RapidCycle.
2. Libérez le verrouillage de sécurité de la gâchette 2.
3. Appuyez le déclencheur par contact 7 contre la surface à travailler.
4. Appuyez sur la gâchette 1 pour activer l'outil.
5. Relâchez la gâchette et levez l'agrafeuse de la surface de travail.


REMARQUE : le moteur de l'outil tournera à nouveau automatiquement à plein régime sans avoir à appuyer sur le déclencheur par contact 7.

6. Répétez les étapes 3 à 5 pour activer la prochaine agrafe.

Système d'éclairage/Voyant DEL (Fig. A)

Des voyants de charge et de grippage/enrayage 9 sont situés à l'avant de l'outil de chaque côté du chargeur.

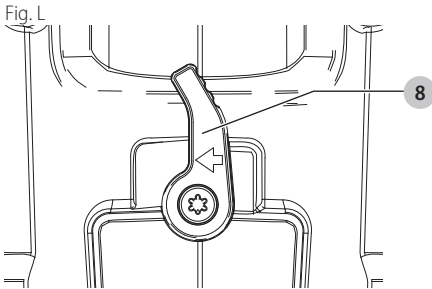
	PILE FAIBLE Remplacer le bloc-piles par un bloc-piles chargé.
	BLOC-PILES CHAUD Laisser le bloc-piles refroidir ou le remplacer par un bloc-piles froid.
	PROBLÈME DE GRIPPAGE/ENRAYAGE Tourner le levier de désenrayage pour libérer le blocage. Se reporter à la section Désenrayage. Consultez Levier de libération du blocage sans outils ou Retirer une agrafe bloquée .
	OUTIL CHAUD (Les deux DEL clignotent) Laisser l'outil refroidir avant de continuer son utilisation.

 ou toute autre combinaison.	ERREUR Réinitialiser l'outil en retirant puis réinsérant le bloc-piles ou en activant/désactivant le verrouillage de gâchette. Si le code d'erreur persiste, ramener l'outil chez un centre de réparation agréé DEWALT.
---	---

Levier de libération du blocage sans outils (Fig. L)

Si l'agrafeuse est utilisée dans un matériau plus dur dans lequel toute l'énergie disponible du mandrin est épuisée lors de l'enfoncement d'une fixation, l'outil peut se bloquer. Le mandrin n'a pas complété son cycle d'enfoncement et l'indicateur de bourrage/blocage clignotera. Faites pivoter le levier de libération du blocage sans outils **8** sur l'outil et le mécanisme sera libéré.

REMARQUE : L'outil se désactivera et ne se réinitialisera pas jusqu'à ce que le bloc-piles soit retiré et réinséré. Si le mandrin ne revient pas automatiquement à sa position de départ, suivez la procédure du **Retirer une agrafe bloquée**. Si l'outil continue de s'arrêter, vérifiez la densité du matériau et la longueur des fixations pour faire correspondre les deux. L'agrafeuse pourrait aussi être surchauffée et elle devra être refroidie avant de la réutiliser.



Retirer une agrafe bloquée (Fig. A, M)

AVERTISSEMENT : pour réduire le risque de blessures, éteindre l'appareil et le débrancher avant d'installer ou de retirer tout accessoire et avant d'effectuer des réglages ou des réparations. Un démarrage accidentel peut provoquer des blessures.

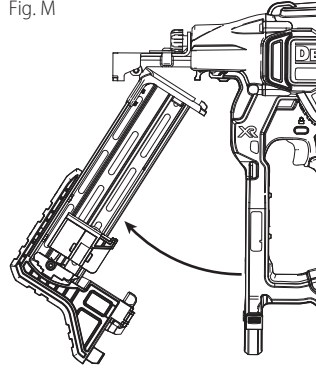
ATTENTION : lorsque vous retirez une agrafe obstruée, NE PAS orienter l'agrafeuse avec le nez vers le haut ou avec le pied de la pile vers le haut. Placer l'agrafeuse de cette façon rend l'agrafe obstruée ou les morceaux de l'agrafe plus susceptibles de pénétrer dans l'agrafeuse. Si une partie de l'agrafe est prise dans l'outil, l'agrafe doit être retirée en enlevant le capuchon supérieur.

Si une agrafe se bloque dans l'embout, ne dirigez pas l'outil vers vous et suivez ces instructions pour la retirer :

1. Retirez le bloc-piles **14** de l'outil et enclenchez le verrouillage de gâchette **2**.

2. Après avoir déposé l'outil sur le côté, glissez le verrou du pousoir à ressort **12** à la base du magasin pour le verrouiller en place et décharger la bande d'agrafes.
3. Faites pivoter le levier de déverrouillage du chargeur **11** puis le chargeur **10** vers l'avant.

Fig. M



4. Retirez l'agrafe bloquée/pliée, à l'aide de pinces au besoin.

ATTENTION : Si une partie de l'agrafe est prise dans l'outil, l'agrafe doit être retirée en enlevant le capuchon supérieur.

5. Si le mandrin est en position basse, tournez le levier de libération du blocage au-dessus de l'agrafeuse.
REMARQUE : si la lame de l'enfonceur ne se réinitialise pas après avoir fait tourner le levier de désenrayage, il pourra s'avérer nécessaire de réinitialiser manuellement la lame avec un long tournevis.
6. Retournez le chargeur sur sa position initiale, sous le nez de l'outil puis refermez son levier de déverrouillage.
7. Réinsérez le bloc-piles
REMARQUE : l'outil cessera de fonctionner tout seul et ne se réinitialisera pas tant que le bloc-piles ne sera pas retiré puis réinséré.
8. Réinsérez les agrafes dans le chargeur (consultez **Chargement de l'outil**).
9. Libérez le verrou à glissière.
10. Dégagez le verrou de la gâchette lorsque vous êtes prêt à poursuivre l'agrafage.

REMARQUE : Si les agrafes se bloquent fréquemment ou si le mandrin ne parvient pas à se réinitialiser, faites réparer l'outil par un centre de services DEWALT autorisé.

Utilisation par temps froids

Lorsqu'on utilise l'outil à des températures en dessous de zéro :

1. Maintenez l'outil au chaud autant que possible avant utilisation.
2. Faites fonctionner l'outil 10–15 fois dans un rebut de bois avant utilisation.

Utilisation par temps chauds

L'outil devrait fonctionner normalement. Cependant, maintenez l'outil à l'abri de la lumière directe du soleil, car toute chaleur excessive pourra détériorer les pare-chocs et

FRANÇAIS

toute autre pièce en caoutchouc, ce qui augmenterait ses besoins de maintenance.

MAINTENANCE

AVERTISSEMENT : pour réduire le risque de blessures graves, éteindre l'outil et retirer le bloc-piles avant d'effectuer tout réglage et d'enlever ou d'installer tout accessoire. Un démarrage accidentel peut provoquer des blessures.

TABLEAU DE MAINTENANCE QUOTIDIENNE

ACTION	Nettoyer le chargeur, le poussoir et le mécanisme de déclenchement par contact.
POURQUOI	Permet un fonctionnement en souplesse du chargeur, réduit l'usure et prévient les coincements.
COMMENT LE FAIRE	Envoyer de l'air comprimé dans l'outil est le moyen le plus efficace de le nettoyer. L'utilisation périodique d'huiles, de lubrifiants ou de solvants n'est pas recommandée, car ils tendent à attirer des débris et/ou endommager les pièces en plastique de l'outil.
ACTION	Avant chaque utilisation, vérifiez que toutes les vis et attaches sont bien serrées et pas endommagées.
POURQUOI	Pour prévenir l'enrayage et la dégradation prématurée des pièces de l'outil.
COMMENT LE FAIRE	Resserrez les vis desserrées à l'aide de la clé hexagonale ou d'un tournevis approprié.

Nettoyage

AVERTISSEMENT : enlever les saletés et la poussière hors des événements au moyen d'air comprimé propre et sec, au moins une fois par semaine. Pour minimiser le risque de blessure aux yeux, toujours porter une protection oculaire conforme à la norme ANSI Z87.1 lors du nettoyage.

AVERTISSEMENT : NE JAMAIS utiliser de solvants ni d'autres produits chimiques puissants pour nettoyer les pièces non métalliques de l'outil. Ces produits chimiques peuvent affaiblir les matériaux de plastique utilisés dans ces pièces. Utiliser un chiffon humecté uniquement d'eau et de savon doux. Ne jamais laisser de liquide pénétrer dans l'outil et n'immerger aucune partie de l'outil dans un liquide.

Graissage

AVIS : NE JAMAIS pulvériser ou appliquer un lubrifiant ou des solvants pour le nettoyage, d'une façon ou d'une autre, à l'intérieur de l'outil. Cette



pratique peut nuire à la durée de vie et au rendement de l'outil.

Les outils DEWALT sont correctement graissés en usine et sont prêts à l'emploi. Toutefois, il est conseillé de ramener ou d'envoyer l'outil, une fois par année, à un centre de réparation pour un nettoyage complet et une inspection approfondie.

Accessoires

AVERTISSEMENT : puisque les accessoires autres que ceux offerts par DEWALT n'ont pas été testés avec ce produit, leur utilisation pourrait s'avérer dangereuse. Pour réduire le risque de blessures, utiliser exclusivement les accessoires DEWALT recommandés avec le présent produit.

Kit de remplacement de la lame de l'enfonceur DCFS9501

Kit de remplacement de lame de l'enfonceur DCFS9501 (Fig. N-P)

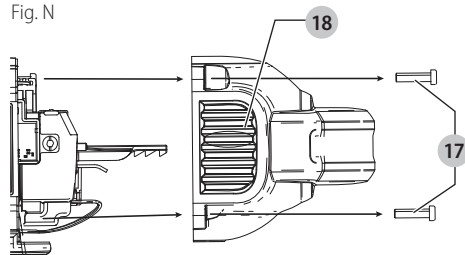
AVERTISSEMENT : pour votre sécurité, lire le manuel de l'utilisateur respectif à l'outil avant l'utilisation de tout accessoire. Tout manquement à ces avertissements augmente les risques de dommages corporels graves, et les risques d'endommager sérieusement l'appareil et ses accessoires. Lors de la maintenance de cet outil, n'utiliser que des pièces de rechange identiques.

AVIS : toutes les pièces du kit de remplacement du déclencheur sont illustrées pour ajout de fonctionnalité et vérification d'inclusion.

Pour changer un déclencheur usagé :

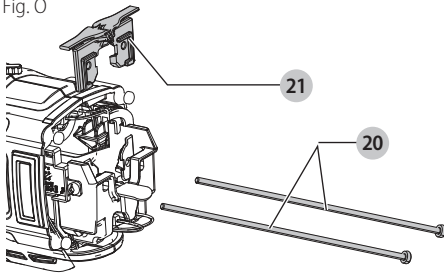
1. À l'aide d'un embout Torx T-20, dévissez les quatre vis **17** de chaque côté de l'outil. Reportez-vous à la Figure N.
2. Retirez les quatre vis. Reportez-vous à la Figure N.
3. Retirez le capot du boîtier **18**. Reportez-vous à la Figure N.

Fig. N



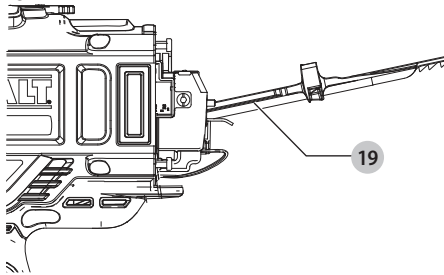
4. Poussez vers le haut l'arrière de l'enfonceur **19** jusqu'à ce que vous entendiez un clic, puis poussez l'enfonceur en avant tout en le maintenant dans cette position jusqu'à ce qu'il passe de l'autre côté du dispositif supérieur de butée. Reportez-vous à la Figure P.
5. Retirez les tiges de guide **20**. Reportez-vous à la Figure O.
6. Retirez le dispositif supérieur de butée **21**. Reportez-vous à la Figure O.

Fig. O



7. Inclinez l'arrière de l'enfonceur pour le retirer complètement. Reportez-vous à la Figure P.
8. Réinstallez l'enfonceur en suivant ce processus en sens inverse.
9. Assurez-vous que le nouvel enfonceur se déplace aisément dans le pistolet avant de réassembler le tout.

Fig. P



10. Remettez le mandrin, les tiges du guide, les butoirs et le capuchon de l'extrémité du boîtier sur l'outil. Il est important de vérifier l'alignement de l'enfonceur et du volant moteur avant de revisser le capot du boîtier sur l'outil. Cela peut être effectué en connectant un bloc-piles et en poussant puis relâchant le nez de l'appareil contre un établi ou une surface dure. Cela devrait faire tourner le moteur.

REMARQUE : lorsque l'enfonceur et le volant moteur sont correctement alignés, on remarquera que la vitesse de plein régime du moteur tombera. Lorsque l'enfonceur et le volant moteur ne sont pas correctement alignés, il se pourra que le moteur ne démarre pas, ou qu'il ralentisse anormalement et que l'appareil émette un fort grincement. Dans cette éventualité, retirez puis réinstallez l'enfonceur, en vous assurant que les butées sont correctement installées.

AVERTISSEMENT : testez toujours l'outil en tirant des agrafes 38 mm (1-1/2 po) dans le réglage de puissance 1 dans des débris pour assurer que l'outil est fonctionne bien. Dans le cas contraire, contacter immédiatement un centre de réparation DEWALT agréé.

Les accessoires recommandés pour cet outil sont vendus séparément au centre de service de votre région. Pour obtenir de l'aide concernant l'achat d'un accessoire, communiquer avec DEWALT Industrial Tool Co., 701 East Joppa Road, Towson, MD 21286 aux États-Unis; composer le 1 800 433-9258 (1 800 4-DEWALT) ou visiter notre site Web : www.DEWALT.com.

Réparations

Le chargeur et le bloc-piles ne sont pas réparables.



AVERTISSEMENT : pour assurer la SÉCURITÉ et la FIABILITÉ du produit, les réparations, l'entretien et les réglages doivent être réalisés (cela comprend l'inspection et le remplacement du balai) par un centre de réparation en usine DEWALT ou un centre de réparation agréé DEWALT. Toujours utiliser des pièces de rechange identiques.

Registre en ligne

Merci pour votre achat. Enregistrez dès maintenant votre produit :

- **RÉPARATIONS SOUS GARANTIE:** cette carte remplie vous permettra de vous prévaloir du service de réparations sous garantie de façon plus efficace dans le cas d'un problème avec le produit.
- **CONFIRMATION DE PROPRIÉTÉ:** en cas de perte provoquée par un incendie, une inondation ou un vol, cette preuve de propriété vous servira de preuve auprès de votre compagnie d'assurances.
- **SÉCURITÉ:** l'enregistrement de votre produit nous permettra de communiquer avec vous dans l'éventualité peu probable de l'envoi d'un avis de sécurité régi par la loi fédérale américaine de la protection des consommateurs.

Registre en ligne à www.dewalt.com/register.

Garantie limitée de trois ans

DEWALT réparera, sans frais, tout produit défectueux causé par un défaut de matériel ou de fabrication pour une période de trois ans à compter de la date d'achat. La présente garantie ne couvre pas les pièces dont la défectuosité a été causée par une usure normale ou l'usage abusif de l'outil. Pour obtenir de plus amples renseignements sur les pièces ou les réparations couvertes par la présente garantie, visiter le site www.dewalt.com ou composer le 1 800 433-9258 (1 800 4-DEWALT). CETTE GARANTIE LIMITÉE REMPLACE TOUTE AUTRE GARANTIE, Y COMPRIS TOUTE GARANTIE IMPLICITE DE QUALITÉ MARCHANDE OU DE CONFORMITÉ À DES FINS PARTICULIÈRES, ET EXCLUT TOUT DOMMAGE ACCESSOIRE OU INDIRECT. Certains états n'autorisent aucune limitation quant à la durée d'une garantie implicite ni aucune exclusion ou limitation de garantie contre tout préjudice accessoire ou indirect, aussi il se peut que ces exclusions ne vous soient pas applicables. Cette garantie confère des droits légaux particuliers à l'acheteur, mais celui-ci pourrait aussi bénéficier d'autres droits variant d'un territoire à l'autre.

En plus de la présente garantie, les outils DEWALT sont couverts par notre :

CONTRAT D'ENTRETIEN GRATUIT D'UN AN

DEWALT maintiendra gratuitement l'outil et remplacera gratuitement toute pièce usagée suite à une utilisation normale au cours de toute l'année suivant la date d'achat. Les éléments usés du cloueur tels les ressorts de rappel, lames d'enfonceur et pare-chocs ne sont pas couverts.

FRANÇAIS

CONTRAT D'ENTRETIEN GRATUIT DE DEUX ANS SUR LES BLOC-PILES DeWALT

DC9071, DC9091, DC9096, DC9182, DC9280, DC9360, DCB120, DCB127, DCB201, DCB203BT, DCB207, DCB361

CONTRAT D'ENTRETIEN GRATUIT DE TROIS ANS SUR LES BLOC-PILES DeWALT

DCB200, DCB203, DCB204, DCB204BT, DCB205, DCB205BT, DCB206, DCB230, DCB606, DCB609, DCB612

REMARQUE : La garantie de se produit sera annulée si le bloc-piles a été altéré de quelque façon que ce soit. DeWALT ne peut être tenu responsable de tout dommage corporel causé par l'altération du produit et pourra poursuivre toute fraude en matière de garantie dans toute l'étendue permise par la loi.

GARANTIE DE REMBOURSEMENT DE 90 JOURS

Si vous n'êtes pas entièrement satisfait de la performance de votre outil motorisé, à laser ou de votre agrafeuse DeWALT, vous pouvez le retourner en moins de 90 jours de la date d'achat avec une preuve d'achat pour un remboursement complet, sans aucune raison à fournir.

AMÉRIQUE LATINE : cette garantie ne s'applique aux produits vendus en Amérique latine. Pour ceux-ci, veuillez consulter les informations relatives à la garantie spécifique présente dans l'emballage, appeler l'entreprise locale ou consulter le site Web pour les informations relatives à cette garantie.

REPLACEMENT GRATUIT DES ÉTIQUETTES

D'AVERTISSEMENT : si les étiquettes d'avertissement deviennent illisibles ou sont manquantes, composer le 1 800 433-9258 (1 800 4-DeWALT) pour en obtenir le remplacement gratuit.

GUIDE DE DÉPANNAGE

De nombreux problèmes courants peuvent être résolus facilement à l'aide du tableau ci-dessous. Pour des problèmes plus sérieux ou persistants, veuillez contacter un centre de réparation DeWALT ou appeler le 1-(800)-4-DeWALT.



AVERTISSEMENT : pour réduire tout risque de dommages corporels graves, déconnecter SYSTÉMATIQUEMENT le bloc-piles de l'outil avant toute réparation.

SYMPTÔME	CAUSE	SOLUTION
Le moteur refuse de fonctionner alors que le déclencheur par contact est appuyé.	Verrouillage de gâchette en position verrouillée.	Déverrouiller le verrouillage de gâchette.
	Mécanisme de prévention des déclenchements à vide activé, bloquant la course du déclencheur par contact.	Chargez plus d'agrafes dans le magasin.
	L'outil cale, empêchant le moteur de tourner.	Tourner le levier de désenrayage de l'outil et le mécanisme sera libéré. Si l'enfonceur ne retourne pas à sa place, retirer le bloc-piles et repousser manuellement l'enfonceur sur sa position de base.
	Bloc-piles chaud (vérifier le voyant DEL pour constater cette condition).	Laisser le bloc-piles refroidir ou le remplacer par un bloc-piles froid.
	Outil chaud (vérifier le voyant DEL pour constater cette condition).	Laisser l'outil refroidir avant de continuer son utilisation.
	Déclencheur par contact voilé.	Voir un centre de réparation agréé.
	Le moteur cesse de tourner au bout de 5 secondes.	Pour une utilisation normale, libérer le déclencheur par contact puis réappuyer.
	Bornes sales ou endommagées.	Voir un centre de réparation agréé.
	Électronique interne endommagée.	Voir un centre de réparation agréé.
L'outil ne fonctionne pas (le moteur tourne, mais ne déclenche pas).	Gâchette endommagée.	Voir un centre de réparation agréé.
	Charge du bloc-pile faible ou bloc-piles endommagé.	Vérifier le niveau de charge si le bloc-piles peut afficher son état de charge. Charger ou remplacer le bloc-piles le cas échéant.
	Le verrouillage de tir à vide s'enclenche avec seulement 5 agrafes restantes demeurant dans le magasin.	Chargez plus d'agrafes dans le magasin pour dégager le verrouillage de tir à vide.
	Agrafe bloquée/lame d'entraînement non retournée à sa position initiale.	Retirez la pile, enlevez l'agrafe bloquée, réenclenchez le levier de libération du blocage (poussez manuellement le mandrin vers le haut au besoin), réinsérez le bloc-piles.
	Enfonceur endommagé.	Remplacer l'enfonceur avec le kit de remplacement ou voir un centre de réparation agréé.
	Mécanisme interne enrayé.	Voir un centre de réparation agréé.
Électronique interne endommagée.	Voir un centre de réparation agréé.	

SYMPTÔME	CAUSE	SOLUTION
Le moteur démarre, mais génère beaucoup de bruit.	L'agrafe est bloquée et le mandrin est coincé en position basse.	Utilisez le levier de libération du blocage, retirez toute agrafe bloquée et retournez manuellement le mandrin au besoin.
	Enfonceur endommagé.	Remplacer l'enfonceur avec le kit de remplacement ou voir un centre de réparation agréé.
La lame de l'enfonceur reste continuellement bloquée en position inférieure ou ne se déplace pas librement.	L'agrafe est bloquée et le mandrin est coincé en position basse.	Utilisez le levier de libération du blocage, retirez toute agrafe bloquée et retournez manuellement le mandrin au besoin.
	Débris dans le nez.	Nettoyez la zone de l'embout et observez bien les petites pièces d'agrafes brisées prises dans la coulisse. Consultez Retirer une agrafe bloquée.
	Enfonceur endommagé ou usé	Remplacer l'enfonceur avec le kit de remplacement ou voir un centre de réparation agréé.
L'outil fonctionne, mais n'enfonce pas les attaches complètement.	Réglage de puissance inadéquat.	Sélectionnez le réglage de puissance plus élevé.
	Réglage d'ajustement de la profondeur incorrect.	Ajustez le cadran d'ajustement de la profondeur sans outils.
	L'outil n'est pas assez fermement maintenu contre la pièce.	Appliquer la force adéquate sur l'outil pour maintenir fermement la pièce (se reporter au guide d'utilisation).
	Matériau et longueur des attaches.	Si l'appareil continue de caler (forçant l'activation manuelle du levier de désenrayage), choisir le matériau et les clous adéquats de façon à ce que l'application ne soit pas trop intensive.
	Embout de l'enfonceur endommagé ou usé.	Remplacer l'enfonceur avec le kit de remplacement ou voir un centre de réparation agréé.
	Mécanisme de déclenchement endommagé.	Voir un centre de réparation agréé.
L'outil fonctionne, mais aucune attache n'est enfoncée.	Débris dans le nez.	Nettoyez la zone de l'embout et observez bien les petites pièces d'agrafes brisées prises dans la coulisse.
	Débris dans le chargeur.	Nettoyer le chargeur.
	Ressort du poussoir endommagé.	Remplacer le ressort. Voir un centre de réparation agréé.
	Chargeur usé.	Remplacer le chargeur. Voir un centre de réparation agréé.
	Enfonceur endommagé ou usé.	Remplacer l'enfonceur avec le kit de remplacement ou voir un centre de réparation agréé.
Agrafes bloquées	Incorrect agrafes	Utilisez seulement les agrafes recommandées. Consultez Caractéristiques des agrafes.
	Chargeur non verrouillé après désenrayage/inspection	Vérifier que le chargeur est verrouillé correctement.
	Matériau et longueur des attaches	Si l'appareil continue de caler (forçant l'activation manuelle du levier de désenrayage), choisir le matériau et les clous adéquats de façon à ce que l'application ne soit pas trop intensive.
	Débris dans le nez	Nettoyez la zone de l'embout et observez bien les petites pièces d'agrafes brisées prises dans la coulisse.
	Chargeur usé	Remplacer le chargeur. Voir un centre de réparation agréé.
	L'outil n'est pas encore rodé	Les nouveaux outils peuvent prendre 100 à 500 pour que les pièces s'engrènent et s'usent ensemble. Enfoncez des agrafes courtes durant cette période si vous avez de la difficulté à enfoncer entièrement les agrafes.
Les agrafes ne conviennent pas	Assurez-vous d'utiliser des agrafes DEWALT.	Votre agrafeuse pour clôtures est seulement compatible avec les agrafes DEWALT.
L'agrafe s'enfonce trop profondément	Le réglage de puissance est trop élevé.	Sélectionnez le réglage de puissance plus bas.
	Réglage d'ajustement de la profondeur incorrect.	Ajustez le cadran d'ajustement de la profondeur sans outils.
L'agrafe plie	L'agrafe frappe un nœud dans le bois.	Déplacez de 3 po (76 mm) et réessayez.

Definiciones: Símbolos y palabras de alerta de seguridad

Este manual de instrucciones utiliza los siguientes símbolos y palabras de alerta de seguridad para alertarle de situaciones peligrosas y del riesgo de lesiones corporales o daños materiales.

! **PELIGRO:** Indica una situación de peligro inminente que, si no se evita, provocará **la muerte o lesiones graves**.

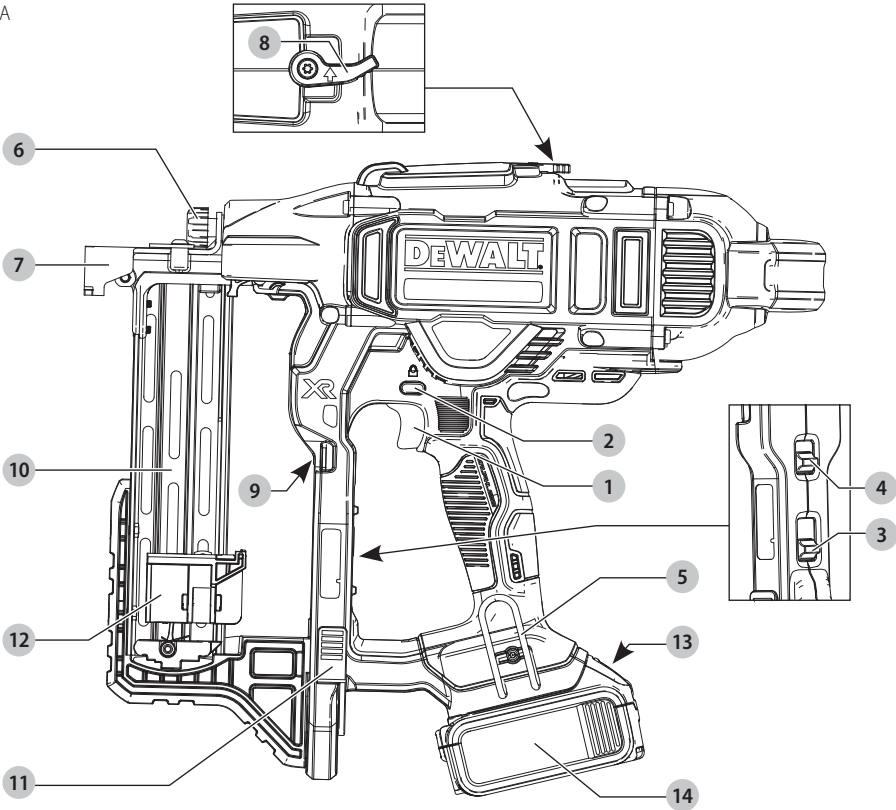
! **ADVERTENCIA:** Indica una situación de peligro potencial que, si no se evita, **podría** provocar **la muerte o lesiones graves**.

! **ATENCIÓN:** Indica una situación de peligro potencial que, si no se evita, **posiblemente** provocaría **lesiones leves o moderadas**.

! (Utilizado sin palabras) indica un mensaje de seguridad relacionado.

AVISO: Se refiere a una práctica **no relacionada a lesiones corporales** que de no evitarse **puede** resultar en **daños a la propiedad**.

Fig. A



- | | |
|--|--|
| 1 Gatillo | 8 Liberación de ahogamiento sin herramientas |
| 2 Bloqueo de gatillo | 9 Luces de trabajo LED (x2) |
| 3 Selección de energía sin herramientas | 10 Cartucho |
| 4 Selección de modo sin herramientas | 11 Liberación de cargador |
| 5 Gancho utilitario | 12 Palanca de empuje |
| 6 Ajuste de profundidad sin herramientas | 13 Botón de liberación de batería |
| 7 Tope de contacto | 14 Batería |

! **¡ADVERTENCIA!** Lea todas las advertencias de seguridad e instrucciones. El incumplimiento de las advertencias e instrucciones puede provocar descargas eléctricas, incendios o lesiones graves.

! **ADVERTENCIA:** Para reducir el riesgo de lesiones, lea el manual de instrucciones.

Si tiene alguna duda o algún comentario sobre ésta u otra herramienta DeWalt, llámenos al número gratuito: 1-800-4-DeWalt (1-800-433-9258).

ADVERTENCIAS GENERALES DE SEGURIDAD PARA HERRAMIENTAS ELÉCTRICAS



ADVERTENCIA: Lea todas las advertencias de seguridad, instrucciones, ilustraciones y especificaciones incluidas con esta herramienta eléctrica. La falla en seguir todas las instrucciones siguientes puede resultar en descarga eléctrica, incendio y/o lesiones serias.

CONSERVE TODAS LAS ADVERTENCIAS E INSTRUCCIONES PARA FUTURAS CONSULTAS

El término "herramienta eléctrica" incluido en las advertencias hace referencia a las herramientas eléctricas operadas con corriente (con cable eléctrico) o a las herramientas eléctricas operadas con baterías (inalámbricas).

1) Seguridad en el Área de Trabajo

- Mantenga el área de trabajo limpia y bien iluminada.** Las áreas abarrotadas y oscuras propician accidentes.
- No opere las herramientas eléctricas en atmósferas explosivas, como ambientes donde haya polvo, gases o líquidos inflamables.** Las herramientas eléctricas originan chispas que pueden encender el polvo o los vapores.
- Mantenga alejados a los niños y a los espectadores de la herramienta eléctrica en funcionamiento.** Las distracciones pueden provocar la pérdida de control.

2) Seguridad Eléctrica

- Los enchufes de la herramienta eléctrica deben adaptarse al tomacorriente. Nunca modifique el enchufe de ninguna manera. No utilice ningún enchufe adaptador con herramientas eléctricas con conexión a tierra.** Los enchufes no modificados y que se adaptan a los tomacorrientes reducirán el riesgo de descarga eléctrica.
- Evite el contacto corporal con superficies con descargas a tierra como, por ejemplo, tuberías, radiadores, cocinas eléctricas y refrigeradores.** Existe mayor riesgo de descarga eléctrica si su cuerpo está puesto a tierra.
- No exponga las herramientas eléctricas a la lluvia o a condiciones de humedad.** Si entra agua a una herramienta eléctrica, aumentará el riesgo de descarga eléctrica.
- No maltrate el cable. Nunca utilice el cable para transportar, tirar o desenchufar la herramienta eléctrica. Mantenga el cable alejado del calor, el aceite, los bordes filosos y las piezas móviles.** Los cables dañados o enredados aumentan el riesgo de descarga eléctrica.
- Al operar una herramienta eléctrica en el exterior, utilice un cable prolongador adecuado para tal uso.** Utilice un cable adecuado para uso en exteriores a fin de reducir el riesgo de descarga eléctrica.

- Si el uso de una herramienta eléctrica en un lugar húmedo es imposible de evitar, utilice un suministro protegido con un interruptor de circuito por falla a tierra (GFCI).** El uso de un GFCI reduce el riesgo de descargas eléctricas.

3) Seguridad Personal

- Permanezca alerta, controle lo que está haciendo y utilice el sentido común cuando emplee una herramienta eléctrica. No utilice una herramienta eléctrica si está cansado o bajo el efecto de drogas, alcohol o medicamentos.** Un momento de descuido mientras se opera una herramienta eléctrica puede provocar lesiones personales graves.
- Utilice equipos de protección personal. Siempre utilice protección para los ojos.** En las condiciones adecuadas, el uso de equipos de protección, como máscaras para polvo, calzado de seguridad antideslizante, cascos o protección auditiva, reducirá las lesiones personales.
- Evite el encendido por accidente. Asegúrese de que el interruptor esté en la posición de apagado antes de conectarlo a la fuente de energía o paquete de baterías, o antes de levantar o transportar la herramienta.** Transportar herramientas eléctricas con el dedo apoyado en el interruptor o enchufar herramientas eléctricas con el interruptor en la posición de encendido puede propiciar accidentes.
- Retire la clavija de ajuste o la llave de tuercas antes de encender la herramienta eléctrica.** Una llave de tuercas o una clavija de ajuste que quede conectada a una pieza giratoria de la herramienta eléctrica puede provocar lesiones personales.
- No se estire. Conserve el equilibrio y párese adecuadamente en todo momento.** Esto permite un mejor control de la herramienta eléctrica en situaciones inesperadas.
- Use la vestimenta adecuada. No use ropas holgadas ni joyas. Mantenga el cabello, la ropa y los guantes alejados de las piezas en movimiento.** Las ropas holgadas, las joyas o el cabello largo pueden quedar atrapados en las piezas en movimiento.
- Si se suministran dispositivos para la conexión de accesorios con fines de recolección y extracción de polvo, asegúrese de que estén conectados y que se utilicen correctamente.** El uso de dispositivos de recolección de polvo puede reducir los peligros relacionados con el polvo.
- No permita que la familiaridad obtenida a partir del uso frecuente de herramientas le permitan volverse descuidado e ignorar los principios de seguridad de la herramienta.** Una acción descuidada puede causar lesiones severas en una fracción de segundo.

4) Uso y Mantenimiento de la Herramienta Eléctrica

- a) **No fuerce la herramienta eléctrica. Utilice la herramienta eléctrica correcta para el trabajo que realizará.** Si se la utiliza a la velocidad para la que fue diseñada, la herramienta eléctrica correcta permite trabajar mejor y de manera más segura.
- b) **No utilice la herramienta eléctrica si no puede encenderla o apagarla con el interruptor.** Toda herramienta eléctrica que no pueda ser controlada mediante el interruptor es peligrosa y debe repararse.
- c) **Desconecte el enchufe de la fuente de alimentación y/o retire la batería, o paquete si es desmontable, de la herramienta eléctrica antes de realizar cualquier ajuste, cambiar accesorios o almacenar herramientas eléctricas.** Estas medidas de seguridad preventivas reducen el riesgo de encender la herramienta eléctrica en forma accidental.
- d) **Guarde la herramienta eléctrica que no esté en uso fuera del alcance de los niños y no permita que otras personas no familiarizadas con ella o con estas instrucciones operen la herramienta.** Las herramientas eléctricas son peligrosas si son operadas por usuarios no capacitados.
- e) **Dé mantenimiento a las herramientas eléctricas y accesorios. Revise que no haya piezas en movimiento mal alineadas o trabadas, piezas rotas o cualquier otra situación que pueda afectar el funcionamiento de la herramienta eléctrica. Si encuentra daños, haga reparar la herramienta eléctrica antes de utilizarla.** Se producen muchos accidentes a causa de las herramientas eléctricas que carecen de un mantenimiento adecuado.
- f) **Mantenga las herramientas de corte afiladas y limpias.** Las herramientas de corte con mantenimiento adecuado y con los bordes de corte afilados son menos propensas a trabarse y son más fáciles de controlar.
- g) **Utilice la herramienta eléctrica, los accesorios y las brocas de la herramienta, etc. de acuerdo con estas instrucciones y teniendo en cuenta las condiciones de trabajo y el trabajo que debe realizarse.** El uso de la herramienta eléctrica para operaciones diferentes de aquéllas para las que fue diseñada podría originar una situación peligrosa.
- h) **Mantenga las manijas y superficies de sujeción secas, limpias y libres de aceite y grasa.** Las manijas y superficies de sujeción resbalosas no permiten el manejo y control seguros de la herramienta en situaciones inesperadas.

5) Uso y Mantenimiento de la Herramienta con Baterías

- a) **Recargue solamente con el cargador especificado por el fabricante.** Un cargador adecuado para un tipo de paquete de baterías puede

originar riesgo de incendio si se utiliza con otro paquete de baterías.

- b) **Utilice herramientas eléctricas sólo con paquetes de baterías específicamente diseñados.** El uso de cualquier otro paquete de baterías puede producir riesgo de incendio y lesiones.
- c) **Cuando no utilice el paquete de baterías, manténgalo lejos de otros objetos metálicos como sujetapapeles, monedas, llaves, clavos, tornillos u otros objetos metálicos pequeños que puedan realizar una conexión desde un terminal al otro.** Los cortocircuitos en los terminales de la batería pueden provocar quemaduras o incendio.
- d) **En condiciones abusivas, el líquido puede ser expulsado de la batería. Evite su contacto. Si entra en contacto accidentalmente, enjuague con agua. Si el líquido entra en contacto con los ojos, busque atención médica.** El líquido expulsado de la batería puede provocar irritación o quemaduras.
- e) **No use un paquete de batería o herramienta que estén dañados o modificados.** Las baterías dañadas o modificadas pueden presentar un comportamiento impredecible que resulte en incendios, explosión o riesgo de lesiones."
- f) **No exponga un paquete de batería o una herramienta a fuego o temperatura excesiva.** La exposición a fuego o temperaturas mayores a 130 °C (265 °F) pueden causar una explosión."
- g) **Siga todas las instrucciones de carga y no cargue el paquete de batería o la herramienta fuera del rango de temperatura especificado en las instrucciones.** Cargar inadecuadamente o en una temperatura fuera del rango de temperatura especificado puede dañar la batería e incrementar el riesgo de incendio.

6) Mantenimiento

- a) **Solicite a una persona calificada en reparaciones que realice el mantenimiento de su herramienta eléctrica y que sólo utilice piezas de repuesto idénticas.** Esto garantizará la seguridad de la herramienta eléctrica.
- b) **Nunca dé servicio a paquetes de batería dañados.** El servicio de paquetes de batería sólo debe ser realizado por el fabricante o proveedores de servicio autorizados.

Advertencias de seguridad de engrapadora

- **Siempre suponga que la herramienta contiene sujetadores.** El manejo descuidado de la engrapadora puede provocar el disparo inesperado de sujetadores y lesiones personales.
- **No apunte la herramienta hacia sí mismo ni hacia nadie que esté cerca.** El disparo inesperado podría descargar un clavo y causará una herida.
- **No ponga en funcionamiento la herramienta a menos que esté colocada firmemente contra la pieza**

de trabajo. Si la herramienta no está en contacto con la pieza de trabajo, el clavo puede desviarse de su objetivo.

- **Desconecte la herramienta de la fuente de alimentación cuando se atasque el clavo en la herramienta.** Mientras retira un sujetador atorado, la engrapadora se puede activar accidentalmente si está conectada.
- **No use esta engrapadora para sujetar cables eléctricos.** No está diseñada para la instalación de cables eléctricos y puede dañar el aislamiento de los cables eléctricos y causar una descarga eléctrica o peligros de incendio.
- **Nunca opere la herramienta con el cartucho desconectado o separado de la herramienta.**

Advertencias de seguridad adicionales de engrapadora



ADVERTENCIA: Al usar cualquier engrapadora, se deben seguir todas las precauciones de seguridad, como se describe a continuación, para evitar el riesgo de muerte o lesiones graves. Lea y comprenda todas las instrucciones antes de emplear la herramienta.

- **Mantenga las manos y partes del cuerpo alejadas del área de descarga de la herramienta.** Mientras esté en uso NUNCA sujete la herramienta por el cargador o depósito, una grapa insertada incorrectamente puede salir de la punta causando lesiones.
- **Sostenga la herramienta por las superficies de sujeción aisladas cuando realice una operación en la que la grapa pueda tener contacto con cableado oculto.** El contacto con un cable con corriente eléctrica hará que las partes expuestas de la herramienta tengan corriente y que el operador reciba una descarga eléctrica.
- **Siempre utilice la protección auditiva apropiada mientras usa la herramienta.** En ciertas circunstancias y según el período de uso, el ruido de este producto puede contribuir a la pérdida de audición.
- **Desconecte la batería de la herramienta cuando no esté usándola.** Saque siempre la batería y saque los clavos del cargador antes de marcharse de la zona o de pasarle la herramienta a otro operador. No lleve la herramienta a otra zona de trabajo con la batería conectada cuando tenga que usar andamios, escaleras, escaleras de mano, etc. para llegar a la nueva zona de trabajo. No realice ajustes y mantenimiento o desatasque clavos cuando la batería esté en su sitio.
- **Use siempre el botón de bloqueo del gatillo cuando la herramienta no vaya a usarse inmediatamente.** El usar el botón de bloqueo del gatillo evitará una descarga accidental.
- **No saque, altere o provoque de otro modo que la herramienta, el gatillo o el botón de bloqueo del gatillo dejen de funcionar.** No ate ni fije con cinta adhesiva el gatillo en la posición de encendido. No saque el muelle del activador por contacto. Haga inspecciones diarias para el movimiento libre del gatillo. Se puede producir una descarga descontrolada.

- **Inspeccione la herramienta antes de utilizarla. No utilice la herramienta si cualquier parte de la misma, el gatillo o el botón de bloqueo del gatillo han dejado de funcionar, están desconectados, alterados o no funcionan bien.** Las piezas dañadas o que falten deben ser reparadas o cambiadas antes de usar la herramienta. Consulte la sección **Reparaciones**.
- **No altere o modifique la herramienta de ninguna manera.**
- **Suponga siempre que la herramienta contiene clavos.**
- **No apunte en ningún momento con la herramienta a ningún compañero ni a usted mismo.** No juegue con la herramienta. Trabaje con seguridad. Considere que la herramienta es un utensilio de trabajo.
- **Mientras opere una herramienta eléctrica, mantenga lejos a los observadores, niños y visitantes.** Las distracciones pueden ocasionar que pierda el control. Cuando no use la herramienta, guárdela bajo llave en un lugar seguro, fuera del alcance de los niños.
- **No estire el cuerpo demasiado.** Manténgase siempre bien apoyado y equilibrado. La pérdida de equilibrio puede provocar lesiones corporales.
- **Use la herramienta sólo para su uso previsto. No descargue los sujetadores al aire o cualquier material demasiado duro para que la grapa penetre. No use el cuerpo de la herramienta o la tapa superior como un martillo. Las grapas descargadas pueden seguir un camino inesperado y causar lesiones.**
- **Mantenga siempre los dedos alejados del disparo de contacto para evitar lesiones por la liberación inadvertida de la grapa**
- **Consulte las secciones Mantenimiento y Reparaciones para obtener información detallada sobre el mantenimiento correcto de la herramienta.**
- **Opere siempre la herramienta en un área limpia e iluminada.** Asegúrese de que la superficie de trabajo está libre de cualquier residuo y tenga cuidado de no perder el equilibrio cuando trabaja en lugares altos, como techos.
- **Los sujetadores se deben colocar rectos dentro del material.** No incline la engrapadora mientras inserta los sujetadores. Puede resultar en lesiones personales a partir de grapas que rebotan o se atascan.
- **Mantenga las manos y otras partes del cuerpo alejadas del área de trabajo más inmediata.**



ADVERTENCIA: Para evitar lesiones mantenga siempre las manos y el cuerpo lejos del área de disparo de la herramienta.

- **No utilice la herramienta en presencia de polvo, gases o humos inflamables.** Esta herramienta produce chispas que pueden provocar la ignición de los gases o el polvo y causar una explosión. Colocar una grapa sobre otra grapa también puede provocar una chispa.
- **Mantenga la cara y las partes del cuerpo alejadas de la parte posterior de la tapa de la herramienta cuando trabaje en áreas restringidas.** El retroceso

ESPAÑOL

repentino puede provocar un impacto en el cuerpo, especialmente al engrapar en material duro o denso.

- **Sujete la herramienta con firmeza para mantener el control mientras permite que la herramienta se aleje de la superficie de trabajo mientras se acciona el sujetador.**
- **Tenga en cuenta el grosor del material cuando use la engrapadora.** Una grapa sobresaliente puede causar lesiones.
- **Permanezca alerta, concéntrese en lo que está haciendo y utilice el sentido común cuando emplee una herramienta eléctrica. No utilice la herramienta si está cansado o bajo el efecto de drogas, alcohol o medicamentos.** Un momento de descuido mientras se opera una herramienta eléctrica puede provocar lesiones personales graves.

Instrucción Adicional de Seguridad



ADVERTENCIA: Nunca modifique la herramienta eléctrica, ni tampoco ninguna de sus piezas. Podría producir lesiones corporales o daños.



ADVERTENCIA: Use **SIEMPRE** lentes de seguridad. Los anteojos de diario **NO SON** lentes de seguridad. Utilice además una cubrebocas o mascarilla antipolvo si la operación de corte genera demasiado polvo. **SIEMPRE LLEVE EQUIPO DE SEGURIDAD CERTIFICADO:**

- protección ocular ANSI Z87.1 (CAN/CSA Z94.3),
- protección auditiva ANSI S12.6 (S3.19),
- protección respiratoria NIOSH/OSHA/MSHA.



ADVERTENCIA: Algunas partículas de polvo generadas al lijar, serrar, esmerilar y taladrar con herramientas eléctricas, así como al realizar otras actividades de construcción, contienen químicos que el Estado de California sabe que pueden producir cáncer, defectos congénitos u otras afecciones reproductivas. Ejemplos de estos químicos son:

- plomo de algunas pinturas en base a plomo,
- polvo de sílice proveniente de ladrillos y cemento u otros productos de albañilería, y
- arsénico y cromo provenientes de madera tratada químicamente.

Su riesgo de exposición a estos químicos varía, dependiendo de la frecuencia con la cual realiza usted este tipo de trabajo. Para reducir su exposición a estas sustancias químicas: trabaje en una zona bien ventilada y llevando equipos de seguridad aprobados, como mascarillas antipolvo especialmente diseñadas para filtrar partículas microscópicas.

- **Evite el contacto prolongado con polvo generado por el lijado, aserrado, pulido, taladrado y otras actividades de construcción. Vista ropas protectoras y lave las áreas de la piel expuestas con agua y jabón.** Si permite que el polvo se introduzca en la boca u ojos o quede sobre la piel, puede favorecer la absorción de productos químicos peligrosos.



ADVERTENCIA: La utilización de esta herramienta puede generar polvo o dispersarlo, lo que podría causar daños graves y permanentes al sistema respiratorio, así como otras lesiones. Siempre use

protección respiratoria aprobada por NIOSH (Instituto Nacional de Seguridad y Salud en el Trabajo) u OSHA (Administración de Seguridad y Salud en el Trabajo) apropiada para la exposición al polvo. Dirija las partículas en dirección contraria a la cara y el cuerpo.













ADVERTENCIA: Siempre lleve la debida protección auditiva personal en conformidad con ANSI S12.6 (S3.19) durante el uso de esta herramienta. Bajo algunas condiciones y duraciones de uso, el ruido producido por este producto puede contribuir a la pérdida auditiva.



ATENCIÓN: Cuando no esté en uso, guarde la herramienta apoyada en un costado sobre una superficie estable, donde no interrumpa el paso o provoque una caída. Algunas herramientas con paquetes de baterías de gran tamaño pueden colocarse paradas sobre el paquete de baterías, pero pueden caerse fácilmente.

- **Los orificios de ventilación suelen cubrir piezas en movimiento, por lo que también se deben evitar.** Las piezas en movimiento pueden atrapar prendas de vestir sueltas, joyas o el cabello largo.

La etiqueta de su herramienta puede incluir los siguientes símbolos. A continuación se indican los símbolos y sus definiciones:

V	voltios		or AC/DC corriente alterna o directa
Hz	hertz	 Construcción de Clase II (doble aislamiento)
min	minutos	n_0 velocidad sin carga
— — — or DC	direct current	n velocidad nominal
	Construcción de Clase I (tierra)	 terminal de conexión a tierra
... /min	por minuto	 símbolo de advertencia de seguridad
BPM	golpes por minuto	 radiación visible
IPM	impactos por minuto	 protección respiratoria
RPM	revoluciones por minuto	 protección ocular
sfpm	pies de superficie por minuto	 protección auditiva
SPM	pasadas por minuto	 lea toda la documentación
A	amperios		
W	vatios		
 or AC	corriente alterna		

BATERÍAS Y CARGADORES

La batería no viene completamente cargada de fábrica. Antes de utilizar la batería y el cargador, lea las siguientes instrucciones de seguridad y luego siga los procedimientos de carga indicados. Cuando pida baterías de repuesto, no olvide indicar el número de catálogo y el voltaje.

Su herramienta utiliza un cargador DEWALT. Lea todas las instrucciones de seguridad antes de usar el cargador.

Consulte la tabla al final de este manual para información sobre compatibilidad entre cargadores y baterías.

LEA TODAS LAS INSTRUCCIONES

Instrucciones de Seguridad Importantes Para Todas las Unidades de Batería



ADVERTENCIA: Lea todas las advertencias de seguridad y todas las instrucciones para la batería, el cargador y la herramienta eléctrica. No seguir las advertencias y las instrucciones puede provocar una descarga eléctrica, un incendio y/o lesiones graves.

- **No cargue o use la unidad de batería en atmósferas explosivas, como en presencia de líquidos, gases o polvos inflamables.** Puede que al insertar o sacar la unidad de batería del cargador se inflamen el polvo o los gases.
- **NUNCA fuerce la unidad de batería para que entre en el cargador. NO modifique la unidad de batería en ninguna forma para que entre en un cargador no compatible, pues puede producir una ruptura en la unidad de batería y causar lesiones corporales graves.** Consulte la tabla al final de este manual para ver la compatibilidad entre baterías y cargadores.
- **Cargue las unidades de batería sólo en los cargadores designados por DEWALT.**
- **NO salpique con ni sumerja en agua u otros líquidos.**
- **No guarde ni use la herramienta y unidad de batería en lugares donde la temperatura pueda alcanzar o superar los 40 °C (104 °F), tales como cobertizos o construcciones de metal durante el verano.** Almacene las unidades de batería en lugares frescos y secos para maximizar su vida útil.
NOTA: No almacene las unidades de batería en la herramienta con el interruptor de gatillo en posición encendida fija. Nunca use cinta adhesiva para mantener el interruptor de gatillo en posición ENCENDIDA.
- **No incinere la unidad de batería, aunque esté completamente dañada o descargada. La unidad de batería puede explotar si se quema.** Cuando se queman unidades de batería de iones de litio, se producen gases y materiales tóxicos.
- **Si el contenido de la batería entra en contacto con la piel, lave el área de inmediato con agua y un jabón suave.** Si el líquido de la batería entra en contacto con sus ojos, enjuáguelos con agua y los ojos abiertos por 15 minutos o hasta que cese la irritación. Si se requiere de asistencia médica, el electrolito de la batería está compuesto por una mezcla de carbonatos orgánicos líquidos y sales de litio.
- **El contenido de los elementos abiertos de la batería puede causar irritación en el tracto respiratorio.** Salga al aire fresco. Si los síntomas persisten, busque asistencia médica.



ADVERTENCIA: Peligro de quemaduras. El líquido de la batería puede ser inflamable si se expone a chispas o llamas.



ADVERTENCIA: Peligro de incendio. Nunca intente abrir la unidad de batería por ningún motivo. Si la caja exterior de la unidad de batería se triza o daña, no la introduzca en el cargador. No triture, deje caer o dañe la unidad de batería. No use una unidad de batería o un cargador que haya sido golpeado, dejado caer, atropellado o dañado en cualquier forma (por ejemplo, perforado por un clavo, golpeado con un martillo, pisado). Lleve sus unidades de batería dañadas al centro de servicio para que sean recicladas.

Transporte

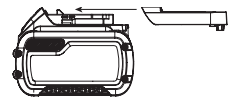


ADVERTENCIA: Peligro de incendio. No guarde o transporte la batería de forma que los terminales expuestos de la misma puedan estar en contacto con objetos metálicos. Por ejemplo, no ponga la batería en delantales, bolsillos, cajas de herramientas, estuches de productos, cajones, etc., junto con clavos, tornillos, y llaves, etc. sueltos. **El transporte de baterías puede causar incendios si sus terminales inadvertidamente entran en contacto con materiales conductores como llaves, monedas, herramientas manuales y otros por el estilo.** El Reglamento sobre Materiales Peligrosos (HMR) del Departamento de Transporte de EE.UU. prohíbe transportar baterías comercialmente o en aviones en el equipaje de mano A MENOS que estén debidamente protegidas contra cortocircuitos. Por lo tanto, cuando transporte baterías individuales, asegúrese de que sus terminales estén protegidos y debidamente aislados de los materiales que pudieran entrar en contacto con ellos y provocar un cortocircuito.

NOTA: Las baterías de iones de litio no deben colocarse dentro del equipaje registrado.

TRANSPORTE DE LA BATERÍA FLEXVOLT™ DE DEWALT

La batería FLEXVOLT™ de DEWALT tiene dos modalidades: **Uso y transporte.**



Modalidad de uso:

Cuando la batería FLEXVOLT™ está independiente o está en un producto DEWALT de 20 V Máx* funcionará como una batería de 20 V Máx*. Cuando la batería FLEXVOLT™ está en un producto de 60 V Máx* o 120 V Máx* (dos baterías de 60 V Máx*), funcionará como una batería de 60V Máx*.

Modalidad de transporte: Cuando la batería FLEXVOLT™ tiene puesta la tapa, la batería está en modalidad de transporte. Cadenas de celdas están desconectadas eléctricamente dentro de la unidad de batería, lo que resulta en tres baterías con una capacidad nominal de vatios hora (Wh) inferior comparada con una batería con una capacidad nominal de vatios hora superior. Esta mayor cantidad de tres baterías con una capacidad nominal de vatios-hora menor puede hacer que la unidad de batería quede exenta

ESPAÑOL

de ciertos reglamentos de transporte que se imponen a las baterías con mayor capacidad nominal de vatios-hora. La etiqueta en la batería indica dos capacidades nominales de vatios-hora (ver el ejemplo). Dependiendo de cómo se transporta la batería, debe usarse la capacidad nominal de vatios-hora apropiada para determinar los requisitos de transporte aplicables. Si se utiliza la tapa de transporte, la unidad de batería será considerada tres baterías con la capacidad nominal de vatios-hora indicada para «Transporte». Si se transporta sin la tapa o en una herramienta, la unidad de batería será considerada una batería con la capacidad nominal de vatios-hora indicada al lado de «Uso».

Ejemplo de Marcado en Etiqueta de Uso y Transporte

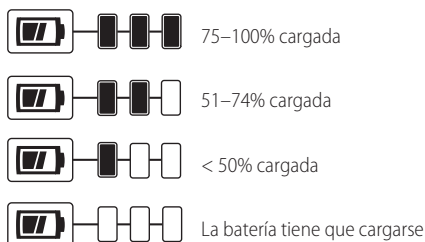
USE: 120 Wh Shipping: 3 x 40 Wh

Por ejemplo, la capacidad nominal de Wh de Transporte puede indicar 3 x 40 Wh, lo que significa 3 baterías de 40 vatios-hora cada una. La capacidad nominal de Wh de Uso puede indicar 120 Wh (se implica 1 batería).

Unidades de Batería con Indicador de Carga (Fig. B)

Algunas unidades de batería DeWALT incluyen un indicador de carga que consiste de tres luces LED verdes que indican el nivel de carga que queda en la unidad de batería.

El indicador de carga es una indicación de niveles aproximados de carga que quedan en la batería según los indicadores siguientes:



Para activar el indicador de carga, presione y sostenga el botón del indicador. Se iluminará una combinación de las tres luces LED verdes, que indicará el nivel de carga que queda. Cuando el nivel de carga está por debajo del nivel útil, el indicador no se iluminará, y la batería deberá recargarse.

Fig. B



NOTA: El indicador de carga es sólo eso: un indicador de la carga de la unidad de batería. No indica el nivel de funcionalidad de la herramienta y puede variar de acuerdo a las piezas del producto, la temperatura y la aplicación que el usuario le dé.

Para mayor información sobre unidades de batería con indicadores de carga, por favor llame al 1-800-4-DEWALT (1-800-433-9258) o visite nuestro sitio Web: www.dewalt.com.

El sello RBRC®

El sello RBRC® (Rechargeable Battery Recycling Corporation) en las baterías (unidades de batería) de níquel cadmio, níquel e hidruro metálico o de iones de litio indica que el costo de reciclaje de estas baterías (o unidades de batería) al llegar al final de su vida de servicio ya ha sido pagado por DeWALT. En algunas áreas, es ilegal depositar baterías de níquel cadmio, níquel e hidruro metálico o de iones de litio gastadas en la basura o la corriente de residuos sólidos urbanos; el programa Call 2 Recycle® proporciona una alternativa ecológica.

Call 2 Recycle, Inc., en cooperación con DeWALT y otros usuarios de baterías, han establecido programas en los Estados Unidos y Canadá para facilitar la recolección de baterías de níquel cadmio, níquel e hidruro metálico o de iones de litio gastadas. Al llevar sus baterías de níquel cadmio, níquel e hidruro metálico y de iones de litio gastadas a un centro de servicio autorizado por DeWALT o al minorista local para que sean recicladas, ayuda a proteger el medio ambiente y a conservar recursos naturales.

También puede comunicarse con el centro de reciclaje de su localidad para mayor información sobre dónde llevar sus baterías gastadas.

RBRC® es una marca comercial registrada de Call 2 Recycle, Inc.



Instrucciones Importantes de Seguridad Para Todos los Cargadores de Baterías

⚠️ ADVERTENCIA: Lea todas las advertencias de seguridad y todas las instrucciones para la batería, el cargador y la herramienta eléctrica. No seguir las advertencias y las instrucciones puede provocar una descarga eléctrica, un incendio y/o lesiones graves.

- **NO intente cargar la unidad de batería con otros cargadores que no sean los descritos en este manual.** El cargador y la unidad de batería fueron específicamente diseñados para trabajar en conjunto.
- **Estos cargadores no fueron diseñados para ser utilizados para más que cargar las baterías recargables DeWALT.** Cualquier otro uso puede producir riesgo de incendios, descargas eléctricas o electrocución.
- **No exponga el cargador a la lluvia o a la nieve.**
- **Tire del enchufe y no del cable cuando desconecte el cargador.** De esta forma se reduce el riesgo de daño al enchufe y cable.
- **Asegúrese de que el cable no sea ubicado de manera que podría ser pisado, causar que alguien tropiece con él o ser expuesto a otro tipo de daños y desgastes.**
- **No use un alargador a menos que sea absolutamente necesario.** El uso de un alargador incorrecto podría producir riesgo de incendios, descargas eléctricas o electrocución.
- **Cuando opere un cargador al exterior, hágalo siempre en un lugar seco y use un alargador**

apropiado para uso al exterior. El uso de un alargador apropiado para uso al exterior reduce el riesgo de descarga eléctrica.

- **Los hilos del alargador deben ser de un calibre apropiado (AWG o American Wire Gauge) para su seguridad.** Mientras menor sea el calibre del hilo, mayor la capacidad del cable. Es decir, un hilo calibre 16 tiene mayor capacidad que uno de 18. Un cable de un calibre insuficiente causará una caída en la tensión de la línea dando por resultado una pérdida de energía y sobrecalentamiento. Cuando se utilice más de un alargador para completar el largo total, asegúrese que los hilos de cada alargador tengan el calibre mínimo. La tabla siguiente muestra el tamaño correcto a utilizar, dependiendo de la longitud del cable y del amperaje nominal de la placa de identificación. Si tiene dudas sobre cuál calibre usar, use un calibre mayor. Cuanto menor sea el número del calibre, más resistente será el cable.

Calibre mínimo de conjuntos de cables

Voltios	Longitud total del cable en pies (metros)				
	120 V	25 (7,6)	50 (15,2)	100 (30,5)	150 (45,7)
240 V	50 (15,2)	100 (30,5)	200 (61,0)	300 (91,4)	
Amperaje nominal	AWG				
	Más de	Más de	Más de	Más de	Más de
0	6	18	16	16	14
6	10	18	16	14	12
10	12	16	16	14	12
12	16	14	12		Not Recommended

- **No coloque ningún objeto encima del cargador ni coloque a este sobre una superficie blanda que pudiera bloquear las ranuras de ventilación y resultar en un calor interno excesivo.** Coloque el cargador en un lugar alejado de cualquier fuente de calor. El cargador se ventila a través de las ranuras que se encuentran en la parte superior e inferior de la caja protectora.
- **No opere el cargador si su cable o enchufe están dañados.**
- **No opere el cargador si ha recibido un golpe agudo, si se ha caído o si ha sido dañado de alguna otra forma.** Llévelo a un centro de servicio autorizado.
- **No desarme el cargador; llévelo a un centro de servicio autorizado cuando deba ser reparado.** Si es reensamblado incorrectamente, puede causar descargas eléctricas, electrocución o incendios.
- **Desenchufe el cargador antes de intentar limpiarlo. Esto reducirá el riesgo de descargas eléctricas.** El retirar el paquete de baterías no reducirá este riesgo.
- **NUNCA** intente conectar 2 cargadores entre sí.
- **El cargador está diseñado para operar con una corriente eléctrica estándar residencial de 120 V. No intente usarlo con ningún otro voltaje.** Esto no aplica al cargador vehicular.

⚠️ ADVERTENCIA: Peligro de descarga eléctrica. No permita que ningún líquido se introduzca en el cargador. Puede producir descargas eléctricas.

⚠️ ADVERTENCIA: Peligro de quemaduras. No sumerja la unidad de batería en líquido de ningún tipo ni permita que se introduzca ningún tipo de líquido a la unidad de batería. Nunca intente abrir la unidad de batería por ningún motivo. Si la caja plástica de la unidad de batería se triza o rompe, llévela a un centro de servicio para su reciclaje

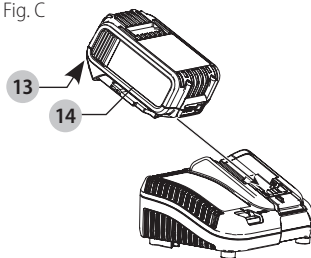
⚠️ ATENCIÓN: Peligro de quemaduras. Para reducir el riesgo de lesiones, sólo cargue unidades de batería recargables marca DEWALT. Otros tipos de batería podrían sobrecalentarse y reventar lo que podría resultar en lesiones corporales y daños a su propiedad.

AVISO: Bajo ciertas condiciones, cuando el cargador está enchufado a una toma de corriente, el cargador puede hacer cortocircuito si entra en contacto con algún material ajeno. Los materiales ajenos de naturaleza conductora, como el polvo de esmerilado, las placas de metal, la lana de acero, el papel de aluminio y otros, o cualquier acumulación de partículas metálicas deberían mantenerse alejados de las cavidades del cargador. Desenchufe siempre el cargador cuando no haya una unidad de batería en su cavidad. Desenchufe el cargador antes de intentar limpiarlo.

Carga de una Batería (Fig. C)

1. Enchufe el cargador en una toma de corriente apropiada antes de introducir la batería.

Fig. C







2. Inserte la batería **14** en el cargador, comprobando esté bien fija. La luz roja (de carga) parpadeará continuamente para indicar que se ha iniciado el proceso de carga.
3. La luz roja se quedará ENCENDIDA continuamente cuando se haya completado el proceso de carga. La batería estará entonces completamente cargada y podrá ser utilizada de inmediato o dejarse en el cargador. Para sacar la batería del cargador, presione el botón de liberación **13** de la batería.

NOTA: Para asegurar el máximo rendimiento y vida útil de las baterías de iones de litio, cargue la batería completamente antes de usarla por primera vez.

Funcionamiento del Cargador

Consulte los indicadores a continuación relativos al estado de carga de la batería.

DCB101	
 Unidad en Proceso de Carga	— — — — —
 Unidad Cargada	—————
 Retraso por Unidad Caliente/Fr�a	— • — • — • — •
 Problema con la Bater�a o el Cargador	• • • • • • • •

DCB107, DCB112, DCB113, DCB115, DCB118, DCB132	
 Unidad en Proceso de Carga	— — — — — 
 Unidad Cargada	————— 
 Retraso por Unidad Caliente/Fr�a*	— — — — — ————— 

***DCB107, DCB112, DCB113, DCB115, DCB118, DCB132:** La luz roja continuar a parpadeando, pero una luz indicadora amarilla estar a iluminada durante esta operaci n. Una vez que la bater a haya llegado a una temperatura apropiada, la luz amarilla se apagar a y el cargador continuar a con el procedimiento de carga.

El cargador no cargar n una bater a defectuosa. El cargador indicar a que la unidad de bater a es defectuosa al no iluminarse o al indicar que existe un problema con la unidad o el cargador.

NOTA: Esto tambi n puede significar que hay un problema con el cargador.

Si el cargador indica un problema, lleve el cargador y la bater a a un centro de servicio autorizado para que sean sometidos a pruebas.

Retraso por Bater a Caliente/Fr a

Cuando el cargador detecta que una bater a est a demasiado caliente o demasiado fr a, inicia autom ticamente un Retraso por bater a caliente/fr a y suspende la carga hasta que la bater a alcanza una temperatura adecuada. En ese momento, el cargador inicia autom ticamente el modo de carga de la bater a. Esta funci n garantiza la m xima duraci n de la bater a.

Una bater a fr a se carga m s lentamente que una bater a caliente. La bater a se cargar a a ese ritmo m s lento durante todo el ciclo de carga y no volver a cargarse a la velocidad de carga m xima incluso si la bater a se calienta.

El cargador DCB118 est a equipado con un ventilador interno dise ado para enfriar la bater a. El ventilador se encender  autom ticamente cuando la bater a tenga que enfriarse.

No opere nunca el cargador si el ventilador no funciona adecuadamente o si las ranuras de ventilaci n est n obstruidas. No permita que entren objetos extra os dentro del cargador.

Sistema de Protecci n Electr nica

Las herramientas con bater as de iones de litio est n dise adas con un Sistema de protecci n electr nico que proteger a la bater a contra la sobrecarga, el sobrecalentamiento o la descarga completa.

La herramienta se apagar  autom ticamente si el Sistema de protecci n electr nico se activa. Si esto ocurre, coloque

la bater a de iones de litio en el cargador hasta que est  totalmente cargada.

Montaje en la Pared

DCB107, DCB112, DCB113, DCB115, DCB118, DCB132:

Estos cargadores est n dise ados para montarse en la pared o colocarse en posici n vertical sobre una mesa o superficie de trabajo. Si lo monta en la pared, coloque el cargador al alcance de una toma de corriente el ctrica y alejado de las esquinas u otras obstrucciones que puedan impedir el flujo de aire. Utilice la parte de atr s del cargador como plantilla para la ubicaci n de los tornillos de montaje en la pared. Monte el cargador firmemente utilizando tornillos para muro seco (comprados por separado) de un m nimo de 25,4 mm (1") de largo, con una cabeza de un di metro de 7-9 mm (0,28-0,35"), atornillados en madera hasta una profundidad  ptima dejando el tornillo expuesto aproximadamente 5,5 mm (7/32"). Alinee las ranuras en la parte trasera del cargador con los tornillos expuestos e introd zcalos totalmente en las ranuras.

Instrucciones de Limpieza del Cargador



ADVERTENCIA: Riesgo de descarga el ctrica.

Desconecte el cargador del tomacorriente de CA antes de limpiarlo. Para limpiar la suciedad y grasa del exterior del cargador puede usarse un pa o o cepillo suave no met lico. No use agua ni soluciones limpiadoras.

Notas Importantes Sobre la Carga

- Se puede obtener una mayor duraci n y un mejor rendimiento si la unidad de bater a se carga a una temperatura ambiente de 18 – 24  C (65 – 75  F). NO cargue cuando la bater a est a debajo +4.5  C (+40  F) o superior a +40  C (+104  F). Esto es importante y evitar a causar da os graves a la bater a.
- Puede que el cargador y la unidad de bater a se calienten ligeramente durante el proceso de carga. Esto es normal y no representa ning n problema. Para facilitar el enfriamiento de la unidad de bater a despu s del uso, evite colocar el cargador o la unidad de bater a en un lugar c ldido, como un cobertizo met lico o un remolque sin aislamiento t rmico.
- Si la unidad de bater a no se carga correctamente:
 - Verifique el funcionamiento de la toma enchufando una l mpara u otro aparato;
 - Revise que la toma de corriente no est  conectada a un interruptor de luz que corte la corriente cuando se corte la luz;
 - Mueva el cargador y la unidad de bater a a un lugar donde la temperatura ambiental sea aproximadamente 18 – 24  C (65 – 75  F);
 - Si el problema de carga contin a, lleve la herramienta, unidad de bater a y el cargador a su centro de servicio local.
- La unidad de bater a deber a ser recargada cuando no sea capaz de producir suficiente potencia para trabajos que eran f cilmente realizados antes. NO

CONTINÚE usándola bajo estas circunstancias. Siga el procedimiento de carga. También puede cargar una unidad de batería que haya sido usada parcialmente cuando lo desee, sin dañarla.

- Los materiales ajenos conductores por naturaleza, tales como, pero sin limitarse a, el polvo del esmerilado, las virutas metálicas, la lana de acero, el papel de aluminio o cualquier acumulación de partículas metálicas deberían mantenerse alejados de las cavidades del cargador. Desenchufe siempre el cargador de la toma de corriente cuando no haya una unidad de batería en su cavidad. Desenchufe el cargador antes de intentar limpiarlo.
- No congele ni sumerja el cargador en agua o cualquier otro líquido.

Recomendaciones de Almacenamiento

- El mejor lugar de almacenamiento es uno que sea fresco y seco, lejos de la luz solar directa y del exceso de calor o frío.
- Para resultados óptimos durante tiempos prolongados de almacenamiento, se recomienda almacenar la unidad de batería completamente cargada en un lugar fresco y seco fuera del cargador.

NOTA: Las unidades de batería no deberían almacenarse completamente descargadas. La unidad de batería deberá recargarse antes de ser usada.

GUARDE ESTAS INSTRUCCIONES PARA VOLVER A CONSULTAR EN EL FUTURO

Uso Debido

Su engrapadora para cercas está diseñada **SOLAMENTE** para usarse en la introducción de grapas en madera.

NO use este producto para sujetar cables eléctricos.

NO utilice la herramienta en condiciones de humedad o en presencia de líquidos o gases inflamables.

Utilice **SOLAMENTE** clavos que estén recomendados por DEWALT y cumplan con los requisitos del código de construcción aplicable.

Use **SOLAMENTE** grapas DEWALT.

Esta herramienta está diseñada para ser utilizada por profesionales de la construcción.

NO permita que los niños toquen la herramienta. Si el operador no tiene experiencia operando esta herramienta, su uso deberá ser supervisado.

ESPECIFICACIONES DE LA HERRAMIENTA	
Modo de disparo	Secuencial y RapidCycle
Voltaje	20 V
Altura	429 mm (16,9")
Ancho	104 mm (4,1")
Longitud	361 mm (14,2")
Peso	3,99 kg (8,8 lb)
Ángulo del depósito	0°

ESPECIFICACIONES DE LA HERRAMIENTA	
Capacidad de carga	Hasta 35 grapas
Bloqueo de disparo sin carga	5 grapas

ESPECIFICACIONES DE GRAPAS

IMPORTANTE: Su engrapadora para cercas SÓLO es compatible con grapas DEWALT.

Longitudes de grapa	38 mm, 44,4 mm y 50,1 mm (1-1/2", 1-3/4" y 2")
Diámetros del vástago	4 mm
Ángulo de grapa	0°

Bloqueo de Disparo sin Carga

Su engrapadora está equipada con un bloqueo de disparo en seco que evita que la herramienta se accione cuando el cargador está casi vacío. Cuando quedan 5 grapas en el cargador, la herramienta deja de operar. Consulte **Carga de la Herramienta** para volver a cargar una barra de grapas unidas.

MONTAJE Y AJUSTES

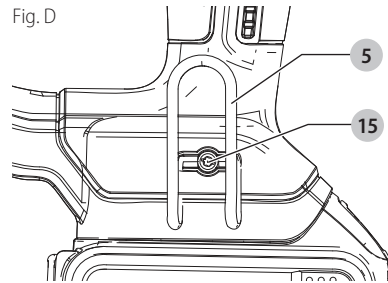
⚠ ADVERTENCIA: Para reducir el riesgo de lesiones personales graves, apague la herramienta y retire el paquete de baterías antes de realizar ajustes o de retirar/instalar dispositivos o accesorios. Un arranque accidental podría causar lesiones.

Gancho Utilitario (Fig. D)

Si no se quiere el gancho en absoluto, puede quitarse de la herramienta.

Cómo Quitar el Gancho Utilitario

- Saque la batería de la herramienta.
 - Para cambiar la herramienta de uso para diestros a uso para zurdos, simplemente saque el tornillo 15 del lado opuesto de la herramienta y vuelva a instalar el gancho utilitario 5 en el otro lado.
 - Cambie la batería.
- Fig. D



⚠ ADVERTENCIA: Retire las grapas del cargador antes de realizar cualquier ajuste o reparar esta herramienta. De lo contrario, puede provocar lesiones graves.

ESPAÑOL

⚠️ ADVERTENCIA: Desconecte la batería de la herramienta antes de realizar ajustes, cambiar accesorios, realizar mantenimiento o reparaciones, o mover la herramienta. Dichas medidas de seguridad preventivas reducen el riesgo de poner en marcha la herramienta accidentalmente.

⚠️ ATENCIÓN: Cuando no se utilice, coloque la herramienta en posición horizontal sobre una superficie estable donde no interrumpa el paso o provoque una caída. Algunas herramientas con baterías grandes se sostienen verticalmente sobre la batería, pero pueden caerse fácilmente.

OPERACIÓN (FIG. A)

⚠️ ADVERTENCIA: Para reducir el riesgo de lesiones personales graves, apague la herramienta y retire el paquete de baterías antes de realizar ajustes o de retirar/instalar dispositivos o accesorios. Un arranque accidental podría causar lesiones.

⚠️ ADVERTENCIA: Lea la sección titulada **Instrucciones de Seguridad de Engranadora** al principio de este manual. Siempre use protección para los ojos y oídos cuando opere esta herramienta. Mantenga la engranadora apuntado al lado opuesto de su cuerpo y otras personas. Para la operación segura, complete los siguientes procedimientos y verificaciones antes de cada uso de la engranadora.

1. Lleve protección ocular, auditiva y respiratoria adecuada.
2. Saque la batería **14** de la herramienta.
3. Bloquee la palanca de empuje **12** en la posición posterior y retire todas las grapas del cargador.
4. Compruebe que el activador por contacto **7** y las piezas del liberador del propulsor funcionen de forma suave y correcta. No utilice la herramienta si alguna pieza no funciona correctamente. **NUNCA** utilice una herramienta con el activador por contacto bloqueado en la posición superior.
5. No utilice **NUNCA** una herramienta con piezas dañadas.

⚠️ ADVERTENCIA: Para reducir el riesgo de lesiones personales, desconecte el paquete de baterías de la herramienta antes de realizar el mantenimiento, eliminar una grapa atascada, salir del área de trabajo, mover la herramienta a otra ubicación o entregar la herramienta a otra persona.

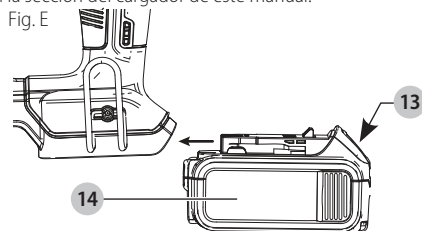
Cómo Instalar y Retirar la Unidad de Batería (Fig. E)

NOTA: Para mejores resultados, verifique que su unidad de batería esté completamente cargada.

Para instalar la unidad de batería **14** en el mango de la herramienta, alinee la unidad de batería con los rieles en el interior del mango de la herramienta y deslícela en el mango hasta que la unidad de batería quede firmemente insertada en la herramienta; verifique que ésta no se salga sola.

Para retirar la unidad de alimentación de la herramienta, presione los botones de liberación **13** y tire firmemente

de la unidad de batería para sacarla del mango de la herramienta. Insértela en el cargador tal como se describe en la sección del cargador de este manual.



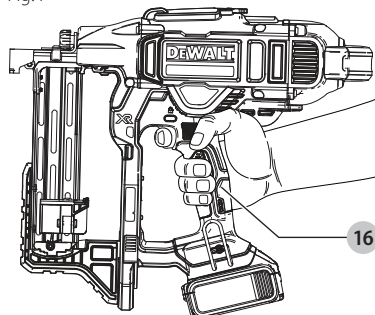
Posición Adecuada de las Manos (Fig. F)

⚠️ ADVERTENCIA: Para reducir el riesgo de lesión personal grave, tenga **SIEMPRE** las manos en una posición adecuada como se muestra.

⚠️ ADVERTENCIA: Para reducir el riesgo de lesión personal grave, sujete **SIEMPRE** bien en caso de que haya una reacción repentina.

Para tener una posición adecuada de las manos, ponga una mano en el mango principal **16**, como se muestra en la Fig. F.

Fig. F



Preparación de la Herramienta

AVISO: **NUNCA** rocíe ni aplique de ninguna otra forma lubricantes o solventes de limpieza en el interior de la herramienta. Esto puede afectar gravemente la duración y el rendimiento de la herramienta.



NOTA: La batería incluida en la caja no está completamente cargada. Siga las instrucciones indicadas (consulte la sección **Procedimientos de los Punta**).

1. Lea la sección **Advertencias de Seguridad de la Engranadora** de este manual.
2. Lleve protección ocular y auditiva.
3. Saque la batería **14** de la herramienta.
4. Asegúrese de que el cargador **10** no tenga ningún clavo.
5. Compruebe que el activador por contacto **7** y las piezas del liberador del propulsor funcionen correctamente.

y sin problemas. No utilice la herramienta si alguna pieza no funciona correctamente. **NUNCA** utilice una herramienta con el activador por contacto bloqueado en la posición de funcionamiento.

- No apunte la herramienta a ninguna persona ni a usted mismo.
- Introduzca la batería totalmente cargada.

Uso del Botón de Bloqueo del Gatillo

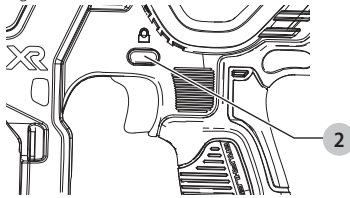
(Fig. G)

! **ADVERTENCIA:** Para reducir el riesgo de lesiones corporales graves, no mantenga presionado el gatillo cuando no se está utilizando la herramienta. Mantenga el botón de bloqueo BLOQUEADO (Fig. G) cuando no se esté utilizando la herramienta.

! **ADVERTENCIA:** Para reducir el riesgo de lesiones personales graves, bloquee el gatillo, desconecte el paquete de batería de la herramienta y retire las grapas del cargador antes de realizar ajustes.

Cada engrapadora DeWALT está equipada con un bloqueo de gatillo **2** que, cuando se empuja a la derecha como se muestra en la Figura G, impide que la herramienta descargue una grapa al bloquear el gatillo y derivar la potencia al motor.

Fig. G



Cuando se presiona el botón de bloqueo del gatillo hacia la izquierda, la herramienta funciona adecuadamente. El botón de bloqueo del gatillo debe estar bloqueado siempre que se realicen ajustes o cuando la herramienta no vaya a utilizarse de inmediato.

AVISO: No guarde la herramienta con la batería instalada. Para evitar daños a la batería y asegurar la mejor vida útil de la misma, guarde las baterías fuera de la herramienta o cargador en un lugar frío y seco.

Carga de la Herramienta (Fig. H)

! **ADVERTENCIA:** No apunte la herramienta a ninguna persona ni a usted mismo.

! **ADVERTENCIA:** Nunca cargue las grapas con el tope de contacto o el gatillo activado.

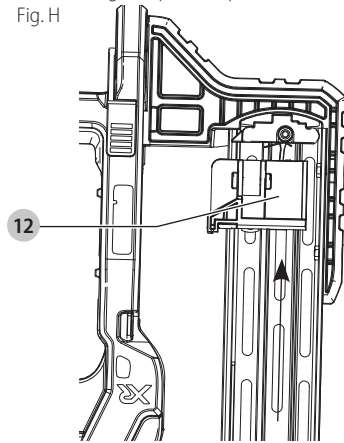
! **ADVERTENCIA:** Siempre retire el paquete de la batería antes de cargar o descargar las grapas.

! **ATENCIÓN:** Mantenga los dedos alejados del riel del liberador del propulsor para evitar lesiones.

! **ADVERTENCIA:** El botón de bloqueo del gatillo debe siempre estar activado cuando se realicen ajustes o cuando la herramienta no esté utilizándose.

! **ADVERTENCIA:** Esta engrapadora requiere el uso de las grapas DeWALT.

- Voltee la engrapadora al revés.
- Deslice la palanca de empuje accionada por resorte **12** a la base del cargador para bloquearla en su lugar.
Fig. H



- Coloque las tiras de grapas en la ranura de carga del cargador, asegurándose que las cabezas de las grapas estén alineadas correctamente con la abertura de la ranura. (Consulte **Especificaciones de grapas** para determinar el tamaño compatible).
- Mantenga los dedos alejados del carril, cierre el cargador soltando el seguro de la palanca de empuje. Con cuidado, deje que el seguro se deslice hacia adelante y conecte la tira de grapas.

Descarga de la Herramienta

! **ADVERTENCIA:** El botón de bloqueo del gatillo debe siempre estar bloqueado cuando se realicen ajustes o cuando la herramienta no esté utilizándose.

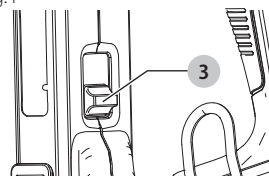
- Deslice la palanca de empuje accionada por resorte hasta la base del cargador para bloquearla en su lugar.
- Incline la herramienta hacia arriba hasta que la tira de clavos se deslice libremente fuera del depósito.
- Con la batería extraída, revise la boquilla para verificar que no queden grapas.

Resumen de Configuración de la Potencia (Fig. I, J)

Esta engrapadora está equipada con un interruptor de selección de potencia sin herramientas **3** para ajustar la herramienta para diferentes aplicaciones.

En el caso de que las grapas no lleguen a la profundidad en el ajuste de potencia 1, es posible que tenga que cambiar a la potencia 2 o 3 para obtener potencia de inserción adicional.

Fig. I

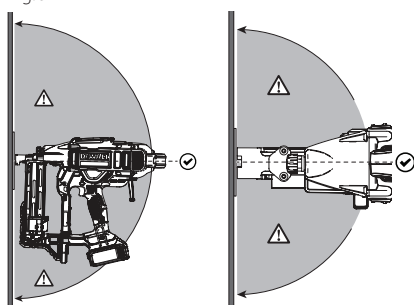


AVISO: Introducir las grapas en materiales blandos con ajustes de alta potencia causará un desgaste excesivo de su herramienta y puede ocasionar fallas prematuras.

Ajuste de potencia	Aplicación	Longitud de grapa típica
1	Longitud de grapa más corta / inserción de grapa mínima deseada	38 mm (1-1/2") típico
2	Inserción de grapa incrementada deseada para longitudes de grapa media a grande	44,4 mm–51,1 mm (1-3/4"–2") típico
3	Inserción máxima de grapa deseada	44,4 mm–51,1 mm (1-3/4"–2") típico

⚠️ ADVERTENCIA: Las grapas se deben colocar rectas dentro del material. No incline la engrapadora mientras inserta los sujetadores. Consulte la Fig. J. Los valores de retención de grapas mejoran cuando la herramienta se dispara perpendicular al material.

Fig. J



Ajuste de la Profundidad (Fig. K)

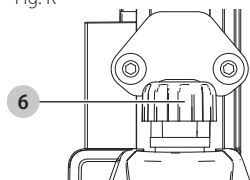
La profundidad con la que se introduce la grapa se puede ajustar usando el ajuste de profundidad sin herramientas 6 en la punta de la herramienta.

⚠️ ADVERTENCIA: Para reducir el riesgo de lesiones graves debidas a una puesta en marcha accidental al tratar de ajustar la profundidad, SIEMPRE:

- Saque la batería.
- Engrane el botón de bloqueo del gatillo.
- Siempre apunte la punta de la engrapadora al lado opuesto de usted.
- Evite el contacto con el gatillo durante los ajustes.

1. Para insertar la grapa menos profundo, gire el ajuste de profundidad sin herramientas 6 a la izquierda.
2. Para insertar la grapa más profundo, gire el ajuste de profundidad sin herramientas 6 a la derecha.

Fig. K



Selección de Modos (Fig. A)

⚠️ ADVERTENCIA: Lleve siempre protección ocular [ANSI Z87.1 (CAN/CSA Z94.3)] y auditiva ANSI S12.6 (S3.19) apropiada al operar la herramienta.

Para seleccionar el modo secuencial estándar, deslice el selección de modo sin herramientas 4 para mostrar el icono de una sola flecha ◀.

Para seleccionar el modo de funcionamiento secuencial rápido (RapidCycle), deslice el selección de modo sin herramientas 4 para mostrar el icono de doble flecha ◀◀.

NOTA: La duración de la batería en el modo RapidCycle será más corta que en el modo secuencial rápido. Dejar la herramienta en el modo secuencial estándar proporcionará mayor duración a la batería.

Modo Secuencial

El modo secuencial se utiliza para el engrapado intermitente. Ofrece la máxima duración de la batería para la inserción de grapas.

1. Utilizando el selección de modo sin herramientas 4, seleccione el modo secuencial.
2. Libere el bloqueo de gatillo 2.
3. Empuje el activador por contacto 7 contra la superficie de trabajo.
4. Apriete el interruptor de gatillo 1 para poner en marcha la herramienta.
5. Libere el gatillo y levante la engrapadora de la superficie de trabajo.
6. Repita los pasos 3-5 para accionar la siguiente grapa.






Modo Rapidcycle

En el modo RapidCycle, la velocidad de rotación del motor se restablece automáticamente después de insertar una grapa para permitir un engrapado rápido y consecutivo. Si bien ofrece la capacidad de introducir más grapas en menos tiempo, este modo agota más rápidamente la carga de la batería.

1. Use el interruptor de selección de modo sin herramientas 4 para seleccionar el modo RapidCycle.
 2. Libere el bloqueo de seguridad del gatillo 2.
 3. Empuje el activador por contacto 7 contra la superficie de trabajo.
 4. Apriete el interruptor de gatillo 1 para poner en marcha la herramienta.
 5. Libere el gatillo y levante la engrapadora de la superficie de trabajo.
- NOTA:** El motor de la herramienta vuelve a la velocidad total automáticamente sin presionar el activador por contacto 7.
6. Repita los pasos 3-5 para accionar la siguiente grapa.

Luces/Indicador de LED (Fig. A)

Hay luces indicadoras de batería baja y obstrucción/parada 9 ubicadas en la parte delantera de la herramienta en cada lado del depósito alimentador.

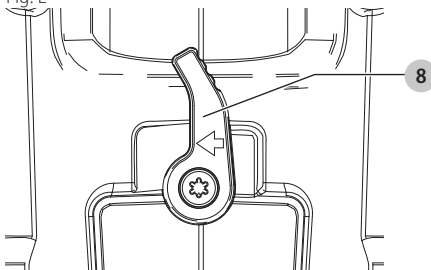
	<p>BATERÍA BAJA Cambie la batería por una batería cargada.</p>
	<p>BATERÍA CALIENTE Deje que se enfríe la batería o cámbiela por una batería fría.</p>
	<p>OBSTRUCCIÓN/PARADA Gire la palanca de liberación de parada liberarla. Consulte la sección Liberación de parada. Consulte Liberación de Ahogamiento sin Herramientas o Eliminación de Grapa Atascada.</p>
	<p>HERRAMIENTA CALIENTE (Ambos LED parpadeando) Deje enfriar la herramienta antes de continuar usándola.</p>
 o cualquier otra combinación.	<p>ERROR Reajuste la herramienta retirando y volviendo a insertar la batería o activando y desactivando el botón de bloqueo del gatillo. Si persiste el código de error, lleve la herramienta a un centro de servicio DEWALT autorizado.</p>

Liberación de Ahogamiento sin Herramientas (Fig. L)

Si la engrapadora se usa en un material más duro en la que toda la energía disponible en el motor se usa para introducir un sujetador, la herramienta puede ahogarse. El controlador no completará el ciclo de impulso y el indicador de atascamiento/ahogamiento parpadeará. Gire la liberación de ahogamiento sin herramientas **8** en la herramienta y el mecanismo se liberará.

NOTA: La herramienta se desactivará y no se restablecerá hasta que se retire y vuelva a insertar el paquete de batería. Si el controlador no regresa automáticamente a la posición de inicio, continúe a **Eliminación de Grapa Atascada**. Si la unidad continúa ahogándose, revise el material y la longitud del sujetador para asegurarse que no sea una aplicación demasiado rigurosa. La engrapadora se podría sobrecalentar y necesita tiempo para enfriarse antes del uso adicional.

Fig. L



Eliminación de Grapa Atascada (Fig. A, M)

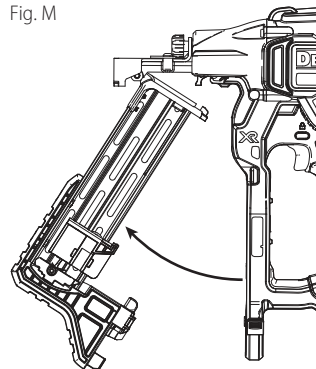
ADVERTENCIA: Para reducir el riesgo de lesiones personales graves, apague la herramienta y desconéctela de la fuente de alimentación antes de instalar y retirar accesorios, ajustar o cambiar configuraciones o realizar reparaciones. Un arranque accidental podría causar lesiones.

ATENCIÓN: Cuando retire una grapa atascada, NO oriente la grapadora con la punta hacia arriba o con el pie de la batería hacia arriba. La colocación de la engrapadora de esta manera hace que las grapas o piezas atascadas de la grapa tengan más probabilidades de introducirse en la engrapadora. Si cualquier porción de una grapa se introduce en la herramienta, la grapa se debe recuperar retirando la tapa superior.

Si una grapa queda atascada en la pieza de punta, mantenga la herramienta apuntada opuesta a usted y siga estas instrucciones para liberarla:

1. Saque la batería **14** de la herramienta y active el botón de bloqueo del gatillo **2**.
2. Después de colocar la herramienta sobre un costado, deslice el seguro de la palanca de empuje accionada por resorte **12** a la base del cargador para asegurarla en su lugar y descargue la tira de grapas.
3. Gire la palanca de liberación del depósito **11** y gire el depósito alimentador **10** hacia adelante.

Fig. M



4. Retire la grapa atascada/doblada, usando pinzas si es necesario.

ATENCIÓN: Si cualquier porción de una grapa se introduce en la herramienta, la grapa se debe recuperar retirando la tapa superior.

5. Si el controlador está en la posición hacia abajo, gire la palanca de liberación de bloqueo en la parte superior de la engrapadora.

NOTA: Si la hoja de la guía no se reajusta después de girar la palanca de liberación de parada, puede ser necesario ajustar la hoja manualmente con un destornillador largo.

6. Vuelva a girar el depósito hasta su posición bajo la tobera de la herramienta y cierre la palanca de liberación del depósito alimentador.

ESPAÑOL

7. Vuelva a insertar la batería.

NOTA: La herramienta se desactivará y no se reajustará hasta que se haya sacado la batería y se haya vuelto a insertar.

8. Vuelva a insertar las grapas en el cargador (consulte **Carga de la Herramienta**).

9. Libere el seguro del liberador del propulsor.

10. Desactive el bloqueo del gatillo cuando esté listo para continuar el engrapado.

NOTA: Si las grapas se atascan con frecuencia o si el controlador no se reinicia continuamente, solicite a un centro de servicio autorizado de DEWALT que repare la herramienta.

Funcionamiento en Climas Fríos

Cuando utilice herramientas a temperaturas bajo cero:

1. Mantenga la herramienta lo más caliente posible antes de utilizarla.
2. Accione la herramienta de 10 a 15 veces en madera de desecho antes de usarla.

Funcionamiento en Climas Cálidos

La herramienta debería funcionar normalmente. Sin embargo, no exponga la herramienta a la luz solar directa, ya que el calor excesivo puede deteriorar los topes y otras piezas de goma con lo cual aumenta la necesidad de mantenimiento.

MANTENIMIENTO



ADVERTENCIA: Para reducir el riesgo de lesiones personales graves, apague la herramienta y retire el paquete de baterías antes de realizar ajustes o de retirar/instalar dispositivos o accesorios. Un arranque accidental podría causar lesiones.

TABLA DE MANTENIMIENTO DIARIO

ACCIÓN	Limpie el depósito, el impulsor y el mecanismo del activador por contacto.
MOTIVO	Permite que el depósito funcione correctamente, reduce el desgaste y previene los atascos.
PROCEDIMIENTO	La forma más eficaz de limpiar la herramienta es soplándola con aire comprimido. El uso de aceites, lubricantes o solventes periódicamente no se recomienda ya que tienden a atraer residuos y/o dañan las piezas de plástico de la herramienta.

TABLA DE MANTENIMIENTO DIARIO

ACCIÓN	Antes de cada utilización, compruebe que todos los tornillos y clavos estén apretados e intactos.
POR QUÉ	Evita los atascos y el fallo prematuro de las piezas de la herramienta.
CÓMO	Apriete los tornillos flojos utilizando la llave hexagonal o atornillador adecuado.

Limpieza



ADVERTENCIA: Sople la suciedad y el polvo de todos los conductos de ventilación con aire seco, al menos una vez por semana. Para reducir el riesgo de lesiones, utilice siempre protección para los ojos aprobada ANSI Z87.1 al realizar esta tarea.



ADVERTENCIA: NUNCA utilice solventes ni otros químicos abrasivos para limpiar las piezas no metálicas de la herramienta. Estos productos químicos pueden debilitar los materiales plásticos utilizados en estas piezas. Utilice un paño humedecido sólo con agua y jabón neutro. Nunca permita que penetre líquido dentro de la herramienta ni sumerja ninguna de las piezas en un líquido.

Lubricación

AVISO: NUNCA rocíe ni aplique de ninguna otra forma lubricantes o solventes de limpieza en el interior de la herramienta. Esto puede afectar gravemente la duración y el rendimiento de la herramienta.



Las herramientas DEWALT son lubricadas adecuadamente en fábrica y están listas para usar. No obstante, se recomienda que, una vez al año, lleve o envíe la herramienta a un centro de mantenimiento certificado para que le realicen una limpieza e inspección completas.

Accesorios



ADVERTENCIA: Debido a que no se han probado con este producto otros accesorios que no sean los que ofrece DEWALT, el uso de dichos accesorios con esta herramienta podría ser peligroso. Para reducir el riesgo de lesiones, con este producto deben usarse sólo los accesorios recomendados por DEWALT.

Kit de reemplazo de la hoja del impulsor DCF59501

Kit de Reemplazo de la Hoja del Impulsor DCF59501 (Fig. N-O)



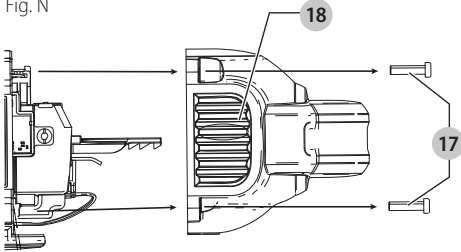
ADVERTENCIA: Por su propia seguridad, lea el manual de instrucciones de la herramienta antes de usar cualquiera de los accesorios. De no seguir estas advertencias podrían producirse lesiones corporales y graves daños a la herramienta y al accesorio. Cuando realice el mantenimiento de esta herramienta, utilice únicamente repuestos originales.

AVISO: Todas las piezas mecánicas del kit de reemplazo del impulsor se muestran por comodidad y para verificación de inclusión.

Cómo cambiar un impulsor desgastado:

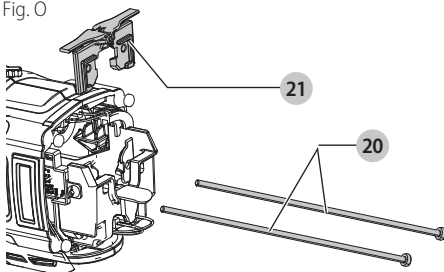
1. Utilizando una llave Torx T-20, afloje los cuatro tornillos **17** en ambos lados de la unidad. Consulte la Figure N.
2. Retire los cuatro tornillos. Consulte la Figure N.
3. Retire la tapa del extremo de la caja protectora **18**. Consulte la Figure N.

Fig. N



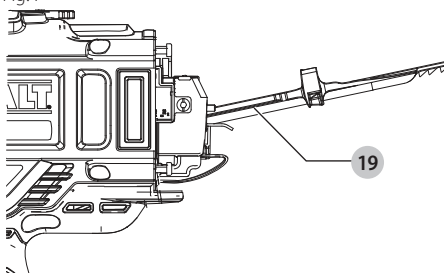
4. Empuje hacia arriba el extremo trasero del impulsor **19** hasta que oiga un clic, luego empuje el impulsor hacia adelante mientras lo sostiene en esta posición hasta que pase la unidad del tope superior. Consulte la Figura P.
5. Quite las varillas de guía **20**. Consulte la Figura O.
6. Retire la unidad del tope superior **21**. Consulte la Figura O.

Fig. O



7. Levante la parte trasera del impulsor hasta que esté en ángulo y saque el impulsor jalando. Consulte la Figura P.
8. Cambie el impulsor y siga los pasos a la inversa para volver a ensamblar
9. Asegúrese de que el nuevo impulsor se deslice suavemente a través de la pistola antes del reensamblaje total.

Fig. P



10. Vuelva a colocar la unidad, las barras de guía, los toques y la tapa del extremo de la carcasa. Es importante probar el alineamiento del impulsor y el volante antes de volver a atornillar la tapa del extremo de la caja protectora en la unidad. Esto puede realizarse conectando una batería y empujando y luego soltando la tobera de la herramienta contra un banco o superficie dura. Así empezará a girar el motor.

NOTA: Cuando el impulsor y el volante estén alineados correctamente, oírás que el motor vuelve a reducir la velocidad desde la velocidad máxima. Si el impulsor y el volante no están alineados correctamente, quizás no arranque el motor o se ralentice mucho más rápido de lo normal y la herramienta emita un fuerte chirrido. Si ocurre esto, retire y vuelva a colocar el impulsor, asegurándose de que los toques estén fijados correctamente.



ADVERTENCIA: Siempre pruebe la unidad disparando grapas de (38 mm) 1-1/2" en el ajuste de potencia 1 en material de desecho, para asegurarse que la herramienta funciona correctamente. Si la herramienta no funciona bien, contacte con un centro de servicio DEWALT reconocido inmediatamente.

Los accesorios que se recomiendan para utilizar con la herramienta están disponibles a un costo adicional en su distribuidor local o en un centro de mantenimiento autorizado. Si necesita ayuda para localizar algún accesorio, póngase en contacto con DEWALT Industrial Tool Co., 701 East Joppa Road, Towson, MD 21286, llame al 1-800-4-DEWALT (1-800-433-9258) o visite nuestro sitio web: www.DEWALT.com.

Reparaciones

El cargador y las unidades de batería no pueden ser reparados.



ADVERTENCIA: Para asegurar la SEGURIDAD y la CONFIABILIDAD del producto, las reparaciones, el mantenimiento y los ajustes deben (inclusive inspección y cambio de carbones) ser realizados en un centro de mantenimiento en la fábrica DEWALT u en un centro de mantenimiento autorizado DEWALT. Utilice siempre piezas de repuesto idénticas.

Para reparación y servicio de sus herramientas eléctricas, favor de dirigirse al Centro de Servicio más cercano

CULIACAN, SIN

Blvd.Emiliano Zapata 5400-1 Poniente Col. (667) 717 89 99 San Rafael

GUADALAJARA, JAL

Av. La Paz #1779 - Col. Americana Sector (33) 3825 6978 Juárez

MEXICO, D.F.

Eje Central Lázaro Cárdenas No. 18 - Local (55) 5588 9377 D, Col. Obrera

MERIDA, YUC

Calle 63 #459-A - Col. Centro (999) 928 5038

ESPAÑOL

MONTERREY, N.L.

Av. Francisco I. Madero 831 Poniente - Col. (818) 375 23 13
Centro

PUEBLA, PUE

17 Norte #205 - Col. Centro (222) 246 3714

QUERETARO, QRO

Av. San Roque 274 - Col. San Gregorio (442) 2 17 63 14

SAN LUIS POTOSI, SLP

Av. Universidad 1525 - Col. San Luis (444) 814 2383

TORREON, COAH

Blvd. Independencia, 96 Pte. - Col. Centro (871) 716 5265

VERACRUZ, VER

Prolongación Díaz Mirón #4280 - Col. (229) 921 7016
Remes

VILLAHERMOSA, TAB

Constitución 516-A - Col. Centro (993) 312 5111

PARA OTRAS LOCALIDADES:

**Si se encuentra en México, por favor llame al
(55) 5326 7100**

**Si se encuentra en U.S., por favor llame al
1-800-433-9258 (1-800 4-DEWALT)**

Póliza de Garantía

IDENTIFICACIÓN DEL PRODUCTO:

Sello o firma del Distribuidor.

Nombre del producto: _____

Mod./Cat.: _____

Marca: _____

Núm. de serie: _____

(Datos para ser llenados por el distribuidor)

Fecha de compra y/o entrega del producto:

Nombre y domicilio del distribuidor donde se adquirió
el producto:

Este producto está garantizado por un año a partir de la fecha de entrega, contra cualquier defecto en su funcionamiento, así como en materiales y mano de obra empleados para su fabricación. Nuestra garantía incluye la reparación o reposición del producto y/o componentes sin cargo alguno para el cliente, incluyendo mano de obra, así como los gastos de transportación razonablemente erogados derivados del cumplimiento de este certificado.

Para hacer efectiva esta garantía deberá presentar su herramienta y esta póliza sellada por el establecimiento comercial donde se adquirió el producto, de no contar con ésta, bastará la factura de compra.

Excepciones

Esta garantía no será válida en los siguientes casos:

- Cuando el producto se hubiese utilizado en condiciones distintas a las normales;

- Cuando el producto no hubiese sido operado de acuerdo con el instructivo de uso que se acompaña;
- Cuando el producto hubiese sido alterado o reparado por personas distintas a las enlistadas al final de este certificado.

Anexo encontrará una relación de sucursales de servicio de fábrica, centros de servicio autorizados y franquiciados en la República Mexicana, donde podrá hacer efectiva su garantía y adquirir partes, refacciones y accesorios originales.

Registro en Línea

Gracias por su compra. Registre su producto ahora para:

- **SERVICIO EN GARANTÍA:** Si completa esta tarjeta, podrá obtener un servicio en garantía más eficiente, en caso de que exista un problema con su producto.
- **CONFIRMACIÓN DE PROPIEDAD:** En caso de una pérdida que cubra el seguro, como un incendio, una inundación o un robo, el registro de propiedad servirá como comprobante de compra.
- **PARA SU SEGURIDAD:** Si registra el producto, podremos comunicarnos con usted en el caso improbable que se deba enviar una notificación de seguridad conforme a la Federal Consumer Safety Act (Ley Federal de Seguridad de Productos para el Consumidor).

Registro en línea en www.dewalt.com/register.

Garantía Limitada por Tres Años

DEWALT reparará, sin cargo, cualquier falla que surja de defectos en el material o la fabricación del producto, por hasta tres años a contar de la fecha de compra. Esta garantía no cubre fallas de las piezas causadas por su desgaste normal o abuso a la herramienta. Para mayores detalles sobre la cobertura de la garantía e información acerca de reparaciones realizadas bajo garantía, visítenos en www.dewalt.com o diríjase al centro de servicio más cercano. Esta garantía no aplica a accesorios o a daños causados por reparaciones realizadas o intentadas por terceros. ESTA GARANTÍA LIMITADA SE OTORGA EN VEZ DE TODAS LAS DEMÁS, INCLUIDA LA GARANTÍA IMPLÍCITA DE COMERCIABILIDAD Y APTITUD PARA UN FIN PARTICULAR, Y EXCLUYE TODOS LOS DAÑOS INCIDENTALES O CONSECUENTES. Algunos estados no permiten limitaciones sobre la duración de una garantía implícita, o la exclusión o limitación de daños incidentales o consecuentes, así que estas limitaciones pueden no aplicarse a usted. Esta garantía le otorga derechos legales específicos, además de los cuales usted puede tener otros derechos dependiendo del estado o la provincia en que se encuentre.

Además de la garantía, las herramientas DEWALT están cubiertas por:

1 AÑO DE SERVICIO GRATUITO

DEWALT hará el mantenimiento de la herramienta y cambiará las piezas desgastadas por el uso normal gratis en cualquier momento durante el primer año después de la compra. Las piezas de desgaste de la clavadora como los muelles de retorno, las hojas de la guía y los topes no están cubiertos.

2 AÑOS DE SERVICIO GRATUITO PARA UNIDADES DE ALIMENTACIÓN DEWALT

DC9071, DC9091, DC9096, DC9182, DC9280, DC9360, DCB120, DCB127, DCB201, DCB203BT, DCB207, DCB361

3 AÑOS DE SERVICIO GRATUITO PARA UNIDADES DE ALIMENTACIÓN DEWALT

DCB200, DCB203, DCB204, DCB204BT, DCB205, DCB205BT, DCB206, DCB230, DCB606, DCB609, DCB612

NOTA: La garantía del producto quedará nula si la unidad de batería ha sido alterada de cualquier manera. DEWALT no es responsable de ninguna lesión causada por alteraciones y podría iniciar un procedimiento judicial por fraude de garantía hasta el máximo grado permisible por la ley.

GARANTÍA DE REEMBOLSO DE SU DINERO POR 90 DÍAS

Si no está completamente satisfecho con el rendimiento de su herramienta eléctrica, láser o engrapadora DEWALT por cualquier motivo, puede devolverla dentro de los 90 días a partir de la fecha de compra con un recibo para un reembolso completo, sin hacer preguntas.

AMÉRICA LATINA: Esta garantía no se aplica a los productos que se venden en América Latina. Para los productos que se venden en América Latina, debe consultar

la información de la garantía específica del país que viene en el empaque, llamar a la compañía local o visitar el sitio Web a fin de obtener esa información.

REEMPLAZO GRATUITO DE LAS ETIQUETAS DE ADVERTENCIAS: Si sus etiquetas de advertencia se vuelven ilegibles o faltan, llame al 1-800-433-9258 (1-800-4-DEWALT) para que se le reemplacen gratuitamente.

ESPECIFICACIONES

DCFS950 20 V Máx*

Solamente para propósito de México:
 Importado por: DEWALT Industrial Tool Co. S.A. de C.V.
 Avenida Antonio Dovali Jaime, # 70 Torre B Piso 9
 Colonia La Fe, Santa Fé
 Código Postal : 01210
 Delegación Alvaro Obregón
 México D.F.
 Tel. (52) 555-326-7100
 R.F.C.: BDE810626-1W7

GUÍA DE SOLUCIÓN DE PROBLEMAS

Muchos problemas comunes pueden resolverse fácilmente utilizando la siguiente tabla. Para problemas más graves o persistentes, contacte con el centro de servicio DEWALT o llame al 1-(800)-4-DEWALT.



ADVERTENCIA: Para reducir el riesgo de lesiones corporales graves, desconecte SIEMPRE la batería de la herramienta antes de todas las reparaciones.

SÍNTOMA	CAUSA	SOLUCIÓN
El motor no funciona con el activador por contacto presionado.	Gatillo bloqueado en posición de bloqueo.	Desbloquee el botón de bloqueo del gatillo
	Bloqueo de disparo sin carga activado, que impide que el activador por contacto se desplace totalmente.	Cargue más grapas en el cargador.
	La herramienta se ha parado, bloqueando el motor e impidiendo que gire.	Gire la palanca de liberación de parada en la herramienta y el mecanismo se liberará. Si el impulsor no retorna, saque la batería y empuje el impulsor manualmente hasta su posición inicial.
	La batería está caliente. (Compruebe el indicador LED para verificar estas condiciones).	Deje que se enfríe la batería o cámbiela por una batería fría.
	La herramienta está caliente. (Compruebe el indicador LED para verificar estas condiciones).	Deje que la herramienta se enfríe antes de continuar usándola.
	Activador por contacto doblado.	Consulte con un centro de servicio autorizado.
	El motor deja de funcionar después de 5 segundos.	Funcionamiento normal, suelte el activador por contacto y vuelva a presionar.
	Los terminales están sucios o dañados.	Consulte con un centro de servicio autorizado.
	Sistema electrónico interno dañado.	Consulte con un centro de servicio autorizado.
	Gatillo dañado.	Consulte con un centro de servicio autorizado.
	Batería baja de carga o dañada.	Compruebe el nivel de carga si la batería muestra el estado de carga. Cargue o cambie la batería si es necesario.

ESPAÑOL

SÍNTOMA	CAUSA	SOLUCIÓN
La herramienta no se activa (el motor funciona pero no dispara).	El bloqueo de disparo en seco se activa con sólo 5 grapas restantes en el cargador.	Cargue más grapas en el cargador para desactivar el bloqueo de disparo en seco.
	La grapa/cuchilla de inserción atascada no regresó a la posición inicial.	Retire la batería, retire la grapa atascada, suelte la palanca de liberación del ciclo, (empuje el controlador hacia arriba manualmente si es necesario) y reinserte la batería.
	Impulsor dañado.	Remplacer l'enfonceur avec le kit de remplacement ou voir un centre de réparation agréé.
	Mecanismo interno atascado.	Consulte con un centro de servicio autorizado.
El motor arranca pero genera mucho ruido.	Sistema electrónico interno dañado.	Consulte con un centro de servicio autorizado.
	La grapa atascada y el controlador están atascados en posición hacia abajo.	Use la palanca de liberación, retire las grapas atascadas y regrese el controlador manualmente si es necesario.
La hoja del impulsor sigue atascándose en la posición inferior o no viaja libremente.	Impulsor dañado.	Cambie el impulsor con el kit, o consulte con un centro de servicio autorizado.
	La grapa atascada y el controlador están atascados en posición hacia abajo.	Use la palanca de liberación, retire las grapas atascadas y regrese el controlador manualmente si es necesario.
	Residuos en la tobera.	Limpie el área de la punta y preste atención a las pequeñas piezas de grapas rotas atascadas en el carril. Consulte Liberación de Grapa Atascada .
La herramienta funciona pero no clava lo clavos totalmente.	Impulsor dañado o desgastado.	Cambie el impulsor con el kit, o consulte con un centro de servicio autorizado.
	Posición de potencia incorrecta.	Seleccione un ajuste de potencia mayor.
	Ajuste de profundidad incorrecto.	Ajuste la carátula de ajuste de profundidad sin herramientas.
	La herramienta no está aplicada firmemente a la pieza de trabajo.	Aplique la fuerza adecuada a la herramienta fijándola bien a la pieza de trabajo. Mire el manual de instrucciones.
	Longitud del material y el clavo.	Si la unidad sigue parándose (forzando la necesidad de girar la palanca de liberación de parada) elija el material y la longitud del clavo adecuados para que no sea una aplicación demasiado rigurosa.
La herramienta funciona pero no se clava ningún clavo.	Punta del impulsor dañada o desgastada.	Cambie el impulsor con el kit, o consulte con un centro de servicio autorizado.
	Mecanismo de funcionamiento dañado.	Consulte con un centro de servicio autorizado.
	Residuos en la tobera.	Limpie el área de la punta y preste atención a las pequeñas piezas de grapas rotas atascadas en el carril.
La herramienta funciona pero no se clava ningún clavo.	Residuos en el depósito alimentador.	Limpie el depósito alimentador
	Resorte del liberador del propulsor dañado.	Cambie el resorte. Consulte con un centro de servicio autorizado
	Depósito alimentador desgastado.	Cambie el depósito alimentador. Consulte con un centro de servicio autorizado.
	Impulsor dañado o desgastado.	Cambie el impulsor con el kit, o consulte con un centro de servicio autorizado.

SÍNTOMA	CAUSA	SOLUCIÓN
Grapas atascadas	Grapas incorrectos	Use sólo las grapas recomendadas. Consulte Especificaciones de grapa .
	El depósito alimentador no está bien fijado después de la anterior desobstrucción o inspección	Asegúrese de que el depósito alimentador esté bien asegurado.
	Material y longitud del clavo	Si la unidad sigue parándose (forzando la necesidad de girar la palanca de liberación de parada) elija el material y la longitud del clavo adecuados para que no sea una aplicación demasiado rigurosa.
	Residuos en la tobera	Limpié el área de la punta y preste atención a las pequeñas piezas de grapas rotas atascadas en el carril.
	Depósito alimentador desgastado	Cambie el depósito alimentador. Consulte con un centro de servicio autorizado.
	La herramienta todavía no ha hecho el rodaje	Las nuevas herramientas pueden tomar de 100-500 grapas para que las piezas se entrelacen y se desgasten juntas. Introduzca grapas más cortas durante este periodo si tiene dificultades para introducir grapas por completo.
Las grapas no encajan	Confirme que se están utilizando las grapas DEWALT.	Su engrapadora para cercas sólo es compatible con grapas DEWALT.
La grapa se introduce demasiado profundo	Ajuste de potencia demasiado alto.	Seleccione un ajuste de potencia menor.
	Ajuste de profundidad incorrecto.	Ajuste la carátula de ajuste de profundidad sin herramientas.
Dobleces de grapa	La grapa golpea un nudo en la madera.	Mueva 3" (76 mm) e intente de nuevo.

DEWALT BATTERY AND CHARGER SYSTEMS

**Chargers/Charge Time (Minutes) . Chargeurs/Durée de charge (Minutes) .
Cargadores de baterías/Tiempo de carga (Minutos)**

Battery Cat #	Output Voltage	120 Volts														12 Volts		
		DC9000	DC9310	DC9320	DCB095	DCB102	DCB103	DCB107	DCB112	DCB113	DCB114	DCB115	DCB116	DCB118	DCB132	DCB119	DW0249	DCB412
DCB609	20/60	X	X	X	X	135	135	432	270	230	X	135	X	75	270	X	X	X
DCB606	20/60	X	X	X	X	100	100	272	170	140	X	90	X	60	90	X	X	X
DCB404	40	X	X	X	X	X	X	X	X	X	90	X	30	X	X	X	X	130
DCB406	40	X	X	X	X	X	X	X	X	X	130	X	45	X	X	X	X	190
DCB407	40	X	X	X	X	X	X	X	X	X	170	X	60	X	X	X	X	235
DC9360	36	45	X	X	X	X	X	X	X	X	X	X	X	X	X	X	X	X
DCB361	36	45	X	X	X	X	X	X	X	X	X	X	X	X	X	X	X	X
DC9280	28	60	X	X	X	X	X	X	X	X	X	X	X	X	X	X	X	X
DW0242	24	X	X	X	X	X	X	X	X	X	X	X	X	X	X	X	60	X
DCB200	20	X	X	X	X	60	60	140	90	67	X	45	X	45/30**	45	90	X	X
DCB201	20	X	X	X	X	30	30	70	45	35	X	22	X	22	22	45	X	X
DCB203	20	X	X	X	X	35	35	90	60	45	X	30	X	30	30	60	X	X
DCB203BT*	20	X	X	X	X	35	35	90	60	45	X	30	X	30	30	60	X	X
DCB204	20	X	X	X	X	70	70	185	120	90	X	60	X	60/40**	60	120	X	X
DCB204BT*	20	X	X	X	X	70	70	185	120	90	X	60	X	60	60	120	X	X
DCB205	20	X	X	X	X	95	95	240	150	112	X	75	X	75/47**	75	150	X	X
DCB206	20	X	X	X	X	100	100	272	170	140	X	90	X	60	90	X	X	X
DCB207	20	X	X	X	X	30	30	60	40	30	X	22	X	22	22	X	X	X
DC9182	18	X	40	40	X	X	40	X	X	X	X	X	X	X	X	X	40	X
DCB120	12	X	X	X	X	30	30	60	45	35	X	20	X	X	X	45	X	X
DCB127	12	X	X	X	X	35	35	90	60	50	X	30	X	X	X	60	X	X
DCB080	8	X	X	X	60	X	X	X	X	X	X	X	X	X	X	X	X	X

*BT - Bluetooth® **NOTE:** The Bluetooth® word mark and logos are registered trademarks owned by the Bluetooth®, SIG, Inc. and any use of such marks by DEWALT is under license. Other trademarks and trade names are those of their respective owners.

**Battery Datecode 201536 or later.

"X" Indicates that the battery pack is not compatible with that specific charger. All charge times are approximate. Actual charge time may vary. Read the instruction manual for more specific information.

"X" indique que le bloc-piles n'est pas compatible avec ce chargeur. Les durées de charge sont approximatives; la durée de charge réelle peut varier. Lire le manuel d'utilisation pour obtenir des renseignements plus précis.

Una "X" indica que el paquete de baterías no es compatible con ese determinado cargador. El tiempo de duración de carga es aproximado; la duración de carga real puede variar. Lea el manual de instrucciones para obtener información más precisa.

* Maximum initial battery voltage (measured without a workload) is 20, 60 or 120 volts. Nominal voltage is 18, 54 or 108. (120V Max* is based on using 2 DEWALT 60V Max* lithium-ion batteries combined.)

* La tension initiale maximum du bloc-piles (mesurée à vide) est de 20, 60 ou 120 volts. La tension nominale est de 18, 54 ou 108. (120 V Max* se base sur l'utilisation combinée de 2 blocs-piles au lithium ion DEWALT de 60 V Max*.)

* El máximo voltaje inicial de la batería (medido sin carga de trabajo) es 20, 60 o 120 voltios. El voltaje nominal es de 18, 54 o 108. (120 V Máx* se basan en el uso de 2 baterías de iones de litio DEWALT de 60 V Máx* combinadas.)

DEWALT Industrial Tool Co., 701 East Joppa Road, Towson, MD 21286
(JAN19) Part No. N677190 DCFS950 Copyright © 2019 DEWALT

The following are trademarks for one or more DEWALT power tools: the yellow and black color scheme, the "D" shaped air intake grill, the array of pyramids on the handgrip, the kit box configuration, and the array of lozenge-shaped humps on the surface of the tool.