

*If you have questions or comments, contact us.  
Pour toute question ou tout commentaire, nous contacter.  
Si tiene dudas o comentarios, contáctenos.*

**1-800-4-DEWALT • [www.dewalt.com](http://www.dewalt.com)**

**INSTRUCTION MANUAL  
GUIDE D'UTILISATION  
MANUAL DE INSTRUCCIONES**

INSTRUCTIVO DE OPERACIÓN, CENTROS DE SERVICIO Y PÓLIZA DE GARANTÍA. **ADVERTENCIA:** LÉASE ESTE INSTRUCTIVO ANTES DE USAR EL PRODUCTO.

---

# DEWALT®

---

**DCF6201**

**Collated Magazine Attachment for Cordless Drywall Screwgun**

**Chargeur de vis autoforeuses en bande pour visseuses cloisons sèches, sans fil**

**Accesorio de depósito para tiras de tornillos de pistola atornilladora inalámbrica para muros secos**



Page dimensions: 8.5 x 5.5

### Definitions: Safety Guidelines

The definitions below describe the level of severity for each signal word. Please read the manual and pay attention to these symbols.

**⚠ DANGER:** Indicates an imminently hazardous situation which, if not avoided, **will** result in **death or serious injury**.

**⚠ WARNING:** Indicates a potentially hazardous situation which, if not avoided, **could** result in **death or serious injury**.

**⚠ CAUTION:** Indicates a potentially hazardous situation which, if not avoided, **may** result in **minor or moderate injury**.

**NOTICE:** Indicates a practice **not related to personal injury** which, if not avoided, **may** result in **property damage**.

IF YOU HAVE ANY QUESTIONS OR COMMENTS ABOUT THIS OR ANY DEWALT TOOL, CALL US TOLL FREE AT: **1-800-4-DEWALT (1-800-433-9258)**.



**WARNING:** To reduce the risk of injury, read the instruction manual.

### General Power Tool Safety Warnings



**WARNING! Read all safety warnings and all instructions.** Failure to follow the warnings and instructions may result in electric shock, fire and/or serious injury.



**WARNING! Read all safety warnings and all instructions provided with your screwgun (DCF620 or DCF621).** Failure to follow the warnings and instructions may result in electric shock, fire and/or serious injury.

## SAVE ALL WARNINGS AND INSTRUCTIONS FOR FUTURE REFERENCE

### Additional Safety Rules for Collated Magazine Attachment

- The collated magazine is to only be used with the DEWALT DCF620 or DCF621 cordless screwgun.
- Observe all operating instructions and safety regulations contained in the manual for the screwgun the magazine accessory is used with.
- Before use, ensure that the magazine accessory is properly attached to the tool.
- **Avoid body contact with earthed or grounded surfaces such as pipes, radiators, ranges and refrigerators.** There is an increased risk of electric shock if your body is earthed or grounded.
- **Disconnect the plug from the power source and/or the battery pack from the power tool before making any adjustments, changing accessories, or storing power tools.** Such preventive safety measures reduce the risk of starting the power tool accidentally.
- When driving screws, never reach into the magazine accessory. Keep hands clear of the advancing mechanism and the spot where the screw is being driven.
- **DO NOT** use the magazine accessory as a gripping surface.
- Hold power tool by insulated gripping surfaces, when performing an operation where the fastener may contact hidden wiring. Fasteners contacting a "live" wire may make exposed metal parts of the power tool "live" and could give the operator an electric shock.
- Use only screw strips that are suitable to this magazine. Only insert screw strips when the screwdriver power is off and the trigger is locked.

- **Air vents often cover moving parts and should be avoided.** Loose clothes, jewelry or long hair can be caught in moving parts.

**⚠ WARNING: ALWAYS** use safety glasses. Everyday eyeglasses are NOT safety glasses. Also use face or dust mask if cutting operation is dusty. ALWAYS WEAR CERTIFIED SAFETY EQUIPMENT:

- ANSI Z87.1 eye protection (CAN/CSA Z94.3),
- ANSI S12.6 (S3.19) hearing protection,
- NIOSH/OSHA/MSHA respiratory protection.

**⚠ WARNING:** Some dust created by power sanding, sawing, grinding, drilling, and other construction activities contains chemicals known to the State of California to cause cancer, birth defects or other reproductive harm. Some examples of these chemicals are:

- lead from lead-based paints,
- crystalline silica from bricks and cement and other masonry products, and
- arsenic and chromium from chemically-treated lumber.

Your risk from these exposures varies, depending on how often you do this type of work. To reduce your exposure to these chemicals: work in a well ventilated area, and work with approved safety equipment, such as those dust masks that are specially designed to filter out microscopic particles.

- **Avoid prolonged contact with dust from power sanding, sawing, grinding, drilling, and other construction activities. Wear protective clothing and wash exposed areas with soap and water.** Allowing dust to get into your mouth, eyes, or lay on the skin may promote absorption of harmful chemicals.

**⚠ WARNING:** Use of this tool can generate and/or disperse dust, which may cause serious and permanent respiratory or other injury. Always use NIOSH/OSHA approved respiratory protection appropriate for the dust exposure. Direct particles away from face and body.

**⚠ WARNING: Always wear proper personal hearing protection that conforms to ANSI S12.6 (S3.19) during use.** Under some conditions and duration of use, noise from this product may contribute to hearing loss.

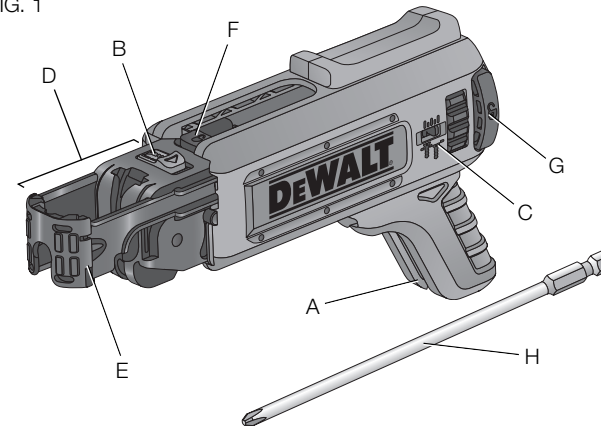
## SAVE THESE INSTRUCTIONS FOR FUTURE USE

### COMPONENTS (Fig. 1)

**⚠ WARNING:** Never modify the magazine or any part of it. Damage or personal injury could result.

- |                            |                             |
|----------------------------|-----------------------------|
| A. Screw guide             | E. Shoe                     |
| B. Screw length adjustment | F. Shoe removal button      |
| C. Fine depth adjustment   | G. Release buttons          |
| D. Advancing mechanism     | H. Collated screwdriver bit |

FIG. 1



### INTENDED USE

This collated drywall magazine attachment is designed to be used with the DCF620 or DCF621 DeWALT cordless screwgun for professional driving of collated screws.

**DO NOT** use under wet conditions or in presence of flammable liquids or gases.

This collated drywall magazine attachment is a professional power tool. **DO NOT** let children come into contact with the tool. Supervision is required when inexperienced operators use this tool.

### ASSEMBLY AND ADJUSTMENTS

**⚠ WARNING:** To reduce the risk of injury, turn unit off and disconnect it from power source before installing and removing accessories, before adjusting or when making repairs. An accidental start-up can cause injury.

### Fitting the Collated Screwdriver Bit (Fig. 1, 2)

**NOTICE:** For proper operation only use DEWALT collated screwdriver bit (catalog #: DWA6PHC2).

1. Remove the nose cone from the screwgun.
2. To remove the bit and bit holder:
  - a. Grab the bit holder.
  - b. Push it into the gear case depressing the sleeve.
  - c. Rotate the bit holder until the clutch engages.
  - d. While holding the sleeve depressed, pull the bit holder out.

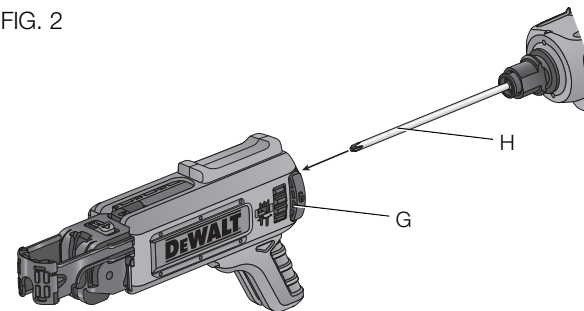
**NOTE:** Refer to and follow all instructions on changing bits and holders in your screwgun manual.

3. Push and rotate the provided collated screwdriving bit (H) into the spindle until ball lock snaps in groove of the bit shank.

### Installing and Removing the Magazine from the Screwgun (Fig. 2)

With the the nose cone removed and provided driver bit (H) installed, push the magazine over the bit onto the screw driver until the magazine clicks into place and ensure that it does not disengage.

FIG. 2



**NOTE:** make sure the screw driver control lever is set to forward rotation before use.

To remove the magazine, press and hold the release buttons (G) on both sides of the accessory and pull accessory off the screwgun.

### OPERATION

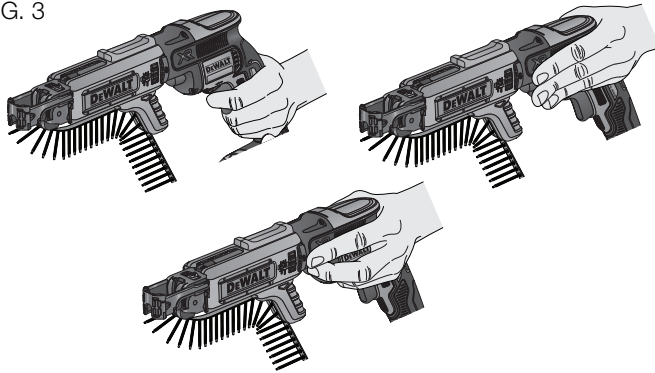
**⚠ WARNING:** To reduce the risk of injury, turn unit off and disconnect it from power source before installing and removing accessories, before adjusting or when making repairs. An accidental start-up can cause injury.

### Proper Hand Position (Fig. 3)

**⚠ WARNING:** To reduce the risk of serious personal injury, **ALWAYS** use proper hand positions as shown in Figure 3.

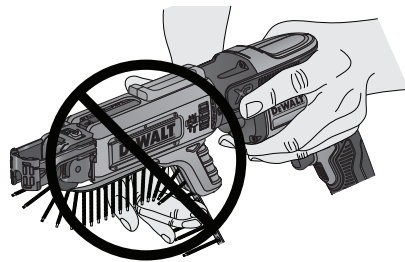
Proper hand position requires one hand on the rear grip. Take care to not block the air vents on the screwgun.

FIG. 3



**⚠ CAUTION: NEVER** grip the collated attachment, use it as a handle or touch the screw strips while in operation as shown in Figure 4.

FIG. 4



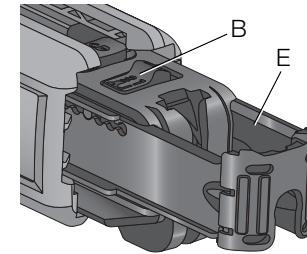
### Setting Magazine Screw Length (Fig. 5)

This magazine is designed for 1"-2" (20-50 mm) screw lengths. Failure to set the correct screw length can cause screws to not be driven accurately which can result in the failure to advance to the next screw or screws not being driven properly. The shoe has marked specific slots for each of the most common screws, however this attachment can still drive any size screw between 1"-2" (20-50 mm). To accommodate for less common screws adjust to the next longest slot.

**⚠ CAUTION:** Do not adjust while a screw strip is in the magazine.

1. Slide screw length adjustment tab (B) to the left.
2. Holding the screw length adjustment tab in place, adjust the shoe (E) to the desired length.
3. Release the screw length adjustment tab. Make sure that the locking pin has fully returned and is in the correct position.

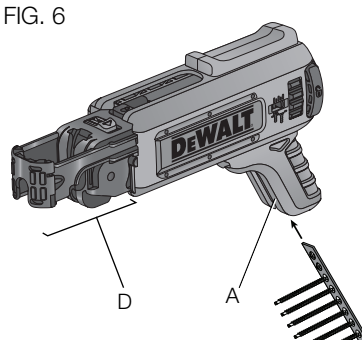
FIG. 5



## Inserting Collated Screw Strips (Fig. 6)

**NOTICE:** Use only screw strips that are suitable to this magazine. Only insert screw strips when the screwdriver power is off and the trigger is locked.

Proper use of collated strips will reduce the risk of injury, reduce jams and prevents screws from damaging work piece. For best performance use new, undamaged strips free of debris.



1. Take a collated strip, holding the plastic portion, and feed from the bottom of the screw guide (A) and into the bottom of the advancing mechanism (D).
2. Continue feeding the strip until the first screw is 1 slot below the driver bit.

## Setting Screw Depth (Fig. 1, 7)

Turn fine depth adjustment (C) counterclockwise (as viewed from behind the tool) to reduce the screw drive depth into the work piece. Turn the fine depth adjustment (C) clockwise to increase the screw drive depth into the work piece.

There is a gauge next to the adjustment wheel which displays the screw depth setting. When the slider (L) of the gauge is furthest back from the nose of the tool, as in Fig. 7B, the screw driving depth is set to the deepest possible position.

When the slider is closest to the nose of the tool, as in Fig. 7A, the screw driving depth is set to proudest (most raised) position.

FIG. 7A

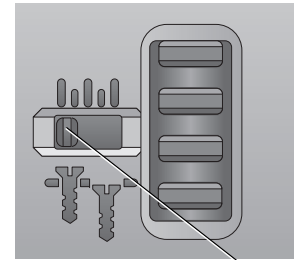
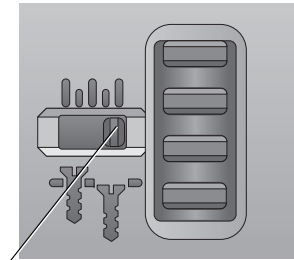


FIG. 7B



## Driving Screws (Fig. 1)

1. Before driving screws, ensure screwgun drive direction is switched to forward position.
- NOTE:** Always hold the screwgun perpendicular to work piece.
3. With the magazine installed on the screwgun, position shoe (E) on work piece in location where screw is to be driven.
4. Switch the screwgun on by holding the trigger in the on position. Continue to hold trigger or engage the trigger lock-on.
5. Apply pressure against work piece. This will advance screw into alignment with screwdriver bit.
6. Continue to apply consistent pressure until screw is driven in completely and screwgun clutches disengage.
7. Lift screwgun from workpiece.

The magazine is designed to drive screws completely into work piece only. Once screwgun is lifted, adjustments to screw must be made by first removing magazine.

### **Rotating the Collated Attachment**

This attachment has the ability to rotate without being taken off the drywall screwgun. To rotate, grip the top portion with one hand, while holding the drywall screwgun with the other then rotate. An audible "click" indicates the magazine is in each of the available positions.

### **MAINTENANCE**

**⚠ WARNING:** *To reduce the risk of injury, turn unit off and disconnect it from power source before installing and removing accessories, before adjusting or when making repairs. An accidental start-up can cause injury.*

### **Cleaning**

**⚠ WARNING:** *Blow dirt and dust out of all air vents with clean, dry air at least once a week. To minimize the risk of eye injury, always wear ANSI Z87.1 approved eye protection when performing this.*

**⚠ WARNING:** *Never use solvents or other harsh chemicals for cleaning the non-metallic parts of the tool. These chemicals may weaken the plastic materials used in these parts. Use a cloth dampened only with water and mild soap. Never let any liquid get inside the tool; never immerse any part of the tool into a liquid.*

For best performance regularly clean magazine by:

1. Remove advancing mechanism from collated magazine (see **Removing and Installing the Advancing Mechanism** instructions).
2. Remove shoe from advancing mechanism.
3. Remove return spring from magazine.
4. Submerge parts in soapy water for 10 minutes.

5. Remove and thoroughly rinse parts.
6. Allow parts to air dry.
7. Reassemble and continue use.

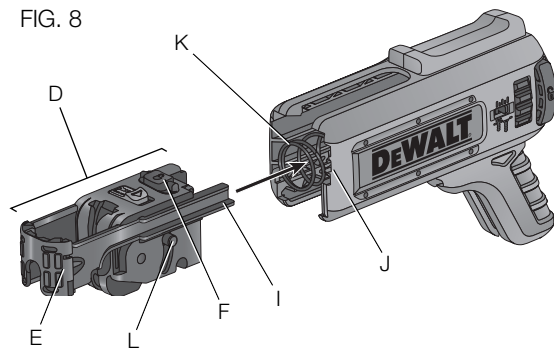
### **REMOVING AND INSTALLING THE ADVANCING MECHANISM (FIG. 8)**

**⚠ CAUTION:** *The advancing mechanism is spring loaded. Two hands must be used to remove the advancing mechanism. The spring may eject from the mechanism.*

#### **To remove advancing mechanism:**

1. Remove collated magazine attachment from screwdriver.
2. Slightly depress advancing mechanism (D) by pushing on the shoe (E) with one hand.
3. Keeping pressure on the shoe (E) with the other hand depress service button (F).
4. Slowly release pressure from the shoe (E) until the advancing mechanism is out of the collated magazine.





**To install the advancing mechanism:**

1. With the collated magazine attachment removed from screwgun, align the tabs (I) on the shoe with the slots (J) in the collated housing.
2. Push in slightly, then align the spring (K) with the pocket in the advancing mechanism.
3. Push advancing mechanism in until you hear the “click” of the service button.

**NOTE:** The lever arm (L) should be in the up position (as shown in figure 8) before the advancing mechanism is installed. If in the down position, the advancing mechanism will be locked in place.

4. Cycle the advancing mechanism several times by hand to ensure proper function before installing it onto your screwgun for use.

**Accessories**

**⚠ WARNING:** Since accessories, other than those offered by DEWALT, have not been tested with this product, use of such

accessories with this tool could be hazardous. To reduce the risk of injury, only DEWALT recommended accessories should be used with this product.

Recommended accessories for use with your tool are available at extra cost from your local dealer or authorized service center. If you need assistance in locating any accessory, please contact DEWALT Industrial Tool Co., 701 East Joppa Road, Towson, MD 21286, call 1-800-4-DEWALT (1-800-433-9258) or visit our website: [www.dewalt.com](http://www.dewalt.com).

**Repairs**

To assure product SAFETY and RELIABILITY, repairs, maintenance and adjustment (including brush inspection and replacement) should be performed by a DEWALT factory service center, a DEWALT authorized service center or other qualified service personnel. Always use identical replacement parts.

**Register Online**

Thank you for your purchase. Register your product now for:

- **WARRANTY SERVICE:** Registering your product will help you obtain more efficient warranty service in case there is a problem with your product.
- **CONFIRMATION OF OWNERSHIP:** In case of an insurance loss, such as fire, flood or theft, your registration of ownership will serve as your proof of purchase.
- **FOR YOUR SAFETY:** Registering your product will allow us to contact you in the unlikely event a safety notification is required under the Federal Consumer Safety Act.

Register online at [www.dewalt.com/register](http://www.dewalt.com/register).

### Three Year Limited Warranty

DEWALT will repair, without charge, any defects due to faulty materials or workmanship for three years from the date of purchase. This warranty does not cover part failure due to normal wear or tool abuse. For further detail of warranty coverage and warranty repair information, visit [www.dewalt.com](http://www.dewalt.com) or call 1-800-4-DEWALT (1-800-433-9258). This warranty does not apply to accessories or damage caused where repairs have been made or attempted by others. This warranty gives you specific legal rights and you may have other rights which vary in certain states or provinces.

In addition to the warranty, DEWALT tools are covered by our:

#### 1 YEAR FREE SERVICE

DEWALT will maintain the tool and replace worn parts caused by normal use, for free, any time during the first year after purchase.

#### 90 DAY MONEY BACK GUARANTEE

If you are not completely satisfied with the performance of your DEWALT Power Tool, Laser, or Nailer for any reason, you can return it within 90 days from the date of purchase with a receipt for a full refund – no questions asked.

**LATIN AMERICA:** This warranty does not apply to products sold in Latin America. For products sold in Latin America, see country specific warranty information contained in the packaging, call the local company or see website for warranty information.

**FREE WARNING LABEL REPLACEMENT:** If your warning labels become illegible or are missing, call 1-800-4-DEWALT (1-800-433-9258) for a free replacement.

#### DCF6201 COLLATED ATTACHMENT

**⚠ WARNING** TO REDUCE THE RISK OF INJURY, USER MUST READ INSTRUCTION MANUAL. DO NOT USE AS A GRIPPING SURFACE.

**⚠ ADVERTENCIA/AVERTISSEMENT** PARA EL MANEJO SEGURO LEA EL MANUAL DE INSTRUCCIONES. NO UTILICE EL SUPERFICIE DE AGARRE. / À TITRE PRÉVENTIF, LIRE LE GUIDE. NE PAS UTILISER COMME SURFACE DE PRISE.

DEWALT INDUSTRIAL TOOL CO., TOWSON MD, 21286 USA  
FOR SERVICE INFORMATION, CALL 1-800-4-DEWALT [www.DeWALT.com](http://www.DeWALT.com)

### **Définitions : lignes directrices en matière de sécurité**

Les définitions ci-dessous décrivent le niveau de danger pour chaque mot-indicateur employé. Lire le mode d'emploi et porter une attention particulière à ces symboles.

**⚠ DANGER** : indique une situation dangereuse imminente qui, si elle n'est pas évitée, **entraînera la mort ou des blessures graves**.

**⚠ AVERTISSEMENT** : indique une situation potentiellement dangereuse qui, si elle n'est pas évitée, **pourrait entraîner la mort ou des blessures graves**.

**⚠ ATTENTION** : indique une situation potentiellement dangereuse qui, si elle n'est pas évitée, **pourrait entraîner des blessures légères ou modérées**.

**AVIS** : indique une pratique ne posant **aucun risque de dommages corporels** mais qui par contre, si rien n'est fait pour l'éviter, **pourrait poser des risques de dommages matériels**.

POUR TOUTE QUESTION OU REMARQUE AU SUJET DE CET OUTIL OU DE TOUT AUTRE OUTIL DEWALT, COMPOSEZ LE NUMÉRO SANS FRAIS : **1-800-4-DEWALT (1-800-433-9258)**.



**AVERTISSEMENT** : afin de réduire le risque de blessures, lire le mode d'emploi de l'outil.

### **Avertissements de sécurité généraux pour les outils électriques**



**AVERTISSEMENT ! Lire tous les avertissements de sécurité et toutes les directives.** Le non-respect des avertissements et des directives pourrait se solder par un choc électrique, un incendie et/ou une blessure grave.



**AVERTISSEMENT ! Lire toutes les consignes de sécurité et directives fournies avec votre visseuse (DFC620 ou DCF621).** Tout manquement aux avertissements et consignes pose des risques de décharges électriques, d'incendie et/ou de blessures graves.

### **CONSERVER TOUTES CES DIRECTIVES ET CONSIGNES À TITRE DE RÉFÉRENCE**

#### **Règles de sécurité additionnelles propres aux chargeurs de vis en bande**

- Ce chargeur de vis en bande ne peut être utilisé qu'avec les visseuses sans fil DEWALT, DCF620 ou DCF621.
- Observer toutes les instructions d'utilisation et normes de sécurité contenues dans le guide d'utilisation de la visseuse avec laquelle le chargeur est utilisé.
- Avant toute utilisation, s'assurer que le chargeur est correctement rattaché à l'outil.
- **Éviter tout contact corporel avec des éléments mis à la terre comme tuyaux, radiateurs, cuisinières ou réfrigérateurs.** Les risques de chocs électriques augmentent lorsque le corps est mis à la terre.
- **Débrancher la fiche du secteur et/ou le bloc-piles de l'outil électrique avant de faire tout réglage ou changement**

**d'accessoire, ou avant de ranger ce dernier.** Ces mesures préventives réduisent les risques de démarrage accidentel de l'appareil.

- Lors de l'utilisation de la visseuse, ne jamais mettre les doigts à l'intérieur du chargeur. Maintenir les mains à l'écart du mécanisme d'avancée et de l'endroit où la vis sera enfoncée.
- **NE PAS UTILISER** le chargeur comme surface de prise.
- Tenir l'outil électrique par les surfaces isolées prévues à cet effet pendant toute utilisation où l'attache pourrait entrer en contact avec des fils électriques cachés. Tout contact par ces attaches avec un fil sous tension mettra les parties métalliques exposées de l'outil sous tension et électrocutera l'utilisateur.
- Utiliser exclusivement des bandes de vis conçues pour ce chargeur. N'insérer les bandes de vis que lorsque la visseuse est hors secteur avec sa gâchette verrouillée.
- **Prendre des précautions à proximité des événements, car ils cachent des pièces mobiles.** Vêtements amples, bijoux ou cheveux longs risquent de rester coincés dans ces pièces mobiles.

**⚠ AVERTISSEMENT :** porter **SYSTEMATIQUÉMENT** des lunettes de protection. Les lunettes courantes NE sont PAS des lunettes de protection. Utiliser aussi un masque antipoussières si la découpe doit en produire beaucoup. **PORTER SYSTEMATIQUÉMENT UN ÉQUIPEMENT DE SÉCURITÉ HOMOLOGUÉ :**

- Protection oculaire ANSI Z87.1 (CAN/CSA Z94.3) ;
- Protection auditive ANSI S12.6 (S3.19) ;
- Protection des voies respiratoires NIOSH/OSHA/MSHA.

**⚠ AVERTISSEMENT :** les scies, meules, ponceuses, perceuses ou autres outils de construction peuvent produire des poussières contenant des produits chimiques reconnus par l'État californien pour causer cancers, malformations congénitales ou être nocifs au système reproducteur. Parmi ces produits chimiques, on retrouve :

- Le plomb dans les peintures à base de plomb ;
- La silice cristallisée dans les briques et le ciment, ou autres produits de maçonnerie ; et
- L'arsenic et le chrome dans le bois ayant subi un traitement chimique.

Le risque associé à de telles expositions varie selon la fréquence à laquelle on effectue ces travaux. Pour réduire toute exposition à ces produits : travailler dans un endroit bien aéré, en utilisant du matériel de sécurité homologué, tel un masque antipoussières spécialement conçu pour filtrer les particules microscopiques.

- **Limiter toute exposition prolongée avec les poussières provenant du ponçage, sciage, meulage, perçage ou toute autre activité de construction. Porter des vêtements de protection et nettoyer à l'eau savonneuse les parties du corps exposées.** Le fait de laisser la poussière pénétrer dans la bouche, les yeux ou la peau peut favoriser l'absorption de produits chimiques dangereux.

**⚠ AVERTISSEMENT :** cet outil peut produire et/ou répandre de la poussière susceptible de causer des dommages sérieux et permanents au système respiratoire. Utiliser systématiquement un appareil de protection des voies respiratoires homologué par le NIOSH ou l'OSHA. Diriger les particules dans le sens opposé au visage et au corps.

**⚠ AVERTISSEMENT :** pendant l'utilisation, porter systématiquement une protection auditive individuelle adéquate homologuée ANSI S12.6 (S3.19). Sous certaines conditions et suivant la durée d'utilisation, le bruit émanant de ce produit pourrait contribuer à une perte de l'acuité auditive.

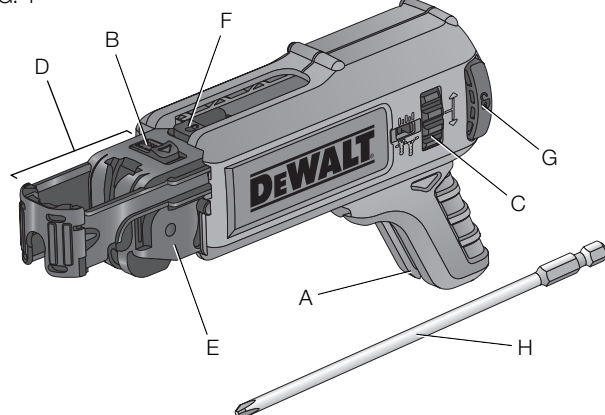
**CONSERVER CES CONSIGNES POUR  
UTILISATION ULTÉRIEURE**

## DESCRIPTION (Fig. 1)

**⚠ AVERTISSEMENT :** ne jamais modifier le chargeur ni aucun de ses composants, car cela pose des risques de dommages corporels ou matériels.

- |  |                                  |
|--|----------------------------------|
| A. Guide de bande                        | E. Butée                         |
| B. Réglage de longueur de vis            | F. Bouton de retrait de la butée |
| C. Réglage de précision de la profondeur | G. Boutons de libération         |
| D. Mécanisme d'avancée                   | H. Embout pour vis en bande      |

FIG. 1



## USAGE PRÉVU

Le chargeur de vis autoforeuses en bande a été conçu pour être utilisé avec les visseuses sans fil DEWALT, DCF620 ou DCF621 pour le vissage professionnel de vis en bande.

**NE PAS** l'utiliser en milieu ambiant humide ou en présence de liquides ou de gaz inflammables.

Le chargeur de vis autoforeuses en bande est un outil électrique de professionnel. **NE PAS** le laisser à la portée des enfants. Une supervision est nécessaire auprès de tout utilisateur non expérimenté.

## ASSEMBLAGE ET RÉGLAGES

**⚠ AVERTISSEMENT :** pour réduire tout risque de dommages corporels, arrêter et débrancher l'appareil du secteur avant d'installer ou de retirer tout accessoire, avant tout réglage ou pour faire toute réparation. Tout démarrage accidentel comporte des risques de dommages corporels.

### Installation de l'embout pour vis en bande (Fig. 1, 2)

**AVIS :** pour un fonctionnement correct de l'outil, utiliser exclusivement un embout pour vis en bande DEWALT (n° de catalogue DWA6PHC2).

1. Retirez la coiffe de la visseuse.
2. Pour retirer l'embout et le porte-embout :
  - a. Attrapez le porte-embout.
  - b. Repoussez-le dans le carter d'engrenage pour appuyer sur le manchon.
  - c. Tournez le porte-embout jusqu'à ce que l'embrayage s'enclenche.
  - d. Tout en maintenant le manchon appuyé, retirez le porte-embout.

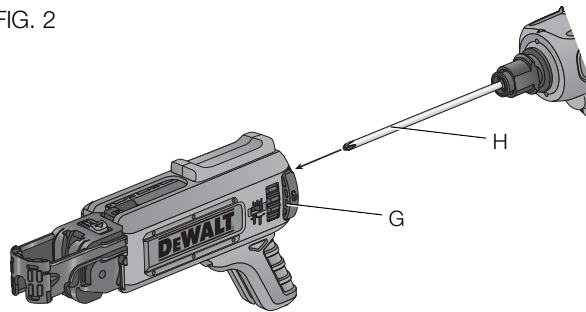
**REMARQUE :** se reporter et suivre toutes les instructions quant au changement d'embout et porte-embout du guide d'utilisation de votre visseuse.

3. Poussez et tournez le nouvel embout pour vis à bande (H) sur la broche jusqu'à ce que la bille de verrouillage s'enclenche dans l'orifice de la tige de l'embout.

### Installation et retrait du chargeur de la visseuse (Fig. 2)

Une fois la coiffe retirée et l'embout fourni (H) installé, poussez le chargeur dessus l'embout sur la visseuse jusqu'à ce qu'il s'enclenche en place. Assurez-vous qu'il ne se dégagera pas.

FIG. 2



**REMARQUE :** assurez-vous que le levier de commande de la visseuse est en position de marche avant, avant toute utilisation.

Pour retirer le chargeur, maintenez appuyés les boutons de libération (G) de chaque côté de l'accessoire puis tirez-le hors de la visseuse.

### UTILISATION

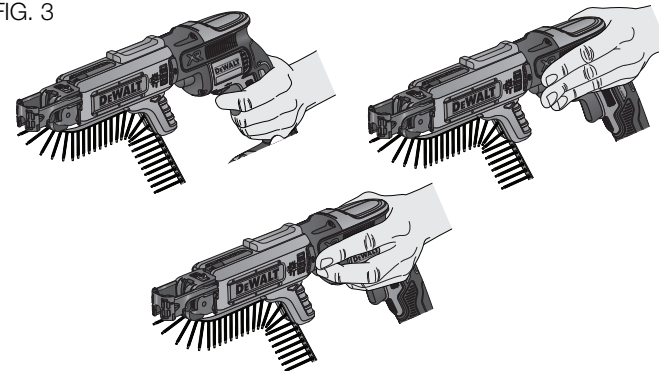
**⚠AVERTISSEMENT :** pour réduire tout risque de dommages corporels, arrêter et débrancher l'appareil du secteur avant d'installer ou de retirer tout accessoire, avant tout réglage ou pour faire toute réparation. Tout démarrage accidentel comporte des risques de dommages corporels.

### Position correcte des mains (Fig. 3)

**⚠AVERTISSEMENT :** pour réduire tout risque de dommages corporels graves, utiliser **SYSTÉMATIQUEMENT** la position correcte des mains illustrée en figure 3.

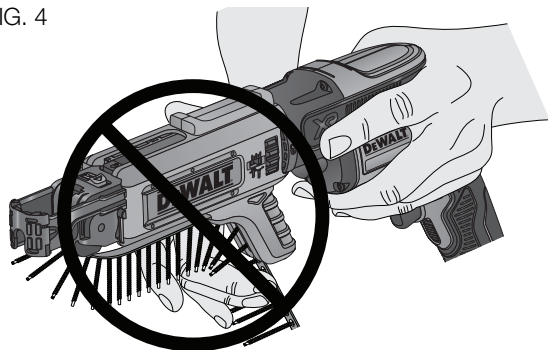
La position correcte des mains requiert une main sur la poignée arrière. Attention à ne pas bloquer les orifices d'aération de la visseuse.

FIG. 3



**⚠ATTENTION :** NE JAMAIS agripper le chargeur de vis en bande, l'utiliser comme poignée ou toucher les bandes de vis pendant l'utilisation, comme illustré en figure 4.

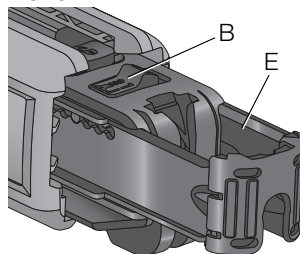
FIG. 4



### Réglage de la longueur de vis du chargeur (Fig. 5)

Ce chargeur a été conçu pour des vis de 25 à 57 mm (1 à 2 po) de long. Le fait de charger des vis n'ayant pas la bonne longueur pourra faire qu'elles ne seront pas enfoncées avec précision, ce qui pourra faire que la/les vis suivantes ne seront ni avancées ni enfoncées correctement. La butée possède des repères correspondant à la plupart des vis les plus communes. Cependant cet accessoire pourra enfoncer toute taille de vis entre 25 et 57 mm (1 et 2 po). Pour régler la visseuse sur des vis moins communes, réglez-la sur le repère de la longueur tout de suite supérieure.

FIG. 5



**⚠ATTENTION :** ne pas faire ce réglage alors que la bande de vis est dans le chargeur.

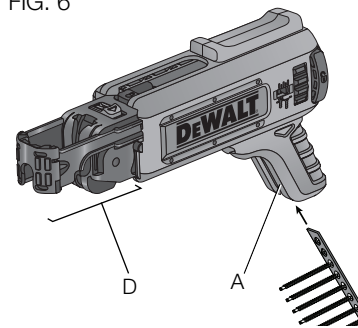
1. Poussez la languette du réglage de longueur de vis (B) vers la gauche.
2. Tout en maintenant la languette du réglage de longueur de vis en place, réglez la butée (E) sur la longueur désirée.
3. Relâchez la languette du réglage de longueur de vis. Assurez-vous que la goupille de verrouillage s'est remise complètement en place et dans la bonne position.

### Insertion des bandes de vis (Fig. 6)

**AVIS :** utiliser exclusivement des bandes de vis conçues pour ce chargeur. N'insérer les bandes de vis que lorsque la visseuse est hors secteur avec sa gâchette verrouillée.

L'utilisation correcte des FIG. 6

bandes de vis réduira les risques de dommages corporels, l'enrayage, et préviendra les dommages à la pièce à travailler. Pour optimiser les performances, utilisez des bandes neuves, en parfait état, nettes et propres.



1. Prenez une bande de vis, en l'attrapant par la portion plastique, et alimentez la partie inférieure du mécanisme d'avancée (D) par la partie inférieure du guide de bande (A).
2. Continuez d'alimenter la bande jusqu'à ce que la première vis soit dans le premier interstice sous l'embout de vissage.



### Réglage de la profondeur de vis (Fig. 1)

Ajustez le réglage de précision de la profondeur (C) vers la gauche (alors que l'on regarde l'outil de l'arrière) pour réduire la profondeur d'enfoncement de la vis dans la pièce.

Tournez le réglage de précision de la profondeur (C) vers la droite pour augmenter la profondeur de l'enfoncement de la vis dans la pièce.

Il y a un gabarit à côté de la molette de réglage qui affiche le réglage de profondeur des vis. Lorsque la glissière (L) du gabarit est le plus à l'arrière par rapport au nez de l'outil, comme illustré en figure 7B, la profondeur de pénétration de la vis est réglée sur son maximum.

Lorsque la glissière du gabarit est le plus près du nez de l'outil, comme illustré en figure 7A, la profondeur de pénétration de la vis est à son minimum (position la plus haute).

FIG. 7A

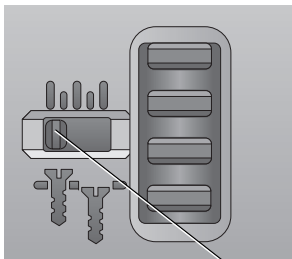
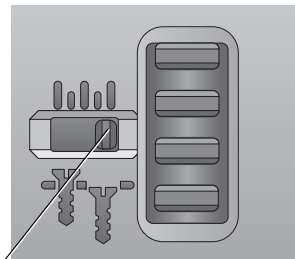


FIG. 7B



### Vissage (Fig. 1)

1. Avant de commencer à visser, assurez-vous que la direction de vissage de la visseuse est en marche avant.

**REMARQUE :** maintenir systématiquement la visseuse perpendiculairement à la pièce à travailler.

3. Alors que le chargeur est installé sur la visseuse, positionnez la butée (E) contre la pièce à travailler à l'endroit où la vis doit être enfoncée.
4. Démarrez la visseuse en maintenant la gâchette sur la position de marche. Continuez de la maintenir ou activez le verrouillage de gâchette.
5. Appliquez une certaine pression sur la pièce. Cela fera avancer la vis dans l'alignement de l'embout de tournevis.
6. Continuez à appliquer une pression constante jusqu'à ce que la vis soit complètement enfoncée et que l'embrayage de la visseuse débraye.
7. Retirez la visseuse de la pièce.

Le chargeur a été conçu seulement pour enfoncer les vis complètement dans la pièce à travailler. Une fois la visseuse relevée, le réglage de la vis peut être fait en tirant tout d'abord le chargeur.

### Rotation du chargeur de vis en bande

Cet accessoire a la capacité d'être tourné sans avoir à être retiré de la visseuse pour vis autoforeuses. Pour le tourner, attrapez sa portion supérieure d'une main, tout en maintenant la visseuse pour vis autoforeuses de l'autre, puis tournez. Un « clic » se fera entendre chaque fois que le chargeur se trouvera dans l'une des positions disponibles.

### MAINTENANCE

**⚠AVERTISSEMENT :** pour réduire le risque de blessures, éteindre l'appareil et le débrancher avant d'installer ou de retirer tout accessoire et avant d'effectuer des réglages ou des réparations. Un démarrage accidentel peut provoquer des blessures.



## Nettoyage

**⚠AVERTISSEMENT :** enlever les saletés et la poussière hors des événements au moyen d'air comprimé propre et sec, au moins une fois par semaine. Pour minimiser le risque de blessure aux yeux, toujours porter une protection oculaire conforme à la norme ANSI Z87.1 lors du nettoyage.

**⚠AVERTISSEMENT :** ne jamais utiliser de solvants ni d'autres produits chimiques puissants pour nettoyer les pièces non métalliques de l'outil. Ces produits chimiques peuvent affaiblir les matériaux de plastique utilisés dans ces pièces. Utiliser un chiffon humecté uniquement d'eau et de savon doux. Ne jamais laisser de liquide pénétrer dans l'outil et n'immerger aucune partie de l'outil dans un liquide.

Pour optimiser les performances, nettoyez le chargeur comme suit :

1. Retirez le mécanisme d'avancée du chargeur de vis en bande (reportez-vous aux instructions de la section **Retrait et installation du mécanisme d'avancée**).
2. Retirez la butée du mécanisme d'avancée.
3. Retirez le ressort de rappel du chargeur.
4. Trempez les pièces dans de l'eau savonneuse une dizaine de minutes.
5. Retirez-les et rincez-les soigneusement.
6. Laissez les pièces sécher à l'air libre.
7. Réassemblez l'ensemble et reprenez l'utilisation.

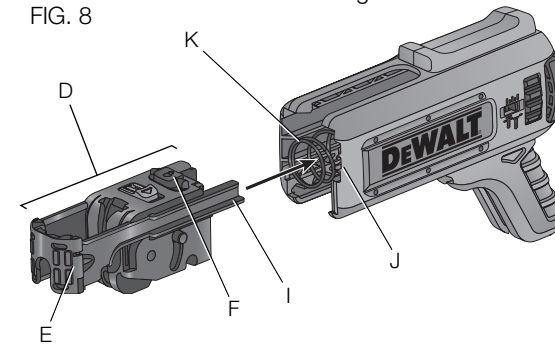
## RETRAIT ET INSTALLATION DU MÉCANISME D'AVANCÉE (Fig. 8)

**⚠ATTENTION :** le mécanisme d'avancée est tendu par un ressort. Il est nécessaire d'utiliser les deux mains pour le retirer. Le ressort pourrait être éjecté du mécanisme.

### Pour retirer le mécanisme d'avancée :

1. Retirez le chargeur de vis en bande de la visseuse.
2. Appuyez légèrement sur le mécanisme d'avancée (D) en poussant sur la butée (E) avec une main.
3. En maintenant la pression sur la butée (E), appuyez de l'autre main sur le bouton de retrait de la butée (F)
4. Relâchez lentement la pression sur la butée (E) jusqu'à ce que le mécanisme d'avancée sorte du chargeur de vis en bande.

FIG. 8



### Pour installer le mécanisme d'avancée :

1. Alors que le chargeur de vis en bande a été retiré de la visseuse, alignez les pattes (I) sur la butée avec les indentations (J) sur le boîtier du chargeur.
2. Poussez légèrement puis alignez le ressort (K) sur l'orifice du mécanisme d'avancée.
3. Poussez le mécanisme d'avancée jusqu'à ce que vous entendiez un clic provenant du bouton de retrait de la butée.

**REMARQUE :** le levier (L) devrait se trouver en position haute (comme illustré en figure 8) avant l'installation du mécanisme d'avancée. En position basse, le mécanisme d'avancée est verrouillé en place.

4. Activez plusieurs fois le mécanisme d'avancée manuellement pour vous assurer de son bon fonctionnement avant de le réinstaller sur votre visseuse pour l'utiliser.

### Accessoires

**⚠ AVERTISSEMENT :** *puisque les accessoires autres que ceux offerts par DEWALT n'ont pas été testés avec ce produit, leur utilisation pourrait s'avérer dangereuse. Pour réduire le risque de blessures, utiliser exclusivement les accessoires DEWALT recommandés avec le présent produit.*

Les accessoires recommandés pour cet outil sont vendus séparément au centre de service de votre région. Pour obtenir de l'aide concernant l'achat d'un accessoire, communiquer avec DEWALT Industrial Tool Co., 701 East Joppa Road, Towson, MD 21286 aux États-Unis; composer le 1 800 433-9258 (1 800 4-DEWALT) ou visiter notre site Web : [www.dewalt.com](http://www.dewalt.com).

### Réparations

Pour assurer la SÉCURITÉ et la FIABILITÉ du produit, les réparations, l'entretien et les réglages doivent être réalisés (cela comprend l'inspection et le remplacement du balai) par un centre de réparation en usine DEWALT, un centre de réparation agréé DEWALT ou par d'autres techniciens qualifiés. Toujours utiliser des pièces de rechange identiques.

### Registrez en ligne

Merci pour votre achat. Enregistrez dès maintenant votre produit:

- **RÉPARATIONS SOUS GARANTIE:** cette carte remplie vous permettra de vous prévaloir du service de réparations sous

garantie de façon plus efficace dans le cas d'un problème avec le produit.

- **CONFIRMATION DE PROPRIÉTÉ:** en cas de perte provoquée par un incendie, une inondation ou un vol, cette preuve de propriété vous servira de preuve auprès de votre compagnie d'assurances.
- **SÉCURITÉ:** l'enregistrement de votre produit nous permettra de communiquer avec vous dans l'éventualité peu probable de l'envoi d'un avis de sécurité régi par la loi fédérale américaine de la protection des consommateurs.

Registrez en ligne à [www.dewalt.com/register](http://www.dewalt.com/register).

### Garantie limitée de trois ans

DEWALT réparera, sans frais, tout produit défectueux causé par un défaut de matériel ou de fabrication pour une période de trois ans à compter de la date d'achat. La présente garantie ne couvre pas les pièces dont la défectuosité a été causée par une usure normale ou l'usage abusif de l'outil. Pour obtenir de plus amples renseignements sur les pièces ou les réparations couvertes par la présente garantie, visiter le site [www.dewalt.com](http://www.dewalt.com) ou composer le 1 800 433-9258 (1 800 4-DEWALT). Cette garantie ne s'applique pas aux accessoires et ne vise pas les dommages causés par des réparations effectuées par un tiers. Cette garantie confère des droits légaux particuliers à l'acheteur, mais celui-ci pourrait aussi bénéficier d'autres droits variant d'un état ou d'une province à l'autre.

En plus de la présente garantie, les outils DEWALT sont couverts par notre :

### CONTRAT D'ENTRETIEN GRATUIT D'UN AN

DEWALT entretiendra l'outil et remplacera les pièces usées au cours d'une utilisation normale et ce, gratuitement, pendant une période d'un an à compter de la date d'achat.

### GARANTIE DE REMBOURSEMENT DE 90 JOURS

Si l'acheteur n'est pas entièrement satisfait, pour quelque raison que ce soit, du rendement de l'outil électrique, du laser ou de la cloueuse DeWALT, celui-ci peut le retourner, accompagné d'un reçu, dans les 90 jours à compter de la date d'achat pour obtenir un remboursement intégral, sans aucun problème.

**AMÉRIQUE LATINE :** cette garantie ne s'applique aux produits vendus en Amérique latine. Pour ceux-ci, veuillez consulter les informations relatives à la garantie spécifique présente dans l'emballage, appeler l'entreprise locale ou consulter le site Web pour les informations relatives à cette garantie.

**REPLACEMENT GRATUIT DES ÉTIQUETTES D'AVERTISSEMENT :** si les étiquettes d'avertissement deviennent illisibles ou sont manquantes, composer le 1 800 433-9258 (1 800 4-DeWALT) pour en obtenir le remplacement gratuit.

|   |   |
|---|---|
| <b>DCF6201</b> COLLATED ATTACHMENT  |   |
| <b>⚠ WARNING</b>  | TO REDUCE THE RISK OF INJURY, USER MUST READ INSTRUCTION MANUAL. DO NOT USE AS A GRIPPING SURFACE.  |
| <b>⚠ ADVERTENCIA/AVERTISSEMENT</b>  | PARA EL MANEJO SEGURO LEA EL MANUAL DE INSTRUCCIONES. NO UTILICE EL SUPERFICIE DE AGARRE. / À TITRE PRÉVENTIF, LIRE LE GUIDE. NE PAS UTILISER COMME SURFACE DE PRISE. |
| DeWALT INDUSTRIAL TOOL CO., TOWSON MD, 21286 USA<br>FOR SERVICE INFORMATION, CALL 1-800-4-DEWALT <a href="http://www.DeWALT.com">www.DeWALT.com</a> |   |

Français

### Definiciones: Normas de seguridad

Las siguientes definiciones describen el nivel de gravedad de cada palabra de señal. Lea el manual y preste atención a estos símbolos.

**⚠ PELIGRO:** indica una situación de peligro inminente que, si no se evita, provocará **la muerte o lesiones graves**.

**⚠ ADVERTENCIA:** indica una situación de peligro potencial que, si no se evita, **podría provocar la muerte o lesiones graves**.

**⚠ ATENCIÓN:** indica una situación de peligro potencial que, si no se evita, **posiblemente provocaría lesiones leves o moderadas**.

**AVISO:** se refiere a una práctica **no relacionada a lesiones corporales** que de no evitarse **puede** resultar en **daños a la propiedad**.

SI TIENE ALGUNA DUDA O ALGÚN COMENTARIO SOBRE ÉSTA U OTRA HERRAMIENTA DEWALT, LLÁMENOS AL NÚMERO GRATUITO: 1-800-4-DEWALT (1-800-433-9258).



**ADVERTENCIA:** Para reducir el riesgo de lesiones, lea el manual de instrucciones.

### Advertencias generales de seguridad para herramientas eléctricas



**¡ADVERTENCIA!** Lea todas las advertencias de seguridad e instrucciones. El incumplimiento de las advertencias e instrucciones puede provocar descargas eléctricas, incendios o lesiones graves.



**¡ADVERTENCIA!** Lea todas las advertencias de seguridad y todas las instrucciones provistas con su pistola atornilladora (DFC620 o DCF621). El incumplimiento de las advertencias e instrucciones podría provocar una descarga eléctrica, un incendio y/o lesiones graves.

### CONSERVE TODAS LAS ADVERTENCIAS E INSTRUCCIONES PARA FUTURAS CONSULTAS

#### Normas de seguridad adicionales para el accesorio de depósito para tiras de tornillos

- El depósito para tiras de tornillos debe utilizarse solamente con la pistola atornilladora DEWALT DCF620 o DCF621.
- Observe todas las instrucciones de funcionamiento y normas de seguridad contenidas en el manual de la pistola atornilladora con la que se utilice el accesorio de depósito.
- Antes de su utilización, asegúrese de que el accesorio de depósito esté bien fijado a la herramienta.
- **Evite el contacto del cuerpo con superficies conectadas a tierra como tuberías, radiadores, cocinas eléctricas y refrigeradores.** Existe un mayor riesgo de descarga eléctrica si tiene el cuerpo conectado a tierra.
- **Desconecte el enchufe de la fuente de alimentación y/o la batería de la herramienta eléctrica antes de realizar ajustes, cambiar accesorios o guardar las herramientas eléctricas.** Dichas medidas de seguridad preventivas reducen el riesgo de poner en marcha la herramienta eléctrica accidentalmente.
- Cuando atornille, no toque nunca el accesorio de depósito. Mantenga las manos alejadas del mecanismo de avance y del lugar donde se está fijando el tornillo.

- **NO** utilice el accesorio de depósito como superficie de agarre.
- Sostenga la herramienta eléctrica por sus superficies de empuñadura aisladas cuando realice una operación en la cual la pieza de fijación pudiera entrar en contacto con instalaciones eléctricas ocultas. Las piezas de fijación en contacto con un cable bajo tensión pueden transmitir corriente a las partes metálicas expuestas de la herramienta eléctrica y producir una descarga eléctrica al operador.
- Utilice solamente tiras de tornillos que sean adecuadas para este depósito. Inserte solamente tiras de tornillos cuando el atomillador esté apagado y el gatillo esté bloqueado.
- **Los orificios de ventilación suelen cubrir piezas en movimiento, por lo que también se deben evitar.** Las piezas en movimiento pueden atrapar prendas de vestir sueltas, joyas o el cabello largo.

⚠ **ADVERTENCIA:** Use **SIEMPRE** lentes de seguridad. Los anteojos de diario **NO SON** lentes de seguridad. Utilice además una cubrebocas o mascarilla antipolvo si la operación de corte genera demasiado polvo. **SIEMPRE LLEVE EQUIPO DE SEGURIDAD CERTIFICADO:**

- Protección ocular ANSI Z87.1 (CAN/CSA Z94.3),
- Protección auditiva ANSI S12.6 (S3.19),
- Protección respiratoria NIOSH/OSHA/MSHA.

⚠ **ADVERTENCIA:** Algunas partículas de polvo generadas al lijar, serrar, esmerilar y taladrar con herramientas eléctricas, así como al realizar otras actividades de construcción, contienen químicos que el Estado de California sabe que pueden producir cáncer, defectos congénitos u otras afecciones reproductivas. Ejemplos de estos químicos son:

- plomo de algunas pinturas en base a plomo,

- polvo de sílice proveniente de ladrillos y cemento y otros productos de albañilería, y
- arsénico y cromo provenientes de madera tratada químicamente.

Su riesgo de exposición a estos químicos varía, dependiendo de la frecuencia con la cual realiza usted este tipo de trabajo. Para reducir su exposición a estas sustancias químicas: trabaje en una zona bien ventilada y llevando equipos de seguridad aprobados, como mascarillas antipolvo especialmente diseñadas para filtrar partículas microscópicas.

- **Evite el contacto prolongado con polvo generado por el lijado, aserrado, pulido, taladrado y otras actividades de construcción. Vista ropas protectoras y lave las áreas de la piel expuestas con agua y jabón.** Si permite que el polvo se introduzca en la boca u ojos o quede sobre la piel, puede favorecer la absorción de productos químicos peligrosos.

⚠ **ADVERTENCIA:** La utilización de esta herramienta puede generar polvo o dispersarlo, lo que podría causar daños graves y permanentes al sistema respiratorio, así como otras lesiones. Siempre use protección respiratoria aprobada por NIOSH (Instituto Nacional de Seguridad y Salud en el Trabajo) u OSHA (Administración de Seguridad y Salud en el Trabajo) apropiada para la exposición al polvo. Dirija las partículas en dirección contraria a la cara y el cuerpo.

⚠ **ADVERTENCIA:** **Siempre lleve la debida protección auditiva personal en conformidad con ANSI S12.6 (S3.19) durante el uso de esta herramienta.** Bajo algunas condiciones y duraciones de uso, el ruido producido por este producto puede contribuir a la pérdida auditiva.

**GUARDE ESTAS INSTRUCCIONES  
PARA FUTURAS CONSULTAS**

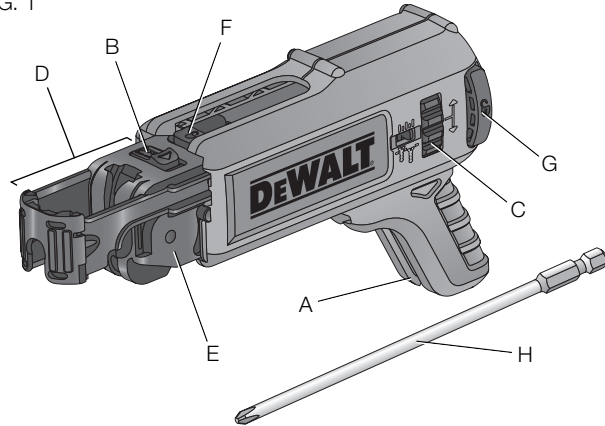
**Español**

## COMPONENTES (Fig. 1)

**⚠ ADVERTENCIA:** No modifique nunca el depósito ni ninguna de sus piezas. Podrían producirse lesiones corporales o daños.

- |                                       |  |
|---------------------------------------|--|
| A. Guía de tornillos                  | E. Base  |
| B. Ajuste de longitud de tornillos    | F. Botón de extracción de la base                |
| C. Ajuste de profundidad de precisión | G. Botones de liberación                         |
| D. Mecanismo de avance                | H. Broca de atornillador para tiras de tornillos |

FIG. 1



### USO DEBIDO

Este accesorio de depósito de tiras de tornillos para muros secos está diseñado para ser utilizado con la pistola atornilladora inalámbrica DCF620 o DCF621 DEWALT para el atornillado profesional de tiras de tornillos.

**NO** debe usarse en condiciones húmedas ni en presencia de líquidos o gases inflamables.

Este accesorio de depósito de tiras de tornillos para muros secos es una herramienta eléctrica profesional. **NO** permita que los niños toquen la herramienta. Si el operador no tiene experiencia utilizando esta herramienta, deberá ser supervisado.

## MONTAJE Y AJUSTES

**⚠ ADVERTENCIA:** Para reducir el riesgo de lesiones, apague la herramienta y desenchúfela antes de instalar y quitar accesorios, y antes de realizar ajustes o reparaciones. La puesta en marcha accidental puede causar lesiones.

### Instalación de la broca del atornillador para tiras de tornillos (Fig. 1, 2)

**AVISO:** Para el funcionamiento adecuado utilice solamente la broca de atornillador para tiras de tornillos DEWALT (catálogo número: DWA6PHC2).

1. Extraiga la nariz de rotor de la pistola atornilladora.
2. Para sacar la broca y el portabrocas:
  - a. Agarre el portabrocas.
  - b. Empújelo en la caja de engranaje presionando el manguito.
  - c. Gire el portabrocas hasta que el embrague se active.
  - d. Mientras mantiene el manguito presionado, saque el portabrocas tirando hacia afuera.

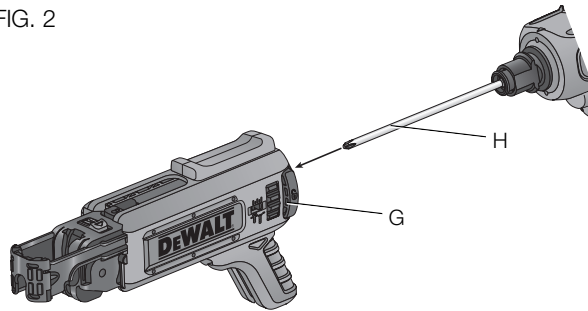
**NOTA:** Consulte y siga las instrucciones sobre el cambio de brocas y portabrocas en su manual de la pistola atornilladora.

3. Empuje y gire la broca para atornillado de tiras de tornillos (H) en el eje hasta que el bloqueo de bola se ajuste en la ranura del vástago de la broca.

### **Instalación y extracción del depósito de la pistola atornilladora (Fig. 2)**

Con la nariz de rotor extraída y la broca del atornillador provista (H) instalada, empuje el depósito por encima de la broca en el atornillador hasta que el depósito haga clic en su sitio y asegúrese de que no se libere.

FIG. 2



**NOTA:** asegúrese de que la palanca de control del atornillador se fije en rotación hacia adelante antes de su uso.

Para extraer el depósito, presione y mantenga presionados los botones de liberación (G) en ambos lados del accesorio y saque el accesorio de la pistola atornilladora.

### **FUNCIONAMIENTO**

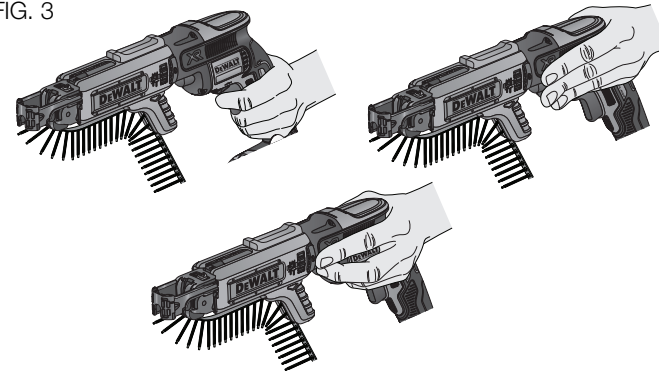
**⚠ADVERTENCIA:** Para reducir el riesgo de lesiones, apague la herramienta y desenchúfela antes de instalar y quitar accesorios, y antes de realizar ajustes o reparaciones. La puesta en marcha accidental puede causar lesiones.

### **Posición adecuada de las manos (Fig. 3)**

**⚠ADVERTENCIA:** Para reducir el riesgo de lesión corporal grave, tenga **SIEMPRE** las manos en una posición adecuada como se muestra en la Figura 3.

Para tener una posición adecuada de las manos, ponga una mano en la empuñadura trasera. Tenga cuidado de no bloquear los orificios de ventilación en la pistola atornilladora.

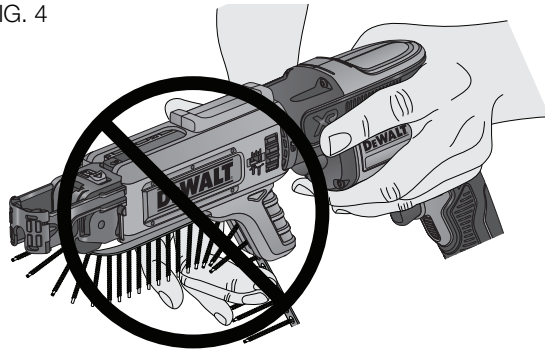
FIG. 3



**⚠ATENCIÓN:** No agarre **NUNCA** el accesorio para tiras de tornillos, ni lo utilice como asa o toque las tiras de tornillos mientras la herramienta esté en funcionamiento, como se muestra en la Figura 4.



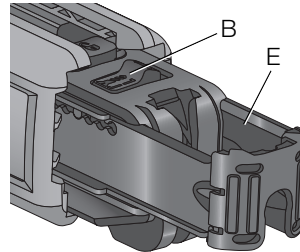
FIG. 4



### Fijación de la longitud del depósito de tornillos (Fig. 5)

Este depósito está diseñado para tornillos de 25 a 57 mm (1" a 2") de longitud. El no fijar la longitud de tornillo correcta puede hacer que los tornillos no se fijen adecuadamente, lo cual puede impedir que se avance al siguiente tornillo o provocar que los tornillos no se fijen adecuadamente. La base tiene ranuras específicas marcadas para cada uno de los tornillos más comunes, sin embargo este accesorio puede fijar tornillos de cualquier tamaño entre 25 y 57 mm (1" y 2"). Para acomodar a los tornillos menos comunes ajuste hasta la siguiente ranura más larga.

FIG. 5



**⚠ATENCIÓN:** No ajuste mientras haya una tira de tornillos en el depósito.

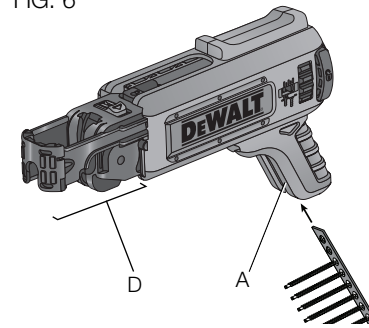
1. Deslice la lengüeta de ajuste de longitud de los tornillos (B) a la izquierda.
2. Manteniendo la lengüeta de ajuste de longitud de los tornillos en su sitio, ajuste la base (E) hasta la longitud deseada.
3. Libere la lengüeta de ajuste de longitud de los tornillos. Asegúrese de que la clavija de bloqueo haya vuelto completamente y esté en posición correcta.

### Inserción de las tiras de tornillos (Fig. 6)

**AVISO:** Utilice solamente tiras de tornillos que sean adecuadas para este depósito. Inserte las tiras de tornillos solamente cuando el atornillador esté apagado y el gatillo esté bloqueado.

El uso adecuado de las tiras de tornillos reducirá el riesgo de lesiones, reducirá atascos y evitará que los tornillos dañen la pieza de trabajo. Para un mejor rendimiento utilice tiras nuevas, no dañadas y sin residuos.

FIG. 6



1. Tome una tira de tornillos, sujetando la parte de plástico, e introdúzcala desde la parte inferior de la guía de tornillos (A) en la parte inferior del mecanismo de avance (D).
2. Continúe introduciendo la tira hasta que el primer tornillo esté una ranura por debajo de la broca del atornillador.



### **Fijación de la profundidad de los tornillos (Fig. 1, 7)**

Gire el ajuste de profundidad de precisión (C) en sentido antihorario (según se ve desde detrás de la herramienta) para reducir la profundidad de la fijación del tornillo en la pieza de trabajo.

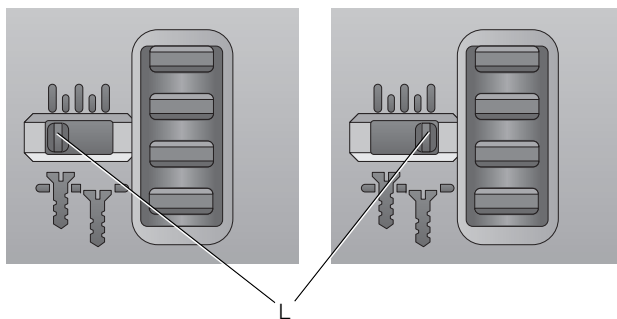
Gire el ajuste de profundidad de precisión (C) en sentido horario para aumentar la profundidad de la fijación del tornillo en la pieza de trabajo.

Hay un indicador al lado de la rueda de ajuste que muestra la posición de profundidad del tornillo. Cuando el deslizador (L) del indicador esté lo más lejos posible de la nariz de la herramienta, como se muestra en la Fig. 7B, la profundidad del atornillado está fijada en la posición más profunda posible.

Cuando el deslizador esté lo más cerca posible de la nariz de la herramienta, como se muestra en la Fig. 7A, la profundidad del atornillado está fijada en la posición más elevada.

FIG. 7A

FIG. 7B



### **Fijación de tornillos (Fig. 1)**

1. Antes de fijar tornillos, asegúrese de que se cambie la dirección de atornillado de la pistola atornilladora a la posición adelante.

**NOTA:** Sujete siempre la pistola atornilladora perpendicular a la pieza de trabajo.

3. Con el depósito instalado en la pistola atornilladora, coloque la base (E) en la pieza de trabajo, en un lugar donde vaya a fijarse el tornillo.

4. Cambie la pistola atornilladora sujetando el gatillo en la posición de encendido. Continúe sujetando el gatillo o active el bloqueo del gatillo.

5. Aplique presión contra la pieza de trabajo. Esto ayudará a que el tornillo se alinee con la broca del atornillador.

6. Continúe aplicando presión constante hasta que el tornillo esté fijado completamente y el embrague de la pistola atornilladora se libere.

7. Levante la pistola atornilladora de la pieza de trabajo.

El depósito está diseñado para fijar tornillos completamente solo en la pieza de trabajo. Una vez que se levante la pistola atornilladora, los ajustes al tornillo deben realizarse sacando primero el depósito.

### **Rotación del accesorio para tiras de tornillos**

Este accesorio puede rotar sin sacarse de la pistola atornilladora para muros secos. Para rotarlo, agarre la parte superior con una mano, mientras sujeta la pistola atornilladora con la otra, y luego rote. Un "clic" audible indica que el depósito está en cada una de las posiciones disponibles.

## MANTENIMIENTO

**⚠ ADVERTENCIA:** Para reducir el riesgo de lesiones personales graves, apague la herramienta y desconéctela de la fuente de alimentación antes de instalar y retirar accesorios, ajustar o cambiar configuraciones o realizar reparaciones. Un arranque accidental podría causar lesiones.

### Limpieza

**⚠ ADVERTENCIA:** Sople la suciedad y el polvo de todos los conductos de ventilación con aire seco, al menos una vez por semana. Para reducir el riesgo de lesiones, utilice siempre protección para los ojos aprobada ANSI Z87.1 al realizar esta tarea.

**⚠ ADVERTENCIA:** Nunca utilice solventes ni otros químicos abrasivos para limpiar las piezas no metálicas de la herramienta. Estos productos químicos pueden debilitar los materiales plásticos utilizados en estas piezas. Utilice un paño humedecido sólo con agua y jabón neutro. Nunca permita que penetre líquido dentro de la herramienta ni sumerja ninguna de las piezas en un líquido.

Para obtener el mejor rendimiento, limpie el depósito haciendo lo siguiente:

1. Saque el mecanismo de avance del depósito para tiras de tornillos (véanse las instrucciones para Extraer e instalar el mecanismo de avance).
2. Saque la base del mecanismo de avance.
3. Saque el muelle de retorno del depósito.
4. Sumerja las piezas en agua con jabón durante 10 minutos.
5. Saque las piezas y enjuáguelas bien.
6. Deje que las piezas se sequen al aire.
7. Vuelva a ensamblarlas y continúe usándolo.

## EXTRACCIÓN E INSTALACIÓN DEL MECANISMO DE AVANCE (FIG. 8)

**ATENCIÓN:** El mecanismo de avance cuenta con un resorte. Deben usarse las dos manos para sacar el mecanismo de avance. El resorte puede saltar del mecanismo.

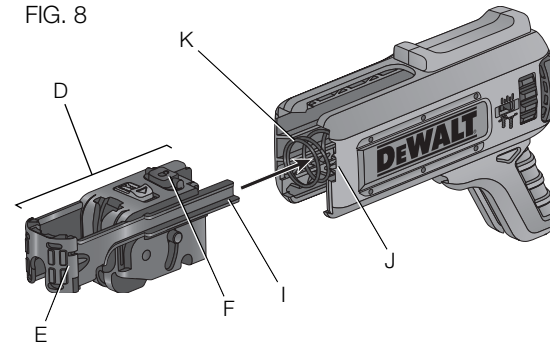
### Para sacar el mecanismo de avance:

1. Retire el accesorio de depósito para tiras de tornillos del atornillador.
2. Presione ligeramente el mecanismo de avance (D) empujando en la base (E) con una mano.
3. Manteniendo la presión sobre la base (E) con la otra mano presione el botón de servicio (F)

**NOTA:** El brazo de la palanca (L) debería estar en la posición vertical (como se muestra en la figura 8) antes de que se instale el mecanismo de avance. Si está en la posición hacia abajo, el mecanismo de avance se bloqueará en su sitio.

4. Libere ligeramente la presión de la base (E) hasta que el mecanismo de avance esté fuera del depósito para tira de tornillos.

FIG. 8



#### Para instalar el mecanismo de avance:

1. Una vez retirado el accesorio de depósito de tiras de tornillos del atornillador, alinee las lengüetas (I) en la base con las ranuras (J) en la caja protectora.
2. Empuje ligeramente, luego alinee el resorte (K) con el bolsillo en el mecanismo de avance.
3. Empuje el mecanismo de avance hasta que oiga el "clic" del botón de servicio.
4. Pruebe el mecanismo de avance varias veces manualmente para asegurar su funcionamiento adecuado antes de instalarlo en su pistola atornilladora.

#### Accesorios

**⚠ ADVERTENCIA:** Debido a que no se han probado con este producto otros accesorios que no sean los que ofrece DEWALT, el uso de dichos accesorios con esta herramienta podría ser peligroso. Para reducir el riesgo de lesiones, con este producto deben usarse sólo los accesorios recomendados por DEWALT.

Los accesorios que se recomiendan para utilizar con la herramienta están disponibles a un costo adicional en su distribuidor local o en un centro de mantenimiento autorizado. Si necesita ayuda para localizar algún accesorio, póngase en contacto con DEWALT Industrial Tool Co., 701 East Joppa Road, Towson, MD 21286, llame al 1-800-4-DEWALT (1-800-433-9258) o visite nuestro sitio Web: [www.dewalt.com](http://www.dewalt.com).

#### Reparaciones

Para asegurar la SEGURIDAD y la CONFIABILIDAD del producto, las reparaciones, el mantenimiento y los ajustes deben (inclusive inspección y cambio de carbones) ser realizados en un centro de mantenimiento en la fábrica DEWALT, en un centro de mantenimiento autorizado DEWALT u por otro personal de mantenimiento calificado. Utilice siempre piezas de repuesto idénticas.

#### PARA REPARACIÓN Y SERVICIO DE SUS HERRAMIENTAS ELÉCTRICAS, FAVOR DE DIRIGIRSE AL CENTRO DE SERVICIO MÁS CERCANO

##### CULIACAN, SIN

Blvd.Emiliano Zapata 5400-1 Poniente  
Col. San Rafael (667) 717 89 99

##### GUADALAJARA, JAL

Av. La Paz #1779 - Col. Americana Sector Juárez (33) 3825 6978

##### MEXICO, D.F.

Eje Central Lázaro Cárdenas No. 18  
Local D, Col. Obrera (55) 5588 9377

##### MERIDA, YUC

Calle 63 #459-A - Col. Centro (999) 928 5038

##### MONTERREY, N.L.

Av. Francisco I. Madero 831 Poniente - Col. Centro(818) 375 23 13

##### PUEBLA, PUE

17 Norte #205 - Col. Centro (222) 246 3714

##### QUERETARO, QRO

Av. San Roque 274 - Col. San Gregorio (442) 2 17 63 14

##### SAN LUIS POTOSI, SLP

Av. Universidad 1525 - Col. San Luis (444) 814 2383

##### TORREON, COAH

Blvd. Independencia, 96 Pte. - Col. Centro (871) 716 5265

Español

**VERACRUZ, VER**

Prolongación Díaz Mirón #4280 - Col. Remes (229) 921 7016

**VILLAHERMOSA, TAB**

Constitución 516-A - Col. Centro (993) 312 5111

**PARA OTRAS LOCALIDADES:****Si se encuentra en México, por favor llame al (55) 5326 7100****Si se encuentra en U.S., por favor llame al****1-800-433-9258 (1-800 4-DEWALT)****Póliza de Garantía**

IDENTIFICACIÓN DEL PRODUCTO:

Sello o firma del Distribuidor.

Nombre del producto: \_\_\_\_\_ Mod./Cat.: \_\_\_\_\_

Marca: \_\_\_\_\_ Núm. de serie: \_\_\_\_\_

(Datos para ser llenados por el distribuidor)

Fecha de compra y/o entrega del producto: \_\_\_\_\_

Nombre y domicilio del distribuidor donde se adquirió el producto: \_\_\_\_\_

Este producto está garantizado por un año a partir de la fecha de entrega, contra cualquier defecto en su funcionamiento, así como en materiales y mano de obra empleados para su fabricación. Nuestra garantía incluye la reparación o reposición del producto y/o componentes sin cargo alguno para el cliente, incluyendo mano de obra, así como los gastos de transportación razonablemente erogados derivados del cumplimiento de este certificado.

Para hacer efectiva esta garantía deberá presentar su herramienta y esta póliza sellada por el establecimiento comercial donde se adquirió el producto, de no contar con ésta, bastará la factura de compra.

**EXCEPCIONES**

Esta garantía no será válida en los siguientes casos:

- Cuando el producto se hubiese utilizado en condiciones distintas a las normales;
- Cuando el producto no hubiese sido operado de acuerdo con el instructivo de uso que se acompaña;
- Cuando el producto hubiese sido alterado o reparado por personas distintas a las enlistadas al final de este certificado.

Anexo encontrará una relación de sucursales de servicio de fábrica, centros de servicio autorizados y franquiciados en la República Mexicana, donde podrá hacer efectiva su garantía y adquirir partes, refacciones y accesorios originales.

**Registro en línea**

Gracias por su compra. Registre su producto ahora para:

- **SERVICIO EN GARANTÍA:** Si completa esta tarjeta, podrá obtener un servicio en garantía más eficiente, en caso de que exista un problema con su producto.
- **CONFIRMACIÓN DE PROPIEDAD:** En caso de una pérdida que cubra el seguro, como un incendio, una inundación o un robo, el registro de propiedad servirá como comprobante de compra.
- **PARA SU SEGURIDAD:** Si registra el producto, podremos comunicarnos con usted en el caso improbable que se deba enviar una notificación de seguridad conforme a la Federal Consumer Safety Act (Ley Federal de Seguridad de Productos para el Consumidor).

Registro en línea en [www.dewalt.com/register](http://www.dewalt.com/register).**Garantía limitada por tres años**

DEWALT reparará, sin cargo, cualquier falla que surja de defectos en el material o la fabricación del producto, por hasta tres años a contar de la fecha de compra. Esta garantía no cubre fallas de las

piezas causadas por su desgaste normal o abuso a la herramienta. Para mayores detalles sobre la cobertura de la garantía e información acerca de reparaciones realizadas bajo garantía, visitenos en [www.dewalt.com](http://www.dewalt.com) o diríjase al centro de servicio más cercano. Esta garantía no aplica a accesorios o a daños causados por reparaciones realizadas o intentadas por terceros. Esta garantía le otorga derechos legales específicos, además de los cuales puede tener otros dependiendo del estado o la provincia en que se encuentre.

Además de la garantía, las herramientas DEWALT están cubiertas por:

#### 1 AÑO DE SERVICIO GRATUITO

DEWALT mantendrá la herramienta y reemplazará las piezas gastadas por su uso normal, sin cobro, en cualquier momento durante un año a contar de la fecha de compra. Los artículos gastados por la clavadora, tales como la unidad de hoja y retorno del impulsador, no están cubiertas.

#### GARANTÍA DE REEMBOLSO DE SU DINERO POR 90 DÍAS

Si no está completamente satisfecho con el desempeño de su máquina herramienta, láser o clavadora DEWALT, cualquiera sea el motivo, podrá devolverlo hasta 90 días de la fecha de compra con su recibo y obtener el reembolso completo de su dinero – sin necesidad de responder a ninguna pregunta.

**AMÉRICA LATINA:** Esta garantía no se aplica a los productos que se venden en América Latina. Para los productos que se venden

en América Latina, debe consultar la información de la garantía específica del país que viene en el empaque, llamar a la compañía local o visitar el sitio Web a fin de obtener esa información.

**REEMPLAZO GRATUITO DE LAS ETIQUETAS DE ADVERTENCIAS:** Si sus etiquetas de advertencia se vuelven ilegibles o faltan, llame al 1-800-4-DEWALT (1-800-433-9258) para que se le reemplacen gratuitamente.

#### DCF6201 COLLATED ATTACHMENT

**⚠ WARNING** TO REDUCE THE RISK OF INJURY, USER MUST READ INSTRUCTION MANUAL. DO NOT USE AS A GRIPPING SURFACE.

**⚠ ADVERTENCIA/AVERTISSEMENT** PARA EL MANEJO SEGURO LEA EL MANUAL DE INSTRUCCIONES. NO UTILICE EL SUPERFICIE DE AGARRE. / A TITRE PRÉVENTIF, LIRE LE GUIDE. NE PAS UTILISER COMME SURFACE DE PRISE.

DEWALT INDUSTRIAL TOOL CO., TOWSON MD, 21286 USA  
FOR SERVICE INFORMATION, CALL 1-800-4-DEWALT [www.DeWALT.com](http://www.DeWALT.com)

SOLAMENTE PARA PROPÓSITO DE MÉXICO:  
IMPORTADO POR: DEWALT INDUSTRIAL TOOL CO. S.A. DE C.V.  
AVENIDA ANTONIO DOVALI JAIME, # 70 TORRE B PISO 9  
COLONIA LA FE, SANTA FÉ  
CÓDIGO POSTAL : 01210  
DELEGACIÓN ALVARO OBREGÓN  
MÉXICO D.F.  
TEL. (52) 555-326-7100  
R.F.C.: BDE810626-1W7

Para servicio y ventas consulte  
"HERRAMIENTAS ELECTRICAS"  
en la sección amarilla.



Español





DEWALT Industrial Tool Co., 701 East Joppa Road, Towson, MD 21286  
(JAN15) Part No. N426966 DCF6201 Copyright © 2015 DEWALT

The following are trademarks for one or more DEWALT power tools: the yellow and black color scheme; the "D" shaped air intake grill; the array of pyramids on the handgrip; the kit box configuration; and the array of lozenge-shaped humps on the surface of the tool.