

## DCD794

**20V Max\* Compact 1/2" (13 mm) Drill/Driver**

**Perceuse/visseuse compacte de 13 mm (1/2 po), 20 V max\***

**Taladro/atornillador Compacto de 20 V Máx\* 13 mm (1/2")**

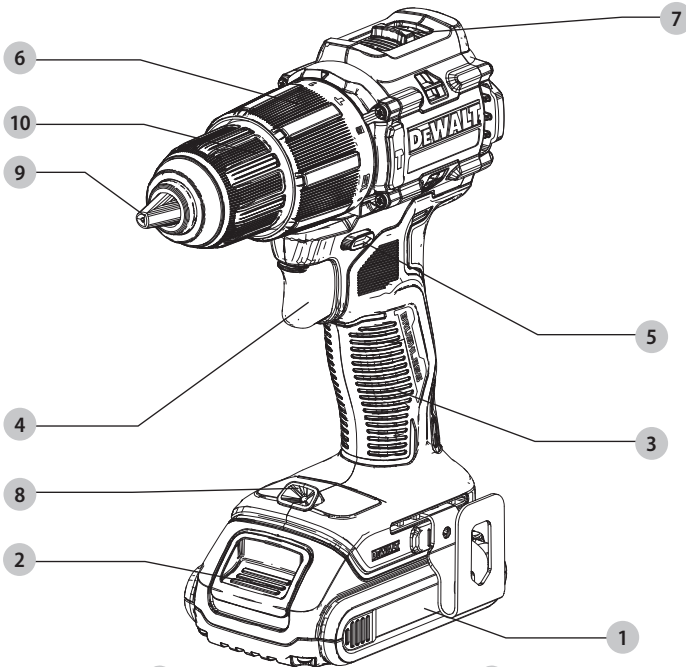
## DCD799

**20V Max\* Compact 1/2" (13 mm) Drill/Driver/Hammerdrill**

**Perceuse/visseuse/perceuse à percussion, compacte de 13 mm (1/2 po), 20 V max\***

**Taladro/Percutor/Martillo Compacto de 20 V Máx\* 13 mm (1/2")**

Fig. A



1 Battery pack

2 Battery pack release button

3 Main handle

4 Variable speed trigger switch

5 Forward/reverse control button

6 Mode selection collar

7 Speed selector

8 Worklight

9 Keyless chuck

10 Chuck sleeve

1 Bloc-piles

2 Bouton de libération du bloc-piles

3 Poignée principale

4 Gâchette à vitesse variable

5 Bouton de commande avant/arrière

6 Collier de sélection du mode

7 Sélecteur de vitesses

8 Lampe de travail

9 Mandrin sans clé

10 Douille du mandrin

1 Paquete de batería

2 Botón de liberación de paquete de batería

3 Manija principal

4 Interruptor de gatillo de velocidad variable

5 Botón de control de avance/reversa

6 Collar de selección de modo

7 Selector de velocidad


8 Luz de trabajo

9 Mandril sin llave

10 Camisa de mandril

**If you have questions or comments, contact us.**  
**Pour toute question ou tout commentaire, nous contacter.**  
**Si tiene dudas o comentarios, contáctenos.**


**www.DEWALT.com**  
**1-800-4-DEWALT**


 **WARNING:** Read all safety warnings, instructions, illustrations, and specifications in this manual, including the battery and charger sections provided in an original tool manual or the separate Batteries and Chargers manual.


Manuals can be obtained by contacting Customer Service as described elsewhere in this manual. Failure to follow the warnings and instructions may result in electric shock, fire and/or serious injury.

## Definitions: Safety Alert Symbols and Words

This instruction manual uses the following safety alert symbols and words to alert you to hazardous situations and your risk of personal injury or property damage.


 **DANGER:** Indicates an imminently hazardous situation which, if not avoided, **will** result in **death or serious injury**.

 **WARNING:** Indicates a potentially hazardous situation which, if not avoided, **could** result in **death or serious injury**.

 **CAUTION:** Indicates a potentially hazardous situation which, if not avoided, **may** result in **minor or moderate injury**.

 (Used without word) Indicates a safety related message.


**NOTICE:** Indicates a practice not related to personal injury which, if not avoided, **may** result in **property damage**.


 **AVERTISSEMENT :** lire tous les avertissements de sécurité, les instructions, les illustrations et les caractéristiques de ce manuel, y compris les sections sur les piles et les chargeurs fournies dans un manuel d'origine de l'outil ou dans le manuel séparé sur les piles et les chargeurs. Les manuels peuvent être obtenus en contactant le service à la clientèle comme indiqué ailleurs dans ce manuel. Le fait de ne pas suivre les avertissements et les instructions peut entraîner un choc électrique, un incendie et/ou des blessures graves.


**Définitions : symboles et termes d'alarmes sécurité**  
Ces guides d'utilisation utilisent les symboles et termes d'alarmes sécurité suivants pour vous prévenir de situations dangereuses et de risques de dommages corporels ou matériels.


## Définitions : symboles et termes d'alarmes sécurité

Ces guides d'utilisation utilisent les symboles et termes d'alarmes sécurité suivants pour vous prévenir de situations dangereuses et de risques de dommages corporels ou matériels.


 **DANGER :** indique une situation dangereuse imminente qui, si elle n'est pas évitée, **entraînera la mort ou des blessures graves**.

 **AVERTISSEMENT :** indique une situation potentiellement dangereuse qui, si elle n'est pas évitée, **pourrait entraîner la mort ou des blessures graves**.

 **ATTENTION :** indique une situation potentiellement dangereuse qui, si elle n'est pas évitée, **pourrait entraîner des blessures légères ou modérées**.

 (Si utilisé sans aucun terme) Indique un message propre à la sécurité.


**AVIS :** indique une pratique ne posant **aucun risque de dommages corporels** mais qui par contre, si rien n'est fait pour l'éviter, **pourrait** poser des **risques de dommages matériels**.


 **ADVERTENCIA:** Lea todas las advertencias de seguridad, instrucciones, ilustraciones y especificaciones de este manual, incluyendo las secciones sobre la batería y el cargador proporcionadas en un manual original de la herramienta o en el manual de Baterías y Cargadores por separado. Los manuales se pueden obtener poniéndose en contacto con el Servicio de atención al cliente como se describe en otra parte de este manual. La falla en seguir las advertencias e instrucciones puede resultar en descarga eléctrica, incendio y/o lesiones serias.


**Definiciones: Símbolos y Palabras de Alerta de Seguridad**  
Este manual de instrucciones utiliza los siguientes símbolos y palabras de alerta de seguridad para alertarle de situaciones peligrosas y del riesgo de lesiones corporales o daños materiales.

## Definiciones: Símbolos y Palabras de Alerta de Seguridad

Este manual de instrucciones utiliza los siguientes símbolos y palabras de alerta de seguridad para alertarle de situaciones peligrosas y del riesgo de lesiones corporales o daños materiales.

 **PELIGRO:** Indica una situación de peligro inminente que, si no se evita, provocará **la muerte o lesiones graves**.

 **ADVERTENCIA:** Indica una situación de peligro potencial que, si no se evita, **podría** provocar **la muerte o lesiones graves**.

 **ATENCIÓN:** Indica una situación de peligro potencial que, si no se evita, **posiblemente** provocaría **lesiones leves o moderadas**.

 (Utilizado sin palabras) Indica un mensaje de seguridad relacionado.

**AVISO:** Se refiere a una práctica **no relacionada a lesiones corporales** que de no evitarse **puede** resultar en **daños a la propiedad**.

English (**original instructions**)

4

Français (traduction de la notice d'instructions originale)

9

Español (traducido de las instrucciones originales)

15

Fig. B

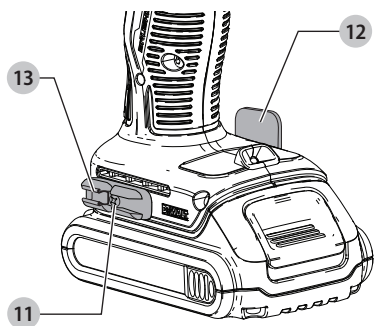


Fig. C

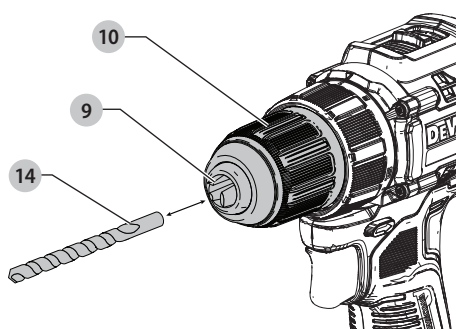


Fig. D

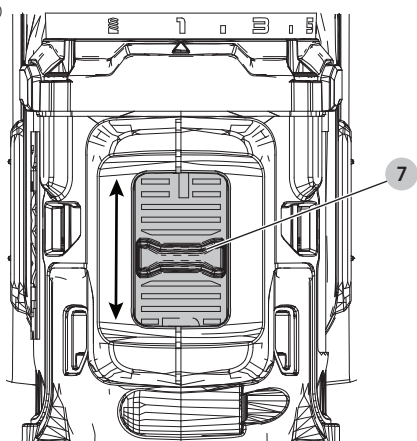


Fig. E

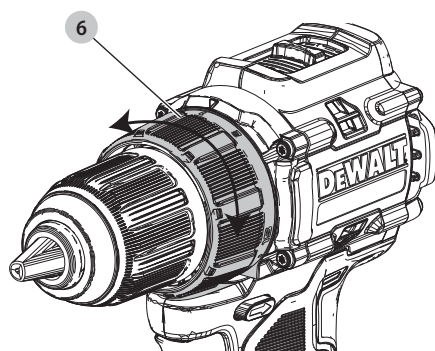


Fig. F

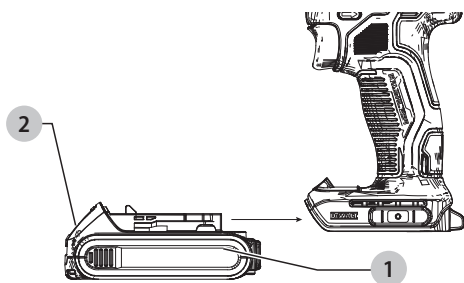
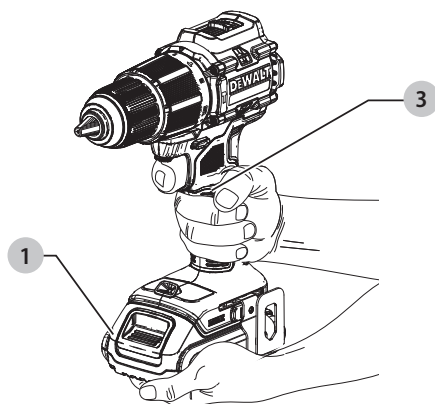


Fig. G



## Intended Use

This drill/driver/hammerdrill is designed for professional drilling and screwdriving and hammerdrilling applications.

**DO NOT** use under wet conditions or in presence of flammable liquids or gases.

**DO NOT** let children come into contact with the tool. Supervision is required when inexperienced operators use this tool.

## GENERAL POWER TOOL SAFETY WARNINGS

**▲ WARNING: Read all safety warnings, instructions, illustrations and specifications provided with this power tool. Failure to follow all instructions listed below may result in electric shock, fire and/or serious injury.**

### SAVE ALL WARNINGS AND INSTRUCTIONS FOR FUTURE REFERENCE.

The term "power tool" in the warnings refers to your mains-operated (corded) power tool or battery-operated (cordless) power tool.

#### 1) Work Area Safety

- Keep work area clean and well lit.** Cluttered or dark areas invite accidents.
- Do not operate power tools in explosive atmospheres, such as in the presence of flammable liquids, gases or dust.** Power tools create sparks which may ignite the dust or fumes.
- Keep children and bystanders away while operating a power tool.** Distractions can cause you to lose control.

#### 2) Electrical Safety

- Power tool plugs must match the outlet. Never modify the plug in any way. Do not use any adapter plugs with earthed (grounded) power tools.** Unmodified plugs and matching outlets will reduce risk of electric shock.
- Avoid body contact with earthed or grounded surfaces, such as pipes, radiators, ranges and refrigerators.** There is an increased risk of electric shock if your body is earthed or grounded.
- Do not expose power tools to rain or wet conditions.** Water entering a power tool will increase the risk of electric shock.
- Do not abuse the cord. Never use the cord for carrying, pulling or unplugging the power tool. Keep cord away from heat, oil, sharp edges or moving parts.** Damaged or entangled cords increase the risk of electric shock.
- When operating a power tool outdoors, use an extension cord suitable for outdoor use.** Use of a cord suitable for outdoor use reduces the risk of electric shock.
- If operating a power tool in a damp location is unavoidable, use a ground fault circuit interrupter (GFCI) protected supply.** Use of a GFCI reduces the risk of electric shock.

#### 3) Personal Safety

- Stay alert, watch what you are doing and use common sense when operating a power tool. Do not use a power tool while you are tired or under the influence of drugs, alcohol or medication.** A moment of inattention while operating power tools may result in serious personal injury.
- Use personal protective equipment. Always wear eye protection.** Protective equipment such as a dust mask,

non-skid safety shoes, hard hat, or hearing protection used for appropriate conditions will reduce personal injuries.

- Prevent unintentional starting. Ensure the switch is in the off-position before connecting to power source and/or battery pack, picking up or carrying the tool.** Carrying power tools with your finger on the switch or energizing power tools that have the switch on invites accidents.
  - Remove any adjusting key or wrench before turning the power tool on.** A wrench or a key left attached to a rotating part of the power tool may result in personal injury.
  - Do not overreach. Keep proper footing and balance at all times.** This enables better control of the power tool in unexpected situations.
  - Dress properly. Do not wear loose clothing or jewelry. Keep your hair, clothing and gloves away from moving parts.** Loose clothes, jewelry or long hair can be caught in moving parts.
  - If devices are provided for the connection of dust extraction and collection facilities, ensure these are connected and properly used.** Use of dust collection can reduce dust-related hazards.
  - Do not let familiarity gained from frequent use of tools allow you to become complacent and ignore tool safety principles.** A careless action can cause severe injury within a fraction of a second.
- #### 4) Power Tool Use and Care
- Do not force the power tool. Use the correct power tool for your application.** The correct power tool will do the job better and safer at the rate for which it was designed.
  - Do not use the power tool if the switch does not turn it on and off.** Any power tool that cannot be controlled with the switch is dangerous and must be repaired.
  - Disconnect the plug from the power source and/or remove the battery pack, if detachable, from the power tool before making any adjustments, changing accessories, or storing power tools.** Such preventive safety measures reduce the risk of starting the power tool accidentally.
  - Store idle power tools out of the reach of children and do not allow persons unfamiliar with the power tool or these instructions to operate the power tool.** Power tools are dangerous in the hands of untrained users.
  - Maintain power tools and accessories. Check for misalignment or binding of moving parts, breakage of parts and any other condition that may affect the power tool's operation. If damaged, have the power tool repaired before use.** Many accidents are caused by poorly maintained power tools.
  - Keep cutting tools sharp and clean.** Properly maintained cutting tools with sharp cutting edges are less likely to bind and are easier to control.
  - Use the power tool, accessories and tool bits etc. in accordance with these instructions, taking into account the working conditions and the work to be performed.** Use of the power tool for operations different from those intended could result in a hazardous situation.
  - Keep handles and grasping surfaces dry, clean and free from oil and grease.** Slippery handles and grasping surfaces do not allow for safe handling and control of the tool in unexpected situations.

## 5) Battery Tool Use and Care

a) **Recharge only with the charger specified by the manufacturer.** A charger that is suitable for one type of battery pack may create a risk of fire when used with another battery pack.

b) **Use power tools only with specifically designated battery packs.** Use of any other battery packs may create a risk of injury and fire.

c) **When battery pack is not in use, keep it away from other metal objects, like paper clips, coins, keys, nails, screws or other small metal objects, that can make a connection from one terminal to another.** Shorting the battery terminals together may cause burns or a fire.

d) **Under abusive conditions, liquid may be ejected from the battery; avoid contact. If contact accidentally occurs, flush with water. If liquid contacts eyes, additionally seek medical help.** Liquid ejected from the battery may cause irritation or burns.

e) **Do not use a battery pack or tool that is damaged or modified.** Damaged or modified batteries may exhibit unpredictable behavior resulting in fire, explosion or risk of injury.

f) **Do not expose a battery pack or tool to fire or excessive temperature.** Exposure to fire or temperature above 265 °F (130 °C) may cause explosion.

g) **Follow all charging instructions and do not charge the battery pack or tool outside the temperature range specified in the instructions.** Charging improperly or at temperatures outside the specified range may damage the battery and increase the risk of fire.

## 6) Service

a) **Have your power tool serviced by a qualified repair person using only identical replacement parts.** This will ensure that the safety of the power tool is maintained.

b) **Never service damaged battery packs.** Service of battery packs should only be performed by the manufacturer or authorized service providers.

## DRILL/DRIVER/IMPACT DRILL SAFETY WARNINGS

### 1) Safety Instructions for All Operations

a) **Wear ear protectors when impact drilling.** Exposure to noise can cause hearing loss.

b) **Hold the power tool by insulated gripping surfaces, when performing an operation where the cutting accessory or fasteners may contact hidden wiring.**

Cutting accessory or fastener contacting a "live" wire may make exposed metal parts of the power tool "live" and could give the operator an electric shock.

### 2) Safety Instructions When Using Long Drill Bits

a) **Never operate at higher speed than the maximum speed rating of the drill bit.** At higher speeds, the bit is likely to bend if allowed to rotate freely without contacting the workpiece, resulting in personal injury.

b) **Always start drilling at low speed and with the bit tip in contact with the workpiece.** At higher speeds, the bit is likely to bend if allowed to rotate freely without contacting the workpiece, resulting in personal injury.

c) **Apply pressure only in direct line with the bit and do not apply excessive pressure.** Bits can bend causing breakage or loss of control, resulting in personal injury.

## Additional Safety Warnings for Drills

• **Do not operate this tool for long periods of time.**

Vibration caused by the operating action of this tool may cause permanent injury to fingers, hands, and arms. Use gloves to provide extra cushion, take frequent rest periods, and limit daily time of use.

• **Hammer bits and tools get hot during operation.** Wear gloves when touching them.

## Additional Safety Information

▲ **WARNING:** Never modify the power tool or any part of it. Damage or personal injury could result.

▲ **WARNING: ALWAYS** use safety glasses. Everyday eyeglasses are NOT safety glasses. Also use face or dust mask if cutting operation is dusty. ALWAYS WEAR CERTIFIED SAFETY EQUIPMENT:

- ANSI Z87.1 eye protection (CAN/CSA Z94.3),
- ANSI S12.6 (S3.19) hearing protection,
- NIOSH/OSHA/MSHA respiratory protection.

▲ **WARNING:** Some dust created by power sanding, sawing, grinding, drilling, and other construction activities contains chemicals known to the State of California to cause cancer, birth defects or other reproductive harm. Some examples of these chemicals are:

- lead from lead-based paints,
- crystalline silica from bricks and cement and other masonry products, and
- arsenic and chromium from chemically-treated lumber.




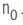

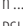









Your risk from these exposures varies, depending on how often you do this type of work. To reduce your exposure to these chemicals: work in a well-ventilated area, and work with approved safety equipment, such as those dust masks that are specially designed to filter out microscopic particles.

- **Wear protective clothing and wash exposed areas with soap and water.** Allowing dust to get into your mouth, eyes, or lay on the skin may promote absorption of harmful chemicals. Direct particles away from face and body.
- **Use the appropriate dust extractor vacuum to remove the vast majority of static and airborne dust.** Failure to remove static and airborne dust could contaminate the working environment or pose an increased health risk to the operator and those in close proximity.
- **Use clamps or other practical ways to secure and support the workpiece to a stable platform.** Holding the work by hand or against your body is unstable and may lead to loss of control and injury.

• **Air vents often cover moving parts and should be avoided.** Loose clothes, jewelry or long hair can be caught in moving parts.

▲ **CAUTION:** When not in use, place tool on its side on a stable surface where it will not cause a tripping or falling hazard. Some tools with large battery packs will stand upright on the battery pack but may be easily knocked over.

The label on your tool may include the following symbols. The symbols and their definitions are as follows:

V.....volts		or AC/DC.....alternating or direct current
Hz.....hertz		.....Class II Construction (double insulated)
min.....minutes		.....Class I Construction (grounded)
— or DC.....direct current		$n_0$ .....no load speed
 .....		n.....rated speed
.../min.....per minute		PSI.....pounds per square inch
BPM.....beats per minute		.....earthing terminal
IPM.....impacts per minute		.....safety alert symbol
OPM.....oscillations per minute		.....visible radiation do not stare into the light
RPM.....revolutions per minute		.....wear respiratory protection
sfpm.....surface feet per minute		.....wear eye protection
SPM.....strokes per minute		.....wear hearing protection
A.....amperes		.....read all documentation
W.....watts		.....do not expose to rain
Wh.....watt hours		
Ah.....amp hours		
~ or AC.....alternating current		

**ASSEMBLY AND ADJUSTMENTS**

**▲ WARNING:** To reduce the risk of serious personal injury, turn unit off and remove the battery pack before making any adjustments or removing/installing attachments or accessories. An accidental start-up can cause injury.

**Belt Hook and Bit Clip (Fig. B) (Optional Accessory)**

**▲ WARNING:** To reduce the risk of serious personal injury, ONLY use the tool's belt hook to hang the tool from a work belt. DO NOT use the belt hook for tethering or securing the tool to a person or object during use. DO NOT suspend tool overhead or suspend objects from the belt hook.

**▲ WARNING:** To reduce the risk of serious personal injury, ensure the screw holding the belt hook is secure. **IMPORTANT:** When attaching or replacing the belt hook or bit clip, use only the screw **11** that is provided. Be sure to securely tighten the screw.

The belt hook **12** and bit clip **13** can be attached to either side of the tool using only the screw provided, to accommodate left- or right-handed users. If the belt hook or bit clip is not desired at all, they can be removed from the tool.

To move the belt hook or bit clip, remove the screw that holds it in place then reassemble on the opposite side. Be sure to securely tighten the screw.

**Installing a Bit or Accessory into a Keyless Chuck (Fig. C)**

**▲ WARNING:** Do not attempt to tighten drill bits (or any other accessory) by gripping the front part of the chuck and turning the tool on. Damage to the chuck and personal injury may result. Always lock off trigger switch and disconnect tool from power source when changing accessories.

**▲ WARNING:** Always ensure the bit is secure before starting the tool. A loose bit may eject from tool causing possible personal injury.

To insert a drill bit **14** or other accessory, follow these steps.

1. Turn tool off and remove battery pack.
2. Grasp the black sleeve of the chuck with one hand and use the other hand to secure the tool. Rotate the sleeve counterclockwise far enough to accept the desired accessory.
3. Insert the accessory about 3/4" (19 mm) into the chuck **9** and tighten securely by grasping and rotating the chuck sleeve **10** clockwise with one hand while holding the tool with the other. When the chuck is nearly tightened you will hear a clicking sound. Tighten the sleeve until the clicks stop and it will not rotate any further. Your tool is equipped with an automatic spindle lock mechanism. This allows you to open and close the chuck with one hand.
4. Be sure to tighten chuck with one hand on the chuck sleeve and one hand holding the tool for maximum tightness.
5. To release the accessory, repeat steps 1 and 2 above.

**OPERATION**

**▲ WARNING:** To reduce the risk of serious personal injury, turn unit off and remove the battery pack before making any adjustments or removing/installing attachments or accessories. An accidental start-up can cause injury.

**Speed Selection (Fig. D)**

The tool features two speed settings for greater versatility.

**NOTE:** Do not change speeds when the tool is running. Always allow the tool to come to a complete stop before changing speed.


1. To select speed 1 (high torque setting), turn the tool off and permit it to stop. Slide the speed selector **7** forward (toward the chuck).
2. To select speed 2 (high speed setting), turn the tool off and permit it to stop. Slide the speed selector back (away from the chuck).
3. If the tool does not change speeds, confirm that the speed selection switch is completely engaged in the forward or back position.

**Mode Selection (Fig. E)**

The mode selection collar **6** can be used to select the correct operating mode depending upon the planned application.

To select, rotate the collar until the desired symbol aligns with the arrow.

**▲ WARNING:** When the mode selection collar is in the drill or hammerdrill positions, the drill will not clutch. The drill may stall if overloaded, causing a sudden twist.

DCD794	
Symbol	Mode
	Drilling
1-15	Screwdriving (higher number = greater torque)

DCD799	
Symbol	Mode
	Drilling
1-15	Screwdriving (higher number = greater torque)
	Hammerdrilling

## Installing and Removing the Battery Pack (Fig. F)

**▲ WARNING:** Ensure the tool/appliance is in the off position before inserting the battery pack.

**NOTE:** For best results, make sure your battery pack is fully charged.

1. To install the battery pack into the tool handle, align the battery pack with the rails inside the tool's handle and slide it into the handle until the battery pack is firmly seated in the tool and ensure that it does not disengage.

2. To remove the battery pack from the tool, press the release button and firmly pull the battery pack out of the tool handle. Insert it into the charger.

## Proper Hand Position (Fig. G)

**▲ WARNING:** To reduce the risk of serious personal injury, ALWAYS use proper hand position as shown.

**▲ WARNING:** To reduce the risk of serious personal injury, ALWAYS hold securely in anticipation of a sudden reaction. Proper hand position requires one hand on the main handle and the other hand holding the battery pack .

## Variable Speed Trigger and Forward/Reverse Control Button (Fig. A)

The tool is turned on and off by pulling and releasing the variable speed trigger switch . The farther the trigger is depressed, the higher the speed of the tool. Your tool is equipped with a brake. The chuck will stop as soon as the trigger switch is fully released.

A forward/reverse control button determines the rotational direction of the tool and also serves as a lock-off button.

- To select forward rotation (clockwise), release the trigger and depress the forward/reverse control button on the right side of the tool.

- To select reverse (counterclockwise), depress the forward/reverse control button on the left side of the tool.

**NOTE:** The center position of the control button locks the tool in the off position. When changing the position of the control button, be sure the trigger is released.

**NOTE:** Continuous use in variable speed range is not recommended. It may damage the switch and should be avoided.

**NOTE:** The first time the tool is run after changing the direction of rotation, you may hear a click on start-up. This is normal and does not indicate a problem.

## Worklight (Fig. A)

The worklight is activated when the trigger switch is depressed, and will automatically turn off 20 seconds after the trigger switch is released. If the trigger switch remains depressed, the worklight will remain on.

**NOTE:** The worklight is for lighting the immediate work surface and is not intended to be used as a flashlight.

## Performing an Application (Fig. A, D, E)

**▲ WARNING:** To reduce the risk of personal injury, ALWAYS ensure workpiece is anchored or clamped firmly.

**▲ WARNING:** Always wait until the motor has come to a complete standstill before changing the direction of rotation.

### Prior to Performing Work

- Set the speed selector . Refer to **Speed Selection**.
- Install the appropriate bit or accessory into the chuck. Refer to accessory installation instructions in this manual.

### ▲ WARNING:

- Do not use this tool to mix or pump easily combustible or explosive fluids (benzine, alcohol, etc.).
- Do not mix or stir flammable liquids labeled accordingly.

## Screwdriving

Your tool has a clutch with adjustable torque for driving and removing a wide array of fastener shapes and sizes. The numbers 1–15 on the mode selection collar are used to set a torque range for screwdriving. The higher the number on the collar, the higher the torque and the larger the fastener which can be driven.

- Turn the mode selection collar to the desired position. Refer to **Mode Selection**.
- Pull the trigger switch applying pressure in a straight line with the bit until the fastener is seated at the desired depth in the workpiece.

### Recommendations for Screwdriving

- Start with lower torque settings, then advance to higher torque settings to avoid damage to the workpiece or fastener.
- Make some practice runs in scrap or on unseen areas of the workpiece to determine the proper position of the mode selection collar.

## Drilling

**IMPORTANT:** For MASONRY, such as brick, cement, cinder block, etc., use carbide-tipped masonry bits.

- Turn the mode selection collar to the drill symbol. Refer to **Mode Selection**.
- Place drill bit in contact with the workpiece. **NOTE:** Use sharp drill bit only.
- Pull the trigger switch applying pressure in a straight line with the bit until it reaches the desired depth.

**▲ WARNING:** Drill may stall if overloaded causing a sudden twist. Always expect the stall. Grip the drill firmly to control the twisting action and avoid injury.

4. Keep the motor running when pulling the bit back out of a drilled hole to prevent jamming.

### Recommendations for Drilling

- When drilling, always apply pressure in a straight line with the bit, but do not push hard enough to stall the motor or deflect the bit.

#### • IF THE DRILL STALLS:

- RELEASE TRIGGER SWITCH IMMEDIATELY**, remove drill bit from work, and determine cause of stalling.

- DO NOT DEPRESS TRIGGER SWITCH ON AND OFF IN AN ATTEMPT TO START A STALLED DRILL—THIS CAN DAMAGE THE DRILL.**

- To minimize stalling or breaking through the material, reduce pressure on drill and ease the bit through the last fractional part of the hole.

## ENGLISH

- Large holes (5/16" to 1/2" [7.9 mm to 12.7 mm]) in steel can be made easier if a pilot hole (5/32" to 3/16" [4 mm to 4.8 mm]) is drilled first.
- If drilling thin material or material that is prone to splinter, use a wood "back-up" block to prevent damage to the workpiece.

### Hammerdrilling DCD799

**IMPORTANT:** Use carbide-tipped or masonry bits rated for percussion drilling only.

1. Select the desired speed/torque range using the speed selector **7** to match the speed and torque to the planned operation. Turn the mode selection collar **6** to the hammerdrill symbol.
2. Pull the trigger, applying just enough pressure on the hammer to keep it from bouncing excessively or "rising" off the bit.

### Recommendations for Hammerdrilling

- Too much force will cause slower drilling speeds, overheating, and a lower drilling rate.
- A smooth even flow of material indicates the proper drilling rate.
- Drill straight, keeping the bit at a right angle to the work. Do not exert side pressure on the bit when drilling as this will cause clogging of the bit flutes and a slower drilling speed.
- When drilling deep holes, if the hammer speed starts to drop off, pull the bit partially out of the hole with tool still running to help clear debris from the hole.

## MAINTENANCE

**▲ WARNING:** *To reduce the risk of serious personal injury, turn unit off and remove the battery pack before making any adjustments or removing/installing attachments or accessories. An accidental start-up can cause injury.*

Your DEWALT power tool has been designed to operate over a long period of time with a minimum of maintenance. Continuous satisfactory operation depends upon proper tool care and regular cleaning.

## Cleaning

**▲ WARNING:** *Blow dirt and dust out of all air vents with clean, dry air at least once a week. To minimize the risk of eye injury, always wear ANSI Z87.1 approved eye protection when performing this procedure.*

**▲ WARNING:** *Never use solvents or other harsh chemicals for cleaning the non-metallic parts of the tool. These chemicals may weaken the plastic materials used in these parts. Use a cloth dampened only with water and mild soap. Never let any liquid get inside the tool; never immerse any part of the tool into a liquid.*

## Accessories

**▲ WARNING:** *Since accessories, other than those offered by DEWALT, have not been tested with this product, use of such accessories with this product could be hazardous. To reduce the risk of injury, only DEWALT recommended accessories should be used with this product.*

Recommended accessories for use with your product are available at extra cost from your local dealer or authorized service center. If you need assistance in locating any accessory, please contact DEWALT. Call **1-800-4-DEWALT (1-800-433-9258)** or visit our website: [www.dewalt.com](http://www.dewalt.com).

## Repairs

The charger and batteries are not serviceable. There are no serviceable parts inside the charger or battery pack.

**▲ WARNING:** *To assure product SAFETY and RELIABILITY, repairs, maintenance and adjustment (including brush inspection and replacement, when applicable) should be performed by a DEWALT factory service center or a DEWALT authorized service center. Always use identical replacement parts.*

## Register Online

Thank you for your purchase. Register your product now for:

- **WARRANTY SERVICE:** Registering your product will help you obtain more efficient warranty service in case there is a problem with your product.
  - **CONFIRMATION OF OWNERSHIP:** In case of an insurance loss, such as fire, flood or theft, your registration of ownership will serve as your proof of purchase.
  - **FOR YOUR SAFETY:** Registering your product will allow us to contact you in the unlikely event a safety notification is required under the Federal Consumer Safety Act.
- Register online at [www.dewalt.com/account-login](http://www.dewalt.com/account-login).

## Three-Year Limited Warranty

For warranty terms, go to [www.dewalt.com/support/warranty](http://www.dewalt.com/support/warranty).

To request a written copy of the warranty terms, contact: Customer Service at DEWALT Industrial Tool Co., 701 East Joppa Road, Towson, MD 21286 or call **1-800-4-DEWALT (1-800-433-9258)**.

**LATIN AMERICA:** This warranty does not apply to products sold in Latin America. For products sold in Latin America, see country-specific warranty information contained in the packaging, call the local company or see website for warranty information.

**FREE WARNING LABEL REPLACEMENT:** If your warning labels become illegible or are missing, call **1-800-4-DEWALT (1-800-433-9258)** for a free replacement.



## Utilisation Prévue

Ces perceuses/visseuses/perceuses à percussion sont conçues pour des applications de perçage, de vissage et de perçage à percussion professionnelles.

**NE PAS** utiliser en conditions mouillées ou en présence de liquides ou de gaz inflammables.

**NE PAS** laisser les enfants entrer en contact avec l'outil.

Une supervision est requise lorsque des utilisateurs inexpérimentés utilisent cet outil.

## AVERTISSEMENTS GÉNÉRAUX SUR LA SÉCURITÉ DES OUTILS

**▲ AVERTISSEMENT : lisez tous les avertissements de sécurité, toutes les instructions, les illustrations et les caractéristiques fournis avec cet outil électrique. Ne pas suivre toutes les instructions comprises aux présentes peut conduire à un choc électrique, un incendie et/ou des blessures graves.**

### CONSERVER TOUS LES AVERTISSEMENTS ET TOUTES LES DIRECTIVES POUR UN USAGE ULTÉRIEUR

Le terme « outil électrique » cité dans les avertissements se rapporte à votre outil électrique à alimentation sur secteur (avec fil) ou par piles (sans fil).

#### 1) Sécurité du lieu de travail

a) **Tenir l'aire de travail propre et bien éclairée.** Les lieux encombrés ou sombres sont propices aux accidents.

b) **Ne pas faire fonctionner d'outils électriques dans un milieu déflagrant, tel qu'en présence de liquides, de gaz ou de poussières inflammables.** Les outils électriques produisent des étincelles qui pourraient enflammer la poussière ou les vapeurs.

c) **Éloigner les enfants et les personnes à proximité pendant l'utilisation d'un outil électrique.** Une distraction pourrait en faire perdre la maîtrise à l'utilisateur.

#### 2) Sécurité en matière d'électricité

a) **Les fiches des outils électriques doivent correspondre à la prise. Ne jamais modifier la fiche d'aucune façon. Ne jamais utiliser de fiche d'adaptation avec un outil électrique mis à la terre.** Le risque de choc électrique sera réduit par l'utilisation de fiches non modifiées correspondant à la prise.

b) **Éviter tout contact physique avec des surfaces mises à la terre comme des tuyaux, des radiateurs, des cuisinières et des réfrigérateurs.** Le risque de choc électrique est plus élevé si votre corps est mis à la terre.

c) **Ne pas exposer les outils électriques à la pluie ou à l'humidité.** La pénétration de l'eau dans un outil électrique augmente le risque de choc électrique.

d) **Ne pas utiliser le cordon de façon abusive. Ne jamais utiliser le cordon pour transporter, tirer ou débrancher un outil électrique. Tenir le cordon éloigné de la chaleur, de l'huile, des bords tranchants et des pièces mobiles.**

Les cordons endommagés ou enchevêtrés augmentent les risques de choc électrique.

e) **Pour l'utilisation d'un outil électrique à l'extérieur, se servir d'une rallonge convenant à cette application.** L'utilisation d'une rallonge conçue pour l'extérieur réduira les risques de choc électrique.

f) **S'il est impossible d'éviter l'utilisation d'un outil électrique dans un endroit humide, brancher l'outil dans**

**une prise ou sur un circuit d'alimentation dotés d'un disjoncteur de fuite à la terre (GFCI).** L'utilisation de ce type de disjoncteur réduit les risques de choc électrique.

#### 3) Sécurité personnelle

a) **Être vigilant, surveiller le travail effectué et faire preuve de jugement lorsqu'un outil électrique est utilisé. Ne pas utiliser d'outil électrique en cas de fatigue ou sous l'influence de drogues, d'alcool ou de médicaments.** Un simple moment d'inattention en utilisant un outil électrique peut entraîner des blessures corporelles graves.

b) **Utiliser des équipements de protection individuelle. Toujours porter une protection oculaire.** L'utilisation d'équipements de protection comme un masque antipoussière, des chaussures antidérapantes, un casque de sécurité ou des protecteurs auditifs lorsque la situation le requiert réduira les risques de blessures corporelles.

c) **Empêcher les démarrages intempestifs. S'assurer que l'interrupteur se trouve à la position d'arrêt avant de relier l'outil à une source d'alimentation et/ou d'insérer un bloc-piles, de ramasser ou de transporter l'outil.** Transporter un outil électrique alors que le doigt repose sur l'interrupteur ou brancher un outil électrique dont l'interrupteur est à la position de marche risque de provoquer un accident.

d) **Retirer toute clé de réglage ou clé avant de démarrer l'outil.** Une clé ou une clé de réglage attachée à une partie pivotante de l'outil électrique peut provoquer des blessures corporelles.

e) **Ne pas trop tendre les bras. Conserver son équilibre en tout temps.** Cela permet de mieux maîtriser l'outil électrique dans les situations imprévues.

f) **S'habiller de manière appropriée. Ne pas porter de vêtements amples ni de bijoux. Garder les cheveux, les vêtements et les gants à l'écart des pièces mobiles.** Les vêtements amples, les bijoux ou les cheveux longs risquent de rester coincés dans les pièces mobiles.

g) **Si des composants sont fournis pour le raccordement de dispositifs de dépoussiérage et de ramassage, s'assurer que ceux-ci sont bien raccordés et utilisés.** L'utilisation d'un dispositif de dépoussiérage peut réduire les dangers engendrés par les poussières.

h) **Ne pas laisser votre connaissance acquise suite l'utilisation fréquente des outils vous permettre de baisser la garde et ignorer les principes de sécurité de l'outil.** Un acte irréfléchi peut causer une blessure grave en une fraction de seconde.

#### 4) Utilisation et entretien d'un outil électrique

a) **Ne pas forcer un outil électrique. Utiliser l'outil électrique approprié à l'application.** L'outil électrique approprié effectuera un meilleur travail, de façon plus sûre et à la vitesse pour laquelle il a été conçu.

b) **Ne pas utiliser un outil électrique dont l'interrupteur est défectueux.** Tout outil électrique dont l'interrupteur est défectueux est dangereux et doit être réparé.

c) **Débranchez la fiche de la prise électrique et, si amovible, retirez le bloc-piles de l'outil avant d'effectuer tout ajustement, changement et entreposage de celui-ci.** Ces mesures préventives réduisent les risques de démarrage accidentel de l'outil électrique.

d) **Ranger les outils électriques hors de la portée des enfants et ne permettre à aucune personne n'étant pas familière avec un outil électrique ou son mode d'emploi d'utiliser cet outil.** Les outils électriques deviennent dangereux entre les mains d'utilisateurs inexpérimentés.

e) **Gardez les poignées et surfaces d'emprise propres et libres de tout produit lubrifiant. Vérifier si les pièces mobiles sont mal alignées ou coincées, si des pièces sont brisées ou présentent toute autre condition susceptible de nuire au bon fonctionnement de l'outil électrique. En cas de dommage, faire réparer l'outil électrique avant toute nouvelle utilisation.** Beaucoup d'accidents sont causés par des outils électriques mal entretenus.

f) **S'assurer que les outils de coupe sont aiguisés et propres.** Les outils de coupe bien entretenus et affûtés sont moins susceptibles de se coincer et sont plus faciles à maîtriser.

g) **Utiliser l'outil électrique, les accessoires, les forets, etc. conformément aux présentes directives en tenant compte des conditions de travail et du travail à effectuer.** L'utilisation d'un outil électrique pour toute opération autre que celle pour laquelle il a été conçu est dangereuse.

h) **Garder vos mains et les surfaces de prise sèches, propres et libres de graisse et de poussière.** Les mains et les surfaces de prise glissante ne permettent pas la manutention et le contrôle sécuritaires de l'outil dans les situations imprévues.

## 5) Utilisation et entretien du bloc-piles

a) **Ne recharger l'outil qu'au moyen du chargeur précisé par le fabricant.** L'utilisation d'un chargeur qui convient à un type de bloc-piles risque de provoquer un incendie s'il est utilisé avec un autre type de bloc-piles.

b) **Utiliser les outils électriques uniquement avec les bloc-piles conçus à cet effet.** L'utilisation de tout autre bloc-piles risque de causer des blessures ou un incendie.

c) **Lorsque le bloc-piles n'est pas utilisé, le tenir éloigné des objets métalliques, notamment des trombones, de la monnaie, des clés, des clous, des vis ou autres petits objets métalliques qui peuvent établir une connexion entre les deux bornes.** Le court-circuit des bornes du bloc-piles risque de provoquer des brûlures ou un incendie.

d) **En cas d'utilisation abusive, le liquide peut gicler hors du bloc-piles; éviter tout contact avec ce liquide. Si un contact accidentel se produit, laver à grande eau.**

**Si le liquide entre en contact avec les yeux, obtenir également des soins médicaux.** Le liquide qui gicle hors du bloc-piles peut provoquer des irritations ou des brûlures.

e) **Ne pas utiliser de bloc-piles ou outil qui a été endommagé ou modifié.** Les unités endommagées ou modifiées peuvent avoir une réaction imprévisible résultant en un incendie, une explosion ou un potentiel de blessure.

f) **Ne pas exposer de bloc-piles ou l'outil aux flammes ou à des températures excessives.** L'exposition aux flammes ou à une température au-dessus de 130 °C (265 °F) pourrait causer une explosion.

g) **Suivre toutes les instructions de recharge et ne rechargez pas le bloc-piles ou l'outil à des températures hors de la plage de température indiquée dans les instructions.** Une recharge non conforme ou à une température hors des limites spécifiées peut endommager les piles et augmenter le risque d'incendie.

## 6) Réparation

a) **Faire réparer l'outil électrique par un réparateur professionnel en n'utilisant que des pièces de rechange identiques.** Cela permettra de maintenir une utilisation sécuritaire de l'outil électriques.

b) **Ne jamais réparer des blocs-piles endommagés.** La réparation de blocs-piles doit seulement être effectuée par le fabricant ou les fournisseurs de service autorisés.

## PERCEUSE/DRIVER/IMPACT DRILL CONSIGNES DE SÉCURITÉ

### 1) Consignes de sécurité pour toutes les opérations

a) **Veillez à porter des protections auditives pendant l'utilisation.** L'exposition au bruit peut engendrer une perte de l'ouïe.

b) **Tenez l'outil électrique par les surfaces de prise isolées lorsque vous effectuez une tâche où l'accessoire de coupe ou les fixations peut entrer en contact avec le câblage dissimulé.** L'accessoire de coupe ou les fixations entrant en contact avec un câble « sous tension » peuvent exposer les pièces métalliques de l'outil électrique « sous tension » et pourraient donner un choc électrique à l'utilisateur.

### 2) Consignes de sécurité lors de l'utilisation de longues mèches

a) **Ne jamais utiliser une vitesse plus élevée que la cote de vitesse maximale de la mèche.** À des vitesses plus élevées, la mèche risque de plier si on la laisse tourner librement sans entrer en contact la pièce de travail, entraînant une blessure corporelle.

b) **Démarrez toujours le perçage à la vitesse inférieure et avec la pointe de la mèche en contact avec la pièce de travail.** À des vitesses plus élevées, la mèche risque de plier si on la laisse tourner librement sans entrer en contact la pièce de travail, entraînant une blessure corporelle.

c) **Appliquez de la pression seulement en ligne directe avec la mèche et n'appliquez pas de pression excessive.** Les mèches peuvent plier causant un bris ou une perte de contrôle, entraînant une blessure corporelle.

### Avertissements de sécurité supplémentaires pour les perceuses

• **Ne pas utiliser cet outil durant de longues périodes.**

La vibration causée par l'action du fonctionnement de cet outil peut causer des blessures permanentes aux doigts, aux mains et aux bras. Utilisez des gants pour offrir un coussin supplémentaire, prenez des pauses fréquentes et limitez la durée d'utilisation quotidienne.

• **Les mèches des perceuses et les outils deviennent chauds durant l'utilisation.** Portez des gants lorsque vous les touchez.

### Renseignements de sécurité supplémentaires

▲ **AVERTISSEMENT :** ne jamais modifier l'outil électrique ou toute pièce celui-ci. Cela pourrait entraîner des dommages matériels ou des blessures corporelles.

▲ **AVERTISSEMENT : TOUJOURS** utiliser des lunettes de sécurité. Les lunettes de tous les jours NE SONT PAS des lunettes de sécurité. De plus, utilisez un masque facial ou cache-poussière si l'opération de coupe est poussiéreuse. **PORTEZ TOUJOURS UN ÉQUIPEMENT DE SÉCURITÉ CERTIFIÉ :**

- Protection oculaire ANSI Z87.1 (CAN/CSA Z94.3),
- Protection auditive ANSI S12.6 (S3.19),
- Protection respiratoire NIOSH/OSHA/MSHA.

**▲ AVERTISSEMENT :** certaines poussières créées par le ponçage mécanique, le sciage, l'aiguisage, le perçage et autres activités de construction contiennent des produits chimiques reconnus dans l'État de la Californie pour causer le cancer et des anomalies congénitales ou autres effets nuisibles sur la reproduction. Certains exemples de ces produits chimiques sont :

- le plomb provenant des peintures à base de plomb,
- la silice cristallisée provenant des briques, du ciment et d'autres produits de la maçonnerie ainsi que
- l'arsenic et le chrome provenant du bois de construction traité chimiquement.

Votre risque à ces expositions varie selon la fréquence dont vous effectuez ce type de travail. Pour réduire votre exposition à ces produits chimiques : travaillez dans un endroit bien aéré et travaillez avec un équipement de sécurité approuvé, comme les masques anti-poussière spécialement conçus pour filtrer les particules microscopiques.

- **Portez des vêtements protecteurs et lavez vos zones exposées avec du savon et de l'eau.** Permettre à la poussière d'entrer dans votre bouche, vos yeux ou la laisser sur la peau peut favoriser l'absorption des produits chimiques dangereux. Dirigez les particules loin du visage et du corps.

- **Utilisez le dépollueur approprié pour enlever la grande majorité de la statique et de la poussière en suspension.** Ne pas enlever la statique et la poussière en suspension pourrait contaminer l'environnement de travail ou représenter un risque accru pour la santé de l'utilisateur et ceux qui sont à proximité.

- **Utilisez des serres de fixation ou un autre dispositif de fixation permettant de soutenir et de retenir la pièce sur une plate-forme stable.** Tenir la pièce avec la main ou contre le corps rend la pièce instable et risque de provoquer une perte de maîtrise de l'outil.

- **Les événements couvrent souvent des pièces qui se déplacent et doivent être évités.** Des vêtements amples, les bijoux ou les cheveux longs peuvent se coincer dans des pièces qui déplacent.

**▲ ATTENTION :** lorsque vous ne l'utilisez pas, placez l'outil sur le côté sur une surface stable là où cela n'entraînera pas un risque de trébuchement ou de chute. Certains outils avec de gros blocs-piles se tiendront debout sur le bloc-piles, mais ils peuvent facilement être renversés.

L'étiquette sur votre outil peut inclure les symboles suivants. Voici ces symboles et leur signification :

V..... volts	OPM..... oscillations par minute
Hz..... hertz	TR/MIN..... tours par minute
min..... minutes	sfpm..... pieds surface par minute
— ou CC..... courant continu	SPM..... Coups par minute
Ⓢ..... Fabrication de classe I (relié à la terre)	A..... ampères
... /min..... par minute	W..... watts
BPM..... battements par minute	Wh..... watts/heure
IPM..... impacts par minute	Ah..... ampères/heure
	~ ou CA..... courant alternatif

~ ou CA/CC..... courant alternatif ou continu	⚠..... rayonnement visible ne regardez pas la lumière
Ⓢ..... Fabrication de classe II (double isolation)	☎..... portez une protection respiratoire
n <sub>0</sub> ..... vitesse à vide	👁..... portez une protection oculaire
n..... vitesse nominale	👂..... portez des protections auditives
PSI..... livres par pouce carré	📖..... Lisez toute la documentation
Ⓡ..... borne de terre	☂..... Ne pas exposer à la pluie
⚠..... symbole d'alerte de sécurité	

## ASSEMBLAGE ET AJUSTEMENTS

**▲ AVERTISSEMENT :** afin de réduire le risque des blessures corporelles graves, arrêtez l'appareil et retirez le blocs-piles avant d'effectuer tout réglage ou de retirer/installer des pièces ou des accessoires. Un démarrage accidentel peut causer des blessures.

### Agrafe pour courroie et pince de la mèche (Fig. B) (Accessoire optionnel)

**▲ AVERTISSEMENT :** afin de réduire de blessure corporelle grave, utiliser SEULEMENT le crochet de ceinture de l'outil pour suspendre l'outil à partir de votre corps. NE PAS utiliser l'agrafe pour courroie pour attacher ou sécuriser l'outil à une personne ou un objet durant l'utilisation. NE PAS suspendre l'outil au plafond ou suspendre des objets à partir de l'agrafe pour courroie.

**▲ AVERTISSEMENT :** afin de réduire le risque de blessures graves, assurez-vous que la vis maintenant le crochet de ceinture est sécuritaire.

**IMPORTANT :** pour la fixation ou le remplacement de l'agrafe pour ceinture ou la pince de la mèche, utilisez seulement la vis 11 qui est fournie. Assurez-vous que la vis est vissée de façon sécuritaire.

L'agrafe pour courroie 12 ou la pince de la mèche 13 peut être fixée sur un côté ou l'autre de l'outil utilisant seulement la vis fournie pour accommoder les utilisateurs droitiers ou gauchers. Si vous ne souhaitez pas du tout avoir l'agrafe pour courroie ou la pince de la mèche, elles peuvent être retirées de l'outil.

Pour retirer l'agrafe pour courroie ou la pince de la mèche, retirez la vis qui la maintient en place, puis réassemblez du côté opposé. Assurez-vous que la vis est vissée de façon sécuritaire.

### Installer une mèche ou un accessoire dans un mandrin sans clé (Fig. C)

**▲ AVERTISSEMENT :** ne pas tenter de serrer les mèches (ou tout autre accessoire) en saisissant la partie avant du mandrin et en mettant l'outil en marche. Cela pourrait entraîner des dommages au mandrin ou des blessures corporelles. Verrouillez toujours la gâchette et débranchez l'outil de la source d'alimentation lorsque vous changez des accessoires.

**▲ AVERTISSEMENT :** assurez-vous toujours que la mèche est bien serrée avant de démarrer l'outil. Une mèche desserrée peut s'éjecter de l'outil causant une possible blessure corporelle.

## FRANÇAIS

Pour insérer une mèche **14** ou un autre accessoire, suivez ces étapes.

1. Éteignez l'outil et retirez le bloc-piles.
2. Saisissez la douille arrière du mandrin avec une main et utilisez l'autre main pour sécuriser l'outil. Tournez la douille dans le sens contraire des aiguilles d'une montre assez loin pour accueillir l'accessoire désiré.
3. Insérez l'accessoire à environ 19 mm (3/4 po) dans le mandrin **9** et serrez solidement en saisissant et en tournant la douille du mandrin **10** dans les sens des aiguilles d'une montre avec une main tout en tenant l'outil avec l'autre. Lorsque le mandrin est presque serré, vous entendrez un son de clic. Serrez le manchon jusqu'à ce que les dé clics s'arrêtent et qu'il ne tourne plus. L'outil est doté d'un mécanisme de verrouillage automatique de la broche qui permet d'ouvrir et de fermer le mandrin d'une seule main.
4. Assurez-vous de visser le mandrin avec une main sur la douille du mandrin et une main tenant l'outil pour un serrement maximum.
5. Pour libérer l'accessoire, répétez les étapes 1 et 2 ci-dessus.

## FONCTIONNEMENT

**▲ AVERTISSEMENT** : afin de réduire le risque des blessures corporelles graves, arrêtez l'appareil et retirez le blocs-piles avant d'effectuer tout réglage ou de retirer/installer des pièces ou des accessoires. Un démarrage accidentel peut causer des blessures.

### Sélection de la vitesse (Fig. D)

L'outil a deux réglages de vitesses pour une plus grande polyvalence.

**REMARQUE** : ne pas changer les vitesses lorsque l'outil fonctionne. Remarque : laissez toujours l'outil s'arrêter complètement avant de changer de vitesse.


1. Pour sélectionner la vitesse 1 (réglage de couple élevé), éteignez l'outil et laissez-le s'arrêter. Faites glisser le sélecteur de vitesse **7** vers l'avant (vers le mandrin).
2. Pour sélectionner la vitesse 2 (réglage de vitesse élevée), éteignez l'outil et laissez-le s'arrêter. Faites glisser le sélecteur de vitesse vers l'arrière (loin du mandrin).
3. Si l'outil ne change pas de vitesses, assurez-vous que le sélecteur de vitesses est entièrement engagé en position avant ou arrière.



### Sélection du mode (Fig. E)

Le collier de sélection du mode **6** peut être utilisé pour sélectionner le bon mode de fonctionnement selon l'application prévue.

Pour sélectionner, tournez le collier jusqu'à ce que le symbole désiré s'aligne avec la flèche.

**▲ AVERTISSEMENT** : lorsque le collier de sélection du mode est en position de perçage ou de perçage à percussion, la perceuse n'embranchera pas. La perceuse peut bloquer si elle est surchargée, causant une torsion soudaine.

DCD794	
Symbole	Mode
	Perçage
1-15	Vissage (numéro élevé = couple plus grand)

DCD799	
Symbol	Mode
	Perçage
1-15	Vissage (numéro élevé = couple plus grand)
	Perçage à percussion

## Installation et retrait du bloc-piles (Fig. F)

**▲ AVERTISSEMENT** : s'assurer que l'outil/appareil est en position « Off » avant d'insérer le bloc-piles.

**REMARQUE** : pour une meilleure performance, assurez-vous que le bloc-piles est complètement chargé.

1. Pour installer le bloc-piles **11** dans l'outil, alignez le bloc-piles avec les glissières à l'intérieur de la poignée de l'outil et glissez-le dans la poignée jusqu'à ce que le bloc-piles soit bien placé dans l'outil et assurez-vous qu'il est enclenché.
2. Pour retirer le bloc-piles de l'outil, appuyez sur le bouton de libération **2** et tirez-le fermement hors de la poignée de l'outil. Insérez-le dans le chargeur.

## Position correcte des mains (Fig. G)

**▲ AVERTISSEMENT** : pour réduire tout risque de dommages corporels graves, adopter **SYSTÉMATIQUEMENT** la position des mains illustrée.

**▲ AVERTISSEMENT** : pour réduire tout risque de dommages corporels graves, maintenir **SYSTÉMATIQUEMENT** l'outil fermement pour anticiper toute réaction soudaine.

Une position des mains appropriée nécessite une main sur la poignée principale **3** et l'autre main tenant le bloc-piles **11**.

## Gâchette de vitesse variable et bouton de commande Avancer/Reculer (Fig. A)

L'outil est mis en marche ou éteint en appuyant et en relâchant la gâchette de vitesse variable **4**. Plus vous appuyez sur la gâchette, plus la vitesse de la perceuse sera élevée. Votre outil est muni d'un frein. Le mandrin s'arrêtera lorsque vous aurez relâché complètement la gâchette.

Un bouton de commande Avancer/Reculer **5** détermine le sens de rotation de l'outil et sert aussi de bouton de verrouillage.

- Pour sélectionner la rotation vers l'avant (sens des aiguilles d'une montre), relâchez la gâchette et appuyez sur le bouton de commande Avancer/Reculer à droite de l'outil.
- Pour sélectionner la rotation vers l'arrière (sens contraire des aiguilles d'une montre), appuyez sur le bouton de commande Avancer/Reculer à gauche de l'outil.

**REMARQUE** : la position centrale du bouton de commande verrouille l'outil en position éteint. Lorsque vous changez la position du bouton de commande, assurez de relâcher la gâchette.

**REMARQUE** : une utilisation continue à une gamme de vitesses variable n'est pas recommandée. Cela peut endommager la gâchette et doit être évité.

**REMARQUE** : la première fois que l'outil fonction après un changement de sens de rotation, vous pourriez entendre un clic lors du démarrage. C'est normal et cela n'indique pas un problème.

## Lampe de travail (Fig. A)

La lampe de travail **8** est activée lorsque vous appuyez sur la gâchette et est automatiquement éteinte environ

20 secondes après que vous ayez relâché la gâchette. Si vous continuez à appuyer sur la gâchette, la lampe de travail demeurera allumée.

**REMARQUE :** la lampe de travail sert à éclairer la surface de travail immédiate et n'est pas conçue pour être utilisée comme une lampe de poche.

## Exécuter une application (Fig. A, D, E)

**▲ AVERTISSEMENT :** afin de réduire le risque de blessure corporelle, assurez-vous, TOUJOURS que la pièce de travail est solidement fixée ou serrée.

**▲ AVERTISSEMENT :** attendez toujours jusqu'à ce que le moteur s'arrête complètement avant de changer le sens de la rotation.

### Avant d'effectuer un travail

• Réglez le sélecteur de vitesses **7**. Consultez *Sélection de la vitesse*.

• Installez la mèche ou l'accessoire approprié dans le mandrin. Reportez-vous aux instructions d'installation des accessoires dans ce manuel.

### ▲ AVERTISSEMENT :

• Ne pas utiliser cet outil pour mélanger ou pomper des liquides facilement combustibles ou explosifs (benzène, alcool, etc.).

• Ne pas mélanger des liquides inflammables portant une étiquette en conséquence.

### Vissage

Votre outil a un embraye à couple ajustable pour enfoncer et retirer une vaste gamme de formes et de tailles de fixations. Les numéros 1 à 15 sur le collier de sélection du mode **6** sont utilisés pour régler la plage du couple pour le vissage. Plus le numéro du collier est élevé, plus le couple sera élevé et plus la fixation pouvant être enfoncée sera grande.

1. Tournez le collier de sélection du mode à la position désirée. Consultez *Sélection du mode*.

2. Appuyez sur la gâchette en appliquant de la pression en ligne droite avec la mèche jusqu'à ce que la fixation soit placée à la profondeur désirée dans la pièce de travail.

### Recommandations pour le vissage

- Commencez par des réglages de couples moins élevés, puis avancez vers les réglages de couples plus élevés afin d'éviter d'endommager la pièce de travail ou la fixation.
- Effectuez des essais dans des zones à éliminer ou non visibles de la pièce de travail pour déterminer la bonne position du collier de sélection du mode.

### Perçage

**IMPORTANT :** pour la MAÇONNERIE, comme la brique, du ciment, un bloc de béton, etc., utilisez des mèches de maçonnerie à pointe en carbure.

1. Tournez le collier de sélection du mode **6** vers le symbole de la perceuse. Consultez *Sélection du mode*.

2. Mettez la mèche en contact avec la pièce de travail.

**REMARQUE :** utilisez seulement une mèche affûtée.

3. Appuyez sur la gâchette en appliquant de la pression en ligne droite avec la mèche jusqu'à ce qu'elle atteigne la profondeur désirée.

**▲ AVERTISSEMENT :** la perceuse peut bloquer si elle est surchargée entraînant une torsion soudaine. Attendez-vous toujours à un blocage. Saisissez fermement le marteau pour contrôler l'action de la torsion et éviter une blessure.

4. Gardez le moteur en marche lorsque vous retirez la mèche du trou percé afin d'empêcher qu'elle se coince.

### Recommandations pour le perçage

• Lorsque vous percez, appliquez toujours de la pression en ligne droite avec la mèche, mais ne poussez pas trop fort afin que le moteur ne se bloque pas ou que la mèche ne dévie pas.

• **SI LA PERCEUSE BLOQUE :**

- **RELÂCHEZ IMMÉDIATEMENT LA GÂCHETTE**, retirez la mèche du travail et déterminez la cause du blocage.

- **NE PAS APPUYER NI RELÂCHER LA GÂCHETTE DANS LE BUT DE DÉMARRER UNE PERCEUSE BLOQUÉE : CELA PEUT ENDOMMAGER LA PERCEUSE.**

- Pour minimiser le blocage ou le bris du matériau, réduisez la pression sur la perceuse et facilitez le passage de la mèche dans la dernière partie due trou.

• Les gros trous (7,9 mm à 12,7 mm [5/16 po à 1/2 po]) dans l'acier peuvent être faits plus facilement si un trou de départ (4 mm à 4,8 mm [5/32 po à 3/16 po]) d'abord percé.

• Si vous percez un matériau mince ou un matériau qui a tendance à se fendre, utilisez un bloc de « soutien » afin d'éviter d'endommager la pièce de travail.

### Perçage à percussion DCD799

**IMPORTANT :** utilisez seulement des mèches de maçonnerie ou à pointe en carbure classées pour le perçage à percussion.

1. Sélectionnez la plage de vitesse/couple désirée à l'aide du sélecteur de vitesses **7** pour faire correspondre la vitesse et le couple à l'utilisation prévue. Tournez le collier de sélection du mode **6** vers le symbole de perçage à percussion.

2. Appuyez sur la gâchette en appliquant juste assez de pression sur le marteau pour l'empêcher de rebondir de façon excessive ou d'élever la mèche.

### Recommandations pour le perçage à percussion

• Trop de force causera des vitesses de perçage plus lentes, de la surchauffe et un niveau de perçage inférieur.

• Un flot de matériau régulier indique une vitesse de perçage appropriée.

• Percez droit en gardant la mèche à angle droit par rapport au travail. Ne pas exercer de pression sur les côtés de la mèche lorsque vous percez puisque cela peut causer une obstruction des cannelures de la mèche et une vitesse de perçage plus lente.

• Lorsque vous percez des trous profonds, si la vitesse du marteau diminue, tirez la mèche partiellement hors du trou avec l'outil encore en marche pour aider à enlever les débris du trou.

### ENTRETIEN

**▲ AVERTISSEMENT :** afin de réduire le risque des blessures corporelles graves, arrêtez l'appareil et, retirez le blocs-piles avant d'effectuer tout réglage ou de retirer/installer des pièces ou des accessoires. Un démarrage accidentel peut causer des blessures.

Votre chariot DEWALT a été conçu pour fonctionner sur une longue période avec un minimum d'entretien. Un fonctionnement satisfaisant continu dépend de l'entretien approprié et d'un nettoyage régulier de l'outil.

## Nettoyage

**▲ AVERTISSEMENT :** *enlever les saletés et la poussière hors des événements au moyen d'air comprimé propre et sec, au moins une fois par semaine. Pour minimiser le risque de blessure aux yeux, toujours porter une protection oculaire conforme à la norme ANSI Z87.1 lors du nettoyage.*

**▲ AVERTISSEMENT :** *ne jamais utiliser de solvants ni d'autres produits chimiques puissants pour nettoyer les pièces non métalliques de l'outil. Ces produits chimiques peuvent affaiblir les matériaux de plastique utilisés dans ces pièces. Utiliser un chiffon humecté uniquement d'eau et de savon doux. Ne jamais laisser de liquide pénétrer dans l'outil et n'immerger aucune partie de l'outil dans un liquide.*

## Accessoires

**▲ AVERTISSEMENT :** *les accessoires autres que DEWALT n'ayant pas été testés avec ce produit, leur utilisation avec cet outil peut s'avérer dangereuse. Pour réduire le risque de blessure, seuls les accessoires recommandés par DEWALT doivent être utilisés avec ce produit.*

Les accessoires recommandés pour utilisation avec cet outil sont disponibles à un coût supplémentaire chez votre détaillant local ou dans un centre de services autorisé. Si vous avez besoin d'aide pour localiser un accessoire, contactez DEWALT. Appelez au **1-800-4-DEWALT (1-800-433-9258)** ou consultez notre site web : [www.dewalt.com](http://www.dewalt.com).

## Réparations

Le chargeur et le bloc-piles ne sont pas réparables. Le chargeur ou le bloc-piles ne comportent aucune pièce réparable.

**▲ AVERTISSEMENT :** *pour assurer la SÉCURITÉ et la FIABILITÉ du produit, les réparations, l'entretien et les réglages doivent être réalisés (cela comprend l'inspection et le remplacement du balai, le cas échéant) par un centre de réparation en usine DEWALT ou un centre de réparation agréé DEWALT. Toujours utiliser des pièces de rechange identiques.*

## Enregistrez-vous en ligne

Nous vous remercions de votre achat. Enregistrez votre produit maintenant pour :

- **SERVICE DE GARANTIE :** l'enregistrement de votre produit en ligne vous aide à obtenir un service de garantie efficace au cas où vous auriez un problème avec votre produit.
- **CONFIRMATION DE PROPRIÉTÉ :** en cas de pertes liées aux assurances telles qu'un incendie, une inondation ou un vol, votre enregistrement de propriété servira de preuve de votre achat.
- **POUR VOTRE SÉCURITÉ :** l'enregistrement de votre produit nous permet de vous contacter dans le cas peu probable d'une notification de sécurité requise selon le Federal Consumer Safety Act.

Inscrivez-vous en ligne sur [www.dewalt.com/account-login](http://www.dewalt.com/account-login).

## Garantie limitée de trois ans

Pour les conditions de la garantie, consultez le site [www.dewalt.com/support/warranty](http://www.dewalt.com/support/warranty).

Pour demander une copie écrite des conditions de la garantie, contactez : service à la clientèle chez DEWALT Industrial Tool Co., 701 East Joppa Road, Towson, MD 21286 ou appelez le **1-800-4-DEWALT (1-800-433-9258)**.

**AMÉRIQUE LATINE :** la présente garantie ne s'applique pas aux produits vendus en Amérique Latine. Pour les produits vendus en Amérique Latine, consultez les renseignements sur la garantie particulière au pays comprise dans l'emballage, appelez l'entreprise locale ou consultez le site Web pour les renseignements complets sur la garantie.

**REMPLACEMENT DES ÉTIQUETTES D'AVERTISSEMENT GRATUIT :** si vos étiquettes d'avertissement deviennent illisibles ou sont manquantes, appelez au **1-800-4-DEWALT (1-800-433-9258)** pour un remplacement gratuit.

## Uso Pretendido

Estos taladros/destornilladores/rotomartillos están diseñados para aplicaciones profesionales de perforación, atornillado y martillado.

**NO** use bajo condiciones húmedas o en presencia de líquidos o gases inflamables.

**NO** permita que niños estén en contacto con la herramienta. Se requiere supervisión cuando operadores sin experiencia operen esta herramienta.

## ADVERTENCIAS GENERALES DE SEGURIDAD PARA HERRAMIENTAS ELÉCTRICAS

**▲ ADVERTENCIA: Lea todas las advertencias de seguridad, instrucciones, ilustraciones y especificaciones incluidas con esta herramienta eléctrica.** La falla en seguir todas las instrucciones siguientes puede resultar en descarga eléctrica, incendio y/o lesiones serias.

### CONSERVE TODAS LAS ADVERTENCIAS E INSTRUCCIONES PARA FUTURAS CONSULTAS

El término "herramienta eléctrica" incluido en las advertencias hace referencia a las herramientas eléctricas operadas con corriente (con cable eléctrico) o a las herramientas eléctricas operadas con baterías (inalámbricas).

#### 1) Seguridad en el Área de Trabajo

- Mantenga el área de trabajo limpia y bien iluminada.** Las áreas abarrotadas y oscuras propician accidentes.
- No opere las herramientas eléctricas en atmósferas explosivas, como ambientes donde haya polvo, gases o líquidos inflamables.** Las herramientas eléctricas originan chispas que pueden encender el polvo o los vapores.
- Mantenga alejados a los niños y a los espectadores de la herramienta eléctrica en funcionamiento.** Las distracciones pueden provocar la pérdida de control.

#### 2) Seguridad Eléctrica

- Los enchufes de la herramienta eléctrica deben adaptarse al tomacorriente. Nunca modifique el enchufe de ninguna manera. No utilice ningún enchufe adaptador con herramientas eléctricas con conexión a tierra.** Los enchufes no modificados y que se adaptan a los tomacorrientes reducirán el riesgo de descarga eléctrica.
- Evite el contacto corporal con superficies con descargas a tierra como, por ejemplo, tuberías, radiadores, cocinas eléctricas y refrigeradores.** Existe mayor riesgo de descarga eléctrica si su cuerpo está puesto a tierra.
- No esponga las herramientas eléctricas a la lluvia o a condiciones de humedad.** Si entra agua a una herramienta eléctrica, aumentará el riesgo de descarga eléctrica.
- No maltrate el cable. Nunca utilice el cable para transportar, tirar o desenchufar la herramienta eléctrica. Mantenga el cable alejado del calor, el aceite, los bordes filosos y las piezas móviles.** Los cables dañados o enredados aumentan el riesgo de descarga eléctrica.
- Al operar una herramienta eléctrica en el exterior, utilice un cable prolongador adecuado para tal uso.** Utilice un cable adecuado para uso en exteriores a fin de reducir el riesgo de descarga eléctrica.
- Si el uso de una herramienta eléctrica en un lugar húmedo es imposible de evitar, utilice un suministro**

**protegido con un interruptor de circuito por falla a tierra (GFCI).** El uso de un GFCI reduce el riesgo de descargas eléctricas.

#### 3) Seguridad Personal

- Permanezca alerta, controle lo que está haciendo y utilice el sentido común cuando emplee una herramienta eléctrica. No utilice una herramienta eléctrica si está cansado o bajo el efecto de drogas, alcohol o medicamentos.** Un momento de descuido mientras se opera una herramienta eléctrica puede provocar lesiones personales graves.
  - Utilice equipos de protección personal. Siempre utilice protección para los ojos.** En las condiciones adecuadas, el uso de equipos de protección, como máscaras para polvo, calzado de seguridad antideslizante, cascos o protección auditiva, reducirá las lesiones personales.
  - Evite el encendido por accidente. Asegúrese de que el interruptor esté en la posición de apagado antes de conectarlo a la fuente de energía o paquete de baterías, o antes de levantar o transportar la herramienta.** Transportar herramientas eléctricas con el dedo apoyado en el interruptor o enchufar herramientas eléctricas con el interruptor en la posición de encendido puede propiciar accidentes.
  - Retire la clavija de ajuste o la llave de tuercas antes de encender la herramienta eléctrica.** Una llave de tuercas o una clavija de ajuste que quede conectada a una pieza giratoria de la herramienta eléctrica puede provocar lesiones personales.
  - No se estire. Conserve el equilibrio y párese adecuadamente en todo momento.** Esto permite un mejor control de la herramienta eléctrica en situaciones inesperadas.
  - Use la vestimenta adecuada. No use ropas holgadas ni joyas. Mantenga el cabello, la ropa y los guantes alejados de las piezas en movimiento.** Las ropas holgadas, las joyas o el cabello largo pueden quedar atrapados en las piezas en movimiento.
  - Si se suministran dispositivos para la conexión de accesorios con fines de recolección y extracción de polvo, asegúrese de que estén conectados y que se utilicen correctamente.** El uso de dispositivos de recolección de polvo puede reducir los peligros relacionados con el polvo.
  - No permita que la familiaridad obtenida a partir del uso frecuente de herramientas le permitan volverse descuidado e ignorar los principios de seguridad de la herramienta.** Una acción descuidada puede causar lesiones severas en una fracción de segundo.
- #### 4) Uso y Mantenimiento de la Herramienta Eléctrica
- No fuerce la herramienta eléctrica. Utilice la herramienta eléctrica correcta para el trabajo que realizará.** Si se la utiliza a la velocidad para la que fue diseñada, la herramienta eléctrica correcta permite trabajar mejor y de manera más segura.
  - No utilice la herramienta eléctrica si no puede encenderla o apagarla con el interruptor.** Toda herramienta eléctrica que no pueda ser controlada mediante el interruptor es peligrosa y debe repararse.
  - Desconecte el enchufe de la fuente de alimentación y/o retire la batería, o paquete si es desmontable, de la herramienta eléctrica antes de realizar cualquier ajuste, cambiar accesorios o almacenar herramientas**

**eléctricas.** Estas medidas de seguridad preventivas reducen el riesgo de encender la herramienta eléctrica en forma accidental.

d) **Guarde la herramienta eléctrica que no esté en uso fuera del alcance de los niños y no permita que otras personas no familiarizadas con ella o con estas instrucciones operen la herramienta.** Las herramientas eléctricas son peligrosas si son operadas por usuarios no capacitados.

e) **Dé mantenimiento a las herramientas eléctricas y accesorios.** Revise que no haya piezas en movimiento mal alineadas o trabadas, piezas rotas o cualquier otra situación que pueda afectar el funcionamiento de la herramienta eléctrica. Si encuentra daños, haga reparar la herramienta eléctrica antes de utilizarla. Se producen muchos accidentes a causa de las herramientas eléctricas que carecen de un mantenimiento adecuado.

f) **Mantenga las herramientas de corte afiladas y limpias.** Las herramientas de corte con mantenimiento adecuado y con los bordes de corte afilados son menos propensas a trabarse y son más fáciles de controlar.

g) **Utilice la herramienta eléctrica, los accesorios y las brocas de la herramienta, etc. de acuerdo con estas instrucciones y teniendo en cuenta las condiciones de trabajo y el trabajo que debe realizarse.** El uso de la herramienta eléctrica para operaciones diferentes de aquéllas para las que fue diseñada podría originar una situación peligrosa.

h) **Mantenga las manijas y superficies de sujeción secas, limpias y libres de aceite y grasa.** Las manijas y superficies de sujeción resbalosas no permiten el manejo y control seguros de la herramienta en situaciones inesperadas.

## 5) Uso y Mantenimiento de la Herramienta con Baterías

a) **Recargue solamente con el cargador especificado por el fabricante.** Un cargador adecuado para un tipo de paquete de baterías puede originar riesgo de incendio si se utiliza con otro paquete de baterías.

b) **Utilice herramientas eléctricas sólo con paquetes de baterías específicamente diseñados.** El uso de cualquier otro paquete de baterías puede producir riesgo de incendio y lesiones.

c) **Cuando no utilice el paquete de baterías, manténgalo lejos de otros objetos metálicos como sujetapapeles, monedas, llaves, clavos, tornillos u otros objetos metálicos pequeños que puedan realizar una conexión desde un terminal al otro.** Los cortocircuitos en los terminales de la batería pueden provocar quemaduras o incendio.

d) **En condiciones abusivas, el líquido puede ser expulsado de la batería. Evite su contacto. Si entra en contacto accidentalmente, enjuague con agua. Si el líquido entra en contacto con los ojos, busque atención médica.** El líquido expulsado de la batería puede provocar irritación o quemaduras.

e) **No use un paquete de batería o herramienta que estén dañados o modificados.** Las baterías dañadas o modificadas pueden presentar un comportamiento impredecible que resulte en incendios, explosión o riesgo de lesiones.

f) **No exponga un paquete de batería o una herramienta a fuego o temperatura excesiva.** La

exposición a fuego o temperaturas mayores a 130 °C (265 °F) pueden causar una explosión.

g) **Siga todas las instrucciones de carga y no cargue el paquete de batería o la herramienta fuera del rango de temperatura especificado en las instrucciones.** Cargar inadecuadamente o en una temperatura fuera del rango de temperatura especificado puede dañar la batería e incrementar el riesgo de incendio.

## 6) Mantenimiento

a) **Solicite a una persona calificada en reparaciones que realice el mantenimiento de su herramienta eléctrica y que sólo utilice piezas de repuesto idénticas.** Esto garantizará la seguridad de la herramienta eléctrica.

b) **Nunca dé servicio a paquetes de batería dañados.** El servicio de paquetes de batería sólo debe ser realizado por el fabricante o proveedores de servicio autorizados.

## TALADRO/DRIVER/IMPACT DRILL ADVERTENCIAS DE SEGURIDAD

### 1) Instrucciones de seguridad para todas las operaciones

a) **Use protectores auditivos durante el uso.** La exposición al ruido puede causar pérdida de audición.

b) **Sostenga la herramienta eléctrica por las superficies de sujeción aisladas, cuando realice una operación en la que el accesorio de corte o sujetadores puedan hacer contacto con cableado oculto.** Los accesorios de corte o sujetador que hagan contacto con cable "vivo" pueden tener partes de metal expuestas de la herramienta eléctrica "viva" y podrían dar al operador una descarga eléctrica.

### 2) Instrucciones de seguridad al usar brocas largas

a) **Nunca opere a mayor velocidad que la velocidad máxima de la broca.** A velocidades más altas, es probable que la broca se doble si se permite que gire libremente sin entrar en contacto con la pieza de trabajo, lo que ocasionaría lesiones personales.

b) **Siempre comience a taladrar a baja velocidad y con la punta de la broca en contacto con la pieza de trabajo.** A velocidades más altas, es probable que la broca se doble si se permite que gire libremente sin entrar en contacto con la pieza de trabajo, lo que ocasionaría lesiones personales.

c) **Aplique presión sólo en línea recta con la broca y no aplique una presión excesiva.** Las brocas pueden doblarse y causar roturas o pérdida de control, lo que puede ocasionar lesiones personales.

## Advertencias de Seguridad Adicionales para Taladros

- **No opere esta herramienta por largos períodos de tiempo.** La vibración causada por la acción de operación de esta herramienta puede causar lesiones permanentes en los dedos, las manos y los brazos. Use guantes para proporcionar un acojinamiento adicional, tome descansos frecuentes y limite el tiempo de uso diario.

- **Las brocas y herramientas de rotomartillo se calientan durante la operación.** Use guantes cuando los toque.

## Información de Seguridad Adicional

**▲ ADVERTENCIA:** Nunca modifique la herramienta eléctrica o ninguna parte de ella. Podría resultar en daño o lesiones personales.



**▲ ADVERTENCIA: SIEMPRE** use gafas de seguridad. Las gafas de uso diario **NO** son gafas de seguridad. También use una careta o máscara de polvo si la operación de corte produce polvo. **SIEMPRE USE EQUIPO DE SEGURIDAD CERTIFICADO:**

- Protección para los ojos ANSI Z87.1 (CAN/CSA Z94.3),
- Protección auditiva ANSI S12.6 (S3.19),
- Protección respiratoria NIOSH/OSHA/MSHA.

**▲ ADVERTENCIA:** Algún polvo creado por lijado, aserrado, pulido, perforación eléctricos y otras actividades de construcción contienen químicos conocidos por el Estado de California como causantes de cáncer, defectos de nacimiento u otros daños reproductivos. Algunos ejemplos de estos químicos son:

- plomo a partir de pinturas a base de plomo,
- sílice cristalino de ladrillos y cemento y otros productos de mampostería, y
- arsénico y cromo a partir de madera tratada químicamente.

Su riesgo a partir de estas exposiciones varía, dependiendo de qué tan a menudo realice este tipo de trabajo. Para reducir su exposición a estos químicos: trabaje en un área bien ventilada, y trabaje con equipo de seguridad aprobado, tal como máscaras de polvo que estén diseñadas específicamente para filtrar partículas microscópicas.

- **Use ropa de protección y lave las áreas expuestas con agua y jabón.** Permitir que el polvo entre en su boca, ojos, o que quede sobre la piel puede promover la absorción de químicos peligrosos. Dirija las partículas lejos de la cara y el cuerpo.
- **Use la aspiradora de extracción de polvo adecuada para retirar la mayoría de polvo estático y transportado por aire.** La falla en retirar el polvo estático y transportado por aire podría contaminar el ambiente de trabajo y presentar un riesgo de salud mayor al operador y personas en las cercanías.
- **Utilice abrazaderas u otra forma práctica para asegurar y sostener la pieza de trabajo sobre una plataforma estable. Utilice abrazaderas u otra forma práctica para asegurar y sostener la pieza de trabajo en una plataforma estable.** Sostener el trabajo con la mano o contra el cuerpo no brinda la estabilidad requerida y puede llevar a la pérdida del control.
- **Las ventilas de aire a menudo cubren las partes móviles y se deben evitar.** La ropa suelta, joyería, o cabello largo podrían quedar atrapados en las partes móviles.

**▲ ATENCIÓN:** Cuando no esté en uso, coloque la herramienta en su lado sobre una superficie estable donde no cause un peligro de tropiezo o caída. Algunas herramientas con paquetes de batería grandes pueden quedar verticales sobre el paquete de batería pero se pueden voltear fácilmente.

La etiqueta en su herramienta puede incluir los siguientes símbolos. Los símbolos y sus definiciones son los siguientes:

V .....	volts	BPM .....	golpes por minuto
Hz .....	hertz	IPM .....	impactos por minuto
min .....	minutos	OPM .....	oscilaciones por minuto
— — — o CD .....	corriente directa	RPM .....	revoluciones por minuto
Ⓜ .....	Construcción Clase I (conectada a tierra)		
.../min .....	por minuto		

sfpm .....	pies de superficie por minuto	Ⓜ .....	terminal de tierra
SPM .....	carreras por minuto	▲ .....	símbolo de alerta de seguridad
A .....	ampéres	⚠ .....	radiación visible no mirar directamente a la luz
W .....	watts	Ⓜ .....	use protección respiratoria
Wh .....	Watt Horas	Ⓜ .....	use protección para los ojos
Ah .....	amperios hora	Ⓜ .....	use protección auditiva
~ o CA .....	corriente alterna	📖 .....	lea toda la documentación
⎓ o CA/CD .....	corriente alterna o directa	☔ .....	no exponga a la lluvia
Ⓜ .....	Construcción Clase II (aislamiento doble)		
n <sub>0</sub> .....	sin carga velocidad		
n .....	velocidad nominal		
PSI .....	libras por pulgada cuadrada		

## ENSAMBLE Y AJUSTES

**▲ ADVERTENCIA:** Para reducir el riesgo de lesiones personales serias, apague la unidad y retire el paquete de batería antes de realizar cualquier ajuste o retirar/instalar conexiones o accesorios. Un arranque accidental puede causar lesiones.

### Gancho de cinturón y sujetador de broca (Fig. B) (Accesorio opcional)

**▲ ADVERTENCIA:** Para reducir el riesgo de lesiones personales serias, SÓLO use el gancho de cinturón de la herramienta para colgar la herramienta de un cinturón de trabajo. **NO** use el gancho de cinturón para anclar o asegurar la herramienta a una persona u objeto durante el uso. **NO** suspenda la herramienta por arriba de su cabeza o suspenda objetos del gancho del cinturón.

**▲ ADVERTENCIA:** Para reducir el riesgo de lesiones personales serias, asegúrese que el tornillo que sujeta el gancho de cinturón esté seguro.

**IMPORTANTE:** Cuando conecte o reemplace el gancho del cinturón o sujetador de broca, sólo use el tornillo **11** incluido. Asegúrese de apretar firmemente el tornillo.

El gancho de cinturón **12** y el sujetador de broca **13** se pueden colocar en cualquier lado de la herramienta utilizando únicamente el tornillo incluido, para acomodarse a usuarios zurdos o diestros. Si el gancho de cinturón o el sujetador de broca no se desean en absoluto, se pueden retirar de la herramienta.

Para mover el gancho de cinturón o sujetador de broca, retire el tornillo que lo sostiene en su lugar y vuelva a ensamblarlo en el lado opuesto. Asegúrese de apretar firmemente el tornillo.

### Instalación de Broca o Accesorio en Mandril sin Llave (Fig. C)

**▲ ADVERTENCIA:** No intente apretar brocas (ni ningún otro accesorio) sujetando la parte delantera del mandril y encendiendo la herramienta. Pueden resultar daños en el mandril y lesiones personales. Siempre bloquee el interruptor de gatillo y desconecte la herramienta de la fuente de alimentación cuando cambie los accesorios.

**▲ ADVERTENCIA:** Siempre asegúrese que la broca está asegurada antes de arrancar la herramienta. Una broca

suelta puede ser expulsada de la herramienta causando posibles lesiones personales.

Para insertar una broca **14** u otro accesorio, siga estos pasos.

1. Apague la herramienta y retire el paquete de batería.
2. Sujete la camisa negra del mandril con una mano y utilice la otra mano para sujetar la herramienta. Gire la camisa en sentido contrario a las manecillas del reloj lo suficiente para aceptar el accesorio deseado.
3. Inserte el accesorio aproximadamente 19 mm (3/4") en el mandril **9** y apriételo firmemente sujetando y girando la camisa del mandril **10** en sentido de las manecillas del reloj con una mano mientras sostiene la herramienta con la otra mano. Cuando el mandril esté casi apretado escuchará un sonido de clic. Apriete el mango hasta que los clics se detengan y no gire más. Su herramienta está equipada con un mecanismo de bloqueo automático del husillo. Esto le permite abrir y cerrar el mandril con una sola mano.
4. Asegúrese de apretar el mandril con una mano sobre la camisa del mandril y una mano sosteniendo la herramienta para obtener el máximo apriete.
5. Para liberar el accesorio, repita los pasos 1 y 2 anteriores.

## OPERACIÓN

**▲ ADVERTENCIA:** Para reducir el riesgo de lesiones personales severas, apague la unidad y retire el paquete de batería antes de realizar cualquier ajuste o retirar/instalar conexiones o accesorios. Un arranque accidental puede causar lesiones.

### Selección de Velocidad (Fig. D)

La herramienta presenta dos ajustes de velocidad para mayor versatilidad.

**NOTA:** No cambie velocidades cuando la herramienta esté en operación. Siempre permita que la herramienta se detenga por completo antes de cambiar la velocidad.

1. Para seleccionar la velocidad 1 (ajuste de par alto), apague la herramienta y permita que se detenga. Deslice el selector de velocidad **7** hacia adelante (hacia el portabrocas).
2. Para seleccionar la velocidad 2 (configuración de alta velocidad), apague la herramienta y permita que se detenga. Deslice el selector de velocidad hacia atrás (lejos del portabrocas).
3. Si la herramienta no cambia velocidades, confirme que el interruptor de selección de velocidad esté conectado completamente en la posición delantera o trasera.

### Selección de Modo (Fig. E)

El collar de selección de modo **6** se puede usar para seleccionar el modo de operación correcto dependiendo de la aplicación planificada.

Para seleccionar, gire el collar hasta que el símbolo deseado se alinee con la flecha.

**▲ ADVERTENCIA:** Cuando el collar de selección de modo esté en las posiciones de taladro o rotomartillo, el taladro no se embraga. El taladro puede atorarse si se sobrecarga causando un giro repentino.

DCD794	
Símbolo	Modo
	Perforación
1-15	Atornillado (mayor número = mayor torque)

DCD799	
Symbol	Mode
	Perforación
1-15	Atornillado (mayor número = mayor torque)
	Rotoperforación

## Instalación y Desinstalación de Paquete de Batería (Fig. F)

**▲ ADVERTENCIA:** Asegúrese que la herramienta/aparato esté en la posición de apagado antes de insertar el paquete de batería.

**NOTA:** Para mejores resultados, asegúrese que su paquete de batería esté completamente cargado.

1. Para instalar el paquete de batería **1** en la manija de la herramienta, alinee el paquete de la batería con los rieles dentro de la manija de la herramienta y deslícelo en la manija hasta que el paquete de batería esté asentado firmemente en la herramienta y asegúrese que no se desconecte.
2. Para retirar el paquete de batería de la herramienta, presione el botón de liberación **2** y jale firmemente el paquete de batería fuera de la manija de la herramienta. Insértelo en el cargador.

### Posición Adecuada de las Manos (Fig. G)

**▲ ADVERTENCIA:** Para reducir el riesgo de lesión personal grave, tenga **SIEMPRE** las manos en una posición adecuada como se muestra.

**▲ ADVERTENCIA:** Para reducir el riesgo de lesión personal grave, sujete **SIEMPRE** bien en caso de que haya una reacción repentina.

La posición correcta de la mano requiere una mano en el mango principal **3** y la otra mano sosteniendo el paquete de la batería **1**.

### Gatillo de Velocidad Variable y Botón de Control de Avance/Reversa (Fig. A)

La herramienta se enciende y apaga jalando y liberando el gatillo de velocidad variable **4**. Mientras más se presione el gatillo, mayor será la velocidad de la herramienta. Su herramienta está equipada con un freno. El mandril se detendrá tan pronto como el interruptor de gatillo se libere por completo.

Un botón de control de avance/reversa **5** determina la dirección de rotación de la herramienta y también sirve como un botón de bloqueo en apagado.

- Para seleccionar la rotación de avance (en sentido de las manecillas del reloj), libere el gatillo y presione el botón de control de avance/reversa en el lado derecho de la herramienta.
- Para seleccionar la reversa (en sentido contrario a las manecillas del reloj), presione el botón de control de avance/reversa en el lado izquierdo de la herramienta.

**NOTA:** La posición central del botón de control bloquea la herramienta en la posición apagada. Cuando cambie la posición del botón de control, asegúrese que se libere el gatillo.

**NOTA:** No se recomienda el uso continuo en rango de velocidad variable. Puede dañar el interruptor y se debe evitar.

**NOTA:** La primera vez que se opere la herramienta después de cambiar la dirección de rotación, puede escuchar un clic al encender. Esto es normal y no indica un problema.

### Luz de trabajo (Fig. A)

La luz de trabajo **B** se activa cuando se presiona el interruptor de gatillo, y se apagará automáticamente aproximadamente 20 segundos después que se libere el interruptor de gatillo. Si el interruptor de gatillo permanece presionado, la luz de trabajo permanecerá encendida.

**NOTA:** La luz de trabajo es para iluminar la superficie de trabajo inmediata y no se pretende que se use como una linterna.

### Realización de Aplicación (Fig. A, D, E)

**▲ ADVERTENCIA:** Para reducir el riesgo de lesiones personales, SIEMPRE asegúrese que la pieza de trabajo esté anclada o asegurada firmemente.

**▲ ADVERTENCIA:** Siempre espere hasta que el motor se detenga por completo antes de cambiar la dirección de rotación.

#### Antes de Realizar el Trabajo

• Ajuste el selector de velocidad **7**. Consulte **Selección de Velocidad**.

• Instale la broca o accesorio apropiado en el mandril. Consulte las instrucciones de instalación de accesorio en este manual.

#### ▲ ADVERTENCIA:

• No utilice esta herramienta para mezclar o bombear fluidos fácilmente combustibles o explosivos (bencina, alcohol, etc.).

• No mezcle ni agite líquidos inflamables etiquetados de forma correspondiente.

### Destornillar

Su herramienta tiene un embrague con torque ajustable para introducir y retirar una amplia variedad de formas y tamaños de sujetadores. Los números 1–15 en el collar de selección de modo **6** se usan para ajustar un rango de torque al atornillar. Cuanto mayor sea el número en el collar, mayor será el torque y mayor será el sujetador que puede ser impulsado.

1. Gire el collar de selección de modo en la posición deseada. Consulte **Selección de Modo**.

2. Jale el interruptor de gatillo aplicando presión en línea recta con la broca hasta que el sujetador se asiente a la profundidad deseada en la pieza de trabajo.

#### Recomendaciones para Atornillar

• Comience con ajustes de par de torsión más bajos, luego avance a ajustes de torsión más altos para evitar daños a la pieza de trabajo o sujetador.

• Realice algunos recorridos de práctica en chatarra o en áreas que no se verán de la pieza de trabajo para determinar la posición correcta del collar de selección de modo.

### Perforación

**IMPORTANTE:** Para MAMPOSTERÍA, como ladrillo, cemento, bloques de hormigón, etc., use brocas de mampostería con punta de carburo.

1. Gire el collar de selección de modo **6** al símbolo de perforación. Consulte **Selección de Modo**.

2. Coloque la broca en contacto con la pieza de trabajo.

**NOTA:** Use sólo brocas afiladas.

3. Jale el interruptor de gatillo aplicando presión en línea recta con la broca hasta que alcance la profundidad deseada.

**▲ ADVERTENCIA:** El taladro puede atorarse si se sobrecarga causando un giro repentino. Siempre espere el atoramiento. Sujete el taladro firmemente para controlar la acción de giro y evitar lesiones.

4. Mantenga el motor en operación mientras retrae la broca del orificio perforado para evitar atascamiento.

#### Recomendaciones para la Perforación

• Al perforar, aplique siempre presión en línea recta con la broca, pero no presione lo suficiente para detener el motor o desviar la broca.

• **SI EL TALADRO SE DETIENE:**

- **LIBERE EL INTERRUPTOR DE GATILLO**

**INMEDIATAMENTE**, retire la broca del trabajo, y determine la causa de atascamiento.

- **NO PRESIONE EL INTERRUPTOR DEL GATILLO PARA ENCENDER Y APAGAR PARA INTENTAR ARRANCAR UN TALADRO ATASCADO, ESTO PUEDE DAÑAR LA BROCA.**

- Para minimizar el estancamiento o rompimiento del material, reduzca la presión sobre el taladro y facilite la perforación a través de la última parte fraccionaria del orificio.

• Se pueden perforar agujeros grandes (7,9 mm a 12,7 mm [5/16" a 1/2"]) en acero si se perfora un orificio piloto (4 mm a 4,8 mm [5/32" a 3/16"]) primero.

• Si taladra material delgado o propenso a astillarse, use un bloque de madera de "respaldo" para evitar daños a la pieza de trabajo.

### Rotoperforación DCD799

**IMPORTANTE:** Utilice brocas con punta de carburo o para mampostería clasificadas para la perforación de percusión solamente.

1. Seleccione el rango de velocidad/torque deseado con el selector de velocidad **7** para igualar la velocidad y torque para la operación planeada. Gire el collar de selección de modo **6** al símbolo de rotomartillo.

2. Jale el gatillo, aplicando presión suficiente sobre el martillo para evitar que rebote excesivamente o que se "levante" de la broca.

#### Recomendaciones para perforación con rotomartillo

• Demasiada fuerza causará velocidades de perforación más lentas, sobrecalentamiento y una menor tasa de perforación.

• Un flujo suave y uniforme de material indica la velocidad adecuada de perforación.

• Perfore de forma recta, manteniendo la broca en ángulo recto con el trabajo. No ejerza presión lateral sobre la broca cuando perfore ya que esto provocará obstrucción de las ranuras de la broca y una velocidad de perforación más lenta.

## ESPAÑOL

• Al perforar orificios profundos, si la velocidad del martillo comienza a disminuir, saque la broca parcialmente del orificio con la herramienta todavía en funcionamiento para ayudar a despejar los desechos del orificio.

## MANTENIMIENTO

**▲ ADVERTENCIA:** Para reducir el riesgo de lesiones personales severas, apague la unidad y retire el paquete de batería antes de realizar cualquier ajuste o retirar/instalar conexiones o accesorios. Un arranque accidental puede causar lesiones.

Su herramienta DEWALT ha sido diseñada para funcionar durante un largo período con un mínimo de mantenimiento. Un funcionamiento continuo satisfactorio depende del cuidado adecuado de la herramienta y de una limpieza periódica.

## Limpieza

**▲ ADVERTENCIA:** Sople la suciedad y el polvo de todos los conductos de ventilación con aire seco, al menos una vez por semana. Para reducir el riesgo de lesiones, utilice siempre protección para los ojos aprobada ANSI Z87.1 al realizar esta tarea.

**▲ ADVERTENCIA:** Nunca utilice solventes ni otros químicos abrasivos para limpiar las piezas no metálicas de la herramienta. Estos productos químicos pueden debilitar los materiales plásticos utilizados en estas piezas. Utilice un paño humedecido sólo con agua y jabón neutro. Nunca permita que penetre líquido dentro de la herramienta ni sumerja ninguna de las piezas en un líquido.

## Accesorios

**▲ ADVERTENCIA:** Ya que los accesorios, diferentes a los ofrecidos por DEWALT, no han sido probados con este producto, el uso de tales accesorios con esta herramienta podría ser peligroso. Para reducir el riesgo de lesiones, sólo se deben usar accesorios recomendados por DEWALT con este producto.

Los accesorios recomendados para uso con su herramienta están disponibles por un costo adicional a partir de su distribuidor local o centro de servicio autorizado. Si necesita asistencia para localizar cualquier accesorio, póngase en contacto con DEWALT. Llame al **1-800-4-DEWALT (1-800-433-9258)** o visite nuestro sitio web: [www.dewalt.com](http://www.dewalt.com).

## Reparaciones

El Cargador y las unidades de batería no pueden ser reparados. El cargador y la unidad de batería no contienen piezas reparables.

**▲ ADVERTENCIA:** Para asegurar la SEGURIDAD y la CONFIABILIDAD del producto, las reparaciones, el mantenimiento y los ajustes (inclusive la inspección y el cambio de las escobillas, cuando proceda) deben ser realizados en un centro de mantenimiento en la fábrica DEWALT/DEWALT u en un centro de mantenimiento autorizado DEWALT/DEWALT. Utilice siempre piezas de repuesto idénticas.

**Para reparación y servicio de sus herramientas eléctricas, favor de dirigirse al Centro de Servicio más cercano**

## CULIACAN, SIN

Bldv. Emiliano Zapata 5400-1 Poniente Col. (667) 717 89 99  
San Rafael

## GUADALAJARA, JAL

Av. La Paz #1779 - Col. Americana Sector (33) 3825 6978  
Juárez

## MEXICO, D.F.

Eje Central Lázaro Cárdenas No. 18 - Local (55) 5588 9377  
D, Col. Obrera

## MERIDA, YUC

Calle 63 #459-A - Col. Centro (999) 928 5038

## MONTERREY, N.L.

Av. Francisco I. Madero 831 Poniente - Col. (818) 375 23 13  
Centro

## PUEBLA, PUE

17 Norte #205 - Col. Centro (222) 246 3714

## QUERETARO, QRO

Av. San Roque 274 - Col. San Gregorio (442) 2 17 63 14

## SAN LUIS POTOSI, SLP

Av. Universidad 1525 - Col. San Luis (444) 814 2383

## TORREON, COAH

Bldv. Independencia, 96 Pte. - Col. Centro (871) 716 5265

## VERACRUZ, VER

Prolongación Díaz Mirón #4280 - Col. Remes (229) 921 7016

## VILLAHERMOSA, TAB

Constitución 516-A - Col. Centro (993) 312 5111

### PARA OTRAS LOCALIDADES:

Si se encuentra en México, por favor llame al (55) 5326 7100

Si se encuentra en U.S., por favor llame al  
**1-800-4-DEWALT (1-800-433-9258)** o visite nuestro  
sitio web: [www.dewalt.com](http://www.dewalt.com)

## Póliza de Garantía

IDENTIFICACIÓN DEL PRODUCTO:

Sello o firma del Distribuidor.

Nombre del producto: \_\_\_\_\_

Mod./Cat.: \_\_\_\_\_

Marca: \_\_\_\_\_

Núm. de serie: \_\_\_\_\_

(Datos para ser llenados por el distribuidor)

Fecha de compra y/o entrega del producto:

Nombre y domicilio del distribuidor donde se adquirió el producto:

Este producto está garantizado por un año a partir de la fecha de entrega, contra cualquier defecto en su funcionamiento, así como en materiales y mano de obra empleados para su fabricación. Nuestra garantía incluye la reparación o reposición del producto y/o componentes sin cargo alguno para el cliente, incluyendo mano de obra, así como los gastos de transportación razonablemente erogados derivados del cumplimiento de este certificado. Para hacer efectiva esta garantía deberá presentar su herramienta y esta póliza sellada por el establecimiento

comercial donde se adquirió el producto, de no contar con ésta, bastará la factura de compra.

### Excepciones

Esta garantía no será válida en los siguientes casos:

- Cuando el producto se hubiese utilizado en condiciones distintas a las normales;
- Cuando el producto no hubiese sido operado de acuerdo con el instructivo de uso que se acompaña;
- Cuando el producto hubiese sido alterado o reparado por personas distintas a las enlistadas al final de este certificado.

Anexo encontrará una relación de sucursales de servicio de fábrica, centros de servicio autorizados y franquiciados en la República Mexicana, donde podrá hacer efectiva su garantía y adquirir partes, refacciones y accesorios originales.

Solamente para propósito de México:

Importado por: DeWALT S.A de C.V.

Antonio Dovali Jaime #70 Torre C Piso 8

Col. Santa Fe Alvaro Obregon,

Ciudad de Mexico, Mexico.

C.P 01210

TEL( 52 ) 55 53267100

R.F.C.BDE8106261W7

### Registro en Línea

Gracias por su compra. Registre su producto ahora para:

- **SERVICIO EN GARANTÍA:** Si completa esta tarjeta, podrá obtener un servicio en garantía más eficiente, en caso de que exista un problema con su producto.
- **CONFIRMACIÓN DE PROPIEDAD:** En caso de una pérdida que cubra el seguro, como un incendio, una inundación o un robo, el registro de propiedad servirá como comprobante de compra.
- **PARA SU SEGURIDAD:** Si registra el producto, podremos comunicarnos con usted en el caso improbable que se deba enviar una notificación de seguridad conforme a la Federal Consumer Safety Act (Ley Federal de Seguridad de Productos para el Consumidor).

Registro en línea en [www.dewalt.com/account-login](http://www.dewalt.com/account-login).

### Garantía Limitada de Tres Años

Para los términos de garantía, visite [www.dewalt.com/support/warranty](http://www.dewalt.com/support/warranty).

Para solicitar una copia escrita de los términos de garantía, póngase en contacto con: Servicio al Cliente en DeWALT Industrial Tool Co., 701 East Joppa Road, Towson, MD 21286 o llame al **1-800-4-DeWALT (1-800-433-9258)**.

**AMÉRICA LATINA:** Esta garantía no aplica a productos vendidos en América Latina. Para productos vendidos en América Latina, consulte la información de garantía específica contenida en el empaque, llame a la compañía local o consulte la página de Internet respecto a la información de garantía.

### REEMPLAZO GRATUITO DE ETIQUETA DE ADVERTENCIA:

Si sus etiquetas de advertencia se vuelven ilegibles o faltan, llame al **1-800-4-DeWALT (1-800-433-9258)** para reemplazo gratuito.





**Compatible battery packs and chargers / Blocs-piles et chargeurs compatibles /  
Baterías y cargadores compatibles**

Battery Packs Blocos-piles Baterías	DCB201, DCB203, DCB203G, DCB204, DCB204BT, DCB205, DCB205G, DCB205BT, DCB206, DCB208, DCB210, DCB230, DCB240, DCBP034, DCBP520, DCB606, DCB609, DCB609G, DCB612, DCB615
Chargers Chargeurs Cargadores	DCB094, DCB102, DCB103, DCB104, DCB107, DCB112, DCB113, DCB115, DCB118, DCB132, DCB1102, DCB1104, DCB1106, DCB1112

**▲ WARNING:** Use of any other battery packs may create a risk of injury and fire.

**▲ AVERTISSEMENT :** utiliser d'autres blocs-piles peut créer un risque de blessure ou d'incendie.

**▲ ADVERTENCIA:** El uso de cualquier otro paquete de batería puede crear un riesgo de lesiones e incendio.

**NOTE:** DO NOT charge when the battery pack is below 40 ° F (4.5 ° C) or above 104 ° F (40 ° C). Do not store or use the tool and battery pack in locations where the temperature may reach or exceed 104 ° F (40 ° C).

**REMARQUE :** NE PAS charger lorsque le bloc-piles est en dessous de 4,5 ° C (40 ° F) ou au-dessus de 40 ° C (104 ° F). Ne pas entreposer ou utiliser l'outil et le bloc-piles dans des endroits où la température peut atteindre ou excéder 40 ° C (104 ° F).

**NOTA:** NO cargue cuando el paquete de batería esté debajo de 4,5 ° C (40 ° F), o arriba de 40 ° C (104 ° F). No almacene ni use la herramienta y el paquete de baterías en lugares donde la temperatura pueda alcanzar o exceder los 40 ° C (104 ° F).

*\* Maximum initial battery voltage (measured without a workload) is 20, 60 or 120 volts. Nominal voltage is 18, 54 or 108. (120V Max\* is based on using 2 DEWALT 60V Max\* lithium-ion batteries combined.)*

*\* La tension initiale maximum du bloc-piles (mesurée à vide) est de 20, 60 ou 120 volts. La tension nominale est de 18, 54 ou 108. (120V max\* se base sur l'utilisation combinée de 2 blocs-piles au lithium ion DEWALT de 60V max\*.)*

*\* El máximo voltaje inicial de la batería (medido sin carga de trabajo) es 20, 60 o 120 voltios. El voltaje nominal es de 18, 54 o 108V. (120V Máx\* se basan en el uso de 2 baterías de iones de litio DEWALT de 60V Máx\* combinadas.)*

DEWALT Industrial Tool Co., 701 East Joppa Road, Towson, MD 21286  
Copyright © 2021, 2022, 2024

The following are trademarks for one or more DEWALT power tools: the yellow and black color scheme, the "D" shaped air intake grill, the array of pyramids on the handgrip, the kit box configuration, and the array of lozenge-shaped humps on the surface of the tool.