

If you have questions or comments, contact us.  
Pour toute question ou tout commentaire, nous contacter.  
Si tiene dudas o comentarios, contáctenos.

1-800-4-DEWALT • www.dewalt.com

INSTRUCTIVO DE OPERACIÓN, CENTROS DE SERVICIO Y PÓLIZA  
DE GARANTÍA. ADVERTENCIA: LEASE ESTE INSTRUCTIVO ANTES  
DE USAR EL PRODUCTO.

INSTRUCTION MANUAL  
GUIDE D'UTILISATION  
MANUAL DE INSTRUCCIONES

# DEWALT®

DC490, DC495, DW940, DW941  
Cordless Swivel Head Shears  
Cisailles sans fil à tête pivotante  
Cizalla inalámbrica de cabezal giratorio

DEWALT Industrial Tool Co., 701 East Joppa Road, Baltimore, MD 21286.  
(DEC06) Form No. 649606-00 DC490, DC495, DW940, DW941  
Copyright © 2003, 2004, 2006 DEWALT

The following are trademarks for one or more DEWALT power tools: the yellow and black color scheme; the "D" shaped air intake grill; the array of pyramids on the handgrip; the kit box configuration; and the array of lozenge-shaped humps on the surface of the tool.

## Definitions: Safety Guidelines

The definitions below describe the level of severity for each signal word. Please read the manual and pay attention to these symbols.

**⚠ DANGER:** Indicates an imminently hazardous situation which, if not avoided, will result in death or serious injury.

**⚠ WARNING:** Indicates a potentially hazardous situation which, if not avoided, could result in death or serious injury.

**⚠ CAUTION:** Indicates a potentially hazardous situation which, if not avoided, may result in minor or moderate injury.

**CAUTION:** Used without the safety alert symbol indicates a potentially hazardous situation which, if not avoided, may result in property damage.

IF YOU HAVE ANY QUESTIONS OR COMMENTS ABOUT THIS OR ANY DEWALT TOOL, CALL US TOLL FREE AT: 1-800-4-DEWALT (1-800-433-9258)

## General Safety Rules – For All Battery Operated Tools

**⚠ WARNING!** Read and understand all instructions. Failure to follow all instructions listed below may result in electric shock, fire and/or serious personal injury.

### SAVE THESE INSTRUCTIONS

#### WORK AREA

- Keep your work area clean and well lit. Cluttered benches and dark areas invite accidents.
- Do not operate power tools in explosive atmospheres, such as in the presence of flammable liquids, gases, or dust. Power tools create sparks which may ignite the dust or fumes.
- Keep bystanders, children, and visitors away while operating a power tool. Distractions can cause you to lose control.

#### ELECTRICAL SAFETY

- Do not abuse the cord. Never use the cord to carry the tool. Keep cord away from heat, oil, sharp edges or moving parts. Replace damaged cords immediately. Damaged cords may create a fire.
- A battery operated tool with integral batteries or a separate battery pack must be recharged only with the specified charger for the battery. A charger that may be suitable for one type of battery may create a risk of fire when used with another battery.
- Use battery operated tool only with the specifically designated battery pack. Use of any other batteries may create a risk of fire.

#### PERSONAL SAFETY

- Stay alert, watch what you are doing and use common sense when operating a power tool. Do not use tool while tired or under the influence of drugs, alcohol, or medication. A moment of inattention while operating power tools may result in serious personal injury.
- Dress properly. Do not wear loose clothing or jewelry. Contain long hair. Keep your hair, clothing, and gloves away from moving parts. Loose clothing, jewelry, or long hair can be caught in moving parts. Air vents often cover moving parts and should also be avoided.
- Avoid accidental starting. Be sure switch is in the locked or off position before inserting battery pack. Carrying tools with your finger on the switch or inserting the battery pack into a tool with the switch on invites accidents.
- Remove adjusting keys or wrenches before turning the tool on. A wrench or a key that is left attached to a rotating part of the tool may result in personal injury.
- Do not overreach. Keep proper footing and balance at all times. Proper footing and balance enables better control of the tool in unexpected situations.
- Use safety equipment. Always wear eye protection. Dust mask, non-skid safety shoes, hard hat, or hearing protection must be used for appropriate conditions.

#### TOOL USE AND CARE

- Use clamps or other practical way to secure and support the workpiece to a stable platform. Holding the work by hand or against your body is unstable and may lead to a loss of control.
- Do not force tool. Use the correct tool for your application. The correct tool will do the job better and safer at the rate for which it is designed.
- Do not use tool if switch does not turn it on or off. A tool that cannot be controlled with the switch is dangerous and must be repaired.
- Disconnect battery pack from tool or place the switch in the locked or off position before making any adjustments, changing accessories, or storing the tool. Such preventative safety measures reduce the risk of starting the tool accidentally.
- Store idle tools out of reach of children and other untrained persons. Tools are dangerous in the hands of untrained users.
- When battery pack is not in use, keep it away from other metal objects like: paper clips, coins, keys, nails, screws, or other small metal objects that can make a connection from one terminal to another. Shorting the battery terminals together may cause sparks, burns, or a fire.
- Maintain tools with care. Keep cutting tools sharp and clean. Properly maintained tools, with sharp cutting edges are less likely to bind and are easier to control.
- Check for misalignment or binding of moving parts, breakage of parts, and any other condition that may affect the tool's operation. If damaged, have the tool serviced before using. Many accidents are caused by poorly maintained tools.
- Use only accessories that are recommended by the manufacturer for your model. Accessories that may be suitable for one tool, may create a risk of injury when used on another tool.

#### SERVICE

- Tool service must be performed only by qualified repair personnel. Service or maintenance performed by unqualified personnel may result in a risk of injury.
- When servicing a tool, use only identical replacement parts. Follow instructions in the Maintenance section of this manual. Use of unauthorized parts or failure to follow Maintenance Instructions may create a risk of shock or injury.

## Additional Safety Rules

- Hold tool by insulated gripping surfaces when performing an operation where the tool may contact hidden wiring. Contact with a "live" wire will also make exposed metal parts of the tool "live" and shock the operator.

**⚠ WARNING: ALWAYS** use safety glasses. Everyday eyeglasses are NOT safety glasses. Also use face or dust mask if cutting operation is dusty. ALWAYS WEAR CERTIFIED SAFETY EQUIPMENT:

- ANSI Z87.1 eye protection (CAN/CSA Z94.3)
- ANSI S12.6 (S3.19) hearing protection
- NIOSH/OSHA/MSHA respiratory protection.

**⚠ WARNING:** Some dust created by power sanding, sawing, grinding, drilling, and other construction activities contains chemicals known to cause cancer, birth defects or other reproductive harm. Some examples of these chemicals are:

- lead from lead-based paints,
- crystalline silica from bricks and cement and other masonry products, and
- arsenic and chromium from chemically-treated lumber (CCA).

Your risk from these exposures varies, depending on how often you do this type of work. To reduce your exposure to these chemicals: work in a well ventilated area, and work with approved safety equipment, such as those dust masks that are specially designed to filter out microscopic particles.

- Avoid prolonged contact with dust from power sanding, sawing, grinding, drilling, and other construction activities. Wear protective clothing and wash exposed areas with soap and water. Allowing dust to get into your mouth, eyes, or lay on the skin may promote absorption of harmful chemicals.

**⚠ WARNING:** Use of this tool can generate and/or disburse dust, which may cause serious and permanent respiratory or other injury. Always use NIOSH/OSHA approved respiratory protection appropriate for the dust exposure. Direct particles away from face and body.

**⚠ WARNING:** Always wear proper personal hearing protection that conforms to ANSI S12.6 (S3.19) during use. Under some conditions and duration of use, noise from this product may contribute to hearing loss.

**⚠ CAUTION:** When not in use, place tool on its side on a stable surface where it will not cause a tripping or falling hazard. Some tools with large battery packs will stand upright on the battery pack but may be easily knocked over.

- The label on your tool may include the following symbols. The symbols and their definitions are as follows:

V..... volts	A ..... amperes
Hz..... hertz	W ..... watts
min ..... minutes	~ ..... alternating current
==== ..... direct current	n <sub>o</sub> ..... no load speed
Ⓢ ..... Class I Construction (grounded)	Ⓢ ..... earthing terminal
Ⓢ ..... Class II Construction (double insulated)	⚠ ..... safety alert symbol
BPM ..... beats per minute	.../min ..... revolutions or reciprocation per minute

## Important Safety Instructions for Battery Packs

Your tool uses a DEWALT battery pack. When ordering replacement battery packs, be sure to include catalog number and voltage: Extended Run-Time battery packs deliver 25% more run-time than standard battery packs. Consult the chart at the end of this manual for compatibility of chargers and battery packs.

**NOTE:** Your tool will accept either standard or Extended Run Time battery packs. However, be sure to select proper voltage. Batteries slowly lose their charge when they are not on the charger, the best place to keep your battery is on the charger at all times.

The battery pack is not fully charged out of the carton. Before using the battery pack and charger, read the safety instructions below. Then follow charging procedures outlined.

## READ ALL INSTRUCTIONS

- Do not incinerate the battery pack even if it is severely damaged or is completely worn out. The battery pack can explode in a fire.
- A small leakage of liquid from the battery pack cells may occur under extreme usage or temperature conditions. This does not indicate a failure. However, if the outer seal is broken and this leakage gets on your skin:
  - a. Wash quickly with soap and water.
  - b. Neutralize with a mild acid such as lemon juice or vinegar.
  - c. If battery liquid gets into your eyes, flush them with clean water for a minimum of 10 minutes and seek immediate medical attention. (**Medical note:** The liquid is 25-35% solution of potassium hydroxide.)
- Charge the battery packs only in DEWALT chargers.
- DO NOT splash or immerse in water or other liquids.
- Do not store or use the tool and battery pack in locations where the temperature may reach or exceed 105°F (40 °C) (such as outside sheds or metal buildings in summer).

**⚠ DANGER:** Electrocution hazard. Never attempt to open the battery pack for any reason. If battery pack case is cracked or damaged, do not insert into charger. Electric shock or electrocution may result. Damaged battery packs should be returned to service center for recycling.

**NOTE:** Battery storage and carrying caps are provided for use whenever the battery is out of the tool or charger. Remove cap before placing battery in charger or tool.

**⚠ WARNING: Fire hazard. Do not store or carry battery so that metal objects can contact exposed battery terminals.** For example, do not place battery in aprons, pockets, tool boxes, product kit boxes, drawers, etc., with loose nails, screws, keys, etc. without battery cap. Transporting batteries can possibly cause fires if the battery terminals inadvertently come in contact with conductive materials such as keys, coins, hand tools and the like. The US Department of Transportation Hazardous Material Regulations (HMR) actually prohibit transporting batteries in commerce or on airplanes (i.e., packed in suitcases and carry-on luggage) UNLESS they are properly protected from short circuits. So when transporting individual batteries, make sure that the battery terminals are protected and well insulated from materials that could contact them and cause a short circuit.

**⚠ CAUTION:** Battery pack must be securely attached to tool. If battery pack is detached, personal injury may result.

## The RBRC™ Seal

The RBRC™ (Rechargeable Battery Recycling Corporation) Seal on the nickel cadmium and nickel metal hydride batteries (or battery packs) indicate that the costs to recycle these batteries (or battery packs) at the end of their useful life have already been paid by DEWALT. In some areas, it is illegal to place spent nickel cadmium and nickel metal hydride batteries in the trash or municipal solid waste stream and the RBRC program provides an environmentally conscious alternative.

RBRC™ in cooperation with DEWALT and other battery users, has established programs in the United States and Canada to facilitate the collection of spent nickel cadmium and nickel metal hydride batteries. Help protect our environment and conserve natural resources by returning the spent nickel cadmium and nickel metal hydride batteries to an authorized DEWALT service center or to your local retailer for recycling. You may also contact your local recycling center for information on where to drop off the spent battery.

RBRC™ is a registered trademark of the Rechargeable Battery Recycling Corporation.

## Important Safety Instructions for Battery Chargers

**SAVE THESE INSTRUCTIONS:** This manual contains important safety instructions for battery chargers.

- Before using charger, read all instructions and cautionary markings on charger, battery pack, and product using battery pack.

**⚠ DANGER:** Electrocution hazard. 120 volts are present at charging terminals. Do not probe with conductive objects.

**⚠ WARNING:** Shock hazard. Do not allow any liquid to get inside charger.

**⚠ CAUTION:** Burn hazard. To reduce the risk of injury, charge only DEWALT rechargeable batteries. Other types of batteries may burst causing personal injury and damage.

**⚠ CAUTION:** Under certain conditions, with the charger plugged in to the power supply, the exposed charging contacts inside the charger can be shorted by foreign material. Foreign materials of a conductive nature such as, but not limited to, steel wool, aluminum foil, or any buildup of metallic particles should be kept away from charger cavities. Always unplug the charger from the power supply when there is no battery pack in the cavity. Unplug charger before attempting to clean.

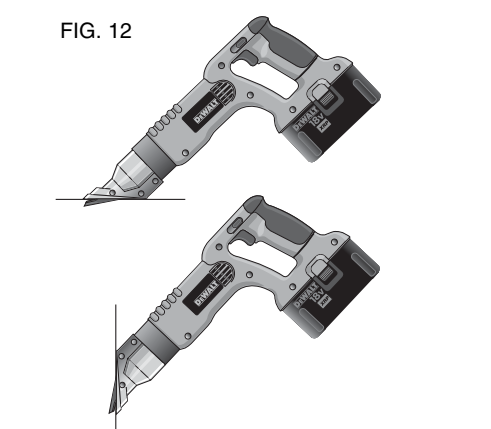
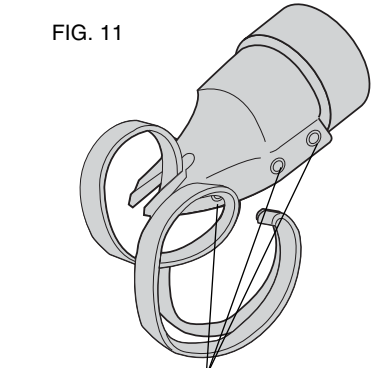
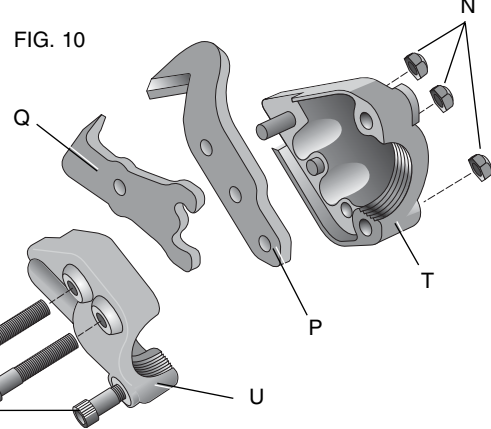
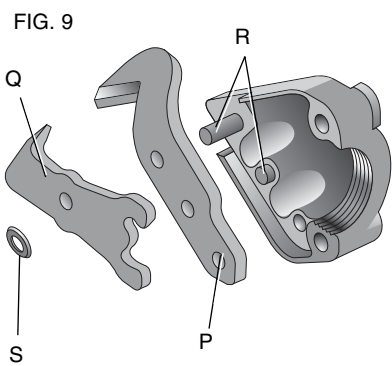
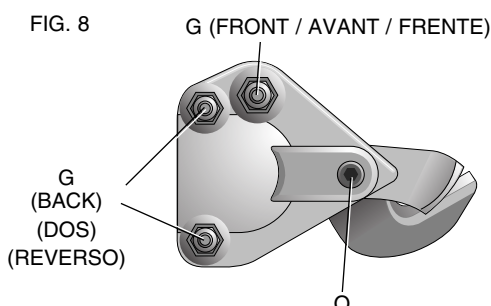
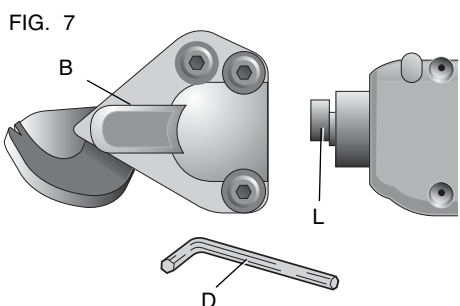
- DO NOT attempt to charge the battery pack with any chargers other than the ones in this manual. The charger and battery pack are specifically designed to work together.
- These chargers are not intended for any uses other than charging DEWALT rechargeable batteries. Any other uses may result in risk of fire, electric shock or electrocution.
- Do not expose charger to rain or snow.
- Pull by plug rather than cord when disconnecting charger. This will reduce risk of damage to electric plug and cord.
- Make sure that cord is located so that it will not be stepped on, tripped over, or otherwise subjected to damage or stress.
- Do not use an extension cord unless it is absolutely necessary. Use of improper extension cord could result in risk of fire, electric shock, or electrocution.
- An extension cord must have adequate wire size (AWG or American Wire Gauge) for safety. The smaller the gauge number of the wire, the greater the capacity of the cable, that is 16 gauge has more capacity than 18 gauge. When using more than one extension to make up the total length, be sure each individual extension contains at least the minimum wire size.

### Recommended Minimum Wire Size for Extension Cords

Total Length of Cord						
25 ft.	50 ft.	75 ft.	100 ft.	125 ft.	150 ft.	175 ft.
7.6 m	15.2 m	22.9 m	30.5 m	38.1 m	45.7 m	53.3 m
Wire Size AWG						
18	18	16	16	14	14	12

- Do not place any object on top of charger or place the charger on a soft surface that might block the ventilation slots and result in excessive internal heat. Place the charger in a position away from any heat source. The charger is ventilated through slots in the top and the bottom of the housing.
- Do not operate charger with damaged cord or plug — have them replaced immediately.
- Do not operate charger if it has received a sharp blow, been dropped, or otherwise damaged in any way. Take it to an authorized service center.
- Do not disassemble charger; take it to an authorized service center when service or repair is required. Incorrect reassembly may result in a risk of electric shock, electrocution or fire.
- Disconnect the charger from the outlet before attempting any cleaning. This will reduce the risk of electric shock. Removing the battery pack will not reduce this risk.
- NEVER attempt to connect 2 chargers together.





ALTERNATELY TIGHTEN TO SECURE  
SERRER EN ALTERNANT  
AFIN DE FIXER  
FORMA ALTERNADA AJUSTE  
PARA ASEGURAR

To better accommodate safe cutting at any angle, the shear head can be repositioned by loosening the three cap screws.

Once the screws are loosened, turn the shear head to the desired angle. Retighten the three cap screws before installing battery pack.

#### DC490, DW940, DW941

To adjust the curl of waste material, the left side knife has elongated holes. Adjustment may be necessary after changing blades or material being cut. Loosen cap screws and tap side knife either forward or backward so that curl of waste does not hit shear housing or work material while cutting.

#### DC495

To ensure proper blade tension, tighten tensioning screw by turning clockwise to seat the blades. Next, loosen tensioning screw by turning counterclockwise slightly to allow blade movement.

**NOTE:** The tensioning screw should be adjusted to correspond to material thickness.

#### Lubrication

Self lubricating bearings are used in the tool and periodic relubrication is not required. However, it is recommended that, once a year, you take or send the tool to a service center for a thorough cleaning and inspection.

#### MAINTENANCE

**⚠ WARNING:** Turn unit off and disconnect battery pack before installing and removing accessories, before adjusting or when making repairs. To prevent inadvertent operation, lock the trigger switch when the tool is not in use and when storing the tool.

#### Cleaning

**⚠ WARNING:** Blow dirt and dust out of all air vents with dry air at least once a week. Wear proper ANSI Z87.1 (CAN/CSA Z94.3) eye protection and proper NIOSH/OSHA/MSHA respiratory protection when performing this. Never use solvents or other harsh chemicals for cleaning the non-metallic parts of the tool. These chemicals may weaken the plastic materials used in these parts. Use a cloth dampened only with water and mild soap. Do not use gasoline, turpentine, lacquer or paint thinner, dry cleaning fluids or similar products. Never let any liquid get inside the tool; never immerse any part of the tool into a liquid.

#### CHARGER CLEANING INSTRUCTIONS

**⚠ WARNING:** Disconnect the charger from the AC outlet before cleaning. Dirt and grease may be removed from the exterior of the charger using a cloth or soft non-metallic brush. Do not use water or any cleaning solutions.

#### Repairs

To assure product SAFETY and RELIABILITY, repairs, maintenance and adjustments (including brush inspection and replacement) should be performed by a DEWALT factory service center, a DEWALT authorized service center or other qualified service personnel. Always use identical replacement parts.

#### Accessories

**⚠ WARNING:** Since accessories, other than those offered by DEWALT, have not been tested with this product, use of such accessories with this tool could be hazardous. To reduce the risk of injury, only DEWALT, recommended accessories should be used with this product.

Recommended accessories for use with your tool are available at extra cost from your local dealer or authorized service center. If you need assistance in locating any accessory, please contact DEWALT Industrial Tool Co., 701 East Joppa Road, Baltimore, MD 21286, call 1-800-4-DEWALT (1-800-433-9258) or visit our website www.dewalt.com.

#### Three Year Limited Warranty

DEWALT will repair, without charge, any defects due to faulty materials or workmanship for three years from the date of purchase. This warranty does not cover part failure due to normal wear or tool abuse. For further detail of warranty coverage and warranty repair information, visit www.dewalt.com or call 1-800-4-DEWALT (1-800-433-9258). This warranty does not apply to accessories or damage caused where repairs have been made or attempted by others. This warranty gives you specific legal rights and you may have other rights which vary in certain states or provinces.

In addition to the warranty, DEWALT tools are covered by our:

#### 1 YEAR FREE SERVICE

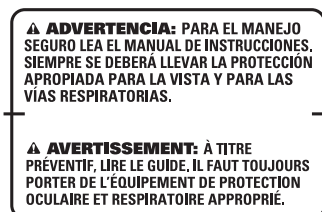
DEWALT will maintain the tool and replace worn parts caused by normal use, for free, any time during the first year after purchase.

#### 90 DAY MONEY BACK GUARANTEE

If you are not completely satisfied with the performance of your DEWALT Power Tool, Laser, or Nailers for any reason, you can return it within 90 days from the date of purchase with a receipt for a full refund – no questions asked.

**LATIN AMERICA:** This warranty does not apply to products sold in Latin America. For products sold in Latin America, see country specific warranty information contained either in the packaging, call the local company or see website for warranty information.

**FREE WARNING LABEL REPLACEMENT:** If your warning labels become illegible or are missing, call 1-800-4-DEWALT for a free replacement.



SI VOUS AVEZ DES QUESTIONS OU VOULEZ NOUS FAIRE PART DE VOS COMMENTAIRES CONCERNANT CET OUTIL OU TOUT AUTRE OUTIL DEWALT, COMPOSEZ SANS FRAIS LE : 1 800 433-9258.

#### Règles générales de sécurité - Outils à piles

**⚠ AVERTISSEMENT :** Lire, comprendre et suivre toutes les directives précisées ci-dessous afin d'éviter les risques de choc électrique, d'incendie ou de blessure grave.

#### CONSERVER CES DIRECTIVES

#### AIRE DE TRAVAIL

- Garder l'aire de travail propre et bien éclairée; les établis encombrés et les endroits sombres sont propices aux accidents.
- Ne pas utiliser les outils électriques dans une atmosphère explosive, comme à proximité de liquides, de gaz ou de poussières inflammables; le moteur peut créer des étincelles et enflammer les vapeurs ou les poussières environnantes.
- Tenir les enfants, les visiteurs ou toute autre personne à l'écart lorsqu'on utilise un outil électrique; les distractions peuvent faire perdre la maîtrise de ce dernier.

#### MESURES DE SÉCURITÉ – ÉLECTRICITÉ

- Ne pas utiliser le cordon de manière abusive; on ne doit pas transporter l'outil en le tenant par le cordon. On doit tenir le cordon à l'écart des sources de chaleur, de l'huile, des bords tranchants ou de pièces mobiles. Remplacer immédiatement les cordons endommagés, car ces derniers peuvent causer un incendie.
- Un outil à piles intégrées ou à bloc-pile externe doit être rechargé seulement au moyen du chargeur approprié, car un chargeur destiné à une pile particulière peut entraîner un risque d'incendie lorsqu'il est utilisé avec une autre.
- N'utiliser l'outil à piles qu'avec le bloc-pile désigné, car l'utilisation d'un autre type de piles peut entraîner un risque d'incendie.

#### SÉCURITÉ PERSONNELLE

- Rester vigilant en tout temps et faire preuve de jugement lorsqu'on utilise un outil électrique. Ne pas utiliser l'outil lorsqu'on est fatigué ou sous l'influence de drogues, d'alcool ou de médicaments, car un moment d'inattention pourrait entraîner des blessures graves.
- Porter des vêtements appropriés. Ne pas porter des vêtements amples ou des bijoux. Couvrir ou attacher les cheveux longs. Garder les cheveux, les vêtements, les bijoux et les gants éloignés des pièces mobiles, car ceux-ci peuvent s'y coincer. Se tenir éloigné des événements puisque ces derniers pourraient camoufler des pièces mobiles.
- Éviter le démarrage accidentel. S'assurer que l'interrupteur est placé en position de verrouillage ou d'arrêt avant d'insérer un bloc-pile. Le fait de transporter les outils en appuyant sur la gâchette ou d'insérer le bloc-pile alors que l'interrupteur est en position de marche peut causer des accidents.
- Retirer les clés de réglage avant de démarrer l'outil. Une clé laissée sur une pièce rotative pourrait entraîner des blessures.
- Ne pas trop étendre les bras. Les pieds doivent rester ancrés fermement au sol afin de maintenir son équilibre en tout temps et de mieux maîtriser l'outil dans des situations imprévues.
- Utiliser le matériel de sécurité approprié; toujours porter des lunettes de protection. Porter un masque anti-poussières, des chaussures antidérapantes, un casque de sécurité ou des protecteurs auditifs lorsque la situation le requiert.

#### UTILISATION ET ENTRETIEN DE L'OUTIL

- Fixer et soutenir la pièce sur une plate-forme stable au moyen d'une bride de serrage ou de tout autre dispositif semblable. La pièce est instable lorsqu'on la retient manuellement ou qu'on l'appuie contre le corps, ce qui pourrait faire perdre la maîtrise de l'outil.
- Ne pas forcer l'outil ni l'utiliser pour des travaux autres que ceux pour lesquels il a été conçu. Pour obtenir de meilleurs résultats et prévenir les risques de blessure, laisser l'outil couper à la vitesse pour laquelle il a été conçu.
- Ne pas utiliser l'outil lorsque l'interrupteur marche-arrêt ne fonctionne pas. Tout outil qui ne peut être commandé au moyen de l'interrupteur est dangereux et doit être réparé.
- Débrancher le bloc-pile de l'outil ou mettre l'interrupteur en position de verrouillage ou d'arrêt avant d'effectuer un réglage, de changer les accessoires ou de ranger l'outil; ces mesures de sécurité préventives réduisent les risques de démarrage accidentel.
- Lorsqu'on n'utilise pas l'outil, le ranger hors de la portée des enfants ou des personnes non qualifiées. Les outils sont dangereux entre les mains de personnes inexpérimentées.
- Lorsqu'on n'utilise pas le bloc-pile, le ranger à l'écart des objets métalliques tels que les trombones, les pièces de monnaie, les clés, les clous, les vis ou autres petits objets susceptibles de conduire l'électricité entre les bornes et d'occasionner ainsi un court-circuit pouvant provoquer des étincelles, des brûlures ou un incendie.
- Bien entretenir l'outil; s'assurer qu'il est toujours bien propre et aiguisé. Les outils bien entretenus et dont les bords sont bien tranchants sont moins susceptibles de rester coincés et sont plus faciles à maîtriser.
- Vérifier les pièces mobiles afin de s'assurer qu'elles sont bien alignées et qu'elles ne restent pas coincées. Vérifier également les pièces afin de s'assurer qu'il n'y a aucun bris ni aucune autre condition susceptible de nuire au bon fonctionnement de l'outil. Faire réparer l'outil si ce dernier est endommagé avant de s'en servir à nouveau, car les accidents sont souvent causés par des outils mal entretenus.
- N'utiliser que les accessoires recommandés par le fabricant pour le modèle concerné. Un accessoire destiné à un outil particulier peut devenir dangereux lorsqu'il est utilisé avec un autre.

#### ENTRETIEN

- L'outil doit être entretenu par le personnel qualifié seulement; toute maintenance effectuée par une personne non qualifiée pourrait entraîner des risques de blessure.
- Lors de l'entretien, n'utiliser que des pièces de rechange identiques et suivre les directives précisées à la section « Entretien » du présent manuel afin de prévenir les risques de choc électrique ou de blessure.

#### Règles de sécurité additionnelles

- Tenir l'outil par sa surface de prise isolée dans une situation où l'outil risque d'entrer en contact avec un câblage caché. Tout contact avec un fil « sous tension » mettra « sous tension » les pièces métalliques de l'outil et électrocutera l'opérateur de l'outil.

**⚠ AVERTISSEMENT :** TOUJOURS porter des lunettes de sécurité. Les lunettes ordinaires ne constituent PAS des lunettes de sécurité. Utiliser également un masque facial ou anti-poussière si l'opération de découpe génère de la poussière. TOUJOURS PORTER UN ÉQUIPEMENT DE PROTECTION HOMOLOGUÉ :

- protection oculaire conforme à la norme ANSI Z87.1 (CAN/CSA Z94.3);
- protection auditive conforme à la norme ANSI S12.6 (S3.19);
- protection des voies respiratoires conforme aux normes NIOSH/OSHA/MSHA.

**⚠ AVERTISSEMENT :** Certains outils, tels que les sableuses électriques, les scies, les meules, les perceuses ou certains autres outils de construction, peuvent soulever de la poussière contenant des produits chimiques susceptibles d'entraîner le cancer, des malformations congénitales ou pouvant être nocifs pour le système reproductif. Parmi ces produits chimiques, on retrouve :

- le plomb dans les peintures à base de plomb;
- la silice cristalline dans les briques et le ciment et autres produits de maçonnerie;
- l'arsenic et le chrome dans le bois de sciage ayant subi un traitement chimique (CCA).

Le risque associé à de telles expositions peut varier selon la fréquence avec laquelle on effectue ces travaux. Pour réduire l'exposition à de tels produits, il faut travailler dans un endroit bien ventilé et utiliser l'équipement de sécurité approprié tel un masque anti-poussières spécialement conçu pour filtrer les particules microscopiques.

- Éviter tout contact prolongé avec la poussière soulevée par cet outil ou autres outils électriques. Porter des vêtements de protection et nettoyer les parties exposées du corps avec de l'eau savonneuse. S'assurer de bien se protéger afin d'éviter d'absorber par la bouche, les yeux ou la peau des produits chimiques nocifs.

**⚠ AVERTISSEMENT :** Cet outil peut produire et répandre de la poussière susceptible de causer des dommages sérieux et permanents au système respiratoire. Toujours utiliser un appareil respiratoire anti-poussières approprié approuvé par le NIOSH ou l'OSHA. Diriger les particules dans le sens opposé du visage et du corps.

**⚠ AVERTISSEMENT :** toujours porter une protection auditive appropriée conformément à la norme ANSI S12.6 (S3.19) lors de l'utilisation du produit. Dans certaines conditions et selon la durée d'utilisation, le bruit émis par ce produit peut contribuer à une perte auditive.

**⚠ MISE EN GARDE :** lorsque l'outil n'est pas utilisé, le placer sur le côté, sur une surface stable, de manière à ne faire trébucher ni tomber personne. Certains outils présentant un gros bloc-piles reposeront sur ce dernier, à la verticale, mais risquent d'être facilement renversés.

- L'étiquette apposée sur votre outil peut comprendre les symboles suivants. Les symboles et leurs définitions sont indiqués ci-après :

V..... volts	A..... ampères
Hz..... hertz	W..... watts
min ..... minutes	~ ..... courant alternatif
..... courant continu	n <sub>o</sub> ..... vitesse à vide
Ⓢ ..... Construction de classe I (mis à la terre)	⊕ ..... borne de terre
Ⓢ ..... Construction de classe II (à double isolation)	⚠ ..... symbole d'alerte à la sécurité
BPM..... coups par minute	.../min..... rotations ou alternance par minute

#### Consignes de sécurité importantes concernant les bloc-piles

L'outil est alimenté au moyen d'un bloc-pile de DEWALT. Au moment de commander un bloc-pile de rechange, s'assurer d'inclure le numéro de catalogue et la tension appropriée. Les bloc-piles à durée prolongée durent plus longtemps que les bloc-piles standard. Consulter le diagramme à la fin du présent manuel afin de vérifier la compatibilité du chargeur avec le bloc-pile.

**REMARQUE :** Bien que l'outil puisse fonctionner au moyen de l'un ou l'autre de ces bloc-piles, on doit s'assurer d'en choisir un de tension appropriée. Un bloc-pile perd graduellement sa charge s'il n'est pas laissé dans le chargeur; il est donc recommandé de le laisser dans le chargeur en tout temps.

Le bloc-pile n'est pas complètement chargé au moment de sa livraison. Avant d'utiliser le bloc et lire le chargeur, lire attentivement toutes les consignes de sécurité énumérées ci-dessous et suivre les méthodes de chargement précisées ci-dessous.

#### LIRE TOUTES LES DIRECTIVES

- NE PAS incinérer le bloc-pile même s'il est gravement endommagé ou complètement usé, car il pourrait exploser en présence de flammes.
- Les cellules peuvent subir une fuite légère par suite d'un usage extrême ou d'une exposition à certaines températures; cela n'indique pas un problème. Cependant, si le scellant externe est percé et le liquide entre en contact avec la peau, on doit:
  - a. se laver rapidement la partie du corps touchée avec de l'eau savonneuse;
  - b. neutraliser l'effet au moyen d'un acide doux tel que du jus de citron ou du vinaigre;

#### Définitions : lignes directrices en matière de sécurité

Les définitions ci-dessous décrivent le niveau de danger pour chaque mot-indicateur employé. Veuillez lire le mode d'emploi et porter une attention particulière à ces symboles.

**⚠ DANGER :** indique une situation dangereuse imminente qui, si elle n'est pas évitée, causera la mort ou des blessures graves.

**⚠ AVERTISSEMENT :** indique une situation potentiellement dangereuse qui, si elle n'est pas évitée, pourrait se solder par un décès ou des blessures graves.

**⚠ MISE EN GARDE :** indique une situation potentiellement dangereuse qui, si elle n'est pas évitée pourrait se solder par des blessures mineures ou modérées.

**MISE EN GARDE :** utilisé sans le symbole d'alerte à la sécurité, indique une situation potentiellement dangereuse qui, si elle n'est pas évitée pourrait se solder par des dommages à la propriété.



d'espacement du couteau central demeure en position. Appliquer de la graisse à roulement de bonne qualité sur la manille d'assemblage ou la fourche du couteau central où s'appuie l'ensemble du roulement excentrique. Insérer la vis d'assemblage arrière dans le boîtier et ne pas serrer complètement pour le moment.

**Pour installer l'ensemble de la tête de cisaille sur le bloc-moteur**, s'assurer que toutes les vis d'assemblage sont desserrées d'environ trois à quatre tours complets. Insérer la tête de cisaille dans l'appareil et serrer fermement les vis d'assemblage à tour de rôle, pour verrouiller l'ensemble de la tête en position. Il sera peut-être nécessaire de tapoter doucement la tête de cisaille en position si elle ne glisse pas d'elle-même dans l'extrémité de l'appareil électrique.

**MODÈLE DC495 (FIG. 1, 7 À 10)**

**Pour retirer la tête de cisaille du moteur**, desserrer les deux vis d'assemblage arrière (G) avec la clé hexagonale (D) fournie. Tirer fermement la tête de cisaille (B) vers l'avant pour la retirer (fig. 7). Une légère rotation de celle-ci peut aider à la déboîter.

**Pour retirer les couteaux de découpeuse de la tête de cisaille**, desserrer complètement les deux vis d'assemblage arrière et retirer la tête de cisaille du moteur. Desserrer l'écrou de tension (O) d'un demi-tour. Desserrer complètement les trois vis d'assemblage et retirer l'ensemble de la tête de cisaille. Renverser l'ensemble et retirer la moitié supérieure, puis retirer les couteaux.

**Pour réinstaller les couteaux**, mettre la mâchoire inférieure (P) sur les deux goupilles (R). Appliquer une mince couche de graisse du paquet (fourni) autour de la goupille et sur la portion supérieure du couteau. Placer maintenant la mâchoire supérieure (Q) sur la goupille. Appliquer le reste de la graisse fournie sur l'arbre à excentrique (L), à la sortie du moteur, et dans la zone derrière le couteau supérieur mobile de la tête de cisaille.

Enfiler la rondelle de rechange (S), côté conique vers le haut, sur la goupille au sommet du couteau mobile. Replacer la moitié supérieure de la tête (T) sur la moitié inférieure (U) correspondante. S'assurer d'aligner la goupille avec le trou. Réinsérer les trois vis d'assemblage (G) et les écrous (V), mais **NE PAS** serrer complètement.

Glisser de nouveau la tête de cisaille sur le moteur. S'assurer que l'arbre à excentrique s'emboîte avec le couteau mobile. Une fois la tête de cisaille insérée et alignée sur le moteur, serrer les trois vis d'assemblage et suivre la procédure de réglage ci-dessous.

**Pour assurer une tension de couteau correcte**, serrer l'écrou de tension (O) en tournant en sens horaire pour bien comprimer les couteaux. Puis, desserrer l'écrou de tension en tournant légèrement en sens antihoraire pour permettre le mouvement du couteau.

**REMARQUE** : régler l'écrou de tension pour correspondre à l'épaisseur de la pièce.

### Réglage (fig. 11, 12)

**TÊTE PIVOTANTE**

**▲AVERTISSEMENT : éteindre l'outil et débrancher le bloc-piles avant d'installer et d'enlever des accessoires, avant d'effectuer des réglages ou des réparations.** *Pour éviter tout fonctionnement accidentel, verrouiller la détente lorsque l'outil n'est pas utilisé et lorsqu'il est rangé.*

Pour couper de façon sécuritaire à tout angle, il est possible de repositionner la tête de cisaille en desserrant les trois vis d'assemblage.

Une fois les vis desserrées, tourner la tête de cisaille à l'angle recherché. Resserrer les trois vis d'assemblage avant de remettre le bloc-piles.

**MODÈLES DC490, DW940 ET DW941**

Pour régler l'enroulement des résidus de coupe, la lame latérale gauche comporte des trous allongés. Il est possible qu'un réglage s'avère nécessaire après un changement de couteaux ou de matière à couper. Desserrer les vis d'assemblage et tapoter sur la lame latérale vers l'avant ou l'arrière de sorte que les résidus enroulés ne touchent pas le boîtier de la cisaille ou la pièce lors de la coupe.

**MODÈLE DC495**

**Pour assurer une tension de couteau correcte**, serrer l'écrou de tension en tournant en sens horaire pour bien comprimer les couteaux. Puis, desserrer l'écrou de tension en tournant légèrement en sens antihoraire pour permettre le mouvement du couteau.

**REMARQUE** : régler l'écrou de tension pour correspondre à l'épaisseur de la pièce.

### Graissage

L'outil est doté de roulements autolubrifiants ainsi une lubrification périodique n'est pas nécessaire. Toutefois, il est conseillé de ramener ou d'envoyer l'outil, une fois par année, à un Centre de réparation pour un nettoyage complet et une inspection approfondie.

### ENTRETIEN

**▲AVERTISSEMENT : éteindre l'outil et débrancher le bloc-piles avant d'installer et d'enlever des accessoires, avant d'effectuer des réglages ou des réparations.** *Pour éviter tout fonctionnement accidentel, verrouiller la détente lorsque l'outil n'est pas utilisé et lorsqu'il est rangé*

### Nettoyage

**▲AVERTISSEMENT : enlever les saletés et la poussière hors des événements au moyen d'air comprimé sec, au moins une fois par semaine.** Porter une protection oculaire conforme à la norme ANSI Z87.1 (CAN/CSA Z94.3) et une protection des voies respiratoires conforme aux normes NIOSH/OSHA/MSHA au cours de cette tâche de nettoyage. Ne jamais utiliser de solvants ni d'autres produits chimiques durs pour nettoyer les pièces non métalliques de l'outil. Ces produits chimiques peuvent affaiblir les matériaux de plastique utilisés dans ces pièces. Utiliser un chiffon humecté uniquement d'eau et de savon doux. Ne pas utiliser de l'essence, de l'essence de térébenthine, du diluant à peinture-laque, des liquides pour nettoyage à sec ou tout autre produit semblable. Ne jamais laisser de liquide pénétrer dans l'outil et n'immerger aucune partie de l'outil dans un liquide.

**INSTRUCTION DE NETTOYAGE DU CHARGEUR**

**▲AVERTISSEMENT : Débrancher le chargeur avant tout nettoyage.** Toute saleté ou graisse sur la partie externe du chargeur peut être nettoyée à l'aide d'un chiffon ou d'une brosse non métallique. Ne pas utiliser d'eau ou tout autre liquide nettoyant.

### Réparations

Pour assurer la SÉCURITÉ et la FIABILITÉ du produit, les réparations, l'entretien et les réglages (y compris l'inspection et le remplacement de la brosse) doivent être réalisés par un centre de réparation en usine DEWALT, un centre de réparation autorisé DEWALT ou par un personnel de réparation professionnel. Toujours utiliser des pièces de rechange identiques.

### Accessoires

**▲AVERTISSEMENT : puisque les accessoires autres que ceux offerts par DEWALT n'ont pas été testés avec ce produit, leur utilisation pourrait s'avérer dangereuse.** *Pour réduire le risque de blessures, utiliser exclusivement les accessoires DEWALT recommandés avec ce produit.*

Les accessoires recommandés pour utilisation avec l'outil sont disponibles, à un coût supplémentaire, auprès du distributeur ou du centre de réparation autorisé de votre région. Pour toute demande d'assistance pour trouver un accessoire, veuillez contacter DEWALT Industrial Tool Co., 701 East Joppa Road, Baltimore, MD 21286, États-Unis, composer le 1 (800) 4-DEWALT (1-800-433-9258) ou visiter notre site Web à www.dewalt.com.

### Garantie limitée trois ans

DEWALT réparera gratuitement tous les problèmes dus à des défauts de matériel ou de fabrication pendant trois ans à compter de la date d'achat. Cette garantie ne couvre pas des défaillances de pièce dues à une usure normale ou à une mauvaise utilisation de l'outil. Pour plus de détails relatifs à la couverture de la garantie et aux réparations sous garantie, visiter le site Web www.dewalt.com ou composer le 1-800-4-DEWALT (1-800-433-9258). Cette garantie ne s'applique pas aux accessoires ni aux dommages causés par des réparations réalisées ou tentées par des tiers. Cette garantie vous accorde des droits légaux spécifiques et il est possible que vous ayez d'autres droits qui varient d'un État ou d'une province à l'autre.

En plus de la garantie, les outils DEWALT sont couverts par notre :

#### SERVICE D'ENTRETIEN GRATUIT DE 1 AN

DEWALT entretiendra l'outil et remplacera les pièces usées par une utilisation normale et ce, gratuitement, à tout instant pendant la première année à compter de la date d'achat.

#### GARANTIE DE REMBOURSEMENT DE 90 JOURS

Si vous n'êtes pas entièrement satisfait des performances de votre outil électrique, laser ou de votre marteau-cloueur DEWALT pour quelque raison que ce soit, vous pouvez le retourner accompagné d'un reçu dans les 90 jours suivant la date d'achat et nous vous rembourserons entièrement - sans poser de questions.

**AMÉRIQUE LATINE :** cette garantie ne s'applique pas aux produits vendus en Amérique latine. Pour ceux-ci, veuillez consulter les informations relatives à la garantie spécifique présente dans l'emballage, appeler l'entreprise locale ou consulter le site Web pour les informations relatives à cette garantie.

**REMPLACEMENT GRATUIT DES ÉTIQUETTES D'AVERTISSEMENT :** si les étiquettes d'avertissement deviennent illisibles ou sont manquantes, composer le 1-800-4-DEWALT pour en obtenir le remplacement gratuit.

	<small>CORDLESS 18 ga. SWIVEL-HEAD SHEAR</small>	<b>▲ ADVERTENCIA:</b> PARA EL MANEJO SEGURO LEA EL MANUAL DE INSTRUCCIONES. SIEMPRE SE DEBERÁ LLEVAR LA PROTECCIÓN APROPIADA PARA LA VISTA Y PARA LAS VIAS RESPIRATORIAS.
<b>▲WARNING</b> <b>AVERTISSEMENT</b>	<small>FOR SAFE OPERATION, READ INSTRUCTION MANUAL. USE ONLY WITH DEWALT BATTERIES AND CHARGER, ALWAYS USE PROPER EYE AND RESPIRATORY PROTECTION. A TITRE PRÉVENTIF, LIRE LE GUIDE.</small>	<b>▲ AVERTISSEMENT:</b> À TITRE PRÉVENTIF, LIRE LE GUIDE. IL FAUT TOUJOURS PORTER DE L'ÉQUIPEMENT DE PROTECTION OCULAIRE ET RESPIRATOIRE APPROPRIÉ.
<b>▲ADVERTENCIA</b>	<b>▲AVERTISSEMENT</b>	
<small>PARA REDUCIR EL RIESGO DE LESIONES, UTILICE LAS BATERÍAS DEWALT SOLAMENTE.</small>	<small>AFIN DE MINIMISER LES RISQUES DE BLESSURES, UTILISER SEULEMENT AVEC DES PILES DEWALT.</small>	

### Reglas generales de seguridad – Para todas las herramientas que funcionan con pilas

**▲ ¡ADVERTENCIA! Lea todas las instrucciones hasta comprenderlas.** *No ajustarse a las instrucciones siguientes puede ser causa de choque eléctrico, incendio o lesiones corporales graves.*

## CONSERVE ESTAS INSTRUCCIONES

**ÁREA DE TRABAJO**

- Mantenga el área de trabajo limpia y bien iluminada.** Las bancadas desordenadas y las zonas oscuras propician los accidentes.

- No opere herramientas eléctricas en atmósferas explosivas, como en presencia de líquidos, gases o polvos inflamables.** Las herramientas eléctricas producen chispas que pueden originar la ignición del polvo o los vapores.
- Mientras opere una herramienta eléctrica, mantenga lejos a los observadores, niños y visitantes.** Las distracciones pueden ocasionar que pierda el control.

**SEGURIDAD ELÉCTRICA**

- No maltrate el cable. Nunca lleve la herramienta por el cable. Mantenga el cable alejado de las fuentes de calor, el aceite, las orillas afiladas o las piezas en movimiento. Cambie inmediatamente los cables dañados.** Los cables dañados pueden provocar un incendio.
- Una herramienta que funciona con baterías integradas o con una unidad de alimentación independiente sólo debe recargarse con el cargador especificado para la batería.** Un cargador puede ser adecuado para un tipo de batería y, sin embargo, crear riesgo de incendio cuando se usa con otro.
- Las herramientas que operan con baterías se deben utilizar sólo con las unidades de alimentación específicamente diseñadas para la herramienta.** La utilización de otras baterías comporta riesgo de incendio.

**SEGURIDAD PERSONAL**

- Al utilizar una herramienta eléctrica, esté atento, concéntrese en lo que hace y aplique el sentido común. No utilice la herramienta si se encuentra fatigado o bajo la influencia de drogas, alcohol o fármacos.** Mientras se utilizan herramientas eléctricas, basta un instante de distracción para sufrir lesiones graves.
- Lleve ropa adecuada. No utilice ropa suelta ni joyas. Recójase el cabello largo. Mantenga el cabello, la ropa y los guantes apartados de las piezas en movimiento.** Las partes móviles pueden atrapar las prendas de vestir sueltas, las joyas y el cabello largo. Los orificios de ventilación suelen cubrir piezas en movimiento, por lo que también se deben evitar.
- Evite puestas en marcha accidentales. Antes de insertar la batería asegúrese de que el interruptor esté en posición de bloqueo o de apagado.** Transportar herramientas con el dedo sobre el interruptor o insertar la batería en la herramienta con el interruptor en posición de encendido favorece los accidentes.
- Antes de poner en marcha la herramienta, retire las llaves de ajuste.** Una llave que se deje en una pieza giratoria de la herramienta puede provocar lesiones.
- No se sobreextienda. Manténgase siempre bien apoyado y equilibrado.** Un buen apoyo y equilibrio permiten controlar mejor la herramienta si se produce algún imprevisto.
- Utilice el equipo de seguridad. Lleve siempre lentes protectores.** Cuando sea adecuado, también se debe usar mascarilla antipolvo, zapatos de suela antideslizante, casco o protectores auditivos.

**USO Y CUIDADO DE LA HERRAMIENTA**

- Utilice abrazaderas u otro elemento adecuado para sujetar y apoyar la pieza de trabajo en una plataforma estable.** Sujetar la pieza con la mano o contra el cuerpo es inestable y facilita la pérdida de control.
- No fuerce la herramienta. Emplee la herramienta correcta para cada aplicación.** La herramienta correcta hace el trabajo mejor y más seguro dentro del rango para el que ha sido diseñada
- No utilice la herramienta si el interruptor no la enciende y apaga.** Cualquier herramienta que no pueda controlarse con el interruptor es peligrosa y se debe reparar.
- Desconecte la unidad de alimentación de la herramienta o ponga el conmutador en posición de bloqueo o de apagado antes de realizar cualquier ajuste, cambiar accesorios o guardar la herramienta.** Estas medidas de seguridad preventiva reducen el riesgo de poner en marcha la herramienta accidentalmente.
- Cuando no las utilice, guarde las herramientas fuera del alcance de los niños o de cualquier persona no capacitada.** Las herramientas son peligrosas en manos de usuarios no capacitados.
- Cuando la unidad de alimentación no esté en uso, manténgala alejada de otros objetos metálicos tales como: sujetapapeles, monedas, llaves, clavos, tornillos u otros objetos metálicos pequeños que podrían generar una conexión entre sus terminales.** Provocar un cortocircuito entre los terminales de la batería puede causar chispas, quemaduras o incendios.
- Cuide las herramientas. Conserve las herramientas de corte afiladas y limpias.** Unas herramientas adecuadamente cuidadas y con los bordes de corte afilados se atascan menos y son más fáciles de controlar.
- Compruebe si las piezas móviles se desalinean o atascan, si hay alguna pieza rota o cualquier otra circunstancia que pueda afectar la operación de la herramienta. Si la herramienta está dañada, hágala reparar antes de usarla.** Muchos accidentes los provocan unas herramientas mal cuidadas.
- Utilice únicamente los accesorios recomendados por el fabricante para su modelo.** Un mismo accesorio puede ser adecuado para una herramienta, pero peligroso si se usa en otra.

**SERVICIO**

- El servicio a la herramienta sólo debe realizarlo personal cualificado.** El servicio o mantenimiento realizados por personal no calificado puede dar como resultado un riesgo de lesiones.
- Al proceder al mantenimiento de una herramienta, utilice únicamente refacciones idénticas. Siga las instrucciones de la sección “Mantenimiento” de este manual.** La utilización de piezas no autorizadas, o no respetar las instrucciones de mantenimiento, puede suponer un peligro de choque eléctrico o de lesiones.

### Normas de seguridad adicionales

- Sostenga la herramienta por las superficies de agarre aisladas cuando realice una operación en la que la herramienta pueda tocar cables eléctricos ocultos.** El contacto con un cable con “corriente eléctrica” hará que las partes metálicas expuestas de la herramienta también tengan “corriente eléctrica” y el operador sufra una descarga eléctrica.

**▲ADVERTENCIA: Use SIEMPRE lentes de seguridad.** Los anteojos de uso diario **NO** son lentes de seguridad. Utilice también máscaras faciales o para polvo si los cortes producen polvillo. UTILICE SIEMPRE EQUIPOS DE SEGURIDAD CERTIFICADOS:

- Protección para los ojos según la norma ANSI Z87.1 (CAN/CSA Z94.3)
- Protección auditiva según la norma ANSI S12.6 (S3.19)
- Protección respiratoria según las normas NIOSH/OSHA/MSHA.

**▲ADVERTENCIA:** Parte del polvo creado al lijar, aserruchar, moler o perforar con máquina, así como al realizar otras actividades de la construcción, contiene substancias químicas que se sabe producen cáncer, defectos congénitos u otras afecciones reproductivas. Algunos ejemplos de esas substancias químicas son:

- plomo de pinturas a base de plomo,
- silíce cristalizado de ladrillos y cemento y otros productos de albañilería, y
- arsénico y cromo de la madera químicamente tratada (CCA).

El riesgo al contacto con estas substancias varía, según la frecuencia en que se haga este tipo de trabajo. Para reducir la exposición a esas substancias químicas: trabaje en un área bien ventilada, y trabaje con equipos de seguridad aprobados, tales como máscaras contra el polvo especialmente diseñadas para filtrar las partículas microscópicas.

- Evite el contacto prolongado con polvos originados por lijar, aserrar, esmerilar, taladrar y otras actividades constructivas. Vista ropas protectoras y lave las áreas expuestas con agua y jabón.** Permitir que el polvo se introduzca en su boca, ojos, o dejarlo sobre la piel promueve la absorción de químicos dañinos.

**▲ADVERTENCIA:** El uso de esta herramienta puede generar o dispersar polvo lo cual puede causar lesiones respiratorias serias y permanentes y otros tipos de lesión. Siempre use protección respiratoria aprobada por NIOSH/OSHA para la exposición al polvo. Dirija las partículas en dirección opuesta a su cara y cuerpo.

**▲ADVERTENCIA:** Durante el uso, use siempre protección auditiva adecuada que cumpla con la norma ANSI S12.6 (S3.19). Bajo ciertas circunstancias y según el período de uso, el ruido producido por este producto puede contribuir a la pérdida de audición.

**▲PRECAUCIÓN:** Cuando no se utilice, coloque la herramienta de costado en una superficie estable en la que no provocará tropezones o caídas. Algunas herramientas con paquetes de baterías grandes permanecerán en forma vertical sobre la batería, pero pueden ser derribadas fácilmente.

- La etiqueta de su herramienta puede incluir los siguientes símbolos. Los símbolos y sus definiciones son los siguientes:

V.....	voltsios	A.....	amperios
Hz.....	hertz	W.....	vatios
min .....	minutos	~ .....	corriente alterna
==	corriente directa	no .....	velocidad sin carga
Ⓛ.....	Construcción Clase I	Ⓧ.....	terminal a tierra
Ⓛ.....	con conexión a tierra	Ⓢ.....	símbolo de alerta de seguridad
Ⓜ.....	Construcción Clase II	.../min.....	revoluciones o reciprocidad por minuto
BPM.....	golpes por minuto		

### Instrucciones de seguridad importantes para las unidades de alimentación

Su herramienta usa una unidad de alimentación de DEWALT. Cuando solicite unidades de alimentación de repuesto, no olvide indicar el número de catálogo y el voltaje. Las unidades de alimentación con tiempo de operación extendido duran más que las unidades de alimentación tradicionales. Consulte el cuadro al final de este manual para ver la compatibilidad entre cargadores y unidades de alimentación.

**NOTA:** Su herramienta puede utilizar unidades de alimentación tradicionales o de tiempo de operación extendido. Sin embargo, asegúrese de seleccionar el voltaje apropiado. Las baterías pierden su carga lentamente cuando no se encuentran en el cargador. El mejor lugar para almacenar la batería es en el cargador, en todo momento.

La unidad de alimentación no viene completamente cargada de fábrica. Antes de usar la unidad de alimentación y el cargador, lea las siguientes instrucciones de seguridad. A continuación, siga los procedimientos de carga indicados.

### LEA TODAS LAS INSTRUCCIONES

- No incinere la unidad de alimentación, aunque esté completamente dañada o gastada.** Las unidades de alimentación pueden explotar si se queman.
- Las celdas de la unidad de alimentación pueden tener fugas pequeñas de líquido bajo condiciones extremas de uso o temperatura.** Esto no indica una falla. Sin embargo, si el sello externo ha sido roto y su piel entra en contacto con el líquido:
  - Lave rápidamente con jabón y agua.
  - Neutralice con un ácido suave como jugo de limón o vinagre.



para sostener las hojas en su lugar. NO LOS AJUSTE. Inserte el casquillo del espaciador en el orificio en la hoja central y lubrique. Instale la hoja central en la cubierta de la cizalla golpeando suavemente la hoja hacia adelante utilizando un pasador cónico para alinear el orificio de la hoja central con los orificios delanteros en la cubierta. Inserte y ajuste el tornillo de cabeza delantero asegurándose de que el casquillo del espaciador en la hoja central permanezca en su lugar. Aplique grasa de buena calidad para rodamientos a la horquilla o brida en la hoja central donde gira en el ensamblaje de los rodamientos excéntricos. Introduzca el tornillo de cabeza trasero en la cubierta de la cizalla pero no la ajuste totalmente.

**Para instalar el ensamblaje del cabezal de la cizalla en el motor de accionamiento,** asegúrese de que todos los tornillos de cabeza estén flojos aproximadamente de 3 a 4 vueltas enteras. Coloque el cabezal de cizalla en la unidad y en forma alternada ajuste los tornillos de cabeza perfectamente para fijar el ensamblaje del cabezal en su lugar. Quizá sea necesario golpear suavemente el cabezal de la cizalla en el lugar si no se desliza con facilidad en la punta de la unidad motriz.

#### DC495 (FIG. 1, 7–10)

**Para extraer el cabezal de la cizalla del motor,** afloje los tornillos de cabeza traseros (G) con la llave hexagonal (D) provista. Retire el cabezal de la cizalla (B) del cuerpo tirando del cabezal con firmeza hacia adelante (Fig. 7). Quizá deba hacer un pequeño movimiento giratorio si el cabezal no sale con facilidad.

**Para quitar las hojas de la cortadora del cabezal de la cizalla,** afloje completamente los dos tornillos de cabeza traseros y retire el cabezal de la cizalla de la unidad motriz. Afloje 1/2 vuelta el tornillo de ajuste de tensión (O). Afloje por completo los tres tornillos de cabeza (G) y retire el ensamblaje del cabezal. Dé vuelta el ensamblaje y retire la mitad superior del cabezal y, luego, extraiga las hojas.

**Para reemplazar las hojas,** coloque la mordaza inferior (P) en dos clavijas (R). Coloque una fina capa de grasa del paquete (incluida) alrededor de la clavija y en la parte superior de la hoja. Coloque la mordaza superior (Q) en la clavija. Aplique el resto de la grasa provista en la excéntrica (L) en el eje de salida de la unidad motriz y en el área detrás de la hoja superior móvil del cabezal de la cizalla.

Instale la arandela de reemplazo (S), el cono hacia arriba, sobre la clavija en la parte superior de la hoja móvil. Coloque la mitad superior del cabezal hacia atrás (T) en la mitad inferior (U), asegurándose de alinear la clavija al orificio. Reinstale los tres tornillos de cabeza (G) y las tuercas (V), pero **NO** las ajuste por completo.

Vuelva a colocar el cabezal de la cizalla deslizando en la unidad motriz, asegurándose de que la excéntrica trabaje la hoja móvil. Una vez que el cabezal está en la unidad motriz y esté alineado, ajuste los tres tornillos y siga el procedimiento de ajuste a continuación.

**Para asegurar una correcta tensión de la hoja,** regule el tornillo de ajuste de tensión (O) girándolo en sentido de las agujas del reloj para asentar las hojas. Luego, afloje el tornillo de ajuste de tensión girándolo en sentido contrario a las agujas del reloj suavemente para permitir que la hoja se mueva.

**NOTA:** El tornillo de ajuste de tensión se debe regular para que coincida con el espesor del material.

#### Ajuste (Fig. 11, 12)

##### CABEZAL GIRATORIO

**▲ ADVERTENCIA:** Apague la unidad y desconecte la batería antes de instalar y retirar accesorios, antes de hacer ajustes o cuando haga reparaciones. Para evitar la operación involuntaria, bloquee el interruptor disparador cuando la herramienta no esté en uso y cuando guarde la herramienta.

Para adecuar mejor el corte de seguridad en cualquier ángulo, el cabezal de la cizalla se puede volver a ubicar aflojando los tres tornillos de cabeza.

Una vez que afloje los tornillos, gire el cabezal de la cizalla al ángulo deseado. Reajuste los tres tornillos de cabeza antes de instalar el paquete de baterías.

#### DC490, DW940, DW941

Para ajustar la viruta del material de desecho, la cuchilla izquierda tiene orificios alargados. Quizá sea necesario realizar un ajuste después del cambio de las hojas o del corte de materiales. Afloje los tornillos de cabeza y golpee la cuchilla lateral para delante o para atrás para que la viruta de desechos no golpee la cubierta de la cizalla o el material de corte mientras corta.

#### DC495

**Para asegurar una correcta tensión de la hoja,** apriete el tornillo de ajuste de tensión girándolo en sentido de las agujas del reloj para asentar las hojas. Luego, afloje el tornillo de ajuste de tensión girándolo en sentido contrario a las agujas del reloj suavemente para permitir que la hoja se mueva.

**NOTA:** El tornillo de ajuste de tensión se debe regular para que coincida con el espesor del material.

#### Lubricación

Los rodamientos con lubricación automática se utilizan en la herramienta y no se requiere una relubricación periódica. No obstante, se recomienda que, una vez al año, lleve o envíe la herramienta a un centro de mantenimiento para que le realicen una limpieza e inspección completas.

#### MANTENIMIENTO

**▲ ADVERTENCIA:** Apague la unidad y desconecte la batería antes de instalar y retirar accesorios, antes de hacer ajustes o cuando haga reparaciones. Para evitar la operación involuntaria, bloquee el interruptor disparador cuando la herramienta no esté en uso y cuando guarde la herramienta.

#### Limpieza

**▲ ADVERTENCIA:** Sople la suciedad y el polvo de todos los conductos de ventilación con aire seco al menos una vez por semana. Use la adecuada protección para los ojos ANSI Z87.1 (CAN/CSA Z94.3) y la adecuada protección respiratoria NIOSH/OSHA/MSHA cuando realice esta operación. Nunca utilice solventes u otros químicos abrasivos para limpiar las piezas no metálicas de la herramienta. Estos productos químicos pueden debilitar los materiales plásticos utilizados en estas piezas. Utilice un paño humedecido sólo con agua y jabón neutro. No utilice gasolina, aguarrás, barniz o solvente, líquidos para limpieza en seco o productos similares. Nunca permita que penetre líquido dentro de la herramienta ni sumerja ninguna de las piezas en un líquido.

#### INSTRUCCIONES DE LIMPIEZA DEL CARGADOR

**▲ ADVERTENCIA:** Desconecte el cargador de la toma de corriente alterna antes de limpiarlo. Puede limpiar la suciedad y grasa del exterior del cargador con un paño o cepillo suave no metálico. No utilice agua ni líquidos de limpieza.

#### Reparaciones

Para garantizar la SEGURIDAD y CONFIABILIDAD, las reparaciones, el mantenimiento y los ajustes (incluida la inspección y reemplazo de cepillos) deben ser realizados por un centro de mantenimiento de fábrica de DEWALT, un centro de mantenimiento DEWALT autorizado u otro personal de mantenimiento calificado. Utilice siempre piezas de repuesto idénticas.

#### Accesorios

**▲ ADVERTENCIA:** Debido a que no se han probado con este producto otros accesorios que no sean los que ofrece DEWALT, el uso de dichos accesorios podría ser peligroso. Para reducir el riesgo de lesiones, con este producto deben usarse sólo los accesorios DEWALT recomendados.

Los accesorios que se recomiendan para utilizar con la herramienta están disponibles a un costo adicional en su distribuidor local o en un centro de mantenimiento autorizado. Si necesita ayuda para localizar algún accesorio, póngase en contacto con DEWALT Industrial Tool Co., 701 East Joppa Road, Baltimore, MD 21286, llame al 1-800-4-DEWALT (1-800-433-9258) o visite nuestro sitio web [www.dewalt.com](http://www.dewalt.com).

#### Póliza de Garantía

IDENTIFICACIÓN DEL PRODUCTO:

Sello o firma del Distribuidor.

Nombre del producto: \_\_\_\_\_ Mod./Cat.: \_\_\_\_\_

Marca: \_\_\_\_\_ Núm. de serie: \_\_\_\_\_

(Datos para ser llenados por el distribuidor)

Fecha de compra y/o entrega del producto: \_\_\_\_\_

Nombre y domicilio del distribuidor donde se adquirió el producto: \_\_\_\_\_

Este producto está garantizado por un año a partir de la fecha de entrega, contra cualquier defecto en su funcionamiento, así como en materiales y mano de obra empleados para su fabricación. Nuestra garantía incluye la reparación o reposición del producto y/o componentes sin cargo alguno para el cliente, incluyendo mano de obra, así como los gastos de transportación razonablemente erogados derivados del cumplimiento de este certificado.

Para hacer efectiva esta garantía deberá presentar su herramienta y esta póliza sellada por el establecimiento comercial donde se adquirió el producto, de no contar con ésta, bastará la factura de compra.

#### EXCEPCIONES.

Esta garantía no será válida en los siguientes casos:

- Cuando el producto se hubiese utilizado en condiciones distintas a las normales;
- Cuando el producto no hubiese sido operado de acuerdo con el instructivo de uso que se acompaña;
- Cuando el producto hubiese sido alterado o reparado por personas distintas a las enlistadas al final de este certificado.

Anexo encontrará una relación de sucursales de servicio de fábrica, centros de servicio autorizados y franquiciados en la República Mexicana, donde podrá hacer efectiva su garantía y adquirir partes, refacciones y accesorios originales.

#### Garantía limitada de tres años

DEWALT reparará sin cargo cualquier defecto ocasionado por materiales defectuosos o mano de obra, durante tres años a partir de la fecha de compra. Esta garantía no cubre fallas en las piezas que resulten del desgaste normal de la herramienta o de su utilización inadecuada. Para obtener información detallada sobre la cobertura de la garantía y sobre reparaciones, visite nuestra página Web [www.dewalt.com](http://www.dewalt.com) o llame al 1-800-4-DEWALT (1-800-433-9258). Esta garantía no se extiende a los accesorios o a los daños causados por terceros al intentar realizar reparaciones. Esta garantía le concede derechos legales específicos; usted goza también de otros derechos que varían según el estado o provincia.

Además de la garantía, las herramientas DEWALT están cubiertas por nuestro:

#### SERVICIO GRATUITO DE 1 AÑO

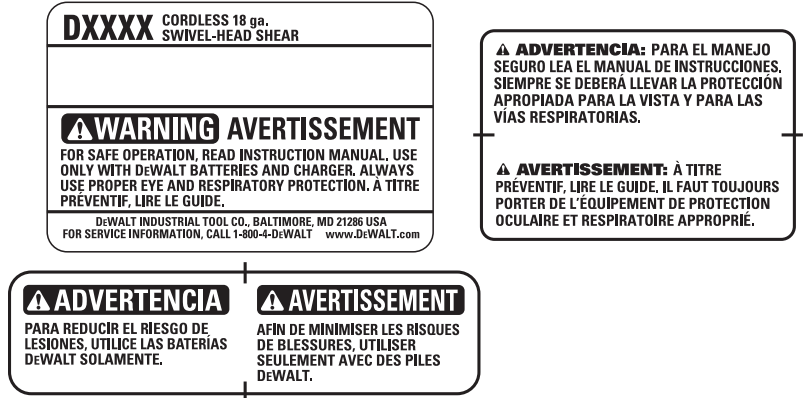
DEWALT realiza el mantenimiento de la herramienta y reemplaza las piezas gastadas tras el uso normal, sin costo alguno, en cualquier momento durante el primer año después de la compra.

#### GARANTÍA DE REEMBOLSO DE DINERO DE 90 DÍAS

If you are not completely satisfied with the performance of your DEWALT Power Tool, Laser, or Nailer for any reason, you can return it within 90 days from the date of purchase with a receipt for a full refund – no questions asked.

**AMÉRICA LATINA:** Esta garantía no se aplica a los productos que se venden en América Latina. Para los productos que se venden en América Latina, debe consultar la información de la garantía específica del país que viene en el empaque, llamar a la compañía local o visitar el sitio Web a fin de obtener esa información.

**REEMPLAZO GRATUITO DE LAS ETIQUETAS DE ADVERTENCIA:** Si sus etiquetas de advertencia se tornan ilegibles o faltan, llame al 1-800-4-DEWALT para que se le reemplacen gratuitamente.



#### PARA REPARACIÓN Y SERVICIO DE SUS HERRAMIENTAS ELÉCTRICAS, FAVOR DE DIRIGIRSE AL CENTRO DE SERVICIO MÁS CERCANO

<b>CULIACAN, SIN</b> Av. Nicolás Bravo #1063 Sur - Col. Industrial Bravo	(667) 7 12 42 11
<b>GUADALAJARA, JAL</b> Av. La Paz #1779 - Col. Americana Sector Juárez	(33) 3825 6978
<b>MEXICO, D.F.</b> Eje Central Lázaro Cárdenas No. 18 Local D, Col. Obrera	(55) 5588 9377
<b>MERIDA, YUC</b> Calle 63 #459-A - Col. Centro	(999) 928 5038
<b>MONTERREY, N.L.</b> Av. Francisco I. Madero No.831 - Col. Centro	(81) 8375 2313
<b>PUEBLA, PUE</b> 17 Norte #205 - Col. Centro	(222) 246 3714
<b>QUERETARO, QRO</b> Av. Madero 139 Pte. - Col. Centro	(442) 214 1660
<b>SAN LUIS POTOSI, SLP</b> Av. Universidad 1525 - Col. San Luis	(444) 814 2383
<b>TORREON, COAH</b> Blvd. Independencia, 96 Pte. - Col. Centro	(871) 716 5265
<b>VERACRUZ, VER</b> Prolongación Díaz Mirón #4280 - Col. Remes	(229) 921 7016
<b>VILLAHERMOSA, TAB</b> Constitución 516-A - Col. Centro	(993) 312 5111

**PARA OTRAS LOCALIDADES LLAME AL: (55) 5326 7100**

#### ESPECIFICACIONES

DC490	18.0 volts	0-2 300 spm
DC495	18.0 volts	0-2 300 spm
DW940	12.0 volts	0-2 300 spm
DW941	14.4 volts	0-2 300 spm

IMPORTADOR: DEWALT S.A. DE C.V.  
BOSQUES DE CIDROS ACCESO RADIATAS NO. 42  
COL. BOSQUES DE LAS LOMAS, 3A. SECCIÓN, CP 05120  
DELEGACIÓN CUAJIMALPA, MÉXICO, D.F.  
TEL. 5 326 7100  
R.F.C.: BDE810626-1W7

Para servicio y ventas consulte  
"HERRAMIENTAS ELÉCTRICAS"  
en la sección amarilla.



Cat Number Modèle	Voltage Tension	120 Volts/Voltios												12 Volts/Voltios			
		Chargers/Charge Time Cargadores/Durée de charge (Minutes)															
		DW9106	DW9107	DW9108	DW9116	DW9216	DW9117	DW9111	DC011	DC9000	DW0246	DW0249	DW0109				
DW0242	24	X	X	X	X	X	X	X	X	X	X	X	X	X	X	X	X
DC9096	18	X	X	X	X	X	X	X	X	X	X	X	X	X	X	X	X
DW9096	18	X	X	X	X	X	X	X	X	X	X	X	X	X	X	X	X
DW9098	18	X	X	X	X	X	X	X	X	X	X	X	X	X	X	X	X
DW9099	18	X	X	X	X	X	X	X	X	X	X	X	X	X	X	X	X
DC9091	14.4	90	115	60	60	60	60	60	60	60	60	60	60	60	60	60	60
DW9094	14.4	60	60	60	60	60	60	60	60	60	60	60	60	60	60	60	60
DC9071	12	90	115	60	60	60	60	60	60	60	60	60	60	60	60	60	60
DW9071	12	60	90	45	45	45	45	45	45	45	45	45	45	45	45	45	45
DW9072	12	45	60	30	30	30	30	30	30	30	30	30	30	30	30	30	30
DW9050	12	40	X	X	X	X	X	X	X	X	X	X	X	X	X	X	X
DW9061	9.6	60	90	45	45	45	45	45	45	45	45	45	45	45	45	45	45
DW9062	9.6	45	60	30	30	30	30	30	30	30	30	30	30	30	30	30	30
DW9048	9.6	40	X	X	X	X	X	X	X	X	X	X	X	X	X	X	X
DW9057	7.2	45	60	30	30	30	30	30	30	30	30	30	30	30	30	30	30
DC9036	36	X	X	X	X	X	X	X	X	X	X	X	X	X	X	X	X

**X** Indicates that the battery pack is not compatible with that specific charger.

X indique que le bloc-piles n'est pas compatible avec ce chargeur.

Una "X" indica que el paquete de baterías no es compatible con ese determinado cargador.

All charge times are approximate. Actual charge time may vary.  
Read the instruction manual for more specific information.

Les durées de charge sont approximatives; la durée de charge réelle peut varier.

El tiempo de duración de carga es aproximado; la duración de carga real puede variar.

Lea el manual de instrucciones para obtener información más precisa.