

*If you have questions or comments, contact us.
Pour toute question ou tout commentaire, nous contacter.
Si tiene dudas o comentarios, contáctenos.*

1-800-4-DEWALT • www.dewalt.com

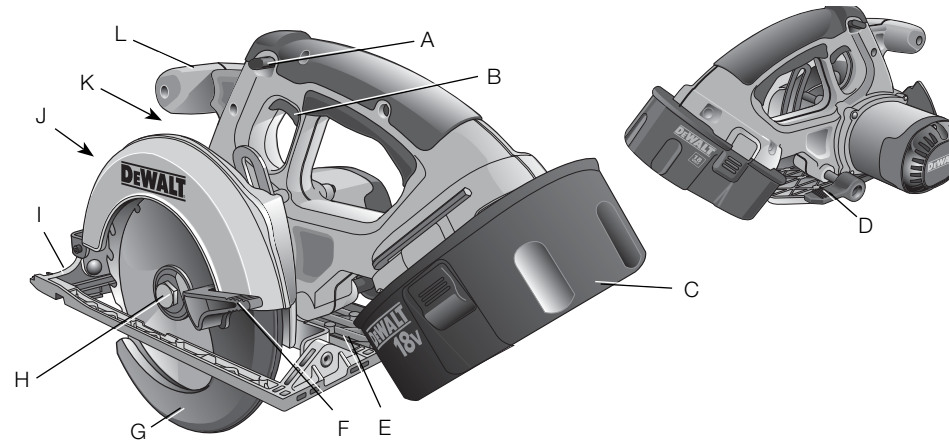
**INSTRUCTION MANUAL
GUIDE D'UTILISATION
MANUAL DE INSTRUCCIONES**

*INSTRUCTIVO DE OPERACIÓN, CENTROS DE SERVICIO Y PÓLIZA DE
GARANTÍA. **ADVERTENCIA:** LÉASE ESTE INSTRUCTIVO ANTES DE
USAR EL PRODUCTO.*

DEWALT®

**DC390, DCS392
18V Cordless Circular Saws
Scies circulaires sans fil de 18 V
Sierras circulares inalámbricas de 18 V**

DC390 18.0 Volt Cordless Circular Saw 3700 RPM



- A. Switch lock-off button
- B. Trigger switch
- C. Battery pack
- D. Depth adjustment knob
- E. Shoe
- F. Lower guard retracting lever
- G. Lower guard
- H. Blade clamping screw
- I. Kerf indicator
- J. Bevel adjustment knob (not shown)
- K. Blade lock button (not shown)
- L. Auxiliary handle

Definitions: Safety Guidelines

The definitions below describe the level of severity for each signal word. Please read the manual and pay attention to these symbols.

▲DANGER: Indicates an imminently hazardous situation which, if not avoided, **will** result in **death or serious injury**.

▲WARNING: Indicates a potentially hazardous situation which, if not avoided, **could** result in **death or serious injury**.

▲CAUTION: Indicates a potentially hazardous situation which, if not avoided, **may** result in **minor or moderate injury**.

NOTICE: indicates a practice **not related to personal injury** which, if not avoided, **may** result in **property damage**.

IF YOU HAVE ANY QUESTIONS OR COMMENTS ABOUT THIS OR ANY DEWALT TOOL, CALL US TOLL FREE AT: **1-800-4-DEWALT (1-800-433-9258)**.



WARNING: To reduce the risk of injury, read the instruction manual.

General Power Tool Safety Warnings



WARNING! Read all safety warnings and all instructions. Failure to follow the warnings and instructions may result in electric shock, fire and/or serious injury.

SAVE ALL WARNINGS AND INSTRUCTIONS FOR FUTURE REFERENCE

The term "power tool" in the warnings refers to your mains-operated (corded) power tool or battery-operated (cordless) power tool.

1) WORK AREA SAFETY

- a) **Keep work area clean and well lit.** Cluttered or dark areas invite accidents.
- b) **Do not operate power tools in explosive atmospheres, such as in the presence of flammable liquids, gases or dust.** Power tools create sparks which may ignite the dust or fumes.
- c) **Keep children and bystanders away while operating a power tool.** Distractions can cause you to lose control.

2) ELECTRICAL SAFETY

- a) **Power tool plugs must match the outlet. Never modify the plug in any way. Do not use any adapter plugs with earthed (grounded) power tools.** Unmodified plugs and matching outlets will reduce risk of electric shock.
- b) **Avoid body contact with earthed or grounded surfaces such as pipes, radiators, ranges and refrigerators.** There is an increased risk of electric shock if your body is earthed or grounded.
- c) **Do not expose power tools to rain or wet conditions.** Water entering a power tool will increase the risk of electric shock.
- d) **Do not abuse the cord. Never use the cord for carrying, pulling or unplugging the power tool. Keep cord away from heat, oil, sharp edges or moving parts.** Damaged or entangled cords increase the risk of electric shock.
- e) **When operating a power tool outdoors, use an extension cord suitable for outdoor use.** Use of a cord suitable for outdoor use reduces the risk of electric shock.
- f) **If operating a power tool in a damp location is unavoidable, use a ground fault circuit interrupter (GFCI) protected supply.** Use of a GFCI reduces the risk of electric shock.

3) PERSONAL SAFETY

- a) **Stay alert, watch what you are doing and use common sense when operating a power tool. Do not use a power tool while you are tired or under the influence of drugs, alcohol or medication.** A moment of inattention while operating power tools may result in serious personal injury.
- b) **Use personal protective equipment. Always wear eye protection.** Protective equipment such as dust mask, non-skid safety shoes, hard hat, or hearing protection used for appropriate conditions will reduce personal injuries.
- c) **Prevent unintentional starting. Ensure the switch is in the off position before connecting to power source and/or battery pack, picking up or carrying the tool.** Carrying power tools with your finger on the switch or energizing power tools that have the switch on invites accidents.
- d) **Remove any adjusting key or wrench before turning the power tool on.** A wrench or a key left attached to a rotating part of the power tool may result in personal injury.
- e) **Do not overreach. Keep proper footing and balance at all times.** This enables better control of the power tool in unexpected situations.
- f) **Dress properly. Do not wear loose clothing or jewelry. Keep your hair, clothing and gloves away from moving parts.** Loose clothes, jewelry or long hair can be caught in moving parts.
- g) **If devices are provided for the connection of dust extraction and collection facilities, ensure these are connected and properly used.** Use of dust collection can reduce dust-related hazards.

4) POWER TOOL USE AND CARE

- a) **Do not force the power tool. Use the correct power tool for your application.** The correct power tool will do the job better and safer at the rate for which it was designed.

- b) **Do not use the power tool if the switch does not turn it on and off.** Any power tool that cannot be controlled with the switch is dangerous and must be repaired.
- c) **Disconnect the plug from the power source and/or the battery pack from the power tool before making any adjustments, changing accessories, or storing power tools.** Such preventive safety measures reduce the risk of starting the power tool accidentally.
- d) **Store idle power tools out of the reach of children and do not allow persons unfamiliar with the power tool or these instructions to operate the power tool.** Power tools are dangerous in the hands of untrained users.
- e) **Maintain power tools. Check for misalignment or binding of moving parts, breakage of parts and any other condition that may affect the power tool's operation. If damaged, have the power tool repaired before use.** Many accidents are caused by poorly maintained power tools.
- f) **Keep cutting tools sharp and clean.** Properly maintained cutting tools with sharp cutting edges are less likely to bind and are easier to control.
- g) **Use the power tool, accessories and tool bits, etc. in accordance with these instructions, taking into account the working conditions and the work to be performed.** Use of the power tool for operations different from those intended could result in a hazardous situation.

5) BATTERY TOOL USE AND CARE

- a) **Recharge only with the charger specified by the manufacturer.** A charger that is suitable for one type of battery pack may create a risk of fire when used with another battery pack.
- b) **Use power tools only with specifically designated battery packs.** Use of any other battery packs may create a risk of injury and fire.

- c) **When battery pack is not in use, keep it away from other metal objects, like paper clips, coins, keys, nails, screws, or other small metal objects, that can make a connection from one terminal to another.** Shorting the battery terminals together may cause burns or a fire.
- d) **Under abusive conditions, liquid may be ejected from the battery; avoid contact. If contact accidentally occurs, flush with water. If liquid contacts eyes, additionally seek medical help.** Liquid ejected from the battery may cause irritation or burns.
- 6) **SERVICE**
- a) **Have your power tool serviced by a qualified repair person using only identical replacement parts.** This will ensure that the safety of the power tool is maintained.

Additional Safety Rules for Circular Saws

⚠ DANGER:

- a) **Keep hands away from cutting area and blade. Keep your second hand on auxiliary handle or motor housing.** If both hands are holding the saw, they cannot be cut by the blade.
- b) **Do not reach underneath the workpiece.** The guard cannot protect you from the blade below the workpiece.
- c) **Adjust the cutting depth to the thickness of the workpiece.** Less than a full tooth of the blade teeth should be visible below the workpiece.
- d) **Never hold piece being cut in your hands or across your leg. Secure the workpiece to a stable platform.** It is important to support the work properly to minimize body exposure, blade binding, or loss of control.
- e) **Hold power tool by insulated gripping surfaces when performing an operation where the cutting tool may contact hidden wiring or its own cord.** Contact with a "live"

wire will also make exposed metal parts of the power tool "live" and shock the operator.

- f) **When ripping always use a rip fence or straight edge guide.** This improves the accuracy of cut and reduces the chance of blade binding.
- g) **Always use blades with correct size and shape (diamond versus round) of arbor holes.** Blades that do not match the mounting hardware of the saw will run eccentrically, causing loss of control.
- h) **Never use damaged or incorrect blade washers or bolt.** The blade washers and bolt were specially designed for your saw, for optimum performance and safety of operation.

CAUSES AND OPERATOR PREVENTION OF KICKBACK:

- Kickback is a sudden reaction to a pinched, bound or misaligned saw blade, causing an uncontrolled saw to lift up and out of the workpiece toward the operator.
- When the blade is pinched or bound tightly by the kerf closing down, the blade stalls and the motor reaction drives the unit rapidly back toward the operator.
- If the blade becomes twisted or misaligned in the cut, the teeth at the back edge of the blade can dig into the top surface of the wood causing the blade to climb out of the kerf and jump back toward the operator.

Kickback is the result of saw misuse and/or incorrect operating procedures or conditions and can be avoided by taking proper precautions as given below:

- a) **Maintain a firm grip with both hands on the saw and position your arms to resist kickback forces. Position your body to either side of the blade, but not in line with the blade.** Kickback could cause the saw to jump backwards, but kickback forces can be controlled by the operator, if proper precautions are taken.

- b) **When blade is binding, or when interrupting a cut for any reason, release the trigger and hold the saw motionless in the material until the blade comes to a complete stop. Never attempt to remove the saw from the work or pull the saw backward while the blade is in motion or kickback may occur.** Investigate and take corrective actions to eliminate the cause of blade binding.
- c) **When restarting a saw in the workpiece, centre the saw blade in the kerf and check that saw teeth are not engaged into the material.** If saw blade is binding, it may walk up or kickback from the workpiece as the saw is restarted.
- d) **Support large panels to minimize the risk of blade pinching and kickback.** Large panels tend to sag under their own weight. Supports must be placed under the panel on both sides, near the line of cut and near the edge of the panel.
- e) **Do not use dull or damaged blades.** Unsharpened or improperly set blades produce narrow kerf causing excessive friction, blade binding and kickback.
- f) **Blade depth and bevel adjusting locking levers must be tight and secure before making cut.** If blade adjustment shifts while cutting, it may cause binding and kickback.
- g) **Use extra caution when sawing into existing walls or other blind areas.** The protruding blade may cut objects that can cause kickback.
- b) **Check the operation of the lower guard spring. If the guard and the spring are not operating properly, they must be serviced before use.** Lower guard may operate sluggishly due to damaged parts, gummy deposits, or a build-up of debris.
- c) **Lower guard should be retracted manually only for special cuts such as "plunge cuts" and "compound cuts." Raise lower guard by retracting handle and as soon as blade enters the material, the lower guard must be released.** For all other sawing, the lower guard should operate automatically.
- d) **Always observe that the lower guard is covering the blade before placing saw down on bench or floor.** An unprotected, coasting blade will cause the saw to walk backwards, cutting whatever is in its path. Be aware of the time it takes for the blade to stop after switch is released.

Additional Safety Rules

- **Use clamps or another practical way to secure and support the workpiece to a stable platform.** Holding the work by hand or against your body leaves it unstable and may lead to loss of control.
- **Keep your body positioned to either side of the blade, but not in line with the saw blade.** KICKBACK could cause the saw to jump backwards (see Causes and Operator Prevention of Kickback and KICKBACK).
- **CAUTION:** Blades coast after turn off. Serious personal injury may result.
- **Avoid cutting nails. Inspect for and remove all nails from lumber before cutting.**
- **Air vents often cover moving parts and should be avoided.** Loose clothes, jewelry or long hair can be caught in moving parts.

LOWER GUARD SAFETY INSTRUCTIONS

- a) **Check lower guard for proper closing before each use. Do not operate the saw if lower guard does not move freely and close instantly. Never clamp or tie the lower guard into the open position.** If saw is accidentally dropped, lower guard may be bent. Raise the lower guard with the retracting handle and make sure it moves freely and does not touch the blade or any other part, in all angles and depths of cut.

⚠ WARNING: ALWAYS use safety glasses. Everyday eyeglasses are NOT safety glasses. Also use face or dust mask if cutting operation is dusty. ALWAYS WEAR CERTIFIED SAFETY EQUIPMENT:

- ANSI Z87.1 eye protection (CAN/CSA Z94.3),
- ANSI S12.6 (S3.19) hearing protection,
- NIOSH/OSHA/MSHA respiratory protection.

⚠ WARNING: Some dust created by power sanding, sawing, grinding, drilling, and other construction activities contains chemicals known to the State of California to cause cancer, birth defects or other reproductive harm. Some examples of these chemicals are:

- lead from lead-based paints,
- crystalline silica from bricks and cement and other masonry products, and
- arsenic and chromium from chemically-treated lumber.

Your risk from these exposures varies, depending on how often you do this type of work. To reduce your exposure to these chemicals: work in a well ventilated area, and work with approved safety equipment, such as those dust masks that are specially designed to filter out microscopic particles.

- **Avoid prolonged contact with dust from power sanding, sawing, grinding, drilling, and other construction activities. Wear protective clothing and wash exposed areas with soap and water.** Allowing dust to get into your mouth, eyes, or lay on the skin may promote absorption of harmful chemicals.

⚠ WARNING: Use of this tool can generate and/or disperse dust, which may cause serious and permanent respiratory or other injury. Always use NIOSH/OSHA approved respiratory protection appropriate for the dust exposure. Direct particles away from face and body.

⚠ WARNING: Always wear proper personal hearing protection that conforms to ANSI S12.6 (S3.19) during use. Under some conditions and duration of use, noise from this product may contribute to hearing loss.

⚠ CAUTION: When not in use, place tool on its side on a stable surface where it will not cause a tripping or falling hazard.

Some tools with large battery packs will stand upright on the battery pack but may be easily knocked over.

- The label on your tool may include the following symbols. The symbols and their definitions are as follows:

V..... volts	A..... amperes
Hz..... hertz	W..... watts
min minutes	~ or AC..... alternating current
==== or DC... direct current	⎓ or AC/DC... alternating or direct current
⚠..... Class I Construction (grounded)	□..... Class II Construction (double insulated)
.../min per minute	n _o no load speed
BPM..... beats per minute	n rated speed
IPM..... impacts per minute	⊕..... earthing terminal
RPM..... revolutions per minute	⚠..... safety alert symbol
sfpm surface feet per minute	
SPM strokes per minute	

Important Safety Instructions for All Battery Packs

When ordering replacement battery packs, be sure to include catalog number and voltage. Consult the chart at the end of this manual for compatibility of chargers and battery packs.

The battery pack is not fully charged out of the carton. Before using the battery pack and charger, read the safety instructions below. Then follow charging procedures outlined.

READ ALL INSTRUCTIONS

- **Do not charge or use battery in explosive atmospheres, such as in the presence of flammable liquids, gases or dust.** Inserting or removing the battery from the charger may ignite the dust or fumes.
- **NEVER force battery pack into charger. DO NOT modify battery pack in any way to fit into a non-compatible charger as battery pack may rupture causing serious personal injury.** Consult the chart at the end of this manual for compatibility of batteries and chargers.
- Charge the battery packs only in DEWALT chargers.
- **DO NOT** splash or immerse in water or other liquids.
- **Do not store or use the tool and battery pack in locations where the temperature may reach or exceed 105 °F (40 °C) (such as outside sheds or metal buildings in summer).**

⚠ DANGER: Electrocutation hazard. Never attempt to open the battery pack for any reason. If battery pack case is cracked or damaged, do not insert into charger. Do not crush, drop or damage battery pack. Do not use a battery pack or charger that has received a sharp blow, been dropped, run over or damaged in any way (i.e., pierced with a nail, hit with a hammer, stepped on). Electric shock or electrocution may result. Damaged battery packs should be returned to service center for recycling.

NOTE: Battery storage and carrying caps are provided for use whenever the battery is out of the tool or charger. Remove cap before placing battery in charger or tool.

⚠ WARNING: Fire hazard. Do not store or carry battery so that metal objects can contact exposed battery terminals. For example, do not place battery in aprons, pockets,



tool boxes, product kit boxes, drawers, etc., with loose nails, screws, keys, etc. without battery cap. **Transporting batteries can possibly cause fires if the battery terminals inadvertently come in contact with conductive materials such as keys, coins, hand tools and the like.** The US Department of Transportation Hazardous Material Regulations (HMR) actually prohibit transporting batteries in commerce or on airplanes (i.e., packed in suitcases and carry-on luggage) UNLESS they are properly protected from short circuits. So when transporting individual batteries, make sure that the battery terminals are protected and well insulated from materials that could contact them and cause a short circuit.

SPECIFIC SAFETY INSTRUCTIONS FOR NICKEL CADMIUM (NiCd) OR NICKEL METAL HYDRIDE (NiMH)

- **Do not incinerate the battery pack even if it is severely damaged or is completely worn out.** The battery pack can explode in a fire.
- **A small leakage of liquid from the battery pack cells may occur under extreme usage or temperature conditions.** This does not indicate a failure.

However, if the outer seal is broken:

- a. and the battery liquid gets on your skin, immediately wash with soap and water for several minutes.
- b. and the battery liquid gets into your eyes, flush them with clean water for a minimum of 10 minutes and seek immediate medical attention. **(Medical note:** The liquid is 25-35% solution of potassium hydroxide.)

SPECIFIC SAFETY INSTRUCTIONS FOR LITHIUM ION (Li-Ion)

- **Do not incinerate the battery pack even if it is severely damaged or is completely worn out.** The battery pack can explode in a fire. Toxic fumes and materials are created when lithium ion battery packs are burned.

- **If battery contents come into contact with the skin, immediately wash area with mild soap and water.** If battery liquid gets into the eye, rinse water over the open eye for 15 minutes or until irritation ceases. If medical attention is needed, the battery electrolyte is composed of a mixture of liquid organic carbonates and lithium salts.
- **Contents of opened battery cells may cause respiratory irritation.** Provide fresh air. If symptoms persist, seek medical attention.

⚠WARNING: Burn hazard. Battery liquid may be flammable if exposed to spark or flame.

The RBRC™ Seal

The RBRC™ (Rechargeable Battery Recycling Corporation) Seal on the nickel cadmium, nickel metal hydride or lithium ion batteries (or battery packs) indicate that the costs to recycle these batteries (or battery packs) at the end of their useful life have already been paid by DEWALT. In some areas, it is illegal to place spent nickel cadmium, nickel metal hydride or lithium ion batteries in the trash or municipal solid waste stream and the RBRC program provides an environmentally conscious alternative.



RBRC™ in cooperation with DEWALT and other battery users, has established programs in the United States and Canada to facilitate the collection of spent nickel cadmium, nickel metal hydride or lithium ion batteries. Help protect our environment and conserve natural resources by returning the spent nickel cadmium, nickel metal hydride or lithium ion batteries to an authorized DEWALT service center or to your local retailer for recycling. You may also contact your local recycling center for information on where to drop off the spent battery. RBRC™ is a registered trademark of the *Rechargeable Battery Recycling Corporation*.

Important Safety Instructions for All Battery Chargers

SAVE THESE INSTRUCTIONS: This manual contains important safety and operating instructions for battery chargers.

- Before using charger, read all instructions and cautionary markings on charger, battery pack, and product using battery pack.

⚠DANGER: Electrocutation hazard. 120 volts are present at charging terminals. Do not probe with conductive objects. Electric shock or electrocution may result.

⚠WARNING: Shock hazard. Do not allow any liquid to get inside charger. Electric shock may result.

⚠CAUTION: Burn hazard. To reduce the risk of injury, charge only DEWALT rechargeable batteries. Other types of batteries may burst causing personal injury and damage.

NOTICE: Under certain conditions, with the charger plugged in to the power supply, the exposed charging contacts inside the charger can be shorted by foreign material. Foreign materials of a conductive nature such as, but not limited to, grinding dust, metal chips, steel wool, aluminum foil, or any buildup of metallic particles should be kept away from charger cavities. Always unplug the charger from the power supply when there is no battery pack in the cavity. Unplug charger before attempting to clean.

- **DO NOT attempt to charge the battery pack with any chargers other than the ones in this manual.** The charger and battery pack are specifically designed to work together.
- **These chargers are not intended for any uses other than charging DEWALT rechargeable batteries.** Any other uses may result in risk of fire, electric shock or electrocution.
- **Do not expose charger to rain or snow.**
- **Pull by plug rather than cord when disconnecting charger.** This will reduce risk of damage to electric plug and cord.

- **Make sure that cord is located so that it will not be stepped on, tripped over, or otherwise subjected to damage or stress.**
- **Do not use an extension cord unless it is absolutely necessary.** Use of improper extension cord could result in risk of fire, electric shock, or electrocution.
- **When operating a power tool outdoors, use an extension cord suitable for outdoor use.** Use of a cord suitable for outdoor use reduces the risk of electric shock.
- **An extension cord must have adequate wire size (AWG or American Wire Gauge) for safety.** The smaller the gauge number of the wire, the greater the capacity of the cable, that is 16 gauge has more capacity than 18 gauge. An undersized cord will cause a drop in line voltage resulting in loss of power and overheating. When using more than one extension to make up the total length, be sure each individual extension contains at least the minimum wire size. The following table shows the correct size to use depending on cord length and nameplate ampere rating. If in doubt, use the next heavier gauge. The smaller the gauge number, the heavier the cord.

Minimum Gauge for Cord Sets						
Ampere Rating		Volts	Total Length of Cord in Feet (meters)			
		120 V	25 (7.6)	50 (15.2)	100 (30.5)	150 (45.7)
		240 V	50 (15.2)	100 (30.5)	200 (61.0)	300 (91.4)
More Than	Not More Than	AWG				
0	6		18	16	16	14
6	10		18	16	14	12
10	12		16	16	14	12
12	16		14	12	Not Recommended	

- **Do not place any object on top of charger or place the charger on a soft surface that might block the ventilation slots and result in excessive internal heat.** Place the charger in a position away from any heat source. The charger is ventilated through slots in the top and the bottom of the housing.
- **Do not operate charger with damaged cord or plug.**
- **Do not operate charger if it has received a sharp blow, been dropped, or otherwise damaged in any way.** Take it to an authorized service center.
- **Do not disassemble charger; take it to an authorized service center when service or repair is required.** Incorrect reassembly may result in a risk of electric shock, electrocution or fire.
- **Disconnect the charger from the outlet before attempting any cleaning. This will reduce the risk of electric shock.** Removing the battery pack will not reduce this risk.

Charge Indicators

Some chargers are designed to detect certain problems that can arise with battery packs. Problems are indicated by the red light flashing at a fast rate. If this occurs, re-insert battery pack into the charger. If the problem persists, try a different battery pack to determine if the charger is OK. If the new pack charges correctly, then the original pack is defective and should be returned to a service center or other collection site for recycling. If the new battery pack elicits the same trouble indication as the original, have the charger tested at an authorized service center.

HOT/COLD PACK DELAY

Some chargers have a Hot/Cold Pack Delay feature: when the charger detects a battery that is hot, it automatically starts a Hot Pack Delay, suspending charging until the battery has cooled. After the battery has cooled, the charger automatically switches to the Pack Charging mode. This feature ensures maximum battery life. The red light flashes long, then short while in the Hot Pack Delay mode.

PROBLEM POWER LINE

Some chargers have a Problem Power Line indicator. When the charger is used with some portable power sources such as generators or sources that convert DC to AC, the charger may temporarily suspend operation, **flashing the red light with two fast blinks followed by a pause**. This indicates the power source is out of limits.

LEAVING THE BATTERY PACK IN THE CHARGER

The charger and battery pack can be left connected with the red light glowing indefinitely. The charger will keep the battery pack fresh and fully charged.

NOTE: A battery pack will slowly lose its charge when kept out of the charger. If the battery pack has not been kept on maintenance charge, it may need to be recharged before use. A battery pack may

also slowly lose its charge if left in a charger that is not plugged into an appropriate AC source.

WEAK BATTERY PACKS: Chargers can also detect a weak battery pack. Such batteries are still usable but should not be expected to perform as much work. The charger will indicate to replace battery pack.

Important Charging Notes

1. Longest life and best performance can be obtained if the battery pack is charged when the air temperature is between 65 °F and 75 °F (18 °–24 °C). DO NOT charge the battery pack in an air temperature below +40 °F (+4.5 °C), or above +105 °F (+40.5 °C). This is important and will prevent serious damage to the battery pack.
2. The charger and battery pack may become warm to touch while charging. This is a normal condition, and does not indicate a problem. To facilitate the cooling of the battery pack after use, avoid placing the charger or battery pack in a warm environment such as in a metal shed, or an uninsulated trailer.
3. If the battery pack does not charge properly:
 - a. Check operation of receptacle by plugging in a lamp or other appliance;
 - b. Check to see if receptacle is connected to a light switch which turns power off when you turn out the lights;
 - c. Move charger and battery pack to a location where the surrounding air temperature is approximately 65 °F–75 °F (18 °– 24 °C);
 - d. If charging problems persist, take the tool, battery pack and charger to your local service center.
4. The battery pack should be recharged when it fails to produce sufficient power on jobs which were easily done previously. DO NOT CONTINUE to use under these conditions. Follow the

charging procedure. You may also charge a partially used pack whenever you desire with no adverse affect on the battery pack.

5. Under certain conditions, with the charger plugged into the power supply, the exposed charging contacts inside the charger can be shorted by foreign material. Foreign materials of a conductive nature such as, but not limited to, grinding dust, metal chips, steel wool, aluminum foil, or any buildup of metallic particles should be kept away from charger cavities. Always unplug the charger from the power supply when there is no battery pack in the cavity. Unplug charger before attempting to clean.

6. Do not freeze or immerse charger in water or any other liquid.

⚠ WARNING: Shock hazard. Don't allow any liquid to get inside charger. Electric shock may result.

⚠ WARNING: Burn hazard. Never attempt to open the battery pack for any reason. If the plastic housing of the battery pack breaks or cracks, return to a service center for recycling.

Storage Recommendations

1. The best storage place is one that is cool and dry away from direct sunlight and excess heat or cold.
2. For long storage, it is recommended to store a fully charged battery pack in a cool dry place out of the charger for optimal results.

NOTE: Battery packs should not be stored completely depleted of charge. The battery pack will need to be recharged before use.

SAVE THESE INSTRUCTIONS FOR FUTURE USE

OPERATION

⚠ WARNING: To reduce the risk of serious personal injury, turn tool off and remove the battery pack before making any adjustments or removing/installing attachments or accessories. An accidental start-up can cause injury.

FIG. 2

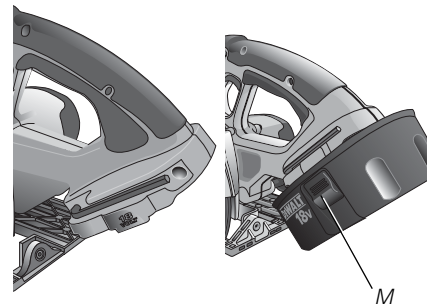
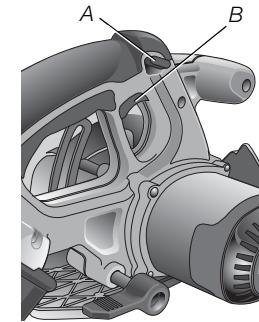


FIG. 3



Installing and Removing the Battery Pack (Fig. 2, 3)

⚠ WARNING: Make certain the switch lock-off button (A) is engaged to prevent switch actuation before removing or installing battery.

NOTE: For best results, make sure your battery pack is fully charged.

To install the battery pack into the tool handle, align the notch inside the tool's handle with the battery pack and slide the battery pack firmly into the handle until you hear the lock snap into place as shown in Figure 2.

To remove the battery pack from the tool, press the release buttons (M) and firmly pull the battery pack out of the tool handle. Insert it into the charger as described in the charger section of this manual.

Switch (Fig. 3)

Release switch lock-off button (A) by pressing button as shown (Fig. 3). Pull the trigger switch (B) to turn the motor ON. Releasing the trigger switch turns the motor OFF. Releasing the trigger switch also automatically actuates lock-off button.

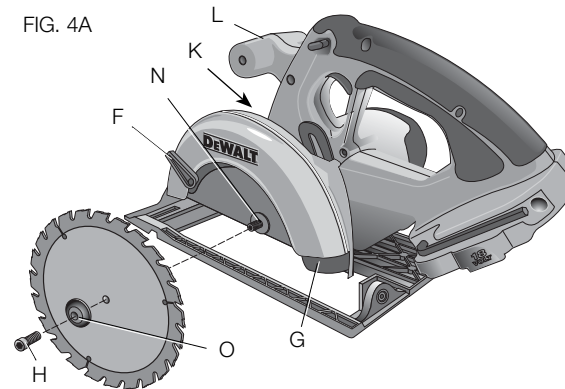
NOTE: This tool has no provision to lock the switch in the ON position, and should never be locked ON by any other means.

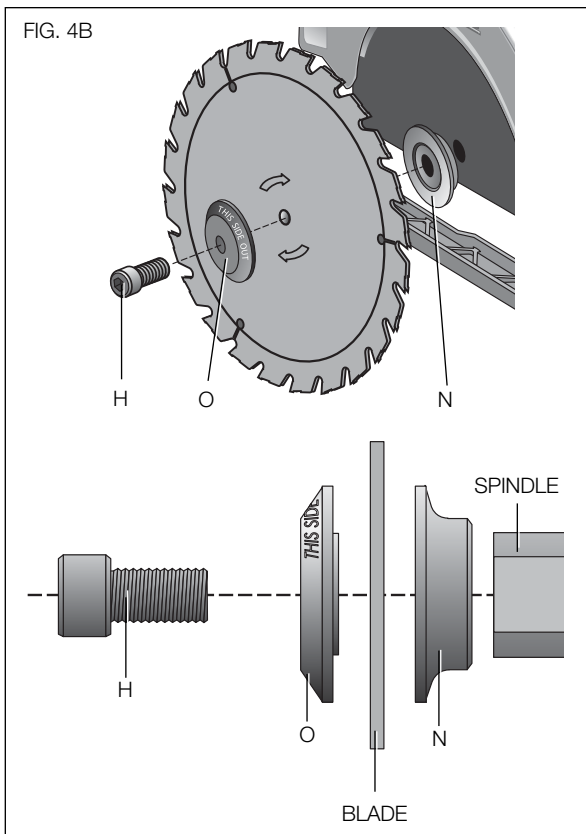
Changing Blades

TO INSTALL THE BLADE (FIG. 4, 5)

1. Place inner clamp washer (N) on saw spindle with the large flat surface facing out toward the blade (Fig. 4a, 4b).
2. Retract the lower blade guard (G) and place blade on saw spindle against the inner clamp washer, making sure that the blade will rotate in the proper direction (the direction of the rotation arrow on the saw blade and the teeth must point in the same direction as the direction of rotation arrow on the lower blade guard). Do not assume that the printing on the blade will always be facing you when properly installed. When retracting the lower blade guard to install the blade, check the condition and operation of the lower blade guard to assure that it is working properly. Make sure it moves freely and does not touch the blade or any other part, in all angles and depths of cut.
3. Place outer clamp washer (O) on saw spindle with the large flat surface against the blade with beveled side facing out.
4. Thread blade clamping screw (H) into saw spindle by hand (screw has left-hand threads and must be turned counterclockwise to tighten).
5. Depress the blade lock (K) while turning the saw spindle with the blade wrench until the blade lock engages and the blade stops rotating (Fig. 5).
6. Tighten the blade clamping screw firmly with the blade wrench.

NOTE: Never engage the blade lock while saw is running, or engage in an effort to stop the tool. Never turn the saw on while the blade lock is engaged. Serious damage to your saw will result.

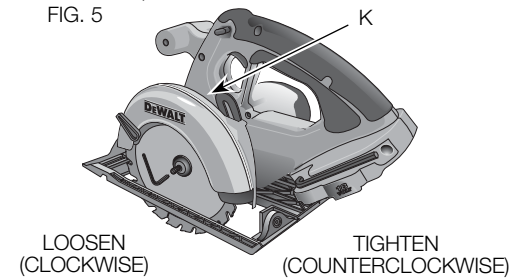




TO REPLACE THE BLADE (FIG. 5)

1. To loosen the blade clamping screw (H), depress the blade lock (K) and turn the saw spindle with the blade wrench until the blade lock engages and the blade stops rotating. With the blade lock engaged, turn the blade clamping screw clockwise with the blade wrench (screw has left-hand threads and must be turned clockwise to loosen).

FIG. 5



2. Remove the blade clamping screw (H) and outer clamp washer (O) only. Remove old blade.
3. Clean any sawdust that may have accumulated in the guard or clamp washer area and check the condition and operation of the lower blade guard as previously outlined. Do not lubricate this area.
4. Select the proper blade for the application (see Blades). Always use blades that are the correct size (diameter) with the proper size and shape center hole for mounting on the saw spindle. Always assure that the maximum recommended speed (rpm) on the saw blade meets or exceeds the speed (rpm) of the saw.
5. Follow steps 2 through 6 under **To Install the Blade**, making sure that the blade will rotate in the proper direction.

LOWER BLADE GUARD

⚠WARNING: *The lower blade guard is a safety feature which reduces the risk of serious personal injury. Never use the saw if the lower guard is missing, damaged, misassembled or not working properly. Do not rely on the lower blade guard to protect you under all circumstances. Your safety depends on following all warnings and precautions as well as proper operation of the saw. Check lower guard for proper closing before each use as outlined in Additional Safety Rules for Circular Saws. If the lower blade guard is missing or not working properly, have the saw serviced before using. To assure product safety and reliability, repair, maintenance and adjustment should be performed by an authorized service center or other qualified service organization, always using identical replacement parts.*

Blades

⚠WARNING: *To minimize the risk of eye injury, always use eye protection. Carbide is a hard but brittle material. Foreign objects in the work piece such as wire or nails can cause tips to crack or break. Only operate saw when proper saw blade guard is in place. Mount blade securely in proper rotation before using, and always use a clean, sharp blade.*

⚠CAUTION: *Do not cut ferrous metals (steel), masonry, glass, masonry-type planking, cement board or tile with this saw.*

Do not use abrasive wheels or blades. A dull blade will cause slow, inefficient cutting overload on the saw motor, excessive splintering, and could increase the possibility of kickback. Please refer to the table on next page to determine the correct size replacement blade for your model saw.

<i>Blade</i>	<i>Diameter</i>	<i>Teeth</i>	<i>Application</i>
DW9155	6-1/2"	18	General Purpose Cutting
DW9154	6-1/2"	24	Smooth Wood Cutting
DW9153	6-1/2"	90	Non-carbide, Plywood/ Vinyl Siding Cutting

If you need assistance regarding blades, please call 1-800-4-DEWALT (1-800-433-9258).

KICKBACK

Kickback is a sudden reaction to a pinched, bound or misaligned saw blade, causing an uncontrolled saw to lift up and out of the workpiece toward the operator. When the blade is pinched or bound tightly by the kerf closing down, the blade stalls and the motor reaction drives the unit rapidly back toward the operator. If the blade becomes twisted or misaligned in the cut, the teeth at the back edge of the blade can dig into the top surface of the wood causing the blade to climb out of the kerf and jump back toward the operator.

Kickback is more likely to occur when any of the following conditions exist.

1. IMPROPER WORKPIECE SUPPORT

- A. Sagging or improper lifting of the cut off piece can cause pinching of the blade and lead to kickback (Fig. 10).
- B. Cutting through material supported at the outer ends only can cause kickback. As the material weakens it sags, closing down the kerf and pinching the blade.
- C. Cutting off a cantilevered or overhanging piece of material from the bottom up in a vertical direction can cause kickback. The falling cut off piece can pinch the blade.
- D. Cutting off long narrow strips (as in ripping) can cause kickback. The cut off strip can sag or twist closing the kerf and pinching the blade.

- E. Snagging the lower guard on a surface below the material being cut momentarily reduces operator control. The saw can lift partially out of the cut increasing the chance of blade twist.

2. IMPROPER DEPTH OF CUT SETTING ON SAW

To make the most efficient cut, the blade should protrude only far enough to expose 1/2 of a tooth as shown in Figure 7. This allows the shoe to support the blade and minimizes twisting and pinching in the material. See the section titled "Cutting Depth Adjustment."

3. BLADE TWISTING (MISALIGNMENT IN CUT)

- A. Pushing harder to cut through a knot, a nail, or a hard grain area can cause the blade to twist.
- B. Trying to turn the saw in the cut (trying to get back on the marked line) can cause blade twist
- C. Over-reaching or operating the saw with poor body control (out of balance), can result in twisting the blade.
- D. Changing hand grip or body position while cutting can result in blade twist.
- E. Backing up the saw to clear blade can lead to twist.

4. MATERIALS THAT REQUIRE EXTRA ATTENTION

- A. Wet lumber
- B. Green lumber (material freshly cut or not kiln dried)
- C. Pressure treated lumber (material treated with preservatives or anti-rot chemicals)

5. USE OF DULL OR DIRTY BLADES

Dull blades cause increased loading of the saw. To compensate, an operator will usually push harder which further loads the unit and promotes twisting of the blade in the kerf. Worn blades may also have insufficient body clearance which increases the chance of binding and increased loading.

6. LIFTING THE SAW WHEN MAKING BEVEL CUT

Bevel cuts require special operator attention to proper cutting techniques - especially guidance of the saw. Both blade angle to the shoe and greater blade surface in the material increase the chance for binding and misalignment (twist) to occur.

7. RESTARTING A CUT WITH THE BLADE TEETH JAMMED AGAINST THE MATERIAL

The saw should be brought up to full operating speed before starting a cut or restarting a cut after the unit has been stopped with the blade in the kerf. Failure to do so can cause stalling and kickback.

Any other conditions which could result in pinching, binding, twisting, or misalignment of the blade could cause kickback. Refer to the sections on adjustments and operation for procedures and techniques that will minimize the occurrence of kickback.

FIG. 6

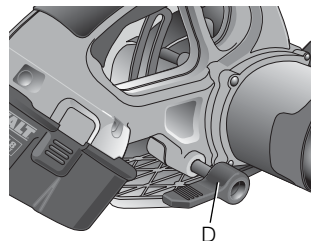
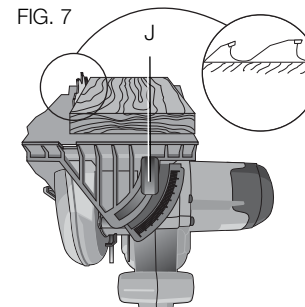


FIG. 7



Cutting Depth Adjustment (Fig. 6, 7)

1. Hold the saw firmly and loosen (clockwise) the depth adjustment knob (D) and move shoe to obtain the desired depth of cut.
2. Make sure the depth adjustment knob has been retightened (counterclockwise) before operating saw.

For the most efficient cutting action, set the depth adjustment so that 1/2 tooth of the blade will project below the material to be cut. This distance is from the tip of the tooth to the bottom of the gullet in front of it. This keeps blade friction at a minimum, removes sawdust from the cut, results in cooler, faster sawing and reduces the chance of kickback. A method for checking for correct cutting depth is shown in Figure 7. Lay a piece of the material you plan to cut along the side of the blade, as shown, and observe how much tooth projects beyond the material.

NOTE: When using carbide-tipped blades, make an exception to the above rule and allow only one-half of a tooth to project below the material to be cut.

Bevel Angle Adjustment (Fig. 7)

The full range of the bevel adjustment is from 0° to 50°. The quadrant is graduated in increments of 1°. On the front of the saw is a bevel angle adjustment mechanism (Fig. 7) consisting of a calibrated quadrant and a knob (J).

TO SET THE SAW FOR A BEVEL CUT

1. Loosen (counterclockwise) the bevel adjustment knob (J) and tilt shoe to the desired angle by aligning the pointer with the desired angle mark.
2. Retighten knob firmly (clockwise).

Shoe Adjustment for 90° Cuts

IF ADDITIONAL ADJUSTMENT IS NEEDED:

1. Adjust the saw to 0° bevel.
2. Retract blade guard. Place the saw on blade side.
3. Loosen bevel adjustment knob. Place a square against the blade and shoe to adjust the 90° setting.

4. Move the adjustment screw so that the shoe will stop at the proper angle.
5. Confirm the accuracy of the setting by checking the squareness of an actual cut on a scrap piece of material.

Kerf Indicator

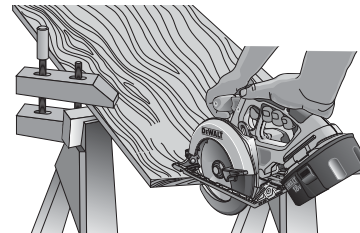
The front of the saw shoe has a kerf indicator for vertical and bevel cutting. This indicator enables you to guide the saw along cutting lines penciled on the material being cut. The indicator lines up with the left (outer) side of the saw blade, which makes the slot or “kerf” cut by the moving blade fall to the right of the indicator. Guide along the penciled cutting line so that the kerf falls into the waste or surplus material.

Work Piece Support (Fig. 8–10)

⚠ WARNING: *It is important to support the work properly and to hold the saw firmly to prevent loss of control which could cause personal injury. Figure 8 illustrates proper hand support of the saw. Maintain a firm grip with both hands on the saw and position your body and arm to allow you to resist kickback if it occurs. ALWAYS TURN OFF TOOL AND REMOVE BATTERY BEFORE MAKING ANY ADJUSTMENTS!*

Figure 8 shows proper sawing position. Note that hands are kept away from cutting area. To avoid kickback, DO support board or panel NEAR the cut (Fig. 9). DON'T support board or panel away from the cut (Fig. 10).

FIG. 8



Place the work with its “good” side – the one on which appearance is most important – down. The saw cuts upward, so any splintering will be on the work face that is up when you cut it.

FIG. 9 DO SUPPORT BOARD OR PANEL NEAR THE CUT.

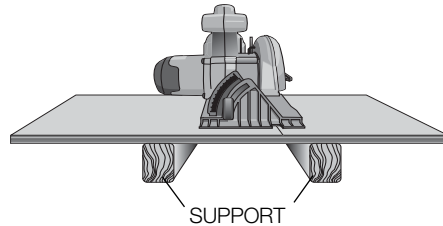
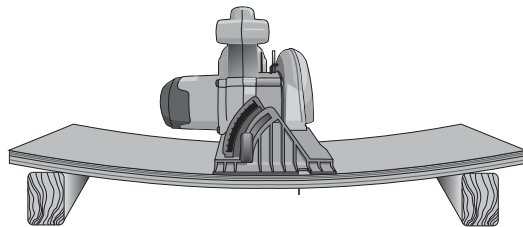


FIG. 10 DON'T support board or panel AWAY from the cut.



Cutting

Place the wider portion of the saw shoe on that part of the work piece which is solidly supported, not on the section that will fall off when the cut is made. As examples, Figure 8 illustrates the RIGHT way to cut off the end of a board. Always clamp work. Don't try to hold short

pieces by hand! Remember to support cantilevered and overhanging material. Use caution when sawing material from below.

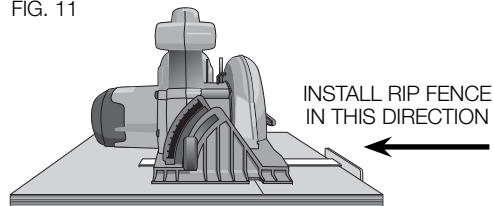
Be sure saw is up to full speed before blade contacts material to be cut. Starting saw with blade against material to be cut or pushed forward into kerf can result in kickback. Push the saw forward at a speed which allows the blade to cut without laboring. Hardness and toughness can vary even in the same piece of material, and knotty or damp sections can put a heavy load on the saw. When this happens, push the saw more slowly, but hard enough to keep working without much decrease in speed. Forcing the saw can cause rough cuts, inaccuracy, kickback, and over-heating of the blade tips and/or the motor. Should your cut begin to go off the line, don't try to force it back on. Release the switch and allow blade to come to a complete stop. Then you can withdraw the saw, sight anew, and start a new cut slightly inside the wrong one. In any event, withdraw the saw if you must shift the cut. Forcing a correction inside the cut can stall the saw and lead to kickback.

IF SAW STALLS, RELEASE THE TRIGGER AND BACK THE SAW UNTIL IT IS LOOSE. BE SURE BLADE IS STRAIGHT IN THE CUT AND CLEAR OF THE CUTTING EDGE BEFORE RESTARTING.

As you finish a cut, release the trigger and allow the blade to stop before lifting the saw from the work. As you lift the saw, the spring-tensioned telescoping guard will automatically close under the blade. Remember the blade is exposed until this occurs. Never reach under the work for any reason. When you have to retract the telescoping guard manually (as is necessary for starting pocket cuts) always use the retracting lever.

NOTE: When cutting thin strips, be careful to ensure that small cutoff pieces don't hang up on inside of lower guard.

FIG. 11

**RIPPING (FIG. 11)**

Ripping is the process of cutting wider boards into narrower strips – cutting grain lengthwise. Hand guiding is more difficult for this type of sawing and the use of a rip fence is recommended.

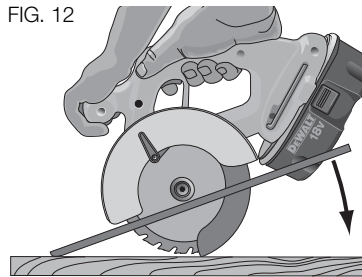
POCKET CUTTING (FIG. 12)

⚠ CAUTION: Never tie the blade guard in a raised position. Never move the saw backwards when pocket cutting. This may cause the unit to raise up off the work surface which could cause injury.

A pocket cut is one that is made in a floor, wall, or other flat surface.

1. Adjust the saw shoe so the blade cuts at desired depth.
2. Tilt the saw forward and rest front of the shoe on material to be cut.
3. Using the retracting lever, retract lower blade guard to an upward position. Lower rear of shoe until blade teeth almost touch cutting line.
4. Release the blade guard (its contact with the work will keep it in position to open freely as you start the cut). Remove hand

FIG. 12



from guard lever and firmly grip auxiliary handle, as shown in Figure 12. Position your body and arm to allow you to resist kickback if it occurs.

5. Make sure blade is not in contact with cutting surface before starting saw.
6. Start the motor and gradually lower the saw until its shoe rests flat on the material to be cut. Advance saw along the cutting line until cut is completed.
7. Release trigger and allow blade to stop completely before withdrawing the blade from the material.
8. When starting each new cut, repeat as above.

MAINTENANCE

⚠ WARNING: To reduce the risk of serious personal injury, turn tool off and remove the battery pack before making any adjustments or removing/installing attachments or accessories. An accidental start-up can cause injury.

Cleaning

⚠ WARNING: Blow dirt and dust out of all air vents with clean, dry air at least once a week. To minimize the risk of eye injury, always wear ANSI Z87.1 approved eye protection when performing this.

⚠ WARNING: Never use solvents or other harsh chemicals for cleaning the non-metallic parts of the tool. These chemicals may weaken the plastic materials used in these parts. Use a cloth dampened only with water and mild soap. Never let any liquid get inside the tool; never immerse any part of the tool into a liquid.

CHARGER CLEANING INSTRUCTIONS

⚠ WARNING: Shock hazard. Disconnect the charger from the AC outlet before cleaning. Dirt and grease may be removed from the exterior of the charger using a cloth or soft non-metallic brush. Do not use water or any cleaning solutions.

Lubrication

Self lubricating ball and roller bearings are used in the tool and relubrication is not required. However, it is recommended that, once a year, you take or send the tool to a certified service center for a thorough cleaning, inspection, and lubrication of the gear case.

Accessories

⚠ WARNING: *Since accessories, other than those offered by DEWALT, have not been tested with this product, use of such accessories with this tool could be hazardous. To reduce the risk of injury, only DEWALT recommended accessories should be used with this product.*

Recommended accessories for use with your tool are available at extra cost from your local dealer or authorized service center. If you need assistance in locating any accessory, please contact DEWALT Industrial Tool Co., 701 East Joppa Road, Baltimore, MD 21286, call 1-800-4-DEWALT (1-800-433-9258) or visit our website: www.dewalt.com.

Repairs

The charger and battery pack are not serviceable.

To assure product SAFETY and RELIABILITY, repairs, maintenance and adjustment (including brush inspection and replacement) should be performed by a DEWALT factory service center, a DEWALT authorized service center or other qualified service personnel. Always use identical replacement parts.

Register Online

Thank you for your purchase. Register your product now for:

- **WARRANTY SERVICE:** Registering your product will help you obtain more efficient warranty service in case there is a problem with your product.

- **CONFIRMATION OF OWNERSHIP:** In case of an insurance loss, such as fire, flood or theft, your registration of ownership will serve as your proof of purchase.
- **FOR YOUR SAFETY:** Registering your product will allow us to contact you in the unlikely event a safety notification is required under the Federal Consumer Safety Act.

Register online at www.dewalt.com/register.

Three Year Limited Warranty

DEWALT will repair, without charge, any defects due to faulty materials or workmanship for three years from the date of purchase. This warranty does not cover part failure due to normal wear or tool abuse. For further detail of warranty coverage and warranty repair information, visit www.dewalt.com or call 1-800-4-DEWALT (1-800-433-9258). This warranty does not apply to accessories or damage caused where repairs have been made or attempted by others. This warranty gives you specific legal rights and you may have other rights which vary in certain states or provinces.

In addition to the warranty, DEWALT tools are covered by our:

1 YEAR FREE SERVICE

DEWALT will maintain the tool and replace worn parts caused by normal use, for free, any time during the first year after purchase.

2 YEARS FREE SERVICE ON DEWALT BATTERY PACKS

DC9071, DC9091, DC9096, DC9182, DC9280, DC9360, DC9180, DCB120, DCB127, DCB201, DCB203 and DCB207

3 YEARS FREE SERVICE ON DEWALT BATTERY PACKS

DCB200, DCB204, DCB205

DEWALT BATTERY PACKS

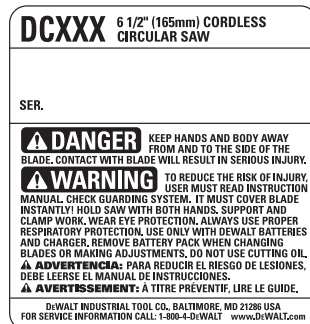
Product warranty voided if the battery pack is tampered with in any way. DEWALT is not responsible for any injury caused by tampering and may prosecute warranty fraud to the fullest extent permitted by law.

90 DAY MONEY BACK GUARANTEE

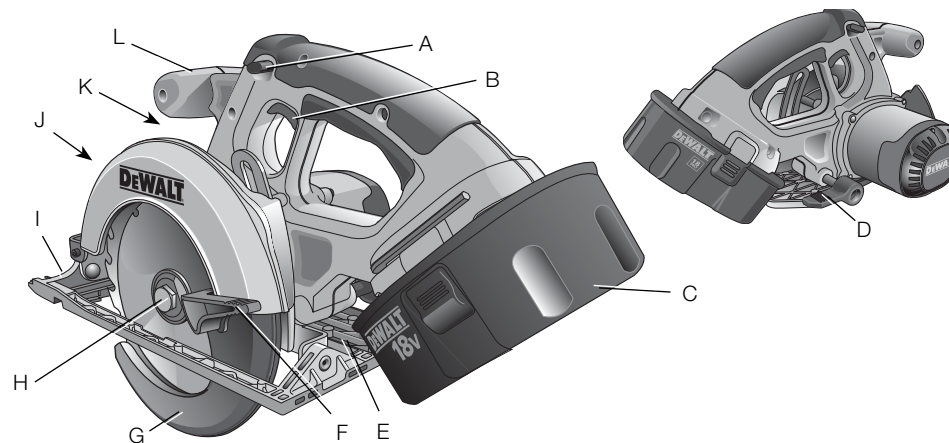
If you are not completely satisfied with the performance of your DEWALT Power Tool, Laser, or Nailer for any reason, you can return it within 90 days from the date of purchase with a receipt for a full refund – no questions asked.

LATIN AMERICA: This warranty does not apply to products sold in Latin America. For products sold in Latin America, see country specific warranty information contained in the packaging, call the local company or see website for warranty information.

FREE WARNING LABEL REPLACEMENT: If your warning labels become illegible or are missing, call 1-800-4-DEWALT (1-800-433-9258) for a free replacement.



Scie circulaire sans fil de 18,0 volts et 3 700 tr/min, modèle DC390



- A. BOUTON DE VERROUILLAGE EN POSITION D'ARRÊT DE L'INTERRUPTEUR
- B. INTERRUPTEUR À GÂCHETTE
- C. BLOC-PILES
- D. BOUTON DE RÉGLAGE DE LA PROFONDEUR
- E. PATIN
- F. LEVIER D'ESCAMOTAGE DU PROTÈGE-LAME INFÉRIEUR

- G. PROTÈGE-LAME INFÉRIEUR
- H. VIS DE FIXATION DE LA LAME
- I. INDICATEUR DE TRAIT DE SCIE
- J. BOUTON DE RÉGLAGE D'ANGLE DE BISEAU (non illustré)
- K. BOUTON DE VERROUILLAGE DE LA LAME (non illustré)
- L. POIGNÉE AUXILIAIRE

Définitions : lignes directrices en matière de sécurité

Les définitions ci-dessous décrivent le niveau de danger pour chaque mot-indicateur employé. Lire le mode d'emploi et porter une attention particulière à ces symboles.

▲ DANGER : indique une situation dangereuse imminente qui, si elle n'est pas évitée, **entraînera la mort ou des blessures graves**.

▲ AVERTISSEMENT : indique une situation potentiellement dangereuse qui, si elle n'est pas évitée, **pourrait entraîner la mort ou des blessures graves**.

▲ ATTENTION : indique une situation potentiellement dangereuse qui, si elle n'est pas évitée, **pourrait entraîner des blessures légères ou modérées**.

AVIS : indique une pratique ne posant **aucun risque de dommages corporels** mais qui par contre, si rien n'est fait pour l'éviter, **pourrait poser des risques de dommages matériels**.

POUR TOUTE QUESTION OU REMARQUE AU SUJET DE CET OUTIL OU DE TOUT AUTRE OUTIL DEWALT, COMPOSEZ LE NUMÉRO SANS FRAIS : **1-800-4-DEWALT (1-800-433-9258)**.



AVERTISSEMENT : afin de réduire le risque de blessures, lire le mode d'emploi de l'outil.

Avertissements de sécurité généraux pour les outils électriques



AVERTISSEMENT! lire tous les avertissements de sécurité et toutes les directives. Le non-respect des avertissements et des directives pourrait se solder par un choc électrique, un incendie et/ou une blessure grave.

CONSERVER TOUS LES AVERTISSEMENTS ET TOUTES LES DIRECTIVES POUR UN USAGE ULTÉRIEUR

Le terme « outil électrique » cité dans les avertissements se rapporte à votre outil électrique à alimentation sur secteur (avec fil) ou par piles (sans fil).

1) SÉCURITÉ DU LIEU DE TRAVAIL

- a) **Tenir l'aire de travail propre et bien éclairée.** Les lieux encombrés ou sombres sont propices aux accidents.
- b) **Ne pas faire fonctionner d'outils électriques dans un milieu déflagrant, tel qu'en présence de liquides, de gaz ou de poussières inflammables.** Les outils électriques produisent des étincelles qui pourraient enflammer la poussière ou les vapeurs.
- c) **Éloigner les enfants et les personnes à proximité pendant l'utilisation d'un outil électrique.** Une distraction pourrait en faire perdre la maîtrise à l'utilisateur.

2) SÉCURITÉ EN MATIÈRE D'ÉLECTRICITÉ

- a) **Les fiches des outils électriques doivent correspondre à la prise. Ne jamais modifier la fiche d'aucune façon. Ne jamais utiliser de fiche d'adaptation avec un outil électrique mis à la terre.** Le risque de choc électrique sera réduit par l'utilisation de fiches non modifiées correspondant à la prise.

- b) **Éviter tout contact physique avec des surfaces mises à la terre comme des tuyaux, des radiateurs, des cuisinières et des réfrigérateurs.** Le risque de choc électrique est plus élevé si votre corps est mis à la terre.
- c) **Ne pas exposer les outils électriques à la pluie ou à l'humidité.** La pénétration de l'eau dans un outil électrique augmente le risque de choc électrique.
- d) **Ne pas utiliser le cordon de façon abusive. Ne jamais utiliser le cordon pour transporter, tirer ou débrancher un outil électrique. Tenir le cordon éloigné de la chaleur, de l'huile, des bords tranchants et des pièces mobiles.** Les cordons endommagés ou enchevêtrés augmentent les risques de choc électrique.
- e) **Pour l'utilisation d'un outil électrique à l'extérieur, se servir d'une rallonge convenant à cette application.** L'utilisation d'une rallonge conçue pour l'extérieur réduira les risques de choc électrique.
- f) **S'il est impossible d'éviter l'utilisation d'un outil électrique dans un endroit humide, brancher l'outil dans une prise ou sur un circuit d'alimentation dotés d'un disjoncteur de fuite à la terre (GFCI).** L'utilisation de ce type de disjoncteur réduit les risques de choc électrique.
- 3) SÉCURITÉ PERSONNELLE**
- a) **Être vigilant, surveiller le travail effectué et faire preuve de jugement lorsqu'un outil électrique est utilisé. Ne pas utiliser d'outil électrique en cas de fatigue ou sous l'influence de drogues, d'alcool ou de médicaments.** Un simple moment d'inattention en utilisant un outil électrique peut entraîner des blessures corporelles graves.
- b) **Utiliser des équipements de protection individuelle. Toujours porter une protection oculaire.** L'utilisation d'équipements de protection comme un masque antipoussière, des chaussures antidérapantes, un casque de sécurité ou des protecteurs auditifs lorsque la situation le requiert réduira les risques de blessures corporelles.
- c) **Empêcher les démarrages intempestifs. S'assurer que l'interrupteur se trouve à la position d'arrêt avant de relier l'outil à une source d'alimentation et/ou d'insérer un bloc-piles, de ramasser ou de transporter l'outil.** Transporter un outil électrique alors que le doigt repose sur l'interrupteur ou brancher un outil électrique dont l'interrupteur est à la position de marche risque de provoquer un accident.
- d) **Retirer toute clé de réglage ou clé avant de démarrer l'outil.** Une clé ou une clé de réglage attachée à une partie pivotante de l'outil électrique peut provoquer des blessures corporelles.
- e) **Ne pas trop tendre les bras. Conserver son équilibre en tout temps.** Cela permet de mieux maîtriser l'outil électrique dans les situations imprévues.
- f) **S'habiller de manière appropriée. Ne pas porter de vêtements amples ni de bijoux. Garder les cheveux, les vêtements et les gants à l'écart des pièces mobiles.** Les vêtements amples, les bijoux ou les cheveux longs risquent de rester coincés dans les pièces mobiles.
- g) **Si des composants sont fournis pour le raccordement de dispositifs de dépoussiérage et de ramassage, s'assurer que ceux-ci sont bien raccordés et utilisés.** L'utilisation d'un dispositif de dépoussiérage peut réduire les dangers engendrés par les poussières.
- 4) UTILISATION ET ENTRETIEN D'UN OUTIL ÉLECTRIQUE**
- a) **Ne pas forcer un outil électrique. Utiliser l'outil électrique approprié à l'application.** L'outil électrique approprié effectuera un meilleur travail, de façon plus sûre et à la vitesse pour laquelle il a été conçu.

- b) **Ne pas utiliser un outil électrique dont l'interrupteur est défectueux.** Tout outil électrique dont l'interrupteur est défectueux est dangereux et doit être réparé.
- c) **Débrancher la fiche de la source d'alimentation et/ou du bloc-piles de l'outil électrique avant de faire tout réglage ou changement d'accessoire ou avant de ranger l'outil.** Ces mesures préventives réduisent les risques de démarrage accidentel de l'outil électrique.
- d) **Ranger les outils électriques hors de la portée des enfants et ne permettre à aucune personne n'étant pas familière avec un outil électrique ou son mode d'emploi d'utiliser cet outil.** Les outils électriques deviennent dangereux entre les mains d'utilisateurs inexpérimentés.
- e) **Entretien des outils électriques. Vérifier si les pièces mobiles sont mal alignées ou coincées, si des pièces sont brisées ou présentent toute autre condition susceptible de nuire au bon fonctionnement de l'outil électrique. En cas de dommage, faire réparer l'outil électrique avant toute nouvelle utilisation.** Beaucoup d'accidents sont causés par des outils électriques mal entretenus.
- f) **S'assurer que les outils de coupe sont aiguisés et propres.** Les outils de coupe bien entretenus et affûtés sont moins susceptibles de se coincer et sont plus faciles à maîtriser.
- g) **Utiliser l'outil électrique, les accessoires, les forets, etc. conformément aux présentes directives en tenant compte des conditions de travail et du travail à effectuer.** L'utilisation d'un outil électrique pour toute opération autre que celle pour laquelle il a été conçu est dangereuse.
- 5) UTILISATION ET ENTRETIEN DU BLOC-PILES**
- a) **Ne recharger l'outil qu'au moyen du chargeur précisé par le fabricant.** L'utilisation d'un chargeur qui convient à un type

de bloc-piles risque de provoquer un incendie s'il est utilisé avec un autre type de bloc-piles.

- b) **Utiliser les outils électriques uniquement avec les blocs-piles conçus à cet effet.** L'utilisation de tout autre bloc-piles risque de causer des blessures ou un incendie.
- c) **Lorsque le bloc-piles n'est pas utilisé, le tenir éloigné des objets métalliques, notamment des trombones, de la monnaie, des clés, des clous, des vis ou autres petits objets métalliques qui peuvent établir une connexion entre les deux bornes.** Le court-circuit des bornes du bloc-piles risque de provoquer des brûlures ou un incendie.
- d) **En cas d'utilisation abusive, le liquide peut gicler hors du bloc-piles; éviter tout contact avec ce liquide. Si un contact accidentel se produit, laver à grande eau. Si le liquide entre en contact avec les yeux, obtenir également des soins médicaux.** Le liquide qui giclé hors du bloc-piles peut provoquer des irritations ou des brûlures.
- 6) RÉPARATION**
- a) **Faire réparer l'outil électrique par un réparateur professionnel en n'utilisant que des pièces de rechange identiques.** Cela permettra de maintenir une utilisation sécuritaire de l'outil électrique.

Règles de sécurité additionnelles concernant les scies circulaires

⚠ DANGER:

- a) **Gardez les mains à distance de la zone de coupe et de la lame. Gardez une de vos mains sur la poignée auxiliaire ou sur le carter du moteur.** Si vous tenez la scie de vos deux mains, elles ne peuvent pas être coupées par la lame.

- b) **N'essayez pas de tenir le dessous de l'ouvrage.** Le protège-lame ne peut pas vous protéger de la lame en dessous de l'ouvrage.
- c) **Ajustez la profondeur de coupe à l'épaisseur de l'ouvrage.** Moins d'une dent entière de lame devrait être visible en dessous de l'ouvrage.
- d) **Ne tenez jamais dans vos mains ou sur vos genoux un ouvrage qui est en cours de coupe. Fixez votre ouvrage sur une plateforme stable.** Il est important de soutenir correctement l'ouvrage afin de minimiser l'exposition du corps à la lame, le risque de coincement de la lame ou la perte de contrôle de l'outil.
- e) **Tenez l'outil électrique par ses surfaces de préhension isolantes quand vous réalisez une opération au cours de laquelle l'outil de coupe pourrait entrer en contact avec des câbles dissimulés ou avec son propre cordon électrique.** Le contact avec un fil sous tension mettra également sous tension toutes les pièces métalliques exposées et donnera un choc électrique à l'utilisateur de l'outil.
- f) **Pendant les coupes de refente, utilisez toujours un guide de refente ou un guide à bord droit.** Ceci augmente toujours l'exactitude de la coupe et diminue la possibilité de coincement de la lame.
- g) **Utilisez toujours des lames dont l'alésage central est de la taille et de la forme appropriées (soit en forme de diamant, soit en forme de rond).** Les lames qui ne correspondent pas aux pièces de montage de la scie tourneront de façon excentrique, ce qui causera une perte de contrôle de l'outil.
- h) **Ne vous servez jamais de rondelles ou de boulons de lames qui sont endommagés ou inappropriés.** Les rondelles et le boulon de lame ont été conçus spécifiquement pour votre scie dans le but d'assurer une performance optimale et un fonctionnement sans danger.

CAUSES DES REBONDS ET MÉTHODES DE PRÉVENTION POUVANT ÊTRE UTILISÉES PAR L'UTILISATEUR :

- Le rebond est une réaction subite (causée par une lame de scie pincée, coincée ou mal alignée) qui peut entraîner le soulèvement d'une scie non contrôlée, sa sortie de l'ouvrage et sa projection en direction de l'utilisateur.
- Si la lame est pincée ou coincée fortement pendant l'abaissement de la scie, la lame se cale et le moteur réagit en entraînant rapidement l'outil vers l'arrière dans la direction de l'opérateur.
- Si la lame se tord ou perd son alignement correct au cours de la coupe, les dents sur le bord arrière de la lame peuvent entamer la surface supérieure du bois, forçant ainsi la lame à sortir du trait de scie et à « sauter » vers l'arrière en direction de l'opérateur.

Le rebond est la conséquence d'une mauvaise utilisation de la scie et/ou de procédures ou de conditions incorrectes, et il peut être évité en prenant les précautions qui sont décrites ci-dessous :

- a) **Maintenez fermement la scie avec vos deux mains et positionnez vos bras de façon à résister aux forces de rebond.** Les forces de rebond peuvent être contrôlées par l'utilisateur quand les précautions appropriées sont prises.
- b) **En cas de coincement de la lame ou d'interruption d'une coupe pour une raison quelconque, relâchez la gâchette et tenez la scie immobile dans l'ouvrage jusqu'à ce que la lame se soit immobilisée complètement. Ne tentez jamais de retirer la scie de l'ouvrage ou de la tirer vers l'arrière pendant que la lame est en mouvement, car un rebond risquerait de se produire.** Évaluez la situation et prenez les mesures correctives nécessaires pour éliminer la cause du coincement de la lame.
- c) **Lorsque vous remettez une scie en marche quand l'ouvrage est présent, centrez la lame de scie dans le trait de scie et vérifiez que les dents de la lame ne sont pas engagées dans le matériau de l'ouvrage.** Si la lame de scie

se coince, elle peut grimper hors de l'ouvrage ou rebondir sur celui-ci quand la scie est remise en marche.

- d) **Soutenez les panneaux de grande taille de façon à minimiser le risque de pincement et de rebond de la lame.** Les panneaux de grande taille ont tendance à s'affaisser sous leur propre poids. Des supports doivent être placés des deux côtés sous le panneau, à proximité de la ligne de coupe et à proximité du rebord du panneau.
- e) **N'utilisez pas de lame émoussée ou endommagée.** Des lames non aiguisées ou mal installées produisent un trait de scie étroit qui cause une friction excessive, le coincement de la lame et un effet de rebond.
- f) **Les leviers de réglage de la profondeur et de l'angle de coupe de la lame doivent être bien serrés et assujettis avant de réaliser une coupe.** Une modification du réglage de la lame pendant la coupe risque d'entraîner un coincement et un rebondissement de la lame.
- g) **Prendre des précautions supplémentaires lors de coupes dans des murs existants ou dans toute zone à visibilité réduite.** La lame saillante peut couper des objets, et ceci peut entraîner un rebond.

CONSIGNES DE SÉCURITÉ RELATIVES AU PROTÈGE-LAME INFÉRIEUR

- a) **Inspectez le protège-lame inférieur avant chaque utilisation pour vous assurer qu'il se ferme correctement.** Ne faites pas fonctionner la scie si le protège-lame inférieur ne se déplace pas librement et ne se ferme pas instantanément. Ne forcez jamais le protège-lame inférieur dans la position ouverte à l'aide d'un collier de serrage ou d'une attache. Il est possible que le protège-lame inférieur se torde en cas de chute accidentelle de la scie. Soulevez le protège-lame inférieur à l'aide de la poignée rétractable et assurez-vous qu'il se déplace sans problème et qu'il ne touche pas la lame ou une autre pièce, quel que soit l'angle ou la profondeur de la coupe.

- b) **Vérifiez le fonctionnement du ressort du protège-lame inférieur. Si le protège-lame inférieur et le ressort ne fonctionnent pas correctement, ils doivent être réparés avant l'emploi.** Le protège-lame inférieur peut parfois mal fonctionner à cause de pièces endommagées, d'accumulation de résine ou de débris.
- c) **Le protège-lame inférieur doit être rétracté à la main uniquement à l'occasion de coupes spéciales telles que les « coupes en plongée » ou les « coupes composées ».** Soulevez le protège-lame inférieur à l'aide la poignée rétractable et relâchez-le dès que la lame pénètre dans le matériau de l'ouvrage. Pour toute autre opération de sciage, le protège-lame inférieur doit fonctionner automatiquement.
- d) **Vérifiez toujours que le protège-lame inférieur couvre la lame avant de placer la scie sur un banc ou sur le sol.** Une lame non protégée qui tourne librement entraînera le mouvement de la scie en marche arrière, ce qui provoquera la coupe de tout ce qui se trouve sur sa trajectoire. Soyez conscient du temps nécessaire à la lame pour s'arrêter une fois que la gâchette est relâchée.

Règles de sécurité supplémentaires

- **Utilisez des serres de fixation ou un autre dispositif de fixation permettant de soutenir et de retenir la pièce sur une plate-forme stable.** Tenir la pièce avec la main ou contre son corps n'est pas suffisamment stable et risque de provoquer une perte de maîtrise de l'outil.
- **Se placer à gauche ou à droite de la lame de scie et non dans sa trajectoire.** L'EFFET DE REBOND risque de faire rebondir la scie vers l'arrière (consulter les rubriques « Causes de l'effet de rebond et prévention par l'opérateur » et « EFFET DE REBOND »).
- La lame continue de tourner après l'arrêt de la scie. Une telle pratique peut entraîner des blessures corporelles graves.

- **Éviter de couper des clous. Examiner la pièce à découper pour s'assurer qu'elle ne renferme aucun clou avant les travaux. Le cas échéant, les retirer.**
- **Prendre des précautions à proximité des événements, car ils cachent des pièces mobiles.** Vêtements amples, bijoux ou cheveux longs risquent de rester coincés dans ces pièces mobiles.

⚠ AVERTISSEMENT : porter **SYSTEMATIQUÉMENT** des lunettes de protection. Les lunettes courantes NE sont PAS des lunettes de protection. Utiliser aussi un masque antipoussières si la découpe doit en produire beaucoup. **PORTER SYSTEMATIQUÉMENT UN ÉQUIPEMENT DE SÉCURITÉ HOMOLOGUÉ :**

- Protection oculaire ANSI Z87.1 (CAN/CSA Z94.3) ;
- Protection auditive ANSI S12.6 (S3.19) ;
- Protection des voies respiratoires NIOSH/OSHA/MSHA.

⚠ AVERTISSEMENT : les scies, meules, ponceuses, perceuses ou autres outils de construction peuvent produire des poussières contenant des produits chimiques reconnus par l'État californien pour causer cancers, malformations congénitales ou être nocifs au système reproducteur. Parmi ces produits chimiques, on retrouve :

- Le plomb dans les peintures à base de plomb ;
- La silice cristallisée dans les briques et le ciment, ou autres produits de maçonnerie ; et
- L'arsenic et le chrome dans le bois ayant subi un traitement chimique.

Le risque associé à de telles expositions varie selon la fréquence à laquelle on effectue ces travaux. Pour réduire toute exposition à ces produits : travailler dans un endroit bien aéré, en utilisant du matériel de sécurité homologué, tel un masque antipoussières spécialement conçu pour filtrer les particules microscopiques.

- **Limiter toute exposition prolongée avec les poussières provenant du ponçage, sciage, meulage, perçage ou toute**

autre activité de construction. Porter des vêtements de protection et nettoyer à l'eau savonneuse les parties du corps exposées. Le fait de laisser la poussière pénétrer dans la bouche, les yeux ou la peau peut favoriser l'absorption de produits chimiques dangereux.

⚠ AVERTISSEMENT : cet outil peut produire et/ou répandre de la poussière susceptible de causer des dommages sérieux et permanents au système respiratoire. Utiliser systématiquement un appareil de protection des voies respiratoires homologué par le NIOSH ou l'OSHA. Diriger les particules dans le sens opposé au visage et au corps.

⚠ AVERTISSEMENT : pendant l'utilisation, porter systématiquement une protection auditive individuelle adéquate homologuée ANSI S12.6 (S3.19). Sous certaines conditions et suivant la durée d'utilisation, le bruit émanant de ce produit pourrait contribuer à une perte de l'acuité auditive.

⚠ ATTENTION : après utilisation, ranger l'outil sur son côté, sur une surface stable, là où il ne pourra ni faire trébucher ni faire chuter quelqu'un. Certains outils équipés d'un large bloc-piles peuvent tenir à la verticale sur celui-ci, mais manquent alors de stabilité.

- L'étiquette apposée sur votre outil peut inclure les symboles suivants. Les symboles et leur définition sont indiqués ci-après :

V..... volts	A..... ampères
Hz..... hertz	W..... watts
min minutes	~ ou AC..... courant alternatif
==== ou DC... courant continu	
⚠..... classe I fabrication (mis à la terre)	⚡ ou AC/DC... courant alternatif ou continu

□.....	fabrication	n ₀	vitesse à vide
	classe II	n.....	vitesse
	(double isolation)		nominale
.../min.....	par minute	⊕.....	borne de terre
IPM.....	impacts par	⚠.....	symbole
	minute		d'avertissement
BPM.....	battements par	r/min.....	tours par
	minute		minute
sfpm.....	pieds linéaires	SPM (FPM).....	fréquence par
	par minute (plpm)		minute

Consignes de sécurité importantes propres à tous les blocs-piles

Pour commander un bloc-piles de recharge, s'assurer d'inclure son numéro de catalogue et sa tension. Consulter le tableau figurant à la fin du présent mode d'emploi pour connaître la compatibilité des chargeurs et des blocs-piles.

Le bloc-piles n'est pas totalement chargé d'usine. Avant d'utiliser le bloc-piles et le chargeur, lire les consignes de sécurité ci-dessous. Puis suivre la procédure de charge indiquée.

LIRE TOUTES LES CONSIGNES

- **Ne pas recharger ou utiliser un bloc-piles en milieu déflagrant, en présence, par exemple, de poussières, gaz ou liquides inflammables.** Le fait d'insérer ou retirer un bloc-piles de son chargeur pourrait causer l'inflammation de poussières ou d'émanations.
- **NE JAMAIS forcer l'insertion d'un bloc-piles dans un chargeur. NE modifier un bloc-piles d'AUCUNE façon pour le faire rentrer dans un chargeur incompatible, car il**

pourrait se briser et causer des dommages corporels graves. Consulter le tableau en dernière page de ce manuel pour connaître les compatibilités entre chargeurs et blocs-piles.

- Recharger les blocs-piles exclusivement dans des chargeurs DEWALT.
- **NE PAS** éclabousser le bloc-piles ou l'immerger dans l'eau ou dans tout autre liquide.
- **Ne pas entreposer ou utiliser l'appareil et le bloc-piles en présence de températures ambiantes pouvant excéder 40 °C (105 °F) (comme dans des hangars ou des bâtiments métalliques l'été).**

⚠DANGER : risque d'électrocution. Ne jamais ouvrir le bloc-piles pour quelque raison que ce soit. Si le boîtier du bloc-piles est fissuré ou endommagé, ne pas l'insérer dans un chargeur. Ne pas écraser, faire tomber ou endommager le bloc-piles. Ne pas utiliser un bloc-piles ou un chargeur qui a reçu un choc violent, qui est tombé, a été écrasé ou est endommagé de quelque manière que ce soit (p. ex. percé par un clou, frappé d'un coup de marteau, piétiné). En effet, il y a risque de choc électrique ou d'électrocution. Les blocs-piles endommagés doivent être envoyés au centre de réparation pour être recyclés.

REMARQUE : un boîtier spécial et des capuchons de sécurité sont fournis avec le bloc-piles pour utilisation chaque fois qu'on le retire de l'outil ou du chargeur pour le ranger ou le transporter. Enlever le capuchon avant de remettre le bloc-piles dans le chargeur ou l'outil.



⚠AVERTISSEMENT : risque d'incendie. **Ne pas ranger ni ne transporter les piles de manière à ce que des objets métalliques puissent entrer en contact avec les bornes exposées des piles.** On ne doit pas mettre, par exemple, le bloc-piles sans capuchon dans un tablier, une poche, une boîte à outils, une boîte de nécessaire de produit, un tiroir, etc. avec des clous, des vis, des

clés, etc. **Le transport des piles peut causer un incendie si les bornes des piles entrent en contact involontairement avec des matières conductrices comme des clés, de la monnaie, des outils manuels et d'autres éléments semblables.** La Hazardous Material Regulations (réglementation sur les produits dangereux) du département américain des transports interdit en fait le transport des blocs-piles pour le commerce et dans les avions (c.-à-d. dans des valises et les bagages à main) À MOINS qu'ils ne soient bien protégés contre les courts-circuits. Pour le transport de piles individuelles, on doit donc s'assurer que les bornes sont protégées et bien isolées contre toute matière pouvant entrer en contact avec elles et provoquer un court-circuit.

DIRECTIVES DE SÉCURITÉ SPÉCIFIQUES AUX PILES DE NICKEL-CADMIUM (NICD) OU À L'HYDRURE MÉTALLIQUE DE NICKEL (NIMH)

- **Ne pas incinérer le bloc-piles, même s'il est très endommagé ou complètement usé, car il pourrait exploser au contact de flammes.**
- **Une petite fuite de liquide peut se produire dans les cellules du bloc-piles en cas d'utilisation extrême ou de conditions de température.** Cela n'indique pas de défaillance. Toutefois, si le joint d'étanchéité extérieur est rompu :
 - a. et que le liquide entre en contact avec la peau, laver rapidement la zone touchée au savon et à l'eau pendant plusieurs minutes.
 - b. si le liquide du bloc-piles entre en contact avec les yeux, les rincer abondamment à l'eau propre, pendant un minimum de 10 minutes, et consulter immédiatement un médecin. (**Note médicale** : le liquide est composé d'une solution comprenant de 25 % à 35 % d'hydroxyde de potassium).

DIRECTIVES DE SÉCURITÉ SPÉCIFIQUES POUR LES PILES AU LITHIUM-ION (Li-Ion)

- **Ne pas incinérer le bloc-piles même s'il est sévèrement endommagé ou complètement usagé, car il pourrait exploser et causer un incendie.** Pendant l'incinération des blocs-piles au lithium-ion, des vapeurs et matières toxiques sont dégagées.
- **En cas de contact du liquide de la pile avec la peau, rincer immédiatement au savon doux et à l'eau.** En cas de contact oculaire, rincer l'œil ouvert à l'eau claire une quinzaine de minutes ou jusqu'à ce que l'irritation cesse. Si des soins médicaux s'avéraient nécessaires, noter que l'électrolyte de la pile est composé d'un mélange de carbonates organiques liquides et de sels de lithium.
- **Le contenu des cellules d'une pile ouverte peut causer une irritation respiratoire.** En cas d'inhalation, exposer l'individu à l'air libre. Si les symptômes persistent, consulter un médecin.

AVERTISSEMENT : risques de brûlure. Le liquide de la pile peut s'enflammer s'il est exposé à des étincelles ou à une flamme.

Le sceau SRPRC^{MC}

Le sceau SRPRC^{MC} (Société de recyclage des piles rechargeables au Canada) apposé sur une pile au nickel-cadmium, à hydrure métallique de nickel ou au lithium-ion (ou un bloc-piles) indique que les coûts de recyclage de ces derniers en fin d'utilisation ont déjà été réglés par DEWALT. Dans certaines régions, la mise au rebut ou aux ordures municipales des piles au nickel-cadmium, à l'hydrure métallique de nickel ou au lithium-ion, est illégale ; le programme de SRPRC constitue donc une solution pratique et écologique.

La SRPRC^{MC}, en collaboration avec DEWALT et d'autres utilisateurs de piles, a mis sur pied des programmes aux États-Unis et au Canada pour faciliter la collecte des piles au nickel-cadmium, à l'hydrure métallique de nickel ou au lithium-ion usagées. Aidez-nous à protéger



l'environnement et à conserver nos ressources naturelles en renvoyant les piles au nickel-cadmium, à l'hydrure métallique de nickel ou au lithium-ion usagées à un centre de réparation autorisé DEWALT ou chez votre détaillant afin qu'elles y soient recyclées. On peut en outre se renseigner auprès d'un centre de recyclage local pour connaître d'autres sites les acceptant.

SRPRC^{MC} est une marque déposée de la Société de recyclage des piles rechargeables au Canada.

Directives de sécurité importantes propres à tous les chargeurs de piles

CONSERVER CES INSTRUCTIONS : ce manuel contient des directives de sécurité et d'utilisation importantes propres aux chargeurs de piles.

- Avant d'utiliser le chargeur, lire toute consigne et tout avertissement apposés sur le chargeur, le bloc-piles et le produit utilisant le bloc-piles.

⚠ DANGER : risque d'électrocution. Les bornes de charge présentent une tension de 120 volts. Ne pas sonder les bornes avec des objets conducteurs. En effet, il y a risque de choc électrique ou d'électrocution.

⚠ AVERTISSEMENT : risques de chocs électriques. Ne laisser aucun liquide pénétrer dans le chargeur, des chocs électriques pourraient en résulter.

⚠ ATTENTION : risques de brûlure. Pour réduire tout risque de dommages corporels, ne recharger que des piles rechargeables DEWALT. Tout autre type de piles pourrait exploser et causer des dommages corporels et matériels.

AVIS : sous certaines conditions, lorsque les contacts de chargement exposés à l'intérieur du le chargeur est connecté au bloc d'alimentation, des matériaux étrangers pourraient court-circuiter le chargeur. Les corps étrangers conducteurs tels que (mais pas limité à) poussières de

rectification, débris métalliques, laine d'acier, feuilles d'aluminium, ou toute accumulation de particules métalliques doivent être maintenus à distance des orifices du chargeur. Débrancher systématiquement le chargeur lorsque le bloc-piles n'y est pas inséré. Débrancher systématiquement le chargeur avant tout entretien.

- **NE PAS tenter de charger de bloc-piles avec des chargeurs autres que ceux décrits dans ce manuel.** Le chargeur et son bloc-piles ont été conçus tout spécialement pour fonctionner ensemble.
- **Ces chargeurs n'ont pas été conçus pour une utilisation autre que recharger les blocs-piles rechargeables DEWALT.** Toute autre utilisation comporte des risques d'incendie, de chocs électriques ou d'électrocution.
- **Protéger le chargeur de la pluie ou de la neige.**
- **Tirer sur la fiche plutôt que sur le cordon pour débrancher le chargeur.** Cela permet de réduire les risques d'endommager la fiche ou le cordon d'alimentation.
- **S'assurer que le cordon est protégé de manière à ce que personne ne marche ni ne trébuche dessus, ou à ce qu'il ne soit ni endommagé ni soumis à aucune tension.**
- **N'utiliser une rallonge qu'en cas de nécessité absolue.** L'utilisation d'une rallonge inadéquate comporte des risques d'incendie, de chocs électriques ou d'électrocution.
- **Lors de l'utilisation d'un outil électrique à l'extérieur, utiliser une rallonge conçue à cet effet.** L'utilisation d'une rallonge conçue pour l'extérieur réduit les risques de chocs électriques.
- **Pour la sécurité de l'utilisateur, utiliser une rallonge de calibre adéquat (AWG, American Wire Gauge [calibrage américain normalisé des fils électriques]).** Plus le calibre est petit, et plus sa capacité est grande. Un calibre 16, par exemple, a une capacité supérieure à un calibre 18. L'usage d'une rallonge

de calibre insuffisant causera une chute de tension qui entraînera perte de puissance et surchauffe. Si plus d'une rallonge est utilisée pour obtenir une certaine longueur, s'assurer que chaque rallonge présente au moins le calibre de fil minimum. Le tableau ci-dessous illustre les calibres à utiliser selon la longueur de rallonge et l'intensité nominale indiquée sur la plaque signalétique. En cas de doute, utiliser le calibre suivant. Plus le calibre est petit, plus la rallonge peut supporter de courant.

Calibres minimaux des rallonges							
Intensité (en ampères)		volts	Longueur totale de cordon en mètres (pieds)				
		120 V	7,6 (25)	15,2 (50)	30,5 (100)	45,7 (150)	
		240 V	15,2 (50)	30,5 (100)	61,0 (200)	91,4 (300)	
Supérieur à	Inférieur à	AWG					
0	6	18	16	16	14		
6	10	18	16	14	12		
10	12	16	16	14	12		
12	16	14	12	Non recommandé			

- **Ne poser aucun objet sur le chargeur. Ne pas mettre le chargeur sur une surface molle qui pourrait en bloquer la ventilation et provoquer une surchauffe interne.** Eloigner le chargeur de toute source de chaleur. Le chargeur dispose d'orifices d'aération sur le dessus et le dessous du boîtier.
- **Ne pas le faire fonctionner avec un cordon d'alimentation ou une fiche endommagée.**
- **Ne pas utiliser le chargeur s'il a reçu un coup, fait une chute ou a été endommagé de quelque façon que ce soit.** Le ramener dans un centre de réparation agréé.

- **Ne pas démonter le chargeur. Pour tout service ou réparation, le rapporter dans un centre de réparation agréé.** Le fait de le réassembler de façon incorrecte comporte des risques de chocs électriques, d'électrocution et d'incendie.
- **Débrancher le chargeur du secteur avant tout entretien. Cela réduira tout risque de chocs électriques.** Le fait de retirer le bloc-piles ne réduira pas ces risques.
- **NE JAMAIS tenter de connecter deux chargeurs ensemble.**
- **Le chargeur a été conçu pour être alimenté en courant électrique domestique standard de 120 volts. Ne pas tenter de l'utiliser avec toute autre tension.** Cela ne s'applique pas aux chargeurs de postes mobiles.

Utilisation du mode Tune-up™ automatique

Le mode de Tune-Up™ automatique égalise ou équilibre chaque cellule du bloc-piles pour lui permettre de fonctionner à son rendement optimum. Les blocs-piles doivent être réglés chaque semaine ou après une dizaine de cycles de charges/décharges ou chaque fois que la durée de fonctionnement du bloc-piles diminue. Pour utiliser le Tune-Up™ automatique, mettre le bloc-piles dans le chargeur et l'y laisser pendant au moins 8 heures. Le chargeur passera par les modes suivants :

1. Le voyant rouge clignotera de façon continue indiquant que le cycle de chargement d'une heure a commencé.
2. Lorsque ce dernier est terminé, le voyant restera allumé sans clignoter. Cela indique que le bloc-piles est chargé à plein et peut être alors utilisé.
3. Si le bloc-piles est laissé dans le chargeur après la charge initiale de 1 heure, le chargeur entrera en mode automatique de mise au point. Ce mode dure jusqu'à 8 heures ou jusqu'à ce que les cellules du bloc-piles soient équilibrées. Le bloc-piles est prêt à être utilisé et peut être enlevé en tout temps durant le mode de mise au point.

refroidissement de celui-ci. Une fois le bloc-piles refroidi, le chargeur passe automatiquement au mode de charge du bloc-piles. Cette fonction assure une durée de vie maximale au bloc-piles. Le voyant rouge émet un clignotement long, puis court en mode de suspension de bloc-piles chaud.

PROBLÈME AVEC LE SECTEUR

Certains chargeurs présentent un voyant pour tout problème avec le secteur. Lorsque le chargeur est utilisé avec des blocs d'alimentation portatifs comme des génératrices ou des alternateurs, il pourrait temporairement s'arrêter de marcher, **auquel cas un voyant rouge émet deux clignotements rapides suivis d'une pause**. Cela indique que le bloc d'alimentation est hors tolérance.

BLOC-PILES LAISSÉ DANS LE CHARGEUR

Le chargeur et le bloc-piles peuvent être laissés branchés, le voyant rouge demeurant indéfiniment allumé. Le chargeur maintiendra le bloc-piles chargé à plein et en bon état.

REMARQUE : le bloc-piles perdra lentement sa charge une fois retiré du chargeur. Si le bloc-piles n'a pas été maintenu chargé (charge d'entretien), il peut falloir le recharger avant de l'utiliser. De plus, un bloc-piles peut perdre lentement sa charge s'il est laissé dans un chargeur qui n'est pas branché à une source de c.a. appropriée.

BLOCS-PILES FAIBLES : les chargeurs peuvent également détecter les blocs-piles faibles. Ces blocs-piles peuvent encore être utilisés, mais il faut s'attendre à un rendement moindre. Le chargeur indiquera lorsqu'il est temps de remplacer un bloc-pile.

Remarques importantes concernant le chargement

1. Pour augmenter la durée de vie du bloc-piles et optimiser son rendement, le recharger à une température ambiante de 18 °C à 24 °C (65 °F à 75 °F). NE PAS recharger le bloc-piles à une

température inférieure à + 4,5 °C (+ 40 °F) ou supérieure à + 40,5 °C (+ 105 °F). C'est important pour prévenir tout dommage sérieux au bloc-piles.

2. Le chargeur et son bloc-piles peuvent devenir chauds au toucher pendant la charge. C'est normal et ne représente en aucun cas une défaillance du produit. Pour faciliter le refroidissement du bloc-piles après utilisation, éviter de laisser le chargeur ou le bloc-piles dans un local où la température ambiante est élevée comme dans un hangar métallique ou une remorque non isolée.
3. Si le bloc-piles ne se recharge pas correctement :
 - a. Vérifier le bon fonctionnement de la prise en y branchant une lampe ou tout autre appareil électrique.
 - b. Vérifier que la prise n'est pas contrôlée par un interrupteur qui coupe le courant lorsqu'on éteint les lumières.
 - c. Déplacer le chargeur et le bloc-piles dans un local où la température ambiante se trouve entre environ 18 °C et 24 °C (65 °F et 75 °F).
 - d. Si le problème persiste, amener l'outil, le bloc-piles et son chargeur dans un centre de réparation local.
4. Recharger le bloc-piles lorsqu'il ne produit plus assez de puissance pour effectuer un travail qu'il faisait facilement auparavant. NE PAS CONTINUER à l'utiliser dans ces conditions. Suivre la procédure de charge. Si nécessaire, il est aussi possible de recharger un bloc-piles partiellement déchargé sans effet nuisible sur le bloc-piles.
5. Dans certaines circonstances, lorsque le chargeur est branché au bloc d'alimentation, les contacts de chargement exposés à l'intérieur du chargeur peuvent être court-circuités par des corps étrangers conducteurs tels que, mais sans s'y limiter, poussières de rectification, débris métalliques, laine d'acier, feuilles d'aluminium, ou toute accumulation de particules métalliques. Ils

doivent être maintenus à distance des ouvertures du chargeur. Débrancher systématiquement le chargeur lorsque le bloc-piles n'y est pas inséré. Débrancher systématiquement le chargeur avant tout entretien.

6. Ne pas congeler ou immerger le chargeur dans l'eau ou tout autre liquide.

⚠AVERTISSEMENT : risques de chocs électriques. Ne laisser aucun liquide pénétrer dans le chargeur, des chocs électriques pourraient en résulter.

⚠AVERTISSEMENT : risques de brûlure. Ne jamais tenter d'ouvrir le bloc-piles pour quelque raison que ce soit. Si le boîtier plastique du bloc-piles est brisé ou fissuré, le retourner dans un centre de réparation pour y être recyclé.

Recommandations de stockage

1. Le lieu idéal de rangement est un lieu frais et sec, à l'abri de toute lumière solaire directe et de toute température excessive.
2. Pour un stockage prolongé, il est recommandé d'entreposer le bloc-piles pleinement chargé dans un lieu frais et sec, hors du chargeur pour optimiser les résultats.

REMARQUE : les blocs-piles ne devraient pas être entreposés complètement déchargés. Il sera nécessaire de recharger le bloc-piles avant réutilisation.

CONSERVER CES CONSIGNES POUR UTILISATION ULTÉRIEURE

FONCTIONNEMENT

⚠AVERTISSEMENT : pour réduire le risque de blessures graves, éteindre l'outil et retirer le bloc-piles avant d'effectuer tout réglage et d'enlever ou d'installer tout accessoire. Un démarrage accidentel peut provoquer des blessures.

Installation et retrait du bloc-piles (Fig. 2, 3)

⚠ATTENTION : S'assurer que le bouton de verrouillage en position d'arrêt de l'interrupteur (A) s'engage afin d'éviter que ce dernier ne s'actionne avant de retirer ou d'installer la pile.

REMARQUE : pour des résultats optimums, s'assurer que le bloc-piles est complètement chargé.

Pour installer le bloc-piles dans la poignée de l'outil, alignez l'encoche sur la face interne de la poignée de l'outil avec le bloc-piles, et faites glisser le bloc-piles fermement dans la poignée jusqu'à ce qu'il s'y enclenche complètement, comme illustré en figure 2.

Pour retirer le bloc-piles de l'outil, poussez sur le bouton de dégagement (M) et tirez fermement le bloc-piles hors de la poignée de l'outil. Insérez-le dans son chargeur comme décrit dans la section appropriée de ce manuel.

FIG. 2

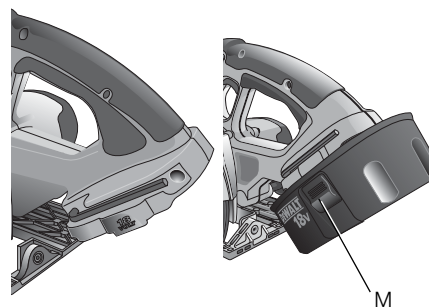
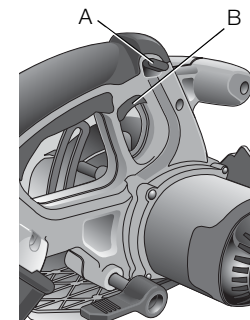


FIG. 3



Interrupteur (Fig. 3)

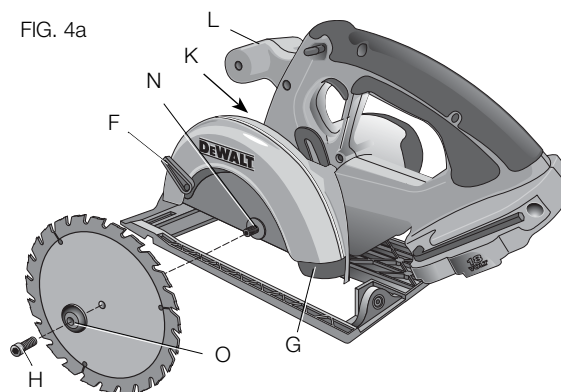
Relâcher le bouton de verrouillage en position d'arrêt (A) en l'enfonçant tel qu'illustré à la figure 3, puis tirer sur l'interrupteur à gâchette (B) pour mettre le moteur en marche; relâcher l'interrupteur à gâchette pour arrêter le moteur. On peut aussi actionner automatiquement le bouton de verrouillage en position d'arrêt en relâchant l'interrupteur.

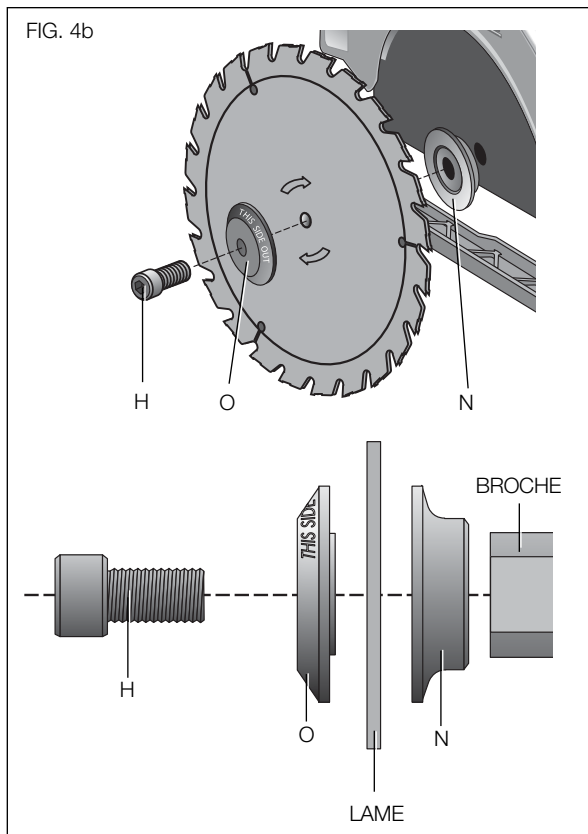
REMARQUE : *Cet outil n'a aucun mécanisme destiné à verrouiller l'interrupteur en position de marche; on ne doit jamais le verrouiller dans cette position par quelque moyen que ce soit.*

Remplacement des lames

INSTALLATION DE LA LAME (FIG. 4, 5)

1. Placer la rondelle de bride de serrage interne (N) sur la broche de scie (la large surface plane doit être orientée vers l'extérieur, face à la lame (fig. 4a, 4b).
2. Escamoter le protège-lame inférieur (G) et placer la lame sur la broche, contre la rondelle de bride de serrage interne, en s'assurant que la lame tourne dans le bon sens (le sens de la flèche de rotation située sur la lame et les dents doivent pointer dans la même direction que celle de la flèche indiquée sur le protège-lame inférieur). Ne pas assumer que le côté imprimé de la lame est toujours face à l'utilisateur lorsqu'elle est installée correctement. Lorsqu'on escamote le protège-lame inférieur en vue d'installer la lame, le vérifier afin de s'assurer qu'il est en bon état et qu'il fonctionne correctement, c'est-à-dire, qu'il se déplace librement et qu'il ne touche pas à la lame ni à toute autre pièce quelconque, quel que soit l'angle ou la profondeur de coupe.

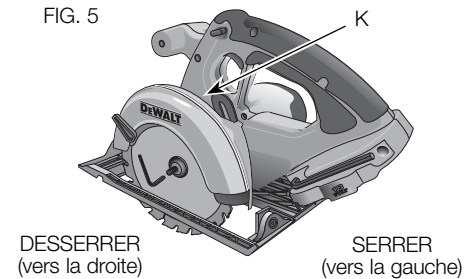




3. Placer la rondelle de bride de serrage externe (O) sur la broche de scie, en s'assurant de placer la large surface plane contre la lame, et le côté biseauté vers l'extérieur.
4. Fileter la vis de fixation de la lame (H) dans la broche et la serrer fermement avec les doigts (cette vis à filetage inverse doit être serrée vers la gauche).
5. Appuyer sur le bouton de verrouillage de la lame (K) et tourner la broche au moyen de la clé de réglage de la lame jusqu'à ce que le bouton de verrouillage s'engage et que la lame s'immobilise (figure 5).
6. Serrer fermement la vis de fixation au moyen de la clé de réglage.

REMARQUE : Ne jamais engager le bouton de verrouillage de la lame lorsque la scie est en marche pour tenter d'arrêter l'outil. Ne jamais mettre l'outil en marche lorsque le bouton de verrouillage est engagé afin d'éviter d'endommager gravement la scie.

FIG. 5



REMPACEMENT DE LA LAME (FIG. 5)

1. Pour desserrer la vis de fixation de la lame (H), appuyer sur son bouton de verrouillage (K) et tourner la broche au moyen de la clé de réglage jusqu'à ce que le bouton de verrouillage s'engage et que la lame s'immobilise. Une fois le bouton engagé, tourner la vis

- de fixation de la lame vers la droite au moyen de la clé (cette vis à filetage inverse doit être desserrée vers la droite).
- Retirer la vis de fixation (H) et la rondelle de bride de serrage externe (O) seulement, puis enlever l'ancienne lame.
 - Enlever la sciure qui aurait pu s'accumuler dans le protège-lame ou autour de la rondelle et vérifier le protège-lame inférieur afin de s'assurer qu'il est en bon état et qu'il fonctionne correctement, tel que décrit précédemment. Ne pas lubrifier cette zone.
 - Choisir la lame qui convient à la tâche (voir la section « Lames » du présent guide). Toujours utiliser une lame de dimension (diamètre) appropriés munie d'un orifice de dimension et de forme appropriées en vue de leur installation sur la broche. Toujours s'assurer que la vitesse maximale recommandée (tr/min) indiquée sur la lame est égale ou supérieure à la vitesse (tr/min) de la scie.
 - Suivre les étapes de 2 à 6 décrites à la section « Installation de la lame » du présent guide, en s'assurant que la lame tourne dans le bon sens.

PROTÈGE-LAME INFÉRIEUR

⚠AVERTISSEMENT : *Le protège-lame inférieur est un dispositif de sécurité qui réduit les risques de blessure grave. Ne jamais utiliser la scie lorsque le protège-lame inférieur est manquant, endommagé, mal assemblé ou en mauvais état de fonctionnement. Ne pas se fier sur le protège-lame inférieur pour se protéger sous toutes les circonstances. Pour assurer sa propre sécurité, on doit suivre toutes les mesures de précaution et consignes de sécurité décrites ci-dessous et utiliser l'outil correctement. Vérifier le protège-lame inférieur avant chaque utilisation afin de s'assurer qu'il se ferme correctement, tel que décrit à la section « Règles de sécurité additionnelles concernant les scies circulaires » du présent guide. Lorsque le protège-lame inférieur est manquant ou qu'il*

ne fonctionne pas bien, apporter la scie à un centre de service autorisé avant de l'utiliser. Pour assurer la sécurité et la fiabilité de ce produit, toutes les opérations de réparation, d'entretien et de réglage doivent être effectuées dans un centre de service autorisé ou par du personnel qualifié; on ne doit utiliser que des pièces de rechange identiques.

Lames

⚠AVERTISSEMENT : *Afin de réduire les risques de blessure aux yeux, toujours porter des lunettes de protection. Le carbure est un matériel dur, mais fragile, et les matières étrangères présentes dans la pièce, comme les fils ou les clous, peuvent fendre ou briser les pointes. Ne jamais faire fonctionner l'outil lorsque le protège-lame n'est pas en place. S'assurer que la lame est installée et bien fixée et qu'elle tourne correctement avant d'utiliser l'outil. Toujours utiliser une lame propre et bien aiguisée.*

⚠ATTENTION: *ne jamais utiliser l'outil pour effectuer une coupe dans les métaux ferreux (acier), la maçonnerie, le verre, ou platelage de maçonnerie similaire, les panneaux de ciment ou la tuile.*

Ne pas utiliser de meules ou de lames abrasives. Les lames usées produisent des coupes lentes et inefficaces, surchargent le moteur, engendrent davantage d'éclats de bois et augmentent les risques de rebond. Se reporter au tableau suivant pour déterminer la dimension exacte de la lame de rechange qui convient au modèle concerné.

Lame	Diamètre	Dents	Application
DW9155	16,5 cm (6-1/2 po)	18	Coupes universelles
DW9154	16,5 cm (6-1/2 po)	24	Coupes de précision du bois
DW9153	16,5 cm (6-1/2 po)	90	Coupes sans carbure, de contreplaqué/ recouvrement mural en vinyle

Pour obtenir plus d'information sur les lames, veuillez communiquer avec DEWALT au 1 800 4-DEWALT (1 800 433-9258).

REBOND

Le rebond est une réaction subite (causée par une lame de scie pincée, coincée ou mal alignée) qui peut entraîner le soulèvement d'une scie non contrôlée, sa sortie de l'ouvrage et sa projection en direction de l'utilisateur. Si la lame est pincée ou coincée fortement pendant l'abaissement de la scie, la lame se cale et le moteur réagit en entraînant rapidement l'outil vers l'arrière dans la direction de l'opérateur. Si la lame se tord ou perd son alignement correct au cours de la coupe, les dents sur le bord arrière de la lame peuvent entamer la surface supérieure du bois, forçant ainsi la lame à sortir du trait de scie et à « sauter » vers l'arrière en direction de l'opérateur.

Les situations suivantes présentent des risques de rebond.

1. MAUVAIS SOUTIEN DE LA PIÈCE À DÉCOUPER

- L'affaissement ou le mauvais soutien de la pièce découpée peut causer le blocage de la lame.
- Le découpage d'un matériau seulement soutenu à l'extrémité externe (fig. 10) fait affaisser le matériau à-mesure qu'il s'affaiblit, refermant ainsi la rainure et bloquant la lame.
- Le découpage d'une pièce en porte-à-faux ou en saillie à partir du bas vers le haut, à la verticale, provoque le blocage de la lame lorsque la pièce découpée tombe.
- Le découpage de longues bandes étroites (coupes en refente) peut causer l'affaissement ou la torsion de la bande bloquant ainsi la rainure et coinçant la lame.
- L'accrochage du protecteur inférieur sur la surface sous le matériau peut réduire momentanément la maîtrise de l'utilisateur sur l'outil. La scie peut alors sortir en partie de la pièce augmentant le risque de torsion de la lame.

2. RÉGLAGE INCORRECT DE LA PROFONDEUR DE COUPE

Pour faire la coupe la plus efficace, la lame devrait dépasser seulement assez loin pour exposer seulement la moitié d'une dent (fig 7). Cela permet au patin de soutenir la lame et de réduire la torsion et le pincement du matériau.

3. TORSION DE LA LAME (COUPE MAL ALIGNÉE)

- Le fait de pousser fort pour découper un noeud, un clou ou une section à grain dur peut provoquer la torsion de la lame.
- Lorsqu'on essaie de faire dévier la scie pendant le découpage (pour revenir dans la ligne de coupe) peut également provoquer la torsion de la lame.
- Le fait de s'étirer hors de sa portée ou de ne pas garder son équilibre peut causer la torsion de la lame.
- Le changement de position des mains ou du corps pendant la coupe peut provoquer la torsion de la lame.
- Le retrait de la scie pour dégager la lame peut faire tordre la lame.

4. MATÉRIAUX PRÉSENTANT DES RISQUES

- Le bois qui est humide.
- Le bois vert; qui est frais coupé ou qui n'est pas encore passé au séchoir.
- Le bois qui est traité à la pression (traité avec des agents de conservation ou des produits chimiques contre la moisissure).

5. UTILISATION DE LAMES ÉMOUSSÉES OU SALES

Les lames émoussées augmentent la charge de la scie. Pour compenser, l'utilisateur pousse habituellement fort ce qui charge un peu plus la scie et occasionne la torsion de la lame dans la rainure. Les lames usées n'ont pas suffisamment de jeu ce qui augmente les risques de pliage et de surcharge.

6. RETRAIT DE LA SCIE PENDANT LES COUPES EN BISEAU

Les coupes en biseau doivent être faites en respectant un certain nombre de techniques, particulièrement le guidage de la scie. En

effet, l'angle de la lame au patin et la grande surface de la lame sur le matériau augmentent les risques de pliage et de torsion.

7. REDÉMARRAGE D'UNE COUPE AVEC LES DENTS DE LA LAME COINCÉES DANS LE MATÉRIAU

Il faut attendre que la scie atteigne son plein régime avant de commencer à découper ou avant de remettre la scie en marche. Autrement, la scie peut caler ou rebondir.

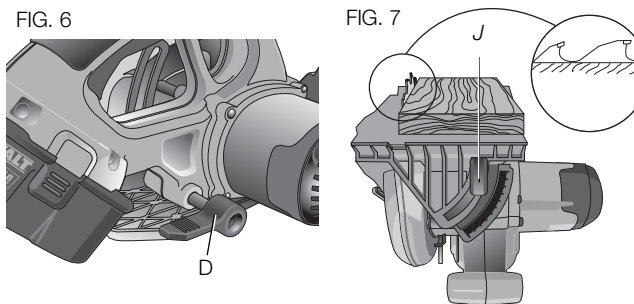
Toute autre condition qui peut occasionner le coincement, le pliage, la torsion ou l'alignement incorrect de la lame peut également résulter en un rebond. Consulter les rubriques relatives aux réglages et au montage ainsi qu'au fonctionnement afin de minimiser les risques de rebond.

Réglage de la profondeur de coupe (Fig. 6, 7)

1. Tenir fermement la scie et desserrer (vers la droite) le bouton de réglage de profondeur (D), puis déplacer le patin afin d'obtenir la profondeur voulue.
2. S'assurer de bien resserrer le bouton (vers la gauche) avant de faire fonctionner l'outil.

Afin d'obtenir une coupe optimale, régler le bouton de réglage de profondeur de manière à ce qu'une la moitié d'une dent dépasse légèrement sous le matériau à couper; la distance idéale se mesure entre le bout de la dent et le fond de la gorge devant celle-ci. Ceci réduit au minimum la friction de la lame, permet d'éloigner la sciure de la coupe, produit moins de chaleur et accélère le sciage, et réduit les risques de rebond. La figure 7 illustre une méthode pour déterminer la profondeur de coupe appropriée. Il s'agit de déposer la pièce le long de la lame, tel qu'illustré, et de compter le nombre de dents qui dépassent.

REMARQUE : lorsqu'on utilise une lame à pointes carburées, on doit faire exception à la règle en laissant dépasser seulement la moitié d'une dent.



Réglage de l'angle de biseau (Fig. 7)

La plage complète des angles de biseau s'étend entre 0 et 50 degrés; le réglage s'effectue par échelons de 1 degré. Sur le devant de la scie se trouve un mécanisme de réglage de l'angle de biseau (figure 7) consistant en un quart-de-cercle gradué et en un bouton (J).

POUR EFFECTUER LE RÉGLAGE DE L'ANGLE DE BISEAU :

1. Desserrer (vers la gauche) le bouton de réglage de l'angle de biseau (J) et pencher le patin à l'angle voulu en alignant l'indicateur avec la marque correspondante.
2. Resserrer fermement le bouton (vers la droite).

Réglage du patin pour les coupes de 90°

SI UN RÉGLAGE SUPPLÉMENTAIRE S'AVÈRE NÉCESSAIRE, ON DOIT :

1. Régler la scie à un angle de biseau de 0°;
2. Escamoter le protège-lame et déposer la scie du côté de la lame;

3. Desserrer le bouton de réglage de l'angle de biseau, puis placer une équerre contre la lame et le patin pour régler l'angle à 90°;
4. Déplacer la vis de réglage de manière à ce que le patin s'arrête à l'angle choisi;
5. Confirmer la précision du réglage en vérifiant la perpendicularité d'une coupe qu'on a effectuée sur un matériel de retaille.

Indicateur de trait de scie

La partie avant du patin est munie d'un indicateur de trait de scie pour les coupes verticales et en biseau. Cet indicateur permet à l'opérateur de guider la scie le long des lignes de coupe tracées au crayon sur la pièce. L'indicateur s'aligne avec le côté gauche (extérieur) de la lame de sorte que la fente ou l'entaille soit effectuée du côté droit de l'indicateur. On doit suivre la ligne de coupe de manière que le trait de scie soit sur le matériau excédentaire ou de retaille.

Support de la pièce (Fig. 8-10)

⚠ AVERTISSEMENT : Il est important de bien soutenir la pièce et de tenir fermement la scie afin d'éviter de perdre la maîtrise de l'outil et de se blesser. La figure 8 illustre la bonne façon de soutenir et de tenir la scie. Tenir fermement l'outil des deux mains et placer le corps et les bras de manière à pouvoir résister les effets du rebond, le cas échéant. **TOUJOURS METTRE L'OUTIL HORS TENSION ET RETIRER LE BLOC-PILES AVANT D'EFFECTUER UN RÉGLAGE!**

La figure 8 illustre la position de sciage appropriée. Les mains doivent être tenues éloignées de la zone de coupe. Pour éviter l'effet de

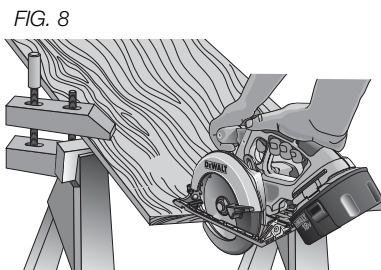


FIG. 8

rebond, **TOUJOURS** soutenir la planche ou le panneau **PRÈS** de la ligne de coupe (fig. 9), **JAMAIS** loin de celle-ci (figure 10).

FIG. 9 **TOUJOURS** soutenir la planche ou le panneau **PRÈS DE LA LIGNE** de coupe

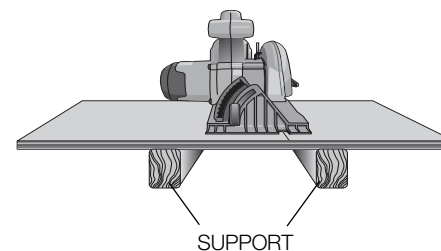
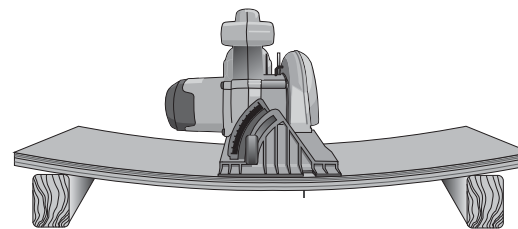


FIG. 10

NE JAMAIS soutenir la planche ou le panneau **LOIN** de la ligne de coupe.



Placer la pièce de manière à ce que le «bon» côté (celui dont l'apparence importe le plus) soit vers le bas; puisque la scie coupe vers le haut, le matériau produira des éclats dans cette direction.

Coupage

Placer la section la plus large du patin sur la section solidement soutenue du matériau, non sur celle qui se détachera. Par exemple, la figure 8 illustre la façon **CORRECTE** de couper l'extrémité d'une

planche. Toujours fixer la pièce. Ne jamais tenir les planches plus courtes avec les mains! Bien soutenir les pièces en saillie ou en porte-à-faux et prendre les précautions nécessaires lorsqu'on coupe un matériau sur le dessous.

S'assurer que la scie atteigne sa vitesse maximale avant de placer la lame sur le matériau, car on peut engendrer un rebond si on démarre la scie alors qu'elle touche le matériau ou si on la pousse dans une entaille. Faire avancer la scie à une vitesse qui permet à la lame de couper sans trop forcer. La dureté et la résilience d'un matériau peuvent varier d'une section à l'autre; les sections neuves ou humides peuvent aussi surcharger l'outil. Lorsque cela se produit, pousser la scie plus lentement en s'assurant d'exercer assez de pression pour continuer à travailler sans trop réduire la vitesse. Le fait de forcer la scie causera des coupes grossières et imprécises, ainsi que des rebonds et la surchauffe des bouts de lame et/ou du moteur. Si la scie s'éloigne de la ligne de coupe, ne pas la forcer pour la réorienter. On doit plutôt relâcher l'interrupteur, attendre que l'outil s'arrête complètement, retirer la scie, et reprendre la coupe légèrement, à côté de l'endroit où l'erreur s'est produite. Il faut toujours retirer la scie lorsqu'on reprend une coupe. Lorsqu'on essaie de corriger une erreur en laissant la scie dans la section mal coupée, on peut caler le moteur et causer un rebond.

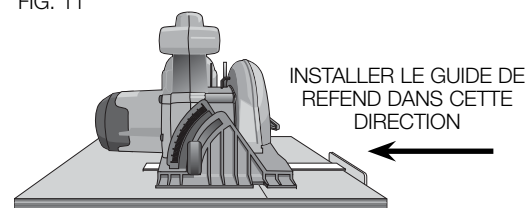
SI LE MOTEUR CALE, RELÂCHER L'INTERRUPTEUR À GÂCHETTE ET DÉGAGER COMPLÈTEMENT LA SCIE DE LA PIÈCE. S'ASSURER QUE LA LAME EST BIEN ALIGNÉE DANS LA COUPE ET QU'ELLE NE TOUCHE PAS LE BORD DE LA PIÈCE AVANT DE REPRENDRE LA COUPE.

Lorsqu'on termine une coupe, on doit relâcher l'interrupteur à gâchette et attendre que la lame s'arrête complètement avant de dégager la scie de la pièce. Lorsqu'on soulève la scie, le protège-lame rétractable à ressort se ferme automatiquement sous la lame. La lame n'étant pas protégée avant que l'outil ne soit dégagé, on doit éviter

de mettre les mains sous la pièce pour quelque raison que ce soit. Toujours se servir du levier prévu à cette fin lorsqu'on doit escamoter manuellement le dispositif rétractable (comme lorsqu'on amorce la coupe interne d'un matériau).

REMARQUE : *Lorsqu'on coupe des bandes étroites, on doit s'assurer que les petits morceaux de bois ne restent pas coincés dans le protège lame inférieur.*

FIG. 11



COUPES EN LONG (FIG. 11)

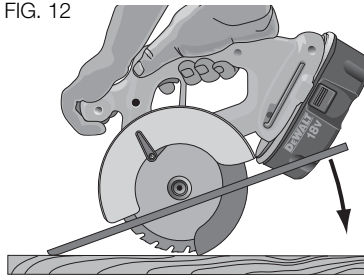
Dans une coupe en long, de plus larges panneaux sont coupés dans le sens du grain en vue d'obtenir des bandes plus étroites. Il est plus difficile de guider la pièce manuellement lorsqu'on effectue une telle coupe; on recommande donc d'utiliser un guide de refend pour effectuer les coupes en long.

COUPE EFFECTUÉE À PARTIR DE L'INTÉRIEUR D'UN MATÉRIAU (FIG. 12)

ATTENTION : *Ne jamais fixer le protège-lame en position soulevée. Ne jamais déplacer la scie vers l'arrière lors d'une coupe interne; la scie peut alors se soulever et se détacher de la pièce, ce qui risque d'entraîner des blessures.*

On effectue une coupe interne dans un plancher, un mur ou toute autre surface plane.

FIG. 12



1. Régler le patin afin d'obtenir la profondeur de coupe voulue.
2. Pencher la scie vers l'avant et appuyer le devant du patin sur le matériau à couper.
3. Soulever le protège-lame inférieur au moyen du levier d'escamotage. Abaisser l'arrière du patin jusqu'à ce que les dents de la lame soient presque en contact avec la ligne de coupe.
4. Relâcher le protège-lame (en touchant la pièce, il maintiendra sa position et se déplacera librement lorsqu'on amorcera la coupe). Relâcher le levier du protège-lame et tenir fermement la poignée auxiliaire, tel qu'illustré à la figure 12. Placer le corps et les bras de manière à pouvoir résister les effets du rebond, le cas échéant.
5. S'assurer que la lame n'est pas en contact avec la surface de coupe avant de démarrer le moteur.
6. Démarrer le moteur et baisser graduellement la scie jusqu'à ce que le patin repose à plat sur la surface. Faire avancer la scie le long de la ligne de coupe jusqu'à ce que cette dernière soit terminée.
7. Relâcher l'interrupteur à gâchette et attendre que la lame s'arrête complètement avant de la dégager de la pièce.

8. Reprendre les étapes ci-dessus chaque fois qu'on amorce une nouvelle coupe.

MAINTENANCE

⚠ AVERTISSEMENT : *pour réduire le risque de blessures graves, éteindre l'outil et retirer le bloc-piles avant d'effectuer tout réglage et d'enlever ou d'installer tout accessoire. Un démarrage accidentel peut provoquer des blessures.*

Nettoyage

⚠ AVERTISSEMENT : *enlever les saletés et la poussière hors des événements au moyen d'air comprimé propre et sec, au moins une fois par semaine. Pour minimiser le risque de blessure aux yeux, toujours porter une protection oculaire conforme à la norme ANSI Z87.1 lors du nettoyage.*

⚠ AVERTISSEMENT : *ne jamais utiliser de solvants ni d'autres produits chimiques puissants pour nettoyer les pièces non métalliques de l'outil. Ces produits chimiques peuvent affaiblir les matériaux de plastique utilisés dans ces pièces. Utiliser un chiffon humecté uniquement d'eau et de savon doux. Ne jamais laisser de liquide pénétrer dans l'outil et n'immerger aucune partie de l'outil dans un liquide.*

INSTRUCTION DE NETTOYAGE DU CHARGEUR

⚠ AVERTISSEMENT : *risque de choc. Débrancher le chargeur de la prise de courant C.A. avant de le nettoyer. La saleté et la graisse peuvent être enlevées de la surface extérieure du chargeur au moyen d'un chiffon ou d'une brosse douce non métallique. Ne pas utiliser d'eau ni d'autres solutions de nettoyage.*

Lubrification

Les roulements à billes ou à rouleaux internes de l'outil sont autolubrifiés, de sorte qu'on n'a pas besoin de les lubrifier soi-même. On recommande cependant d'ér l'outil à un centre de service

autorisé au moins une fois par année aux fins d'un entretien complet (nettoyage, inspection et lubrification) du carter d'engrenage.

Accessoires

⚠ AVERTISSEMENT : *puisque les accessoires autres que ceux offerts par DEWALT n'ont pas été testés avec ce produit, leur utilisation pourrait s'avérer dangereuse. Pour réduire le risque de blessures, utiliser exclusivement les accessoires DEWALT recommandés avec le présent produit.*

Les accessoires recommandés pour cet outil sont vendus séparément au centre de service de votre région. Pour obtenir de l'aide concernant l'achat d'un accessoire, communiquer avec DEWALT Industrial Tool Co., 701 East Joppa Road, Baltimore, MD 21286 aux États-Unis; composer le 1 800 433-9258 (1 800 4-DEWALT) ou visiter notre site Web : www.dewalt.com.

Réparations

Le chargeur et le bloc-piles ne sont pas réparables.

Pour assurer la SÉCURITÉ et la FIABILITÉ du produit, les réparations, l'entretien et les réglages doivent être réalisés (cela comprend l'inspection et le remplacement du balai) par un centre de réparation en usine DEWALT, un centre de réparation agréé DEWALT ou par d'autres techniciens qualifiés. Toujours utiliser des pièces de rechange identiques.

Registre en ligne

Merci pour votre achat. Enregistrez dès maintenant votre produit:

- **RÉPARATIONS SOUS GARANTIE:** cette carte remplie vous permettra de vous prévaloir du service de réparations sous garantie de façon plus efficace dans le cas d'un problème avec le produit.
- **CONFIRMATION DE PROPRIÉTÉ:** en cas de perte provoquée par un incendie, une inondation ou un vol, cette preuve de

propriété vous servira de preuve auprès de votre compagnie d'assurances.

- **SÉCURITÉ:** l'enregistrement de votre produit nous permettra de communiquer avec vous dans l'éventualité peu probable de l'envoi d'un avis de sécurité régi par la loi fédérale américaine de la protection des consommateurs.

Registre en ligne à www.dewalt.com/register.

Garantie limitée de trois ans

DEWALT réparera, sans frais, tout produit défectueux causé par un défaut de matériel ou de fabrication pour une période de trois ans à compter de la date d'achat. La présente garantie ne couvre pas les pièces dont la défectuosité a été causée par une usure normale ou l'usage abusif de l'outil. Pour obtenir de plus amples renseignements sur les pièces ou les réparations couvertes par la présente garantie, visiter le site www.dewalt.com ou composer le 1 800 433-9258 (1 800 4-DEWALT). Cette garantie ne s'applique pas aux accessoires et ne vise pas les dommages causés par des réparations effectuées par un tiers. Cette garantie confère des droits légaux particuliers à l'acheteur, mais celui-ci pourrait aussi bénéficier d'autres droits variant d'un état ou d'une province à l'autre.

En plus de la présente garantie, les outils DEWALT sont couverts par notre :

CONTRAT D'ENTRETIEN GRATUIT D'UN AN

DEWALT entretiendra l'outil et remplacera les pièces usées au cours d'une utilisation normale et ce, gratuitement, pendant une période d'un an à compter de la date d'achat.

CONTRAT D'ENTRETIEN GRATUIT DE DEUX ANS SUR LES BLOC-PILES DEWALT

DC9071, DC9091, DC9096, DC9182, DC9280, DC9360, DC9180, DCB120, DCB127, DCB201, DCB203 et DCB207

CONTRAT D'ENTRETIEN GRATUIT DE TROIS ANS SUR LES BLOC-PILES DEWALT

DCB200, DCB204, DCB205

BLOCS-PILES DEWALT

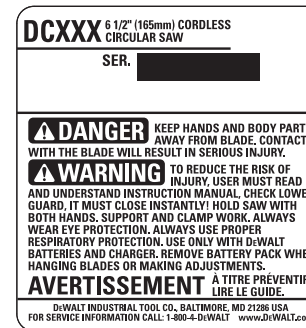
La garantie de ce produit sera annulée si le bloc-piles a été altéré de quelque façon que ce soit. DEWALT ne peut être tenu responsable de tout dommage corporel causé par l'altération du produit et pourra poursuivre toute fraude en matière de garantie dans toute l'étendue permise par la loi.

GARANTIE DE REMBOURSEMENT DE 90 JOURS

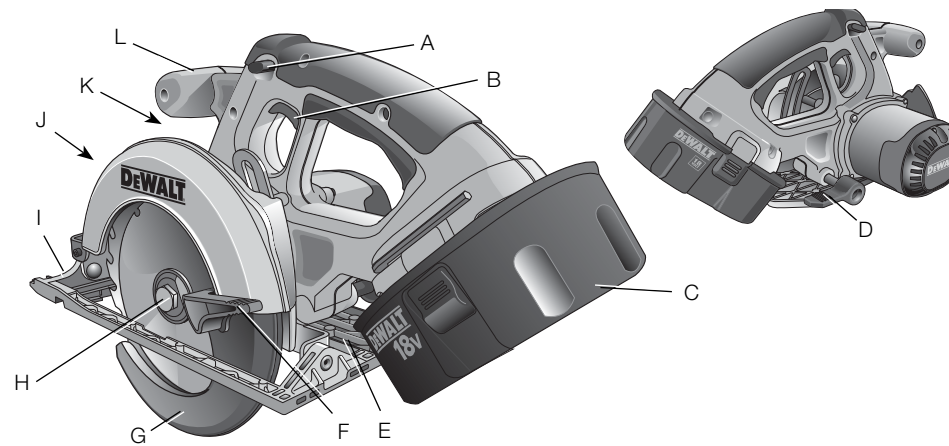
Si l'acheteur n'est pas entièrement satisfait, pour quelque raison que ce soit, du rendement de l'outil électrique, du laser ou de la cloueuse DEWALT, celui-ci peut le retourner, accompagné d'un reçu, dans les 90 jours à compter de la date d'achat pour obtenir un remboursement intégral, sans aucun problème.

AMÉRIQUE LATINE : cette garantie ne s'applique aux produits vendus en Amérique latine. Pour ceux-ci, veuillez consulter les informations relatives à la garantie spécifique présente dans l'emballage, appeler l'entreprise locale ou consulter le site Web pour les informations relatives à cette garantie.

REPLACEMENT GRATUIT DES ÉTIQUETTES D'AVERTISSEMENT : si les étiquettes d'avertissement deviennent illisibles ou sont manquantes, composer le 1 800 433-9258 (1 800 4-DEWALT) pour en obtenir le remplacement gratuit.



Sierra circular inalámbrica de 18 voltios y 3700 RPM Modelo DC390



- A. CONMUTADOR DE BLOQUEO EN OFF (APAGADO)
- B. CONMUTADOR TIPO GATILLO
- C. UNIDAD DE ALIMENTACIÓN
- D. BOTÓN DE AJUSTE DE PROFUNDIDAD
- E. BASE
- F. PALANCA DE RETRACCIÓN DEL PROTECTOR INFERIOR
- G. PROTECTOR INFERIOR

- H. TORNILLO DE FIJACIÓN DE LA HOJA
- I. INDICADOR DE LA VÍA DEL CORTE
- J. BOTÓN DE AJUSTE DEL BISEL
(no aparece ilustrado)
- K. BOTÓN DE BLOQUEO DE LA HOJA
(no aparece ilustrado)
- L. MANGO AUXILIAR

Definiciones: Normas de seguridad

Las siguientes definiciones describen el nivel de gravedad de cada palabra de señal. Lea el manual y preste atención a estos símbolos.

▲ PELIGRO: Indica una situación de peligro inminente que, si no se evita, provocará **la muerte o lesiones graves**.

▲ ADVERTENCIA: Indica una situación de peligro potencial que, si no se evita, **podría provocar la muerte o lesiones graves**.

▲ ATENCIÓN: Indica una situación de peligro potencial que, si no se evita, **posiblemente** provocaría **lesiones leves o moderadas**.

AVISO: Se refiere a una práctica **no relacionada a lesiones corporales** que de no evitarse **puede** resultar en **daños a la propiedad**.

SI TIENE ALGUNA DUDA O ALGÚN COMENTARIO SOBRE ÉSTA U OTRA HERRAMIENTA DEWALT, LLÁMENOS AL NÚMERO GRATUITO: 1-800-4-DEWALT (1-800-433-9258).



ADVERTENCIA: Para reducir el riesgo de lesiones, lea el manual de instrucciones.

Advertencias generales de seguridad para herramientas eléctricas

¡ADVERTENCIA! Lea todas las advertencias de seguridad e instrucciones. El incumplimiento de las advertencias e instrucciones puede provocar descargas eléctricas, incendios o lesiones graves.

CONSERVE TODAS LAS ADVERTENCIAS E INSTRUCCIONES PARA FUTURAS CONSULTAS

El término "herramienta eléctrica" incluido en las advertencias hace referencia a las herramientas eléctricas operadas con corriente (con cable eléctrico) o a las herramientas eléctricas operadas con baterías (inalámbricas).

1) SEGURIDAD EN EL ÁREA DE TRABAJO

- a) **Mantenga el área de trabajo limpia y bien iluminada.** Las áreas abarrotadas y oscuras propician accidentes.
- b) **No opere las herramientas eléctricas en atmósferas explosivas, como ambientes donde haya polvo, gases o líquidos inflamables.** Las herramientas eléctricas originan chispas que pueden encender el polvo o los vapores.
- c) **Mantenga alejados a los niños y a los espectadores de la herramienta eléctrica en funcionamiento.** Las distracciones pueden provocar la pérdida de control.

2) SEGURIDAD ELÉCTRICA

- a) **Los enchufes de la herramienta eléctrica deben adaptarse al tomacorriente. Nunca modifique el enchufe de ninguna manera. No utilice ningún enchufe adaptador con herramientas eléctricas con conexión a tierra.** Los enchufes no modificados y que se adaptan a los tomacorrientes reducirán el riesgo de descarga eléctrica.
- b) **Evite el contacto corporal con superficies con descargas a tierra como, por ejemplo, tuberías, radiadores, cocinas eléctricas y refrigeradores.** Existe mayor riesgo de descarga eléctrica si su cuerpo está puesto a tierra.

- c) **No exponga las herramientas eléctricas a la lluvia o a condiciones de humedad.** Si entra agua a una herramienta eléctrica, aumentará el riesgo de descarga eléctrica.
- d) **No maltrate el cable. Nunca utilice el cable para transportar, tirar o desenchufar la herramienta eléctrica. Mantenga el cable alejado del calor, el aceite, los bordes filosos y las piezas móviles.** Los cables dañados o enredados aumentan el riesgo de descarga eléctrica.
- e) **Al operar una herramienta eléctrica en el exterior, utilice un cable prolongador adecuado para tal uso.** Utilice un cable adecuado para uso en exteriores a fin de reducir el riesgo de descarga eléctrica.
- f) **Si el uso de una herramienta eléctrica en un lugar húmedo es imposible de evitar, utilice un suministro protegido con un interruptor de circuito por falla a tierra (GFCI).** El uso de un GFCI reduce el riesgo de descargas eléctricas.
- 3) SEGURIDAD PERSONAL**
- a) **Permanezca alerta, controle lo que está haciendo y utilice el sentido común cuando emplee una herramienta eléctrica. No utilice una herramienta eléctrica si está cansado o bajo el efecto de drogas, alcohol o medicamentos.** Un momento de descuido mientras se opera una herramienta eléctrica puede provocar lesiones personales graves.
- b) **Utilice equipos de protección personal. Siempre utilice protección para los ojos.** En las condiciones adecuadas, el uso de equipos de protección, como máscaras para polvo, calzado de seguridad antideslizante, cascos o protección auditiva, reducirá las lesiones personales.
- c) **Evite el encendido por accidente. Asegúrese de que el interruptor esté en la posición de apagado antes de conectarlo a la fuente de energía o paquete de baterías, o antes de levantar o transportar la herramienta.** Transportar herramientas eléctricas con el dedo apoyado en el interruptor o enchufar herramientas eléctricas con el interruptor en la posición de encendido puede propiciar accidentes.
- d) **Retire la clavija de ajuste o la llave de tuercas antes de encender la herramienta eléctrica.** Una llave de tuercas o una clavija de ajuste que quede conectada a una pieza giratoria de la herramienta eléctrica puede provocar lesiones personales.
- e) **No se estire. Conserve el equilibrio y párese adecuadamente en todo momento.** Esto permite un mejor control de la herramienta eléctrica en situaciones inesperadas.
- f) **Use la vestimenta adecuada. No use ropas holgadas ni joyas. Mantenga el cabello, la ropa y los guantes alejados de las piezas en movimiento.** Las ropas holgadas, las joyas o el cabello largo pueden quedar atrapados en las piezas en movimiento.
- g) **Si se suministran dispositivos para la conexión de accesorios con fines de recolección y extracción de polvo, asegúrese de que estén conectados y que se utilicen correctamente.** El uso de dispositivos de recolección de polvo puede reducir los peligros relacionados con el polvo.
- 4) USO Y MANTENIMIENTO DE LA HERRAMIENTA ELÉCTRICA**
- a) **No fuerce la herramienta eléctrica. Utilice la herramienta eléctrica correcta para el trabajo que realizará.** Si se la utiliza a la velocidad para la que fue diseñada, la herramienta eléctrica correcta permite trabajar mejor y de manera más segura.
- b) **No utilice la herramienta eléctrica si no puede encenderla o apagarla con el interruptor.** Toda herramienta eléctrica que

no pueda ser controlada mediante el interruptor es peligrosa y debe repararse.

- c) **Desconecte el enchufe de la fuente de energía o el paquete de baterías de la herramienta eléctrica antes de realizar ajustes, cambiar accesorios o almacenar la herramienta eléctrica.** Estas medidas de seguridad preventivas reducen el riesgo de encender la herramienta eléctrica en forma accidental.
- d) **Guarde la herramienta eléctrica que no esté en uso fuera del alcance de los niños y no permita que otras personas no familiarizadas con ella o con estas instrucciones operen la herramienta.** Las herramientas eléctricas son peligrosas si son operadas por usuarios no capacitados.
- e) **Realice el mantenimiento de las herramientas eléctricas. Revise que no haya piezas en movimiento mal alineadas o trabadas, piezas rotas o cualquier otra situación que pueda afectar el funcionamiento de la herramienta eléctrica. Si encuentra daños, haga reparar la herramienta eléctrica antes de utilizarla.** Se producen muchos accidentes a causa de las herramientas eléctricas que carecen de un mantenimiento adecuado.
- f) **Mantenga las herramientas de corte afiladas y limpias.** Las herramientas de corte con mantenimiento adecuado y con los bordes de corte afilados son menos propensas a trabarse y son más fáciles de controlar.
- g) **Utilice la herramienta eléctrica, los accesorios y las brocas de la herramienta, etc. de acuerdo con estas instrucciones y teniendo en cuenta las condiciones de trabajo y el trabajo que debe realizarse.** El uso de la herramienta eléctrica para operaciones diferentes de aquéllas para las que fue diseñada podría originar una situación peligrosa.

5) USO Y MANTENIMIENTO DE LA HERRAMIENTA CON BATERÍAS

- a) **Recargue solamente con el cargador especificado por el fabricante.** Un cargador adecuado para un tipo de paquete de baterías puede originar riesgo de incendio si se utiliza con otro paquete de baterías.
- b) **Utilice herramientas eléctricas sólo con paquetes de baterías específicamente diseñados.** El uso de cualquier otro paquete de baterías puede producir riesgo de incendio y lesiones.
- c) **Cuando no utilice el paquete de baterías, manténgalo lejos de otros objetos metálicos como sujetapapeles, monedas, llaves, clavos, tornillos u otros objetos metálicos pequeños que puedan realizar una conexión desde un terminal al otro.** Los cortocircuitos en los terminales de la batería pueden provocar quemaduras o incendio.
- d) **En condiciones abusivas, el líquido puede ser expulsado de la batería. Evite su contacto. Si entra en contacto accidentalmente, enjuague con agua. Si el líquido entra en contacto con los ojos, busque atención médica.** El líquido expulsado de la batería puede provocar irritación o quemaduras.

6) MANTENIMIENTO

- a) **Solicite a una persona calificada en reparaciones que realice el mantenimiento de su herramienta eléctrica y que sólo utilice piezas de repuesto idénticas.** Esto garantizará la seguridad de la herramienta eléctrica.

Normas adicionales de seguridad para sierras circulares

▲ PELIGRO:

- a) **Mantenga las manos alejadas del área de corte y de la hoja. Mantenga la segunda mano en el mango auxiliar o en la carcasa del motor.** Si las dos manos están sujetando la sierra, no pueden ser cortadas por la hoja.
- b) **No ponga las manos debajo de la pieza de trabajo.** El protector no puede protegerle de la hoja debajo de la pieza de trabajo.
- c) **Ajuste la profundidad de corte al grosor de la pieza de trabajo.** Menos de un diente completo de los dientes de la hoja debe ser visible debajo de la pieza de trabajo.
- d) **No sujete nunca la pieza que esté cortando en las manos o atravesada sobre una pierna. Sujete firmemente la pieza de trabajo a una plataforma estable.** Es importante soportar apropiadamente la pieza de trabajo para minimizar la exposición del cuerpo, el atasco de la hoja o la pérdida de control.
- e) **Sujete la herramienta mecánica por las superficies de agarre con aislamiento cuando realice una operación en la que la herramienta de corte podría entrar en contacto con cables ocultos o con su propio cable de alimentación.** El contacto con un cable "con corriente" hará que las partes metálicas de la herramienta mecánica que estén al descubierto también "lleven corriente", lo cual causará descargas al operador.
- f) **Cuando corte al hilo, utilice siempre un tope-guía para cortar al hilo o una guía de borde recto.** Esto mejora la precisión del corte y reduce las probabilidades de que la hoja se atasque.

- g) **Utilice siempre hojas que tengan el tamaño correcto y la forma correcta (de diamante frente a redonda) de agujeros para el eje portaherramienta.** Las hojas que no coincidan con los herrajes de montaje de la sierra funcionarán excéntricamente, causando pérdida de control.
- h) **No use nunca arandelas de hoja o un perno de hoja que estén dañados o sean incorrectos.** Las arandelas y el perno de la hoja se diseñaron especialmente para su sierra, con el fin de lograr un rendimiento óptimo y una seguridad óptima de funcionamiento.

CAUSAS DEL RETROCESO Y SU PREVENCIÓN POR EL OPERADOR:

- El retroceso es una reacción repentina a una hoja de sierra pellizcada, atascada o desalineada, que hace que una sierra descontrolada se levante y se salga de la pieza de trabajo, hacia el operador.
- Cuando la hoja se pellizca o se atasca fuertemente al cerrarse la sección de corte, la hoja se para y la reacción del motor impulsa la unidad rápidamente hacia atrás, hacia el operador.
- Si la hoja se tuerce o se desalinea en el corte, los dientes ubicados en el borde trasero de la hoja pueden penetrar en la superficie superior de la madera, haciendo que la hoja trepe, se salga de la sección de corte y salte hacia atrás, hacia el operador.

El retroceso es el resultado de un uso inapropiado de la sierra y/o de procedimientos o situaciones de utilización incorrectos y se puede evitar tomando las precauciones apropiadas que se indican a continuación:

- a) **Mantenga un agarre firme con las dos manos en la sierra y posicione los brazos de modo que puedan resistir las fuerzas de retroceso.** Las fuerzas de retroceso pueden ser

controladas por el operador, si se toman las precauciones adecuadas.

- b) **Cuando la hoja se esté atascando o cuando se interrumpa un corte por cualquier motivo, suelte el gatillo y sujete la sierra de modo que esté inmóvil en el material hasta que la hoja se detenga por completo. No intente nunca retirar la sierra de la pieza de trabajo ni tirar de la sierra hacia atrás mientras la hoja esté en movimiento o se podría producir retroceso.** Investigue y tome medidas correctivas para eliminar la causa de atasco de la hoja.
- c) **Cuando arranque una sierra en la pieza de trabajo, centre la hoja de sierra en la sección de corte y asegúrese de que los dientes de la hoja de sierra no estén acoplados en el material.** Si la hoja de sierra se está atascando, podría desplazarse o experimentar retroceso respecto a la pieza de trabajo cuando se arranque la sierra.
- d) **Soporte los paneles grandes para minimizar el riesgo de que la hoja se pellizque y se produzca retroceso.** Los paneles grandes tienden a combarse bajo su propio peso. Se deben colocar soportes debajo del panel a ambos lados, cerca de la línea de corte y cerca del borde del panel.
- e) **No use hojas desafiladas o dañadas.** Las hojas desafiladas o con triscado inapropiado producen una sección de corte estrecha que causa fricción excesiva, atasco de la hoja y retroceso.
- f) **Las palancas de fijación de ajuste de la profundidad y del bisel de la hoja deben estar apretadas y sujetas firmemente antes de realizar el corte.** Si el ajuste de la hoja cambia mientras se realiza el corte, dicho cambio podría causar atasco y retroceso.

- g) **Tenga mucho cuidado al serrar en paredes existentes u otras zonas ciegas.** La hoja que sobresale podría cortar objetos que pueden causar retroceso.

INSTRUCCIONES DE SEGURIDAD PARA EL PROTECTOR INFERIOR

- a) **Compruebe el protector inferior para verificar si se cierra apropiadamente antes de cada uso. No utilice la sierra si el protector inferior no se mueve libremente y no se cierra instantáneamente. No sujete nunca con abrazaderas ni amarre el protector inferior en la posición abierta.** Si la sierra se cae accidentalmente, el protector inferior se podría doblar. Suba el protector inferior con el mango retráctil y asegúrese de que se mueve libremente y no toca la hoja ni ninguna otra pieza, en todos los ángulos y profundidades de corte.
- b) **Compruebe el funcionamiento del resorte del protector inferior. Si el protector y el resorte no están funcionando correctamente, se les debe hacer servicio de ajustes y reparaciones antes de la utilización.** El protector inferior podría funcionar con dificultad debido a que haya piezas dañadas, depósitos gomosos o una acumulación de residuos.
- c) **El protector inferior se debe retraer manualmente sólo para realizar cortes especiales, tales como “cortes por penetración” y “cortes compuestos”.** Suba el protector inferior por el mango retráctil y, en cuanto la hoja entre en el material, se debe soltar el protector inferior. Para todas las demás operaciones de aserrado, el protector inferior debe funcionar automáticamente.
- d) **Asegúrese siempre de que el protector inferior esté cubriendo la hoja antes de dejar la sierra en un banco de trabajo o en el piso.** Una hoja que se esté moviendo por inercia hasta detenerse y no esté protegida hará que la sierra

se desplace hacia atrás, cortando todo aquello que esté en su camino. Tenga en cuenta el tiempo que se requiere para que la hoja se detenga después de soltar el interruptor.

Normas de seguridad adicionales

- **Utilice abrazaderas u otra forma práctica para asegurar y sostener la pieza de trabajo sobre una plataforma estable.** Sostener el trabajo con la mano o contra el cuerpo no brinda la estabilidad requerida y puede llevar a la pérdida del control.
- **Mantenga el cuerpo de uno u otro lado de la hoja de la sierra, nunca en línea con la misma.** El RETROCESO podría despedir la sierra hacia atrás (vea Causas del retroceso y prevención por parte del operador y RETROCESO).
- Al apagar la herramienta, las hojas continúan en movimiento por inercia. Puede causar lesiones personales graves.
- **Evite el corte de clavos.** Revise y retire cualquier clavo antes de cortar una pieza de Madera.
- **Los orificios de ventilación suelen cubrir piezas en movimiento, por lo que también se deben evitar.** Las piezas en movimiento pueden atrapar prendas de vestir sueltas, joyas o el cabello largo.

▲ **ADVERTENCIA:** Use **SIEMPRE** lentes de seguridad. Los anteojos de diario **NO SON** lentes de seguridad. Utilice además una cubrebocas o mascarilla antipolvo si la operación de corte genera demasiado polvo. **SIEMPRE LLEVE EQUIPO DE SEGURIDAD CERTIFICADO:**

- protección ocular ANSI Z87.1 (CAN/CSA Z94.3),
- protección auditiva ANSI S12.6 (S3.19),
- protección respiratoria NIOSH/OSHA/MSHA.

▲ **ADVERTENCIA:** Algunas partículas de polvo generadas al lijar, serrar, esmerilar y taladrar con herramientas eléctricas, así como al realizar otras actividades de construcción, contienen químicos que el Estado de California sabe que pueden producir cáncer, defectos

congénitos u otras afecciones reproductivas. Ejemplos de estos químicos son:

- plomo de algunas pinturas en base a plomo,
- polvo de sílice proveniente de ladrillos y cemento y otros productos de albañilería, y
- arsénico y cromo provenientes de madera tratada químicamente.

Su riesgo de exposición a estos químicos varía, dependiendo de la frecuencia con la cual realiza usted este tipo de trabajo. Para reducir su exposición a estas sustancias químicas: trabaje en una zona bien ventilada y llevando equipos de seguridad aprobados, como mascarillas antipolvo especialmente diseñadas para filtrar partículas microscópicas.

- **Evite el contacto prolongado con polvo generado por el lijado, aserrado, pulido, taladrado y otras actividades de construcción. Vista ropas protectoras y lave las áreas de la piel expuestas con agua y jabón.** Si permite que el polvo se introduzca en la boca u ojos o quede sobre la piel, puede favorecer la absorción de productos químicos peligrosos.

▲ **ADVERTENCIA:** La utilización de esta herramienta puede generar polvo o dispersarlo, lo que podría causar daños graves y permanentes al sistema respiratorio, así como otras lesiones. Siempre use protección respiratoria aprobada por NIOSH (Instituto Nacional de Seguridad y Salud en el Trabajo) u OSHA (Administración de Seguridad y Salud en el Trabajo) apropiada para la exposición al polvo. Dirija las partículas en dirección contraria a la cara y el cuerpo.

▲ **ADVERTENCIA:** Siempre lleve la debida protección auditiva personal en conformidad con ANSI S12.6 (S3.19) durante el uso de esta herramienta. Bajo algunas condiciones y duraciones de uso, el ruido producido por este producto puede contribuir a la pérdida auditiva.

⚠ATENCIÓN: Cuando no esté en uso, guarde la herramienta apoyada en un costado sobre una superficie estable, donde no interrumpa el paso o provoque una caída. Algunas herramientas con paquetes de baterías de gran tamaño pueden colocarse paradas sobre el paquete de baterías, pero pueden caerse fácilmente.

- La etiqueta de su herramienta puede incluir los siguientes símbolos. A continuación se indican los símbolos y sus definiciones.

V.....voltios	A..... amperios
Hz.....hertz	W..... vatios
minminutos	~ o AC..... corriente alterna
==== o DC....corriente directa	≈ o AC/DC... corriente alterna
Ⓜ.....Construcción de Clase I (tierra)	o directa
Ⓜ.....Construcción de Clase II (doble aislamiento)	n..... velocidad nominal
.../minpor minuto	n _o velocidad sin carga
IPM.....impactos por minuto	⊕..... terminal de conexión a tierra
sfp _mpies de superficie por minuto	⚠..... símbolo de advertencia de seguridad
RPM.....revoluciones por minuto	
BPM.....golpes por minuto	
SPM.....pasadas por minuto	

Instrucciones de seguridad importantes para todas las unidades de batería

Cuando solicite unidades de batería de repuesto, no olvide indicar el número de catálogo y el voltaje. Consulte la tabla al final de este manual para ver la compatibilidad entre cargadores y unidades de batería.

La unidad de batería no viene completamente cargada de fábrica. Antes de usar la unidad de batería y el cargador, lea las siguientes instrucciones de seguridad. Luego, siga los procedimientos de carga indicados.

LEA TODAS LAS INSTRUCCIONES

- No cargue o use la batería en atmósferas explosivas, como en presencia de líquidos, gases o polvos inflamables.** Puede que al insertar o sacar la batería del cargador se inflamen el polvo o los gases.
- NUNCA fuerce la unidad de batería para que entre en el cargador. NO modifique la unidad de batería en ninguna forma para que entre en un cargador no compatible, pues puede producir una ruptura en la unidad de batería y causar lesiones corporales graves.** Consulte la tabla al final de este manual para ver la compatibilidad entre baterías y cargadores.
- Cargue las unidades de batería sólo en cargadores DEWALT.
- NO salpique con ni sumerja en agua u otros líquidos.**
- No guarde ni use la herramienta y unidad de batería en lugares donde la temperatura pueda alcanzar o superar los 40 °C (105 °F), tales como cobertizos o construcciones de metal durante el verano).**

⚠PELIGRO: Riesgo de electrocución. Nunca intente abrir el paquete de baterías por ningún motivo. Si la caja del paquete de baterías está

agrietada o dañada, no la introduzca en el cargador. No comprima, deje caer ni dañe el paquete de baterías. No utilice un paquete de baterías o un cargador que haya recibido un golpe fuerte, se haya caído, esté agotado o dañado de alguna forma (por ejemplo, perforado con un clavo, golpeado con un martillo, pisado). Esto puede provocar descargas eléctricas o electrocución. Los paquetes de baterías dañados deben devolverse al centro de mantenimiento para su reciclado.

NOTA: Se proveen tapas para almacenamiento y transporte de las baterías, para utilizar siempre cuando la batería esté fuera de la herramienta o del cargador. Retire la tapa antes de colocar la batería en el cargador o en la herramienta.



⚠ADVERTENCIA: Riesgo de incendio. No guarde o transporte la batería de ninguna manera que permita que los terminales expuestos de la batería entren en contacto con objetos metálicos. Por ejemplo, no coloque la batería en delantales, bolsillos, cajas de herramientas, cajas de juegos de productos, cajones, etc., con clavos, llaves, tornillos sueltos, etc. sin la tapa. **Transportar baterías puede provocar incendios si los terminales de la batería entran en contacto accidentalmente con materiales conductores como llaves, monedas, herramientas de mano u objetos similares.** Las Normas para Materiales Peligrosos del Departamento de Transporte de los EE.UU. (HMR) concretamente prohíben transportar baterías comercialmente o en aviones (es decir, empacadas en maletas y equipaje de mano) A MENOS que estén debidamente protegidas de cortocircuitos. Por lo tanto, cuando transporte baterías individuales, asegúrese de que los terminales de la batería estén protegidos y bien aislados de materiales que puedan hacer contacto y causar un cortocircuito.

INSTRUCCIONES DE SEGURIDAD ESPECÍFICAS PARA BATERÍAS DE NÍQUEL CADMIO (NiCd) O HIDRURO METÁLICO DE NÍQUEL (NiMH)

- **No incinere el paquete de baterías, aun si tiene daños importantes o está completamente desgastado.** El paquete de baterías puede explotar en el fuego.
- **Una pequeña pérdida de líquido de las celdas del paquete de baterías puede presentarse en condiciones de uso o temperatura extremas.** Esto no indica una falla.

Sin embargo, si el sello externo está roto:

- a. y el líquido de la batería entra en contacto con su piel, lávese inmediatamente con agua y jabón durante varios minutos.
- b. y el líquido de la batería entra en contacto con sus ojos, lávelos con agua limpia durante al menos 10 minutos y busque atención médica inmediatamente. **(Nota médica:** el líquido es una solución de hidróxido de potasio al 25%–35%).

INSTRUCCIONES DE SEGURIDAD ESPECÍFICAS PARA BATERÍAS DE IONES DE LITIO (Li-Ion)

- **NO incinere la unidad de batería, aunque esté completamente dañada o descargada. La unidad de batería puede explotar si se quema.** Cuando se queman unidades de batería de iones de litio, se producen gases y materiales tóxicos.
- **Si el contenido de la batería entra en contacto con la piel, lave el área de inmediato con agua y un jabón suave.** Si el líquido de la batería entra en contacto con sus ojos, enjuáguelos con agua y los ojos abiertos por 15 minutos o hasta que cese la irritación. Si se requiere de asistencia médica, el electrolito de la batería está compuesto por una mezcla de carbonatos orgánicos líquidos y sales de litio.

- **El contenido de los elementos abiertos de la batería puede causar irritación en el tracto respiratorio.** Salga al aire fresco. Si los síntomas persisten, busque asistencia médica.

⚠️ ADVERTENCIA: Peligro de quemaduras. El líquido de la batería puede ser inflamable si se expone a chispas o llamas.

El sello RBRC™

El sello RBRC™ (Rechargeable Battery Recycling Corporation) en las baterías (o unidades de batería) de níquel cadmio, níquel e hidruro metálico o de iones de litio indica que el costo de reciclaje de estas baterías (o unidades de batería) al llegar al final de su vida de servicio ya ha sido pagado por DEWALT. En algunas áreas, es ilegal depositar baterías de níquel cadmio, níquel e hidruro metálico o de iones de litio gastadas en la basura o la corriente de residuos sólidos urbanos; el programa RBRC proporciona una alternativa ecológica.

RBRC™, en cooperación con DEWALT y otros usuarios de baterías, han establecido programas en los Estados Unidos y Canadá para facilitar la recolección de baterías de níquel cadmio, níquel e hidruro metálico o de iones de litio gastadas. Al llevar sus baterías de níquel cadmio, níquel e hidruro metálico y de iones de litio gastadas a un centro de servicio autorizado por DEWALT o al minorista local para que sean recicladas, ayuda a proteger el medio ambiente y a conservar recursos naturales. También puede comunicarse con el centro de reciclaje de su localidad para mayor información sobre dónde llevar sus baterías gastadas.

RBRC™ es una marca comercial registrada de Rechargeable Battery Recycling Corporation.



Instrucciones importantes de seguridad para todos los cargadores de baterías

GUARDE ESTAS INSTRUCCIONES: Este manual contiene instrucciones de seguridad y operación importantes para los cargadores de baterías.

- Antes de usar el cargador, lea todas las instrucciones y advertencias que se encuentren en el cargador, la unidad de batería y el producto que usa la unidad de batería.

⚠️ PELIGRO: riesgo de electrocución. Hay 120 voltios en los terminales de carga. No realice pruebas con objetos conductores. Esto puede provocar descargas eléctricas o electrocución.

⚠️ ADVERTENCIA: peligro de descarga eléctrica. No permita que ningún líquido se introduzca en el cargador. Puede producir descargas eléctricas.

⚠️ ATENCIÓN: peligro de quemaduras. Para reducir el riesgo de lesiones, sólo cargue baterías recargables marca DEWALT. Otros tipos de baterías pueden estallar y causar así lesiones corporales y daños.

AVISO: bajo ciertas condiciones, cuando el cargador está enchufado a una toma de corriente, los contactos de carga expuestos dentro del cargador pueden hacer cortocircuito si entra en contacto con algún material ajeno. Los materiales ajenos conductores por naturaleza, tales como, pero sin limitarse a, el polvo del esmerilado, las virutas metálicas, la lana de acero, el papel de aluminio o cualquier acumulación de partículas metálicas deberían mantenerse alejados de las cavidades del cargador. Desenchufe siempre el cargador de la toma de corriente cuando no haya una unidad de batería en su cavidad. Desenchufe el cargador antes de intentar limpiarlo.

- **NO intente cargar la unidad de batería con otros cargadores que no sean los descritos en este manual.** El cargador y la unidad de batería fueron específicamente diseñados para trabajar en conjunto.

- **Estos cargadores no fueron diseñados para ser utilizados para más que cargar las baterías recargables DEWALT.** Cualquier otro uso puede producir riesgo de incendios, descargas eléctricas o electrocución.
- **No exponga el cargador a la lluvia o a la nieve.**
- **Tire del enchufe y no del cable cuando desconecte el cargador.** De esta forma se reduce el riesgo de daño al enchufe y cable.
- **Asegúrese de que el cable no sea ubicado de manera que podría ser pisado, causar que alguien tropiece con él o ser expuesto a otro tipo de daños y desgastes.**
- **No use un alargador a menos que sea absolutamente necesario.** El uso de un alargador incorrecto podría producir riesgo de incendios, descargas eléctricas o electrocución.
- **Cuando opere una herramienta eléctrica afuera, use un alargador de exterior.** El uso de un alargador de exterior reduce el riesgo de descarga eléctrica.
- **El cable de extensión deben ser de un calibre apropiado para su seguridad.** Mientras menor sea el calibre del hilo, mayor la capacidad del cable. Es decir, un hilo calibre 16 tiene mayor capacidad que uno de 18. Un cable de un calibre insuficiente causará una caída en la tensión de la línea dando por resultado una pérdida de energía y sobrecalentamiento. Cuando se utilice más de un alargador para completar el largo total, asegúrese que los hilos de cada alargador tengan el calibre mínimo. La tabla siguiente muestra el tamaño correcto a utilizar, dependiendo de la longitud del cable y del amperaje nominal de la placa de identificación. Si tiene dudas sobre cuál calibre usar, use un calibre mayor. Cuanto más pequeño sea el número del calibre, más resistente será el cable.

Calibre mínimo para cables de alimentación						
Amperaje		Voltios	Largo total del cordón en metros (pies)			
		120 V	7,6 (25)	15,2 (50)	30,5 (100)	45,7 (150)
		240 V	15,2 (50)	30,5 (100)	61,0 (200)	91,4 (300)
Más de	No más de	AWG				
0	6		18	16	16	14
6	10		18	16	14	12
10	12		16	16	14	12
12	16		14	12	No recomendado	

- **No coloque ningún objeto encima del cargador ni coloque a este sobre una superficie blanda que pudiera bloquear las ranuras de ventilación y resultar en un calor interno excesivo.** Coloque el cargador en un lugar alejado de cualquier fuente de calor. El cargador se ventila a través de las ranuras que se encuentran en la parte superior e inferior de la caja protectora.
- **No opere el cargador si su cable o enchufe están dañados.**
- **No opere el cargador si ha recibido un golpe agudo, si se ha dejado caer o si ha sido dañado de alguna otra forma.** Llévelo a un centro de servicio autorizado.
- **No desarme el cargador; llévelo a un centro de servicio autorizado cuando deba ser reparado.** Si es reensamblado incorrectamente, puede causar descargas eléctricas, electrocución o incendios.

- **Desenchufe el cargador antes de intentar limpiarlo. Esto reducirá el riesgo de descargas eléctricas.** El retirar el paquete de baterías no reducirá este riesgo.
- **NUNCA** intente conectar dos cargadores entre sí.
- **El cargador está diseñado para operar con una corriente eléctrica estándar residencial de 120 voltios. No intente usarlo con ningún otro voltaje.** Esto no aplica al cargador vehicular.

Utilización del modo Tune-Up™ automático

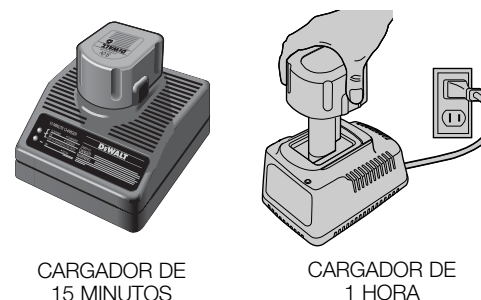
El modo Tune-Up™ automático iguala o equilibra las células individuales en el paquete de baterías de modo que permite que funcione a una capacidad máxima. Los paquetes de baterías deben ajustarse semanalmente o después de 10 ciclos de carga/descarga o siempre que el paquete ya no suministre la misma cantidad de potencia. Para utilizar el Tune-Up™ automático, coloque el paquete de baterías en el cargador y déjelo durante al menos 8 horas. El cargador utilizará los siguientes modos.

1. La luz roja se encenderá y apagará continuamente para indicar que se ha iniciado el ciclo de carga de 1 hora.
2. Cuando el ciclo de carga de 1 hora se complete, la luz permanecerá encendida en forma continua y ya no parpadeará. Esto indica que el paquete está completamente cargado y se puede utilizar en este momento.
3. Si se deja el paquete de baterías en el cargador después del ciclo de carga inicial de 1 hora, el cargador iniciará el modo Tune-Up automático. Este modo continúa hasta 8 horas o hasta que las celdas individuales del paquete de baterías estén igualados. Entonces el paquete de baterías está listo para usar y se puede retirar en cualquier momento durante el modo Tune-up.
4. Una vez que está completo el modo Tune-up, el cargador iniciará una carga de mantenimiento; el indicador rojo quedará encendido.

Cargadores

Su herramienta utiliza un cargador DEWALT. Asegúrese de leer todas las instrucciones de seguridad antes de usar el cargador. Consulte el gráfico al final del manual para conocer la compatibilidad entre los cargadores y los paquetes de baterías.

FIG. 1



CARGADOR DE
15 MINUTOS

CARGADOR DE
1 HORA

Procedimiento de carga (Fig. 1)

⚠PELIGRO: Riesgo de electrocución. Hay 120 voltios en los terminales de carga. No realice pruebas con objetos conductores. Esto puede provocar descargas eléctricas o electrocución.

1. Enchufe el cargador en una toma de corriente apropiada antes de insertar la unidad de batería.
2. Inserte la unidad de batería en el cargador, como se muestra en la Figura 1, comprobando que quede bien colocado dentro del mismo. La luz roja (de carga) parpadeará continuamente para indicar que se ha iniciado el proceso de carga.
3. La luz roja se quedará encendida continuamente cuando se haya completado el proceso de carga. La unidad estará entonces completamente cargada y podrá ser utilizada de inmediato o dejarse en el cargador.

representa ningún problema. Para facilitar el enfriamiento de la unidad de batería después del uso, evite colocar el cargador o la unidad de batería en un lugar cálido, como un cobertizo metálico o un remolque sin aislamiento térmico.

3. Si la unidad de batería no se carga correctamente:
 - a. Verifique el funcionamiento de la toma enchufando una lámpara u otro aparato;
 - b. Revise que la toma de corriente no esté conectada a un interruptor de luz que corte la corriente cuando se corte la luz;
 - c. Mueva el cargador y la unidad de batería a un lugar donde la temperatura ambiental sea aproximadamente 18–24 °C (65–75 °F);
 - d. Si el problema de carga continúa, lleve la herramienta, unidad de batería y el cargador a su centro de servicio local.
4. La unidad de batería debería ser recargada cuando no sea capaz de producir suficiente potencia para trabajos que eran fácilmente realizados antes. NO CONTINÚE usándola bajo estas circunstancias. Siga el procedimiento de carga. También puede cargar una unidad de batería que haya sido usada parcialmente cuando lo desee, sin dañarla.
5. En determinadas condiciones, estando el cargador enchufado en el tomacorriente, algunos materiales extraños pueden provocar un cortocircuito en los contactos de carga expuestos dentro del cargador. Los materiales ajenos conductores por naturaleza, tales como, pero sin limitarse a, el polvo del esmerilado, las virutas metálicas, la lana de acero, el papel de aluminio o cualquier acumulación de partículas metálicas deberían mantenerse alejados de las cavidades del cargador. Desenchufe siempre el cargador de la toma de corriente cuando no haya una unidad de batería en su cavidad. Desenchufe el cargador antes de intentar limpiarlo.

6. No congele ni sumerja el cargador en agua o cualquier otro líquido.

⚠ADVERTENCIA: Peligro de descarga eléctrica. No permita que ningún líquido se introduzca en el cargador. Puede producir descargas eléctricas.

⚠ADVERTENCIA: Peligro de quemaduras. Nunca intente abrir la unidad de batería por ningún motivo. Si la caja plástica de la unidad de batería se triza o rompe, llévela a un centro de servicio para su reciclaje.

Recomendaciones de almacenamiento

1. El mejor lugar de almacenamiento es uno que sea fresco y seco, lejos de la luz solar directa y del exceso de calor o frío.
2. Para resultados óptimos durante tiempos prolongados de almacenamiento, se recomienda almacenar la unidad de batería completamente cargada en un lugar fresco y seco fuera del cargador.

NOTA: Las unidades de batería no deberían almacenarse completamente descargadas. La unidad de batería deberá recargarse antes de ser usada.

GUARDE ESTAS INSTRUCCIONES PARA FUTURAS CONSULTAS

OPERACIÓN

⚠ADVERTENCIA: Para reducir el riesgo de lesiones personales graves, apague la herramienta y retire el paquete de baterías antes de realizar ajustes o de retirar/instalar dispositivos o accesorios. Un arranque accidental podría causar lesiones.

Cómo instalar y retirar la batería (Fig. 2, 3)

¡ATENCIÓN: Antes de quitar o instalar la batería, asegúrese que el botón de bloqueo en off del conmutador (A) esté activado para evitar que el conmutador se active solo.

NOTA: Asegúrese de que la batería esté completamente cargada.

Para instalar la unidad de batería en el mango de la herramienta, alinee la muesca de la parte interior del mango de la herramienta con la unidad de batería y deslícela firmemente en el mango hasta escuchar activarse el seguro, como lo muestra la Figura 2.

Para retirar la unidad de alimentación de la herramienta, presione los botones de liberación (M) y tire firmemente de la unidad de alimentación para sacarla del mango de la herramienta. Insértela en el cargador tal como se describe en la sección del cargador de este manual.

FIG. 2

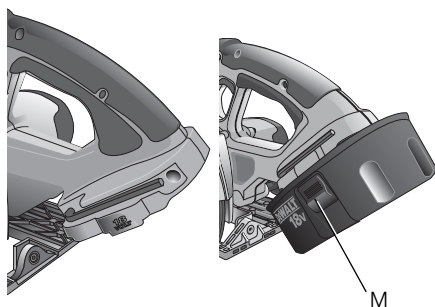
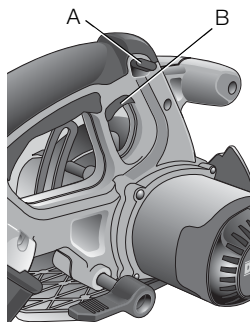


FIG. 3



Conmutador (Fig. 3)

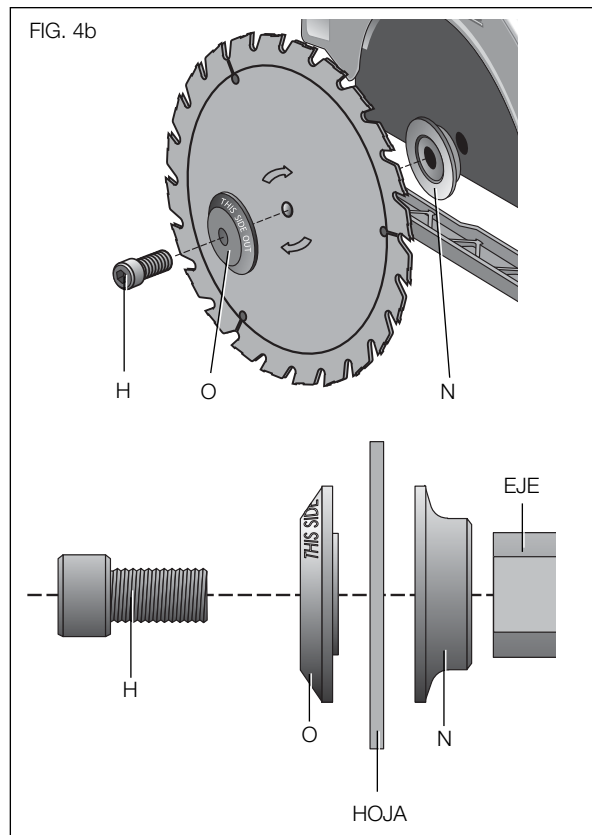
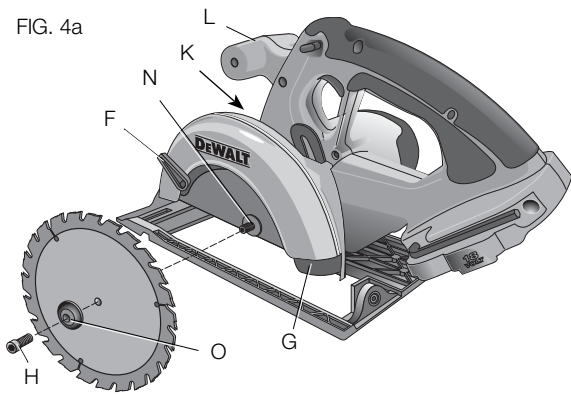
Presione el botón como lo muestra la ilustración (Fig. 3) para soltar el botón de bloqueo en off (apagado) (A). Tire del conmutador tipo gatillo (B) para ENCENDER el motor. Si suelta el conmutador tipo gatillo, el motor se APAGARÁ. Si suelta el conmutador tipo gatillo, también activará automáticamente el botón de bloqueo en off.

NOTA: Esta herramienta no tiene forma de bloquear el conmutador en ON (encendido) y jamás debería ser bloqueado en ON por ningún otro medio.

Cambio de hojas

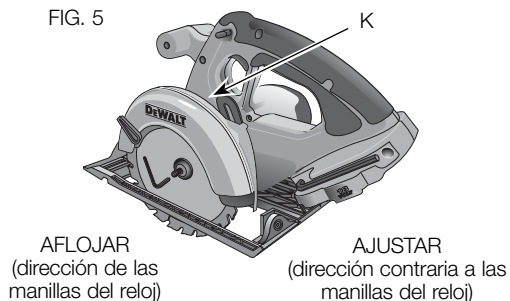
PARA INSTALAR LA HOJA (FIG. 4, 5)

1. Coloque la arandela de fijación interior (N) en el eje de la sierra con la superficie grande y plana mirando hacia la parte de afuera de la hoja (Fig. 4a, 4b).
2. Repliegue el protector inferior de la hoja (G) y ponga la hoja en el eje de la sierra contra la arandela de fijación interior, asegurando que la hoja rote en la dirección correcta (la flecha de rotación en la hoja y los dientes de la sierra debe apuntar en la misma dirección que la flecha de rotación del protector inferior de la hoja). No suponga que la parte impresa de la hoja tenga que estar mirando hacia afuera cuando esté debidamente instalada. Cuando repliegue el protector inferior de la hoja para instalar la hoja, revise la condición y operación del protector inferior de la hoja para asegurar que esté funcionando bien. Asegúrese que se mueva libremente y que no toque la hoja ni cualquiera otra parte de la sierra, en todos los ángulos y profundidades de corte.



3. Coloque la arandela de fijación exterior (O) en el eje de la sierra con la superficie grande y plana contra la hoja con el lado biselado hacia afuera.
4. Inserte el tornillo de fijación de la hoja (H) en el eje de la sierra con la mano (el tornillo tiene hilos en dirección siniestra y debe ser girado en dirección contraria a las manillas del reloj para ser ajustado).
5. Presione el dispositivo de bloqueo de la hoja (K) al girar el eje de la sierra con la llave de la hoja hasta que el dispositivo de bloqueo de la hoja enganche y la hoja deje de rotar (Fig. 5).

FIG. 5



6. Ajuste bien el tornillo de fijación de la hoja con la llave de la hoja.
- NOTA:** Nunca enganche el dispositivo de bloqueo de la hoja con la sierra andando ni trate de bloquear la hoja para detener la herramienta. Nunca encienda la sierra mientras el bloqueo de la hoja esté enganchado. Podría resultar en serios daños a su sierra.

PARA CAMBIAR LA HOJA (FIG. 5)

1. Para soltar el tornillo de fijación de la hoja (H), presione el dispositivo de bloqueo de la hoja (K) y gire el eje de la sierra con la llave de la hoja hasta que el bloqueo de la hoja enganche y la hoja deje de rotar. Con el bloqueo de la hoja enganchado, gire el tornillo

de fijación de la hoja en dirección de las manillas del reloj con la llave de la hoja (el tornillo tiene hilos en dirección siniestra y debe ser girado en dirección de las manillas del reloj para ser aflojado).

2. Quite sólo el tornillo de fijación de la hoja (H) y la arandela de fijación exterior (O). Quite la hoja vieja.
3. Limpie el aserrín que se haya acumulado en el protector o el área de la arandela de fijación y revise la condición y funcionamiento del protector inferior de la hoja como se describe más arriba. No lubrique esta área.
4. Seleccione la hoja correcta para la aplicación (vea Hojas). Siempre use hojas que sean del tamaño correcto (diámetro) con el orificio central del tamaño y la forma apropiados para el montaje en el eje de la sierra. Siempre asegure que la hoja de la sierra alcance o supere la velocidad máxima recomendada (rpm) de la sierra.
5. Siga los pasos 2 a 6 bajo '**Cómo instalar la hoja**', asegurándose que la hoja gire en la dirección correcta.

PROTECTOR INFERIOR DE LA HOJA

⚠ADVERTENCIA: *El protector inferior de la hoja es un rasgo de seguridad que reduce el riesgo de lesiones personales serias. Nunca use la sierra si el protector inferior se ha desprendido, dañado, ha sido mal instalado o no está funcionando debidamente. No se fie del protector inferior de la hoja para que le proteja en toda circunstancia. Su seguridad depende de su cumplimiento con todas las advertencias y precauciones como también del funcionamiento debido de la sierra. Revise el protector inferior para asegurarse que cierre bien antes de cada uso, como se describe en 'Normas adicionales para sierras circulares'. Si el protector inferior de la hoja se ha desprendido o no funciona bien, repare la sierra antes de usarla. La reparación, el mantenimiento y los ajustes al producto deberían ser realizados por un centro de servicio autorizado u otra organización de servicio calificada, usando siempre repuestos originales, para asegurar la seguridad y fiabilidad del producto.*

Hojas

⚠️ADVERTENCIA: Para minimizar el riesgo de lesiones oculares, siempre use protección ocular. El carburo es un material duro pero quebradizo. Si topa con objetos extraños en la pieza de trabajo, tales como alambres o clavos, podría cuartear o quebrar las puntas. Sólo opere la sierra cuando el protector de la hoja esté en su lugar debido. Monte la hoja en forma segura y asegúrese de que rote en la dirección debida antes de usar la sierra y siempre use una hoja limpia y afilada.

⚠️ATENCIÓN: No use esta sierra para cortar metales ferrosos (acero), mampostería, vidrio, u otro tipo de mampostería similar al entarimado, tablas de cemento o baldosas.

No utilice hojas o discos abrasivos. Una hoja roma causará que el corte sea lento y poco eficiente lo cual sobrecargará el motor de la sierra, causará astillado excesivo y podría aumentar la posibilidad de rebote. Por favor remítase a la tabla de la próxima página para determinar el tamaño correcto de la hoja de repuesto de su modelo de sierra.

Hoja	Diámetro	Dientes	Aplicación
DW9155	165 mm	18	Cortes generales
DW9154	165 mm	24	Cortes suaves en madera
DW9153	165 mm	90	No-carburo, cortes en contrachapado/vinilo

Si necesita ayuda en el uso de las hojas por favor llame al 1-800-4-DEWALT (1-800-433-9258).

CONTRAGOLPES

El retroceso es una reacción repentina a una hoja de sierra pellizcada, atascada o desalineada, que hace que una sierra descontrolada se levante y se salga de la pieza de trabajo, hacia el operador. Cuando la hoja se pellizca o se atasca fuertemente al cerrarse la sección de corte, la hoja se para y la reacción del motor impulsa la unidad rápidamente hacia atrás, hacia el operador. Si la hoja se tuerce o se

desalinea en el corte, los dientes ubicados en el borde trasero de la hoja pueden penetrar en la superficie superior de la madera, haciendo que la hoja trepe, se salga de la sección de corte y salte hacia atrás, hacia el operador.

Suelen ocurrir contragolpes cuando se presentan alguna o algunas de las siguientes condiciones:

1. SOPORTE INADECUADO DE LA PIEZA DE TRABAJO

- Caída o levantamiento inadecuado de la pieza que se desprende, lo que hace que el disco quede atrapado.
- Cortes en material que sólo se apoya por los extremos (Fig. 10). Al tiempo que el material se debilita, éste se pandea y cierra el canal de corte, lo que ocasiona que el disco quede atrapado.
- Corte desde la parte inferior de piezas voladas en dirección vertical. La pieza que caerá podría trabar el disco.
- Corte de tiras largas y angostas (como en cortes al hilo). La pieza que se separa puede trabar el disco.
- Sujetar la guarda inferior con una superficie que se encuentre por debajo del material que se está cortando, lo que reduce por un momento el control del operador. La sierra se puede levantar parcialmente del corte, lo que incrementará la posibilidad de un atorón del disco.

2. AJUSTE INCORRECTO DE LA PROFUNDIDAD DE CORTE EN LA SIERRA

Para lograr la máxima efectividad en el corte, la hoja debe sobresalir sólo lo suficiente como para exponer la mitad de un diente (Fig.7). Esto permite que la zapata sostenga la hoja y minimiza las torceduras y la compresión del material.

3. DOBLECES EN EL DISCO (DESVIACIONES EN EL CORTE)

- Empujar demasiado para cortar a través de un nudo, un clavo o un área de fibras duras puede ocasionar que el disco se doble.

- B. Tratar de girar la sierra durante un corte (tratar de regresar a la línea marcada) puede causar doblez.
- C. Se corren los mismo peligros al tratar de alcanzar zonas alejadas u operar la sierra con poco control del operador (fuera de balance).
- D. Se propicia el mismo riesgo al cambiar de mano o cambiar la posición del cuerpo mientras se corta.
- E. También podría suceder así al regresar la unidad para limpiar el disco.

4. MATERIALES QUE REQUIEREN DE MAYOR ATENCION

- A. Madera húmeda.
- B. Madera verde (material cortado recientemente o no estufado).
- C. Madera tratada a presión (material tratado con conservadores o anticorrosivos).

5. EMPLEO DE DISCOS SUCIOS O SIN FILO

Los discos sucios o mellados ocasionan carga excesiva en la sierra. Para compensar la carga, el operador empujará normalmente con más fuerza, lo que incrementará la carga aún más y propiciará que el disco se trabe en el canal de corte. Los discos desgastados pueden tener también una luz menor, lo que aumentará la oportunidad de que el disco se doble e incrementará la carga.

6. LEVANTAR LA SIERRA MIENTRAS SE HACEN CORTES A BISEL

Los cortes a bisel requieren que el operador preste atención especial a las técnicas de corte adecuadas sobre todo a la conducción de la sierra. El ángulo del disco contra la zapata y la gran superficie de la cara del disco expuesta al material aumentan las posibilidades de que ocurran desviaciones.

7. REINICIACION DE UN CORTE CON LOS DIENTES DEL DISCO BLOQUEADOS POR EL MATERIAL

Debe permitirse que la sierra alcance su velocidad máxima antes de iniciar un corte después que la unidad se ha detenido con el disco en el canal de corte. No hacerlo así causará que la sierra se atasque y ocurra contragolpe.

Cualesquiera otras condiciones que pudieran originar atoronos, dobleces, desvíos o presiones en el disco pueden provocar contragolpes. Revise las secciones de ajustes Iniciales y operación para conocer las técnicas que minimizarán la incidencia de contragolpes.

Ajuste de profundidad del corte (Fig. 6, 7)

1. Sostenga la sierra firmemente y afloje (en dirección a las manillas del reloj) el botón de ajuste de profundidad (D) y desplace la base de la sierra para obtener la profundidad de corte deseada.
2. Asegúrese que el botón de ajuste de profundidad se haya vuelto a ajustar (en dirección contraria a las manillas del reloj) antes de usar la sierra.

Cuando use hojas con puntas de carburo, haga una excepción a la regla y sólo deje que proyecte mitad de un diente más allá del material a cortar. Esta distancia va desde la punta del diente a la parte de abajo de la hendidura que le sigue. Esto mantiene la fricción de la hoja a un mínimo, extrae el aserrín del corte y resulta en un serrado más frío y rápido y reduce la posibilidad de rebote. La Figura 7 muestra un método para revisar si la profundidad de corte es la adecuada. Ponga una pieza del material que piensa cortar en el costado de la hoja, como se muestra, y observe cuánto del diente se proyecta más allá del material.

NOTA: Cuando use hojas con puntas de carburo, haga una excepción a la regla y sólo deje que proyecte medio diente más allá del material a cortar.

FIG. 6

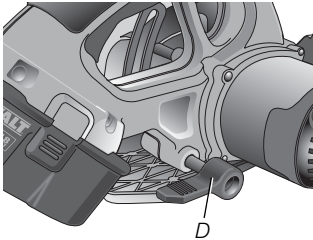
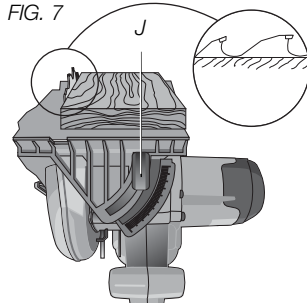


FIG. 7



Ajuste del ángulo de bisel (Fig. 7)

El rango completo de ajustes al bisel va de 0° a 50°. El cuadrante se gradúa en incrementos de 1°. En la parte delantera de la sierra hay un mecanismo de ajuste del ángulo de bisel (Fig. 7) formado por un cuadrante calibrado y un botón (J).

PARA CONFIGURAR LA SIERRA PARA UN CORTE BISELADO

1. Afloje (en dirección contraria a las manillas del reloj) el botón de ajuste de bisel (J) e incline la base de la sierra al ángulo deseado, alineando la punta con la marca del ángulo deseado.
2. Vuelva a ajustar el botón (en dirección de las manillas del reloj).

Ajuste a la base para cortes de 90°

SI SE NECESITA HACER AJUSTES ADICIONALES:

1. Ajuste la sierra a un bisel de 0°.
2. Repliegue el protector de la hoja. Coloque la sierra sobre un costado de la hoja.
3. Afloje el botón de ajuste del bisel. Coloque una escuadra contra la hoja y la base para ajustar la configuración de 90°.

4. Mueva el tornillo de ajuste de modo que la base se detenga en el ángulo apropiado.
5. Revise la rectitud de un corte real en un pedazo de desecho del material para confirmar la precisión de la configuración.

Indicador de la vía del corte

La parte delantera de la base de la sierra tiene un indicador de la vía del corte para cortes verticales y biselados. Este indicador le da la posibilidad de guiar la sierra por líneas de corte dibujadas con lápiz en el material a cortar. El indicador se alinea con el lado izquierdo (exterior) de la hoja de la sierra, el cual hace que la ranura o vía de corte creada por la hoja en movimiento esté a la derecha del indicador. Guíe la sierra sobre la línea de corte trazadas con lápiz de modo que la vía de corte quede al costado del material a ser desechado.

Soporte de la pieza de trabajo (Fig. 8–10)

⚠ ADVERTENCIA: Es importante soportar bien la pieza de trabajo y sostener firmemente la sierra para evitar que se pierda el control lo cual podría resultar en lesiones personales. La Figura 8 ilustra la forma correcta de sostener la sierra con la mano. Sosténgala firmemente y con ambas manos y sitúe su cuerpo y brazo de modo que podría resistir la fuerza del rebote si ocurriese. ¡SIEMPRE APAGUE LA HERRAMIENTA Y DESCONECTE LA UNIDAD DE ALIMENTACIÓN ANTES DE HACER CUALQUIER AJUSTE!

FIG. 8

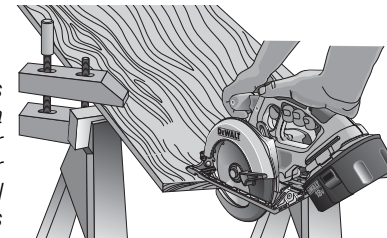


FIG. 9

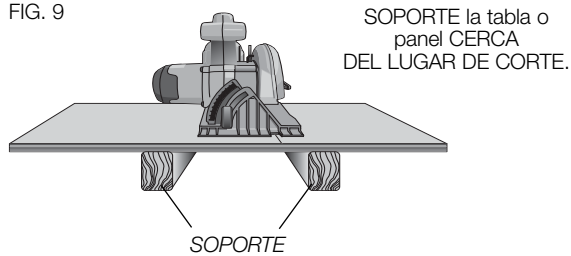
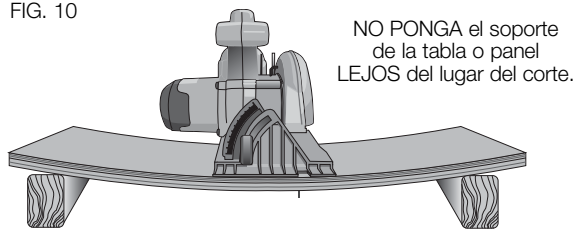


FIG. 10



La Figura 8 ilustra la posición correcta de serrado. Fijese que las manos se mantienen alejadas del área de corte. Para evitar rebote, SOPORTE la tabla o el panel CERCA del corte (Fig. 9). NO soporte la tabla o el panel lejos del corte (Fig. 10).

Ponga la pieza de trabajo con el lado “bueno” – el que se verá – hacia abajo. La sierra corta hacia arriba por lo que el astillado quedará en el lado que está hacia arriba en el momento del corte.

Corte

Ponga la parte más ancha de la base de la sierra en la parte de la pieza de trabajo que está soportada y no en la sección que se caerá

cuando haga el corte. La Figura 8 ilustra la forma CORRECTA de cortar el extremo de una tabla. Siempre use abrazaderas para fijar el material. ¡No intente sujetar piezas más cortas con la mano! Recuerde soportar material sobresaliente. Use precaución cuando corte el material desde abajo.

Asegúrese que la sierra esté funcionando a toda velocidad antes de que la hoja entre en contacto con el material a cortar. El arrancar la sierra con la hoja contra el material a ser cortado o presionada en la vía del corte puede resultar en rebote. Empuje la sierra hacia adelante a una velocidad que permita que la hoja corte sin mucho esfuerzo. El grado de dureza puede variar aun en la misma pieza de material y algunas secciones con más nudos o húmedas pueden ser más difíciles de cortar que otras. Cuando esto suceda, empuje la sierra más lentamente pero con suficiente fuerza para que siga funcionando sin disminuir mucho la velocidad. Si se fuerza la sierra se pueden producir cortes desiguales, imprecisión, rebote y sobrecalentamiento de las puntas de las hojas y/o del motor. Si su corte se empieza a alejar de la línea, no intente forzar la sierra para que vuelva a ella. Suelte el conmutador y permita que la hoja se detenga por completo. Luego saque la sierra, vuelva a colocarla en la mira e inicie un nuevo corte ligeramente dentro del equivocado. De cualquier modo, saque la sierra si debe cambiar de dirección el corte. El forzar una corrección dentro del corte puede hacer que la sierra se detenga y hacer que rebote.

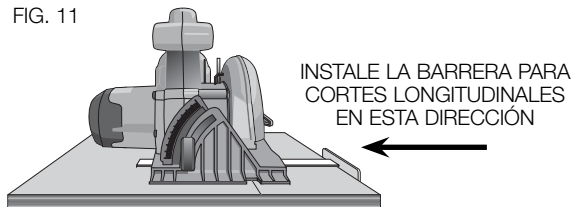
SI LA SIERRA SE DETIENE, SUELTE EL GATILLO Y RETROCEDA LA SIERRA HASTA QUE SE SUELTE. ASEGÚRESE QUE LA HOJA ESTÉ DERECHA EN EL CORTE Y ALEJADA DEL BORDE DEL CORTE ANTES DE VOLVER A EMPEZAR.

Cuando termine el corte, suelte el gatillo y permita que la hoja se detenga por completo antes de levantar la sierra de la pieza de trabajo. Cuando levante la sierra, el protector telescópico con resorte se cerrará automáticamente bajo la hoja. Recuerde que la hoja estará

expuesta hasta que esto ocurra. Nunca ponga las manos debajo de la pieza de trabajo por ningún motivo. Cuando tenga que replegar el protector telescópico manualmente (como cuando inicie cortes centrales de orificio) siempre use la palanca de retracción.

NOTA: Cuando corte tiras delgadas, tenga cuidado de asegurar que las piezas pequeñas que se vayan cortando no queden colgando hacia arriba en la parte interior del protector inferior.

FIG. 11



CORTES LONGITUDINALES (FIG. 11)

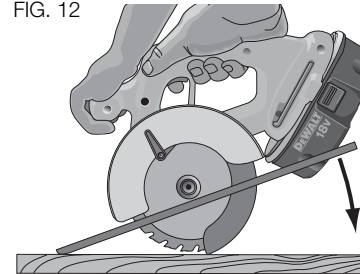
Los cortes longitudinales son realizados para cortar tablas más anchas en tiras más angostas – cortando al hilo. Es más difícil guiar la sierra con la mano cuando realiza este tipo de corte y se recomienda usar una barrera de corte longitudinal.

CORTE CENTRAL O DE ORIFICIO (FIG. 12)

¡ATENCIÓN: Nunca ate el protector de la hoja en la posición elevada. Nunca mueva la sierra hacia atrás cuando haga cortes centrales. Esto podría hacer que la unidad se levante de la superficie de trabajo lo cual podría causar lesiones.

Un corte central es un corte realizado en un piso, una pared u otra superficie plana.

FIG. 12



1. Ajuste la base de la sierra de modo que la hoja corte a la profundidad deseada.
2. Incline la sierra hacia adelante y descance la parte anterior de la base sobre el material a cortar.
3. Con la palanca de retracción, repliegue el protector inferior de la hoja para que quede elevado. Baje la parte posterior de la base hasta que los dientes de hoja estén casi tocando la línea del corte.
4. Suelte el protector de la hoja (su contacto con el material lo mantendrá en una posición y se abrirá libremente cuando empiece el corte). Retire su mano de la palanca del protector y sujete el mando auxiliar con firmeza, como lo muestra la Figura 12. Ponga su cuerpo y brazo de modo que pueda resistir la fuerza de rebote si acaso sucediera.
5. Asegúrese que la hoja no esté en contacto con la superficie de corte antes de arrancar la sierra.
6. Arranque el motor y baje la sierra gradualmente hasta que la base descance completamente plana sobre el material a cortar. Avance la sierra por la línea del corte hasta que el corte se haya completado.

7. Suelte el gatillo y deje que la sierra se detenga por completo antes de sacar la hoja del material.
8. Cuando inicie un corte nuevo, repita lo anterior.

MANTENIMIENTO

⚠ ADVERTENCIA: Para reducir el riesgo de lesiones personales graves, apague la herramienta y retire el paquete de baterías antes de realizar ajustes o de retirar/instalar dispositivos o accesorios. Un arranque accidental podría causar lesiones.

Limpieza

⚠ ADVERTENCIA: Sople la suciedad y el polvo de todos los conductos de ventilación con aire seco, al menos una vez por semana. Para reducir el riesgo de lesiones, utilice siempre protección para los ojos aprobada ANSI Z87.1 al realizar esta tarea.

⚠ ADVERTENCIA: Nunca utilice solventes ni otros químicos abrasivos para limpiar las piezas no metálicas de la herramienta. Estos productos químicos pueden debilitar los materiales plásticos utilizados en estas piezas. Utilice un paño humedecido sólo con agua y jabón neutro. Nunca permita que penetre líquido dentro de la herramienta ni sumerja ninguna de las piezas en un líquido.

INSTRUCCIONES DE LIMPIEZA DEL CARGADOR

⚠ ADVERTENCIA: Riesgo de descarga eléctrica. Desconecte el cargador del tomacorriente de CA antes de limpiarlo. Se puede usar un paño o un cepillo suave, que no sea metálico, para quitar la suciedad y la grasa de la parte externa del cargador. No use agua ni cualquier otra solución de limpieza.

Lubricación

La herramienta usa rodamientos autolubrificantes y no requieren ser relubricados. Sin embargo, sí se recomienda que una vez al año lleve o envíe la herramienta a un centro de servicio autorizado para una limpieza, inspección y lubricación a fondo del cárter.

Accesorios

⚠ ADVERTENCIA: Debido a que no se han probado con este producto otros accesorios que no sean los que ofrece DEWALT., el uso de dichos accesorios con esta herramienta podría ser peligroso. Para reducir el riesgo de lesiones, con este producto deben usarse sólo los accesorios recomendados por DEWALT.

Los accesorios que se recomiendan para utilizar con la herramienta están disponibles a un costo adicional en su distribuidor local o en un centro de mantenimiento autorizado. Si necesita ayuda para localizar algún accesorio, póngase en contacto con DEWALT Industrial Tool Co., 701 East Joppa Road, Baltimore, MD 21286, llame al 1-800-4-DEWALT (1-800-433-9258) o visite nuestro sitio web: www.dewalt.com.

Reparaciones

El cargador y las unidades de batería no pueden ser reparados. Para asegurar la SEGURIDAD y la CONFIABILIDAD del producto, las reparaciones, el mantenimiento y los ajustes deben (inclusive inspección y cambio de carbones) ser realizados en un centro de mantenimiento en la fábrica DEWALT, en un centro de mantenimiento autorizado DEWALT u por otro personal de mantenimiento calificado. Utilice siempre piezas de repuesto idénticas.

PARA REPARACIÓN Y SERVICIO DE SUS HERRAMIENTAS ELÉCTRICAS, FAVOR DE DIRIGIRSE AL CENTRO DE SERVICIO MÁS CERCANO

CULIACAN, SIN

Blvd. Emiliano Zapata 5400-1 Poniente
Col. San Rafael

(667) 717 89 99

GUADALAJARA, JAL

Av. La Paz #1779 - Col. Americana Sector Juárez

(33) 3825 6978

Español

MEXICO, D.F.

Eje Central Lázaro Cárdenas No. 18
Local D, Col. Obrera

(55) 5588 9377

MERIDA, YUC

Calle 63 #459-A - Col. Centro

(999) 928 5038

MONTERREY, N.L.

Av. Francisco I. Madero 831 Poniente - Col. Centro (818) 375 23 13

PUEBLA, PUE

17 Norte #205 - Col. Centro

(222) 246 3714

QUERETARO, QRO

Av. San Roque 274 - Col. San Gregorio

(442) 2 17 63 14

SAN LUIS POTOSI, SLP

Av. Universidad 1525 - Col. San Luis

(444) 814 2383

TORREON, COAH

Blvd. Independencia, 96 Pte. - Col. Centro

(871) 716 5265

VERACRUZ, VER

Prolongación Díaz Mirón #4280 - Col. Remes

(229) 921 7016

VILLAHERMOSA, TAB

Constitución 516-A - Col. Centro

(993) 312 5111

PARA OTRAS LOCALIDADES:

Si se encuentra en México, por favor llame al (55) 5326 7100

**Si se encuentra en U.S., por favor llame al
1-800-433-9258 (1-800 4-DEWALT)**

Póliza de Garantía

IDENTIFICACIÓN DEL PRODUCTO:

Sello o firma del Distribuidor.

Nombre del producto: _____ Mod./Cat.: _____

Marca: _____ Núm. de serie: _____

(Datos para ser llenados por el distribuidor)

Fecha de compra y/o entrega del producto: _____

Nombre y domicilio del distribuidor donde se adquirió el producto: _____

Este producto está garantizado por un año a partir de la fecha de entrega, contra cualquier defecto en su funcionamiento, así como en materiales y mano de obra empleados para su fabricación. Nuestra garantía incluye la reparación o reposición del producto y/o componentes sin cargo alguno para el cliente, incluyendo mano de obra, así como los gastos de transportación razonablemente erogados derivados del cumplimiento de este certificado.

Para hacer efectiva esta garantía deberá presentar su herramienta y esta póliza sellada por el establecimiento comercial donde se adquirió el producto, de no contar con ésta, bastará la factura de compra.

EXCEPCIONES

Esta garantía no será válida en los siguientes casos:

- Cuando el producto se hubiese utilizado en condiciones distintas a las normales;
- Cuando el producto no hubiese sido operado de acuerdo con el instructivo de uso que se acompaña;
- Cuando el producto hubiese sido alterado o reparado por personas distintas a las enlistadas al final de este certificado.

Anexo encontrará una relación de sucursales de servicio de fábrica, centros de servicio autorizados y franquiciados en la República Mexicana, donde podrá hacer efectiva su garantía y adquirir partes, refacciones y accesorios originales.

Registro en línea

Gracias por su compra. Registre su producto ahora para:

- **SERVICIO EN GARANTÍA:** Si completa esta tarjeta, podrá obtener un servicio en garantía más eficiente, en caso de que exista un problema con su producto.

- **CONFIRMACIÓN DE PROPIEDAD:** En caso de una pérdida que cubra el seguro, como un incendio, una inundación o un robo, el registro de propiedad servirá como comprobante de compra.
- **PARA SU SEGURIDAD:** Si registra el producto, podremos comunicarnos con usted en el caso improbable que se deba enviar una notificación de seguridad conforme a la Federal Consumer Safety Act (Ley Federal de Seguridad de Productos para el Consumidor).

Registro en línea en www.dewalt.com/register.

Garantía limitada por tres años

DEWALT reparará, sin cargo, cualquier falla que surja de defectos en el material o la fabricación del producto, por hasta tres años a contar de la fecha de compra. Esta garantía no cubre fallas de las piezas causadas por su desgaste normal o abuso a la herramienta. Para mayores detalles sobre la cobertura de la garantía e información acerca de reparaciones realizadas bajo garantía, visítenos en www.dewalt.com o diríjase al centro de servicio más cercano. Esta garantía no aplica a accesorios o a daños causados por reparaciones realizadas o intentadas por terceros. Esta garantía le otorga derechos legales específicos, además de los cuales puede tener otros dependiendo del estado o la provincia en que se encuentre.

Además de la garantía, las herramientas DEWALT están cubiertas por:

1 AÑO DE SERVICIO GRATUITO

DEWALT mantendrá la herramienta y reemplazará las piezas gastadas por su uso normal, sin cobro, en cualquier momento durante un año a contar de la fecha de compra. Los artículos gastados por la clavadora, tales como la unidad de hoja y retorno del impulsador, no están cubiertas.

2 AÑOS DE SERVICIO GRATUITO PARA UNIDADES DE ALIMENTACIÓN DEWALT

DC9071, DC9091, DC9096, DC9182, DC9280, DC9360, DC9180, DCB120, DCB127, DCB201, DCB203 y DCB207

3 AÑOS DE SERVICIO GRATUITO PARA UNIDADES DE ALIMENTACIÓN DEWALT

DCB200, DCB204, DCB205

UNIDADES DE BATERÍA DEWALT

La garantía del producto quedará nula si la unidad de batería ha sido alterada de cualquier manera. DEWALT no es responsable de ninguna lesión causada por alteraciones y podría iniciar un procedimiento judicial por fraude de garantía hasta el máximo grado permisible por la ley.

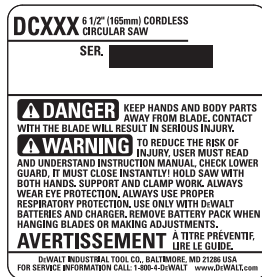
GARANTÍA DE REEMBOLSO DE SU DINERO POR 90 DÍAS

Si no está completamente satisfecho con el desempeño de su máquina herramienta, láser o clavadora DEWALT, cualquiera sea el motivo, podrá devolverlo hasta 90 días de la fecha de compra con su recibo y obtener el reembolso completo de su dinero – sin necesidad de responder a ninguna pregunta.

AMÉRICA LATINA: Esta garantía no se aplica a los productos que se venden en América Latina. Para los productos que se venden en América Latina, debe consultar la información de la garantía específica del país que viene en el empaque, llamar a la compañía local o visitar el sitio Web a fin de obtener esa información.

Español

REEMPLAZO GRATUITO DE LAS ETIQUETAS DE ADVERTENCIAS: Si sus etiquetas de advertencia se vuelven ilegibles o faltan, llame al 1-800-433-9258 (1-800-4-DEWALT) para que se le reemplacen gratuitamente.



ESPECIFICACIONES

DC390	18 volts	3 700 rpm
DCS392	18 volts	3 700 rpm

SOLAMENTE PARA PROPÓSITO DE MÉXICO:
IMPORTADO POR: DEWALT INDUSTRIAL TOOL CO. S.A. DE C.V.
AVENIDA ANTONIO DOVALI JAIME, # 70 TORRE B PISO 9
COLONIA LA FE, SANTA FÉ
CÓDIGO POSTAL : 01210
DELEGACIÓN ALVARO OBREGÓN
MÉXICO D.F.
TEL. (52) 555-326-7100
R.F.C.: BDE810626-1W7

Para servicio y ventas consulte
"HERRAMIENTAS ELECTRICAS"
en la sección amarilla.



Español







DEWALT Battery and Charger Systems																												
		Chargers/Charge Time (Minutes) – Chargeurs/Durée de charge (Minutes) – Cargadores de baterías/Tiempo de carga (Minutos)																										
Battery Cat #	Output Voltage	120 Volts																		12 Volts								
		DC011	DC022	DC9000	DC9310	DC9320	DCB095	DCB100	DCB101	DCB102	DCB103	DCB106	DCB107	DCB112	DW911	DW9106	DW9107	DW9108	DW9116	DW9117	DW9118	DW9216	DW9226	DW0246	DCB119	DW0249	DW9109	DC9319
DC9360	36	X	X	45	X	X	X	X	X	X	X	X	X	X	X	X	X	X	X	X	X	X	X	X	X	X	X	X
DCB361	36	X	X	45	X	X	X	X	X	X	X	X	X	X	X	X	X	X	X	X	X	X	X	X	X	X	X	X
DC9280	28	X	X	60	X	X	X	X	X	X	X	X	X	X	X	X	X	X	X	X	X	X	X	X	X	X	X	X
DW0242	24	X	X	X	X	X	X	X	X	X	X	X	X	X	X	X	X	X	X	X	X	X	60	X	60	X	X	
DCB200	20	X	X	X	X	X	X	X	60	60	60	140	140	90	X	X	X	X	X	X	X	X	X	X	90	X	X	
DCB201	20	X	X	X	X	X	X	X	30	30	30	70	70	45	X	X	X	X	X	X	X	X	X	X	45	X	X	
DCB203	20	X	X	X	X	X	X	X	35	35	35	90	90	60	X	X	X	X	X	X	X	X	X	X	60	X	X	
DCB204	20	X	X	X	X	X	X	X	70	70	70	185	185	120	X	X	X	X	X	X	X	X	X	X	120	X	X	
DCB205	20	X	X	X	X	X	X	X	90	90	90	240	240	150	X	X	X	X	X	X	X	X	X	X	150	X	X	
DCB207	20	X	X	X	X	X	X	X	30	30	30	60	60	40	X	X	X	X	X	X	X	X	X	X	X	X	X	
DC9096	18	60	60	X	60	60	X	X	X	60	X	X	X	60	X	X	60	60	20	X	60	130	X	X	X	60	60	
DC9099	18	45	45	X	45	45	X	X	X	45	X	X	X	45	X	X	45	45	15	X	45	95	X	X	X	45	45	
DC9180	18	X	X	X	60	60	X	X	X	60	X	X	X	X	X	X	X	X	X	X	X	X	X	X	X	X	60	
DC9181	18	X	X	X	30	30	X	X	X	30	X	X	X	X	X	X	X	X	X	X	X	X	X	X	X	X	30	
DC9182	18	X	X	X	40	40	X	X	X	40	X	X	X	X	X	X	X	X	X	X	X	X	X	X	X	X	40	
DW9096	18	60	60	X	60	60	X	X	X	60	X	X	X	60	X	X	60	60	20	X	60	130	X	X	X	60	60	
DW9098	18	30	30	X	30	30	X	X	X	30	X	X	X	30	X	X	30	30	12	X	30	60	X	X	X	30	30	
DW9099	18	45	45	X	45	45	X	X	X	45	X	X	X	45	X	X	45	45	15	X	45	95	X	X	X	45	45	
DC9091	14.4	60	60	X	60	60	X	X	X	60	X	X	X	60	60	60	60	20	115	60	115	X	X	X	60	60		
DC9094	14.4	45	45	X	45	45	X	X	X	45	X	X	X	45	60	45	45	45	15	90	45	90	X	X	X	45	45	
DW9091	14.4	45	45	X	45	45	X	X	X	45	X	X	X	45	60	45	45	45	15	90	45	90	X	X	X	45	45	
DW9094	14.4	30	30	X	30	30	X	X	X	30	X	X	X	30	45	30	30	30	12	60	30	60	X	X	X	30	30	
DCB120	12	X	X	X	X	X	X	40	30	30	30	X	60	45	X	X	X	X	X	X	X	X	X	45	X	X	X	
DCB127	12	X	X	X	X	X	X	X	35	35	35	X	60	60	X	X	X	X	X	X	X	X	X	60	X	X	X	
DC9071	12	60	60	X	60	60	X	X	X	60	X	X	X	60	90	60	60	60	20	115	60	115	X	X	X	60	60	
DW9050	12	X	X	X	X	X	X	X	X	X	X	X	X	40	X	X	X	X	X	X	X	X	X	X	X	X	X	
DW9071	12	45	45	X	45	45	X	X	X	45	X	X	X	45	60	45	45	45	15	90	45	90	X	X	X	45	45	
DW9072	12	30	30	X	30	30	X	X	X	30	X	X	X	30	45	30	30	30	12	60	30	60	X	X	X	30	30	
DW9048	9.6	X	X	X	X	X	X	X	X	X	X	X	X	40	X	X	X	X	X	X	X	X	X	X	X	X	X	
DW9061	9.6	45	45	X	45	45	X	X	X	45	X	X	X	45	60	45	45	45	15	90	45	90	X	X	X	45	45	
DW9062	9.6	30	30	X	30	30	X	X	X	30	X	X	X	30	45	30	30	30	12	60	30	60	X	X	X	30	30	
DCB080	8	X	X	X	X	X	60	X	X	X	X	X	X	X	X	X	X	X	X	X	X	X	X	X	X	X	X	
DW9057	7.2	30	30	X	30	30	X	X	X	X	30	X	X	30	45	30	30	30	12	60	30	60	X	X	X	30	30	

"X" Indicates that the battery pack is not compatible with that specific charger.
 "X" indique que le bloc-piles n'est pas compatible avec ce chargeur.
 Una "X" indica que el paquete de baterías no es compatible con ese determinado cargador.

All charge times are approximate. Actual charge time may vary. Read the instruction manual for more specific information.
 Les durées de charge sont approximatives; la durée de charge réelle peut varier. Lire le manuel d'utilisation pour obtenir des renseignements plus précis.
 El tiempo de duración de carga es aproximado; la duración de carga real puede variar. Lea el manual de instrucciones para obtener información más precisa.

DEWALT Industrial Tool Co., 701 Joppa Road, Baltimore, MD 21286
 (MAY14) Part No. N399717 DC390, DCS392 Copyright © 2005, 2006, 2008, 2009, 2010, 2012, 2013, 2014 DEWALT
 The following are trademarks for one or more DEWALT power tools: the yellow and black color scheme; the "D" shaped air intake grill; the array of pyramids on the handgrip; the kit box configuration; and the array of lozenge-shaped humps on the surface of the tool.