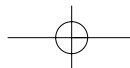


D_EWALT Industrial Tool Co., 701 East Joppa Road, Baltimore, MD 21286 (JAN03-1) Form No. 582429-00
D25500, D25550, D25600, D25650, D25551, D25830, D25850 Copyright © 2002

The following are trademarks for one or more D_EWALT power tools: the yellow and black color scheme; the “D” shaped air intake grill; the array of pyramids on the handgrip; the kit box configuration; and the array of lozenge-shaped humps on the surface of the tool.



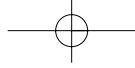
Questions? See us on the World Wide Web at www.dewalt.com

**INSTRUCTION MANUAL
GUIDE D'UTILISATION
MANUAL DE INSTRUCCIONES**

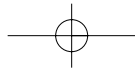
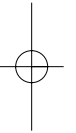
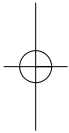
INSTRUCTIVO DE OPERACIÓN, CENTROS DE SERVICIO Y PÓLIZA DE GARANTÍA. **ADVERTENCIA:** LÉASE ESTE INSTRUCTIVO ANTES DE USAR EL PRODUCTO.

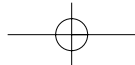
DEWALT®

**D25500, D25550, D25600, D25650, D25551, D25830, D25850
Rotary Hammers
Perceuses rotatives
Rotomartillos**



English





Important Safety Instructions

⚠ WARNING: Read and understand all instructions. Failure to follow all instructions listed below, may result in electric shock, fire and /or serious personal injury.

SAVE THESE INSTRUCTIONS

WORK AREA

- ⚠ **Keep your work area clean and well lit.** Cluttered benches and dark areas invite accidents.
- ⚠ **Do not operate power tools in explosive atmospheres, such as in the presence of flammable liquids, gases, or dust.** Power tools create sparks which may ignite the dust or fumes.
- ⚠ **Keep bystanders, children, and visitors away while operating a power tool.** Distractions can cause you to lose control.

ELECTRICAL SAFETY

- ⚠ **Grounded tools must be plugged into an outlet properly installed and grounded in accordance with all codes and ordinances. Never remove the grounding prong or modify the plug in any way. Do not use any adapter plugs.** Check with a qualified electrician if you are in doubt as to whether the outlet is properly grounded. If the tools should electrically malfunction or break down, grounding provides a low resistance path to carry electricity away from the user. Applicable only to Class I (Grounded) tools.
- ⚠ **Double insulated tools are equipped with a polarized plug (one blade is wider than the other.)** This plug will fit in a polarized outlet only one way. If the plug does not fit fully in the outlet, reverse the plug. If it still does not fit, contact a qualified electrician to install a polarized outlet. Do not change the plug in any way. Double Insulation eliminates the need for the three wire grounded power cord and grounded power supply system. Applicable only to Class II tools.
- ⚠ **Avoid body contact with grounded surfaces such as pipes, radiators, ranges and refrigerators.** There is an increased risk of

electric shock if your body is grounded.

- ⚠ **Don't expose power tools to rain or wet conditions.** Water entering a power tool will increase the risk of electric shock. Other liquids, such as perspiration, present the same hazard.
- ⚠ **Do not abuse the cord. Never use the cord to carry the tools or pull the plug from an outlet.** Keep cord away from heat, oil, sharp edges or moving parts. Replace damaged cords immediately. Damaged cords increase the risk of electric shock.
- ⚠ **When operating a power tool outside, use an outdoor extension cord marked "W-A" or "W."** These cords are rated for outdoor use and reduce the risk of electric shock. When using an extension cord, be sure to use one heavy enough to carry the current your product will draw. An undersized cord will cause a drop in line voltage resulting in loss of power and overheating. The following table shows the correct size to use depending on cord length and nameplate ampere rating. If in doubt, use the next heavier gage. The smaller the gage number, the heavier the cord.

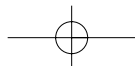
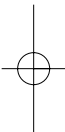
Minimum Gage for Cord Sets

Volts		Total Length of Cord in Feet			
120V	0-25	26-50	51-100	101-150	
240V	0-50	51-100	101-200	201-300	
Ampere Rating		AWG			
More Than	Not more Than				
10	- 12	16	16	14	12
12	- 16	14	12	Not Recommended	

PERSONAL SAFETY

- ⚠ **Stay alert, watch what you are doing and use common sense when operating a power tool. Do not use tool while tired or under the influence of drugs, alcohol, or medication.** A moment of inattention while operating power tools may result in serious personal injury.
- ⚠ **Dress properly. Do not wear loose clothing or jewelry. Contain long hair.** Keep your hair, clothing, and gloves away from moving

English



parts. Loose clothes, jewelry, or long hair can be caught in moving parts. Air vents may cover moving parts and should be avoided as well.

- ⚠ **Avoid accidental starting.** Be sure switch is off before plugging in. Carrying tools with your finger on the switch or plugging in tools that have the switch on invites accidents.
- ⚠ **Remove adjusting keys or wrenches before turning the tool on.** A wrench or a key that is left attached to a rotating part of the tool may result in personal injury.
- ⚠ **Do not overreach. Keep proper footing and balance at all times.** Proper footing and balance enables better control of the tool in unexpected situations.
- ⚠ **Use safety equipment. Always wear eye protection.** Dust mask, non-skid safety shoes, hard hat, or hearing protection must be used for appropriate conditions.

TOOL USE AND CARE

- ⚠ **Use clamps or other practical way to secure and support the workpiece to a stable platform.** Holding the work by hand or against your body is unstable and may lead to loss of control.
- ⚠ **Do not force tool.** Use the correct tool for your application. The correct tool will do the job better and safer at the rate for which it is designed.
- ⚠ **Do not use tool if switch does not turn it on or off.** Any tool that cannot be controlled with the switch is dangerous and must be repaired.
- ⚠ **Disconnect the plug from the power source before making any adjustments, changing accessories, or storing the tool.** Such preventive safety measures reduce the risk of starting the tool accidentally.
- ⚠ **Store idle tools out of reach of children and other untrained persons.** Tools are dangerous in the hands of untrained users.
- ⚠ **Maintain tools with care.** Keep cutting tools sharp and clean. Properly maintained tools, with sharp cutting edges are less likely to bind and are easier to control.

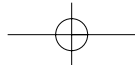
- ⚠ **Check for misalignment or binding of moving parts, breakage of parts, and any other condition that may affect the tools operation.** If damaged, have the tool serviced before using. Many accidents are caused by poorly maintained tools.
- ⚠ **Use only accessories that are recommended by the manufacturer for your model.** Accessories that may be suitable for one tool, may become hazardous when used on another tool.
- ⚠ **Keep air vents clear of debris.** Reduced air flow may cause the motor to overheat.

SERVICE

- ⚠ **Tool service must be performed only by qualified repair personnel.** Service or maintenance performed by unqualified personnel could result in a risk of injury.
- ⚠ **When servicing a tool, use only identical replacement parts.** Follow instructions in the Maintenance section of this manual. Use of unauthorized parts or failure to follow maintenance instructions may create a risk of electric shock or injury.

Additional Safety Instructions for Rotary Hammers

- ⚠ **Hold tool by insulated gripping surfaces (side handle and rear handles) when performing an operation where the cutting tool may contact hidden wiring or its own cord.** Contact with a "live" wire will make exposed metal parts of the tool "live" and shock the operator. Be certain that the material being drilled does not conceal electric or gas service and that their locations have been verified with the utility companies.
- ⚠ **Wear ear protectors when using the tool for extended periods.** Prolonged exposure to high intensity noise can cause hearing loss.
- ⚠ **Always use the side handle supplied with the tool. Keep a firm grip on the tool at all times. Do not attempt to operate this tool without holding it with both hands.** Operating this tool with one hand will result in loss of control. Breaking through or encountering hard materials such as re-bar may be hazardous as well. Tighten the side handle securely before use.



- ⚠ **Wear safety goggles or other eye protection.** Hammering operations cause chips to fly. Flying particles can cause permanent eye damage. Wear a dust mask or respirator for applications that generate dust. Ear protection may be required for most applications.
 - ⚠ **Keep a firm grip on the tool at all times. Do not attempt to operate this tool without holding it with both hands.** It is recommended that the side handle be used at all times. Operating this tool with one hand will result in loss of control. Breaking through or encountering hard materials such as re-bar may be hazardous as well.
 - ⚠ **Do not operate this tool for long periods of time.** Vibration caused by hammer action may be harmful to your hands and arms. Use gloves to provide extra cushion and limit exposure by taking frequent rest periods.
 - ⚠ **Do not recondition bits yourself.** Chisel reconditioning should be done by an authorized specialist. Improperly reconditioned chisels could cause injury.
 - ⚠ **Wear gloves when operating tool or changing bits.** Accessible metal parts on the tool and bits may get extremely hot during operation. Small bits of broken material may damage bare hands.
 - ⚠ **Never lay the tool down until the bit has come to a complete stop.** Moving bits could cause injury.
 - ⚠ **Do not strike jammed bits with a hammer to dislodge them.** Fragments of metal or material chips could dislodge and cause injury.
 - ⚠ **Slightly worn chisels can be resharpened by grinding.**
 - ⚠ **Keep the power cord away from the rotating bit. Do not wrap the cord around any part of your body.** An electric cord wrapped around a spinning bit may cause personal injury and loss of control
- NOTE:** Do not overheat the bit (discoloration) while grinding a new edge. Badly worn chisels require reforging. Do not reharden and temper chisels.
- ⚠ **CAUTION:** Wear appropriate personal hearing protection during

use. Under some conditions and duration of use, noise from this product may contribute to hearing loss.

⚠ **WARNING:** Some dust created by power sanding, sawing, grinding, drilling, and other construction activities contains chemicals known to cause cancer, birth defects or other reproductive harm. Some examples of these chemicals are:

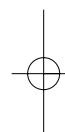
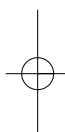
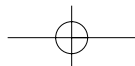
- lead from lead-based paints,
- crystalline silica from bricks and cement and other masonry products, and
- arsenic and chromium from chemically-treated lumber (CCA).

Your risk from these exposures varies, depending on how often you do this type of work. To reduce your exposure to these chemicals: work in a well ventilated area, and work with approved safety equipment, such as those dust masks that are specially designed to filter out microscopic particles.

⚠ **Avoid prolonged contact with dust from power sanding, sawing, grinding, drilling, and other construction activities. Wear protective clothing and wash exposed areas with soap and water.** Allowing dust to get into your mouth, eyes, or lay on the skin may promote absorption of harmful chemicals.

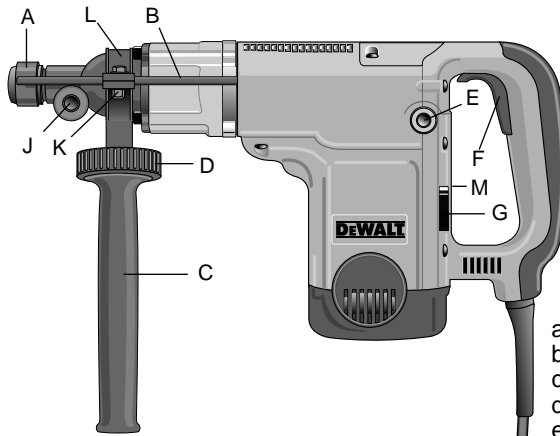
⚠ The label on your tool may include the following symbols.

- V.....volts
- A.....amperes
- Hz.....hertz
- Wwatts
- minminutes
- ~alternating current
- ===direct current
- n_ono load speed
- ☐ Class II Construction
- .../minrevolutions or reciprocation per minute
- ⊕earthing terminal
- ⚠safety alert symbol

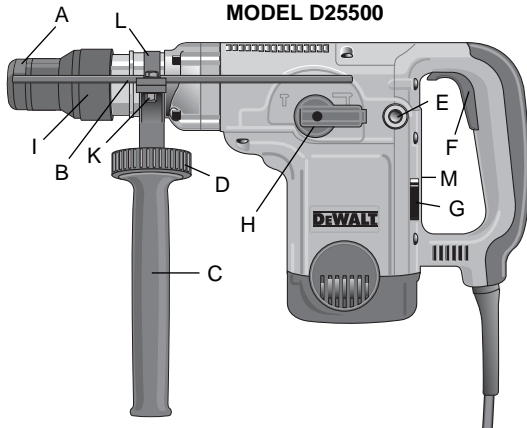


English

MODEL D25500



MODEL D25500



- a. Tool Holder
- b. Depth Rod
- c. Side Handle
- d. Clamp Knob
- e. Alternate Side Handle Location
- f. Trigger Switch
- g. Speed Dial
- h. Mode Selector
- i. Locking Sleeve
- j. Retaining Pin Button
- k. Depth Rod Clamp Nut
- l. Steel Ring
- m. Service LED

SAVE THESE INSTRUCTIONS FOR FUTURE USE

Motor

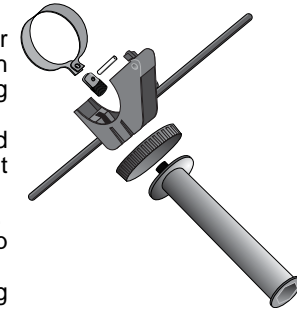
Your tool is powered by a DEWALT built motor designed to be used with alternating current. Voltage decrease of more than 10% will cause loss of power and overheating. All DEWALT tools are factory tested; if this tool does not operate, check the power supply.

Side Handle and Depth Rod

For operating convenience, the side handle can be installed in front or rear positions. Always operate the tool with the side handle properly assembled to maximize control of the tool.

TO MOUNT IN FRONT POSITION (FIG. 1)

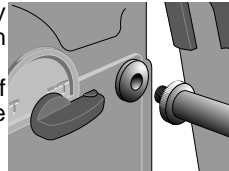
1. Unscrew the side handle and disassemble the side handle clamp.
2. Snap the steel ring over the collar behind the tool holder. Squeeze both ends together, mount the bushing and insert the pin.
3. Place the side handle clamp and screw on the clamp knob. Do not tighten.
4. Insert adjustable depth rod into hole.
5. Screw the side handle into the clamp knob and tighten it.
6. Rotate the side handle mounting assembly to the desired position. For drilling horizontally with a heavy drill bit, place the side handle assembly at an angle of approximately 20° to the tool for optimum control.
7. Lock the side handle mounting assembly in place by tightening the clamp knob.



TO MOUNT IN REAR POSITION (FIG. 2)

1. Unscrew the side handle and remove it from the front position.

- Leave the side handle mounting assembly in front position so that the depth adjustment rod can still be used.
2. Screw the side handle directly into one of the rear side handle positions on either side of the tool.



TO ADJUST THE DEPTH ROD

1. Insert bit into tool holder and loosen depth rod clamp nut.
2. Place drill bit onto a surface, adjust the rod to desired depth of hole. Using the depth rod will allow you to drill a hole the depth of the distance between the bit and the depth rod tip.
3. Tighten clamp nut.

NOTE: This adjustment can be made with or without side handle in place.

Inserting and Removing Spline Drive Accessories

FIG. 3: (D25550, D25551, D25650, D25850)

TURN OFF TOOL AND DISCONNECT FROM POWER SUPPLY.

1. Unlock the tool holder by pushing the retaining pin button (J) and holding it in.
2. Insert the bit shank into the tool holder as far as it will go.

FIG. 3

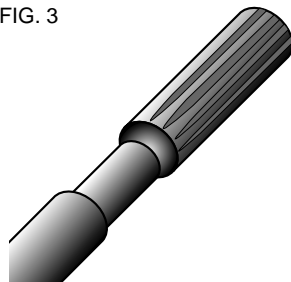
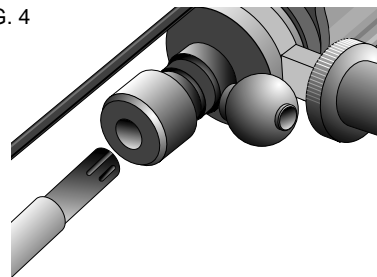


FIG. 4



3. Release the retaining pin button.
4. Pull on the bit to be sure that it is properly locked.
5. To remove a bit unlock the tool holder as described above.

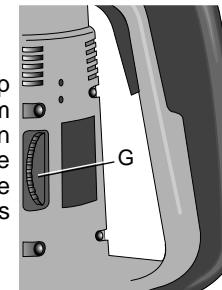
Inserting and Removing SDS-max™ Accessories

FIG. 4: (D25500, D25600, D25830)

TURN OFF TOOL AND DISCONNECT FROM POWER SUPPLY.

1. Pull back the tool holder locking sleeve (A) and insert the bit shank.
2. Turn the bit slightly until the sleeve snaps back in position.
3. Pull on the bit to be sure that it is properly locked. The hammering function requires the bit to be able to move axially several centimeters when locked in the tool holder.
4. To remove bit, pull back the tool holder locking sleeve and pull the bit out of the tool holder.

FIG. 5



Soft Start Feature (All Models)

The soft start feature allows you to build up speed slowly, thus preventing the drill bit from walking off the intended hole position when starting. The soft start feature also reduces the immediate torque reaction transmitted to the gearing and the operator if the hammer is started with the drill bit in an existing hole.

Torque Limiting Clutch

All rotary hammers are equipped with a torque limiting clutch that reduces the maximum torque reaction transmitted to the operator in the case of a jamming drill bit. This feature also prevents the gearing and motor from stalling. The torque limiting clutch has been factory set and cannot be adjusted.

Electronic Speed and Impact Control (Fig. 5)

The electronic speed and impact control allows the use of smaller drill

English

bits without the risk of bit breakage, drilling into light and brittle materials without shattering, and optimal tool control for precise chiseling. To set the control dial, turn the dial to the desired level. The higher the number, the greater the speed and impact energy. Dial settings make the tool extremely flexible and adaptable for many different applications. The required setting depends on the bit size and hardness of material being drilled.

Mode Selector (Fig. 6 & 7)

Your rotary hammer (all units except D25550) can be used in two operating modes. In hammer drilling mode, the tool simultaneously rotates and impacts the work. This mode is appropriate for all concrete and masonry operations. In the hammering-only mode, the spindle-lock on the tool is engaged. The tool only impacts the work without rotating. This mode is appropriate for light chipping, chiseling and demolition applications.

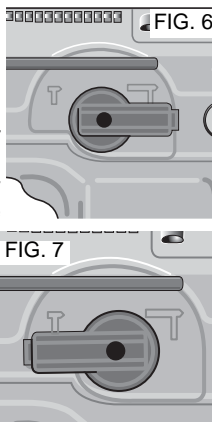
NOTE: In impact-only mode, the hammer can also be used as a lever to free a jammed drill bit. To select the required operating mode, rotate the selector lever over the safety lock until it covers the correct symbol.

SERVICE AND POWER INDICATOR LEADS (D25600, D25650)

The red service indicator LED lights up when the carbon brushes are nearly worn out to indicate that the tool needs servicing. After approximately 8 hours of use the motor will automatically be shut off. Take the tool to a DEWALT service location for routine inspection and maintenance.

DRILLING WITH A SOLID BIT

1. Set the speed and impact control dial.
2. Set the model selector to the "hammer drilling" position (for all units except D25550).
3. Insert the appropriate drill bit.
4. Fit and adjust the side handle.



5. If necessary, set the drilling depth rod.
6. Mark the spot where the hole is to be drilled.
7. Place the drill bit on the spot and press the ON/OFF switch.
8. Push with only enough force so that the hammer beats smoothly. The hammer only needs enough pressure or force to engage the mechanism. Pushing harder will not make the hammer drill faster.
9. To stop the tool, release the ON/OFF switch. Always turn the tool off when work is finished and before unplugging.

DRILLING WITH A CORE BIT

1. Turn the speed and impact control dial to the maximum torque position. (D25550, D25500, D25551, D25600, D25650,)
 2. Set the model selector to the "hammer drilling," position (for all units except D25550).
 3. Fit and adjust the side handle.
 4. Assemble the centering bit and adapter shank into core bit.
 5. Mark the spot where the hole is to be drilled.
 6. Place the centering bit on the spot and press the ON/OFF switch.
- NOTE:** Some core drills require the removal of centering bit after about 1 cm of penetration. If so, remove and continue drilling.
7. When drilling through a structure thicker than the depth of the core bit, break away the round cylinder of concrete or core inside the bit at regular intervals. To avoid unwanted breaking away of concrete around the hole, first drill a hole the diameter of the centering bit completely through the structure. Then drill the cored hole halfway from each side of the structure.
 8. To stop the tool, release the ON/OFF switch. Always turn the tool off when work is finished and before unplugging.

CHIPPING AND CHISELING

1. Set the model selector to the "hammering only with spindle lock" position (all models except D25550).
2. Set the impact control dial to desired impact energy.
3. Insert the appropriate chisel and rotate it by hand to lock it into the desired position. For spline units, use a 3/4" hex x 21/32" round insert tool and for SDS Max models use SDS Max insert tools.
4. Fit and adjust the side handle.

5. Press the ON/OFF switch and start working.
6. Push only with enough force to keep bit from bouncing. Pushing harder will not increase chipping speed.
7. To stop the tool, release the ON/OFF switch. Always turn the tool OFF when work is finished and before unplugging.
8. D5830 and D25850 are chipping hammers only. They have no drilling capabilities.

Accessories

Recommended accessories for use with your tool are available at extra cost from your distributor or local service center.

CAUTION: *The use of any non-recommended accessory may be hazardous.*

Repairs

To assure product SAFETY and RELIABILITY, repairs, maintenance and adjustment (including brush inspection and replacement) should be performed by authorized service centers or other qualified service organizations, always using identical replacement parts.

Full Warranty

DEWALT heavy duty industrial tools are warranted for one year from date of purchase. We will repair, without charge, any defects due to faulty materials or workmanship. For warranty repair information, call 1-800-4-DEWALT. This warranty does not apply to accessories or damage caused where repairs have been made or attempted by others. This warranty gives you specific legal rights and you may have other rights which vary in certain states or provinces.



In addition to the warranty, DEWALT tools are covered by our:

30 DAY NO RISK SATISFACTION GUARANTEE

If you are not completely satisfied with the performance of your DEWALT heavy duty industrial tool, simply return it to the participating seller within 30 days for a full refund. Please return the complete unit, transportation prepaid. Proof of purchase may be required.

FREE WARNING LABEL REPLACEMENT: If your warning labels become illegible or are missing, call 1-800-4-DEWALT for a free

replacement.

D25550 1 9/16" (39mm) ROTARY HAMMER	
TYPE 1 120V AC ~ 60Hz 11.0 A (NOM 11,0 A) no 140 - 280 RPM no 1330 - 2660 BPM	SER. [REDACTED]  
WARNING AVERTISSEMENT FOR SAFE OPERATION, READ INSTRUCTION MANUAL. ALWAYS USE PROPER EYE AND RESPIRATORY PROTECTION. ALWAYS USE SIDE HANDLE. FOR SAFE OPERATION USE ONLY IDENTICAL REPLACEMENT PARTS. À TITRE PRÉVENTIF, LIRE LE GUIDE D'UTILISATION. <small>MADE IN ENGLAND</small>	
<small>DEWALT INDUSTRIAL TOOL CO., 701 EAST JOPPA ROAD, BALTIMORE, MD 21286 USA FOR SERVICE INFORMATION, CALL 1-800-4-DEWALT www.DEWALT.com</small>	

English

POUR TOUTE QUESTION OU REMARQUE AU SUJET DE CET OUTIL OU DE TOUT AUTRE OUTIL DEWALT, COMPOSER LE NUMÉRO SANS FRAIS :
1-800-4-DEWALT (1-800-433-9258)

Importantes directives de sécurité

⚠ **AVERTISSEMENT!** Lire et comprendre toutes les directives, car le non-respect des directives suivantes peut entraîner un choc électrique, un incendie ou des blessures graves.

CONSERVER CES DIRECTIVES

AIRE DE TRAVAIL

⚠ **L'aire de travail doit être propre et bien éclairée.** Les établis encombrés et le manque de lumière peuvent entraîner des accidents.

⚠ **Ne pas faire fonctionner des outils électriques dans des atmosphères explosives, comme en présence de liquides, de gaz et de poussières inflammables.** Les outils électriques produisent des étincelles qui peuvent enflammer la poussière ou les vapeurs.

⚠ **Tenir les spectateurs, les enfants et les visiteurs à l'écart lorsqu'on utilise l'outil.** Les distractions peuvent entraîner une perte de maîtrise.

REGLES DE SÉCURITÉ RELATIVES À L'ÉLECTRICITÉ

⚠ **Les outils mis à la terre doivent être branchés dans une prise correctement installée et mise à la terre tel que l'indiquent les codes et règlements en vigueur. Ne jamais retirer la broche de mise à la terre ni modifier la prise d'aucune façon. Ne pas utiliser de fiche d'adaptation.** Consulter un électricien qualifié en cas de doute au sujet de la mise à la terre de la prise. En cas de mauvais fonctionnement ou de bris des outils, la mise à la terre offre un chemin de faible résistance afin d'empêcher l'électrocution de l'utilisateur. S'applique uniquement aux outils de classe 1 (mis à la terre).

⚠ **Les outils à double isolation sont pourvus d'une fiche polarisée (une lame est plus large que l'autre).** Cette fiche ne peut être branchée qu'en un seul sens dans une prise polarisée. Si la fiche ne peut être branchée dans la prise, inverser la fiche. Si on n'arrive toujours pas à la brancher, communiquer avec un électricien qualifié afin qu'il installe une prise polarisée. Ne pas modifier la fiche. La double isolation □ évite de recourir à une rallonge d'alimentation trifilaire et à un bloc d'alimentation mis à la terre. S'applique uniquement aux outils de classe 11.

⚠ **Éviter tout contact corporel avec des surfaces mises à la terre, comme des tuyaux, des radiateurs, des cuisinières et des réfrigérateurs.** Le risque de choc électrique augmente si le corps est mis à la terre.

⚠ **Ne pas exposer les outils électriques à la pluie ni à l'eau.** Si de l'eau pénètre dans un outil électrique, le risque de choc électrique augmente. Tout autre liquide, la transpiration par exemple, présente les mêmes risques.

⚠ **Manipuler le cordon avec soin. Ne jamais s'en servir pour transporter l'outil ou tirer la fiche hors de la prise.** Tenir le cordon à l'écart de la chaleur, de l'huile, des arêtes vives ou des pièces mobiles. Remplacer immédiatement les cordons endommagés car ils augmentent le risque de choc électrique.

⚠ **Lorsqu'on utilise un outil électrique à l'extérieur, il faut employer une rallonge portant l'inscription "W-A" ou "W."** Ces rallonges sont conçues pour l'utilisation à l'extérieur et réduisent le risque de choc électrique. S'il y a lieu d'utiliser une rallonge, s'assurer que celle-ci est de calibre suffisamment élevé pour transporter le courant nécessaire au fonctionnement de l'outil. Une rallonge de calibre trop faible pourrait causer une chute de tension qui entraînerait la perte de courant et la surchauffe. Le tableau qui suit indique le calibre approprié selon la longueur de la rallonge et l'intensité indiquée sur la plaque indicatrice. En cas de doute, utiliser le calibre suivant le plus élevé. Plus le numéro de calibre est petit, plus le calibre de la rallonge est élevé.

Calibre minimal des rallonges**Volts** **Longueur totale de la rallonge en pieds**

120 V 0-25 26-50 51-100 101-150

240 V 0-50 51-100 101-200 201-300

Intensité

Plus Pas plus

de de **AWG**

10 - 12 16 16 14 12

12 - 16 14 12 Non recommandé

SÉCURITÉ PERSONNELLE

- ⚠ **Demeurer alerte, prêter attention à ce que l'on fait et faire preuve de bon sens lorsqu'on utilise un outil électrique. Ne pas utiliser un outil lorsqu'on ressent de la fatigue ou après avoir consommé des drogues, de l'alcool ou des médicaments.** Un moment d'inattention durant l'utilisation d'outils électriques peut entraîner de graves blessures.
- ⚠ **Porter des vêtements appropriés. Ne pas porter de vêtements amples ni de bijoux. Attacher les cheveux longs.** Tenir les cheveux, les vêtements et les gants à l'écart des pièces mobiles. Les vêtements amples, les bijoux et les cheveux longs peuvent être happés par des pièces mobiles. De plus, il faut se tenir à l'écart des événements qui recouvrent les pièces mobiles.
- ⚠ **Éviter le démarrage accidentel.** S'assurer que l'interrupteur est en position d'arrêt avant de brancher l'outil. Le fait de transporter un outil en appuyant sur la gâchette ou de le brancher lorsque l'interrupteur se trouve en position de marche peut causer des accidents.
- ⚠ **Déposer les clés de réglage ou de serrage avant de mettre l'outil sous tension.** Si une clé demeure fixée à une pièce rotative de l'outil, des blessures peuvent survenir.
- ⚠ **Ne pas tendre le bras trop loin. Il faut demeurer en équilibre en tout temps.** Un bon équilibre permet une meilleure maîtrise de l'outil dans les situations inattendues.

- ⚠ **Utiliser du matériel de sécurité. Toujours porter des lunettes de protection.** Il faut utiliser, au besoin, un masque anti-poussières, des chaussures de sécurité antidérapantes, un casque de sécurité ou des protecteurs d'oreilles.

UTILISATION DES OUTILS ET PRÉCAUTIONS

- ⚠ **Utiliser des pinces ou un autre moyen pratique de fixer et de soutenir la pièce à travailler sur une plateforme stable.** Le fait de tenir la pièce avec la main ou de l'appuyer contre le corps ne permet pas de la stabiliser et cela risque de causer une perte de maîtrise.
- ⚠ **Ne pas forcer l'outil.** Utiliser l'outil convenant au travail à effectuer. L'outil adéquat permet de faire le travail de façon plus convenable et sûre lorsqu'il est employé suivant l'utilisation pour laquelle il a été conçu.
- ⚠ **Ne pas utiliser l'outil si l'interrupteur ne permet pas de le mettre sous ou hors tension.** Tout outil impossible à commander au moyen de l'interrupteur est dangereux et doit être réparé.
- ⚠ **Débrancher la fiche de la source d'alimentation avant d'effectuer des réglages, de changer d'accessoire ou de ranger l'outil.** De telles mesures préventives réduisent le risque de le mettre en marche accidentellement.
- ⚠ **Ranger les outils hors de la portée des enfants et des autres personnes non qualifiées.** Les outils sont dangereux entre les mains d'utilisateurs non qualifiés.
- ⚠ **Veiller à entretenir correctement les outils.** Affûter et nettoyer les outils de coupe. Des outils bien entretenus, et dont les arêtes sont coupantes, sont moins susceptibles de se coincer et sont plus faciles à manier.
- ⚠ **Vérifier la présence de pièces mobiles mal alignées ou coincées, de pièces brisées ou de toute autre condition pouvant nuire au fonctionnement de l'outil.** Si l'outil est endommagé, il faut le faire réparer avant de l'utiliser. De nombreux accidents sont causés par des outils mal entretenus.
- ⚠ **Utiliser seulement des accessoires recommandés par le**

fabricant du modèle. Des accessoires convenant à un outil peuvent être dangereux lorsqu'on les installe sur un autre outil.

- ⚠ **Garder les prises d'air exemptes de tout débris.** Un débit d'air restreint peut causer la surchauffe du moteur.

RÉPARATION

- ⚠ **Seules des personnes qualifiées peuvent réparer les outils.** Une réparation ou un entretien effectué par une personne non qualifiée risque d'entraîner des blessures.
- ⚠ **Il faut utiliser uniquement des pièces de rechange identiques pour réparer un outil.** Suivre les directives figurant dans la section **Entretien du présent manuel.** L'emploi de pièces inadéquates ou le non-respect des directives d'entretien peut provoquer un choc électrique ou des blessures.

Consignes de sécurité supplémentaires relatives aux perceuses rotatives

- ⚠ **Tenir l'outil par les surfaces de saisie isolées (poignée latérale et poignées arrière) pour les travaux où l'outil de coupe risque de toucher à des fils dissimulés ou au cordon d'alimentation.** Tout contact avec un fil "sous tension" provoquera "l'électrisation" des parties métalliques exposées et l'électrocution de l'utilisateur. Il faut s'assurer que le matériau à percer ne cache pas des fils électriques ou des conduites de gaz et que l'emplacement de ces services publics a été vérifié auprès des fournisseurs.
- ⚠ **Porter les protecteurs d'oreille en utilisant l'outil pour a étendu des périodes.** L'exposition prolongée à l'haute intensité peut causer la perte d'entente.
- ⚠ **Utiliser toujours la poignée latérale fournie avec l'outil et maintenir l'outil fermement en tout temps. Ne pas tenter de faire fonctionner l'outil en le maintenant d'une seule main.** Une seule main ne peut suffire à maintenir l'outil pendant son fonctionnement et risquerait d'entraîner une perte de maîtrise. Le perçage ou la découpe de matériaux rigides tels que les barres d'armature peut présenter un certain danger. Serrer la poignée

latérale solidement avant l'utilisation.

- ⚠ **Porter des lunettes de sécurité ou un dispositif de protection des yeux.** Le martelage peut faire jaillir des éclats métalliques. La projection de ces particules peut causer des blessures irrémédiables aux yeux. Porter un masque anti-poussières ou un appareil de protection respiratoire si le travail génère de la poussière. Le port de protecteurs d'oreilles est nécessaire pour la majorité des travaux.
- ⚠ **Maintenir l'outil fermement en tout temps. Ne pas tenter de faire fonctionner l'outil en le maintenant d'une seule main.** Il est recommandé de se servir de la poignée latérale en tout temps. Une seule main ne peut suffire à maintenir l'outil pendant son fonctionnement et risquerait d'entraîner une perte de maîtrise. Le perçage ou la découpe de matériaux rigides tels que les barres d'armature peut présenter un certain danger.
- ⚠ **Il faut éviter d'utiliser cet outil pendant de trop longues périodes.** La vibration créée par le mouvement de percussion de la perceuse peut être nuisible pour les mains et les bras. Porter des gants pour amortir la vibration créée par l'outil et éviter l'exposition prolongée en prenant des pauses fréquentes.
- ⚠ **Ne pas tenter d'affûter les forets.** L'affûtage de ceux-ci doit être effectué par un spécialiste expérimenté. Des forets mal affûtés risquent d'occasionner des blessures.
- ⚠ **Porter des gants durant l'utilisation de l'outil ou le changement du foret.** Les parties métalliques de l'outil tout comme les forets peuvent devenir très chauds pendant le fonctionnement. Les éclats de matériau peuvent blesser les mains nues.
- ⚠ **Ne jamais déposer l'outil sur une surface quelconque avant l'arrêt complet du foret.** Les forets en rotation peuvent causer des blessures.
- ⚠ **Ne pas tenter de déloger un foret coincé à l'aide d'un marteau.** Des particules de métal ou des éclats de matériau pourraient se déloger et causer des blessures.

⚠ **Les forets légèrement usés peuvent être réaffûtés par meulage.**

⚠ **Garder le cordon d'alimentation à l'écart du foret en rotation. Ne pas enrouler le cordon autour de toute partie du corps. Un cordon d'alimentation enroulé autour d'un foret en rotation risque de causer des blessures ou la perte de maîtrise de l'outil.**

NOTA : Ne pas surchauffer le foret (décoloration) durant le meulage de la pointe. Des forets très usés doivent être forgés à nouveau. Ne pas soumettre les ciseaux à la trempe ou au traitement thermique.

⚠ **ATTENTION :** Porter des protecteurs d'oreilles appropriés durant l'utilisation. Selon les conditions et la durée d'utilisation, le bruit émis par ce produit peut causer une perte auditive.

⚠ **AVERTISSEMENT :** Certaines poussières causées par le ponçage, le sciage, le meulage et le forage ainsi que d'autres activités de construction contiennent des produits chimiques susceptibles de causer le cancer, des anomalies congénitales ou d'autres anomalies liées à la reproduction. Parmi ces produits chimiques, citons notamment :

- le plomb des peintures au plomb;
- la silice cristalline provenant des briques, du béton et autres matériaux de maçonnerie;
- l'arsenic et le chrome provenant du bois traité (arséniate de cuivre et de chrome).

Le risque associé à ces expositions varie selon la fréquence de ces types de travaux. Pour réduire l'exposition aux produits chimiques : travailler dans un local bien ventilé et utiliser du matériel de sécurité approuvé, comme les masques anti-poussières spécialement conçus pour filtrer les particules microscopiques.

⚠ **Éviter le contact prolongé avec la poussière provenant du ponçage, du sciage, du meulage et du forage ainsi que d'autres activités de construction. Porter des vêtements de protection et laver les parties exposées au savon et à l'eau. La poussière qui pourrait pénétrer dans la bouche et les yeux ou se déposer sur la peau peut favoriser l'absorption de produits chimiques nocifs.**

⚠ L'étiquette de l'outil peut présenter les symboles suivants :

V.....	volts
A.....	ampères
Hz.....	hertz
W.....	watts
min.....	minutes
~.....	courant alternatif
===.....	courant direct
n _o	régime sans charge
☐.....	construction de classe II
.../min.....	mouvement alternatif ou tours par minute
⊕.....	borne de mise à la terre
⚠.....	symbole d'alerte relatif à la sécurité

CONSERVER LES DIRECTIVES POUR UTILISATION FUTURE

Moteur

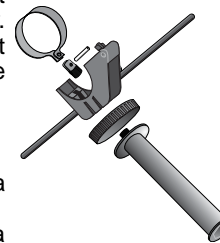
Cet outil est alimenté par un moteur DEWALT fabriqué et conçu pour utiliser le courant alternatif. Une chute de tension de plus de 10 % entraînera une perte de puissance et une surchauffe. Tous les outils DEWALT font l'objet d'essais en usine; si l'outil ne fonctionne pas, vérifier l'alimentation.

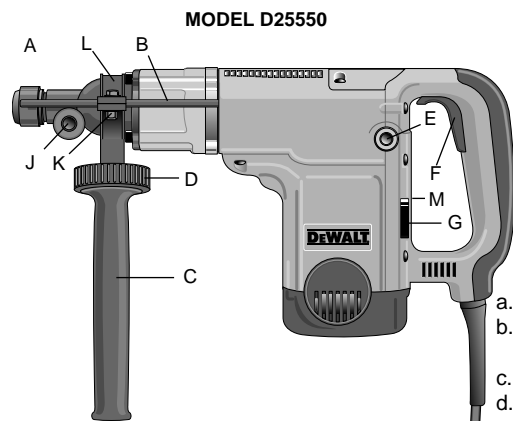
Poignée latérale et tige de profondeur

La poignée latérale peut être installée à l'avant ou à l'arrière selon le type de travail à effectuer. Toujours s'assurer que la poignée latérale est bien fixée pour garantir une plus grande maîtrise de l'outil.

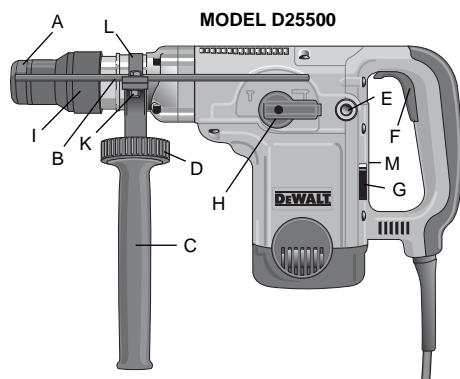
INSTALLATION EN POSITION AVANT (FIG. 1)

- 1) Dévisser la poignée latérale et démonter la bride de fixation de la poignée.
- 2) Pousser l'anneau métallique sur le collier à

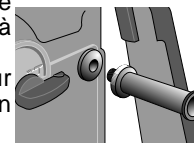




- a. B de Porte-outil.
 b. La Tringle de profondeur
 c. Prend parti la Poignée
 d. Serrer le Bouton
 e. Alterne le
 f. d'Emplacement de
 Poignée de Côté.
 Déclencher le
 Commutateur
 g. Expédier
 h. de Cadran.
 i. Le Sélectionneur de
 mode
 j. de Manche qui
 verrouille.
 k. de Bouton d'Épingle qui
 retient. La Noix de
 Serre-joint de Tringle
 de profondeur
 l. L'Anneau d'acier
 m. Le service A MENE



- l'arrière du porte-outil. Pincer ensemble les deux extrémités, installer la bague puis insérer la broche.
3. Poser la bride de fixation de la poignée latérale et visser le bouton de la bride de fixation. Ne pas serrer.
 4. Insérer la tige de profondeur réglable dans l'orifice.
 5. Visser la bride de fixation de la poignée latérale dans le bouton de la bride de fixation et la serrer.
 6. Tourner le support de la poignée latérale à la position voulue. Afin de bien maîtriser l'outil durant le perçage à l'horizontale au moyen d'un foret de gros calibre, placer la poignée latérale à un angle d'environ 20° par rapport à l'outil.
 7. Serrer le bouton de la bride de fixation pour verrouiller le support de la poignée latérale en place.



INSTALLATION EN POSITION ARRIERE (FIG. 2)

1. Dévisser la poignée latérale et la retirer de la position avant. Laisser le support de la poignée latérale en position avant de sorte que la tige de réglage de la profondeur puisse être utilisée.
2. Visser la poignée latérale directement dans une des positions arrière situées de chaque côté de l'outil.

RÉGLAGE DE LA TIGE DE PROFONDEUR

1. Insérer le foret dans le porte-outil et desserrer l'écrou du collier de serrage de la tige.
2. Placer le foret sur une surface, puis régler la tige selon la profondeur à percer. L'utilisation d'une tige de profondeur permet de percer un trou d'une profondeur équivalente à la distance entre le foret et la pointe de la tige de profondeur.
3. Serrer l'écrou du collier de serrage.

NOTA : Le réglage peut être effectué avec ou sans la poignée latérale en place.

Installation et dépose des accessoires d'entraînement cannelé

FIG. 3

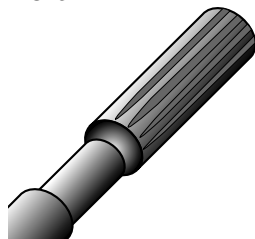
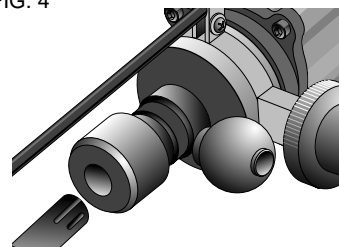


FIG. 4



**FIG. 3 : (D25550, D25551, D25650, D25850)
MÉTRÉ L'OUTIL HORS TENSION ET LE DÉBRANCHER DE
L'ALIMENTATION**

1. Pousser sur le bouton de la broche de retenue (J) et le maintenir pour déverrouiller le porte-outil.
2. Insérer la queue du foret aussi loin que possible dans le porte-outil.
3. Relâcher le bouton de la broche de retenue.
4. Tirer sur le foret pour s'assurer qu'il est bien verrouillé.
5. Pour retirer le foret, déverrouiller le porte-outil tel que mentionné précédemment.

Installation et dépose des accessoires SDS-max:

**FIG. 4 : (D25500, D25600, D25830)
MÉTRÉ L'OUTIL HORS TENSION ET LE DÉBRANCHER DE
L'ALIMENTATION**

1. Reculer le manchon de verrouillage (A) du porte-outil et insérer la queue du foret.
2. Tourner légèrement le foret jusqu'à ce que le manchon s'enclenche à sa position initiale.
3. Tirer sur le foret pour s'assurer qu'il est bien verrouillé. Les travaux de martelage exigent un mouvement axial de plusieurs centimètres lorsque le foret est verrouillé dans le porte-outil.
4. Pour enlever le foret, reculer le manchon de verrouillage du porte-

outil et retirer le foret du porte-outil.

Mise sous tension sans appel de courant (tous les modèles)

La fonction de mise sous tension sans appel de courant permet d'établir le régime graduellement afin d'éviter que la pointe du foret ne s'éloigne de l'endroit prévu de l'orifice durant le démarrage. En outre, cette fonction réduit la réaction de couple soudain transmise à l'engrenage et à l'utilisateur si l'on démarre la perceuse alors que le foret est placé dans un orifice existant.

Embrayage limiteur de couple

Toutes les perceuses rotatives sont munies d'un embrayage limiteur de couple qui réduit la réaction de couple maximal transmise à l'utilisateur si le foret devait rester coincé. Cette fonction évite également que l'engrenage et le moteur ne calent. Le réglage de l'embrayage limiteur de couple a été effectué en usine et ne peut être modifié.

Commande électronique du régime et de l'impact (fig. 5)

La commande électronique du régime et de l'impact permet d'utiliser des forets de plus petit calibre sans risquer de les endommager, de percer des matériaux légers et friables sans qu'ils n'éclatent et offre une plus grande maîtrise pour les travaux de précision. Tourner l'indicateur de la commande pour la régler au niveau voulu. Utiliser un chiffre plus élevé pour augmenter le régime et la force d'impact. L'indicateur de réglage de l'outil le rend extrêmement polyvalent et permet de l'adapter à de nombreuses applications. Le réglage nécessaire est fonction du diamètre du foret et de la dureté du matériel à percer.

FIG. 5

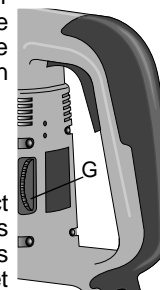
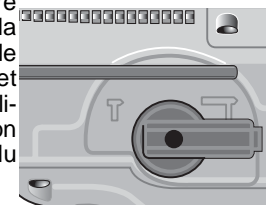


FIG. 6



Français

Sélecteur de mode (fig. 6 & 7)

La perceuse rotative (tous les modèles sauf D25550) dispose de deux modes de fonctionnement. L'outil effectue une rotation et une percussion simultanées lorsqu'il est en mode marteau perforateur. Ce mode convient à tous les travaux de béton et de maçonnerie. Le verrouillage de la broche est enclenché lorsque l'outil est utilisé en mode martelage.

L'outil fonctionne alors uniquement par percussion. Ce mode convient à de légers travaux de piquage, de burinage ou de démolition.

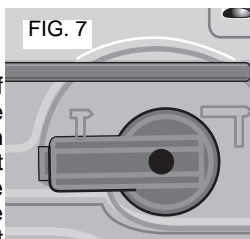
NOTA : En mode percussion seulement, le marteau peut être utilisé en guise de levier pour dégager un foret coincé. Pour sélectionner le mode de fonctionnement nécessaire, tourner le levier sélecteur par-dessus le loquet de sécurité jusqu'à ce qu'il soit placé sur le symbole correspondant.

TÉMOIN DEL D'ENTRETIEN ET D'ALIMENTATION (D25600, D25650)

Le témoin DEL d'entretien rouge s'allume quand les balais de carbone sont presque complètement usés pour indiquer que l'outil doit être réparé. Le moteur cessera automatiquement de fonctionner après environ huit heures d'utilisation. Faire effectuer la vérification et l'entretien de l'outil auprès d'un centre de service DEWALT.

PERÇAGE AU MOYEN D'UN FORET PLEIN

1. Régler l'indicateur de commande du régime et de la percussion.
2. Régler le sélecteur de mode à la position "marteau perforateur" (tous sauf le modèle D25550).
3. Insérer le foret approprié.
4. Régler la poignée latérale comme il convient.
5. Au besoin, régler la tige de profondeur.
6. Marquer un point repère à l'endroit devant être percé.
7. Placer le foret sur le point repère et appuyer sur l'interrupteur marche/arrêt.



8. Ne pas exercer une trop grande force de sorte que le martelage s'effectue en douceur. Le marteau requiert uniquement une force suffisante pour enclencher le mécanisme. Une pression supplémentaire n'accélérera pas la vitesse de perforation.
9. Pour arrêter l'outil, relâcher l'interrupteur. Toujours mettre l'outil hors tension à la fin des travaux et avant de le débrancher.

PERÇAGE AU MOYEN D'UN FORET CREUX

1. Régler l'indicateur de commande du régime et de l'impact au couple maximal. (D25550, D25500, D25551, D25600, D25650,)
2. Régler le sélecteur de mode à la position "marteau perforateur" (tous les modèles sauf le modèle D25550).
3. Régler la poignée latérale comme il convient.
4. Assembler la mèche de centrage et la queue de serrage dans le foret creux.
5. Marquer un point repère à l'endroit devant être percé.
6. Placer le foret de centrage sur le point repère et appuyer sur l'interrupteur marche/arrêt.

NOTA : Certains forets creux exigent que l'on retire la mèche de centrage après environ 1 cm de pénétration. Dans un tel cas, le retirer et poursuivre le travail.

7. S'il est nécessaire de percer à une profondeur dépassant la longueur du foret creux, briser à intervalles réguliers le cylindre de béton ou noyau intérieur du foret. Pour éviter que les débris de béton s'accumulent autour de l'orifice, percer d'abord un trou du diamètre de la mèche de centrage au travers de la structure. Percer ensuite le trou à mi-chemin de chaque côté de la structure.8. Pour arrêter l'outil, relâcher l'interrupteur. Toujours mettre l'outil hors tension à la fin des travaux et avant de le débrancher.

PIQUAGE ET BURINAGE

1. Régler le sélecteur de mode à la position "martelage seulement avec verrouillage de la broche" (tous les modèles sauf le modèle D25550).
2. Régler l'indicateur de commande d'impact en fonction de la force d'impact voulue.
3. Insérer le ciseau approprié et le tourner à la main pour le bloquer à

la position désirée. Utiliser un outil à insertion de 3/4" hexagonal x 21/32" rond pour les unités à cannelures et pour les modèles SDS Max, utiliser les outils à insertion SDS Max.

4. Régler la poignée latérale comme il convient.
5. Appuyer sur l'interrupteur marche/arrêt et amorcer le travail.
6. Exerçer seulement la force nécessaire pour empêcher le rebond du foret. Une pression plus ferme n'augmentera pas la vitesse de piquage.
7. Pour arrêter l'outil, relâcher l'interrupteur. Toujours mettre l'outil hors tension à la fin des travaux et avant de le débrancher.
8. Les modèles D5830 et D25850 servent uniquement de marteau burineur et ne peuvent servir pour les travaux de perçage.

Accessoires

Des accessoires recommandés pour l'utilisation avec l'outil sont disponibles à un coût supplémentaire auprès du détaillant ou du centre de service autorisé local.

⚠ ATTENTION : *Il peut être dangereux d'utiliser des accessoires autres que ceux recommandés.*

Réparations

Pour assurer la SÉCURITÉ et la FIABILITÉ du produit, les centres de service autorisés ou autres services de réparation compétents doivent effectuer les réparations, l'entretien et le réglage (y compris l'inspection et le remplacement des balais) en utilisant toujours des pièces de rechange identiques.

Garantie complète

Les outils industriels à service intensif D_EWALT sont garantis pour un an à compter de la date d'achat. Nous réparerons sans frais toute défectuosité causée par des défauts de matériaux ou de fabrication. Pour obtenir de plus amples renseignements sur les réparations couvertes par la garantie, composer le 1 800 4-D_EWALT. La présente

garantie ne s'applique pas aux accessoires ni aux dommages causés à la suite de réparations effectuées ou tentées par des personnes non qualifiées. Cette garantie confère des droits juridiques particuliers ainsi que d'autres droits selon les États ou les provinces. Outre la présente garantie, les outils D_EWALT sont couverts par notre :

GARANTIE SANS RISQUE DE 30 JOURS.

Si l'on n'est pas entièrement satisfait du rendement de cet outil industriel à service intensif D_EWALT, il suffit de le retourner au vendeur participant dans les 30 jours pour obtenir un remboursement intégral. Retourner l'outil et tous ses accessoires en port payé. Une preuve d'achat peut être exigée.

REMPLACEMENT GRATUIT DES ÉTIQUETTES D'AVERTISSEMENT : Si les étiquettes d'avertissement deviennent illisibles ou sont perdues, composer le 1 800 4-D_EWALT pour en obtenir le remplacement gratuit.

Instrucciones de seguridad importantes

⚠ **¡ADVERTENCIA!** Lea y asegúrese de comprender todas las instrucciones. El no hacerlo puede originar riesgos de choque eléctrico, incendio y lesiones personales de gravedad.

CONSERVE ESTAS INSTRUCCIONES

ÁREA DE TRABAJO

- ⚠ **Mantenga el área de trabajo limpia y bien iluminada.** Las bancadas desordenadas y las zonas oscuras propician los accidentes.
- ⚠ **No opere herramientas eléctricas en atmósferas explosivas, como en presencia de líquidos, gases o polvos inflamables.** Las herramientas eléctricas producen chispas que pueden originar la ignición del polvo o los vapores.
- ⚠ **Mientras opere una herramienta eléctrica, mantenga lejos a los observadores, niños y visitantes.** Las distracciones pueden ocasionar que pierda el control.

SEGURIDAD ELÉCTRICA

- ⚠ **Las herramientas con toma de tierra deben conectarse a un enchufe apropiadamente instalado y con conexión a tierra, de acuerdo con todas las normas y ordenanzas jurídicas. No quite la pata de conexión a tierra ni realice ninguna modificación en la clavija. No emplee adaptadores para clavijas.** Si tiene alguna duda acerca de si el enchufe está correctamente conectado a tierra, consulte a un electricista cualificado. Si la herramienta presentase disfunciones eléctricas o averías, la toma de tierra ofrece una vía de baja resistencia que garantiza la seguridad del usuario. Aplicable sólo a herramientas de Clase I (con toma de tierra).
- ⚠ **Las herramientas con doble aislamiento están equipadas con una clavija polarizada (una pata es más ancha que la otra.)** Esta clavija se acoplará a un enchufe polarizado de una sola manera. Si la clavija no se acopla al contacto, invíértala. Si aún así no se ajusta, comuníquese con un electricista cualificado para que

instale un enchufe polarizado apropiado. Nunca cambie la clavija. El doble aislamiento elimina la necesidad de cables con tres hilos y sistemas de alimentación con conexión a tierra.

- ⚠ **Unas herramientas adecuadamente cuidadas** y con los bordes de corte afilados se deforman menos y son más fáciles de controlar.
- ⚠ **Compruebe si las piezas móviles se desalinean o deforman, si hay alguna pieza rota y cualquier otra circunstancia que pueda afectar al funcionamiento de la máquina.** Si la herramienta está dañada, hágala reparar antes de usarla. Muchos accidentes los provocan unas herramientas mal cuidadas.
- ⚠ **Utilice únicamente los accesorios recomendados por el fabricante para su modelo.** Un mismo accesorio puede ser adecuado para una herramienta, pero peligroso si se usa en otra.
- ⚠ **Cuando opere una herramienta eléctrica a la intemperie, utilice una extensión marcada "W-A" o "W".** Estas extensiones están clasificadas para uso a la intemperie y para reducir el riesgo de choques eléctricos.

Calibre mínimo para cordones de extensión

Volts	Longitud total del cordón en metros				
	0-7,6	7,6-15,2	15,2-30,4	30,4-45,7	45,7-91,4
120V	0-7,6	7,6-15,2	15,2-30,4	30,4-45,7	45,7-91,4
240V	0-15,2	15,2-30,4	30,4-60,9	60,9-91,4	
AMPERAJE					
Más de	No más de	Calibre del cordón AWG			
10	12	16	16	14	12
12	16	14	12	No recomendado	

SERVICIO

- ⚠ **El servicio de la herramienta sólo debe realizarlo personal cualificado.** El servicio o mantenimiento realizados por personal no calificado puede dar como resultado un riesgo de lesiones.
- ⚠ **Al proceder al mantenimiento de una herramienta, utilice únicamente refacciones idénticas.** Siga las instrucciones de la sección Mantenimiento de este manual. La utilización de piezas no autorizadas o no respetar las Instrucciones de mantenimiento puede suponer un peligro de electrocución o de lesiones.

Instrucciones de seguridad adicionales para los rotomartillos

- ⚠ **Sujete la herramienta por las superficies aislantes (agarraderas lateral y trasera) si lleva a cabo una operación en que la herramienta puede tocar un conductor oculto o su propio cable.** El contacto con un conductor activo provocará que las piezas metálicas de la herramienta conduzcan electricidad y que el operador reciba una descarga eléctrica.
- ⚠ **Lleve protectores de oreja cuando se usa la herramienta por períodos extendidos.** La exposición prolongada al ruido alto de la intensidad puede causar la pérdida que oye.
- ⚠ **Utilice siempre la agarradera lateral suministrada con la herramienta.** Mantenga siempre la herramienta bien sujeta. No opere la herramienta si no puede sujetarla con ambas manos. Operar esta herramienta con una sola mano provocaría una pérdida de control. Atravesar o topar con materiales duros, tales como un refuerzo posterior, también podría resultar peligroso.
- ⚠ **Lleve lentes de seguridad u otra protección ocular.** Las operaciones de martilleo provocan la expulsión de virutas. Las partículas despedidas pueden provocar lesiones irreversibles en los ojos. Lleve una mascarilla antipolvo o un respirador cuando realice aplicaciones que generen polvo.
- ⚠ **Lleve ropa adecuada. No utilice ropa suelta ni joyas. Recójase el cabello largo.** Mantenga el cabello, la ropa y los guantes apartados de las piezas en movimiento. Las partes móviles pueden atrapar las prendas de vestir sueltas, las joyas y el cabello. Los orificios de ventilación pueden ocultar piezas en movimiento, por lo que se deben evitar.
- ⚠ **Evite puestas en marcha accidentales.** Asegúrese de que el interruptor esté apagado antes de enchufar la máquina. Transportar las herramientas con el dedo sobre el interruptor o enchufarlas con el interruptor encendido favorece los accidentes.
- ⚠ **Antes de poner en marcha la máquina, quite las llaves y herramientas de ajuste.** Una llave que se deje en una pieza

giratoria de la herramienta puede provocar lesiones.

- ⚠ **No ponga en peligro su estabilidad.** Manténgase siempre bien apoyado y equilibrado. Un buen apoyo y equilibrio permiten controlar mejor la herramienta si se produce algún imprevisto.
- ⚠ **Utilice el equipo de seguridad.** Lleve siempre lentes protectores. Cuando sea adecuado, también se debe usar mascarilla antipolvo, zapatos de suela antideslizante, casco o protectores auditivos.

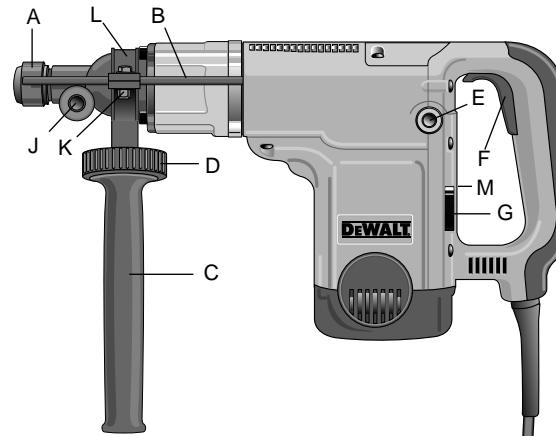
USO Y CUIDADOS DE LA HERRAMIENTA

- ⚠ **Utilice abrazaderas u otro elemento adecuado para sujetar y apoyar la pieza de trabajo en una plataforma estable.** Sujetar la pieza con la mano o contra el cuerpo es inestable y facilita la pérdida de control.
- ⚠ **No fuerce la herramienta.** Utilice la herramienta correcta para cada aplicación. La herramienta correcta hace el trabajo mejor y más seguro dentro del rango para el que ha sido diseñada.
- ⚠ **No utilice la herramienta si el interruptor no la enciende y apaga.** Cualquier herramienta que no pueda controlarse con el interruptor es peligrosa y se debe reparar.
- ⚠ **Desconecte la clavija del enchufe antes de proceder a cualquier ajuste, cambiar un accesorio o guardar la herramienta.** Estas medidas de seguridad preventiva reducen el riesgo de poner en marcha la herramienta accidentalmente.
- ⚠ **Cuando no las utilice, guarde las herramientas fuera del alcance de los niños o de cualquier persona no capacitada.** Las herramientas son peligrosas en manos de usuarios no capacitados.
- ⚠ **Cuide las herramientas.** Mantenga las herramientas de corte afiladas y limpias.
- ⚠ **Mantenga siempre la herramienta bien sujeta. No opere la herramienta si no puede sujetarla con ambas manos.** Es recomendable usar siempre la agarradera lateral. Operar esta herramienta con una sola mano provocaría una pérdida de control. Atravesar o topar con materiales duros, tales como un refuerzo posterior, también podría resultar peligroso.

- ⚠ **No opere esta herramienta durante períodos prolongados.** La vibración provocada por la acción de martilleo puede ser peligrosa para las manos y brazos. Utilice guantes para tener una amortiguación adicional y limite el riesgo descansando con frecuencia.
- ⚠ **No renueve las brocas usted mismo.** La renovación de las brocas debe realizarla un especialista autorizado. Una broca mal renovada puede provocar lesiones.
- ⚠ **Lleve guantes al operar la herramienta y al cambiar las brocas.** Las piezas metálicas de la herramienta y las brocas pueden calentarse mucho durante la operación. Los pequeños trozos de material roto pueden dañar las manos desprotegidas.
- ⚠ **Nunca suelte la herramienta hasta que la broca haya dejado de girar totalmente.** Las brocas en movimiento pueden provocar lesiones.
- ⚠ **Si una broca se atasca, no la golpee con un martillo para desbloquearla.** Podrían saltar fragmentos de metal o virutas de material y provocar lesiones.
- ⚠ **Las brocas ligeramente desgastadas pueden afilarse de nuevo.** **NOTA:** No sobrecaliente la broca (decoloración) mientras la afila de nuevo. Las brocas muy gastadas precisan un reforjado. No reendurezca ni temple las brocas.
- ⚠ **PRECAUCIÓN:** Utilice una protección auditiva apropiada durante el uso. En determinadas condiciones y con utilizaciones prolongadas, el ruido generado por este producto puede favorecer la pérdida de audición.
- ⚠ **ADVERTENCIA:** Algunos tipos de polvo generados al lijar, serrar, fresar y taladrar, así como al realizar otras actividades del sector de la construcción, contienen productos químicos que pueden provocar cáncer, defectos en los recién nacidos y enfermedades del sistema reproductor. Ejemplos de esas sustancias químicas son:
 - plomo procedente de pinturas basadas en plomo,
 - óxido de silicio cristalino procedente de ladrillos, cemento y otros productos de mampostería, y
 - arsénico y cromo procedentes de madera tratada químicamente

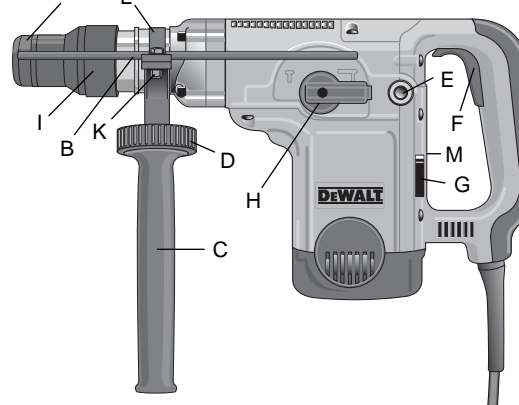
Español

MODELO D25500



- a. Portaherramientas
- b. Varilla de profundidad
- c. Agarradera lateral
- d. Perilla de soporte
- e. Posición alternativa de la agarradera lateral
- f. Interruptor de activación
- g. Selector de velocidad
- h. Selector de modo
- i. Manguito de bloqueo
- j. Botón del pasador de retención
- l. Anillo de acero
- k. Tuerca de amarre de la varilla de profundidad
- L. Acere el Anillo
- M. El servicio DIRIGIO

MODELO D25500



(CCA). El peligro derivado de estas exposiciones que usted enfrente varía en función de la frecuencia con que se realice este tipo de trabajo. Para reducir la exposición a esas sustancias químicas: trabaje en una zona bien ventilada y llevando equipos de seguridad aprobados, como mascarillas antipolvo especialmente diseñadas para filtrar partículas microscópicas.

- Evite el contacto prolongado con el polvo procedente del lijado, serrado, fresado y taladrado eléctricos, así como de otras actividades del sector de la construcción. Lleve ropa protectora y lave con agua y jabón las zonas expuestas. Si permite que el polvo se introduzca en la boca u ojos o quede sobre la piel puede favorecer la absorción de productos químicos peligrosos.
- La etiqueta de su herramienta puede incluir los siguientes símbolos. A continuación se indican los símbolos y sus definiciones:

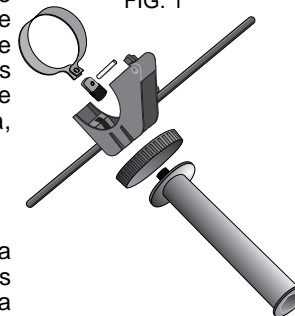
Vvoltios
Aamperios
Hzhertz
Wvatios
.../minminutos
~corriente alterna
===corriente directa
n_0velocidad sin carga
□construcción Clase II
/minrevoluciones por minuto
⊕terminales con conexión a tierra
⚠símbolo de alerta de seguridad

GUARDE ESTAS INSTRUCCIONES PARA SU FUTURA UTILIZACIÓN

Motor

Su herramienta está impulsada por un motor fabricado por DeWALT y diseñado para utilizarse con corriente alterna. Una reducción del voltaje superior al 10% provocará pérdida de potencia y sobrecalentamiento. Todas las herramientas DeWALT se prueban de fábrica; si la herramienta no funciona, compruebe la alimentación eléctrica.

FIG. 1



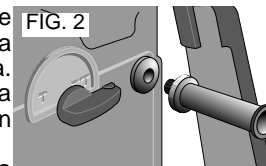
Agarradera lateral y varilla de profundidad

Para mayor comodidad, la agarradera lateral puede montarse en las posiciones delantera o trasera. Siempre opere la herramienta con la agarradera lateral correctamente ensamblada, para que el control de la herramienta sea el máximo.

MONTAJE EN LA POSICIÓN DELANTERA (FIG. 1)

1. Desatornille la agarradera lateral y desmonte el soporte de la agarradera lateral.
2. Inserte el anillo de acero sobre el collarín situado detrás del portaherramientas.
3. Apriete ambos extremos, monte el casquillo e inserte el pasador. Apriete la agarradera lateral y enrosque la perilla del soporte. No apriete.
4. Inserte la varilla de profundidad ajustable en el agujero.
5. Atornille la agarradera lateral en la perilla de soporte y apriétela.
6. Haga girar el conjunto de montaje de la agarradera lateral hasta la posición deseada.

FIG. 2



Si debe taladrar horizontalmente con una broca para trabajos pesados, coloque el conjunto de la agarradera con un ángulo de unos 20° respecto a la herramienta para conseguir un control óptimo.

Español

7. Fije en su sitio el conjunto de montaje de la agarradera lateral apretando la perilla de soporte.

MONTAJE EN LA POSICIÓN TRASERA (FIG. 2)

1. Desatornille la agarradera lateral y retírela de la posición delantera. Deje el conjunto de montaje de la agarradera lateral en la posición delantera, de forma que pueda seguir usándose la perilla de ajuste de la profundidad.
2. Atornille la agarradera lateral directamente en una de las posiciones traseras, situadas a uno y otro lado de la herramienta.

AJUSTE DE LA VARILLA DE PROFUNDIDAD

1. Inserte la broca en el portaherramientas y afloje la tuerca de amarre de la varilla de profundidad.
2. Coloque la broca en una superficie y ajuste la varilla a la profundidad de taladrado deseada. La varilla de profundidad le permitirá taladrar un agujero de profundidad igual a la distancia entre las puntas de la broca y de la varilla de profundidad.
3. Apriete la tuerca de amarre.

NOTA: Este ajuste puede hacerse con la agarradera lateral colocado o no.

FIG. 3

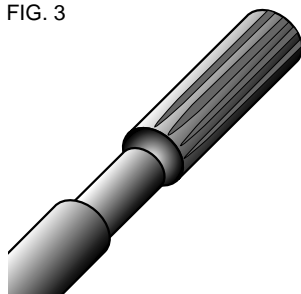
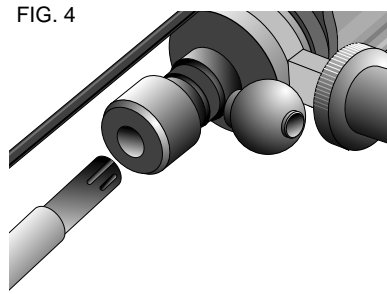


FIG. 4



Inserción y desmontaje de accesorios estriados

FIG. 3: (D25550, D25551, D25650, D25850)

APAGUE LA HERRAMIENTA Y DESCONÉCTELA.

1. Desbloquee el portaherramientas apretando el botón del pasador de retención (J) y manteniéndolo apretado.
2. Inserte la base de la broca en el portaherramientas tanto como pueda.
3. Suelte el botón del pasador de retención.
4. Tire de la broca para comprobar que esté bien sujeta.
5. Para quitar la broca, desbloquee el portaherramientas tal como se ha indicado.

Inserción y desmontaje de accesorios SDS-max™

FIG. 4: (D25500, D25600, D25830)

APAGUE LA HERRAMIENTA Y DESCONÉCTELA.

1. Tire hacia atrás del manguito de bloqueo del portaherramientas (A) e inserte la base de la broca.
2. Gire ligeramente la broca hasta que el manguito vuelva a su posición.
3. Tire de la broca para comprobar que esté bien sujeta. La función de martilleo precisa que la broca pueda moverse axialmente varios centímetros cuando está sujeta en el portaherramientas.
4. Para quitar la broca, tire hacia atrás del manguito de bloqueo del portaherramientas y tire de la broca hacia fuera del portaherramientas.

Función de arranque progresivo (todos los modelos)

La función de arranque progresivo permite aumentar la velocidad lentamente, de modo que la broca no se mueva de la posición de taladrado al arrancar. La función de arranque progresivo también reduce la reacción de par inmediata transmitida al engranaje y al operador si el martillo arranca con la broca en un agujero que ya

exista.

Embrague de limitación de par

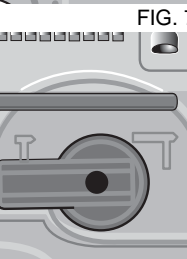
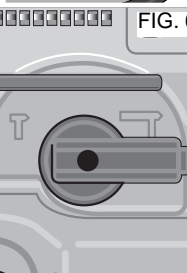
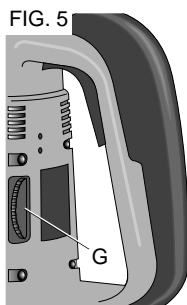
Todos los rotomartillos incorporan un engranaje de limitación de par que reduce la reacción de par máxima transmitida al operador si una broca se atasca. Esta función también impide que el motor y el engranaje se bloqueen. El engranaje de limitación de par se configura en fábrica y no se puede ajustar.

Control electrónico de la velocidad y el impacto (fig. 5)

El control electrónico de la velocidad y el impacto permite usar brocas más pequeñas sin riesgo de romperlas; taladrar materiales ligeros y frágiles sin astillarlos, y tener un control óptimo para un cincelado preciso. Para fijar el selector de control se debe girar al nivel deseado. Cuanto más alto sea el número, mayores serán la velocidad y la energía de impacto. Los valores del selector permiten que la herramienta sea extremadamente flexible y adaptable a muchas aplicaciones distintas. El valor adecuado depende del tamaño de la broca y la dureza del material taladrado.

Selector de modo (Fig. 6 y 7)

El rotomartillo (todos los modelos excepto el D25550) puede operar en dos modalidades. En modo de taladrado con martilleo, la herramienta gira y golpea la pieza simultáneamente. Este modo es adecuado para todas las operaciones sobre hormigón y mampostería. En modo de sólo martilleo, está engranado el seguro del eje de la



herramienta. La herramienta sólo golpea la pieza, sin girar. Este modo es adecuado para trabajos ligeros de burilado, cincelado y demolición. **NOTA:** En modo de sólo impacto, el martillo también puede usarse como palanca para liberar una broca atascada.

Para seleccionar el modo de funcionamiento deseado, gire la palanca selectora sobre el cierre de seguridad hasta que cubra el símbolo correcto.

LEDS INDICADORES DE SERVICIO Y DE ENCENDIDO (D25600, D25650)

El LED rojo indicador de servicio se enciende si las escobillas están casi gastadas, para indicar que debe revisarse la herramienta. Tras unas ocho horas de utilización, el motor se apagará automáticamente. Lleve la herramienta a un centro de servicio DeWALT para proceder a su inspección y mantenimiento rutinarios.

El LED verde indicador de encendido se ilumina al conectar la herramienta. Si el LED se enciende pero la herramienta no arranca, indica un problema relacionado con el motor. Si el LED no se enciende y la herramienta no arranca indica un problema relacionado con el interruptor o el cable.

TALADRADO CON BROCAS SÓLIDAS

1. Fije el selector de control de la velocidad y el impacto.
2. Fije el selector de modo en la posición "taladrado con martilleo" (todos los modelos excepto el D25550).
3. Inserte la broca adecuada.
4. Monte y ajuste la agarradera lateral.
5. Si es necesario, fije la varilla de profundidad del taladrado.
6. Marque el punto donde debe taladrarse el agujero.
7. Coloque la broca sobre el punto y pulse el interruptor de encendido y apagado.
8. Sólo apriete con la fuerza necesaria para que el martillo golpee suavemente. El martillo únicamente necesita la presión necesaria para engranar el mecanismo. Apretando más no conseguirá un taladrado más rápido.
9. Para detener la herramienta, suelte el interruptor de encendido y apagado. Siempre apague la herramienta al terminar el trabajo y

antes de desenchufar.

TALADRADO CON BARRENAS HUECAS

1. Gire el selector de control de la velocidad y el impacto a la posición de par máximo (D25550, D25500, D25551, D25600 y D25650).
2. Fije el selector de modo en la posición "taladrado con martilleo" (todos los modelos excepto el D25550).
3. Monte y ajuste la agarradera lateral.
4. Monte la broca de centrado y la base adaptadora en la barrena hueca.
5. Marque el punto donde debe taladrarse el agujero.
6. Coloque la broca de centrado sobre el punto y pulse el interruptor de encendido y apagado.

NOTA: Algunas barrenas huecas precisan que se quite la broca de centrado después de una penetración de aproximadamente 1 cm. Si es así, retírela y siga taladrando.

7. Si taladra una estructura más ancha que la profundidad de la barrena hueca, quite periódicamente el cilindro de hormigón o el núcleo del interior de la barrena. Para evitar la rotura del hormigón alrededor del orificio, taladre antes un agujero del diámetro de la broca de centrado a lo largo de toda la estructura. Luego barrene el agujero, la mitad desde cada lado de la estructura.
8. Para detener la herramienta, suelte el interruptor de encendido y apagado. Siempre apague la herramienta al terminar el trabajo y antes de desenchufar.

BURILADO Y CINCELADO

1. Fije el selector de modo en la posición de "sólo martilleo con bloqueo del husillo" (todos los modelos excepto el D25550).
2. Fije el selector de control de impacto a la energía deseada.
3. Inserte la broca adecuada y gírela a mano para fijarla en la posición deseada. En unidades estriadas, use una herramienta de inserción de 3/4" hex x 21/32" circular y en modelos SDS Max use herramientas de inserción SDS Max.
4. Monte y ajuste la agarradera lateral.
5. Pulse el interruptor de encendido y apagado y empiece a trabajar.
6. Sólo apriete con la fuerza suficiente para que la broca no rebote.

Apretar más fuerte no aumentará la velocidad de burilado.

7. Para detener la herramienta, suelte el interruptor de encendido y apagado. Siempre apague la herramienta cuando termine el trabajo y antes de desenchufar.
8. Los modelos D5830 y D25850 son martillos sólo para burilado. No pueden taladrar.

Accesorios

Los accesorios recomendados para su herramienta están disponibles con un cargo adicional en su distribuidor o centro de servicio local.

⚠ PRECAUCIÓN: La utilización de accesorios no recomendados puede resultar peligrosa.

Reparaciones

Para garantizar la SEGURIDAD y CONFIABILIDAD del producto, las reparaciones, el mantenimiento y el ajuste (incluidas la inspección y sustitución de las escobillas) deben realizarlos los centros de servicio autorizados u otras organizaciones de servicio calificadas, usando siempre piezas de repuesto idénticas.

Garantía completa

Las herramientas industriales de trabajo pesado DeWALT están garantizadas por un año a partir de la fecha de compra. Repararemos, sin costo, cualquier defecto debido a fallas en materiales o mano de obra. Si necesita información sobre la reparación en garantía, llame al 1-800-4-DEWALT. Esta garantía no es aplicable a los accesorios ni a las lesiones provocadas por reparaciones realizadas o intentadas por terceros. Esta garantía le otorga unos derechos legales concretos y es posible que tenga otros derechos que variarán según el estado o región en el que se encuentre.

Además de la garantía, las herramientas DeWALT están cubiertas por nuestra:

GARANTÍA DE SATISFACCIÓN SIN RIESGOS POR 30 DÍAS

Si no queda completamente satisfecho con el desempeño de su herramienta industrial DeWALT para trabajo pesado, basta que la devuelva al vendedor antes de 30 días para que le sea reembolsada

**PARA REPARACION Y SERVICIO DE SUS HERRAMIENTAS
ELECTRICAS FAVOR DE DIRIGIRSE AL CENTRO DE SERVICIO
MAS CERCANO**

AGUASCALIENTES Av. de los Maestros 903 Col. España	449-913-38-01
CAMPECHE Av. Gobernadores 345 Col. Santa Ana	981-811-34-90
CHIAPAS 5 Norte Oriente 460 Col. Centro	961-600-02-87
CHIHUAHUA Av. Universidad 2903 Col. Universidad	614-413-64-04
DURANGO Av. 20 de Noviembre 2004 Ote Col. Centro	618-818-80-77
GUANAJUATO 1 Mayo 482 Col. Centro	462-626-79-22
GUADALAJARA Av. Vallarta 4901-a Col. Prados Vallarta	333-673-28-15
MÉXICO 16 de Septiembre 509 Col. Alce Blanco	55-358-40-07
OAXACA Av. Hidalgo 1303 Col. Centro	951-514-46-12
SINALOA Blvd. Manuel J. Clouthier 3027 Col. Lomas del Blvd.	667-717-89-99
SAN LUIS POTOSI Av. Universidad 1525 Col. San Luis	444-814-23-83
SONORA Nayarit 217 Col. San Benito	662-210-25-50
TABASCO Periferico 2047 Col. Periferico	993-350-38-72
TAMAULIPAS Tiburcio Garza Zamora 1185 Col. Beatty	813-374-24-16
YUCATAN Calle 63 No. 459 Col. Centro	999-923-08-49
TAMPICO Av. Hidalgo 1801 Col. Aurora	833-213-42-61

PARA OTRAS LOCALIDADES LLAME AL: 326 7100

Información Técnica

D25500, D25550, D25600, D25650, D25551, D25830, D25850	
Tensión de alimentación:	120 V AC~
Consumo de corriente:	11.0 A
Frecuencia de alimentación:	50/60 Hz
Potencia nominal:	1 276 W
Rotación sin carga:	2 660/min

Español