

If you have questions or comments, contact us.
 Pour toute question ou tout commentaire, nous contacter.
 Si tiene dudas o comentarios, contáctenos.

1-800-4-DEWALT • www.dewalt.com

INSTRUCTIVO DE OPERACIÓN, CENTROS DE SERVICIO Y
 PÓLIZA DE GARANTÍA. ADVERTENCIA: LEASE ESTE INSTRU-
 TIVO ANTES DE USAR EL PRODUCTO.

INSTRUCTION MANUAL
 GUIDE D'UTILISATION
 MANUAL DE INSTRUCCIONES

DEWALT®

D25404

1-1/8" (27.5 mm) Heavy Duty Rotary Hammer
 Perceuses rotative 27,5 mm (1 1/8 po) de service intensif
 Rotomartillos 27,5 mm (1-1/8") para trabajo pesado

DeWALT Industrial Tool Co., 701 East Joppa Road, Baltimore, MD 21286
 (SEP04-CD-1) Form No. 487170-08 D25404 Copyright © 2004

The following are trademarks for one or more DeWALT power tools: the yellow and black color scheme; the "D" shaped air intake grill; the array of pyramids on the handgrip; the kit box configuration; and the array of lozenge-shaped humps on the surface of the tool.

IF YOU HAVE ANY QUESTIONS OR COMMENTS ABOUT THIS OR ANY DEWALT TOOL,
 CALL US TOLL FREE AT:
 1-800-4-DEWALT (1-800-433-9258)

Important Safety Instructions for All Tools


WARNING: When using electric tools, basic safety precautions should always be followed to reduce risk of fire, electric shock, and personal injury, including the following:

SAVE THESE INSTRUCTIONS

WORK AREA

- **Keep your work area clean and well lit.** Cluttered benches and dark areas invite accidents.
- **Do not operate power tools in explosive atmospheres, such as in the presence of flammable liquids, gases, or dust.** Power tools create sparks which may ignite the dust or fumes.
- **Keep bystanders, children, and visitors away while operating a power tool.** Distractions can cause you to lose control.

ELECTRICAL SAFETY

- **Double insulated tools are equipped with a polarized plug (one blade is wider than the other.) This plug will fit in a polarized outlet only one way.** If the plug does not fit fully in the outlet, reverse the plug. If it still does not fit, contact a qualified electrician to install a polarized outlet. Do not change the plug in any way. Double insulation  eliminates the need for the three wire grounded power cord and grounded power supply system.
- **Avoid body contact with grounded surfaces such as pipes, radiators, ranges and refrigerators.** There is an increased risk of electric shock if your body is grounded.
- **Don't expose power tools to rain or wet conditions.** Water entering a power tool will increase the risk of electric shock.
- **Do not abuse the cord.** Never use the cord to carry the tools or pull the plug from an outlet. Keep cord away from heat, oil, sharp edges or moving parts. Replace damaged cords immediately. Damaged cords increase the risk of electric shock.
- **When operating a power tool outside, use an outdoor extension cord marked "W-A" or "W."** These cords are rated for outdoor use and reduce the risk of electric shock.

Recommended Minimum Wire Size for Extension Cords

Total Length of Cord		75 ft.	100 ft.	125 ft.	150 ft.	175 ft.
25 ft.	50 ft.	75 ft.	100 ft.	125 ft.	150 ft.	175 ft.
7.6 m	15.2 m	22.9 m	30.5 m	38.1 m	45.7 m	53.3 m
Wire Size		16 AWG	16 AWG	14 AWG	14 AWG	12 AWG
18 AWG	18 AWG	16 AWG	16 AWG	14 AWG	14 AWG	12 AWG

PERSONAL SAFETY

- **Stay alert, watch what you are doing and use common sense when operating a power tool.** Do not use tool while tired or under the influence of drugs, alcohol, or medication. A moment of inattention while operating power tools may result in serious personal injury.
- **Dress properly. Do not wear loose clothing or jewelry. Contain long hair. Keep your hair, clothing, and gloves away from moving parts.** Loose clothes, jewelry, or long hair can be caught in moving parts. Air vents cover moving parts and should be avoided as well.
- **Avoid accidental starting. Be sure switch is off before plugging in.** Carrying tools with your finger on the switch or plugging in tools that have the switch on invites accidents.
- **Remove adjusting keys or wrenches before turning the tool on.** A wrench or a key that is left attached to a rotating part of the tool may result in personal injury.
- **Do not overreach. Keep proper footing and balance at all times.** Proper footing and balance enables better control of the tool in unexpected situations.
- **Use safety equipment. Always wear eye protection. Dust mask, non-skid safety shoes, hard hat, or hearing protection must be used for appropriate conditions.**

TOOL USE AND CARE

- Use clamps or other practical way to secure and support the workpiece to a stable platform.

Holding the work by hand or against your body is unstable and may lead to loss of control.

- **Do not force tool.** Use the correct tool for your application. The correct tool will do the job better and safer at the rate for which it is designed.
- **Do not use tool if switch does not turn it on or off.** Any tool that cannot be controlled with the switch is dangerous and must be repaired.
- **Disconnect the plug from the power source before making any adjustments, changing accessories, or storing the tool.** Such preventative safety measures reduce the risk of starting the tool accidentally.
- **Store idle tools out of reach of children and other untrained persons.** Tools are dangerous in the hands of untrained users.
- **Maintain tools with care. Keep cutting tools sharp and clean.** Properly maintained tools, with sharp cutting edges are less likely to bind and are easier to control.
- **Check for misalignment or binding of moving parts, breakage of parts, and any other condition that may affect the tools operation.** If damaged, have the tool serviced before using. Many accidents are caused by poorly maintained tools.
- **Use only accessories that are recommended by the manufacturer for your model.** Accessories that may be suitable for one tool, may become hazardous when used on another tool.

SERVICE

- **Tool service must be performed only by qualified repair personnel.** Service or maintenance performed by unqualified personnel could result in a risk of injury.
- **When servicing a tool, use only identical replacement parts.** Follow instructions in the Maintenance section of this manual. Use of unauthorized parts or failure to follow Maintenance Instructions may create a risk of electric shock or injury.

Additional Specific Safety Rules for Rotary Hammers

- **Hold tool by insulated gripping surfaces when performing an operation where the cutting tool may contact hidden wiring or its own cord.** Contact with a "live" wire will make exposed metal parts of the tool "live" and shock the operator.
- **Wear ear protectors when hammering for an extended period of time.** Temporary hearing loss or serious ear drum damage may result from high sound levels generated by hammer drilling.
- **Wear safety goggles or other eye protection.** Hammering and drilling operations cause chips to fly. Flying particles can cause permanent eye damage.
- **Always use the side handle supplied with the tool.** Keep a firm grip on the tool at all times. Do not attempt to operate this tool without holding it with both hands.
- Hammer bits and tools get hot during operation. Wear gloves when touching them.




CAUTION: DO NOT TOUCH ANY METAL PARTS OF THE TOOL when drilling or driving into walls, floors or wherever live electrical wires may be encountered! Hold the tool only by insulated grasping surfaces to prevent electric shock if you drill or drive into a live wire.

WARNING: Some dust created by power sanding, sawing, grinding, drilling, and other construction activities contains chemicals known to cause cancer, birth defects or other reproductive harm. Some examples of these chemicals are:

- lead from lead-based paints,
- crystalline silica from bricks and cement and other masonry products, and
- arsenic and chromium from chemically-treated lumber (CCA).

Your risk from these exposures varies, depending on how often you do this type of work. To reduce your exposure to these chemicals: work in a well ventilated area, and work with approved safety equipment, such as those dust masks that are specially designed to filter out microscopic particles.

- The label on your tool may include the following symbols.

V	volts	A	amperes
Hz	hertz	W	watts
min	minutes	~	alternating current
====	direct current	n _o	no load speed
	Class II Construction		earthing terminal
	safety alert symbol	.../min	revolutions per minute

Side Handle (Fig. 1)

CAUTION: Always use side handle (A) and hold rotary hammer with both hands.. It clamps to the front of the gear case as shown and can be rotated 360° to permit right or left hand use. The grip may be unscrewed and retightened to relocate the handle in the desired location.

Switch (Fig. 1)

The variable speed trigger switch (B) permits speed control. The farther the trigger switch is depressed, the higher the speed of the rotary hammer.

NOTE: Use lower speeds for starting holes without a center punch, drilling in metal, plastics or ceramics, or driving screws. Higher speeds are better for drilling in wood and composition board and for using abrasive and polishing accessories.

Hammer/Drill Selector (Fig. 2)

To switch the tool from the drilling mode to another, rotate the dial (C) onto the applicable symbol. There are three operational modes on the; rotation only drilling, rotary hammer and hammering only, (chiseling).

This tool has the ability to rotate the chisel head to align with the work surface. Rotate the dial to the appropriate symbol and turn the chisel to the desired position. Rotate the dial to the hammer only mode to use the tool for chipping.

NOTE: The selector must be in either drill, rotary hammer, or hammer only mode at all times. There are no operable modes in between.

Operation

DRILLING

1. Always unplug the drill when attaching or changing bits or accessories.
2. Always use sharp drill bits. For WOOD, use twist drill bits, spade bits, power auger bits, or hole saws. For METAL, use steel twist drill bits or hole saws. For MASONRY, such as brick, cement, cinder block, etc., use carbide-tipped bits rated for percussion drilling.
3. Be sure the material to be drilled is anchored or clamped firmly. If drilling thin material, use a wood "back-up" block to prevent damage to the material.
4. Always apply pressure in a straight line with the bit. Use enough pressure to keep drill biting, but do not push hard enough to stall the motor or deflect the bit.
5. Hold tool firmly to control the twisting action of the drill.
6. IF DRILL STALLS, it is usually because it is being overloaded or improperly used. RELEASE TRIGGER IMMEDIATELY, remove drill bit from work, and determine cause of stalling. DO NOT CLICK TRIGGER ON AND OFF IN AN ATTEMPT TO START A STALLED DRILL — THIS CAN DAMAGE THE DRILL.
7. To minimize stalling or breaking through the material, reduce pressure on drill and ease the bit through the last fractional part of the hole.
8. Keep the motor running when pulling the bit back out of a drilled hole. This will help prevent jamming.
9. With variable speed drills there is no need to center punch the point to be drilled. Use a slow speed to start the hole and accelerate by squeezing the trigger harder when the hole is deep enough to drill without the bit skipping out.

DRILLING IN METAL

Start drilling with slow speed and increase to full power while applying firm pressure on the tool. A smooth even flow of metal chips indicates the proper drilling rate. Use a cutting lubricant when drilling metals. The exceptions are cast iron and brass which should be drilled dry. The cutting lubricants that work best are sulphurized cutting oil or lard oil; bacon-grease will also serve the purpose.

NOTE: Large (5/16" to 1/2") (7,6 mm to 13 mm) holes in steel can be made easier if a pilot hole (5/32" to 3/16") (3,8 mm to 5 mm) is drilled first.

DRILLING IN WOOD

Start drilling with slow speed and increase to full power while applying firm pressure on the tool. Holes in wood can be made with the same twist drills used for metal. These bits may overheat unless pulled out frequently to clear chips from the flutes. For larger holes, use spade bits, power auger bits, or hole saws. Work that is apt to splinter should be backed up with a block of wood.

DRILLING IN MASONRY

When drilling in masonry, use carbide tipped bits rated for percussion drilling and be certain that the bit is sharp. Use a constant and firm force on the tool to drill most effectively. A smooth, even flow of dust indicates the proper drilling rate.

Depth Rod

To adjust the depth rod (D), loosen the wing nut (E) and move rod so that the distance between the end of the rod and the end of the bit equals the desired drilling depth. Tighten the wing nut. When drilling with depth rod, stop when end of rod reaches surface of material.

Quick Change SDS Chuck (Fig. 3)

The SDS chuck can be easily removed by turning the collar (F) into the unlocked position (G) to release the chuck (Fig. 4).

The SDS chuck can be easily attached by inserting the chuck into the spindle of the tool and turning the collar to the locked position (H). The chuck will click when properly installed.

Maintenance

CLEANING & LUBRICATION

Use only mild soap and damp cloth to clean the tool. Never let any liquid get inside the tool; never immerse any part of the tool into a liquid.

Accessories

Recommended accessories for use with your tool are available at extra cost from your distributor or local service center.

CAUTION: The use of any non-recommended accessory may be hazardous.

MAXIMUM RECOMMENDED CAPACITIES

Maximum Capacity	1-1/8" (30.0 mm) Concrete
R.P.M.	0-730 (No Load)
BITS, Metal Drilling	1/2" (12.25 mm)
Wood, Flat Boring	1-1/8" (30.0 mm)
Optimum Capacity	1/2" - 1" (13.8 to 24.5 mm) Concrete
No-load BPM	0-4,100

Important

To assure product SAFETY and RELIABILITY, repairs, maintenance and adjustment (including brush inspection and replacement) should be performed by authorized service centers or other qualified service organizations, always using identical replacement parts.

Three Year Limited Warranty

DeWALT will repair, without charge, any defects due to faulty materials or workmanship for three years from the date of purchase. This warranty does not cover part failure due to normal wear or tool abuse. For further detail of warranty coverage and warranty repair information, visit www.dewalt.com or call 1-800-4-DeWALT (1-800-433-9258). This warranty does not apply to accessories or damage caused where repairs have been made or attempted by others. This warranty gives you specific legal rights and you may have other rights which vary in certain states or provinces.

In addition to the warranty, DeWALT tools are covered by our:

1 YEAR FREE SERVICE

DeWALT will maintain the tool and replace worn parts caused by normal use, for free, any time during the first year after purchase.

90 DAY MONEY BACK GUARANTEE

If you are not completely satisfied with the performance of your DeWALT Power Tool, Laser, or Nailer for any reason, you can return it within 90 days from the date of purchase with a receipt for a full refund – no questions asked.

POUR TOUT RENSEIGNEMENT SUPPLÉMENTAIRE SUR CET OUTIL OU TOUT AUTRE OUTIL DeWALT, COMPOSER SANS FRAIS LE NUMÉRO: 1 800 4-DeWALT (1 800 433-9258)

Importantes mesures de sécurité

AVERTISSEMENT : l'outil peut soulever de la poussière contenant des produits chimiques pouvant causer le cancer ou des malformations congénitales ou encore, être nocifs sur le plan reproductif. On doit donc porter l'appareil de protection respiratoire approprié.

LIRE TOUTES LES DIRECTIVES.

AIRE DE TRAVAIL

- **Veillez à ce que l'aire de travail soit propre et bien éclairée.** Le désordre et le manque de lumière favorisent les accidents.
- **N'utilisez pas d'outils électriques dans une atmosphère explosive, par exemple en présence de liquides, de gaz ou de poussières inflammables.** Les outils électriques créent des étincelles qui pourraient enflammer les poussières ou les vapeurs.
- **Tenez à distance les curieux, les enfants et les visiteurs pendant que vous travaillez avec un outil électrique.** Ils pourraient vous distraire et vous faire faire une fausse manœuvre.

SÉCURITÉ ÉLECTRIQUE

- **Les outils à double isolation sont équipés d'une fiche polarisée (une des lames est plus large que l'autre), qui ne peut se brancher que d'une seule façon dans une prise polarisée. Ne modifiez pas la fiche de l'outil.** La double isolation élimine le besoin d'un cordon d'alimentation à trois fils avec mise à la terre ainsi que d'une prise de courant mise à la terre.
- **Évitez tout contact corporel avec des surfaces mises à la terre (tuyauterie, radiateurs, cuisinières, réfrigérateurs, etc.).** Le risque de choc électrique est plus grand si votre corps est en contact avec la terre.
- **N'exposez pas les outils électriques à la pluie ou à l'eau.** La présence d'eau dans un outil électrique augmente le risque de choc électrique.
- **Ne maltraitez pas le cordon.** Ne transportez pas l'outil par son cordon et ne débranchez pas la fiche en tirant sur le cordon. N'exposez pas le cordon à la chaleur, à des huiles, à des arêtes vives ou à des pièces en mouvement. Remplacez immédiatement un cordon endommagé. Un cordon endommagé augmente le risque de choc électrique.
- **Lorsque vous utilisez un outil électrique à l'extérieur, employez un prolongateur pour l'extérieur marqué «W-A» ou «W».** Ces cordons sont faits pour être utilisés à l'extérieur et réduisent le risque de choc électrique. S'assurer que le cordon de rallonge est en bon état. Lorsqu'on se sert d'un cordon de rallonge, s'assurer qu'il est de calibre approprié pour la tension nécessaire au fonctionnement de l'outil. L'utilisation d'un cordon de calibre inférieur occasionne une baisse de tension entraînant une perte de puissance et la surchauffe. Le tableau suivant indique le calibre approprié selon la longueur du cordon et les mentions de la plaque signalétique de l'outil. En cas de doute, utiliser un cordon de calibre supérieur. Le chiffre indiquant le calibre est inversement proportionnel au calibre du cordon.

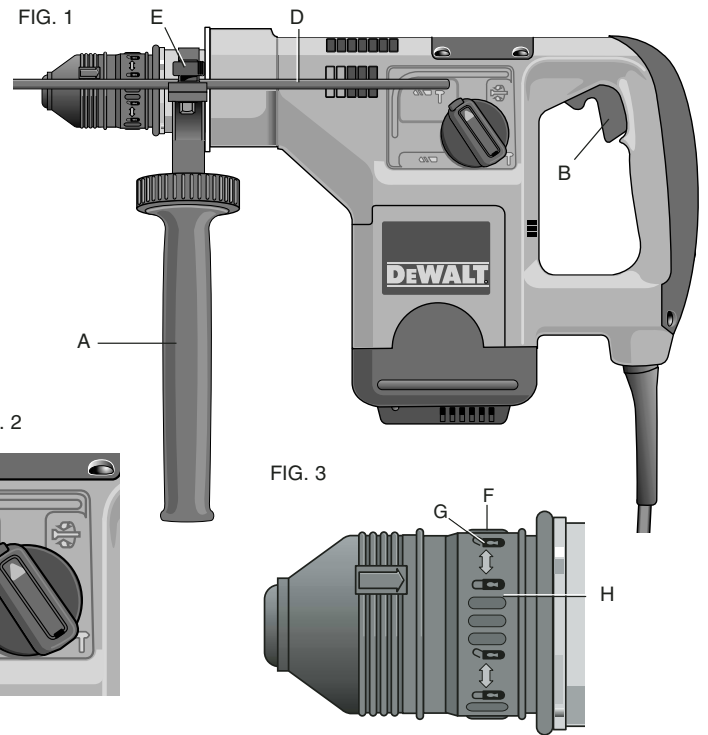
Calibre minimal des cordons de rallonge

Longueur totale du cordon		75 ft.	100 ft.	125 ft.	150 ft.	175 ft.
25 ft.	50 ft.	75 ft.	100 ft.	125 ft.	150 ft.	175 ft.
7.6 m	15.2 m	22.9 m	30.5 m	38.1 m	45.7 m	53.3 m

Intensité		16 AWG	14 AWG	12 AWG
18 AWG	18 AWG	16 AWG	14 AWG	12 AWG

SÉCURITÉ DES PERSONNES

- **Restez alerte, concentrez-vous sur votre travail et faites preuve de jugement.** N'utilisez pas un outil électrique si vous êtes fatigué ou sous l'influence de drogues, d'alcool ou de médicaments. Un instant d'inattention suffit pour entraîner des blessures graves.
- **Habilitez-vous convenablement. Ne portez ni vêtements flottants ni bijoux.** Confinez les cheveux longs. N'approchez jamais les cheveux, les vêtements ou les gants des pièces en mouvement. Des vêtements flottants, des bijoux ou des cheveux longs risquent d'être happés par des pièces en mouvement.
- **Méfiez-vous d'un démarrage accidentel.** Avant de brancher l'outil, assurez-vous que son interrupteur est sur ARRÊT. Le fait de transporter un outil avec le doigt sur la détente ou de brancher un outil dont l'interrupteur est en position MARCHE peut mener tout droit à un accident.



- **Enlevez les clés de réglage ou de serrage avant de démarrer l'outil.** Une clé laissée dans une pièce tournante de l'outil peut provoquer des blessures.
- **Ne vous penchez pas trop en avant.** Maintenez un bon appui et restez en équilibre en tout temps. Une bonne stabilité vous permet de mieux réagir à une situation inattendue.
- **Utilisez des accessoires de sécurité.** Portez toujours des lunettes ou une visière. Selon les conditions, portez aussi un masque antipoussière, des bottes de sécurité antidérapantes, un casque protecteur et/ou un appareil antibruit.

UTILISATION ET ENTRETIEN DES OUTILS

- **Immobilisez le matériau sur une surface stable au moyen de brides ou de toute autre façon adéquate.** Le fait de tenir la pièce avec la main ou contre votre corps offre une stabilité insuffisante et peut amener un dérapage de l'outil.
- **Ne forcez pas l'outil.** Utilisez l'outil approprié à la tâche. L'outil correct fonctionne mieux et de façon plus sécuritaire. Respectez aussi la vitesse de travail qui lui est propre.
- **N'utilisez pas un outil si son interrupteur est bloqué.** Un outil que vous ne pouvez pas commander par son interrupteur est dangereux et doit être réparé.
- **Débranchez la fiche de l'outil avant d'effectuer un réglage, de changer d'accessoire ou de ranger l'outil.** De telles mesures préventives de sécurité réduisent le risque de démarrage accidentel de l'outil.
- **Rangez les outils hors de la portée des enfants et d'autres personnes inexpérimentées.** Les outils sont dangereux dans les mains d'utilisateurs novices.
- **Prenez soin de bien entretenir les outils.** Les outils de coupe doivent être toujours bien affûtés et propres. Des outils bien entretenus, dont les arêtes sont bien tranchantes, sont moins susceptibles de coincer et plus faciles à diriger.
- **Soyez attentif à tout désalignement ou coincement des pièces en mouvement, à tout bris ou à toute autre condition préjudiciable au bon fonctionnement de l'outil.** Si vous constatez qu'un outil est endommagé, faites-le réparer avant de vous en servir. De nombreux accidents sont causés par des outils en mauvais état.
- **N'utilisez que des accessoires que le fabricant recommande pour votre modèle d'outil.** Certains accessoires peuvent convenir à un outil, mais être dangereux avec autre.

RÉPARATION

- **La réparation des outils électriques doit être confiée à un réparateur qualifié.** L'entretien ou la réparation d'un outil électrique par un amateur peut avoir des conséquences graves.
- **Pour la réparation d'un outil, n'employez que des pièces de rechange d'origine.** Suivez les directives données à la section «Réparation» de ce manuel. L'emploi de pièces non autorisées ou le non-respect des instructions d'entretien peut créer un risque de choc électrique ou de blessures.
- **Tenez l'outil par ses surfaces de prise isolées pendant toute opération où l'outil de coupe pourrait venir en contact avec un câblage dissimulé ou avec son propre cordon.** En cas de contact avec un conducteur sous tension, les pièces métalliques à découvert de l'outil transmettraient un choc électrique à l'utilisateur.

Mesures de sécurité additionnelles

- **Tenez l'outil par ses surfaces de prise isolées pendant toute opération où l'outil de coupe pourrait venir en contact avec un câblage dissimulé ou avec son propre cordon.** En cas de contact avec un fil sous tension, les composantes métalliques à découvert de l'outil deviendraient sous tension et l'utilisateur subirait des secousses électriques.
- **Portez un appareil antibruit si vous devez utiliser l'outil pendant une période prolongée.** Une exposition prolongée à un bruit de forte intensité peut entraîner des lésions de l'ouïe.
- **S'assurer que les poignées sont propres, libres de toute tache d'huile et de graisse.** Il est conseillé de porter des gants en caoutchouc afin d'optimiser la maîtrise de l'outil.
- **Lorsqu'on perce ou on visse dans les murs, les planchers ou tout autre endroit où peuvent se trouver des fils sous tension, NE PAS TOUCHER À TOUT COMPOSANT MÉTALLIQUE DE L'OUTIL.** Ne le saisir que par ses surfaces de prise en plastique afin de se protéger des secousses électriques que provoqueraient le contact du foret ou de la lame avec un fil sous tension.

AVERTISSEMENT : Certains outils, tels que les sableuses électriques, les scies, les meules, les perceuses ou certains autres outils de construction, peuvent soulever de la poussière contenant des produits chimiques susceptibles d'entraîner le cancer, des malformations congénitales ou pouvant être nocifs pour le système reproductif. Parmi ces produits chimiques, on retrouve :

- le plomb dans les peintures à base de plomb;
- la silice cristalline dans les briques et le ciment et autres produits de maçonnerie;
- l'arsenic et le chrome dans le bois de sciage ayant subi un traitement chimique (CCA).

Le risque associé à de telles expositions peut varier selon la fréquence avec laquelle on effectue ces travaux. Pour réduire l'exposition à de tels produits, il faut travailler dans un endroit bien ventilé et utiliser l'équipement de sécurité approprié tel un masque anti-poussières spécialement conçu pour filtrer les particules microscopiques.

L'étiquette de l'outil peut comporter les symboles suivants.

V	volts	A	ampères
Hz	hertz	W	watts
.../min	minutes	~	courant alternatif
====	courant continu	n ₀	sous vide
☐	construction de classe II	.../min	tours ou courses à la minute
⊕	borne de mise à la terre	▲	symbole d'avertissement

CONSERVER CES MESURES.

Poignée latérale

MISE EN GARDE : Toujours utiliser la poignée latérale le cas échéant et saisir la perceuse rotatives des deux mains. La perceuse rotatives comporte une poignée latérale. Celle-ci se fixe au boîtier d'engrenages à l'avant de l'outil (A) et on peut la faire tourner sur 360° de façon à être utile autant aux gauchers qu'aux droitiers.

Interrupteur (Fig. 2)

Pour faire fonctionner la perceuse rotative, enfoncer la gâchette (B). Pour l'arrêter, relâcher la gâchette. La gâchette à vitesse variable permet de réguler la vitesse de rotation. Plus on l'enfonce, plus la vitesse augmente.

NOTA : Utiliser les basses vitesses pour entamer un trou sans pointeau, pour percer le métal, les plastiques ou les céramiques ou pour poser des vis. Les hautes vitesses conviennent mieux au perçage de la maçonnerie.

Sélecteur du mode de fonctionnement (Fig. 3)

Pour passer du mode de perçage à celui de perçage rotaives (ou vice versa), faire tourner le cadran qui se trouve sur le dessus de l’outil (C) en choisissant le symbole approprié. Pour percer, aligner le symbole du foret sur le mandrin. Pour percer rotative, aligner celui du marteau sur le mandrin (voir la figure).

NOTE : Le sélecteur doit être dans l’une ou l’autre de ces positions en tout temps. Il n’y a aucun mode de fonctionnement entre ces deux positions.

Fonctionnement

PERÇAGE

- Toujours débrancher l’outil lorsqu’on en change les forets ou les accessoires.
- N'utiliser que des forets bien affûtés. Pour le BOIS : utiliser les vitesses basses et des forets hélicoïdaux, à langue d’aspic, de tarière ou des emporte-pièce; pour le MÉTAL : utiliser les vitesses basses et des forets hélicoïdaux en acier de coupe rapide ou des emporte-pièce; pour la MAÇONNERIE (brique, ciment et béton, etc.) : forets au carbure pour le perçage à percussion. Utiliser les vitesses basses pour les forets de plus de 9,5 mm de diamètre.
- Veiller à ce que la pièce à percer soit solidement retenue ou fixée en place. Afin d’éviter les avaries aux matériaux minces, les adosser à un bloc de bois épais.
- Toujours exercer la pression en ligne directe avec le foret. N'user que de la force qu'il faut pour que le foret continue de percer; éviter de trop forcer, ce qui pourrait faire caler le moteur ou dévier le foret.
- Saisir fermement la perceuse afin de contrer l’effet de torsion de l’outil en marche.
- LA PERCEUSE S'ÉTOUFFE** habituellement lorsqu’elle est surchargée ou utilisée de façon inappropriée. **RELÂCHER IMMÉDIATEMENT L'INTERRUPTEUR À DÉTENTE**, retirer le foret du matériau et déterminer la cause du blocage. **ÉVITER DE METTRE EN MARCHÉ ET HORS CIRCUIT L’OUTIL À L'AIDE DE L'INTERRUPTEUR À DÉTENTE DANS LE BUT DE FAIRE DÉMARRER LA PERCEUSE BLOQUÉE, CELA POURRAIT L'ENDOMMAGER.**
- Afin de minimiser l’étouffement du moteur ou le défoncement de la pièce, réduire la pression et faire avancer plus doucement le foret vers la fin de sa course.
- Laisser le moteur en marche lorsqu’on retire le foret d’un trou afin d’éviter qu’il se coince.
- Il n’est pas nécessaire de pratiquer un creux de guidage avec les perceuses à régulateur de vitesse. Utiliser plutôt une basse vitesse pour commencer le trou, puis accélérer en enfonçant plus profondément l’interrupteur à détente lorsque le foret est suffisamment inséré dans la pièce.

PERÇAGE DANS LE MÉTAL

UTILISER SEULEMENT à la gamme de vitesses basses. Commencer à percer à basse vitesse et augmenter jusqu’à la pleine puissance tout en exerçant une pression ferme sur l’outil. Une production uniforme de copeaux métalliques à débit moyen indique un perçage convenable. Utiliser de l’huile de coupe pour percer dans les métaux, sauf la fonte et le laiton qui se percent à sec. L’huile de coupe la plus efficace est l’huile sulfurisée ou l’huile de lard; la graisse de bacon est parfois suffisante.

NOTE : Il peut être plus facile de percer de gros trous dans l’acier (de 8mm à 12mm) lorsqu’on perce un trou de guidage (de 4mm à 5mm) au préalable.

PERÇAGE DANS LE BOIS

UTILISER SEULEMENT à la gamme de vitesses basses. Commencer à percer à basse vitesse et augmenter jusqu’à la pleine puissance tout en exerçant une pression ferme sur l’outil. Les forets hélicoïdaux à métal peuvent servir à percer le bois, mais il faut les retirer souvent du trou pour chasser les copeaux et rognures des goujures afin d’éviter qu’ils ne surchauffent. Pour percer de gros trous, utiliser les forets à bois d’une perceuse électrique. Adosser les matériaux friables à un bloc de bois quelconque.

PERÇAGE DANS LA MAÇONNERIE

Lorsqu’on perce de la maçonnerie, utiliser des forets à pointe de carbure conçus pour le perçage à percussion et s’assurer qu’ils sont bien affûtés. Pour percer des trous d’un diamètre maximal de 10mm, utiliser la gamme de vitesses élevées. Pour percer des trous d’un diamètre de plus de 10mm, utiliser la gamme de vitesses basses. Ne pas oublier de choisir le mode de fonctionnement à percussion. Exercer une pression constante et ferme sur l’outil afin d’en optimiser le rendement. Une production uniforme de poussière à débit moyen indique un perçage convenable.

SDS rapide de Changement Jette (la fig. 3)

La carresse de SDS peut être enlevée facilement en tournant le col (F) dans la position ouverte (G) relâcher la carresse (la fig. 4). La carresse de SDS peut être attachée facilement en insérant la carresse dans le fuseau de l’outil et tourner le col à la position fermée à clef (H). La carresse cliquetera quand convenablement installé.

Jauge de profondeur

Afin de régler la jauge de profondeur, desserrer la poignée et déplacer la jauge de sorte que la distance entre son extrémité et le bout du foret égale la profondeur voulue. Lors du perçage avec la jauge de profondeur, arrêter de percer lorsque l’extrémité de la jauge atteint la surface du matériau percé.

Entretien

NETTOYAGE ET LUBRIFICATION

Nettoyer l’outil seulement à l’aide d’un savon doux et d’un linge humide. Ne laisser aucun liquide s’infiltrer dans l’outil et ne jamais immerger l’outil.

L’outil est muni de roulements autolubrifiés qui ne nécessitent aucune lubrification périodique. Dans l’éventualité peu probable où l’outil nécessiterait de l’entretien, le confier au personnel d’un centre de service autorisé.

Accessoires

Les accessoires recommandés pour l’outil sont vendus séparément chez les détaillants ou au centre de service autorisé de la région.

▲ **MISE EN GARDE : L’utilisation de tout accessoire non recommandé peut être dangereuse.**

		CAPACITÉS MAXIMALES RECOMMANDÉES
		DW568/DW570
	CAPACITÉ MAXIMUM	30 mm (1 po) maçonnerie
	RÉGIME (trs/min)	De 0 à 730
	FORETS À MÉTAUX	13 mm (1/2 po)
	FORETS À BOIS	30 mm (1-1/8 po)
	CAPACITÉ OPTIMA BPM	13mm (1/2 po) - 16mm (5/8 po) maçonnerie 0-3800

Important

Pour assurer la SÉCURITÉ D’EMPLOI et la FIABILITÉ de l’outil, n’en confier la réparation, l’entretien et les rajustements (y compris l’inspection et le remplacement des balais) qu’au personnel d’un centre de service DEWALT ou d’un atelier d’entretien autorisé n'utilisant que des pièces de rechange identiques.

Garantie limitée de trois ans

DEWALT réparera, sans frais, tout produit défectueux causé par un défaut de matériel ou de fabrication pour une période de trois ans à compter de la date d’achat. La présente garantie ne couvre pas les pièces dont la défectuosité a été causée par une usure normale ou l’usage abusif de l’outil. Pour obtenir de plus amples renseignements sur les pièces ou les réparations couvertes par la présente garantie, visiter le site www.dewalt.com ou composer le 1 800 433-9258 (1 800 4-DEWALT). Cette garantie ne s’applique pas aux accessoires et ne vise pas les dommages causés par des réparations effectuées par un tiers. Cette garantie confère des droits légaux particuliers à l’acheteur, mais celui-ci pourrait aussi bénéficier d’autres droits variant d’un état ou d’une province à l’autre.

En plus de la présente garantie, les outils DEWALT sont couverts par notre :

CONTRAT D'ENTRETIEN GRATUIT D'UN AN

DEWALT entretiendra l’outil et remplacera les pièces usées au cours d’une utilisation normale et ce, gratuitement, pendant une période d’un an à compter de la date d’achat, et la

GARANTIE DE REMBOURSEMENT DE 90 JOURS

Si l’acheteur n’est pas entièrement satisfait, pour quelque raison que ce soit, du rendement de l’outil électrique, du laser ou de la cloueuse DEWALT, celui-ci peut le retourner, accompagné d’un reçu, dans les 90 jours à compter de la date d’achat, pour obtenir un remboursement intégral, sans aucun problème.

Reglas generales de seguridad

▲ **¡ADVERTENCIA! Lea y comprenda todas las instrucciones.** No hacerlo puede originar riesgos de choque eléctrico, incendio y lesiones personales de gravedad.

CONSERVE ESTAS INSTRUCCIONES

Instrucciones de seguridad para todas las herramientas

AREA DE TRABAJO

- Conserve su área de trabajo limpia y bien iluminada.*** Las bancas amontonadas y las zonas oscuras propician los accidentes.
- No opere herramientas eléctricas en atmósferas explosivas, como en presencia de líquidos, gases o polvos inflamables.*** Las herramientas eléctricas producen chispas que pueden originar la ignición de los polvos o los vapores.
- Conserve a observadores, niños y visitantes alejados mientras opera una herramienta eléctrica.*** Las distracciones pueden ocasionar que pierda el control.

SEGURIDAD ELECTRICA

- Las herramientas con doble aislamiento están equipadas con una clavija polarizada (con una pata más ancha que la otra.)*** Esta clavija se acoplará únicamente en una toma de corriente polarizada de una manera. Si la clavija no se acopla al contacto, inviértala. Si aún así no se ajusta, comuníquese con un electricista calificado para que le instalen una toma de corriente polarizada apropiada. ☐ *El doble aislamiento elimina la necesidad de cables con tres hilos y sistemas de alimentación con conexión a tierra.*
- Evite el contacto corporal con superficies aterrizadas tales como tuberías, radiadores, hornos y refrigeradores.*** Hay un gran riesgo de choque eléctrico si su cuerpo hace tierra.
- No exponga las herramientas eléctricas a la lluvia o a condiciones de mucha humedad.*** El agua que se introduce en las herramientas aumenta el riesgo de descargas eléctricas.
- No maltrate el cable.*** Nunca tome el cable para transportar una herramienta ni para desconectarla de la toma de corriente. Consérvelo alejado de calor aceite, bordes afilados o piezas móviles. Cambie inmediatamente los cables dañados. Los cables dañados aumentan el riego de choque eléctrico.
- Cuando opere una herramienta eléctrica a la intemperie, utilice una extensión marcada “W-A” o “W”.*** Estas extensiones están clasificadas para uso a la intemperie y para reducir el riesgo de choques eléctricos. Cuando utilice una extensión, asegúrese de emplear una con el calibre suficiente para soportar la corriente necesaria para su herramienta. Una extensión con calibre inadecuado causará una caída en el voltaje de la línea resultando en pérdida de potencia y sobrecalentamiento. La tabla siguiente muestra el calibre correcto para usarse, relativo a la longitud de la extensión y el amperaje mencionado en la placa de identificación. Si tiene dudas, utilice el calibre siguiente. Mientras más pequeño sea el número del calibre, mayor será su capacidad.

Longitud total del cable de extensión						
25 ft.50 ft.	75 ft.	100 ft.	125 ft.	150 ft.	175 ft.	
7,6 m	15,2 m	22,9 m	30,5 m	38,1 m	45,7 m	53,3 m
Calibre promedio del alambre						
18 AWG	18 AWG	16 AWG	16 AWG	14 AWG	14 AWG	12 AWG

SEGURIDAD PERSONAL

- Esté alerta concéntrese en lo que está haciendo.*** Recorra al sentido común cuando opere una herramienta eléctrica. No opere ninguna herramienta si se encuentra fatigado o bajo la influencia de drogas, alcohol o medicamentos. Un momento de desatención mientras se operan heramientas eléctricas puede ocasionar lesiones graves.
- Vístase de manera adecuada.*** No tenga puestas ropas o artículos de joyería flojos. Cubra su cabello si lo tiene largo. Conserve su cabello, sus ropas y guantes alejados de las piezas móviles. Las piezas de vestir flojas, las joyas y el cabello largo pueden resultar atrapados por las piezas móviles.
- Evite el encendido accidental.*** Asegúrese que el interruptor esté en posición de apagado antes de conectar. Sostener una herramienta con el dedo en el interruptor o conectarla sin fijarse si el interruptor está en posición de encendido propicia los accidentes.
- Retire las llaves de ajuste antes de encender la herramienta.*** Una llave que se deja en una pieza giratoria puede ocasionar lesiones personales.
- No se sobreexienda.*** Conserve siempre los pies bien apoyados, al igual que el equilibrio. La posición correcta de los pies y el equilibrio permiten controlar mejor la herramienta en situaciones inesperadas.
- Utilice equipo de seguridad.*** Siempre utilice protección en los ojos. Se deben utilizar mascarilas contra polvo, zapatos antiderrapantes, casco o protectores para los oídos para tener las condiciones apropiadas.

USO Y CUIDADOS DE LA HERRAMIENTA

- Utilice prensas u otros medios prácticos para asegurar y apoyar la pieza de trabajo en una plataforma estable.*** Sujetar las piezas con la mano o contra su cuerpo es inestable y puede originar la pérdida de control.
- No fuerce la herramienta.*** Emplee la herramienta correcta para su aplicación. La herramienta correcta hará el trabajo mejor y de manera más segura y bajo las especificaciones para las que fue diseñada.
- No utilice la herramienta si el interruptor no enciende y apaga.*** Cualquier herramienta que no pueda controlarse por medio del interruptores peligrosa y debe reemplazarse.
- Desconecte la clavija de la toma de corriente antes de hacer cualquier ajuste, cambio de accesorios o de guardar la herramienta.*** Tales medidas de seguridad preventivas reducirán el riesgo de que la herramienta se encienda accidentalmente.
- Guarde las herramientas fuera del alcance de los niños y de otras personas no capacitadas.*** Las herramientas son peligrosas en manos de personas no capacitadas.
- Cuide sus herramientas.* Conserve las herramientas de corte afiladas y limpias. Las herramientas que reciben un mantenimiento adecuado, con piezas de corte afiladas, difícilmente se atascan y son más fáciles de controlar.
- Verifique la alineación de las piezas móviles, busque fracturas en las piezas y cualesquiera otras condiciones que puedan afectar la operación de las herramientas.*** Si está dañada, lleve su herramienta a servicio antes de usarla de nuevo. Muchos accidentes se deben a herramientas con mantenimiento pobre.
- Solamente use accesorios que el fabricante recomiende para su modelo de herramienta.*** Los accesorios que estén diseñados para una herramienta, pueden volverse peligrosos cuando se emplean con otra.

SERVICIO

- El servicio a las herramientas lo debe efectuar únicamente personal calificado.*** El servicio o mantenimiento realizado por personal no calificado puede originar riesgos de lesiones.
- Cuando efectúe servicio a una herramienta, utilice únicamente refacciones idénticas. Siga las instrucciones de la sección de Mantenimiento de este manual. El empleo de piezas no autorizadas o no seguir las instrucciones de mantenimiento puede originar riegos de choque eléctrico o lesiones.

Reglas adicionales de seguridad

- Tome la herramienta por las superficies aislantes de sujeción cuando realice una operación en que la herramienta de corte pueda hacer contacto con cables ocultos o con su propia extensión.*** El contacto con un cable “vivo” hará que las partes metálicas de la herramienta queden “vivas” y descarguen hacia el operador.
- Conserve los mangos secos, limpios, libres de aceite y grasa.*** Se recomienda el uso de guantes de goma. Esto le permitirá controlar mejor la herramienta.
- NO TOQUE NINGUNA PARTE METÁLICA DE LA HERRAMIENTA*** cuando perfore o atornille en muros, pisos o dondequiera que pueda encontrar cables eléctricos vivos. Tome la herramienta solamente por las superficies de sujeción aislantes para evitar el choque eléctrico en caso que perfore o atornille un cable eléctrico vivo.

▲ **ADVERTENCIA** : Parte del polvo creado al lijar, aserruchar, moler o perforar con máquina, así como al realizar otras actividades de la construcción, contiene sustancias químicas que se sabe producen cáncer, defectos congénitos u otras afecciones reproductivas. Algunos ejemplos de esas sustancias químicas son:

- plomo de pinturas a base de plomo,
- sílice cristalizado de ladrillos y cemento y otros productos de albañilería, y
- arsénico y cromo de la madera químicamente tratada (CCA).

El riesgo al contacto con estas sustancias varía, según la frecuencia en que se haga este tipo de trabajo. Para reducir la exposición a esas sustancias químicas: trabaje en un área bien ventilada, y trabaje con equipos de seguridad aprobados, tales como máscaras contra el polvo especialmente diseñadas para filtrar las partículas microscópicas.

- La etiqueta de su herramienta puede incluir los siguientes símbolos.

 V	volts	 A	amperes
 Hz	hertz	 W	watts
 min	minutos	 ~	corriente alterna
 ----	corriente directa	 no	velocidad sin carga
 	construcción clase II	 ⊕.....	terminales de conexión a tierra
 ▲	símbolo de alerta seguridad	 .../min	revoluciones o por minuto

Mango lateral

▲ **PRECAUCION:** Utilice el mango lateral siempre que se le proporcione y sujete el rotomartillo con ambas manos. Se suministra un mango lateral con este rotomartillo. Se sujeta al frente de la caja de engranes como se muestra en la (A) y se puede girar 360° para permitir el uso a mano izquierda.

Interruptor

Para encender el rotomartillo, presione el interruptor de gatillo (A). Para detener el rotomartillo, suelte el interruptor. El interruptor de gatillo de velocidad variable (A) permite controlar la velocidad. Cuanto más fuerte se pulse el interruptor de gatillo, mayor será la velocidad de taladrado.

NOTA: Utilice velocidades bajas para iniciar la perforación sin haber marcado un punto de centrado, para taladrar en metal, plástico o cerámica y para atornillar y desatornillar. Las velocidades altas son preferibles para obtener la máxima eficacia en la perforación de mamposterías.

Selector de modo Rotomartillo/Taladro

Para cambiar la herramienta de modo de taladro a modo de rotomartillo (o viceversa) gire la perilla que se encuentra en la parte superior de la unidad, ilustrada en la (C), hasta la posición que desee. Para taladrado simple, apunte el gráfico de la broca hacia el broquero. Para utilizar la unidad en modo de rotomartillo, apunte el gráfico del martillo hacia el broquero, como se muestra en la figura 2.

NOTA: El selector deberá estar siempre en alguna de las dos posiciones siempre. No hay posiciones de operación entre ambas.

Operación

TALADRADO

- Siempre desconecte el taladro cuando instale o cambie brocas o accesorios.
- Utilice exclusivamente brocas afiladas. PARA MADERA utilice la posición de velocidad baja y brocas helicoidales, brocas de horquilla, brocas de poder o brocas sierra. PARA METAL utilice la posición de velocidad baja y brocas helicoidales de alta velocidad o brocas sierra. PARA MAMPOSTERIA utilice brocas con punta de carburo de tungsteno. Utilice la posición de velocidad baja con brocas mayores a 3/8".
- Asegúrese que el material que va a barrenar esté firmemente anclado o asegurado. Si perforará material delgado, utilice un trozo de madera como “respaldo” para evitar dañarlo.
- Aplique presión al taladro en línea recta con la broca. Haga suficiente presión para que la broca siga perforando paro no tanta para que el motor se atasque o la broca se desvíe.
- Sujete el taladro firmemente para controlar la fuerza de torsión de la broca.
- SI EL TALADRO SE ATASCA**, esto se deberá probablemente a que está sobrecargado, o a que se usa de manera incorrecta. **SUELTE EL GATILLO DE INMEDIATO** y determine la causa del atascamiento. Retire la broca de la pieza de trabajo y comience de nuevo. **NO APIRIETE EL GATILLO PARA HACER PRUEBAS DE ENCENDIDO Y APAGADO CUANDO LA BROCA ESTÁ ATORADA, ESTO PUEDE DAÑAR EL TALADRO.**
- Para reducir el peligro de que se atasque el taladro, reduzca la presión y deje ir suavemente la broca hacia el final del barreno.
- Conserve el motor trabajando al retirar la broca del interior del barreno, de esta manera evitará que se atasque.
- Con los taladros con velocidad con velocidad variable no hay necesidad de hacer una marca de centro. utilice una velocidad baja para comenzar el barreno y acelere al oprimir el gatillo con mayor fuerza cuando el orificio tenga la profundidad suficiente para evitar que la broca se salga.

TALADRADO EN METAL

SOLAMENTE USE EL TALADRO en “velocidad baja”. Inicie la perforación a baja velocidad y vaya aumentándola a la potencia completa mientras aplica presión firme en la herramienta. El flujo uniforme y suave de rebabas indica que se taladra a la velocidad adecuada. Emplee un lubricante para corte cuando taladre en metales. Las excepciones son hierro el colado y el latón, que deben barrenarse en seco. Los lubricantes que mejor funcionan son el aceite sulfúrico y la manteca.

NOTA: Los barrenos grandes (5/6" a 1/2") en acero se pueden hacer con mayor facilidad si se barrena un orificio piloto (5/32" a 3/16") primero.

TALADRADO EN MADERA

SOLAMENTE USE EL TALADRO en “velocidad baja”. Inicie la perforación a baja velocidad y vaya aumentándola a la potencia completa mientras aplica presión firme en la herramienta. Se puede perforar madera con las mismas brocas helicoidales que se utilizan para metal. Estas deben estar afiladas y deben sacarse frecuentemente para limpiarlas de virutas. Los trabajos susceptibles de astillarse deben respaldarse con un bloque de madera.

TALADRADO EN MAMPOSTERIA

Cuando taladre en mampostería, utilice brocas con punta de carburo de tungsteno, clasificadas para percusión, y asegúrese que la punta tenga filo. Para barrenos hasta de 9,5 mm (3/8") de diámetro, utilice el engrane de velocidad alta. Para barrenos mayores, emplee el engrane de velocidad baja. Asegúrese de haber seleccionado el modo de rotomartillo. Utilice fuerza constante y firme en la herramienta para taladrar con mayor efectividad. El flujo uniforme de polvo indica que la velocidad de perforación es adecuada.

El Cambio rápido SDS Bota (Fig. 3)

El SDS bota puede ser quitado fácilmente girando el cuello (F) en la posición (G) destrancada para liberar el bota (Fig. 4). El SDS bota puede ser conectado fácilmente metiendo el bota en el eje del instrumento y la vuelta el cuello a la posición (H) cerrada. El bota hará clic cuando apropiadamente instalado.

Varilla de profundidad

Para ajustar la varilla de profundidad, afloje el mango, coloque la varilla de manera que la longitud proyectada de la broca por delante del extremo de la varilla sea igual a la profundidad deseada para el barreno. Cuando utilice la varilla de profundidad, deténgase cuando el extremo de la varilla alcance la superficie del material.

Mantenimiento

LIMPIEZA Y LUBRICACION

Solamente utilice jabón suave y agua para limpiar la herramienta. Nunca permita que ningún líquido se introduzca en la herramienta; nunca sumerja ninguna parte de la herramienta en ningún líquido.

Se han empleado balero autolubricantes en la herramienta y por tanto no requieren lubricación periódica. En el remoto caso que su herramienta llegue a requerir servicio, llévela a un centro de servicio autorizado.

Accesorios

Los accesorios recomendados para esta herramienta están a su disposición con costo extra con su distribuidor local o en los centros de servicio.

▲ **PRECAUCION:** El empleo de cualquier otro accesorio puede ser peligroso.

Dispone usted de los accesorios para su herramienta por un cargo adicional con su distribuidor local autorizado Se incluye una lista completa de los centros de servicio con su herramienta..Si necesita ayuda para encontrar cualquier accesorio, por favor comuníquese con DeWALT Industrial Tool Co., 701 East Joppa Road, Baltimore, MD 21286 o llame al teléfono 1-800-732-4441.

	CAPACIDADES MAXIMAS RECOMENDADAS
	DW568/DW570
CAPACIDAD MAXIMA	30 mm (1")
R.P.M.	0-730
BROCAS PARA METAL	13 mm (1/2")
BROCAS PARA MADERA	30 mm (1-1/8")
CAPACIDAD OPTIMAS	13mm (1/4") - 16mm(5/8")
BPM	0-3800

Importante

Para garantizar la SEGURIDAD y la CONFIABILIDAD del producto, deberán hacerse reparaciones, mantenimiento y ajustes (incluyendo revisión y cambio de los carbones) por centros autorizados de servicio u otras organizaciones calificadas que empleen siempre refacciones idénticas

Reparaciones

Para garantizar la SEGURIDAD y la CONFIABILIDAD, deberán hacerse reparaciones, mantenimiento y ajustes de esta herramienta en los centros autorizados de servicio DeWALT u otras organizaciones autorizadas. Estas organizaciones prestan servicio a las herramientas DeWALT y emplean siempre refacciones legítimas DeWALT.

Póliza de Garantía

IDENTIFICACIÓN DEL PRODUCTO:

Sello o firma del Distribuidor.

Nombre del producto: _____ Mod./Cat.: _____

Marca: _____ Núm. de serie: _____

(Datos para ser llenados por el distribuidor)

Fecha de compra y/o entrega del producto: _____

Nombre y domicilio del distribuidor donde se adquirió el producto: _____

Este producto está garantizado por un año a partir de la fecha de entrega, contra cualquier defecto en su funcionamiento, así como en materiales y mano de obra empleados para su fabricación. Nuestra garantía incluye la reparación o reposición del producto y/o componentes sin cargo alguno para el cliente, incluyendo mano de obra, así como los gastos de transportación razonablemente erogados derivados del cumplimiento de este certificado.

Para hacer efectiva esta garantía deberá presentar su herramienta y esta póliza sellada por el establecimiento comercial donde se adquirió el producto, de no contar con ésta, bastará la factura de compra.

EXCEPCIONES.

Esta garantía no será válida en los siguientes casos:

- Cuando el producto se hubiese utilizado en condiciones distintas a las normales;
- Cuando el producto no hubiese sido operado de acuerdo con el instructivo de uso que se acompaña;
- Cuando el producto hubiese sido alterado o reparado por personas distintas a las enlistadas al final de este certificado.

Anexo encontrará una relación de sucursales de servicio de fábrica, centros de servicio autorizados y franquiciados en la República Mexicana, donde podrá hacer efectiva su garantía y adquirir partes, refacciones y accesorios originales.

Garantía limitada por tres años

DeWALT reparará, sin cargo, cualquier falla que surja de defectos en el material o la fabricación del producto, por hasta tres años a contar de la fecha de compra. Esta garantía no cubre fallas de las piezas causadas por su desgaste normal o abuso a la herramienta. Para mayores detalles sobre la cobertura de la garantía e información acerca de reparaciones realizadas bajo garantía, visítenos en www.dewalt.com o diríjase al centro de servicio más cercano. Esta garantía no aplica a accesorios o a daños causados por reparaciones realizadas o intentadas por terceros. Esta garantía le otorga derechos legales específicos, además de los cuales puede tener otros dependiendo del estado o provincia en que se encuentre.

Además de la garantía, las herramientas DeWALT están cubiertas por:

1 AÑO DE SERVICIO GRATUITO

DeWALT mantendrá la herramienta y reemplazará las piezas gastadas por su uso normal, sin cobro, en cualquier momento durante un año a contar de la fecha de compra.

GARANTÍA DE REEMBOLSO DE SU DINERO POR 90 DÍAS

Si no está completamente satisfecho con el desempeño de su máquina herramienta, láser o clavadora DeWALT, cualquiera sea el motivo, podrá devolverlo hasta 90 días de la fecha de compra con su recibo y obtener el reembolso completo de su dinero – sin necesidad de responder a ninguna pregunta.

PARA REPARACIÓN Y SERVICIO DE SUS HERRAMIENTAS ELÉCTRICAS, FAVOR DE DIRIGIRSE AL CENTRO DE SERVICIO MÁS CERCANO

CULIACAN, SIN Av. Nicolás Bravo #1063 Sur - Col. Industrial Bravo	(667) 7 12 42 11
GUADALAJARA, JAL Av. La Paz #1779 - Col. Americana Sector Juárez	(33) 3825 6978
MEXICO, D.F. Eje Central Lázaro Cárdenas No. 18 Local D, Col. Obrera	(55) 5588 9377
MERIDA, YUC Calle 63 #459-A - Col. Centro	(999) 928 5038
MONTERREY, N.L. Av. Francisco I. Madero No.831 - Col. Centro	(81) 8375 2313
PUEBLA, PUE 17 Norte #205 - Col. Centro	(222) 246 3714
QUERETARO, QRO Av. Madero 139 Pte. - Col. Centro	(442) 214 1660
SAN LUIS POTOSI, SLP Av. Universidad 1525 - Col. San Luis	(444) 814 2383
TORREON, COAH Blvd. Independencia, 96 Pte. - Col. Centro	(871) 716 5265
VERACRUZ, VER Prolongación Díaz Mirón #4280 - Col. Remes	(229) 921 7016
VILLAHERMOSA, TAB Constitución 516-A - Col. Centro	(993) 312 5111
PARA OTRAS LOCALIDADES LLAME AL: (55) 5326 7100	

IMPORTADO: DeWALT S.A. DE C.V. BOSQUES DE CIDROS ACCESO RADIATAS NO. 42 COL. BOSQUES DE LAS LOMAS. 05120 MÉXICO, D.F. TEL. 326-7100	ESPECIFICIONES Tension de alimentación: Potencia nominal: Frecuencia de operación: Revoluciones por minuto Consumo de corriente:	D25404 120 v c.a.~ 900 W 50/60 Hz 0-730 8,3A
Para servicio y ventas consulte "HERRAMIENTAS ELÉCTRICAS" en la sección amarilla.	