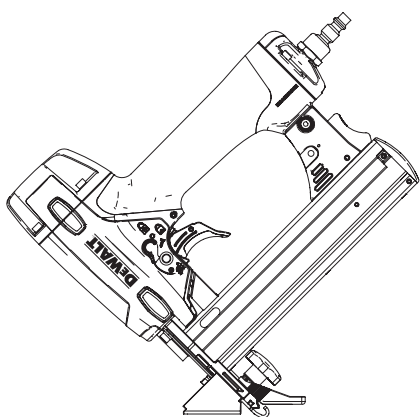


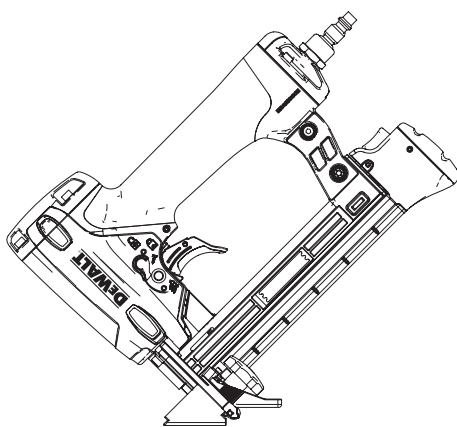
# DEWALT®



**Instruction Manual  
Guide D'utilisation  
Manual de instrucciones**



**DWEHF1838K**



**DWLHF2025K**

## **DWEHF1838K, DWLHF2025K**

**Hardwood Flooring Staplers**

**Engrapadoras Para Pisos De Madera**

**Agrafeuses Pour Bois Dur à Parquet**

**[www.DEWALT.com](http://www.DEWALT.com)**

**If you have questions or comments, contact us.  
Pour toute question ou tout commentaire, nous contacter.  
Si tiene dudas o comentarios, contáctenos.**

**1-800-4-DEWALT**

# INTRODUCTION

---

The DEWALT DWEHF1838K and DWLHF2025K are precision-built tools, designed for high speed, high volume fastening. These tools will deliver efficient, dependable service when used correctly and with care. As with any fine power tool, for best performance the manufacturer's instructions must be followed. Please study this manual before operating the tool and understand the safety warnings and cautions. The instructions on installation, operation and maintenance should be read carefully, and the manuals kept for reference.

**NOTE:** Additional safety measures may be required because of your particular application of the tool. Contact your DEWALT representative or distributor with any questions concerning the tool and its use. DEWALT Industrial Tool Co., 701 East Joppa Road, Towson, MD 21286, call 1-800-4-DEWALT (1-800-433-9258) or visit our website: [www.dewalt.com](http://www.dewalt.com).

# INDEX

---

Safety Instructions . . . . .	3
Tool Components . . . . .	4
Tool/Fastener Specifications . . . . .	5
Air Supply and Connections . . . . .	6
Loading the Tool . . . . .	7
Adjustment Instructions . . . . .	8
Tool Operation . . . . .	10
Tool Operation Check . . . . .	11
Maintaining the Pneumatic Tool . . . . .	11
Troubleshooting . . . . .	12
Maintenance Checklist . . . . .	13
Other DEWALT Flooring Products . . . . .	14

# NOTE:

---

DEWALT tools have been engineered to provide excellent customer satisfaction and are designed to achieve maximum performance when used with precision DEWALT fasteners engineered to the same exacting standards. **DEWALT cannot assume responsibility for product performance if our tools are used with fasteners or accessories not meeting the specific requirements established for genuine DEWALT nails, staples and accessories.**

# SEVEN YEAR LIMITED WARRANTY

---

DEWALT will repair, without charge, any defects due to faulty materials or workmanship for seven years from the date of purchase. This warranty does not cover part failure due to normal wear or tool abuse. For further detail of warranty coverage and warranty repair information, visit [www.dewalt.com](http://www.dewalt.com) or call 1-800-4-DEWALT (1-800-433-9258). This warranty does not apply to accessories or damage caused where repairs have been made or attempted by others. This warranty gives you specific legal rights and you may have other rights which vary in certain states or provinces.

In addition to the warranty, DEWALT tools are covered by our:

## 1 YEAR FREE SERVICE

DEWALT will maintain the tool and replace worn parts caused by normal use, for free, any time during the first year after purchase. Nailer wear items, such as o-rings and driver blades, are not covered.

## 90 DAY MONEY BACK GUARANTEE

If you are not completely satisfied with the performance of your DEWALT Power Tool, Laser, or Nailer for any reason, you can return it within 90 days from the date of purchase with a receipt for a full refund – no questions asked.

**LATIN AMERICA:** This warranty does not apply to products sold in Latin America. For products sold in Latin America, see country specific warranty information contained in the packaging, call the local company or see website for warranty information.

**FREE WARNING LABEL REPLACEMENT:** If your warning labels become illegible or are missing, call 1-800-4-DEWALT (1-800-433-9258) for a free replacement.

## SAFETY INSTRUCTIONS

**▲ WARNING:** **EYE PROTECTION** which conforms to ANSI specifications and provides protection against flying particles both from the **FRONT** and **SIDE** should **ALWAYS** be worn by the operator and others in the work area when connecting to air supply, loading, operating or servicing this tool. Eye protection is required to guard against flying fasteners and debris, which could cause severe eye injury.



The employer and/or user must ensure that proper eye protection is worn. Eye protection equipment must conform to the requirements of the American National Standards Institute, ANSI Z87.1 and provide both frontal and side protection. **NOTE:** Non-side shielded spectacles and face shields alone do not provide adequate protection.



**▲ CAUTION:** Additional Safety Protection will be required in some environments. For example, the working area may include exposure to noise level which can lead to hearing damage. The employer and user must ensure that any necessary hearing protection is provided and used by the operator and others in the work area. Some environments will require the use of head protection equipment. When required, the employer and user must ensure that head protection conforming to ANSI Z89.1 is used.

## AIR SUPPLY AND CONNECTIONS

**▲ WARNING:** Do not use oxygen, combustible gases, or bottled gases as a power source for this tool as tool may explode, possibly causing injury.

**▲ WARNING:** Do not use supply sources which can potentially exceed 200 psig (14 kg/cm<sup>2</sup>) as tool may burst, possibly causing injury.

**▲ WARNING:** The connector on the tool must not hold pressure when air supply is disconnected. If a wrong fitting is used, the tool can remain charged with air after disconnecting and thus will be able to drive a fastener even after the air line is disconnected possibly causing injury.

**▲ WARNING:** Do not pull trigger or depress contact arm while connected to the air supply as the tool may cycle, possibly causing injury.

**▲ WARNING:** Always disconnect air supply: 1.) Before making adjustments; 2.) When servicing the tool; 3.) When clearing a jam; 4.) When tool is not in use; 5.) When moving to a different work area, as accidental actuation may occur, possibly causing injury.

## LOADING TOOL

**▲ WARNING:** When loading tool: 1.) Never place a hand or any part of body in fastener discharge area of tool; 2.) Never point tool at anyone; 3.) Do not pull the trigger or depress the trip as accidental actuation may occur, possibly causing injury.

## OPERATION

**▲ WARNING:** Always handle the tool with care: 1.) Never engage in horseplay; 2.) Never pull the trigger unless nose is directed toward the work; 3.) Keep others a safe distance from the tool while tool is in operation as accidental actuation may occur, possibly causing injury.

**▲ WARNING:** The operator must not hold the trigger pulled on contact arm tools except during fastening operation as serious injury could result if the trip accidentally contacted someone or something, causing the tool to cycle.

**▲ WARNING:** Keep hands and body away from the discharge area of the tool. A contact arm tool may bounce from the recoil of driving a fastener and an unwanted second fastener may be driven possibly causing injury.

**▲ WARNING:** Check operation of the contact arm mechanism frequently. Do not use the tool if the arm is not working correctly as accidental driving of a fastener may result. Do not interfere with the proper operation of the contact arm mechanism.

**▲ WARNING:** Do not drive fasteners on top of other fasteners or with the tool at an overly steep angle as this may cause deflection of fasteners which could cause injury.

**▲ WARNING:** Do not drive fasteners close to the edge of the work piece as the wood may split, allowing the fastener to be deflected possibly causing injury.

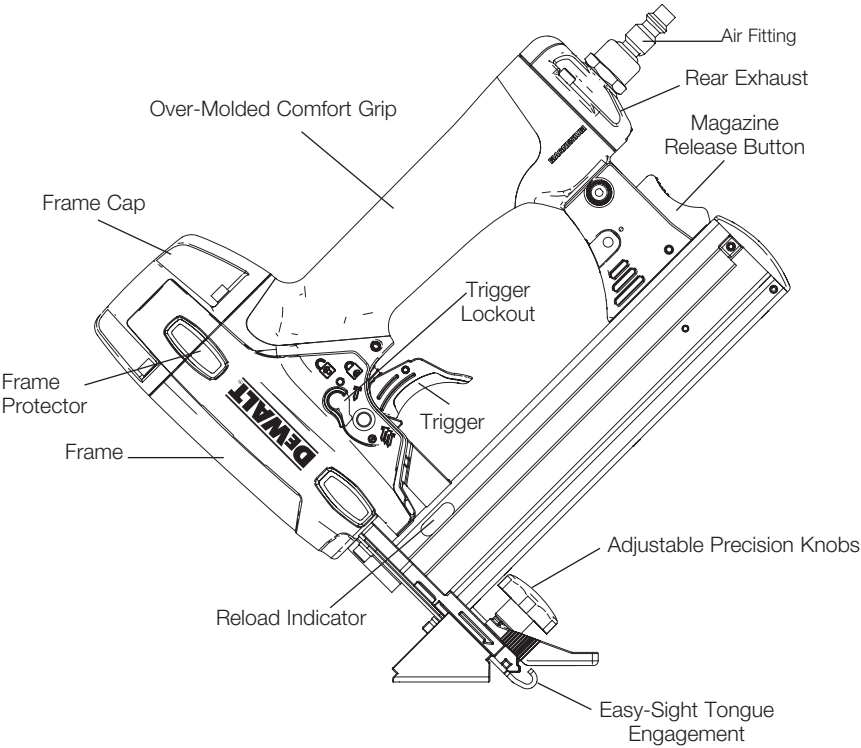
**▲ WARNING:** This nailer produces SPARKS during operation. NEVER use the nailer near flammable substances, gases or vapors including lacquer, paint, benzene, thinner, gasoline, adhesives, mastics, glues or any other material that is -- or the vapors, fumes or by-products of which are -- flammable, combustible or explosive. Using the nailer in any such environment could cause an EXPLOSION resulting in personal injury or death to user and bystanders.

# MAINTAINING THE TOOL

**▲WARNING:** When working on air tools note the warnings in this manual and use extra care when evaluating problem tools.

**▲WARNING:** If the tool has been dropped or you suspect tool damage perform tool operation check as defined in the tool operation check section.

# TOOL COMPONENTS



## TOOL SPECIFICATIONS

All dimensions in inches unless otherwise specified.

	DWEHF1838K	DWLHF2025K
<b>Description</b>	18-ga Flooring Stapler	20-ga Flooring Stapler
<b>Engine Type</b>	Oil-free	Oil-free
<b>Operation Pressure Range</b>	70-120 psig (4.9 - 8.4 kg/cm <sup>2</sup> )	70-120 psig (4.9 - 8.4 kg/cm <sup>2</sup> )
<b>Maximum Operation Pressure</b>	120 psig (8.4 kg/cm <sup>2</sup> )	120 psig (8.4 kg/cm <sup>2</sup> )
<b>Fastener Type</b>	DNS181XX-2 Series	DWCS20100
<b>Fastener Gauge</b>	18 Gauge	20 Gauge
<b>Fastener Range</b>	1" - 1-1/2" (25 mm - 38 mm)	1" (25 mm)
<b>Magazine Capacity</b>	100	125
<b>Length</b>	9-1/4" (235 mm)	9-1/4" (235 mm)
<b>Width</b>	2-3/4" (70 mm)	2-3/4" (70 mm)
<b>Height</b>	9-7/8" (251 mm)	8.5" (216 mm)
<b>Weight</b>	3.5 lb (1.57 kg)	2.9 lb (1.32 kg)

### Operating Pressure

70 to 120 psig (4.9 - 8.4 kg/cm<sup>2</sup>). Select the operating pressure in this range for best fastener performance.

#### DO NOT EXCEED THIS RECOMMENDED OPERATING PRESSURE.

The DWEHF1838K requires 1.94 cubic feet per minute or cfm (55 liters per minute or L/min) of free air at 80 PSI (5.6 kg/cm<sup>2</sup>) to operate at a rate of 60 fasteners per minute. The DWLHF2025K requires 1.90 cubic feet per minute or cfm (54 liters per minute or L/min) of free air at 80 PSI (5.6 kg/cm<sup>2</sup>) to operate at a rate of 60 fasteners per minute. To determine the appropriately sized air compressor, take the actual rate at which the tool will be run and compare the required cfm (L/min) to the compressor's free air delivery (cfm or L/min) at 80 PSI (5.6 kg/cm<sup>2</sup>).

For example, if your fastener usage averages 30 fasteners per minute, you need 50% of the required air volume (cfm or L/min) that is required to operate the tool at the rate of 60 fasteners per minute. In this case, be sure that your air compressor can deliver a minimum of 0.97 cfm (27.5 L/min) at 80 PSI (5.6 kg/cm<sup>2</sup>) for optimum performance.

## FASTENER SPECIFICATIONS

Tool Model	Fastener Type	Fastener SKU	Crown Width	Gauge	Length
DWEHF1838K	Staples	DNS18100-2	1/4" (6.3 mm)	18	1" (25 mm)
		DNS18125-2	1/4" (6.3 mm)	18	1-1/4" (31.75 mm)
		DNS18150-2	1/4" (6.3 mm)	18	1-1/2" (38 mm)
DWLHF2025K	Staples	DWCS20100	3/16" (4.7 mm)	20	1" (25 mm)

\*Visit [www.DEWALT.com](http://www.DEWALT.com) for further details.

### NOTE:

DEWALT tools have been engineered to provide superior customer satisfaction and are designed to achieve maximum performance when used with precision DEWALT fasteners engineered to the same exacting standards. **DEWALT cannot assume responsibility for product performance if our tools are used with fasteners or accessories not meeting the specific requirements established for genuine DEWALT fasteners and accessories.**

## AIR SUPPLY AND CONNECTIONS

**⚠WARNING:** Do not use oxygen, combustible gases, or bottled gases as a power source for this tool as tool may explode, possibly causing injury.

### **FITTINGS**

Install a male plug on the tool which is free flowing and which will release air pressure from the tool when disconnected from the supply source.

### **HOSES**

Air hoses should have a minimum of 150 psig (10.6 kg/cm<sup>2</sup>) working pressure rating or 150 percent of the maximum pressure that could be produced in the air system. The supply hose should contain a fitting that will provide "quick disconnecting" from the male plug on the tool.

### **SUPPLY SOURCE**

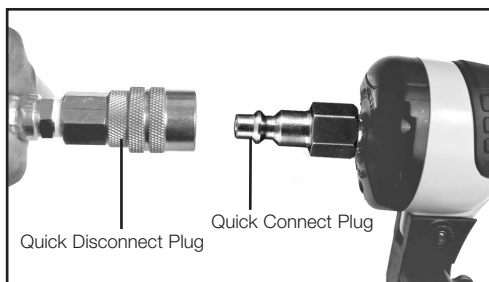
Use only clean regulated compressed air as a power source for this tool. NEVER USE OXYGEN, COMBUSTIBLE GASES, OR BOTTLED GASES, AS A POWER SOURCE FOR THIS TOOL AS TOOL MAY EXPLODE.

### **REGULATOR**

A pressure regulator with an operating pressure of 0 - 125 psig (0 - 8.8 kg/cm<sup>2</sup>) is required to control the operating pressure for safe operation of this tool. Do not connect this tool to air pressure which can potentially exceed 200 psig (14 kg/cm<sup>2</sup>) as tool may fracture or burst, possibly causing injury.

### **OPERATING PRESSURE**

Do not exceed recommended maximum operating pressure as tool wear will be greatly increased. The air supply must be capable of maintaining the operating pressure at the tool. Pressure drops in the air supply can reduce the tool's driving power. Refer to "TOOL SPECIFICATIONS" for setting the correct operating pressure for the tool.



## LOADING THE DWEHF1838K & DWLHF2025K

**⚠ WARNING:**



**EYE PROTECTION** which conforms to ANSI specifications and provides protection against flying particles both from the **FRONT** and **SIDE** should **ALWAYS** be worn by the operator and others in the work area when connecting to air supply, loading, operating or servicing this tool. Eye protection is required to guard against flying fasteners and debris, which could cause severe eye injury.

The employer and/or user must ensure that proper eye protection is worn. Eye protection equipment must conform to the requirements of the American National Standards Institute, ANSI Z87.1 and provide both frontal and side protection. **NOTE:** Non-side shielded spectacles and face shields alone do not provide adequate protection.

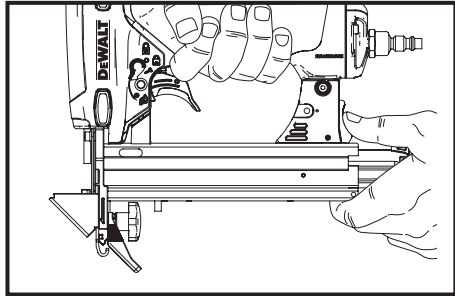
**⚠ WARNING:**

**TO PREVENT ACCIDENTAL INJURIES:**

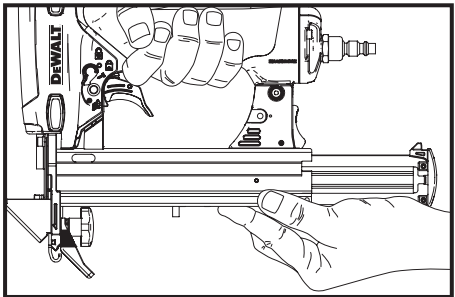
- Never place a hand or any other part of the body in nail discharge area of tool while the air supply is connected.
- Never point the tool at anyone else.
- Never engage in horseplay.
- Never pull the trigger unless nose is directed at the work.
- Always handle the tool with care.
- Do not pull the trigger or depress the trip mechanism while loading the tool.

### LOADING THE DWEHF1838K & DWLHF2025K

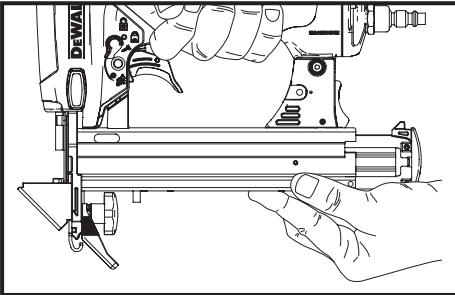
1. Depress magazine release button and pull back magazine.



2. Open magazine fully and turn tool sideways with discharge area pointed away from yourself and others. Load staples in channel.

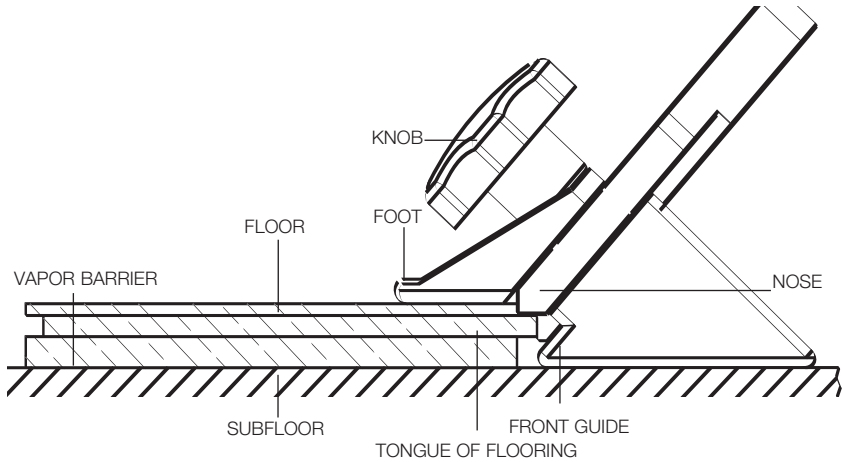


3. Push magazine forward until latch is engaged.



# ADJUSTMENT INSTRUCTIONS

---

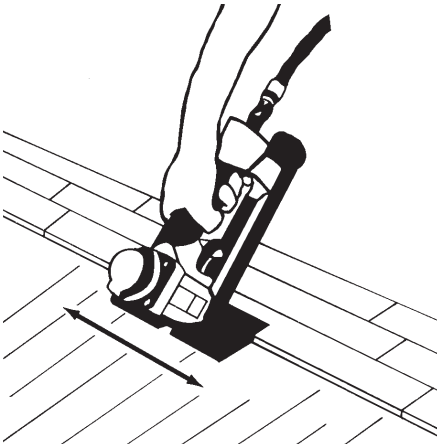


## **TO ADJUST THE TOOL TO THE FLOORING**

1. Loosen both Knobs until the Foot and Front Guide move freely.
2. Engage the Nose with the Tongue of Flooring.
3. Push the Front Guide to the subfloor and the Foot to the flooring.
4. Tighten both Knobs.

**Refer to the flooring manufactures installation instructions for proper fastener and fastening technique.**

**IMPORTANT:** Test the tool on a scrap piece of flooring to ensure proper staple placement and compatibility. DEWALT cannot assume responsibility for product performance if the tool is used improperly or not in accordance with the flooring manufacturer's installation instructions.



With tool properly located on tongue of flooring, slide the tool along the tongue without lifting the tool off the floor while fastening as shown above and to the left.

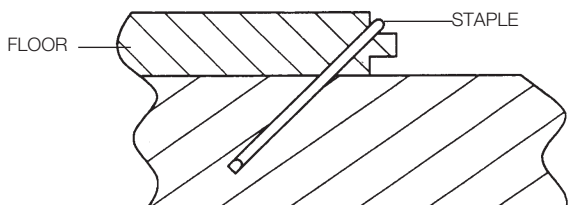
---

### **AIR PRESSURE:**

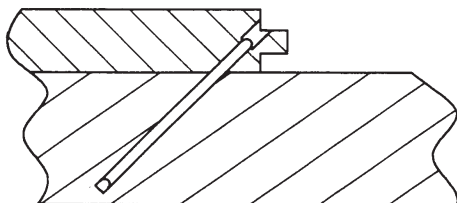
Air pressure must be adjusted to properly countersink the staples. Air pressure should be set using a scrap piece of flooring to adjust the air pressure for correct countersinking. (See following page)



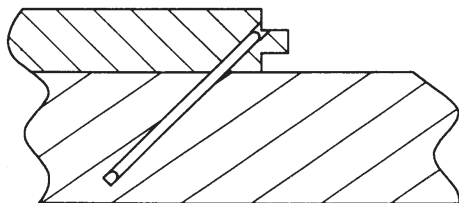
**⚠ WARNING:** BEFORE OPERATING THIS TOOL, STUDY THESE INSTRUCTIONS AND OPERATION AND MAINTENANCE MANUAL FOR YOUR TOOL TO UNDERSTAND THE SAFETY WARNINGS AND INSTRUCTIONS. IF YOU HAVE ANY QUESTIONS, CONTACT YOUR DEWALT REPRESENTATIVE OR DISTRIBUTOR. SAVE THESE INSTRUCTIONS FOR FUTURE REFERENCE.



- Air pressure too low.
- Staple crown above tongue.
- Increase air pressure.



- Air pressure too high.
- Staple buried.
- Lower air pressure.



- Correct air pressure.
- Staple just below surface.

## TOOL OPERATION

---



**EYE PROTECTION** which conforms to ANSI specifications and provides protection against flying particles both from the **FRONT** and **SIDE** should **ALWAYS** be worn by the operator and others in the work area when connecting to air supply, loading, operating or servicing this tool. Eye protection is required to guard against flying fasteners and debris, which could cause severe eye injury.

**▲WARNING:** The employer and/or user must ensure that proper eye protection is worn. Eye protection equipment must conform to the requirements of the American National Standards Institute, ANSI Z87.1 and provide both frontal and side protection. **NOTE:** Non-side shielded spectacles and face shields alone do not provide adequate protection.

### **BEFORE HANDLING OR OPERATING THIS TOOL:**

- I. **READ AND UNDERSTAND THE WARNINGS CONTAINED IN THIS MANUAL.**
- II. **REFER TO “TOOL SPECIFICATIONS” IN THIS MANUAL TO IDENTIFY THE OPERATING SYSTEM ON YOUR TOOL.**

## OPERATION

---

**▲WARNING:** The operator must not hold the trigger pulled on contact trip tools except during fastening operation, as serious injury could result if the trip accidentally contacted someone or something, causing the tool to cycle.

**▲WARNING:** Keep hands and body away from the discharge area of the tool. A contact trip tool may bounce from the recoil of driving a fastener and an unwanted second fastener may be driven, possibly causing injury.

### **SEQUENTIAL TRIP OPERATION:**

In SEQUENTIAL TRIP MODE the contact trip operates in conjunction with the trigger to drive a fastener. To operate a sequential trip tool, first position the contact trip on the work surface **WITHOUT PULLING THE TRIGGER**. Depress the contact trip and then pull the trigger to drive a fastener. As long as the contact trip is contacting the work and is held depressed, the tool will drive a fastener each time the trigger is depressed. If the contact trip is allowed to leave the work surface, the sequence described above must be repeated to drive another fastener.

**▲WARNING:** If the tool has been dropped or you suspect tool damage perform tool operation check as defined in the tool operation check section.

## IN ADDITION TO THE OTHER WARNINGS CONTAINED IN THIS MANUAL OBSERVE THE FOLLOWING FOR SAFE OPERATION

---

- Use the DEWALT pneumatic tool only for the purpose for which it was designed.
- Never use this tool in a manner that could cause a fastener to be directed toward the user or others in the work area.
- Do not use the tool as a hammer.
- Always carry the tool by the handle. Never carry the tool by the air hose.
- Do not alter or modify this tool from the original design or function without approval from DEWALT.
- Always be aware that misuse and improper handling of this tool can cause injury to yourself and others.
- Never clamp or tape the trigger or contact trip in an actuated position.
- Never leave a tool unattended with the air hose attached.
- Do not operate this tool if it does not contain a legible **WARNING LABEL**.
- Do not continue to use a tool that leaks air or does not function properly. Notify your nearest DEWALT representative if your tool continues to experience functional problems.

## TOOL OPERATION CHECK

**▲ CAUTION:** Remove all fasteners from tool before performing tool operation check.

**▲ WARNING:** If the tool is dropped or you suspect tool damage perform tool operation check.

### SEQUENTIAL TRIP OPERATION:

A. Press the contact trip against the work surface, without touching the trigger.

**THE TOOL MUST NOT CYCLE.**

B. Hold the tool off the work surface and pull the trigger.

**THE TOOL MUST NOT CYCLE.**

Release the trigger. The trigger must return to the trigger stop on the frame.

C. Pull the trigger and press the contact trip against the work surface.

**THE TOOL MUST NOT CYCLE.**

D. With finger off the trigger, press the contact trip against the work surface. Pull the trigger.

**THE TOOL MUST CYCLE.**

## MAINTAINING THE PNEUMATIC TOOL

**▲ WARNING:** When working on air tools, note the warnings in this manual and use extra care evaluating problem tools.

**▲ WARNING:** If the tool has been dropped or you suspect tool damage perform tool operation check as defined in the tool operation check section.

**▲ CAUTION:** Pusher spring (constant force spring). Caution must be used when working with the spring assembly. The spring is wrapped around, but not attached to, a roller. If the spring is extended beyond its length, the end will come off the roller and the spring will roll up with a snap, with a chance of pinching your hand. Also the edges of the spring are very thin and could cut. Care must also be taken to insure no permanent kinks are put in the spring as this will reduce the springs force.

### REPLACEMENT PARTS

Use only genuine DEWALT replacement parts. Do not use modified parts.

### ASSEMBLY PROCEDURE FOR SEALS

When repairing a tool, make sure the internal parts are clean and lubricated. Use Parker "O"-LUBE, Magnalube, or equivalent on all "O"-rings. Coat each "O"-ring with lubricant before assembling.

### AIR SUPPLY-PRESSURE AND VOLUME

Air volume is as important as air pressure. The air volume supplied to the tool may be inadequate because of undersize fittings and hoses, or from the effects of dirt and water in the system. Restricted air flow will prevent the tool from receiving an adequate volume of air, even though the pressure reading is high. The results will be slow operation, misfeeds or reduced driving power. Before evaluating tool problems for these symptoms, trace the air supply from the tool to the supply source for restrictive connectors, low points containing water and anything else that would prevent full volume flow of air to the tool.

# TROUBLESHOOTING

PROBLEM	CAUSE	CORRECTION
<b>Trigger valve housing leaks air</b>	O-ring cut or cracked.....	Replace O-ring
<b>Trigger valve stem leaks air</b>	O-ring/seals cut or cracked.....	Replace trigger valve assembly
<b>Frame/nose leaks air</b>	O-ring or gasket is cut or cracked.....	Replace O-ring or gasket
	Bumper cracked/worn.....	Replace bumper
<b>Frame/cap leaks air</b>	Damaged gasket or seal.....	Replace gasket or seal
	Cracked/worn head valve.....	Replace head valve
	Loose cap screws.....	Tighten and recheck
<b>Failure to cycle</b>	Air supply restriction.....	Check air supply equipment
	Worn head valve.....	Replace head valve
	Broken cylinder cap spring.....	Replace cylinder cap spring
	Head valve stuck in cap.....	Disassemble / Check / Lubricate
<b>Lack of power; slow to cycle</b>	Broken cylinder cap spring.....	Replace cap spring
	Rings/seals cut or cracked.....	Replace rings/seals
	Exhaust blocked.....	Check bumper, head valve spring
	Trigger assembly worn/leaks.....	Replace trigger assembly
	Dirt/tar build up on driver.....	Disassemble nose/driver to clean
	Cylinder sleeve not seated correctly on bottom bumper.....	Disassemble to correct
	Air pressure too low.....	Check air supply equipment
<b>Skipping fasteners; intermittent feed</b>	Worn bumper.....	Replace bumper
	Tar/dirt in driver channel.....	Disassemble and clean nose and driver
	Air restriction/inadequate air flow through quick disconnect socket and plug.....	Replace quick disconnect fittings
	Worn piston ring.....	Replace ring, check driver
	Damaged pusher spring.....	Replace spring
	Low air pressure.....	Check air supply system to tool
	Loose magazine nose screws.....	Tighten all screws
	Fasteners too short for tool.....	Use only recommended fasteners
	Bent fasteners.....	Discontinue using these fasteners
	Wrong size fasteners.....	Use only recommended fasteners
	Leaking head cap gasket.....	Tighten screws/replace gasket
	Trigger valve O-ring cut/worn.....	Replace O-ring
	Broken/chipped driver.....	Replace driver (check piston ring)
	Dry/dirty magazine.....	Clean/lubricate use DEWALT Air Tool Lubricant
	Worn magazine.....	Replace magazine
<b>Fasteners jam in tool</b>	Driver channel worn.....	Replace nose/check door
	Wrong size fasteners.....	Use only recommended fasteners
	Bent fasteners.....	Discontinue using these fasteners
	Loose magazine/nose screws.....	Tighten all screws
	Broken/chipped driver.....	Replace driver

## **MAINTENANCE CHECKLIST**

<b>Maintenance</b>	<b>Benefit</b>	<b>Procedure</b>	<b>Service Interval</b>
Inspect trigger performance	Ensure trigger system is in proper working order	Refer to Tool Operation Check section in this manual	Daily
Drain condensation from air compressor tanks and air filters (if present)	Prevents accumulation of moisture that can impede tool performance	Open drain cock on tanks and air filters and drain all condensate	Daily
Clean magazine assembly	Prevents accumulation of debris that could cause a jam	Blow clean with compressed air	Daily
Clean nose assembly	Prevents accumulation of debris that could cause a jam	Blow clean with compressed air	Daily
Ensure all fasteners remain tight	Prevent loose parts	Tighten all fasteners with appropriately sized hex wrench	Weekly
Replace air fitting	Maintains proper air flow to engine for peak performance	Remove worn air fitting and replace with new fitting	50,000 Fasteners
Replace piston/driver assembly	Maintains consistent drive quality	Refer to replacement part kit instructions	150,000 Fasteners
Replace O-rings	Maintains engine for peak performance	Refer to replacement part kit instructions	250,000 Fasteners
Replace bumper	Maintains engine for peak performance	Refer to replacement part kit instructions	250,000 Fasteners
Replace headvalve	Maintains engine for peak performance	Refer to replacement part kit instructions	250,000 Fasteners
Replace engine cylinder	Maintains engine for peak performance	Refer to replacement part kit instructions	500,000 Fasteners

**OTHER DEWALT FLOORING PRODUCTS**

---



**DWMIIIFS**  
15.5 GAUGE  
FLOORING STAPLER



**DWMIIIFN**  
16 GAUGE FLOORING NAILER



**DWMFN-201**  
16 GAUGE MANUAL  
FLOORING NAILER



**DWFP12569**  
2-IN-1 15.5 GAUGE FLOORING  
STAPLER AND 16 GAUGE  
CLEAT NAILER

**For more information log on to:**  
**[www.DEWALT.com](http://www.DEWALT.com)**

# INTRODUCCIÓN

Los modelos DEWALT DWEHF1838K y DWLHF2025K son herramientas construidas a precisión, diseñadas para funcionar a alta velocidad y con alto volumen. Estas herramientas entregan un servicio eficiente y fiable cuando se usan correctamente y con cuidado. Al igual que con toda herramienta automática de calidad, deben seguirse las instrucciones del fabricante para obtener el óptimo rendimiento. Estudie este manual antes de operar la herramienta y tome nota de las advertencias y precauciones de seguridad. Deben leerse en detalle las instrucciones sobre la instalación, operación y mantenimiento, y deben conservarse los manuales para referencia. **NOTA:** Pueden necesitarse medidas adicionales de seguridad según la aplicación particular de la herramienta. Comuníquese con su representante o distribuidor de DeWALT por cualquier pregunta sobre la herramienta y su uso. DEWALT Industrial Tool Co., 701 East Joppa Road, Towson, MD 21286, llamada 1-800-4-DEWALT (1-800-433-9258) o visite nuestro sitio web [www.dewalt.com](http://www.dewalt.com).

# ÍNDICE

Instrucciones de seguridad . . . . .	16
Componentes de las herramientas . . . . .	17
Especificaciones de la herramienta/Sujetador . . . . .	18
Suministro de aire y conexiones . . . . .	19
Cargar la herramienta . . . . .	20
Instrucciones de ajuste . . . . .	21
Operación de la herramienta . . . . .	23
Revisión funcional de la herramienta . . . . .	24
Mantenimiento de la herramienta neumática . . . . .	24
Solución de problemas . . . . .	25
Lista de verificación de mantenimiento . . . . .	26
Otros productos DEWALT para pisos . . . . .	27

## NOTA:

Las herramientas DEWALT se han diseñado para brindar una satisfacción excelente al cliente y lograr máximo rendimiento al utilizarse con fijaciones de precisión DEWALT diseñadas con las mismas normas estrictas. **DEWALT no puede asumir responsabilidad alguna por el rendimiento del producto si se utilizan nuestras herramientas con fijaciones o accesorios que no reúnen los requisitos específicos establecidos para los clavos, grapas y accesorios genuinos de DEWALT.**

# GARANTÍA LIMITADA POR SIETE AÑOS

DEWALT reparará, sin cargo alguno, los defectos en materiales o por mano de obra defectuosa por siete años a partir de la fecha de compra. Esta garantía no cubre la falla de piezas debido al desgaste normal o abuso de la herramienta. Para obtener más información sobre la cobertura de la garantía y la información de reparación de la garantía, visite [www.dewalt.com](http://www.dewalt.com) o llame al 1 800 433-9258 (1 800 4-DEWALT). Esta garantía no se aplica a accesorios o daños causados en caso de que terceros realicen o intenten realizar reparaciones. Esta garantía le proporciona derechos legales específicos y usted puede tener otros derechos que varían en ciertos estados o provincias.

Además de esta garantía, las herramientas DEWALT están cubiertas por nuestro:

## SERVICIO GRATUITO DE 1 AÑO

DEWALT mantendrá la herramienta y reemplazará las piezas desgastadas por el uso normal sin costo y en cualquier momento durante el primer año después de la compra. Los elementos que sufren desgaste de la clavadora, como juntas tóricas y hojas de transmisión, no están cubiertos.

## GARANTÍA DE REEMBOLSO DE 90 DÍAS

Si usted no está completamente satisfecho con el rendimiento de su herramienta eléctrica, láser o clavadora DEWALT por algún motivo, puede devolverlos dentro de los 90 días posteriores a la fecha de compra con un recibo para obtener un reembolso completo, sin ninguna pregunta.

**AMÉRICA LATINA:** Esta garantía no es de aplicación a productos vendidos en América Latina. Para productos vendidos en América Latina, consulte la información de la garantía específica del país incluida en el embalaje, contacte a la compañía local o consulte el sitio web para obtener información acerca de la garantía.

**REEMPLAZO GRATUITO DE LA ETIQUETA DE ADVERTENCIA:** Si sus etiquetas de advertencia son ilegibles o se extravian, llame al 1 800 433-9258 (1 800 4-DEWALT) para obtener un reemplazo gratuito.

## INSTRUCCIONES DE SEGURIDAD

**⚠ ADVERTENCIA:** El operador y otros en el área SIEMPRE deben llevar **PROTECCIÓN OCULAR** en conformidad con las especificaciones ANSI y que proteja contra partículas que vuelen por DELANTE y por el LADO, cuando se haga la conexión al suministro de aire, así como al cargar, operar o dar servicio a esta herramienta. Se exige protegerse la vista para resguardarse contra fijaciones o residuos que vuelen, lo cual puede causar lesiones graves a los ojos.



El empleador y/o el usuario deben asegurar que se protejan debidamente los ojos. El equipo de protección ocular debe estar en conformidad con los requisitos del Instituto Nacional Americano de Normas (American National Standards Institute), ANSI Z87.1 y proteger por delante y por el costado. NOTA: Los anteojos o caretas sin protección lateral por sí solos no dan una protección adecuada.



**⚠ ATENCIÓN:** En algunos ambientes se necesitará protección adicional de seguridad. Por ejemplo, el área de trabajo puede exponer a un nivel de ruido que lesione el oído. El empleador y el usuario deben comprobar que se cuente con la protección necesaria del oído y que el operador y los demás presentes en el área la usen. Algunos ambientes exigirán el uso de casco protector. Cuando sea necesario, el empleador y el usuario deben verificar que se proteja la cabeza en conformidad con la norma ANSI Z89.1.

## SUMINISTRO DE AIRE Y CONEXIONES

**⚠ ADVERTENCIA:** No use oxígeno, gases combustibles ni gases envasados en cilindros para operar esta herramienta porque puede explotar, causando posibles lesiones.

**⚠ ADVERTENCIA:** No use fuentes de suministro que tengan el potencial de superar 14 kg/cm<sup>2</sup> (200 psig) dado que la herramienta puede explotar, causando posibles lesiones.

**⚠ ADVERTENCIA:** El conector de la herramienta no debe contener presión cuando se desconecte el suministro de aire. Si se usa el conector indebido, la herramienta puede mantenerse cargada con aire después de desconectarla y podría impulsar una fijación incluso después de desconectar la línea de aire, causando posibles lesiones.

**⚠ ADVERTENCIA:** No accione el gatillo ni oprima el brazo de contacto mientras esté conectado al suministro de aire porque la herramienta puede hacer un ciclo, causando posibles lesiones.

**⚠ ADVERTENCIA:** Siempre desconecte el suministro de aire: 1.) Antes de hacer ajustes; 2.) Al dar servicio a la herramienta; 3.) Al despejar un atasco; 4.) Cuando no está en uso la herramienta; 5.) Al avanzar a otra área de trabajo, porque puede activarse accidentalmente, causando posibles lesiones.

## CARGA DE LA HERRAMIENTA

**⚠ ADVERTENCIA:** Al cargar la herramienta: 1.) Nunca ponga la mano ni ninguna otra parte del cuerpo en el área aplicadora de descarga de la herramienta; 2.) Nunca apunte la herramienta a ninguna persona; 3.) No accione el gatillo ni pulse el disparador porque puede activarse accidentalmente, causando posibles lesiones.

## FUNCIONAMIENTO

**⚠ ADVERTENCIA:** Siempre maneje la herramienta con cuidado: 1.) Nunca participe en juegos rudos; 2.) Nunca accione el gatillo a menos que la punta esté dirigida hacia el trabajo; 3.) Mantenga a los demás a una distancia segura de la herramienta mientras esté en funcionamiento porque puede activarse accidentalmente, causando posibles lesiones.

**⚠ ADVERTENCIA:** El operador no debe sostener el gatillo accionado en las herramientas con brazos de contacto salvo durante la aplicación de fijaciones ya que pueden ocurrir lesiones graves si el disparo tomara contacto accidentalmente con algo o alguien, ocasionando que la herramienta haga un ciclo.

**⚠ ADVERTENCIA:** Mantenga las manos y el cuerpo alejados del área de descarga de la herramienta. Una herramienta con brazo de contacto puede rebotar al aplicar una fijación haciendo salir otra, causando posibles lesiones.

**⚠ ADVERTENCIA:** Revise frecuentemente el funcionamiento del mecanismo del brazo de contacto. No use la herramienta si el brazo no funciona correctamente ya que puede impulsarse accidentalmente una fijación. No interfiera con el funcionamiento adecuado del mecanismo del brazo de contacto.

**⚠ ADVERTENCIA:** No aplique clavos o grapas encima de otras ni con la herramienta en un ángulo demasiado agudo pues esto puede ocasionar su deflexión, pudiendo causar lesiones.

**⚠ ADVERTENCIA:** No aplique grapas cerca del borde de la pieza con la cual esté trabajando pues la madera puede dividirse, permitiendo la deflexión del clavo o grapa, causando posibles lesiones.

**⚠ ADVERTENCIA:** Esta clavadora produce CHISPAS durante la operación. NUNCA use la clavadora cerca de sustancias, gases ni vapores inflamables, incluidos lacas, pintura, bencina, gasolina, adhesivos, mástique, pegamentos ni ningún otro material que sea inflamable, combustible o explosivo -- o vapores, emanaciones o subproductos que puedan serlo. Si se usa la clavadora en cualquier ambiente de este tipo podría causar una EXPLOSIÓN produciendo lesiones físicas o fatales para el usuario y las personas en la cercanía.

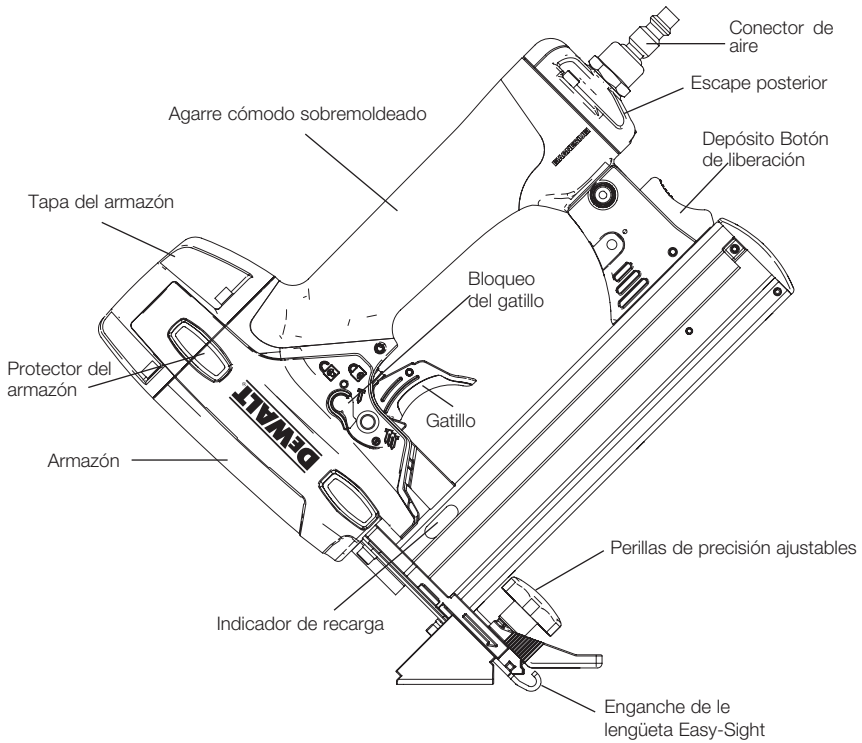


## MANTENIMIENTO DE LA HERRAMIENTA

**⚠ ADVERTENCIA:** Al trabajar con herramientas neumáticas, observe las advertencias de este manual y tenga sumo cuidado al evaluar herramientas con problemas.

**⚠ ADVERTENCIA:** Si la herramienta se ha caído o si sospecha daño a la herramienta, realice una comprobación de funcionamiento de la herramienta tal como se define en la sección de comprobación de funcionamiento de la herramienta.

## COMPONENTES DE LA HERRAMIENTA



## ESPECIFICACIONES DE LA HERRAMIENTA

Todas las dimensiones están en pulgadas a menos que se especifique lo contrario.

	DWEHF1838K	DWLHF2025K
<b>Descripción</b>	Engrapadora para duela calibre 18	Engrapadora para duela calibre 20
<b>Tipo de motor</b>	Sin aceite	Sin aceite
<b>Rango de presión operativa</b>	4,9 - 8,4 kg/cm <sup>2</sup> (70 a 120 psig)	4,9 - 8,4 kg/cm <sup>2</sup> (70 a 120 psig)
<b>Máxima presión operativa</b>	8,4 kg/cm <sup>2</sup> (120 psig)	8,4 kg/cm <sup>2</sup> (120 psig)
<b>Tipo de fijación</b>	Serie DNS181XX-2	DWCS20100
<b>Calibre de la fijación</b>	Calibre 18	Calibre 20
<b>Gama de la fijación</b>	25 mm - 38 mm (1" a 1-1/2")	25 mm (1")
<b>Capacidad del depósito</b>	100	125
<b>Largo</b>	235 mm (9-1/4")	235 mm (9-1/4")
<b>Ancho</b>	70 mm (2-3/4")	70 mm (2-3/4")
<b>Altura</b>	251 mm (9-7/8")	216 mm (8,5")
<b>Peso</b>	1,57 kg (3,5 lb)	1,32 kg (2,9 lb)

### Presión operativa

4,9 a 8,4 kg/cm<sup>2</sup> (70 a 120 psig). Seleccione la presión de operación dentro de este rango para el mejor desempeño del sujetador.

**NO SUPERE ESTA PRESIÓN OPERATIVA RECOMENDADA.**

### Consumo de aire

La DWEHF1838K requiere 55 litros por minuto o L/min (1.94 pies cúbicos por minuto o cfm) de aire libre a 5.6 kg/cm<sup>2</sup> (80 PSI) para operar a una velocidad de 60 sujetadores por minuto. La DWLHF2025K requiere 54 litros por minuto o L/min (1.90 pies cúbicos por minuto o cfm) de aire libre a 5.6 kg/cm<sup>2</sup> (80 PSI) para operar a una velocidad de 60 sujetadores por minuto. Para determinar el tamaño adecuado del compresor de aire, tome la velocidad real en la cual se utilizará la herramienta y compare los L/min (cfm) requeridos con la entrega de aire libre (FAD) del compresor (L/min o cfm) a 5.6 kg/cm<sup>2</sup> (80 PSI).

Por ejemplo, si usted usa en promedio 30 sujetadores por minuto, necesita el 50 % del volumen de aire (L/min o cfm) que se requiere para operar la herramienta a una velocidad de 60 sujetadores por minuto. En este caso, para un rendimiento óptimo, asegúrese de que su compresor de aire pueda entregar un mínimo de 27.5 L/min (0.97 cfm) a 5.6 kg/cm<sup>2</sup> (80 PSI).

## ESPECIFICACIONES DE FIJACIONES

Modelo de herramienta	Tipo de fijación	SKU de la fijación	Ancho de corona	Calibre	Largo
DWEHF1838K	Grapas	DNS18100-2	(6,3 mm) 1/4"	18	25 mm (1")
		DNS18125-2	(6,3 mm) 1/4"	18	31,75 mm (1-1/4")
		DNS18150-2	(6,3 mm) 1/4"	18	38 mm (1-1/2")
DWLHF2025K	Grapas	DWCS20100	4,7 mm (3/16")	20	25 mm (1")

\* Si desea obtener más detalles, visite [www.DEWALT.com](http://www.DEWALT.com).

### NOTA:

Las herramientas DEWALT se han diseñado para brindar una satisfacción excelente al cliente y lograr máximo rendimiento al utilizarse con fijaciones de precisión DEWALT diseñadas con las mismas normas estrictas. **DEWALT no puede asumir responsabilidad alguna por el rendimiento del producto si se utilizan nuestras herramientas con fijaciones o accesorios que no reúnen los requisitos específicos establecidos para fijaciones y accesorios genuinos de DEWALT.**

## SUMINISTRO DE AIRE Y CONEXIONES

**▲ ADVERTENCIA:** No use oxígeno, gases combustibles ni gases envasados en cilindros para operar esta herramienta porque puede explotar, causando posibles lesiones.

### **CONECTORES**

Instale un enchufe macho en la herramienta que está fluyendo libremente y que liberará presión de aire de la herramienta al desconectarse de la fuente de alimentación.

### **MANGUERAS**

Las mangueras de aire deben tener una presión nominal de trabajo mínima de 10.6 kg/cm<sup>2</sup> (150 psig) de capacidad nominal de presión de trabajo o un 150 por ciento de la presión máxima que podría producirse en el sistema de aire. La manguera de suministro debe contar con un conector de "desconexión rápida" del enchufe macho en la herramienta.

### **FUENTE DE SUMINISTRO**

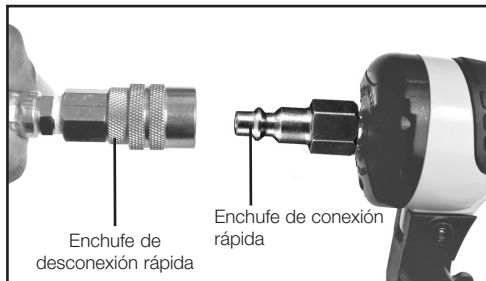
Use solamente aire comprimido regulado limpio como fuente de energía para esta herramienta. NUNCA USE OXÍGENO, GASES COMBUSTIBLES O GASES ENVASADOS EN CILINDROS COMO FUENTE DE ENERGÍA PARA ESTA HERRAMIENTA, PUES LA HERRAMIENTA PUEDE EXPLOTAR.

### **REGULADOR**

Se necesita un regulador de presión con una presión operativa de 0 - 8.8 kg/cm<sup>2</sup> (0 a 125 psig) para controlar la presión operativa con el fin de que la herramienta funcione en forma segura. No conecte esta herramienta a la presión de aire que potencialmente pueda superar 14 kg/cm<sup>2</sup> (200 psig) porque la herramienta puede fracturarse o explotar, causando posibles lesiones.

### **PRESIÓN OPERATIVA**

No supere la presión operativa máxima recomendada porque aumentará considerablemente el desgaste de la herramienta. El suministro de aire debe ser capaz de mantener la presión operativa de la herramienta. Las caídas de presión en el suministro de aire pueden reducir la energía impulsora de la herramienta. Consulte las "OPERACIÓN DE LA HERRAMIENTA" para establecer la presión operativa correcta de la herramienta.



## CARGA DE LA DWEHF1838K Y LA DWLHF2025K

### ⚠ ADVERTENCIA:



El operador y otros en el área SIEMPRE deben llevar PROTECCIÓN OCULAR en conformidad con las especificaciones ANSI y que proteja contra partículas que vuelen por DELANTE y por el LADO, cuando se haga la conexión al suministro de aire, así como al cargar, operar o dar servicio a esta herramienta. Se exige protegerse la vista para resguardarse contra fijaciones o residuos que vuelen, lo cual puede causar lesiones graves a los ojos.

El empleador o el usuario deben asegurar que se protejan debidamente los ojos. El equipo de protección ocular debe estar en conformidad con los requisitos del Instituto Nacional Americano de Normas (American National Standards Institute), ANSI Z87.1 y proteger por delante y por el costado. NOTA: Los anteojos o caretas sin protección lateral por si solos no dan una protección adecuada.

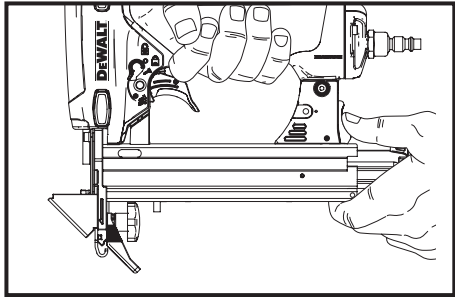
### ⚠ ADVERTENCIA:

#### PARA PREVENIR LESIONES ACCIDENTALES:

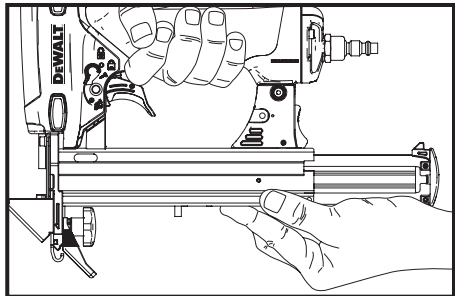
- Nunca coloque la mano ni ninguna parte del cuerpo en el área de descarga de clavos de la herramienta mientras esté conectado el suministro de aire.
- Nunca apunte la herramienta hacia una persona.
- Nunca participe en juegos rudos.
- Nunca accione el gatillo a menos que la punta esté dirigida hacia el trabajo.
- Siempre maneje la herramienta con cuidado.
- No accione el gatillo ni oprima el mecanismo de disparo mientras carga la herramienta.

## CARGA DE LA DWEHF1838K & DWLHF2025K

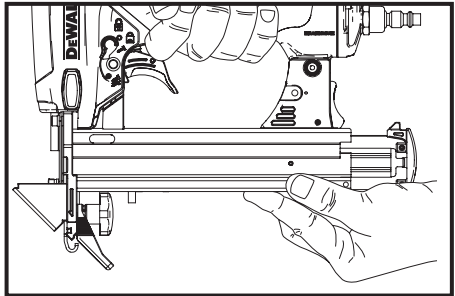
1. Oprima el botón de liberación del depósito y mueva hacia atrás el depósito.



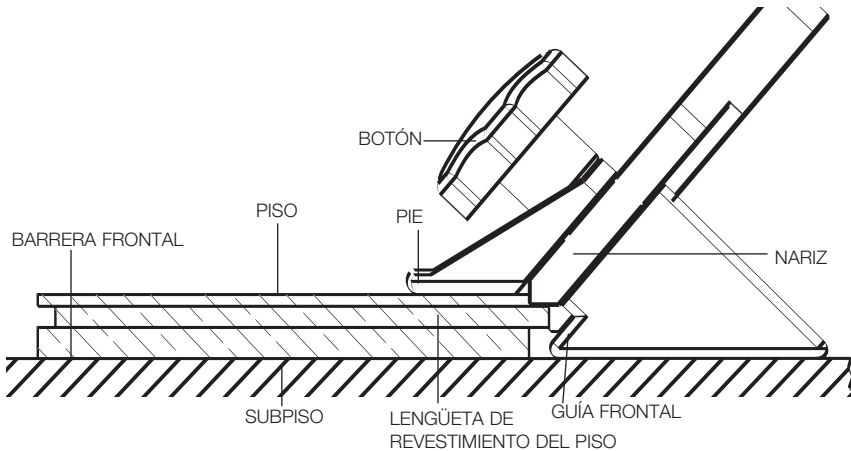
2. Abra el depósito totalmente y gire la herramienta de lado con el área de descarga apuntando lejos de usted y de otras personas. Cargue las grapas en el canal.



3. Empuje el depósito hacia delante hasta que se enganche el pestillo.



## INSTRUCCIONES DE AJUSTE

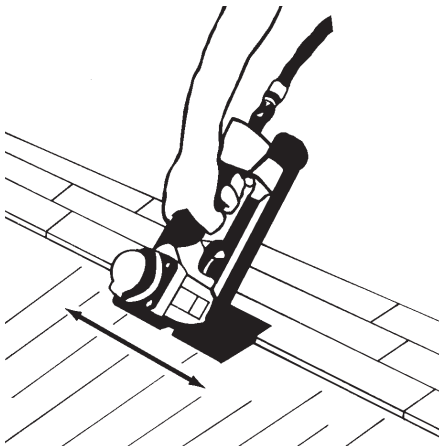


### **PARA AJUSTAR LA HERRAMIENTA AL REVESTIMIENTO DE PISO**

1. Afloje ambos botones hasta que la guía frontal y de pie se muevan libremente.
2. Encaje la nariz en la lengüeta del revestimiento de piso.
3. Empuje la guía frontal contra el subpiso y el pie contra el revestimiento del piso.
4. Apriete ambos botones.

**Consulte las instrucciones de instalación del fabricante del piso para utilizar una técnica de remaches y sujeción apropiada.**

**IMPORTANTE:** Faites un essai de l'outil sur un débris de plancher pour assurer le positionnement adéquat de l'agrafe et la compatibilité. DEWALT ne peut être responsable de la performance du produit si l'outil n'est pas utilisé correctement ou s'il n'est pas utilisé conformément aux instructions d'installation des fabricants de planchers.



Con la herramienta colocada apropiadamente en la lengüeta del revestimiento de piso, deslice la herramienta a lo largo de la lengüeta sin levantar la herramienta del piso mientras clava, tal como se muestra arriba y a la izquierda.

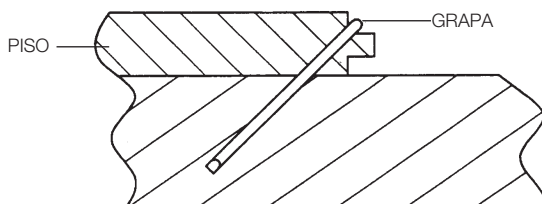
### **PRESIÓN DE AIRE:**

La presión d'air doit être réglée pour obtenir un enfoncement adéquat des agrafes. La pression d'air doit être réglée en utilisant un débris de plancher jusqu'à l'obtention d'un enfoncement adéquat.

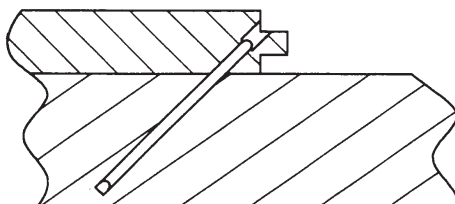
(Vea la página siguiente)

**⚠ ADVERTENCIA:**

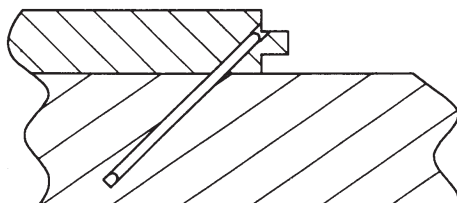
**ANTES DE OPERAR ESTA HERRAMIENTA, ESTUDIE ESTAS INSTRUCCIONES Y MANUAL DE OPERACIÓN Y MANTENIMIENTO PARA SU HERRAMIENTA PARA QUE ENTENDA LAS ADVERTENCIAS E INSTRUCCIONES DE SEGURIDAD. SI TIENE ALGUNA PREGUNTA, DIRÍJASE A SU REPRESENTANTE O DISTRIBUIDOR DE DeWALT. GUARDE ESTAS INSTRUCCIONES PARA REFERENCIA EN EL FUTURO.**



- Presión de aire demasiado baja.
- Corona de la grapa está encima de la lengüeta.
- Aumentar la presión de aire.



- Presión de aire demasiado alta.
- Grapa enterrada.
- Bajar la presión de aire.



- Corregir la presión de aire.
- Grapa justamente debajo de la superficie.

## OPERACIÓN DE LA HERRAMIENTA



El operador y otros en el área SIEMPRE deben llevar **PROTECCIÓN OCULAR** en conformidad con las especificaciones ANSI y que proteja contra partículas que vuelen por DELANTE y por el LADO, cuando se haga la conexión al suministro de aire, así como al cargar, operar o dar servicio a esta herramienta. Se exige protegerse la vista para resguardarse contra fijaciones o residuos que vuelen, lo cual puede causar lesiones graves a los ojos.

**▲ ADVERTENCIA:**

El empleador o el usuario deben asegurar que se protejan debidamente los ojos. El equipo de protección ocular debe estar en conformidad con los requisitos del Instituto Nacional Americano de Normas (American National Standards Institute), ANSI Z87.1 y proteger por delante y por el costado. **NOTA:** Los anteojos o caretas sin protección lateral por sí solos no dan una protección adecuada.

### ANTES DE MANIPULAR U OPERAR ESTA HERRAMIENTA:

- I. LEA DETALLADAMENTE LAS ADVERTENCIAS CONTENIDAS EN ESTE MANUAL.
- II. CONSULTE LAS "ESPECIFICACIONES DE LA HERRAMIENTA" EN ESTE MANUAL PARA IDENTIFICAR EL SISTEMA OPERATIVO DE LA HERRAMIENTA.

## OPERACIÓN

**▲ ADVERTENCIA:**

El operador no debe sostener el gatillo accionado en las herramientas con disparo de contacto salvo durante la aplicación de fijaciones ya que pueden ocurrir lesiones graves si el disparador tomara contacto accidentalmente con algo o alguien, ocasionando que la herramienta haga un ciclo.

**▲ ADVERTENCIA:**

Mantenga las manos y el cuerpo alejados del área de descarga de la herramienta. Una herramienta con disparo de contacto puede rebotar al aplicar una fijación haciendo salir otra, causando posibles lesiones.

### FUNCIONAMIENTO DEL DISPARO SECUENCIAL:

En el MODO DE DISPARO SECUENCIAL el disparo de contacto funciona en conjunto con el gatillo para impulsar una fijación. Para usar una herramienta con disparo secuencial, primero coloque el disparo de contacto sobre la superficie de trabajo SIN ACCIONAR EL GATILLO. Oprima el disparo de contacto y luego accione el gatillo para aplicar una fijación. Siempre y cuando el disparo de contacto toque el trabajo y se mantenga oprimido, la herramienta aplicará una fijación cada vez que se oprima el gatillo. Si se deja que el disparo de contacto se separe de la superficie de trabajo, debe repetirse la secuencia descrita más arriba para colocar otra fijación.

**▲ ADVERTENCIA:**

Si la herramienta se ha caído o si sospecha daño a la herramienta, realice una comprobación de funcionamiento de la herramienta tal como se define en la sección de comprobación de funcionamiento de la herramienta.

## ADEMÁS DE LAS OTRAS ADVERTENCIAS CONTENIDAS EN ESTE MANUAL OBSERVE LO SIGUIENTE PARA LA OPERACIÓN SEGURA

- Use la herramienta neumática DEWALT solamente para el fin que fue diseñada.
- Nunca use esta herramienta de tal modo que pueda causar la salida de una fijación hacia el usuario u otros presentes en el área de trabajo.
- No use la herramienta como martillo.
- Siempre lleve la herramienta tomándola por la empuñadura. Nunca lleve la herramienta tomándola por la manguera de aire.
- No altere ni modifique el diseño o función original de esta herramienta sin la aprobación de DEWALT.
- Siempre tenga presente que el uso indebido o la manipulación incorrecta de esta herramienta puede causarles lesiones a usted y a los demás.
- Nunca use abrazaderas ni cinta para bloquear el gatillo o el disparo de contacto en la posición activada.
- Nunca deje una herramienta sin supervisión con la manguera de aire conectada.
- No opere esta herramienta si no cuenta con una ETIQUETA DE ADVERTENCIA legible.
- Deje de usar la herramienta si tiene fugas de aire o no funciona bien. Notifique al representante más cercano de DEWALT si la herramienta continúa experimentando problemas funcionales.

# REVISIÓN FUNCIONAL DE LA HERRAMIENTA

---

- ▲ ATENCIÓN:** Retire todas las fijaciones de la herramienta antes de revisar cómo funciona.
- ▲ ADVERTENCIA:** Si la herramienta se ha caído o sospecha daño a la herramienta, realice una comprobación de funcionamiento de la herramienta.

## FUNCIONAMIENTO DEL DISPARO SECUENCIAL:

- A. Presione el disparo de contacto contra la superficie de trabajo, sin tocar el gatillo.
- NO DEBE HACER UN CICLO LA HERRAMIENTA.**
- B. Sostenga la herramienta sin tocar la superficie de trabajo y accione el gatillo.
- NO DEBE HACER UN CICLO LA HERRAMIENTA.**
- Libere el gatillo. El gatillo debe regresar al tope del gatillo del armazón.
- C. Accione el gatillo y presione el disparo de contacto contra la superficie de trabajo.
- NO DEBE HACER UN CICLO LA HERRAMIENTA.**
- D. Con el dedo lejos del gatillo, presione el disparo de contacto contra la superficie de trabajo. Accione el gatillo.
- DEBE HACER UN CICLO LA HERRAMIENTA.**

## MANTENIMIENTO DE LA HERRAMIENTA NEUMÁTICA

---

- ▲ ADVERTENCIA:** Al trabajar con herramientas neumáticas, observe las advertencias de este manual y tenga sumo cuidado al evaluar herramientas con problemas.
- ▲ ADVERTENCIA:** Si la herramienta se ha caído o si sospecha daño a la herramienta, realice una comprobación de funcionamiento de la herramienta tal como se define en la sección de comprobación de funcionamiento de la herramienta..
- ▲ ATENCIÓN:** Resorte de empuje (resorte de fuerza constante). Debe tenerse cuidado al trabajar con el ensamblaje del resorte. El resorte va envuelto alrededor de un rodillo, no conectado al mismo. Si el resorte se extiende más allá de su longitud, el extremo se saldrá del rodillo y el resorte se enrollará con un chasquido, posiblemente pellizcándole la mano. Los bordes del resorte también son muy finos y podrían cortar. Debe tenerse cuidado para asegurar que no se hagan dobleces permanentes en el resorte porque esto reducirá la fuerza del mismo.

## PIEZAS DE REPUESTO

Al cambiar piezas, solamente use repuestos genuinos DEWALT. No use piezas modificadas.

## PROCEDIMIENTO DE ENSAMBLAJE PARA LOS SELLOS

Al reparar una herramienta, fijese en que las piezas internas estén limpias y lubricadas. Use Parker "O"-LUBE, Magnalube u otro lubricante equivalente en todas las juntas tóricas. Cubra cada junta tórica con lubricante antes del ensamblaje.

## PRESIÓN Y VOLUMEN DEL SUMINISTRO DE AIRE

El volumen de aire es tan importante como la presión de aire. El volumen de aire suministrado a la herramienta puede ser inadecuado debido a accesorios y mangueras de tamaño inferior o por los efectos de suciedad y agua en el sistema. El flujo de aire restringido impedirá que la herramienta reciba un volumen de aire adecuado, aun cuando la lectura de presión sea alta. Los resultados serán funcionamiento lento, fijaciones mal dirigidas o menor potencia de impulso. Antes de evaluar los problemas de las herramientas según estos síntomas, inspeccione el suministro de aire desde la herramienta a la fuente de suministro en busca de conectores restrictivos, puntos bajos que tengan agua y cualquier otra cosa que impida el flujo del volumen completo de aire a la herramienta.



# SOLUCIÓN DE PROBLEMAS

PROBLEMA	CAUSA	CORRECCIÓN
<b>El alojamiento de la válvula de disparo tiene fuga de aire</b>	La junta tórica está cortada o agrietada . . . . .	Cambie la junta tórica
<b>El vástago de la válvula de disparo tiene fuga de aire</b>	La junta tórica o los sellos están . . . . . cortados o agrietados	Cambie el ensamblaje de la válvula de disparo
<b>El armazón o la punta tiene fuga de aire</b>	La junta tórica o la empaquetadura está . . . . . cortada o agrietada El tope está agrietado o desgastado . . . . .	Cambie la junta tórica o la empaquetadura Cambie el tope
<b>El armazón o la tapa tiene fuga de aire</b>	La empaquetadura o el sello está dañado . . . . . La válvula cabezal está agrietada o desgastada . . . Los tornillos de casquete están sueltos . . . . .	Cambie la empaquetadura o el sello Reemplace la válvula cabezal Apriete y revíselos de nuevo
<b>No hace ciclos</b>	El suministro de aire está restringido . . . . . La válvula cabezal está desgastada . . . . . El resorte en la tapa del cilindro está roto . . . . . La válvula cabezal está pegada en la tapa . . . . .	Revise el equipo de suministro de aire Reemplace la válvula cabezal Cambie el resorte de la tapa del cilindro Desarme / Revise/ Lubrique lo necesario
<b>Falta alimentación; el ciclo es lento</b>	El resorte en la tapa del cilindro está roto . . . . . Las juntas tóricas o los sellos están cortados . . . . . Escape bloqueado . . . . . El ensamblaje del gatillo está desgastado . . . . . Hay acumulación de suciedad o alquitrán . . . . . El manguito del cilindro no está asentado correctamente en el tope inferior . . . . . La presión de aire está demasiado baja . . . . .	Cambie el resorte de la tapa Cambie las juntas tóricas o los sellos o agrietados Revise el tope, el resorte de la válvula cabezal Cambie el ensamblaje del gatillo o tiéne fugas Desarme la punta o el impulsor para limpiar en el impulsor Desármelo para corregir esto Revise el equipo de suministro de aire
<b>Se saltan las fijaciones; alimentación intermitente</b>	El tope está desgastado . . . . . Hay alquitrán o suciedad en el canal del impulsor . . . Restricción de aire/flujo indebido de aire a través del enchufe y la toma de desconexión rápida . . . . . Está desgastado el anillo del pistón . . . . . El resorte de empuje está dañado . . . . . Hay baja presión de aire . . . . . Los tornillos en la punta del depósito . . . . . Las fijaciones son demasiado cortas para la herramienta . . . . . Hay fijaciones dobladas . . . . . Las fijaciones son del tamaño incorrecto . . . . . La empaquetadura de la tapa cabezal tiene fugas . . . La junta tórica de la válvula de disparo está . . . . . El impulsor está roto o picado . . . . . El depósito está seco o sucio . . . . . El depósito está desgastado . . . . .	Cambie el tope Desarme y limpie la punta y el impulsor Cambie los accesorios de desconexión rápida Cambie el anillo, revise el impulsor Cambie el resorte Revise el sistema de suministro de aire a la herramienta Apriete todos los tornillos Use solamente las fijaciones recomendadas Deje de usar estas fijaciones Use solamente las fijaciones recomendadas Apriete los tornillos o cambie la empaquetadura Cambie la junta tórica Cambie el impulsor (revise el anillo del pistón) Limpie/lubrique con Lubricante para herramientas neumáticas DeWALT Cambie el depósito
<b>Se atascan las fijaciones en la herramienta</b>	El canal del impulsor está desgastado . . . . . Las fijaciones son del tamaño incorrecto . . . . . Hay fijaciones dobladas . . . . . Hay tornillos sueltos en el depósito o la punta . . . . . El impulsor está roto o picado . . . . .	Cambie la punta, revise la puerta Use solamente las fijaciones recomendadas Deje de usar estas fijaciones Apriete todos los tornillos Cambie el impulsor

## LISTA DE VERIFICACIÓN DE MANTENIMIENTO

Mantenimiento	Beneficio	Procedimiento	Intervalo de servicio
Inspeccione el funcionamiento del gatillo o disparador	Confirme que el sistema de disparo funcione bien	Consulte la sección Revisión funcional de la herramienta en este manual	Diariamente
Drene la condensación de los tanques y filtros de aire del compresor de aire (si la hay)	Previene la acumulación de humedad que puede impedir el buen rendimiento de la herramienta	Abra la llave de drenaje en los tanques y filtros de aire y drene todo el condensado	Diariamente
Limpie el ensamblaje del depósito	Previene la acumulación de residuos que pudieran causar atascos	Limpie soplando con aire comprimido	Diariamente
Limpie el ensamblaje de la punta	Previene la acumulación de residuos que pudieran causar atascos	Limpie soplando con aire comprimido	Diariamente
Asegure que todas las fijaciones se mantengan apretadas	Previene las piezas sueltas	Apriete todas las fijaciones con la llave hexagonal del tamaño apropiado	Semanalmente
Reemplace el conector de aire	Mantiene el flujo de aire correcto al motor para lograr óptimo rendimiento	Remove worn air fitting and replace with new fitting	50,000 fijaciones
Reemplace el ensamblaje de pistón/impulsor	Mantiene la calidad constante de impulso	Remítase a las instrucciones del paquete de piezas de repuesto	150,000 fijaciones
Cambie las juntas tóricas	Mantiene el motor para lograr óptimo rendimiento	Remítase a las instrucciones del paquete de piezas de repuesto	250,000 fijaciones
Cambie el tope	Mantiene el motor para lograr óptimo rendimiento	Remítase a las instrucciones del paquete de piezas de repuesto	250,000 fijaciones
Cambie la válvula cabezal	Mantiene el motor para lograr óptimo rendimiento	Remítase a las instrucciones del paquete de piezas de repuesto	250,000 fijaciones
Reemplace el cilindro del motor	Mantiene el motor para lograr óptimo rendimiento	Remítase a las instrucciones del paquete de piezas de repuesto	500,000 fijaciones

## OTHER DEWALT FLOORING PRODUCTS



**DWMIIIIFS**  
ENGRAPADORA PARA DUELA  
CALIBRE 15.5



**DWMIIIIFN**  
CLAVADORA PARA DUELA  
CALIBRE 16



**DWMFN-201**  
CLAVADORA MANUAL PARA PISO  
CALIBRE 16



**DWFP12569**  
ENGRAPADORA PARA PISOS  
DE MADERA 2 EN 1 DE  
CALIBRE 15.5 Y CLAVADORA  
DE TACOS DE CALIBRE 16

Para obtener más información visite:  
**[www.DEWALT.com](http://www.DEWALT.com)**

## INTRODUCTION

Les DWEHF1838K et DWLHF2025K de DeWALT sont des outils de précision, conçus pour la pose d'attaches à haute vitesse et à haut volume. Ces outils vous donneront un rendement efficace et fiable lorsqu'utilisés correctement et avec soin. Comme pour tout outil de précision, il est important de suivre les instructions du fabricant pour obtenir la meilleure performance. Veuillez étudier ce manuel avant d'utiliser l'outil et comprendre les avertissements et les mises en garde de sécurité. Les instructions ayant trait à l'installation, le fonctionnement et l'entretien doivent être lues attentivement et les manuels doivent être conservés pour référence. REMARQUE : Des mesures de sécurité additionnelles peuvent être requises en fonction de l'utilisation que vous faites de l'outil. Communiquez avec votre représentant ou distributeur DeWALT pour toute question au sujet de cet outil et de son utilisation. DeWALT Industrial Tool Co., 701 East Joppa Road, Towson, MD 21286, appelez 1-800-4-DEWALT (1-800-433-9258) ou visitez notre site www.dewalt.com.

## TABLE DES MATIÈRES

Consignes de sécurité	29
Composants de l'outil	30
Spécifications de l'outil/attaches	31
Alimentation d'air et connexions	32
Chargement de l'outil	33
Instructions de réglage	34
Fonctionnement de l'outil	36
Vérification du fonctionnement de l'outil	37
Entretien de l'outil pneumatique	37
Dépannage	38
Liste des vérifications d'entretien	39
Autres produits DeWALT pour planchers	40

## REMARQUE :

Les outils DeWALT ont été fabriqués afin d'offrir un degré de satisfaction de la clientèle très élevé et sont conçus pour atteindre une performance maximale lorsqu'utilisés avec les attaches DeWALT de précision fabriquées avec les mêmes normes élevées. **DeWALT ne peut être tenu responsable de la performance du produit si les outils sont utilisés avec des attaches ou des accessoires ne répondant pas strictement aux exigences établies pour les clous, agrafes et accessoires d'origine DeWALT.**

## GARANTIE À VIE LIMITÉE DE SEPT (7) ANS

DeWALT réparera gratuitement tous les problèmes dus à des défauts de matériau ou de fabrication pendant sept (7) ans à compter de la date d'achat. Cette garantie ne couvre pas des défaillances de pièce dues à une usure normale ou à une mauvaise utilisation de l'outil. Pour en savoir plus sur la protection et les réparations sous garantie, visiter le site Web [www.dewalt.com](http://www.dewalt.com) ou composer le 1 800 433-9258 (1 800 4-DEWALT). Cette garantie ne s'applique pas aux accessoires ni aux dommages causés par des réparations réalisées ou tentées par des tiers. Cette garantie vous accorde des droits légaux précis et il est possible que vous ayez d'autres droits qui varient d'un État ou d'une province à l'autre.

En plus de la garantie, les outils DeWALT sont couverts par notre :

### SERVICE D'ENTRETIEN GRATUIT DE 1 AN

DeWALT entretiendra l'outil et remplacera les pièces usées par une utilisation normale et ce, gratuitement, à tout moment pendant la première année à compter de la date d'achat. L'usure de pièces comme les joints toriques ou les mécanismes de lames n'est pas couverte.

### GARANTIE DE REMBOURSEMENT DE 90 JOURS

Si vous n'êtes pas entièrement satisfait des performances de votre outil électrique, laser ou de votre cloueuse DeWALT pour quelque raison que ce soit, vous pouvez le renvoyer accompagné d'un reçu dans les 90 jours suivant la date d'achat, et nous vous rembourserons entièrement – sans poser de questions.

**AMÉRIQUE LATINE :** Cette garantie ne s'applique pas aux produits vendus en Amérique latine. Pour ceux-ci, veuillez consulter les informations relatives à la garantie spécifique présente dans l'emballage, appeler l'entreprise locale ou consulter le site Web.

**REMPLACEMENT GRATUIT DES ÉTIQUETTES D'AVERTISSEMENT :** Si l'étiquette d'avertissement devient illisible ou est manquante, composer le 1 800 433-9258 (1 800 4-DEWALT) pour un remplacement gratuit.

## CONSIGNES DE SÉCURITÉ

**▲ AVERTISSEMENT :** **DES LUNETTES DE SÉCURITÉ** se conformant aux normes ANSI et qui protègent des particules projetées du côté **FRONTAL** ainsi que du côté **LATÉRAL** doivent **TOUJOURS** être portées par l'opérateur et toute autre personnes se trouvant dans la zone de travail lors d'une connexion à l'alimentation d'air, du chargement, de fonctionnement ou de l'entretien de cet outil. Une telle protection est indispensable pour vous protéger contre les attaches et débris projetés, susceptibles d'entraîner des blessures sérieuses.



L'employeur et/ou l'utilisateur doivent s'assurer que les lunettes de sécurité appropriées sont portées. L'équipement de protection doit être conforme à la norme ANSI Z87.1 et fournir une protection frontale et latérale. **REMARQUE :** Les lunettes sans protection latérale et les masques faciaux ne fournissent pas la protection nécessaire.

**▲ ATTENTION :** Des articles de sécurité additionnels devront être portés dans certains environnements. Par exemple, la zone de travail peut comporter une exposition à un niveau de bruit qui pourrait entraîner une diminution de l'acuité auditive. L'employeur et l'utilisateur doivent s'assurer qu'une protection de l'ouïe est fournie et utilisée par l'opérateur et toute autre personne dans la zone de travail. Certains environnements nécessiteront l'utilisation d'équipement de protection de la tête. Lorsque requis, l'employeur et l'utilisateur doivent s'assurer qu'une protection de la tête se conformant à la norme ANSI Z89.1 est utilisée.

## ALIMENTATION D'AIR ET CONNEXIONS

**▲ AVERTISSEMENT :** N'utilisez pas d'oxygène, de gaz combustibles ou de gaz en bouteille comme source d'alimentation pour cet outil puisque cela peut causer l'explosion de l'outil et causer des blessures.

**▲ AVERTISSEMENT :** N'utilisez pas des sources d'alimentation pouvant excéder 200 lb/po<sup>2</sup> (14 kg/cm<sup>2</sup>) car cela peut causer l'éclatement de l'outil et causer des blessures.

**▲ AVERTISSEMENT :** Le connecteur de l'outil ne doit pas être sous pression lorsque l'outil est déconnecté. Si un raccord incorrect est utilisé, l'outil peut demeurer sous pression après avoir été déconnecté et pourrait donc décharger une attache même une fois la conduite d'air déconnectée et causer des blessures.

**▲ AVERTISSEMENT :** N'appuyez pas sur la gâchette et n'appuyez pas sur le bras de contact alors qu'il est connecté à l'alimentation d'air, car l'outil pourrait alors être actionné et causer des blessures.

**▲ AVERTISSEMENT :** Veillez à toujours déconnecter l'alimentation d'air : 1.) Avant de procéder à des ajustements; 2.) Au moment de réparer l'outil; 3.) Au moment de dégager un blocage; 4.) Lorsque l'outil n'est pas utilisé; 5.) Au moment de se déplacer vers une zone de travail différente, puisque l'outil pourrait être actionné accidentellement et causer des blessures.

## CHARGEMENT DE L'OUTIL

**▲ AVERTISSEMENT :** Au moment de charger l'outil : 1.) Ne placez jamais la main ou toute autre partie du corps dans la région de décharge d'attache de l'outil; 2.) Ne dirigez jamais l'outil vers quelqu'un; 3.) N'appuyez pas sur la gâchette et n'appuyez pas sur le déclencheur puisqu'il pourrait être actionné accidentellement et causer des blessures.

## FONCTIONNEMENT

**▲ AVERTISSEMENT :** Veillez à toujours manipuler l'outil avec précaution : 1.) Ne vous chahutez jamais; 2.) N'appuyez jamais sur la gâchette sans que le nez de pose soit dirigé vers la surface de travail; 3.) Maintenez les autres à une distance sécuritaire alors que l'outil fonctionne puisqu'il pourrait être actionné accidentellement et causer des blessures.

**▲ AVERTISSEMENT :** L'opérateur ne doit pas maintenir la gâchette enfoncée sur les outils à bras de contact sauf lors des opérations d'attache puisque de graves blessures peuvent être causées si le déclencheur entrait en contact avec quelqu'un ou quelque chose accidentellement, ce qui pourrait actionner l'outil.

**▲ AVERTISSEMENT :** Ne placez jamais la main ou le corps dans la zone de décharge de l'outil. Un outil à bras de contact peut rebondir en raison du recul causé au moment de tirer une attache et une deuxième attache pourrait être tirée inopinément et causer des blessures.

**▲ AVERTISSEMENT :** Vérifiez fréquemment le fonctionnement du mécanisme du bras de contact. N'utilisez pas l'outil si le bras ne fonctionne pas correctement puisque cela peut causer le tir accidentel d'une attache. Ne gênez pas le fonctionnement approprié du mécanisme de bras de contact.

**▲ AVERTISSEMENT :** Ne tirez pas d'attache sur une autre attache ou alors que l'outil est à un trop grand angle, car cela peut causer une déflexion de l'attache et causer des blessures.

**▲ AVERTISSEMENT :** Ne tirez pas d'attache trop près du bord de la pièce de travail, car le bois pourrait fendre et entraîner la déflexion de l'attache et causer des blessures.

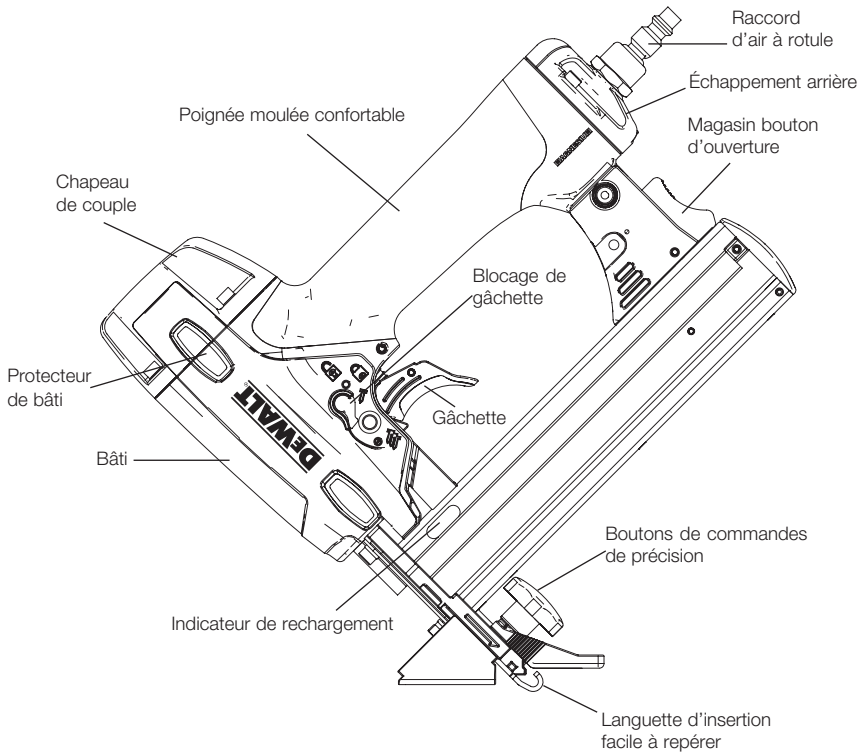
**▲ AVERTISSEMENT :** La cloueuse produit des **ÉTINCELLES** lors du fonctionnement. N'utilisez **JAMAIS** la cloueuse près de substances inflammables, de gaz ou de vapeurs, y compris la laque, la benzine, le diluant, l'essence, les adhésifs, les mastics, les colles ou de tout autre matériau qui est – ou dont les vapeurs, les émanations ou les sous-produits sont – inflammables, combustibles ou explosifs. L'utilisation de la cloueuse dans un tel environnement pourrait mener à une **EXPLOSION** pouvant causer des blessures ou le décès de l'utilisateur ou de personnes à proximité.

## ENTRETIEN DE L'OUTIL

**▲ AVERTISSEMENT :** Prenez note des avertissements de ce manuel lorsque vous travaillez avec des outils pneumatiques et prenez toutes les précautions possibles lorsque vous évaluez les outils à problèmes.

**▲ AVERTISSEMENT :** Si l'outil a été échappé ou si vous soupçonnez qu'il est endommagé, effectuez une vérification de fonctionnement de l'outil tel que défini dans la section de vérification de fonctionnement de l'outil.

## COMPOSANTS DE L'OUTIL



# SPÉCIFICATIONS DE L'OUTIL

Les mesures sont métriques suivies de mesures impériales entre parenthèses.

	DWEHF1838K	DWLHF2025K
Description	Agrafeuse à plancher de calibre 18	Agrafeuse à plancher de calibre 20
Type de moteur	Sans huile	Sans huile
Plage de pression de fonctionnement	4,9 à 8,4 kg/cm <sup>2</sup> (70 à 120 lb/po <sup>2</sup> )	4,9 à 8,4 kg/cm <sup>2</sup> (70 à 120 lb/po <sup>2</sup> )
Pression de fonctionnement maximale	8,4 kg/cm <sup>2</sup> (120 lb/po <sup>2</sup> )	8,4 kg/cm <sup>2</sup> (120 lb/po <sup>2</sup> )
Type d'attache	Séries DNS181XX-2	DWCS20100
Calibre d'attache	Calibre 18	Calibre 20
Plage d'attache	25 à 38 mm (1 à 1 1/2 po)	25 mm (1 po)
Capacité du magasin	100	125
Longueur	235 mm (9 1/4 po)	235 mm (9 1/4 po)
Largeur	70 mm (2 3/4 po)	70 mm (2 3/4 po)
Hauteur	251 mm (9 7/8 po)	216 mm (8,5 po)
Poids	1,57 kg (3,5 lb)	1,32 kg (2,9 lb)

## Pression de fonctionnement

4,9 à 8,4 kg/cm<sup>2</sup> (70 à 120 lb/po<sup>2</sup>). Sélectionnez la pression de fonctionnement selon cette étendue pour obtenir le rendement optimal de l'agrafeuse.

**NE DÉPASSEZ PAS LA PRESSION DE FONCTIONNEMENT RECOMMANDÉE.**

## Consommation d'air

Le modèle DWEHF1838K exige 1,94 pi<sup>3</sup>/min ou un rendement d'air libre de 55 L/min à une pression de 5,6 kg/cm<sup>2</sup> (80 lb/po<sup>2</sup>) pour fonctionner au taux de 60 attaches par minute. Le modèle DWLHF2025K exige 1,90 pi<sup>3</sup>/min ou un rendement d'air libre de 54 L/min à une pression de 5,6 kg/cm<sup>2</sup> (80 lb/po<sup>2</sup>) pour fonctionner au taux de 60 attaches par minute. Pour déterminer le format compresseur approprié, utilisez le taux auquel l'outil fonctionnera puis comparez le débit requis (L/min ou pi<sup>3</sup>/min) au rendement d'air libre (L/min ou pi<sup>3</sup>/min) à une pression de 5,6 kg/cm<sup>2</sup> (80 lb/po<sup>2</sup>).

Par exemple, si l'agrafeuse éjecte une moyenne de 30 attaches par minute, vous aurez besoin de 50 % du volume d'air nécessaire (L/min ou pi<sup>3</sup>/min) pour pouvoir faire fonctionner l'outil à un taux de 60 attaches par minute. Dans ce cas, assurez-vous que votre compresseur peut offrir un débit de 0,97 L/min (27,5 pi<sup>3</sup>/min) à 5,6 kg/cm<sup>2</sup> (80 lb/po<sup>2</sup>) pour une performance optimale.

# CARACTÉRISTIQUES DES ATTACHES

Modèle d'outil	Type d'attache	N° stock de l'attache	Largeur de couronne	Calibre	Longueur
DWEHF1838K	Agrafes	DNS18100-2	(6,3 mm) 1/4 po.	18	25 mm (1 po.)
		DNS18125-2	(6,3 mm) 1/4 po.	18	31,75 mm (1-1/4 po.)
		DNS18150-2	(6,3 mm) 1/4 po.	18	38 mm (1-1/2 po.)
DWLHF2025K	Agrafes	DWCS20100	4,7 mm (3/16 po.)	20	25 mm (1 po.)

\*Visitez notre site au [www.DEWALT.com](http://www.DEWALT.com) pour obtenir plus d'information.

## REMARQUE :

Les outils DEWALT ont été fabriqués afin d'offrir un degré de satisfaction de la clientèle supérieur et sont conçus pour atteindre une performance maximale lorsqu'utilisés avec les attaches DEWALT de précision fabriquées avec les mêmes normes élevées. **DEWALT ne garantit pas les performances de vos outils s'ils sont utilisés avec des dispositifs de fixation ou accessoires ne répondant pas strictement aux exigences établies pour les clous, attaches et accessoires d'origine DEWALT.**

## ALIMENTATION D'AIR ET CONNEXIONS

**⚠ AVERTISSEMENT :** N'utilisez pas d'oxygène, de gaz combustibles ou de gaz en bouteille comme source d'alimentation pour cet outil puisque cela peut causer l'explosion de l'outil et causer des blessures.

### RACCORDS

Installez une prise mâle sur l'outil laquelle est mobile et libérera la pression d'air de l'outil lorsque déconnecté de la source d'alimentation.

### TUYAUX SOUPLES

Les tuyaux d'air souples doivent avoir une pression minimale de 10,6 kg/cm<sup>2</sup> (150 lb/po<sup>2</sup>) de pression de fonctionnement ou 150 pour cent de la pression maximale pouvant être produite dans le système d'air. Le tuyau d'alimentation doit comporter un raccord qui permettra un « débranchement rapide » de la prise mâle de l'outil.

### SOURCE D'ALIMENTATION

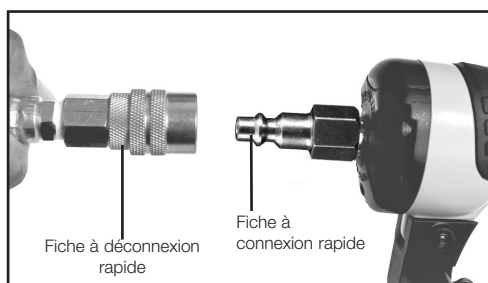
N'utilisez que de l'air comprimé régulé comme source d'alimentation pour cet outil. N'UTILISEZ JAMAIS D'OXYGÈNE, DE GAZ COMBUSTIBLE OU DE GAZ EN BOUTEILLE COMME SOURCE D'ALIMENTATION POUR CET OUTIL, CAR CELA PEUT FAIRE EXPLOSER L'OUTIL.

### RÉGULATEUR

Un régulateur de pression avec une pression de fonctionnement de 0 à 8,8 kg/cm<sup>2</sup> (0 à 125 lb/po<sup>2</sup>) est requis afin de contrôler la pression de fonctionnement pour un fonctionnement sécuritaire de cet outil. Ne connectez pas cet outil à une pression d'air qui pourrait dépasser 14 kg/cm<sup>2</sup> (200 lb/po<sup>2</sup>), car l'outil pourrait se fracturer ou éclater et occasionner des blessures.

### PRESSION DE FONCTIONNEMENT

Ne dépassez pas la pression de fonctionnement maximale recommandée, sinon l'usure de l'outil en sera grandement augmentée. L'alimentation d'air doit être en mesure de maintenir la pression de fonctionnement de l'outil. Une baisse de pression subite de l'alimentation d'air est susceptible de réduire la puissance motrice de l'outil. Consultez les « SPÉCIFICATIONS DE L'OUTIL » pour régler correctement la pression de fonctionnement de l'outil.





# CHARGEMENT DE LA DWEHF1838K ET DE LA DWLHF2025K

**▲ AVERTISSEMENT :**



**DES LUNETTES DE SÉCURITÉ** se conformant aux normes ANSI et qui protègent des particules projetées du côté **FRONTAL** ainsi que du côté **LATÉRAL** doivent **TOUJOURS** être portées par l'opérateur et toute autre personnes se trouvant dans la zone de travail lors d'une connexion à l'alimentation d'air, du chargement, de fonctionnement ou de l'entretien de cet outil. Une telle protection est indispensable pour vous protéger contre les attaches et débris projetés, susceptibles d'entraîner des blessures sérieuses.

L'employeur et/ou l'utilisateur doivent s'assurer que les lunettes de sécurité appropriées sont portées. L'équipement de protection doit être conforme à la norme ANSI Z87.1 et fournir une protection frontale et latérale. **REMARQUE :** Les lunettes sans protection latérale et les masques faciaux ne fournissent pas la protection nécessaire.

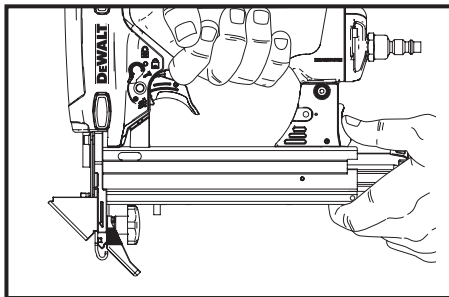
**▲ AVERTISSEMENT :**

**AFIN DE PRÉVENIR LES BLESSURES ACCIDENTELLES :**

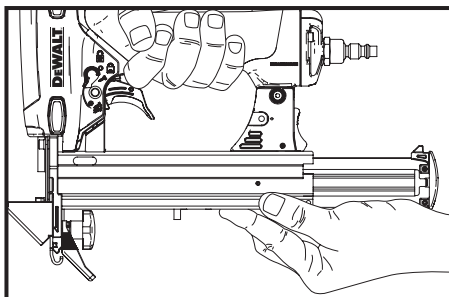
- Ne placez jamais la main ou toute autre partie du corps dans la zone de décharge de clou de l'outil alors que l'alimentation d'air est connectée.
- Ne pointez jamais l'outil vers une autre personne.
- Ne chahutez jamais.
- N'appuyez jamais sur la gâchette sans que le nez de pose soit dirigé vers la surface de travail.
- Veillez à toujours manipuler l'outil avec précaution.
- N'appuyez pas sur la gâchette ou le déclencheur pendant le chargement de l'outil.

## CHARGEMENT DE LA DWEHF1838K & DWLHF2025K

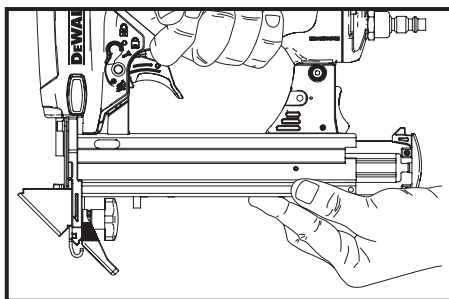
1. Appuyez sur le bouton d'ouverture du magasin et tirez le magasin vers l'arrière.



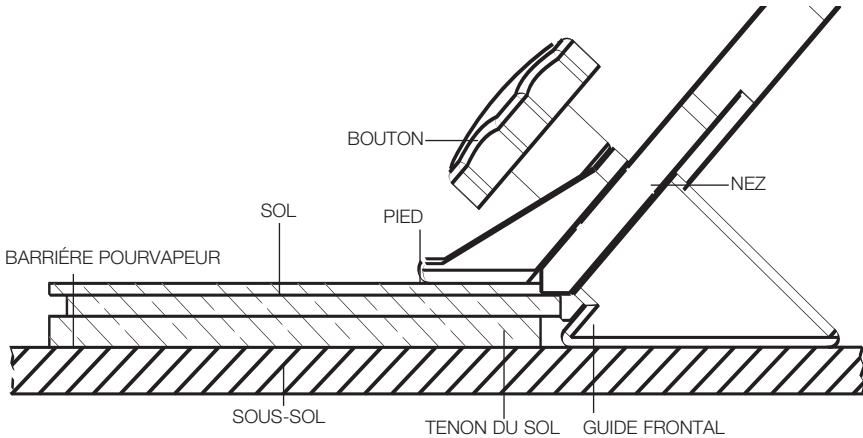
2. Ouvrez le magasin complètement et tournez l'outil de côté en dirigeant la zone de décharge loin de vous et des autres personnes. Chargez les agrafes dans la rainure.



3. Poussez le magasin vers l'avant jusqu'à ce que le loquet s'enclenche.



# INSTRUCTIONS DE RÉGLAGE

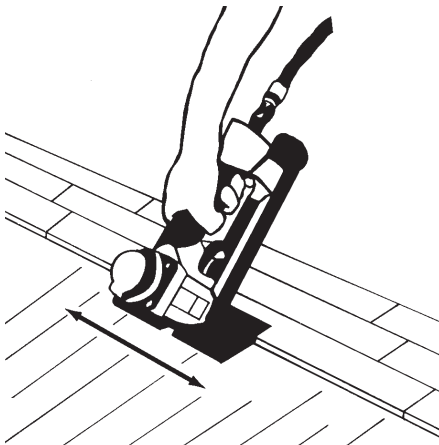


## POUR RÉGLER L'OUTIL SUR LE SOL

1. Desserrez les deux boutons jusqu'à ce que les pied et le guide frontal bougent librement.
2. Engagez le nez sur le tenon du sol.
3. Poussez le guide frontal sur le sous-sol et le pied sur le sol.
4. Serrez les deux boutons.

**Consulter les instructions d'installation des fabricants de planchers pour connaître la technique de fixation et les attaches appropriées.**

**IMPORTANT:** Faites un essai de l'outil sur un débris de plancher pour assurer le positionnement adéquat de l'agrafe et la compatibilité. DEWALT ne peut être responsable de la performance du produit si l'outil n'est pas utilisé correctement ou s'il n'est pas utilisé conformément aux instructions d'installation des fabricants de planchers.



L'outil proprement placé sur le tenon du sol, glissez l'outil le long du tenon sans soulever l'outil du sol tout en le fixant comme montré ci-dessus à gauche.

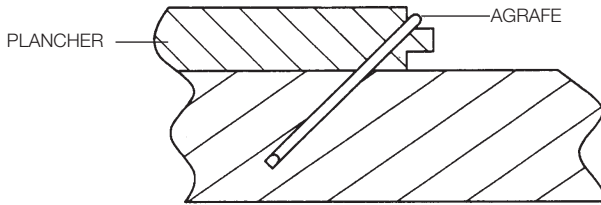
## PRESSION DE L'AIR:

La pression d'air doit être réglée pour obtenir un enfoncement adéquat des agrafes. La pression d'air doit être réglée en utilisant un débris de plancher jusqu'à l'obtention d'un enfoncement adéquat.

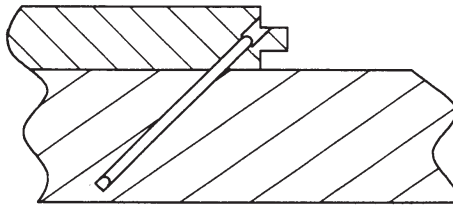
(Voir la page suivante)

**▲ AVERTISSEMENT :**

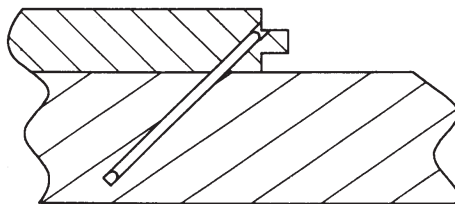
**AVANT D'UTILISER CET OUTIL, ÉTUDIEZ LES INSTRUCTIONS, LE MODE D'EMPLOI ET D'ENTRETIEN DE VOTRE OUTIL, POUR COMPRENDRE LES CONSIGNES DE SÉCURITÉ ET LES INSTRUCTIONS. SI VOUS AVEZ DES QUESTIONS À POSER, VEUILLEZ CONTACTER VOTRE CONCESSIONNAIRE OU DISTRIBUTEUR DEWALT. VEUILLEZ CONSERVER CES INSTRUCTIONS POUR FUTURE RÉFÉRENCE.**



- Pression de l'air trop basse.
- Dos de l'agrafe au dessus de la languette.
- Il faut augmenter la pression.



- Pression de l'air trop élevée.
- Agrafe trop enfoncée.
- Il faut diminuer la pression.



- Pression d'air correcte.
- L'agrafe se trouve juste au dessous de la surface.

## FONCTIONNEMENT DE L'OUTIL



**DES LUNETTES DE SÉCURITÉ** se conformant aux normes ANSI et qui protègent des particules projetées du côté **FRONTAL** ainsi que du côté **LATÉRAL** doivent **TOUJOURS** être portées par l'opérateur et toute autre personnes se trouvant dans la zone de travail lors d'une connexion à l'alimentation d'air, du chargement, de fonctionnement ou de l'entretien de cet outil. Une telle protection est indispensable pour vous protéger contre les attaches et débris projetés, susceptibles d'entraîner des blessures sérieuses.

### ▲ AVERTISSEMENT :

L'employeur et/ou l'utilisateur doivent s'assurer que les lunettes de sécurité appropriées sont portées. L'équipement de protection doit être conforme à la norme ANSI Z87.1 et fournir une protection frontale et latérale. **REMARQUE** : Les lunettes sans protection latérale et les masques faciaux ne fournissent pas la protection nécessaire.

## PRÉALABLEMENT À LA MANIPULATION OU À L'UTILISATION DE CET OUTIL:

- I. VEILLEZ À LIRE ET COMPRENDRE LES AVERTISSEMENTS CONTENUS DANS CE MANUEL.
- II. REPORTEZ-VOUS AUX « SPÉCIFICATIONS DE L'OUTIL » DU PRÉSENT MANUEL AFIN D'IDENTIFIER LE SYSTÈME DE FONCTIONNEMENT SUR VOTRE OUTIL.

## FONCTIONNEMENT

### ▲ AVERTISSEMENT :

L'opérateur ne doit pas maintenir la gâchette enfoncée sur les outils à déclenchement sur contact sauf lors des opérations d'attache puisque de graves blessures peuvent être causées si le déclencheur entrait en contact avec quelqu'un ou quelque chose accidentellement, ce qui pourrait actionner l'outil.

### ▲ AVERTISSEMENT :

Ne placez jamais la main ou le corps dans la zone de décharge de l'outil. Un outil à déclencheur de contact peut rebondir en raison du recul causé au moment de tirer une attache et une deuxième attache pourrait être tirée inopinément et causer des blessures.

## FONCTIONNEMENT EN MODE DÉCLENCHEMENT SÉQUENTIEL:

En MODE DÉCLENCHEMENT SÉQUENTIEL, le déclencheur de contact fonctionne en conjonction avec la gâchette pour tirer une attache. Pour faire fonctionner un outil à déclenchement séquentiel, positionnez d'abord le déclencheur de contact sur la surface de travail, SANS APPUYER SUR LA GÂCHETTE. Appuyez le déclencheur de contact contre la surface de travail, puis appuyez sur la gâchette pour tirer une attache. Aussi longtemps que le déclencheur de contact est en contact avec la surface de travail et est maintenu enfoncé, l'outil tirera une attache chaque fois que la gâchette est appuyée. Si le déclencheur de contact arrête d'être en contact avec la surface de travail, la séquence décrite ci-dessus doit être répétée afin d'enfoncer une autre attache.

### ▲ AVERTISSEMENT :

Si l'outil a été échappé ou si vous soupçonnez qu'il est endommagé, effectuez une vérification de fonctionnement de l'outil tel que défini dans la section de vérification de fonctionnement de l'outil.

## EN PLUS DES AUTRES AVERTISSEMENTS CONTENUS DANS CE MANUEL, VEILLEZ À OBSERVER LES PRÉCAUTIONS SUIVANTES

- N'utilisez jamais l'outil pneumatique DEWALT dans un but autre que celui pour lequel il a été conçu.
- N'orientez jamais l'outil de façon à ce qu'il puisse éjecter une attache en direction de l'utilisateur ou d'autres personnes dans la zone de travail.
- N'utilisez jamais l'outil comme un marteau.
- Veillez à toujours transporter l'outil à l'aide de la poignée. Ne transportez jamais l'outil par le conduit d'air.
- N'altérez pas ni ne modifiez la conception ou la fonction originales de l'outil sans en recevoir l'autorisation de DEWALT.
- Gardez toujours présent à l'esprit qu'une utilisation ou une manipulation incorrecte de cet outil sont susceptibles d'occasionner des blessures à vous-même et à d'autres personnes.
- N'attachez jamais et ne collez jamais avec du ruban en position actionnée la gâchette ou le déclencheur de contact.
- Ne laissez jamais un outil sans surveillance avec le conduit d'air attaché.
- Ne faites pas fonctionner l'outil s'il ne comporte pas une ÉTIQUETTE D'AVERTISSEMENT lisible.
- Cessez d'utiliser l'outil en cas de fuite d'air ou s'il ne fonctionne pas correctement. Avisez votre représentant DEWALT le plus proche si votre outil continue de mal fonctionner.

## VÉRIFICATION DU FONCTIONNEMENT DE L'OUTIL

**▲ AVERTISSEMENT :** Retirez toutes les attaches de l'outil avant d'effectuer une vérification du fonctionnement de l'outil.

**▲ AVERTISSEMENT :** Si l'outil a été échappé ou si vous soupçonnez que l'outil est endommagé, effectuez une vérification de fonctionnement de l'outil.

### FONCTIONNEMENT EN MODE DÉCLENCHEMENT SÉQUENTIEL

A. Appuyez le déclencheur de contact contre la surface de travail, sans toucher la gâchette.

**L'OUTIL NE DOIT PAS ÊTRE ACTIONNÉ.**

B. Retirez l'outil de la surface de travail et appuyez sur la gâchette.

**L'OUTIL NE DOIT PAS ÊTRE ACTIONNÉ.**

Relâchez la gâchette. La gâchette doit revenir à l'arrêt de gâchette sur le bâti.

C. Appuyez sur la gâchette et appuyez le déclencheur de contact contre la surface de travail.

**L'OUTIL NE DOIT PAS ÊTRE ACTIONNÉ.**

D. En enlevant votre doigt de sur la gâchette, appuyez le déclencheur de contact contre la surface de travail.

Appuyez sur la gâchette.

**L'OUTIL DOIT ÊTRE ACTIONNÉ.**

## ENTRETIEN DE L'OUTIL PNEUMATIQUE

**▲ AVERTISSEMENT :** Prenez note des avertissements de ce manuel lorsque vous travaillez avec des outils pneumatiques et prenez toutes les précautions possibles lorsque vous évaluez les outils à problèmes.

**▲ AVERTISSEMENT :** Si l'outil a été échappé ou si vous soupçonnez qu'il est endommagé, effectuez une vérification de fonctionnement de l'outil tel que défini dans la section de vérification de fonctionnement de l'outil.

**▲ ATTENTION :** Ressort du pousseur (ressort à force constante) Faites preuve de prudence lorsque vous travaillez avec l'assemblage du ressort. Le ressort est embobiné autour d'un rouleau, mais sans y être attaché. Si le ressort est détendu au-delà de sa longueur, le bout se décrochera du rouleau et le ressort se contractera d'un coup, et pourrait pincer votre main. Les bords du ressort sont très minces et peuvent vous couper. Vous devez aussi faire attention que des nœuds permanents ne se forment pas dans le ressort puisque cela affaiblirait la force du ressort.

### PIÈCES DE RECHANGE

N'utilisez que de pièces de rechange d'origine DEWALT. N'utilisez pas de pièces modifiées.

### PROCÉDURE D'ASSEMBLAGE DES JOINTS

Lorsque vous réparez un outil, assurez-vous que les pièces internes sont propres et lubrifiées. Utilisez du Parker "O"-LUBE, Magnalube ou l'équivalent sur tous les joints toriques. Enduisez chaque joint torique de lubrifiant avant l'assemblage.

### ALIMENTATION D'AIR-PRESSION ET VOLUME

Le volume d'air est aussi important que la pression d'air. Le volume d'air fourni à l'outil peut être inadéquat en raison de garnitures et conduits trop justes, ou en raison de la présence de poussière ou d'eau dans le système. Un débit d'air restreint empêchera que l'outil reçoive suffisamment d'air, même si la pression est haute. Il en résulte un fonctionnement ralenti, un défaut d'alimentation ou une force motrice réduite. Avant d'évaluer les problèmes d'outils pour ces symptômes, localisez le parcours de l'alimentation d'air de l'outil à la source d'alimentation afin d'identifier les connecteurs restrictifs, les points bas contenant de l'eau et toute autre obstruction qui pourrait empêcher l'écoulement du plein volume d'air vers l'outil.

# DÉPANNAGE

PROBLÈME	CAUSE	SOLUTION
<b>De l'air s'échappe du compartiment de soupape de la gâchette</b>	Le joint torique est coupé ou craquelé.....	Remplacez le joint torique
<b>La tige de soupape de la gâchette laisse fuir de l'air</b>	Le joint torique est coupé ou craquelé.....	Remplacez la soupape de la gâchette
<b>Fuite d'air du châssis/nez de pose</b>	Le joint torique ou étanche est coupé ..... L'amortisseur est craquelé ou usé .....	Remplacez le joint torique ou étanche ou craquelé Remplacez l'amortisseur
<b>Fuite d'air du châssis/capuchon</b>	Joint endommagé..... Soupape craquelée ou usée .....	Remplacez le joint Remplacez la soupape
	Vis d'assemblage desserrées .....	Resserrez et vérifiez de nouveau
<b>Cycle non amorcé</b>	Il y a restriction dans l'alimentation d'air..... Soupape usée .....	Vérifiez l'équipement d'alimentation d'air Remplacez la soupape
	Ressort de capuchon de cylindre brisé .....	Remplacez le ressort de capuchon de cylindre
	Soupape coincée dans le capuchon.....	Désassemblez / Vérifiez / Lubrifiez
<b>Manque de puissance, l'outil tourne au ralenti</b>	Ressort de capuchon de cylindre brisé .....	Remplacez le ressort de capuchon
	Les segments ou les joints sont coupés ..... ou craquelés	Remplacez les segments ou les joints
	Échappement bloqué .....	Vérifiez l'amortisseur, le ressort de soupape
	L'assemblage de la gâchette est trop usé .....	Remplacez l'assemblage ou fuit
	Des impuretés se sont accumulées sur .....	Démontez le nez de pose et le mandrin afin de les nettoyer le mandrin
	La chemise du cylindre n'appuie pas comme il faut sur l'amortisseur du fond.....	Démontez afin de corriger le problème
	La pression d'air est trop basse.....	Vérifiez l'équipement d'alimentation d'air
<b>L'outil saute des attaches; l'alimentation est intermittente</b>	L'amortisseur est usé.....	Remplacez l'amortisseur
	Du goudron/des impuretés se sont accumulés .....	Démontez le nez de pose et le mandrin afin de les nettoyer dans la rainure du mandrin
	Alimentation d'air restreinte ou débit d'air inadéquat dans la douille de débranchement rapide et la fiche .....	Remplacez les raccords de débranchement rapide
	Le segment de piston est usé.....	Remplacez le segment, vérifiez le mandrin
	Le ressort du poussoir est endommagé .....	Remplacez le ressort
	La pression d'air est basse.....	Vérifiez le système d'alimentation d'air vers l'outil
	Les vis du nez de pose du magasin .....	Resserrez toutes les vis
	Les attaches sont trop petites pour l'outil .....	N'utilisez que les attaches recommandées
	Attaches pliées .....	Cessez d'utiliser ces attaches
	Taille incorrecte des attaches .....	N'utilisez que les attaches recommandées
	Le joint statique fuit .....	Serrez les vis et remplacez le joint statique
	Le joint torique de la soupape de déclenchement est coupé ou trop usé .....	Remplacez le joint torique
	Le mandrin est cassé ou détérioré .....	Remplacez le mandrin (vérifiez le segment de piston)
	Le magasin est sale ou trop peu lubrifié .....	Nettoyez et lubrifiez et utilisez le lubrifiant pour outil pneumatique DeWALT
	Le magasin est trop usé .....	Remplacez le magasin
<b>Attaches coincées dans l'outil</b>	La rainure du mandrin est usée.....	Remplacez le nez de pose, vérifiez la porte
	Taille incorrecte des attaches .....	N'utilisez que les attaches recommandées
	Attaches pliées .....	Cessez d'utiliser ces attaches
	Les vis du nez de pose ou magasin .....	Resserrez toutes les vis
	Le mandrin est cassé ou détérioré .....	Remplacez le mandrin

## LISTE DE VÉRIFICATION POUR L'ENTRETIEN

Entretien	Bienfait	Procédure	Intervalle de service
Inspectez la performance de la gâchette	Assurez-vous que le système de gâchette est en bon état de marche	Reportez-vous à la section Vérification du fonctionnement de l'outil du présent manuel	Chaque jour
Drainez le condensat des réservoirs de compresseur d'air et des filtres à air (si installés)	Prévient l'accumulation de l'humidité qui peut affaiblir la performance de l'outil	Ouvrez les robinets de purge des réservoirs et des filtres à air et drainez-en tout le condensat	Chaque jour
Nettoyez l'assemblage du magasin	Prévient l'accumulation de débris qui pourraient causer un blocage	Nettoyez au jet d'air comprimé	Chaque jour
Nettoyez l'assemblage du nez de pose	Prévient l'accumulation de débris qui pourraient causer un blocage	Nettoyez au jet d'air comprimé	Chaque jour
Assurez-vous que toutes les pièces de fixation sont bien serrées	Prévient les pièces lâches	Serrez toutes les pièces de fixation à l'aide de la clé hex de la bonne taille	Chaque semaine
Remplacez le raccord d'air	Maintient un écoulement d'air approprié au moteur pour une performance optimale	Enlevez le raccord d'air à usé et remplacez-le par un raccord d'air à neuf	50 000 attaches
Remplace l'assemblage piston-entraînement	Maintient la qualité de l'entraînement	Reportez-vous aux instructions de l'ensemble de pièces de rechange	150 000 attaches
Remplacez les joints toriques	Maintient la performance optimale du moteur	Reportez-vous aux instructions de l'ensemble de pièces de rechange	250 000 attaches
Remplacez l'amortisseur	Maintient la performance optimale du moteur	Reportez-vous aux instructions de l'ensemble de pièces de rechange	250 000 attaches
Remplacez la soupape	Maintient la performance optimale du moteur	Reportez-vous aux instructions de l'ensemble de pièces de rechange	250 000 attaches
Remplace le cylindre de moteur	Maintient la performance optimale du moteur	Reportez-vous aux instructions de l'ensemble de pièces de rechange	500 000 attaches

## AUTRES PRODUITS DeWALT POUR PLANCHERS



**DWMIIIFS**  
AGRAFES À PLANCHER  
DE CALIBRE 15,5



**DWMIIIFN**  
AGRAFEUSE À PLANCHER  
CALIBRE 16



**DWMFN-201**  
AGRAFEUSE À PLANCHER  
MANUELLE DE CALIBRE 16



**DWFP12569**  
2 EN 1 : GABARIT  
D'AGRAFEUSE A PARQUET  
DE 15,5 ET GABARIT DE  
CLOUEUSE A PARQUET DE 16

Pour plus de renseignements, allez au :  
**[www.DeWALT.com](http://www.DeWALT.com)**

DeWALT Industrial Tool Co., 701 East Joppa Road, Towson, MD 21286  
(JUN16) Part No. 9R214370 DWEHF1838, DWEHF2025 Copyright © 2016 DeWALT

The following are trademarks for one or more DeWALT power tools: the yellow and black color scheme, the "D" shaped air intake grill, the array of pyramids on the handgrip, the kit box configuration, and the array of lozenge-shaped humps on the surface of the tool.