

DEWALT®



**Instruction Manual
Guide D'utilisation
Manual de instrucciones**

DWH303DH

**Dust Extraction System with HEPA Filter
Système de dépoussiérage avec filtre HEPA
Sistema de extracción de polvo con filtro HEPA**

www.DEWALT.com

**If you have questions or comments, contact us.
Pour toute question ou tout commentaire, nous contacter.
Si tiene dudas o comentarios, contáctenos.**

1-800-4-DEWALT

ENGLISH

English (**original instructions**) 1

Français (*traduction de la notice d'instructions originale*) 7

Español (*traducido de las instrucciones originales*) 14

Definitions: Safety Alert Symbols and Words

This instruction manual uses the following safety alert symbols and words to alert you to hazardous situations and your risk of personal injury or property damage.



DANGER: Indicates an imminently hazardous situation which, if not avoided, **will** result in **death or serious injury**.



WARNING: Indicates a potentially hazardous situation which, if not avoided, **could** result in **death or serious injury**.



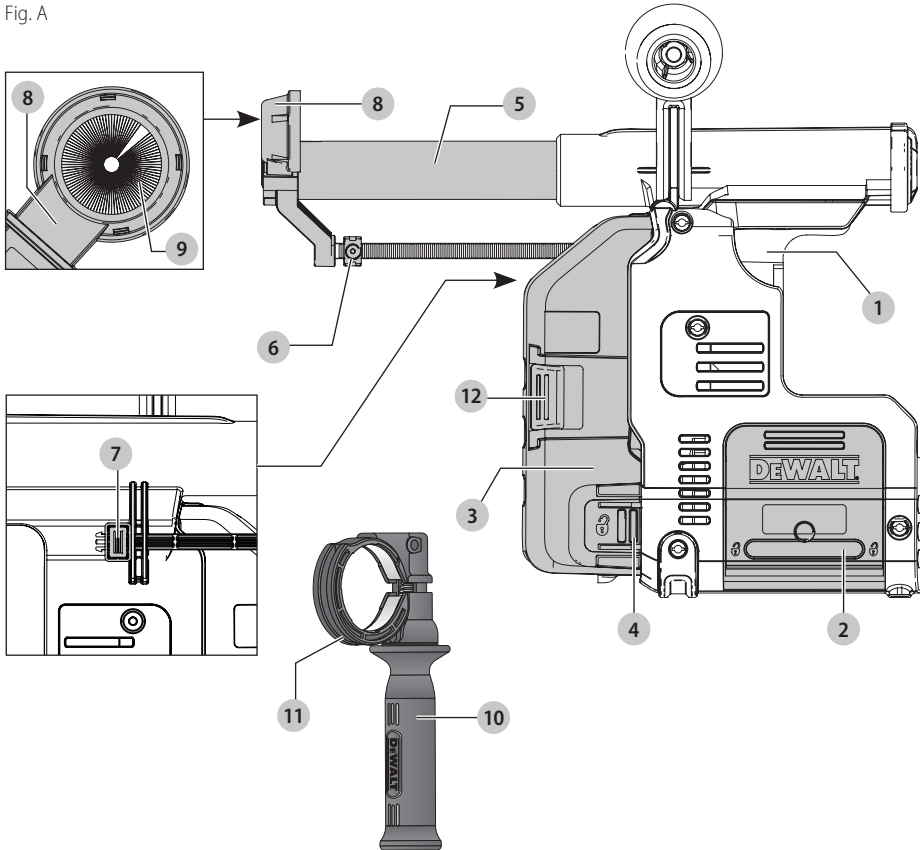
CAUTION: Indicates a potentially hazardous situation which, if not avoided, **may** result in **minor or moderate injury**.



(Used without word) Indicates a safety related message.

NOTICE: Indicates a practice **not related to personal injury** which, if not avoided, **may** result in **property damage**.

Fig. A



1 Dust extraction system

2 Base release buttons

3 Dust collection box

4 Dust collection box
release buttons

5 Telescope

6 Depth adjustment
button

7 Length adjustment
button

8 Dust extraction head

9 Dust brush

10 Side handle

11 Side handle support
groove

12 Filter cleaning
mechanism



WARNING! Read all safety warnings and all instructions. Failure to follow the warnings and instructions may result in electric shock, fire and/or serious injury.



WARNING: To reduce the risk of injury, read the instruction manual.

If you have any questions or comments about this or any DeWALT tool, call us toll free at: 1-800-4-DeWALT (1-800-433-9258).

IMPORTANT SAFETY INSTRUCTIONS

READ ALL INSTRUCTIONS BEFORE USING THIS DUST EXTRACTOR

 **WARNING:** To reduce the risk of fire, electric shock, or injury:

- **DO NOT** allow to be used as a toy. Close attention is necessary when used by or near children.
- **USE ONLY** as described in this manual. Use only manufacturer's recommended attachments.
- **DO NOT** use with damaged cord or plug. If appliance is not working as it should, has been dropped, damaged, left outdoors, or dropped into water, return it to a service center.
- **DO NOT** handle plug or appliance with wet hands.
- **DO NOT** put any object into openings. Do not use with any opening blocked; keep free of dust, lint, hair, and anything that may reduce air flow.
- **KEEP** hair, loose clothing, fingers, and all parts of body away from openings and moving parts.
- **TURN OFF** all controls before unplugging.
- **USE EXTRA CARE** when cleaning on stairs.
- **DO NOT** use to pick up flammable or combustible liquids, such as gasoline, or use in areas where they may be present.
- **DO NOT** pick up anything that is burning or smoking, such as cigarettes, matches, or hot ashes.
- **DO NOT** use without dust bag and/or filters in place.

SAVE THESE INSTRUCTIONS

Personal Safety


- a) **Prevent unintentional starting. Ensure the switch is in the off-position before connecting to battery pack, picking up or carrying the appliance.** Carrying the appliance with your finger on the switch or energizing appliance that have the switch on invites accidents.
- b) **Disconnect the battery pack from the appliance before making any adjustments, changing accessories, or storing appliance.** Such preventive safety measures reduce the risk of starting the appliance accidentally.
- c) **Recharge only with the charger specified by the manufacturer.** A charger that is suitable for one type of battery pack may create a risk of fire when used with another battery pack.
- d) **Use appliances only with specifically designated battery packs.** Use of any other battery packs may create a risk of injury and fire.

- e) **When battery pack is not in use, keep it away from other metal objects, like paper clips, coins, keys, nails, screws or other small metal objects, that can make a connection from one terminal to another.** Shorting the battery terminals together may cause burns or a fire.
- f) **Under abusive conditions, liquid may be ejected from the battery; avoid contact. If contact accidentally occurs, flush with water. If liquid contacts eyes, additionally seek medical help. Liquid ejected from the battery may cause irritation or burns.**
- g) **Do not use a battery pack or appliance that is damaged or modified.** Damaged or modified batteries may exhibit unpredictable behavior resulting in fire, explosion or risk of injury.
- h) **Do not expose a battery pack or appliance to fire or excessive temperature. Exposure to fire or temperature above 265 °F (130 °C) may cause explosion.**
- i) **Follow all charging instructions and do not charge the battery pack or appliance outside of the temperature range specified in the instructions.** Charging improperly or at temperatures outside of the specified range may damage the battery and increase the risk of fire.

Additional Safety Information

 **WARNING: ALWAYS** use safety glasses. Everyday eyeglasses are NOT safety glasses. Also use face or dust mask if cutting operation is dusty. **ALWAYS WEAR CERTIFIED SAFETY EQUIPMENT:**

- ANSI Z87.1 eye protection (CAN/CSA Z94.3),
- ANSI S12.6 (S3.19) hearing protection,
- NIOSH/OSHA/MSHA respiratory protection.

 **WARNING:** Some dust created by power sanding, sawing, grinding, drilling, and other construction activities contains chemicals known to the State of California to cause cancer, birth defects or other reproductive harm. Some examples of these chemicals are:

- lead from lead-based paints,
- crystalline silica from bricks and cement and other masonry products, and
- arsenic and chromium from chemically-treated lumber.

Your risk from these exposures varies, depending on how often you do this type of work. To reduce your exposure to these chemicals: work in a well ventilated area, and work with approved safety equipment, such as those dust masks that are specially designed to filter out microscopic particles.

- **Avoid prolonged contact with dust from power sanding, sawing, grinding, drilling, and other construction activities. Wear protective clothing and wash exposed areas with soap and water.** Allowing dust to get into your mouth, eyes, or lay on the skin may promote absorption of harmful chemicals.

- **Do not use without dustbox and/or filter in place.**
- **Do not use the appliance to pick up flammable or combustible liquids, such as gasoline, or use in areas where flammable or combustible liquids are present.**
- **Do not pick up anything that is burning or smoking, such as cigarettes, matches or hot ashes.**
- **To avoid spontaneous combustion, empty dust box after each use.**
- **Do not leave dust extractor unattended when battery is installed.** Remove battery pack when not in use and before servicing.
- **Do not put any objects into the openings.** Do not use with any opening blocked; keep free of dust, lint, hair and anything else that may reduce air flow.

WARNING: Use of this tool can generate and/or disburse dust, which may cause serious and permanent respiratory or other injury. Although the filter material removes 99.97% of airborne particles 0.3 microns or greater, the dust extraction system may not capture all of the dust created by the drilling operation. Always use NIOSH/OSHA approved respiratory protection appropriate for the dust exposure. Direct particles away from face and body.

WARNING: Always wear proper personal hearing protection that conforms to ANSI S12.6 (S3.19) during use. Under some conditions and duration of use, noise from this product may contribute to hearing loss.

CAUTION: When not in use, place tool on its side on a stable surface where it will not cause a tripping or falling hazard. Some tools with large battery packs will stand upright on the battery pack but may be easily knocked over.

- **Air vents often cover moving parts and should be avoided.** Loose clothes, jewelry or long hair can be caught in moving parts.

SAVE THESE INSTRUCTIONS FOR FUTURE USE

COMPONENTS (FIG. A)

WARNING: Never modify the power tool or any part of it. Damage or personal injury could result.

Refer to Figure A at the beginning of this manual for a complete list of components.

INTENDED USE

Your dust extraction system DWH303DH has been designed for the extraction of dust in professional hammerdrilling in masonry or concrete, and with solid drill bits mounted to the power tool. DO NOT use for drilling plastic, wood or metal. DO NOT use with hollow bits or core bits.

This dust extraction system will fit DeWALT 20V Max cordless SDS Plus hammers DCH273 and DCH274.

DO NOT use under wet conditions or in presence of flammable liquids or gases.

The dust extraction system is an attachment for use with professional power tools.

DO NOT let children come into contact with the tool. Supervision is required when inexperienced operators use this tool.

SPECIFICATIONS

Max Drilling Depth	4" (100 mm)
Max Drill Bit Length	6" (150 mm)
Max Drilling Diameter	5/8" (16 mm)

ASSEMBLY AND ADJUSTMENTS

WARNING: To reduce the risk of serious personal injury, turn off tool and disconnect the tool from the power source before making any adjustments or removing/installing attachments or accessories. An accidental start-up can cause injury.

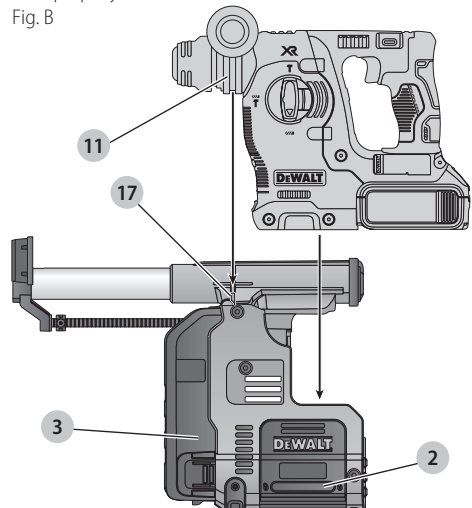
Attaching and Removing the Dust Extraction System

To Attach the Dust Extraction System (Fig. A–C)

WARNING: To reduce the risk of personal injury, ALWAYS operate the tool with the side handle properly installed and securely tightened. Failure to do so may result in the side handle slipping during tool operation and subsequent loss of control. Hold tool with both hands to maximize control.

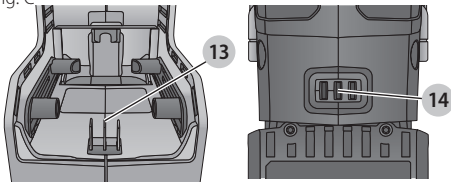
1. Remove the drill bit, side handle and the depth adjustment rod, if attached to the rotary hammer.
2. Attach supplied side handle **10** to the hammer.
3. Ensure the base release buttons **2** are depressed and locked in the open position before attempting to fit the dust extraction system to the rotary hammer.
4. Insert hammer into the extractor, ensuring that both the electrical connectors **13** **14** and side handle support groove **11** and locator **17** align. The base released buttons will click into the closed position when hammer is properly seated in the extractor.

Fig. B



ENGLISH

Fig. C



5. Test to see if the dust extractor is properly installed on the rotary hammer:
 - a. Install the dust extractor.
 - b. Start your drilling operation and stop after 1/4" (6 mm).
 - c. Lift the tool and check if the dust extraction is working. There should be no debris.
 - d. If the dust extractor is operating properly continue your work.

To Remove the Dust Extraction System (Fig. B)

To remove the dust extraction system, press the two extractor base release buttons **2** and lift the rotary hammer off the duct extraction system.

The side handle must be removed to store the dust extractor properly in the kitbox.

OPERATION



WARNING: To reduce the risk of serious personal injury, turn off tool and disconnect the tool from the power source before making any adjustments or removing/installing attachments or accessories. An accidental start-up can cause injury.



WARNING: For your own safety, read the tool instruction manual before using any accessory. Failure to heed these warnings may result in personal injury and serious damage to the tool and the accessory. When servicing this tool, use only identical replacement parts.



WARNING: Do not use the tool without the filter in place.

Proper Hand Position (Fig. D)



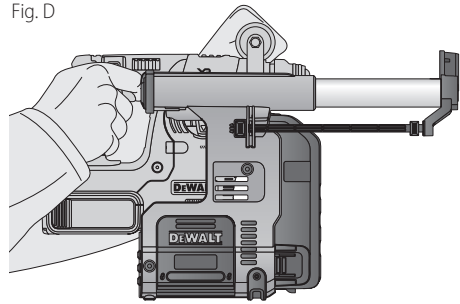
WARNING: To reduce the risk of serious personal injury, ALWAYS use proper hand position as shown.



WARNING: To reduce the risk of serious personal injury, ALWAYS hold securely in anticipation of a sudden reaction.

Proper hand position requires one hand on the main handle of the hammer and one hand on the side handle. The side handle must be installed for proper use.

Fig. D



Switch

The extraction system automatically starts when the rotary hammer is turned on.

Filter Cleaning Mechanism

The filter cleaning mechanism is a feature that uses the motor in the rotary hammer to force air through the HEPA filter. Refer to **Emptying the Dust Collection Box** for instructions on proper use.

Electronic Switch-off Delay

After turning the rotary hammer off, the extraction system will run for a few seconds longer to vacuum the remaining dust particles in the internal parts and collect the dust in the dust collection box.

Setting the Drilling Depth (Fig. A)

Press the depth adjustment button **6** on top of the front slider and move it to the desired drilling depth. Release the button.

Adjusting the Drill Length (Fig. A)

1. Insert the appropriate drill bit. The dust extractor head is designed for bits up to 1" (25.4 mm) diameter.
2. Hold the dust extraction head **8** against a wall.
3. Push the tool to make the drill bit touch the surface.
4. Press the length adjustment button **7** on top of the back slider and move it to the desired length. Release the button.
5. Gently withdraw the tool assembly from the wall, taking care that the spring-loaded mechanism does not release.

Emptying the Dust Collection Box (Fig. A, E, F)



WARNING: ALWAYS use eye protection (CAN/CSA Z94.3). All users and bystanders must wear eye protection that conforms to ANSI Z87.1.



WARNING: ALWAYS use proper NIOSH/OSHA/MSHA respiratory protection when performing this procedure.



CAUTION: Do not clean with water or compressed air.

The dust collection box **3** should be emptied as soon as the performance has noticeably decreased or is full.

1. Press the dust collection box release buttons **4** and pull the dust collection box away from the dust extraction system. Once the catch mechanism is clear of the dust extraction system the upper joint will also release allowing the dust collection box to be removed completely.
2. To empty the dust collection box **3** position it over a suitable container to catch the dust contained within it. Lift up the assembly release latch **16** to open the dust collection box, separating the canister from the lid. Gently tapping the dust collection box will encourage any dust trapped within the filter to also be removed. Once the filter lid and canister are empty reattach them, ensuring the assembly release latch **16** is securely fastened. Refer to Figure E.
3. To reattach the dust collection box to the dust extraction system first insert the rounded profile of the upper joint into the recess on the dust extraction system. Pivot the dust collection box down so that the release buttons click back into place. Refer to Figure E.
4. With the dust collection box properly installed, depress the filter cleaning mechanism **12** and squeeze trigger on tool. Allow the system to run for 5 seconds and release trigger. This should be done after every emptying of the dust collection box.

Fig. E

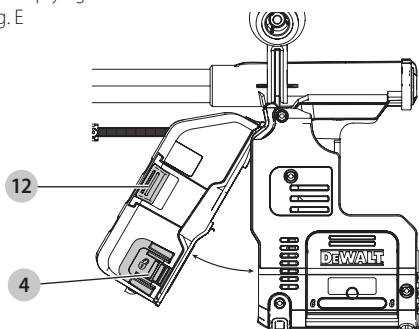
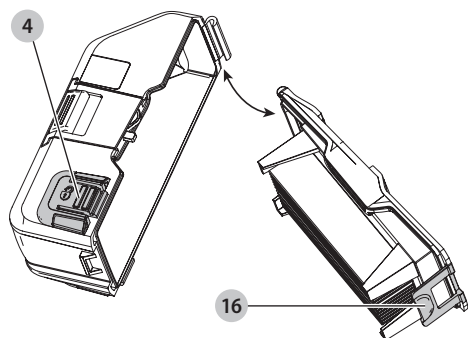


Fig. F



MAINTENANCE

- WARNING:** To reduce the risk of serious personal injury, turn off tool and disconnect the tool from the power source before making any adjustments or removing/installing attachments or accessories. An accidental start-up can cause injury.

Your dust collector has been designed to operate over a long period of time with a minimum of maintenance. Continuous satisfactory operation depends on proper tool care and regular cleaning. Empty the dust extractor periodically or when the performance has noticeably decreased.

Replacing the Dust Collection Box Filter Assembly (Fig. A, E)

- WARNING:** Wear approved eye protection and approved dust mask when performing this procedure.

NOTE: The filter should be replaced after every 350 cycles of use.

1. Press the dust collection box release buttons **4** and pull the dust collection box away from the dust extraction system. Once the catch mechanism is clear of the dust extraction system the upper joint will also release allowing the dust collection box to be removed completely.
2. Discard dust collection box **3** replace with a new DWH302DH filter box.
3. Reattach the dust collection box to the dust extraction system. First insert the rounded profile of the upper joint into the recess on the dust extraction system. Pivot the dust collection box down so that the release buttons click back into place.

Replacing the Dust Extraction Head (Fig. A, G)

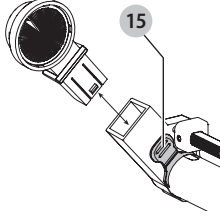
- WARNING:** ALWAYS use eye protection (CAN/CSA Z94.3). All users and bystanders must wear eye protection that conforms to ANSI Z87.1.

- WARNING:** Use of this tool can generate and/or disburse dust, which may cause serious and permanent respiratory or other injury. Always use NIOSH/OSHA approved respiratory protection appropriate for the dust exposure.




The dust brush will wear during use and will need to be replaced at the same time as the filter.

1. Push the snap-fit button **15**, and pull the dust extraction head **8** out of the head holder.
2. Push the new extraction head back into the head holder. The centering pin will stick into the open end of the dust brush and secure it in place.

Fig. G




Cleaning

-  **WARNING:** *Wear approved eye protection and approved dust mask when performing this procedure.*
-  **WARNING:** *Do not use a brush to clean the dust collector or filter.*
-  **WARNING:** *Never use solvents or other harsh chemicals for cleaning the non-metallic parts of the tool. These chemicals may weaken the plastic materials used in these parts. Use a cloth dampened only with water and mild soap. Never let any liquid get inside the tool; never immerse any part of the tool into a liquid.*

During intensive use the dust collector becomes clogged with dust. Refer to **Replacing The Dust Collector Box Filter Assembly**, under **Maintenance**.


Accessories

-  **WARNING:** *Since accessories, other than those offered by DeWALT, have not been tested with this product, use of such accessories with this tool could be hazardous. To reduce the risk of injury, only DeWALT recommended accessories should be used with this product.*

Recommended accessories for use with your tool are available at extra cost from your local dealer or authorized service center. If you need assistance in locating any accessory, please contact DeWALT Industrial Tool Co., 701 East Joppa Road, Towson, MD 21286, call 1-800-4-DeWALT (1-800-433-9258) or visit our website: www.dewalt.com.

Repairs

The charger and battery pack are not serviceable.

-  **WARNING:** *To assure product SAFETY and RELIABILITY, repairs, maintenance and adjustment (including brush inspection and replacement, when applicable) should be performed by a DeWALT factory service center or a DeWALT authorized service center. Always use identical replacement parts.*

Register Online

Thank you for your purchase. Register your product now for:

- **WARRANTY SERVICE:** Registering your product will help you obtain more efficient warranty service in case there is a problem with your product.
- **CONFIRMATION OF OWNERSHIP:** In case of an insurance loss, such as fire, flood or theft, your

registration of ownership will serve as your proof of purchase.

- **FOR YOUR SAFETY:** Registering your product will allow us to contact you in the unlikely event a safety notification is required under the Federal Consumer Safety Act.

Register online at www.dewalt.com/register.

Three Year Limited Warranty

DeWALT will repair, without charge, any defects due to faulty materials or workmanship for three years from the date of purchase. This warranty does not cover part failure due to normal wear or tool abuse. For further detail of warranty coverage and warranty repair information, visit www.dewalt.com or call 1-800-4-DeWALT (1-800-433-9258). This warranty does not apply to accessories or damage caused where repairs have been made or attempted by others. THIS LIMITED WARRANTY IS GIVEN IN LIEU OF ALL OTHERS, INCLUDING THE IMPLIED WARRANTY OF MERCHANTABILITY AND FITNESS FOR A PARTICULAR PURPOSE, AND EXCLUDES ALL INCIDENTAL OR CONSEQUENTIAL DAMAGES. Some states do not allow limitations on how long an implied warranty lasts or the exclusion or limitation of incidental or consequential damages, so these limitations may not apply to you. This warranty gives you specific legal rights and you may have other rights which vary in certain states or provinces.

In addition to the warranty, DeWALT tools are covered by our:

1 YEAR FREE SERVICE

DeWALT will maintain the tool and replace worn parts caused by normal use, for free, any time during the first year after purchase.

90 DAY MONEY BACK GUARANTEE

If you are not completely satisfied with the performance of your DeWALT Power Tool, Laser, or Nailer for any reason, you can return it within 90 days from the date of purchase with a receipt for a full refund – no questions asked.

LATIN AMERICA: This warranty does not apply to products sold in Latin America. For products sold in Latin America, see country specific warranty information contained in the packaging, call the local company or see website for warranty information.

FREE WARNING LABEL REPLACEMENT: If your warning labels become illegible or are missing, call 1-800-4-DeWALT (1-800-433-9258) for a free replacement.

Définitions : symboles et termes d'alarmes sécurité

Ces guides d'utilisation utilisent les symboles et termes d'alarmes sécurité suivants pour vous prévenir de situations dangereuses et de risques de dommages corporels ou matériels.



DANGER : indique une situation dangereuse imminente qui, si elle n'est pas évitée, **entraînera la mort ou des blessures graves**.



AVERTISSEMENT : indique une situation potentiellement dangereuse qui, si elle n'est pas évitée, **pourrait entraîner la mort ou des blessures graves**.



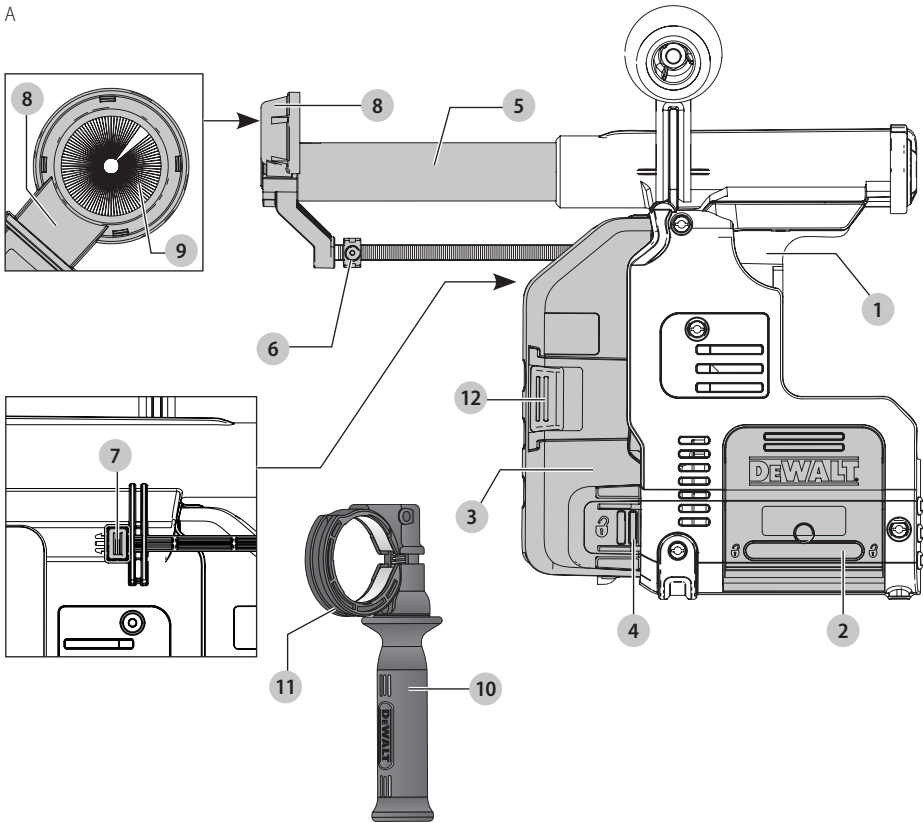
ATTENTION : indique une situation potentiellement dangereuse qui, si elle n'est pas évitée, **pourrait entraîner des blessures légères ou modérées**.



(Si utilisé sans aucun terme) Indique un message propre à la sécurité.

AVIS : indique une pratique ne posant **aucun risque de dommages corporels** mais qui par contre, si rien n'est fait pour l'éviter, **pourrait poser des risques de dommages matériels**.

Fig. A



- | | |
|--|--|
| 1 Système de dépoussiérage | 7 Bouton de réglage de longueur |
| 2 Boutons de libération de la base | 8 Tête de dépoussiérage |
| 3 Réceptacle à poussières | 9 Brosse de dépoussiérage |
| 4 Boutons de libération du réceptacle à poussières | 10 Poignée latérale |
| 5 Tuyau télescopique | 11 Rainure du support de la poignée latérale |
| 6 Bouton de réglage de profondeur | 12 Mécanisme de nettoyage du filtre |



AVERTISSEMENT! lire tous les avertissements de sécurité et toutes les directives. Le non-respect des avertissements et des directives pourrait se solder par un choc électrique, un incendie et/ou une blessure grave.



AVERTISSEMENT : afin de réduire le risque de blessures, lire le mode d'emploi de l'outil.

Pour toute question ou remarque au sujet de cet outil ou de tout autre outil DeWALT, composez le numéro sans frais : 1-800-4-DeWALT (1-800-433-9258).

CONSIGNES IMPORTANTES DE SÉCURITÉ

LISEZ TOUTES LES DIRECTIVES AVANT
D'UTILISER CE DÉPOUSSIÉREUR

⚠ AVERTISSEMENT : afin de réduire le risque d'incendie, de choc électrique ou de blessure :

- **NE PAS** le laisser être utilisé comme un jouet. Une attention particulière est nécessaire lorsque l'appareil est utilisé par des enfants ou près des enfants.
- **UTILISEZ SEULEMENT** comme il est décrit dans ce manuel. Utilisez seulement les accessoires recommandés du fabricant.
- **NE PAS** utiliser avec un cordon ou une fiche endommagés. Si l'appareil ne fonctionne pas comme il le devrait, a été échappé, endommagé, laissé à l'extérieur ou échappé dans l'eau, retournez-le dans un centre de services.
- **NE PAS** manipuler la fiche ou l'appareil avec les mains mouillées.
- **NE PAS** mettre tout objet dans les ouvertures. Ne pas utiliser si une ouverture est bloquée; tenez à l'écart de la poussière, de la charpie ainsi que des cheveux et de tout ce qui peut réduire la circulation de l'air.
- **GARDEZ** vos cheveux, vêtements amples, doigts et toutes les parties de votre corps loin des ouvertures et des pièces en mouvement.
- **ÉTEIGNEZ** toutes les commandes avant de débrancher.
- **SOYEZ TRÈS PRUDENT** durant le nettoyage des escaliers.
- **NE PAS** utiliser pour ramasser des liquides combustibles ou inflammables, comme l'essence ou utiliser dans des endroits où ils sont présents.
- **NE PAS** ramasser tout ce qui brûle ou fume comme des cigarettes, des allumettes ou des cendres chaudes.
- **NE PAS** utiliser sans le sac à poussière et/ou les filtres en place.

CONSERVEZ CES DIRECTIVES

Sécurité personnelle

- a) **Empêchez le démarrage non intentionnel. Assurez-vous que l'interrupteur est en position Arrêt avant de brancher le bloc-piles, lorsque vous ramassez ou transportez l'appareil.** Transporter l'appareil avec votre doigt sur l'interrupteur ou mettre sous tension l'appareil qui a un interrupteur allumé favorise les accidents.

- b) **Débranchez le bloc-piles de l'appareil avant d'effectuer tout ajustement, changer les accessoires ou ranger l'appareil.** Ces mesures de sécurité préventives réduisent le risque de démarrage accidentel de l'appareil.
- c) **Rechargez seulement avec le chargeur indiqué par le fabricant.** Un chargeur est approprié pour un type de bloc-piles peut créer un risque d'incendie s'il est utilisé avec un autre bloc-piles.
- d) **Utilisez des appareils seulement avec des blocs-piles spécialement conçus.** Utiliser d'autres blocs-piles peut créer un risque de blessure ou d'incendie.
- e) **Lorsque vous n'utilisez pas le bloc-piles, gardez-le hors de portée d'autres objets métalliques, comme les trombones, les pièces de monnaie, les clés, les clous, les vis et autres petits objets métalliques qui peuvent connecter une borne à une autre.** Faire un court-circuit entre les bornes des piles peut entraîner des brûlures ou un incendie.
- f) **En conditions abusives, du liquide peut être éjecté de la pile; évitez le contact. Si un contact se produit accidentellement, rincez avec de l'eau. Si du liquide entre en contact avec les yeux, consultez aussi un médecin. Le liquide éjecté de la pile peut entraîner une irritation ou des brûlures.**
- g) **Ne pas utiliser un bloc-piles ou un appareil qui est endommagé ou modifié.** Les piles endommagées ou modifiées peuvent avoir un comportement imprévisible entraînant un incendie, une explosion ou un risque de blessure.
- h) **Ne pas exposer le bloc-piles ou l'appareil au feu ou à une température excessive. L'exposition au feu ou à une température au-dessus de 130 °C (265 °F) peut entraîner une explosion.**
- i) **Suivez les instructions de chargement et ne pas charger le bloc-piles ou l'appareil en hors de la plage de températures indiquée dans les instructions.** Charger de façon inappropriée ou hors de températures de la plage indiquée peut endommager la pile et augmenter le risque d'incendie.

Consigne de sécurité supplémentaire

⚠ AVERTISSEMENT : porter **SYSTEMATIQUEMENT** des lunettes de protection. Les Lunettes courantes NE sont PAS des lunettes de protection. Utiliser aussi un masque antipoussières si la découpe doit en produire beaucoup. **PORTER SYSTÉMATIQUEMENT UN ÉQUIPEMENT DE SÉCURITÉ HOMOLOGUÉ :**

- Protection oculaire ANSI Z87.1 (CAN/CSA Z94.3) ;
- Protection auditive ANSI S12.6 (S3.19) ;
- Protection des voies respiratoires NIOSH/OSHA/MSHA.

⚠ AVERTISSEMENT : les scies, meules, ponceuses, perceuses ou autres outils de construction peuvent produire des poussières contenant des produits chimiques reconnus par l'État californien pour causer cancers, malformations congénitales ou être nocifs au

système reproducteur. Parmi ces produits chimiques, on retrouve :

- Le plomb dans les peintures à base de plomb ;
- La silice cristallisée dans les briques et le ciment, ou autres produits de maçonnerie ; et
- L'arsenic et le chrome dans le bois ayant subi un traitement chimique.

Le risque associé à de telles expositions varie selon la fréquence à laquelle on effectue ces travaux. Pour réduire toute exposition à ces produits : travailler dans un endroit bien aéré, en utilisant du matériel de sécurité homologué, tel un masque antipoussières spécialement conçu pour filtrer les particules microscopiques.

- **Limiter toute exposition prolongée avec les poussières provenant du ponçage, sciage, meulage, perçage ou toute autre activité de construction. Porter des vêtements de protection et nettoyer à l'eau savonneuse les parties du corps exposées. Le fait de laisser la poussière pénétrer dans la bouche, les yeux ou la peau peut favoriser l'absorption de produits chimiques dangereux.**
- **Ne pas utiliser l'appareil sans le réceptacle à poussières ou le filtre.**
- **Ne pas utiliser l'appareil pour aspirer des liquides inflammables ou combustibles, comme l'essence, ou l'utiliser dans des lieux abritant des liquides inflammables ou combustibles.**
- **Ne pas aspirer des objets incandescents, ou se consumer, comme les cigarettes, les allumettes ou les cendres chaudes.**
- **Pour éviter toute combustion spontanée, vider le réceptacle à poussières après chaque utilisation.**
- **Ne pas laisser l'extracteur de poussière sans supervision lorsque son bloc-piles est connecté.**
Retirer le bloc-piles après utilisation et avant tout entretien.
- **Ne pas insérer d'objet dans les ouvertures.** Ne pas l'utiliser si les ouvertures sont bloquées. Les maintenir propres et nettes de tout cheveu, toute poussière, peluche, ou toute autre chose pouvant en réduire la circulation d'air.



AVERTISSEMENT : l'utilisation de cet outil peut produire et/ou répandre de la poussière susceptible de causer des dommages sérieux et permanents au système respiratoire, ou autres dommages corporels. Bien que le matériau du filtre retire entre 99,97 % des particules de l'air de 0,3 micron ou plus, il se pourra que le système d'extraction des poussières ne capture pas l'ensemble de la poussière générée par les opérations de perçage. Utiliser systématiquement un appareil de protection des voies respiratoires homologué par NIOSH ou OSHA. Diriger les particules dans le sens opposé au visage et au corps.



AVERTISSEMENT : pendant l'utilisation, porter systématiquement une protection auditive individuelle adéquate homologuée ANSI S12.6 (S3.19). Sous certaines conditions et suivant la durée

d'utilisation, le bruit émanant de ce produit pourrait contribuer à une perte de l'acuité auditive.



ATTENTION : après utilisation, ranger l'outil sur son côté, sur une surface stable, là où il ne pourra ni faire trébucher ni faire chuter quelqu'un. Certains outils équipés d'un large bloc-piles peuvent tenir à la verticale sur celui-ci, mais manquent alors de stabilité.

- **Prendre des précautions à proximité des événements, car ils cachent des pièces mobiles.** Vêtements amples, bijoux ou cheveux longs risquent de rester coincés dans ces pièces mobiles.

CONSERVER CES CONSIGNES POUR UTILISATION ULTÉRIEURE

DESCRIPTION (FIG. A)



AVERTISSEMENT : ne jamais modifier l'outil électrique ni aucun de ses composants, car il y a risques de dommages corporels ou matériels.

Reportez-vous en figure A au début de ce manuel pour obtenir la liste complète des composants.

Usage Prévu

Votre système de dépoussiérage DWH303DH a été conçu pour extraire les poussières produites lors du martelage-perforage professionnel de la maçonnerie ou du béton, alors que l'outil électrique est muni d'un trépan plein. NE PAS utiliser cet outil pour percer le plastique, le bois, ou le métal. NE PAS utiliser avec des têtes à tourillonner ou des trépan carottiers.

Ce système de dépoussiérage fonctionnera sur les marteaux DeWALT de 20 V Max, sans fil, SDS Plus, modèles DCH273 et DCH274.

NE PAS le utiliser en milieu ambiant humide ou en présence de liquides ou de gaz inflammables.

Ce système de dépoussiérage est un accessoire conçu pour être utilisé avec des outils électriques professionnels.

NE PAS le laisser à la portée des enfants. Une supervision est nécessaire auprès de tout utilisateur non expérimenté.

CARACTÉRISTIQUES

Profondeur maximum de perçage	100 mm (4 po)
Longueur maximum du foret	150 mm (6 po)
Diamètre maximum de perçage	16 mm (5/8 po)

ASSEMBLAGE ET AJUSTEMENTS

⚠ **AVERTISSEMENT** : pour réduire le risque de blessures graves, éteindre l'outil et retirer avant d'effectuer tout réglage et d'enlever ou d'installer tout accessoire. Un démarrage accidentel peut provoquer des blessures.

Installation et retrait du système de dépoussiérage

Installation du système de dépoussiérage (Fig. A–C)

⚠ **AVERTISSEMENT** : pour réduire tout risque de dommages corporels, utiliser **SYSTÉMATIQUEMENT** l'outil avec sa poignée latérale installée correctement et solidement arrimée. Tout manquement à cette directive pourrait faire que la poignée latérale glisse pendant l'utilisation de l'outil et entraîner la perte de contrôle de celui-ci. Maintenir l'outil fermement à deux mains pour un contrôle optimal.

1. Retirez la mèche, la poignée latérale et la tige de réglage de profondeur, si rattachées au marteau rotatif.
2. Rattachez la poignée latérale **10** fournie au marteau.
3. Assurez-vous que les boutons de libération **2** de la base sont appuyés et verrouillés dans la position ouverte avant d'installer le système de dépoussiérage sur le marteau rotatif.
4. Insérez le marteau dans l'extracteur, en vous assurant que les deux connecteurs électriques **13 14**, la rainure du support **11** de la poignée latérale et le centreur **17** sont alignés. Les boutons de libération de la base s'encliqueteront dans la position fermée lorsque le marteau sera correctement emboîté dans l'extracteur.

Fig. B

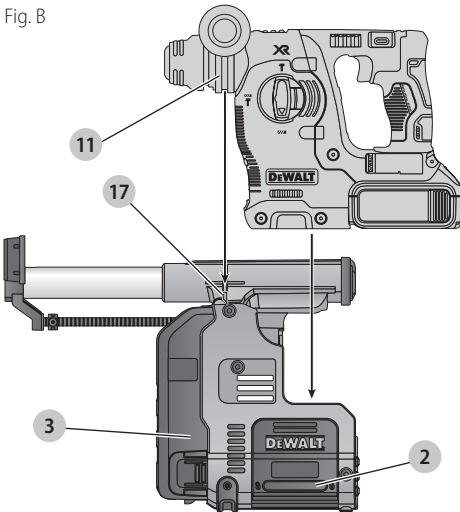
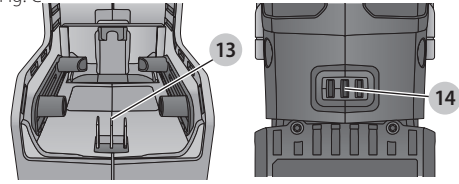


Fig. C



5. Testez pour vérifier si le dépoussiéreur est bien installé sur le marteau à percussion rotatif :
 - a. Installez le dépoussiéreur.
 - b. Commencez à percer et arrêtez après 6 mm (1/4 po).
 - c. Levez l'outil et vérifiez si le dépoussiérage fonctionne. Il devrait n'y avoir aucun débris.
 - d. Si le dépoussiéreur fonctionne bien, continuez votre travail.

Retrait du système de dépoussiérage (Fig. B)

Pour retirer le système de dépoussiérage, appuyez sur les deux boutons de libération **2** de la base de l'extracteur et retirez le marteau rotatif du système de dépoussiérage. La poignée latérale doit être retirée pour bien ranger le dépoussiéreur dans le boîtier.

UTILISATION

⚠ **AVERTISSEMENT** : pour réduire le risque de blessures graves, éteindre l'outil et retirer avant d'effectuer tout réglage et d'enlever ou d'installer tout accessoire. Un démarrage accidentel peut provoquer des blessures.

⚠ **AVERTISSEMENT** : pour votre sécurité, lire le manuel de l'utilisateur respectif à l'outil avant l'utilisation de tout accessoire. Tout manquement à ces avertissements augmente les risques de blessures, et les risques d'endommager sérieusement l'appareil et ses accessoires. Lors de l'entretien de cet outil, n'utiliser que des pièces de rechange identiques.

⚠ **AVERTISSEMENT** : ne pas utiliser l'outil sans son filtre.

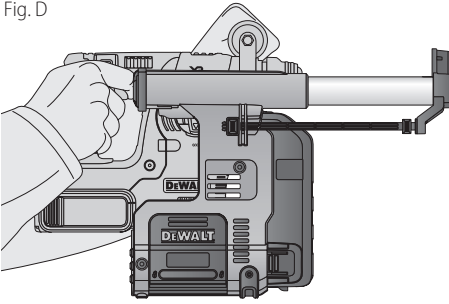
Position correcte des mains (Fig. D)

⚠ **AVERTISSEMENT** : pour réduire tout risque de dommages corporels graves, adopter **SYSTÉMATIQUEMENT** la position des mains illustrée.

⚠ **AVERTISSEMENT** : pour réduire tout risque de dommages corporels graves, maintenir **SYSTÉMATIQUEMENT** l'outil fermement pour anticiper toute réaction soudaine.

Une position des mains adéquate nécessite une main sur la poignée principale du marteau et une main sur la poignée latérale. La poignée latérale doit être installée pour un usage approprié.

Fig. D



Interrupteur

Le système de dépoussiérage démarre automatiquement lorsque le marteau rotatif est mis en marche.

Mécanisme de nettoyage du filtre

Le mécanisme de nettoyage du filtre est une fonction qui utilise le moteur du marteau à percussion rotatif pour faire entrer l'air par le filtre HEPA. Consultez **Vidange du réceptacle à poussières** pour des instructions sur une utilisation appropriée.

Arrêt électronique à retardement

Après l'arrêt du marteau rotatif, le système de dépoussiérage continuera de fonctionner quelques secondes pour aspirer complètement toutes les particules de poussières restant dans les pièces internes du système pour les collecter dans le réceptacle à poussières.

Réglage de la profondeur de perçage (Fig. A)

Appuyez sur le bouton de réglage de profondeur (6) sur le dessus de la glissière avant et ajustez-le sur la profondeur de perçage désirée. Relâchez le bouton.

Réglage de la longueur de perçage (Fig. A)

1. Insérez la mèche appropriée. La tête de l'extracteur de poussière a été conçue pour des diamètres de mèches allant jusqu'à 25,4 mm (1 po).
2. Maintenez la tête de dépoussiérage (8) contre un mur.
3. Poussez sur l'outil de façon à ce que la mèche soit en contact avec la surface.
4. Appuyez sur le bouton de réglage de longueur (7) sur le dessus de la glissière arrière et déplacez-le sur la longueur désirée. Relâchez le bouton.
5. Retirez lentement le dispositif de l'outil du mur, en prenant soin à ce que le mécanisme à ressort ne soit pas libéré.

Vidange du réceptacle à poussières (Fig. A, D, E)

AVERTISSEMENT : porter **SYSTÉMATIQUEMENT** une protection oculaire (CAN/CSA Z94.3). Tout utilisateur ou individu présent doit porter une protection oculaire homologuée ANSI Z87.1.

- AVERTISSEMENT** : porter **SYSTÉMATIQUEMENT** une protection des voies respiratoires NIOSH/OSHA/MSHA pour effectuer cette procédure.
- ATTENTION** : ne pas nettoyer avec de l'eau ou de l'air comprimé.

Le collecteur de poussière (3) doit être vidé dès que vous remarquez que la performance diminue sensiblement ou si le collecteur est plein.

1. Appuyez sur les boutons de libération du réceptacle à poussières (4) puis tirez le réceptacle hors du système de dépoussiérage. Une fois passé le mécanisme de retenue du système de dépoussiérage, l'articulation supérieure se relâchera, laissant ainsi la possibilité de retirer complètement le réceptacle à poussières.
2. Pour vider le réceptacle à poussières (3), placez-le au-dessus d'un réceptacle approprié pour y vider la poussière qu'il contient. Soulevez le verrou du dispositif de filtre (16) pour ouvrir le réceptacle à poussières, pour séparer le caisson du couvercle. Tapotez légèrement le réceptacle à poussières pour éliminer aussi toute poussière agglomérée sur le filtre. Une fois le couvercle du filtre et le réceptacle vidés, rattachez-les, en vous assurant que le verrou du dispositif de filtre (16) est soigneusement verrouillé. Reportez-vous en Figure E.
3. Pour rattacher le réceptacle à poussières au système de dépoussiérage, insérez d'abord le profilé arrondi de l'articulation supérieure dans la niche du système de dépoussiérage. Orientez le réceptacle à poussières vers le bas pour que les boutons de libération s'encliquettent en place. Reportez-vous en Figure E.
4. Avec le collecteur de poussière bien installé, appuyez sur le mécanisme de nettoyage du filtre (12) et appuyez sur la gâchette de l'outil. Laisser fonctionner le système pendant 5 secondes et relâcher la gâchette. Ceci doit être effectué après chaque fois que vous videz le collecteur de poussière.

Fig. E

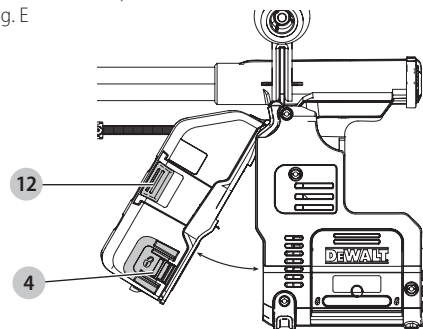
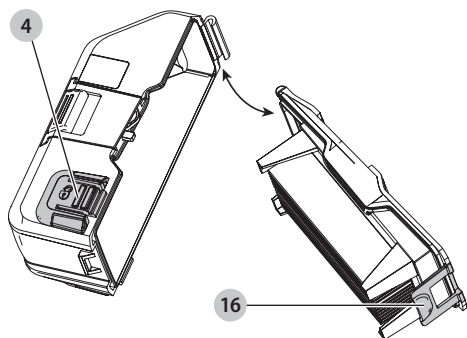


Fig. F



MAINTENANCE

AVERTISSEMENT : pour réduire le risque de blessures graves, éteindre l'outil et retirer avant d'effectuer tout réglage et d'enlever ou d'installer tout accessoire. Un démarrage accidentel peut provoquer des blessures.

Ce système de dépoussiérage a été conçu pour fonctionner longtemps avec un minimum d'entretien. Le fonctionnement continu et satisfaisant de l'outil dépend d'une maintenance adéquate et d'un entretien régulier. Vider périodiquement l'extracteur de poussière ou lorsque ses performances diminuent sensiblement.

Remplacement du dispositif du filtre du réceptacle à poussières (Fig. A, E)

AVERTISSEMENT : porter une protection oculaire et une protection des voies respiratoires homologuées pour effectuer cette procédure.

REMARQUE : le filtre devrait être remplacé tous les 350 cycles d'utilisation.

- Appuyez sur les boutons de libération du réceptacle à poussières 4 puis tirez le réceptacle hors du système de dépoussiérage. Une fois passé le mécanisme de retenue du système de dépoussiérage, l'articulation supérieure se relâchera, laissant ainsi la possibilité de retirer complètement le réceptacle à poussières.
- Jetez le collecteur de poussière 3 et remplacez par un nouveau boîtier de filtre DWH302DH.
- Pour rattacher le réceptacle à poussières au système de dépoussiérage, insérez d'abord le profilé arrondi de l'articulation supérieure dans la niche du système de dépoussiérage. Orientez le réceptacle à poussières vers le bas pour que les boutons de libération s'encliquettent en place.

Remplacer la tête de dépoussiérage (Fig. A, G)

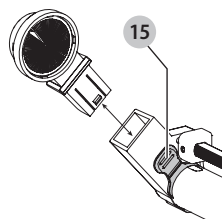
AVERTISSEMENT : porter SYSTÉMATIQUEMENT une protection oculaire (CAN/CSA Z94.3). Tout utilisateur ou individu présent doit porter une protection oculaire homologuée ANSI Z87.1.

AVERTISSEMENT : cet outil peut produire et/ou répandre de la poussière susceptible de causer des dommages sérieux et permanents au système respiratoire. Utiliser systématiquement un appareil de protection des voies respiratoires homologué par le NIOSH ou l'OSHA.

La brosse à épousseter s'usera durant l'utilisation et devra être remplacée en même temps que le filtre.

- Appuyez sur bouton-pression 15 à l'arrière de la tête du dépoussiéreur 8 et sortez la du support de tête.
- Réinsérez une nouvelle tête de dépoussiéreur dans le support de tête.
- Le goujon de centrage s'encastrent dans l'ouverture de la brosse de dépoussiérage et l'arrimera en place.

Fig. G



Nettoyage

AVERTISSEMENT : portez une protection approuvée pour les yeux et un masque antipoussières.

AVERTISSEMENT : enlever les saletés et la poussière hors des événements au moyen d'air comprimé propre et sec, au moins une fois par semaine. Pour minimiser le risque de blessure aux yeux, toujours porter une protection oculaire conforme à la norme ANSI Z87.1 lors du nettoyage.

AVERTISSEMENT : ne jamais utiliser de solvants ni d'autres produits chimiques puissants pour nettoyer les pièces non métalliques de l'outil. Ces produits chimiques peuvent affaiblir les matériaux de plastique utilisés dans ces pièces. Utiliser un chiffon humecté uniquement d'eau et de savon doux. Ne jamais laisser de liquide pénétrer dans l'outil et n'immerger aucune partie de l'outil dans un liquide.

En cas d'utilisation intensive, le système de dépoussiérage pourra être bouché par la poussière. Reportez-vous à la section **Remplacement du dispositif du filtre du réceptacle à poussières** sous **MAINTENANCE**.

Accessoires

AVERTISSEMENT : puisque les accessoires autres que ceux offerts par DeWALT n'ont pas été testés avec ce produit, leur utilisation pourrait s'avérer dangereuse. Pour réduire le risque de blessures, utiliser exclusivement les accessoires DeWALT recommandés avec le présent produit.

Les accessoires recommandés pour cet outil sont vendus séparément au centre de service de votre région. Pour obtenir de l'aide concernant l'achat d'un accessoire, communiquer avec DeWALT Industrial Tool Co., 701 East

Joppa Road, Towson, MD 21286 aux États-Unis; composer le 1 800 433-9258 (1 800 4-DeWALT) ou visiter notre site Web : www.dewalt.com.

Réparations



AVERTISSEMENT : pour assurer la **SÉCURITÉ** et la **FIABILITÉ** du produit, les réparations, l'entretien et les réglages doivent être réalisés (cela comprend l'inspection et le remplacement du balai, le cas échéant) par un centre de réparation en usine DeWALT ou un centre de réparation agréé DeWALT. Toujours utiliser des pièces de rechange identiques.

Registre en ligne

Merci pour votre achat. Enregistrez dès maintenant votre produit :

- **RÉPARATIONS SOUS GARANTIE :** cette carte remplie vous permettra de vous prévaloir du service de réparations sous garantie de façon plus efficace dans le cas d'un problème avec le produit.
- **CONFIRMATION DE PROPRIÉTÉ :** en cas de perte provoquée par un incendie, une inondation ou un vol, cette preuve de propriété vous servira de preuve auprès de votre compagnie d'assurances.
- **SÉCURITÉ :** l'enregistrement de votre produit nous permettra de communiquer avec vous dans l'éventualité peu probable de l'envoi d'un avis de sécurité régi par la loi fédérale américaine de la protection des consommateurs.

Registre en ligne à www.dewalt.com/register.

Garantie limitée de trois ans

DeWALT réparera, sans frais, tout produit défectueux causé par un défaut de matériel ou de fabrication pour une période de trois ans à compter de la date d'achat. La présente garantie ne couvre pas les pièces dont la défectuosité a été causée par une usure normale ou l'usage abusif de l'outil. Pour obtenir de plus amples renseignements sur les pièces ou les réparations couvertes par la présente garantie, visiter le site www.dewalt.com ou composer le 1 800 433-9258 (1 800 4-DeWALT). CETTE GARANTIE LIMITÉE REMPLACE TOUTE AUTRE GARANTIE, Y COMPRIS TOUTE GARANTIE IMPLICITE DE QUALITÉ MARCHANDE OU DE CONFORMITÉ À DES FINS PARTICULIÈRES, ET EXCLUT TOUT DOMMAGE ACCESSOIRE OU INDIRECT. Certains états n'autorisent aucune limitation quant à la durée d'une garantie implicite ni aucune exclusion ou limitation de garantie contre tout préjudice accessoire ou indirect, aussi il se peut que ces exclusions ne vous soient pas applicables. Cette garantie confère des droits légaux particuliers à l'acheteur, mais celui-ci pourrait aussi bénéficier d'autres droits variant d'un territoire à l'autre.

En plus de la présente garantie, les outils DeWALT sont couverts par notre :

CONTRAT D'ENTRETIEN GRATUIT D'UN AN

DeWALT entretiendra l'outil et remplacera les pièces usées au cours d'une utilisation normale et ce, gratuitement, pendant une période d'un an à compter de la date d'achat.

GARANTIE DE REMBOURSEMENT DE 90 JOURS

Si l'acheteur n'est pas entièrement satisfait, pour quelque raison que ce soit, du rendement de l'outil électrique, du laser ou de la cloueuse DeWALT, celui-ci peut le retourner, accompagné d'un reçu, dans les 90 jours à compter de la date d'achat pour obtenir un remboursement intégral, sans aucun problème.

AMÉRIQUE LATINE : cette garantie ne s'applique aux produits vendus en Amérique latine. Pour ceux-ci, veuillez consulter les informations relatives à la garantie spécifique présente dans l'emballage, appeler l'entreprise locale ou consulter le site Web pour les informations relatives à cette garantie.

REMPACEMENT GRATUIT DES ÉTIQUETTES

D'AVERTISSEMENT : si les étiquettes d'avertissement deviennent illisibles ou sont manquantes, composer le 1 800 433-9258 (1 800 4-DeWALT) pour en obtenir le remplacement gratuit.

Definiciones: Símbolos y palabras de alerta de seguridad

Este manual de instrucciones utiliza los siguientes símbolos y palabras de alerta de seguridad para alertarle de situaciones peligrosas y del riesgo de lesiones corporales o daños materiales.

⚠ PELIGRO: Indica una situación de peligro inminente que, si no se evita, provocará **la muerte o lesiones graves**.

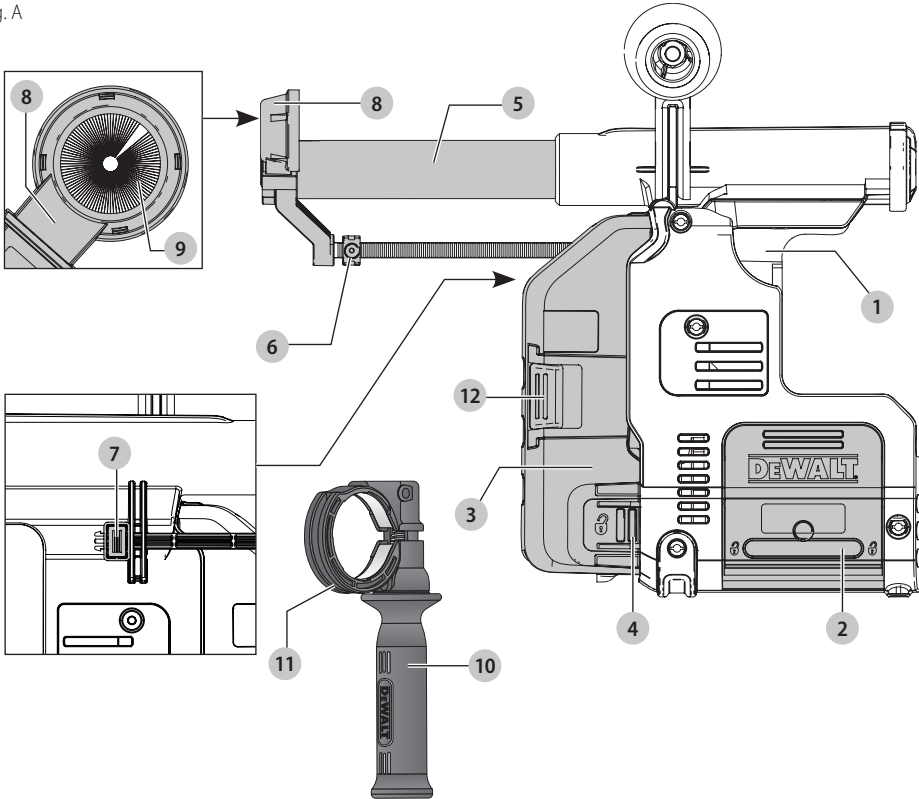
⚠ ADVERTENCIA: Indica una situación de peligro potencial que, si no se evita, **podría provocar la muerte o lesiones graves**.

⚠ ATENCIÓN: Indica una situación de peligro potencial que, si no se evita, **posiblemente provocaría lesiones leves o moderadas**.

⚠ (Utilizado sin palabras) indica un mensaje de seguridad relacionado.

AVISO: Se refiere a una práctica **no relacionada a lesiones corporales** que de no evitarse **puede resultar en daños a la propiedad**.

Fig. A



- 1 Sistema de extracción de polvo
- 2 Botones de liberación de la base
- 3 Cámara de recolección de polvo
- 4 Botones de liberación de la cámara de recolección de polvo
- 5 Telescopio
- 6 Botón de ajuste de profundidad
- 7 Botón de ajuste de longitud
- 8 Cabezal de extracción de polvo
- 9 Escobilla para polvo
- 10 Mango lateral
- 11 Ranura de apoyo para mango lateral
- 12 Mecanismo de limpieza de filtro

⚠ ¡ADVERTENCIA! Lea todas las advertencias de seguridad e instrucciones. El incumplimiento de las advertencias e instrucciones puede provocar descargas eléctricas, incendios o lesiones graves.

⚠ ADVERTENCIA: Para reducir el riesgo de lesiones, lea el manual de instrucciones.

Si tiene alguna duda o algún comentario sobre ésta u otra herramienta DeWALT, llámenos al número gratuito: 1-800-4-DeWALT (1-800-433-9258).

INSTRUCCIONES DE SEGURIDAD IMPORTANTES

LEA TODAS LAS INSTRUCCIONES ANTES
DE USAR ESTE EXTRACTOR DE POLVO

⚠ ADVERTENCIA: Para reducir el riesgo de incendios, descarga eléctrica, o lesiones:

- **NO** permita que se use como un juguete. Se necesita poner atención cuando sea usado por o cerca de niños.
- **SÓLO USE** como se describe en este manual. Sólo use conexiones recomendadas por el fabricante.
- **NO** use con el cable o enchufe dañado. Si el aparato no funciona como debería, se ha dejado caer, se dañó, se dejó en exteriores, o se dejó caer en agua, regréselo a un centro de servicio.
- **NO** maneje el enchufe o aparato con las manos húmedas.
- **NO** coloque ningún objeto en las aberturas. No lo use con ninguna abertura bloqueada; manténgalo libre de polvo, pelusa, cabello y cualquier cosa que pueda reducir el flujo de aire.
- **MANTENGA** el cabello, ropa suelta, y todas las partes del cuerpo alejados de las aberturas y partes móviles.
- **APAGUE** todos los controles antes de desconectar.
- **TENGA CUIDADO ADICIONAL** cuando limpie en escaleras.
- **NO** lo use para recoger líquidos inflamables o combustibles, tales como gasolina, o la use en áreas donde puedan estar presentes.
- **NO** recoja nada que esté encendido o humeando, tal como cigarrillos, cerillos, o cenizas calientes.
- **NO** lo use sin bolsa para polvo y/o filtros en su lugar.

CONSERVE ESTAS INSTRUCCIONES

Seguridad Personal

- a) **Evite el arranque no intencional. Asegure que el interruptor esté en la posición apagada antes de conectar al paquete de batería, recoger o transportar el aparato.** Transportar el aparato con su dedo en el interruptor o energizar el aparato que tenga el interruptor encendido puede provocar accidentes.
- b) **Desconecte el paquete de la batería del aparato antes de realizar cualquier ajuste, cambiar accesorios, o guardar el aparato.** Tales medidas preventivas de seguridad reducen el riesgo de encender el aparato por accidente.

- c) **Sólo recargue con el cargador especificado por el fabricante.** Un cargador que es adecuado para un tipo de paquete de batería puede crear un riesgo de incendio cuando se use con otro tipo de batería.
- d) **Use aparatos únicamente con los paquetes de batería designados específicamente.** El uso de cualquier otro paquete de batería puede crear un riesgo de lesiones e incendio.
- e) **Cuando el paquete de batería no esté en uso, manténgalo alejado de otros objetos metálicos, como sujetadores de papel, monedas, llaves, clavos, tornillos u otros objetos metálicos pequeños, que puedan hacer una conexión de una terminal a la otra.** Poner en corto las terminales de la batería puede causar quemaduras o un incendio.
- f) **Bajo condiciones abusivas, el líquido puede ser expulsado de la batería; evite el contacto. Si ocurre contacto accidentalmente, lave con agua. Si el líquido hace contacto con los ojos, busque ayuda médica adicional. El líquido expulsado de la batería puede causar irritación o quemaduras.**
- g) **No use un paquete de batería que esté dañado o modificado.** Las baterías dañadas o modificadas pueden presentar comportamiento imprevisto que resulte en incendio, explosión o riesgo de lesiones.
- h) **No exponga un paquete de batería o aparato a fuego o temperatura excesiva. La exposición a fuego o temperatura mayor a 130 °C (265 °F) puede causar una explosión.**
- i) **Siga todas las instrucciones de carga y no cargue el paquete de batería o el aparato fuera del rango de temperatura especificado en las instrucciones.** Cargar inadecuadamente o en una temperatura fuera del rango especificado puede dañar la batería e incrementar el riesgo de incendio.

Instrucción Adicional de Seguridad



ADVERTENCIA: Use **SIEMPRE** lentes de seguridad.

Los anteojos de diario **NO SON** lentes de seguridad. Utilice además una cubrebocas o mascarilla antipolvo si la operación de corte genera demasiado polvo.

SIEMPRE LLEVE EQUIPO DE SEGURIDAD CERTIFICADO:

- protección ocular ANSI Z87.1 (CAN/CSA Z94.3),
- protección auditiva ANSI S12.6 (S3.19),
- protección respiratoria NIOSH/OSHA/MSHA.



ADVERTENCIA: Algunas partículas de polvo generadas al lijar, serrar, esmerilar y taladrar con herramientas eléctricas, así como al realizar otras actividades de construcción, contienen químicos que el Estado de California sabe que pueden producir cáncer, defectos congénitos u otras afecciones reproductivas. Ejemplos de estos químicos son:

- plomo de algunas pinturas en base a plomo,
- polvo de sílice proveniente de ladrillos y cemento y otros productos de albañilería, y
- arsénico y cromo provenientes de madera tratada químicamente.

ESPAÑOL

Su riesgo de exposición a estos químicos varía, dependiendo de la frecuencia con la cual realiza usted este tipo de trabajo. Para reducir su exposición a estas sustancias químicas: trabaje en una zona bien ventilada y llevando equipos de seguridad aprobados, como mascarillas antipolvo especialmente diseñadas para filtrar partículas microscópicas.

- **Evite el contacto prolongado con polvo generado por el lijado, aserrado, pulido, taladrado y otras actividades de construcción. Vista ropas protectoras y lave las áreas de la piel expuestas con agua y jabón.** Si permite que el polvo se introduzca en la boca u ojos o quede sobre la piel, puede favorecer la absorción de productos químicos peligrosos.
- **No lo use sin la cámara de recolección de polvo y/o el filtro en su sitio.**
- **No use el aparato para recoger líquidos inflamables o combustibles, como gasolina, ni lo use en lugares donde haya líquidos inflamables o combustibles.**
- **No recoja nada que se esté quemando o que esté humeando, como cigarrillos, fósforos o cenizas calientes.**
- **Para evitar una combustión espontánea, vacíe la cámara de recolección de polvo después de cada uso.**
- **No deje el extractor de polvo desatendido cuando la batería esté instalada.** Saque la batería cuando no esté utilizando el aparato y antes de realizar mantenimiento o reparaciones.
- **No coloque ningún objeto en las aberturas.** No utilice este aparato si tiene alguna abertura bloqueada; manténgalo sin polvo, pelusa, pelo o cualquier otra cosa que pueda reducir el flujo de aire.



ADVERTENCIA: El uso de esta herramienta puede generar o dispersar polvo, que puede ocasionar lesiones respiratorias graves y permanentes u otras lesiones. Aunque el material del filtro elimina el 99.97% de partículas en el aire de 0,3 micrones o mayores, el sistema de extracción de polvo quizás no capte todo el polvo creado por la operación de perforación. Utilice siempre protección respiratoria aprobada por NIOSH/OSHA apropiada para la exposición al polvo. Dirija las partículas en dirección contraria a la cara y el cuerpo.



ADVERTENCIA: Siempre lleve la debida protección auditiva personal en conformidad con ANSI S12.6 (S3.19) durante el uso de esta herramienta. Bajo algunas condiciones y duraciones de uso, el ruido producido por este producto puede contribuir a la pérdida auditiva.



ATENCIÓN: Cuando no esté en uso, guarde la herramienta apoyada en un costado sobre una superficie estable, donde no interrumpa el paso o provoque una caída. Algunas herramientas con paquetes de baterías de gran tamaño pueden colocarse paradas sobre el paquete de baterías, pero pueden caerse fácilmente.

- **Los orificios de ventilación suelen cubrir piezas en movimiento, por lo que también se deben evitar.** Las piezas en movimiento pueden atrapar prendas de vestir sueltas, joyas o el cabello largo.

GUARDE ESTAS INSTRUCCIONES PARA VOLVER A CONSULTAR EN EL FUTURO

COMPONENTES (FIG. A)



ADVERTENCIA: Nunca modifique la herramienta eléctrica, ni tampoco ninguna de sus piezas. Podría producir lesiones corporales o daños.

Consulte la Figura A al principio de este manual para obtener una lista completa de los componentes.

Uso Debido

Su sistema de extracción de polvo DWH303DH ha sido diseñado para la extracción de polvo en operaciones profesionales de taladrado de percusión en mampostería o concreto, y con brocas para taladrar sólidas montadas en la herramienta eléctrica. NO lo use para taladrar plástico, madera o metal. NO use con brocas huecas o brocas de núcleo.

Este sistema de extracción de polvo se adapta a los martillos inalámbricos de 20 V Máx. DCH273 y DCH274 SDS Plus de DeWALT.

NO utilice la herramienta en condiciones de humedad o en presencia de líquidos o gases inflamables.

El sistema de extracción de polvo es un aditamento a ser utilizado con herramientas eléctricas profesionales.

NO permita que los niños toquen la herramienta. Si el operador no tiene experiencia operando esta herramienta, su uso deberá ser supervisado.

ESPECIFICACIONES

Prof máx de perforación	100 mm (4")
Long máx de broca	150 mm (6")
Diám máx de perforación	16 mm (5/8")

MONTAJE Y AJUSTES



ADVERTENCIA: Para reducir el riesgo de lesiones personales graves, apague la herramienta y antes de realizar ajustes o de retirar/instalar dispositivos o accesorios. Un arranque accidental podría causar lesiones.

Cómo poner y sacar el sistema de extracción de polvo

Para adosar el sistema de extracción de polvo (Fig. A-C)



ADVERTENCIA: Para reducir el riesgo de lesiones corporales, SIEMPRE opere la herramienta con el mango lateral debidamente instalado y ajustado. El incumplimiento con lo anterior podría resultar en que el mango lateral se suelte durante la operación de la herramienta y que el operador pierda el control como consecuencia. Sostenga la herramienta con ambas manos para maximizar control.

1. Saque la broca, el mango lateral y la barra de ajuste de profundidad, si están fijados al rotomartillo.
2. Fije el mango lateral suministrado **10** al martillo.
3. Asegúrese de que los botones de liberación **2** estén apretados y bloqueados en la posición abierta antes de intentar instalar el sistema de extracción de polvo en el rotomartillo.
4. Inserte el martillo en el extractor, asegurándose de que los conectores eléctricos **13 14** y la ranura **11** y el localizador de apoyo del mango lateral estén **17** alineados. Los botones de liberación de la base quedarán en posición cerrada haciendo clic cuando el martillo esté asentado bien en el extractor.

Fig. B

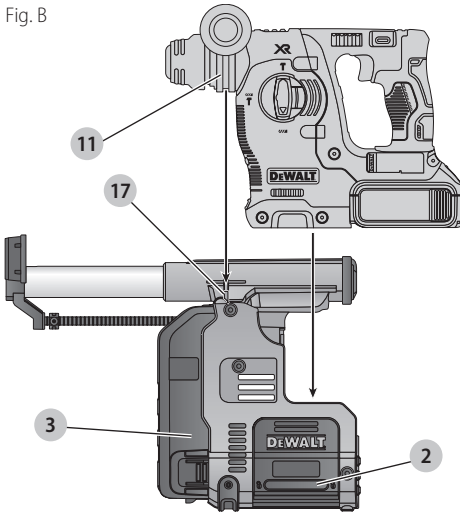
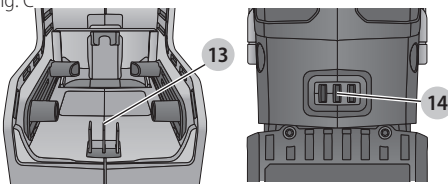


Fig. C



5. Pruebe para ver si el extractor de polvo está instalado adecuadamente en el rotomartillo:
 - a. Instale el extractor de polvo.
 - b. Comience su operación de perforación y deténgase después de 6 mm (1/4").
 - c. Levante la herramienta y revise si la extracción de polvo está funcionando. No deben haber desechos.
 - d. Si el extractor de polvo está funcionando adecuadamente continúe su trabajo.

Cómo retirar el sistema de extracción de polvo (Fig. B)

Para retirar el sistema de extracción de polvo, presione los dos botones de liberación de la base del extractor **2** y levante el rotomartillo del sistema de extracción de polvo. La manija lateral se debe retirar para guardar el extractor de polvo adecuadamente en la caja del juego.

OPERACIÓN

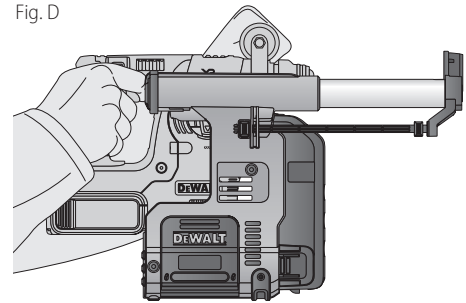
- ADVERTENCIA:** Para reducir el riesgo de lesiones personales graves, apague la herramienta y antes de realizar ajustes o de retirar/instalar dispositivos o accesorios. Un arranque accidental podría causar lesiones.
- ADVERTENCIA:** Para su seguridad, lea el manual de instrucciones antes de utilizar cualquier accesorio. De no seguir estas advertencias podrían producirse lesiones corporales y graves daños a la herramienta y al accesorio. Cuando realice el mantenimiento de esta herramienta, utilice únicamente repuestos idénticos.
- ADVERTENCIA:** No use la herramienta sin el filtro en su sitio.

Posición adecuada de las manos (Fig. D)

- ADVERTENCIA:** Para reducir el riesgo de lesión personal grave, tenga **SIEMPRE** las manos en una posición adecuada como se muestra.
- ADVERTENCIA:** Para reducir el riesgo de lesión personal grave, sujete **SIEMPRE** bien en caso de que haya una reacción repentina.

La posición de manos adecuada requiere una mano en la manija principal del martillo y una mano sobre la manija lateral. La manija lateral debe estar instalada para el uso adecuado.

Fig. D



Interruptor

El sistema de extracción se pone en marcha automáticamente cuando se enciende el rotomartillo.

Mecanismo de limpieza de filtro

El mecanismo de limpieza de filtro es una función que usa el motor en el rotomartillo para forzar el aire a través del filtro HEPA. Consulte **Vaciado de la cámara de recolección de polvo** respecto a instrucciones sobre el uso adecuado.

Retraso electrónico de apagado

Después de apagar el rotomartillo, el sistema de extracción seguirá funcionando durante unos segundos más para aspirar las partículas de polvo que hayan quedado en las piezas internas y recolectar el polvo en la cámara de recolección de polvo.

Fijación de la profundidad del taladrado (Fig. A)

Presione el botón de ajuste de profundidad **6** en la parte superior del deslizador frontal y muévalo hasta la profundidad de taladrado deseada. Suelte el botón.

Ajuste de la longitud del taladrado (Fig. A)

1. Introduzca la broca adecuada. El cabezal del extractor de polvo está diseñado para brocas de hasta 25,4 mm (1") de diámetro.
2. Sostenga el cabezal de extracción de polvo **8** contra la pared.
3. Empuje la herramienta para que la broca toque la superficie.
4. Presione el botón de ajuste de longitud **7** en la parte superior del deslizador trasero y muévalo hasta la longitud deseada. Suelte el botón.
5. Retire con suavidad la unidad de la herramienta de la pared, procurando que el mecanismo de resorte no se libere.

Vaciado de la cámara de recolección de polvo (Fig. A, E, F)

⚠️ ADVERTENCIA: SIEMPRE utilice protección ocular (CAN/CSA Z94.3). Todos los usuarios y personas circundantes deben llevar protección ocular en conformidad con ANSI Z87.1.

⚠️ ADVERTENCIA: SIEMPRE lleve protección respiratoria NIOSH/OSHA/MSHA debida cuando haga esto.

⚠️ ATENCIÓN: No limpiar con agua o aire comprimido.

La caja de recolección de polvo **3** se debe vaciar tan pronto como el desempeño disminuya perceptiblemente o esté llena.

1. Presione los botones de liberación de la cámara de recolección de polvo **4** y sáquela del sistema de extracción de polvo. Una vez que el mecanismo de recolección esté retirado del sistema de extracción de polvo, la junta superior también se liberará permitiendo que la cámara de recolección de polvo se saque por completo.
2. Para vaciar la cámara de recolección de polvo **3** colóquela por encima de un recipiente adecuado donde verter el polvo contenido en la misma. Levante el seguro de liberación de la unidad **16** para abrir la cámara de recolección de polvo, separando el recipiente de la tapa. El darle golpecitos suaves a la cámara de recolección de polvo ayudará a retirar el polvo atrapado dentro del filtro. Una vez que estén vacíos la tapa del filtro y el recipiente, vuelva a fijarlos, asegurándose de que el seguro de liberación de la unidad **16** esté bien fijado. Consulte la Figura E.
3. Para volver a fijar la cámara de recolección de polvo al sistema de extracción de polvo, inserte primero el perfil

redondo de la junta superior en la hendidura del sistema de extracción de polvo. Mueva la cámara de recolección de polvo hacia abajo para que los botones de liberación vuelvan a colocarse en su sitio haciendo clic. Consulte la Figura E.

4. Con la caja de recolección de polvo instalada adecuadamente, presione el mecanismo de limpieza del filtro **12** y apriete el gatillo en la herramienta. Permita que el sistema opere por 5 segundos y libere el gatillo. Esto se debe realizar después de vaciar cada vez la caja de recolección de polvo.

Fig. E

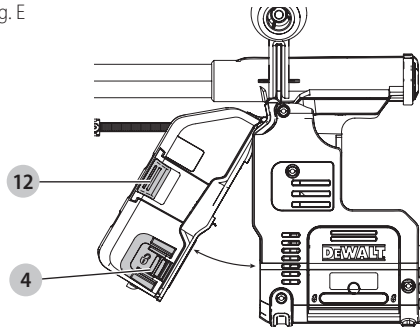
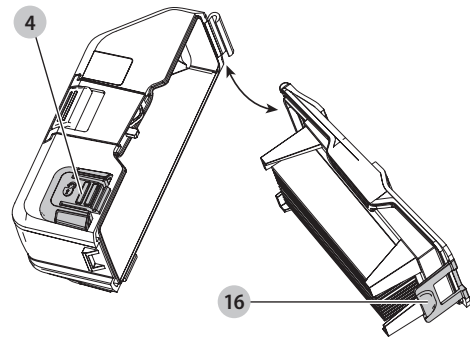


Fig. F



MANTENIMIENTO

⚠️ ADVERTENCIA: Para reducir el riesgo de lesiones personales graves, apague la herramienta y antes de realizar ajustes o de retirar/instalar dispositivos o accesorios. Un arranque accidental podría causar lesiones.

Su colector de polvo ha sido diseñado para operar durante un período largo de tiempo necesitando un mínimo de mantenimiento. Su operación continuamente satisfactoria depende del cuidado apropiado de la herramienta y regularidad de limpieza. Vacíe el extractor de polvo periódicamente o cuando note que su desempeño ha disminuido.

Cambio de la unidad del filtro de la cámara de recolección de polvo (Fig. A, E)

! **ADVERTENCIA:** Cuando lleve a cabo este procedimiento póngase una protección ocular aprobada y una mascarilla antipolvo aprobada.

NOTA: El filtro debe cambiarse cada 350 ciclos de uso.

1. Presione los botones de liberación de la cámara de recolección de polvo **4** y sáquela del sistema de extracción de polvo. Una vez que el mecanismo de recolección esté retirado del sistema de extracción de polvo, la junta superior también se liberará permitiendo que la cámara de recolección de polvo se saque por completo.
2. Deseche la caja de recolección de polvo **3** y reemplácela con una nueva caja de filtro DWH302DH.
3. Vuelva a fijar la cámara de recolección de polvo al sistema de extracción de polvo, insertando primero el perfil redondo de la junta superior en la hendidura del sistema de extracción de polvo. Mueva la cámara de recolección de polvo hacia abajo para que los botones de liberación vuelvan a colocarse en su sitio haciendo clic.

Cambio de la escobilla para polvo (Fig. A, G)

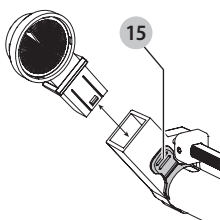
! **ADVERTENCIA:** SIEMPRE utilice protección ocular (CAN/CSA Z94.3). Todos los usuarios y personas circunstantes deben llevar protección ocular en conformidad con ANSI Z87.1.

! **ADVERTENCIA:** La utilización de esta herramienta puede generar polvo o dispersarlo, lo que podría causar daños graves y permanentes al sistema respiratorio, así como otras lesiones. Siempre use protección respiratoria aprobada por NIOSH (Instituto Nacional de Seguridad y Salud en el Trabajo) u OSHA (Administración de Seguridad y Salud en el Trabajo) apropiada para la exposición al polvo.

El cepillo de polvo se desgastará durante el uso y necesitará reemplazarse al mismo tiempo que el filtro.

1. Oprima el botón de ajuste a presión **15** en la parte trasera de la cabeza de extracción **8**, y jálela hacia afuera del soporte de la cabeza.
2. Inserte la nueva cabeza de extracción en el soporte de la cabeza. El pasador de centrado se pegará al extremo abierto de la escobilla para polvo y la asegurará en su sitio.

Fig. G



Limpieza

! **ADVERTENCIA:** Use protección para los ojos aprobada y máscara de polvo aprobada cuando realice este procedimiento.

! **ADVERTENCIA:** Sople la suciedad y el polvo de todos los conductos de ventilación con aire seco, al menos una vez por semana. Para reducir el riesgo de lesiones, utilice siempre protección para los ojos aprobada ANSI Z87.1 al realizar esta tarea.

! **ADVERTENCIA:** Nunca utilice solventes ni otros químicos abrasivos para limpiar las piezas no metálicas de la herramienta. Estos productos químicos pueden debilitar los materiales plásticos utilizados en estas piezas. Utilice un paño humedecido sólo con agua y jabón neutro. Nunca permita que penetre líquido dentro de la herramienta ni sumerja ninguna de las piezas en un líquido.

Durante el uso intensivo, el recolector de polvo se obstruye con el polvo. Consulte la sección **Cambio de la unidad de filtro de la cámara de recolección de polvo**, bajo **MANTENIMIENTO**.

Accesorios

! **ADVERTENCIA:** Debido a que no se han probado con este producto otros accesorios que no sean los que ofrece DeWALT., el uso de dichos accesorios con esta herramienta podría ser peligroso. Para reducir el riesgo de lesiones, con este producto deben usarse sólo los accesorios recomendados por DeWALT.

Los accesorios que se recomiendan para utilizar con la herramienta están disponibles a un costo adicional en su distribuidor local o en un centro de mantenimiento autorizado. Si necesita ayuda para localizar algún accesorio, póngase en contacto con DeWALT Industrial Tool Co., 701 East Joppa Road, Towson, MD 21286, llame al 1-800-4-DeWALT (1-800-433-9258) o visite nuestro sitio web: www.dewalt.com.

Reparaciones

! **ADVERTENCIA:** Para asegurar la SEGURIDAD y la CONFIABILIDAD del producto, las reparaciones, el mantenimiento y los ajustes (inclusive la inspección y el cambio de las escobillas, cuando proceda) deben ser realizados en un centro de mantenimiento en la fábrica DeWALT u en un centro de mantenimiento autorizado DeWALT. Utilice siempre piezas de reemplazo idénticas.

Para reparación y servicio de sus herramientas eléctricas, favor de dirigirse al Centro de Servicio más cercano

CULIACAN, SIN

Bldv. Emiliano Zapata 5400-1 Poniente Col. (667) 717 89 99
San Rafael

GUADALAJARA, JAL

Av. La Paz #1779 - Col. Americana Sector (33) 3825 6978
Juárez

ESPAÑOL

MEXICO, D.F.

Eje Central Lázaro Cárdenas No. 18 - Local D, Col. Obrera (55) 5588 9377

MERIDA, YUC

Calle 63 #459-A - Col. Centro (999) 928 5038

MONTERREY, N.L.

Av. Francisco I. Madero 831 Poniente - Col. Centro (818) 375 23 13

PUEBLA, PUE

17 Norte #205 - Col. Centro (222) 246 3714

QUERETARO, QRO

Av. San Roque 274 - Col. San Gregorio (442) 2 17 63 14

SAN LUIS POTOSI, SLP

Av. Universidad 1525 - Col. San Luis (444) 814 2383

TORREON, COAH

Blvd. Independencia, 96 Pte. - Col. Centro (871) 716 5265

VERACRUZ, VER

Prolongación Díaz Mirón #4280 - Col. Remes (229) 921 7016

VILLAHERMOSA, TAB

Constitución 516-A - Col. Centro (993) 312 5111

PARA OTRAS LOCALIDADES:

Si se encuentra en México, por favor llame al (55) 5326 7100

Si se encuentra en U.S., por favor llame al 1-800-433-9258 (1-800 4-DeWALT)

Póliza de Garantía

IDENTIFICACIÓN DEL PRODUCTO:

Sello o firma del Distribuidor.

Nombre del producto: _____

Mod./Cat.: _____

Marca: _____

Núm. de serie: _____

(Datos para ser llenados por el distribuidor)

Fecha de compra y/o entrega del producto: _____

Nombre y domicilio del distribuidor donde se adquirió el producto: _____

Este producto está garantizado por un año a partir de la fecha de entrega, contra cualquier defecto en su funcionamiento, así como en materiales y mano de obra empleados para su fabricación. Nuestra garantía incluye la reparación o reposición del producto y/o componentes sin cargo alguno para el cliente, incluyendo mano de obra, así como los gastos de transportación razonablemente erogados derivados del cumplimiento de este certificado.

Para hacer efectiva esta garantía deberá presentar su herramienta y esta póliza sellada por el establecimiento comercial donde se adquirió el producto, de no contar con ésta, bastará la factura de compra.

Excepciones

Esta garantía no será válida en los siguientes casos:

- Cuando el producto se hubiese utilizado en condiciones distintas a las normales;
- Cuando el producto no hubiese sido operado de acuerdo con el instructivo de uso que se acompaña;
- Cuando el producto hubiese sido alterado o reparado por personas distintas a las enlistadas al final de este certificado.

Anexo encontrará una relación de sucursales de servicio de fábrica, centros de servicio autorizados y franquiciados en la República Mexicana, donde podrá hacer efectiva su garantía y adquirir partes, refacciones y accesorios originales.

Registro en línea

Gracias por su compra. Registre su producto ahora para:

- **SERVICIO EN GARANTÍA:** Si completa esta tarjeta, podrá obtener un servicio en garantía más eficiente, en caso de que exista un problema con su producto.
- **CONFIRMACIÓN DE PROPIEDAD:** En caso de una pérdida que cubra el seguro, como un incendio, una inundación o un robo, el registro de propiedad servirá como comprobante de compra.
- **PARA SU SEGURIDAD:** Si registra el producto, podremos comunicarnos con usted en el caso improbable que se deba enviar una notificación de seguridad conforme a la Federal Consumer Safety Act (Ley Federal de Seguridad de Productos para el Consumidor).

Registro en línea en www.dewalt.com/register.

Garantía limitada por tres años

DeWALT reparará, sin cargo, cualquier falla que surja de defectos en el material o la fabricación del producto, por hasta tres años a contar de la fecha de compra. Esta garantía no cubre fallas de las piezas causadas por su desgaste normal o abuso a la herramienta. Para mayores detalles sobre la cobertura de la garantía e información acerca de reparaciones realizadas bajo garantía, visítenos en www.dewalt.com o diríjase al centro de servicio más cercano. Esta garantía no aplica a accesorios o a daños causados por reparaciones realizadas o intentadas por terceros. ESTA GARANTÍA LIMITADA SE OTORGA EN VEZ DE TODAS LAS DEMÁS, INCLUIDA LA GARANTÍA IMPLÍCITA DE COMERCIABILIDAD Y APTITUD PARA UN FIN PARTICULAR, Y EXCLUYE TODOS LOS DAÑOS INCIDENTALES O CONSECUENTES. Algunos estados no permiten limitaciones sobre la duración de una garantía implícita, o la exclusión o limitación de daños incidentales o consecuentes, así que estas limitaciones pueden no aplicarse a usted. Esta garantía le otorga derechos legales específicos, además de los cuales usted puede tener otros derechos dependiendo del estado o la provincia en que se encuentre.

Además de la garantía, las herramientas DeWALT están cubiertas por:

1 AÑO DE SERVICIO GRATUITO

DeWALT mantendrá la herramienta y reemplazará las piezas gastadas por su uso normal, sin cobro, en cualquier momento durante un año a contar de la fecha de compra.

GARANTÍA DE REEMBOLSO DE SU DINERO POR 90 DÍAS

Si no está completamente satisfecho con el desempeño de su máquina herramienta, láser o clavadora DeWALT, cualquiera sea el motivo, podrá devolverlo hasta 90 días de la fecha de compra con su recibo y obtener el reembolso completo de su dinero – sin necesidad de responder a ninguna pregunta.

AMÉRICA LATINA: Esta garantía no se aplica a los productos que se venden en América Latina. Para los productos que se venden en América Latina, debe consultar la información de la garantía específica del país que viene en el empaque, llamar a la compañía local o visitar el sitio Web a fin de obtener esa información.

REEMPLAZO GRATUITO DE LAS ETIQUETAS DE

ADVERTENCIAS: Si sus etiquetas de advertencia se vuelven ilegibles o faltan, llame al 1-800-433-9258 (1-800-4-DeWALT) para que se le reemplacen gratuitamente.

Solamente para propósito de México:

Importado por: DeWALT Industrial Tool Co. S.A. de C.V.

Avenida Antonio Dovali Jaime, # 70 Torre B Piso 9

Colonia La Fe, Santa Fé

Código Postal : 01210

Delegación Alvaro Obregón

México D.F.

Tel. (52) 555-326-7100

R.F.C.: BDE810626-1W7

DeWALT Industrial Tool Co., 701 East Joppa Road, Towson, MD 21286
(JUN17) Part No. N540724 DWH303DH Copyright © 2015, 2017 DeWALT

The following are trademarks for one or more DeWALT power tools: the yellow and black color scheme, the "D" shaped air intake grill, the array of pyramids on the handgrip, the kit box configuration, and the array of lozenge-shaped humps on the surface of the tool.