

*If you have questions or comments, contact us.
Pour toute question ou tout commentaire, nous contacter.
Si tiene dudas o comentarios, contáctenos.*

1-800-4-DEWALT • www.dewalt.com

**INSTRUCTION MANUAL
GUIDE D'UTILISATION
MANUAL DE INSTRUCCIONES**

INSTRUCTIVO DE OPERACIÓN, CENTROS DE SERVICIO Y PÓLIZA DE GARANTÍA. **ADVERTENCIA:** LÉASE ESTE INSTRUCTIVO ANTES DE USAR EL PRODUCTO.

DEWALT®

DWE46170

7" (178 mm) Concrete Surface Grinding Shroud with Hinged Door

178 mm (7 po) Carter d'aspiration pour meuleuses de finition du béton avec capot à charnière

178 mm (7") Cubierta protectora para esmerilado de superficies de concreto



Definitions: Safety Guidelines

The definitions below describe the level of severity for each signal word. Please read the manual and pay attention to these symbols.

⚠DANGER: Indicates an imminently hazardous situation which, if not avoided, **will** result in **death or serious injury**.

⚠WARNING: Indicates a potentially hazardous situation which, if not avoided, **could** result in **death or serious injury**.

⚠CAUTION: Indicates a potentially hazardous situation which, if not avoided, **may** result in **minor or moderate injury**.

NOTICE: Indicates a practice **not related to personal injury** which, if not avoided, **may** result in **property damage**.

IF YOU HAVE ANY QUESTIONS OR COMMENTS ABOUT THIS OR ANY DEWALT TOOL, CALL US TOLL FREE AT: **1-800-4-DEWALT (1-800-433-9258)**.



WARNING: To reduce the risk of injury, read the instruction manual.

SAVE ALL WARNINGS AND INSTRUCTIONS FOR FUTURE REFERENCE

General Safety Warnings

⚠ WARNING: For your own safety, read the instruction manual for both the grinder tool and the dust extractor vacuum before using any accessory. Failure to heed these warnings may result in personal injury and serious damage to the tool and the accessory. When servicing this tool, use only identical replacement parts.

1) WORK AREA SAFETY

- a) **Keep work area clean and well lit.** Cluttered or dark areas invite accidents.
- b) **Keep children and bystanders away while operating a power tool.** Distractions can cause you to lose control.
- c) **Ensure the workplace is well ventilated.** Exposure to dust at a poorly ventilated workplace may result in damage to the health.

2) ELECTRICAL SAFETY

- a) **Avoid body contact with earthed or grounded surfaces such as pipes, radiators, ranges and refrigerators.** There is an increased risk of electric shock if your body is earthed or grounded.

3) PERSONAL SAFETY

- a) **Stay alert, watch what you are doing and use common sense when operating a power tool. Do not use a power tool while you are tired or under the influence of drugs, alcohol or medication.** A moment of inattention while operating power tools may result in serious personal injury.
- b) **Use personal protective equipment. Always wear eye protection.** Protective equipment such as dust mask, non-skid safety shoes, hard hat, or hearing protection used for appropriate conditions will reduce personal injuries.
- c) **Do not overreach. Keep proper footing and balance at all times.** This enables better control of the power tool in unexpected situations.
- d) **Dress properly. Do not wear loose clothing or jewelry. Keep your hair, clothing and gloves away from moving parts.** Loose clothes, jewelry or long hair can be caught in moving parts.

4) POWER TOOL USE AND CARE

- a) **Do not force the power tool. Use the correct power tool for your application.** The correct power tool will do the job better and safer at the rate for which it was designed.

⚠WARNING: The use of any accessory or attachment or performance of any operation with this tool, other than those recommended in this instruction manual may present a risk of personal injury.

- b) **Store idle power tools out of the reach of children and do not allow persons unfamiliar with the power tool or these instructions to operate the power tool.** Power tools are dangerous in the hands of untrained users.
- c) **Use the power tool, accessories and tool bits etc., in accordance with these instructions taking into account the working conditions and the work to be performed.** Use of the power tool for operations different from those intended could result in a hazardous situation.

5) SERVICE

- a) **Have your power tool serviced by a qualified repair person using only identical replacement parts.** This will ensure that the safety of the power tool is maintained.

Surface Grinding Shroud Safety Rules

- **The shroud must be securely attached to the power tool and positioned for maximum safety, so the least amount of wheel is exposed towards the operator.** The shroud is designed to collect dust and help protect the operator from accidental contact with the wheel.
- **Do not use accessories which are not specifically designed and recommended by the tool manufacturer.** Just because the accessory can be attached to your power tool, it does not assure safe operation.
- **Only use dry diamond surface cup wheels with this surface grinding shroud.** The surface grinding shroud is not intended to be used with standard grinding, cut-off, cup wheels or wire brushes.
- **The rated speed of the accessory must be at least equal to the maximum speed marked on the power tool.** Accessories running faster than their rated speed can break and fly apart.
- **Hold power tool by insulated gripping surfaces only, when performing an operation where the cutting accessory may contact hidden wiring or its own cord.** Cutting accessory contacting a "live" wire may make exposed metal parts of the power tool "live" and could give the operator an electrical shock.
- **Always use side handle. Tighten the handle securely.** The side handle should always be used to maintain control of the tool at all times.
- **Do not use a damaged accessory. Before each use inspect the accessory such as diamond wheel for chips and cracks, backing pad for cracks and tear or excess wear. If power tool or accessory is dropped, inspect for damage or install an undamaged accessory. After inspecting and installing an accessory, position yourself and bystanders away from the plane of the rotating accessory and run the power tool at maximum no-load speed for one minute.** Damaged accessories will normally break apart during this test time.
- **When starting the tool with a new or replacement wheel, hold the tool in a well protected area and let it run for one minute.** If the wheel has an undetected crack or flaw, it should burst in less than one minute. Never start the tool with a person in line with the wheel. This includes the operator.
- **Wear personal protective equipment. Depending on application, use face shield, safety goggles or safety glasses. As appropriate, wear dust mask, hearing protectors, gloves**

and workshop apron capable of stopping small abrasive or workpiece fragments. The eye protection must be capable of stopping flying debris generated by various operations. The dust mask or respirator must be capable of filtering particles generated by your operation. Prolonged exposure to high intensity noise may cause hearing loss.

- **Position the cord clear of the spinning accessory.** If you lose control, the cord may be cut or snagged and your hand or arm may be pulled into the spinning accessory.
- **Never lay the power tool down until the accessory has come to a complete stop.** The spinning accessory may grab the surface and pull the power tool out of your control.
- **Do not run the power tool while carrying it at your side.** Accidental contact with the spinning accessory could snag your clothing, pulling the accessory into your body.
- **Regularly clean the power tool's air vents.** The motor's fan will draw the dust inside the housing and excessive accumulation of powdered metal may cause electrical hazards.
- **Do not operate the power tool near flammable materials.** Sparks could ignite these materials.
- **Do not use accessories that require liquid coolants.** Using water or other liquid coolants may result in electrocution or shock.
- **DO NOT use wire brushes with this surface grinding shroud.**
- **DO NOT use abrasive wheels.**
- **DO NOT grind or cut metal with a diamond cup wheel.** Fragments could loosen and fly apart.
- **ALWAYS use with a dust collector.**

⚠ WARNING: When not in use, place grinder on a stable surface where it will not move inadvertently, roll or cause a tripping or falling hazard. Serious personal injury may result.

⚠ WARNING: ALWAYS use safety glasses. Everyday eyeglasses are NOT safety glasses. Also use face or dust mask if cutting operation is dusty. ALWAYS wear certified safety equipment:

- ANSI Z87.1 eye protection (CAN/CSA Z94.3).
- ANSI S12.6 (S3.19) hearing protection.
- NIOSH/OSHA respiratory protection.

⚠ WARNING: Some dust created by power sanding, sawing, grinding, drilling, and other construction activities contains chemicals known to the State of California to cause cancer, birth defects or other reproductive harm. Some examples of these chemicals are:

- lead from lead-based paints,
- crystalline silica from bricks and cement and other masonry products, and
- arsenic and chromium from chemically-treated lumber.

Your risk from these exposures varies, depending on how often you do this type of work. To reduce your exposure to these chemicals: work in a well ventilated area, and work with approved safety equipment, such as those dust masks that are specially designed to filter out microscopic particles.

- **Avoid prolonged contact with dust from power sanding, sawing, grinding, drilling, and other construction activities. Wear protective clothing and wash exposed areas with soap and water.** Allowing dust to get into your mouth, eyes, or lay on the skin may promote absorption of harmful chemicals.

⚠ WARNING: Use of this tool can generate and/or disburse dust, which may cause serious and permanent respiratory or other injury. Always use NIOSH/OSHA approved respiratory protection appropriate for the dust exposure. Direct particles away from face and body.

⚠ WARNING: Before beginning the work, check to determine the hazard classification of the dust produced. Use an industrial dust extractor vacuum of the appropriate, officially approved safety class that is in compliance with your local dust hazard control regulations.

⚠WARNING: Always wear proper personal hearing protection.
Under some conditions and duration of use, noise from this product may contribute to hearing loss.

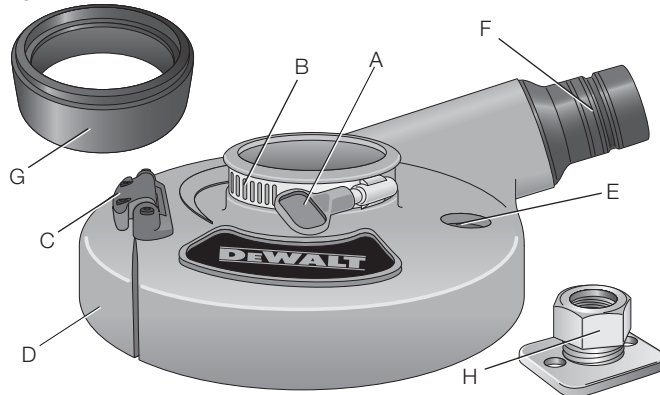
SAVE ALL WARNINGS AND INSTRUCTIONS FOR FUTURE REFERENCE

COMPONENTS (FIG. 1)

⚠WARNING: Never modify the power tool or any part of it. Damage or personal injury could result.

- | | |
|-----------------------------|--|
| A. Hose clamp screw | F. Dust port for universal connector |
| B. Hose clamp | G. Gear case adaptor |
| C. Edge grinding door hinge | H. Adaptor for non-hubbed diamond wheels |
| D. Edge grinding door | |
| E. Intake vent | |

FIG. 1



INTENDED USE

Your concrete surface grinding shroud has been designed for dust removal of the following: grinding, leveling and polishing concrete surfaces. It can remove dust when removing surface paint, epoxy and glue. Using the appropriate grinder, diamond grinding wheel and dust extractor vacuum it can be used to remove the vast majority of static and airborne dust which without the use of the surface grinding shroud could otherwise contaminate the working environment or pose an increased health risk to the operator and those in close proximity. This concrete surface grinder should ALWAYS be used with a dust extractor vacuum designed for concrete dust removal.

DO NOT use under wet conditions or in presence of flammable liquids or gases.

The surface grinding shroud is a professional tool. **DO NOT** let children come into contact with the tool. Supervision is required when inexperienced operators use this tool.

Recommended power tools to be used with this attachment are available at extra cost from your local dealer or authorized service center. If you need assistance in locating any power tool, please contact DEWALT Industrial Tool Co., 701 East Joppa Road, Baltimore, MD 21286, call 1-800-4-DEWALT (1-800-433-9258) or visit our website www.dewalt.com.

ASSEMBLY (FIG. 1, 2)

⚠WARNING: To reduce the risk of injury, ALWAYS turn off the tool and disconnect the tool from the power source before making any adjustments or removing or installing attachments or accessories. This applies to both the grinder and the dust extractor vacuum. Such preventative safety measures reduce the risk of starting the tool accidentally.

Mounting and Removing Surface Grinding Shroud (Fig. 2A–D)

NOTE: The shroud and adaptor (G) have a tight fit onto the grinder. Take extra care when mounting the shroud.

1. Follow the mounting and removing guard instructions in the power tool manual to remove the existing guard from grinder.
2. If present, remove the stop screw (I) from your DEWALT Grinder with a T40 star wrench. If a star wrench is unavailable, use a flat head screwdriver or a pair locking pliers to remove the screw.
3. With the beveled edge facing upward from the shroud collar, insert the gear case adaptor (G) partially into the collar as seen in figure 2B.
4. Aligning the adaptor and shroud with the gear casing, push the both down onto the gear case with your thumbs. You can also use a large flathead screwdriver to be sure the adaptor is seated correctly. Both the shroud and the adaptor should slide down onto the gear case at the same time.

FIG. 2A

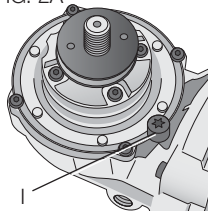


FIG. 2B

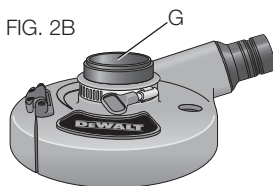
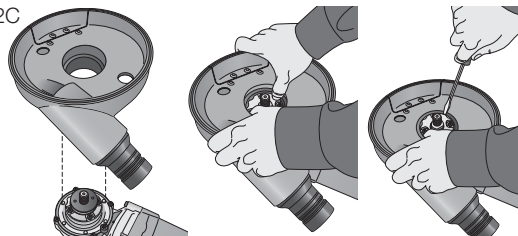


FIG. 2C



5. Position shroud to desired orientation, and tighten hose clamp screw (A) securely.
6. To remove the shroud, repeat these steps in reverse.

NOTICE: If surface grinding shroud cannot be tightened by the hose clamp screw, do not use the tool and take the tool and surface grinding shroud to a service center to repair or replace the surface grinding shroud.

Mounting Dry Diamond Surface Cup Wheels (Fig. 3)

Follow the mounting and using cutting wheels instructions in the tool manual and mount the grinding wheel. DO NOT use Type 1 cutting wheels or bonded abrasive wheels.

Dry diamond surface cup (J) wheels are recommended for use with this shroud. The inner soft mount washer (K) should be installed behind the wheel, allowing free tool removal and proper fit and alignment to shroud.

Hose Connection (Fig. 4–6)

⚠ WARNING: Use only power tools recommended by DEWALT with this attachment.

For more information about DEWALT power tools compatible with this attachment, please contact your local dealer, call 1-800-4-DEWALT (1-800-433-9258) or visit our website www.dewalt.com.

FIG. 2D

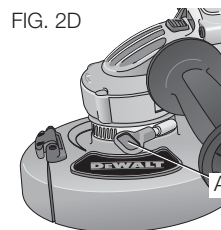
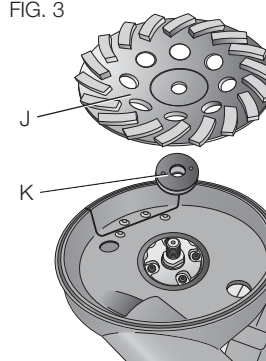


FIG. 3



⚠ WARNING: This attachment **MUST BE** used with a dust extractor system. **ALWAYS** wear certified safety face or dust mask.

NOTE: Ensure hose connection is secure.

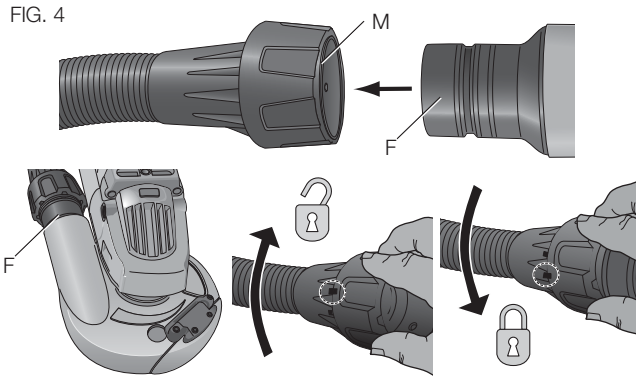
NOTE: The amount of dust retained by the dust extractor vacuum is dependent on its filter system. Refer to the dust extractor vacuum instruction manual for more information.

All DEWALT dust collection shrouds are designed to connect and secure easily with the DEWALT universal DWV9000 connector. The DWV9000 connector comes pre-installed on some DEWALT dust extractors. Consult your local dealer for compatible extractors.

CONNECTING THE DWV9000 ONTO THE SHROUD (FIG. 4)

NOTE: If the DWV9000 is not installed on your dust extractor hose refer to **Installing the DWV9000 on a Dust Extraction Hose**.

1. With the DWV9000 connector (M) unlocked, slide it onto the shroud's dust port (F).
2. Lock the DWV9000 connector (M) to secure.

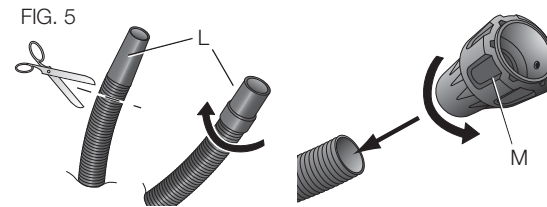


INSTALLING THE DWV9000 ON A DUST EXTRACTION HOSE (FIG. 5, 6)

The DWV9000 is can be attached to a 1-1/4" or 2-1/2" (31.8 mm or 63.5 mm) dust extraction hose. The DWV9000 can be used with a 2-1/2" (31.8 mm) hose with the use of the DWV9190 adaptor.

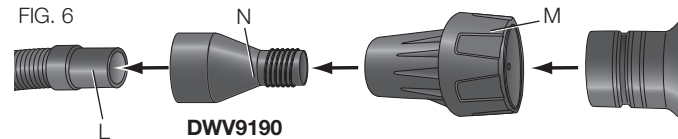
For 1-1/4" (31.8 mm) hoses:

1. Remove the existing hose connector (L) by twisting clockwise, or if connector is permanently attached, remove by cutting.
2. Install the universal DWV9000 connector (M) onto the hose by turning counterclockwise.



For 2-1/2" (63.5 mm) hoses:

1. Use a DWV9190 adaptor (N), and slide it onto the existing hose connector (L).
2. Install the universal DWV9000 connector (M) onto the adaptor by turning counterclockwise.



OPERATION

⚠WARNING: To reduce the risk of injury, ALWAYS turn off tool and disconnect the tool from the power source before making any adjustments or removing or installing attachments or accessories. This applies to both the grinder and the dust extractor vacuum. Such preventative safety measures reduce the risk of starting the tool accidentally.

⚠WARNING: For your own safety, read the instruction manual for both the grinding tool and the dust extractor vacuum before using any accessory. Failure to heed these warnings may result in personal injury and serious damage to the tool and the accessory. When servicing this tool, use only identical replacement parts.

NOTE: The amount of dust retained by the dust extractor vacuum is dependent on its filter system. Refer to the dust extractor vacuum instruction manual for more information.

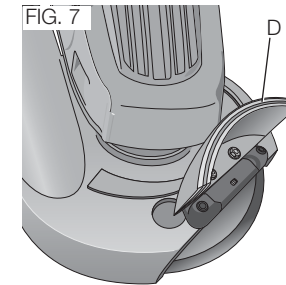
1. Ensure all assembly instructions have been completed.
2. Turn the dust extractor vacuum on as instructed in the dust extractor vacuum instruction manual.
3. Turn the tool on as instructed in the tool instruction manual and allow it to reach full speed before making contact with work surface.
4. Place the surface grinding shroud to flat work surface, such as a floor or wall, and begin grinding.
5. When surface grinding is complete, turn the tool off and disconnect from the power source. Allow the tool to stop rotating before laying it down.

NOTE: The surface grinding shroud and dust extractor vacuum will only be effective when used with a diamond surface cup wheel on a flat surface.

Edging Use Application (Fig. 7)

This concrete grinding shroud features a hinged, edge-grinding door to allow flush grinding against the wall.

1. Turn off the tool and disconnect from power source.
2. Open the edge grinding door (D). The door should remain open and rest in a parked position.
3. Connect the tool to the power source.
4. Position hands and body away from wheel and door opening.
5. Place the door edge flush to the work surface before turning the tool on and begin grinding. Remove the tool from the work surface before turning the tool off.
6. When flush grinding is complete, turn off the tool and disconnect from power source.
7. Allow the tool to stop rotating before pushing edge grinding door (D) closed.



MAINTENANCE

⚠WARNING: To reduce the risk of injury, ALWAYS turn off tool and disconnect the tool from the power source before making any adjustments or removing or installing attachments or accessories. This applies to both the grinder and the dust extractor vacuum. Such preventative safety measures reduce the risk of starting the tool accidentally.

Cleaning

⚠ WARNING: Blow dirt and dust out of all air vents with clean, dry air at least once a week. To minimize the risk of eye injury, always wear ANSI Z87.1 approved eye protection when performing this.

⚠ WARNING: Never use solvents or other harsh chemicals for cleaning the non-metallic parts of the tool. These chemicals may weaken the plastic materials used in these parts. Use a cloth dampened only with water and mild soap. Never let any liquid get inside the tool; never immerse any part of the tool into a liquid.

Accessories

⚠ WARNING: Since accessories, other than those offered by DEWALT, have not been tested with this product, use of such accessories with this tool could be hazardous. To reduce the risk of injury, only DEWALT recommended accessories should be used with this product.

Recommended accessories for use with your tool are available at extra cost from your local dealer or authorized service center. If you need assistance in locating any accessory, please contact DEWALT Industrial Tool Co., 701 East Joppa Road, Baltimore, MD 21286, call 1-800-4-DEWALT (1-800-433-9258) or visit our website: www.dewalt.com.

Repairs

To assure product SAFETY and RELIABILITY, repairs, maintenance and adjustment (including brush inspection and replacement) should be performed by a DEWALT factory service center, a DEWALT authorized service center or other qualified service personnel. Always use identical replacement parts.

Register Online

Thank you for your purchase. Register your product now for:

- **WARRANTY SERVICE:** Registering your product will help you obtain more efficient warranty service in case there is a problem with your product.
- **CONFIRMATION OF OWNERSHIP:** In case of an insurance loss, such as fire, flood or theft, your registration of ownership will serve as your proof of purchase.
- **FOR YOUR SAFETY:** Registering your product will allow us to contact you in the unlikely event a safety notification is required under the Federal Consumer Safety Act.

Register online at www.dewalt.com/register.

Three Year Limited Warranty

DEWALT will repair, without charge, any defects due to faulty materials or workmanship for three years from the date of purchase. This warranty does not cover part failure due to normal wear or tool abuse. For further detail of warranty coverage and warranty repair information, visit www.dewalt.com or call 1-800-4-DEWALT (1-800-433-9258). This warranty does not apply to accessories or damage caused where repairs have been made or attempted by others. This warranty gives you specific legal rights and you may have other rights which vary in certain states or provinces.

In addition to the warranty, DEWALT tools are covered by our:

1 YEAR FREE SERVICE

DEWALT will maintain the tool and replace worn parts caused by normal use, for free, any time during the first year after purchase.

Définitions : lignes directrices en matière de sécurité

Les définitions ci-dessous décrivent le niveau de danger pour chaque mot-indicateur employé. Lire le mode d'emploi et porter une attention particulière à ces symboles.

⚠ DANGER : indique une situation dangereuse imminente qui, si elle n'est pas évitée, **entraînera la mort ou des blessures graves**.

⚠ AVERTISSEMENT : indique une situation potentiellement dangereuse qui, si elle n'est pas évitée, **pourrait entraîner la mort ou des blessures graves**.

⚠ ATTENTION : indique une situation potentiellement dangereuse qui, si elle n'est pas évitée, **pourrait entraîner des blessures légères ou modérées**.

AVIS : indique une pratique ne posant **aucun risque de dommages corporels** mais qui par contre, si rien n'est fait pour l'éviter, **pourrait poser des risques de dommages matériels**.

POUR TOUTE QUESTION OU REMARQUE AU SUJET DE CET OUTIL OU DE TOUT AUTRE OUTIL DEWALT, COMPOSEZ LE NUMÉRO SANS FRAIS : **1-800-4-DEWALT (1-800-433-9258)**.



AVERTISSEMENT : afin de réduire le risque de blessures, lire le mode d'emploi de l'outil.

CONSERVER TOUS LES AVERTISSEMENTS ET TOUTES LES DIRECTIVES POUR UN USAGE ULTÉRIEUR

Consignes générales de sécurité

⚠ AVERTISSEMENT : pour votre sécurité, lire le manuel de l'utilisateur de la meuleuse, mais aussi de l'aspirateur avant l'utilisation de tout accessoire. Tout manquement à ces avertissements augmente les risques de blessures, et les risques d'endommager sérieusement l'appareil et ses accessoires. Lors de la maintenance de cet outil, n'utiliser que des pièces de rechange identiques.

1) SÉCURITÉ DU LIEU DE TRAVAIL

- Tenir l'aire de travail propre et bien éclairée.** Les lieux encombrés ou sombres sont propices aux accidents.
- Éloigner les enfants et les personnes à proximité pendant l'utilisation d'un outil électrique.** Une distraction pourrait en faire perdre la maîtrise à l'utilisateur.
- S'assurer que les lieux de travail sont bien aérés.** Toute exposition à la poussière sur des lieux de travail mal aérés pose des risques à la santé.

2) SÉCURITÉ EN MATIÈRE D'ÉLECTRICITÉ

- Éviter tout contact physique avec des surfaces mises à la terre comme des tuyaux, des radiateurs, des cuisinières et des réfrigérateurs.** Le risque de choc électrique est plus élevé si votre corps est mis à la terre.

3) SÉCURITÉ PERSONNELLE

- Être vigilant, surveiller le travail effectué et faire preuve de jugement lorsqu'un outil électrique est utilisé. Ne pas utiliser d'outil électrique en cas de fatigue ou sous l'influence de drogues, d'alcool ou de médicaments.** Un simple moment d'inattention en utilisant un outil électrique peut entraîner des blessures corporelles graves.

- b) **Utiliser des équipements de protection individuelle. Toujours porter une protection oculaire.** L'utilisation d'équipements de protection comme un masque antipoussière, des chaussures antidérapantes, un casque de sécurité ou des protecteurs auditifs lorsque la situation le requiert réduira les risques de blessures corporelles.
- c) **Ne pas trop tendre les bras. Conserver son équilibre en tout temps.** Cela permet de mieux maîtriser l'outil électrique dans les situations imprévues.
- d) **S'habiller de manière appropriée. Ne pas porter de vêtements amples ni de bijoux. Garder les cheveux, les vêtements et les gants à l'écart des pièces mobiles.** Les vêtements amples, les bijoux ou les cheveux longs risquent de rester coincés dans les pièces mobiles.

4) UTILISATION ET ENTRETIEN D'UN OUTIL ÉLECTRIQUE

- a) **Ne pas forcer un outil électrique. Utiliser l'outil électrique approprié à l'application.** L'outil électrique approprié effectuera un meilleur travail, de façon plus sûre et à la vitesse pour laquelle il a été conçu.
⚠AVERTISSEMENT : L'utilisation de tout accessoire ou pièce, ou l'exécution de toute opération avec cet outil, autre que celle recommandée dans ce manuel de l'utilisateur pose des risques de dommages corporels.
- b) **Ranger les outils électriques hors de la portée des enfants et ne permettre à aucune personne n'étant pas familière avec un outil électrique ou son mode d'emploi d'utiliser cet outil.** Les outils électriques deviennent dangereux entre les mains d'utilisateurs inexpérimentés.
- c) **Utiliser l'outil électrique, les accessoires, les forets, etc. conformément aux présentes directives en tenant compte des conditions de travail et du travail à effectuer.** L'utilisation d'un outil électrique pour toute opération autre que celle pour laquelle il a été conçu est dangereuse.

5) RÉPARATION

- a) **Faire réparer l'outil électrique par un réparateur professionnel en n'utilisant que des pièces de rechange identiques.** Cela permettra de maintenir une utilisation sécuritaire de l'outil électrique.

Règles de sécurité propres aux carters d'aspiration pour meuleuses de finition

- **Le carter d'aspiration doit être soigneusement fixé à l'outil électrique et installé de façon à optimiser la sécurité, pour que l'utilisateur soit le moins possible exposé à la meule.** Le carter d'aspiration a été conçu pour collecter les poussières et protéger l'utilisateur de tout contact accidentel avec la meule.
- **Ne pas utiliser des accessoires qui n'ont pas été spécialement conçus pour cet outil ou recommandés par son fabricant.** Le fait qu'un accessoire peut être connecté à l'outil ne veut pas automatiquement dire que son utilisation ne posera aucun risque.
- **Utiliser exclusivement des meules boisseau diamant de surfaçage à sec avec ce carter d'aspiration pour meuleuses de finition.** Le carter d'aspiration pour meuleuses de finition n'a pas été conçu pour être utilisé avec des meules boisseau ou brosses métalliques à meulage ou tronçonnage standard.
- **La vitesse nominale des accessoires utilisés doit être équivalente ou supérieure à la vitesse maximale apposée sur l'outil.** Les accessoires utilisés à une vitesse plus rapide que leur vitesse nominale peuvent éclater ou se détacher de l'outil.
- **Tenir l'outil électrique par les surfaces isolées prévues à cet effet pendant toute utilisation où l'organe de coupe pourrait entrer en contact avec des fils électriques cachés ou son propre cordon.** Tout contact entre un fil « sous tension » et l'accessoire de coupe pourrait également mettre « sous tension » les pièces métalliques exposées de l'outil et électrocuter l'opérateur.

- **Utiliser systématiquement la poignée latérale. Fixer la poignée solidement.** La poignée latérale doit être systématiquement utilisée pour maîtriser l'outil en permanence.
 - **Ne pas utiliser d'accessoire endommagé. Avant toute utilisation, vérifier que les accessoires, comme les meules diamants et les tampons de soutien, ne comportent aucune fissure ou cassure, ou ne sont affectés d'aucune usure excessive. En cas de chute, vérifier que l'outil électrique ou l'accessoire n'a pas été endommagé, et remplacer toute pièce abîmée. Après avoir inspecté et installé un accessoire, se positionner, soi-même et tout individu présent, hors du plan de rotation de l'accessoire et laisser tourner l'outil une minute à sa vitesse à vide maximale.** En général, les accessoires endommagés se brisent pendant le temps d'essai.
 - **Au démarrage de l'outil (avec une meule neuve, ou après l'avoir changée), maintenir l'outil dans un espace sécuritaire et le laisser tourner une minute.** Si le disque était affecté d'une fêlure ou d'un défaut caché, il pourrait éclater en moins d'une minute. Ne jamais démarrer l'outil lorsque quelqu'un se tient directement devant le disque, y compris l'utilisateur.
 - **Porter un équipement individuel de protection. Utiliser une protection faciale et des lunettes ou un masque de protection. Si approprié, porter un masque anti-poussières, une protection auditive, des gants et un tablier d'atelier capables de vous protéger contre toute projection abrasive ou tout fragment.** La protection oculaire doit pouvoir arrêter toute projection de débris engendrés par des opérations diverses. Le masque anti-poussières, ou l'appareil de protection des voies respiratoires, doit pouvoir filtrer les particules engendrées par l'opération en cours. Toute exposition prolongée à un haut niveau de décibels peut occasionner une perte de l'acuité auditive.
 - **Positionner le cordon hors du chemin de l'accessoire en rotation.** En cas de perte de contrôle de l'outil, le cordon pourrait être coupé ou arraché, et les mains ou bras pourraient entrer en contact avec l'accessoire en rotation.
 - **Attendre systématiquement l'arrêt complet de l'accessoire avant de poser l'outil électrique.** L'accessoire en rotation pourrait s'accrocher à une surface et vous faire perdre le contrôle de l'outil électrique.
 - **Ne pas laisser l'outil électrique tourner alors que vous le transportez à votre côté.** Tout contact accidentel de l'accessoire en rotation pourrait faire que ce dernier s'accroche aux vêtements et entre en contact avec le corps.
 - **Nettoyer régulièrement les orifices d'aération de l'outil.** Le ventilateur du moteur attirera de la poussière à l'intérieur du boîtier et l'accumulation excessive de poussières métalliques pose des risques d'électrocution.
 - **Ne pas utiliser cet outil électrique à proximité de matériaux inflammables,** car des étincelles pourraient les enflammer.
 - **Ne pas utiliser d'accessoires nécessitant l'utilisation de réfrigérants fluides.** L'utilisation d'eau ou de réfrigérants fluides pose des risques d'électrocution ou de chocs électriques.
 - **NE PAS utiliser de brosse métallique avec ce carter d'aspiration pour meuleuses de finition.**
 - **NE PAS utiliser de meules abrasives.**
 - **NE PAS meuler ou découper le métal avec une meule boisseau diamant.** Des fragments pourraient se détacher et être expulsés.
 - **Utiliser SYSTÉMATIQUEMENT un système de dépoussiérage.**
- ⚠️ AVERTISSEMENT : lorsqu'elle est inutilisée, déposer la meuleuse sur une surface stable où elle sera immobile et ne risquera pas de rouler ou de faire trébucher ou chuter quiconque.** Cela pose des risques de dommages corporels graves.

⚠ **AVERTISSEMENT** : Porter **SYSTÉMATIQUEMENT** des lunettes de protection. Les lunettes courantes NE sont PAS des lunettes de protection. Utiliser aussi un masque antipoussières si la découpe doit en produire beaucoup. Porter **SYSTÉMATIQUEMENT** un équipement de sécurité homologué :

- Protection oculaire ANSI Z87.1 (CAN/CSA Z94.3);
- Protection auditive ANSI S12.6 (S3.19) ;
- Protection des voies respiratoires NIOSH/OSHA/MSHA.

⚠ **AVERTISSEMENT** : les scies, meules, ponceuses, perceuses ou autres outils de construction peuvent produire des poussières contenant des produits chimiques reconnus par l'État californien pour causer cancers, malformations congénitales ou être nocifs au système reproducteur. Parmi ces produits chimiques, on retrouve :

- Le plomb dans les peintures à base de plomb;
- La silice cristallisée dans les briques et le ciment, ou autres produits de maçonnerie; et
- L'arsenic et le chrome dans le bois ayant subi un traitement chimique.

Le risque associé à de telles expositions varie selon la fréquence à laquelle on effectue ces travaux. Pour réduire toute exposition à ces produits : travailler dans un endroit bien aéré, en utilisant du matériel de sécurité homologué tel un masque antipoussières spécialement conçu pour filtrer les particules microscopiques.

- **Limiter toute exposition prolongée avec les poussières provenant du ponçage, sciage, meulage, perçage ou toute autre activité de construction. Porter des vêtements de protection et nettoyer à l'eau savonneuse les parties du corps exposées.** Le fait de laisser la poussière pénétrer dans la bouche, les yeux ou la peau peut favoriser l'absorption de produits chimiques dangereux.

⚠ **AVERTISSEMENT** : cet outil peut produire et/ou répandre de la poussière susceptible de causer des dommages sérieux et permanents au système respiratoire. Utiliser systématiquement un appareil respiratoire antipoussières homologué par le NIOSH ou l'OSHA. Diriger les particules dans le sens opposé au visage et au corps.

⚠ **AVERTISSEMENT** : avant de se mettre au travail, s'assurer de déterminer la classification des dangers posés par les poussières produites. Utiliser un aspirateur industriel de la classe officielle de sécurité, appropriée et homologuée, conformément aux consignes locales de lutte contre les risques posés par les poussières.

⚠ **AVERTISSEMENT** : porter systématiquement une protection auditive individuelle appropriée. Sous certaines conditions et suivant la durée d'utilisation, le bruit émanant de ce produit pourrait contribuer à une perte de l'acuité auditive.

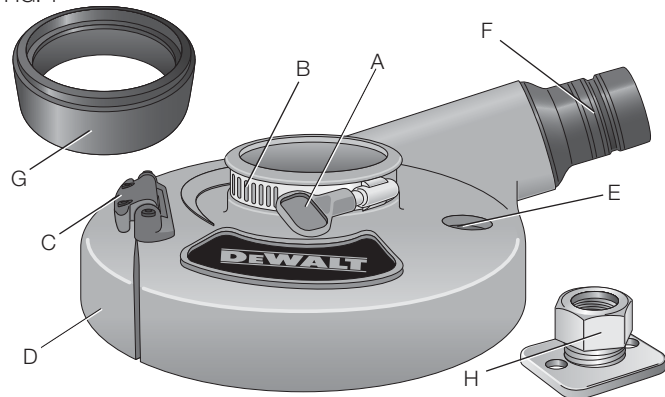
CONSERVER CES CONSIGNES POUR UTILISATION ULTÉRIEURE

DESCRIPTION (FIG. 1)

⚠ **AVERTISSEMENT** : ne jamais modifier l'outil électrique ni aucun de ses composants, car il y a risques de dommages corporels ou matériels.

- | | |
|--|--|
| A. Vis de la bride de fixation du tuyau | F. Buse de dépoussiérage pour connecteur universel |
| B. Bride de fixation du tuyau | G. Adaptateur du carter d'engrenage |
| C. Charnière du capot de meulage angulaire | H. Adaptateur de meules diamant à moyeu droit |
| D. Capot de meulage angulaire | |
| E. Bouche d'admission d'air | |

FIG. 1



USAGE PRÉVU

Votre carter d'aspiration pour meuleuses de finition du béton a été conçu pour l'élimination des poussières lors du meulage, nivelage et polissage de surfaces en béton. Il peut aussi éliminer les poussières produites lors du retrait des peintures, des colles époxydes ou autres. Avec l'utilisation d'une meuleuse à disque, meule diamant et d'un aspirateur appropriés, le carter d'aspiration pour meuleuses de finition peut être utilisé pour retirer une vaste majorité des poussières statiques atmosphériques qui en son absence pourraient contaminer l'environnement de travail ou poser des risques accrus pour la santé de l'utilisateur et de ceux à proximité. Ce carter d'aspiration pour meuleuses de finition du béton doit être **SYSTÉMATIQUEMENT** utilisé avec un aspirateur spécialement conçu pour l'élimination des poussières de béton.

NE PAS les utiliser en milieu ambiant humide ou en présence de liquides ou de gaz inflammables.

Le corps d'aspiration pour les meuleuses est un outil professionnel. **NE PAS** le laisser à la portée des enfants. Une supervision est nécessaire auprès de tout utilisateur non expérimenté.

Les outils électriques recommandés pour être utilisés avec cet accessoire sont vendus séparément auprès de votre distributeur local ou dans les centres de réparation agréés. Si vous avez besoin d'aide pour localiser ces outils électriques, veuillez contacter DEWALT Industrial Tool Co., 701 East Joppa Road, Baltimore, MD 21286, ou appeler 1-800-4-DEWALT (1-800-433-9258) ou vous rendre sur notre site www.dewalt.com.

ASSEMBLY (FIG. 1, 2)

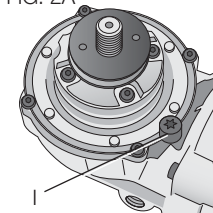
⚠AVERTISSEMENT : pour réduire le risque de blessures, arrêter et débrancher **SYSTÉMATIQUEMENT** l'outil avant tout réglage ou avant de retirer ou installer toute pièce ou tout accessoire. Cela s'applique aussi bien à la meuleuse à disque qu'à l'aspirateur. Ces mesures préventives de sécurité réduisent les risques de démarrage accidentel de l'outil.

Installation et retrait du carter d'aspiration pour meuleuses de finition (Fig. 2A-D)

REMARQUE : le carter d'aspiration et l'adaptateur (G) s'encastrent étroitement sur la meuleuse. Prendre des précautions pour installer ce carter d'aspiration.

1. Suivez les instructions d'installation et de retrait du dispositif de protection dans le guide d'utilisation de l'outil pour retirer le dispositif existant de la meuleuse.

FIG. 2A

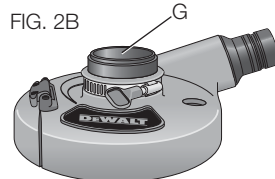
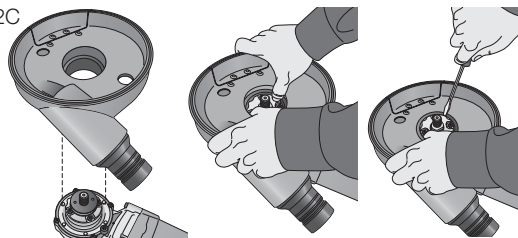


2. Le cas échéant, retirez la vis de butée (I) de votre meuleuse DEWALT à l'aide d'une clé en étoile T40. En l'absence d'une clé en étoile, utilisez un tournevis à tête plate ou une pince-étau pour retirer la vis.

3. Avec le bord biseauté du collier du carter orienté vers le haut, insérez partiellement l'adaptateur du carter d'engrenage (G) sur le collier comme illustré en figure 2B.

4. En alignant l'adaptateur et le carter d'aspiration sur le carter d'engrenage, emboîtez-les à l'aide des pouces sur le carter d'engrenage. Il est aussi possible d'utiliser un large tournevis à tête plate pour assurer que l'adaptateur est bien positionné. Le carter d'aspiration et l'adaptateur devraient glisser ensemble en place sur le carter d'engrenage.

FIG. 2C



5. Orientez correctement le carter d'aspiration puis resserrer soigneusement la vis (A) de la bride de fixation du tuyau.

6. Pour retirer le carter d'aspiration, répétez ces étapes en sens inverse.

AVIS : s'il est impossible de resserrer le carter d'aspiration pour meuleuses de finition avec la vis de la bride de fixation du tuyau, ne pas utiliser l'outil. Apporter l'outil et le carter d'aspiration pour meuleuses de finition chez un centre de réparation pour faire réparer ou remplacer le carter d'aspiration.

Installation de meules boisseau diamant de surfacage à sec (Fig. 3)

Suivez les instructions d'installation et d'utilisation des meules à tronçonner dans le guide d'utilisation de l'outil pour installer la meule. N'utilisez PAS de meules à tronçonner de type 1 ou des meules abrasives composites.

Il est recommandé d'utiliser des meules boisseau diamant de surfacage à sec (J) avec ce carter d'aspiration. La bague en nylon interne (K) doit être installée derrière la meule pour en faciliter le retrait de l'outil et assurer un positionnement et un alignement corrects sur le carter d'aspiration.

FIG. 2D

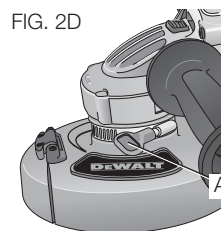
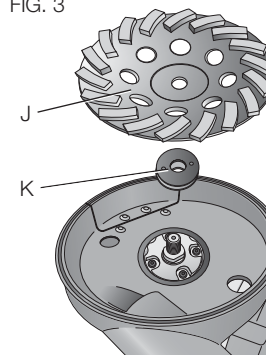


FIG. 3



Connexion tuyau (Fig. 4–6)

⚠AVERTISSEMENT : utiliser exclusivement les outils électriques recommandés par DEWALT avec cet accessoire.

Pour plus d'informations concernant les outils électriques DEWALT compatibles avec cet accessoire, contacter votre détaillant local, appeler le 1-800-4-DEWALT (1-800-433-9258) ou se rendre sur notre site www.dewalt.com.

⚠AVERTISSEMENT : cet accessoire DOIT ÊTRE utilisé avec un extracteur de poussière. Porter SYSTÉMATIQUEMENT un écran facial ou un masque anti-poussières de sécurité homologué.

REMARQUE : vérifier que la connexion tuyau est fiable.

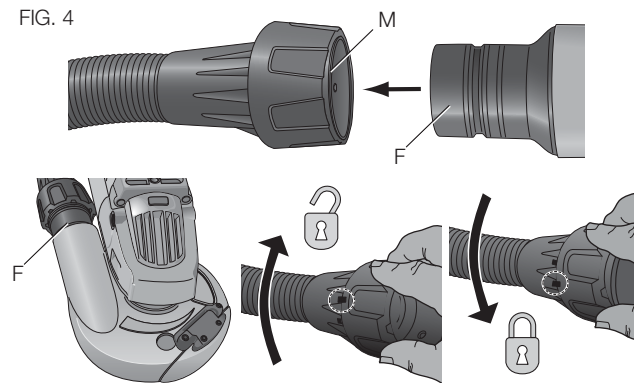
REMARQUE : la quantité de poussière éliminée par l'aspirateur dépend de son système de filtrage. Se reporter au manuel de l'utilisateur de l'aspirateur pour des informations complémentaires.

Tous les carters d'aspiration DEWALT ont été conçus pour s'adapter facilement et soigneusement sur les connecteurs universels DWV9000 DEWALT. Le connecteur DWV9000 est pré installé d'usine sur certains extracteurs de poussière DEWALT. Veuillez consulter votre détaillant local pour connaître la liste des extracteurs compatibles.

CONNEXION DU DWV9000 AU CARTER D'ASPIRATION (FIG. 4)

REMARQUE : si le DWV9000 n'est pas installé sur le tuyau de l'extracteur de poussière, se reporter à la section **Installation du DWV9000 sur un tuyau d'extracteur de poussières**.

1. Alors que le connecteur DWV9000 (M) est déverrouillé, insérez-le sur la buse de dépolluierage (F) du carter d'aspiration.
2. Verrouillez le connecteur DWV9000 (M) pour arrimer l'ensemble.

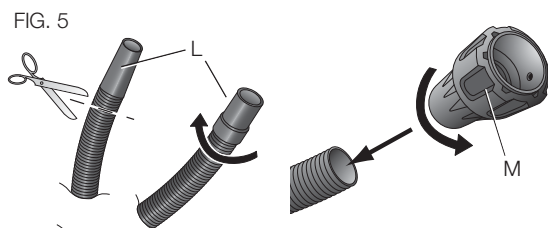


INSTALLATION DU DWV9000 SUR UN TUYAU D'EXTRACTEUR DE POUSSIÈRES (FIG. 5, 6)

Le DWV9000 peut être rattaché à un tuyau de système de dépolluierage de 31,8 mm ou 63,5 mm (1-1/4 ou 2-1/2 po). Le DWV9000 peut être utilisé avec un tuyau de 63,5 mm (2-1/2 po) à l'aide de l'adaptateur DWV9190.

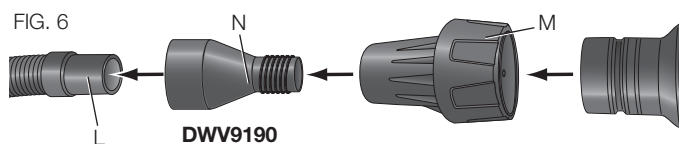
Pour les tuyaux de 31,8 mm (1-1/4 po) :

1. Retirez le raccord de tuyau (L) existant en le tournant vers la droite, ou s'il y est rattaché de façon permanente, retirez-le en le coupant.
2. Installez le connecteur universel DWV9000 (M) sur le tuyau en le tournant vers la gauche.



Pour les tuyaux de 63,5 mm (2-1/2 po) :

1. Utilisez l'adaptateur DWV9190 (N) et insérez-le sur le raccord de tuyau existant (L).
2. Installez le connecteur universel DWV9000 (M) sur l'adaptateur en le tournant vers la gauche.



UTILISATION

⚠AVERTISSEMENT : pour réduire le risque de blessures, arrêter et débrancher **SYSTÉMATIQUEMENT** l'outil avant tout réglage ou avant de retirer ou installer toute pièce ou tout accessoire. Cela s'applique aussi bien à la meuleuse à disque qu'à l'aspirateur. Ces mesures préventives de sécurité réduisent les risques de démarrage accidentel de l'outil.

⚠AVERTISSEMENT : pour votre sécurité, lire le manuel de l'utilisateur de la meuleuse, mais aussi de l'aspirateur avant l'utilisation de tout accessoire. Tout manquement à ces avertissements augmente les risques de blessures, et les risques d'endommager sérieusement l'appareil et ses accessoires. Lors de la maintenance de cet outil, n'utiliser que des pièces de rechange identiques.

REMARQUE : la quantité de poussière éliminée par l'aspirateur dépend de son système de filtrage. Se reporter au manuel de l'utilisateur de l'aspirateur pour des informations complémentaires.

1. Assurez-vous que toutes les instructions d'assemblage ont bien été suivies.
2. Allumez l'aspirateur comme indiqué dans le manuel de l'utilisateur de l'aspirateur.
3. Mettez l'outil en marche comme indiqué dans le manuel de l'utilisateur de l'outil, et laissez-le tourner à plein régime avant de le mettre en contact avec une surface de travail.
4. Placez le carter d'aspiration pour meuleuses de finition sur une surface plane comme un sol ou un mur et commencez à meuler.
5. Une fois le meulage de finition terminé, arrêtez l'outil et débranchez-le du secteur. Laissez l'outil s'arrêter complètement de tourner avant de le poser.

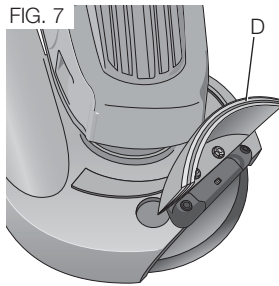
REMARQUE : le carter d'aspiration pour meuleuses de finition et l'aspirateur ne seront efficaces que s'ils sont utilisés avec une meule boisseau diamant sur une surface plane.

Applications : meulage angulaire (Fig. 7)

Le carter d'aspiration pour meuleuses de béton possède une fonctionnalité capot de meulage angulaire permettant de meuler au ras d'un mur.

1. Arrêtez l'outil et débranchez-le du secteur.

2. Ouvrez le capot de meulage angulaire (D). Le capot devrait demeurer ainsi en position ouverte.
3. Connectez l'outil au secteur.
4. Positionnez les mains et le corps hors du chemin de la meule et de l'ouverture du capot.
5. Placez le bord du capot au raz de la surface à travailler avant de démarrer l'outil puis commencez à meuler. Retirez l'outil de la pièce à travailler avant de l'arrêter.
6. Une fois le meulage angulaire terminé, arrêtez l'outil et débranchez-le du secteur.
7. Laissez l'outil s'arrêter complètement de tourner avant de refermer le capot de meulage angulaire (D).



MAINTENANCE

⚠ AVERTISSEMENT : pour réduire le risque de blessures, arrêter et débrancher **SYSTÉMATIQUEMENT** l'outil avant tout réglage ou avant de retirer ou installer toute pièce ou tout accessoire. Cela s'applique aussi bien à la meuleuse à disque qu'à l'aspirateur. Ces mesures préventives de sécurité réduisent les risques de démarrage accidentel de l'outil.

Nettoyage

⚠ AVERTISSEMENT : enlever les saletés et la poussière hors des événements au moyen d'air comprimé propre et sec, au moins une fois par semaine. Pour minimiser le risque de blessure aux yeux, toujours porter une protection oculaire conforme à la norme ANSI Z87.1 lors du nettoyage.

⚠ AVERTISSEMENT : ne jamais utiliser de solvants ni d'autres produits chimiques puissants pour nettoyer les pièces non métalliques de l'outil. Ces produits chimiques peuvent affaiblir les matériaux de plastique utilisés dans ces pièces. Utiliser un chiffon humecté uniquement d'eau et de savon doux. Ne jamais laisser de liquide pénétrer dans l'outil et n'immerger aucune partie de l'outil dans un liquide.

Accessoires

⚠ AVERTISSEMENT : puisque les accessoires autres que ceux offerts par DEWALT n'ont pas été testés avec ce produit, leur utilisation pourrait s'avérer dangereuse. Pour réduire le risque de blessures, utiliser exclusivement les accessoires DEWALT recommandés avec le présent produit.

Les accessoires recommandés pour cet outil sont vendus séparément au centre de service de votre région. Pour obtenir de l'aide concernant l'achat d'un accessoire, communiquer avec DEWALT Industrial Tool Co., 701 East Joppa Road, Baltimore, MD 21286 aux États-Unis; composer le 1 800 433-9258 (1 800 4-DEWALT) ou visiter notre site Web : www.dewalt.com.

Réparations

Pour assurer la SÉCURITÉ et la FIABILITÉ du produit, les réparations, l'entretien et les réglages doivent être réalisés (cela comprend l'inspection et le remplacement du balai) par un centre de réparation en usine DEWALT, un centre de réparation agréé DEWALT ou par d'autres techniciens qualifiés. Toujours utiliser des pièces de rechange identiques.

Registre en ligne

Merci pour votre achat. Enregistrez dès maintenant votre produit :

- **RÉPARATIONS SOUS GARANTIE:** cette carte remplie vous permettra de vous prévaloir du service de réparations sous

Definiciones: Normas de Seguridad

Las siguientes definiciones describen el nivel de gravedad de cada palabra de señal. Lea el manual y preste atención a estos símbolos.

⚠PELIGRO: indica una situación de peligro inminente que, si no se evita, provocará **la muerte o lesiones graves**.

⚠ADVERTENCIA: indica una situación de peligro potencial que, si no se evita, **podría provocar la muerte o lesiones graves**.

⚠ATENCIÓN: indica una situación de peligro potencial que, si no se evita, **posiblemente provocaría lesiones leves o moderadas**.

AVISO: se refiere a una práctica **no relacionada a lesiones corporales** que de no evitarse **puede resultar en daños a la propiedad**.

SI TIENE ALGUNA DUDA O ALGÚN COMENTARIO SOBRE ÉSTA U OTRA HERRAMIENTA DEWALT, LLÁMENOS AL NÚMERO GRATUITO: 1-800-4-DEWALT (1-800-433-9258).



ADVERTENCIA: Para reducir el riesgo de lesiones, lea el manual de instrucciones.

CONSERVE TODAS LAS ADVERTENCIAS E INSTRUCCIONES PARA FUTURAS CONSULTAS

Advertencias generales sobre seguridad



ADVERTENCIA: Por su propia seguridad, lea el manual de instrucciones para la esmeriladora y la aspiradora extractora de

polvo antes de usar los accesorios. De no seguir estas advertencias podrían producirse lesiones corporales y graves daños a la herramienta y al accesorio. Cuando realice el mantenimiento de esta herramienta, utilice únicamente repuestos originales.

1) SEGURIDAD EN EL ÁREA DE TRABAJO

- Mantenga el área de trabajo limpia y bien iluminada.** Las áreas abarrotadas y oscuras propician accidentes.
- Mantenga alejados a los niños y a los espectadores de la herramienta eléctrica en funcionamiento.** Las distracciones pueden provocar la pérdida de control.
- Asegúrese de que el lugar de trabajo esté bien ventilado.** La exposición al polvo en un lugar de trabajo con poca ventilación puede dar como resultado el deterioro de la salud.

2) SEGURIDAD ELÉCTRICA

- Evite el contacto corporal con superficies con descargas a tierra como, por ejemplo, tuberías, radiadores, cocinas eléctricas y refrigeradores.** Existe mayor riesgo de descarga eléctrica si su cuerpo está puesto a tierra.

3) SEGURIDAD PERSONAL

- Permanezca alerta, controle lo que está haciendo y utilice el sentido común cuando emplee una herramienta eléctrica. No utilice una herramienta eléctrica si está cansado o bajo el efecto de drogas, alcohol o medicamentos.** Un momento de descuido mientras se opera una herramienta eléctrica puede provocar lesiones personales graves.
- Utilice equipos de protección personal. Siempre utilice protección para los ojos.** En las condiciones adecuadas, el uso de equipos de protección, como máscaras para polvo, calzado de seguridad antideslizante, cascos o protección auditiva, reducirá las lesiones personales.

- c) **No se estire. Conserve el equilibrio y párese adecuadamente en todo momento.** Esto permite un mejor control de la herramienta eléctrica en situaciones inesperadas.
- d) **Use la vestimenta adecuada. No use ropas holgadas ni joyas. Mantenga el cabello, la ropa y los guantes alejados de las piezas en movimiento.** Las ropas holgadas, las joyas o el cabello largo pueden quedar atrapados en las piezas en movimiento.

4) USO Y MANTENIMIENTO DE LA HERRAMIENTA ELÉCTRICA

- a) **No fuerce la herramienta eléctrica. Utilice la herramienta eléctrica correcta para el trabajo que realizará.** Si se la utiliza a la velocidad para la que fue diseñada, la herramienta eléctrica correcta permite trabajar mejor y de manera más segura.

⚠ADVERTENCIA: El uso de accesorios o adaptadores, o el desempeño de cualquier operación con esta herramienta, distintos a los recomendados en este manual de instrucciones puede representar un riesgo de lesiones personales.

- b) **Guarde la herramienta eléctrica que no esté en uso fuera del alcance de los niños y no permita que otras personas no familiarizadas con ella o con estas instrucciones operen la herramienta.** Las herramientas eléctricas son peligrosas si son operadas por usuarios no capacitados.
- c) **Utilice la herramienta eléctrica, los accesorios y las brocas de la herramienta, etc. de acuerdo con estas instrucciones y teniendo en cuenta las condiciones de trabajo y el trabajo que debe realizarse.** El uso de la herramienta eléctrica para operaciones diferentes de aquéllas para las que fue diseñada podría originar una situación peligrosa.

5) MANTENIMIENTO

- a) **Solicite a una persona calificada en reparaciones que realice el mantenimiento de su herramienta eléctrica y que sólo utilice piezas de repuesto idénticas.** Esto garantizará la seguridad de la herramienta eléctrica.

Reglas de seguridad de la cubierta protectora para esmerilado de superficie

- **La cubierta debe ir firmemente ajustada a la herramienta y en posición para el máximo de seguridad, de modo que se exponga la menor parte posible del disco al operador.** La cubierta está diseñada para recoger polvo y contribuir a la protección del operador contra el contacto accidental con el disco.
- **No utilice accesorios que no estén diseñados y recomendados específicamente por el fabricante de la herramienta.** El hecho de que el accesorio pueda acoplarse a la herramienta eléctrica no garantiza un funcionamiento sin riesgos.
- **Únicamente use discos de copa de diamante seco con esta cubierta protectora para esmerilado de superficie.** Esta cubierta protectora para esmerilado de superficie no está prevista para ser usada con discos de copa estándar para esmerilar o cortar o escobillas de alambre.
- **La velocidad prevista del accesorio debe ser como mínimo igual a la velocidad máxima marcada en la herramienta eléctrica.** Los accesorios operados a velocidades superiores a su velocidad nominal pueden romperse y salir despedidos.
- **Sostenga la herramienta eléctrica sólo en superficies de agarre aisladas cuando realice una operación en la cual el accesorio para cortar pudiera entrar en contacto con instalaciones eléctricas ocultas o su propio cable.** El contacto con un cable con "corriente eléctrica" hará que las partes metálicas

expuestas de la herramienta también tengan “corriente eléctrica” y el operador sufra una descarga.

- **Siempre utilice el mango lateral. Ajuste el mango con firmeza.** Se debe utilizar siempre el mango lateral para mantener el control de la herramienta en todo momento.
- **No utilice un accesorio dañado. Antes de cada uso inspeccione el accesorio, como por ejemplo el disco de diamante, para verificar si tiene muescas o grietas, y la almohadilla de respaldo para verificar si tiene grietas o roturas o si está muy desgastado. Si la herramienta o el accesorio se cae accidentalmente, revise que no esté dañado o, si es necesario, cambie el accesorio por uno que no esté dañado. Después de inspeccionar e instalar un accesorio, colóquense usted y las personas presentes alejados del plano del accesorio en movimiento y ponga la herramienta eléctrica en funcionamiento a la velocidad sin carga máxima durante un minuto. Si el accesorio está dañado, normalmente se terminará de romper durante este período de prueba.**
- **Al arrancar la herramienta con un disco nuevo o de repuesto, sostenga la herramienta en un área bien protegida y hágala funcionar durante un minuto.** Si el disco tiene una grieta o un defecto que pasó desapercibido, se desintegrará o separará en menos de un minuto. Nunca encienda la herramienta si una persona está parada frente al disco. Esta instrucción incluye al operador.
- **Póngase un equipo de protección personal. Dependiendo de la aplicación, use un protector facial y gafas protectoras. Si corresponde, póngase una mascarilla antipolvo, protectores para el oído, guantes y un delantal de trabajo que pueda detener pequeños fragmentos abrasivos o de la pieza de trabajo.** La protección ocular utilizada debe ser capaz de detener

desechos despedidos por las diversas operaciones realizadas con la herramienta. La máscara antipolvo o el respirador debe poder filtrar partículas generadas por la operación realizada. La exposición prolongada a ruidos de alta intensidad puede causar pérdida auditiva.

- **Coloque el cable lejos del accesorio rotativo.** Si pierde el control, el cable puede cortarse o engancharse y puede arrastrar a la mano o el brazo hacia el accesorio rotativo.
- **Nunca suelte la herramienta hasta que el accesorio haya dejado de girar totalmente.** El accesorio rotativo puede aferrarse a la superficie y tirar de la herramienta, haciéndole perder el control de la misma.
- **No ponga en funcionamiento la herramienta eléctrica mientras la transporte a su lado.** El contacto accidental con el accesorio rotativo podría enganchar su ropa y tirar del accesorio hacia su cuerpo.
- **Limpie periódicamente los orificios de ventilación de la herramienta eléctrica.** El ventilador del motor atraerá el polvo dentro de la caja protectora y la acumulación excesiva del metal en polvo puede ocasionar riesgos eléctricos.
- **No utilice la herramienta eléctrica cerca de materiales inflamables.** Las chispas podrían prender fuego a estos materiales.
- **No utilice accesorios que requieran líquidos refrigerantes.** El utilizar agua u otros refrigerantes líquidos puede ocasionar electrocución o descarga.
- **NO use escobillas de alambre con este protector para esmerilado de superficie.**
- **NO use discos abrasivos.**
- **NO esmerile ni corte metal con un disco de copa de diamante.** Los fragmentos podrían aflojarse y salir despedidos.
- **SIEMPRE use un colector de polvo.**

⚠ADVERTENCIA: Cuando no la utilice, coloque la esmeriladora en una superficie estable donde no pueda moverse de manera accidental, deslizarse ni provocar tropezones o caídas. Puede resultar en lesiones corporales serias.

⚠ADVERTENCIA: use **SIEMPRE** lentes de seguridad. Los anteojos de diario NO SON lentes de seguridad. Utilice además una cubrebocas o mascarilla antipolvo si la operación de corte genera demasiado polvo. SIEMPRE lleve equipo de seguridad certificado:

- Protección ocular ANSI Z87.1 (CAN/CSA Z94.3).
- Protección auditiva ANSI S12.6 (S3.19)
- Protección respiratoria NIOSH/OSHA.

⚠ADVERTENCIA: algunas partículas de polvo generadas al lijar, serrar, esmerilar y taladrar con herramientas eléctricas, así como al realizar otras actividades de construcción, contienen químicos que el Estado de California sabe que pueden producir cáncer, defectos congénitos u otras afecciones reproductivas. Ejemplos de estos químicos son:

- plomo de algunas pinturas en base a plomo,
- polvo de sílice proveniente de ladrillos y cemento y otros productos de albañilería, y
- arsénico y cromo provenientes de madera tratada químicamente.

Su riesgo de exposición a estos químicos varía, dependiendo de la frecuencia con la cual realiza usted este tipo de trabajo. Para reducir la exposición a esas sustancias químicas: trabaje en una zona bien ventilada y llevando equipos de seguridad aprobados, como mascarillas antipolvo especialmente diseñadas para filtrar partículas microscópicas.

- **Evite el contacto prolongado con polvo generado por el lijado, aserrado, pulido, taladrado y otras actividades de construcción. Vista ropas protectoras y lave las áreas de la piel expuestas con agua y jabón.** Si permite que el polvo se introduzca en la boca u ojos o quede sobre la piel, puede favorecer la absorción de productos químicos peligrosos.

⚠ADVERTENCIA: La utilización de esta herramienta puede generar polvo o dispersarlo, lo que podría causar daños graves y permanentes al sistema respiratorio, así como otras lesiones. Siempre use protección respiratoria aprobada por NIOSH (Instituto Nacional de Seguridad y Salud en el Trabajo) u OSHA (Administración de Seguridad y Salud en el Trabajo) apropiada para la exposición al polvo. Dirija las partículas en dirección contraria a la cara y el cuerpo.

⚠ADVERTENCIA: Antes de comenzar el trabajo, verifique para determinar la clasificación de riesgo del polvo producido. Utilice una aspiradora extractora de polvo industrial apropiada, de la clase de seguridad aprobada oficialmente, y en cumplimiento con sus normativas locales de control de riesgo del polvo.

⚠ADVERTENCIA: Utilice siempre protección auditiva personal apropiada. Bajo algunas condiciones y duraciones de uso, el ruido producido por este producto puede contribuir a la pérdida auditiva.

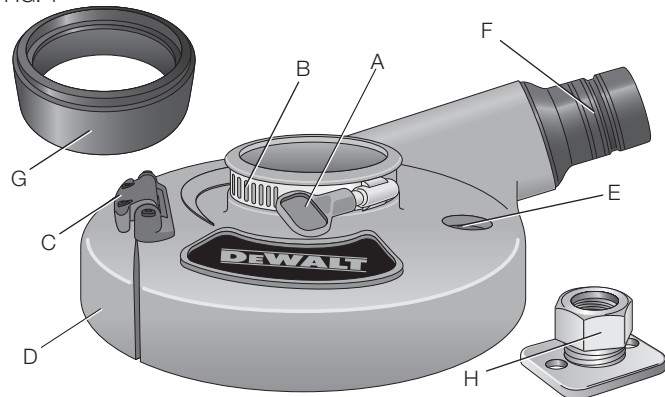
GUARDE ESTAS INSTRUCCIONES PARA FUTURAS CONSULTAS

COMPONENTES (FIG. 1)

⚠ADVERTENCIA: Nunca modifique la herramienta eléctrica, ni tampoco ninguna de sus piezas. Podría producir lesiones corporales o daños.

- | | |
|--|--|
| A. Tornillo de fijación de la manguera | E. Orificio de entrada |
| B. Abrazadera de la manguera | F. Orificio de salida de polvo para conector universal |
| C. Bisagra de puerta de esmerilado de bordes | G. Adaptador de la caja de engranajes |
| D. Puerta de esmerilado de bordes | H. Adaptador para discos de diamante sin cubo |

FIG. 1



USO DEBIDO

La cubierta protectora para esmerilado de superficies de concreto fue diseñada para eliminar el polvo de los siguientes: esmerilado, nivelado y pulido de superficies de concreto. Puede eliminar el polvo al eliminar la pintura, el pegamento y el adhesivo de las superficies. Al usar la esmeriladora adecuada, el disco de diamante de esmerilar y la aspiradora extractora de polvo, se puede eliminar la mayor cantidad de polvo estático y transportado por el aire, que sin el uso de la cubierta protectora para esmerilado de superficie podría contaminar el entorno de trabajo o suponer un riesgo elevado para la salud del operador y de las personas a su alrededor. Esta esmeriladora para superficies de concreto debe usarse SIEMPRE con una aspiradora extractora de polvo diseñada para la eliminación de polvo de concreto.

NO utilice la herramienta en condiciones de humedad o en presencia de líquidos o gases inflamables.

La cubierta protectora para esmerilado de superficie es una herramienta profesional. **NO** permita que los niños toquen la herramienta. Si el operador no tiene experiencia operando esta herramienta, su uso deberá ser supervisado.

Las herramientas eléctricas a ser utilizadas con este aditamento están disponibles con un cargo adicional en su distribuidor local o en el centro de servicio autorizado. Si necesita ayuda para ubicar alguna herramienta eléctrica, por favor póngase en contacto con DEWALT Industrial Tool Co., 701 East Joppa Road, Baltimore, MD 21286, llame al 1-800-4-DEWALT (1-800-433-9258) o visite nuestro sitio web www.dewalt.com.

ASSEMBLY (FIG. 1, 2)

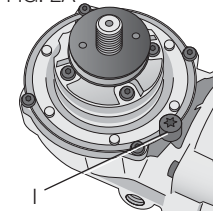
⚠ ADVERTENCIA: Para reducir el riesgo de lesiones personales graves, SIEMPRE apague la herramienta y desconéctela de la fuente de alimentación antes de realizar ajuste alguno, o de quitar o instalar acoplamientos o accesorios. Esto es relevante para la esmeriladora y la aspiradora extractora de polvo. Dichas medidas de seguridad preventiva reducen el riesgo de poner en marcha la herramienta accidentalmente.

Cómo montar y sacar la cubierta protectora para esmerilado de superficie (Fig. 2A-D)

NOTA: La cubierta y el adaptador (G) se ajustan bien en la esmeriladora. Tenga mucho cuidado cuando monte la cubierta.

1. Siga las instrucciones de montaje y extracción del protector en el manual de la herramienta eléctrica para sacar el protector existente de la esmeriladora.

FIG. 2A



2. Si lo hubiera, saque el tornillo de tope (I) de la esmeriladora DEWALT con una llave estrella T40. Si no puede obtenerse una llave estrella, utilice un destornillador de cabeza plana o un par de alicates de fijación para extraer el tornillo.

3. Con el borde biselado mirando hacia arriba del collar de la cubierta, introduzca el adaptador de la caja de engranajes (G) parcialmente en el collar como se muestra en la figura 2B.

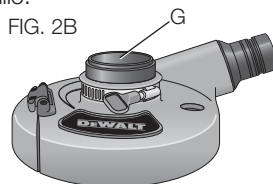
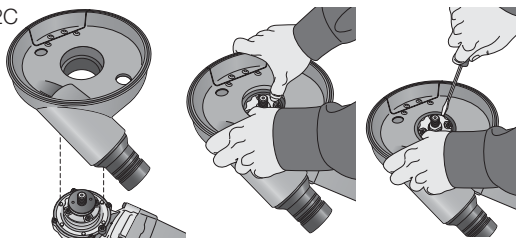


FIG. 2B

4. Alineando el adaptador y la cubierta con la caja de engranajes, empújelos los dos hacia la caja de engranajes con los pulgares. Puede usar también un destornillador grande de cabeza plana para asegurarse de que el adaptador esté colocado correctamente. La cubierta y el adaptador deberían deslizarse hacia abajo en la caja de engranajes al mismo tiempo.

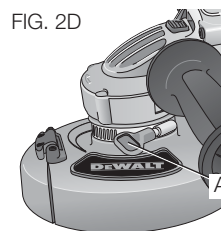
FIG. 2C



5. Ponga la cubierta en la orientación deseada, y apriete bien el tornillo de fijación de la manguera (A).

6. Para sacar la cubierta, repita estos pasos a la inversa.

FIG. 2D



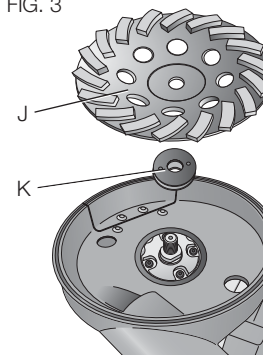
AVISO: Si la cubierta protectora para esmerilado de superficie no puede ajustarse con el tornillo de fijación de la manguera, no use la herramienta, y llévela junto con la cubierta protectora para esmerilado de superficie a un centro de servicio para repararla o cambiarla.

Montaje de discos de copa de diamante seco para superficie (Fig. 3)

Siga las instrucciones de montaje y uso de discos de corte en el manual de la herramienta y monte el disco de esmerilar. NO use discos de corte tipo 1 ni discos abrasivos.

Se recomienda el uso de discos de copa de diamante seco (J) para esta cubierta. La arandela de soporte amortiguador interior (K) debe instalarse detrás del disco, lo que permite quitar la herramienta libremente y un ajuste y alineación adecuados con la cubierta.

FIG. 3



Conexión de la manguera (Fig. 4-6)

⚠ADVERTENCIA: Únicamente use herramientas eléctricas recomendadas por DEWALT con este accesorio.

Para más información sobre las herramientas eléctricas de DEWALT compatibles con este accesorio, póngase en contacto con el proveedor local, llamando al 1-800-4-DEWALT (1-800-433-9258) o visite nuestro sitio web www.dewalt.com.

⚠ADVERTENCIA: Este accesorio DEBE usarse con un sistema extractor de polvo. SIEMPRE use una mascarilla protectora o antipolvo certificada.

NOTA: Asegure que la conexión de la manguera es segura.

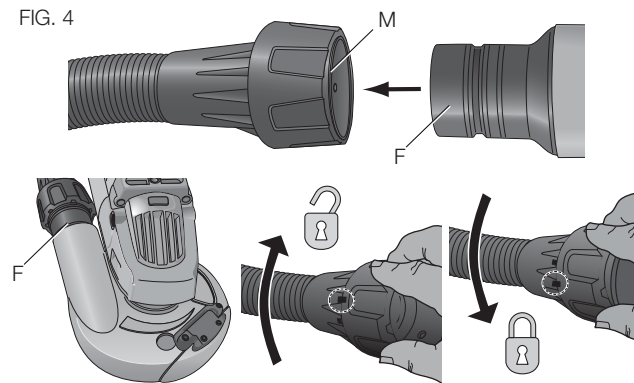
NOTA: La cantidad de polvo retenido en la aspiradora extractora de polvo depende de su sistema de filtro. Consulte el manual de instrucciones de la aspiradora extractora de polvo para obtener más información.

Todas las cubiertas de recolección de polvo DEWALT están diseñadas para conectar con el conector universal DWV9000 DEWALT y ajustarse fácilmente a él. El conector DWV9000 viene preinstalado en algunos extractores de polvo DEWALT. Consulte a su distribuidor local para obtener extractores compatibles.

CONEXIÓN DEL DWV9000 A LA CUBIERTA (FIG. 4)

NOTA: Si el DWV9000 no está instalado en la manguera del extractor de polvo consulte la sección **Instalación del DWV900 en una manguera de extractor de polvo**.

1. Con el conector DWV9000 (M) desbloqueado, deslícelo en el orificio de salida de polvo de la cubierta (F).
2. Cierre el conector DWV9000 (M) para asegurarlo.

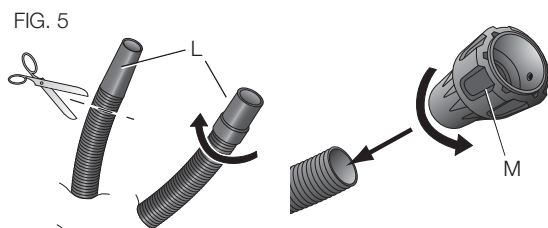


INSTALACIÓN DEL DWV9000 EN UNA MANGUERA DE EXTRACCIÓN DE POLVO (FIG. 5, 6)

El DWV9000 puede ajustarse a una manguera de extracción de polvo de 31,8 o 63,5 mm (1-1/4" o 2-1/2"). El DWV9000 puede utilizarse con una manguera de 63,5 mm (2-1/2") utilizando el adaptador DWV9190.

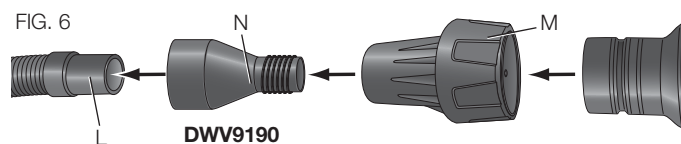
Para mangueras de 31,8 mm (1-1/4"):

1. Saque el conector de manguera existente (L) girando en sentido horario, o si el conector está unido permanentemente, sáquele cortándolo.
2. Instale el conector universal DWV9000 (M) en la manguera girándolo en sentido antihorario.



Para mangueras de 31,8 mm (2-1/2"):

1. Utilice un adaptador DWV9190 (N), y deslícelo en el conector de manguera existente (L).
2. Instale el conector universal DWV9000 (M) en el adaptador girándolo en sentido antihorario.



FUNCIONAMIENTO

⚠ ADVERTENCIA: Para reducir el riesgo de lesiones personales graves, SIEMPRE apague la herramienta y desconéctela de la fuente de alimentación antes de realizar ajuste alguno, o de quitar o instalar acoplamientos o accesorios. Esto es relevante para la esmeriladora y la aspiradora extractora de polvo. Estas medidas de seguridad preventiva reducen el riesgo de poner en marcha la herramienta accidentalmente.

⚠ ADVERTENCIA: Por su propia seguridad, lea el manual de instrucciones para la esmeriladora y la aspiradora extractora de polvo antes de usar los accesorios. De no seguir estas advertencias podrían producirse lesiones corporales y graves daños a la herramienta y al

accesorio. Cuando realice el mantenimiento de esta herramienta, utilice únicamente repuestos originales.

NOTA: La cantidad de polvo retenido en la aspiradora extractora de polvo depende de su sistema de filtro. Consulte el manual de instrucciones de la aspiradora extractora de polvo para obtener más información.

1. Asegure que se completaron todas las instrucciones de ensamblado.
2. Encienda la aspiradora extractora de polvo como se indica en el manual de instrucciones de la aspiradora extractora de polvo.
3. Encienda la herramienta como se indica en el manual de instrucciones y permita que llegue a velocidad completa antes de hacer contacto con la superficie de trabajo.
4. Coloque la cubierta protectora para esmerilado de superficie en una superficie de trabajo plana como el suelo o una pared, y comience a esmerilar.
5. Cuando se complete el esmerilado de la superficie, apague la herramienta y desconéctela de la fuente de alimentación. Permita que la herramienta deje de girar antes de soltarla.

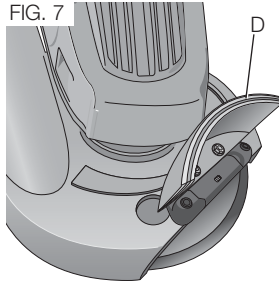
NOTA: La cubierta protectora para esmerilado de superficie y la aspiradora extractora de polvo únicamente serán eficaces si se usan con un disco de copa de diamante en una superficie plana.

Aplicación de uso en bordes (fig. 7)

Esta cubierta para esmerilado de concreto tiene una puerta de esmerilado de bordes con bisagra que permite el esmerilado nivelado contra la pared.

1. Apague la herramienta y desconéctela de la fuente de alimentación.
2. Abra la puerta de esmerilado de bordes (D) La puerta debe permanecer abierta y en posición de estacionamiento.

3. Conecte la herramienta a la fuente de alimentación.
4. Posicione las manos y el cuerpo lejos del disco y de la abertura de la puerta.
5. Coloque el borde de la puerta en la superficie de trabajo, antes de encender la herramienta y comenzar a esmerilar. Retire la herramienta de la superficie de trabajo antes de apagarla.
6. Cuando se complete el esmerilado de la superficie, apague la herramienta y desconéctela de la fuente de alimentación.
7. Deje que la herramienta pare de girar antes de empujar la puerta de esmerilado de bordes (D) para cerrarla.



MANTENIMIENTO

⚠ADVERTENCIA: Para reducir el riesgo de lesiones personales graves, SIEMPRE apague la herramienta y desconéctela de la fuente de alimentación antes de realizar ajuste alguno, o de quitar o instalar acoplamiento o accesorios. Esto es relevante para la esmeriladora y la aspiradora extractora de polvo. Estas medidas de seguridad preventiva reducen el riesgo de poner en marcha la herramienta accidentalmente.

Limpieza

⚠ADVERTENCIA: Sople la suciedad y el polvo de todos los conductos de ventilación con aire seco, al menos una vez por semana. Para reducir el riesgo de lesiones, utilice siempre protección para los ojos aprobada ANSI Z87.1 al realizar esta tarea.

⚠ADVERTENCIA: Nunca utilice solventes ni otros químicos abrasivos para limpiar las piezas no metálicas de la herramienta. Estos productos químicos pueden debilitar los materiales plásticos utilizados en estas piezas. Utilice un paño humedecido sólo con agua y jabón neutro. Nunca permita que penetre líquido dentro de la herramienta ni sumerja ninguna de las piezas en un líquido.

Accesorios

⚠ADVERTENCIA: Debido a que no se han probado con este producto otros accesorios que no sean los que ofrece DEWALT, el uso de dichos accesorios con esta herramienta podría ser peligroso. Para reducir el riesgo de lesiones, con este producto deben usarse sólo los accesorios recomendados por DEWALT.

Los accesorios que se recomiendan para utilizar con la herramienta están disponibles a un costo adicional en su distribuidor local o en un centro de mantenimiento autorizado. Si necesita ayuda para localizar algún accesorio, póngase en contacto con DEWALT Industrial Tool Co., 701 East Joppa Road, Baltimore, MD 21286, llame al 1-800-4-DEWALT (1-800-433-9258) o visite nuestro sitio Web: www.dewalt.com.

Reparaciones

Para asegurar la SEGURIDAD y la CONFIABILIDAD del producto, las reparaciones, el mantenimiento y los ajustes deben (inclusive inspección y cambio de carbones) ser realizados en un centro de mantenimiento en la fábrica DEWALT, en un centro de mantenimiento autorizado DEWALT u por otro personal de mantenimiento calificado. Utilice siempre piezas de repuesto idénticas.

PARA REPARACIÓN Y SERVICIO DE SUS HERRAMIENTAS ELÉCTRICAS, FAVOR DE DIRIGIRSE AL CENTRO DE SERVICIO MÁS CERCANO

CULIACAN, SIN

Bldv.Emiliano Zapata 5400-1 Poniente
Col. San Rafael

(667) 717 89 99

GUADALAJARA, JAL

Av. La Paz #1779 - Col. Americana Sector Juárez

(33) 3825 6978

MEXICO, D.F.

Eje Central Lázaro Cárdenas No. 18
Local D, Col. Obrera

(55) 5588 9377

MERIDA, YUC

Calle 63 #459-A - Col. Centro

(999) 928 5038

MONTERREY, N.L.

Av. Francisco I. Madero 831 Poniente - Col. Centro

(818) 375 23 13

PUEBLA, PUE

17 Norte #205 - Col. Centro

(222) 246 3714

QUERETARO, QRO

Av. San Roque 274 - Col. San Gregorio

(442) 2 17 63 14

SAN LUIS POTOSI, SLP

Av. Universidad 1525 - Col. San Luis

(444) 814 2383

TORREON, COAH

Bldv. Independencia, 96 Pte. - Col. Centro

(871) 716 5265

VERACRUZ, VER

Prolongación Díaz Mirón #4280 - Col. Remes

(229) 921 7016

VILLAHERMOSA, TAB

Constitución 516-A - Col. Centro

(993) 312 5111

PARA OTRAS LOCALIDADES:

Si se encuentra en México, por favor llame al (55) 5326 7100

Si se encuentra en U.S., por favor llame al

1-800-433-9258 (1-800 4-DEWALT)

Póliza de Garantía

IDENTIFICACIÓN DEL PRODUCTO:

Sello o firma del Distribuidor.

Nombre del producto: _____ Mod./Cat.: _____

Marca: _____ Núm. de serie: _____

(Datos para ser llenados por el distribuidor)

Fecha de compra y/o entrega del producto: _____

Nombre y domicilio del distribuidor donde se adquirió el producto: _____

Este producto está garantizado por un año a partir de la fecha de entrega, contra cualquier defecto en su funcionamiento, así como en materiales y mano de obra empleados para su fabricación. Nuestra garantía incluye la reparación o reposición del producto y/o componentes sin cargo alguno para el cliente, incluyendo mano de obra, así como los gastos de transportación razonablemente erogados derivados del cumplimiento de este certificado.

Para hacer efectiva esta garantía deberá presentar su herramienta y esta póliza sellada por el establecimiento comercial donde se adquirió el producto, de no contar con ésta, bastará la factura de compra.

EXCEPCIONES

Esta garantía no será válida en los siguientes casos:

- Cuando el producto se hubiese utilizado en condiciones distintas a las normales;
- Cuando el producto no hubiese sido operado de acuerdo con el instructivo de uso que se acompaña;
- Cuando el producto hubiese sido alterado o reparado por personas distintas a las enlistadas al final de este certificado.

Anexo encontrará una relación de sucursales de servicio de fábrica, centros de servicio autorizados y franquiciados en la República Mexicana, donde podrá hacer efectiva su garantía y adquirir partes, refacciones y accesorios originales.

Español







DEWALT Industrial Tool Co., 701 East Joppa Road, Baltimore, MD 21286
(DEC12) Part No. N213716 DWE46170 Copyright © 2012 DeWALT

The following are trademarks for one or more DEWALT power tools: the yellow and black color scheme; the "D" shaped air intake grill; the array of pyramids on the handgrip; the kit box configuration; and the array of lozenge-shaped humps on the surface of the tool.