

Questions? See us in the World Wide Web at www.dewalt.com

INSTRUCTIVO DE OPERACIÓN, CENTROS DE SERVICIO Y
POLIZA DE GARANTÍA. ADVERTENCIA: LEÁSE ESTE
INSTRUCTIVO ANTES DE USAR EL PRODUCTO.

INSTRUCTION MANUAL
GUIDE D'UTILISATION
MANUAL DE INSTRUCCIONES

DEWALT

DW880/DW882/DW887/DW888
Die Grinders/Straight Grinders
Rectifieuses et fraiseuses pour matrices
Rectificadoras/Esmeriladoras rectas

DEWALT Industrial Tool Co., 701 East Joppa Road, Baltimore, MD 21286
Printed in U.S.A. (JUN00-CD-1) Form No.383566-01 DW880, etc. Copyright © 1999

IF YOU HAVE ANY QUESTIONS OR COMMENTS ABOUT THIS OR ANY DEWALT TOOL,
CALL US TOLL FREE AT:
1-800-4-DEWALT (1-800-433-9258)

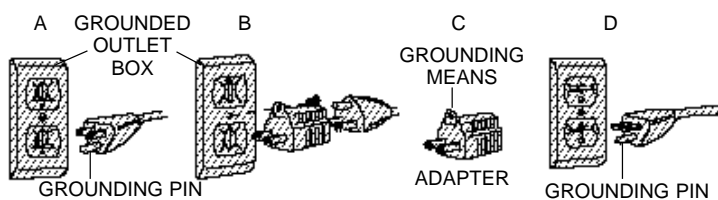
Important Safety Instructions

⚠ WARNING: When using electric tools, basic safety precautions should always be followed to reduce risk of fire, electric shock, and personal injury, including the following:

READ ALL INSTRUCTIONS

Grounding Instructions (DW880, DW882, DW888)

This tool should be grounded while in use to protect the operator from electric shock. The tool is equipped with a 3-conductor cord and 3-prong grounding type plug to fit the proper grounding type receptacle. The green (or green and yellow) conductor in the cord is the grounding wire. Never connect the green (or green and yellow) wire to a live terminal. If your unit is intended for use on less than 150 V, it has a plug that looks like that shown in sketch A. If it is for use on 150 to 250 V, it has a plug that looks like that shown in sketch D. An adapter, sketches B and C, is available for connecting sketch A type plugs to 2-prong receptacles. The green-colored rigid ear, lug, or the like, extending from the adapter must be connected to a permanent ground, such as a properly grounded outlet box. No adapter is available for a plug as shown in sketch D. ADAPTER SHOWN IN FIGURES B and C IS NOT FOR USE IN CANADA.



Double Insulation (DW887)

Double insulated tools are constructed throughout with two separate layers of electrical insulation or one double thickness of insulation between you and the tool's electrical system. Tools built with this insulation system are not intended to be grounded. As a result, your tool is equipped with a two prong plug which permits you to use extension cords without concern for maintaining a ground connection.

NOTE: Double insulation does not take the place of normal safety precautions when operating this tool. The insulation system is for added protection against injury resulting from a possible electrical insulation failure within the tool.

⚠ CAUTION: WHEN SERVICING USE ONLY IDENTICAL REPLACEMENT PARTS. Repair or replace damaged cords.

Polarized Plugs (DW887)

Polarized plugs (one blade is wider than the other) are used on equipment to reduce the risk of electric shock. When provided, this plug will fit in the polarized outlet only one way. If the plug does not fit fully into the outlet, reverse the plug. If it still does not fit, contact a qualified electrician to install the proper outlet. Do not change the plug in any way.

Safety Instructions For All Tools

- **KEEP WORK AREA CLEAN.** Cluttered areas and benches invite injuries.
- **CONSIDER WORK AREA ENVIRONMENT.** Don't expose power tools to rain. Don't use power tools in damp or wet locations. Keep work area well lit. Do not use tool in presence of flammable liquids or gases.
- **GUARD AGAINST ELECTRIC SHOCK.** Prevent body contact with grounded surfaces. For

example; pipes, radiators, ranges, and refrigerator enclosures.

- **KEEP CHILDREN AWAY.** Do not let visitors contact tool or extension cord. All visitors should be kept away from work area.
- **STORE IDLE TOOLS.** When not in use, tools should be stored in dry, and high or locked-up place — out of reach of children.
- **DON'T FORCE TOOL.** It will do the job better and safer at the rate for which it was intended.
- **USE RIGHT TOOL.** Don't force small tool or attachment to do the job of a heavy-duty tool. Don't use tool for purpose not intended.
- **DRESS PROPERLY.** Do not wear loose clothing or jewelry. They can be caught in moving parts. Rubber gloves and non-skid footwear are recommended when working outdoors. Wear protective hair covering to contain long hair.
- **USE SAFETY GLASSES.** Also use face or dust mask if operation is dusty.
- **DON'T ABUSE CORD.** Never carry tool by cord or yank it to disconnect from receptacle. Keep cord from heat, oil, and sharp edges.
- **SECURE WORK.** Use clamps or a vise to hold work. It's safer than using your hand and it frees both hands to operate tool.
- **DON'T OVERREACH.** Keep proper footing and balance at all times.
- **MAINTAIN TOOLS WITH CARE.** Keep tools sharp and clean for better and safer performance. Follow instructions for lubricating and changing accessories. Inspect tool cords periodically and if damaged, have repaired by authorized service facility. Inspect extension cords periodically and replace if damaged. Keep handles dry, clean, and free from oil and grease.
- **DISCONNECT OR LOCK OFF TOOLS** when not in use, before servicing, and when changing accessories, such as blades, bits, cutters.
- **REMOVE ADJUSTING KEYS AND WRENCHES.** Form habit of checking to see that keys and adjusting wrenches are removed from tool before turning it on.
- **AVOID UNINTENTIONAL STARTING.** Don't carry tool with finger on switch. Be sure switch is off when plugging in.
- **EXTENSION CORDS.** Make sure your extension cord is in good condition. When using an extension cord, be sure to use one heavy enough to carry the current your product will draw. An undersized cord will cause a drop in line voltage resulting in loss of power and overheating. The following table shows the correct size to use depending on cord length and nameplate ampere rating. If in doubt, use the next heavier gage. The smaller the gage number, the heavier the cord.

Recommended Minimum Wire Size for Extension Cords

| Total Length of Cord | 25 ft. | 50 ft. | 75 ft. | 100 ft. | 125 ft. | 150 ft. | 175 ft. |
|----------------------|--------|--------|--------|---------|---------|---------|---------|
| | 25 ft. | 50 ft. | 75 ft. | 100 ft. | 125 ft. | 150 ft. | 175 ft. |
| | 7.6 m | 15.2 m | 22.9 m | 30.5 m | 38.1 m | 45.7 m | 53.3 m |

| Wire Size | 18 AWG | 18 AWG | 16 AWG | 16 AWG | 14 AWG | 14 AWG | 12 AWG |
|-----------|--------|--------|--------|--------|--------|--------|--------|
| | 18 AWG | 18 AWG | 16 AWG | 16 AWG | 14 AWG | 14 AWG | 12 AWG |

- **OUTDOOR USE EXTENSION CORDS.** When tool is used outdoors, use only extension cords intended for use outdoors and so marked.
- **STAY ALERT.** Watch what you are doing. Use common sense. Do not operate tool when you are tired.
- **CHECK DAMAGED PARTS.** Before further use of the tool, a guard or other part that is damaged should be carefully checked to determine that it will operate properly and perform its intended function. Check for alignment of moving parts, binding of moving parts, breakage of parts, mounting, and any other conditions that may affect its operation. A guard or other part that is damaged should be properly repaired or replaced by an authorized service center unless otherwise indicated elsewhere in this instruction manual. Have defective switches replaced by authorized service center. Do not use tool if switch does not turn it on and off.

Additional Safety Instructions for Grinders

- **ALWAYS WEAR EYE PROTECTION.**
- **KEEP GUARDS IN PLACE.**
- Use only grinding wheels having a maximum operating speed at least high as "No Load RPM" marked on the tool's nameplate.
- Before using, inspect recommended accessory for cracks or flaws. If such a crack or flaw is evident, discard the accessory. The accessory should also be inspected whenever you think the tool may have been dropped.
- When starting the tool (with a new or replacement wheel installed) hold the tool in a well protected area and let it run for one minute. If the wheel has an undetected crack or flaw, it should burst in less than one minute. Never start the tool with a person in line with the wheel. This includes the operator.
- In operation, avoid bouncing the wheel or giving it rough treatment. If this occurs, stop the tool and inspect the wheel.
- **ALWAYS USE GUARDS** with depressed center wheels or flaring cup grinding wheels.
- Clean your tool out periodically.

⚠ WARNING: Some dust created by power sanding, sawing, grinding, drilling, and other construction activities contains chemicals known to cause cancer, birth defects or other reproductive harm. Some examples of these chemicals are:

- lead from lead-based paints,
- crystalline silica from bricks and cement and other masonry products, and
- arsenic and chromium from chemically-treated lumber (CCA).

Your risk from these exposures varies, depending on how often you do this type of work. To reduce your exposure to these chemicals: work in a well ventilated area, and work with approved safety equipment, such as those dust masks that are specially designed to filter out microscopic particles.

SAVE THESE INSTRUCTIONS

Motor

Your DEWALT tool is powered by a DEWALT built motor. Be sure your power supply agrees with the nameplate marking. Voltage decrease of more than 10% will cause loss of power and overheating. All DEWALT tools are factory tested; if this tool does not operate, check the power supply.

Trigger Switch

(Figure 2) Depressing the trigger switch turns the tool on. Releasing it turns the tool off. To lock the switch on, depress the trigger fully, press and hold in the locking button, and release the trigger switch. Release the locking button and tool will stay on. To turn the tool off, depress and release the trigger switch.

Operation

To install grinding wheels:

1. TURN OFF TOOL AND DISCONNECT FROM POWER SUPPLY.
2. Remove or unlatch and pivot away wheel guard cover.
3. Remove mounting nut by turning it counterclockwise (when facing outer side of wheel). The spindle can be held stationary by:
 - a. inserting and holding a suitable pin in one of the holes provided in the spindle collar, next to the inward side of the wheel (5" and 6" straight grinders).
 - b. holding a wrench on the flats provided on the exposed portion of the spindle (2 1/2" straight grinder).
4. When installing the new grinding wheel, always use blotters between the wheel and each surface it contacts (all grinders). For 5" and 6" straight grinders, use the clamp washers, supplied with tool, on either side of the grinding wheel.
5. Only tighten arbor nut sufficiently to drive the wheel without slippage.
6. Be sure to replace guard end cover.
7. When starting the tool (with a new or replacement wheel installed) hold the tool in a well protected area. If the wheel has an undetected crack or flaw, it should burst in less than one minute. Never start tool with a person in line with the wheel. This includes the opera-

tor.

CAUTION: Grasp tool firmly with both hands before starting tool.

Put the work in a vise or clamp it securely. Use a face mask over the nose and mouth if the operation raises dust. Treat the wheel with respect... do not jam the wheel into the work or use unnecessary pressure. Grind only on the face of the wheel (Figure 3), unless you have a special wheel specifically make to permit grinding on the side of the wheel.

Cleaning

Blowing dust and grit out of the motor housing using compressed air is a necessary regular maintenance procedure. Dust and grit containing particles from metal filing often accumulate on interior surfaces and could create an electrical shock hazard if not frequently cleaned out.

CAUTION: Never use solvents or other harsh chemicals for cleaning the non-metallic parts of the tool. Use clean, dry rag only.

Lubrication

DEWALT tools are properly lubricated at the factory and are ready for use. Tools should be relubricated every sixty days to six months depending on usage. Tools constantly used on production or heavy-duty jobs and tools exposed to heat may require more frequent lubrication. This lubrication should only be performed by DEWALT repair technicians.

Motor Brushes

(For tools with external brush caps)

Be sure tool is unplugged before inspecting brushes. Carbon brushes should be regularly inspected for wear. To inspect brushes, unscrew the plastic brush inspection caps (located in the sides of the motor housing) and the spring and brush assemblies may be withdrawn from the tool.

Keep brushes clean and sliding freely in their guides. Carbon brushes have varying symbols stamped into them, and if the brush is worn down to the line closest to the spring, they must be replaced. New brush assemblies are available at your local service center.

Accessories

Recommended accessories for use with your tool are available at extra cost from your distributor or local service center.

CAUTION: The use of any non-recommended accessory may be hazardous.

ACCESSORIES FOR 5" & 6" STRAIGHT GRINDERS

Cotton Buffing Wheels
Grinding Wheels (Use guard supplied with tool)

ACCESSORY FOR DIE GRINDERS

Mounted Stones & Points

WARNING: To reduce the risk of injury, always use proper guards when grinding and wear eye protection.

Important

To assure product SAFETY and RELIABILITY, repairs, maintenance and adjustment (including brush inspection and replacement) should be performed by authorized service centers or other qualified service organizations, always using identical replacement parts.

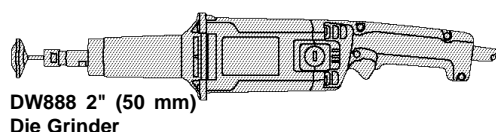
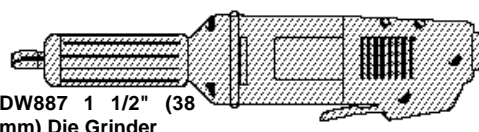
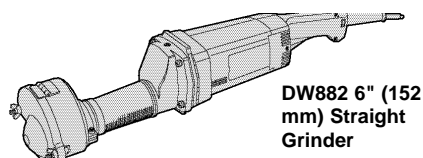
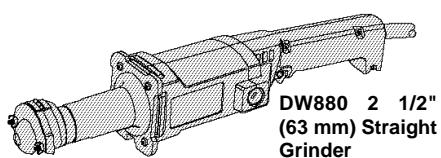
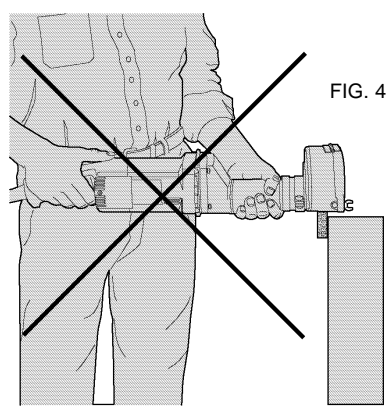
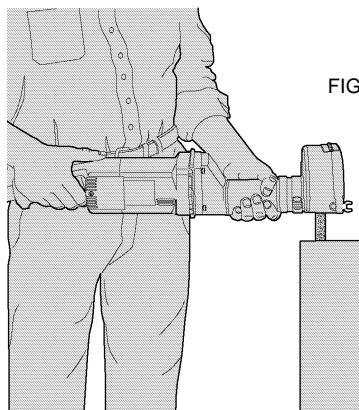
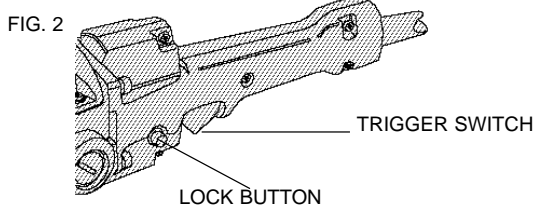
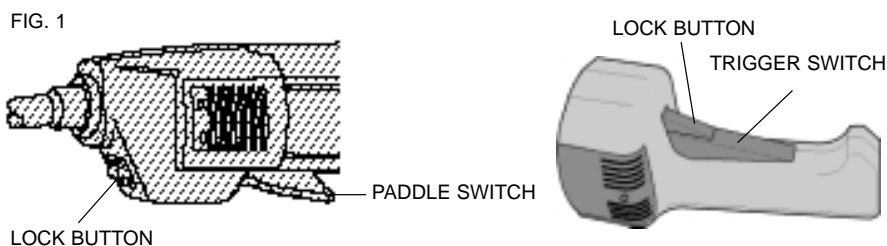
Full Warranty

DEWALT heavy duty industrial tools are warranted for one year from date of purchase. We will repair, without charge, any defects due to faulty materials or workmanship. For warranty repair information, call 1-800-4-DEWALT. This warranty does not apply to accessories or damage caused where repairs have been made or attempted by others. This warranty gives you specific legal rights and you may have other rights which vary in certain states or provinces.

In addition to the warranty, DEWALT tools are covered by our:

30 DAY NO RISK SATISFACTION GUARANTEE

If you are not completely satisfied with the performance of your DEWALT heavy duty industrial tool, simply return it to the participating seller within 30 days for a full refund. Please return the complete unit, transportation prepaid. Proof of purchase may be required.



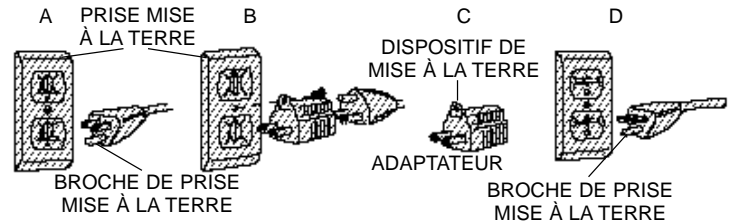
Importantes mesures de sécurité

AVERTISSEMENT : Afin de réduire les risques d'incendie, de secousses électriques ou de blessures lorsqu'on utilise des outils électriques, il faut toujours respecter les mesures de sécurité suivantes.

LIRE TOUTES LES DIRECTIVES.

Mise à la terre (Modèles DW880, DW882, DW888)

L'outil devrait être mis à la terre lors de son utilisation afin de protéger l'utilisateur contre les risques de secousses électriques. L'outil est doté d'un cordon trifilaire et d'une fiche à trois broches de type mis à la terre qui s'insère dans une prise mise à la terre. Le conducteur vert (ou vert et jaune) du cordon est le fil de mise à la terre. Ne jamais raccorder le fil vert (ou vert et jaune) à une borne sous tension. Lorsque l'outil est conçu pour recevoir une alimentation de moins de 150 volts, il est doté d'une fiche semblable à celle illustrée à la figure A. Lorsque l'outil est conçu pour recevoir une alimentation variant entre 150 et 250 volts, il est doté d'une fiche semblable à celle illustrée à la figure D. On peut se procurer un adaptateur (fig. B et C) pour brancher une fiche semblable à celle de la figure A dans des prises à deux orifices. Il faut alors relier la tige, la cosse ou le dispositif similaire de couleur verte à une mise à la terre permanente (comme une prise bien mise à la terre). Il n'y a pas d'adaptateur pour la fiche illustrée à la figure D. L'adaptateur illustré aux figures B et C ne peut pas être utilisé au Canada. Utiliser seulement des cordons de rallonge trifilaires qui acceptent des fiches à 3 broches et des prises à 3 orifices qui acceptent la fiche de l'outil. Remplacer ou réparer les cordons endommagés.



Double isolation (Modèle 887)

Les outils à double isolation comportent deux couches distinctes d'isolant électrique ou une double épaisseur d'isolant qui protègent l'utilisateur contre les risques de blessures provenant du système électrique de l'outil. Ce système de double isolation élimine le besoin de mettre les outils à la terre. En effet, l'outil est muni d'une fiche à deux broches, ce qui permet d'utiliser une rallonge ordinaire sans avoir à se soucier d'assurer la mise à la terre.

NOTE : La double isolation ne dispense pas des mesures de sécurité normales lors de l'utilisation de l'outil. Elle vise à procurer une protection supplémentaire contre les blessures que peut entraîner une défectuosité de l'isolant électrique à l'intérieur de l'outil.

MISE EN GARDE : LORS DE L'ENTRETIEN, N'UTILISER QUE DES PIÈCES DE RECHANGE IDENTIQUES. Réparer ou remplacer les cordons endommagés.

Fiche polarisée (Modèle 887)

Afin de réduire les risques de secousses électriques, l'outil est muni d'une fiche polarisée (une lame plus large que l'autre). Ce genre de fiche n'entre que d'une façon dans une prise polarisée. Lorsqu'on ne peut insérer la fiche à fond dans la prise, il faut tenter de le faire après avoir inversé les lames de côté. Si la fiche n'entre toujours pas dans la prise, il faut communiquer avec un électricien certifié. Il ne faut en aucun cas modifier la fiche.

Mesures de sécurité pour tous les outils

- **BIEN DÉGAGER LA SURFACE DE TRAVAIL.** Des surfaces et des établis encombrés peuvent être la cause de blessures.
- **TENIR COMPTE DU MILIEU DE TRAVAIL.** Protéger les outils électriques de la pluie. Ne pas s'en servir dans des endroits humides ou mouillés. Bien éclairer la surface de travail. Ne pas se servir de l'outil en présence de liquides ou de vapeurs inflammables.
- **SE PROTÉGER CONTRE LES SECOUSSES ÉLECTRIQUES.** Éviter tout contact avec des objets mis à la terre, comme des tuyaux, radiateurs, cuisinières, réfrigérateurs et autres objets du genre.
- **ÉLOIGNER LES ENFANTS.** Tous les visiteurs doivent être tenus à l'écart de l'aire de travail et il faut les empêcher de toucher à l'outil ou au cordon de rallonge.
- **RANGER LES OUTILS INUTILISÉS.** Il faut ranger les outils dans un endroit sec, situé en hauteur ou fermé à clé, hors de la portée des enfants.
- **NE JAMAIS FORCER L'OUTIL.** Afin d'obtenir un rendement sûr et efficace, utiliser l'outil à son rendement nominal.
- **UTILISER L'OUTIL APPROPRIÉ.** Ne jamais exiger d'un petit outil ou d'un accessoire le rendement d'un outil de fabrication plus robuste. Se servir de l'outil selon l'usage prévu.
- **PORTER DES VÊTEMENTS APPROPRIÉS.** Éviter de porter des vêtements amples et des bijoux qui peuvent être happés par les pièces en mouvement. Porter des gants de caoutchouc et des chaussures à semelle antidérapante pour travailler à l'extérieur. Protéger la chevelure si elle est longue.
- **PORTER DES LUNETTES DE SÉCURITÉ.** Porter également un masque respiratoire si le travail de coupe produit de la poussière.
- **NE PAS MANIPULER LE CORDON DE FAÇON ABUSIVE.** Ne pas transporter l'outil par le cordon ni tirer sur ce dernier pour le débrancher de la prise. Éloigner le cordon des sources de chaleur, des flaques d'huile et des arêtes tranchantes.
- **ASSUJETIR LA PIÈCE.** Immobiliser la pièce à l'aide de brides ou d'un étau. On peut alors se servir des deux mains pour faire fonctionner l'outil, ce qui est plus sûr.
- **NE PAS DÉPASSER SA PORTÉE.** Toujours demeurer dans une position stable et garder son équilibre.
- **PRENDRE SOIN DES OUTILS.** Conserver les outils propres pour qu'ils donnent un rendement supérieur et sûr. Suivre les directives concernant la lubrification et le remplacement des accessoires. Inspecter régulièrement le cordon de l'outil et le faire réparer au besoin à un atelier d'entretien autorisé. Inspecter régulièrement les cordons de rallonge et les remplacer lorsqu'ils sont endommagés. S'assurer que les poignées sont toujours propres, sèches et libres de toute tache d'huile ou de graisse.
- **DÉBRANCHER OU VERROUILLER EN POSITION HORS TENSION LES OUTILS NON UTILISÉS.** Respecter cette mesure lorsqu'on ne se sert pas de l'outil, ou qu'on doit le réparer ou en changer un accessoire (comme une lame, un foret ou un couteau).
- **ENLEVER LES CLÉS DE RÉGLAGE.** Prendre l'habitude de vérifier si les clés de réglage ont été retirées avant de faire démarrer l'outil.
- **ÉVITER LES DÉMARRAGES ACCIDENTELS.** Ne pas laisser le doigt sur l'interrupteur lorsqu'on transporte l'outil. S'assurer que l'interrupteur est à la position hors circuit lorsqu'on branche l'outil.
- **CORDONS DE RALLONGE.** S'assurer que le cordon de rallonge est en bon état. Lorsqu'on se sert d'un cordon de rallonge, s'assurer qu'il est de calibre approprié pour la tension nécessaire au fonctionnement de l'outil. L'utilisation d'un cordon de calibre inférieur occasionne une baisse de tension entraînant une perte de puissance et la surchauffe. Le tableau suivant indique le calibre approprié selon la longueur du cordon et les mentions de la plaque signalétique de l'outil. En cas de doute, utiliser un cordon de calibre supérieur. Le chiffre indiquant le calibre est inversement proportionnel au calibre du cordon.

Calibre minimal des cordons de rallonge

| Longueur totale du cordon | | 25 ft. | 50 ft. | 75 ft. | 100 ft. | 125 ft. | 150 ft. | 175 ft. |
|---------------------------|--|--------|--------|--------|---------|---------|---------|---------|
| | | 7,6 m | 15,2 m | 22,9 m | 30,5 m | 38,1 m | 45,7 m | 53,3 m |

Intensité

| 18 AWG | 18 AWG | 16 AWG | 16 AWG | 14 AWG | 14 AWG | 12 AWG |
|--------|--------|--------|--------|--------|--------|--------|
|--------|--------|--------|--------|--------|--------|--------|

- **CORDONS DE RALLONGE PRÉVUS POUR L'EXTÉRIEUR.** Lorsque l'outil est utilisé à l'extérieur, ne se servir que d'un cordon de rallonge conçu pour l'extérieur et portant la mention appropriée.
- **DEMEURER VIGILANT.** Travailler avec vigilance et faire preuve de bon sens. Ne pas se servir de l'outil lorsqu'on est fatigué.
- **VÉRIFIER LES PIÈCES ENDOMMAGÉES.** Avant de continuer à utiliser l'outil, il faut vérifier si le protecteur ou toute autre pièce endommagée remplit bien la fonction pour laquelle il a été prévu. Vérifier l'alignement et les attaches des pièces mobiles, le degré d'usure des pièces et leur montage, ainsi que tout autre facteur susceptible de nuire au bon fonction-

nement de l'outil. Faire réparer ou remplacer tout protecteur ou toute autre pièce endommagée dans un centre de service autorisé, sauf si le présent guide fait mention d'un avis contraire. Confier le remplacement de tout interrupteur défectueux à un centre de service autorisé. Ne jamais se servir d'un outil dont l'interrupteur est défectueux.

Mesures de sécurité additionnelles relatives aux rectifieuses

- **TOUJOURS PORTER DES LUNETTES DE SÉCURITÉ.**
- **S'ASSURER QUE LES PROTECTEURS SONT EN PLACE.**
- Utiliser seulement des meules dont le régime maximal équivaut au moins au régime à vide indiqué sur la plaque signalétique de l'outil.
- Avant de s'en servir, vérifier si les accessoires recommandés ne renferment aucune fêlure ni défaut. Le cas échéant, jeter l'accessoire. Il faut également inspecter l'accessoire lorsque l'outil est tombé.
- Au moment du démarrage (après avoir installé une nouvelle meule), saisir l'outil dans un endroit bien protégé et le laisser fonctionner pendant une minute. Si la meule renferme une fêlure ou un défaut non décelé, elle éclatera en moins de une minute. Ne jamais mettre l'outil en marche lorsqu'une personne se trouve dans la trajectoire de la meule. Cette mesure vaut également pour l'utilisateur.
- Pendant les travaux, éviter de faire sauter la meule ou de la maltraiter. Le cas échéant, arrêter l'outil et inspecter la meule.
- **TOUJOURS UTILISER DES PROTECTEURS** avec des meules à moyeu creux ou des meules boisseau coniques.
- Nettoyer l'outil régulièrement.

⚠ **AVERTISSEMENT** : Certains outils, tels que les sableuses électriques, les scies, les meules, les perceuses ou certains autres outils de construction, peuvent soulever de la poussière contenant des produits chimiques susceptibles d'entraîner le cancer, des malformations congénitales ou pouvant être nocifs pour le système reproductif. Parmi ces produits chimiques, on retrouve :

- le plomb dans les peintures à base de plomb;
- la silice cristalline dans les briques et le ciment et autres produits de maçonnerie;
- l'arsenic et le chrome dans le bois de sciage ayant subi un traitement chimique (CCA).

Le risque associé à de telles expositions peut varier selon la fréquence avec laquelle on effectue ces travaux. Pour réduire l'exposition à de tels produits, il faut travailler dans un endroit bien ventilé et utiliser l'équipement de sécurité approprié tel un masque anti-poussières spécialement conçu pour filtrer les particules microscopiques.

CONSERVER CES MESURES.

Moteur

Un moteur DEWALT entraîne l'outil DEWALT. Veiller à ce que la tension d'alimentation soit conforme aux exigences de la plaque signalétique de l'outil. Une baisse de tension de plus de 10 p. 100 peut entraîner une perte de puissance et la surchauffe. Tous les outils DEWALT sont essayés avant de quitter l'usine. Lorsque celui-ci refuse de fonctionner, vérifier la source de courant électrique.

Interrupteur à détente

(Figure 2) On actionne l'outil en enfonceant l'interrupteur à détente. On l'arrête en relâchant l'interrupteur à détente. Pour verrouiller l'interrupteur en mode de fonctionnement, enfoncer la détente à fond, enfoncer le bouton de verrouillage et le maintenir enfoncé, puis relâcher la détente.

Fonctionnement

Faire ce qui suit pour installer une meule.

1. METTRE L'OUTIL HORS TENSION ET LE DÉBRANCHER.
2. Retirer le couvercle du protecteur ou le déverrouiller et l'éloigner de l'outil.
3. Retirer l'écrou de montage en le faisant tourner dans le sens antihoraire (lorsqu'on regarde le côté extérieur de la meule). Faire ce qui suit pour bloquer l'arbre.
 - a. Insérer une tige appropriée dans l'un des trous du collet de l'arbre (près du côté intérieur de la meule dans le cas des rectifieuses de 127 mm (5 po) et de 152 mm (6 po)) et la tenir.
 - b. Placer une clé sur les surfaces plates de la portion à découvert de l'arbre (rectifieuse de 64 mm (2 1/2 po)).
4. Lorsqu'on installe la nouvelle meule, toujours placer un tampon entre la meule et chaque surface qu'elle touche (pour tous les modèles). Dans le cas des rectifieuses de 127 mm (5 po) et de 152 mm (6 po), se servir des rondelles de blocage fournies de chaque côté de la meule.
5. Serrer l'écrou de l'arbre seulement de sorte que la meule puisse tourner sans déraper.
6. Ne pas oublier de remettre le couvercle du protecteur en place.
7. Lorsqu'on démarre l'outil (avec une nouvelle meule ou après avoir installé une meule de rechange), le saisir dans une zone bien protégée. Si la meule comporte une fêlure ou un défaut caché, elle éclatera en moins de une minute. Ne jamais démarrer l'outil lorsqu'une personne (y compris l'utilisateur) se trouve devant la meule.

⚠ **MISE EN GARDE** : Saisir l'outil fermement des deux mains avant de l'actionner.

Placer la pièce à ouvrir dans un étau ou le fixer fermement. Porter un masque respiratoire couvrant le nez et la bouche lorsque le travail génère de la poussière. Manipuler la meule avec soin. Ne pas la bloquer dans la pièce ni y exercer une pression excessive. Se servir seulement de la face de la meule (fig. 3), sauf lorsque la meule est spéciale et qu'on peut se servir des côtés de la meule.

Nettoyage

Il faut souffler de l'air régulièrement dans le carter du moteur afin d'en chasser la poussière et les corps étrangers. De la poussière et les corps étrangers renfermant des particules provenant du meulage de métaux s'accumulent souvent sur les surfaces intérieures de l'outil. Ces particules présentent un risque de secousses électriques si on ne les nettoie pas fréquemment.

⚠ **MISE EN GARDE** : Ne jamais utiliser de solvants ni tout autre produit chimique pour nettoyer les pièces non métalliques de l'outil. Utiliser seulement un chiffon propre et sec.

Lubrification

L'outil DEWALT a été lubrifié en usine et il est prêt à servir. Il faut le lubrifier au bout de soixante jours à six mois, selon l'utilisation qui en a été faite. Les outils constamment utilisés et ceux exposés à la chaleur peuvent nécessiter une lubrification plus fréquente. Il faut confier la lubrification au personnel d'un centre de service ou d'un atelier d'entretien autorisé.

Balais du moteur

(Pour les outils dotés d'un couvercle d'inspection des balais)

S'assurer que l'outil est débrancher avant d'inspecter les balais. Il faut vérifier régulièrement l'usure des balais de carbone. Pour ce faire, dévisser les couvercles en plastique d'inspection des balais (qui se trouvent sur les côtés du carter du moteur) et retirer les balais et les ressorts.

S'assurer que les balais sont propres et qu'ils glissent bien dans leurs guides. Différents symboles sont inscrits sur les côtés des balais de carbone. Lorsque le balai est usé jusqu'à la ligne la plus près du ressort, il faut le remplacer. On peut se procurer des balais de rechange au centre de service de la région.

Accessoires

Les accessoires recommandés pour l'outil sont vendus séparément chez le distributeur ou au centre de service de la région.

⚠ **MISE EN GARDE** : L'utilisation de tout accessoire non recommandé peut être dangereuse.

ACCESSOIRES POUR RECTIFIEUSES DE 127 MM (5 PO) ET DE 152 MM (6 PO)

Meules à polir en coton

Meules (Utiliser le protecteur fourni avec l'outil.)

ACCESSOIRES DE FRAISEUSES POUR MATRICES

Pierres et meules sur tige

⚠ **AVERTISSEMENT** : Afin de minimiser les risques de blessures, toujours utiliser les protecteurs appropriés et porter des lunettes de sécurité lors du meulage.

Important

Pour assurer la SÉCURITÉ D'EMPLOI et la FIABILITÉ de l'outil, n'en confier la réparation, l'entretien et les ajustements (y compris l'inspection des balais) qu'à un centre de service ou à un atelier d'entretien autorisé n'utilisant que des pièces de rechange identiques.

Garantie complète

Les outils industriels de service intensif DEWALT sont garantis pendant un an à partir de la date d'achat. Toute pièce d'un outil DEWALT qui s'avérerait défectueuse en raison d'un vice de matière ou de fabrication sera réparée sans frais. Pour obtenir de plus amples renseignements sur les réparations couvertes para garantie, composer le 1 (800) 4-DEWALT. Il suffit de retourner l'outil complet à un centre de service DEWALT. La présente garantie ne couvre pas les accessoires ni les avaries dues aux réparations tentées ou effectuées par des tiers. Les modalités de la présente garantie donnent des droits légaux spécifiques. L'utilisateur peut également se prévaloir d'autres droits selon l'état ou la province qu'il habite.

En outre, la garantie suivante couvre les outils DEWALT.

GARANTIE DE SATISFACTION DE 30 JOURS OU ARGENT REMIS

Si, pour quelque raison que ce soit, l'outil ne donne pas entière satisfaction, il suffit de le retourner où il a été acheté dans les 30 jours suivant la date d'achat afin d'obtenir un remboursement intégral. Prière de retourner l'outil complet port payé. Une preuve d'achat peut être requise.

Instrucciones importantes de seguridad

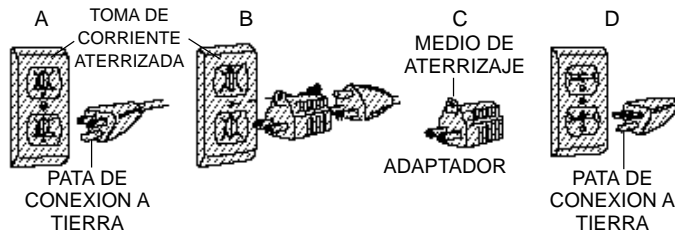
⚠ **ADVERTENCIA**: Es indispensable sujetarse a las precauciones básicas de seguridad, con la finalidad de reducir el peligro de incendio, choque eléctrico y lesiones personales, en todas las ocasiones en que se utilicen herramientas eléctricas. Entre estas precauciones se incluyen la siguientes:

LEA TODAS LAS INSTRUCCIONES

Instrucciones de aterrizaje (DW880, DW882, DW888)

Esta herramienta debe conectarse a tierra para proteger al operador de choques eléctricos. Esta unidad está equipada con un cordón eléctrico de tres hilos aprobado y una clavija para aterrizaje de tres patas para conectarse a la toma de corriente adecuada. El conductor verde (o verde y amarillo) es el cable de tierra. Nunca conecte el cable verde (o verde y amarillo) a una terminal viva. Si su unidad está hecha para funcionar con menos de 150 volts, tiene una clavija similar a la que se muestra en la figura A. Si es para usarse con corriente de 150 a 250 volts, tiene una clavija como la que se muestra en la figura D. Hay adaptadores, figuras B y C, para conectar clavijas del tipo de la figura A a tomas de corriente para dos patas. La oreja de color verde deberá conectarse a tierra permanente, tal como una toma de corriente aterrizada adecuadamente. No hay adaptadores para clavijas como la de la figura D. EL ADAPTADOR MOSTRADO EN LAS FIGURAS B Y C NO ESTA HECHO PARA USARSE EN CANADA. Únicamente utilice cordones de extensión que tengan clavijas de tres patas y tomas de corriente de tres ranuras que acepten estas clavijas. Reemplace o repare los cordones eléctricos dañados.

⚠ **ADVERTENCIA**: La conexión incorrecta del conductor a tierra de este equipo puede originar riesgos de choque eléctrico. Pregunte a un electricista calificado si tiene dudas acerca de la conexión a tierra de su equipo. No modifique la clavija proporcionada con la herramienta. Si no se ajusta a su toma de corriente, haga que un electricista calificado le instale una que sea adecuada.



Doble aislamiento (DW877)

Las herramientas con doble aislamiento se han elaborado de manera integral con dos capas separadas o una capa de espesor doble de aislamiento eléctrico entre usted y el sistema eléctrico que contienen. Las herramientas elaboradas con este sistema de aislamiento no requieren conectarse a tierra. Como resultado, su unidad esta equipada con una clavija de dos patas que le permite emplear cordones de extensión sin preocuparse por tener una conexión a tierra.

NOTA: El doble aislamiento no sustituye a las precauciones normales de seguridad cuando se opera esta herramienta. La finalidad de este sistema de aislamiento es ofrecer a usted protección añadida contra la lesión resultante de fallas en el aislamiento eléctrico interno de la herramienta.

⚠ **PRECAUCION**: UTILICE SOLAMENTE REFACCIONES ORIGINALES CUANDO HAGA SERVICIO A SU HERRAMIENTA. Reemplace los cordones eléctricos dañados.

Clavijas polarizadas (DW887)

Se emplean clavijas polarizadas (con una pata más ancha que la otra) para reducir los riesgos de choque eléctrico. Cuando el cordón eléctrico cuente con este tipo de clavija, ajustará en un contacto polarizado solamente de una manera. Si la clavija no ajusta completamente en su contacto, inviértala. Si aún así no ajusta, llame a un electricista calificado para que le instale un contacto polarizado apropiado. No modifique o haga cambios en la clavija por ningún motivo.

Instrucciones de seguridad para todas las herramientas

- **CONSERVE LIMPIA LA ZONA DE TRABAJO.** Las superficies y los bancos con objetos acumulados en desorden propician los accidentes.
- **OTORGUE PRIORIDAD A LA ZONA DE TRABAJO.** No deje las herramientas eléctricas expuestas a la lluvia. No las utilice en lugares inundados o mojados. Conserve bien iluminada la zona de trabajo. No utilice la herramienta en presencia de líquidos o gases inflamables.
- **PROTEJASE CONTRA EL CHOQUE ELECTRICO.** Evite el contacto corporal con superficies aterrizadas, por ejemplo, tuberías, radiadores, antenas y gabinetes de refrigeración.
- **CONSERVE APARTADOS A LOS NIÑOS.** No permita que los visitantes toquen las herramientas o los cables de extensión. Todos los visitantes deben estar alejados de la zona de trabajo.
- **GUARDE LAS HERRAMIENTAS QUE NO EMPLEE.** Las herramientas que no se utilizan deben guardarse en un lugar seco y elevado o bajo llave — fuera del alcance de los niños.
- **NO FUERCE LA HERRAMIENTA.** Esta cumplirá su función mejor y con más seguridad a la velocidad y la presión para las que se diseñó.
- **EMPLEE LA HERRAMIENTA ADECUADA.** No fuerce a una herramienta pequeña o a sus dispositivos de montaje en un trabajo de tipo pesado. No emplee la herramienta en una tarea para la que no se diseñó.
- **VISTASE DE LA MANERA ADECUADA.** No use ropas o artículos de joyería flojos, pues podrían quedar atrapados por las partes móviles de las herramientas. Se recomienda el empleo de guantes de caucho y calzado antiderrapante cuando se trabaje al aire libre. Cúbrase bien la cabeza para sujetarse el cabello si lo tiene largo.
- **COLOQUESE ANTEOJOS DE SEGURIDAD.** Póngase también una mascarilla contra el polvo si lo produce la operación que va a efectuar.
- **TENGA CUIDADO CON EL CORDON ELECTRICO.** Nunca levante la herramienta tomándola por el cordón, ni tire de éste para desconectarlo del enchufe. Apártelo del calor y los objetos calientes, las substancias grasosas y los bordes cortantes.
- **ASEGURE LOS OBJETOS SOBRE LOS QUE TRABAJE.** Utilice prensas o tornillos de

banco para sujetar los objetos sobre los que va a trabajar. Esto ofrece mayor seguridad que sujetar los objetos con la mano, y además deja libres ambas manos para operar la herramienta.

- **CONSERVE EL EQUILIBRIO.** Conserve en todo momento bien apoyados los pies, lo mismo que el equilibrio.
- **CUIDE SUS HERRAMIENTAS.** Conserve sus herramientas afiladas y limpias para que funcionen mejor y con mayor seguridad. Siga las instrucciones para lubricación y cambio de accesorios de su unidad. Revise periódicamente el cordón eléctrico y hágalo reparar o reemplazar por un centro de servicio si está dañado. Cambie los cordones de extensión si están dañados. Conserve las empuñaduras secas, limpias y libres de aceite y grasa.
- **DESCONECTE Y APAGUE LAS HERRAMIENTAS** cuando no las use, antes de darles servicio y cuando cambie accesorios, tales como discos, brocas y otros dispositivos de corte.
- **RETIRE LAS LLAVES DE AJUSTE Y DE TUERCAS.** Adquiera el hábito de asegurarse que se han retirado las llaves de ajuste de las herramientas antes de accionarlas.
- **EVITE QUE LA HERRAMIENTA SE ACCIONE ACCIDENTALMENTE.** Nunca sostenga una herramienta que está conectada con el dedo en el interruptor. Asegúrese que el interruptor está en posición de "apagado" antes de conectar la unidad.
- **CORDONES DE EXTENSION.** Asegúrese que su cordón de extensión esté en buenas condiciones. Cuando utilice un cordón de extensión, asegúrese que tenga el calibre suficiente para soportar la corriente necesaria para su herramienta. Un cordón eléctrico con calibre insuficiente causará una caída en el voltaje de la línea, resultando en pérdida de potencia y sobrecalentamiento. La tabla siguiente ilustra el calibre correcto que debe utilizarse de conformidad con la longitud del cordón y el amperaje descrito por la placa de identificación. Si tiene alguna duda, utilice el cable con el calibre siguiente (mayor). Mientras más chico sea el número, mayor será su calibre.

Calibre mínimo requerido (AWG) para cables de extensión

| Longitud total del cable de extensión | | | | | | |
|---------------------------------------|--------|--------|---------|---------|---------|---------|
| 25 ft. | 50 ft. | 75 ft. | 100 ft. | 125 ft. | 150 ft. | 175 ft. |
| 7,6 m | 15,2 m | 22,9 m | 30,5 m | 38,1 m | 45,7 m | 53,3 m |

Calibre promedio del alambre

18 AWG 18 AWG 16 AWG 16 AWG 14 AWG 14 AWG 12 AWG

- **CORDONES DE EXTENSION PARA INTEMPERIE.** Cuando opere su herramienta a la intemperie, utilice únicamente cordones de extensión diseñados y marcados para este fin.
- **NO SE DISTRAIGA.** Concéntrese en lo que está haciendo. Recorra al sentido común. No opere ninguna herramienta si está fatigado.
- **VERIFIQUE LAS PARTES DAÑADAS.** Antes de seguir empleando cualquier herramienta, es indispensable verificar con mucho cuidado que las guardas u otras partes dañadas puedan operar de la manera adecuada para cumplir con su función. Verifique la alineación de las partes móviles, la firmeza con que deben encontrarse sujetas a sus montaduras, las partes rotas, las propias montaduras y cualesquiera otros detalles que pudieran afectar la operación de la herramienta. Las guardas y otras partes que se encuentren dañadas deberán cambiarse o repararse en un centro de servicio autorizado, a menos que se diga otra cosa en el manual del usuario. Haga que se cambien los interruptores dañados en un centro de servicio autorizado. No emplee ninguna herramienta que tenga estropeado o inutilizado el interruptor.

Instrucciones adicionales de seguridad para esmeriladoras

- **LLEVE PUESTOS SIEMPRE ANTEOJOS DE SEGURIDAD.**
- **CONSERVE LAS GUARDAS EN SU SITIO.**
- Utilice exclusivamente ruedas de esmeril que tengan indicada en la etiqueta una velocidad máxima de operación de por lo menos las "RPM" (revoluciones por minuto: No Load RPM) indicadas en la placa de identificación de la unidad. Esta precaución se aplica por igual a todo accesorio de cualquier herramienta.
- Antes de usar la herramienta, revise siempre todos los accesorios en busca de cuarteaduras o defectos. ¡Descarte de inmediato la pieza si tiene un desperfecto de esta clase! Deberá revisar, del mismo modo, la rueda cuando sospeche que la unidad ha caído o se ha golpeado.
- Al accionar la herramienta (con una rueda nueva o de reemplazo instalada), sujétela bien dentro de una zona protegida adecuadamente y déjela funcionar durante un minuto. Si la rueda tiene una cuarteadura o una hendidura inadvertidas, deberá romperse en pedazos en menos de un minuto. Nunca accione una herramienta cuando haya una persona alineada con la rueda: esto incluye al propio operador.
- Evite que la rueda opere a saltos o se maltrate mientras funciona. Si sucediera así, apague y desconecte la herramienta y revise la rueda.
- **EMPLEE SIEMPRE GUARDAS** cuando utilice discos con centro realzado o piedras de copa.
- Limpie la herramienta periódicamente.

⚠ **ADVERTENCIA** : Parte del polvo creado al lijar, aserruchar, moler o perforar con máquina, así como al realizar otras actividades de la construcción, contiene sustancias químicas que se sabe producen cáncer, defectos congénitos u otras afecciones reproductivas. Algunos ejemplos de esas sustancias químicas son:

- plomo de pinturas a base de plomo,
- sílice cristalizado de ladrillos y cemento y otros productos de albañilería, y
- arsénico y cromo de la madera químicamente tratada (CCA).

El riesgo al contacto con estas sustancias varía, según la frecuencia en que se haga este tipo de trabajo. Para reducir la exposición a esas sustancias químicas: trabaje en un área bien ventilada, y trabaje con equipos de seguridad aprobados, tales como máscaras contra el polvo especialmente diseñadas para filtrar las partículas microscópicas.

CONSERVE ESTAS INSTRUCCIONES

Motor

Su herramienta tiene un motor construido por DeWALT. Verifique que su abastecimiento de energía concuerda con lo indicado en la placa de identificación. Disminuciones en el voltaje mayores a 10% provocarán la pérdida de potencia y sobre calentamiento.

DeWALT realiza pruebas de fábrica en todas sus herramientas; si su herramienta no funciona la línea de alimentación.

Gatillo interruptor

(Figura 2) Al oprimir el gatillo interruptor se enciende la herramienta; al liberarlo, se apaga. Para asegurar el interruptor en posición de encendido, oprima a fondo el gatillo interruptor, presione y sujete el botón de encendido permanente, y a continuación libere el gatillo; libere el botón de encendido permanente y la herramienta permanecerá encendida. Para apagar la herramienta, oprima y libere el gatillo interruptor.

Operación

Para instalar las piedras de esmeril:

1. APAGUE LA HERRAMIENTA Y DESCONECTELA DE LA TOMA DE CORRIENTE.
2. Quite o suelte y desprenda la guarda del disco.
3. Retire la tuerca de montaje girándola en dirección contraria a las manecillas del reloj (cuando mira de frente al disco). La flecha se puede conservar fija al:
 - a. Insertar y mantener un perno adecuado en uno de los orificios provistos en el collar de la flecha, junto al lado interior del disco (esmeriladoras rectas de 127 mm [5"] y 152.4 mm [6"]).
 - b. Sujetando una llave en los "planos" que están en la parte expuesta de la flecha (Esmeril recto de 64 mm [2-1/2"]).
4. Cuando instale la piedra de esmeril nueva, utilice siempre papel secante entre el disco y las superficies con que haga contacto (todas las esmeriladoras). Para las esmeriladoras rectas de 127 mm y 152 mm (5" y 6"), utilice las roldanas de seguridad que vienen con la herramienta en cualquier lado del disco.
5. Únicamente apriete la tuerca de la flecha lo necesario para mover el disco sin que se patine.

6. Asegúrese de colocar de la tapa de la guarda.

7. Cuando encienda la herramienta (con un disco nuevo instalado) sujete la herramienta en un área muy bien protegida. Si el disco presenta una cuarteadura o fisura no detectada, se romperá en menos de un minuto. Nunca arranque la herramienta si se encuentra una persona frente al disco. Esto Incluye al operador.

⚠ **PRECAUCION:** Sujete la herramienta firmemente con ambas manos antes de encenderla.

Coloque la pieza de trabajo en una prensa o un tornillo de banco. Utilice protección para la nariz y boca si la operación levanta polvo. Trate el disco con cuidado... no lo presione contra el material en forma innecesaria. Trabaje únicamente con la cara del disco (figura 3), a menos que tenga un disco especial que permita el esmerilado con los lados del disco.

Limpieza

Un procedimiento necesario de mantenimiento es la eliminación de polvo y arena de la cubierta del motor con aire comprimido. El polvo y la restos metálicos se acumulan con frecuencia en las superficies interiores y pueden crear una descarga eléctrica si no se limpian frecuentemente.

⚠ **PRECAUCION:** Nunca utilice solventes no otros productos químicos agresivos para limpiar las piezas no metálicas de la herramienta. Utilice únicamente un trapo seco y limpio.

Lubricación

Las herramientas DeWALT vienen correctamente lubricadas de fábrica y están listas para usarse. Las herramientas deben lubricarse regularmente cada sesenta días a seis meses, dependiendo de su uso. Las herramientas utilizadas constantemente en trabajos de producción y las expuestas al calor pueden requerir una lubricación más frecuente. Esta lubricación debe hacerla únicamente personal técnico de las sucursales de servicio.

Carbones del motor

(Para herramientas con tapas de carbones externas)

Asegúrese de que la herramienta esté desconectada antes de revisar los carbones. Estos deben revisarse regularmente en busca de desgaste. Para revisar los carbones, destornille las tapas de plástico (localizadas a los lados de la carcasa del motor) y deben sacarse junto con sus montajes de resorte.

Conserve los carbones limpios y deslizándose libremente en las guías. Los carbones tienen diferentes símbolos estampados y si están desgastados hasta llegar a la línea más cercana al resorte, entonces deberán reemplazarse. Los carbones están a su disposición en los centros de servicio

Accesorios

Los accesorios recomendados para emplearse con su herramienta están a su disposición con costo extra con su distribuidor local o en los centros de servicio.

⚠ **PRECAUCION:** El uso de cualquier accesorio no recomendado en este manual puede ser peligroso.

ACCESORIOS PARA ESMERILADORAS RECTAS DE 127 mm (5") Y 152 mm (6")

Discos de algodón para pulir

Piedras de esmeril (Utilice la guarda suministrada con su herramienta)

ACCESORIOS PARA RECTIFICADORAS

Piedras y puntas montadas

⚠ **ADVERTENCIA:** Para disminuir el riesgo de lesiones, utilice siempre guardas cuando esmerile y protéjase los ojos.

Garantía Completa

Las herramientas industriales DeWalt están garantizadas durante un año a partir de la fecha de compra. Repararemos, sin cargos, cualquier falla debida a material o mano de obra defectuosos. Por favor regrese la unidad completa, con el transporte pagado, a cualquier Centro de Servicio para Herramientas Industriales de DeWalt o a las estaciones de servicio autorizado enlistadas bajo "Herramientas Eléctricas" en la Sección Amarilla. Esta garantía no se aplica a los accesorios ni a daños causados por reparaciones efectuadas por terceras personas. Esta garantía le otorga derechos legales específicos, y usted puede tener otros derechos que pueden variar de estado a estado.

En adición a la garantía, las herramientas DEWALT están amparadas por nuestra:

GARANTÍA DE SATISFACCIÓN SIN RIESGO POR 30 DÍAS

Si usted no se encuentra completamente satisfecho con el desempeño de su herramienta industrial DeWalt, sencillamente devuélvala a los vendedores participantes durante los primeros 30 días después de la fecha de compra para que le efectúen un reembolso completo. Por favor regrese la unidad completa, con el transporte pagado. Se puede requerir prueba de compra.

| Especificaciones (DW880, DW888) | |
|---------------------------------|-------------|
| Tensión de alimentación | 120 V CA/CD |
| Potencia nominal: | 485 W |
| Consumo de corriente: | 5,0 A |
| Frecuencia de operación: | 60 Hz |
| (DW882) | |
| Tensión de alimentación | 120 V CA/CD |
| Potencia nominal: | 1248 W |
| Consumo de corriente: | 13,0 A |
| Frecuencia de operación: | 60 Hz |
| (DW887) | |
| Tensión de alimentación | 120 V CA/CD |
| Potencia nominal: | 288 W |
| Consumo de corriente: | 3,0 A |
| Frecuencia de operación: | 60 Hz |

IMPORTADO: DeWALT S.A. DE C.V.
BOSQUES DE CIDROS ACCESO RADIATAS NO. 42
COL. BOSQUES DE LAS LOMAS.
05120 MÉXICO, D.F.
TEL. 326-7100

Para servicio y ventas consulte
"HERRAMIENTAS ELÉCTRICAS"
en la sección amarilla.

