

**INSTRUCTION MANUAL  
GUIDE D'UTILISATION  
MANUAL DE INSTRUCCIONES**

INSTRUCTIVO DE OPERACIÓN, CENTROS DE SERVICIO Y PÓLIZA DE GARANTÍA. **ADVERTENCIA:** LÉASE ESTE INSTRUCTIVO ANTES DE USAR EL PRODUCTO.

The DEWALT logo is displayed in a large, bold, black, sans-serif font. The letters are thick and blocky. A registered trademark symbol (®) is located at the bottom right of the 'T'. The logo is centered between two thick horizontal black bars, one above and one below. There are registration marks (circles with crosshairs) on the left and right sides of the logo area.

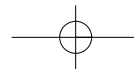
**DEWALT®**

**DW871**

**14" (355 mm) Heavy Duty Chop Saw**

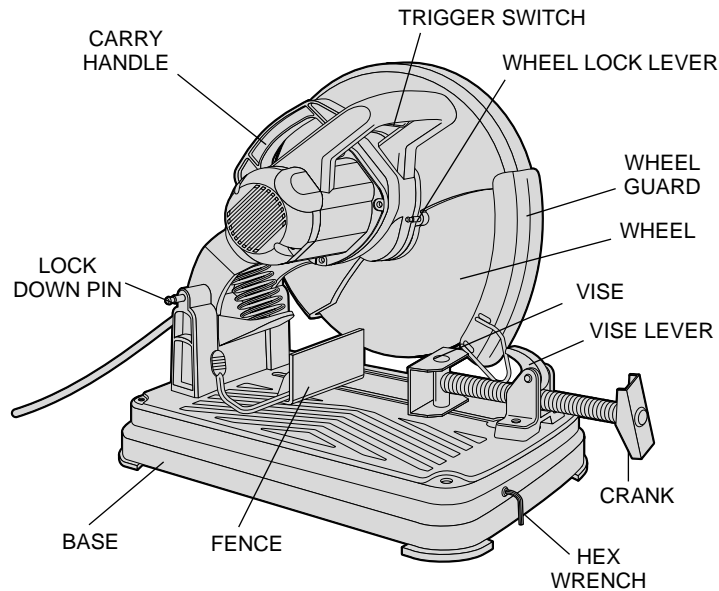
**Scie fendeuse de 355 mm (14 po) et de service intensif**

**Cortadora de metales de 355 mm (14")**



English

IF YOU HAVE ANY QUESTIONS OR COMMENTS ABOUT THIS OR ANY D<sub>E</sub>WALT TOOL, CALL US TOLL FREE AT:  
**1-800-4-D<sub>E</sub>WALT (1-800-433-9258)**



**⚠ WARNING: FOR YOUR OWN SAFETY READ INSTRUCTION MANUAL BEFORE OPERATING CHOP SAW.**

### Important Safety Instructions

**⚠ WARNING! Read and understand all instructions.** Failure to follow all instructions listed below may result in electric shock, fire and/or serious personal injury.

### SAVE THESE INSTRUCTIONS.

- **KEEP GUARDS IN PLACE** and in working order.
- **REMOVE ADJUSTING KEYS AND WRENCHES.** Form habit of checking to see that keys and adjusting wrenches are removed from tool before turning it on.
- **KEEP WORK AREA CLEAN.** Cluttered areas and benches invite injuries.
- **DON'T USE IN DANGEROUS ENVIRONMENT.** Don't use power tools in damp or wet locations, or expose them to rain. Keep work area well lighted.
- **KEEP CHILDREN AWAY.** All visitors should be kept at a safe distance from work area.
- **MAKE WORKSHOP KID PROOF** with padlocks, master switches, or by removing starter keys.
- **DON'T FORCE TOOL.** It will do the job better and safer at the rate for which it was designed.
- **USE RIGHT TOOL.** Don't force tool or attachment to do a job for which it was not designed.
- **USE PROPER EXTENSION CORD.** Make sure your extension cord is in good condition. When using an extension cord, be sure to use one heavy enough to carry the current your product will draw. An undersized cord will cause a drop in line voltage resulting in loss of power and overheating. The following table shows the correct size to use depending on cord length and nameplate ampere rating. If in doubt, use the next heavier gage. The smaller the gage number, the heavier the cord.

Volts	Minimum Gauge for Cord Sets				
	Total Length of Cord in Feet				
120V	0-25	26-50	51-100	101-150	
240V	0-50	51-100	101-200	201-300	
Ampere Rating		American Wire Gauge			
More Than	Not more Than				
0	6	18	16	16	14
6	10	18	16	14	12
10	12	16	16	14	12
12	16	14	12	Not Recommended	

- **WEAR PROPER APPAREL.** Do not wear loose clothing, neckties, rings, bracelets, or other jewelry which may get caught in moving parts. Non-slip footwear is recommended. Wear protective hair covering to contain long hair.
- **ALWAYS USE SAFETY GLASSES.** Also use face or dust mask if cutting operation is dusty. Everyday eyeglasses only have impact resistant lenses, they are NOT safety glasses.
- **SECURE WORK.** Use clamps or a vise to hold work when practical. It's safer than using your hand and it frees both hands to operate tool.
- **DON'T OVERREACH.** Keep proper footing and balance at all times.
- **MAINTAIN TOOLS WITH CARE.** Keep tools sharp and clean for best and safest performance. Follow instructions for lubricating and changing accessories.
- **DISCONNECT TOOLS** before servicing; when changing accessories, such as blades, bits, cutters, and the like.
- **REDUCE THE RISK OF UNINTENTIONAL STARTING.** Make sure switch is in off position before plugging in.
- **USE RECOMMENDED ACCESSORIES.** Consult the instruction manual for recommended accessories. The use of improper accessories may cause risk of injury to persons.
- **NEVER STAND ON TOOL.** Serious injury could occur if the tool is tipped or if the cutting tool is unintentionally contacted.
- **CHECK DAMAGED PARTS.** Before further use of the tool, a guard or other part that is damaged should be carefully checked to determine that it will operate properly and perform its intended function — check for alignment of moving parts, binding of moving parts, breakage of

parts, mounting, and any other conditions that may affect its operation. A guard or other part that is damaged should be properly repaired or replaced.

- **DIRECTION OF FEED.** Feed work into a blade or cutter against the direction of rotation of the blade or cutter only.
- **NEVER LEAVE TOOL RUNNING UNATTENDED. TURN POWER OFF.** Don't leave tool until it comes to a complete stop.
- **REPLACEMENT PARTS.** When servicing use only identical replacement parts.
- **TO REDUCE THE RISK OF ELECTRIC SHOCK,** this equipment has a polarized plug (one blade is wider than the other.) This plug will fit in a polarized outlet only one way. If the plug does not fit, contact a qualified electrician to install the proper outlet. **DO NOT CHANGE THE PLUG IN ANY WAY.**

### Additional Safety Rules for Chop Saw

- Always wear safety goggles or other eye protection when using this tool.
- Before using, inspect each cutting wheel for cracks or flaws. If a crack or flaw is evident—discard the wheel! The wheel should also be inspected whenever you think the tool may have been dropped.
- When starting the tool (with a new or replacement wheel installed) place the tool in a well protected area. If the wheel has an undetected crack or flaw, it should burst in less than one minute. Never start the tool with a person in line with the wheel. This includes the operator.
- In operation, avoid bouncing the wheel or giving it rough treatment. If this occurs, stop the tool and inspect the wheel.
- Clean your chop saw periodically following the procedure in this manual.
- Do not remove wheel guard.
- Always use the vise or special fixturing to clamp work.
- Use only 14" type 1 wheels rated at 4100 rpm or higher.
- Allow cut off parts to cool before handling.
- Do not attempt to cut wood or plastic with this tool.
- **NEVER CUT MAGNESIUM WITH THIS TOOL.**
- Use chop saw in a well-ventilated area.
- Turn chop saw off before removing any pieces from the base.
- **DO NOT CUT ELECTRICALLY LIVE MATERIAL.**

English

- **NEVER USE A CIRCULAR SAW BLADE IN THIS CHOP SAW. DO NOT USE TOOTHED BLADES.**
- **DO NOT OPERATE THIS TOOL NEAR FLAMMABLE LIQUIDS, GASES OR DUST.** Sparks from cutting or motor may ignite dust and fumes.

### Power Supply

Be sure your power supply agrees with the nameplate marking. 120 volts, "60 Hz" means alternating current (normal 120 volt, 60 Hz house current).

A voltage decrease of more than 10% will cause a loss of power and overheating.

### Cutting Capacity

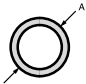
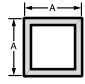
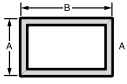
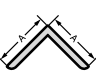
The wide vise opening and high pivot point provide cutting capacity for many large pieces. Use the cutting capacity chart to determine total maximum size of cuts that can be made with a new wheel.

**⚠ CAUTION: CERTAIN LARGE, CIRCULAR OR IRREGULARLY SHAPED OBJECTS MAY REQUIRE ADDITIONAL HOLDING MEANS IF THEY CANNOT BE HELD SECURELY IN VISE.**

**⚠ CAUTION: DO NOT CUT MAGNESIUM WITH THIS TOOL.**

### Maximum Cutting Capacity

**NOTE: CAPACITY SHOWN ON CHART ASSUMES NO WHEEL WEAR AND OPTIMUM FENCE POSITION.**

Work Piece Shape Cutting Angle				
90°	5"	4.7"	4.5" x 6.5"	5.6"

## SAVE THESE INSTRUCTIONS

### Standard Equipment

- 1 14" Metal Cutting Abrasive Wheel. Use only high strength Type 1 organic bonded wheels rated 4,100 rpm or higher. (Aluminum Oxide)
- 1 Wheel Wrench

### To Carry

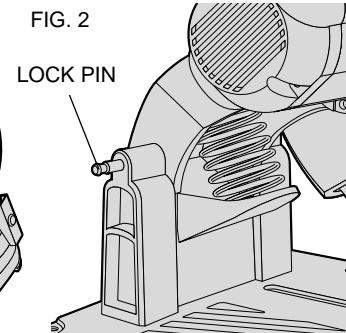
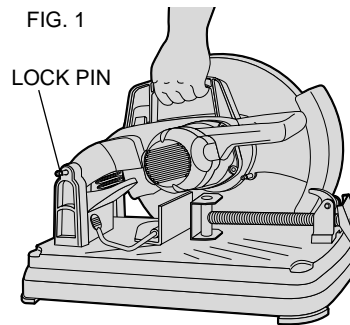
Fold down unit to position where you can carry the saw. Push in lock pin (Figure 1) to lock arm down.

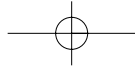
### Unlocking

To unlock tool and raise head, depress motor arm slightly and pull lock pin out. Motor arm will then pivot upward (see Figure 2).

### Material Clamping and Supporting

- *Angles are best clamped and cut with both legs resting against base*
- *A spacer block slightly narrower than the work space (see Figure 3) can be used to increase wheel utilization.*
- *Long workpieces must be supported by a block so it will be level with top of base (see Figure 4). The cut off end should be free*



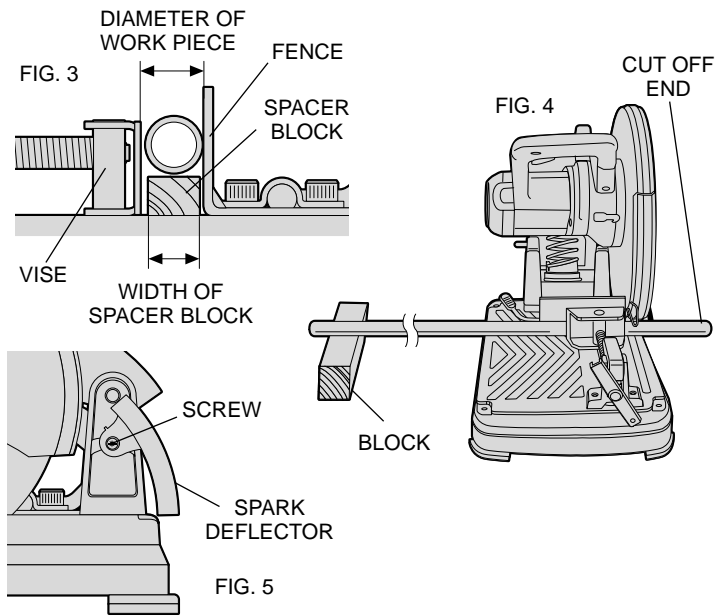


### Spark Deflector Adjustment

To best deflect sparks away from surrounding persons and materials, loosen the screw, adjust the spark deflector and then retighten screw (see Figure 5).

### Vise Operation

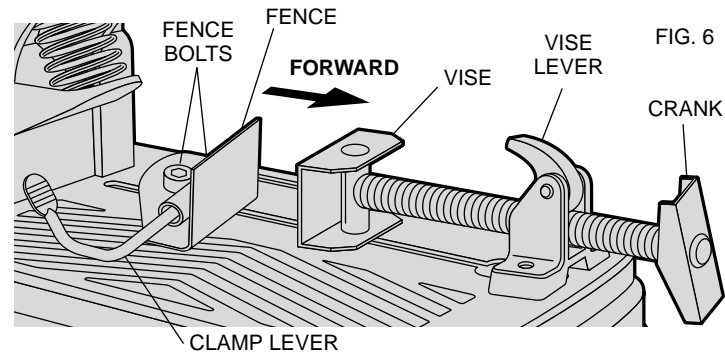
Vise has a quick travel feature. To release the vise when it is clamped tightly, turn the crank counterclockwise one or two times to remove clamping pressure. Lift vise lever up. Pull crank assembly out as far as desired. Vise may be shoved into work without cranking. Lower vise lever then tighten vise on work by using crank (see Figure 6).



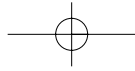
### Fence Operation

Fence requires no wrenches to adjust. The quick release clamp lever unlocks and locks the fence. When the lever is rotated fully forward, the fence is unlocked. The fence can then be freely moved forward, backward or rotated to allow for the best cutting position for a new wheel and as the wheel wears.

Rotating the lever fully to the rear locks the fence in position selected. If the bottom leg of the lever is not horizontal (parallel to the base), the fence is not locked. Lever will only lock fence when there is strong resistance to moving it to rear. If resistance is light, adjust clamping force by tightening slightly the two bolts holding the fence to the base. Test by reclamping and attempt to move fence (see Figure 6).



English



### Fence Angle Adjustment

Angle adjustment indicator is part of fence clamping system. Align desired angle indicator line with edge of slot in base (see Figure 7). For a more accurate square cut (Figure 7), disconnect power supply, unlock fence, push arm down until wheel extends into base, place a square against wheel, adjust fence against square, then lock fence into position.

### Switch

To start the tool, depress the trigger switch shown in Figure 8. To turn the tool off, release the trigger switch. Keep hands and material from wheel until it has coasted to a stop.

FIG. 7

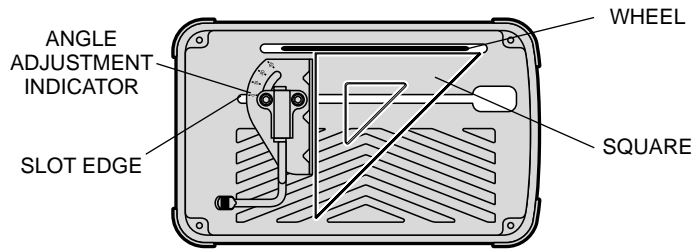
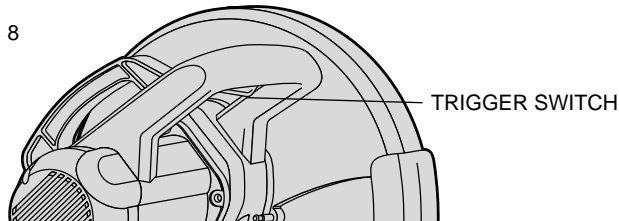


FIG. 8



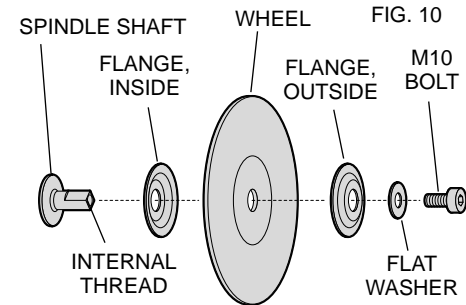
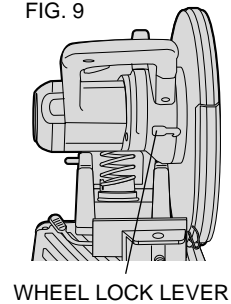
### Removal and Installation of Wheels

1. Be sure tool is disconnected from power supply.
2. Push in wheel lock lever (Figure 9) and rotate wheel by hand until wheel lock lever engages slot in inside flange to lock wheel. Loosen the bolt counterclockwise in the center of the abrasive wheel with the 8 mm hex wrench found in the holder in the base. Bolt has right hand thread.
3. Remove the bolt, washer, outside flange, and old wheel (Fig. 10).
4. Install the new abrasive wheel by reversing the above steps.
5. Do not over tighten bolt.

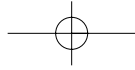
DO NOT MAKE ANY ADJUSTMENT WHILE THE WHEEL IS IN MOTION.  
DO NOT MAKE ANY ADJUSTMENT WHILE CHOP SAW IS PLUGGED INTO POWER SUPPLY.

**⚠ WARNING: CHECK THE WORK SURFACE THAT THE CHOP SAW RESTS ON WHEN REPLACING WITH A NEW ABRASIVE WHEEL. IT IS POSSIBLE THAT THE WHEEL MAY CONTACT ANY ITEMS OR STRUCTURE THAT EXTENDS ABOVE WORK SURFACE (UNDER THE BASE) WHEN THE ARM IS FULLY LOWERED.**

FIG. 9







## Mounting

### PROCEDURE FOR PERMANENT MOUNTING

1. Drill four holes 5/16" through the work surface. (Figure 11)
2. Insert 1/4-20 screws down through the holes in the base and through holes in mounting surface. The approximat length of the screws should be the thickness of the mounting surface plus 4 inches.

### CRADLE MOUNTING

1. Cut two boards approximately 20" long x 2" high x 4" wide.
2. Place chop saw at desired work location.
3. Place boards tightly along side, and nail to work surface, (Figure 12).

FIG. 11

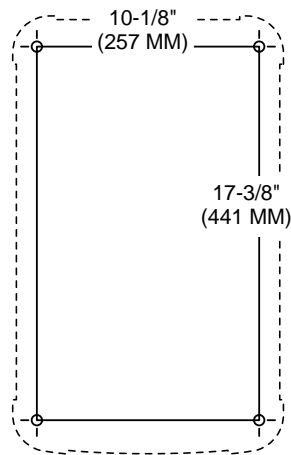
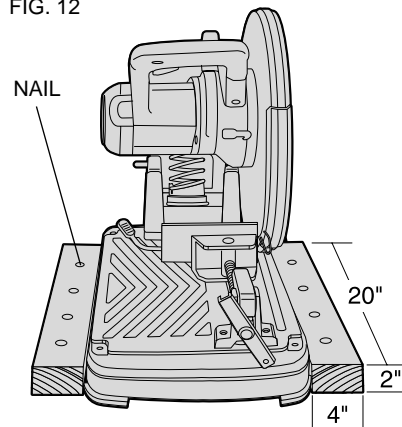


FIG. 12



## Motor Brush Inspection and Replacement

Be sure tool is unplugged before inspecting brushes. Brushes should be regularly inspected for wear. To inspect brushes, unscrew the two end cap screws and remove end cap (see Figure 13). To remove each brush, first unplug the shunt wire terminal connection. Then carefully back the brush spring out of the brush box and remove brush (see Figure 13). Brushes should slide freely in brush box. If brushes are worn down to .3" (see Figure 14) they should be replaced. To reinstall each brush carefully back the spring out of the brush box, insert the brush and return the spring making sure it is pressing on the brush and not touching the brush box. Then replace the end cap and two screws.

English

FIG. 14

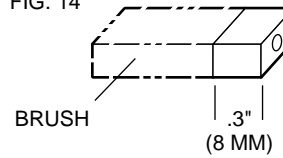
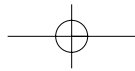
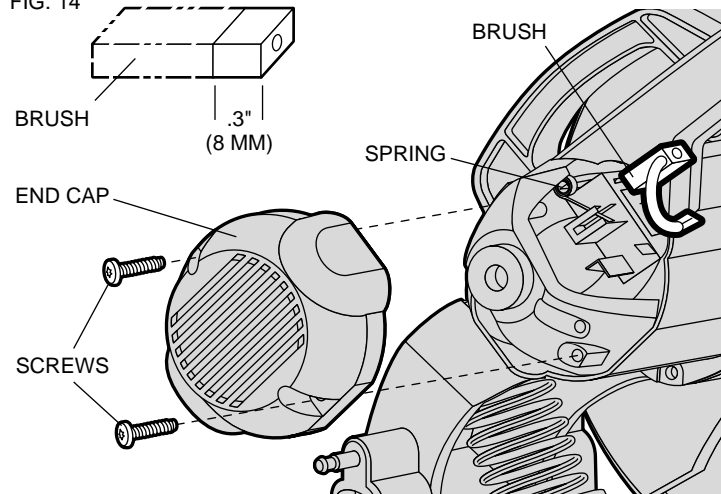


FIG. 13



### Operation Tips for More Accurate Cuts

- Allow the wheel to do the cutting. Excessive force will cause the wheel to glaze reducing cutting efficiency and/or to deflect causing inaccurate cuts.
- Adjust fence angle. (Figure 7)
- Make sure material is laying flat across base.
- Properly clamp material to avoid movement and vibration.

### Cleaning

Blowing dust and grit out of the main housing by means of an air hose is recommended and may be done as often as dirt is seen collecting in and around the air vents.

### Accessories

Recommended accessories for use with your tool are available at extra cost from your local dealer or authorized service center. If you need assistance in locating any accessory for your tool, contact:

DeWALT Industrial Tool Company  
626 Hanover Pike, P.O. Box 158  
Hampstead, MD. 21074-0158

**⚠ CAUTION:** The use of any other accessory not recommended for use with this tool could be hazardous.

### Important

To assure product SAFETY and RELIABILITY, repairs, maintenance and adjustment should be performed by authorized service centers or other qualified service organizations, always using identical replacement parts. **ALWAYS WEAR SAFETY GLASSES. ALWAYS SECURE WORK IN VISE. DISCONNECT TOOL FROM POWER SUPPLY BEFORE CHANGING WHEEL.**

### Lubrication

Closed-type, grease-sealed ball bearings are used throughout. These bearings have sufficient lubrication packed in them at the factory to last the life of the chop saw.

Gears should be relubricated every 60 to 90 days, depending upon use. This lubrication should only be attempted by experienced power tool repair persons like the mechanics at DeWALT service centers. The gear case should be wiped clean and 1/2 oz. (16 grams) of DeWALT Lubricant Part No. 790206 (6 oz. tube) placed in the gear case.

### Full Warranty

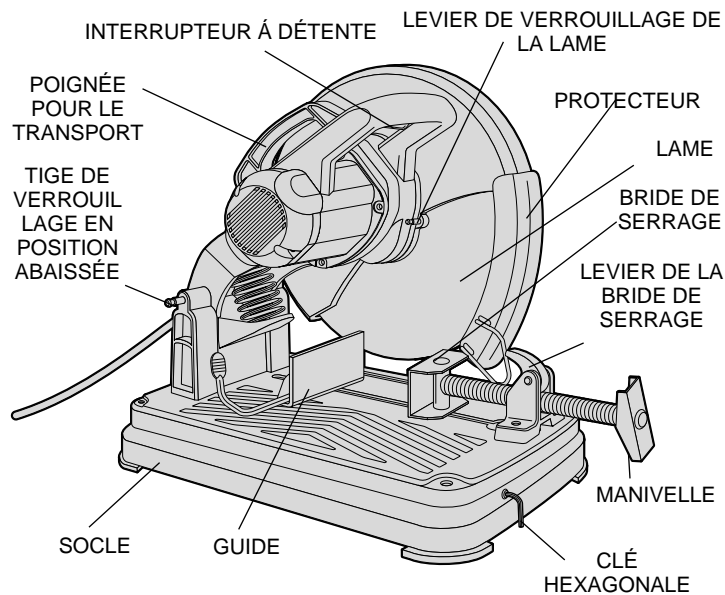
DeWALT heavy duty industrial tools are warranted for one year from date of purchase. We will repair, without charge, any defects due to faulty materials or workmanship. For warranty repair information, call 1-800-4-DeWALT. This warranty does not apply to accessories or damage caused where repairs have been made or attempted by others. This warranty gives you specific legal rights and you may have other rights which vary in certain states or provinces.

In addition to the warranty, DeWALT tools are covered by our:

#### **30 DAY NO RISK SATISFACTION GUARANTEE**

If you are not completely satisfied with the performance of your DeWALT heavy duty industrial tool, simply return it to the participating seller within 30 days for a full refund. Please return the complete unit, transportation prepaid. Proof of purchase may be required.

POUR TOUT RENSEIGNEMENT SUPPLÉMENTAIRE SUR L'OUTIL OU TOUT AUTRE OUTIL DeWALT, COMPOSER SANS FRAIS LE NUMÉRO1 (800) 4-DeWALT (1 (800) 433-9258).



**⚠ AVERTISSEMENT : PAR MESURE DE SÉCURITÉ PERSONNELLE, LIRE LE GUIDE D'UTILISATION AVANT D'UTILISER LA SCIE FENDEUSE.**

### Importantes mesures de sécurité

**⚠ AVERTISSEMENT!** Lire et comprendre toutes les mesures de sécurité suivantes afin d'éviter les risques de secousses électriques, d'incendie ou de blessures graves.

#### Conservé ces mesures.

- **MAINTENIR LES PROTECTEURS EN PLACE** et en bon état.
- Prendre l'habitude de vérifier si les clés de réglage ont été retirées avant de faire démarrer l'outil.
- **BIEN DÉGAGER LA SURFACE DE TRAVAIL.** Des surfaces et des établis encombrés peuvent être la cause de blessures.
- **TENIR COMPTE DU MILIEU DE TRAVAIL.** Protéger les outils électriques de la pluie. Ne pas s'en servir dans des endroits humides ou mouillés. Bien éclairer la surface de travail.
- **ÉLOIGNER LES ENFANTS.** Tous les visiteurs doivent être tenus à l'écart de l'aire de travail.
- **S'ASSURER QUE L'ATELIER EST À L'ÉPREUVE DES ENFANTS.** Utiliser des cadenas, un interrupteur principal et retirer les clés servant au démarrage.
- **NE JAMAIS FORCER L'OUTIL.** Afin d'obtenir un rendement sûr et efficace, utiliser l'outil à son rendement nominal.
- **UTILISER L'OUTIL APPROPRIÉ.** Ne jamais exiger d'un petit outil ou d'un accessoire le rendement d'un outil de fabrication plus robuste.
- **CORDONS DE RALLONGE.** S'assurer que le cordon de rallonge est en bon état. Lorsqu'on se sert d'un cordon de rallonge, s'assurer qu'il est de calibre approprié pour la tension nécessaire au fonctionnement de l'outil. L'utilisation d'un cordon de calibre inférieur occasionne une baisse de tension entraînant une perte de puissance et la surchauffe. Le tableau suivant indique le calibre approprié selon la longueur du cordon et les mentions de la plaque signalétique de l'outil. En cas de doute, utiliser un cordon de calibre supérieur. Le chiffre indiquant le calibre est inversement proportionnel au calibre du cordon.

- **PORTER DES VÊTEMENTS APPROPRIÉS.** Éviter de porter des vêtements amples, des cravates, des bagues, des bracelets ou d'autres bijoux qui peuvent être happés par les pièces en mouvement. Il est conseillé de porter des chaussures à semelle antidérapante. Protéger la chevelure si elle est longue.
- **TOUJOURS PORTER DES LUNETTES DE SÉCURITÉ.** Porter également un masque respiratoire si le travail de coupe produit de la poussière. Les lentilles des verres correcteurs ordinaires résistent seulement aux chocs; il ne s'agit pas de lunettes de sécurité.
- **ASSUJETTIR LA PIÈCE.** Immobiliser la pièce à l'aide de brides ou d'un étau. On peut alors se servir des deux mains pour faire fonctionner l'outil, ce qui est plus sûr.
- **NE PAS DÉPASSER SA PORTÉE.** Toujours demeurer dans une position stable et garder son équilibre.
- **PRENDRE SOIN DES OUTILS.** Conserver les outils propres et affûtés pour qu'ils donnent un rendement supérieur et sûr. Suivre les directives concernant la lubrification et le remplacement des accessoires.
- **DÉBRANCHER LES OUTILS** lorsqu'on doit réparer l'outil ou en changer un accessoire (comme une lame, un foret ou un couteau).

#### Calibre minimal des cordons de rallonge

Tension		Longueur totale du cordon en pieds			
120 V		0-25	26-50	51-100	101-150
240 V		0-50	51-100	101-200	201-300
Intensité (A)		Calibre moyen de fil (AWG)			
Au moins	Au plus				
0	- 6	18	16	16	14
6	- 10	18	16	14	12
10	- 12	16	16	14	12
12	- 16	14	12	Non recommandé	

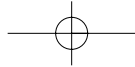
- **ÉVITER LES DÉMARRAGES ACCIDENTELS.** S'assurer que l'interrupteur est à la position hors circuit lorsqu'on branche l'outil.
- **UTILISER DES ACCESSOIRES RECOMMANDÉS.** Consulter le

guide d'utilisation pour connaître la liste des accessoires recommandés. L'utilisation de tout autre accessoire présente des risques de blessures.

- **NE JAMAIS SE TENIR DEBOUT SUR L'OUTIL.** Cela présente des risques de blessures si l'outil bascule ou si on entre en contact avec le tranchant par inadvertance.
- **VÉRIFIER LES PIÈCES ENDOMMAGÉES.** Avant de continuer à utiliser l'outil, il faut vérifier si le protecteur ou toute autre pièce endommagée remplit bien la fonction pour laquelle il a été prévu. Vérifier l'alignement et les attaches des pièces mobiles, le degré d'usure des pièces et leur montage, ainsi que tout autre facteur susceptible de nuire au bon fonctionnement de l'outil. Faire réparer ou remplacer tout protecteur ou toute autre pièce endommagée.
- **SENS DE COUPE.** Alimenter la pièce dans la lame seulement dans le sens opposé à celui de rotation de la lame.
- **NE JAMAIS LAISSER L'OUTIL SANS SURVEILLANCE, METTRE L'OUTIL HORS TENSION.** Attendre l'immobilisation complète de l'outil avant de s'en éloigner.
- Pour réparer l'outil, n'utiliser que des pièces de rechange identiques.
- Afin de réduire les risques de secousses électriques, l'outil est muni d'une fiche polarisée (une lame plus large que l'autre). Ce genre de fiche n'entre que d'une façon dans une prise polarisée. Lorsqu'on ne peut insérer la fiche à fond dans la prise, il faut communiquer avec un électricien certifié afin de faire installer une prise appropriée. Il ne faut pas modifier la fiche.

#### Mesures de sécurité relatives aux scies fendeuses

- Toujours porter des lunettes de sécurité ou tout autre dispositif de protection pour les yeux en utilisant l'outil.
- Avant d'utiliser l'outil, vérifier si la lame comporte des fissures ou des défauts. Le cas échéant, jeter la lame. Il faut également vérifier la lame lorsqu'on croit que l'outil est tombé.



- Lorsqu'on met l'outil en marche (avec une lame neuve ou de rechange), il faut le tenir dans un endroit à l'écart. Si la lame comporte une fissure ou une défectuosité non décelée, elle éclate en moins de une minute. Ne jamais mettre l'outil en marche lorsqu'une personne (y compris l'utilisateur) se trouve devant la scie.
- Éviter de faire faire un rebond à la lame ou de la manipuler rudement. Le cas échéant, mettre l'outil hors circuit et inspecter la lame.
- Nettoyer l'outil régulièrement conformément aux directives d'entretien du présent guide.
- Ne jamais enlever le protecteur.
- Toujours utiliser la bride de serrage pour fixer la pièce à découper.
- Utiliser seulement des lames Type 1, 355 mm ayant une vitesse nominale d'au moins 4 100 trs/min.
- Laisser refroidir les pièces découpées avant de les manipuler.
- Ne pas tenter de couper du bois ni de la maçonnerie avec l'outil.
- NE JAMAIS DÉCOUPER DU MAGNÉSIUM AVEC L'OUTIL.
- Utiliser la scie fendeuse seulement dans une pièce bien aérée.
- Mettre la scie fendeuse hors circuit avant de retirer les pièces qui se trouvent dans le socle de l'outil.
- NE JAMAIS UTILISER UNE LAME DE SCIE CIRCULAIRE AVEC LA SCIE FENDEUSE. Ne pas utiliser de lame ayant des dents.
- NE PAS UTILISER l'outil dans des endroits où l'atmosphère contient des liquides, des vapeurs ou des poussières inflammables. Les étincelles que produit le moteur en marche ou la coupe pourraient enflammer ces produits.

## CONSERVER CES MESURES.

### Alimentation

Veiller à ce que la tension d'alimentation soit conforme aux exigences de la plaque signalétique de l'outil. La mention «120 volts, 60 Hz» signifie courant alternatif (courant domestique normal de 120 volts, 60 Hz).

Une baisse de tension de plus de 10 p. 100 entraîne une perte de puissance et la surchauffe.

### Capacité de coupe

La grande ouverture de la bride de serrage ainsi que l'articulation exceptionnelle de la scie permettent de couper de nombreuses pièces de grandes dimensions. Consulter le tableau sur la capacité de coupe afin de déterminer la dimension maximale totale de coupe de la nouvelle lame.

**⚠ MISE EN GARDE** : IL PEUT ÊTRE NÉCESSAIRE DE FIXER CERTAINS OBJETS DE DIMENSIONS EXTRAORDINAIRES, CIRCULAIRES OU DE FORMES IRRÉGULIÈRES qui ne peuvent pas être retenus dans la bride.

**⚠ MISE EN GARDE** : NE PAS COUPER DU MAGNÉSIUM AVEC l'outil.

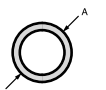
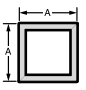
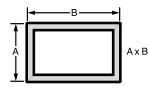
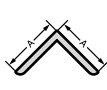
### Capacité de coupe maximale

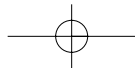
**NOTE** : LES CAPACITÉS INDIQUÉES SUR LE TABLEAU NE TIENNENT PAS COMPTE DE L'USURE DE LA LAME ni de la position optimale du guide.

## CONSERVER CES MESURES.

### Équipement standard

- 1 355 mm lame abrasive à métaux - Utiliser seulement des lames Type 1 à haute résistance à liant organique ayant une vitesse nominale d'au moins 4 100 trs/min. (oxyde d'aluminium).
- 1 clé pour la lame

Work Piece Shape Cutting Angle				
90°	5"	4.7"	4.5" x 6.5"	5.6"



### Transport

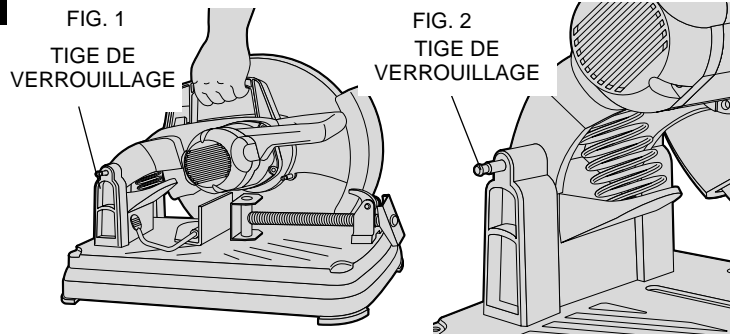
Plier l'outil de façon à pouvoir le transporter. Enfoncer la tige de verrouillage (fig. 1) afin de verrouiller le bras en position abaissée.

### Déverrouillage

Pour déverrouiller l'outil et en soulever la tête, enfoncer légèrement le bras du moteur et retirer la tige de verrouillage. Le bras du moteur pivote alors vers le haut (fig. 2).

### Fixation et soutien du matériau

- Les angles sont mieux fixés et coupés lorsque les deux extrémités reposent contre le socle.
- On peut se servir d'un bloc-soutien légèrement plus étroit que l'espace de travail (fig. 3) afin d'augmenter la capacité d'utilisation de la lame.
- Les pièces à ouvrir longues doivent être soutenues par un bloc afin d'être au même niveau que le dessus du socle (fig. 4). La partie coupée devrait pouvoir tomber librement afin de ne pas coincer la lame.

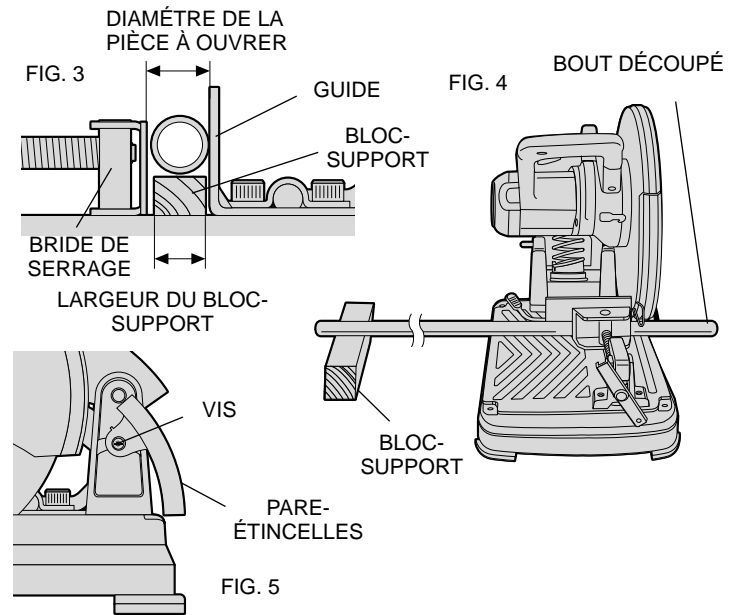


### Réglage du pare-étincelles

Afin de diriger les étincelles loin des personnes et des choses qui se trouvent près de l'outil, desserrer la vis, régler le pare-étincelles et resserrer la vis (fig. 5).

### Fonctionnement de la bride de serrage

La bride de serrage comporte une fonction de déplacement rapide. Pour dégager la bride lorsqu'elle est bien serrée, faire tourner la manivelle dans le sens antihoraire de un ou deux tours afin de dégager la pression de serrage. Soulever le levier de la bride. Retirer à l'emplacement voulu la manivelle. On peut installer la bride



sans se servir de la manivelle. Abaisser le levier de la bride puis serrer la bride sur le matériau à l'aide de la manivelle (fig. 6).

### Fonctionnement du guide

On n'a pas besoin de clé pour régler le guide. Le levier de serrage à dégagement rapide sert à verrouiller et à déverrouiller le guide. Lorsqu'on fait tourner le levier complètement vers l'avant, le guide est déverrouillé. On peut alors le déplacer librement vers l'avant, vers l'arrière ou le faire tourner afin d'obtenir la position de coupe optimale pour la nouvelle lame et à mesure que la lame s'use.

Lorsqu'on fait tourner le levier complètement vers l'arrière, le guide est verrouillé dans la position voulue. Lorsque la patte inférieure du levier n'est pas à l'horizontale (parallèle au socle), le guide n'est pas verrouillé. Le levier bloque le guide seulement lorsqu'il y a une forte résistance lorsqu'on tente de le déplacer vers l'arrière. Lorsqu'il y a peu de résistance, régler la force de serrage en serrant légèrement les deux boulons retenant le guide au socle. Vérifier en utilisant de nouveau le levier et en tentant de déplacer le guide (fig. 6).

### Réglage de l'angle du guide

L'indicateur de réglage de l'angle fait partie du système de serrage

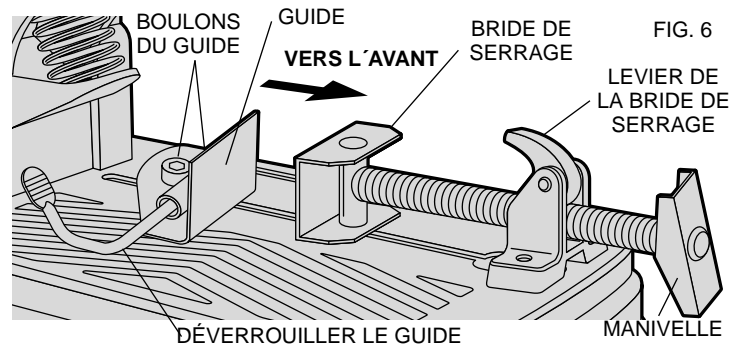


FIG. 6

du guide. Aligner la ligne voulue de l'indicateur sur le rebord de la fente dans le socle (fig. 7). Pour obtenir une coupe carrée des plus précises (fig. 7), débrancher l'outil, déverrouiller le guide, abaisser le bras jusqu'à ce que la lame soit dans le socle, placer une équerre contre la lame et régler le guide contre l'équerre, puis verrouiller le guide en place.

### Interrupteur

Enfoncer la détente illustrée à la figure 8 pour mettre le moteur en marche et la relâcher pour arrêter le moteur. Éloigner les mains et le matériau de la lame jusqu'à son immobilisation complète.

### RETRAIT ET INSTALLATION DE LA LAME

1. S'assurer que l'outil est débranché.
2. Enfoncer le levier de verrouillage de la lame (fig. 9) et faire tourner la lame à la main jusqu'à ce que le levier de verrouillage

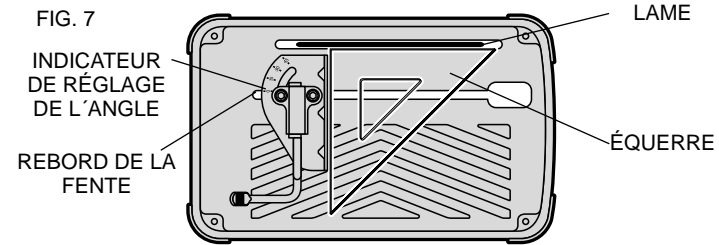


FIG. 7

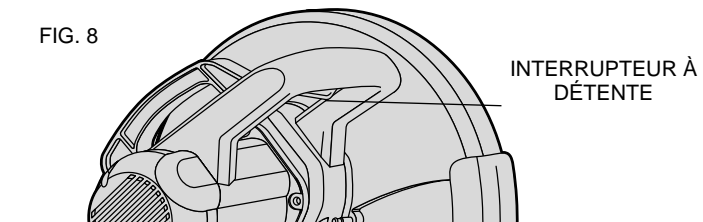


FIG. 8

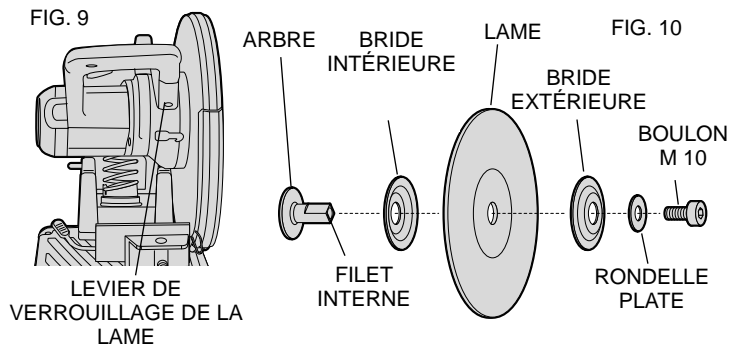
INTERRUPTEUR À DÉTENTE

de la lame s'enclenche dans la fente de la bride intérieure afin de verrouiller la lame. Desserrer dans le sens antihoraire le boulon qui se trouve au centre de la lame abrasive à l'aide de la clé hexagonale de 8 mm qui se trouve dans la case du socle. Le boulon est fileté à droite.

3. Retirer le boulon, la rondelle, la bride extérieure et l'ancienne lame (fig. 10).
4. Installer la nouvelle lame abrasive en se conformant aux étapes précédentes dans le sens inverse.
5. Éviter de trop serrer le boulon.

N'EFFECTUER AUCUN RÉGLAGE LORSQUE LA LAME TOURNE.  
N'EFFECTUER AUCUN RÉGLAGE LORSQUE LA SCIE FENDEUSE EST BRANCHÉE.

⚠ **AVERTISSEMENT** : Vérifier la surface sur laquelle repose la scie fendeuse lorsqu'on en remplace la lame abrasive. Cette dernière pourrait entrer en contact avec des articles ou des structures qui dépassent de la surface de travail (sous le socle) lorsqu'on abaisse le bras de la scie.



## Montage

### DIRECTIVES DE MONTAGE PERMANENT

1. Percer quatre trous d'un diamètre de 7 mm (5/16 po) dans la surface de travail (fig. 11).
2. Insérer des vis n° 20 de 1/4 po dans les trous du socle et de la surface de travail. La longueur approximative de la vis correspond à l'épaisseur de la surface de travail plus 100 mm (4 po).

### MONTAGE SUR CHEVALET

1. Découper deux planches d'une longueur de 508 mm (20 po) sur une hauteur de 50 mm (2 po), sur une largeur de 100 mm (4 po).
2. Placer la scie fendeuse à l'emplacement voulu.
3. Placer les deux planches tout contre chaque côté de la scie et les clouer dans la surface de travail (fig. 12).

FIG. 11

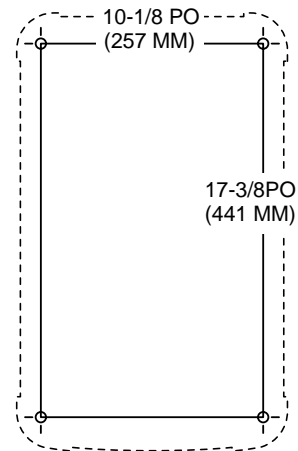
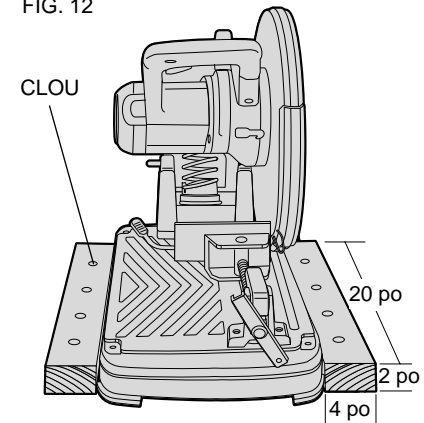


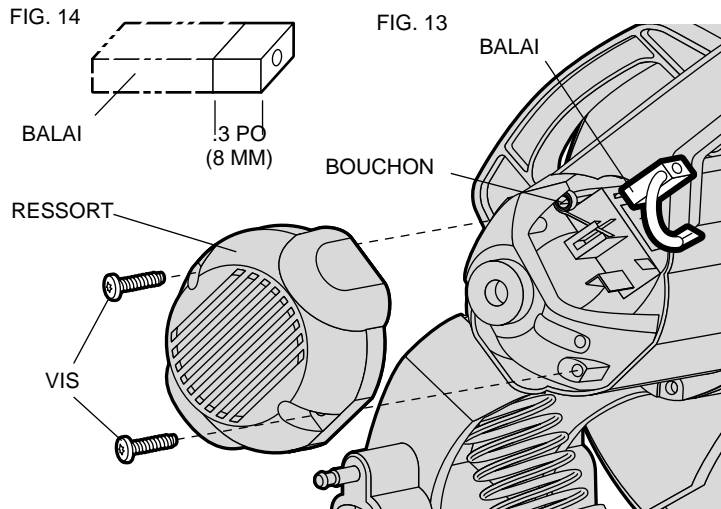
FIG. 12





### Inspection et remplacement des balais du moteur

S'assurer que l'outil est débranché avant d'en vérifier les balais. Il faut examiner ces derniers régulièrement afin d'en observer le degré d'usure. Pour ce faire, dévisser les deux vis du bouchon et retirer ce dernier (fig. 13). Pour retirer chaque balai, il faut d'abord débrancher la borne montée en dérivation. Puis, il faut repousser délicatement le ressort de balai hors de la boîte de balais et retirer le balai (fig. 13). Les balais devraient glisser librement dans la boîte de balais. Lorsque l'usure des balais atteint 6 mm (0,3 po) (fig. 14), il faut les remplacer. Pour remettre les balais en place, il faut repousser délicatement le ressort hors de la boîte de balais, insérer le balai et replacer le ressort en s'assurant qu'il est appuyé contre le balai et qu'il ne touche pas à la boîte de balais. Il faut ensuite remettre en place le bouchon et les deux vis.



### CONSEILS AFIN D'OPTIMISER LA PRÉCISION DE LA COUPE

- Laisser la lame découper. Lorsqu'on exerce une pression excessive sur l'outil, on risque de bloquer la lame et d'en minimiser l'efficacité ou de la dévier et de procurer une coupe imprécise.
- Régler l'angle du guide (fig. 7).
- S'assurer que le matériau repose à plat contre le socle.
- Bien fixer le matériau afin d'en empêcher le mouvement et les vibrations.

### Nettoyage

Il faut nettoyer le boîtier principal de l'outil en y soufflant de l'air comprimé pour en chasser la poussière et les charpies dès qu'il y a accumulation de poussière dans les événements et autour de ceux-ci.

### Accessoires

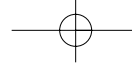
On peut se procurer séparément les accessoires recommandés pour l'outil chez les détaillants et le centre de service autorisé de la région. Pour trouver un accessoire, communiquer avec :

DeWALT Industrial Tool Company  
626 Hanover Pike, P.O. Box 158  
Hampstead, MD 21074-0158 É.-U.

**⚠ MISE EN GARDE** : L'utilisation de tout autre accessoire non recommandé pour l'outil peut être dangereuse.

### Important

Pour assurer la SÉCURITÉ D'EMPLOI et la FIABILITÉ de l'outil, n'en confier la réparation et les rajustements qu'à un centre de service ou à un atelier d'entretien autorisé n'utilisant que des pièces de rechange identiques. Toujours porter des lunettes de sécurité. TOUJOURS fixer la pièce dans la bride de serrage. Débrancher l'outil avant d'en remplacer la lame.



### *Lubrification*

L'outil est entièrement monté sur des roulements à billes scellés et graissés. Ces derniers sont lubrifiés en permanence à l'usine afin de servir pour la durée de l'outil.

Il faut lubrifier les engrenages aux 60 à 90 jours, selon le degré d'utilisation de l'outil. Il faut confier ces travaux aux techniciens qualifiés des centres de service de produits DeWalt. Il faut nettoyer le boîtier des engrenages en l'essuyant et y verser 16 grammes (1/2 oz) de lubrifiant DeWALT (pièce n° 790206 - tube de 192 g (6 oz)).

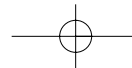
### *Garantie complète*

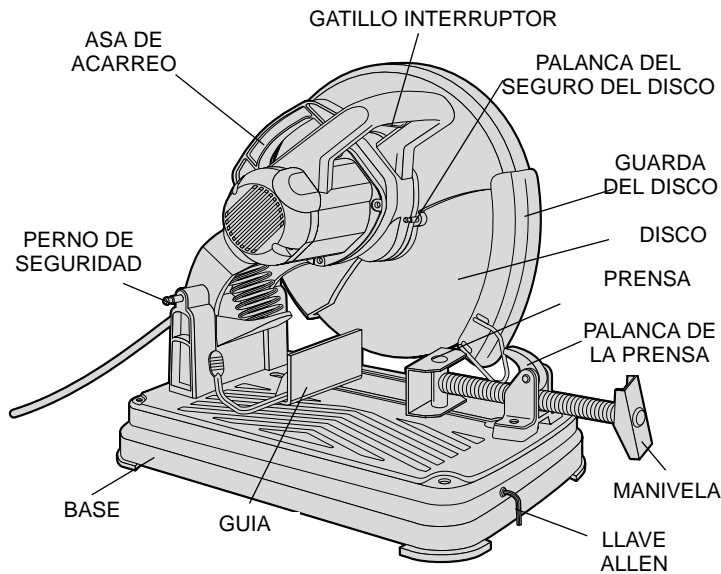
Les outils industriels de service intensif DeWALT sont garantis pendant un an à partir de la date d'achat. Toute pièce d'un outil DeWALT utilisé en service commercial ou offert en location qui s'avérerait défectueuse en raison d'un vice de matière ou de fabrication sera réparée ou remplacée sans frais. Selon une entente convenue entre DeWALT et Black & Decker Canada Inc., la Division des outils industriels de Black & Decker Canada Inc. s'engage à effectuer les réparations couvertes par la présente garantie. Il suffit de retourner l'outil port payé à l'un des centres de service d'outils industriels Black & Decker ou à tout autre atelier d'entretien d'outils industriels accrédité. DeWALT n'assume aucune responsabilité pour les avaries dues au mauvais usage, à une manoeuvre négligente, ou aux réparations tentées ou effectuées par des tiers. Aucune autre garantie, écrite ou verbale, ne sera reconnue.

**NOTE :** La présente garantie et les dispositions précédentes peuvent ne pas être valides dans certaines provinces.

### **GARANTIE DE SATISFACTION DE 30 JOURS OU ARGENT REMIS**

Si l'outil industriel de service intensif DeWalt ne donne pas entière satisfaction, il suffit de le retourner au marchand participant dans les 30 jours suivant la date d'achat afin d'être remboursé. La seule obligation consiste à retourner le produit port payé. Une preuve d'achat peut être exigée.





### Epecificaciones

Tensión de alimentación:	120 V
Potencia nominal:	1650 W
Frecuencia de operación:	50/60 Hz
Consumo de corriente:	15 A

### Instrucciones importantes de seguridad

- **CONSERVE LAS GUARDAS EN SU SITIO** y listas para trabajar.
- **Adquiera el hábito de asegurarse de que se han retirado las llaves de ajuste de la herramienta antes de accionarla.**

### Instrucciones importantes de seguridad

- **CONSERVE LAS GUARDAS EN SU SITIO** y listas para trabajar.
- **CONSERVE LIMPIA EL AREA DE TRABAJO.** Las áreas y bancos con objetos acumulados en desorden propician los accidentes.
- **NO SE EMPLEE EN AMBIENTES PELIGROSOS.** No utilice herramientas eléctricas en lugares inundados o mojados, ni las exponga a la lluvia. Conserve bien iluminada el área de trabajo.
- **CONSERVE APARTADOS A LOS NIÑOS.** Todos los visitantes deben permanecer a distancia segura de la zona de trabajo.
- **HAGA SU TALLER A PRUEBA DE NIÑOS** con candados, interruptores maestros y retirando las llaves de encendido.
- **NO FUERCE LA HERRAMIENTA.** Esta cumplirá mejor con su trabajo y de manera más segura bajo las especificaciones para las que se diseñó.
- **EMPLEE LA HERRAMIENTA ADECUADA.** No fuerce una herramienta o sus dispositivos en una tarea para los que no han sido diseñados.
- **UTILICE UN CABLE DE EXTENSION ADECUADO.** Asegúrese que su extensión esté en buenas condiciones. Cuando utilice una extensión, asegúrese de emplear una que soporte la corriente que su herramienta necesita. Una extensión con calibre insuficiente provocará una caída en el voltaje de la línea, ocasionando pérdida de potencia y sobrecalentamiento. El cuadro siguiente muestra el calibre correcto a utilizarse de acuerdo con la longitud y el amperaje indicado en la placa de identificación. Si tiene dudas, utilice el calibre siguiente. Mientras más pequeño sea el número del calibre, mayor será su capacidad.

Volts		Calibre mínimo para cordones de extensión			
		Longitud total del cordón en metros			
120V		0-7,6	7,6-15,2	15,2-30,4	30,4-45,7
240V		0-15,2	15,2-30,4	30,4-60,9	60,9-91,4
AMPERAJE		Calibre del cordón AWG			
Más de	No más de				
0	- 6	18	16	16	14
6	- 10	18	16	14	12
10	- 12	16	16	14	12
12	- 16-	14	12	No recomendado	

- **CORDONES DE EXTENSION PARA INTEMPERIE.** Cuando utilice la herramienta a la intemperie, solamente utilice extensiones diseñadas para ello y así marcadas.
- **VISTA LAS PRENDAS ADECUADAS.** No utilice prendas de vestir flojas, guantes, corbatas, anillos, brazaletes ni otras piezas de joyería que pudiesen quedar atrapadas en las partes móviles. Se recomienda el empleo de calzado antiderrapante. Cúbrase el cabello si lo tiene largo.
- **SIEMPRE UTILICE GAFAS DE SEGURIDAD.** También utilice una máscara contra polvo si la operación a efectuar lo produce. Los anteojos de uso diario solamente tienen lentes resistentes al impacto, NO SON anteojos de seguridad.
- **NO SE SOBREENTIENDA.** Conserve siempre bien apoyados los pies, lo mismo que el equilibrio.
- **CUIDE SUS HERRAMIENTAS.** Conserve sus herramientas afiladas y limpias para que funcionen mejor y de manera más segura. Siga las instrucciones de cambio de accesorios.
- **DESCONECTE LA HERRAMIENTAS** antes de efectuarles servicio y cuando les cambie accesorios, como cuchillas, brocas y similares.
- **REDUZCA EL RIESGO DE ENCENDIDO ACCIDENTAL.** Asegúrese que el interruptor esté en posición de apagado antes de conectar la herramienta.
- **UTILICE LOS ACCESORIOS RECOMENDADOS.** Busque en el manual de instrucciones los accesorios recomendados. El uso de

accesorios inadecuados puede causar riesgos de lesiones.

- **NUNCA SE PARE EN LA HERRAMIENTA.** Puede provocarse lesiones graves si la herramienta se vuelca o si hace contacto accidental con la herramienta de corte.
- **REVISE LAS PARTES DAÑADAS.** Antes de seguir utilizando la herramienta, debe revisar cuidadosamente una guarda o cualquier otra pieza que esté dañada para determinar si cumplirá adecuadamente con su función; revise la alineación de las piezas móviles, sus montajes, ruptura de partes y cualesquiera otras condiciones que pudiesen afectar su operación. Repare o reemplace las piezas dañadas.
- **NUNCA DEJE LA HERRAMIENTA EN FUNCIONAMIENTO Y DESATENDIDA. APAGUELA.** No deje la herramienta hasta que se haya detenido por completo.

### Clavijas polarizadas

Se emplean clavijas polarizadas (con una pata más ancha que la otra) para reducir los riesgos de choque eléctrico. Cuando el cordón eléctrico cuente con este tipo de clavija, ajustará en un contacto polarizado solamente de una manera. Si la clavija no ajusta completamente en su contacto, invírtala. Si aún así no ajusta, llame a un electricista calificado para que le instale un contacto polarizado apropiado. No modifique o haga cambios en la clavija por ningún motivo.

### Instrucciones de seguridad para cortadoras de metales

- Siempre utilice anteojos de seguridad cuando emplee esta herramienta.
- Antes de usar la unidad, revise los discos de corte en busca de cuarteaduras. Si hay cuarteaduras, deseche el disco. También debe revisarse el disco si usted piensa que se ha golpeado.
- Cuando encienda la herramienta (con un disco nuevo, o después

de haberlo cambiado), colóquela en un área protegida. Si el disco se cuartea, puede estallar en menos de un minuto. Nunca encienda la unidad si hay personas en línea con la herramienta, incluyendo al operador.

- Durante la operación, evite que el disco rebote. Si esto ocurre, detenga la unidad y revise el disco.
- Limpie su sierra para metales periódicamente siguiendo los procedimientos mencionados en la sección relativa al mantenimiento.
- No quite la guarda del disco.
- Utilice la prensa para asegurar la pieza de trabajo.
- Únicamente utilice discos de 355 mm, Tipo 1 fabricados para 4100 o más rpm.
- Permita que las piezas cortadas se enfríen antes de manipularlas.
- No intente cortar madera o mampostería con esta herramienta.
- **NUNCA CORTE MAGNESIO CON ESTA HERRAMIENTA.**
- Utilice la cortadora de metales en un área bien ventilada.
- Apague la sierra antes de quitar cualquier pieza de la base.
- **NO CORTE MATERIAL ELECTRICAMENTE VIVO.**
- **NUNCA UTILICE DISCOS PARA SIERRA CIRCULAR EN ESTA SIERRA. NO EMPLEE DISCOS DENTADOS.**
- **NO EMPLEE ESTA HERRAMIENTA CERCA DE LIQUIDOS, GASES, O POLVOS INFLAMABLES.** Las chispas originadas en el corte o en el motor pueden originar la ignición de estos polvos y vapores.

## CONSERVE ESTAS INSTRUCCIONES

### Alimentación

Asegúrese que su toma de corriente concuerda con la marca de la placa de identificación. 120 volts, 60 Hz significa corriente alterna (corriente doméstica normal a 120 volts y 60 Hz).

Una disminución de más del 10% en la intensidad causará pérdida

de potencia y sobrecalentamiento.

### Equipo estándar

- 1 Disco abrasivo dec 355 mm para corte de metales. Utilice únicamente discos con ligaduras orgánicas de alta resistencia fabricados para 4100 o más rpm. (Oxido de aluminio)

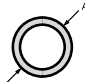
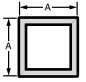
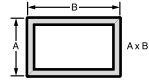
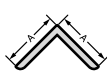
- 1 Llave para el disco

### Capacidad de corte

La gran capacidad de abertura de la prensa y el alto punto de pivoteo proporcionan capacidad para cortar piezas muy grandes. Use la tabla que sigue para determinar el tamaño máximo de los cortes que podrá hacer con un disco nuevo.

**⚠ PRECAUCION:** ALGUNOS OBJETOS GRANDES, O DE FORMA IRREGULAR PUEDEN REQUERIR ALGUN MEDIO DE SUJECION ADICIONAL AL NO PODERSE SUJETAR CON LA PRENSA.

**⚠ PRECAUCION:** NO CORTE MAGNESIO CON ESTA HERRAMIENTA.

Forma de la pieza Angulo de corte				
90°	5" 127mm	4.7" 119mm	4.5" x 6.5" 114mm x 165mm	5.6" 142mm

### Capacidad máxima de corte

**NOTA:** LA CAPACIDAD MOSTRADA EN LA TABLA ASUME QUE NO HAY DESGASTE EN EL DISCO.

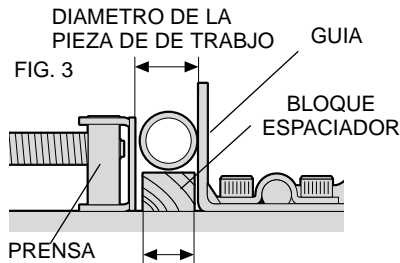
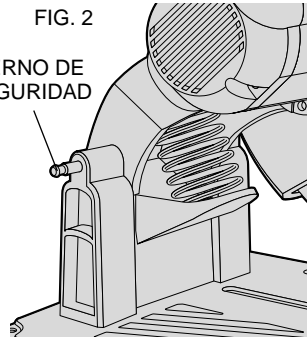
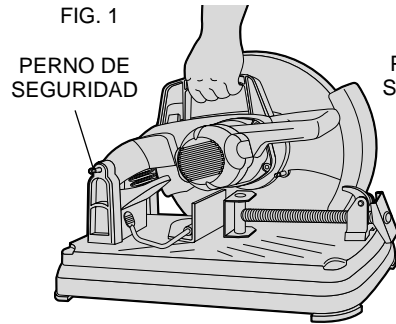
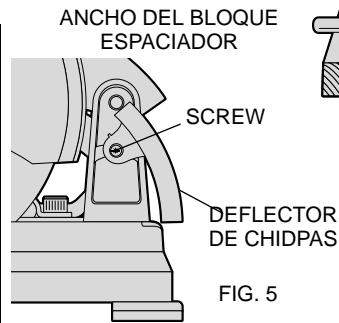
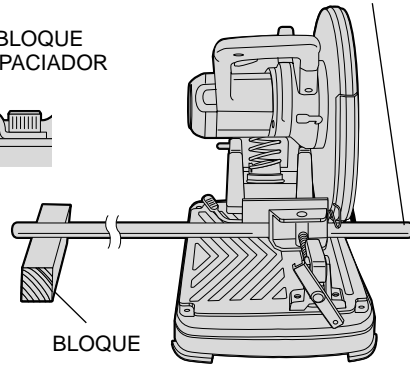


FIG. 4 EEMO QUE SE DESPRENDE



Español

### Para transportar la unidad

Pliegue la unidad de manera que pueda transportarla. Empuje el perno de seguridad (figura 1) para asegurar el brazo en la posición baja.

### Para desasegurar

Para desasegurar y elevar la cabeza, oprima el brazo del motor ligeramente y tire del perno de seguridad hacia afuera. El brazo del motor subirá (observe la figura 2).

### Sujeción y soporte de material

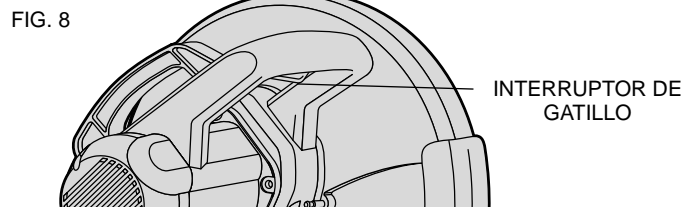
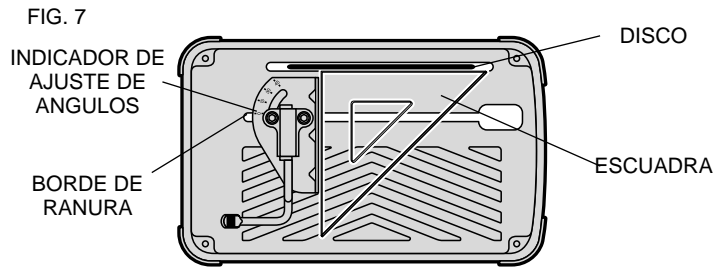
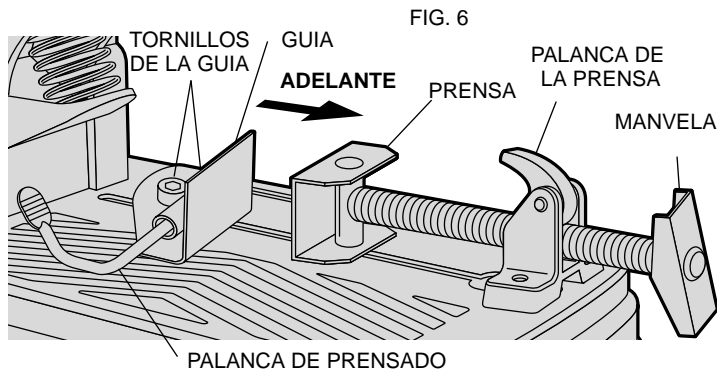
- Los ángulos se sujetan y cortan mejor con ambas patas apoyadas contra la base.
- Puede emplearse un bloque espaciador ligeramente más angosto que el espacio de trabajo (figura 3) para aumentar la utilización del disco.
- Las piezas grandes deben apoyarse por un bloque de manera que queden a nivel con la superficie de la base (figura 4). El extremo que se desprende debe quedar libre para caer para evitar que el disco se atore.

### Ajuste del deflector de chispas

Para alejar las chispas de las personas y materiales a su alrededor de la mejor manera posible, afloje el tornillo, ajuste el deflector y apriete el tornillo (observe la figura 5).

### Operación de la prensa

La prensa cuenta con un sistema de movimiento rápido. Para liberar la prensa cuando esté apretada, gire la manivela en sentido contrario a las manecillas del reloj una o dos veces para relajar la presión. Suba la palanca de la prensa. Tire del montaje de la manivela hacia fuera cuanto desee. La prensa puede utilizarse sin usar la manivela. Sin embargo, termine de apretarla siempre utilizando la manivela



(observe la figura 6).

### Ajuste del ángulo de la guía

El indicador del ángulo de ajuste es parte del sistema de prensado a la guía. Haga coincidir la línea deseada en el indicador de ángulos con el borde de la ranura en la base (figura 7). Para un corte a escuadra más preciso (figura 7), desconecte la alimentación de corriente, desasegure la guía, empuje el brazo hacia abajo hasta que el disco traspase la base, coloque una escuadra contra el disco, ajuste la guía contra la escuadra y asegure la guía en su posición.

### Interruptor

Para encender la herramienta, oprima el gatillo interruptor ilustrado en la figura 8. Para apagarla, libere el gatillo. Conserve las manos y el material alejados del disco hasta que este se haya detenido completamente.

### Remoción e instalación de discos

1. Asegúrese que la herramienta está desconectada de la toma de corriente.
2. Asegure el disco con la palanca del seguro del disco (fig. 9) y gire el disco a mano hasta que la palanca del seguro se trabe en la ranura correspondiente para asegurar el disco. Afloje el tornillo que se encuentra al centro de la rueda abrasiva en sentido contrario a las manecillas del reloj con la llave hexagonal de 8 mm que se está en el porta llaves de la base. El tornillo es de cuerda derecha.
3. Quite el tornillo, la roldana, la arandela exterior y el disco abrasivo usado (fig. 10).
4. Instale el nuevo disco abrasivo invirtiendo los pasos anteriores.
5. No apriete demasiado el tornillo.

**⚠ ADVERTENCIA:** VERIFIQUE LA SUPERFICIE DE TRABAJO SOBRE LA QUE DESCANSA LA CORTADORA CUANDO REEMPLACE UN DISCO ABRASIVO, ES POSIBLE QUE EL DISCO

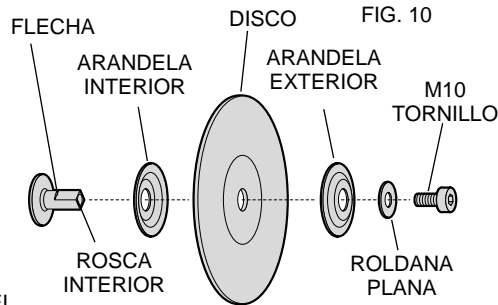


FIG. 11

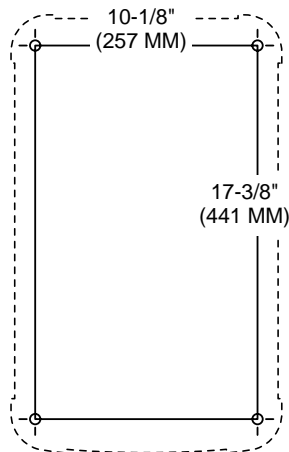
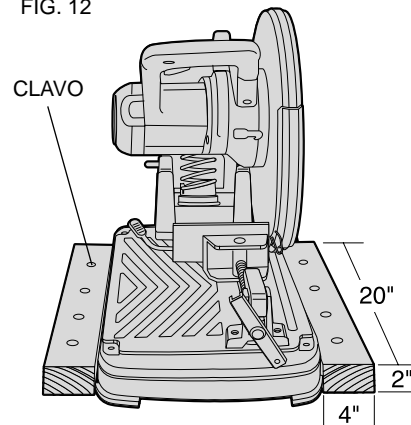


FIG. 12



HAGA CONTACTO CON LA SUPERFICIE DE TRABAJO (A TRAVES DE LA BASE) CUANDO EL BRAZO SE HA BAJADO COMPLETAMENTE.

### Montaje

Procedimiento para montaje permanente

1. Perfore cuatro barrenos de 7,9 mm (5/16") en la superficie de trabajo. (fig. 11).
2. Inserte tornillos de 6 mm (1/4-20) a través de la parte inferior de la superficie de trabajo, hasta las patas, en la base de la herramienta. La longitud del tornillo debe ser igual al espesor de la superficie de trabajo más 100 mm (4").

Montaje de cuna

1. Corte dos tablas de 50 cm (20") de longitud por 5 cm (2") de alto por 10 cm (4") de ancho.
2. Coloque la sierra en el lugar deseado.
3. Coloque los tableros apretados contra los lados, y clávelos a la superficie de trabajo (fig. 12).

### Carbones del motor

Asegúrese que la herramienta esté desconectada antes de revisar los carbones. Los carbones deben revisarse frecuentemente en busca de desgaste. Para revisarlos, afloje los tornillo y quite la tapa del extremo (observe la figura 13). Para quitar cada carbón, desconecte primero la conexión terminal del cable de derivación. A continuación, saque cuidadosamente el resorte y el carbón de la caja del carbón (observe la figura 13). Los carbones deben deslizarse libremente en la caja. Si los carbones se desgastan hasta una longitud de 0,76 cm (0,3") (figura 14) deberán reemplazarse. Para reinstalar los carbones, saque cuidadosamente el resorte de la caja, inserte el carbón y coloque de nuevo el resorte, asegurándose que éste esté oprimiendo al carbón y no haga contacto con la caja.

A continuación, coloque de nuevo la tapa del extremo y los dos tornillos.



### Recomendaciones para obtener cortes más precisos

- Permita que el disco haga el corte. Excesiva fuerza ocasionará que el disco se cristalice, reduciendo la eficiencia del corte y (o) se desvíe haciendo cortes no rectos.
- Ajuste el ángulo de la guía (figura 7).
- Asegúrese que el material quede plano sobre la base.
- Sujete el material apropiadamente para evitar movimientos y vibraciones.

### Importante

Para garantizar la SEGURIDAD y la CONFIABILIDAD, deberán hacerse reparaciones, mantenimiento y ajustes de esta herramienta en los centros autorizados de servicio DeWALT u otras organizaciones autorizadas. Estas organizaciones prestan servicio a las herramientas DeWALT y emplean siempre refacciones legítimas DeWALT. Los centros de servicio Black & Decker han sido certificados para dar servicio a las herramientas DeWALT. UTILICE SIEMPRE ANTEOJOS DE SEGURIDAD. ASEGURE SIEMPRE LAS PIEZAS DE TRABAJO EN LA PRENSA. DESCONECTE LA HERRAMIENTA DE LA TOMA DE CORRIENTE ANTES DE CAMBIAR EL DISCO.

### Lubricación

Se han empleado baleros de bolas sellados de tipo cerrado. Estos baleros cuentan con la lubricación suficiente para soportar durante toda la vida de la cortadora de metales.

Los engranes deben relubricarse cada 60 a 90 días, dependiendo del uso. Esta lubricación deberá ser efectuada por personal capacitado, como los mecánicos de los centros de servicio

FIG. 14

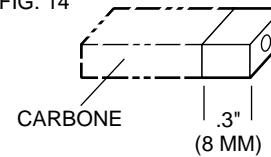
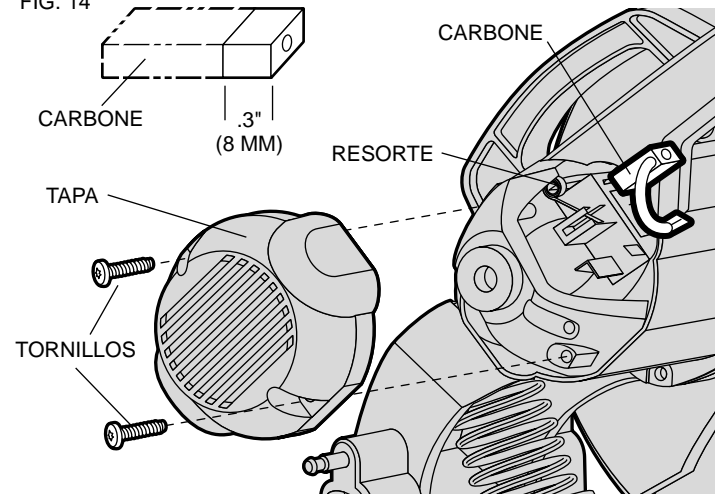


FIG. 13



### Importante

Para garantizar la SEGURIDAD y la CONFIABILIDAD, deberán hacerse reparaciones, mantenimiento y ajustes de esta herramienta en los centros certificados de servicio u otras organizaciones autorizadas que empleen siempre refacciones legítimas DeWALT.

autorizados Black & Decker. La caja de engranes debe limpiarse y deben añadirse 16 gramos (1/2 oz.) de lubricante DeWALT (parte No. 790206).

### Limpeza

Debe soplearse la carcasa con una manguera con aire comprimido, tan a menudo como vea que se acumula mugre alrededor de las tomas de aire.

#### PARA REPARACION Y SERVICIO DE SUS HERRAMIENTAS ELECTRICAS FAVOR DE DIRIGIRSE AL CENTRO DE SERVICIO MAS CERCANO

CULIACAN Av. Nicolas Bravo #1063 Sur	(91 671) 242 10
GAUDALAJARA Av. La Paz #1779	(91 3) 826 69 78.
MEXICO Eje Lázaro Cárdenas #18 Local D, Obrera	553-9377
MERIDA Calle 63 #459-A	(91 99) 23 54 90
MONTERREY Av. Francisco I. Madero Pte. 1820-A	(91 83) 72 11 25
PUEBLA 17 Norte #205	(91 22) 46 37 14
QUERETARO Av. Madero 139 Pte.	(91 42) 14 16 60
SAN LOUIS POTOSI Pedro Moreno #100 Centro	(91 48) 14 25 67
TORREON Blvd. Independencia, 96 pte.	(91 17) 16 52 65
VERACRUZ Prolongación Díaz Miron #4280	(91 29) 21 70 16

Español

VILLAHERMOSA  
Constitucion 516-A

(91 93) 12 53 17

**PARA OTRAS LOCALIDADES LLAME AL: 326 7100**

### Garantía Completa

Las herramientas industriales DeWALT están garantizadas durante un año a partir de la fecha de compra. Repararemos, sin cargos, cualquier falla debida a material o mano de obra defectuosos. Hemos hecho arreglos con la División de Herramientas Industriales de Black & Decker para que hagan las reparaciones en garantía a las herramientas DeWALT. Por favor regrese la unidad completa, con el transporte pagado, a cualquier Centro de Servicio para Herramientas Industriales de Black & Decker o a las estaciones de servicio autorizado enlistadas bajo "Herramientas Eléctricas" en la Sección Amarilla. Esta garantía no se aplica a los accesorios ni a daños causados por reparaciones efectuadas por terceras personas. Esta garantía le otorga derechos legales especificos, y usted puede tener otros derechos que pueden variar de estado a estado.

En adición a la garantía, las herramientas DeWALT están amparadas por nuestra:

#### GARANTIA DE SATISFACCION SIN RIESGO POR 30 DIAS

Si usted no se encuentra completamente satisfecho con el desempeño de su herramienta industrial DeWALT, sencillamente devuélvala a los vendedores participantes durante los primeros 30 días después de la fecha de compra para que le efectúen un reembolso completo. Por favor regrese la unidad completa, con el

IMPORTADOR: BLACK & DECKER S.A. DE C.V.  
BOSQUES DE CIDROS ACCESO RADIATAS NO. 42  
BOSQUES DE LAS LOMAS C.P., 05120 MEXICO, D.F.  
TEL 3-26-71-00