

DEWALT®

TOOL MOUNTING HOLES
ORIFICE POUR DE MONTAGE
ORIFICIOS DE MONTAJE DE LA HERRAMIENTA

FIG. 1

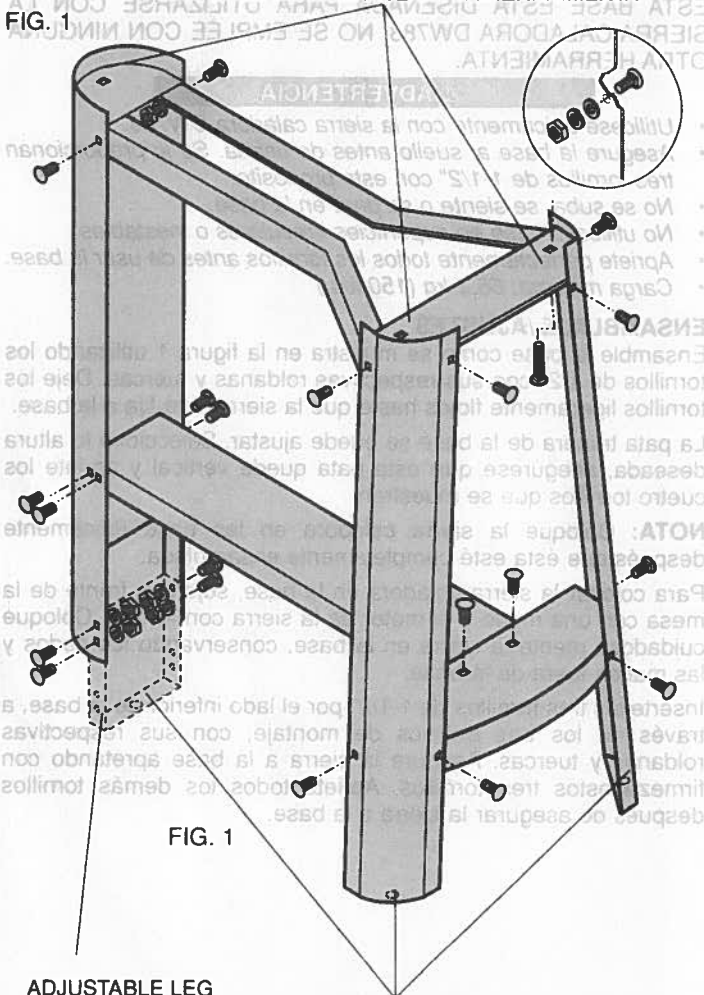


FIG. 1

ADJUSTABLE LEG
PIED ADJUSTABLE
PATA AJUSTABLE

FLOOR MOUNTING HOLES
ORIFICE MONTAGE DU PLANCHER
ORIFICIOS DEMONTAJE EN EL SUELO

English

Scroll Saw Stand DW7880

READ INSTRUCTIONS BEFORE USE

BE SURE TO OBSERVE ALL OF THE SAFETY INSTRUCTIONS IN THE SCROLL SAW INSTRUCTION MANUAL.

THIS SCROLL SAW STAND IS DESIGNED FOR USE WITH THE DW788 SCROLL SAW. DO NOT USE THIS SAW STAND WITH ANY OTHER TOOL.

WARNING:

- Use only with DW788 Scroll Saw.
- Secure stand to floor before use.
- Fasten scroll saw to stand before use. Three 1-1/2" carriage bolts, washers, lock washers and nuts are provided for this purpose.
- Do not climb, sit or stand on saw stand.
- Do not use stand on uneven or unstable surfaces.
- Tighten all fasteners completely before use.
- Maximum load: 150 lbs. (68.2 kg)

ASSEMBLY/ADJUSTMENT

Assemble the stand as shown in Figure 1 using 1/2" carriage bolts with washers, lock washers and nuts. Leave carriage bolts slightly loose until scroll saw is secured to stand.

The rear leg of the stand is adjustable. Select the desired height, ensure the rear leg is vertical, and firmly tighten all four bolts shown.

NOTE: Place scroll saw on stand only after stand is fully assembled.

To place scroll saw onto the stand, grasp the front of the table with one hand and the motor of the scroll saw with the other hand. Carefully place the scroll saw onto the stand, keeping fingers and hands clear of the stand.

Insert three 1-1/2" carriage bolts through the underside of the stand, through the three mounting holes in the scroll saw base with flat washer, lockwasher and nuts. Secure the saw to the stand by firmly tightening these three bolts. Tighten all carriage bolts on the stand after securing the saw in place.