

Before returning this product call

1-800-4-DEWALT

IF YOU SHOULD EXPERIENCE A PROBLEM WITH YOUR DEWALT PURCHASE,

CALL 1-800-4-DEWALT

IN MOST CASES, A DEWALT REPRESENTATIVE CAN RESOLVE
YOUR PROBLEM OVER THE PHONE.

IF YOU HAVE A SUGGESTION OR COMMENT, GIVE US A CALL.
YOUR FEEDBACK IS VITAL TO THE SUCCESS OF DEWALT'S QUALITY
IMPROVEMENT PROGRAM.

Questions? See us on the World Wide Web at www.dewalt.com

**INSTRUCTION MANUAL
GUIDE D'UTILISATION
MANUAL DE INSTRUCCIONES**

INSTRUCTIVO DE OPERACIÓN, CENTROS DE SERVICIO Y PÓLIZA
DE GARANTÍA. **ADVERTENCIA:** LÉASE ESTE INSTRUCTIVO ANTES
DE USAR EL PRODUCTO.

DEWALT®

DW713

10" (254 mm) Compound Miter Saw

Scie à onglets mixtes de 254 mm (10 po)

Sierra ingletadora compuesta de 254 mm (10")

Table of Contents

DEFINITIONS: SAFETY GUIDELINES.....	1	OPERATION.....	8
IMPORTANT SAFETY INSTRUCTIONS.....	1	SWITCH.....	8
DOUBLE INSULATION/POLARIZED PLUG INSTRUCTIONS.....	1	CUTTING WITH YOUR SAW.....	8
SAFETY INSTRUCTIONS FOR ALL TOOLS.....	1	CROSSCUTS.....	8
ADDITIONAL SAFETY RULES.....	2	BEVEL CUTS.....	9
ELECTRICAL CONNECTION.....	3	QUALITY OF CUT.....	9
UNPACKING YOUR SAW.....	3	BODY AND HAND POSITION.....	9
FAMILIARIZATION.....	3	CLAMPING THE WORKPIECE.....	9
SPECIFICATIONS.....	4	TO INSTALL CLAMP.....	10
OPTIONAL ACCESSORIES.....	4	SUPPORT FOR LONG PIECES.....	10
ACCESSORIES.....	4	CUTTING PICTURE FRAMES, SHADOW BOXES AND OTHER FOUR SIDED PROJECTS.....	10
BENCH MOUNTING.....	5	CUTTING TRIM MOLDING AND OTHER FRAMES.....	10
CHANGING OR INSTALLING A NEW SAW BLADE.....	5	CUTTING COMPOUND MITERS.....	11
TRANSPORTING THE SAW.....	6	MITER SCALE.....	11
ADJUSTMENTS.....	6	VERNIER SCALE.....	11
MITER SCALE ADJUSTMENT.....	6	WHEN MITERING TO THE RIGHT.....	11
MITER POINTER ADJUSTMENT.....	6	WHEN MITERING TO THE LEFT.....	11
BEVEL SQUARE TO TABLE.....	6	CUTTING BASE MOLDING.....	11
BEVEL POINTER.....	6	CUTTING CROWN MOLDING.....	12
BEVEL STOP.....	6	SPECIAL CUTS.....	13
FENCE ADJUSTMENT.....	7	MAINTENANCE.....	14
GUARD ACTUATION AND VISIBILITY.....	7	REPAIRS.....	14
AUTOMATIC ELECTRIC BRAKE.....	7	WARRANTY.....	14
MITER LOCK ADJUSTMENT.....	8	TROUBLESHOOTING GUIDE.....	15
BRUSHES.....	8	COMPOUND MITER CUT REFERENCE CHART.....	16

Definitions: Safety Guidelines

The definitions below describe the level of severity for each signal word. Please read the manual and pay attention to these symbols.

▲ DANGER: Indicates an imminently hazardous situation which, if not avoided, **will** result in **death or serious injury**.

▲ WARNING: Indicates a potentially hazardous situation which, if not avoided, **could** result in **death or serious injury**.

▲ CAUTION: Indicates a potentially hazardous situation which, if not avoided, **may** result in **minor or moderate injury**.

NOTICE: Indicates a practice **not related to personal injury** which, if not avoided, **may** result in **property damage**.

IF YOU HAVE ANY QUESTIONS OR COMMENTS ABOUT THIS OR ANY DEWALT TOOL, CALL US TOLL FREE AT: **1-800-4-DEWALT (1-800-433-9258)**

IMPORTANT SAFETY INSTRUCTIONS

▲ WARNING: Read all instructions before operating product. Failure to follow all instructions listed below may result in electric shock, fire and/or serious injury.

READ ALL INSTRUCTIONS

Double Insulation

Double insulated tools are constructed throughout with two separate layers of electrical insulation or one double thickness of insulation between you and the tool's electrical system. Tools built with this insulation system are not intended to be grounded. As a result, your tool is equipped with a two prong plug which permits you to use extension cords without concern for maintaining a ground connection.

NOTE: Double insulation does not take the place of normal safety precautions when operating this tool. The insulation system is for added protection against injury resulting from a possible electrical insulation failure within the tool.

▲ CAUTION: WHEN SERVICING USE ONLY IDENTICAL REPLACEMENT PARTS. Repair or replace damaged cords.

Polarized Plugs

Polarized plugs (one blade is wider than the other) are used on equipment to reduce the risk of electric shock. When provided, this plug will fit in the polarized outlet only one way. If the plug does not fit fully in the outlet, reverse the plug. If it still does not fit, contact a qualified electrician to install the proper outlet. Do not change the plug in any way.

Safety Instructions For All Tools

This miter saw accepts the DEWALT worklight and laser attachments.

▲ WARNING: To reduce the risk of eye injury, **ALWAYS** use eye protection when operating the miter saw.

- **KEEP GUARD IN PLACE** and in working order.
- **REMOVE ADJUSTING KEYS AND WRENCHES.** Form habit of checking to see that keys and adjusting wrenches are removed from spindle before turning tool on. Tools, scrap pieces, and other debris can be thrown at high speed, causing injury.
- **KEEP WORK AREA CLEAN.** Cluttered areas and benches invite accidents.
- **DO NOT USE THE MACHINE IN A DANGEROUS ENVIRONMENT.** The use of power tools in damp or wet locations or in rain can cause shock or electrocution. Keep your work area well-lit to avoid tripping or placing arms, hands, and fingers in danger.
- **KEEP CHILDREN AWAY.** All visitors should be kept at a safe distance from work area. Your shop is a potentially dangerous environment.

- **MAKE WORKSHOP CHILDPROOF** with padlocks, master switches, or by removing starter keys. The unauthorized start-up of a machine by a child or visitor may result in injury.
- **DON'T FORCE TOOL.** It will do the job better and be safer at the rate for which it was designed.
- **USE RIGHT TOOL.** Don't force tool or attachment to do a job for which it was not designed. Using the incorrect tool or attachment may result in personal injury.
- **WEAR PROPER APPAREL.** No loose clothing, gloves, neckties, rings, bracelets, or other jewelry to get caught in moving parts. Non-slip footwear is recommended. Wear protective hair covering to contain long hair. Air vents may cover moving parts and should also be avoided.
- **ALWAYS USE SAFETY GLASSES.** Everyday eyeglasses are **NOT** safety glasses. Also use face or dust mask if cutting operation is dusty. **ALWAYS WEAR CERTIFIED SAFETY EQUIPMENT:**
 - ANSI Z87.1 eye protection (CAN/CSA Z94.3)
 - ANSI S12.6 (S3.19) hearing protection
 - NIOSH/OSHA/MSHA respiratory protection
- **SECURE THE WORKPIECE.** Use clamps or a vise to hold the workpiece on the table and against the fence or when your hand will be dangerously close to the blade [within 6" (152 mm)]. It is safer than using your hand and it frees both hands to operate tool.
- **DON'T OVERREACH.** Keep proper footing and balance at all times. Loss of balance may cause personal injury.
- **MAINTAIN TOOLS WITH CARE.** Keep tools sharp and clean for best and safest performance. Follow instructions for lubricating and changing accessories. Poorly maintained tools and machines can further damage the tool or machine and/or cause injury.
- **TURN THE MACHINE "OFF", AND DISCONNECT THE MACHINE FROM THE POWER SOURCE** before installing or removing accessories, before adjusting or changing set-ups, when making repairs or changing locations. An accidental start-up can cause injury. Do not touch the plug's metal prongs when unplugging or plugging in the cord.
- **REDUCE THE RISK OF UNINTENTIONAL STARTING.** Make sure that the switch is in the "OFF" position before plugging in the power cord.
- **USE PROPER EXTENSION CORD.** Make sure your extension cord is in good condition. If your product is equipped with a cordset, use only 3-wire extension cords that have 3-prong grounding-type plugs and 3-pole receptacles that accept the tool's plug. When using an extension cord, be sure to use one heavy enough to carry the current your product will draw. An undersized cord will cause a drop in line voltage resulting in loss of power and overheating. The following table shows the correct size to use depending on cord length and nameplate ampere rating. If in doubt, use the next heavier gauge. The smaller the gauge number, the heavier the cord.

Ampere Rating		Minimum Gauge for Cord Sets				
		Volts	Total Length of Cord in Feet (meters)			
		120V	25 (7.6)	50 (15.2)	100 (30.5)	150 (45.7)
	240V	50 (15.2)	100 (30.5)	200 (61.0)	300 (91.4)	
More Than	Not More Than	AWG				
0	6	18	16	16	14	
6	10	18	16	14	12	
10	12	16	16	14	12	
12	16	14	12	Not Recommended		

- **CHECK for DAMAGED PARTS.** Before further use of the tool, a guard or other part that is damaged should be carefully checked to determine that it will operate properly and perform its intended function—check for alignment of moving parts, binding of moving parts, breakage of parts, mounting and any other conditions that may affect its operation. A guard or other part that is damaged should be properly repaired or replaced. Do not use tool if switch does not turn it on and off.
- **USE RECOMMENDED ACCESSORIES.** Use only accessories that are recommended by the manufacturer for your model. Accessories that may be suitable for one tool may be hazardous when used on another tool. Consult the instruction manual for recommended accessories. The use of improper accessories may cause risk of injury to persons.
- **NEVER STAND ON TOOL.** Serious injury could occur if the tool is tipped or if the cutting tool is unintentionally contacted.
- **NEVER LEAVE TOOL RUNNING UNATTENDED. TURN POWER OFF.** Don't leave tool until it comes to a complete stop. Serious injury can result.
- **DO NOT OPERATE ELECTRIC TOOLS NEAR FLAMMABLE LIQUIDS OR IN GASEOUS OR EXPLOSIVE ATMOSPHERES.** Motors in these tools may spark and ignite fumes.
- **STAY ALERT, WATCH WHAT YOU ARE DOING, AND USE COMMON SENSE. DO NOT USE THE MACHINE WHEN YOU ARE TIRED OR UNDER THE INFLUENCE OF DRUGS or ALCOHOL.** A moment of inattention while operating power tools may result in injury.

Additional Safety Rules For Miter Saws

⚠ WARNING: Do not allow familiarity (gained from frequent use of your saw) to replace safety rules. Always remember that a careless fraction of a second is sufficient to inflict severe injury.

- **DO NOT OPERATE THIS MACHINE** until it is completely assembled and installed according to the instructions. A machine incorrectly assembled can cause serious injury.
- **OBTAIN ADVICE** from your supervisor, instructor, or another qualified person if you are not thoroughly familiar with the operation of this machine. Knowledge is safety.
- **STABILITY.** Make sure the miter saw is placed on a secure supporting surface and does not slip or move during use. If the mobility kit is installed, raise the moveable caster(s) so saw is in its stationary position.
- **FOLLOW ALL WIRING CODES** and recommended electrical connections to prevent shock or electrocution. Protect electric supply line with at least a 15 ampere time-delay fuse or a circuit breaker.”
- **MAKE CERTAIN** the blade rotates in the correct direction. The teeth on the blade should point in the direction of rotation as marked on the saw.
- **TIGHTEN ALL CLAMP HANDLES,** knobs and levers prior to operation. Loose clamps can cause parts or the workpiece to be thrown at high speeds.
- **BE SURE** all blade and blade clamps are clean, recessed sides of blade clamps are against blade and arbor screw is tightened securely. Loose or improper blade clamping may result in damage to the saw and possible personal injury.
- **ALWAYS USE A SHARP BLADE.** Check the blade to see if it runs true and is free from vibration. A dull or a vibrating blade can cause damage to the machine and/or serious injury.
- **DO NOT OPERATE ON ANYTHING OTHER THAN THE DESIGNATED VOLTAGE** for the saw. Overheating, damage to the tool and personal injury may occur.
- **DO NOT WEDGE ANYTHING AGAINST THE FAN** to hold the motor shaft. Damage to tool and possible personal injury may occur.
- **DO NOT** force cutting action. Stalling or partial stalling of motor can cause damage. To the machine or blade and/or serious injury.

- **ALLOW THE MOTOR TO COME TO FULL SPEED** prior to starting cut. Starting the cut too soon may cause damage to the machine or blade and/or serious injury.
- **NEVER CUT FERROUS METALS** (Those with any iron or steel content) or masonry. Either of these can cause the carbide tips to fly off the blade at high speeds causing serious injury.
- **DO NOT USE ABRASIVE WHEELS.** The excessive heat and abrasive particles generated by them may damage the saw and cause personal injury.
- **NEVER** have any part of your body in line with the path of the saw blade. Personal injury will occur.
- **NEVER** apply blade lubricant to a running blade. Applying lubricant could cause your hand to move into the blade resulting in serious injury.
- **DO NOT** place either hand in the blade area when the saw is connected to the power source. Inadvertent blade activation may result in serious injury.
- **DO NOT PERFORM FREE-HAND OPERATIONS** (workpiece not supported by table and fence). Hold the work firmly against the fence and table. Free-hand operations on a miter saw could cause the workpiece to be thrown at high speeds, causing serious injury.
- **NEVER REACH AROUND** or behind the saw blade. A blade can cause serious injury.
- **DO NOT** reach underneath the saw unless it is unplugged and turned off. Contact with saw blade may cause personal injury.
- **SECURE THE MACHINE TO A STABLE SUPPORTING SURFACE.** Vibration can possibly cause the machine to slide, walk, or tip over, causing serious injury.
- **USE ONLY CROSSCUT SAW BLADES** recommended for miter saws. For best results, do not use carbide tipped blades with hook angles in excess of 7 degrees. Do not use blades with deep gullets. These can deflect and contact the guard, and can cause damage to the machine and/or serious injury.
- **USE ONLY BLADES OF THE CORRECT SIZE AND TYPE** specified for this tool to prevent damage to the machine and/or serious injury.
- **INSPECT BLADE FOR CRACKS** or other damage prior to operation. A cracked or damaged blade can come apart and pieces can be thrown at high speeds, causing serious injury. Replace cracked or damaged blades immediately.
- **CLEAN THE BLADE AND BLADE CLAMPS** prior to operation. Cleaning the blade and blade clamps allows you to check for any damage to the blade or blade clamps. A cracked or damaged blade or blade clamp can come apart and pieces can be thrown at high speeds, causing serious injury.
- **DO NOT** use lubricants or cleaners (particularly spray or aerosol) in the vicinity of the plastic guard. The polycarbonate material used in the guard is subject to attack by certain chemicals.
- **ALWAYS USE THE KERF PLATE AND REPLACE THIS PLATE WHEN DAMAGED.** Small chip accumulation under the saw may interfere with the saw blade or may cause instability of workpiece when cutting.
- **USE ONLY BLADE CLAMPS** specified for this tool to prevent damage to the machine and/or serious injury.
- **CLEAN THE MOTOR AIR SLOTS** of chips and sawdust. Clogged motor air slots can cause the machine to overheat, damaging the machine and possibly causing a short which could cause serious injury.
- **KEEP ARMS, HANDS, AND FINGERS** away from the blade to prevent severe cuts. Clamp all workpieces that would cause your hand to be within 6" (152 mm) of the saw blade.
- **NEVER LOCK THE SWITCH IN THE “ON”** position. Severe personal injury may result.

- **TURN OFF THE MACHINE** and allow the blade to come to a complete stop before raising the arm and prior to cleaning the blade area, removing debris in the path of the blade, before servicing or adjusting tool. A moving blade can cause serious injury.
- **PROPERLY SUPPORT LONG OR WIDE WORKPIECES.** Loss of control of the workpiece can cause injury.
- **NEVER** cross arms in front of blade while using tool. Always make a dry run (unpowered) before making a finish cut so that you can check the path of the blade or severe personal injury may result.
- **ADDITIONAL INFORMATION** regarding the safe and proper operation of power tools (i.e. a safety video) is available from the Power Tool Institute, 1300 Sumner Avenue, Cleveland, OH 44115-2851 (www.powertoolinstitute.com). Information is also available from the National Safety Council, 1121 Spring Lake Drive, Itasca, IL 60143-3201. Please refer to the American National Standards Institute ANSI 01.1 Safety Requirements for Woodworking Machines and the U.S. Department of Labor OSHA 1910.213 Regulations.

⚠ WARNING: Do not connect unit to electrical power source until complete instructions are read and understood.

⚠ WARNING: Always wear proper personal hearing protection that conforms to ANSI S12.6 (S3.19) during use. Under some conditions and duration of use, noise from this product may contribute to hearing loss.

⚠ WARNING: NEVER MAKE ANY CUT UNLESS THE MATERIAL IS SECURED ON THE TABLE AND AGAINST THE FENCE.

⚠ WARNING: Some dust created by power sanding, sawing, grinding, drilling, and other construction activities contains chemicals known to cause cancer, birth defects or other reproductive harm. Some examples of these chemicals are:

- lead from lead-based paints,
- crystalline silica from bricks and cement and other masonry products, and
- arsenic and chromium from chemically-treated lumber (CCA).

Your risk from these exposures varies, depending on how often you do this type of work. To reduce your exposure to these chemicals: work in a well ventilated area, and work with approved safety equipment, such as those dust masks that are specially designed to filter out microscopic particles.

- **Avoid prolonged contact with dust from power sanding, sawing, grinding, drilling, and other construction activities. Wear protective clothing and wash exposed areas with soap and water.** Allowing dust to get into your mouth, eyes, or lay on the skin may promote absorption of harmful chemicals.

⚠ WARNING: Use of this tool can generate and/or disburse dust, which may cause serious and permanent respiratory or other injury. Always use NIOSH/OSHA approved respiratory protection appropriate for the dust exposure. Direct particles away from face and body.

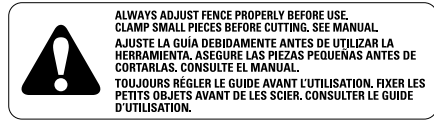
For your convenience and safety, the following warning labels are on your miter saw.

ON MOTOR HOUSING:

⚠ WARNING: FOR YOUR OWN SAFETY, READ INSTRUCTION MANUAL BEFORE OPERATING SAW. WHEN SERVICING, USE ONLY IDENTICAL REPLACEMENT PARTS. ALWAYS WEAR EYE PROTECTION. DO NOT EXPOSE TO RAIN OR USE IN DAMP LOCATIONS.

ON MOVING FENCE:

ALWAYS ADJUST FENCE PROPERLY BEFORE USE. CLAMP SMALL PIECES BEFORE CUTTING. SEE MANUAL.



ON GUARD:

DANGER – KEEP AWAY FROM BLADE.

ON UPPER GUARD:

PROPERLY SECURE BRACKET WITH BOTH SCREWS BEFORE USE.

ON TABLE: (2 PLACES)

⚠ WARNING: FOR YOUR OWN SAFETY READ INSTRUCTION MANUAL BEFORE OPERATING MITER SAW.

KEEP HANDS OUT OF PATH OF SAW BLADE.

DO NOT OPERATE SAW WITHOUT GUARDS IN PLACE.

CHECK LOWER GUARD FOR PROPER CLOSING BEFORE EACH USE.

ALWAYS TIGHTEN ADJUSTMENT BEFORE USE. DO NOT PERFORM ANY OPERATION FREEHAND.

NEVER REACH IN BACK OF SAW BLADE. NEVER CROSS ARMS IN FRONT OF BLADE. TURN OFF TOOL AND WAIT FOR SAW BLADE TO STOP BEFORE MOVING WORKPIECE, CHANGING SETTINGS OR MOVING HANDS.

DISCONNECT POWER BEFORE CHANGING BLADE OR SERVICING.

TO REDUCE THE RISK OF INJURY, ALLOW SAW TO RETURN TO THE FULL UP POSITION AFTER EACH OPERATION. THINK! YOU CAN PREVENT ACCIDENTS.

ON BASE: (2 PLACES)



Electrical Connection

Be sure your power supply agrees with the nameplate marking. 120 volts, AC means that your saw will operate on alternating current only. A voltage decrease of 10 percent or more will cause a loss of power and overheating. All DEWALT tools are factory tested. If this tool does not operate, check the power supply.

Unpacking Your Saw

Check the contents of your miter saw carton to make sure that you have received all parts. In addition to this instruction manual, the carton should contain:

1. One No. DW713 miter saw with blade.
2. One blade wrench in wrench pocket shown in Figure 2.
3. One No. DW7053 Dust Bag.

Familiarization

Your miter saw is fully assembled in the carton. Open the box and lift the saw out by the convenient carrying handle, as shown in Figure 1.

Place the saw on a smooth, flat surface such as a workbench or strong table.

Examine Figures 2 and 3 to become familiar with the saw and its various parts. The section on adjustments will refer to these terms and you must know what and where the parts are.

⚠ CAUTION: Pinch Hazard. To reduce the risk of injury, keep thumb underneath the handle when pulling the handle down. The lower guard will move up as the handle is pulled down which could cause pinching. The handle is placed close to the guard for special cuts.

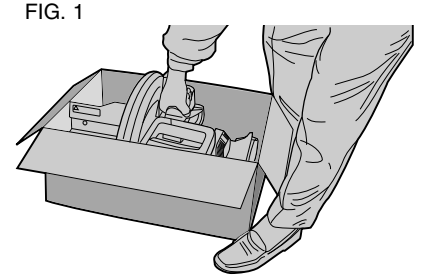


FIG. 1



Press down lightly on the operating handle and pull out the lock down pin, as shown in Figure 4. Gently release the downward pressure and allow the arm to rise to its full height. Use the lock down pin when carrying the saw from one place to another. Always use the carrying handle to transport the saw or the hand indentations shown in Figure 3.

Specifications

CAPACITY OF CUT

- 50° miter left and right
- 48° bevel left: 3° right
- 0° miter
 - Max. Height 3.5" (89 mm)
 - Max. Width 6.1" (155 mm)
- 45° miter
 - Result Width 3.5" (89 mm)
 - Result Height 1.25" (32 mm)
- 45° bevel
 - Max. Height 3.5" (89 mm)
 - Max. Width 4.2" (107 mm)
 - Result Width 2.4" (61 mm)
 - Result Height 1.25" (32 mm)
- 45° bevel
 - Max. Height 2.3" (58 mm)
 - Max. Width 6.1" (155 mm)
 - Result Width 3.5" (89 mm)
 - Result Height .75" (19 mm)
- 31.62° miter and 33.85° bevel
 - Max. Width 5.25" (133 mm)
 - Result Height .9" (23 mm)

DRIVE

120 Volt Motor

- 2200 Watts
- 5000 RPM
- Carbide Tooth Blade
- 15 Amp Motor
- Cut Helical Gears with Roller and Ball Bearings
- Automatic Electric Brake

Optional Accessories

The following accessories, designed for your saw, may be helpful. In some cases, other locally obtained work supports, length stops, clamps, etc., may be more appropriate. Use care in selecting and using accessories.

Extension, Work Support: DW7080

Used to support long overhanging workpieces, the work support is user assembled. Your saw table is designed to accept two work supports; one on each side.

Adjustable Length Stop: DW7051

Requires the use of one work support (see drawing). It is used to make repetitive cuts of the same length from 0 to 42" (107 cm).

Clamp: DW7082

Used for firmly clamping workpiece to the saw fence for precision cutting.

Dust Bag: DW7053 (Included with some models)

Equipped with a zipper for easy emptying, the dust bag will capture the majority of the sawdust produced (not shown).

Crown Molding Fence: DW7084

Used for precision cutting of crown molding.

Laser Guide System: DW7187

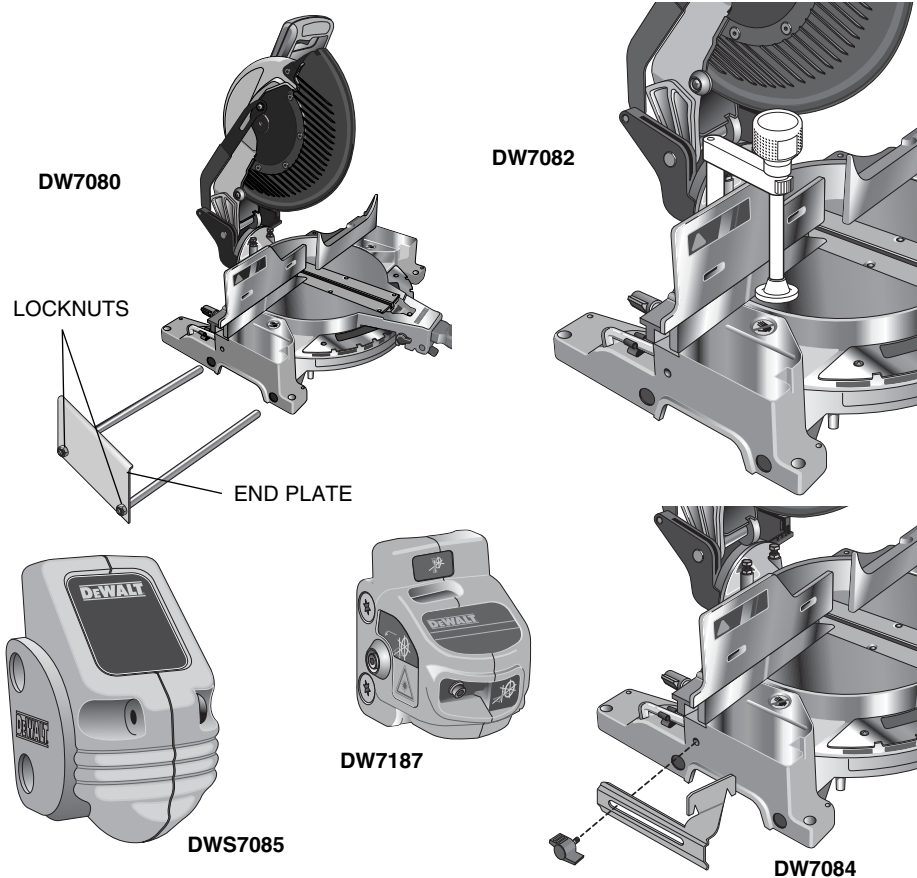
Powered by the saw, the bright laser line delivers enhanced visibility in low and high light locations. Easy to install.

Miter Saw LED Worklight System: DWS7085

Lighting used for greater visibility and cutting alignment during operation. Easy to install.

Miter Saw Replacement Kerf Plate: DW7055

This durable plastic uncut plate limits blade tear out.



SAW BLADES: ALWAYS USE 10" (254 mm) SAW BLADES WITH 5/8" (16 mm) ARBOR HOLES. SPEED RATING MUST BE AT LEAST 5500 RPM. Never use a smaller diameter blade. It will not be guarded properly. Use crosscut blades only! Do not use blades designed for ripping, combination blades or blades with hook angles in excess of 7°.

BLADE DESCRIPTIONS		
APPLICATION	DIAMETER	TEETH
Construction Saw Blades (<i>thin kerf with anti-stick rim</i>)		
General Purpose	10" (254 mm)	40
Fine Crosscuts	10" (254 mm)	60
Woodworking Saw Blades (<i>provide smooth, clean cuts</i>)		
Fine crosscuts	10" (254 mm)	80
Non-ferrous metals	10" (254 mm)	80
NOTE: For cutting non-ferrous metals, use only saw blades with TCG teeth designed for this purpose.		

ACCESSORIES

⚠ WARNING: Since accessories, other than those offered by DEWALT, have not been tested with this product, use of such accessories with this tool could be hazardous. To reduce the risk of injury, only DEWALT, recommended accessories should be used with this product.

Recommended accessories for use with your tool are available for purchase from your local dealer or authorized service center. If you need assistance in locating any accessory for your tool, please contact DEWALT Industrial Tool Co., 701 East Joppa Road, Baltimore, MD 21286, call 1-800-4-DEWALT (1-800-433-9258) or visit our website www.dewalt.com.

Bench Mounting

Holes are provided in all four feet to facilitate bench mounting, as shown in Figure 2. (Two different sized holes are provided to accommodate different sizes of screws. Use either hole, it is not necessary to use both.) Always mount your saw firmly to prevent movement. To enhance the tool's portability, it can be mounted to a piece of 1/2" (12.7 mm) or thicker plywood which can then be clamped to your work support or moved to other job sites and reclamped.

NOTE: If you elect to mount your saw to a piece of plywood, make sure that the mounting screws don't protrude from the bottom of the wood. The plywood must sit flush on the work support. When clamping the saw to any work surface, clamp only on the clamping bosses where the mounting screw holes are located. Clamping at any other point will surely interfere with the proper operation of the saw.

CAUTION: To prevent binding and inaccuracy, be sure the mounting surface is not warped or otherwise uneven. If the saw rocks on the surface place a thin piece of material under one saw foot until the saw sits firmly on the mounting surface.

IMPORTANT SAFETY INSTRUCTIONS

Changing or Installing a New Saw Blade (Fig. 5, 6)

WARNING: To reduce the risk of serious personal injury, turn off the tool and disconnect it from the power source before attempting to move it, change accessories or make any adjustments accept as written in laser adjustment instructions.

CAUTION:

- Never depress the spindle lock button while the blade is under power or coasting.
- Do not cut ferrous metal (containing iron or steel) or masonry or fiber cement product with this miter saw.

Removing the Blade

1. Unplug the saw.
2. Raise the arm to the upper position and raise the lower guard as far as possible.
3. Loosen, but do not remove guard bracket screw until the bracket can be raised far enough to access the blade screw. Lower guard will remain raised due to the position of the guard bracket screw.
4. Depress the spindle lock button (Fig. 3) while carefully rotating the saw blade by hand until the lock engages.

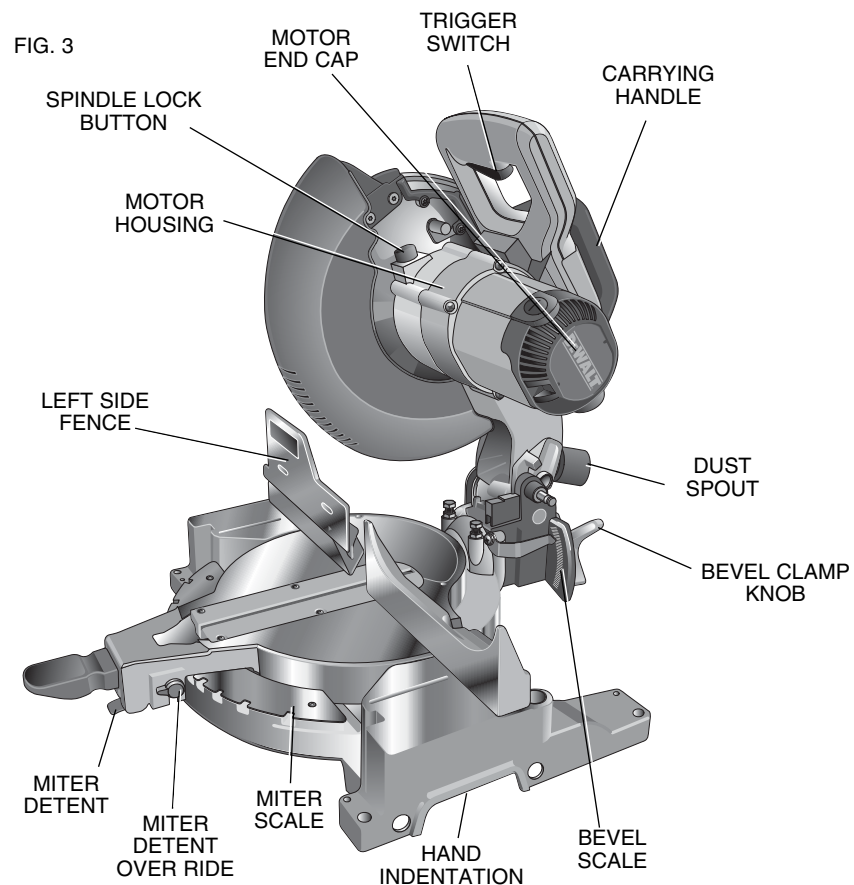
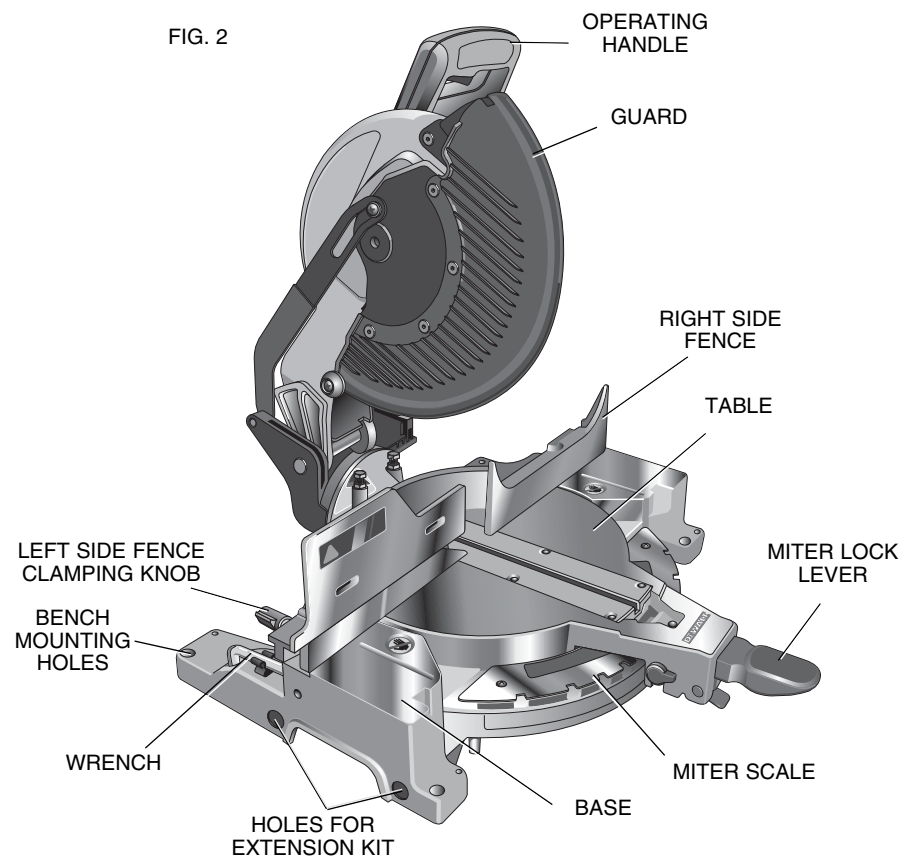


FIG. 4

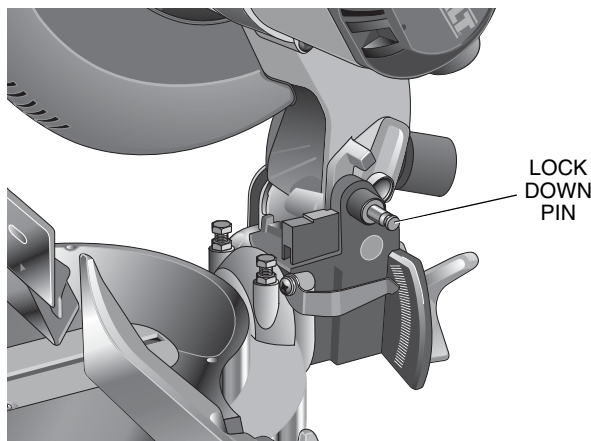


FIG. 5

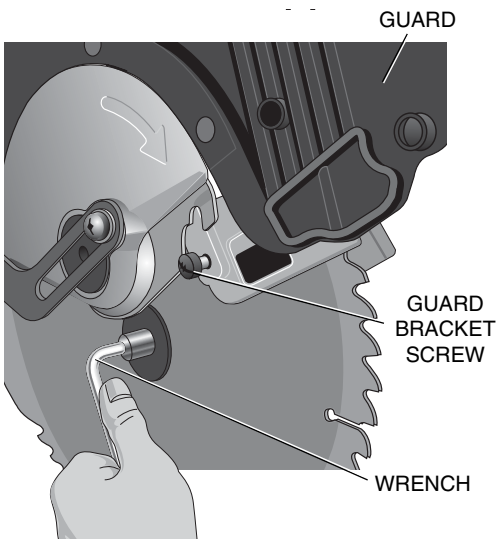
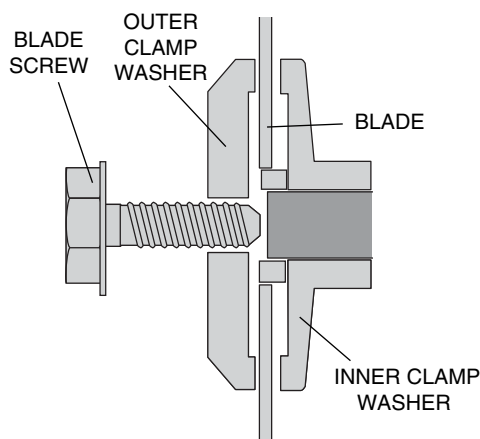


FIG. 6



5. Keeping the button depressed, use the other hand and the wrench provided to loosen the blade screw. (Turn clockwise, left-hand threads.)
6. Remove the blade screw, outer blade clamp, and blade. The inner blade clamp may be left on the spindle.

Installing a Blade

1. Unplug the saw.
2. With the arm raised, the lower guard held open and the guard bracket, place the blade on the spindle against the inner blade clamp with the teeth at the bottom of the blade pointing toward the back of the saw.
3. Assemble the outer blade clamp onto the spindle.
4. Install the blade screw and, engaging the spindle lock, tighten the screw firmly with wrench provided. (Turn counterclockwise, left-hand threads.)
5. Return the guard bracket to its original position and firmly tighten the guard bracket screw to hold bracket in place.

⚠ WARNING:

- **The guard bracket must be returned to its original position and the screw tightened before activating the saw.**
- **Failure to do so may allow the guard to contact the spinning saw blade resulting in damage to the saw and severe personal injury.**

Transporting the Saw

⚠ WARNING: To reduce the risk of serious personal injury, turn off the tool and disconnect it from the power source before attempting to move it, change accessories or make any adjustments accept as written in laser adjustment instructions.

⚠ WARNING: To reduce the risk of serious personal injury, ALWAYS lock the miter lock handle, bevel lock handle, down lock pin, and fence adjustment knob before transporting saw.

In order to conveniently carry the miter saw from place to place, a carrying handle has been included on the top of the saw arm, as shown in Figure 3. To transport the saw, lower the arm and depress the lock down pin shown in Figure 4.

ADJUSTMENTS

⚠ WARNING: To reduce the risk of serious personal injury, turn off the tool and disconnect it from the power source before attempting to move it, change accessories or make any adjustments accept as written in laser adjustment instructions.

NOTE: Your miter saw is fully and accurately adjusted at the factory at the time of manufacture. If readjustment due to shipping and handling or any other reason is required, follow the steps below to adjust your saw.

Once made, these adjustments should remain accurate. Take a little time now to follow these directions carefully to maintain the accuracy of which your saw is capable.

MITER SCALE ADJUSTMENT

Place a square against the saw's fence and blade, as shown in Figure 7. (Do not touch the tips of the blade teeth with the square. To do so will cause an inaccurate measurement.) Unlock miter lock lever (see Fig. 8) and swing the miter arm until the miter detent locks it at the 0° miter position. Do not lock miter lock lever. If the saw blade is not exactly perpendicular to the fence, loosen the three screws that hold the miter scale to the base (shown in Fig. 8) and move the scale/miter arm assembly left or right until the blade is perpendicular to the fence, as measured with the square. Retighten the three screws. Pay no attention to the reading of the miter pointer at this point.

MITER POINTER ADJUSTMENT

Unlock miter lock lever and squeeze the miter detent to move the miter arm to the zero position, as shown in Figure 8. Unlock the miter lock lever to allow the miter detent to snap into place as you rotate the miter arm past zero. Observe the pointer and miter scale through the viewing opening shown in Figure 9. If the pointer does not indicate exactly zero, loosen the pointer screw, adjust the pointer to 0° and retighten.

BEVEL SQUARE TO TABLE

To align the blade square to the rotary table, lock the arm in the down position. Place a square against the blade taking care to not have the square on top of a tooth, as shown in Figure 10B. Loosen the Bevel Clamp Knob so that you can move the Bevel Arm. Move the Bevel Arm as necessary so that the blade is at 0° bevel to the table. If the Bevel Arm needs adjustment, loosen the lock nut on the right side Bevel Stop as shown in Figure 11, and adjust the stop screw as necessary. Hold the stop screw in place and tighten the lock nut.

BEVEL POINTER

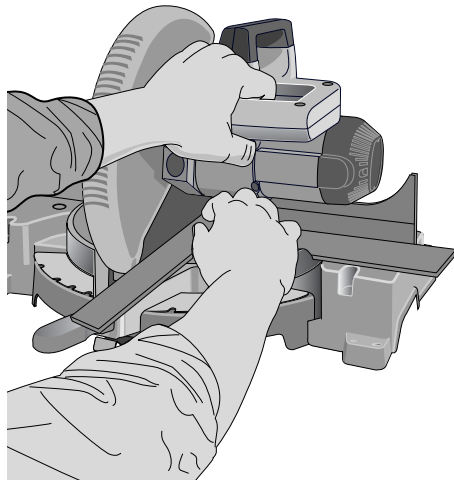
If the bevel pointer does not indicate zero, loosen the screw that holds it in place and move the pointer as necessary.

Suggestion: For accuracy, set the top edge so that it aligns with zero.

BEVEL STOP

To set the 45° bevel stop shown in Figure 12, first loosen the left side fence clamping knob and slide the left side fence as far as it will go to the left. Move the arm to the left until it stops on the left bevel stop screw. If the bevel pointer does not indicate exactly 45°, loosen the left side bevel stop lock nut and turn the screw downwards. Move the arm to the left and tighten the bevel clamp knob firmly

FIG. 7



when the bevel pointer indicates exactly 45°. Adjust the left side bevel stop screw upwards until it firmly touches the bevel stop. Retighten the nut while holding the screw from turning.

To achieve 3° right bevel or 48° left bevel, the stop screws must be adjusted to allow the arm to move to the desired location. The bevel stops will need readjustment to the zero and 45° positions after cuts are made.

FENCE ADJUSTMENT

⚠WARNING: To reduce the risk of serious personal injury, turn off the tool and disconnect it from the power source before attempting to move it, change accessories or make any adjustments except as written in laser adjustment instructions.

To bevel UP TO 48° left, the left side of the fence can be adjusted to the left to provide clearance. To adjust the fence, loosen the knob shown in Figure 13 and slide the fence to the left. Make a dry run with the saw turned off and check for clearance. **Adjust the fence to be as close to the blade as practical to provide maximum workpiece support**, without interfering with arm up and down movement. Tighten knob securely. When the bevel operations are complete, don't forget to relocate the fence to the right.

GUARD ACTUATION AND VISIBILITY

⚠CAUTION: Pinch Hazard. To reduce the risk of injury, keep thumb underneath the handle when pulling the handle down. The lower guard will move up as the handle is pulled down which could cause pinching.

The blade guard on your saw has been designed to automatically raise when the arm is brought down and to lower over the blade when the arm is raised.

The guard can be raised by hand when installing or removing saw blades or for inspection of the saw. **NEVER RAISE THE BLADE GUARD MANUALLY UNLESS THE SAW IS TURNED OFF.**

NOTE: Certain special cuts will require that you manually raise the guard. See section on **Cutting Base Molding Up to 3.5" (88.9 mm) High** (page 11).

The front section of the guard is louvered for visibility while cutting. Although the louvers dramatically reduce flying debris, they are openings in the guard and safety glasses should be worn at all times when viewing through the louvers.

AUTOMATIC ELECTRIC BRAKE

Your saw is equipped with an automatic electric blade brake which stops the saw blade within 5 seconds of trigger release. This is not adjustable.

On occasion, there may be a delay after trigger release to brake engagement. On rare occasions, the brake may not engage at all and the blade will coast to a stop.

If a delay or "skipping" occurs, turn the saw on and off 4 or 5 times. If the condition persists, have the tool serviced by an authorized DEWALT service center.

FIG. 10A

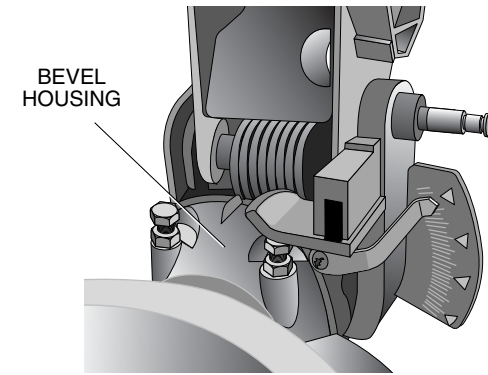


FIG. 10B

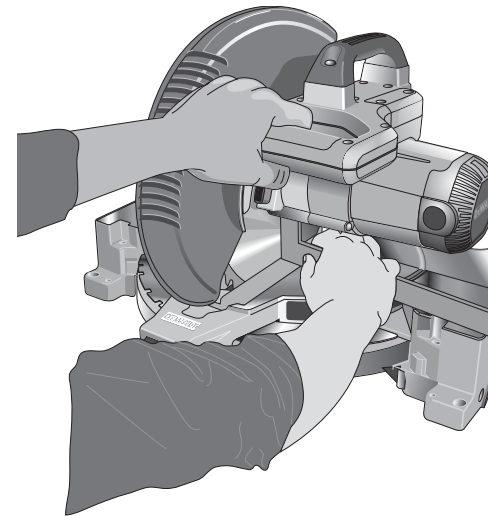


FIG. 11

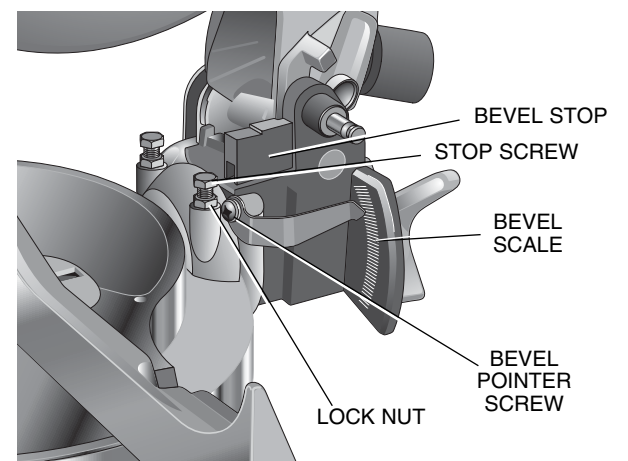


FIG. 8

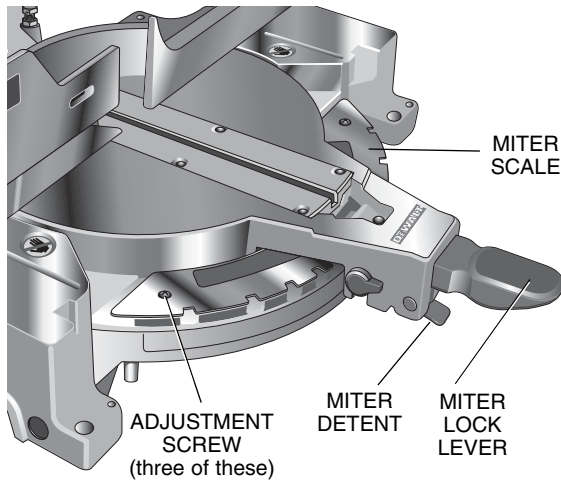


FIG. 9

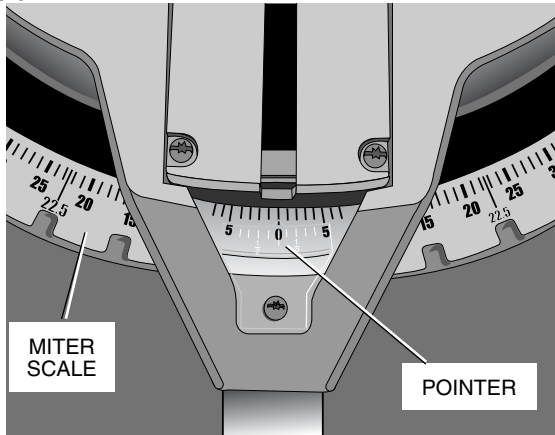


FIG. 12

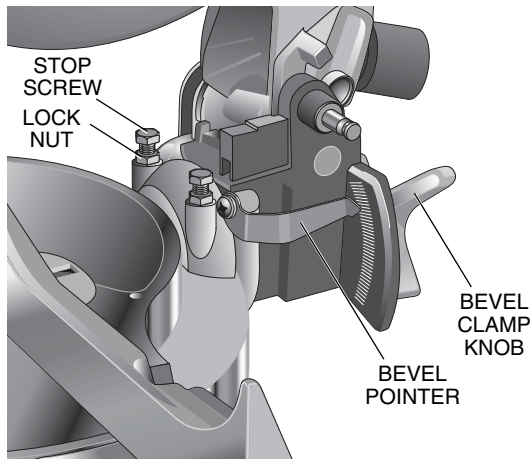


FIG. 13

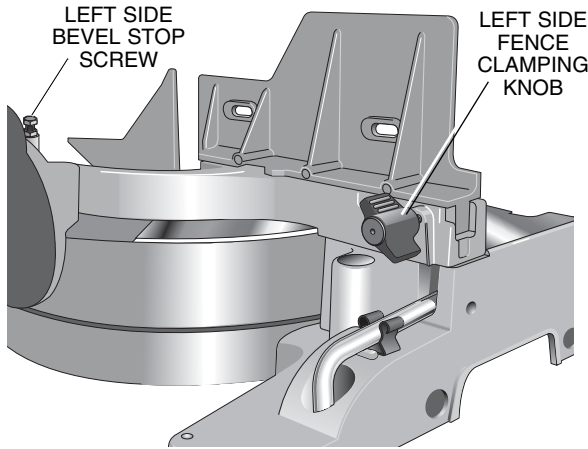


FIG. 14

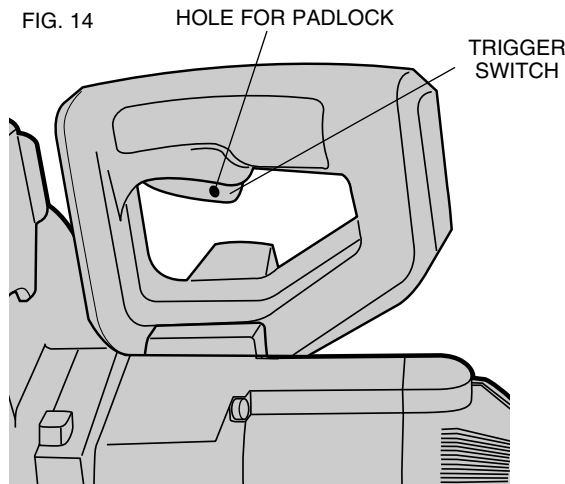
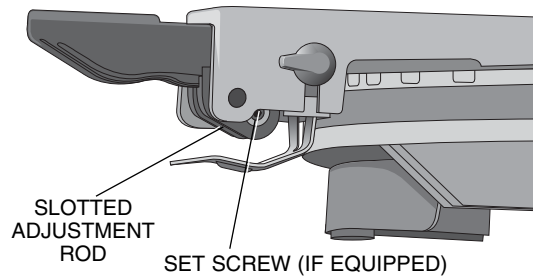


FIG. 15



Always be sure the blade has stopped before removing it from the kerf. The brake is not a substitute for guards or for ensuring your own safety by giving the saw your complete attention.

MITER LOCK ADJUSTMENT (FIG. 15)

The miter lock rod should be adjusted if the table of the saw can be moved when the miter lock handle is locked down. To adjust, put the miter lock handle in the up position. Using a slotted screwdriver, adjust the lock rod in 1/8 clockwise turn increments to increase the lock force. To ensure the miter lock is functioning properly, re-lock miter lock handle to a non-detent miter angle.

NOTE: Some models may have a set screw as shown in Figure 15. Using a 3/32 hex wrench, loosen the set screw on the pivot pin. Tighten set screw after adjustment is complete.

Brushes

⚠ WARNING: To reduce the risk of serious personal injury, turn off the tool and disconnect it from the power source before attempting to move it, change accessories or make any adjustments accept as written in laser adjustment instructions.

Inspect carbon brushes regularly by unplugging tool, removing the motor end cap (Fig. 2), lift the brush spring and withdraw the brush assembly. Keep brushes clean and sliding freely in their guides. Always replace a used brush in the same orientation in the holder as it was prior to its removal. Carbon brushes have varying symbols stamped into their sides, and if the brush is worn down to approximately 1/2" (12.7 mm), the spring will no longer exert pressure and they must be replaced. Use only identical DEWALT brushes. Use of the correct grade of brush is essential for proper operation of electric brake. New brush assemblies are available at DEWALT service centers. The tool should be allowed to "run in" (run at no load) for 10 minutes before use to seat new brushes. The electric brake may be erratic in operation until the brushes are properly seated (worn in). Always replace the brush inspection cap after inspection or servicing the brushes.

While "running in" DO NOT TIE, TAPE, OR OTHERWISE LOCK THE TRIGGER SWITCH ON. HOLD BY HAND ONLY.

OPERATION

⚠ WARNING: To reduce the risk of serious personal injury, turn off the tool and disconnect it from the power source before attempting to move it, change accessories or make any adjustments accept as written in laser adjustment instructions.

⚠ WARNING: Always use eye protection. All users and bystanders must wear eye protection that conforms to ANSI Z87.1 (CAN/CSA Z94.3).

Plug the saw into any household 60 Hz power source. Refer to the nameplate for voltage. Be sure the cord will not interfere with your work.

SWITCH

To turn the saw on, depress the trigger switch shown in Figure 14. To turn the tool off, release the switch. There is no provision for locking the switch on, but a hole is provided in the trigger for insertion of a padlock to lock the saw off.

CUTTING WITH YOUR SAW

NOTE: Although this saw will cut wood and many non-ferrous materials, we will limit our discussion to the cutting of wood only. The same guidelines apply to the other materials. **DO NOT CUT FERROUS (IRON AND STEEL) MATERIALS OR MASONRY WITH THIS SAW.** Do not use any abrasive blades.

CROSSCUTS

Cutting of multiple pieces is not recommended but can be done safely by ensuring that each piece is held firmly against the table and fence. A crosscut is made by cutting wood across the grain at any angle. A straight crosscut is made with the miter arm at the zero degree position. Set the miter arm at zero, hold the wood on the table and firmly against the fence. Turn on the saw by squeezing the trigger switch shown in Figure 14.

When the saw comes up to speed (about 1 second) lower the arm smoothly and slowly to cut through the wood. **Let the blade come to a full stop before raising arm.**

⚠ CAUTION: Always use a work clamp to maintain control and reduce the risk of workpiece damage and personal injury.

Miter crosscuts are made with the miter arm at some angle other than zero. This angle is often 45° for making corners, but can be set anywhere from zero to 50° left or right. After selecting the desired miter angle, be sure to tighten the miter lock lever. Make the cut as described above.

To cut through an existing pencil line on a piece of wood, match the angle as close as possible. Cut the wood a little too long and measure from the pencil line to the cut edge to determine which direction to adjust the miter angle and recut. This will take some practice, but it is a commonly used technique.

BEVEL CUTS

A bevel cut is a crosscut made with the saw blade at a bevel to the wood. In order to set the bevel, loosen the bevel clamp knob and move the left side of the fence to allow clearance). Once the desired bevel angle has been set, tighten the bevel clamp knob firmly.

Bevel angles can be set from 3° right to 48° left and can be cut with the miter arm set between zero and 50° right or left. Ensure the fence has been adjusted properly. When cutting left bevel, or right miter compound cuts, it will be necessary to remove the adjustable fence.

QUALITY OF CUT

The smoothness of any cut depends on a number of variables. Things like material being cut, blade type, blade sharpness and rate of cut all contribute to the quality of the cut.

When smoothest cuts are desired for molding and other precision work, a sharp (60–80 tooth carbide) blade and a slower, even cutting rate will produce the desired results. Ensure that material does not creep while cutting. Clamp it securely in place. Always let the blade come to a full stop before raising the arm.

If small fibers of wood still split out at the rear of the workpiece, apply a piece of masking tape on the wood where the cut will be made. Saw through the tape and carefully remove tape when the cut is finished.

For varied cutting applications, refer to the list of recommended saw blades for your saw and select the one that best fits your needs (Page 4).

BODY AND HAND POSITION (FIG. 16)

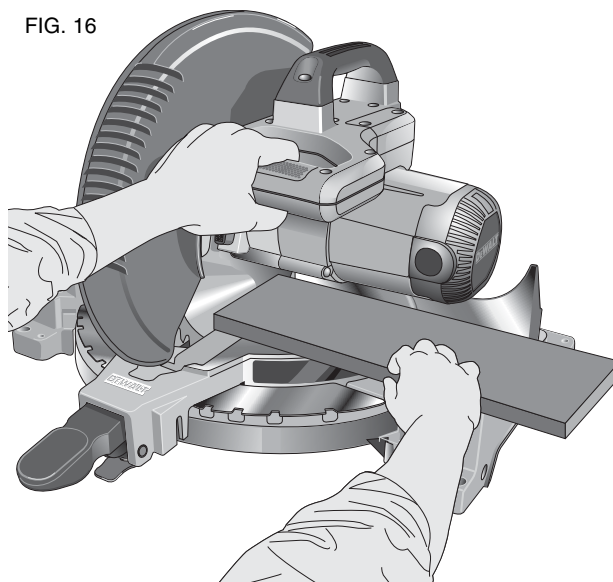
Proper positioning of your body and hands when operating the miter saw will make cutting easier, more accurate and safer. Never place hands near cutting area. Place hands no closer than 6" (152 mm) from the blade. Hold the workpiece tightly to the table and the fence when cutting. Keep hands in position until the trigger has been released and the blade has completely stopped. ALWAYS MAKE DRY RUNS (UNPOWERED) BEFORE FINISH CUTS SO THAT YOU CAN CHECK THE PATH OF THE BLADE. DO NOT CROSS HANDS, AS SHOWN IN FIGURE 15A.

Keep both feet firmly on the floor and maintain proper balance. As you move the miter arm left and right, follow it and stand slightly to the side of the saw blade. Sight through the guard louvers when following a pencil line.

CLAMPING THE WORKPIECE

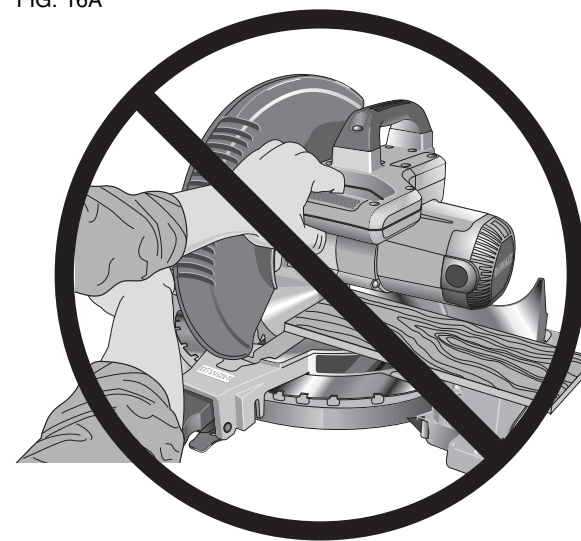
⚠WARNING: To reduce the risk of serious personal injury, turn off the tool and disconnect it from the power source before attempting to move it, change accessories or make any adjustments accept as written in laser adjustment instructions.

FIG. 16

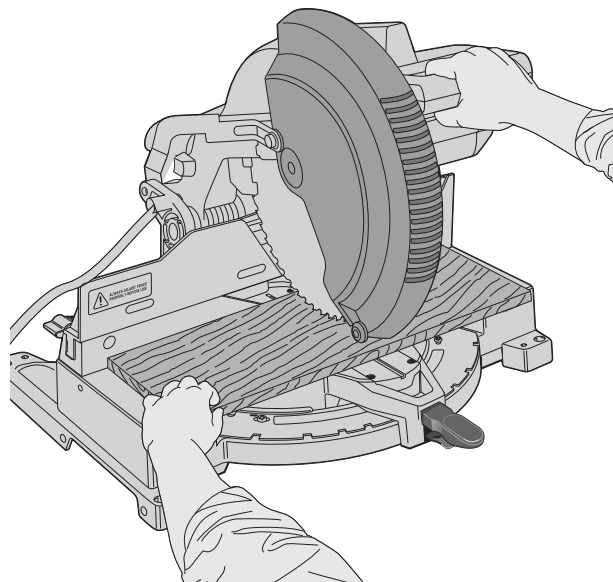


PROPER HAND POSITION

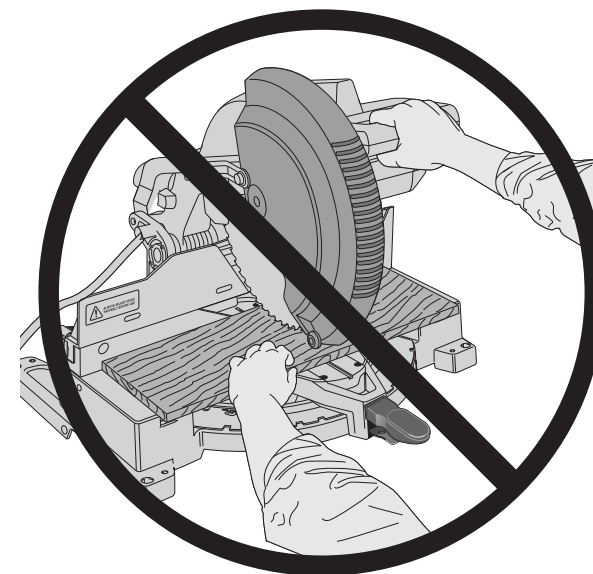
FIG. 16A



IMPROPER HAND POSITION



PROPER HAND POSITION



IMPROPER HAND POSITION

⚠ WARNING: A workpiece that is clamped, balanced and secure before a cut may become unbalanced after a cut is completed. An unbalanced load may tip the saw or anything the saw is attached to, such as a table or workbench. When making a cut that may become unbalanced, properly support the workpiece and ensure the saw is firmly bolted to a stable surface. Personal injury may occur.

⚠ WARNING: The clamp foot must remain clamped above the base of the saw whenever the clamp is used. Always clamp the workpiece to the base of the saw—not to any other part of the work area. Ensure the clamp foot is not clamped on the edge of the base of the saw.

⚠ CAUTION: Always use a work clamp to maintain control and reduce the risk of workpiece damage and personal injury.

If you cannot secure the workpiece on the table and against the fence by hand, (irregular shape, etc.) or your hand would be less than 6" (152 mm) from the blade, a clamp or other fixture should be used.

For best results use the DW7082 clamp made for use with your saw. It is available through your local retailer or DEWALT service center at extra cost.

Other aids such as spring clamps, bar clamps or C-clamps may be appropriate for certain sizes and shapes of material. Use care in selecting and placing these clamps. Take time to make a dry run before making the cut. The left fence will slide from side to side to aid in clamping.

TO INSTALL CLAMP (SOLD SEPARATELY)

1. Insert it into the hole behind the fence. The clamp should be facing toward the back of the miter saw. The groove on the clamp rod should be fully inserted into the base. Ensure this groove is fully inserted into the base of the miter saw. If the groove is visible, the clamp will not be secure.
2. Rotate the clamp 180° toward the front of the miter saw.
3. Loosen the knob to adjust the clamp up or down, then use the fine adjust knob to firmly clamp the workpiece.

NOTE: Place the clamp on the opposite side of the base when beveling. ALWAYS MAKE DRY RUNS (UNPOWERED) BEFORE FINISH CUTS TO CHECK THE PATH OF THE BLADE. ENSURE THE CLAMP DOES NOT INTERFERE WITH THE ACTION OF THE SAW OR GUARDS.

⚠ WARNING: A workpiece that is clamped, balanced and secure before a cut may become unbalanced after a cut is completed. An unbalanced load may tip the saw or anything the saw is attached to, such as a table or workbench. When making a cut that may become unbalanced, properly support the workpiece and ensure the saw is firmly bolted to a stable surface.

FIG. 17

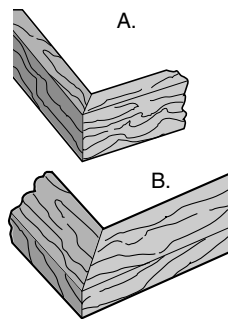


FIG. 18

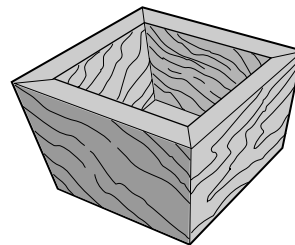


FIG. 19

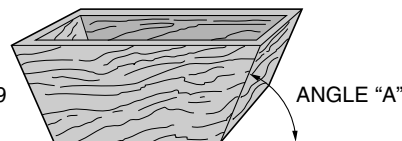


FIG. 20

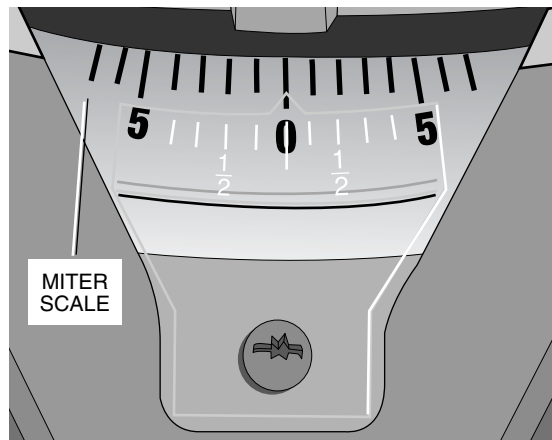
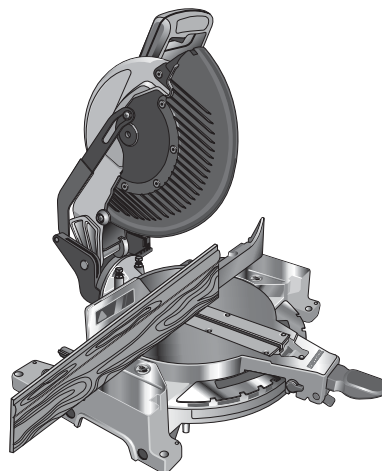


FIG. 21



⚠ WARNING: The clamp foot must remain clamped above the base of the saw whenever the clamp is used. Always clamp the workpiece to the base of the saw—not to any other part of the work area. Ensure the clamp foot is not clamped on the edge of the base of the saw.

SUPPORT FOR LONG PIECES

⚠ WARNING: To reduce the risk of serious personal injury, turn off the tool and disconnect it from the power source before attempting to move it, change accessories or make any adjustments accept as written in laser adjustment instructions.

ALWAYS SUPPORT LONG PIECES.

Never use another person as a substitute for a table extension; as additional support for a workpiece that is longer or wider than the basic miter saw table or to help feed, support or pull the workpiece.

For best results, use the DW7080 extension work support to extend the table width of your saw. Available from your dealer at extra cost.

Support long workpieces using any convenient means such as sawhorses or similar devices to keep the ends from dropping.

CUTTING PICTURE FRAMES, SHADOW BOXES AND OTHER FOUR-SIDED PROJECTS

To best understand how to make the items listed here, we suggest that you try a few simple projects using scrap wood until you develop a "FEEL" for your saw.

Your saw is the perfect tool for mitering corners like the one shown in Figure 17. Sketch A in Figure 17 shows a joint made by using the bevel adjustment to bevel the edges of the two boards at 45° each to produce a 90° corner. For this joint the miter arm was locked in the zero position and the bevel adjustment was locked at 45°. The wood was positioned with the broad flat side against the table and the narrow edge against the fence. The cut could also be made by mitering right and left with the broad surface against the fence.

CUTTING TRIM MOLDING AND OTHER FRAMES

Sketch B in Figure 17 shows a joint made by setting the miter arm at 45° to miter the two boards to form a 90° corner. To make this type of joint, set the bevel adjustment to zero and the miter arm to 45°. Once again, position the wood with the broad flat side on the table and the narrow edge against the fence.

The two sketches in Figure 17 are for four sided objects only.

As the number of sides changes, so do the miter and bevel angles. The chart below gives the proper angles for a variety of shapes. The chart assumes that all sides are of equal length. For a shape that is not shown in the chart, use the following formula. 180° divided by the number of sides equals the miter or bevel angle.

- EXAMPLES -	
NO. SIDES	ANGLE MITER OR BEVEL
4	45°
5	36°
6	30°
7	25.7°
8	22.5°
9	20°
10	18°

CUTTING COMPOUND MITERS

A compound miter is a cut made using a miter angle and a bevel angle at the same time. This is the type of cut used to make frames or boxes with slanting sides like the one shown in Figure 18.

NOTE: If the cutting angle varies from cut to cut, check that the bevel clamp knob and the miter lock knob are securely tightened. These knobs must be tightened after making any changes in bevel or miter.

The chart shown on page 16 will assist you in selecting the proper bevel and miter settings for common compound miter cuts. To use the chart, select the desired angle “A” (Figure 19) of your project and locate that angle on the appropriate arc in the chart. From that point follow the chart straight down to find the correct bevel angle and straight across to find the correct miter angle.

Set your saw to the prescribed angles and make a few trial cuts. Practice fitting the cut pieces together until you develop a feel for this procedure and feel comfortable with it.

EXAMPLE: To make a 4 sided box with 26° exterior angles (Angle A, Figure 19), use the upper right arc. Find 26° on the arc scale. Follow the horizontal intersecting line to either side to get miter angle setting on saw (42°). Likewise, follow the vertical intersecting line to the top or bottom to get the bevel angle setting on the saw (18°). Always try cuts on a few scrap pieces of wood to verify settings on saw.

MITER SCALE

The scale is used when calculating angles. To calculate the proper miter angle, divide 180° by the number of sides of the box or frame. Refer to the chart on page 11 for some examples.

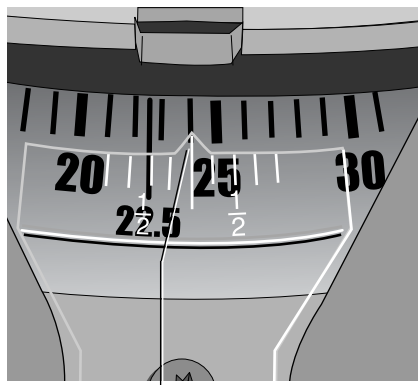
VERNIER SCALE (FIG. 23, 24)

Your saw is equipped with a vernier scale for added precision. The vernier scale allows you to accurately set miter angles to the nearest 1/4° (15 minutes). To use the vernier scale follow the steps listed below.

(As an example, let’s assume that the angle you want to miter is 24-1/4° right).

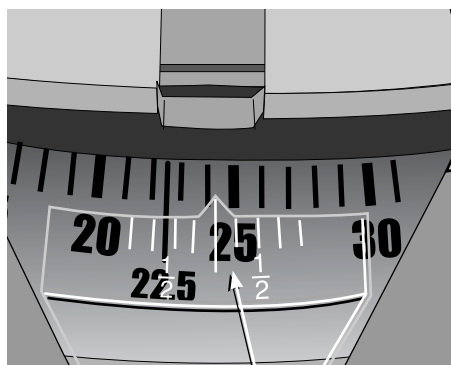
1. Turn off miter saw.
2. Set the miter angle to the nearest whole degree desired by aligning the center mark in the vernier scale, shown in Figure 23, with the whole degree number etched in

FIG. 23



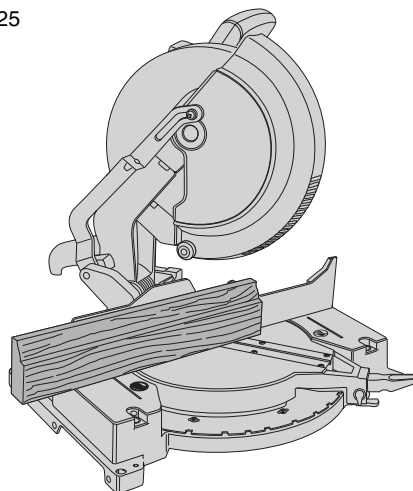
CENTER MARK ON VERNIER SCALE ALIGNS WITH DESIRED WHOLE ANGLE ON MITER SCALE (24° RIGHT MITER)

FIG. 24



1/4° VERNIER MARK ALIGNS WITH CLOSEST WHOLE DEGREE MARK ON MITER SCALE (24-1/4° RIGHT MITER)

FIG. 25



the miter scale. Examine Figure 23 closely; the setting shown is 24° right miter.

3. To set the additional 1/4°, squeeze the miter arm lock and carefully move the arm to the RIGHT until the 1/4° vernier mark aligns with the CLOSEST degree mark on the miter scale. In our example, the closest degree mark on the miter scale happens to be 25°. Figure 24 shows a setting of 24-1/4° right miter.

For settings that require partial degrees (1/4, 1/2, 3/4°) align the desired vernier mark with the CLOSEST degree mark on the miter scale, as described above. (The plastic vernier plate is inscribed with marks for 1/4, 1/2, 3/4 and 1°. Only the 1/2° is numerically labeled.)

WHEN MITERING TO THE RIGHT

To increase the miter angle when mitering to the right, move the arm to align the appropriate vernier mark with the closest mark on the miter scale to the right. To decrease the miter angle when mitering to the right, move the arm to align the appropriate vernier mark with the closest mark on the miter scale to the left.

WHEN MITERING TO THE LEFT

To increase the miter angle when mitering to the left, move the arm to align the appropriate vernier mark with the closest mark on the miter scale to the left. To decrease the miter angle when mitering to the left, move the arm to align the appropriate vernier mark with the closest mark on the miter scale to the right.

CUTTING BASE MOLDING

ALWAYS MAKE A DRY RUN WITHOUT POWER BEFORE MAKING ANY CUTS.

Straight 90° cuts :

Position the wood against the fence as shown in Figure 21. Turn on the saw, allow the blade to reach full speed and lower the arm smoothly through the cut.

CUTTING BASE MOLDING UP TO 3.5" (88.9 mm) HIGH VERTICALLY AGAINST THE FENCE

Position molding as shown in Figure 25.

All cuts are made with the back of the molding against the fence and bottom of the molding against the base.

INSIDE CORNER:

- Left side
1. Miter left 45°
 2. Save left side of cut
- Right side
1. Miter Right 45°
 2. Save right side of cut

OUTSIDE CORNER:

- Left side
1. Miter right at 45°
 2. Save left side of cut
- Right side
1. Miter left at 45°
 2. Save right side of cut

Material up to 3.5" (88.9 mm) can be cut as described above. For wider boards [up to 4.25" (107.95 mm)] several minor concessions must be made.

When cutting a board between 3.5" (88.9 mm) and 4.25" (107.95 mm) in width the roller on the tip of the guard could

hang up on the workpiece. If this occurs, simply place your right thumb on the upper side of the guard and roll the guard up just enough to clear the workpiece, as shown in Figure 28. Once you have cleared the workpiece, you can release the guard and it will continue to open as the cut progresses.

When mitering to the right side of a base molding wider than 3.5" (88.9 mm) standing vertically against the fence as in Figure 25, the saw can only cut through the board up to 1 inch from the end of the board. Trying to cut more than an inch will cause the saw's gear case to interfere with the workpiece. If you want to cut base molding between 3-1/2" (88.9 mm) and 4.25" (107.95 mm) wide vertically follow the directions below.

CUTTING 3.5" (88.9 mm)– 4.25" (107.95 mm) BASE MOLDING VERTICALLY AGAINST THE FENCE

- Position molding as shown in Figure 25.
- All cuts made with the back of the molding against the fence

INSIDE CORNER:

Left side

1. Position molding with bottom of molding against the base of the saw
2. Miter left 45°
3. Save left side of cut

Right side

1. Position molding with top of the molding resting on the base of the saw
2. Miter left 45°
3. Save left side of cut

OUTSIDE CORNER:

Left side

1. Position molding with bottom of molding against the base of the saw
2. Miter right 45°
3. Save left side of cut

NOTE: If the cut must be made somewhere other than 1" from the end of the molding: cut off the molding at 90° approx. 1" (25.4 mm) longer than your final length then make the miter cut as described above.

Right side

1. Position molding with bottom of the molding against the base of the saw
2. Miter left 45°
3. Save the right side of cut

A third method of making the cut necessary is to make a zero degree miter, 45° bevel cut. Your saw can cut a bevel 6.2" (157.5 mm) wide.

CUTTING BASE MOLDING LAYING FLAT AND USING THE BEVEL FEATURE

- All cuts made with the saw set at 45° bevel and 0 miter.

FIG. 26

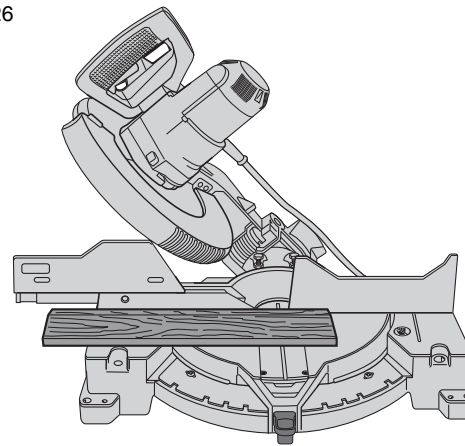


FIG. 27

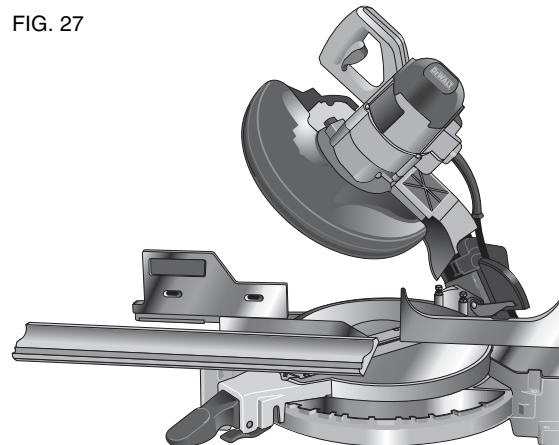
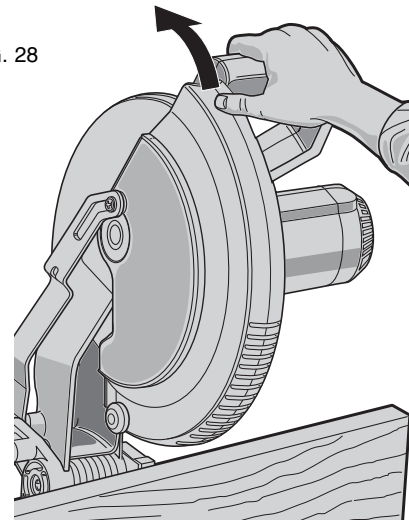


FIG. 28



- All cuts made with back of molding laying flat on the saw as shown in Figures 26.
- Move the left side fence out of the path of the blade before attempting any of the following cuts.

INSIDE CORNER:

Left side

1. Position molding with top of molding against the fence
2. Save left side of cut

Right side

1. Position molding with bottom of the molding against the fence
2. Save left side of cut

OUTSIDE CORNER:

Left side

1. Position molding with bottom of the molding against the fence
2. Save right side of cut

Right side

1. Position molding with top of molding against the fence
2. Save right side of cut

CUTTING CROWN MOLDING

Your miter saw is better suited to the task of cutting crown molding than any tool made. In order to fit properly, crown molding must be compound mitered with extreme accuracy.

The two flat surfaces on a given piece of crown molding are at angles that, when added together, equal exactly 90°. Most, but not all, crown molding has a top rear angle (the section that fits flat against the ceiling) of 52° and a bottom rear angle (the part that fits flat against the wall) of 38°.

Your miter saw has special pre-set miter detent points at 31.62° left and right for cutting crown molding at the proper angle (Fig. 27). There is also a mark on the Bevel scale at 33.85°.

The chart below gives the proper settings for cutting crown molding. (The numbers for the miter and bevel settings are very precise and are not easy to accurately set on your saw.) Since most rooms do not have angles of precisely 90°, you will have to fine tune your settings anyway.

PRETESTING WITH SCRAP MATERIAL IS EXTREMELY IMPORTANT!

FOR CUTTING CROWN MOLDING LAYING FLAT AND USING THE COMPOUND FEATURES

1. Move the left side fence out of the path of the blade before attempting any of the following cuts.
2. Molding laying with broad back surface down flat on saw table (Fig. 29).
3. The settings below are for all Standard (U.S.) crown molding with 52° and 38° angles.

BEVEL SETTING	TYPE OF CUT
33.85°	LEFT SIDE, INSIDE CORNER: 1. Top of molding against fence 2. Miter table set right 31.62° 3. Save left end of cut
	RIGHT SIDE, INSIDE CORNER: 1. Bottom of molding against fence 2. Miter table set left 31.62° 3. Save left end of cut
	LEFT SIDE, OUTSIDE CORNER: 1. Bottom of molding against fence 2. Miter table set left 31.62° 3. Save right end of cut
33.85°	RIGHT SIDE, OUTSIDE CORNER: 1. Top of molding against fence 2. Miter table set right 31.62° 3. Save right end of cut

FIG. 29

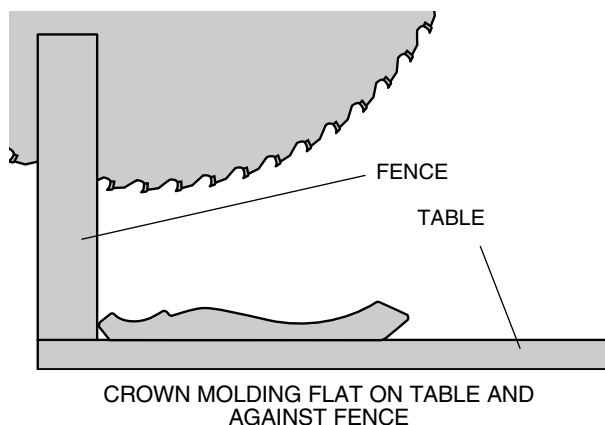
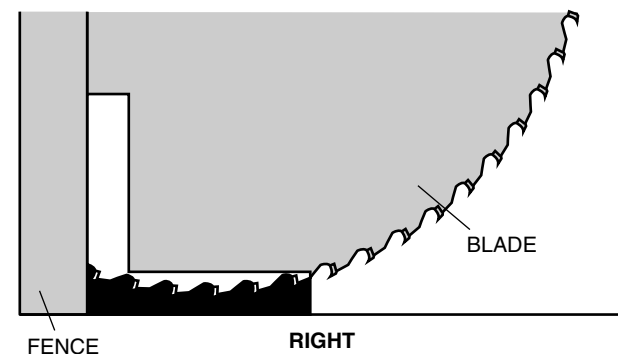


FIG. 31



When setting bevel and miter angles for all compound miters, remember that:

The angles presented for crown moldings are very precise and difficult to set exactly. Since they can easily shift slightly and very few rooms have exactly square corners, all settings should be tested on scrap molding.

PRETESTING WITH SCRAP MATERIAL IS EXTREMELY IMPORTANT!

ALTERNATIVE METHOD FOR CUTTING CROWN MOLDING

Place the molding on the table at an angle between the fence and the saw table, as shown in Figure 30. Use of the crown molding fence accessory (DW7084) is highly recommended because of its degree of accuracy and convenience. The crown molding fence accessory is available at extra cost from your local dealer.

FIG. 30

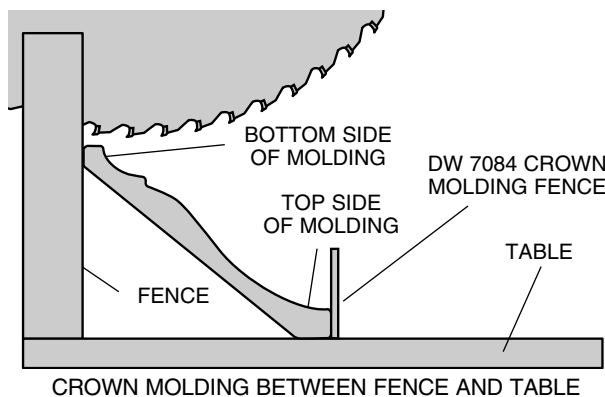
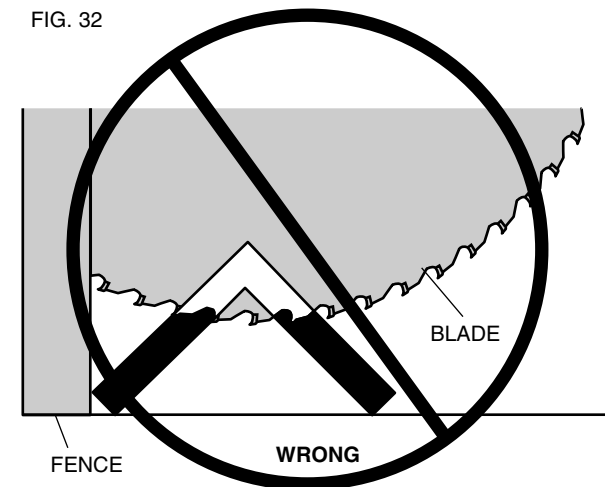


FIG. 32



The advantage to cutting crown molding using this method is that no bevel cut is required. Minute changes in the miter angle can be made without affecting the bevel angle. This way, when corners other than 90° are encountered, the saw can be quickly and easily adjusted for them. Use the crown molding fence accessory (DW7084) to maintain the angle at which the molding will be on the wall.

INSTRUCTIONS FOR CUTTING CROWN MOLDING ANGLED BETWEEN THE FENCE AND BASE OF THE SAW FOR ALL CUTS

1. Angle the molding so the bottom of the molding (part which goes against the wall when installed) is against the fence and the top of the molding is resting on the base of the saw, as shown in Figure 30.
2. The angled "flats" on the back of the molding must rest squarely on the fence and base of the saw.

INSIDE CORNER:

- Left side
1. Miter right at 45°
 2. Save right side of cut
- Right side
1. Miter left at 45°
 2. Save left side of cut

OUTSIDE CORNER:

- Left side
1. Miter left at 45°
 2. Save right side of cut
- Right side
1. Miter right at 45°
 2. Save left side of cut

Special Cuts

NEVER MAKE ANY CUT UNLESS THE MATERIAL IS SECURED ON THE TABLE AND AGAINST THE FENCE.

ALUMINUM CUTTING

ALWAYS USE THE APPROPRIATE SAW BLADE MADE ESPECIALLY FOR CUTTING ALUMINUM. These are available at your local DeWALT retailer or DeWALT service center. Certain workpieces, due to their size, shape or surface finish, may require the use of a clamp or fixture to prevent movement during the cut. Position the material so that you will be cutting the thinnest cross section, as shown in Figure 31. Figure 32 illustrates the wrong way to cut these extrusions. Use a stick wax cutting lubricant when cutting aluminum. Apply the stick wax directly to the saw blade before cutting. Never apply stick wax to a moving blade.

The wax, available at most hardware stores and industrial mill supply houses, provides proper lubrication and keeps chips from adhering to the blade.

Be sure to properly secure workpiece. Refer to page 4 for correct saw blade.

BOWED MATERIAL

When cutting bowed material always position it as shown in Figure 33 and never like that shown in Figure 34. Positioning the material incorrectly will cause it to pinch the blade near the completion of the cut.

CUTTING PLASTIC PIPE OR OTHER ROUND MATERIAL

Plastic pipe can be easily cut with your saw. It should be cut just like wood and **CLAMPED OR HELD FIRMLY TO THE FENCE TO KEEP IT FROM ROLLING**. This is extremely important when making angle cuts.

CUTTING LARGE MATERIAL

Occasionally you will encounter a piece of wood a little too large to fit beneath the blade guard. A little extra height can be gained by rolling the guard up out of the way, as shown in Figure 28. Avoid doing this as much as possible, but if need be, the saw will operate properly and make the bigger cut. **NEVER TIE, TAPE, OR OTHERWISE HOLD THE GUARD OPEN WHEN OPERATING THIS SAW.**

MAINTENANCE

DO NOT use lubricants or cleaners (particularly spray or aerosol) in the vicinity of the plastic guard. The polycarbonate material used in the guard is subject to attack by certain chemicals.

- All bearings are sealed. They are lubricated for life and need no further maintenance.
- Periodically clean all dust and wood chips from around AND UNDER the base and the rotary table. Even though slots are provided to allow debris to pass through, some dust will accumulate.
- The brushes are designed to give you several years of use. To replace the brushes refer to **Brushes** on page 8 or return the tool to the nearest service center for repair. A list of service center locations is packed with your tool.

SERVICE INFORMATION

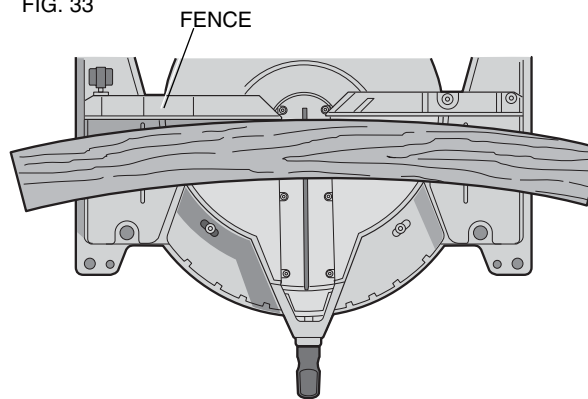
Please have the following information available for all service calls:

Model Number _____ Serial Number _____
Date and Place of Purchase _____

Repairs

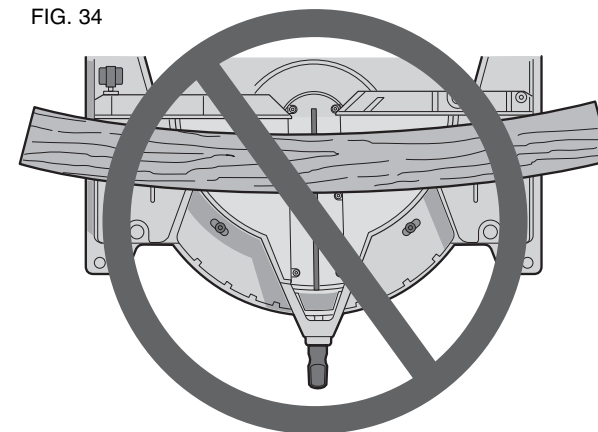
To assure product SAFETY and RELIABILITY, repairs, maintenance and adjustment should be performed by a DEWALT factory service center, a DEWALT authorized service center or other qualified service personnel. Always use identical replacement parts.

FIG. 33



CORRECT

FIG. 34



INCORRECT

Three Year Limited Warranty

DEWALT will repair, without charge, any defects due to faulty materials or workmanship for three years from the date of purchase. This warranty does not cover part failure due to normal wear or tool abuse. For further detail of warranty coverage and warranty repair information, visit www.dewalt.com or call 1-800-4-DEWALT (1-800-433-9258). This warranty does not apply to accessories or damage caused where repairs have been made or attempted by others. This warranty gives you specific legal rights and you may have other rights which vary in certain states or provinces.

In addition to the warranty, DEWALT tools are covered by our:

1 YEAR FREE SERVICE

DEWALT will maintain the tool and replace worn parts caused by normal use, for free, any time during the first year after purchase.

90 DAY MONEY BACK GUARANTEE

If you are not completely satisfied with the performance of your DEWALT Power Tool, Laser, or Nailer for any reason, you can return it within 90 days from the date of purchase with a receipt for a full refund – no questions asked.

LATIN AMERICA: This warranty does not apply to products sold in Latin America. For products sold in Latin America, see country specific warranty information contained either in the packaging, call the local company or see website for warranty information.

FREE WARNING LABEL REPLACEMENT: If your warning labels become illegible or are missing, call 1-800-4-DEWALT (1-800-433-9258) for a free replacement.

WARNING FOR YOUR OWN SAFETY READ INSTRUCTION MANUAL BEFORE OPERATING MITER SAW. KEEP HANDS OUT OF PATH OF SAW BLADE. DO NOT OPERATE SAW WITHOUT GUARDS IN PLACE. CHECK LOWER GUARD FOR PROPER CLOSING BEFORE EACH USE. ALWAYS TIGHTEN ADJUSTMENT BEFORE USE. DO NOT PERFORM ANY OPERATION FROM REAR. NEVER REACH BACK OF SAW BLADE. NEVER CROSS ARMS IN FRONT OF BLADE. TURN OFF TOOL AND WAIT FOR SAW BLADE TO STOP BEFORE MOVING WORKPIECE. CHANGING SETTINGS OR MOVING HANDS. DISCONNECT POWER BEFORE CHANGING BLADE OR SERVICING. TO REDUCE THE RISK OF INJURY, ALLOW SAW TO RETURN TO THE FULL UP POSITION AFTER EACH OPERATION. THINK YOU CAN PREVENT ACCIDENTS.

ADVERTENCIA PARA SU PROPIA SEGURIDAD, LEA EL MANUAL DE INSTRUCCIONES ANTES DE PONER EN MARCHA LA SIERRA DE INGLETE. MANTENGA LAS MANOS ALEJADAS DEL TRAYECTO DE LA HOJA DE LA SIERRA. NO OPERE LA SIERRA SI LOS PROTECTORES NO ESTAN ADECUADAMENTE INSTALADOS. VERIFIQUE QUE EL PROTECTOR INFERIOR CIERRE CORRECTAMENTE ANTES DE CADA USO. AJUSTE SIEMPRE LA REGULACION ANTES DE UTILIZAR LA HERRAMIENTA. NO REALICE NINGUNA OPERACION SIN UTILIZAR LAS MANOS. NUNCA SE ESTIRE PARA ALCANZAR ALGO DETRAS DE LA HOJA DE LA SIERRA. NUNCA CRUCE LOS BRAZOS FRENTE A LA HOJA. APAGUE LA HERRAMIENTA Y ESPERE QUE LA HOJA SE DETENGA POR COMPLETO ANTES DE RETIRAR LA PEZA DE OBRERO. ANTES DE AJUSTAR LA SIERRA O ANTES DE MOVER LAS MANOS, DESCONECTE LA HERRAMIENTA ANTES DE DARLE MANTENIMIENTO O ANTES DE CAMBIAR LA HOJA, A FIN DE REDUCIR EL RIESGO DE LESIONES PERSONALES. REGRESE LA SIERRA A LA POSICION VERTICAL LUEGO DE CADA OPERACION. ¡PRESTE ATENCION! USTED PUEDE EVITAR ACCIDENTES.

AVERTISSEMENT POUR VOTRE PROPRE SECURITE, LIRE LE MODE D'EMPLOI AVANT D'UTILISER LA SCIE A ONGLETS. GARDER LES MAINS HORS DE LA TRAJECTOIRE DE LA LAME DE LA SCIE. NE PAS UTILISER LA SCIE SANS QUE LES PARE-MAINS NE SOIENT EN PLACE. VÉRIFIER AVANT CHAQUE USAGE, QUE LE PARE-MAIN INFÉRIEUR SE FERME BIEN. TOUJOURS BIEN SERRER LES RÉGLAGES AVANT UTILISATION. EFFECTUER TOUTE OPÉRATION EN TENANT L'OUTIL DES DEUX MAINS. NE JAMAIS PASSER LES MAINS À L'ARRIÈRE DE LA LAME DE LA SCIE. NE JAMAIS PASSER LES BRAS DEVANT LA LAME. ÉTENDRE L'OUTIL ET ATTENDRE L'ARRÊT DE LA LAME DE LA SCIE AVANT DE DÉPLACER LA PIÈCE. DE MOUVRE LES RÉGLAGES OU DE DÉPLACER LES MAINS, DÉCONNECTER LA SCIE AVANT DE REMPLACER UNE LAME OU PROCÉDER À UNE RÉPARATION. AFIN DE RÉDUIRE LE RISQUE DE BLESSURES, LASSER LA SCIE REVENIR EN POSITION COMPLÈTEMENT RELEVÉE APRÈS CHAQUE UTILISATION. IL SUFFIT DE RÉFLÉCHIR DES ACCIDENTS PEUVENT ÊTRE ÉVITÉS.

PROPERLY SECURE BRACKET WITH BOTH SCREWS BEFORE USE.
ASEGURE LA MENSULA DEBIDAMENTE CON AMBOS TORNILLOS ANTES DE PONER EN MARCHA LA HERRAMIENTA.
BIEN FIXER LE SUPPORT À LAIDE DE DEUX VIS AVANT L'UTILISATION.

DW713 10" (254mm) COMPOUND MITER SAW

WARNING TO REDUCE THE RISK OF INJURY, USER MUST READ THE INSTRUCTION MANUAL BEFORE OPERATING MITER SAW. WHEN SERVICING, USE ONLY IDENTICAL REPLACEMENT PARTS. DO NOT EXPOSE TO RAIN OR USE IN DAMP LOCATIONS. ALWAYS USE PROPER EYE AND RESPIRATORY PROTECTION.

ADVERTENCIA PARA SU PROPIA SEGURIDAD, LEA DETENIDAMENTE EL MANUAL DE INSTRUCCIONES ANTES DE PONER EN MARCHA LA SIERRA DE INGLETE. A LA HORA DE PRESTAR MANTENIMIENTO, SE DEBERA UTILIZAR SOLAMENTE PIEZAS IDENTICAS DE REEMPLAZO. NO EXPONGA LA HERRAMIENTA A LA LLUVIA NI LA HAGA FUNCIONAR EN LOS LUGARES HUMEDOS. SIEMPRE SE DEBERA UTILIZAR LAS GUARDIAS Y LA PROTECCION APROPIADA PARA ESMEBLAR AL LUGAR QUE PARA PROTEGER LA VISTA Y LAS VIAS RESPIRATORIAS.

AVERTISSEMENT PAR MESURE DE SECURITE, LIRE LE GUIDE D'UTILISATION AVANT DE SE SERVIR DE LA SCIE A ONGLETS. LORS DES TRAVAUX D'ENTRETIEN, N'UTILISEZ QUE DES PIÈCES DE REMPLACEMENT IDENTIQUES. NE PAS EXPOSER L'OUTIL À LA PLUIE NI EN SE SERVIR DANS DES ENDROITS HUMIDES. TOUJOURS PORTER DE L'ÉQUIPEMENT DE PROTECTION OCULAIRE ET RESPIRATOIRE APPROPRIÉ.

DEWALT INDUSTRIAL TOOL CO., BALTIMORE MD, 21286 USA
FOR SERVICE INFORMATION, CALL 1-800-4-DEWALT www.dewalt.com



ALWAYS ADJUST FENCE PROPERLY BEFORE USE. CLAMP SMALL PIECES BEFORE CUTTING. SEE MANUAL.
AJUSTE LA GUÍA DEBIDAMENTE ANTES DE UTILIZAR LA HERRAMIENTA. ASEGURE LAS PIEZAS PEQUEÑAS ANTES DE CORTARLAS. CONSULTE EL MANUAL.
TOUJOURS RÉGLER LE GUIDE AVANT UTILISATION. FIXER LES PETITS OBJETS AVANT DE LES SCIER. CONSULTER LE GUIDE D'UTILISATION.

Troubleshooting Guide

BE SURE TO FOLLOW SAFETY RULES AND INSTRUCTIONS

TROUBLE!	WHAT'S WRONG?	WHAT TO DO
<i>Saw will not start</i>	1. Saw not plugged in	1. Plug in saw.
	2. Fuse blown or circuit breaker tripped	2. Replace fuse or reset circuit breaker.
	3. Cord damaged	3. Have cord replaced by authorized service center.
	4. Brushes worn out	4. Have brushes replaced by authorized service center or replace them yourself as instructed on page 8.
<i>Saw makes unsatisfactory cuts</i>	1. Dull blade	1. Replace blade, see page 5.
	2. Blade mounted backwards	2. Turn blade around, see page 6.
	3. Gum or pitch on blade	3. Remove blade and clean with turpentine and coarse steel wool or household oven cleaner
	4. Incorrect blade for work being done	4. Change the blade type, see page 4.
<i>Blade does not come up to speed</i>	1. Extension cord too light or too long	1. Replace with adequate size cord, see page 1.
	2. Low house current	2. Contact your electric company.
<i>Machine vibrates excessively</i>	1. Saw not mounted securely to stand or work bench	1. Tighten all mounting hardware, see page 5.
	2. Stand or bench on uneven floor	2. Reposition on flat level surface, see page 5.
	3. Damaged saw blade	3. Replace blade, see page 5.
<i>Does not make accurate miter cuts</i>	1. Miter scale not adjusted correctly	1. Check and adjust, see page 6.
	2. Blade is not square to fence	2. Check and adjust, see page 6.
	3. Blade is not perpendicular to table	3. Check and adjust fence, see page 6.
	4. Workpiece moving	4. Clamp workpiece securely to fence
<i>Material pinches blade</i>	1. Cutting bowed material	1. Position bowed material as shown on page 13.

TABLE 1: COMPOUND MITER CUT
 (POSITION WOOD WITH BROAD FLAT SIDE ON THE TABLE AND THE NARROW EDGE AGAINST THE FENCE)

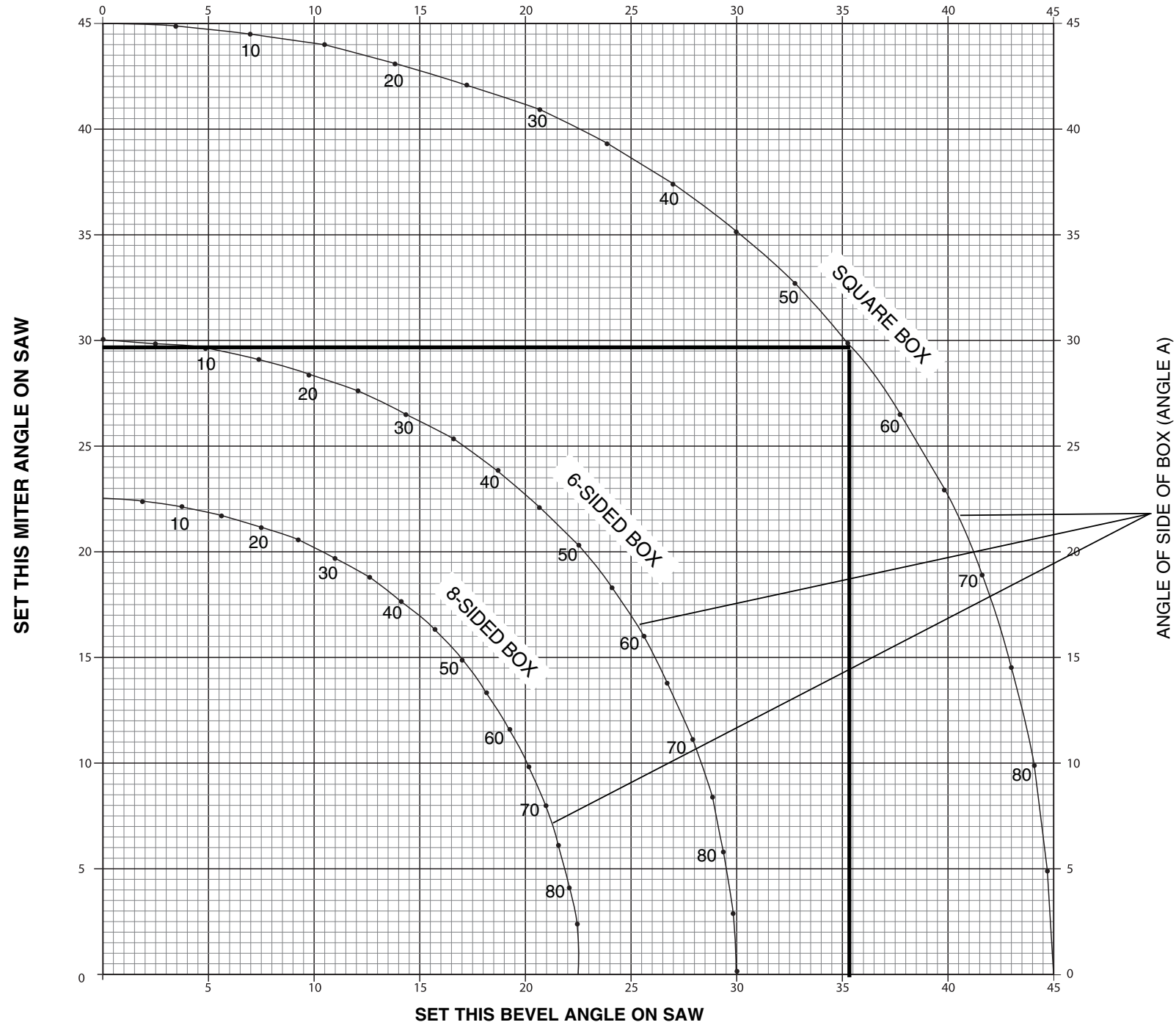


Table des matières

DÉFINITIONS : LIGNES DIRECTRICES EN MATIÈRE DE SÉCURITÉ	18	FONCTIONNEMENT	26
CONSIGNES DE SÉCURITÉ IMPORTANTES	18	DÉTENTE	26
INSTRUCTIONS RELATIVES À LA DOUBLE ISOLATION ET À LA FICHE POLARISÉE.....	18	COUPE À L'AIDE DE VOTRE SCIE	26
DIRECTIVES DE SÉCURITÉ POUR TOUS LES OUTILS	18	COUPES TRANSVERSALES.....	26
RÈGLES DE SÉCURITÉ SUPPLÉMENTAIRES.....	19	COUPES EN BISEAU	27
CONNEXION ÉLECTRIQUE.....	21	QUALITÉ DE COUPE	27
DÉBALLAGE DE LA SCIE	21	POSITION DU CORPS ET DES MAINS.....	28
FAMILIARISATION.....	21	FIXATION DE LA PIÈCE	28
FICHE TECHNIQUE.....	21	INSTALLATION DE LA BRIDE	28
ACCESSOIRES FACULTATIFS	21	SOUTIEN DES PIÈCES LONGUES	29
ACCESSOIRES	22	DÉCOUPE DE CADRES, DE COFFRAGES ET D'AUTRES OBJETS À QUATRE FACES	29
MONTAGE SUR ÉTABLI	22	COUPE DE MOULURES DE GARNISSAGE ET D'AUTRES CADRES.....	29
CHANGEMENT OU POSE D'UNE LAME DE SCIE NEUVE	23	COUPE À ONGLETS MIXTES.....	29
TRANSPORT DE LA SCIE	24	ÉCHELLE À ONGLETS	29
RÉGLAGES	24	ÉCHELLE À VERNIER	29
RÉGLAGE DE L'ÉCHELLE D'ONGLETS	24	POUR L'ASSEMBLAGE EN ONGLET À DROITE	30
RÉGLAGE DU POINTEUR D'ONGLET	24	POUR L'ASSEMBLAGE EN ONGLET À GAUCHE.....	30
RÉGLAGE DU BISEAU EN ÉQUERRE AVEC LA TABLE	24	COUPE DE MOULURE D'EMBASE	30
POINTEUR DE BISEAU	24	COUPE DE MOULURE COURONNÉE	31
BUTÉE DE BISEAU	24	COUPES SPÉCIALES.....	32
RÉGLAGE DU GUIDE	25	ENTRETIEN.....	33
ACTIVATION ET VISIBILITÉ DU PARE-MAIN	25	RÉPARATIONS	33
FREIN ÉLECTRIQUE AUTOMATIQUE	25	GARANTIE.....	33
RÉGLAGE DU VERROUILLAGE DE L'ONGLET	26	GUIDE DE DÉPANNAGE.....	34
BALAIS.....	26	TABLEAU DE RÉFÉRENCE POUR COUPE À ONGLETS MIXTES.....	35

Définitions : Lignes directrices en matière de sécurité

Les définitions ci-dessous décrivent le niveau de gravité pour chaque symbole. Veuillez lire le mode d'emploi et porter une attention particulière à ces symboles.

▲ **DANGER** : Indique une situation dangereuse imminente qui, si elle n'est pas évitée, causera la mort ou des blessures graves.

▲ **AVERTISSEMENT** : Indique une situation potentiellement dangereuse qui, si elle n'est pas évitée, pourrait se solder par un décès ou des blessures graves.

▲ **ATTENTION** : Indique une situation potentiellement dangereuse qui, si elle n'est pas évitée pourrait se solder par des blessures mineures ou modérées.

AVIS : Indique une pratique ne posant aucun risque de dommages corporels mais qui par contre, si rien n'est fait pour l'éviter, pourrait poser des risques de dommages matériels.

POUR TOUTE QUESTION OU TOUT COMMENTAIRE SUR CET OUTIL OU SUR TOUT AUTRE OUTIL DeWALT, COMPOSER LE NUMÉRO SANS FRAIS SUIVANT : 1-800-4-DEWALT (1-800-433-9258).

CONSIGNES DE SÉCURITÉ IMPORTANTES

▲ **AVERTISSEMENT** : Lire toutes les directives avant d'utiliser le produit. Négliger de suivre toutes les directives suivantes peut entraîner des risques de chocs électriques, d'incendie et/ou de blessures graves.

LIRE TOUTES CES DIRECTIVES

Double isolation

Les outils à double isolation comportent partout deux couches d'isolation électrique séparées ou une double épaisseur de matériau isolant entre l'opérateur et le système électrique de l'outil. Les outils comportant ce système d'isolation ne sont pas conçus pour être mis à la terre. L'outil est donc doté d'une prise à deux broches qui permet d'utiliser des rallonges sans avoir à se soucier de maintenir une connexion à la terre.

REMARQUE : la double isolation ne remplace pas les précautions normales de sécurité lors de l'utilisation de cet outil. Le système d'isolation sert à apporter une protection accrue contre toute blessure résultant d'une défaillance d'isolation électrique potentielle à l'intérieur de l'outil.

▲ **ATTENTION** : EN CAS DE RÉPARATION, UTILISER UNIQUEMENT DES PIÈCES DE RECHANGE IDENTIQUES. Réparer ou remplacer les cordons d'alimentation endommagés.

Fiches polarisées

Certains appareils comportent des fiches polarisées (c'est-à-dire qu'une lame est plus large que l'autre) afin de réduire le risque de choc électrique. Lorsqu'elle est présente, cette fiche ne se branche que d'une seule façon dans une prise de courant polarisée. Si la fiche ne s'insère pas totalement dans la prise de courant, l'inverser. Si elle ne s'insère toujours pas dans la prise, demander à un électricien compétent d'installer une fiche polarisée. Ne pas remplacer la fiche.

Consignes de sécurité pour tous les outils

Cette scie à onglets est compatible avec la lampe de travail et le laser DEWALT.

▲ **AVERTISSEMENT** : **TOUJOURS** utiliser une protection oculaire lors de l'utilisation de la scie à onglets pour réduire le risque de blessures aux yeux.

- **MAINTENIR LE PROTÈGE-LAME EN PLACE** et en état de fonctionnement.
- **RETIRER LES CLÉS À MOLETTE ET LES CLÉS DE RÉGLAGE.** S'habituer à vérifier si les clés à molette et les clés de réglage sont retirées de la broche avant de mettre l'outil sous tension. Des outils, des déchets de découpe et d'autres débris peuvent être projetés à grande vitesse, provoquant des blessures.

- **GARDER LA ZONE DE TRAVAIL PROPRE.** Les zones et établis encombrés sont souvent des causes d'accidents.
- **NE PAS UTILISER L'APPAREIL DANS UN ENVIRONNEMENT DANGEREUX.** L'utilisation d'outils électriques dans des endroits humides ou mouillés ou sous la pluie peut provoquer un choc électrique ou une électrocution. Tenir la zone de travail bien éclairée pour éviter de trébucher ou de mettre bras, mains et doigts en danger.
- **TENIR LES ENFANTS À L'ÉCART.** Tous les visiteurs doivent se trouver à une distance sûre de la zone de travail. Un atelier représente un environnement potentiellement dangereux.
- **S'ASSURER QUE L'ATELIER NE PRÉSENTE PAS DE DANGER POUR LES ENFANTS** : utiliser des cadenas, des interrupteurs principaux ou retirer les clés de démarrage. Le démarrage non autorisé d'un appareil par un enfant ou un visiteur pourrait se solder par des blessures.
- **NE PAS FORCER L'OUTIL.** Le travail sera mieux accompli et sera moins dangereux au rythme prévu pour l'appareil.
- **UTILISER L'OUTIL APPROPRIÉ.** Ne pas forcer un outil ou un accessoire pour effectuer un travail auquel il n'a pas été conçu. L'utilisation d'un outil ou d'un accessoire inapproprié pourrait se solder par des blessures corporelles.
- **PORTER LES VÊTEMENTS APPROPRIÉS.** Ne pas porter ni vêtement ample, ni gant, ni cravate, ni bague, ni bracelet, ni autre bijou, car ces derniers pourraient s'enchevêtrer dans des pièces mobiles. Des souliers antidérapants sont recommandés. Se couvrir les cheveux s'ils sont longs. Se tenir éloigné des événements, car ces derniers pourraient camoufler des pièces mobiles.
- **TOUJOURS PORTER DES LUNETTES DE SÉCURITÉ.** Les lunettes ordinaires ne constituent PAS des lunettes de sécurité. Utiliser également un masque facial ou antipoussière si l'opération de découpe génère de la poussière. **TOUJOURS PORTER UN ÉQUIPEMENT DE SÉCURITÉ HOMOLOGUÉ** :
 - protection oculaire conforme à la norme ANSI Z87.1 (CAN/CSA Z94.3);
 - protection auditive conforme à la norme ANSI S12.6 (S3.19);
 - protection des voies respiratoires conforme aux normes NIOSH/OSHA/MSHA.
- **FIXER LA PIÈCE.** Utiliser des brides de fixation ou un étau pour maintenir la pièce sur la table et contre le guide. Faire de même lorsque le travail à effectuer exigera que la main de l'opérateur se trouve très proche de la lame (à moins de 152 mm [6 po]). Une telle pratique est plus sécuritaire, car l'opérateur peut utiliser ses deux mains pour faire fonctionner l'outil.
- **NE PAS TROP TENDRE LES BRAS.** Conserver son équilibre en tout temps. Une perte d'équilibre risque d'entraîner une blessure corporelle.
- **PRENDRE SOIN DES OUTILS.** S'assurer que les outils sont aiguisés et propres afin d'optimiser sécurité et performance. Suivre les consignes de graissage et de changement d'accessoires. Les machines et outils mal entretenus peuvent s'endommager davantage et/ou provoquer des blessures.
- **ÉTEINDRE L'APPAREIL ET COUPER LE COURANT** avant d'installer ou de retirer des accessoires, avant de réaliser ou de modifier un réglage et lors de réparations ou de déplacements de l'appareil. Un démarrage accidentel peut provoquer des blessures. Ne pas toucher aux lames métalliques de la fiche lors du branchement ou du débranchement du cordon d'alimentation.
- **RÉDUIRE LE RISQUE DE DÉMARRAGE ACCIDENTEL.** S'assurer que l'interrupteur se trouve sur la position « ARRÊT » avant de brancher le cordon d'alimentation.
- **UTILISER UNE RALLONGE APPROPRIÉE.** S'assurer que la rallonge est en bon état. Si le produit est doté d'un cordon amovible, utiliser uniquement une rallonge à 3 fils pourvue d'une fiche de mise à la terre à 3 lames et d'une prise à 3 fentes correspondant à la fiche de l'outil. Lorsqu'une rallonge est utilisée, s'assurer d'utiliser un calibre suffisamment élevé pour assurer le transport du courant nécessaire au fonctionnement de l'appareil. Une rallonge de calibre inférieur causera une chute de tension de ligne et

donc une perte de puissance et une surchauffe. Le tableau suivant indique le calibre approprié à utiliser selon la longueur de la rallonge et l'intensité nominale de la plaque signalétique. En cas de doute, utiliser le calibre supérieur suivant. Plus le numéro de calibre est petit, plus le cordon est de calibre élevé.

Calibre minimum pour rallonge						
Intensité nominale		Volts	Longueur totale du cordon en mètres (en pieds)			
			120V	7,6 (25)	15,2 (50)	30,5 (100)
		240V	15,2 (50)	30,5 (100)	61,0 (200)	91,4 (300)
Plus de	Pas plus de	AWG				
0	6		5,5 (18)	4,9 (16)	4,9 (16)	4,3 (14)
6	10		5,5 (18)	4,9 (16)	4,3 (14)	3,7 (12)
10	12		4,9 (16)	4,9 (16)	4,3 (14)	3,7 (12)
12	16		4,3 (14)	3,7 (12)	Non recommandé	

- **VÉRIFIER QUE LES PIÈCES NE SONT PAS ENDOMMAGÉES.** Avant toute utilisation ultérieure de l'outil, un protège-lame (ou une autre pièce) endommagé doit être soigneusement examiné afin de déterminer s'il fonctionnera correctement et remplira sa fonction prévue – vérifier l'alignement des pièces mobiles, la présence de grippage des pièces mobiles, de rupture de pièces, la fixation et tout problème pouvant nuire au fonctionnement de l'outil. Un protège-lame (ou toute autre pièce) endommagé doit être réparé et remplacé adéquatement. Ne pas utiliser l'appareil si l'interrupteur ne fonctionne pas.
- **UTILISER LES ACCESSOIRES RECOMMANDÉS.** N'utiliser que les accessoires conseillés par le fabricant pour le modèle de l'outil. Des accessoires qui conviennent à un outil pourraient être dangereux lorsqu'ils sont utilisés avec un autre outil. Une liste des accessoires recommandés se trouve dans le mode d'emploi. L'utilisation d'accessoires incorrects peut entraîner un risque de blessure corporelle.
- **NE JAMAIS SE TENIR SUR L'OUTIL.** Une blessure grave pourrait se produire en cas de basculement de l'outil ou de démarrage accidentel de l'outil de découpe.
- **NE JAMAIS LAISSER L'OUTIL FONCTIONNER SANS SURVEILLANCE. ÉTEINDRE L'APPAREIL.** Ne pas laisser l'outil tant qu'il n'est pas complètement arrêté. De graves blessures pourraient survenir.
- **NE PAS UTILISER D'OUTILS ÉLECTRIQUES À PROXIMITÉ DE LIQUIDES INFLAMMABLES OU DANS UNE ATMOSPHÈRE GAZEUSE OU EXPLOSIVE.** Les moteurs de ces outils peuvent provoquer des étincelles et enflammer des vapeurs.
- **ÊTRE VIGILANT, SURVEILLER LE TRAVAIL EFFECTUÉ ET FAIRE PREUVE DE JUGEMENT. NE PAS UTILISER L'APPAREIL EN CAS DE FATIGUE OU SOUS L'INFLUENCE DE DROGUES, D'ALCOOL ou DE MÉDICAMENTS.** En effet, un moment d'inattention en utilisant des outils électriques peut se solder par des blessures.

Règles de sécurité supplémentaires pour les scies à onglets

⚠ AVERTISSEMENT : Ne pas laisser une bonne connaissance de l'outil (acquise par l'utilisation fréquente de la scie) prendre préséance sur les règles de sécurité. Toujours se souvenir qu'une fraction de seconde d'imprudance est suffisante pour infliger de graves blessures.

- **NE PAS FAIRE FONCTIONNER CET APPAREIL** avant qu'il ne soit entièrement assemblé et installé conformément aux directives. Un appareil mal assemblé peut provoquer des blessures graves.
- **DEMANDER CONSEIL** à un superviseur, à un instructeur ou à toute autre personne qualifiée si l'on ne maîtrise pas parfaitement l'utilisation de cet appareil. La connaissance est synonyme de sécurité.

- **STABILITÉ.** S'assurer que la scie à onglets est posée sur une surface portante fixe et ne risque pas de glisser ou de se déplacer durant son utilisation. Si le système de mobilité est installé, relever la ou les roulettes mobiles de manière à ce que la scie soit en position stable.
- **SUIVRE TOUS LES CODES DE CÂBLAGE** et les branchements électriques recommandés afin d'éviter les chocs électriques ou l'électrocution. Il faut protéger la ligne d'alimentation électrique avec un fusible à temporisation ou un disjoncteur d'au moins 15 ampères.
- **S'ASSURER** que la lame tourne dans le bon sens. Les dents de la lame doivent pointer dans le sens de rotation, comme il est indiqué sur la scie.
- **SERRER TOUTES LES POIGNÉES DE FIXATION,** les boutons et les leviers avant l'utilisation de la scie. Si les brides sont lâches, des pièces ou la pièce à travailler pourraient être projetées à grande vitesse.
- **S'ASSURER QUE** la lame au complet et les attaches de lame sont propres, que les côtés encastrés des attaches de lame sont appuyés sur la lame et que la vis de l'arbre est bien serrée. Un mécanisme de serrage de lame lâche ou mal installé risque d'endommager la scie et de provoquer des blessures corporelles.
- **UTILISER TOUJOURS UNE LAME TRANCHANTE.** Vérifier que la lame fonctionne bien dans l'axe et qu'elle ne vibre pas. Une lame émoussée ou une lame qui vibre peut endommager l'appareil et/ou provoquer des blessures graves.
- **NE PAS UTILISER UNE TENSION AUTRE QUE CELLE DÉSIGNÉE** pour la scie. Une tension autre risquerait d'entraîner une surchauffe, des dommages à la scie et des blessures corporelles.
- **NE PAS PLACER QUOI QUE CE SOIT CONTRE LE VENTILATEUR** pour retenir l'arbre moteur. Une telle pratique peut endommager l'outil et entraîner des blessures corporelles.
- **NE PAS** forcer l'action de coupe. Le calage partiel ou complet du moteur peut causer des dommages à l'appareil ou à la lame et/ou des blessures graves.
- **LAISSER LE MOTEUR ATTEINDRE SON PLEIN RÉGIME** avant de commencer la coupe. Commencer à couper trop tôt peut endommager l'appareil ou la lame et/ou provoquer des blessures graves.
- **NE JAMAIS COUPER DE MÉTAUX FERREUX** (métaux contenant du fer ou de l'acier) ni de la maçonnerie. En coupant l'un ou l'autre de ces matériaux, les pointes carburées peuvent se détacher de la lame, et ce, à grande vitesse. Cela peut provoquer des blessures graves.
- **NE PAS UTILISER DE MEULES ABRASIVES.** La chaleur excessive et les particules abrasives qu'elles produisent risquent d'endommager la scie et de causer des blessures corporelles.
- **AUCUNE** partie du corps ne doit se trouver dans la trajectoire de la lame de la scie. Un tel positionnement risque d'entraîner des blessures corporelles.
- **NE JAMAIS** appliquer de lubrifiant sur une lame en fonctionnement. L'application de lubrifiant pourrait amener l'opérateur à déplacer ses mains jusque sur la lame et ainsi se blesser gravement.
- **IL NE FAUT PAS** placer une main à proximité de la lame lorsque la scie est branchée au bloc d'alimentation. Le fonctionnement inopiné de la lame risquerait d'entraîner des blessures graves.
- **NE PAS RÉALISER D'OPÉRATIONS À MAIN LEVÉE** (pièce à travailler non soutenue par la table et le guide). Tenir la pièce à travailler fermement contre le guide et la table. Une opération à main levée avec une scie à onglets risquerait de projeter la pièce à grande vitesse, provoquant ainsi des blessures graves.
- **NE PAS PASSER LES MAINS AUTOUR** de la lame de scie ou derrière celle-ci. Une lame peut provoquer des blessures graves.
- **IL NE FAUT PAS** passer les mains sous la scie sauf si elle est hors tension et débranchée. Tout contact avec la lame de scie pourrait entraîner des blessures corporelles.

- **FIXER L'APPAREIL SUR UNE SURFACE DE SUPPORT STABLE.** Les vibrations sont susceptibles de faire glisser, sautiller ou basculer l'appareil, ce qui peut provoquer des blessures graves.
- **UTILISER UNIQUEMENT LES LAMES À TRONÇONNER** recommandées pour les scies à onglets. Pour des résultats optimaux, ne pas utiliser de lames à pointes de carbure avec un angle d'attaque supérieur à 7 degrés. Ne pas utiliser des lames à dents très espacées. Celles-ci peuvent dévier et faire contact avec le protège-lame et endommager ainsi l'appareil et/ou provoquer des blessures graves.
- **UTILISER SEULEMENT DES LAMES DE DIMENSION ET DE TYPE APPROPRIÉS** prévues pour cet outil, et ce, pour éviter d'endommager l'appareil et/ou d'entraîner des blessures graves.
- **INSPECTER LA LAME POUR REPÉRER DES FISSURES** ou d'autres dommages avant l'utilisation. Une lame fissurée ou endommagée peut se détacher et des fragments peuvent être projetés à grande vitesse, ce qui peut provoquer des blessures graves. Remplacer les lames fissurées ou endommagées immédiatement.
- **NETTOYER LA LAME ET LES ATTACHES DE LAME** avant l'utilisation. Le nettoyage de la lame et des attaches de lame permet de détecter tout dommage à la lame ou aux attaches de lame. Une lame ou une attache de lame fissurée ou endommagée peut se détacher et des fragments peuvent être projetés à grande vitesse, ce qui peut provoquer des blessures graves.
- **IL NE FAUT PAS** utiliser de graisse ni de produits nettoyants (en particulier de pulvérisateur ou d'aérosol) à proximité du protège-lame en plastique. Certains produits chimiques peuvent attaquer le matériau de polycarbonate dont il est constitué.
- **TOUJOURS UTILISER LA PLAQUE DE TRAIT DE SCIE ET LA REMPLACER LORSQU'ELLE EST ENDOMMAGÉE.** L'accumulation de petits copeaux sous la scie pourrait nuire à la lame ou rendre la pièce instable lors de la découpe.
- **UTILISER SEULEMENT LES ATTACHES DE LAME** prévues pour cet outil afin de prévenir tout dommage et/ou des blessures graves
- **DÉGAGER LES ÉVÉNEMENTS DU MOTEUR** de toute sciure ou de tout copeau. Des événements de moteur obstrués peuvent provoquer la surchauffe de l'appareil, ce qui l'endommagerait et provoquerait peut-être un court-circuit qui pourrait engendrer des blessures graves.
- **TENIR LES BRAS, LES MAINS ET LES DOIGTS** éloignés de la lame afin d'éviter des coupures graves. Fixer solidement toutes les pièces qui exigeraient que la main soit à moins de 152 mm (6 po) de la lame de scie.
- **NE JAMAIS VERROUILLER L'INTERRUPTEUR** en position de « MARCHÉ ». Une telle pratique peut entraîner des blessures corporelles graves.
- **ÉTEINDRE L'APPAREIL** et laisser la lame s'immobiliser complètement avant de relever le bras, de nettoyer la zone de la lame, d'enlever les débris de la trajectoire de la lame et avant l'entretien ou le réglage de l'outil. Une lame mobile peut provoquer des blessures graves.
- **SOUTENIR CORRECTEMENT LES PIÈCES LONGUES OU LARGES.** La perte de contrôle de la pièce peut provoquer des blessures.
- **NE JAMAIS** croiser les bras devant la lame au moment d'utiliser l'outil. Toujours effectuer un fonctionnement à sec (non alimenté) avant de réaliser une coupe de finition. Ainsi, la trajectoire de la lame peut être vérifiée, ce qui permet d'éviter toute blessure corporelle grave.
- **DES INFORMATIONS SUPPLÉMENTAIRES** (c.-à-d., une vidéo sur la sécurité), indiquant comment utiliser des outils électriques correctement et en toute sécurité, sont disponibles auprès du Power Tool Institute, 1300 Sumner Avenue, Cleveland, OH 44115-2851 É.-U. (www.powertoolinstitute.com). Des renseignements sont également offerts par le National Safety Council, 1121 Spring Lake Drive, Itasca, IL 60143-3201 É.-U. Se reporter à la norme ANSI O1.1 de l'American National Standards Institute concernant les exigences en matière de sécurité pour les appareils de travail du bois ainsi qu'à la réglementation OSHA 1910.213 du département du travail des É.-U. (Department of Labor).

⚠ AVERTISSEMENT : Ne connectez pas l'appareil à une source d'alimentation électrique tant que vous n'avez pas complètement lu et compris les instructions.

⚠ AVERTISSEMENT : Toujours porter une protection auditive appropriée conformément à la norme ANSI S12.6 (S3.19) lors de l'utilisation du produit. Dans certaines conditions et selon la durée d'utilisation, le bruit émis par ce produit pourrait contribuer à une perte auditive.

⚠ AVERTISSEMENT : NE JAMAIS EFFECTUER DE COUPE SI LE MATÉRIAU N'EST PAS MAINTENU EN PLACE SUR LA TABLE ET CONTRE LE GUIDE.

⚠ AVERTISSEMENT : Certaines poussières produites par les activités de ponçage, de sciage, de meulage, de perçage et autres activités de construction peuvent contenir des produits chimiques pouvant causer le cancer, des anomalies congénitales ou d'autres problèmes liés aux fonctions reproductrices. Voici quelques exemples de ces produits chimiques :

- le plomb contenu dans les peintures à base de plomb;
- la silice cristalline de la brique, du ciment et d'autres produits de maçonnerie; et
- l'arséniat de cuivre et de chrome provenant du bois traité chimiquement.

Les risques liés à l'exposition à ces poussières varient selon la fréquence à laquelle vous travaillez avec ce type de matériaux. Afin de réduire votre exposition à ces produits chimiques : travaillez dans un endroit bien ventilé et portez un équipement de sécurité approuvé comme un masque anti-poussières conçu spécialement pour filtrer les particules microscopiques.

- Évitez le contact prolongé avec les poussières produites par les activités de ponçage, sciage, meulage, perçage et autres activités de construction. Portez des vêtements de protection et lavez les parties du corps exposées avec une solution d'eau et de savon. Le fait de laisser la poussière pénétrer par la bouche et les yeux ou de la laisser reposer sur la peau, peut promouvoir l'absorption de produits chimiques nocifs.

⚠ AVERTISSEMENT : L'utilisation de cet outil peut produire ou propulser des poussières qui pourraient causer des problèmes respiratoires graves et permanents ou d'autres problèmes médicaux. Portez toujours un appareil respiratoire approuvé par la NIOSH/OSHA pour vous protéger de la poussière. Dirigez les particules à l'écart de votre visage et de votre corps.

Pour plus de commodité et de sécurité, les étiquettes de sécurité suivantes sont apposées sur votre scie à onglet.

SUR LE BOÎTIER DU MOTEUR :

⚠ AVERTISSEMENT : POUR VOTRE SÉCURITÉ, VEUILLEZ LIRE LE MODE D'EMPLOI AVANT D'UTILISER LA SCIE.

EN CAS DE RÉPARATION, UTILISER UNIQUEMENT DES PIÈCES DE RECHANGE IDENTIQUES.

TOUJOURS PORTER UNE PROTECTION OCULAIRE.

PROTÉGER DE LA PLUIE ET NE PAS UTILISER DANS DES ENDROITS HUMIDES.

GUIDE MOBILE :

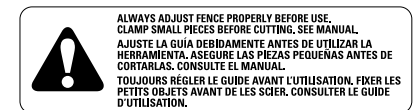
TOUJOURS RÉGLER CORRECTEMENT LE GUIDE AVANT UTILISATION. FIXER LES PETITES PIÈCES À TRAVAILLER AVANT DE LES COUPER. VOIR LE MANUEL.

SUR LE PARE-MAIN :

DANGER – SE TENIR À L'ÉCART DE LA LAME.

SUR LE PARE-MAIN SUPÉRIEUR :

BIEN FIXER LE SUPPORT AVEC LES DEUX VIS, AVANT D'UTILISER L'OUTIL.



SUR LA TABLE : (2 EMBACEMENTS)

⚠ AVERTISSEMENT : POUR VOTRE SÉCURITÉ, PRIÈRE DE LIRE LE MODE D'EMPLOI AVANT D'UTILISER LA SCIE À ONGLETS.

GARDER LES MAINS HORS DE LA TRAJECTOIRE DE LA LAME DE LA SCIE.

NE PAS UTILISER LA SCIE SANS QUE LES PARE-MAINS NE SOIENT EN PLACE.

VÉRIFIER, AVANT CHAQUE USAGE, QUE LE PARE-MAIN INFÉRIEUR SE FERME BIEN.

TOUJOURS BIEN SERRER LES RÉGLAGES AVANT UTILISATION. EFFECTUER TOUTE OPÉRATION EN TENANT L'OUTIL DES DEUX MAINS.

NE JAMAIS PASSER LES MAINS À L'ARRIÈRE DE LA LAME DE LA SCIE. NE JAMAIS PASSER LES BRAS DEVANT LA LAME. ÉTEINDRE L'OUTIL ET ATTENDRE L'ARRÊT DE LA LAME DE LA SCIE AVANT DE DÉPLACER LA PIÈCE, DE MODIFIER LES RÉGLAGES OU DE DÉPLACER LES MAINS.

DÉBRANCHER LA SCIE AVANT DE REMPLACER UNE LAME OU PROCÉDER À UNE RÉPARATION.

AFIN DE RÉDUIRE LES RISQUES DE BLESSURES, LAISSER LA SCIE REVENIR EN POSITION COMPLÈTEMENT RELEVÉE APRÈS CHAQUE UTILISATION. IL SUFFIT DE RÉFLÉCHIR! VOUS POUVEZ EMPÊCHER LES ACCIDENTS.

SUR LE SOCLE : (À 2 ENDROITS)



Connexion électrique

S'assurer que votre bloc d'alimentation est compatible avec l'inscription de la plaque signalétique. 120 volts, c.a. signifie que votre scie ne peut uniquement fonctionner qu'en courant alternatif. Une diminution de tension de 10 pour cent ou plus risquera de provoquer une perte de puissance et une surchauffe. Tous les outils DEWALT sont testés en usine. Si l'outil ne fonctionne pas, vérifier l'alimentation.

Déballage de la scie

Vérifier le contenu de la boîte pliante de la scie à onglets pour s'assurer que toutes les pièces ont bien été livrées. En plus de ce mode d'emploi, le carton devrait contenir :

1. Une scie à onglets no DW713 avec lame.
2. Une clé de lame située dans la poche de clé illustrée à la figure 2.
3. Un sac à poussières no DW7053.

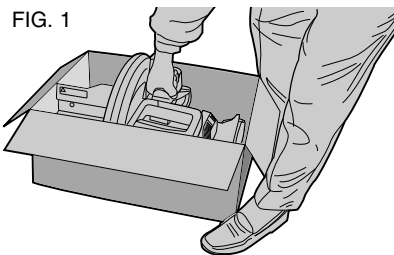
Familiarisation

Votre scie à onglets est livrée entièrement assemblée dans l'emballage. Ouvrir la boîte et sortir la scie en la prenant par la poignée de transport commode, comme indiqué à la figure 1.

Placer la scie sur une surface lisse et plane, telle qu'un établi ou une table solide.

Observer les figures 2 et 3 afin de vous familiariser avec la scie et ses diverses pièces. La rubrique concernant les réglages renverra à ces termes et il faut savoir quelles sont les différentes pièces et où elles se trouvent.

⚠ ATTENTION : Risque de pincement. Pour réduire le risque de blessures, garder le pouce sous la poignée lors de son abaissement. Lors de l'abaissement de la poignée, le



dispositif de protection inférieur se déplacera vers le haut et pourrait pincer l'utilisateur. La poignée est placée près du carter pour des coupes particulières.

Appuyer légèrement sur la poignée de commande et retirer la tige de verrouillage, comme indiqué à la figure 4. Relâcher doucement la pression vers le bas et laisser le bras se relever complètement. Utiliser la tige de verrouillage pour transporter la scie d'un endroit à l'autre. Pour déplacer la scie, toujours utiliser la poignée de transport ou les zones en retrait pour la main illustrées à la figure 3.

Fiche technique

CAPACITÉ DE DÉCOUPE

Onglet à 50 °, à gauche ou à droite

Biseau de 48 ° à gauche; 3 ° à droite

Onglet à 0 °

Hauteur max. : 89 mm (3,5 po) Largeur résultante 89 mm (3,5 po)

Largeur max. : 155 mm (6,1 po) Hauteur résultante 32 mm (1,25 po)

Onglet à 45 °

Hauteur max. : 89 mm (3,5 po) Largeur résultante 61 mm (2,4 po)

Largeur max. : 107 mm (4,2 po) Hauteur résultante 32 mm (1,25 po)

Biseau à 45 °

Hauteur max. : 58,5 mm (2,3 po) Largeur résultante 89 mm (3,5 po)

Largeur max. : 155 mm (6,1 po) Hauteur résultante 19 mm (0,75 po)

Onglet à 31,62 ° et biseau à 33,85 °

Largeur max. : 133 mm (5,25 po) Hauteur résultante 23 mm (0,9 po)

ENTRAÎNEMENT

Moteur 120 V

2 200 watts

5 000 tr/min

Moteur de 15 A

Engrenages hélicoïdaux taillés avec roulements à billes et à rouleaux

Lame à pointes carburées

Frein électrique automatique

Accessoires facultatifs

Les accessoires suivants, conçus pour votre scie, peuvent vous être utiles. Dans certains cas, d'autres supports de pièces, butées réglables, fixations, etc., peuvent être plus appropriés. Sélectionner et utiliser les accessoires avec soin.

Rallonge pour support de pièce : DW7080

Le support de pièce est utilisé pour soutenir de longues pièces qui dépassent. Il est assemblé par l'utilisateur. Votre table à scier est conçue pour accepter deux supports de pièces, un de chaque côté.

Butée réglable : DW7051

Nécessite l'utilisation d'un support d'ouvrage (voir schéma). Elle sert à effectuer des découpes répétitives de même longueur [comprise entre 0 et 107 cm (42 po)].

Serre-joint : DW7082

Sert à fixer fermement la pièce au guide de la scie pour une découpe de précision.

Sac à poussière : DW7053 (livré avec certains modèles)

Équipé d'une fermeture à glissière pour un vidage facile, le sac à poussière capture la plus grande partie de la sciure produite (non illustré).

Guide de moulures couronnées : DW7084

Sert pour la découpe de précision de moulures couronnées.

Système guidé par laser : DW7187

Alimenté par la scie, le trait laser brillant améliore la visibilité dans les emplacements à éclairage faible ou intense. Facile à installer.

Système de lampe de travail à DEL : DWS7085

Éclairage utilisé pour une plus grande visibilité et alignement de découpage lors du fonctionnement. Facile à installer.

Plaque de trait de scie de rechange pour scie à onglets : DW7055

Cette plaque de plastique moulé limite le déchiquetage provoqué par la lame.

LAMES DE SCIE : TOUJOURS UTILISER DES LAMES DE SCIE DE 254 mm (10 po) COMPORTANT DES ALÉSAGES CENTRAUX DE 16 mm (5/8 po). LE RÉGIME DOIT ÊTRE AU MOINS DE 5 500 TR/MIN. Ne jamais utiliser de lames de diamètre inférieur. Le pare-main ne serait pas adéquat. Utiliser uniquement des lames à tronçonner! Ne pas utiliser de lames conçues pour un sciage rapide, de lames combinées ou de lames à crochet d'un angle supérieur à 7°.

DESCRIPTION DES LAMES		
APPLICATION	DIAMÈTRE	DENTS
Lames de scie de construction (<i>fin trait de scie avec côté anticollant</i>)		
Polyvalente	254 mm (10 po)	40
Tronçonnage fin	254 mm (10 po)	60
Lames de scie pour travail du bois (<i>fournissent des coupes propres et régulières</i>)		
Tronçonnage fin	254 mm (10 po)	80
Métaux non ferreux	254 mm (10 po)	80
REMARQUE : pour couper des métaux non ferreux, utiliser des lames de scie à denture TCG (trapézoïdale) spécialement conçues à cet effet.		

ACCESSOIRES

⚠ AVERTISSEMENT : Puisque les accessoires autres que ceux offerts par DEWALT n'ont pas été testés avec ce produit, l'utilisation de ceux-ci avec l'outil pourrait s'avérer dangereuse. Pour réduire le risque de blessures, utiliser exclusivement les accessoires DEWALT recommandés avec le présent produit.

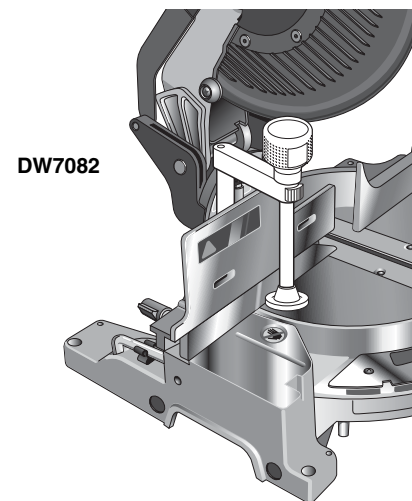
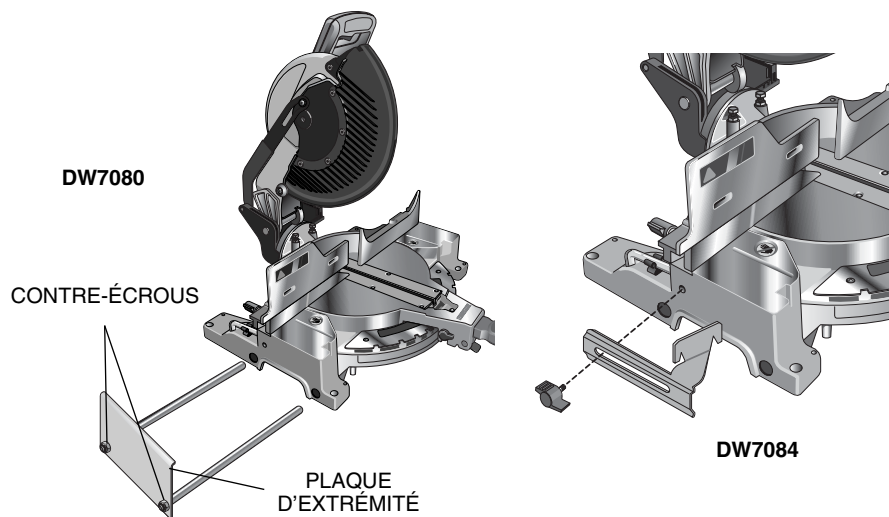
Les accessoires recommandés pour votre outil peuvent être achetés auprès du distributeur local ou d'un centre de réparation agréé. Pour toute assistance en matière d'accessoires convenant à l'outil acheté, communiquer avec DEWALT Industrial Tool Co., 701 East Joppa Road, Baltimore, MD 21286, États-Unis, composer le 1-800-4-DEWALT (1-800-433-9258) ou visiter notre site Web à www.dewalt.com.

Montage sur établi

Les quatre pieds sont munis de trous pour faciliter le montage sur établi, comme indiqué à la figure 2 (deux trous de taille différente sont prévus afin de recevoir des vis de différentes tailles. Utiliser l'un des trous; (il n'est pas nécessaire d'utiliser les deux). Toujours fixer fermement la scie afin d'empêcher tout déplacement. Pour améliorer la portabilité de l'outil, on peut le monter sur une pièce de contreplaqué de 12,7 mm (1/2 po) ou plus d'épaisseur et qui peut à son tour être fixée à votre support de pièce, ou déplacée vers un autre site de travail et fixée de nouveau.

REMARQUE : Si la scie doit être fixée à une pièce de contreplaqué, s'assurer que les vis de montage ne dépassent pas de la partie inférieure du bois. Le contreplaqué doit reposer à plat sur le support de la pièce. Lors de la fixation de la scie à toute surface de travail, ne la fixer que sur les brides de fixation où se situent les trous des vis de montage. L'utilisation des brides de fixation à tout autre endroit nuira à coup sûr au fonctionnement adéquat de la scie.

⚠ ATTENTION : Pour éviter tout grippage et manque de précision, s'assurer que la surface de montage n'est pas tordue et ne présente pas d'autre défaut. Si la scie bascule sur la surface, placer une pièce de matériau de faible épaisseur sous l'un des pieds de la scie, jusqu'à ce que cette dernière soit fermement assise sur la surface de montage.



DWS7085



DW7187

IMPORTANTES DIRECTIVES DE SÉCURITÉ

Changement ou pose d'une lame de scie neuve (fig. 5, 6)

⚠ **AVERTISSEMENT** : Pour réduire tout risque de dommages corporels, éteindre l'outil et le débrancher avant de le déplacer, de changer les accessoires ou de réaliser des réglages autorisés indiqués dans les directives de réglage du laser.

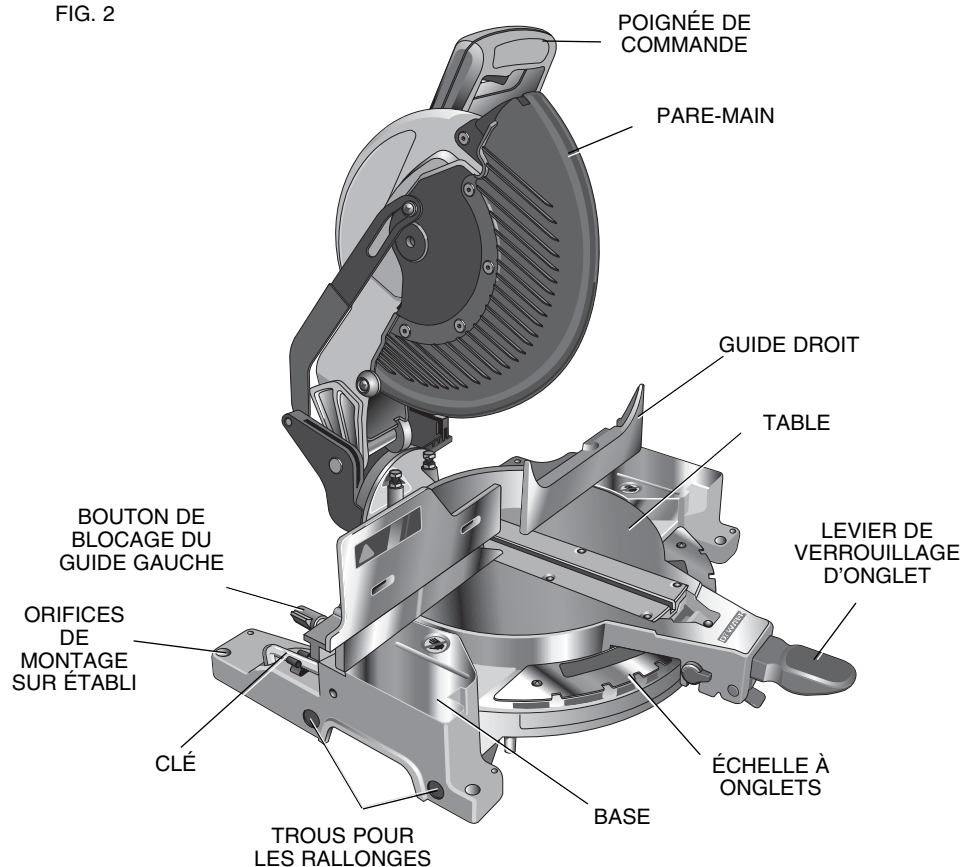
⚠ **ATTENTION** :

- Ne jamais enfoncer le bouton de verrouillage de la broche lorsque la lame est sous tension ou qu'elle continue de tourner après l'arrêt de la scie.
- Ne pas couper du métal ferreux (contenant du fer ou de l'acier), de la maçonnerie ou du fibrociment avec cette scie à onglets.

Dépose de la lame

1. Débrancher la scie.
2. Soulever le bras jusqu'à la position supérieure, puis lever le pare-main inférieur aussi haut que possible.
3. Desserrer la vis du support du pare-main sans l'enlever de manière à ce que le support puisse être levé suffisamment haut pour accéder à la vis de la lame. Le pare-main inférieur demeurera levé en raison de la position de la vis du support de pare-main.

FIG. 2



4. Enfoncer le bouton de verrouillage de la broche (fig. 3) tout en tournant avec soin la lame de scie manuellement de manière à engager le dispositif de verrouillage.
5. Maintenir le bouton enfoncé et utiliser l'autre main et la clé fournie pour desserrer la vis de la lame. (Tourner dans le sens horaire, filets inversés.)
6. Enlever la vis l'attache de lame extérieure et la lame. L'attache de lame de fixation intérieure peuvent être laissés sur la broche.

Pose d'une lame

1. Débrancher la scie.
2. Avec le bras relevé, le dispositif de protection inférieur ouvert sur son support, placer la lame sur la broche contre l'attache de lame de fixation intérieure, les dents se trouvant au bas de la lame et pointant vers l'arrière de la scie.
3. Assembler l'attache de lame extérieure sur la broche.
4. Poser la vis de la lame et, tout en engageant le bouton de verrouillage de la broche, serrer fermement la vis avec la clé fournie. (Tourner dans le sens antihoraire, filets inversés.)
5. Remettre le support de pare-main à sa position d'origine, puis serrer fermement la vis du support de pare-main afin de maintenir le support en place.

FIG. 3

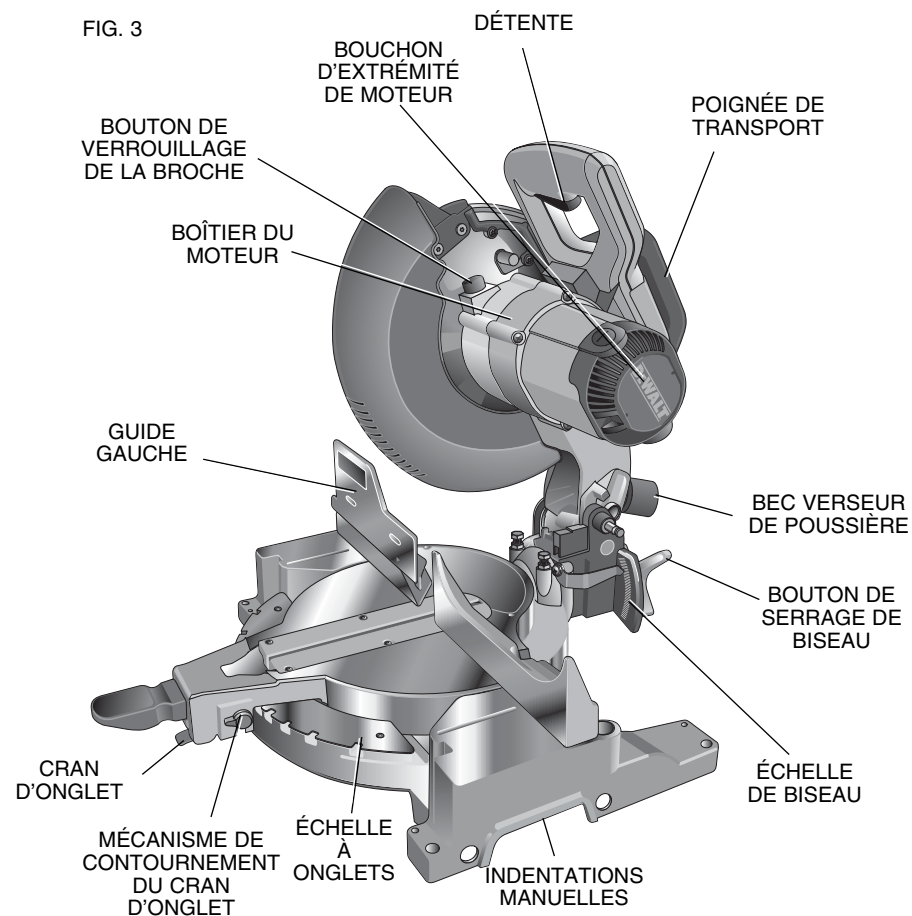


FIG. 4

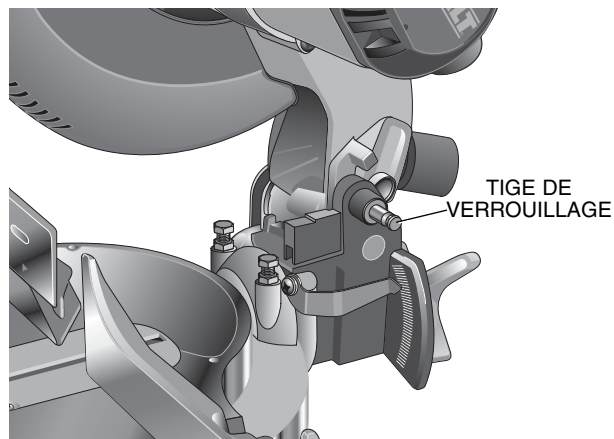


FIG. 5

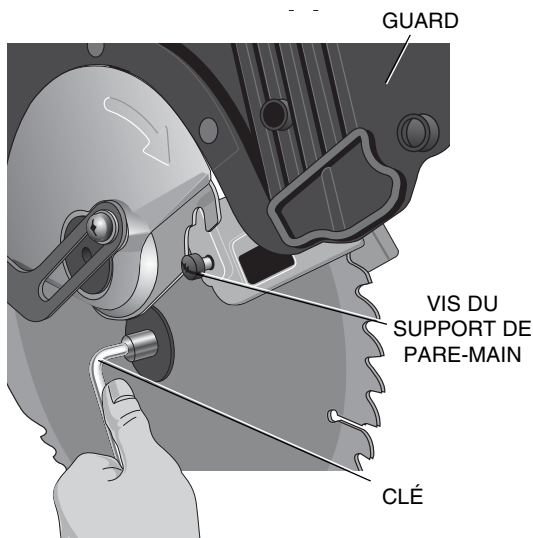
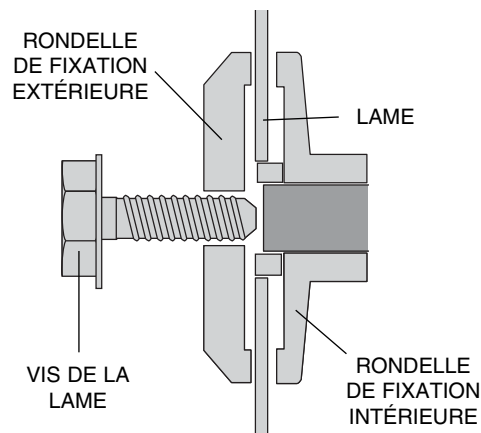


FIG. 6



⚠AVERTISSEMENT :

- **Le support du pare-main doit être remis à sa position d'origine et la vis doit être serrée avant d'activer la scie.**
- **Si vous négligez de le faire, le pare-main risque d'entrer en contact avec la lame de scie tournante et ainsi causer des dommages à la scie et des blessures corporelles graves.**

Transport de la scie

⚠AVERTISSEMENT : Pour réduire tout risque de dommages corporels, éteindre l'outil et le débrancher avant de le déplacer, de changer les accessoires ou de réaliser des réglages autorisés indiqués dans les directives de réglage du laser.

⚠AVERTISSEMENT : Pour réduire tout risque de dommages corporels graves, verrouiller SYSTÉMATIQUEMENT la manette de verrouillage d'onglet, la manette de verrouillage de chanfrein, la goupille de blocage, et le bouton de réglage de guide, avant de transporter la scie.

Afin de transporter aisément la scie à onglets d'un endroit à l'autre, l'outil est doté d'une poignée de transport sur la partie supérieure du bras de la scie, comme indiqué à la figure 3. Pour le transport de la scie, abaisser le bras et enfoncer la tige de verrouillage, comme indiqué à la figure 4.

RÉGLAGES

⚠AVERTISSEMENT : Pour réduire tout risque de dommages corporels, éteindre l'outil et le débrancher avant de le déplacer, de changer les accessoires ou de réaliser des réglages autorisés indiqués dans les directives de réglage du laser.

REMARQUE : La scie à onglets est réglée en usine de manière complète et précise au moment de sa fabrication. Si un nouveau réglage est requis à cause de l'expédition, suivre la procédure suivante pour régler la scie.

Lorsque ces réglages ont été effectués, ils devraient conserver leur précision. Passer maintenant quelques instants à suivre ces directives attentivement afin de profiter de l'intégralité de la précision dont la scie est capable.

RÉGLAGE DE L'ÉCHELLE D'ONGLETS

Placer une équerre contre le guide de la scie et contre la lame, comme indiqué à la figure 7. (Ne pas toucher aux extrémités des dents de scie avec l'équerre. Cela nuira à la précision des mesures.) Desserrer la poignée de blocage d'onglet (consulter la fig. 8) et faire basculer le bras d'onglet jusqu'à ce que le loquet de l'onglet ne

verrouille sur la position d'onglet 0°. Ne pas bloquer le levier de verrouillage d'onglet. Si la lame de la scie n'est pas exactement perpendiculaire au guide, desserrer les trois vis fixant l'échelle à onglets à la base (illustré à la fig. 8), puis déplacer l'échelle/module du bras d'onglet à gauche ou à droite de manière à ce que la lame soit perpendiculaire au guide, selon la mesure réalisée avec l'équerre. Resserrer les trois vis. Ne pas tenir compte à ce point du relevé du pointeur de l'onglet.

RÉGLAGE DU POINTEUR D'ONGLETS

Déverrouiller le levier de verrouillage d'onglet et presser le loquet de l'onglet pour déplacer le bras d'onglet à la position zéro comme indiqué à la figure 8. Déverrouiller le levier de verrouillage de l'onglet pour laisser le loquet de l'onglet s'enclencher en place au moment de régler le bras d'onglet au-delà de la position zéro. Par la fenêtre, observer le pointeur et l'échelle à onglets illustrés à la figure 9. Si le pointeur n'indique pas exactement zéro, desserrer la vis du pointeur, régler le pointeur à 0° et resserrer la vis.

BISEAU EN ÉQUERRE AVEC LA TABLE

Pour aligner la lame en équerre avec la table rotative, verrouiller le bras en position basse. Placer une équerre contre la lame en prenant soin que l'équerre ne soit au-dessus d'une dent, comme indiqué à la figure 10B. Desserrer le bouton de serrage de biseau afin que le bras du biseau se déplace. Au besoin, déplacer le bras du biseau de sorte que la lame soit réglée au biseau de 0° par rapport à la table. Si le bras du biseau exige un réglage, desserrer le contre-écrou de la butée de biseau de droite, comme indiqué à la figure 1, et régler la vis de la butée, le cas échéant. Maintenir la vis de butée en position et serrer le contre-écrou.

POINTEUR DE BISEAU

Si le pointeur de biseau n'indique pas zéro, desserrer la vis qui le fixe en place et déplacer le pointeur au besoin.

Suggestion : Pour plus de précision, régler le bord supérieur de sorte qu'il s'aligne avec le zéro.

BUTÉE DE BISEAU

Pour régler la butée de biseau à 45°, comme indiquée à la figure 12, desserrer d'abord le bouton de blocage du guide du côté gauche et coulisser ce guide aussi loin que possible vers la gauche. Déplacer le bras vers la gauche jusqu'à ce qu'il se bloque contre la vis de butée du biseau de gauche. Si le pointeur de biseau n'indique pas 45°, desserrer le contre-écrou de la butée de biseau du côté gauche et tourner la vis pour qu'elle se déplace vers le bas. Déplacer le bras vers la gauche et serrer solidement le bouton de serrage de biseau dès que le pointeur de biseau indique exactement 45°. Déplacer la vis de butée de biseau du côté gauche vers le haut jusqu'à ce qu'il s'appuie contre la butée de biseau. Resserrer l'écrou tout en bloquant la vis en position.

Pour atteindre les 3° de biseau à droite ou les 48° de biseau à gauche, les vis de butée doivent être ajustées

FIG. 7

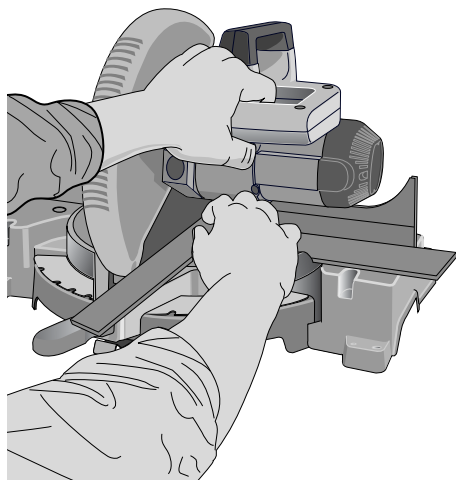


FIG. 8

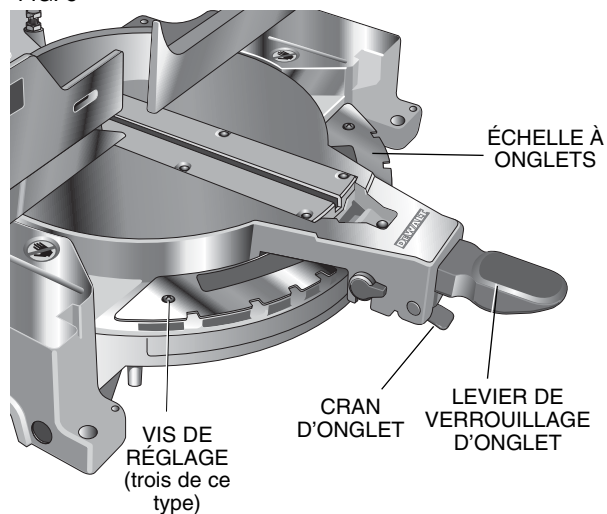
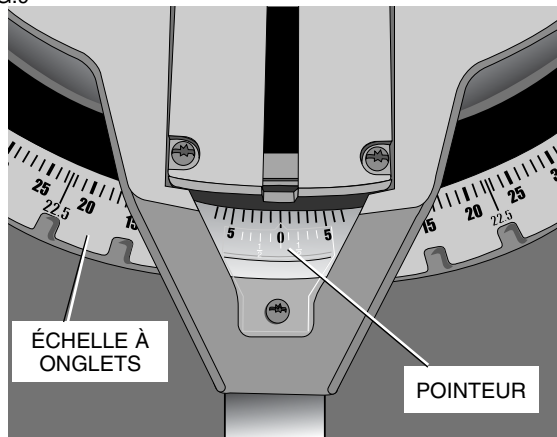


FIG. 9



de sorte que le bras se déplace à la position souhaitée. Il sera alors nécessaire de régler de nouveau les butées de biseau à zéro et à 45° après des coupes.

RÉGLAGE DU GUIDE

⚠AVERTISSEMENT : Pour réduire tout risque de dommages corporels, éteindre l'outil et le débrancher avant de le déplacer, de changer les accessoires ou de réaliser des réglages autorisés indiqués dans les directives de réglage du laser.

Afin que la scie puisse biseauter JUSQU'À 48° vers la gauche, le côté gauche du guide peut être réglé afin de fournir le dégagement suffisant. Pour régler le guide, desserrer la poignée, comme indiqué sur la figure 13 puis faire coulisser le guide vers la gauche. Effectuer un essai à blanc en laissant la scie hors tension pour vérifier le dégagement. **Régler le guide de sorte à être aussi proche de la lame que possible afin de fournir un soutien maximal à la pièce** sans nuire aux mouvements du bras vers le haut et le bas. Bien serrer la poignée. Lorsque les opérations de biseautage sont terminées, ne pas oublier de remettre le guide en place vers la droite.

ACTIVATION ET VISIBILITÉ DU PARE-MAIN

⚠ATTENTION : Risque de pincement. Pour réduire le risque de blessures, garder le pouce sous la poignée lors de son abaissement. Lors de l'abaissement de la poignée, le dispositif de protection inférieur se déplacera vers le haut et pourrait pincer l'utilisateur.

Le pare-main de la lame de votre scie est conçu pour se soulever automatiquement lorsque le bras est descendu et pour s'abaisser par-dessus la lame lorsque le bras est levé. Il est possible de soulever manuellement le pare-main lors de l'installation ou de la dépose de lames de scie ou pour inspecter la scie. **NE JAMAIS SOULEVER MANUELLEMENT LE PARE-MAIN DE LA LAME LORSQUE LA SCIE N'EST PAS HORS TENSION.**

REMARQUE : Certaines découpes spéciales de matériaux requièrent de soulever manuellement le pare-main. Consulter la rubrique **Coupe de moulures d'embase d'une épaisseur maximale de 88,9 mm (3,5 po)** (page 30).

La partie frontale du pare-main est persiennée pour offrir plus de visibilité pendant la découpe. Bien que les persiennes réduisent radicalement les projections de débris, il s'agit d'ouvertures dans le pare-main; il faut donc toujours porter des lunettes de sécurité au moment de regarder au travers des persiennes.

FREIN ÉLECTRIQUE AUTOMATIQUE

Votre scie est équipée d'un frein de lame électrique automatique qui arrête la lame de la scie dans les 5 secondes qui suivent le relâchement de la détente. Cela n'est pas réglable.

Un délai peut parfois se produire entre le relâchement de la détente et l'engagement du frein. En de rares occasions, le frein peut ne pas s'engager du tout et la lame ralentira jusqu'à s'arrêter complètement.

FIG. 10A

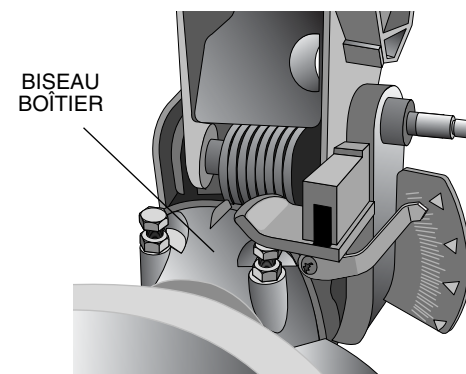


FIG. 10B

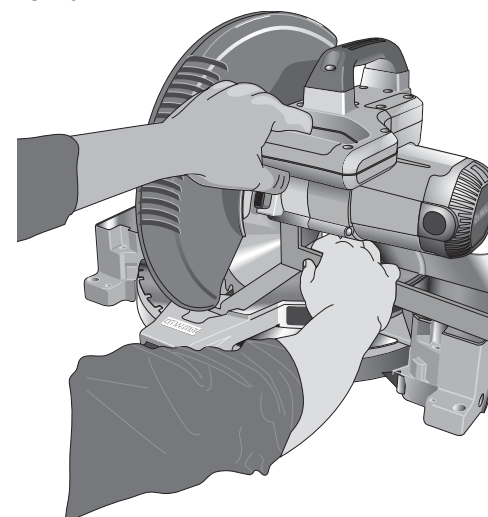


FIG. 11

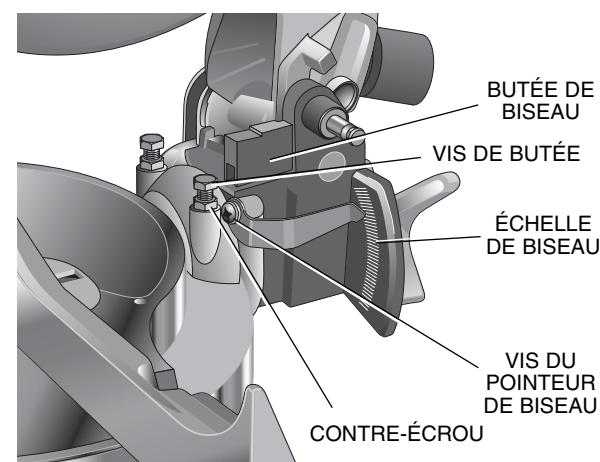


FIG. 12

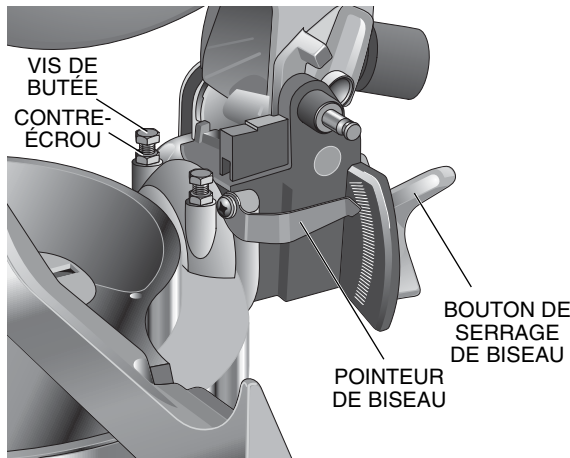


FIG. 13

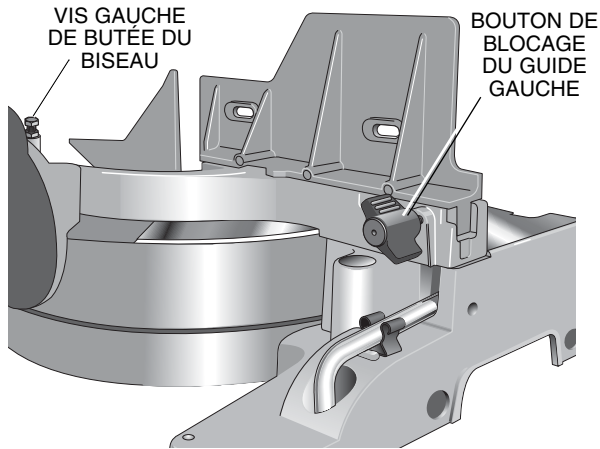


FIG. 14 TROU POUR LE CADENAS

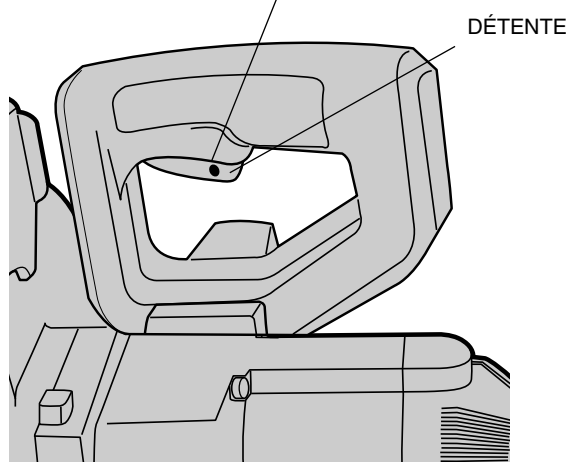
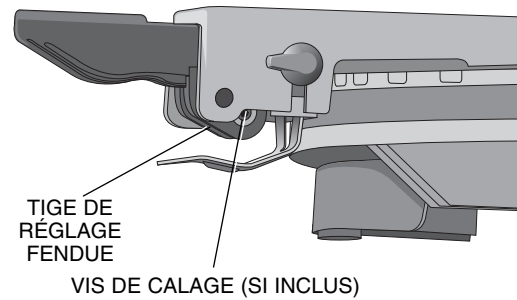


FIG. 15



Si un délai ou un « saut » se produit, allumer et éteindre la scie 4 ou 5 fois. Si le problème persiste, faire réparer l'outil par un centre de réparation agréé DEWALT. Toujours s'assurer que la lame s'est arrêtée avant de retirer du trait de scie. Le frein n'est pas un remplacement pour les pare-mains. Pour assurer votre sécurité, concentrez-vous entièrement sur la scie.

RÉGLAGE DU DISPOSITIF DE VERROUILLAGE DE L'ONGLET (FIG. 15)

La barre de verrouillage de l'onglet doit être réglée s'il est possible de déplacer la table de la scie lorsque la poignée de verrouillage de l'onglet est verrouillée. Pour le réglage, mettre la poignée de verrouillage de l'onglet à la position de hauteur. Au moyen d'un tournevis à fente, régler la barre de blocage pour augmenter sa force, par progression de 1/8 de tour dans le sens horaire. Pour assurer le bon fonctionnement du dispositif de verrouillage de l'onglet, verrouiller de nouveau la poignée de verrouillage de l'onglet à un angle d'onglet sans cran d'arrêt.

REMARQUE : Certains modèles pourraient comporter une vis de pression, comme indiqué à la figure 15. Au moyen d'une clé polygonale de 2,4 mm (3/32 po), desserrer la vis pression logée dans l'axe d'articulation. Serrer la vis de pression à la fin du réglage.

Balais

⚠AVERTISSEMENT : Pour réduire tout risque de dommages corporels, éteindre l'outil et le débrancher avant de le déplacer, de changer les accessoires ou de réaliser des réglages autorisés indiqués dans les directives de réglage du laser.

Inspecter régulièrement les balais de carbone : débrancher l'outil, enlever le capuchon du moteur (fig. 2), soulever le ressort du balai et retirer l'ensemble du balai. S'assurer que les balais sont propres et qu'ils glissent librement dans leurs guides. Toujours replacer dans son support un balai utilisé dans le sens où il se trouvait avant d'être retiré. Plusieurs symboles sont marqués sur les côtés des balais de carbone; un balai doit être remplacé lorsqu'il est usé d'environ 12,7 mm (1/2 po), car le ressort n'exerce plus de pression. N'utiliser que des balais DEWALT identiques. Il est essentiel pour un fonctionnement correct

du frein électrique d'utiliser la classe adéquate de balai. Des ensembles de balais neufs sont offerts auprès des centres de réparation DEWALT. Laisser l'outil « tourner à blanc » (tourner sans charge) pendant 10 minutes pour qu'un balai neuf se positionne correctement. Le frein électrique peut ne pas fonctionner correctement tant que les balais ne sont pas correctement positionnés (usés). Toujours remplacer le capuchon d'inspection du balai après avoir inspecté ou réparé un balai.

Lors d'un « fonctionnement à blanc », NE PAS ATTACHER NI FIXER AU MOYEN DE RUBAN ADHÉSIF ET NE PAS VERROUILLER D'UNE AUTRE MANIÈRE LA DÉTENTE EN POSITION MARCHÉ. NE LA TENIR QU'À LA MAIN.

FONCTIONNEMENT

⚠AVERTISSEMENT : Pour réduire tout risque de dommages corporels, éteindre l'outil et le débrancher avant de le déplacer, de changer les accessoires ou de réaliser des réglages autorisés indiqués dans les directives de réglage du laser.

⚠AVERTISSEMENT : Toujours porter une protection oculaire. Tous les utilisateurs et spectateurs doivent porter une protection oculaire conforme à la norme ANSI Z87.1 (CAN/CSA Z94.3).

Brancher la scie à une source d'alimentation domestique standard de 60 Hz. Se reporter à la plaque signalétique pour la tension. S'assurer que le cordon ne nuira pas avec votre travail.

DÉTENTE

Pour mettre la scie sous tension, presser sur la détente, comme indiqué à la figure 14. Pour l'arrêter, relâcher la détente. Il n'y a pas de mécanisme de blocage de la détente, mais cette dernière est dotée d'un orifice permettant d'insérer un cadenas pour assurer la sécurité de la scie.

DÉCOUPE À L'AIDE DE VOTRE SCIE

REMARQUE : Bien que cette scie puisse couper du bois et de nombreux matériaux non métalliques, nous traiterons uniquement de la coupe de bois. Les mêmes directives s'appliquent aux autres matériaux. **NE PAS COUPER À L'AIDE DE CETTE SCIE DES MATÉRIEAUX FERREUX (FER ET ACIER) OU DE LA MAÇONNERIE.** Ne pas utiliser de lames abrasives.

COUPES TRANSVERSALES

La découpe de plusieurs pièces n'est pas recommandée, mais elle peut être effectuée en toute sécurité en s'assurant que chaque pièce est maintenue fermement en place contre la table et le guide. Une coupe transversale est une coupe de bois effectuée à travers les fibres du bois, à n'importe quel angle. Une coupe transversale droite s'effectue avec le bras d'onglet en position de zéro degré. Régler et verrouiller le bras d'onglet à zéro, maintenir fermement le bois en place sur la table et contre le guide.

Presser sur la détente pour actionner la scie, comme indiqué à la figure 14.

Lorsque la scie atteint son plein régime (en environ 1 seconde), baisser doucement et lentement le bras pour découper le bois. **Laisser la lame s'arrêter complètement avant de relever le bras.**

ATTENTION : Utilisez toujours un pinceur de travail pour conserver la maîtrise de la pièce et réduire le risque de dommages à votre pièce et de blessure corporelle.

Les coupes transversales à l'onglet s'effectuent avec le bras d'onglet disposé à un angle différent de zéro. L'angle est souvent de 45° pour couper des coins, mais peut être défini comme n'importe quelle valeur entre 0 et 50°, à gauche ou à droite. Après avoir choisi l'angle d'onglet désiré, s'assurer de serrer le levier de verrouillage de l'onglet. Effectuer la coupe comme il est décrit ci-dessus.

Pour couper une pièce en suivant une ligne au crayon, essayer de faire correspondre le plus possible l'angle. Couper d'abord la pièce un peu plus longue puis mesurer de la ligne au crayon au bord coupé pour déterminer la direction de réglage de l'angle d'onglet puis couper de nouveau. Il faut un peu de pratique mais cette technique demeure toutefois très utilisée.

COUPES EN BISEAU

Une coupe en biseau est une coupe transversale réalisée avec la lame de la scie formant un angle avec la pièce en bois. Pour régler le biseau, desserrer le bouton de serrage du biseau, puis déplacer la scie à gauche, à l'endroit voulu. **(Il est nécessaire de déplacer la section gauche du guide pour avoir plus d'espace).** Lorsque l'angle de biseau souhaité a été réglé, bien resserrer le bouton de serrage de biseau.

Les angles de biseau peuvent être définis entre 3° à droite et 48° à gauche et peuvent être coupés avec le bras d'onglet positionné entre 0° à droite et 50° à gauche. S'assurer que le guide est réglé correctement. Lors de coupes biseautées à gauche ou de coupe à onglets mixtes à droite, il sera nécessaire de retirer le guide réglable.

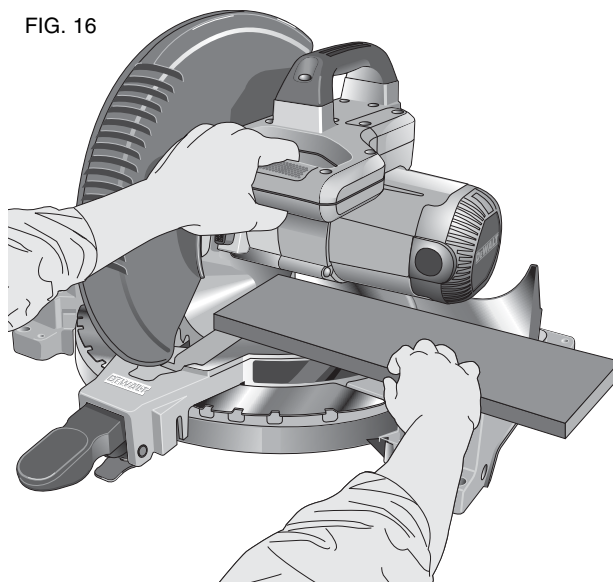
QUALITÉ DE COUPE

La qualité de toute coupe dépend de plusieurs variables. Des paramètres tels que le matériau coupé, le type de lame, la dureté de la lame et la vitesse de coupe contribuent tous à la qualité de coupe.

Lorsque des coupes lisses sont souhaitées, notamment dans le cas de moulures ou d'autres travaux de précision, une lame aiguisée (60 à 80 dents à pointes carburées) et une vitesse de coupe plus faible et plus régulière, produiront le résultat souhaité.

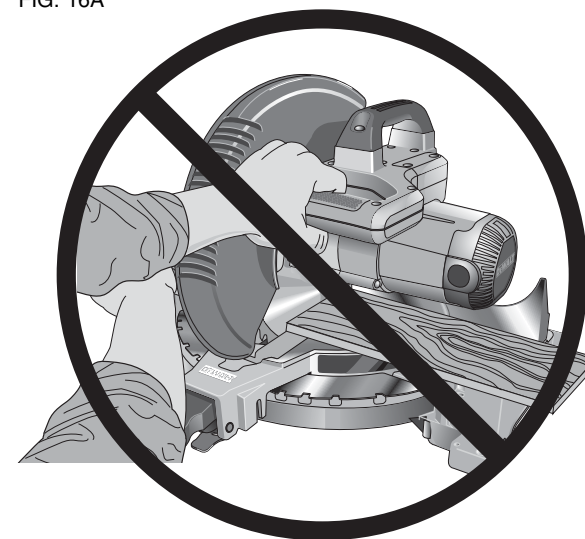
S'assurer que le matériau ne se déplace pas pendant l'opération de coupe en le fixant solidement en position.

FIG. 16

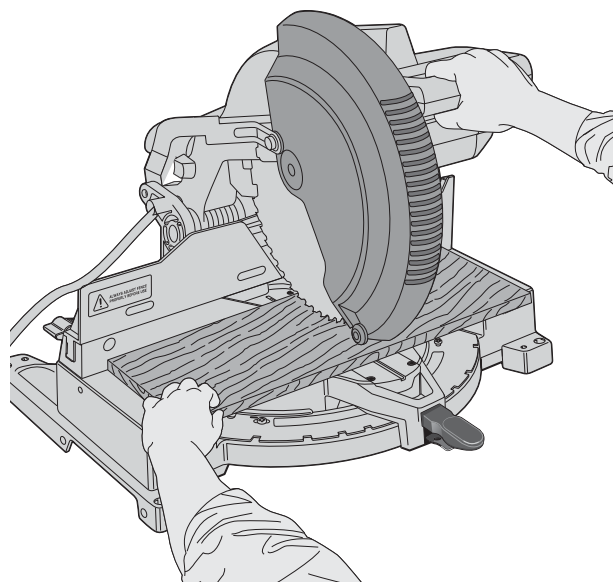


POSITIONNEMENT ADÉQUAT DES MAINS

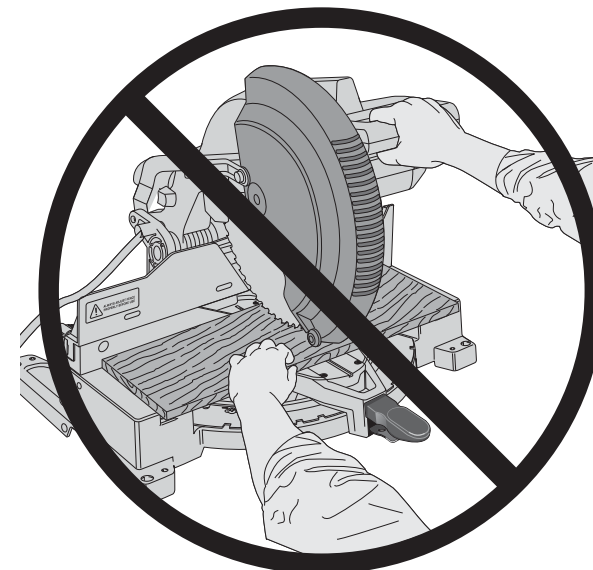
FIG. 16A



IMPROPER HAND POSITION



POSITIONNEMENT ADÉQUAT DES MAINS



POSITIONNEMENT INCORRECT DES MAINS

Toujours laisser la lame s'arrêter complètement avant de relever le bras.

Si de petites fibres de bois sont toujours projetées à l'arrière de la pièce, placer un morceau de ruban adhésif de carrossier sur le bois à l'endroit où la coupe sera effectuée. Couper de part en part du ruban et le décoller soigneusement à la fin de la coupe.

Pour différentes applications de coupe, consulter la liste de lames de scie recommandées pour votre outil et sélectionner celle qui s'adapte le mieux à vos besoins (Page 22).

POSITION DU CORPS ET DES MAINS (FIG. 16)

Un positionnement adéquat de votre corps et de vos mains lors de l'utilisation de la scie à onglets rendra la coupe plus facile, plus précise et plus sûre. Ne jamais placer vos mains à proximité de la zone de coupe. Ne pas mettre les mains à moins de 152 mm (6 po) de la lame. Maintenir fermement la pièce en place contre la table et le guide pendant l'opération de coupe. Garder les mains en position jusqu'au relâchement de la détente et à l'arrêt complet de la lame. **TOUJOURS EFFECTUER DES ESSAIS À BLANC (SANS ALIMENTATION) AVANT DE RÉALISER VOS COUPES AFIN DE VÉRIFIER LA TRAJECTOIRE DE LA LAME. NE PAS CROISER LES MAINS, COMME ILLUSTRÉ À LA FIGURE 16A.**

Garder les pieds ancrés au sol afin de maintenir son équilibre. Au moment de déplacer le bras d'onglet vers la gauche ou la droite, le suivre et se tenir légèrement sur le côté de la lame de la scie. Observer au travers des persiennes du pare-main pour suivre un trait tiré au crayon.

FIXATION DE LA PIÈCE

⚠AVERTISSEMENT : Pour réduire tout risque de dommages corporels, éteindre l'outil et le débrancher avant de le déplacer, de changer les accessoires ou de réaliser des réglages autorisés indiqués dans les directives de réglage du laser.

⚠AVERTISSEMENT : Une pièce de travail qui est bloquée, équilibrée et fixée avant d'être coupée peut devenir déséquilibrée après la coupe. Une charge déséquilibrée risque de faire basculer la scie ou toute chose à laquelle la scie est fixée, comme une table ou un établi. Au moment de couper une pièce qui risque d'être déséquilibrée, s'assurer qu'elle est bien soutenue et que la scie est bien boulonnée à une surface stable. Sinon, il y aurait risque de blessures corporelles.

⚠AVERTISSEMENT : Chaque fois qu'un presseur est utilisé, le pied du presseur doit demeurer solidement fixé au-dessus de la base de la scie. Toujours bloquer la pièce à la base de la scie et non à une autre partie de la zone de travail. S'assurer que le pied du presseur n'est pas fixé sur le bord de la base de la scie.

FIG. 17

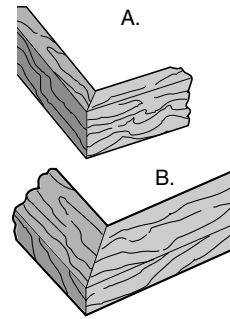


FIG. 18

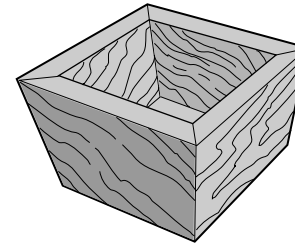


FIG. 19

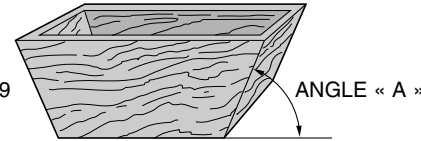


FIG. 20

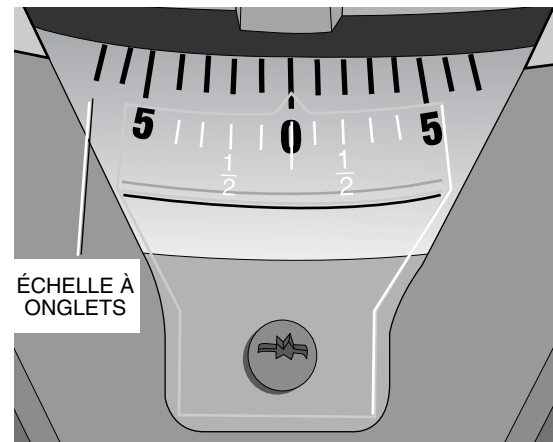
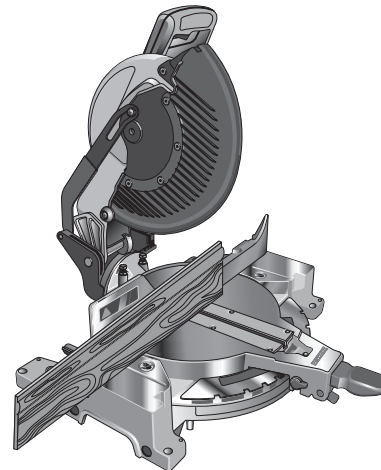


FIG. 21



⚠ATTENTION : Utilisez toujours un pinceur de travail pour conserver la maîtrise de la pièce et réduire le risque de dommages à votre pièce et de blessure corporelle.

Si la pièce ne peut être maintenue manuellement sur la table et contre le guide (à cause d'une forme irrégulière ou d'une autre raison) ou que la main se trouve à moins de 152 mm (6 po) de la lame, il faut utiliser un serre-joint ou une autre fixation.

Pour un résultat optimal, utiliser le serre-joint DW7082 conçu pour une utilisation avec votre scie. Il est vendu séparément chez un détaillant de votre région ou à un centre de réparation DEWALT.

D'autres accessoires tels que des pinces à ressort, serres à barre ou serre-joint en C peuvent convenir à certaines tailles et formes de matériaux. Être attentif lors de la sélection et de la pose de ces serre-joints. Prendre le temps d'effectuer un essai à blanc avant d'entamer la coupe. Le guide de gauche coulisse d'un côté à l'autre pour faciliter l'opération de serrage.

INSTALLATION DE LA BRIDE (VENDU SÉPARÉMENT)

1. L'insérer dans le trou situé derrière le guide. La bride doit être face à l'arrière de la scie à onglets. La rainure logée dans la tige de la bride doit être bien insérée dans la base. S'assurer que cette rainure est bien insérée dans la base de la scie à onglets. Si la rainure est visible, cela signifie que la bride est mal fixée.
2. Tourner la bride de 180 ° vers l'avant de la scie à onglets.
3. Desserrer la poignée pour monter ou descendre la bride, puis utiliser le bouton de réglage fin pour serrer fermement la pièce.

REMARQUE : Placer la bride du côté opposé à la base pour le biseautage. **TOUJOURS EFFECTUER DES MARCHES À SEC (SANS ALIMENTATION) AVANT DE RÉALISER VOS COUPES AFIN DE VÉRIFIER LA TRAJECTOIRE DE LA LAME. S'ASSURER QUE LA BRIDE N'OBSTRUE PAS LE MOUVEMENT DE LA SCIE OU DES DISPOSITIFS DE PROTECTION.**

⚠AVERTISSEMENT : Une pièce qui est encastrée, équilibrée et fixée avant d'être coupée peut être déséquilibrée après avoir été coupée. Une charge déséquilibrée peut faire incliner la scie ou toute chose à laquelle la scie est fixée comme une table ou un banc d'établi. Pour effectuer la coupe d'une pièce pouvant devenir déséquilibrée, bien soutenir la pièce et s'assurer que la scie est bien boulonnée à une surface stable.

⚠AVERTISSEMENT : Le pied de la bride doit être encastré au-dessus de la base de la scie chaque fois que la bride est utilisée. Toujours serrer la pièce à la base de la scie et non à une autre partie de la zone de travail. S'assurer que le pied de la bride n'est pas serré au bord de la base de la scie.

SOUTIEN DES PIÈCES LONGUES

⚠ AVERTISSEMENT : Pour réduire tout risque de dommages corporels, éteindre l'outil et le débrancher avant de le déplacer, de changer les accessoires ou de réaliser des réglages autorisés indiqués dans les directives de réglage du laser.

SOUTENEZ TOUJOURS LES PIÈCES LONGUES.

Ne jamais utiliser une personne pour remplacer une rallonge de table, comme soutien supplémentaire pour une pièce dont la longueur ou la largeur dépasse le banc de scie de base ou pour aider à alimenter, soutenir la pièce ou pour la tirer.

Pour optimiser le résultat, utiliser le support DW7080 de travail en extension afin d'augmenter la largeur de votre table à scier. Il est vendu séparément par votre distributeur.

Soutenir les longues pièces à l'aide de tout moyen commode, par exemple un chevalet de sciage ou un appareil similaire, afin d'empêcher les extrémités de tomber.

DÉCOUPE DE CADRES, DE COFFRAGES ET D'AUTRES OBJETS À QUATRE FACES

Pour mieux comprendre comment façonner les éléments mentionnés ici, nous vous suggérons de commencer par des projets simples en utilisant des chutes de bois jusqu'à ce que vous soyez bien familiarisé avec votre outil.

La scie est l'outil parfait pour réaliser des coins à l'onglet comme celui illustré à la figure 17. Le diagramme A de la figure 17 illustre un assemblage réalisé à l'aide du réglage de biseau pour biseauter les arêtes des deux planches à 45° chacune afin de produire un coin à 90°. Pour réaliser cet assemblage, le bras d'onglet était bloqué à la position zéro et le réglage de biseau était bloqué à 45°. Le morceau de bois était positionné avec le large côté plat contre la table et l'arête étroite contre le guide. Il aurait également été possible de découper à l'onglet à droite et à gauche en maintenant la surface large contre le guide.

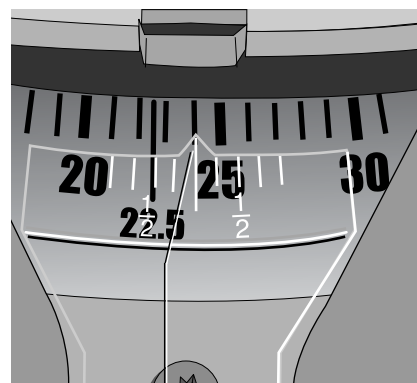
DÉCOUPE DE MOULURES DE GARNISSAGE ET D'AUTRES CADRES

Le diagramme B de la figure 17 illustre un assemblage réalisé en réglant le bras d'onglet à 45° pour couper à l'onglet les deux planches afin de former un coin à 90°. Pour réaliser ce type d'assemblage, régler le biseau sur zéro et le bras d'onglet sur 45°. Le morceau de bois était à nouveau positionné avec le large côté plat contre la table et l'arête étroite contre le guide.

Les deux diagrammes de la figure 17 correspondent à des objets à quatre côtés.

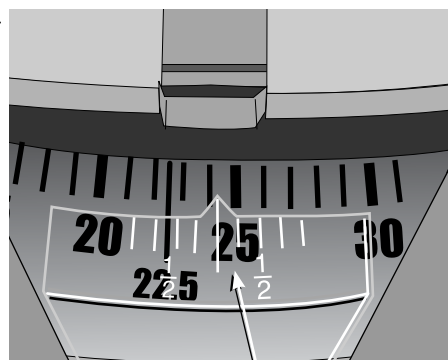
Lorsque le nombre de côtés change, les angles d'onglets et de biseau changent aussi. Le tableau ci-dessous indique les angles adéquats pour diverses formes. Le tableau suppose que tous les côtés sont de mêmes longueurs. Pour réaliser une forme qui n'apparaît pas dans le tableau, utiliser la formule suivante : 180° divisés par le nombre de côtés donnent l'angle d'onglets ou de biseau.

FIG. 23



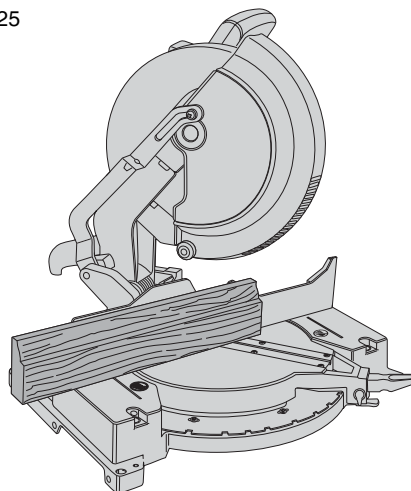
LE REPÈRE CENTRAL DE L'ÉCHELLE À VERNIER S'ALIGNE AVEC L'ANGLE ENTIER VOULU SUR L'ÉCHELLE À ONGLETS (ONGLET DROIT À 24°)

FIG. 24



LE REPÈRE MICROMÉTRIQUE DE 1/4° S'ALIGNE AVEC LE REPÈRE DE DEGRÉ ENTIER LE PLUS PRÈS SUR L'ÉCHELLE À ONGLETS (ONGLET DROIT DE 24-1/4°)

FIG. 25



- EXEMPLES -

PAS DE CÔTÉ	ONGLET OU BISEAU D'ANGLE
4	45°
5	36°
6	30°
7	25,7°
8	22,5°
9	20°
10	18°

DÉCOUPE À ONGLETS MIXTES

Une coupe à onglets mixtes est réalisée en utilisant simultanément un angle d'onglet et un angle de biseau. C'est le type de coupe utilisé pour fabriquer des cadres ou des boîtes dont les côtés sont inclinés, comme il est illustré dans la figure 18.

REMARQUE : Si l'angle de coupe varie d'une coupe à l'autre, s'assurer que le bouton de serrage de biseau et le bouton de blocage d'onglet sont bien serrés. Ces boutons doivent être resserrés après chaque réglage d'onglet ou de biseau.

Le tableau de la page 35 vous aidera à sélectionner les réglages d'onglet et de biseau adéquats pour des coupes à onglets mixtes classiques. Pour utiliser le tableau, sélectionner l'angle « A » souhaité (figure 19) pour votre projet et rechercher cet angle sur l'arc adéquat du tableau. Tracer un trait vertical à partir de ce point pour lire l'angle de biseau adéquat et un trait horizontal pour lire l'angle d'onglet adéquat.

Régler la scie sur les angles prescrits et effectuer quelques coupes d'essai. S'entraîner à assembler les pièces coupées jusqu'à maîtriser cette procédure.

EXEMPLE : Pour fabriquer une boîte à 4 côtés avec des angles extérieurs à 26° (angle A, figure 19), utiliser l'arc supérieur droit. Trouver la valeur 26° sur l'échelle de l'arc. Suivre la ligne horizontale intersectante jusqu'à l'un des deux axes pour obtenir le réglage de l'angle d'onglet pour votre scie (42°). Suivre de même la ligne verticale intersectante vers le bas ou vers le haut pour obtenir le réglage de l'angle de biseau pour la scie (18°). Toujours essayer les coupes sur des chutes de bois afin de vérifier les réglages de la scie.

ÉCHELLE À ONGLETS

Utiliser l'échelle lors du calcul d'angles. Pour calculer le bon angle d'onglet, diviser 180° par le nombre de côtés de la boîte ou du cadre. Se reporter au tableau en page 29 pour quelques exemples.

ÉCHELLE À VERNIER (FIG. 23, 24)

La scie est dotée d'une échelle à vernier pour une précision accrue. L'échelle à vernier permet de régler avec exactitude les angles d'onglets au quart de degré près (15 minutes). Pour utiliser l'échelle à vernier, suivre les étapes suivantes.

(Par exemple, supposons que l'angle voulu de l'onglet est de 24 1/4 ° à droite).

1. Éteindre la scie à onglets.
2. Régler l'angle d'onglets au degré entier près voulu en alignant le repère central sur l'échelle à vernier, illustrée à la figure 23, le numéro de degré entier est gravé sur l'échelle à onglets. Examiner de près la figure 23, le réglage montre un onglet de 24 ° à droite.
3. Pour régler le quart de degré restant, presser le dispositif de blocage du bras d'onglet, puis déplacer le bras à DROITE de manière à ce que le repère du vernier pour 1/4 de degré s'aligne avec le repère du degré LE PLUS PRÈS de l'échelle à onglets. Dans cet exemple, le repère du degré le plus près sur l'échelle à onglets se trouve être celui de 25 °. La figure 24 montre un réglage d'onglet de 24 1/4 ° à droite.

Pour le réglage des degrés partiels (1/4, 1/2, 3/4 °), aligner le repère de vernier avec le repère du degré le PLUS PRÈS sur l'échelle à onglets, comme indiqué ci-haut. (La plaque en plastique de l'échelle à vernier affiche les repères inscrits pour le 1/4, 1/2, 3/4 et 1 °. Seuls, le 1/2 ° présente un numéro.)

POUR L'ASSEMBLAGE EN ONGLET À DROITE

Pour augmenter l'angle d'onglet durant l'assemblage en onglet à droite, déplacer le bras de manière à aligner le repère micrométrique avec le repère le plus près sur l'échelle à onglets, à droite. Pour réduire l'angle d'onglet durant l'assemblage en onglet à droite, déplacer le bras de manière à aligner le bon repère micrométrique avec le repère le plus près sur l'échelle à onglets, à gauche.

POUR L'ASSEMBLAGE EN ONGLET À GAUCHE

Pour accroître l'angle d'onglet durant l'assemblage en onglet à gauche, déplacer le bras de manière à aligner le bon repère micrométrique avec le repère le plus près sur l'échelle à onglets, à gauche. Pour réduire l'angle d'onglet durant l'assemblage en onglet à gauche, déplacer le bras de manière à aligner le bon repère micrométrique avec le repère le plus près sur l'échelle à onglets, à droite.

DÉCOUPE DE MOULURES D'EMBASE

TOUJOURS EFFECTUER UN ESSAI À BLANC SANS ALIMENTATION AVANT D'ENTAMER TOUTE COUPE.

Coupes droites perpendiculaires :

Placer le bois contre le guide et le maintenir en place, comme indiqué à la figure 21. Mettre la scie en marche, laisser la lame atteindre son plein régime et abaisser doucement le bras dans la coupe.

COUPE DE MOULURES D'EMBASE D'UNE ÉPAISSEUR MAXIMALE DE 88,9 mm (3,5 PO) À LA VERTICALE, CONTRE LE GUIDE

Placer la moulure, comme indiqué à la figure 25.

Toutes les coupes sont réalisées de manière à ce que l'arrière de la moulure soit contre le guide et la base de la moulure contre la base.

FIG. 26

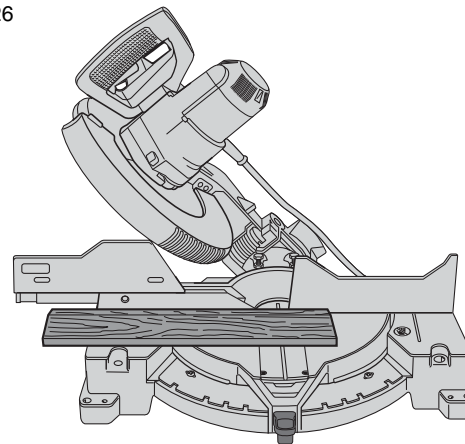


FIG. 27

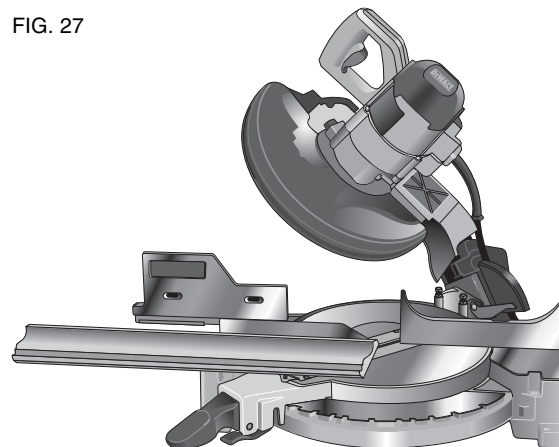
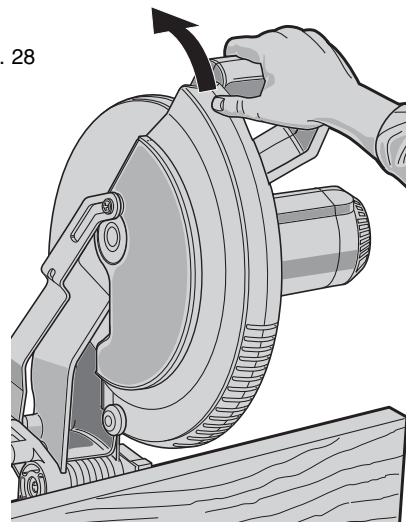


FIG. 28



COIN INTÉRIEUR:

Côté gauche

1. Onglet gauche à 45 °
2. Conservez le côté gauche de la coupe

Côté droit

1. Onglet droit à 45 °
2. Conservez le côté droit de la coupe

COIN EXTÉRIEUR:

Côté gauche

1. Onglet droit à 45 °
2. Conservez le côté gauche de la coupe

Côté droit

1. Onglet gauche à 45 °
2. Conservez le côté droit de la coupe

Tout matériau d'une largeur maximale de 88,9 mm (35 po) peut être coupé, comme indiqué ci-dessus. Pour les planches plus larges [jusqu'à 107,9 mm (4,25 po)], il faut faire plusieurs concessions mineures.

Pour la coupe d'une planche d'une largeur variant de 88,9 mm (3,5 po) à 107,9 mm (4,25 po), le rouleau, logé sur l'embout du dispositif de protection, pourrait s'accrocher à la pièce. Si cela se produisait, placer simplement le pouce droit sur le côté supérieur du pare-main, puis le relever tout juste assez pour libérer la pièce comme le montre la figure 28. Après avoir libéré la pièce, le dispositif de protection peut être relâché et il continuera de s'ouvrir au fur et à mesure que la coupe progresse.

Pour le biseautage sur le côté droit d'une moulure d'embase d'une largeur de 88,9 mm (3,5 po) tenue à la verticale contre le guide, comme le montre la figure 25, la scie ne peut couper une planche d'une épaisseur maximale de 25,4 mm (1 po), à partir de son extrémité. Ne pas essayer de couper une planche dont l'épaisseur dépasse 25,4 mm, car la pièce sera

bloquée par le boîtier d'engrenages de la scie. Pour couper une moulure d'embase à la verticale dont la largeur varie entre 88,9 mm (3,5 po) et 107,9 mm (4,25 po), respecter les directives ci-dessus.

COUPE DE MOULURES D'EMBASE D'UNE LARGEUR MAXIMALE DE 88,9 mm (3,5 po) À 107,9 mm (4,25 po) À LA VERTICALE, CONTRE LE GUIDE

- Placer la moulure comme indiqué à la figure 25.
- Toutes les coupes doivent être réalisées avec le dos de la moulure contre le guide

COIN INTÉRIEUR :

Côté gauche

1. Positionner la moulure de manière à ce que sa face inférieure soit contre la base de la scie.
2. Onglet gauche à 45 °
3. Conserver le côté gauche de la coupe

Côté droit

1. Positionner la partie supérieure de la moulure contre la base de la scie.
2. Onglet gauche à 45 °
3. Conserver le côté gauche de la coupe

COIN EXTÉRIEUR :

Côté gauche

1. Positionner la face inférieure de la moulure contre la base de la scie.
2. Onglet droit à 45 °
3. Conserver le côté gauche de la coupe

REMARQUE : Si la coupe se trouve à un point autre qu'à 25,4 mm (1 po) de l'extrémité de la moulure : couper la moulure à 90 ° en laissant environ 25,4 mm (1 po) de plus que la longueur finale souhaitée, lors de la coupe d'onglet décrite ci-dessus.

Côté droit

1. Positionner la face inférieure de la moulure contre la base de la scie.
2. Onglet gauche à 45 °
3. Conserver le côté droit de la coupe

Une troisième méthode existe pour effectuer la coupe nécessaire, utiliser l'onglet à zéro degré avec un biseau de 45 °. La scie peut couper un biseau de 157,6 mm (6,2 po) de largeur.

COUPE DE MOULURES D'EMBASE À PLAT AVEC LA FONCTIONNALITÉ DE BISEAU

- Toutes les coupes sont effectuées à des angles de biseau de 45 ° et d'onglet de zéro degré.
- Toutes les coupes sont exécutées avec le dos de la moulure à plat sur la scie, comme indiqué à la figure 26.
- Déplacer la section gauche du guide hors de la trajectoire de la lame avant d'essayer l'une des coupes ci-dessous.

COIN INTÉRIEUR :

Côté gauche

1. Positionner la partie supérieure de la moulure contre le guide
2. Conserver le côté gauche de la coupe

Côté droit

1. Positionner la face inférieure de la moulure contre le guide
2. Conserver le côté gauche de la coupe

COIN EXTÉRIEUR :

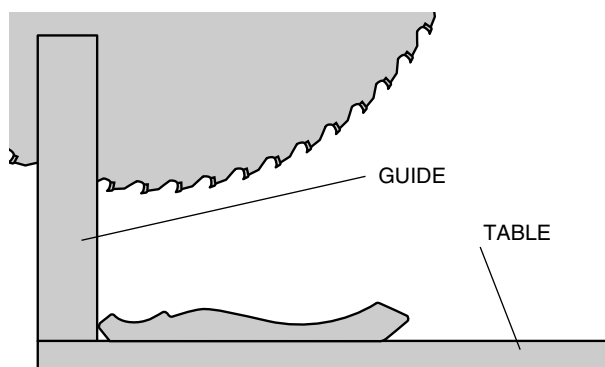
Côté gauche

1. Positionner la face inférieure de la moulure contre le guide
2. Conserver le côté droit de la coupe

Côté droit

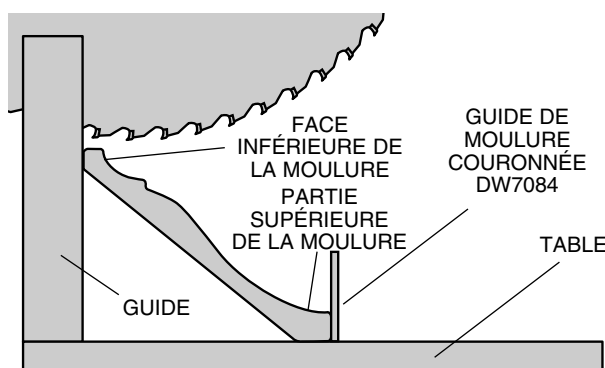
1. Positionner la partie supérieure de la moulure contre le guide
2. Conserver le côté droit de la coupe

FIG. 29



MOULURE COURONNÉE À PLAT SUR LA TABLE ET APPUYÉE CONTRE LE GUIDE

FIG. 30



MOULURE COURONNÉE ENTRE GUIDE ET TABLE

FIG. 31

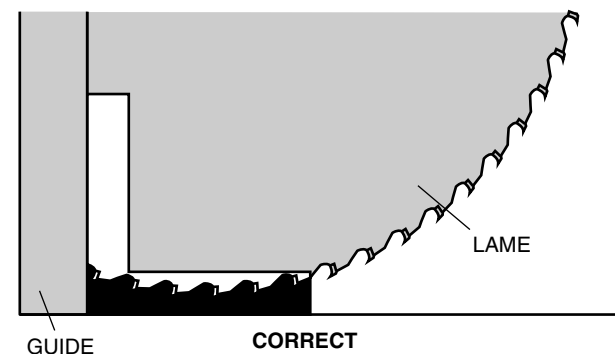
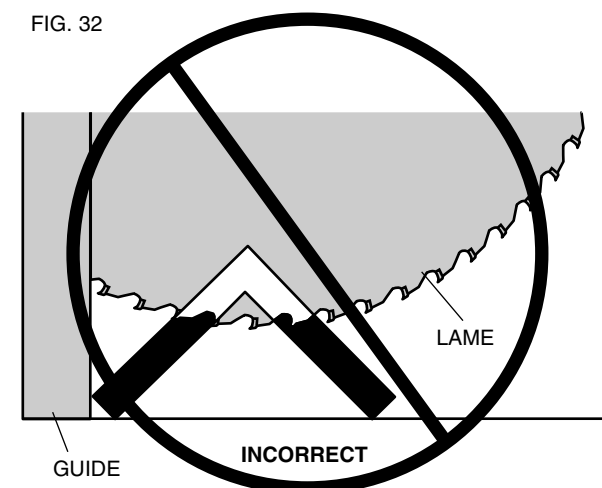


FIG. 32



DÉCOUPE DE MOULURE COURONNÉE

La scie à onglets est mieux adaptée à la tâche de découpe de moulures couronnées qu'aucun autre outil. Afin de s'ajuster correctement, les moulures couronnées doivent être découpées à onglets mixtes avec une précision extrême.

Les deux surfaces plates d'un morceau de moulure couronnée donné sont à des angles dont la somme est exactement de 90 °. La majorité, mais non la totalité, des moulures couronnées ont un angle arrière supérieur (la section qui s'adapte à plat contre le plafond) de 52 ° et un angle arrière inférieur (la partie qui s'adapte à plat contre le mur) de 38 °.

La scie à onglets comporte des points de loquet d'onglet prédéfinis particuliers à 31,62 °, à gauche et à droite, pour couper des moulures couronnées à l'angle adéquat (fig. 27). Une marque est également présente sur l'échelle de biseau à 33,85 °.

Le tableau ci-dessous indique les paramètres appropriés pour la coupe de moulures couronnées. (Les chiffres donnés pour les réglages de l'onglet et du biseau sont très précis et ne sont pas faciles à régler précisément sur la scie). Comme les angles de la plupart des pièces ne sont pas exactement de 90 °, il vous faudra dans tous les cas ajuster vos réglages.

IL EST EXTRÊMEMENT IMPORTANT D'EFFECTUER DES TESTS PRÉLIMINAIRES SUR DES CHUTES DE MOULURE!

POUR LA COUPE DE MOULURES COURONNÉES REPOSANT À PLAT ET L'UTILISATION DES FONCTIONS MIXTES

1. Déplacer la section gauche du guide hors de la trajectoire de la lame avant d'essayer l'une des coupes ci-dessous.
2. Moulure dont la large surface arrière est à plat sur la table à scier (fig. 29).
3. Les réglages ci-dessous s'appliquent à toutes les moulures couronnées standard (É-U) présentant des angles de 52 ° et 38 °.

RÉGLAGE TYPE DE COUPE DU BISEAU

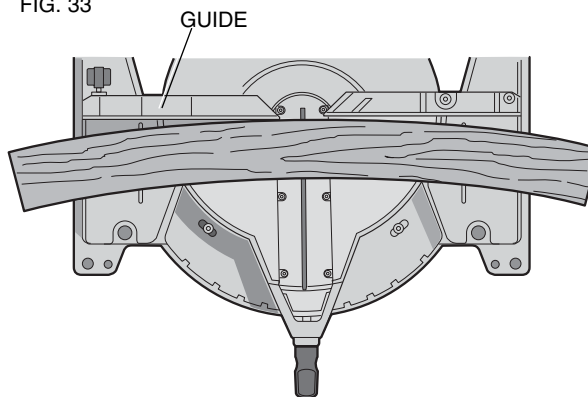
	CÔTÉ GAUCHE, COIN INTÉRIEUR:
33.85 °	<ol style="list-style-type: none"> 1. Partie supérieure de la moulure contre le guide 2. Table d'onglet définie à 31,62 ° 3. Conserver le côté gauche de la coupe
33.85 °	<p>CÔTÉ DROIT, COIN INTÉRIEUR:</p> <ol style="list-style-type: none"> 1. Partie inférieure de la moulure contre le guide 2. Table d'onglet définie à gauche, à 31,62 ° 3. Conserver le côté gauche de la coupe
33.85 °	<p>CÔTÉ GAUCHE, COIN EXTÉRIEUR</p> <ol style="list-style-type: none"> 1. Partie inférieure de la moulure contre le guide 2. Table d'onglet définie à gauche, à 31,62 ° 3. Conserver le côté droit de la coupe
33.85 °	<p>CÔTÉ DROIT, COIN EXTÉRIEUR:</p> <ol style="list-style-type: none"> 1. Partie supérieure de la moulure contre le guide 2. Table d'onglet définie à 31,62 ° 3. Conserver le côté droit de la coupe

Lors du réglage d'onglet et de biseau pour tous les onglets mixtes, ne pas oublier que :

les angles présentés pour les moulures couronnées sont très précis et difficiles à régler de manière exacte. Puisqu'ils peuvent facilement se décaler légèrement et que très peu de pièces présentent des angles exactement droits, tous les réglages doivent être testés auparavant sur des chutes de moulures.

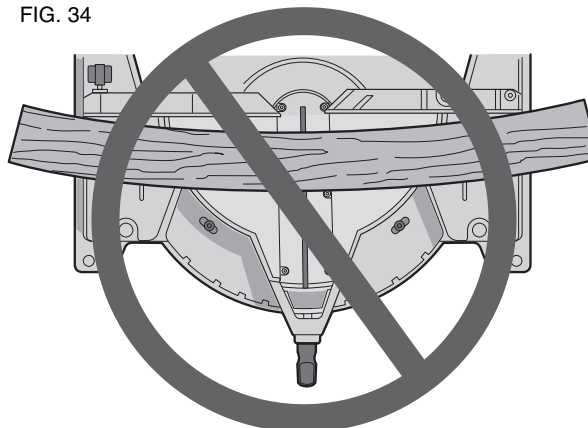
IL EST EXTRÊMEMENT IMPORTANT D'EFFECTUER DES TESTS PRÉLIMINAIRES SUR DES CHUTES DE MOULURE!

FIG. 33



CORRECT

FIG. 34



INCORRECT

MÉTHODE ALTERNATIVE DE DÉCOUPE DE MOULURES COURONNÉES

Mettre la moulure sur la table, selon un angle donné entre le guide et la table de scie, comme le montre la figure 30. Nous recommandons vivement l'utilisation de l'accessoire (DW7084) de guide pour moulure couronnée en raison de son degré de précision et de sa commodité. Cet accessoire est vendu séparément chez le détaillant de votre région.

Avec cette méthode de découpe de moulure couronnée, aucune coupe biseautée n'est requise. Des modifications minimales peuvent être apportées à l'angle d'onglets sans modifier l'angle de biseau. Ainsi, en cas de coins autres qu'à 90 °, il est possible de régler rapidement et facilement la scie en conséquence. Utiliser l'accessoire de guide pour moulures couronnées (DW7084) afin de conserver l'angle que formera la moulure avec le mur.

DIRECTIVES POUR LA COUPE DE MOULURES COURONNÉES MISES EN ANGLE ENTRE LE GUIDE ET LA BASE DE LA SCIE POUR TOUTES LES COUPES :

1. Faire pivoter la moulure de sorte que sa face inférieure (celle qui sera adossée au mur lors de l'installation) s'appuie contre le guide et que sa partie supérieure repose sur la base de la scie, comme indiqué à la figure 30.
2. Les parties plates formant un angle à l'arrière de la moulure doivent bien reposer sur le guide et la base de la scie.

COIN INTÉRIEUR :

Côté gauche

1. Onglet droit à 45 °
2. Conserver le côté droit de la coupe

Côté droit

1. Onglet gauche à 45 °
2. Conserver le côté gauche de la coupe

COIN EXTÉRIEUR :

Côté gauche

1. Onglet gauche à 45 °
2. Conserver le côté droit de la coupe

Côté droit

1. Onglet droit à 45 °
2. Conserver le côté gauche de la coupe

Découpes spéciales

NE JAMAIS EFFECTUER DE DÉCOUPE SI LE MATÉRIAU N'EST PAS MAINTENU EN PLACE SUR LA TABLE ET CONTRE LE GUIDE.

DÉCOUPE D'ALUMINIUM

TOUJOURS UTILISER DES LAMES DE SCIE APPROPRIÉES SPÉCIALEMENT CONÇUES POUR LA DÉCOUPE D'ALUMINIUM. À cause de leur taille, de leur forme ou de l'aspect de leur surface, certaines pièces peuvent nécessiter l'utilisation de pinces ou de fixations pour éviter tout mouvement durant la découpe. Positionner le matériau de telle sorte que la section transversale la plus fine sera coupée, comme indiqué à la figure 31. La figure 32 illustre la mauvaise manière de couper ces extrusions. Utiliser un lubrifiant de coupe en cire, en bâton, pour la coupe d'aluminium. Appliquer directement le lubrifiant de coupe en cire en bâton sur la lame de scie avant d'entamer l'opération de coupe. Ne jamais appliquer de cire en bâton sur une lame en mouvement.

La cire est disponible auprès de la majorité des quincailleries et des magasins de fourniture en minoteries; elle apporte une lubrification adaptée et empêche les copeaux d'adhérer à la lame.

S'assurer de bien fixer la pièce. Se reporter aux page 22 pour déterminer la bonne lame de scie.

MATÉRIAU ARQUÉ

Pour la coupe de matériau arqué, toujours le positionner comme le montre la figure 33 et non comme le montre la figure 34. Le fait de mal positionner le matériau entraînera le pincement de la lame près de la fin de la coupe.

DÉCOUPE DE TUYAU EN PLASTIQUE OU D'AUTRE MATÉRIAU ROND

Il est facile de couper des tuyaux en plastique avec la scie. Il faut les couper exactement de la même manière que du bois **ET LES SERRER OU LES MAINTENIR FERME CONTRE LE GUIDE POUR LES EMPÊCHER DE ROULER**. Cela est extrêmement important lors de coupes en angle.

COUPE DE GRANDS MATÉRIAUX

Il peut arriver occasionnellement qu'une pièce de bois soit légèrement trop grande pour passer sous le pare-main de la lame. Il est possible de gagner un peu de hauteur en faisant rouler le pare-main vers le haut et augmenter le dégagement, comme indiqué à la figure 28. Éviter d'agir ainsi autant que possible, mais si cela est nécessaire, la scie fonctionnera correctement et vous permettra de réaliser cette grande découpe. **NE JAMAIS ATTACHER, NI COLLER, NI FIXER LE PARE-MAIN DE MANIÈRE À LE MAINTENIR OUVERT DURANT L'UTILISATION DE CETTE SCIE.**

ENTRETIEN

NE PAS utiliser de graisse ni de produits nettoyants (en particulier de pulvérisateur ou d'aérosol) à proximité du pare-main en plastique. Certains produits chimiques peuvent attaquer le matériau de polycarbonate dont il est constitué.

1. Tous les roulements sont scellés. Ils sont lubrifiés à vie et n'ont besoin d'aucun entretien supplémentaire.
2. Retirer régulièrement toute la poussière et tous les copeaux de bois situés autour **ET SOUS** la base et la table rotative. Même si des emplacements sont prévus pour permettre l'évacuation de débris, de la poussière s'accumule.
3. Les balais sont conçus pour durer plusieurs années. Pour le remplacement des balais, se reporter à la rubrique **Balais** à la page 26 ou retourner l'outil au centre de réparation le plus près pour le remplacement des pièces. Une liste des emplacements des centres de réparation est comprise avec l'outil.

Information sur les réparations ou l'entretien

Avoir en main les informations suivantes pour tous les appels concernant une réparation ou un entretien :

Numéro du modèle _____

Numéro de série _____

Date et lieu de l'achat _____

Réparations

Pour assurer la **SÉCURITÉ** et la **FIABILITÉ** du produit, les réparations, l'entretien et les réglages doivent être réalisés par un centre de réparation en usine de DEWALT, un centre de réparation agréé DEWALT ou par du personnel de réparation professionnel. Toujours utiliser des pièces de rechange identiques.

Garantie limitée trois ans

DEWALT réparera gratuitement tous les problèmes dus à des défauts de matériau ou de fabrication pendant trois ans à compter de la date d'achat. Cette garantie ne couvre pas des défaillances de pièce dues à une usure normale ou à une mauvaise utilisation de l'outil. Pour plus de détails relatifs à la couverture de la garantie et aux réparations sous garantie, visiter le site Web www.dewalt.com ou composer le 1-800-4-DEWALT (1-800-433-9258). Cette garantie ne s'applique pas aux accessoires ni aux dommages causés par des réparations réalisées ou tentées par des tiers. Cette garantie vous accorde des droits légaux spécifiques et il est possible que vous ayez d'autres droits qui varient d'un État ou d'une province à l'autre.

En plus de la garantie, les outils DEWALT sont couverts par notre :

SERVICE D'ENTRETIEN GRATUIT DE 1 AN

DEWALT entretiendra l'outil et remplacera les pièces usées par une utilisation normale et ce, gratuitement, à tout instant pendant la première année à compter de la date d'achat.

GARANTIE DE REMBOURSEMENT DE 90 JOURS

Si vous n'êtes pas entièrement satisfait des performances de votre outil électrique, laser ou de votre marteau-cloueur DEWALT pour quelque raison que ce soit, vous pouvez le retourner accompagné d'un reçu dans les 90 jours suivant la date d'achat et nous vous rembourserons entièrement - sans poser de questions.

AMÉRIQUE LATINE : cette garantie ne s'applique pas aux produits vendus en Amérique latine. Pour ceux-ci, veuillez consulter les informations relatives à la garantie spécifique présente dans l'emballage, appeler l'entreprise locale ou consulter le site Web pour les informations relatives à cette garantie.

REMPACEMENT GRATUIT DES ÉTIQUETTES D'AVERTISSEMENT

: si les étiquettes d'avertissement deviennent illisibles ou sont manquantes, composer le 1-800-4-DEWALT (1-800-433-9258) pour en obtenir le remplacement gratuit.

⚠ WARNING FOR YOUR OWN SAFETY READ INSTRUCTION MANUAL BEFORE OPERATING MITER SAW. KEEP HANDS OUT OF PATH OF SAW BLADE. DO NOT OPERATE SAW WITHOUT GUARDS. IN PLACE, CHECK LOWER GUARD FOR PROPER CLOSING BEFORE EACH USE. ALWAYS TIGHTEN ADJUSTMENT BEFORE USE. DO NOT PERFORM ANY OPERATION FREIGHTING, NEVER REACH IN BACK OF SAW BLADE. NEVER CROSS ARMS IN FRONT OF BLADE. TURN OFF TOOL AND WAIT FOR SAW BLADE TO STOP BEFORE MOVING WORKPIECE. CHANGING SETTINGS OR MOVING HANDS. DISCONNECT POWER BEFORE CHANGING BLADE OR SERVICING. TO REDUCE THE RISK OF INJURY, ALLOW SAW TO RETURN TO THE FULL UP POSITION AFTER EACH OPERATION. THINK! YOU CAN PREVENT ACCIDENTS.	⚠ ADVERTENCIA PARA SU PROPIA SEGURIDAD, LEA EL MANUAL DE INSTRUCCIONES ANTES DE PONER EN MARCHA LA SIERRA DE INGLETE. MANTENGA LAS MANOS ALEJADAS DEL TRAYECTO DE LA HOJA DE LA SIERRA. NO OPERE LA SIERRA SI LOS PROTECTORES NO ESTÁN ADECUADAMENTE INSTALADOS. VERIFIQUE QUE EL PROTECTOR INFERIOR CIERRE CORRECTAMENTE ANTES DE CADA USO. AJUSTE SIEMPRE LA REGULACION ANTES DE UTILIZAR LA HERRAMIENTA. NO REALICE NINGUNA OPERACION SIN UTILIZAR LAS MANOS. NUNCA SE ESTIRE PARA ALCANZAR ALGO DETRAS DE LA HOJA DE LA SIERRA. NUNCA CRUCE LOS BRAZOS FRENTE A LA HOJA. APAGUE LA HERRAMIENTA Y ESPERE QUE LA HOJA SE DETENGA POR COMPLETO ANTES DE RETIRAR LA PIEZA DE TRABAJO. ANTES DE AJUSTAR LA SIERRA O ANTES DE MOVER LAS MANOS, DESCONECTE LA HERRAMIENTA ANTES DE DARLE MANTENIMIENTO O ANTES DE CAMBIAR LA HOJA. A FIN DE REDUCIR EL RIESGO DE LESIONES PERSONALES, REGRESE LA SIERRA A LA POSICION VERTICAL LUEGO DE CADA OPERACION. PESTE ATENCION! USTED PUEDE EVITAR ACCIDENTES.	⚠ AVERTISSEMENT POUR VOTRE PROPRE SÉCURITÉ, LIRE LE MODE D'EMPLOI AVANT D'UTILISER LA SCIE À ONGLETS. GARDER LES MAINS HORS DE LA TRAJECTOIRE DE LA LAME DE LA SCIE. NE PAS UTILISER LA SCIE SANS QUE LES PARE-MAINS NE SOIENT EN PLACE. VÉRIFIER AVANT CHAQUE USAGE QUE LE PARE-MAIN INFÉRIEUR SE FERME BIEN. TOUJOURS BIEN SERRER LES RÉGLAGES AVANT UTILISATION. EFFECTUER TOUTE OPÉRATION EN TENANT L'OUTIL DES DEUX MAINS. NE JAMAIS PASSER LES MAINS À L'ARRIÈRE DE LA LAME DE LA SCIE. NE JAMAIS PASSER LES BRAS DEVANT LA LAME. ÉTEINDRE L'OUTIL ET ATTENDRE L'ARRÊT DE LA LAME DE LA SCIE AVANT DE DÉPLACER LA PIÈCE. DE MODIFIER LES RÉGLAGES OU DE DÉPLACER LES MAINS, DÉBRANCHER LA SCIE AVANT DE REMPLACER UNE LAME OU PROCÉDER À UNE RÉPARATION. AFIN DE RÉDUIRE LE RISQUE DE BLESSURES, LASSER LA SCIE REVENIR EN POSITION COMPLÈTEMENT RELEVÉE APRÈS CHAQUE UTILISATION. SUPPÉ DE RÉFLÉCHIR! DES ACCIDENTS PEUVENT ÊTRE ÉVITÉS.
---	--	--

PROPERLY SECURE BRACKET WITH BOTH SCREWS BEFORE USE.

ASEGURE LA MENSULA DEBIDAMENTE CON AMBOS TORNILLOS ANTES DE PONER EN MARCHA LA HERRAMIENTA.

BIEN FIXER LE SUPPORT À L'AIDE DES DEUX VIS AVANT L'UTILISATION.



DW713 10" (254mm) COMPOUND MITER SAW

⚠ WARNING TO REDUCE THE RISK OF INJURY, USER MUST READ THE INSTRUCTION MANUAL BEFORE OPERATING MITER SAW. WHEN SERVICING, USE ONLY IDENTICAL REPLACEMENT PARTS. DO NOT EXPOSE TO RAIN OR USE IN DAMP LOCATIONS. ALWAYS USE PROPER EYE AND RESPIRATORY PROTECTION.

⚠ ADVERTENCIA PARA SU PROPIA SEGURIDAD, LEA EL MANUAL DE INSTRUCCIONES ANTES DE PONER EN MARCHA LA SIERRA DE INGLETE. A LA HOJA DE PRESTAR MANTENIMIENTO, SE DEBERÁ UTILIZAR SOLAMENTE PIEZAS IDENTICAS DE REEMPLAZO. NO EXPONER LA HERRAMIENTA A LA LLUVIA NI LA HACIA FUNCIONAR EN LOS LUGARES HUMEDOS. SIEMPRE SE DEBERÁ UTILIZAR LAS GUARDAS Y LA PROTECCION APROPIADA PARA ESMERILAR AL IGUAL QUE PARA PROTEGER LA VISTA Y LAS VÍAS RESPIRATORIAS.

⚠ AVERTISSEMENT PAR MESURE DE SÉCURITÉ, LIRE LE GUIDE D'UTILISATION AVANT DE SE SERVIR DE LA SCIE À ONGLETS. LORS DES TRAVAUX D'ENTRETIEN, N'UTILISER QUE DES PIÈCES DE RECHANGE IDENTIQUES. NE PAS EXPOSER L'OUTIL À LA PLUIE NI S'EN SERVIR DANS DES ENDROITS HUMIDES. TOUJOURS PORTER DE L'ÉQUIPEMENT DE PROTECTION OCULAIRE ET RESPIRATOIRE APPROPRIÉ.

DEWALT INDUSTRIAL TOOL CO., BALTIMORE MD, 21286 USA
FOR SERVICE INFORMATION, CALL 1-800-4-DEWALT www.DEWALT.com



⚠ ALWAYS ADJUST FENCE PROPERLY BEFORE USE. CLAMP SMALL PIECES BEFORE CUTTING. SEE MANUAL.

AJUSTE LA GUÍA DEBIDAMENTE ANTES DE UTILIZAR LA HERRAMIENTA. ASEGURE LAS PIEZAS PEQUEÑAS ANTES DE CORTARLAS. CONSULTE EL MANUAL.

TOUJOURS RÉGLER LE GUIDE AVANT UTILISATION. FIXER LES PETITS OBJETS AVANT DE LES SCIER. CONSULTEZ LE GUIDE D'UTILISATION.

Français

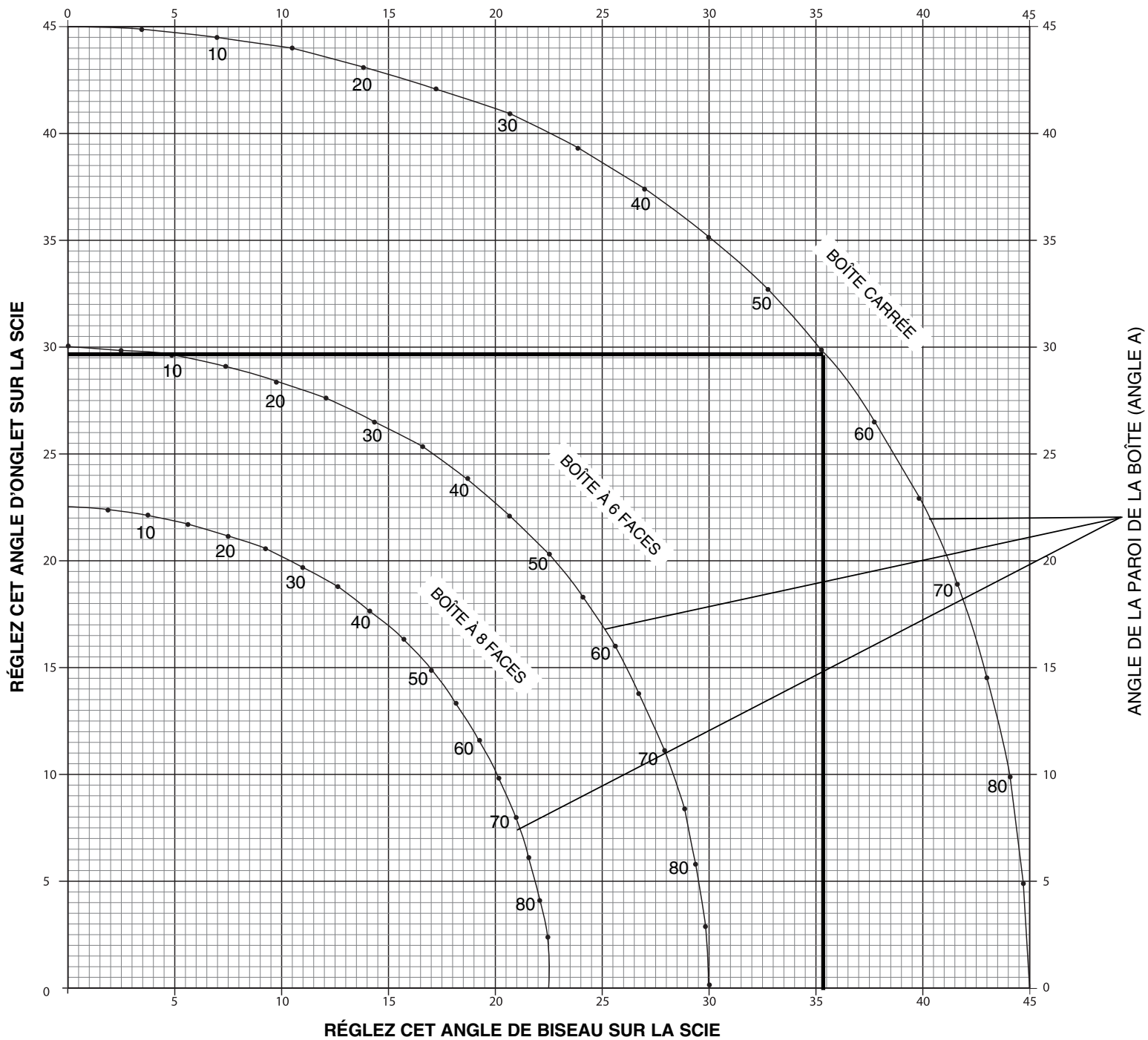
Guide de dépannage

SUIVRE LES RÈGLES ET CONSIGNES DE SÉCURITÉ

PROBLÈME!	QUEL EST LE PROBLÈME?	LA SOLUTION
<i>La scie ne démarre pas</i>	<ol style="list-style-type: none"> 1. Scie non branchée 2. Fusible grillé ou disjoncteur déclenché 3. Cordon endommagé 4. Balais usés 	<ol style="list-style-type: none"> 1. Brancher la scie. 2. Remplacer le fusible ou réinitialiser le disjoncteur. 3. Faire remplacer le cordon par un centre de réparation agréé. 4. Faire remplacer les balais par un centre de réparation autorisé ou les remplacer vous-même selon les directives figurant à la page 26.
<i>Les découpes effectuées par la scie ne sont pas satisfaisantes</i>	<ol style="list-style-type: none"> 1. Lame émoussée 2. Lame montée à l'envers 3. Gomme ou résine sur la lame 4. Lame inadéquate pour le travail effectué 	<ol style="list-style-type: none"> 1. Remplacer la lame, consulter la page 23. 2. Inverser la position de la lame, consulter la page 23. 3. Retirer la lame et la nettoyer à l'aide de térébenthine et de laine d'acier grossière ou avec un nettoyant à four domestique. 4. Changer le type de lame, consulter les page 22.
<i>La lame n'atteint pas son plein régime</i>	<ol style="list-style-type: none"> 1. La rallonge est trop légère ou trop longue 2. Courant domestique trop faible 	<ol style="list-style-type: none"> 1. Remplacer la rallonge avec une de calibre adéquat, consulter la page 19. 2. Contacter le fournisseur d'électricité.
<i>La machine vibre de manière excessive</i>	<ol style="list-style-type: none"> 1. La scie n'est pas correctement fixée sur le tréteau ou l'établi 2. Le tréteau ou l'établi est sur un sol irrégulier 3. Lame de scie endommagée 	<ol style="list-style-type: none"> 1. Serrer toute la quincaillerie de fixation, consulter la page 22. 2. Positionner de nouveau sur une surface plate de niveau, consulter la page 22. 3. Remplacer la lame, consulter la page 23.
<i>Les coupes à onglet manquent de précision</i>	<ol style="list-style-type: none"> 1. L'échelle d'onglet n'est pas correctement réglée 2. La lame n'est pas d'équerre par rapport au guide 3. La lame n'est pas perpendiculaire à la table 4. La pièce à découper se déplace 	<ol style="list-style-type: none"> 1. Vérifier et régler, consulter la page 24. 2. Vérifier et régler, consulter la page 24. 3. Vérifier et régler le guide, consulter la page 24. 4. Bloquer solidement la pièce au guide
<i>Le matériau pince la lame</i>	<ol style="list-style-type: none"> 1. Découpe de matériau arqué 	<ol style="list-style-type: none"> 1. Positionner le matériau arqué, comme indiqué à la page 32.

TABLEAU 1 COUPE À ONGLET MIXTE

(POSITIONNEZ LE MORCEAU DE BOIS AVEC LE LARGE CÔTÉ PLAT CONTRE LA TABLE ET L'ARÊTE ÉTROITE CONTRE LE GUIDE.)



Índice de temas

DEFINICIONES: NORMAS DE SEGURIDAD	37	FUNCIONAMIENTO	45
INSTRUCCIONES DE SEGURIDAD IMPORTANTES	37	INTERRUPTOR.....	45
INSTRUCCIONES SOBRE DOBLE AISLAMIENTO/ENCHUFE POLARIZADO	37	CORTES CON LA SIERRA	45
INSTRUCCIONES DE SEGURIDAD PARA TODAS LAS HERRAMIENTAS.....	37	CORTES TRANSVERSALES.....	45
REGLAS DE SEGURIDAD ADICIONALES.....	38	CORTES BISELADOS	46
CONEXIÓN ELÉCTRICA	40	CALIDAD DEL CORTE	46
DESEMBALAJE DE SU SIERRA.....	40	POSICIÓN DEL CUERPO Y LAS MANOS.....	47
FAMILIARIZARSE CON LA HERRAMIENTA.....	40	SUJECIÓN DE LA PIEZA DE TRABAJO.....	47
ESPECIFICACIONES.....	40	PARA INSTALAR LA ABRAZADER.....	47
ACCESORIOS OPCIONALES	40	SOPORTE DE PIEZAS LARGAS.....	48
ACCESORIOS	41	CORTE DE MARCOS PARA FOTOS, CAJAS PARA EXHIBIR OBJETOS Y OTROS ELEMENTOS DE CUATRO LADOS	48
MONTAJE EN EL BANCO DE TRABAJO.....	41	CORTE DE MOLDURAS DE TERMINACIÓN Y OTROS MARCOS	48
CAMBIO O INSTALACIÓN DE UNA NUEVA HOJA DE LA SIERRA	42	CORTE DE INGLETES COMPUESTOS	48
TRANSPORTE DE LA SIERRA.....	43	ESCALA DE INGLETE.....	49
AJUSTES	43	ESCALA VERNIER	49
REGULACIÓN DE LA ESCALA DEL INGLETE	43	INGLETE A LA DERECHA	49
REGULACIÓN DEL INDICADOR DE INGLETE.....	43	INGLETE A LA IZQUIERDA	49
BISEL A ESCUADRA CON LA MESA	43	CORTES DE MOLDURA DE BASE.....	49
INDICADOR DE BISEL.....	43	CORTE DE MOLDURAS DE CORONA	50
TOPE DE BISEL	43	CORTES ESPECIALES	51
REGULACIÓN DE LA GUÍA.....	44	MANTENIMIENTO.....	52
ACCIONAMIENTO Y VISIBILIDAD DEL PROTECTOR	44	REPARACIONES	52
FRENO ELÉCTRICO AUTOMÁTICO	44	GARANTÍA.....	52
REGULACIÓN DEL BLOQUEO DE INGLETE	45	GUÍA DE DETECCIÓN DE PROBLEMAS	54
CEPILLOS.....	45	CUADRO DE REFERENCIA PARA CORTE DE INGLETES COMPUESTOS.....	55

Definiciones: Normas de seguridad

Las siguientes definiciones describen el nivel de gravedad de cada advertencia. Lea el manual y preste atención a estos símbolos.

▲ **PELIGRO:** indica una situación de peligro inminente que, si no se evita, **provocará la muerte o lesiones graves.**

▲ **ADVERTENCIA:** Indica una situación de peligro potencial que, si no se evita, **podría provocar la muerte o lesiones graves**

▲ **ATENCIÓN:** Indica una situación de peligro potencial que, si no se evita, **puede provocar lesiones leves o moderadas.**

AVISO: Se refiere a una práctica **no relacionada a lesiones corporales** que de no evitarse **puede resultar en daños a la propiedad.**

SI TIENE ALGUNA DUDA O ALGÚN COMENTARIO SOBRE ÉSTA U OTRA HERRAMIENTA DEWALT, LLÁMENOS AL NÚMERO GRATUITO: 1-800-4-DEWALT (1-800-433-9258).

INSTRUCCIONES DE SEGURIDAD IMPORTANTES

▲ **ADVERTENCIA:** Lea todas las instrucciones antes de hacer funcionar el producto. El incumplimiento de todas las instrucciones enumeradas a continuación puede provocar una descarga eléctrica, un incendio o lesiones graves.

LEA TODAS LAS INSTRUCCIONES

Doble aislamiento

Las herramientas de doble aislamiento están fabricadas en su totalidad con dos capas separadas o con una capa de doble espesor de aislamiento eléctrico, que protege al usuario del sistema eléctrico de la herramienta. Las herramientas fabricadas con este sistema de aislamiento no requieren conexión a tierra. En consecuencia, esta herramienta está equipada con un enchufe de dos conectores que le permite utilizar cables prolongadores sin tener que preocuparse por mantener la conexión a tierra.

NOTA: El doble aislamiento no sustituye las precauciones normales de seguridad que se deben tomar al utilizar esta herramienta. El sistema de aislamiento es una medida de protección adicional contra cualquier lesión resultante de una posible falla eléctrica del sistema de aislamiento interno de la herramienta.

▲ **ATENCIÓN:** AL REPARAR, SÓLO UTILICE PIEZAS DE REPUESTO IDÉNTICAS A LAS ORIGINALES. Repare o reemplace los cables dañados.

Enchufes polarizados

Los enchufes polarizados (una pata es más ancha que la otra) se utilizan en los equipos para reducir el riesgo de descarga eléctrica. Este enchufe se ajusta al tomacorriente polarizado de una sola manera. Si el enchufe no se ajusta totalmente al tomacorriente, invierta el enchufe. Si aun así no se ajusta bien, recurra a un electricista calificado para que instale un tomacorriente adecuado. No cambie el enchufe de ninguna manera.

Instrucciones de seguridad para todas las herramientas

Esta sierra ingletadora acepta los accesorios de luz de trabajo y láser DEWALT.

▲ **ADVERTENCIA:** Para reducir el riesgo de lesiones oculares, SIEMPRE utilice protección ocular al operar la sierra ingletadora.

- **MANTENGA EL PROTECTOR INSTALADO ADECUADAMENTE** y en funcionamiento.
- **RETIRE LAS LLAVES DE AJUSTE Y LLAVES DE TUERCAS.** Acostúmbrese a verificar que se hayan retirado del eje las llaves de ajuste y las llaves de tuercas antes de encender la herramienta. Las herramientas, las piezas de descarte y otro tipo de desechos pueden salir despedidos a alta velocidad y provocar lesiones.

- **MANTENGA LIMPIA EL ÁREA DE TRABAJO.** Los espacios y los bancos de trabajo abarrotados propician accidentes.
- **NO UTILICE LA MÁQUINA EN LUGARES PELIGROSOS.** El uso de herramientas eléctricas en lugares húmedos o mojados o bajo la lluvia puede provocar descargas eléctricas o electrocución. Mantenga su área de trabajo bien iluminada para evitar tropezones o poner en peligro brazos, manos y dedos.
- **MANTENGA A LOS NIÑOS ALEJADOS.** Los visitantes deben mantenerse a una distancia segura del área de trabajo. Su taller es un lugar potencialmente peligroso.
- **PROCURE QUE SU TALLER SEA A PRUEBA DE NIÑOS;** coloque candados e interruptores maestros, o retire las llaves que accionan las herramientas. Si un niño o un visitante enciende una máquina sin autorización, podría producirle lesiones.
- **NO FUERCE LA HERRAMIENTA.** Funcionará mejor y será más segura si la utiliza a la velocidad para la que fue diseñada.
- **UTILICE LA HERRAMIENTA ADECUADA.** No fuerce la herramienta o los accesorios para realizar tareas para las que no fueron diseñados. Usar la herramienta o el accesorio incorrecto puede causar lesiones personales.
- **UTILICE INDUMENTARIA ADECUADA.** No utilice ropa holgada, guantes, corbatas, anillos, pulseras u otras alhajas que puedan quedar atrapadas entre las piezas móviles. Se recomienda el uso de calzado antideslizante. Recójase y cubra el cabello largo. Los orificios de ventilación pueden cubrir piezas en movimiento, por lo que también se deben evitar.
- **SIEMPRE USE LENTES DE SEGURIDAD.** Los anteojos de uso diario NO son lentes de seguridad. Utilice también máscaras faciales o para polvo si los cortes producen polvillo. **UTILICE SIEMPRE EQUIPOS DE SEGURIDAD CERTIFICADOS:**
 - Protección para los ojos según la norma ANSI Z87.1 (CAN/CSA Z94.3)
 - Protección auditiva según la norma ANSI S12.6 (S3.19)
 - Protección respiratoria según las normas NIOSH/OSHA/MSHA
- **ASEGURE LA PIEZA DE TRABAJO.** Utilice abrazaderas o un tornillo de banco para sujetar la pieza de trabajo a la mesa y contra la guía, o si su mano corre peligro al estar cerca de la hoja (a menos de 152 mm [6"]). Es más seguro que utilizar su mano y puede entonces utilizar ambas manos para operar la herramienta.
- **NO SE ESTIRE.** Conserve el equilibrio y párese adecuadamente en todo momento. La pérdida del equilibrio podría provocar una lesión personal.
- **CONSERVE LAS HERRAMIENTAS ADECUADAMENTE.** Mantenga las herramientas afiladas y limpias para obtener el mejor y más seguro rendimiento. Siga las instrucciones para lubricar y cambiar los accesorios. Las herramientas y las máquinas que carecen de un mantenimiento adecuado pueden dañar aún más la herramienta o máquina o causar lesiones.
- **APAGUE LA MÁQUINA Y DESCONÉCTELA DE LA FUENTE DE ALIMENTACIÓN** antes de instalar o quitar los accesorios, antes de ajustar o cambiar las configuraciones, cuando haga reparaciones o cambie la máquina de lugar. Un arranque accidental podría causar lesiones. No toque las patas de metal del enchufe al enchufar o desenchufar el cable.
- **REDUZCA EL RIESGO DE ENCENDIDO ACCIDENTAL.** Asegúrese de que el interruptor esté en la posición "OFF" (de apagado) antes de enchufar el cable de alimentación.
- **UTILICE EL CABLE PROLONGADOR APROPIADO.** Asegúrese de que el cable prolongador esté en buenas condiciones. Si su herramienta está equipada con un juego de cables, utilice solamente cables prolongadores de 3 conductores que tengan enchufes a tierra de 3 patas y tomacorrientes tripolares que se adapten al enchufe de la herramienta. Cuando utilice un cable prolongador, cerciórese de que tenga la capacidad para conducir la corriente que su producto exige. Un cable de menor capacidad provocará una disminución en el voltaje de la línea, lo cual producirá una pérdida de potencia y sobrecalentamiento.

La siguiente tabla muestra la medida correcta que debe utilizar según la longitud del cable y la capacidad nominal en amperios indicada en la placa. En caso de duda, utilice el calibre inmediatamente superior. Cuanto menor es el número de calibre, más grueso es el cable.

Calibre mínimo para juegos de cables						
Capacidad nominal en amperios		Voltios	Largo total del cable en metros (en pies)			
		120V	7,6 (25)	15,2 (50)	30,5 (100)	45,7 (150)
		240V	15,2 (50)	30,5 (100)	61,0 (200)	91,4 (300)
Desde	Hasta	AWG				
0	6		18	16	16	14
6	10		18	16	14	12
10	12		16	16	14	12
12	16		14	12	No recomendado	

- **VERIFIQUE QUE NO HAYA PIEZAS DAÑADAS.** Antes de volver a utilizar la herramienta, se deben controlar cuidadosamente las guardas o cualquier otra pieza dañada para asegurar el funcionamiento y el rendimiento apropiados de la herramienta en la aplicación deseada. Verifique la unidad para comprobar la alineación de las piezas móviles, si hay piezas dañadas, bloqueos o cualquier otra situación que pueda afectar el funcionamiento de la herramienta. Las guardas u otras piezas dañadas deben ser correctamente reparados o reemplazados. No utilice la herramienta si no puede encenderla o apagarla con el interruptor.
- **UTILICE ACCESORIOS RECOMENDADOS.** Utilice sólo accesorios recomendados por el fabricante para el modelo que posee. Los accesorios que pueden ser aptos para una herramienta, pueden convertirse en un factor de riesgo cuando se utilizan en otra herramienta. Consulte el manual de instrucciones para obtener información acerca de los accesorios recomendados. La utilización de accesorios inadecuados puede ocasionar lesiones personales.
- **NUNCA SE PARE SOBRE LA HERRAMIENTA.** Si la herramienta se cae o alguien toca accidentalmente el elemento cortante, podrían producirse lesiones graves.
- **NUNCA DEJE LA HERRAMIENTA EN FUNCIONAMIENTO Y SIN ATENCIÓN. DESCONECTE LA ENERGÍA.** No suelte la herramienta hasta que no se haya detenido por completo. Puede causar lesiones graves.
- **NO OPERE HERRAMIENTAS ELÉCTRICAS CERCA DE LÍQUIDOS INFLAMABLES O EN ATMÓSFERAS GASEOSAS O EXPLOSIVAS.** Los motores de estas herramientas originan chispas que pueden encender los vapores.
- **MANTÉNGASE ALERTA, PONGA ATENCIÓN EN LO QUE ESTÁ HACIENDO Y USE EL SENTIDO COMÚN. NO UTILICE LA MÁQUINA SI ESTÁ CANSADO O BAJO EL EFECTO DE DROGAS O ALCOHOL.** Un momento de descuido al operar una herramienta eléctrica puede provocar lesiones.

Normas de seguridad adicionales para las sierras ingletadoras

⚠ **ADVERTENCIA:** No ignore las reglas de seguridad por estar familiarizado con la herramienta (debido al uso frecuente de su sierra). Recuerde siempre que un descuido de una fracción de segundo es suficiente para causar lesiones graves.

- **NO OPERE ESTA MÁQUINA** hasta que no esté armada e instalada completamente, según las instrucciones. Una máquina montada de manera incorrecta puede provocar lesiones graves.
- **SOLICITE EL ASESORAMIENTO** de su supervisor, su instructor o alguna persona calificada si no está familiarizado con el funcionamiento de esta máquina. El conocimiento garantiza la seguridad.
- **ESTABILIDAD.** Cerciórese de que la sierra para cortar ingletes esté sujeta a una superficie de apoyo y que no se deslice o mueva durante el uso. Si se instala el juego de movilidad, levante la(s) rueda(s) móvil(es) para que la sierra esté en su posición fija.

- **RESPETE TODOS LOS CÓDIGOS DE CABLEADO** y las conexiones eléctricas recomendadas para prevenir los riesgos de descargas eléctricas o electrocución. Proteja la línea de suministro eléctrico con al menos un disyuntor de 15 amperios o un fusible de acción retardada de 15 amperios.
- **ASEGÚRESE DE QUE LA** hoja gire en la dirección correcta. Los dientes de la hoja deben apuntar en la dirección de giro como lo indica la sierra.
- **AJUSTE TODOS LOS MANGOS DE FIJACIÓN,** perillas y palancas antes de operar la herramienta. Si hay abrazaderas flojas, las piezas o la pieza de trabajo pueden salir disparadas a alta velocidad.
- **ASEGÚRESE DE QUE** todas las hojas y abrazaderas de las hojas estén limpias, que los lados embutidos de las abrazaderas de las hojas estén contra la hoja y que el tornillo del mandril esté bien ajustado. Si la hoja está floja o no está bien ajustada, puede dañar la sierra y provocar lesiones personales.
- **SIEMPRE UTILICE UNA HOJA AFILADA.** Verifique que la hoja se mueva correctamente y sin vibrar. Una hoja sin filo o con vibración puede dañar la máquina o provocar lesiones graves.
- **NO OPERE CON NINGÚN VOLTAJE DIFERENTE DE AQUEL PARA EL QUE FUE DISEÑADA** la sierra. Se pueden producir sobrecalentamiento, daños a la herramienta y lesiones personales.
- **NO TRABE EL VENTILADOR CON OBJETOS** para detener el eje del motor. La herramienta puede resultar dañada y se pueden producir posibles lesiones personales.
- **NO fuerce la acción de corte.** La parada total o parcial del motor puede provocar daños a la máquina o la hoja, además de lesiones graves.
- **HAGA FUNCIONAR EL MOTOR A TODA VELOCIDAD** antes de comenzar a cortar. Si comienza a cortar demasiado pronto, puede dañar la máquina o la hoja, además de provocar lesiones graves.
- **NUNCA CORTE METALES FERROSOS** (que contengan hierro o acero) o mampostería. Estos materiales pueden hacer saltar las puntas de carburo de la hoja a gran velocidad y causar lesiones graves.
- **NO UTILICE DISCOS ABRASIVOS.** El calor en exceso y las partículas abrasivas que estos discos generan pueden dañar la sierra y producir lesiones personales.
- **NUNCA** se ubique de modo que alguna parte del cuerpo quede en la misma línea que el trayecto de la hoja de la sierra. Se producirán lesiones graves.
- **NUNCA** aplique lubricante a una hoja en funcionamiento. Al aplicar el lubricante, la mano podría entrar en contacto con la hoja y se pueden producir lesiones graves.
- **NO** coloque las manos en el área de la hoja mientras la sierra esté conectada a la fuente de alimentación. El accionamiento involuntario de la hoja puede provocar lesiones graves.
- **NO REALICE operaciones sin utilizar las manos** (cuando la pieza de trabajo no esté firmemente sujeta contra la guía y la mesa). Sostenga el trabajo firmemente contra la guía y la mesa. Las operaciones a pulso en una sierra ingletadora podrían hacer que la pieza de trabajo salga despedida a gran velocidad y provocar lesiones graves.
- **NUNCA SE ESTIRE ALREDEDOR** o por detrás de la hoja de la sierra. Una hoja puede provocar lesiones graves.
- **NO** intente alcanzar objetos debajo de la sierra, a menos que esté apagada y desenchufada. Si entra en contacto con la hoja puede sufrir lesiones personales.
- **FIJE LA MÁQUINA EN UNA SUPERFICIE DE APOYO ESTABLE.** La máquina podría deslizarse, moverse del lugar o volcarse debido a la vibración y causar lesiones graves.
- **UTILICE ÚNICAMENTE HOJAS PARA SIERRA DE CORTE TRANSVERSAL** que se recomiendan para el uso con sierra para cortar ingletes. Para conseguir los mejores resultados, no use hojas con punta de carburo con el ángulo de gancho superior a 7 grados. No utilice hojas con pasos profundos. Podrían entrar en contacto con la guarda y desviarla y de este modo dañar la máquina o provocar lesiones graves.

- **USE ÚNICAMENTE LAS HOJAS DEL TAMAÑO Y TIPO CORRECTOS** especificados para esta herramienta, a fin de prevenir daños a la máquina o lesiones graves.
 - **REVISE QUE NO HAYA FISURAS EN LA HOJA** o cualquier otro daño antes de comenzar a trabajar. Es posible que una hoja con fisuras o dañada se parta; los pedazos pueden salir despedidos a alta velocidad y provocar lesiones graves. Reemplace las hojas con fisuras o dañadas inmediatamente.
 - **LIMPIE LA HOJA Y LAS ABRAZADERAS DE DICHA HOJA** antes de comenzar a trabajar. La limpieza de la hoja y las abrazaderas de la hoja le permite verificar si la hoja o las abrazaderas se encuentran dañadas. Es posible que una hoja o abrazadera dañadas o con fisuras se partan y que los pedazos salgan despedidos a alta velocidad y provoquen lesiones graves.
 - **NO** utilice lubricantes o limpiadores (especialmente pulverizadores o aerosoles) cerca de la guarda de plástico. El policarbonato utilizado para el protector puede ser corroído por ciertos productos químicos.
 - **SIEMPRE UTILICE LA PLACA DE CORTE Y REEMPLÁCELA CUANDO ESTÉ DAÑADA.** La acumulación de astillas pequeñas debajo de la sierra puede interferir con la hoja de la sierra o provocar inestabilidad en la pieza de trabajo al realizar el corte.
 - **UTILICE ÚNICAMENTE LAS ABRAZADERAS DE HOJA** especificadas para esta herramienta, a fin de prevenir daños a la máquina o lesiones graves.
 - **LIMPIE LAS RANURAS DE AIRE DEL MOTOR**, quite las astillas y el aserrín. Cuando las ranuras de aire del motor están tapadas, la máquina puede recalentarse y, por consiguiente, dañarse y generar un cortocircuito que podría provocar lesiones graves.
 - **MANTENGA LOS BRAZOS, LAS MANOS Y LOS DEDOS** lejos de la hoja para evitar cortes graves. Fije todas las piezas de trabajo que harían que la mano esté a 152 mm (6") de la hoja de la sierra.
 - **NUNCA BLOQUEE EL INTERRUPTOR** en la posición "ON" (de encendido). Puede causar lesiones personales graves.
 - **APAGUE LA MÁQUINA** y deje que la hoja se detenga completamente antes de levantar el brazo y antes de limpiar el área de la hoja, eliminar los desechos en el trayecto de la hoja, antes de realizar reparaciones o ajustes en la herramienta. Una hoja en movimiento puede provocar lesiones graves.
 - **APOYE ADECUADAMENTE PIEZAS DE TRABAJO LARGAS O ANCHAS.** La pérdida del control de la pieza de trabajo puede causar lesiones.
 - **NUNCA** cruce los brazos frente a la hoja mientras la herramienta está en funcionamiento. Siempre ensaye con la máquina apagada antes de realizar un corte de acabado para que pueda inspeccionar el trayecto de la hoja o, de otro modo, puede sufrir lesiones personales graves.
 - **Encontrará INFORMACIÓN ADICIONAL** disponible acerca de la operación correcta y segura de herramientas eléctricas (por ejemplo: un vídeo de seguridad) en el Instituto de Herramientas Eléctricas (Power Tool Institute), 1300 Sumner Avenue, Cleveland, OH 44115-2851 (www.powertoolinstitute.com). Además, encontrará información disponible en el Consejo Nacional de Seguridad (National Safety Council), 1121 Spring Lake Drive, Itasca, IL 60143-3201. Remítase a los Requisitos de Seguridad 01.1 para las máquinas de carpintería del Instituto Estadounidense de Normas Nacionales (American National Standards Institute - ANSI) y a las normas OSHA 1910.213 del Departamento de Trabajo de los Estados Unidos.
- ⚠ADVERTENCIA:** No conecte la unidad a la fuente de energía hasta no haber leído y comprendido todas las instrucciones.
- ⚠ADVERTENCIA:** Durante el uso, use siempre protección auditiva adecuada que cumpla con la norma ANSI S12.6 (S3.19). En ciertas circunstancias y según el período de uso, el ruido de este producto puede contribuir a la pérdida de audición.
- ⚠ADVERTENCIA:** NUNCA REALICE CORTES SIN QUE EL MATERIAL ESTÉ BIEN SUJETO A LA MESA Y CONTRA LA GUÍA.

⚠ADVERTENCIA: Algunas partículas originadas al lijar, aserrar, amolar, taladrar y realizar otras actividades de construcción contienen productos químicos que producen cáncer, defectos de nacimiento y otros problemas reproductivos. Algunos ejemplos de estos productos químicos son:

- el plomo de las pinturas de base plomo,
- la sílice cristalina de ladrillos, cemento y otros productos de mampostería, y
- el arsénico y el cromo de la madera con tratamiento químico (CCA).

El riesgo derivado de estas exposiciones varía, según la frecuencia con la que se realice este tipo de trabajo. Para reducir la exposición a estos productos químicos: se recomienda trabajar en áreas bien ventiladas y usar equipos de seguridad aprobados, como las máscaras para polvo especialmente diseñadas para filtrar las partículas microscópicas.

• **Evite el contacto prolongado con las partículas de polvo originadas al lijar, aserrar, esmerilar, taladrar y realizar demás actividades de la construcción. Use indumentaria protectora y lave las áreas expuestas con agua y jabón.** Evite que el polvo entre en la boca y en los ojos o se deposite en la piel, para impedir la absorción de productos químicos nocivos.

⚠ADVERTENCIA: El uso de esta herramienta puede generar o dispersar partículas de polvo, que pueden causar lesiones respiratorias permanentes y graves u otras lesiones. Use siempre protección respiratoria aprobada por NIOSH/OSHA (Instituto Nacional de Salud y Seguridad Ocupacional de EE.UU./Administración de la Salud y Seguridad Ocupacional de EE.UU.) apropiada para la exposición al polvo. Aleje las partículas de la cara y el cuerpo.

Para su comodidad y seguridad, la herramienta incluye las siguientes etiquetas de advertencia.

EN LA CAJA DEL MOTOR:

⚠ADVERTENCIA: POR SU PROPIA SEGURIDAD, LEA EL MANUAL DE INSTRUCCIONES ANTES DE OPERAR LA SIERRA.

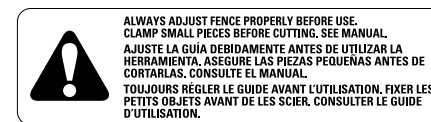
AL REPARAR, SÓLO UTILICE PIEZAS DE REPUESTO IDÉNTICAS.

SIEMPRE UTILICE PROTECCIÓN PARA LOS OJOS.

NO EXPONGA A LA LLUVIA NI UTILICE EN LUGARES HÚMEDOS.

EN LAS GUÍAS MÓVILES:

SIEMPRE REGULE CORRECTAMENTE LA GUÍA ANTES DE UTILIZAR LA HERRAMIENTA. AJUSTE LAS PIEZAS PEQUEÑAS ANTES DE CORTAR. CONSULTE EL MANUAL.



EN EL PROTECTOR:

⚠PELIGRO: MANTÉNGASE ALEJADO DE LA HOJA.

EN EL PROTECTOR SUPERIOR:

SUJETE EL SOPORTE CORRECTAMENTE CON AMBOS TORNILLOS ANTES DE USAR.

EN LA MESA: (2 LUGARES)

⚠ADVERTENCIA: POR SU PROPIA SEGURIDAD, LEA EL MANUAL DE INSTRUCCIONES ANTES DE OPERAR LA SIERRA INGLETADORA.

MANTENGA LAS MANOS ALEJADAS DEL TRAYECTO DE LA HOJA DE LA SIERRA.



NO OPERE LA SIERRA SI LOS PROTECTORES NO ESTÁN ADECUADAMENTE INSTALADOS.

VERIFIQUE QUE EL PROTECTOR INFERIOR CIERRE CORRECTAMENTE ANTES DE CADA USO.

REALICE SIEMPRE LOS AJUSTES NECESARIOS ANTES DE UTILIZAR LA HERRAMIENTA. NO REALICE NINGUNA OPERACIÓN SIN UTILIZAR LAS MANOS.

NUNCA SE ESTIRE PARA ALCANZAR ALGO DETRÁS DE LA HOJA DE LA SIERRA. NUNCA CRUCE LOS BRAZOS FRENTE A LA HOJA. APAGUE LA HERRAMIENTA Y ESPERE A QUE LA HOJA SE DETENGA POR COMPLETO ANTES DE RETIRAR LA PIEZA DE TRABAJO, CAMBIAR LOS AJUSTES O MOVER LAS MANOS.

DESCONECTE LA HERRAMIENTA ANTES DE HACERLE EL MANTENIMIENTO O ANTES DE CAMBIAR LA HOJA.

A FIN DE REDUCIR EL RIESGO DE LESIONES, REGRESE LA SIERRA A LA POSICIÓN VERTICAL DESPUÉS DE CADA OPERACIÓN. ¡PRESTE ATENCIÓN! PUEDE EVITAR ACCIDENTES.

ON BASE: (2 LUGARES)



Conexión eléctrica

Asegúrese de que la fuente de energía concuerde con lo que se indica en la placa. 120 voltios, CA significa que la sierra sólo funciona con corriente alterna. Un descenso en el voltaje del 10 por ciento o más producirá una pérdida de potencia y sobrecalentamiento. Todas las herramientas DEWALT se prueban en fábrica. Si esta herramienta no funciona, revise el suministro de energía.

Desembalar la sierra

Controle el contenido de la caja de la sierra ingletadora para asegurarse de haber recibido todas las piezas. Además de este manual de instrucciones, la caja debe contener:

1. Una sierra ingletadora con hoja n. ° DW713.
2. Una llave para cambio de hoja en estuche, ilustrada en la Figura 2.
3. Una bolsa recolectora de polvo n. ° DW7053.

Familiarizarse con la herramienta

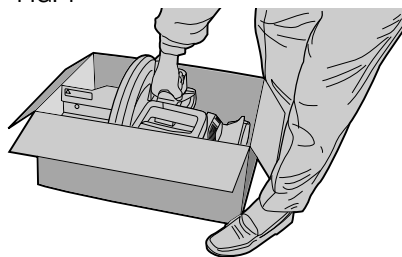
Su sierra ingletadora está totalmente ensamblada en la caja. Abra la caja y extraiga la sierra sujetándola del práctico mango de transporte, como se muestra en la Figura 1.

Coloque la sierra sobre una superficie lisa y plana, como un banco de trabajo o una mesa fuerte.

Observe las Figuras 2 y 3 para familiarizarse con la sierra y sus diversas piezas. En la sección de ajustes se describen estas piezas, y es preciso que sepa cuáles son y en qué lugar se encuentran.

⚠ATENCIÓN: Riesgo de pellizcos. Para reducir el riesgo de lesiones, mantenga el pulgar debajo del mango cuando tire de éste hacia abajo. El protector inferior se moverá hacia arriba al tirar del mango hacia abajo, lo que podría producir un pellizco. El mango ha sido colocado cerca de la guarda para los cortes especiales.

FIG. 1



Ejerza una presión leve en el mango de operación y tire hacia afuera de la clavija de seguridad, como se muestra en la Figura 4. Lentamente, deje de presionar y permita que el brazo se eleve a la altura máxima. Utilice la clavija de seguridad al transportar la sierra de un lugar a otro. Para trasladar la sierra, utilice siempre el mango de transporte o el asidero que se muestran en la Figura 3.

Especificaciones

CAPACIDAD DE CORTE

Inglete a 50° a la izquierda y derecha

Bisel a 48° a la izquierda: 3° a la derecha

Inglete de 0°

Altura máxima de 89 mm (3,5")

Ancho resultante de 89 mm (3,5")

Ancho máximo de 155 mm (6,1")

Altura resultante de 32 mm (1,25")

Inglete a 45°

Altura máxima de 89 mm (3,5")

Ancho resultante de 61 mm (2,4")

Ancho máximo de 106 mm (4,2")

Altura resultante de 32 mm (1,25")

Bisel a 45°

Altura máxima de 58 mm (2,3")

Ancho resultante de 89 mm (3,5")

Ancho máximo de 155 mm (6,1")

Altura resultante de 19 mm (0,75")

Inglete a 31,62° y bisel a 33,85

Ancho máximo de 133 mm (5,25")

Altura resultante de 23 mm (0,9")

POTENCIA

Motor de 120 voltios

2 200 vatios

Motor de 15 amp

5 000 RPM

Engranajes fresados helicoidales con rodamientos

Hoja con dientes de carburo

de rodillos y de bolas

Freno eléctrico automático

Accesorios opcionales

Los siguientes accesorios, diseñados para su sierra, pueden resultar útiles. En algunos casos, pueden resultar más apropiados otros soportes para piezas de trabajo, topes longitudinales, abrazaderas, etc. obtenidos localmente. Sea cuidadoso al seleccionar y utilizar los accesorios.

Soporte de extensión para piezas de trabajo: DW7080

Se utiliza para sostener piezas de trabajo largas que sobresalen; debe ser montado por el usuario. La mesa de la sierra está diseñada para aceptar dos soportes de piezas de trabajo, uno de cada lado.

Tope longitudinal regulable: DW7051

Requiere el uso de un soporte de pieza de trabajo (consultar figura). Se utiliza para realizar cortes repetitivos de la misma longitud, de 0 cm a 107 cm (0" a 42").

Abrazadera: DW7082

Se utiliza para sujetar firmemente la pieza de trabajo a la guía de la sierra y lograr así cortes de precisión.

Bolsa para polvo: DW7053 (Incluida en algunos modelos)

Equipada con cierre para permitir su práctico vaciado, la bolsa para polvo recoge la mayor parte del aserrín generado (no se muestra).

Guía para molduras de corona: DW7084

Se utiliza para el corte preciso de molduras de corona.

Sistema de dirección por láser: DW7187

Alimentada por la sierra, la línea brillante del láser ofrece una visibilidad mejorada en lugares bien y mal iluminados. Fácil de instalar.

Sistema de luz de trabajo LED: DWS7085

Iluminación usada para mayor visibilidad y alineación del corte durante la operación.
Fácil de instalar.

Placa de corte de repuesto para sierra ingletadora: DW7055

Esta placa de plástico sin corte duradera limita el desprendimiento de la hoja.

HOJAS DE SIERRA: SIEMPRE UTILICE HOJAS DE SIERRA DE 254 mm (10") CON ORIFICIOS PARA MANDRIL DE 16 mm (5/8"). LA VELOCIDAD DEBE SER DE AL MENOS 5500 RPM. Nunca use hojas de menor diámetro. No estarán adecuadamente protegidas. Sólo use hojas de corte transversal. No use hojas diseñadas para cortes longitudinales, hojas de combinación u hojas con ángulos de gancho superiores a 7°.

DESCRIPCIONES DE LAS HOJAS		
APLICACIÓN	DIÁMETRO	DIENTES
Hojas de sierra para la construcción (<i>ranura fina con borde antiadherente</i>)		
Propósito general	254 mm (10")	40
Excelentes cortes ransversales	254 mm (10")	60
Hojas de sierra para carpintería (<i>producen cortes limpios y parejos</i>)		
Excelentes cortes ransversales	254 mm (10")	80
Metales no ferrosos	254 mm (10")	80

NOTA: Para cortar metales no ferrosos, use sólo hojas de sierra con dientes TCG diseñados para este tipo de trabajo.

ACCESORIOS

⚠ ADVERTENCIA: Debido a que no se han probado con este producto otros accesorios que no sean los que ofrece DEWALT, el uso de dichos accesorios podría ser peligroso. Para reducir el riesgo de lesiones, con este producto deben usarse sólo los accesorios DEWALT recomendados.

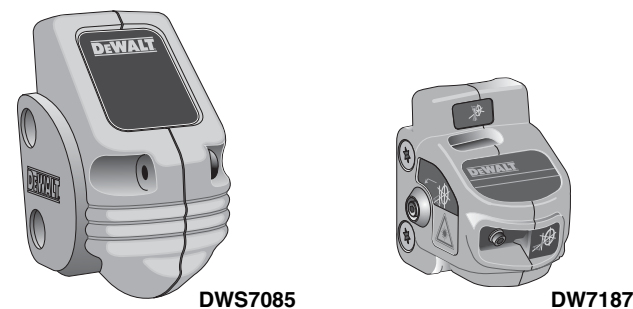
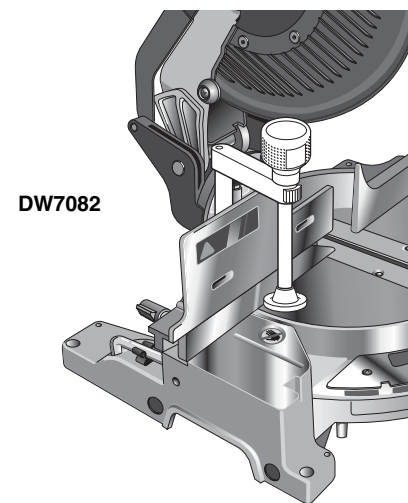
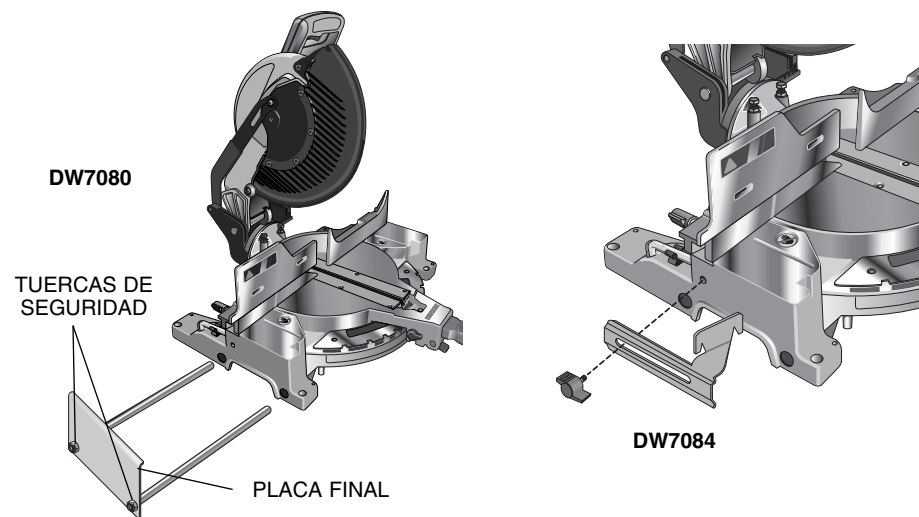
Los accesorios que se recomiendan para la herramienta están disponibles para la compra en su distribuidor local o en el centro de mantenimiento autorizado. Si necesita ayuda para localizar algún accesorio para su herramienta, comuníquese con DEWALT Industrial Tool Co., 701 East Joppa Road, Baltimore, MD 21286, llame al 1-800-4-DEWALT (1-800-433-9258) o visite nuestro sitio web en www.dewalt.com.

Montaje en el banco de trabajo

Las cuatro patas tienen orificios para facilitar el montaje en el banco, como se muestra en la Figura 2. (Los orificios son de dos tamaños diferentes para adaptarse a distintos tamaños de tornillos). Utilice cualquiera de los dos orificios, no es necesario utilizar ambos). Siempre monte la sierra firmemente para evitar movimientos. Para facilitar su transporte, se puede montar la herramienta a una pieza de madera contrachapada de 12,7 mm (1/2") de espesor o más, que puede a su vez fijarse al soporte de la pieza de trabajo o trasladarse a otros puestos de trabajo y volver a fijarse.

NOTA: Si elige montar la sierra a una pieza de madera contrachapada, asegúrese de que los tornillos de montaje no sobresalgan de la parte inferior de la madera. La madera contrachapada debe quedar bien estabilizada sobre el soporte de trabajo. Al sujetar la sierra a cualquier superficie de trabajo, utilice únicamente los refuerzos de sujeción donde se encuentran los orificios de los tornillos de montaje. Si la sujeta en cualquier otro lugar es probable que interfiera con el funcionamiento adecuado de la sierra.

⚠ ATENCIÓN: Para evitar bloqueos e imprecisiones, asegúrese de que la superficie de montaje no esté deformada ni desnivelada. Si la sierra oscila sobre la superficie de trabajo, coloque un trozo delgado de material bajo una de las patas de la sierra para afirmarla sobre la superficie de montaje.



INSTRUCCIONES DE SEGURIDAD IMPORTANTES

Cambio o instalación de una hoja de sierra nueva (Fig. 5, 6)

⚠ADVERTENCIA: Para reducir el riesgo de lesiones, apague la herramienta y desconéctela de la fuente de alimentación antes de intentar moverla, cambiar accesorios o hacer ajustes y hágalo como lo indican las instrucciones de ajuste del láser.

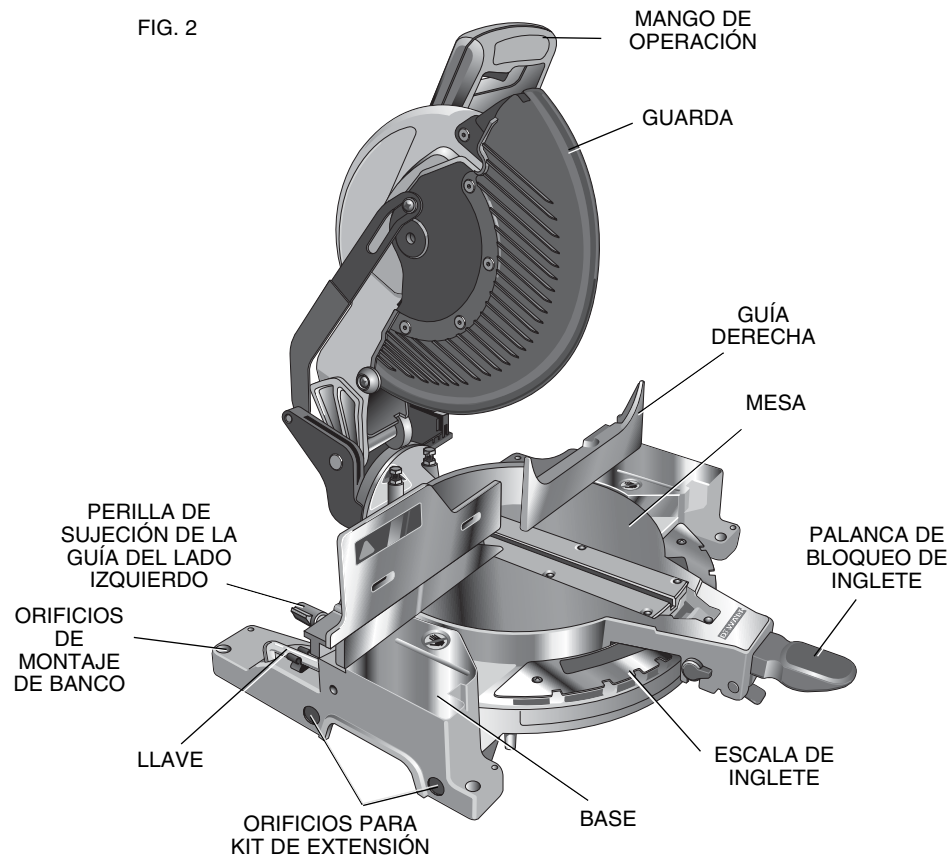
⚠ATENCIÓN:

- Nunca oprima el botón de bloqueo del eje mientras la hoja esté en funcionamiento o en marcha por inercia.
- No utilice esta sierra ingletadora para cortar metales ferrosos (que contengan hierro o acero) o mampostería o productos de cemento de fibra.

Extracción de la hoja

1. Desenchufe la sierra.
2. Levante el brazo hasta la posición superior y levante el protector inferior tanto como sea posible.
3. Afloje, pero no retire el tornillo del soporte del protector hasta que se pueda levantar suficientemente el soporte como para tener acceso al tornillo de la hoja. El protector inferior permanecerá elevado debido a la posición del tornillo del soporte del protector.

FIG. 2



4. Oprima el botón de bloqueo del eje (Fig. 3) mientras gira cuidadosamente la hoja de la sierra manualmente hasta que se traben.
5. Con el botón oprimido, utilice la otra mano y la llave proporcionada para aflojar el tornillo de la hoja. (Gire en sentido de las agujas del reloj, roscas de mano izquierda.)
6. Retire el tornillo de la hoja, abrazadera externa de la hoja y la hoja. La abrazadera interna de la hoja pueden dejarse en el eje.

Instalación de la hoja

1. Desenchufe la sierra.
2. Con el brazo levantado, el protector inferior abierto y el soporte del protector, coloque la hoja en el eje contra la abrazadera interna de la hoja, con los dientes de la parte inferior de la hoja apuntando hacia la parte trasera de la sierra.
3. Monte la abrazadera externa de la hoja sobre el eje.
4. Instale el tornillo de la hoja y, fijando el bloqueo del eje, ajuste el tornillo firmemente con la llave provista. (Gire en sentido contrario a las agujas del reloj, roscas de mano izquierda.)
5. Vuelva a colocar el soporte del protector en su posición original y ajuste firmemente el tornillo de éste para mantenerlo en su lugar.

FIG. 3

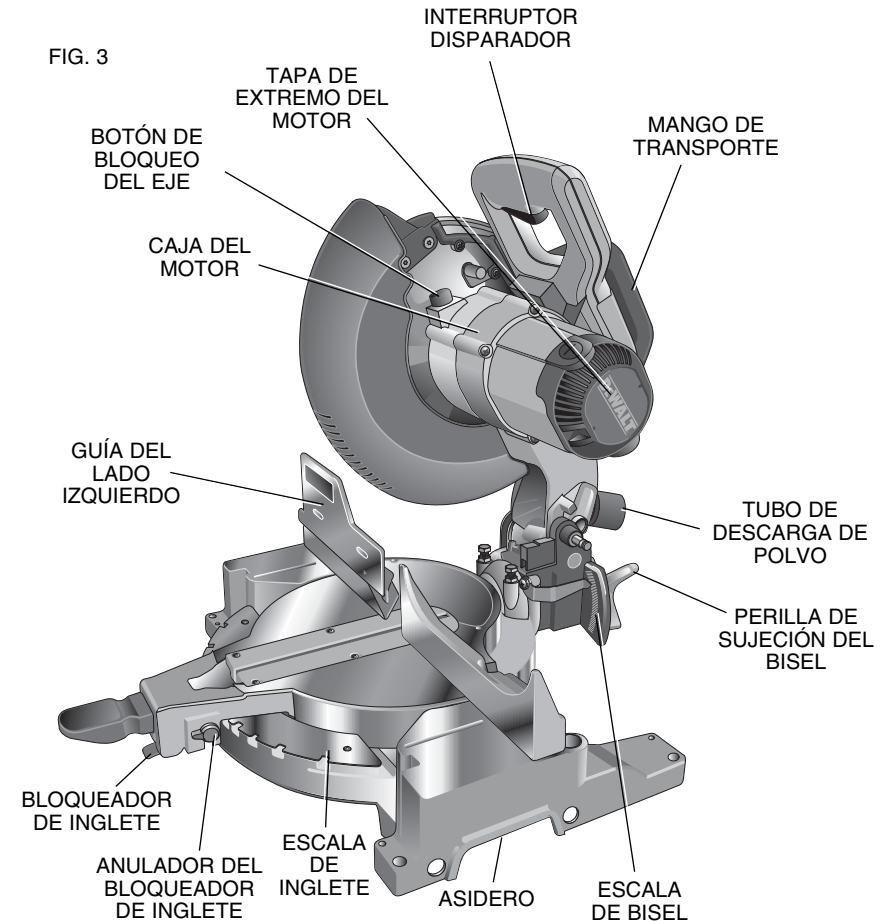
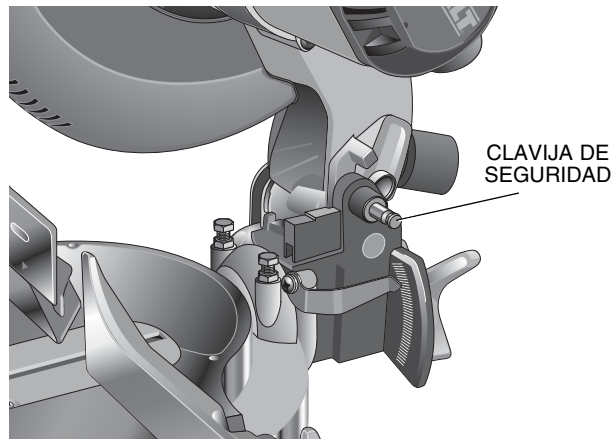


FIG. 4



CLAVIJA DE SEGURIDAD

FIG. 5

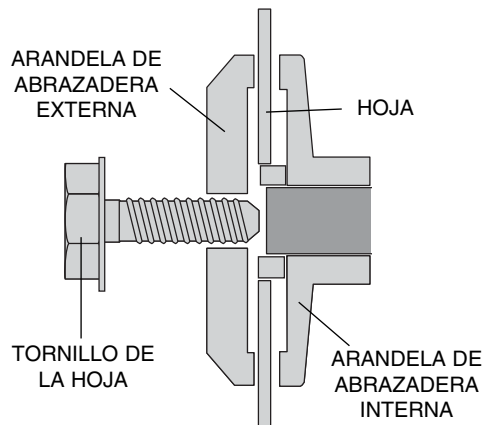


GUARD

TORNILLO DEL SOPORTE DE LA GUARDA

LLAVE INGLESA

FIG. 6



ARANDELA DE ABRAZADERA EXTERNA

HOJA

TORNILLO DE LA HOJA

ARANDELA DE ABRAZADERA INTERNA

⚠ ADVERTENCIA:

- **Antes de poner en funcionamiento la sierra, se debe colocar el soporte del protector en su posición original y ajustar el tornillo.**
- **Si no se cumple con esta indicación, el protector podría tocar la hoja de la sierra en rotación, lo cual ocasionaría daños a la sierra y lesiones personales graves.**

Transporte de la sierra

⚠ ADVERTENCIA: Para reducir el riesgo de lesiones, apague la herramienta y desconéctela de la fuente de alimentación antes de intentar moverla, cambiar accesorios o hacer ajustes y hágalo como lo indican las instrucciones de ajuste del láser.

⚠ ADVERTENCIA: Para reducir el riesgo de lesiones corporales graves. SIEMPRE bloquee el pomo de bloqueo de la ingleteadora, el pomo de bloqueo del bisel, el pasador de cierre y la perilla de ajuste del guía antes de transportar la sierra.

Para transportar la sierra ingleteadora fácilmente de un lugar a otro, se ha incorporado un mango de transporte en la parte superior del brazo de la sierra, como se muestra en la Figura 3. Para trasladar la sierra, siempre baje el brazo y oprima la clavija de seguridad como se muestra en la Figura 4.

AJUSTES

⚠ ADVERTENCIA: Para reducir el riesgo de lesiones, apague la herramienta y desconéctela de la fuente de alimentación antes de intentar moverla, cambiar accesorios o hacer ajustes y hágalo como lo indican las instrucciones de ajuste del láser.

NOTA: Su sierra ingleteadora recibe todos los ajustes necesarios y precisos durante el proceso de fabricación. Si se precisa realizar nuevos ajustes debido al envío y la manipulación, o por cualquier otro motivo, siga los siguientes pasos para ajustar su sierra.

Una vez realizados, estos ajustes no se volverán a desconfigurar. Tómese el tiempo necesario y siga estas instrucciones cuidadosamente para mantener el alto nivel de precisión de la sierra.

REGULACIÓN DE LA ESCALA DE INGLETE

Coloque una escuadra contra la guía y la hoja de la sierra, como se indica en la Figura 7. (No toque las puntas de los dientes de la hoja con la escuadra. Si lo hace, la medición obtenida será imprecisa). Desbloquee la palanca de bloqueo de inglete (consulte la Fig. 8) y gire el brazo de inglete hasta que el bloqueador de inglete lo trabe en la posición de inglete 0°. No trabe la palanca de bloqueo

de inglete. Si la hoja de la sierra no está exactamente perpendicular a la guía, afloje los tres tornillos que sujetan la escala de inglete a la base (que se muestra en la Fig. 8) y mueva la escala/el brazo de inglete a la izquierda o a la derecha hasta que la hoja esté perpendicular a la guía, según se midió con la escuadra. Vuelva a ajustar los tres tornillos. Por el momento, no preste atención a la medida que aparece en el indicador de inglete.

REGULACIÓN DEL INDICADOR DE INGLETE

Desbloquee la palanca de bloqueo de inglete y oprima el bloqueador de inglete para mover el brazo de inglete a la posición cero, como se muestra en la Figura 8. Desbloquee la palanca de bloqueo de inglete para permitir que el bloqueador de inglete quede en la posición correcta a medida que usted gira el brazo de inglete a la posición cero. Observe el indicador y la escala de inglete a través del orificio de visualización que se muestra en la Figura 9. Si el indicador no marca exactamente cero, afloje el tornillo del indicador, ajuste el indicador a 0° y vuelva a ajustar el tornillo.

BISEL A ESCUADRA CON LA MESA

Para alinear la hoja en escuadra con la mesa giratoria, bloquee el brazo en la posición hacia abajo. Coloque una escuadra contra la hoja y la mesa, cuidando que la escuadra no quede sobre los dientes de la hoja, como muestra la Figura 10B. Afloje la perilla de sujeción del bisel para que pueda mover el brazo de bisel. Mueva el brazo de bisel según sea necesario para que la hoja esté a 0° de la mesa. Si debe regular el brazo de bisel, afloje la tuerca de seguridad del lado derecho del tope de bisel como muestra la Figura 11 y ajuste el tornillo de tope según sea necesario. Mantenga el tope de bisel en su sitio y ajuste la tuerca de seguridad.

INDICADOR DE BISEL

Si el indicador de bisel no marca cero, afloje el tornillo que lo sujeta en su lugar y mueva el indicador según sea necesario.

SUGERENCIA: Para obtener más precisión, alinee el borde superior a la posición cero.

TOPE DE BISEL

Para colocar el tope de bisel a 45°, como se muestra en la Figura 12, primero afloje la perilla de sujeción de la guía del lado izquierdo y deslice la guía del lado izquierdo tanto como pueda hacia ese lado. Mueva el brazo hasta que se detenga en el tornillo de tope del bisel izquierdo. Si el indicador de bisel no marca exactamente 45°, afloje la tuerca de seguridad de bisel izquierdo y gire el tornillo hacia abajo. Mueva el brazo a la izquierda y ajuste la perilla de sujeción del bisel con firmeza cuando el indicador de bisel marque exactamente 45°. Ajuste el tornillo de tope de bisel del lado izquierdo hacia arriba hasta que toque con fuerza el tope de bisel. Vuelva a ajustar la tuerca mientras sujeta el tornillo para que no gire.

FIG. 7

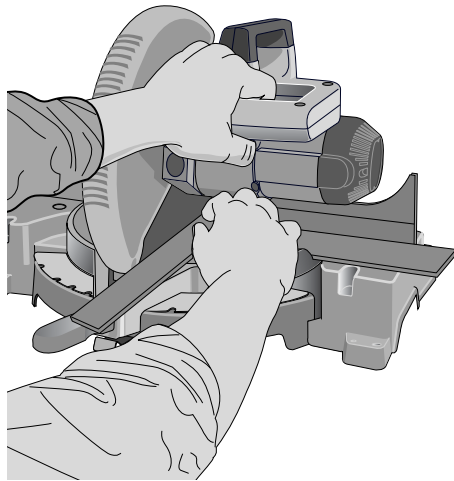


FIG. 8

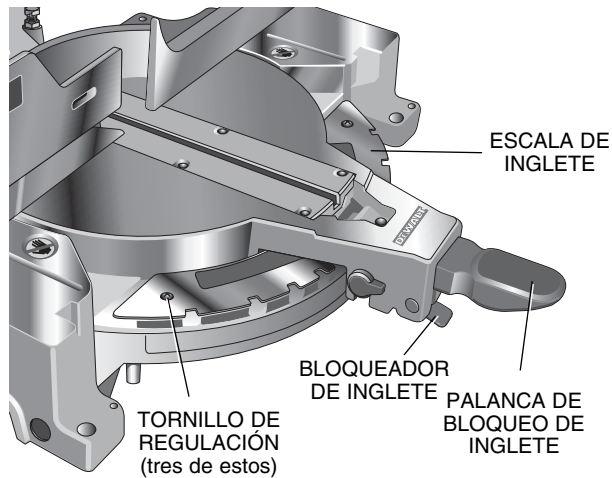
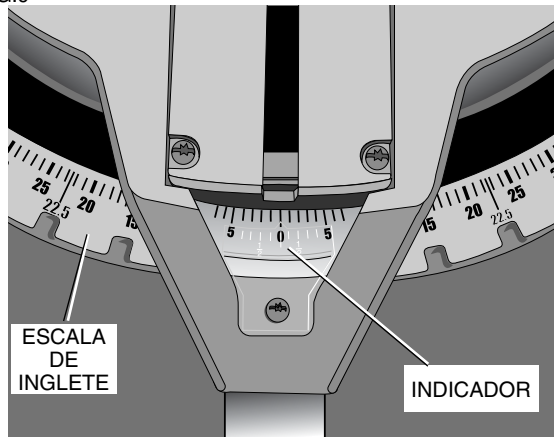


FIG. 9



Para lograr un bisel a 3° a la derecha o 48° a la izquierda, los tornillos de tope deben estar ajustados para que el brazo se mueva hacia la ubicación deseada. Los topes de bisel necesitarán un nuevo ajuste a la posición cero y 45° después de que se realicen los cortes.

REGULACIÓN DE LA GUÍA

⚠ADVERTENCIA: Para reducir el riesgo de lesiones, apague la herramienta y desconéctela de la fuente de alimentación antes de intentar moverla, cambiar accesorios o hacer ajustes y hágalo como lo indican las instrucciones de ajuste del láser.

Para obtener un ángulo de bisel de 48° a la izquierda, el lado izquierdo de la guía puede ser regulado a la izquierda para dejar espacio libre. Para ajustar la guía, afloje la perilla que se muestra en la Figura 13 y deslice la guía hacia la izquierda. Ensaye una vez con la sierra apagada y verifique que haya espacio suficiente. **Regule la guía para que quede lo más cerca posible de la hoja y proporcione un máximo soporte a la pieza de trabajo**, sin interferir con el movimiento de elevación y descenso del brazo. Ajuste la perilla firmemente. Cuando se hayan completado las operaciones de biselado, no olvide reubicar la guía hacia la derecha.

ACCIONAMIENTO Y VISIBILIDAD DEL PROTECTOR

⚠ATENCIÓN: Riesgo de pellizcos. Para reducir el riesgo de lesiones, mantenga el pulgar debajo del mango cuando tire de éste hacia abajo. El protector inferior se moverá hacia arriba al tirar del mango hacia abajo, lo que podría producir un pellizco.

El protector de la hoja de la sierra está diseñado para elevarse automáticamente cuando el brazo desciende, y para descender sobre la hoja cuando el brazo se eleva. Al instalar o retirar hojas de sierra, o al realizar inspecciones, usted puede elevar el protector en forma manual. **NUNCA ELEVE EL PROTECTOR DE LA HOJA MANUALMENTE A MENOS QUE LA SIERRA ESTÉ APAGADA.**

NOTA: Algunos cortes especiales requieren que el usuario eleve el protector en forma manual. Consulte la sección **corte de molduras de base de hasta 89 mm (3,5") de alto en forma vertical contra la guía** (página 49).

La sección frontal del protector tiene rejillas que proporcionan visibilidad durante el corte. Si bien las rejillas reducen considerablemente los residuos volátiles, no dejan de ser orificios en el protector, por lo que se deben usar anteojos de seguridad en todo momento al mirar por la rejilla.

FRENO ELÉCTRICO AUTOMÁTICO

La sierra viene equipada con un freno eléctrico automático que detiene la hoja de la sierra después de los cinco segundos de haber liberado el disparador. El freno no es ajustable.

En algunas ocasiones puede producirse un retraso en

FIG. 10A

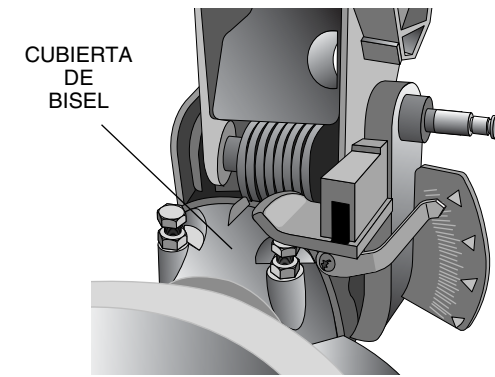


FIG. 10B

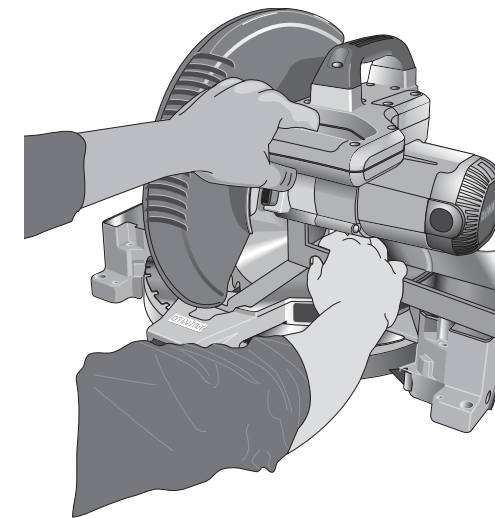


FIG. 11

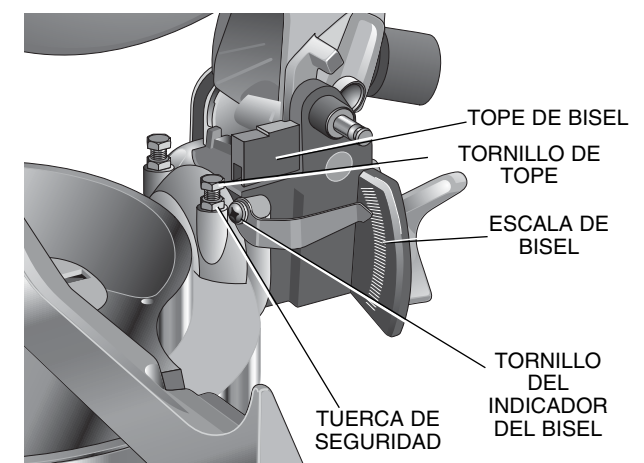


FIG. 12

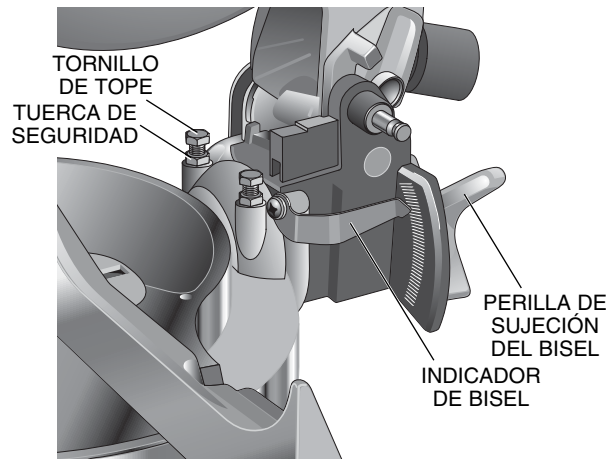


FIG. 13

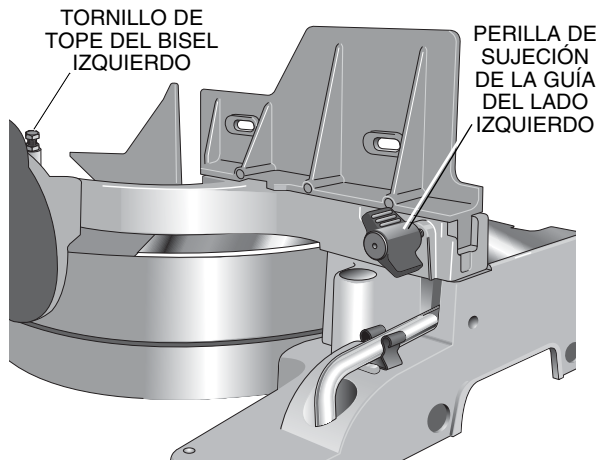


FIG. 14 ORIFICIO PARA EL CANDADO

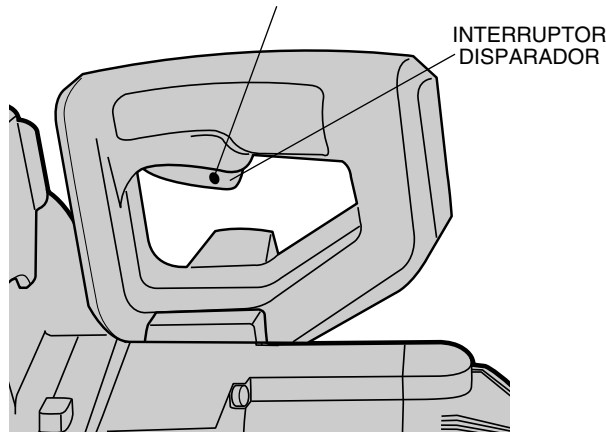
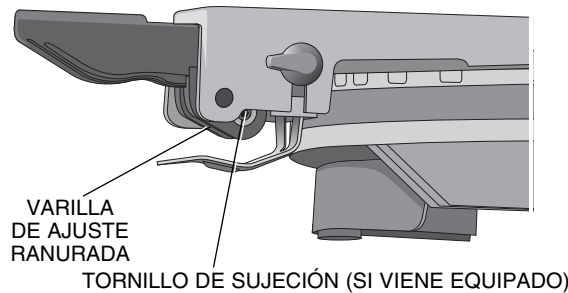


FIG. 15



la activación del freno luego de accionar el disparador. En muy pocas ocasiones puede ocurrir que el freno no se active en absoluto, en cuyo caso la hoja seguirá su marcha por inercia hasta detenerse.

Si se producen retrasos o "saltos", apague y encienda la sierra cuatro o cinco veces. Si el problema persiste, haga reparar la herramienta en un centro de mantenimiento DEWALT autorizado.

Asegúrese siempre de que la hoja se haya detenido antes de retirarla de la ranura. El freno no sustituye a los protectores, ni tampoco garantiza su seguridad si usted no presta atención al utilizar la sierra.

REGULACIÓN DEL BLOQUEO DE INGLETE (FIG. 15)

La barra de bloqueo de inglete debe ajustarse si la mesa de la sierra se mueve cuando el mango de bloqueo de inglete está hacia abajo. Para ajustarlo, coloque el mango de bloqueo de inglete en la posición hacia arriba. Utilice un destornillador de cabeza plana para ajustar la barra de bloqueo girándola 1/8 en el sentido de las agujas del reloj para incrementar la fuerza de bloqueo. Para garantizar que el bloqueo de inglete funcione correctamente, vuelva a bloquear el mango de bloqueo de inglete a un ángulo de inglete no bloqueado.

NOTA: Algunos modelos podrían tener un tornillo de sujeción como el que se muestra en la Figura 15. Si utiliza una llave hexagonal de 2,4 mm (3/32"), afloje el tornillo de sujeción en la clavija giratoria. Ajuste el tornillo de sujeción luego de completar el ajuste.

Cepillos

⚠ADVERTENCIA: Para reducir el riesgo de lesiones, apague la herramienta y desconéctela de la fuente de alimentación antes de intentar moverla, cambiar accesorios o hacer ajustes y hágalo como lo indican las instrucciones de ajuste del láser.

Inspeccione regularmente los cepillos de carbono. Para hacerlo, desenchufe la herramienta, quite la tapa de extremo del motor (Fig. 2), levante el resorte del cepillo y retire el montaje de cepillos. Mantenga los cepillos limpios de manera que puedan deslizarse cómodamente en sus guías. Al reemplazar un cepillo usado, observe la posición en la que se encuentra en el soporte, a fin de

colocar el nuevo cepillo en la misma posición. Los cepillos de carbono tienen diversos símbolos estampados en sus lados, y si el cepillo se ha gastado hasta aproximadamente 12,7 mm (1/2"), el resorte dejará de ejercer presión, por lo que habrá que reemplazarlo. Utilice solamente cepillos DEWALT idénticos. Es fundamental utilizar cepillos de la calidad adecuada para que el freno eléctrico funcione correctamente. En los centros de mantenimiento DEWALT podrá conseguir nuevos montajes de cepillos. Debe permitirse un funcionamiento "de prueba" (sin carga) durante 10 minutos antes de utilizarla, para que los cepillos nuevos se asienten. El freno eléctrico puede presentar fallas en su funcionamiento hasta que los cepillos estén adecuadamente asentados (gastados). Vuelva a colocar la tapa de inspección de cepillos luego de inspeccionar o reparar los cepillos.

Durante el funcionamiento "de prueba" NO ATE, ENCINTE O BLOQUEE EL INTERRUPTOR DISPARADOR. SOSTÉNGALO ÚNICAMENTE CON LA MANO.

FUNCIONAMIENTO

⚠ADVERTENCIA: Para reducir el riesgo de lesiones, apague la herramienta y desconéctela de la fuente de alimentación antes de intentar moverla, cambiar accesorios o hacer ajustes y hágalo como lo indican las instrucciones de ajuste del láser.

⚠ADVERTENCIA: Siempre utilice protección para los ojos. Todos los usuarios y espectadores deben utilizar protección para los ojos conforme a las normas ANSI Z87.1 (CAN/CSA Z94.3).

Enchufe la sierra en cualquier fuente de energía doméstica de 60 Hz. Consulte el voltaje en la placa de la herramienta. Asegúrese de que el cable no interfiera con su trabajo.

INTERRUPTOR

Para encender la sierra, oprima el interruptor disparador, como se muestra en la Figura 14. Para apagarla, suelte el interruptor. No hay ningún dispositivo para bloquear el interruptor en encendido, pero se dispone de un orificio en el disparador para insertar un candado y bloquear la sierra apagada.

CORTES CON LA SIERRA

NOTA: Si bien esta sierra corta madera y muchos materiales no ferrosos, limitaremos nuestro análisis solamente al corte de madera. Las mismas pautas se aplican a otros materiales. **NO CORTE MATERIALES FERROSOS (HIERRO Y ACERO) O MAMPOSTERÍA CON ESTA SIERRA.** No emplee hojas abrasivas.

CORTES TRANSVERSALES

No se recomienda cortar muchas piezas, aunque es posible hacerlo en forma segura siempre que cada pieza esté sostenida firmemente contra la mesa y la guía. Los cortes transversales se realizan cruzando la veta de la madera en cualquier ángulo. Los cortes transversales rectos se realizan con el brazo de inglete en la posición de cero grados. Fije el brazo de inglete en cero, sostenga

la madera firmemente sobre la mesa y contra la guía. Encienda la sierra accionando el interruptor disparador que se muestra en la Figura 14.

Una vez que la sierra haya alcanzado velocidad (al cabo de 1 segundo), baje el brazo en forma uniforme y lenta para cortar a través de la madera. **Espera a que la hoja se detenga por completo para levantar el brazo.**

▲ ATENCIÓN: Siempre utilice una abrazadera para sujetar la pieza de trabajo a fin de mantener el control y reducir el riesgo de daños en la pieza o lesiones personales.

Los cortes transversales de inglete se realizan con el brazo de inglete en cualquier otro ángulo que no sea cero. Este ángulo suele ser de 45° para formar esquinas, pero puede fijarse en cualquier posición, de cero a 50°, a la izquierda o derecha. Después de seleccionar el ángulo de inglete deseado, asegúrese de bloquear la palanca de bloqueo de inglete. Realice el corte según la descripción anterior.

Para cortar siguiendo una línea marcada con lápiz sobre la pieza de madera, haga coincidir el ángulo de la forma más precisa posible. Corte la madera con un largo un poco excesivo y mida la distancia desde la línea marcada con lápiz al borde del corte, para determinar en qué dirección se debe ajustar el ángulo del inglete; luego vuelva a realizar el corte. Este proceso requiere cierta práctica, pero es una técnica muy utilizada.

CORTES BISELADOS

Los cortes biselados son cortes transversales que se realizan con la hoja de la sierra en bisel con la madera. Para fijar el bisel, afloje la perilla de sujeción del bisel y mueva la sierra a la izquierda en la medida deseada. **(Es necesario moverla hacia el lado derecho de la guía para dejar espacio libre).** Una vez fijado el ángulo de bisel deseado, ajuste firmemente la perilla de sujeción del bisel.

Los ángulos de bisel se pueden fijar desde 3° a la derecha a 48° a la izquierda y se pueden cortar con el brazo del inglete fijo entre cero y 50° a la derecha o a la izquierda. Asegúrese de que la guía se haya regulado correctamente. Cuando realice cortes biselados hacia la izquierda o de inglete compuestos hacia la derecha, será necesario retirar la guía ajustable.

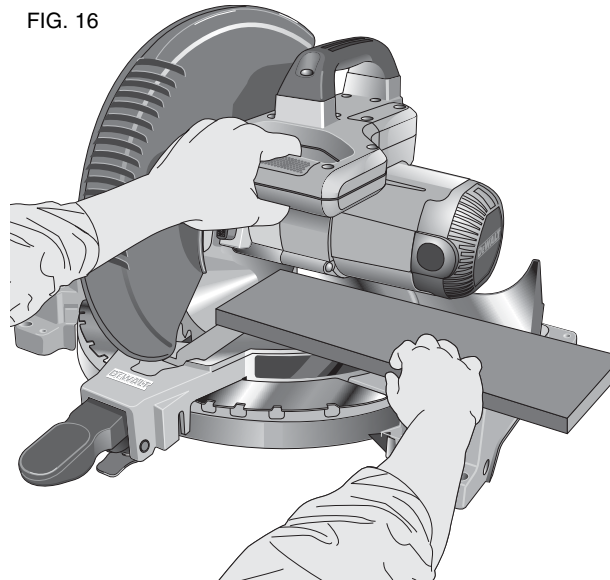
CALIDAD DEL CORTE

La uniformidad del corte depende de diferentes variables. El tipo de material para cortar, el tipo y filo de la hoja, y la velocidad de corte contribuyen a la calidad.

Cuando se necesitan cortes más uniformes para molduras u otros trabajos de precisión, se debe usar una hoja afilada (60 a 80 dientes de carburo) y una velocidad de corte más lenta para lograr los resultados deseados.

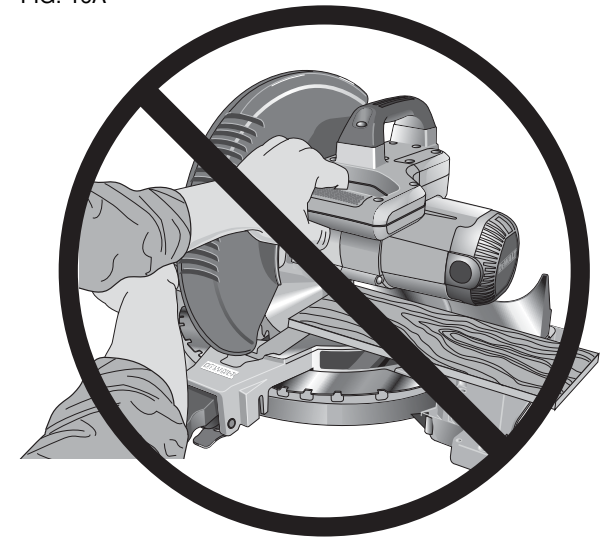
Asegúrese de que el material no se deslice mientras lo corta; sujételo con firmeza. Siempre espere a que la hoja se detenga por completo para levantar el brazo.

FIG. 16

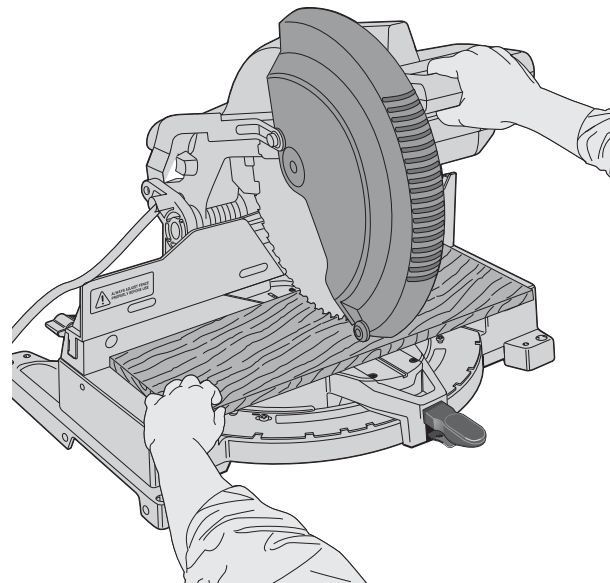


POSICIÓN CORRECTA DE LAS MANOS

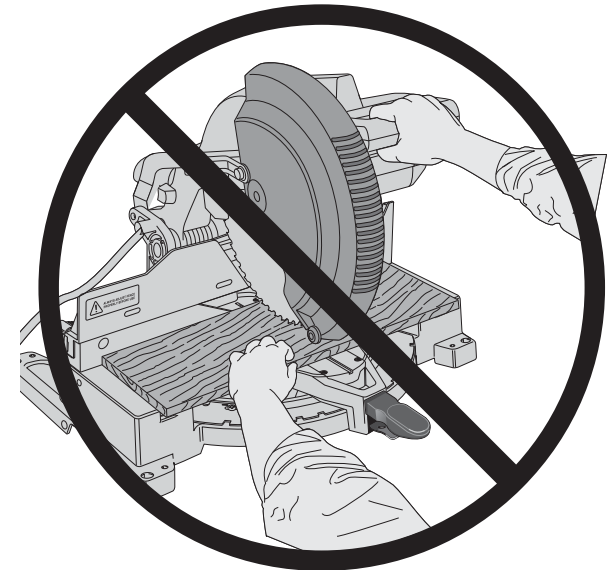
FIG. 16A



POSICIÓN INCORRECTA DE LAS MANOS



POSICIÓN CORRECTA DE LAS MANOS



POSICIÓN INCORRECTA DE LAS MANOS

Si aun así se desprenden pequeñas fibras de la parte trasera de la pieza de trabajo, coloque un trozo de cinta adhesiva en la madera donde se realizará el corte. Corte con la sierra a través de la cinta y retírela con cuidado cuando termine.

Para cortes diferentes, consulte la lista de hojas recomendadas para su sierra y elija la que más se adapte a sus necesidades. (Página 41)

POSICIÓN DEL CUERPO Y LAS MANOS (FIG. 16)

La correcta posición del cuerpo y las manos mientras opera la sierra ingletadora ayudará a lograr cortes más fáciles, precisos y seguros. Nunca coloque las manos cerca del área de corte. Coloque las manos a no menos de 152 mm (6") de la hoja. Sujete la pieza de trabajo fija a la mesa y a la guía mientras corta. Mantenga las manos en posición hasta que el disparador esté liberado y la hoja se haya detenido por completo. SIEMPRE ENSAYE (SIN CORRIENTE ELÉCTRICA) ANTES DE REALIZAR LOS CORTES A FIN DE PODER CONTROLAR EL TRAYECTO DE LA HOJA. NO CRUCE LAS MANOS, COMO SE MUESTRA EN LA FIGURA 16A.

Mantenga ambos pies firmes sobre el piso y mantenga el equilibrio adecuado. Mientras usted mueve el brazo de inglete de izquierda a derecha, acompáñelo y párese al costado de la hoja de la sierra. Observe a través de las rejillas protectoras al seguir una línea de lápiz.

SUJECIÓN DE LA PIEZA DE TRABAJO

⚠ADVERTENCIA: Para reducir el riesgo de lesiones, apague la herramienta y desconéctela de la fuente de alimentación antes de intentar moverla, cambiar accesorios o hacer ajustes y hágalo como lo indican las instrucciones de ajuste del láser.

⚠ADVERTENCIA: Una pieza de trabajo que está sujeta con la abrazadera, equilibrada y asegurada antes de realizar un corte puede desequilibrarse después de finalizar el corte. Una carga desequilibrada puede inclinar la sierra o cualquier objeto en el que esté instalada dicha sierra, como una mesa o un banco de trabajo. Al realizar un corte que puede desequilibrarse, sostenga adecuadamente la pieza de trabajo y asegúrese de que la sierra esté atornillada con firmeza a una superficie estable. Pueden ocasionar lesiones personales.

⚠ADVERTENCIA: El pie de la abrazadera debe permanecer sujeto con la abrazadera por encima de la base de la sierra siempre que se utilice la abrazadera. Siempre sujete la pieza de trabajo con la abrazadera a la base de la sierra (no a cualquier otra pieza del área de trabajo). Asegúrese de que el pie de la abrazadera no esté sujeto al borde de la base de la sierra.

⚠ATENCIÓN: Siempre utilice una abrazadera para sujetar la pieza de trabajo a fin de mantener el control y reducir el riesgo de daños en la pieza o lesiones personales.

FIG. 17

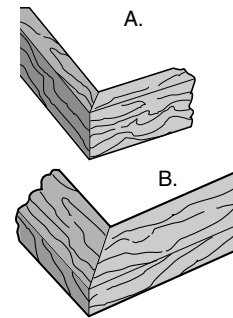


FIG. 18

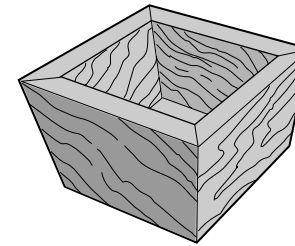


FIG. 19

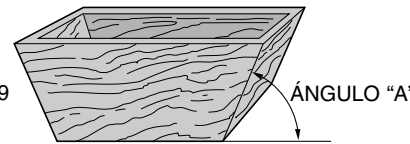


FIG. 20

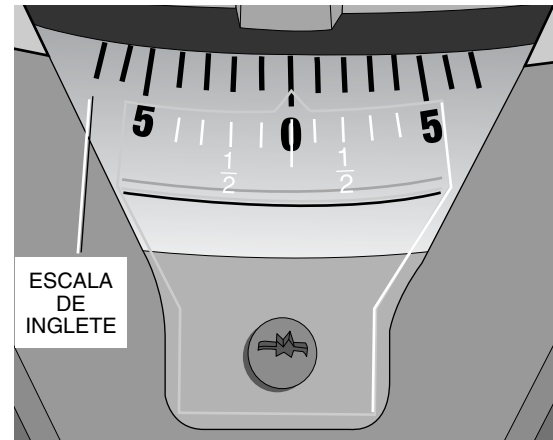
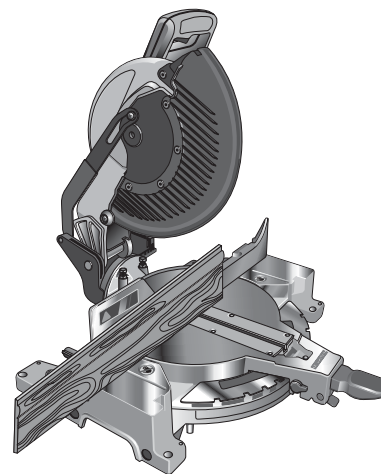


FIG. 21



Si no puede sujetar la pieza de trabajo con la mano sobre la mesa y contra la guía, (forma irregular, etc.), o si su mano quedara a menos de 152 mm (6") de la hoja, debe utilizar una abrazadera u otro tipo de sujeción.

Para obtener mejores resultados, utilice la abrazadera DW7082 fabricada para usar con esta sierra. La puede adquirir en un comercio local o en un centro de mantenimiento DEWALT a un costo adicional.

También pueden ser apropiados otros accesorios, como las abrazaderas de resorte, las abrazaderas de barra o las abrazaderas en C, según los diferentes tamaños y formas del material. Sea cuidadoso al elegir y colocar estas abrazaderas. Tómese el tiempo para ensayar el corte con la sierra apagada antes de realizarlo. La guía izquierda o derecha se deslizará de lado a lado para facilitar la sujeción.

PARA INSTALAR LA ABRAZADERA (SE VENDEN POR SEPARADO)

1. Introdúzcala en el orificio detrás de la guía. La abrazadera debe estar mirando hacia la parte posterior de la sierra ingletadora. La ranura en la barra de la abrazadera debe estar completamente dentro de la base. Asegúrese de que esta ranura esté completamente dentro de la base de la sierra ingletadora.

Si la ranura está visible, la abrazadera no estará segura.

2. Gire la abrazadera 180° hacia el frente de la sierra ingletadora.

3. Suelte la perilla para ajustar la abrazadera hacia arriba o abajo, luego, utilice la perilla fina ajustable para sostener con firmeza la pieza de trabajo con la abrazadera.

NOTA: Coloque la abrazadera en el lado opuesto de la base al realizar el biselado. SIEMPRE ENSAYE ANTES DE REALIZAR LOS CORTES (SIN CORRIENTE ELÉCTRICA) PARA COMPROBAR EL TRAYECTO DE LA HOJA. ASEGÚRESE DE QUE LA ABRAZADERA NO INTERFIERA CON LA ACCIÓN DE LA SIERRA O LOS PROTECTORES.

⚠ADVERTENCIA: Una pieza de trabajo que está sujeta con la abrazadera, equilibrada y asegurada antes de realizar un corte puede desequilibrarse después de terminarlo. Una carga desequilibrada puede inclinar la sierra o cualquier objeto en el que esté instalada la sierra, como un banco o una mesa de trabajo. Al realizar un corte que puede desequilibrarse, sostenga adecuadamente la pieza de trabajo y asegúrese de que la sierra esté atornillada con firmeza a una superficie estable.

⚠ADVERTENCIA: El pie de la abrazadera debe permanecer sujeto con la abrazadera por encima de la base de la sierra siempre que se utilice la abrazadera. Siempre sujete la pieza de trabajo con la abrazadera a la base de la sierra (no a cualquier otra pieza del área

de trabajo). Asegúrese de que el pie de la abrazadera no quede sujeto al borde de la base de la sierra

SOPORTE DE PIEZAS LARGAS

⚠️ ADVERTENCIA: Para reducir el riesgo de lesiones, apague la herramienta y desconéctela de la fuente de alimentación antes de intentar moverla, cambiar accesorios o hacer ajustes y hágalo como lo indican las instrucciones de ajuste del láser.

SIEMPRE UTILICE SOPORTES PARA LAS PIEZAS LARGAS.

Nunca haga que otra persona actúe como extensión del banco, como punto de apoyo adicional para una pieza de trabajo que es más larga o ancha que el banco básico de la sierra ingletadora o para que lo ayude a alimentar, brindar apoyo o empujar la pieza de trabajo.

Para obtener mejores resultados, utilice el soporte de extensión de DW7080 para ampliar el ancho de la mesa de la sierra. Puede conseguirlo en el comercio de su localidad a un costo adicional. Utilice algún soporte conveniente para apoyar las piezas de trabajo largas, como los caballetes de aserrar u otro dispositivo similar, a fin de evitar que se caigan los extremos de la pieza.

CORTE DE MARCOS PARA FOTOS, CAJAS PARA EXHIBIR OBJETOS Y OTROS ELEMENTOS DE CUATRO LADOS

Para comprender mejor cómo se fabrican los elementos aquí enumerados, le sugerimos que intente con algunos proyectos simples, usando madera de descarte, hasta que se acostumbre y “DOMINE” la sierra.

Su sierra es la herramienta perfecta para cortar esquinas a inglete, como la que se muestra en la Figura 17. El esquema A de la Figura 17 muestra un empalme hecho con la regulación de bisel para biselar los bordes de dos placas a 45° cada una y obtener una esquina a 90°. Para hacer este empalme, el brazo del inglete se bloqueó en la posición cero y la regulación de bisel se bloqueó a 45°. La madera se ubicó con el lado plano ancho contra la mesa y el borde angosto contra la guía. El corte también se podría haber hecho cortando a inglete de derecha a izquierda, con la superficie ancha contra la guía.

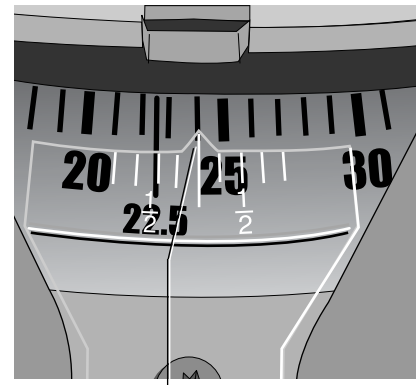
CORTE DE MOLDURAS DE TERMINACIÓN Y OTROS MARCOS

El esquema B de la Figura 17 muestra un empalme realizado con la regulación del brazo de inglete a 45° para cortar a inglete las dos placas a fin de formar una esquina a 90°. Para hacer este tipo de empalme, fije la regulación del bisel en cero y el brazo de inglete a 45°. Nuevamente, ubique la madera con el lado plano ancho sobre la mesa y el borde angosto contra la guía.

Los dos esquemas de la Figura 17 corresponden a objetos de cuatro lados.

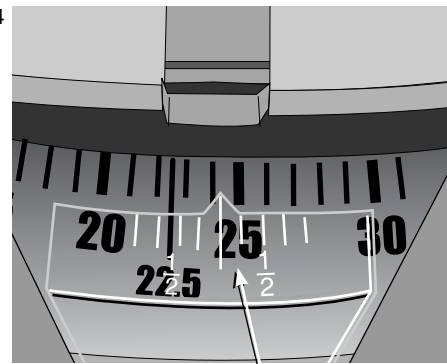
Si cambia la cantidad de lados, también cambian los ángulos de bisel e inglete. El siguiente cuadro presenta los ángulos adecuados para diferentes formas. En el

FIG. 23



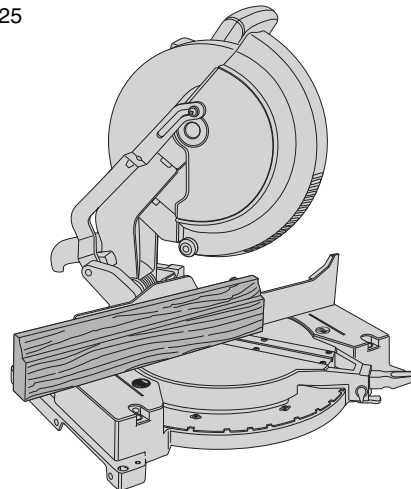
MARCA CENTRAL EN LA ESCALA VERNIER QUEDA ALINEADA CON EL ÁNGULO ENTERO DESEADO EN LA ESCALA DE INGLETE (INGLETE DE 24° A LA DERECHA)

FIG. 24



MARCA DE VERNIER A 1/4° QUEDA ALINEADA CON MARCA DE GRADO ENTERO MÁS CERCANA EN LA ESCALA DE INGLETE (INGLETE DE 24-1/4° A LA DERECHA)

FIG. 25



cuadro se presupone que todos los lados tienen la misma longitud. Para las formas que no figuran en el cuadro, utilice la siguiente fórmula: Divida 180° por el número de lados y obtendrá el ángulo de inglete o bisel.

- EJEMPLOS -	
CANTIDAD DE LADOS	ÁNGULO DE INGLETE O BISEL
4	45°
5	36°
6	30°
7	25,7°
8	22,5°
9	20°
10	18°

CORTE DE INGLETES COMPUESTOS

Los ingletes compuestos son cortes que se realizan utilizando un ángulo de inglete y un ángulo de bisel en forma simultánea. Este tipo de corte se utiliza para hacer marcos o cajas con lados inclinados, como el que se muestra en la Figura 18.

NOTA: Si el ángulo de corte varía de corte en corte, controle que la perilla de sujeción de bisel y la perilla de bloqueo de inglete estén bien ajustadas. Estas perillas deben ajustarse después de hacer cualquier cambio de bisel o inglete.

El cuadro de la página 55 le ayudará a elegir las regulaciones de bisel e inglete adecuadas para los cortes de ingletes compuestos. Para utilizar el cuadro, seleccione el ángulo deseado “A” (Figura 19) del proyecto y ubique ese ángulo en el arco apropiado del cuadro. Desde ese punto, siga el cuadro en línea recta hacia abajo hasta encontrar el ángulo de bisel correcto y en línea perpendicular, para encontrar el ángulo de inglete correcto.

Fije la sierra en los ángulos indicados y efectúe algunos cortes de prueba. Practique empalmado las piezas cortadas hasta que se familiarice con este procedimiento y se sienta cómodo.

Ejemplo: Para hacer una caja de cuatro lados con ángulos exteriores de 26° (Ángulo A, Figura 15), utilice el arco derecho superior. Busque 26° en la escala del arco. Siga la línea de intersección horizontal hacia cualquiera de los lados para obtener la regulación del ángulo de inglete en la sierra (42°). De la misma manera, siga la línea de intersección vertical hacia la parte superior o inferior para obtener la regulación de ángulo de bisel en la sierra (18°). Siempre pruebe los cortes sobre algunas piezas de madera de descarte para verificar las regulaciones de la sierra.

ESCALA DE INGLETE

La escala se utiliza para calcular los ángulos. Para calcular el ángulo de inglete correcto, divida 180° por el número de lados de la caja o marco. Consulte el cuadro de la página 48 para ver algunos ejemplos.

ESCALA VERNIER (FIG. 23, 24)

La sierra viene con una escala vernier para mayor precisión. La escala vernier le permite calcular con precisión los ángulos de inglete al $1/4^\circ$ más cercano (15 minutos). Para utilizar la escala vernier, siga los pasos descritos a continuación.

(Como ejemplo, supongamos que el ángulo que desea ingletar es de $24-1/4^\circ$ a la derecha).

1. Apague la sierra ingletadora.
2. Fije el ángulo de inglete al grado entero más cercano deseado, alinee la marca central en la escala vernier, como muestra la Figura 23, con el número de grado entero grabado en la escala de inglete. Observe bien la Figura 23, la configuración que se muestra es de 24° de inglete a la derecha.
3. Para fijar el $1/4^\circ$ adicional, oprima el bloqueo del brazo de inglete y mueva cuidadosamente el brazo a la DERECHA hasta que la marca de vernier de $1/4^\circ$ quede alineada con la marca de grados MÁS CERCANA en la escala de inglete. En el ejemplo que se ilustra, la marca de grados más cercana en la escala de inglete es 25° . La Figura 24 muestra una configuración de $24-1/4^\circ$ de inglete a la derecha.

Para las configuraciones que requieren grados parciales ($1/4$, $1/2$, $3/4^\circ$), alinee la marca de vernier deseada con la marca de grados más CERCANA en la escala de inglete, como se describe arriba. (La placa vernier de plástico está grabada con las marcas para $1/4$, $1/2$, $3/4$ y 1° . Sólo el $1/2^\circ$ se rotula numéricamente).

INGLETE A LA DERECHA

Si desea incrementar el ángulo de inglete al ingletar a la derecha, mueva el brazo para alinear la marca de vernier adecuada con la marca más cercana en la escala de inglete a la derecha. Para disminuir el ángulo de inglete al ingletar a la derecha, mueva el brazo para alinear la marca de vernier adecuada con la marca más cercana en la escala de inglete a la izquierda.

INGLETE A LA IZQUIERDA

Para aumentar el ángulo de inglete al ingletar a la izquierda, mueva el brazo para alinear la marca de vernier adecuada con la marca más cercana en la escala de inglete a la izquierda. Para disminuir el ángulo de inglete al ingletar a la izquierda, mueva el brazo para alinear la marca de vernier adecuada con la marca más cercana en la escala de inglete a la derecha.

CORTE DE MOLDURAS DE BASE

SIEMPRE ENSAYE CON LA SIERRA APAGADA ANTES DE REALIZAR CUALQUIER TIPO DE CORTE.

Cortes rectos de 90° :

Ubique la madera contra la guía y sosténgala en posición, como se muestra en la Figura 21. Encienda la sierra, permita que la hoja alcance la velocidad máxima y baje el brazo suavemente a través del corte.

FIG. 26

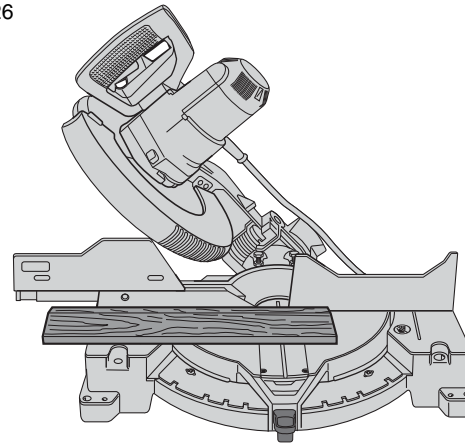


FIG. 27

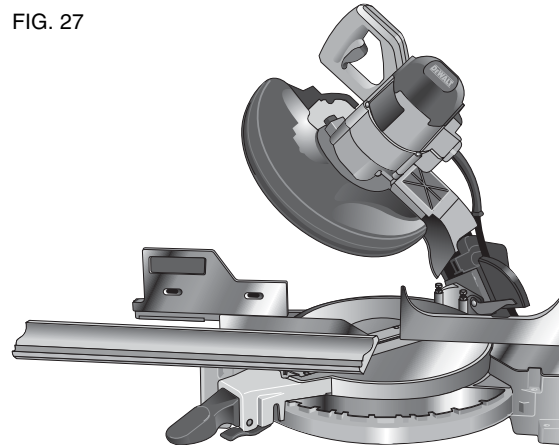
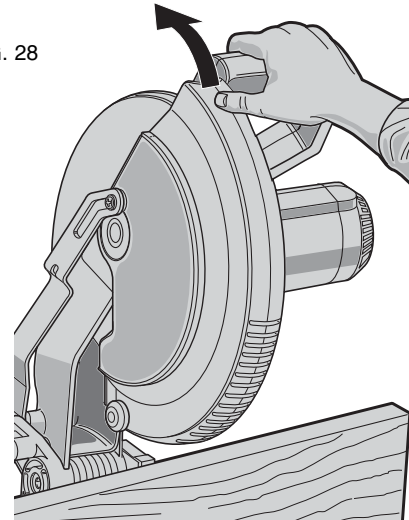


FIG. 28



CORTE DE MOLDURAS DE BASE DE HASTA 89 mm (3,5") DE ALTO EN FORMA VERTICAL CONTRA LA GUÍA

Coloque la moldura como se muestra en la Figura 25. Todos los cortes se realizan con la parte posterior de la moldura contra la guía y la parte inferior de la moldura contra la base.

ESQUINA INTERIOR:

Lado izquierdo

1. Inglete izquierdo a 45°
2. Conserve el lado izquierdo del corte

Lado derecho

1. Inglete derecho a 45°
2. Conserve el lado derecho del corte

ESQUINA EXTERNA:

Lado izquierdo

1. Inglete derecho a 45°
2. Conserve el lado izquierdo del corte

Lado derecho

1. Inglete izquierdo a 45°
2. Conserve el lado derecho del corte

Para cortar materiales de hasta 89 mm (3,5"), siga la descripción anterior. Para placas más anchas (hasta 108 mm [4,25"]), deben realizarse varias concesiones menores.

Al cortar una placa de entre 89 mm (3,5") y 108 mm (4,25") de ancho, los rodamientos en la punta del protector quedarán colgados en la pieza de trabajo. De ser así, simplemente coloque su pulgar derecho en la parte superior del protector y enróllelo hacia arriba lo suficiente para despejar la pieza de trabajo, como se muestra en la Figura 28. Una vez que haya despejado la pieza de trabajo, puede liberar el protector y éste continuará abriéndose a medida que corte.

Al ingletar hacia el lado derecho de una moldura de base de 89 mm (3,5") colocada verticalmente contra la guía como en la Figura 25, la sierra sólo puede cortar a través de la placa hasta 25,4 mm (1") desde el extremo de la placa. Si intenta cortar más de 25,4 mm (una pulgada), la caja de engranajes de la sierra interferirá con la pieza de trabajo. Si desea cortar una moldura de base de entre 89 mm (3-1/2") y 108 mm (4,25") de ancho verticalmente, siga las instrucciones a continuación.

CORTE DE 89 mm (3,5") A 108 mm (4,25") UNA MOLDURA DE BASE EN FORMA VERTICAL CONTRA LA GUÍA

- Coloque la moldura como se muestra en la Figura 25.
- Todos los cortes se realizan con la parte posterior de la moldura contra la guía

ESQUINA INTERIOR:

Lado izquierdo

1. Coloque la moldura de modo que la parte inferior quede contra la base de la sierra
2. Inglete izquierdo a 45°
3. Conserve el lado izquierdo del corte

Lado derecho

1. Coloque la moldura de modo que la parte superior se apoye sobre la base de la sierra
2. Inglete izquierdo a 45°
3. Conserve el lado izquierdo del corte

ESQUINA EXTERNA:

Lado izquierdo

1. Coloque la moldura de modo que la parte inferior quede contra la base de la sierra
2. Inglete derecho a 45°
3. Conserve el lado izquierdo del corte

NOTA: Si el corte se debe hacer en otro lugar que no sea a 25,4 mm (1") del extremo de la moldura: corte la moldura a aproximadamente 90° y 25,4 mm (1") más que la longitud final y luego realice el corte de inglete según la descripción anterior.

Lado derecho

1. Coloque la moldura de modo que la parte inferior quede contra la base de la sierra
2. Inglete izquierdo a 45°
3. Conserve el lado derecho del corte

Un tercer método para que el corte sea necesario es hacer un corte de inglete a cero grado y de bisel a 45°. Su sierra puede cortar un bisel de 157 mm (6,2") de ancho.

CORTES DE MOLDURAS DE BASE EN FORMA HORIZONTAL Y UTILIZANDO EL BISEL

- Todos los cortes realizados con la sierra con un bisel a 45° y un inglete a 0.
- Todos los cortes realizados con la parte posterior de la moldura en forma horizontal en la sierra como se muestra en la Figura 26.
- **Mueva el lado izquierdo de la guía del trayecto de la hoja antes de intentar cualquiera de los siguientes cortes.**

ESQUINA INTERIOR:

Lado izquierdo

1. Coloque la parte superior de la moldura contra la guía
2. Conserve el lado izquierdo del corte

Lado derecho

1. Coloque la parte inferior de la moldura contra la guía
2. Conserve el lado izquierdo del corte

ESQUINA EXTERNA:

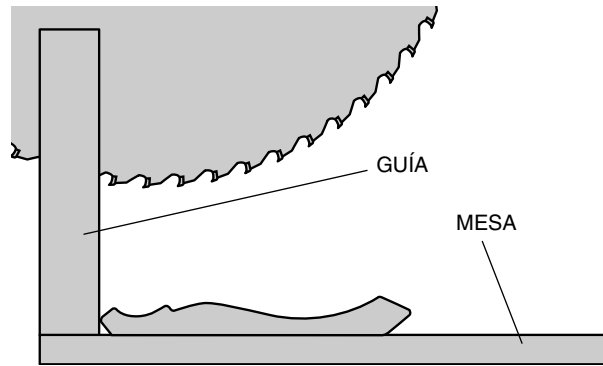
Lado izquierdo

1. Coloque la parte inferior de la moldura contra la guía
2. Conserve el lado derecho del corte

Lado derecho

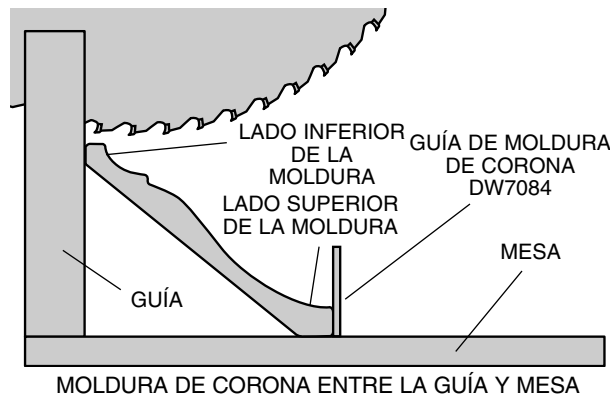
1. Coloque la parte superior de la moldura contra la guía
2. Conserve el lado derecho del corte

FIG. 29



CORTE DE MOLDURAS DE CORONA DE FORMA HORIZONTAL SOBRE LA MESA Y CONTRA LA GUÍA

FIG. 30



MOLDURA DE CORONA ENTRE LA GUÍA Y MESA

CORTE DE MOLDURAS DE CORONA

La sierra ingletadora es la herramienta más adecuada para las tareas de corte de molduras de corona. Para poder instalar adecuadamente las molduras de corona, los ingletes compuestos se deben regular con suma precisión.

Las dos superficies planas de una pieza de moldura de corona están en ángulos que, cuando se juntan, forman un ángulo de 90° exacto. La mayoría de las molduras de corona, aunque no todas, tienen un ángulo posterior superior (la sección que encaja horizontalmente contra el techo) a 52° y un ángulo posterior inferior (la parte que encaja plana contra la pared) a 38°.

Su sierra ingletadora posee puntos del bloqueador de inglete preestablecidos a 31,62° a la izquierda y derecha para realizar cortes de molduras de corona en el ángulo adecuado (Fig. 27). También hay una marca en la escala de bisel a 33,85°.

FIG. 31

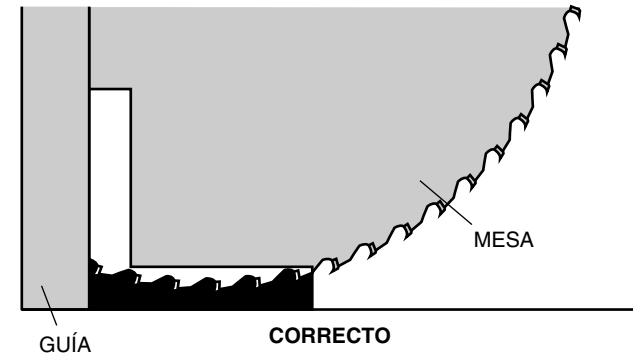
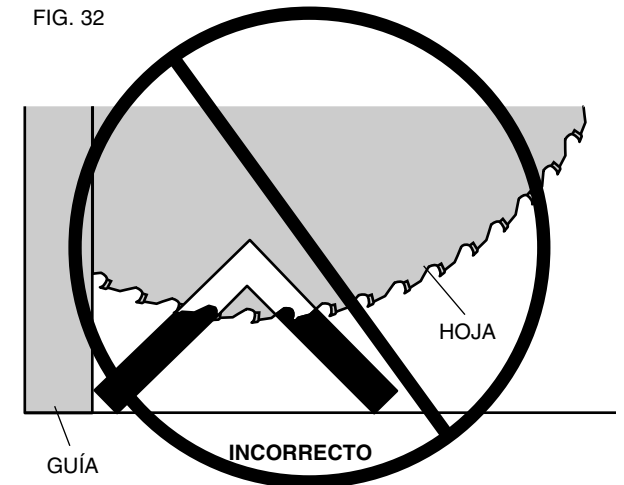


FIG. 32



El siguiente cuadro presenta las regulaciones adecuadas para los cortes de molduras de corona. (Los números para la regulación de inglete y bisel son muy precisos y no son fáciles de regular con precisión en la sierra). Dado que la mayoría de las habitaciones no tiene ángulos exactos a 90°, deberá afinar las regulaciones de todos modos.

HACER PRUEBAS CON MATERIAL DE DESCARTE ES MUY IMPORTANTE.

PARA CORTAR MOLDURAS DE CORONA EN FORMA HORIZONTAL Y UTILIZANDO FUNCIONES COMPUESTAS

1. Mueva el lado izquierdo de la guía del trayecto de la hoja antes de intentar cualquiera de los siguientes cortes.
2. La moldura se coloca con la superficie ancha posterior hacia abajo horizontalmente sobre la mesa de la sierra (Fig. 29).

3. Las siguientes configuraciones corresponden a las molduras de corona estándar (EE. UU.) con ángulos de 52° y 38°.

CONFIGURACIÓN TIPO DE CORTE DE BISEL

33,85° izquierda	LADO IZQUIERDO, ESQUINA INTERIOR:
	1. Parte superior de la moldura contra el reborde
	2. Mesa de inglete a 31,62° a la derecha
33,85° derecha	LADO DERECHO, ESQUINA INTERIOR:
	1. Parte superior de la moldura contra el reborde.
	2. Mesa de inglete a 31,62° izquierda
33,85° derecha	LADO IZQUIERDO, ESQUINA EXTERNA:
	1. Parte superior de la moldura contra el reborde.
	2. Mesa de inglete a 31,62° izquierda
33,85° izquierda	LADO DERECHO, ESQUINA EXTERIOR:
	1. Parte superior de la moldura contra el reborde
	2. Mesa de inglete a 31,62° a la derecha

Cuando fije los ángulos de bisel e inglete para todos los ingletes compuestos, recuerde que:

Los ángulos presentados para las molduras de corona son muy precisos y difíciles de fijar con exactitud. Dado que los ángulos se pueden alterar con facilidad, y dado que pocas habitaciones forman esquinas en escuadra exacta, todos los ajustes deben probarse en molduras de descarte.

HACER PRUEBAS CON MATERIAL DE DESCARTE ES MUY IMPORTANTE.

MÉTODO ALTERNATIVO PARA CORTAR MOLDURAS DE CORONA

Coloque la moldura en la mesa a un ángulo entre la guía y la mesa de la sierra, como se muestra en la Figura 30. El uso del accesorio de guía de la moldura de corona

FIG. 33

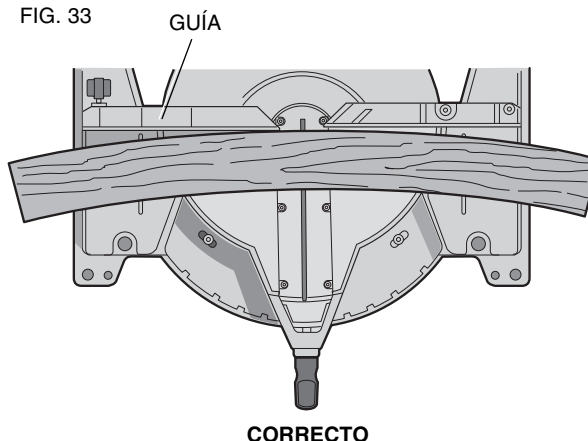
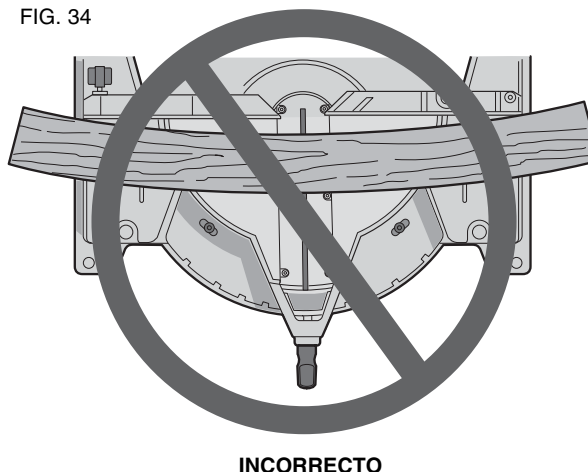


FIG. 34



(DW7084) se recomienda encarecidamente dado su grado de precisión y conveniencia. Puede comprar el accesorio de guía para molduras de corona en el distribuidor de su localidad.

La ventaja de cortar molduras de corona con este método es que no requiere ningún corte biselado. Se pueden realizar cambios minuciosos en el ángulo del inglete sin afectar el ángulo de bisel. De esta forma, cuando se encuentran esquinas que no tienen 90°, la sierra se puede regular rápida y fácilmente. Utilice el accesorio de guía para molduras de corona (DW7084) a fin de mantener el ángulo en el que estará la moldura sobre la pared.

INSTRUCCIONES PARA CORTES DE MOLDURAS DE CORONA CON ÁNGULO ENTRE LA GUÍA Y LA BASE DE LA SIERRA PARA TODOS LOS CORTES

1. Coloque en ángulo la moldura de manera que la parte inferior de la moldura (la que va contra la pared cuando

está instalada) quede contra la guía y la parte superior de la moldura se apoye sobre la base de la sierra, como se muestra en la Figura 30.

2. Las “partes planas” anguladas de la parte posterior de la moldura deben apoyarse en escuadra sobre la guía y la base de la sierra.

ESQUINA INTERIOR:	ESQUINA EXTERNA:
Lado izquierdo	Lado izquierdo
1. Inglete derecho a 45°	1. Inglete izquierdo a 45°
2. Conserve el lado derecho del corte	2. Conserve el lado derecho del corte
Lado derecho	Lado derecho
1. Inglete izquierdo a 45°	1. Inglete derecho a 45°
2. Conserve el lado izquierdo del corte	2. Conserve el lado izquierdo del corte

Cortes especiales

NUNCA REALICE CORTES SIN QUE EL MATERIAL ESTÉ BIEN SUJETO A LA MESA Y CONTRA LA GUÍA.

CORTE DE ALUMINIO

AUTILICE SIEMPRE HOJAS DE SIERRA ADECUADAS, FABRICADAS ESPECÍFICAMENTE PARA CORTAR ALUMINIO. Determinadas piezas de trabajo, debido a su tamaño, forma o acabado de superficie, pueden requerir el uso de una abrazadera o sujeción para evitar movimientos durante el corte. Coloque el material de manera que pueda cortar la sección más delgada, como se muestra en la Figura 31. La Figura 32 muestra la forma incorrecta de cortar estas extrusiones. Utilice un lubricante de corte de cera en barra cuando corte aluminio. Aplique la cera en barra directamente en la hoja de la sierra antes de cortar. Nunca aplique cera en barra en una hoja en movimiento.

La cera, disponible en la mayoría de las ferreterías y en los comercios de abastecimiento para talleres industriales, ofrece la lubricación adecuada y evita que las rebabas se adhieran a la hoja.

Asegúrese de sujetar bien la pieza de trabajo en forma adecuada. Consulte las página 41 para saber cuál es la hoja de sierra adecuada.

MATERIAL CURVADO

Al cortar material curvado, coloque siempre de la forma que se muestra en la Figura 33 y nunca como se muestra en la Figura 34. Colocar el material de forma incorrecta provocará accidentes en la hoja cerca del final del corte.

Cortes de tuberías de plástico u otros materiales redondos

Las tuberías de plástico se pueden cortar fácilmente con la sierra. Se cortan como madera y **SE SUJETAN O SOSTIENEN FIRMEMENTE A LA GUÍA PARA EVITAR QUE RUEDEN**. Esto es muy importante cuando se realizan cortes en ángulo.

**PARA REPARACIÓN Y SERVICIO DE SUS
HERRAMIENTAS ELÉCTRICAS, FAVOR DE DIRIGIRSE
AL CENTRO DE SERVICIO MÁS CERCANO**

CULIACAN, SIN

Blvd. Emiliano Zapata 5400-1 Poniente
Col. San Rafael

(667) 717 89 99

GUADALAJARA, JAL MEXICO, D.F. MERIDA, YUC

Calle 63 #459-A - Col. Centro

(999) 928 5038

MONTERREY, N.L.

Av. Francisco I. Madero 831 Poniente - Col. Centro

(818) 375 23 13

PUEBLA, PUE

17 Norte #205 - Col. Centro

(222) 246 3714

QUERETARO, QRO

Av. San Roque 274 - Col. San Gregorio

(442) 2 17 63 14

SAN LUIS POTOSI, SLP

Av. Universidad 1525 - Col. San Luis

(444) 814 2383

TORREON, COAH

Blvd. Independencia, 96 Pte. - Col. Centro

(871) 716 5265

VERACRUZ, VER

Prolongación Díaz Mirón #4280 - Col. Remes

(229) 921 7016

VILLAHERMOSA, TAB

Constitución 516-A - Col. Centro

(993) 312 5111

PARA OTRAS LOCALIDADES:

Si se encuentra en México, por favor llame al (55) 5326 7100

**Si se encuentra en U.S., por favor llame al
1-800-433-9258 (1-800 4-DEWALT)**

Especificaciones

DW718

Tensión de alimentación : 120 V AC ~
Consumo de corriente : 15 A
Frecuencia de alimentación : 60 Hz
Potencia de entrada : 1 600W
Rotación sin carga: 3 600/min

IMPORTADOR: DEWALT S.A. DE C.V.
BOSQUES DE CIDROS ACCESO RADIATAS NO. 42
COL. BOSQUES DE LAS LOMAS, 3A. SECCIÓN, CP 05120
DELEGACIÓN CUAJIMALPA, MÉXICO, D.F.
TEL. 5 326 7100
R.F.C.: BDE810626-1W7

**Para servicio y ventas consulte
"HERRAMIENTAS ELECTRICAS"
en la sección amarilla.**

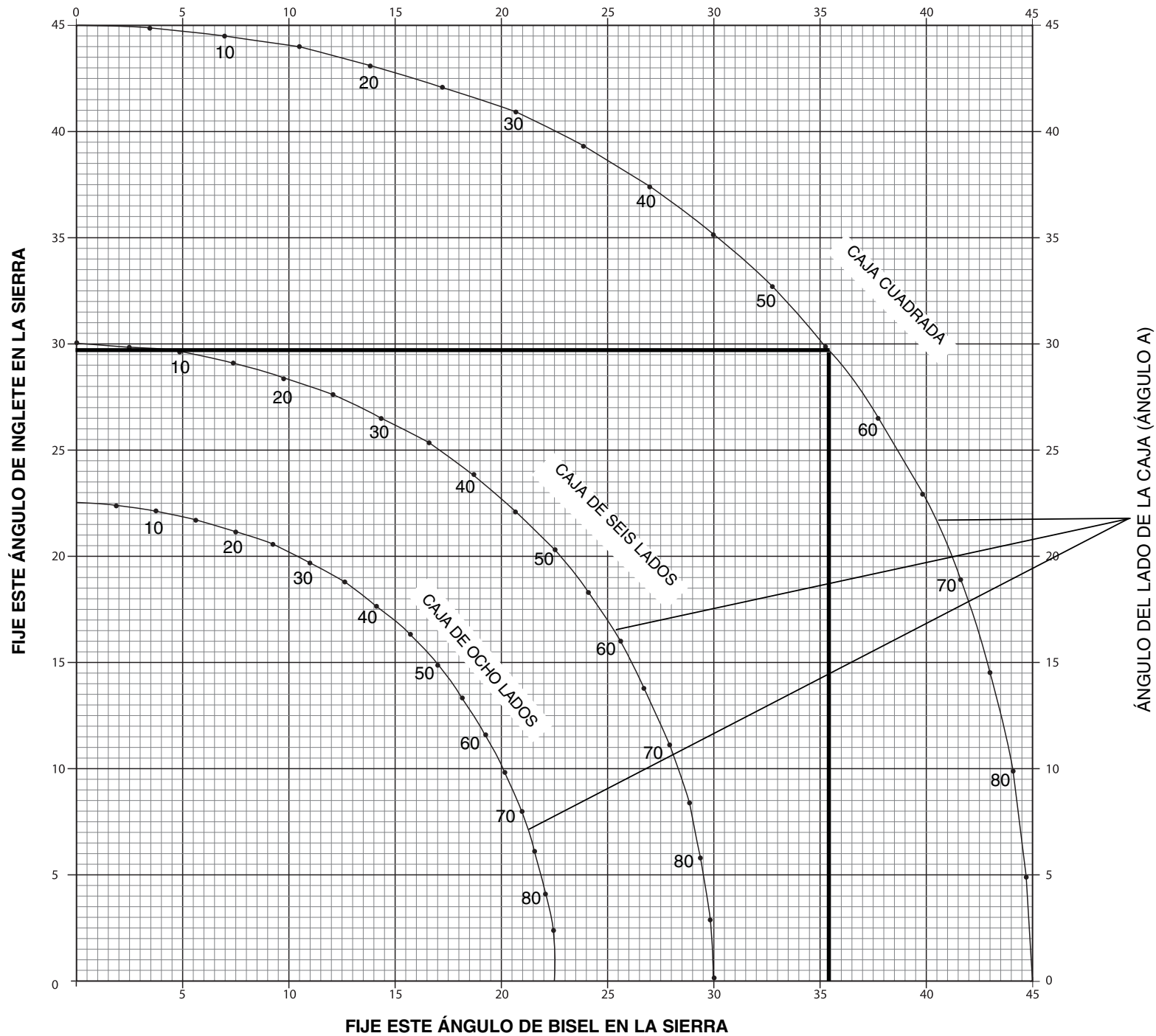


Guía de detección de problemas

ASEGÚRESE DE SEGUIR LAS REGLAS E INSTRUCCIONES DE SEGURIDAD

PROBLEMA	¿QUÉ SUCEDE?	QUÉ HACER
<i>La sierra no enciende</i>	<ol style="list-style-type: none"> 1. La sierra no está enchufada 2. Fusible quemado o interruptor automático activado. 3. Cable dañado 4. Cepillos gastados 	<ol style="list-style-type: none"> 1. Enchufe la sierra. 2. Reemplace el fusible o reinicie el interruptor automático. 3. Lleve al centro de mantenimiento autorizado para cambiar el cable. 4. Lleve al centro de mantenimiento autorizado para reemplazar los cepillos o reemplácelos usted mismo según se indica en la página 45.
<i>La sierra realiza cortes no satisfactorios</i>	<ol style="list-style-type: none"> 1. Hoja sin filo 2. Hoja montada al revés 3. Depósitos de goma o grumos de resina sobre la hoja 4. Hoja incorrecta para el trabajo que se realiza 	<ol style="list-style-type: none"> 1. Reemplace la hoja, consulte la página 42. 2. Dé vuelta la hoja, consulte la página 42. 3. Retire la hoja y límpiela con aguarrás y lana de acero gruesa o limpiahornos doméstico. 4. Cambie el tipo de hoja, consulte las página 41.
<i>La hoja no alcanza velocidad</i>	<ol style="list-style-type: none"> 1. Cable prolongador demasiado liviano o demasiado largo 2. Baja corriente en el hogar 	<ol style="list-style-type: none"> 1. Reemplácelo por un cable de tamaño adecuado, consulte la página 38. 2. Comuníquese con la empresa de energía eléctrica.
<i>La máquina vibra excesivamente</i>	<ol style="list-style-type: none"> 1. La sierra no está montada firmemente en el soporte o banco de trabajo 2. El soporte o el banco están sobre un piso desparejo 3. Hoja de sierra dañada 	<ol style="list-style-type: none"> 1. Apriete todos los tornillos de montaje, consulte la página 41. 2. Reubique sobre una superficie plana, consulte la página 41. 3. Reemplace la hoja, consulte la página 42.
<i>No realiza cortes de inglete precisos</i>	<ol style="list-style-type: none"> 1. La escala de inglete no está correctamente regulada 2. La hoja no está en escuadra con la guía 3. La hoja no está perpendicular a la mesa 4. La pieza de trabajo se mueve 	<ol style="list-style-type: none"> 1. Verifíquela y regúlela, consulte la página 43. 2. Verifíquela y ajústela, consulte la página 43. 3. Verifique y ajuste la guía, consulte la página 43. 4. Sujete con firmeza la pieza de trabajo a la guía.
<i>El material muerde la hoja</i>	<ol style="list-style-type: none"> 1. Cortes de material curvado 	<ol style="list-style-type: none"> 1. Posicione el material curvado como se muestra en la página 51.

TABLA 1: CORTE DE INGLETE COMPUESTO
 (UBIQUE LA MADERA CON EL LADO PLANO ANCHO SOBRE LA MESA Y EL BORDE ANGOSTO CONTRA EL REBORDE)



DEWALT Industrial Tool Co., 701 East Joppa Road, Baltimore, MD 21286 (AUG09) Part No. N044443 DW713

Copyright © 2007, 2009 DEWALT

The following are trademarks for one or more DEWALT power tools: the yellow and black color scheme; the “D” shaped air intake grill; the array of pyramids on the handgrip; the kit box configuration; and the array of lozenge-shaped humps on the surface of the tool.