
DEWALT®

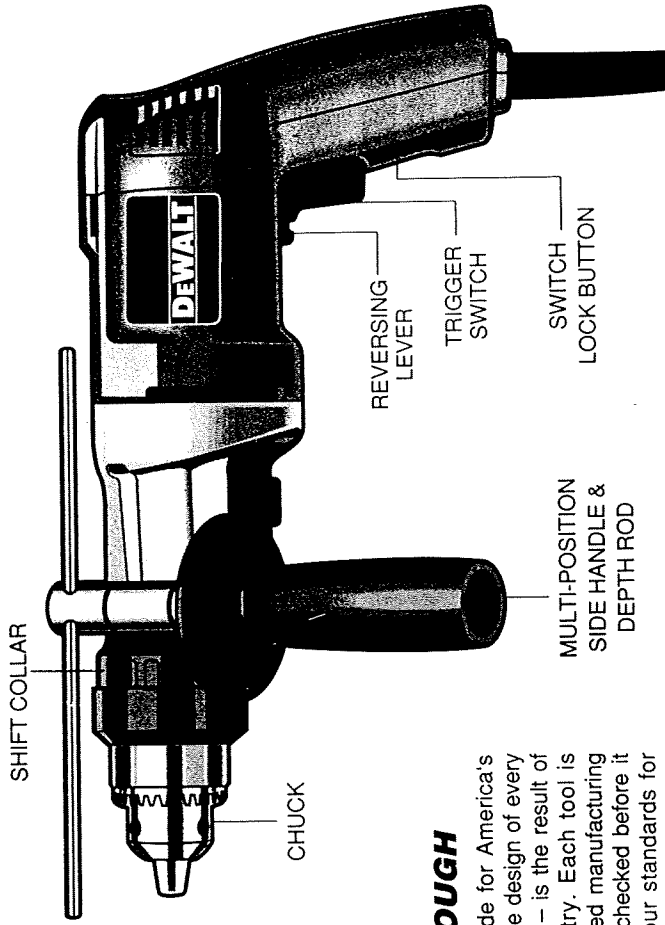
INSTRUCTION MANUAL

DW500 3/8" V.S.R Hammer Drill

DW510 1/2" V.S.R. Dual Range Hammer Drill

IF YOU HAVE ANY QUESTIONS OR COMMENTS ABOUT THIS, OR ANY DEWALT TOOL, CALL US TOLL FREE AT 1-800-4-DEWALT (1-800-433-9258).

| | |
|---|------------------|
| Serial Number from Nameplate | Date of Purchase |
| Save this information for future reference. | |



DEWALT . . . BUILT JOBSITE TOUGH

DeWalt high performance industrial tools are made for America's toughest industrial and construction applications. The design of every tool in the line – from drills to sanders to grinders – is the result of rigorous use on jobsites and throughout industry. Each tool is produced with painstaking precision using advanced manufacturing systems and intense quality control. Every tool is checked before it leaves the factory to make sure that it meets your standards for durability, reliability and power.

DEWALT Built Jobsite Tough...WE GUARANTEE IT.

IMPROMPTU SAFETY INSTRUCTIONS

WARNING: When using electric tools, basic safety precautions should always be followed to reduce risk of fire, electric shock, and personal injury, including the following:

READ ALL INSTRUCTIONS

Double Insulation

Double insulated tools are constructed throughout with two separate layers of electrical insulation or one double thickness of insulation between you and the tool's electrical system. Tools built with this insulation system are not intended to be grounded. As a result, your tool is equipped with a two prong plug which permits you to use extension cords without concern for maintaining a ground connection.

NOTE: Double insulation does not take the place of normal safety precautions when operating this tool. The insulation system is for added protection against injury resulting from a possible electrical insulation failure within the tool.

CAUTION: WHEN SERVICING USE ONLY IDENTICAL REPLACEMENT PARTS. Repair or replace damaged cords.

Polarized Plugs

Polarized plugs (one blade is wider than the other) are used on equipment to reduce the risk of electric shock. When provided, this plug will fit into a polarized outlet only one way. If the plug does not fit fully into the outlet, reverse the plug. If it still does not fit, contact a qualified electrician to install the proper outlet. Do not change the plug in any way.

- **KEEP WORK AREA CLEAN.** Cluttered areas and benches invite injuries.
- **CONSIDER WORK AREA ENVIRONMENT.** Don't expose power tools to rain. Don't use power tools in damp or wet locations. Keep work area well lit. Do not use tool in presence of flammable liquids or gases.
- **GUARD AGAINST ELECTRIC SHOCK.** Prevent body contact with grounded surfaces. For example; pipes, radiators, ranges, and refrigerator enclosures.
- **KEEP CHILDREN AWAY.** Do not let visitors contact tool or extension cord. All visitors should be kept away from work area.
- **STORE IDLE TOOLS.** When not in use, tools should be stored in dry, and high or locked-up place — out of reach of children.
- **DON'T FORCE TOOL.** It will do the job better and safer at the rate for which it was intended.
- **USE RIGHT TOOL.** Don't force small tool or attachment to do the job of a heavy-duty tool. Don't use tool for purpose not intended.
- **DRESS PROPERLY.** Do not wear loose clothing or jewelry. They can be caught in moving parts. Rubber gloves and non-skid footwear are recommended when working outdoors. Wear protective hair covering to contain long hair.
- **USE SAFETY GLASSES.** Also use face or dust mask if operation is dusty.
- **DON'T ABUSE CORD.** Never carry tool by cord or yank it to disconnect from receptacle. Keep cord from heat, oil, and sharp edges.
- **SECURE WORK.** Use clamps or a vise to hold work. It's

safer than using your hand and it frees both hands to operate tool.

- **DON'T OVERREACH.** Keep proper footing and balance at all times.
- **MAINTAIN TOOLS WITH CARE.** Keep tools sharp and clean for better and safer performance. Follow instructions for lubricating and changing accessories. Inspect tool cords periodically and if damaged, have repaired by authorized service facility. Inspect extension cords periodically and replace if damaged. Keep handles dry, clean, and free from oil and grease.
- **DISCONNECT OR LOCK OFF TOOLS** when not in use, before servicing, and when changing accessories, such as blades, bits, cutters.
- **REMOVE ADJUSTING KEYS AND WRENCHES.** Form habit of checking to see that keys and adjusting wrenches are removed from tool before turning it on.
- **AVOID UNINTENTIONAL STARTING.** Don't carry tool with finger on switch. Be sure switch is off when plugging in.
- **EXTENSION CORDS.** Make sure your extension cord is in good condition. When using an extension cord, be sure to use one heavy enough to carry the current your product will draw. An undersized cord will cause a drop in line voltage resulting in loss of power and overheating. The following table shows the correct size to use depending on cord length and nameplate ampere rating. If in doubt, use the next heavier gage. The smaller the gage number, the heavier the cord.
- **OUTDOOR USE EXTENSION CORDS.** When tool is used outdoors, use only extension cords intended for use outdoors and so marked.
- **STAY ALERT.** Watch what you are doing. Use common sense. Do not operate tool when you are tired.

| Volts | Minimum Gage for Cord Sets | | |
|---------------|----------------------------|--------|-------------------|
| | 0-25 | 51-100 | 101-150 |
| 120V | 26-50 | 51-100 | 101-150 |
| 240V | 0-50 | 51-100 | 101-200 |
| | | | 201-300 |
| Ampere Rating | American Wire Gage | | |
| More Than | Not more Than | | |
| 0 - 6 | 18 | 16 | 14 |
| 6 - 10 | 18 | 16 | 14 ^{1/2} |
| 10 - 12 | 16 | 16 | 14 |
| 12 - 16 | 14 | 12 | Not Recommended |

- **CHECK DAMAGED PARTS.** Before further use of the tool, a guard or other part that is damaged should be carefully checked to determine that it will operate properly and perform its intended function. Check for alignment of moving parts, binding of moving parts, breakage of parts, mounting, and any other conditions that may affect its operation. A guard or other part that is damaged should be properly repaired or replaced by an authorized service center unless otherwise indicated elsewhere in this instruction manual. Have defective switches replaced by authorized service center. Do not use tool if switch does not turn it on and off.

Additional Safety Instructions for Hammer Drills

- **CAUTION:** When drilling into walls, floors or wherever live electrical wires may be encountered, **DO NOT TOUCH ANY METAL PARTS OF THE TOOL!** Hold the tool only by insulated grasping surfaces to prevent electric shock if you drill into a live wire.
- **WEAR EAR PROTECTORS WHEN USING FOR EXTENDED PERIODS.**

SAVE THESE INSTRUCTIONS

Motor Brushes

DeWalt uses an advanced brush system which automatically stops the drill when the brushes wear out. This prevents serious damage to the motor.

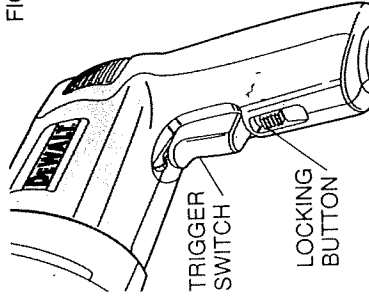
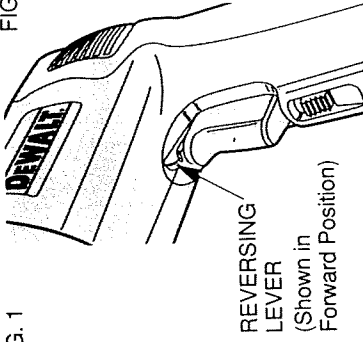


FIG. 2



Switch

To start tool, depress trigger switch; to stop tool, release trigger. To lock trigger in "ON" position for continuous operation, depress trigger and push up locking button (Figure 1), then gently release trigger. To release locking mechanism, depress trigger fully, then release it. Before using the tool (each time) be sure that the locking button release mechanism is working freely.

Do not lock the switch "ON" when drilling by hand so that you can instantly release the trigger switch if the bit binds in the hole.

The locking button is for use only when the drill is mounted in a drill press stand or otherwise held stationary.

Be sure to release the locking button before disconnecting the plug from the power supply. Failure to do so will cause the tool to start immediately the next time it is plugged in. Damage or injury could result.

THE VARIABLE SPEED TRIGGER SWITCH permits speed control – the farther the trigger is depressed, the higher the speed of the tool.

NOTE: Use lower speeds for starting holes without a center punch, drilling in metal or plastics, driving screws or drilling ceramics. Higher speeds are better for drilling wood and composition boards, and for using abrasive and polishing accessories.

THE REVERSING LEVER is used when backing out screws and jammed drill bits. To operate the tool in reverse, release the trigger switch and push the lever to the left (when viewed from the chuck end). To operate the drill in forward for drilling holes or driving screws (as well as other accessories) release the trigger switch and push the lever to the right (when viewed from the chuck end, as shown in Figure 2).

Return the reversing lever to the forward position after all operations in reverse are completed.

Gear Shift Operation (DW510 Only)

The two speed gear drive in the dual range hammer drill, permits effective operation over an extended range of applications with greater selection of accessories. To select proper speed for a particular job, refer to the instruction label on the underside of the gear case.

For LOW SPEED operation the shift knob (Figure 3) should be rotated so that position "L" symbol is oriented toward the front of the tool. For HIGH SPEED operation, the shift knob should be rotated so that position "H" is oriented toward the front of the tool.

NOTE: The instruction label on the bottom of the unit is to help the user in determining what speed is best for a specific application.

The gear train has been designed for shifting only when the unit is off. It may be necessary however, to rotate the chuck slightly by hand to align the gears while turning the shift knob. **DO NOT ATTEMPT TO CHANGE SPEEDS** by turning the shift knob when the tool is running. Doing so will damage the gear train.

Shift Collar Operation

TO HAMMER—Turn collar in direction of arrow shown in Figure 4 while pulling out toward end of chuck. Turn collar until hammer symbol appears at the top of the tool. This is the position to be used with percussion type carbide-tipped bits for drilling in tile, masonry, brick, porcelain, etc.

TO DRILL—Turn collar in direction of arrow until drill bit symbol appears at the top of the tool. This position is for drilling metal with drill bits, in wood with augers or when using hole saws for cutting wood, metal or composition materials.

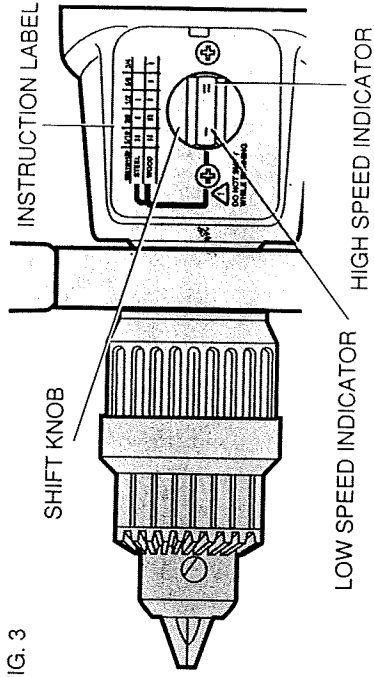


FIG. 3

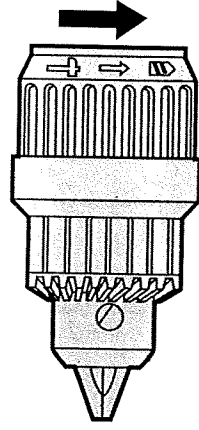


FIG. 4

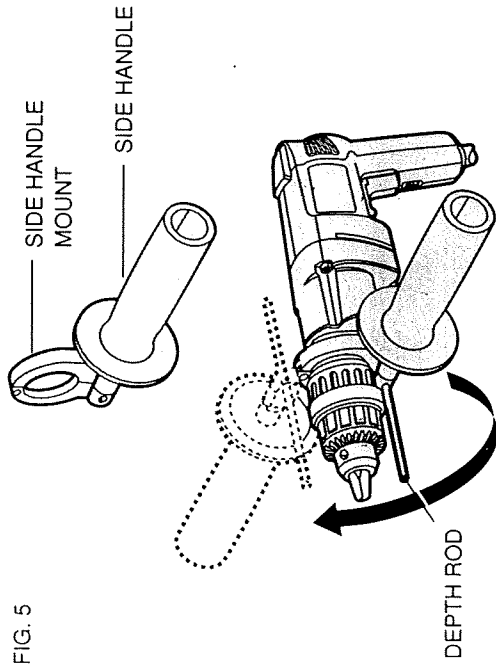
TURN COLLAR ONLY WHEN CHUCK IS NOT ROTATING, AND ONLY IN DIRECTION OF ARROW.

Multi-Position Side Handle & Depth Rod

This handle clamps to the front of the gear case and can be rotated 360 degrees to permit right or left hand use, as shown in Figure 5.

CAUTION: Always use side handle and hold drill with both hands.

To set the depth rod, loosen side handle, position the rod so that the length of bit projecting beyond the end of the rod is equal to the desired hole depth, and retighten handle.



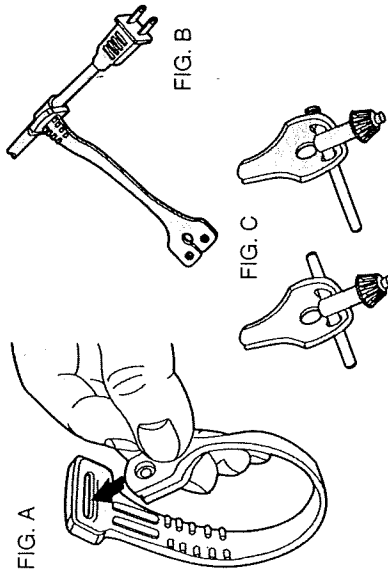
Chuck Key Holder

INSTALL AS SHOWN BELOW

1. Push double-hole end of Holder through the slot in other end of Holder (Figure A.)
2. Slip loop over electric plug and draw loop tight around cord (Figure B.)
3. Push ends of Chuck Key Handle through two holes in end of Holder (Figure C.)

Chuck Removal (Figures 6 & 7)

1. Place chuck key in chuck as shown in Figure 6. Using a wooden mallet or similar object, strike key sharply in a **CLOCKWISE** direction. This will loosen screw inside chuck.
2. Open chuck jaws fully. Insert screwdriver into front of chuck between jaws to engage screw head. Remove screw by turning clockwise (left-hand thread).



- Place key in chuck as shown in Figure 7. Using a wooden mallet or similar object, strike key sharply in a **COUNTERCLOCKWISE** direction. This will loosen chuck so that it can be unscrewed by hand.

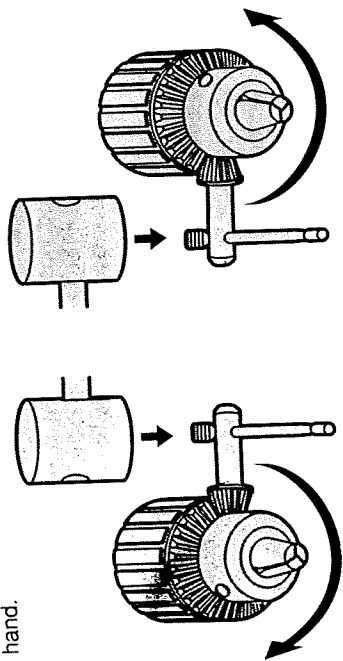


FIG. 6

FIG. 7

Chuck Installation (Figure 6)

- Screw the chuck onto the tool spindle in **CLOCKWISE** direction.
- When the chuck is all the way on, place the chuck key in any hole, as shown in Figure 6 and use a wooden mallet or similar tool to strike the key sharply in a **CLOCKWISE** direction to tighten the chuck.
- Open the chuck jaws fully and insert the screw you removed when taking the chuck off. Tighten this screw firmly (left hand thread) to secure the chuck.

Lubrication

When the tool is taken apart for motor brush replacement a small amount of grease should be added (or redistributed from that remaining in housing) to the gears. The ball bearings used in this tool are lubricated during manufacture and require no lubrication.

Accessories

Recommended accessories for use with your tool are available at extra cost from your local service center.

A complete listing of service centers is included with your tool. If you need any assistance in locating any accessory, please contact DEWALT Industrial Tool Company, P.O. Box 158, 626 Hanover Pike, Hampstead, MD 21074 or call 1-800-4-DEWALT (1-800-433-9258).

Recommended accessories for your tool are shown in this manual. **(CAUTION:** The use of any other accessory might be hazardous.) For safety in use, the following accessories should be used only in sizes up to the maximums shown in the table below.

Maximum Recommended Capacities

| CATALOG NO. | DW500 | DW510 |
|----------------|--------|---|
| DRILL CAPACITY | 3/8" | 1/2" 1/2" |
| R.P.M. | 0-2500 | LOW RANGE 0-1400 HIGH RANGE 0-3100 |
| STEEL | 3/8" | 1/2" 1/2" |
| WOOD | 3/4" | 1 1/4" 1 1/4" |
| MASONRY | 1/2" | 3/4" 3/4" |

ACCESSORY MUST BE RATED FOR USE AT SPEED EQUAL TO OR HIGHER THAN NAMEPLATE R.P.M. OF TOOL WITH WHICH IT IS BEING USED.

- WIRE WHEEL BRUSHES 4" Diameter Maximum
- WIRE CUP BRUSHES 3" Diameter Maximum
- BUFFING WHEELS 3" Diameter Maximum
- RUBBER BACKING PADS 4-5/8" Diameter Maximum

Important

To assure product SAFETY and RELIABILITY, repairs, maintenance and adjustment should be performed by DeWalt certified service centers or other qualified service organizations. These service organizations service DeWalt tools always using DeWalt replacement parts. Black & Decker (U.S.) Inc. industrial tool service centers are certified for servicing DeWalt industrial tools.

Extension Cords

Double insulated tools have 2-wire cords and can be used with 2-wire or 3-wire extension cords. Only round jacketed extension cords should be used, and we recommend that they be listed by Underwriters Laboratories (U.L.). If the extension will be used outside, the cord must be suitable for outdoor use. Any cord marked as outdoor can be used for indoor work. The letters "WA" on the cord jacket indicate that the cord is suitable for outdoor use.

An extension cord must have adequate wire size (AWG or American Wire Gauge) for safety, and to prevent loss of power and overheating. The smaller the gauge number of the wire, the greater the capacity of the cable, that is 16 gauge has more capacity than 18 gauge. When using more than one extension to make up the total length, be sure each individual extension contains at least the minimum wire size.

To determine the minimum wire size required, refer to the chart below.

**CHART FOR MINIMUM WIRE SIZE (AWG)
OF EXTENSION CORDS**

| NAMEPLATE RATING-AMPS | 25 | 50 | 75 | 100 | 125 | 150 | 175 | 200 |
|--------------------------|----|----|----|-----|-----|-----|-----|-----|
| 0 - 10.0 | 18 | 18 | 16 | 16 | 14 | 14 | 12 | 12 |
| 10.1 - 13.0 | 16 | 16 | 14 | 14 | 14 | 12 | 12 | 12 |
| 13.1 - 15.0 | 14 | 14 | 12 | 12 | 12 | 12 | 12 | — |

Before using an extension cord, inspect it for loose or exposed wires, damaged insulation, and defective fittings. Make any needed repairs or replace the cord if necessary.

Full Warranty

DeWalt heavy duty industrial tools are warranted for one year from date of purchase. We will repair, without charge, any defects due to faulty materials or workmanship. Arrangements have been made with the Industrial Tool Division of Black & Decker (U.S.) Inc. to provide warranty repairs for DeWalt tools. Please return the complete unit, transportation prepaid, to any Black & Decker (U.S.) Inc. Industrial Service Center or Authorized Service Station listed under "Tools, Electric" in the Yellow Pages. This warranty does not apply to accessories or damage caused where repairs have been made or attempted by others. This warranty gives you specific legal rights and you may have other rights which vary from state to state.

In addition to the warranty, DeWalt tools are covered by our:

30 DAY NO RISK SATISFACTION GUARANTEE

If you are not completely satisfied with the performance of your DeWalt heavy duty industrial tool, simply return it to the participating seller within 30 days for a full refund. Please return the complete unit, transportation prepaid. Proof of purchase may be required.

Like most DeWalt products your tool is listed by Underwriter's Laboratories to ensure that it meets stringent safety requirements.



This symbol on the nameplate means the product is listed by Underwriter's Laboratories, Inc.

Other DeWalt Heavy Duty Industrial Tools Available From Your Local Dealer

DW944K 9.6V Heavy Duty Versa-Clutch Cordless 3/8" Driver/Drill Kit with Keyless Chuck:

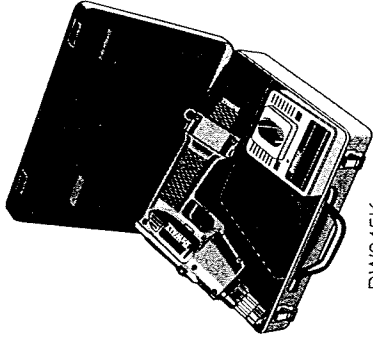
High performance industrial Versa-Clutch cordless Driver Drill has two variable speed ranges and reversing to perform well in a wide variety of metals and wood. The extremely versatile cordless Driver/Drill has 11 clutch settings, a keyless chuck and delivers more power and torque than any cordless drill in its class. Also available:

DW945K 12.0V Heavy Duty Versa-Clutch Cordless 3/8" Driver/Drill Kit with Keyless Chuck

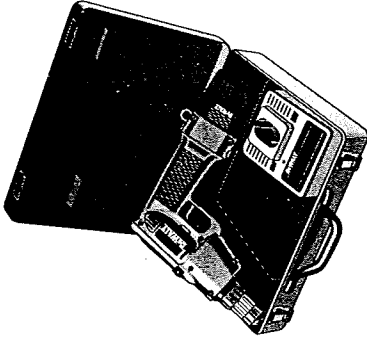
DW942R 7.2V Heavy Duty Cordless 3/8" VSR Drill

DW360 Heavy Duty 7-1/4" Circular Saw with Electric Brake:

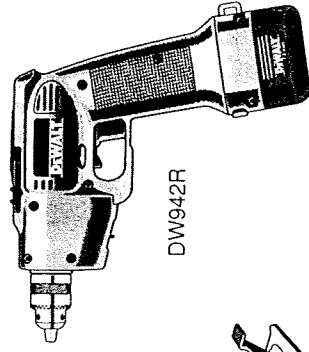
High performance industrial saw has a 13 amp rating and a 2 second electric brake. It has a 50 degree bevel capacity and steel helical gears to assure long term reliability. It delivers more watts out and more torque than other saws in its class.



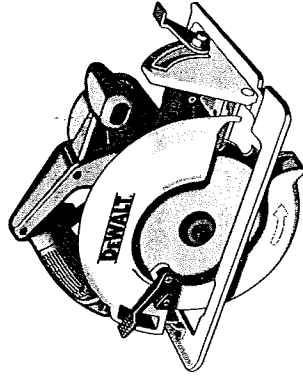
DW945K



DW944K



DW942R



DW360

YOUR POWER TOOLS MAY BE SERVICED AT THE FOLLOWING B&D SERVICE CENTERS.

| | | | | | | | | | | | | | | | | | | | | | | | | | | | | | | | | | | | | | | | | |
|--|--|---|--|--|--|--|---|--|--|---|--|--|--|---|--|---|---|---|--|--|--|---|---|---|--|--|---|--|--|--|--|---|---|--|--|---|--|--|---|---|
| ALABAMA: Birmingham 35208, 2412 Green Springs Hwy. 205-942-0538 Mobile 36608, 3831 Airport Blvd. 205-343-6624 | ALASKA: Anchorage 99518, 910 West International Airport Rd. 907-563-4664 | ARIZONA: Mesa 85202, 535 S. Dobson, Suite 7 602-461-1074 Phoenix 85013, 4501 N. 7th Avenue 602-273-6414 Tucson 85712, 4845 E. Speedway Blvd. 502-323-3388 | ARKANSAS: Little Rock 72201, 519 W. Seventh St. 501-372-3040 | CALIFORNIA: Anaheim 92806, 540 South State College Blvd. 714-772-4050 Chula Vista 91910, 309 Broadway Blvd. #C2 619-420-6350 Concord 94520, 14000 Highway 92 925-352-3388 Folsom 95630, 5412 North Blackstone Ave. 209-435-0810 Long Beach 90805, 2011 South St. 310-422-5825 Los Angeles 90040, 4820 South Eastern Ave., Suite "L" 213-720-1834 Los Angeles 90040, 4820 South Eastern Ave., Suite "B" 909-791-9090 Sacramento 95825, 2033 Fulton Ave. 916-479-9090 San Diego 92123, 9270 Clairemont Mesa Blvd. 619-276-2011 San Jose 95128, 185 E. San Antonio Ave. #6 408-293-7350 Van Nuys 91411, 7826 E. 14th St. 510-276-1610 Van Nuys 91411, 14820 Victory Blvd. 818-787-5531 | COLORADO: Denver 80219, 1171 S. Federal Blvd. 303-922-8325 | CONNECTICUT: Orange 06477, 481 Boston Post Rd. 203-795-3583 Weathersfield (Hartford) 06109, 662 Sias Dean Hwy. 203-563-8600 | DISTRICT OF COLUMBIA: Washington Cormar Manor 20722, 4153 Bladensburg Rd. 301-378-8698 Falls Church, VA 22046, 344 W. Broad St. 703-553-7313 | FLORIDA: Ft. Lauderdale 33334, 799 E. Oakland Pk. Blvd. 305-566-5102 Ft. Myers 33907, 5224 Bank Street 813-278-1188 Jacksonville 32214, 4400 W. Atlantic Blvd. 904-781-2253 Miami 33158, 13345 N.W. Seventh Ave. 305-681-6658 Miami (South) 33156, 12233 So. Dixie Hwy. 305-232-9497 Orlando 32803, 3807 E. Colonial Dr. 407-894-7011 St. Petersburg 33709, 5635 49th St. N. 813-525-0273 Tampa 33609, 3432 W. Kennedy Blvd. 813-869-8247 West Palm Beach 33415, 310 South Military Trail 407-689-8247 | GEORGIA: Atlanta (South) 30349, 5390 Old National Hwy. 404-762-8844 Smyrna 30080, 2350 Cassin Pk. 404-956-0869 Stone Mountain (Atlanta) 30086, 5723 Memorial Dr. 404-292-4714 Hickory 36619, 330 Sand Island Access Road 808-847-7447 | ILLINOIS: Das Plaines (Chicago) 60018, 1277 South Elmhurst Rd. 708-364-5220 Lincolnwood (Chicago) 60066, 6710 N. Crawford Ave. 708-673-0923 Lisle (West Chicago) 60532, 2950 Ogden Ave., Unit H 708-717-1073 Moline 61265, 4433 23rd Ave. 309-262-3033 Oak Lawn (Chicago) 60453, 6343 W. 95th St. 708-423-7212 Waukegan 60085, 39 S. Greenbay Rd. 708-249-4390 | INDIANA: Evansville 47710, 697 First Ave., Crescent Cir. 812-425-4269 Hammond 46320, 7103 Kennedy Ave. 219-845-5100 Indianapolis 46224, 5899 Crawfordsville Rd. 317-243-8308 | IAHAMA: Des Moines 50310, 3427 Merie Hay Rd. 515-270-1340 Wichita 67213, 155 S. West St. 316-943-1271 | KENTUCKY: Louisville 40213, 5211 Plesion Hwy. 502-968-7100 | LOUISIANA: Baton Rouge 70815, 11859 Florida Blvd. 504-272-8111 Harvey 70058, 2650 Lakeside Blvd. 504-366-8676 New Orleans (Greens) 70092, 3504 N. Causeway Blvd. 504-337-2550 Shreveport 71108, 7710-7714 Jewella Rd. 318-688-1553 | MARYLAND: Baltimore (East) 21205, 4712 Erdman Ave. 410-485-5550 Baltimore (North) 21030, 28-31 Cranbrook Rd., Cockeysville 410-665-3986 Baltimore (South) 21122, 8220 Ritchie Hwy., Pasadena 410-665-3986 Cormar Manor 20722, 4153 Bladensburg Rd. 301-779-3008 | MASSACHUSETTS: Brighton (Boston) 02135, 12 Market St. 617-782-6264 Seekonk 02771, 120 Highland Ave. 508-336-6510 | MICHIGAN: Farmington Hills 48312, 3040 28th St., S.E. 616-949-8331 Grand Rapids 49517, 3203 W. Saginaw Hwy. 616-323-4181 Warren 48093, 27035 Van Dyke Blvd. 313-755-6710 Westland (Detroit) 48185, 8067 North Wayne Rd. 313-427-1520 | MINNESOTA: Bloomington (Minneapolis-St. Paul) 55420, 9517 Lyndale Ave., S. 612-884-9191 | MISSOURI: Kansas City 64111, 4324 Main St. 816-531-0529 St. Ann (North St. Louis) 63074, 3637 North Linbergh Blvd. 314-239-4661 St. Louis 63131, 12852 Manchester Rd. 314-821-8740 | NEBRASKA: Omaha 68127, 4225 S. 84th St. 402-592-5666 | NEVADA: Las Vegas 89104, 3411 East Charleston Blvd. 702-641-6555 | NEW JERSEY: Little Falls 07642, 1444 E. Madison Pike/Rte. 70 609-429-8822 Little Falls 07642, 1189 S. Highway 46 201-256-9373 Union (Scotts Plains) 07076, 2520 Route #22 East 908-239-9685 | NEW MEXICO: Albuquerque 87110, 5617 Menaul Blvd., N.E. 505-884-1002 | NEW YORK: Buffalo 14209, 881 W. Delaware Ave. 716-894-6220 Centerach L.I. 11720, 2051-53 Middle County Rd. 516-237-4706 Elmhurst (New York) 11375, 27-27 Queensbury Rd. 718-335-1042 Latham (Albany) 12110, 777 S. Broadway Rd. 518-785-1867 Rousesville 13214, 3485 Erie Blvd., East 315-446-3066 Westbury L.I. (New York) 11590, 1061 Old Country Rd. 516-997-6140 | NORTH CAROLINA: Charlotte 28205, 3007 E. Independence Blvd. 704-374-1779 Greensboro 27407, 3716 High Point Rd. 910-852-1300 Raleigh 27604, 2930 Capital Blvd. 919-878-6357 | OHIO: Cincinnati 45241, 2310 E. Sharon Rd. 513-772-3111 Columbus 43227, 3975 E. Livingston Ave. 614-237-0461 Dayton 45405, 2956 S. Chilton Rd. 513-298-1951 Mayfield Heights (East Cleveland) 44124, 5681 Mayfield Rd. 216-449-2770 | OHIO (CONT'D): Parma Heights (Cleveland) 44130, 6483 Pearl Road. 216-842-9100 Toledo 43607, 3231 Dorr St. 419-531-8921 | OKLAHOMA: Oklahoma City 73106, 1318 Linwood Blvd. 405-292-7515 Tulsa 74145, 3120 S. Sheridan Rd. 918-622-5666 | OREGON: Portland 97209, 1640 N.W. Johnson St. 503-228-8631 | PENNSYLVANIA: Evan's City 16033, 20808 Rt. 19 North 412-779-9600 Harrisburg 17112, 6800 Allentown Blvd. 717-545-0651 Lancaster 17603, 353 N. 20th St. 717-393-5251 Philadelphia (North) 19115, 9977-81 Bustleton Ave. 215-464-7771 Philadelphia (North) 19115, 9977-81 Bustleton Ave. 215-464-7771 Pittsburgh 15232, 5437 Baum Blvd. 412-362-2700 Whitehall (Allentown) 18052, 2242 MacArthur Rd. 610-435-9544 Wilkes-Barre 18702, 759 Kidder Street 717-824-5704 | PUERTO RICO: Puerto Nuevo 809-783-3535 | RHODE ISLAND: See Seekonk, MA | SOUTH CAROLINA: Greenville 29607, 1557 Laurens Rd. 803-232-3038 | TENNESSEE: Chattanooga 37421, 6231 Peanmeter Drive, Space E 615-894-5957 Chattanooga 37417, 4118 N. Broadway 615-688-0921 Memphis 38116, 1085 East Brooks Rd. 901-332-3444 Nashville 37211, 4811 Nolensville Rd. 615-833-8277 | TEXAS: Amarillo 79106, 3008 West 6th Ave. 806-373-1531 Austin 78757, 6549 Burnet Rd. 214-268-1133 Dallas 75229, 2257 Royal Ln. 972-320-6655 El Paso 79915, 9622 Galena, East 915-778-9769 Fort Worth 76103, 7522 Galena, East 817-831-3628 Houston 77022, 536 E. Towell Rd. 214-666-9302 Houston 77043, 718 W. Centerville Rd. 713-692-7111 Houston (S.W.) 77025, 9319 Stella Link Blvd 713-664-3666 San Antonio 78201, 500 Culebra Ave. 210-732-1221 Webster 77598, 100 East Nasa Rd. One 713-538-4556 | UTAH: Salt Lake City 84115, 1541 S. Third West St. 801-466-5828 | VIRGINIA: Falls Church 22046, 344 W. Broad St. 703-533-7313 Hampton 23666, 3418 W. Williams Pkwy. 804-826-9332 Norfolk 23529, 1424 Chamberlayne Ave 804-480-3333 Richmond 23222, 1424 Chamberlayne Ave 804-649-9245 | WASHINGTON: Seattle 98108, 421 S. Michigan St. 206-763-2010 Spokane 99208, N. 7011 Division St. 509-467-8190 Tacoma 98409, 2602 S. 38th St. 206-473-6040 | WEST VIRGINIA: Charleston 25312, 1638 Sixth Ave. 304-343-0289 | WISCONSIN: Milwaukee (Wauwatosa) 53226, 10424 West Bluemound Rd. 414-453-4240 |
|--|--|---|--|--|--|--|---|--|--|---|--|--|--|---|--|---|---|---|--|--|--|---|---|---|--|--|---|--|--|--|--|---|---|--|--|---|--|--|---|---|

DeWALT Industrial Tool Company, 626 Hanover Pike, P.O. Box 158, Hampstead, MD 21074 Printed in U.S.A. (MAY95-CD-7) Form No. 158639-02
For information call toll free between 8:00 a.m. and 8:00 p.m., seven days a week. 1-800-4-DeWALT (1-800-433-9258)

Copyright © 1993, 1995

DW500/DW510