

DEWALT®



**Instruction Manual
Guide D'utilisation
Manual de instrucciones**

DW451S2

16 GA Wide Crown Lathing Stapler

Agrafeuse pour lattage à couronne large de calibre 16

Engrapadora de Torno de Corona Ancha 16 GA

www.DEWALT.com

**If you have questions or comments, contact us.
Pour toute question ou tout commentaire, nous contacter.
Si tiene dudas o comentarios, contáctenos.**

1-800-4-DEWALT

ENGLISH

English (***original instructions***) 1

Français (*traduction de la notice d'instructions originale*) 10

Español (*traducido de las instrucciones originales*) 20

Definitions: Safety Alert Symbols and Words

This instruction manual uses the following safety alert symbols and words to alert you to hazardous situations and your risk of personal injury or property damage.



DANGER: Indicates an imminently hazardous situation which, if not avoided, **will** result in **death or serious injury**.



WARNING: Indicates a potentially hazardous situation which, if not avoided, **could** result in **death or serious injury**.



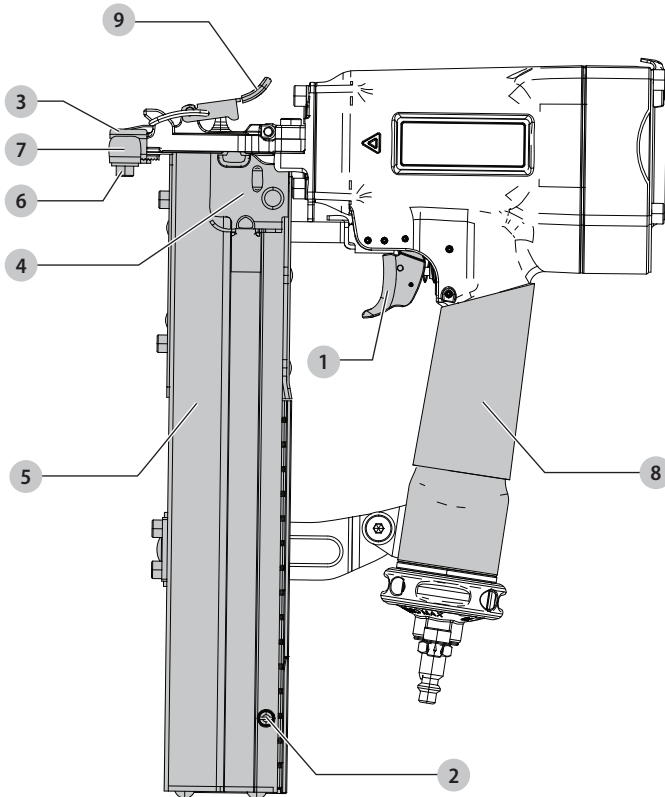
CAUTION: Indicates a potentially hazardous situation which, if not avoided, **may** result in **minor or moderate injury**.



(Used without word) Indicates a safety related message.

NOTICE: Indicates a practice **not related to personal injury** which, if not avoided, **may** result in **property damage**.

Fig. A



- 1 Trigger
- 2 Pusher release
- 3 Contact trip
- 4 Pusher
- 5 Magazine
- 6 Depth adjustment screw
- 7 Sliding shoe
- 8 Handle
- 9 Tool free jam release



WARNING: Read all safety warnings and all instructions. Failure to follow the warnings and instructions may result in electric shock, fire and/or serious injury.



WARNING: To reduce the risk of injury, read the instruction manual.

If you have any questions or comments about this or any DEWALT tool, call us toll free at: 1-800-4-DEWALT (1-800-433-9258).

IMPORTANT SAFETY INSTRUCTIONS



WARNING: Only persons who have read and understand the tool operating/safety instructions should operate the tool.



WARNING: Actuating tool may result in flying debris, collation material, or dust which could harm operator's eyes. Operator and others in work area **MUST** wear safety glasses with side shields. These safety glasses must conform to ANSI Z87.1 requirements (approved glasses have "Z87" printed or stamped on them). Employer is responsible for enforcing the usage of eye protection equipment by the tool operator and all other personnel in the work area.



WARNING: Always assume that the tool contains fasteners.



WARNING: (Air and Supply)

- Do not use oxygen, combustible gases, or bottled gases as a power source for this tool as tool may explode, possibly causing injury.
- Do not use supply sources which can potentially exceed 200 p.s.i.g. (14 kg/cm²) as tool may burst, possibly causing injury.
- The connector on the tool must not hold pressure when air supply is disconnected. If a wrong fitting is used, the tool can remain charged with air after disconnecting and thus will be able to drive a fastener even after the air line is disconnected possibly causing injury.
- Do not pull the trigger while connected to the air supply as the tool may cycle, possibly causing injury.
- Always disconnect air supply: 1.) Before making adjustments; 2.) When servicing the tool; 3.) When clearing a jam; 4.) When tool is not in use; 5.) When moving to a different work area, as accidental actuation may occur, possibly causing injury, 6.) When loading the tool.



WARNING: When loading tool:

- Disconnect from air supply.
- Never place a hand or any part of body in fastener discharge area of tool.
- Never point tool at yourself or anyone else.
- Do not pull the trigger as accidental actuation may occur, possibly causing injury.
- Be careful when handling fasteners, especially when loading and unloading, as the fasteners have sharp points.



WARNING: Do not operate tool if:

- There is any damage to air hose or fitting.
- The tool leaks air.
- The tool has received a sharp blow, malfunctions or is dropped or damaged in any manner. Return tool to the nearest authorized service facility for examination, repair, or mechanical adjustment.
- Warning labels are missing or damaged.

- Tool is not in proper working order. Tags and physical segregation shall be used for control.
- Tool is without workpiece contact. A tool without workpiece contact can be fired unintentionally causing injury to an operator or a bystander.



WARNING: When operating the tool:

- Always handle the tool with care:
 - Never engage in horseplay.
 - Never pull the trigger unless nose is directed toward the work.
 - Never point the tool at yourself or others.
 - Keep others a safe distance from the tool while tool is in operation as accidental actuation may occur, possibly causing injury.
 - Keep bystanders and children away while operating tool.
 - Respect tool as a working implement.
 - Stay alert, focus on your work and use common sense when working with tools.
 - Do not use tool while tired, after having consumed drugs or alcohol, or while under the influence of medication.
 - Do not overreach. Only use in a safe working place.
 - Keep proper footing at all times.
- Drive fasteners into work surface only.
- When working close to an edge of a workpiece or at steep angles use care to minimize chipping, splitting or splintering, or free flight or ricochet of fasteners, which may cause injury.
- Do not drive fasteners on top of other fasteners or with the tool at an overly steep angle as this may cause deflection of fasteners which could cause injury.
- Do not load tool with fasteners when any one of the operating controls is activated.
- Use extra caution when driving fasteners into existing walls or other blind areas to prevent contact with hidden objects or persons on other side (e.g., wires, pipes.)
- The operator must not pull the trigger except during fastening operation as serious injury could result if the tool accidentally contacts someone or something, causing the tool to cycle.
- Keep hands and body away from the discharge area of the tool. The tool may bounce from the recoil of driving a fastener and an unwanted second fastener may be driven possibly causing injury.
- Check operation of the trigger mechanism frequently. Do not use the tool if the trigger is not working correctly as accidental driving of a fastener may result. Do not interfere with the proper operation of the trigger mechanism.
- Never inadvertently pull or grasp the trigger when moving about, changing work location, when

holstering or hanging tool, or when preparing work surface for fastening operation.

- This tool produces SPARKS during operation. NEVER use the tool near flammable substances, gases or vapors including lacquer, paint, benzine, thinner, gasoline, adhesives, mastics, glues or any other material that is -- or the vapors, fumes or byproducts of which are -- flammable, combustible or explosive. Using the fastener in any such environment could cause an EXPLOSION resulting in personal injury or death to user and bystanders.



WARNING: After driving a fastener, tool may bounce back ("recoil") causing it to move away from the work surface. To reduce risk of injury always manage recoil by:

- Always maintaining control of tool.
- Allowing recoil to move tool away from work surface.
- Not resisting recoil such that tool will be forced back into the work surface. In "Contact Actuation Mode," if workpiece contact is allowed to re-contact work surface before the trigger is released, an unintended discharge of a fastener will occur.
- Keeping face and body parts away from tool.



WARNING: Disconnect tool:

- When not in use.
- When performing any maintenance or repairs,
- When clearing a jam.
- When elevating, lowering or otherwise moving tool to a new location.
- When tool is outside of the operator's supervision or control.
- When loading or removing fasteners from the magazine.



WARNING: When maintaining the tool:

- Always shut off air supply, and disconnect tool from air supply when not in use.
- When working on air tools note the warnings in this manual and use extra care when evaluating problem tools.

Additional Safety Warnings



WARNING: Do not use this product to fasten electrical cables. Fastening electric wires / cables could result in electric shock or serious harm.



WARNING: Make sure there are no electrical cables, gas pipes, etc. that could cause a hazard if damaged by use of the tool.



WARNING: This tool is not intended for use in potentially explosive atmospheres and is not insulated from coming into contact with electrical power.

- Use the DEWALT pneumatic tool only for the purpose for which it was designed.
- Do not use the tool as a hammer.

- Always carry the tool by the handle with hand off trigger/ triggers.
- Never lift, pull, lower, or carry the tool by the air hose.
- Whipping hoses can cause severe injury. Always check for damaged or loose hoses or fittings.
- Never direct compressed air at yourself or anyone else.
- Compressed air can cause severe injury.
- Do not alter or modify this tool from the original design or function without approval from DEWALT.
- Never clamp or tape the trigger in an actuated position.
- Ensure tool is always safely engaged on the workpiece and cannot slip.
- Never leave a tool unattended with the air hose attached.

TO PREVENT ACCIDENTAL INJURIES:

- Never place a hand or any other part of the body in fastener discharge area of tool while the air supply is connected.
- Never actuate the tool unless nose is directed at the work.
- Do not actuate the tool while loading.
- Keep hands and body parts away from the discharge area of the tool. While in use NEVER grasp the tool by the magazine or canister, a mis-driven fastener can exit the nose causing injury.

Additional Safety Information



WARNING: ALWAYS use safety glasses. Everyday eyeglasses are NOT safety glasses. Also use face or dust mask if cutting operation is dusty. ALWAYS WEAR CERTIFIED SAFETY EQUIPMENT:

- ANSI Z87.1 eye protection (CAN/CSA Z94.3),
- ANSI S12.6 (S3.19) hearing protection,
- NIOSH/OSHA/MSHA respiratory protection.



WARNING: Some dust created by power sanding, sawing, grinding, drilling, and other construction activities contains chemicals known to the State of California to cause cancer, birth defects or other reproductive harm. Some examples of these chemicals are:

- lead from lead-based paints,
- crystalline silica from bricks and cement and other masonry products, and
- arsenic and chromium from chemically-treated lumber.

Your risk from these exposures varies, depending on how often you do this type of work. To reduce your exposure to these chemicals: work in a well ventilated area, and work with approved safety equipment, such as those dust masks that are specially designed to filter out microscopic particles.

- **Avoid prolonged contact with dust from power sanding, sawing, grinding, drilling, and other construction activities. Wear protective clothing and wash exposed areas with soap and water.** Allowing dust to get into your mouth, eyes, or lay on the skin may promote absorption of harmful chemicals.

ENGLISH



WARNING: Use of this tool can generate and/or disperse dust, which may cause serious and permanent respiratory or other injury. Always use NIOSH/OSHA approved respiratory protection appropriate for the dust exposure. Direct particles away from face and body.



WARNING: Always wear proper personal hearing protection that conforms to ANSI S12.6 (S3.19) during use. Under some conditions and duration of use, noise from this product may contribute to hearing loss.



CAUTION: When not in use, place tool on its side on a stable surface where it will not cause a tripping or falling hazard. Some tools will stand upright but may be easily knocked over.

SAVE THESE INSTRUCTIONS FOR FUTURE USE

COMPONENTS (FIG. A)



WARNING: Never modify the pneumatic tool or any part of it. Damage or personal injury could result.

Refer to Figure A at the beginning of this manual for a complete list of components.

Intended Use

Your lathing stapler is designed for professional fastening applications.

DO NOT use under wet conditions or in presence of flammable liquids or gases.

This lathing stapler is a professional pneumatic tool.

DO NOT let children come into contact with the tool. Supervision is required when inexperienced operators use this tool.

TOOL SPECIFICATIONS

DW451S2

Description	1" Crown stapler
Operation pressure range	70–120 p.s.i.g. (4.9–8.5 kg/cm ²)
Fastener type	DEWALT and BOSTITCH 16S2 Series staples
Fastener gauge	16
Fastener range	1"–2"
Magazine capacity	140 staples
Length	14 1/2" (368 mm)
Width	3 1/8" (79 mm)
Height	10 3/4" (273 mm)
Weight	5.3 lbs (2.4 kg)

Tool Air Fitting

This tool uses a free-flow connector plug, 1/4" N.P.T. The minimum inside diameter should be .200" (5 mm). The fitting must be capable of discharging tool air pressure when disconnected from the air supply.

Operating Pressure

70–120 p.s.i.g. (4.9–8.5 kg/cm²). Select the operating pressure within this range for best fastener performance. **DO NOT EXCEED THIS RECOMMENDED OPERATING PRESSURE.**

Air Consumption

The DW451S2 requires 5.3 cubic feet per minute or C.F.M. (150 liters per minute or LT/MIN) of free air at 80 p.s.i.g. (5.6 kg/cm²) to operate at a rate of 100 fasteners per minute. To determine the appropriately sized air compressor, take the actual rate at which the tool will be run and compare the required C.F.M. (LT/MIN) to the compressors free air delivery (C.F.M./ LT/MIN) at 80 p.s.i.g. (5.6 kg/cm²).

For example, if your fastener usage averages 50 fasteners per minute, you need 50% of the tools C.F.M. required to operate the tool at the rate of 100 fasteners per minute. In this case, be sure that your air compressor can deliver a minimum of 2.7 C.F.M. (75 LT/MIN) at 80 p.s.i.g. (5.6 kg/cm²) for optimum performance.

FASTENER SPECIFICATIONS

DW451S2

Fastener	Gauge	Crown width	Length
DEWALT DW16S2-25GAL	16	1"	1"
DEWALT DW16S2-38GAL	16	1"	1 1/2"
BOSTITCH 16S2-25FG 10M	16	1"	1"
BOSTITCH 16S2-25SG 10M	16	1"	1"
BOSTITCH 16S2-31FG 10M	16	1"	1 1/4"
BOSTITCH 16S2-31SG 10M	16	1"	1 1/4"
BOSTITCH 16S2-38FG 10M	16	1"	1 1/2"
BOSTITCH 16S2-38SG 10M	16	1"	1 1/2"
BOSTITCH 16S2-44FG 10M	16	1"	1 3/4"
BOSTITCH 16S2-44SG 10M	16	1"	1 3/4"
BOSTITCH 16S2-50FG 10M	16	1"	2"
BOSTITCH 16S2-50SG 10M	16	1"	2"

ASSEMBLY AND ADJUSTMENTS



WARNING: To reduce the risk of serious personal injury, turn unit off and remove air supply before making any adjustments or removing/installing attachments or accessories. An accidental actuation can cause injury.

Adjustments and Usage Prep

Air Supply and Connections



WARNING: Do not use oxygen, combustible gases, or bottled gases as a power source for this tool as tool may explode, possibly causing injury.

Fittings

Install a male fitting on the tool which is free flowing and which will release air pressure from the tool when disconnected from the supply source.

Hoses

Air hoses should have a minimum of 150 p.s.i.g. (10.6 kg/cm²) working pressure rating or 150 percent of the maximum pressure that could be produced in the air

system. The supply hose should contain a fitting that will provide "quick disconnecting" from the male fitting on the tool.

Supply Source

Use only clean regulated compressed air as a power source for this tool. NEVER USE OXYGEN, COMBUSTIBLE GASES, OR BOTTLED GASES, AS A POWER SOURCE FOR THIS TOOL AS TOOL MAY EXPLODE.

Regulator

A pressure regulator with an operating pressure of 0–120 p.s.i.g. (0–8.5 kg/cm²) is required to control the operating pressure for safe operation of this tool. Do not connect this tool to air pressure which can potentially exceed 200 p.s.i.g. (14 kg/cm²) as tool may fracture or burst, possibly causing injury.

Operating Pressure

Do not exceed recommended maximum operating pressure as tool wear will be greatly increased. The air supply must be capable of maintaining the operating pressure at the tool. Pressure drops in the air supply can reduce the tool's driving power. Refer to **Tool Specifications** for setting the correct operating pressure for the tool.

Filter

Dirt and water in the air supply are major causes of wear in pneumatic tools. A filter will help to get the best performance and minimum wear from the tool. The filter must have adequate flow capacity for the specific installation. The filter has to be kept clean to be effective in providing clean compressed air to the tool. Consult the manufacturer's instructions on proper maintenance of your filter. A dirty and clogged filter will cause a pressure drop which will reduce the tool's performance.

OPERATION

WARNING: To reduce the risk of serious personal injury, turn unit off and remove air supply before making any adjustments or removing/installing attachments or accessories. An accidental actuation can cause injury.

Preparing the Tool

WARNING: Read the section titled **IMPORTANT SAFETY INSTRUCTIONS** at the beginning of this manual. Always wear proper eye [ANSI Z87.1 (CAN/CSA Z94.3)] and hearing protection [ANSI S12.6 (S3.19)] when operating this tool. Keep the tool pointed away from yourself and others. For safe operation, complete the following procedures and checks before each use of the fastener.

- Before you use the tool, be sure that the compressor tanks have been properly drained.
- Wear proper eye, hearing and respiratory protection.
- Remove all fasteners from the magazine.
- Check for smooth and proper operation of contact trip and pusher assemblies. Do not use tool if either assembly is not functioning properly. NEVER use a tool that has the contact trip restrained in the up position.

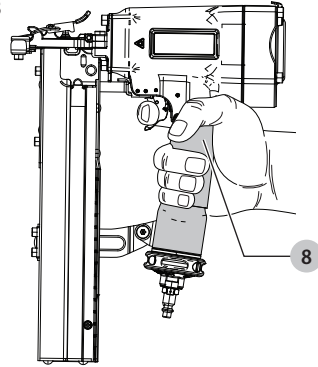
- Check air supply: Ensure air pressure does not exceed operating limits; 120 p.s.i.g., (8.5 kg/cm²).
- Connect air hose.
- Check for audible leaks around valves and gaskets. Never use a tool that leaks or has damaged parts.

Proper Hand Position (Fig. B)

WARNING: To reduce the risk of serious personal injury, ALWAYS use proper hand position as shown.

WARNING: To reduce the risk of serious personal injury, ALWAYS hold securely in anticipation of a sudden reaction.

Proper hand position requires one hand on the handle **8**.
Fig. B



Loading Fasteners (Fig. C)

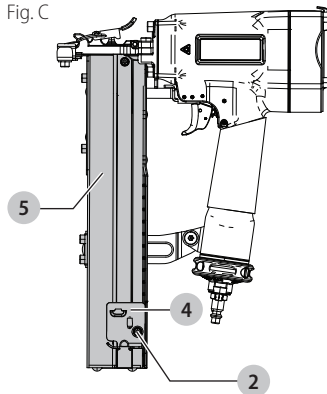
WARNING: Keep the tool pointed away from yourself and others. Serious personal injury may result.

WARNING: Never load fasteners with the contact trip or trigger activated. Personal injury may result.

WARNING: Always disconnect the tool from the air supply before making any adjustments or attempting any repairs to the tool.

1. Move pusher **4** to rear until latched. Cover will open. Pusher will be held in place by the pusher release **2**.
2. Drop fasteners over magazine **5** and slide forward. Repeat until magazine is loaded.
3. Pull pusher back slightly and depress pin detents. Allow pusher to slide forward over the pin detent.

Fig. C



Adjusting Depth (Fig. D)

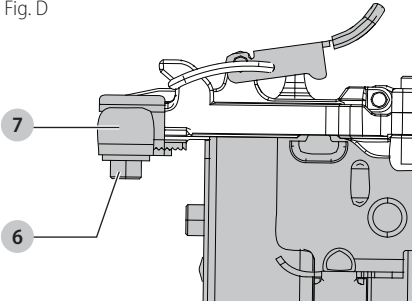
⚠ WARNING: To reduce risk of serious injury from accidental actuation when attempting to adjust depth, ALWAYS:

- Disconnect the tool from the air supply.
- Avoid contact with trigger during adjustments.

The fastener depth control adjustment feature provides control of the fastener drive depth from flush with or just above the work surface to shallow or deep countersink.

1. Loosen depth adjustment screw **6** with 4 mm hex key.
2. Move sliding shoe **7** down (away from magazine) to decrease the drive depth or up (toward the magazine) to increase the drive depth.
3. Tighten screw with 4 mm hex key.

Fig. D



Actuating Tool

⚠ WARNING: To reduce the risk of injury, Always wear proper eye [ANSI Z87.1 (CAN/CSA Z94.3)] and hearing protection [ANSI S12.6 (S3.19)] when operating this tool.

The tool can be actuated using one of two modes: sequential trip mode and contact trip mode.

Sequential Trip Operation (Fig. A)

The sequential trip mode gets its name from the “sequence” required to drive a fastener. To drive a fastener, the operator must first depress the “trip” FULLY against the work surface and then pull the trigger. To drive a second fastener, the operator must lift the tool from the work surface, release the trigger and then repeat the above sequence.

- **The Sequential Trip mode** offers a positive safety advantage since it will not accidentally drive a fastener if the tool is bumped against any surface or anybody while the operator is holding the tools with the trigger pulled.
- **The Sequential Trip mode** allows “place nailing” without the possibility of driving a second, unwanted fastener on recoil as described below under **Contact Trip Operation**.

Contact Trip Operation (Fig. A)

To drive a fastener, the “trip” and the trigger must both be depressed. In conventional contact trip tools, the trigger may be depressed and held, and each “contact” between the trip and the work surface will drive a fastener.

- **Single Fastener Placement (Place Fastening):** First position the “trip” FULLY on the work surface, WITHOUT PULLING THE TRIGGER. Depress the “trip” FULLY until the nose of the tool touches the work surface and then pull the trigger to drive a fastener. Do not press the tool against the work surface with extra force. Instead, allow the tool to recoil off the work surface to avoid a second unwanted fastener.

NOTE: Remove your finger from the trigger after each operation.

- **Rapid Fire Operation (“Bump” Fastening):** First, hold the tool with the “trip” pointing towards but not touching the work surface. Pull the trigger and then tap or “bump” the trip against the work surface using a bouncing motion. Each depression of the “trip” will cause a fastener to be driven.

⚠ WARNING: Do not keep trigger pulled when tool is not in use.

Clearing a Jam (Fig. E, F)

⚠ WARNING: Always disconnect air supply before clearing a jammed fastener.

On occasion fasteners can jam in the nose of a pneumatic stapler. This can be caused by striking a metal plate in the wall, drywall screw, or some other hard object. The DW451S2 stapler features open drive channel architecture for jam clearing. To clear a jam follow this procedure:

1. Disconnect the tool from the air supply.
2. Release the pusher so it is no longer applying force to the staples.
3. Open the jam clearing nose door **11** by pulling up on the tool free jam release **9**.

Fig. E

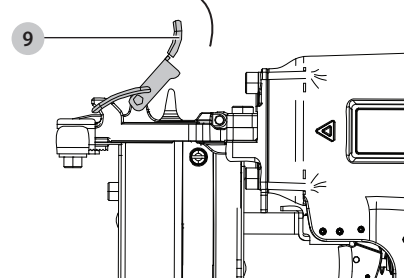
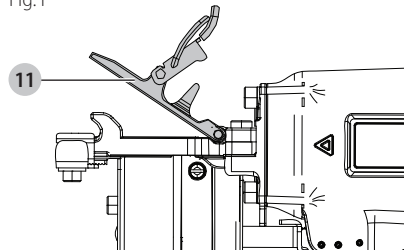




Fig. F




4. Remove the jammed fastener. In certain circumstances, pliers may be required to remove the fastener.
5. Close the tool free jam release.
6. Release nail pusher back behind staples.

Cold Weather Operation

 **WARNING:** To reduce the risk of serious personal injury, turn unit off and remove air supply before making any adjustments or removing/installing attachments or accessories. An accidental actuation can cause injury.

 **WARNING:** Do not store tools in a cold weather environment to prevent frost or ice formation on the tools operating valves and mechanisms that could cause tool failure.

 **WARNING:** Some commercial air line drying liquids are harmful to "O"-rings and seals—do not use these low temperature air dryers without checking compatibility.

When operating tools at temperatures below freezing:

1. Make sure compressor tanks have been properly drained prior to use.
2. Keep tool as warm as possible prior to use.
3. Make certain all fasteners have been removed from magazine.
4. Lower air pressure to 80 p.s.i.g. (5.7 kg/cm²) or less.
5. Reconnect air and load nails into magazine.
6. Turn pressure up to operating level (not to exceed 120 p.s.i.g. [8.5 kg/cm²]) and use tool as normal.
7. Always drain the compressor tanks at least once a day.


Hot Weather Operation

Tool should operate normally. However, keep tool out of direct sunlight as excessive heat can deteriorate bumpers, o-rings and other rubber parts resulting in increased maintenance.


MAINTENANCE

 **WARNING:** To reduce the risk of serious personal injury, turn unit off and remove air supply before making any adjustments or removing/installing attachments or accessories. An accidental actuation can cause injury.

Tool Operation Check (Fig. A)

 **WARNING:** Remove all fasteners from tool before performing tool operation check.

Contact Trip Operation


1. With finger off the trigger, press the contact trip  against the work surface. **THE TOOL MUST NOT CYCLE.**
2. Hold the tool off the work surface, and pull the trigger. **THE TOOL MUST NOT CYCLE.**
3. With the tool off the work surface, pull the trigger. Press the contact trip against the work surface. **THE TOOL MUST CYCLE.**
4. Without touching the trigger, press the contact trip against the work surface, then pull the trigger. **THE TOOL MUST CYCLE.**

Sequential Trip Operation

1. Press the contact trip against the work surface, without touching the trigger. **THE TOOL MUST NOT CYCLE.**


2. Hold the tool off the work surface and pull the trigger. **THE TOOL MUST NOT CYCLE.** Release the trigger. The trigger must return to the trigger stop on the frame.
3. Pull the trigger and press the contact trip against the work surface. **THE TOOL MUST NOT CYCLE.**
4. With finger off the trigger, press the contact trip against the work surface. Pull the trigger. **THE TOOL MUST CYCLE.**

Accessories

 **WARNING:** Since accessories, other than those offered by DEWALT, have not been tested with this product, use of such accessories with this tool could be hazardous. To reduce the risk of injury, only DEWALT recommended accessories should be used with this product.

Recommended accessories for use with your tool are available at extra cost from your local dealer or authorized service center. If you need assistance in locating any accessory, please contact DEWALT Industrial Tool Co., 701 East Joppa Road, Towson, MD 21286, call 1-800-4-DEWALT (1-800-433-9258) or visit our website: www.dewalt.com.

Repairs

 **WARNING:** To assure product SAFETY and RELIABILITY, repairs, maintenance and adjustment (including brush inspection and replacement, when applicable) should be performed by a DEWALT factory service center or a DEWALT authorized service center. Always use identical replacement parts.

Register Online

Thank you for your purchase. Register your product now for:

- **WARRANTY SERVICE:** Registering your product will help you obtain more efficient warranty service in case there is a problem with your product.
- **CONFIRMATION OF OWNERSHIP:** In case of an insurance loss, such as fire, flood or theft, your registration of ownership will serve as your proof of purchase.
- **FOR YOUR SAFETY:** Registering your product will allow us to contact you in the unlikely event a safety notification is required under the Federal Consumer Safety Act.

Register online at www.dewalt.com/register.

Seven Year Limited Warranty

DEWALT will repair, without charge, any defects due to faulty materials or workmanship for seven years from the date of purchase. This warranty does not cover part failure due to normal wear or tool abuse. For further detail of warranty coverage and warranty repair information, visit www.dewalt.com or call 1-800-4-DEWALT (1-800-433-9258). This warranty does not apply to accessories or damage caused where repairs have been made or attempted by others. THIS LIMITED WARRANTY IS GIVEN IN LIEU OF ALL OTHERS, INCLUDING THE IMPLIED WARRANTY OF MERCHANTABILITY AND FITNESS FOR A

ENGLISH

PARTICULAR PURPOSE, AND EXCLUDES ALL INCIDENTAL OR CONSEQUENTIAL DAMAGES. Some states do not allow limitations on how long an implied warranty lasts or the exclusion or limitation of incidental or consequential damages, so these limitations may not apply to you. This warranty gives you specific legal rights and you may have other rights which vary in certain states or provinces.

In addition to the warranty, DeWALT tools are covered by our:

1 YEAR FREE SERVICE

DeWALT will maintain the tool and replace worn parts caused by normal use, for free, any time during the first year after purchase.

90 DAY MONEY BACK GUARANTEE

If you are not completely satisfied with the performance of your DeWALT Power Tool, Laser, or Nailer for any reason, you can return it within 90 days from the date of purchase with a receipt for a full refund – no questions asked.

LATIN AMERICA: This warranty does not apply to products sold in Latin America. For products sold in Latin America, see country specific warranty information contained in the packaging, call the local company or see website for warranty information.

FREE WARNING LABEL REPLACEMENT: If your warning labels become illegible or are missing, call 1-800-4-DeWALT (1-800-433-9258) for a free replacement.

Troubleshooting

Problem	Cause	Correction
Trigger valve housing leaks air.	O-ring cut or cracked.	Replace O-ring.
Trigger valve stem leaks air.	O-ring/seals cut or cracked.	Replace trigger valve assembly.
Frame/nose leaks air.	Loose nose screws.	Tighten and recheck.
	O-ring or Gasket is cut or cracked.	Replace O-ring or gasket.
	Bumper cracked/worn.	Replace bumper.
Frame/cap leaks air.	Damaged gasket or seal.	Replace gasket or seal.
	Cracked/worn head valve bumper.	Replace bumper.
	Loose cap screws.	Tighten and recheck.
Failure to cycle.	Air supply restriction.	Check air supply equipment.
	Worn head valve O-rings.	Replace O-rings.
	Broken cylinder cap spring.	Replace cylinder cap spring.
	Head valve stuck in cap.	Disassemble/Check.
Lack of power; slow to cycle.	Broken cylinder cap spring.	Replace cap spring.
	O-rings/seals cut or cracked.	Replace O-rings/seals.
	Exhaust blocked .	Check bumper, head valve spring, muffler.
	Trigger assembly worn/leaks.	Replace trigger assembly.
	Dirt/tar build up on driver.	Disassemble nose/driver to clean.
	Cylinder sleeve not seated correctly on bottom bumper.	Disassemble to correct.
	Air pressure too low.	Check air supply equipment.
	Skipping fasteners; intermittent feed.	Worn bumper.
Tar/dirt in driver channel.		Disassemble and clean nose and driver.
Air restriction/inadequate air flow through quick disconnect socket and plug.		Replace quick disconnect fittings.
Worn piston O-ring.		Replace O-ring, check driver.
Damaged pusher spring.		Replace spring.
Low air pressure.		Check air supply system to tool.
Loose magazine nose screws.		Tighten all screws.
Fasteners too short for tool.		Use only recommended fasteners.
Bent fasteners.		Discontinue using these fasteners.
Wrong size fasteners.		Use only recommended fasteners.
Leaking head cap gasket.		Tighten screws/replace gasket.
Trigger valve O-ring cut/worn.		Replace O-ring.
Broken/chipped driver.		Replace driver (check piston O-ring).
Worn magazine.		Replace magazine.
Fasteners jam in tool.	Driver channel worn.	Replace nose/check door.
	Wrong size fasteners.	Use only recommended fasteners.
	Bent fasteners.	Discontinue using these fasteners.
	Loose magazine/nose screws.	Tighten all screws.
	Broken/chipped driver.	Replace driver.

Définitions : symboles et termes d'alarmes sécurité

Ces guides d'utilisation utilisent les symboles et termes d'alarmes sécurité suivants pour vous prévenir de situations dangereuses et de risques de dommages corporels ou matériels.

! **DANGER** : indique une situation dangereuse imminente qui, si elle n'est pas évitée, **entraînera la mort ou des blessures graves**.

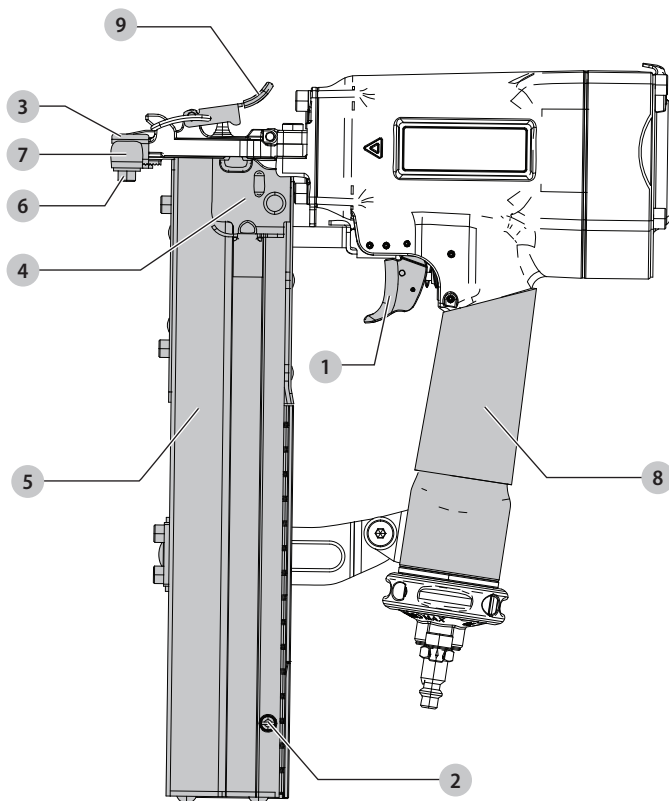
! **AVERTISSEMENT** : indique une situation potentiellement dangereuse qui, si elle n'est pas évitée, **pourrait entraîner la mort ou des blessures graves**.

! **ATTENTION** : indique une situation potentiellement dangereuse qui, si elle n'est pas évitée, **pourrait entraîner des blessures légères ou modérées**.

! (Si utilisé sans aucun terme) Indique un message propre à la sécurité.

AVIS : indique une pratique ne posant **aucun risque de dommages corporels** mais qui par contre, si rien n'est fait pour l'éviter, **pourrait poser des risques de dommages matériels**.

Fig. A



- 1 Gâchette
- 2 Déclencheur du poussoir
- 3 Déclencheur par contact
- 4 Poussoir
- 5 Magasin
- 6 Vis d'ajustement de la profondeur
- 7 Patin glissant
- 8 Poignée
- 9 Dégagement du bourrage sans outils

! **AVERTISSEMENT** : lire tous les avertissements de sécurité et toutes les directives. Le non-respect des avertissements et des directives pourrait se solder par un choc électrique, un incendie et/ou une blessure grave.

! **AVERTISSEMENT** : afin de réduire le risque de blessures, lire le mode d'emploi de l'outil.

Pour toute question ou remarque au sujet de cet outil ou de tout autre outil DEWALT, composez le numéro sans frais : 1-800-4-DEWALT (1-800-433-9258).

CONSIGNES IMPORTANTES DE SÉCURITÉ



AVERTISSEMENT : seulement les personnes ayant lu et compris les instructions de fonctionnement/sécurité de l'outil doivent utiliser l'outil.



AVERTISSEMENT : l'outil actionné pourrait projeter des débris, de la colle d'assemblage ou de la poussière, qui peuvent tous provoquer des lésions oculaires à l'opérateur. L'opérateur et les autres personnes œuvrant dans la zone de travail DOIVENT porter des lunettes de sécurité munies de protecteurs latéraux. Ces lunettes de sécurité doivent être conformes à la norme ANSI Z87.1 (les lunettes approuvées portent l'inscription imprimée ou estampillée « Z87 »). L'employeur est responsable d'exiger l'utilisation de l'équipement de protection oculaire par l'utilisateur de l'outil et toutes les autres personnes dans l'aire de travail.



AVERTISSEMENT : toujours présumer que l'outil contient des attaches.



AVERTISSEMENT : (Air et alimentation)

- Ne pas utiliser de l'oxygène, des gaz combustibles ou des gaz en bouteilles comme source d'alimentation pour cet outil puisque l'outil peut exploser, causant possiblement une blessure.
- Ne pas utiliser de sources d'alimentation qui peuvent potentiellement excéder 14 kg/cm² (200 p.s.i.g.) puisque l'outil peut éclater, causant possiblement une blessure.
- Le connecteur sur l'outil ne doit pas maintenir la pression si l'alimentation de l'air est déconnectée. Si un mauvais raccord est utilisé, l'outil peut demeurer chargé avec de l'air après la déconnexion et par conséquent sera en mesure d'enfoncer une fixation même une fois que la conduite d'air est déconnectée causant possiblement une blessure.
- Ne pas appuyer sur la gâchette pendant que l'outil est connecté à l'alimentation de l'air puisqu'il peut s'enclencher, causant possiblement une blessure.
- Déconnectez toujours l'alimentation de l'air : 1.) Avant de faire des ajustements; 2.) Lorsque vous entretenez l'outil; 3.) Lorsque vous retirez un bourrage; 4.) Lorsque vous n'utilisez pas l'outil; 5.) Lorsque vous vous déplacez dans une aire de travail différente, puisqu'un déclenchement accidentel peut se produire, causant possiblement une blessure. 6.) Lorsque vous chargez l'outil.



AVERTISSEMENT : lorsque vous chargez l'outil :

- Déconnectez l'alimentation de l'air.
- Ne jamais placer une main ou toute autre partie du corps dans la zone de sortie des fixations de l'outil.
- Ne jamais pointer l'outil vers vous ou toute autre personne.
- Ne pas appuyer sur la gâchette puisqu'un déclenchement accidentel peut se produire, causant possiblement une blessure.

- Soyez prudent lorsque vous manipulez des fixations, particulièrement lors du chargement et du déchargement puisque les fixations ont des bouts pointus.



AVERTISSEMENT : ne pas utiliser l'outil si :

- Si le tuyau d'air ou le raccord est endommagé.
- L'outil a une fuite d'air.
- L'outil a reçu un coup sec, s'il fonctionne mal, s'il a été échappé ou s'il est endommagé de quelque manière. Retournez l'outil à l'établissement de service autorisé le plus près pour une inspection, une réparation ou un ajustement mécanique.
- Les étiquettes d'avertissements sont manquantes ou endommagées.
- L'outil n'est pas en bon état de fonctionnement. Des repères et une séparation physique doivent être utilisés pour le contrôle.
- L'outil n'est pas en contact avec la pièce à travailler. Un outil sans contact avec la pièce à travailler peut être tiré par inadvertance blessant un utilisateur ou un passant.



AVERTISSEMENT : lorsque vous utilisez l'outil :

- Manipulez toujours l'outil avec soin :
 - Ne jamais faire des plaisanteries.
 - Ne jamais appuyer sur la gâchette à moins que le nez soit dirigé vers le travail.
 - Ne jamais pointer l'outil vers vous ou d'autres personnes.
 - Gardez les autres personnes à une distance sécuritaire de l'outil pendant que vous l'utilisez puisqu'un déclenchement accidentel peut se produire, causant possiblement une blessure.
 - Gardez les passants et les enfants éloignés lorsque vous utilisez l'outil.
 - Respectez l'outil comme un instrument de travail.
 - Demeurez alerte, concentré sur votre travail et faites preuve de bon sens lorsque vous travaillez avec des outils.
 - Ne pas utiliser l'outil lorsque vous êtes fatigué, après avoir consommé des drogues ou de l'alcool ou si vous prenez des médicaments.
 - Ne pas trop s'étirer. Utilisez seulement dans un lieu de travail sécuritaire.
 - Maintenez vos pieds bien daplomb sur le sol en tout temps.
- Enfoncez les fixations dans une surface de travail seulement.
- Lorsque vous travaillez près du bord de la pièce à travailler ou dans des angles prononcés, faites attention afin de minimiser l'écaillage, le fractionnement, l'éclatement ou la chute libre ou le ricochet des fixations, qui peuvent causer une blessure.
- Ne pas enfoncer des fixations au-dessus d'autres fixations ou avec l'outil à un angle beaucoup trop

prononcé puisque cela peut causer la déviation des fixations qui pourrait causer une blessure.

- Ne pas charger l'outil avec des fixations lorsqu'une des commandes de fonctionnement est activée.
- Soyez très prudent lorsque vous enfoncez les fixations dans les murs existants ou d'autres zones cachées afin de prévenir le contact avec des objets cachés ou des personnes de l'autre côté (par ex., fils, tuyaux)
- L'utilisateur doit ne pas appuyer sur la gâchette sauf durant la fixation puisque cela pourrait causer une blessure grave si l'outil entre accidentellement en contact avec quelqu'un ou quelque chose, causant l'enclenchement de l'outil.
- Gardez vos mains et votre corps à l'écart de la zone de sortie de l'outil. L'outil peut rebondir en raison du recul de l'enfoncement d'une fixation et une deuxième fixation non désirée peut être possiblement enfoncée causant une blessure.
- Vérifiez régulièrement l'utilisation du mécanisme de la gâchette. Ne pas utiliser l'outil si la gâchette ne fonctionne pas bien puisque cela peut entraîner le déclenchement accidentel d'une fixation. Ne pas nuire au bon fonctionnement du mécanisme de la gâchette.
- Ne jamais saisir ou appuyer sur la gâchette par inadvertance lorsque vous vous déplacez, lorsque vous changez de lieu de travail, lorsque vous rangez ou suspendez l'outil, ou lorsque vous préparez la surface de travail pour la fixation.
- Cet outil produit des ÉTINCELLES durant l'utilisation. NE JAMAIS utiliser l'outil près de substances, de gaz ou vapeurs inflammables, incluant le vernis, la peinture, la benzine, le diluant, l'essence, les adhésifs, les mastics, les colles ou toute autre matière qui est (ou dont les vapeurs, la fumée ou les sous-produits sont) inflammables, combustibles ou explosifs. L'utilisation de l'agrafeuse dans un tel environnement pourrait causer une EXPLOSION entraînant une blessure corporelle ou la mort de l'utilisateur et des passants.



AVERTISSEMENT : après avoir enfoncé une fixation, l'outil peut rebondir (« reculer ») causant son déplacement de la surface de travail. Afin de réduire le risque de blessure, gérez toujours le recul en :

- Maintenant toujours le contrôle de l'outil.
- Permettant un recul afin de retirer l'outil de la surface de travail.
- Ne résistant pas au recul de manière à ce que l'outil soit forcé de retourner à la surface de travail. En « mode Activation par contact », si le contact avec la pièce à travailler est permis pour entrer à nouveau en contact avec la surface de travail avant que la gâchette soit relâchée, une sortie inattendue d'une fixation se produira.

- Gardez votre visage et les parties de votre corps hors de portée de l'outil.



AVERTISSEMENT : débranchez l'outil :

- Lorsque vous ne l'utilisez pas.
- Lorsque vous effectuez un entretien ou des réparations.
- Lorsque vous retirez un bourrage.
- Lorsque vous montez, baissez ou déplacez autrement l'outil vers un nouvel emplacement.
- Lorsque l'outil n'est pas sous la supervision ou le contrôle de l'utilisateur.
- Lorsque vous chargez ou retirez des fixations du magasin.



AVERTISSEMENT : lorsque vous entreprenez l'outil :

- Éteignez toujours l'alimentation de l'air et déconnectez l'outil de l'alimentation de l'air lorsqu'il n'est pas utilisé.
- Lorsque vous travaillez avec des outils pneumatiques, notez les avertissements dans ce guide et soyez très prudent lorsque vous évaluez les outils ayant des problèmes.

Avertissements de sécurité supplémentaires



AVERTISSEMENT : ne pas utiliser ce produit pour fixer des câbles électriques. La fixation de fils/câbles électriques pourrait entraîner un choc électrique ou des dommages graves.



AVERTISSEMENT : assurez-vous qu'il n'y a aucun câble électrique, tuyau de gaz, etc. qui pourrait entraîner un danger s'il est endommagé par l'utilisation de l'outil.



AVERTISSEMENT : cet outil n'est pas conçu pour être utilisé dans des atmosphères potentiellement explosives et n'est pas isolé pour pouvoir entrer en contact avec l'alimentation électrique.

- Utilisez cet outil pneumatique DEWALT seulement aux fins pour lesquelles il a été conçu.
- Ne pas utiliser l'outil comme un marteau.
- Transportez toujours l'outil par la poignée sans la main sur la/les gâchette(s).
- Ne jamais soulever, tirer, abaisser ou transporter l'outil par le tuyau d'air.
- Des outils fouettant peuvent causer une blessure grave. Vérifiez toujours si les tuyaux ou les raccords sont endommagés ou desserrés.
- Ne jamais diriger l'air comprimé vers vous ou toute autre personne.
- L'air comprimé peut causer une blessure grave.
- Ne pas altérer ou modifier cet outil de sa conception ou de sa fonction originale sans autorisation préalable du DEWALT.
- Ne jamais pincer ou toucher à la gâchette en position activée.

- Assurez-vous que l'outil est enclenché de façon sécuritaire sur la pièce à travailler et qu'il ne peut glisser.
- Ne jamais laisser un outil sans surveillance avec le tuyau d'air fixé.

AFIN DE PRÉVENIR LES BLESSURES ACCIDENTELLES :

- Ne jamais placer une main ou toute autre partie du corps dans la zone de sortie des fixations de l'outil si l'alimentation de l'air est connectée.
- Ne jamais activer l'outil à moins que le nez soit dirigé vers le travail.
- Ne pas activer l'outil lorsque vous le chargez.
- Gardez vos mains et autres parties de votre corps hors de la ligne de décharge de l'outil. Lors du travail, ne JAMAIS agripper l'outil par son magasin ou sa bonbonne; une fixation non éjecté pourrait être relâché et causer des blessures.

Consigne de sécurité supplémentaire

AVERTISSEMENT : porter **SYSTÉMATIQUEMENT** des lunettes de protection. Les lunettes courantes NE sont PAS des lunettes de protection. Utiliser aussi un masque antipoussières si la découpe doit en produire beaucoup. **PORTER SYSTÉMATIQUEMENT UN ÉQUIPEMENT DE SÉCURITÉ HOMOLOGUÉ :**

- Protection oculaire ANSI Z87.1 (CAN/CSA Z94.3) ;
- Protection auditive ANSI S12.6 (S3.19) ;
- Protection des voies respiratoires NIOSH/OSHA/MSHA.

AVERTISSEMENT : les scies, meules, ponceuses, perceuses ou autres outils de construction peuvent produire des poussières contenant des produits chimiques reconnus par l'État californien pour causer cancers, malformations congénitales ou être nocifs au système reproducteur. Parmi ces produits chimiques, on retrouve :

- Le plomb dans les peintures à base de plomb ;
- La silice cristallisée dans les briques et le ciment, ou autres produits de maçonnerie ; et
- L'arsenic et le chrome dans le bois ayant subi un traitement chimique.

Le risque associé à de telles expositions varie selon la fréquence à laquelle on effectue ces travaux. Pour réduire toute exposition à ces produits : travailler dans un endroit bien aéré, en utilisant du matériel de sécurité homologué, tel un masque antipoussières spécialement conçu pour filtrer les particules microscopiques.

- **Limiter toute exposition prolongée avec les poussières provenant du ponçage, sciage, meulage, perçage ou toute autre activité de construction. Porter des vêtements de protection et nettoyer à l'eau savonneuse les parties du corps exposées.** Le fait de laisser la poussière pénétrer dans la bouche, les yeux ou la peau peut favoriser l'absorption de produits chimiques dangereux.

AVERTISSEMENT : cet outil peut produire et/ou répandre de la poussière susceptible de causer

des dommages sérieux et permanents au système respiratoire. Utiliser systématiquement un appareil de protection des voies respiratoires homologué par le NIOSH ou l'OSHA. Diriger les particules dans le sens opposé au visage et au corps.



AVERTISSEMENT : pendant l'utilisation, porter systématiquement une protection auditive individuelle adéquate homologuée ANSI S12.6 (S3.19). Sous certaines conditions et suivant la durée d'utilisation, le bruit émanant de ce produit pourrait contribuer à une perte de l'acuité auditive.



ATTENTION : après utilisation, ranger l'outil sur son côté, sur une surface stable, là où il ne pourra ni faire trébucher ni faire chuter quelqu'un. Certains outils peuvent tenir à la verticale, mais manquent alors de stabilité.

CONSERVER CES CONSIGNES POUR UTILISATION ULTÉRIEURE

DESCRIPTION (FIG. A)



AVERTISSEMENT : ne jamais modifier l'outil pneumatique ni aucun de ses composants, car il y a risques de dommages corporels ou matériels.

Reportez-vous en Figure A au début de ce manuel pour obtenir la liste complète des composants.

Usage prévu

Votre agrafeuse pour lattage est conçue pour des applications professionnelles.

NE PAS les utiliser en milieu ambiant humide ou en présence de liquides ou de gaz inflammables.

Cette agrafeuse pour lattage est un outil pneumatique professionnel.

NE PAS le laisser à la portée des enfants. Une supervision est nécessaire auprès de tout utilisateur non expérimenté.

SPÉCIFICATIONS DE L'OUTIL

DW451S2	
Description	Agrafeuse à couronne 1 po
Plage de pression de fonctionnement	4,9–8,5 kg/cm ² (70–120 p.s.i.g.)
Type de fixations	Agrafes de série 16S2 DeWALT et BOSTITCH
Calibre de fixations	16
Plage de fixations	1 po–2 po
Capacité du magasin	140 agrafes
Longueur	368 mm (14 1/2 po)
Largeur	79 mm (3 1/8 po)
Hauteur	273 mm (10 3/4 po)
Poids	2,4 kg (5,3 lbs)

Raccord pneumatique de l'outil

Cet outil utilise une fiche de connecteur à débit continu 1/4 po N.P.T. Le diamètre intérieur minimum doit être de 5 mm (0,200 po). Le raccord doit pouvoir évacuer la pression d'air de l'outil lorsqu'il déconnecté de l'alimentation de l'air.

FRANÇAIS

Pression de fonctionnement

4,9 à 8,5 kg/cm² (70 à 120 p.s.i.g.) Sélectionnez la pression de fonctionnement dans cette plage pour une meilleure performance de la fixation. NE PAS EXCÉDER CETTE PRESSION DE FONCTIONNEMENT RECOMMANDÉE.

Consommation de l'air

Le modèle DW451S2 nécessite 150 litres par minute ou l/min (5,3 pieds par minute ou pi³/min) d'air libre à 5,6 kg/cm² (80 p.s.i.g.) pour fonctionner à un taux de 100 fixations par minute. Pour déterminer le compresseur d'air de taille appropriée, prenez le taux actuel auquel l'outil fonctionnera et comparez les pi³/min (l/min) à la livraison de l'air libre des compresseurs (pi³/min l/min) à 5,6 kg/cm² (80 p.s.i.g.).

Par exemple, si votre utilisation des fixations s'établit en moyenne à 50 fixations par minute, vous avez besoin de 50 % du pi³/min de l'outil requis pour utiliser l'outil à un taux de 100 fixations par minute. Dans ce cas, assurez-vous que le compresseur d'air peut livrer un minimum de 75 l/min (2,7 pi³/min) à 5,6 kg/cm² (80 p.s.i.g.) pour une performance optimale.

CARACTÉRISTIQUES DES FIXATIONS

DW451S2

Fixation	Calibre	Largeur de couronne	Longueur
DEWALT DW16S2-25GAL	16	1 po	1 po
DEWALT DW16S2-38GAL	16	1 po	1 1/2 po
BOSTITCH 16S2-25FG 10M	16	1 po	1 po
BOSTITCH 16S2-25SG 10M	16	1 po	1 po
BOSTITCH 16S2-31FG 10M	16	1 po	1 1/4 po
BOSTITCH 16S2-31SG 10M	16	1 po	1 1/4 po
BOSTITCH 16S2-38FG 10M	16	1 po	1 1/2 po
BOSTITCH 16S2-38SG 10M	16	1 po	1 1/2 po
BOSTITCH 16S2-44FG 10M	16	1 po	1 3/4 po
BOSTITCH 16S2-44SG 10M	16	1 po	1 3/4 po
BOSTITCH 16S2-50FG 10M	16	1 po	2 po
BOSTITCH 16S2-50SG 10M	16	1 po	2 po

ASSEMBLAGE ET AJUSTEMENTS



AVERTISSEMENT : afin de réduire le risque de blessure corporelle, éteignez l'appareil et déconnectez la source d'alimentation de l'air, avant d'effectuer tout ajustement ou de retirer/installer des pièces ou des accessoires. Un déclenchement accidentel du démarrage peut causer des blessures.

Ajustements et préparation de l'utilisation

Connexions et alimentation de l'air



AVERTISSEMENT : n'utilisez pas d'oxygène, de gaz combustibles, ou de gaz en bouteille comme source d'alimentation pour cet outil car l'outil risque d'exploser, pouvant provoquer des blessures corporelles.

Raccords

Installez un raccord mâle sur l'outil non obstrué et qui évacue la pression d'air de l'outil lorsqu'il est déconnecté de la source d'alimentation.

Flexibles

Les flexibles pneumatiques doivent avoir une pression de service nominale minimale de 10,6 kg/cm² (150 p.s.i.g.) ou 150 pour cent de la pression maximale pouvant être produite par le système. Le tuyau d'alimentation doit comporter un raccord qui offre une « déconnexion rapide » du connecteur mâle sur l'outil.

Source d'alimentation

N'utilisez que de l'air comprimé régulé propre comme source d'alimentation pour cet outil. N'UTILISEZ JAMAIS D'OXYGÈNE, DE GAZ COMBUSTIBLES, OU DE GAZ EN BOUTEILLE COMME SOURCE D'ALIMENTATION POUR CET OUTIL CAR IL RISQUE D'EXPLOSER.

Régulateur

Un régulateur de pression avec une pression de service de 0–8,5 kg/cm² (0–120 p.s.i.g.) est requis pour contrôler la pression de service pour une utilisation de l'outil en toute sécurité. Ne connectez jamais cet outil à une pression pneumatique pouvant dépasser 14 kg/cm² (200 p.s.i.g.) car l'outil peut se fracturer ou exploser, pouvant provoquer des blessures corporelles.

Pression de service

Ne dépassez pas la pression de service maximale recommandée car cela augmentera considérablement l'usure de l'outil. L'alimentation d'air doit être capable de maintenir la pression de service vers l'outil. Des chutes de pression dans l'alimentation d'air peuvent réduire la puissance d'expulsion de l'outil. Consultez les **Spécifications de l'outil** pour régler la bonne pression de service pour l'outil.

Filtre

Les impuretés et l'eau présentes dans l'alimentation d'air sont des causes majeures de l'usure des outils pneumatiques. Un filtre aide à obtenir les meilleures performances et une usure minimale de l'outil. Le filtre doit avoir une capacité de débit adéquate pour l'installation spécifique. Le filtre doit être maintenu dans un bon état de propreté pour fournir efficacement de l'air comprimé propre à l'outil. Consultez les instructions du fabricant pour le bon entretien de votre filtre. Un filtre sale et bouché provoque une chute de pression qui aura pour effet de réduire les performances de l'outil.

UTILISATION



AVERTISSEMENT : afin de réduire le risque de blessure corporelle, éteignez l'appareil et déconnectez la source d'alimentation de l'air, avant d'effectuer tout ajustement ou de retirer/ installer des pièces ou des accessoires. Un déclenchement accidentel du démarrage peut causer des blessures.

Préparer l'outil



AVERTISSEMENT : lisez la section intitulée **CONSIGNES IMPORTANTES DE SÉCURITÉ**. Portez toujours une protection oculaire [ANSI Z87.1 (CAN/ CSA Z94.3)] et auditive [ANSI S12.6 (S3.19)] appropriée lorsque vous utilisez l'outil. Ne pas diriger l'outil vers vous ou d'autres personnes. Pour une utilisation sécuritaire, effectuez les procédures suivantes et vérifiez la fixation avant chaque utilisation.

- Avant l'utilisation de l'outil, assurez-vous que les réservoirs des compresseurs sont bien vidés.
- Portez une protection oculaire, auditive et respiratoire.
- Retirez toutes les fixations du magasin.
- Assurez-vous que le déclencheur par contact et les poussoirs fonctionnent bien. Ne pas utiliser si endommagé ou ne fonctionne pas bien. NE JAMAIS utiliser un outil qui a le déclencheur par contact retenu en position élevée.
- Vérifiez l'alimentation de l'air : Assurez-vous que la pression de l'air n'excède pas les limites de fonctionnement; 8,5 kg/cm² (120 p.s.i.g.).
- Connectez le tuyau d'air.
- Vérifiez s'il y a des fuites audibles autour des valves et des joints d'étanchéité. Ne jamais utiliser un outil qui fuit ou qui des pièces endommagées.

Position correcte des mains (Fig. B)



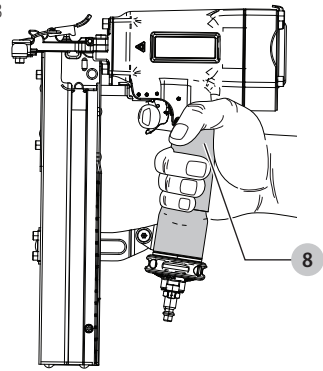
AVERTISSEMENT : pour réduire tout risque de dommages corporels graves, adopter **SYSTÉMATIQUEMENT** la position des mains illustrée.



AVERTISSEMENT : pour réduire tout risque de dommages corporels graves, maintenir **SYSTÉMATIQUEMENT** l'outil fermement pour anticiper toute réaction soudaine.

La position des mains adéquate nécessite une main sur la poignée 8.

Fig. B



Chargement de fixations (Fig. C)



AVERTISSEMENT : l'utilisateur ne doit pas pointer l'outil dans sa direction ou celle d'autres personnes. Autrement, il pourrait survenir un accident entraînant des blessures graves.



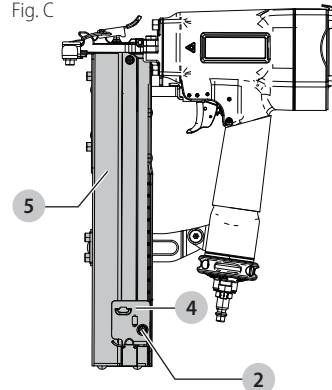
AVERTISSEMENT : ne jamais charger les attaches lorsque le déclencheur par contact ou la détente sont actionnés. Autrement, il pourrait survenir un accident entraînant des blessures.



AVERTISSEMENT : toujours débrancher l'outil de l'approvisionnement en air avant d'effectuer tout réglage ou de réparer l'outil.

1. Déplacez le poussoir 4 vers l'arrière jusqu'il soit verrouillé. Le capot s'ouvrira. Le poussoir sera maintenu en place par le déclencheur du poussoir 2.
2. Déposez les fixations sur le magasin 5 et glissez vers l'avant. Répétez jusqu'à ce que le magasin soit chargé.
3. Tirez légèrement le poussoir vers l'arrière et appuyez sur les crans de la tige. Laissez le poussoir glisser vers l'avant sur le cran de la tige.

Fig. C



Réglage de la profondeur (Fig. D)



AVERTISSEMENT : pour réduire les risques de blessures graves par actionnement accidentel de l'outil lorsqu'on tente de régler la profondeur, **TOUJOURS** :

- Débrancher la source d'alimentation d'air de l'outil.

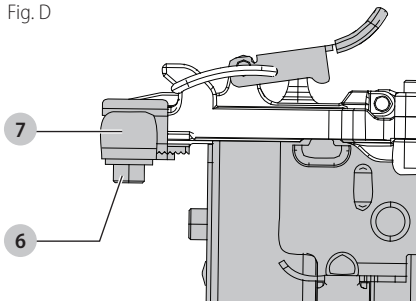
FRANÇAIS

- Éviter tout contact avec la détente lors des réglages.

La fonction d'ajustement du contrôle de la profondeur des fixations permet de contrôler la profondeur d'enfoncement des fixations égale ou juste au-dessus de la surface de travail pour fraiser à faible ou grande profondeur.

1. Dévissez la vis d'ajustement de la profondeur **6** avec une clé hexagonale 4 mm.
2. Déplacez le patin glissant **7** vers le bas (loin du magasin) pour diminuer la profondeur d'enfoncement ou vers le haut (vers le magasin) pour augmenter la profondeur d'enfoncement.
3. Vissez la vis avec la clé hexagonale 4 mm.

Fig. D



Actionnement de l'outil

AVERTISSEMENT : pour réduire le risque de blessures, toujours porter une protection oculaire [ANSI Z87.1 (CAN/CSA Z94.3)] ainsi qu'une protection auditive appropriées [ANSI S12.6 (S3.19)] lors de l'utilisation de cet outil.

L'outil peut être activé à l'aide d'un des deux modes : le mode Déclencheur séquentiel ou le mode Déclencheur par contact.

Fonctionnement du déclencheur séquentiel (Fig. A)

Le mode déclencheur séquentiel tient son nom de la « séquence » requise pour enfoncer une fixation. Pour enfoncer une fixation, l'utilisateur doit d'abord appuyer COMPLÈTEMENT le « déclencheur » contre la surface de travail, puis appuyer sur la gâchette. Pour enfoncer une deuxième fixation, l'utilisateur doit lever l'outil de la surface de travail, relâcher la gâchette, puis répéter la séquence ci-dessus.

- Le mode Déclencheur séquentiel offre un avantage de sécurité positif puisqu'il n'enfoncera pas accidentellement une fixation si l'outil est cogné contre toute surface ou toute personne pendant que l'utilisateur maintient la gâchette.
- Le mode Déclencheur par contact permet de « placer le clouage » sans la possibilité d'enfoncer une deuxième fixation non désirée à recul comme décrit dans **Fonctionnement du déclencheur par contact.**

Fonctionnement du déclencheur par contact (Fig. A)

Pour enfoncer une fixation, vous devez appuyer à la fois sur le « déclencheur » et la gâchette. Pour les outils à déclencheur par contact conventionnel, vous devez appuyer et maintenir la gâchette et chaque contact entre le déclencheur et la surface de travail enfoncera une fixation.

- **Mise en place d'une seule fixation (placer une fixation) :** Placez d'abord COMPLÈTEMENT le « déclencheur » sur la surface de travail, SANS APPUYER SUR LA GÂCHETTE. Appuyez COMPLÈTEMENT sur le « déclencheur » jusqu'à ce que le nez de l'outil touche la surface de travail, puis appuyez sur la gâchette pour enfoncer une fixation. Ne pas appuyer l'outil contre la surface de travail avec trop de force. Laissez plutôt l'outil reculer de la surface de travail afin d'éviter une deuxième fixation non désirée.
- REMARQUE :** Retirez votre doigt de la gâchette après chaque utilisation.
- **Fonctionnement du tir rapide (Fixation « par coup ») :** Tout d'abord, tenez l'outil avec le déclencheur pointé vers la surface de travail, mais sans la toucher. Appuyez sur la gâchette, puis touchez ou « cognez » le déclencheur contre la surface de travail à l'aide d'un mouvement de rebondissement. Chaque fois que vous appuyez sur le « déclencheur », cela causera l'enfoncement d'une fixation.

AVERTISSEMENT : ne pas maintenir la gâchette appuyée lorsque l'outil n'est pas utilisé.

Retirer une obstruction (Fig. E, F)

AVERTISSEMENT : déconnectez toujours l'alimentation de l'air avant de retirer une fixation bloquée.

À l'occasion, les fixations peuvent se bloquer dans le nez de la grafeuse pneumatique. Cela peut être causé en frappant une plaque de métal dans un mur, une vis murale ou certains autres objets durs. L'agrafeuse DW451S2 comporte une architecture de canaux d'entraînement ouverts pour retirer l'obstruction. Pour retirer une obstruction, suivez cette procédure :

1. Déconnectez l'outil de l'alimentation de l'air.
2. Relâchez le poussoir afin qu'il n'applique plus de force sur les agrafes.
3. Ouvrez la porte du nez pour retirer l'obstruction **11** en tirant sur le dégagement de l'obstruction sans outils **9**.

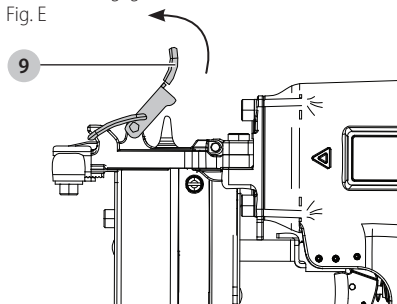
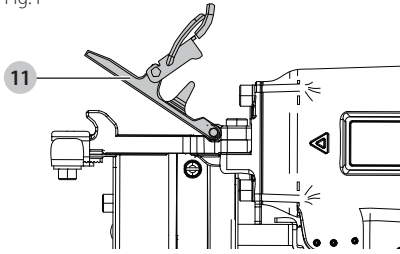


Fig. F



- Retirez la fixation bloquée. Dans certaines circonstances, une pince peut être requise pour retirer les fixations.
- Fermez le dégagement de l'obstruction sans outils.
- Remettez le pousoir de clous derrière les agrafes.

Fonctionnement par temps froid

AVERTISSEMENT : afin de réduire le risque de blessure corporelle, éteignez l'appareil et déconnectez la source d'alimentation de l'air, avant d'effectuer tout ajustement ou de retirer/ installer des pièces ou des accessoires. Un déclenchement accidentel du démarrage peut causer des blessures.

AVERTISSEMENT : pour prévenir la formation de glace sur les soupapes et mécanismes des outils, pouvant prévenir leur bon fonctionnement, ne pas les entreposer dans un environnement froid.

AVERTISSEMENT : certains liquides commerciaux d'assèchement de conduites d'air sont dommageables aux joints d'étanchéité et aux joints toriques. Ne pas utiliser ces produits pour basses températures sans avoir vérifié leur compatibilité.

Lors de l'utilisation d'outils à des températures sous le point de congélation, il faut :

- S'assurer que les réservoirs du compresseur ont été correctement purgés de les utiliser.
- Tenir l'outil le plus possible au chaud avant l'utilisation.
- S'assurer que toutes les agrafes ont été retirées du chargeur.
- Abaisser la pression d'air à 5,7 kg/cm² (80 p.s.i.g.) ou moins.
- Rebrancher la source d'alimentation en air et recharger les clous dans le chargeur.
- Remettre la pression à son niveau fonctionnel (ne pas excéder 8,5 kg/cm² [120 p.s.i.g.]) et utiliser l'outil normalement.
- Toujours purger les réservoirs du compresseur au moins une fois par jour.

Fonctionnement par temps chaud

L'outil devrait fonctionner normalement. Toutefois, le protéger de la lumière directe du soleil, car la chaleur excessive risque de détériorer les amortisseurs, les joints toriques et les autres composants en caoutchouc et se traduit par un accroissement de l'entretien.

MAINTENANCE

AVERTISSEMENT : afin de réduire le risque de blessure corporelle, éteignez l'appareil et déconnectez la source d'alimentation de l'air, avant d'effectuer tout ajustement ou de retirer/ installer des pièces ou des accessoires. Un déclenchement accidentel du démarrage peut causer des blessures.

Vérification du fonctionnement de l'outil (Fig. A)

AVERTISSEMENT : retirez toutes les fixations de l'outil avant d'effectuer la vérification du fonctionnement de l'outil.

Fonctionnement du déclencheur par contact

- Sans le doigt sur la gâchette, appuyez le déclencheur par contact **3** contre la surface de travail. **L'OUTIL NE DOIT PAS FONCTIONNER.**
- Tenez l'outil hors de la surface de travail, puis appuyez sur la gâchette. **L'OUTIL NE DOIT PAS FONCTIONNER.**
- Avec l'outil hors de la surface de travail, appuyez sur la gâchette. Pousses le déclencheur par contact contre la surface de travail. **L'OUTIL DOIT FONCTIONNER.**
- Sans toucher la gâchette, appuyez le déclencheur par contact contre la surface de travail, puis appuyez sur la gâchette. **L'OUTIL DOIT FONCTIONNER.**

Fonctionnement du déclencheur séquentiel

- Appuyez le déclencheur par contact contre la surface de travail, sans toucher la gâchette. **L'OUTIL NE DOIT PAS FONCTIONNER.**
- Tenez l'outil hors de la surface de travail, puis appuyez sur la gâchette. **L'OUTIL NE DOIT PAS FONCTIONNER.** Relâchez la gâchette. La gâchette doit retourner à l'arrêt de la gâchette sur le cadre.
- Appuyez sur la gâchette et appuyez le déclencheur par contact contre la surface de travail. **L'OUTIL NE DOIT PAS FONCTIONNER.**
- Sans le doigt sur la gâchette, appuyez le déclencheur par contact contre la surface de travail. Appuyez sur la gâchette. **L'OUTIL DOIT FONCTIONNER.**

Accessoires

AVERTISSEMENT : puisque les accessoires autres que ceux offerts par DEWALT n'ont pas été testés avec ce produit, leur utilisation pourrait s'avérer dangereuse. Pour réduire le risque de blessures, utiliser exclusivement les accessoires DEWALT recommandés avec le présent produit.

Les accessoires recommandés pour cet outil sont vendus séparément au centre de service de votre région. Pour obtenir de l'aide concernant l'achat d'un accessoire, communiquer avec DEWALT Industrial Tool Co., 701 East Joppa Road, Towson, MD 21286 aux États-Unis;

FRANÇAIS

composer le 1 800 433-9258 (1 800 4-DEWALT) ou visiter notre site Web : www.dewalt.com.

Réparations



AVERTISSEMENT : *pour assurer la SÉCURITÉ et la FIABILITÉ du produit, les réparations, l'entretien et les réglages doivent être réalisés (cela comprend l'inspection et le remplacement du balai, le cas échéant) par un centre de réparation en usine DEWALT ou un centre de réparation agréé DEWALT. Toujours utiliser des pièces de rechange identiques.*

Registre en ligne

Merci pour votre achat. Enregistrez dès maintenant votre produit :

- **RÉPARATIONS SOUS GARANTIE :** cette carte remplie vous permettra de vous prévaloir du service de réparations sous garantie de façon plus efficace dans le cas d'un problème avec le produit.
- **CONFIRMATION DE PROPRIÉTÉ :** en cas de perte provoquée par un incendie, une inondation ou un vol, cette preuve de propriété vous servira de preuve auprès de votre compagnie d'assurances.
- **SÉCURITÉ :** l'enregistrement de votre produit nous permettra de communiquer avec vous dans l'éventualité peu probable de l'envoi d'un avis de sécurité régi par la loi fédérale américaine de la protection des consommateurs.

Registre en ligne à www.dewalt.com/register.

Garantie limitée de sept ans

DEWALT réparera sans frais tout appareil défectueux pour cause de défaut de matériau ou de main-d'œuvre sur une période de sept ans à partir de la date d'achat de l'outil. La présente garantie ne couvre pas les pièces dont la défectuosité a été causée par une usure normale ou l'usage abusif de l'outil. Pour obtenir de plus amples renseignements sur les pièces ou les réparations couvertes par la présente garantie, visiter le site www.dewalt.com ou composer le 1 800 433-9258 (1 800 4-DEWALT). CETTE GARANTIE LIMITÉE REMPLACE TOUTE AUTRE GARANTIE, Y COMPRIS TOUTE GARANTIE IMPLICITE DE QUALITÉ MARCHANDE OU DE CONFORMITÉ À DES FINS PARTICULIÈRES, ET EXCLUT TOUT DOMMAGE ACCESSOIRE OU INDIRECT. Certains états n'autorisent aucune limitation quant à la durée d'une garantie implicite ni aucune exclusion ou limitation de garantie contre tout préjudice accessoire ou indirect, aussi il se peut que ces exclusions ne vous soient pas applicables. Cette garantie confère des droits légaux particuliers à l'acheteur, mais celui-ci pourrait aussi bénéficier d'autres droits variant d'un territoire à l'autre.

En plus de la présente garantie, les outils DEWALT sont couverts par notre :

CONTRAT D'ENTRETIEN GRATUIT D'UN AN

DEWALT entretiendra l'outil et remplacera les pièces usées au cours d'une utilisation normale et ce, gratuitement, pendant une période d'un an à compter de la date d'achat.

GARANTIE DE REMBOURSEMENT DE 90 JOURS

Si l'acheteur n'est pas entièrement satisfait, pour quelque raison que ce soit, du rendement de l'outil électrique, du laser ou de la cloueuse DEWALT, celui-ci peut le retourner, accompagné d'un reçu, dans les 90 jours à compter de la date d'achat pour obtenir un remboursement intégral, sans aucun problème.

AMÉRIQUE LATINE : cette garantie ne s'applique aux produits vendus en Amérique latine. Pour ceux-ci, veuillez consulter les informations relatives à la garantie spécifique présente dans l'emballage, appeler l'entreprise locale ou consulter le site Web pour les informations relatives à cette garantie.

REMPACEMENT GRATUIT DES ÉTIQUETTES

D'AVERTISSEMENT : si les étiquettes d'avertissement deviennent illisibles ou sont manquantes, composer le 1 800 433-9258 (1 800 4-DEWALT) pour en obtenir le remplacement gratuit.

Dépannage

Problème	Cause	Correction
Fuite d'air au corps de valve de gâchette.	Joints toriques coupés ou usés.	Remplacer les joints toriques.
Fuite d'air à la tige de valve de gâchette.	Joints toriques ou garnitures coupés ou usés.	Remplacer joints toriques /garnitures.
Fuite d'air entre le corps et le nez.	Vis du nez desserrées.	Resserrer les vis.
	Joints toriques ou garniture coupés ou usés.	Remplacer les joints toriques.
	Amortisseur coupé ou usé.	Remplacer l'amortisseur.
Fuite d'air entre le chapeau et le corps.	Garniture coupée.	Remplacer la garniture.
	Amortisseur de tête coupé ou usé.	Remplacer l'amortisseur.
	Vis de chapeau desserrées.	Resserrer les vis.
Cycle incomplet.	Pertes de charges dans le circuit d'air.	Vérifier le circuit d'air.
	Joints toriques de la valve de tête coupés ou usés.	Remplacer les joints toriques.
	Ressort du chapeau de cylindre cassé.	Remplacer le ressort.
	Valve de tête forcée dans le chapeau.	Démonter (vérifier) lubrifier.
Manque de puissance, l'outil tourne au ralenti.	Ressort du chapeau de cylindre cassé.	Remplacer le ressort.
	Joints toriques ou garnitures coupés ou usés.	Remplacer les joints toriques/garnitures.
	Échappement bloqué.	Vérifier l'amortisseur et le ressort de valve de tête.
	Système gâchette usé ou ayant une fuite.	Remplacer le système de gâchette.
	Particules obstruant le canal de l'enfonceur.	Démonter le nez/enfonceur et nettoyer.
	L'extrémité du cylindre n'est pas positionnée correctement sur l'amortisseur inférieur.	Démonter et réinstaller.
	Pression d'air trop faible.	Vérifier le circuit d'air.
Fixations se coincent dans l'appareil; Alimentation Intermittente.	Amortisseur usé.	Remplacer l'amortisseur.
	Particules obstruant le canal de l'enfonceur.	Démonter le nez/enfonceur et nettoyer.
	Pertes de charges dans les raccords rapides du circuit d'air.	Remplacer les raccords rapides du circuit.
	Joint du piston usé.	Remplacer le joint, vérifier l'enfonceur.
	Ressort du poussoir endommagé.	Remplacer le ressort.
	Pression d'air trop faible.	Vérifier le circuit/régler la pression d'air.
	Vis du magasin desserrées.	Resserrer les vis.
	Fixations trop courts.	Utilisez seulement les fixations recommandées.
	Fixations tordues.	Cessez d'utiliser ces fixations.
	Mauvais formats de fixations.	Utilisez seulement les fixations recommandées.
	Fuite à la garniture du chapeau de tête.	Resserrer les vis/remplacer la garniture.
	Joints toriques de la valve de gâchette coupés ou usés.	Remplacer les joints toriques.
	Enfonceur usé ou cassé.	Remplacer l'enfonceur/vérifier le joint de piston.
	Magasin usé.	Remplacer le magasin.
Fixations se coincent dans l'appareil	Canal de l'enfonceur usé.	Remplacer le nez/vérifier la porte.
	Mauvais formats de fixations.	Utilisez seulement les fixations recommandées.
	Fixations tordues.	Cessez d'utiliser ces fixations.
	Vis du nez/magasin desserrées	Resserrer les vis.
	Enfonceur usé ou cassé.	Remplacer l'enfonceur.

Definiciones: Símbolos y Palabras de Alerta de Seguridad

Este manual de instrucciones utiliza los siguientes símbolos y palabras de alerta de seguridad para alertarle de situaciones peligrosas y del riesgo de lesiones corporales o daños materiales.

! **PELIGRO:** Indica una situación de peligro inminente que, si no se evita, provocará **la muerte o lesiones graves**.

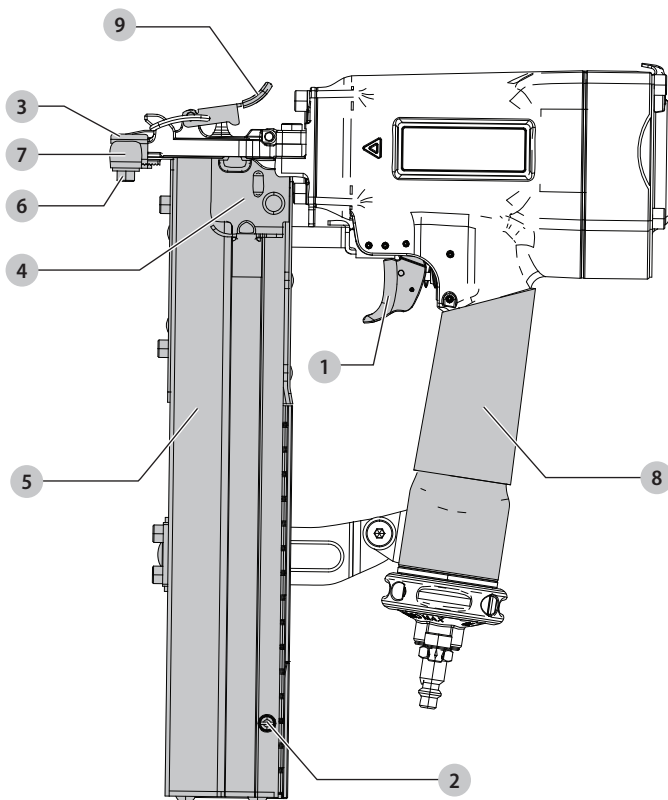
! **ADVERTENCIA:** Indica una situación de peligro potencial que, si no se evita, **podría provocar la muerte o lesiones graves**.

! **ATENCIÓN:** Indica una situación de peligro potencial que, si no se evita, **posiblemente provocaría lesiones leves o moderadas**.

! (Utilizado sin palabras) indica un mensaje de seguridad relacionado.

AVISO: Se refiere a una práctica **no relacionada a lesiones corporales** que de no evitarse **puede resultar en daños a la propiedad**.

Fig. A



- 1 Gatillo
- 2 Liberación de palanca de empuje
- 3 Tope de contacto
- 4 Palanca de empuje
- 5 Cartucho
- 6 Tornillo de ajuste de profundidad
- 7 Zapata deslizante
- 8 Manija
- 9 Liberación de atasco sin herramientas

! **ADVERTENCIA:** Lea todas las advertencias de seguridad e instrucciones. El incumplimiento de las advertencias e instrucciones puede provocar descargas eléctricas, incendios o lesiones graves.

! **ADVERTENCIA:** Para reducir el riesgo de lesiones, lea el manual de instrucciones.

Si tiene alguna duda o algún comentario sobre ésta u otra herramienta DEWALT, llámenos al número gratuito: 1-800-4-DEWALT (1-800-433-9258).

INSTRUCCIONES DE SEGURIDAD IMPORTANTES



ADVERTENCIA: Sólo las personas que hayan leído y comprendido las instrucciones de operación/seguridad de la herramienta deben operar la herramienta.



ADVERTENCIA: La herramienta en funcionamiento puede generar residuos volátiles, materiales colacionados o polvo, que pueden dañar los ojos del operador. El operador y toda otra persona que se encuentre en el área de trabajo DEBEN usar anteojos de seguridad con protección lateral. Estos anteojos de seguridad deben cumplir con los requisitos ANSI Z87.1 (los anteojos aprobados tienen impreso o estampado "Z87"). El empleador es responsable de hacer cumplir el uso del equipo de protección para los ojos por parte del operador de la herramienta y de todo el personal en el área de trabajo.



ADVERTENCIA: Siempre dé por sentado que la herramienta contiene clavos.



ADVERTENCIA: (Aire y Suministro)

- No use oxígeno, gases combustibles ni gases embotellados como fuente de energía para esta herramienta, ya que la herramienta puede explotar y causar lesiones.
- No utilice fuentes de suministro que puedan exceder potencialmente 14 kg/cm² (200 p.s.i.g.) ya que la herramienta puede explotar y causar lesiones.
- El conector de la herramienta no debe mantener la presión cuando se desconecta el suministro de aire. Si se utiliza un accesorio incorrecto, la herramienta puede permanecer cargada con aire después de desconectarse y, por lo tanto, podrá insertar un sujetador incluso después de desconectar la línea de aire, posiblemente causando lesiones.
- No apriete el gatillo mientras está conectado al suministro de aire, ya que la herramienta puede realizar un ciclo y causar lesiones.
- Siempre desconecte el suministro de aire: 1.) Antes de hacer ajustes; 2.) Cuando dé servicio a la herramienta; 3.) Cuando despeje un atasco; 4.) Cuando la herramienta no esté en uso; 5.) Cuando se mueva a un área de trabajo diferente, ya que puede ocurrir una activación accidental, posiblemente causando lesiones. 6.) Cuando cargue la herramienta.



ADVERTENCIA: Cuando cargue la herramienta:

- Desconecte del suministro de aire.
- Nunca coloque una mano o parte del cuerpo en el área de descarga de los sujetadores de la herramienta.
- Nunca apunte con la herramienta hacia usted o hacia otra persona.
- No apriete el gatillo ya que puede producirse una activación accidental, que podría causar lesiones.

- Tenga cuidado al manipular sujetadores, especialmente al cargar y descargar, ya que los sujetadores tienen puntas afiladas.



ADVERTENCIA: No opere la herramienta si:

- Hay algún daño en la manguera o conexión de aire.
- La herramienta pierde aire.
- La herramienta ha recibido un golpe fuerte, un mal funcionamiento o se ha caído o dañado de alguna manera. Devuelva la herramienta a la instalación de servicio autorizada más cercana para su examen, reparación o ajuste mecánico.
- Las etiquetas de advertencia faltan o están dañadas.
- La herramienta no está en buen estado de operación. Se deben usar etiquetas y separación física para el control.
- La herramienta no tiene contacto con la pieza de trabajo. Una herramienta sin contacto de la pieza de trabajo puede dispararse involuntariamente y causar lesiones a un operador o transeúnte.



ADVERTENCIA: Cuando se opera la herramienta:

- Siempre maneje la herramienta con cuidado:
 - Nunca juegue bruscamente con otros.
 - Nunca jale el gatillo a menos que la nariz esté dirigida hacia el trabajo.
 - Nunca apunte la herramienta hacia usted o hacia otros.
 - Mantenga a los demás a una distancia segura de la herramienta mientras la herramienta esté en funcionamiento, ya que podría producirse una activación accidental, que podría causar lesiones.
 - Mantenga a los transeúntes y niños alejados mientras opera la herramienta.
 - Respete la herramienta como un implemento de trabajo.
 - Manténgase alerta, concéntrese en su trabajo y use el sentido común cuando trabaje con herramientas.
 - No use la herramienta cuando esté cansado, después de haber consumido drogas o alcohol, o bajo la influencia de medicamentos.
 - No se estire. Sólo use en un lugar de trabajo seguro.
 - Mantenga una base de apoyo adecuada en todo momento.
- Coloque los sujetadores en la superficie de trabajo solamente.
- Cuando trabaje cerca de un borde de una pieza de trabajo o en ángulos pronunciados, tenga cuidado de minimizar la formación de astillas, separación o astillas, o el vuelo libre o el rebote de los sujetadores, que pueden causar lesiones.

- No coloque los sujetadores encima de otros sujetadores o con la herramienta en un ángulo demasiado pronunciado ya que esto puede provocar la desviación de los sujetadores, lo que podría ocasionar lesiones.
- No cargue la herramienta con sujetadores cuando alguno de los controles de operación esté activado.
- Tenga precaución al introducir sujetadores a paredes existentes u otras áreas ciegas para evitar el contacto con objetos ocultos o personas del otro lado (por ejemplo, cables, tuberías).
- El operador no debe apretar el gatillo, excepto durante la operación de fijación, ya que podría resultar en lesiones serias si la herramienta hace contacto accidentalmente con alguien o algo, haciendo que la herramienta realice un ciclo.
- Mantenga las manos y el cuerpo alejados del área de descarga de la herramienta. La herramienta puede rebotar por el retroceso de la inserción de un sujetador y un segundo sujetador no deseado puede insertarse, posiblemente causando lesiones.
- Verifique el funcionamiento del mecanismo de disparo con frecuencia. No use la herramienta si el gatillo no funciona correctamente, ya que puede ocasionar la inserción accidental de un sujetador. No interfiera con el funcionamiento correcto del mecanismo de disparo.
- Nunca mueva o apriete inadvertidamente el gatillo cuando se mueva, cambie la ubicación del trabajo, cuando guarde o cuelgue la herramienta, o cuando prepare la superficie de trabajo para la operación de fijación.
- Esta herramienta produce CHISPAS durante la operación. NUNCA use la herramienta cerca de sustancias, gases o vapores inflamables, incluyendo laca, pintura, bencina, diluyente, gasolina, adhesivos, masillas, pegamentos o cualquier otro material - o los vapores, humos o subproductos - que sean inflamables, combustibles o explosivos. El uso del sujetador en cualquier entorno puede causar una EXPLOSIÓN que puede ocasionar lesiones personales o la muerte al usuario y a los transeúntes.



ADVERTENCIA: Después de insertar un sujetador, la herramienta puede rebotar hacia atrás ("retroceso") haciendo que se aleje de la superficie de trabajo. Para reducir el riesgo de lesiones, siempre maneje el retroceso de la siguiente manera:

- Siempre manteniendo el control de la herramienta.
- Permitiendo que el retroceso aleje la herramienta de la superficie de trabajo.
- No resista el retroceso, de modo que la herramienta se fuerce a regresar a la superficie de trabajo. En "Modo de actuación de contacto", si se permite que el contacto de la pieza de trabajo

vuelva a entrar en contacto con la superficie de trabajo antes de soltar el gatillo, se producirá una descarga involuntaria de un sujetador.

- Manteniendo la cara y las partes del cuerpo alejadas de la herramienta.



ADVERTENCIA: Desconecte la herramienta:

- Cuando no esté en uso.
- Al realizar cualquier mantenimiento o reparación.
- Al eliminar un atasco.
- Al elevar, bajar o mover la herramienta a una nueva ubicación.
- Cuando la herramienta esté fuera de la supervisión o control del operador.
- Al cargar o retirar los sujetadores del cargador.



ADVERTENCIA: Al dar mantenimiento a la herramienta:

- Siempre cierre el suministro de aire y desconecte la herramienta del suministro de aire cuando no esté en uso.
- Al trabajar con herramientas neumáticas, tenga en cuenta las advertencias de este manual y tenga especial cuidado al evaluar las herramientas con problemas.

Advertencias de Seguridad Adicionales



ADVERTENCIA: No use este producto para sujetar cables eléctricos. La fijación de cables eléctricos podría provocar descargas eléctricas o daños graves.



ADVERTENCIA: Asegúrese que no haya cables eléctricos, tuberías de gas, etc. que puedan causar un peligro si se dañan con la herramienta.



ADVERTENCIA: Esta herramienta no está diseñada para usarse en atmósferas potencialmente explosivas y no está aislada de entrar en contacto con la energía eléctrica.

- Use la herramienta neumática DEWALT sólo para el propósito para el que fue diseñada.
- No use la herramienta como un martillo.
- Siempre lleve la herramienta por el mango con la mano fuera del gatillo/gatillos.
- Nunca levante, jale, baje o transporte la herramienta por la manguera de aire.
- Las mangueras que se agitan pueden causar lesiones graves. Siempre revise si hay mangueras o conexiones dañadas o sueltas.
- Nunca dirija el aire comprimido hacia usted o hacia otra persona.
- El aire comprimido puede causar lesiones graves.
- No altere o modifique esta herramienta a partir de su diseño o función originales sin aprobación con DEWALT.
- Nunca sujete o coloque cinta en el gatillo en una posición accionada.
- Asegúrese que la herramienta siempre esté sujeta con seguridad en la pieza de trabajo y no se pueda deslizar.
- Nunca deje desatendida una herramienta con la manguera de aire instalada.

PARA PREVENIR LESIONES ACCIDENTALES:

- Nunca coloque una mano o cualquier otra parte del cuerpo en el área de descarga de los sujetadores de la herramienta mientras esté conectado el suministro de aire.
- Nunca accione la herramienta a menos que la punta se dirija al trabajo.
- No accione la herramienta durante la carga.
- Mantenga las manos y partes del cuerpo alejadas del área de descarga de la herramienta. Mientras esté en uso **NUNCA** sujete la herramienta por el cargador o depósito, un sujetador insertado incorrectamente puede salir de la punta causando lesiones.

Instrucción Adicional de Seguridad



ADVERTENCIA: Use **SIEMPRE** lentes de seguridad. Los anteojos de diario **NO SON** lentes de seguridad. Utilice además una cubrebocas o mascarilla antipolvo si la operación de corte genera demasiado polvo. **SIEMPRE LLEVE EQUIPO DE SEGURIDAD CERTIFICADO:**

- protección ocular ANSI Z87.1 (CAN/CSA Z94.3),
- protección auditiva ANSI S12.6 (S3.19),
- protección respiratoria NIOSH/OSHA/MSHA.



ADVERTENCIA: Algunas partículas de polvo generadas al lijar, serrar, esmerilar y taladrar con herramientas eléctricas, así como al realizar otras actividades de construcción, contienen químicos que el Estado de California sabe que pueden producir cáncer, defectos congénitos u otras afecciones reproductivas. Ejemplos de estos químicos son:

- plomo de algunas pinturas en base a plomo,
- polvo de sílice proveniente de ladrillos y cemento y otros productos de albañilería, y
- arsénico y cromo provenientes de madera tratada químicamente.

Su riesgo de exposición a estos químicos varía, dependiendo de la frecuencia con la cual realiza usted este tipo de trabajo. Para reducir su exposición a estas sustancias químicas: trabaje en una zona bien ventilada y llevando equipos de seguridad aprobados, como mascarillas antipolvo especialmente diseñadas para filtrar partículas microscópicas.

- **Evite el contacto prolongado con polvo generado por el lijado, aserrado, pulido, taladrado y otras actividades de construcción. Vista ropas protectoras y lave las áreas de la piel expuestas con agua y jabón.** Si permite que el polvo se introduzca en la boca u ojos o quede sobre la piel, puede favorecer la absorción de productos químicos peligrosos.



ADVERTENCIA: La utilización de esta herramienta puede generar polvo o dispersarlo, lo que podría causar daños graves y permanentes al sistema respiratorio, así como otras lesiones. Siempre use protección respiratoria aprobada por NIOSH (Instituto Nacional de Seguridad y Salud en el Trabajo) u OSHA (Administración de Seguridad y Salud en el Trabajo) apropiada para la exposición al polvo. Dirija las partículas en dirección contraria a la cara y el cuerpo.



ADVERTENCIA: Siempre lleve la debida protección auditiva personal en conformidad con ANSI S12.6 (S3.19) durante el uso de esta herramienta. Bajo algunas condiciones y duraciones de uso, el ruido producido por este producto puede contribuir a la pérdida auditiva.



ATENCIÓN: Cuando no esté en uso, guarde la herramienta apoyada en un costado sobre una superficie estable, donde no interrumpa el paso o provoque una caída. Algunas herramientas se pueden colocar en posición vertical, pero pueden caer fácilmente.

- Los orificios de ventilación suelen cubrir piezas en movimiento, por lo que también se deben evitar. Las piezas en movimiento pueden atrapar prendas de vestir sueltas, joyas o el cabello largo.

GUARDE ESTAS INSTRUCCIONES PARA VOLVER A CONSULTAR EN EL FUTURO

COMPONENTES (FIG. A)



ADVERTENCIA: Nunca modifique la herramienta neumática, ni tampoco ninguna de sus piezas. Podría producir lesiones corporales o daños.

Consulte la Figura A al principio de este manual para obtener una lista completa de los componentes.

Uso Debido

Su engrapadora de torno está diseñada para aplicaciones de sujeción profesionales.

NO utilice la herramienta en condiciones de humedad o en presencia de líquidos o gases inflamables.

Esta engrapadora de torno es una herramienta neumática profesional.

NO permita que los niños toquen la herramienta. Si el operador no tiene experiencia operando esta herramienta, su uso deberá ser supervisado.

ESPECIFICACIONES DE LA HERRAMIENTA

DW451S2	
Descripción	Engrapadora de corona de 1"
Rango de presión de operación	4,9–8,5 kg/cm ² (70–120 p.s.i.g.)
Tipo de sujetador	Grapas serie 16S2 DeWALT y BOSTITCH
Indicador de sujetador	16
Rango de sujetador	1"–2"
Capacidad de cargador	140 grapas
Longitud	368 mm (14 1/2")
Ancho	79 mm (3 1/8")
Altura	273 mm (10 3/4")
Peso	2,4 kg (5,3 lbs)

Conexión de aire de herramienta

Esta herramienta utiliza un tapón de conector de flujo libre de 1/4" N.P.T. El diámetro mínimo interior debe ser 5 mm (0,200"). El accesorio debe ser capaz de descargar la

ESPAÑOL

presión de aire de la herramienta cuando se desconecte del suministro de aire.

Presión de operación

4,9–8,5 kg/cm² (70–120 p.s.i.g.). Seleccione la presión de operación dentro de este rango para obtener el mejor desempeño del sujetador. NO EXCEDA ESTA PRESIÓN DE OPERACIÓN RECOMENDADA.

Consumo de aire

El DW451S2 requiere 150 litros por minuto o LT/MIN (5,3 pies cúbicos por minuto o C.F.M.) de aire libre a 5,6 kg/cm² (80 p.s.i.g.) para operar a una velocidad de 100 sujetadores por minuto. Para determinar el compresor de aire de tamaño apropiado, tome la velocidad real en la que operará la herramienta y compare el LT/MIN requerido. (C.F.M.) a la descarga de aire libre de los compresores (C.F.M./ LT/MIN) a 5,6 kg/cm² (80 p.s.i.g.).

Por ejemplo, si su uso de sujetadores promedia 50 sujetadores por minuto, necesitará 50% de C.F.M. de las herramientas requeridas para operar la herramienta en la velocidad de 100 sujetadores por minuto. En este caso, asegúrese que su compresor de aire pueda descargar un mínimo de 75 LT/MIN (2,7 C.F.M.) a 5,6 kg/cm² (80 p.s.i.g.) para desempeño óptimo.

ESPECIFICACIONES DE SUJETADOR

DW451S2

Sujetador	Calibre	Ancho de corona	Longitud
DeWALT DW16S2-25GAL	16	1"	1"
DeWALT DW16S2-38GAL	16	1"	1 1/2"
BOSTITCH 16S2-25FG 10M	16	1"	1"
BOSTITCH 16S2-25SG 10M	16	1"	1"
BOSTITCH 16S2-31FG 10M	16	1"	1 1/4"
BOSTITCH 16S2-31SG 10M	16	1"	1 1/4"
BOSTITCH 16S2-38FG 10M	16	1"	1 1/2"
BOSTITCH 16S2-38SG 10M	16	1"	1 1/2"
BOSTITCH 16S2-44FG 10M	16	1"	1 3/4"
BOSTITCH 16S2-44SG 10M	16	1"	1 3/4"
BOSTITCH 16S2-50FG 10M	16	1"	2"
BOSTITCH 16S2-50SG 10M	16	1"	2"

MONTAJE Y AJUSTES



ADVERTENCIA: Para reducir el riesgo de lesiones personales, apague la unidad y retire el suministro de aire antes de realizar cualquier ajuste o retirar/instalar conexiones o accesorios. Una activación de arranque accidental puede causar lesiones.

Ajustes y Preparación de Uso

Suministro de Aire y Conexiones



ADVERTENCIA: No use oxígeno, gases combustibles o gases embotellados como fuente de energía para esta herramienta, ya que ella puede explotar y posiblemente causar lesiones.

Accesorios

Instale una conexión macho en la herramienta que tenga flujo libre y que libere presión de aire de la herramienta cuando se desconecte de la fuente de suministro.

Mangueras

Las mangueras de aire deben tener un mínimo de 10,6 kg/cm². (150 p.s.i.g.) de clasificación de presión de trabajo o 150 por ciento de la presión máxima que podría producirse en el sistema neumático. La manguera de suministro debe contener un accesorio que proporcione "desconexión rápida" de la conexión macho en la herramienta.

Fuente de Suministro

Use solo aire comprimido regulado limpio como fuente de alimentación de esta herramienta. NUNCA USE OXÍGENO, GASES COMBUSTIBLES O GAS EMBOTELLADO COMO FUENTE DE ALIMENTACIÓN PARA ESTA HERRAMIENTA, YA QUE PUEDE EXPLOTAR.

Regulador

Se requiere un regulador de presión con una presión de funcionamiento de 0–8,5 kg/cm² (0–120 p.s.i.g.) para controlar la presión de funcionamiento para la utilización segura de esta herramienta. No conecte esta herramienta a presión de aire que potencialmente podría exceder los 14 kg/cm² (200 p.s.i.g.), ya que la herramienta puede fracturarse o explotar, y posiblemente causar lesiones.

Presión de Funcionamiento

No exceda la presión máxima recomendada de funcionamiento, ya que se aumentará significativamente el desgaste de la herramienta. El suministro de aire debe poder mantener la presión de funcionamiento en la herramienta. Las caídas de presión en el suministro de aire pueden reducir la potencia de accionamiento de la herramienta. Consulte las **Especificaciones de la Herramienta** para ajustar la presión correcta de funcionamiento para la herramienta.

Filtro

El polvo y el agua en el suministro de aire son causas importantes de desgaste en las herramientas neumáticas. Un filtro ayudará a obtener el mejor rendimiento y mínimo desgaste de la herramienta. El filtro debe tener una capacidad adecuada de flujo para la instalación específica. El filtro debe mantenerse limpio para ser efectivo al proporcionar aire comprimido limpio a la herramienta. Consulte las instrucciones del fabricante sobre el mantenimiento apropiado de su filtro. Un filtro sucio y obstruido causará una caída de presión que reducirá el rendimiento de la herramienta.

OPERACIÓN

- ADVERTENCIA:** Para reducir el riesgo de lesiones personales, apague la unidad y retire el suministro de aire antes de realizar cualquier ajuste o retirar/instalar conexiones o accesorios. Una activación de arranque accidental puede causar lesiones.

Preparación de la Herramienta

- ADVERTENCIA:** Lea la sección titulada **INSTRUCCIONES IMPORTANTES DE SEGURIDAD** al principio de este manual. Utilice siempre protección para los ojos [ANSI Z87.1 (CAN / CSA Z94.3)] y auditiva [ANSI S12.6 (S3.19)] cuando opere esta herramienta. Mantenga la herramienta apuntada al lado opuesto de su cuerpo y otras personas. Para la operación segura, complete los siguientes procedimientos y verificaciones antes de cada uso del sujetador.

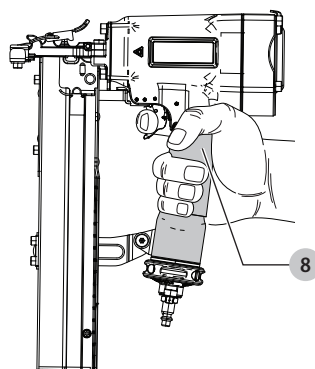
- Antes de usar la herramienta, asegúrese que los tanques del compresor se hayan drenado adecuadamente.
- Use protección para los ojos, oídos y respiratoria adecuada.
- Retire todos los sujetadores del cargador.
- Revise la operación suave y adecuada de los ensambles de disparo de contacto y empuje. No use la herramienta si cualquier ensamble no funciona adecuadamente. NUNCA use una herramienta que tenga el disparo de contacto restringido en la posición arriba.
- Revise el suministro de aire: Asegúrese que la presión de aire no exceda los límites de operación recomendados; 8,5 kg/cm² (120 p.s.i.g).
- Conecte la manguera de aire.
- Revise respecto a fugas audibles alrededor de las válvulas y empaques. Nunca use una herramienta que tenga fugas o partes dañadas.

Posición Adecuada de las Manos (Fig. B)

- ADVERTENCIA:** Para reducir el riesgo de lesión personal grave, tenga **SIEMPRE** las manos en una posición adecuada como se muestra.
- ADVERTENCIA:** Para reducir el riesgo de lesión personal grave, sujete **SIEMPRE** bien en caso de que haya una reacción repentina.

La posición de mano adecuada requiere una mano en la manija 8.

Fig. B

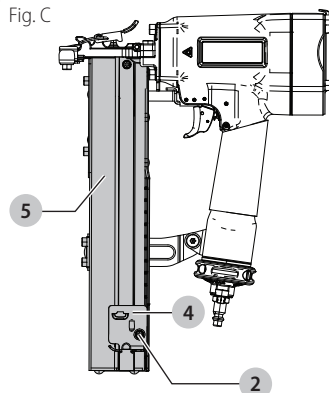


Cargue los Sujetadores (Fig. C)

- ADVERTENCIA:** No dirija la herramienta hacia usted o hacia otras personas. Puede causar lesiones personales graves.
- ADVERTENCIA:** Nunca cargue los elementos de fijación con el activador por contacto o el gatillo activados. Puede causar lesiones personales.
- ADVERTENCIA:** Siempre desconecte la herramienta de la fuente de aire antes de realizar cualquier ajuste o intentar reparar la herramienta.

1. Mueva la palanca de empuje 4 hacia atrás hasta que se asegure. La cubierta se abrirá. La palanca de empuje se mantendrá en su lugar a través de la liberación de la palanca de empuje 2.
2. Coloque los sujetadores en el cargador 5 y deslice hacia adelante. Repita hasta que el cargador esté cargado.
3. Jale la palanca de empuje ligeramente hacia atrás y presione los retenes de pasador. Permita que la palanca de empuje se deslice hacia adelante sobre el retén del pasador.

Fig. C



Ajuste de la Profundidad (Fig. D)

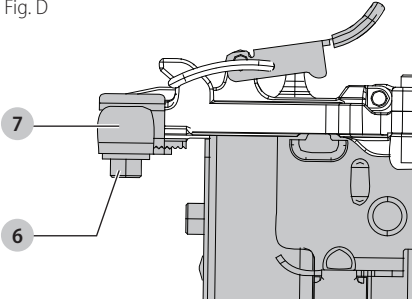
- ADVERTENCIA:** Para reducir el riesgo de lesiones graves debidas a un accionamiento accidental al tratar de ajustar la profundidad, SIEMPRE:
 - Desconecte el suministro de aire de la herramienta.
 - Evite tocar el gatillo durante los ajustes.

ESPAÑOL

La función de ajuste de control de profundidad del sujetador proporciona control de la profundidad de inserción del sujetador desde al ras o justo arriba de la superficie de trabajo hasta el avellanado superficial o profundo.

1. Afloje el tornillo de ajuste de profundidad **6** con una llave hexagonal de 4 mm.
2. Mueva la zapata deslizable **7** hacia abajo (lejos del cargador) para disminuir la profundidad de inserción o hacia arriba (hacia el cargador) para aumentar la profundidad de inserción.
3. Apriete el tornillo con la llave hexagonal de 4 mm.

Fig. D



Funcionamiento de la Herramienta

⚠️ ADVERTENCIA: Para reducir el riesgo de lesiones, utilice siempre protección ocular [ANSI Z87.1 (CAN/CSA Z94.3)] y auditiva adecuada [ANSI S12.6 (S3.19)] cuando use esta herramienta.

La herramienta puede activarse usando uno de dos modos: modo de disparo secuencial y modo de disparo por contacto.

Operación de Disparo Secuencial (Fig. A)

El modo de disparo secuencial recibe su nombre a partir de la "secuencia" requerida para introducir un sujetador. Para introducir un sujetador, el operador primero debe presionar COMPLETAMENTE el "disparo" contra la superficie de trabajo y luego apretar el gatillo. Para introducir un segundo sujetador, el operador debe levantar la herramienta de la superficie de trabajo, soltar el gatillo y luego repetir la secuencia anterior.

- El modo de disparo secuencial ofrece una ventaja de seguridad positiva, ya que no introducirá accidentalmente un sujetador si se golpea la herramienta contra ninguna superficie o ninguna persona mientras el operador sujeta las herramientas con el gatillo apretado.
- El modo de disparo secuencial permite "colocar los clavos" sin la posibilidad de introducir un segundo sujetador no deseado al retroceder como se describe a continuación bajo **Operación de Disparo de Contacto**.

Operación de Disparo de Contacto (Fig. A)

Para introducir un sujetador, tanto el "disparo" como el gatillo deben presionarse. En herramientas de disparo de contacto convencionales, el gatillo puede presionarse y

sostenerse, y cada "contacto" entre el disparo y la superficie de trabajo introducirá un sujetador.

- **Colocación de sujetador individual (fijación de lugar):** Primero coloque el "disparo" TOTALMENTE sobre la superficie de trabajo, SIN JALAR EL GATILLO. Presione el "disparo" TOTALMENTE hasta que la punta de la herramienta toque la superficie de trabajo y luego jale el gatillo para introducir un sujetador. No presione la herramienta contra la superficie de trabajo con fuerza adicional. En su lugar, permita que la herramienta retroceda fuera de la superficie de trabajo para evitar un segundo sujetador no deseado.

NOTA: Retire su dedo del gatillo después de cada operación.

- **Operación de disparo rápido (colocación de "Golpe"):** Primero, sujete la herramienta con el "disparo" apuntando hacia la superficie de trabajo pero sin tocarla. Presione el gatillo y luego toque o "golpee" el disparo contra la superficie de trabajo con un movimiento de rebote. Cada presión del "disparo" hará que se introduzca un sujetador.

⚠️ ADVERTENCIA: No mantenga el gatillo oprimido cuando la herramienta no esté en uso.

Eliminación de Atascamiento (Fig. E, F)

⚠️ ADVERTENCIA: Siempre desconecte el suministro de aire antes de despejar un sujetador atorado.

En ocasiones, los sujetadores pueden atascarse en la punta de una engrapadora neumática. Esto puede ser causado por golpear una placa de metal en la pared, tornillo de pared de yeso, u otro objeto duro. La engrapadora DW451S2 presenta una arquitectura de canal de accionamiento abierto para la eliminación de atascos. Para despejar un atasco, siga este procedimiento:

1. Desconecte la herramienta del suministro de aire.
2. Suelte la palanca de empuje para que ya no aplique fuerza a las grapas.
3. Abra la puerta de la punta de eliminación de atascos **11** jalando hacia arriba la liberación de atasco de la herramienta **9**.

Fig. E

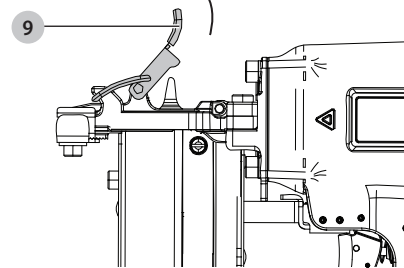
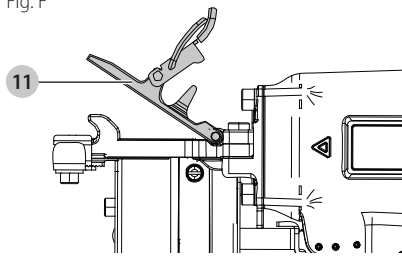


Fig. F



4. Retire el sujetador atascado. En ciertas circunstancias, se pueden requerir pinzas para retirar el sujetador.
5. Cierre la liberación de atasco sin herramientas.
6. Libere la palanca de empuje de clavo detrás de las grapas.

Operación en Condiciones Climáticas Frías

⚠️ ADVERTENCIA: Para reducir el riesgo de lesiones personales, apague la unidad y retire el suministro de aire antes de realizar cualquier ajuste o retirar/installar conexiones o accesorios. Una activación de arranque accidental puede causar lesiones.

⚠️ ADVERTENCIA: No guarde herramientas en un ambiente de clima frío para evitar la formación de escarcha o hielo en las válvulas y mecanismos de operación de la herramienta que puedan causar falla de la herramienta.

⚠️ ADVERTENCIA: Algunos líquidos de secado de línea de aire comerciales son dañinos para los anillos "O" y sellos, no use estos secadores de aire de baja temperatura sin verificar la compatibilidad.

Al operar herramientas en temperaturas muy bajas:

1. Asegúrese de que los tanques del compresor se hayan vaciado correctamente antes del uso.
2. Mantenga la herramienta lo más cálida posible antes del uso.
3. Asegúrese de que se hayan retirado todos los elementos de fijación del depósito.
4. Reduzca la presión de aire a 5,7 kg/cm² (80 p.s.i.g.) o menos.
5. Vuelva a conectar el aire y cargue clavos en el depósito.
6. Incremente la presión hasta el nivel de operación (sin exceder 8,5 kg/cm² [120 p.s.i.g.]) y utilice la herramienta normalmente.
7. Vacíe siempre los tanques del compresor al menos una vez al día.

Operación en Condiciones Climáticas Calurosas

La herramienta debería funcionar normalmente. Sin embargo, mantenga la herramienta alejada del sol directo, ya que el calor excesivo puede deteriorar los protectores, las juntas tóricas y otras piezas de goma, lo cual requerirá un mayor mantenimiento.

MANTENIMIENTO

⚠️ ADVERTENCIA: Para reducir el riesgo de lesiones personales, apague la unidad y retire el suministro de aire antes de realizar cualquier ajuste o retirar/installar conexiones o accesorios. Una activación de arranque accidental puede causar lesiones.

Verificación de Operación de Herramienta (Fig. A)

⚠️ ADVERTENCIA: Retire todos los sujetadores de la herramienta antes de realizar la verificación de operación de la herramienta.

Operación de Disparo de Contacto

1. Con el dedo fuera del gatillo, presione el disparo de contacto **3** contra la superficie de trabajo. **LA HERRAMIENTA NO SE DEBE ACTIVAR.**
2. Mantenga la herramienta fuera de la superficie de trabajo, y jale el gatillo. **LA HERRAMIENTA NO SE DEBE ACTIVAR.**
3. Con la herramienta fuera de la superficie de trabajo, jale el gatillo. Presione el disparo de contacto contra la superficie de trabajo. **LA HERRAMIENTA SE DEBE ACTIVAR.**
4. Sin tocar el gatillo, presione el disparo de contacto contra la superficie de trabajo, luego jale el gatillo. **LA HERRAMIENTA SE DEBE ACTIVAR.**

Operación de Disparo Secuencial

1. Presione el disparo de contacto contra la superficie de trabajo, sin tocar el gatillo. **LA HERRAMIENTA NO SE DEBE ACTIVAR.**
2. Mantenga la herramienta fuera de la superficie de trabajo y jale el gatillo. **LA HERRAMIENTA NO SE DEBE ACTIVAR.** Suelte el gatillo. El gatillo debe regresar al tope del gatillo en el marco.
3. Presione el gatillo y presione el disparo de contacto contra la superficie de trabajo. **LA HERRAMIENTA NO SE DEBE ACTIVAR.**
4. Con el dedo fuera del gatillo, presione el disparo de contacto contra la superficie de trabajo. Jale el gatillo. **LA HERRAMIENTA SE DEBE ACTIVAR.**

Accesorios

⚠️ ADVERTENCIA: Debido a que no se han probado con este producto otros accesorios que no sean los que ofrece DEWALT., el uso de dichos accesorios con esta herramienta podría ser peligroso. Para reducir el riesgo de lesiones, con este producto deben usarse sólo los accesorios recomendados por DEWALT.

Los accesorios que se recomiendan para utilizar con la herramienta están disponibles a un costo adicional en su distribuidor local o en un centro de mantenimiento autorizado. Si necesita ayuda para localizar algún accesorio, póngase en contacto con DEWALT Industrial Tool Co., 701 East Joppa Road, Towson, MD 21286, llame

ESPAÑOL

al 1-800-4-DEWALT (1-800-433-9258) o visite nuestro sitio web: www.dewalt.com.

Reparaciones



ADVERTENCIA: Para asegurar la **SEGURIDAD** y la **CONFIABILIDAD** del producto, las reparaciones, el mantenimiento y los ajustes (inclusive la inspección y el cambio de las escobillas, cuando proceda) deben ser realizados en un centro de mantenimiento en la fábrica DEWALT u en un centro de mantenimiento autorizado DEWALT. Utilice siempre piezas de repuesto idénticas.

Para reparación y servicio de sus herramientas eléctricas, favor de dirigirse al Centro de Servicio más cercano

CULIACAN, SIN

Bldv. Emiliano Zapata 5400-1 Poniente Col. (667) 717 89 99
San Rafael

GUADALAJARA, JAL

Av. La Paz #1779 - Col. Americana Sector (33) 3825 6978
Juárez

MEXICO, D.F.

Eje Central Lázaro Cárdenas No. 18 - Local (55) 5588 9377
D, Col. Obrera

MERIDA, YUC

Calle 63 #459-A - Col. Centro (999) 928 5038

MONTERREY, N.L.

Av. Francisco I. Madero 831 Poniente - Col. (818) 375 23 13
Centro

PUEBLA, PUE

17 Norte #205 - Col. Centro (222) 246 3714

QUERETARO, QRO

Av. San Roque 274 - Col. San Gregorio (442) 2 17 63 14

SAN LUIS POTOSI, SLP

Av. Universidad 1525 - Col. San Luis (444) 814 2383

TORREON, COAH

Bldv. Independencia, 96 Pte. - Col. Centro (871) 716 5265

VERACRUZ, VER

Prolongación Díaz Mirón #4280 - Col. (229) 921 7016
Remes

VILLAHERMOSA, TAB

Constitución 516-A - Col. Centro (993) 312 5111

PARA OTRAS LOCALIDADES:

Si se encuentra en México, por favor llame al (55) 5326 7100

Si se encuentra en U.S., por favor llame al 1-800-433-9258 (1-800 4-DEWALT)

Póliza de Garantía

IDENTIFICACIÓN DEL PRODUCTO:

Sello o firma del Distribuidor.

Nombre del producto: _____

Mod./Cat.: _____

Marca: _____

Núm. de serie: _____

(Datos para ser llenados por el distribuidor)

Fecha de compra y/o entrega del producto:

Nombre y domicilio del distribuidor donde se adquirió el producto:

Este producto está garantizado por un año a partir de la fecha de entrega, contra cualquier defecto en su funcionamiento, así como en materiales y mano de obra empleados para su fabricación. Nuestra garantía incluye la reparación o reposición del producto y/o componentes sin cargo alguno para el cliente, incluyendo mano de obra, así como los gastos de transportación razonablemente erogados derivados del cumplimiento de este certificado.

Para hacer efectiva esta garantía deberá presentar su herramienta y esta póliza sellada por el establecimiento comercial donde se adquirió el producto, de no contar con ésta, bastará la factura de compra.

Excepciones

Esta garantía no será válida en los siguientes casos:

- Cuando el producto se hubiese utilizado en condiciones distintas a las normales;
- Cuando el producto no hubiese sido operado de acuerdo con el instructivo de uso que se acompaña;
- Cuando el producto hubiese sido alterado o reparado por personas distintas a las enlistadas al final de este certificado.

Anexo encontrará una relación de sucursales de servicio de fábrica, centros de servicio autorizados y franquiciados en la República Mexicana, donde podrá hacer efectiva su garantía y adquirir partes, refacciones y accesorios originales.

Registro en línea

Gracias por su compra. Registre su producto ahora para:

- **SERVICIO EN GARANTÍA:** Si completa esta tarjeta, podrá obtener un servicio en garantía más eficiente, en caso de que exista un problema con su producto.
- **CONFIRMACIÓN DE PROPIEDAD:** En caso de una pérdida que cubra el seguro, como un incendio, una inundación o un robo, el registro de propiedad servirá como comprobante de compra.
- **PARA SU SEGURIDAD:** Si registra el producto, podremos comunicarnos con usted en el caso improbable que se deba enviar una notificación de seguridad conforme a la Federal Consumer Safety Act (Ley Federal de Seguridad de Productos para el Consumidor).

Registro en línea en www.dewalt.com/register.

Garantía limitada de siete años

DeWALT reparará o reemplazará, sin cargo, cualquier defecto debido a materiales o mano de obra defectuosos por siete años desde la fecha de compra. Esta garantía no cubre fallas de las piezas causadas por su desgaste normal o abuso a la herramienta. Para mayores detalles sobre la cobertura de la garantía e información acerca de reparaciones realizadas bajo garantía, visítenos en www.dewalt.com o diríjase al centro de servicio más cercano. Esta garantía no aplica a accesorios o a daños causados por reparaciones realizadas o intentadas por terceros. ESTA GARANTÍA LIMITADA SE OTORGA EN VEZ DE TODAS LAS DEMÁS, INCLUIDA LA GARANTÍA IMPLÍCITA DE COMERCIABILIDAD Y APTITUD PARA UN FIN PARTICULAR, Y EXCLUYE TODOS LOS DAÑOS INCIDENTALES O CONSECUENTES. Algunos estados no permiten limitaciones sobre la duración de una garantía implícita, o la exclusión o limitación de daños incidentales o consecuentes, así que estas limitaciones pueden no aplicarse a usted. Esta garantía le otorga derechos legales específicos, además de los cuales usted puede tener otros derechos dependiendo del estado o la provincia en que se encuentre.

Además de la garantía, las herramientas DeWALT están cubiertas por:

1 AÑO DE SERVICIO GRATUITO

DeWALT mantendrá la herramienta y reemplazará las piezas gastadas por su uso normal, sin cobro, en cualquier momento durante un año a contar de la fecha de compra.

GARANTÍA DE REEMBOLSO DE SU DINERO POR 90 DÍAS

Si no está completamente satisfecho con el desempeño de su máquina herramienta, láser o clavadora DeWALT, cualquiera sea el motivo, podrá devolverlo hasta 90 días de la fecha de compra con su recibo y obtener el reembolso completo de su dinero – sin necesidad de responder a ninguna pregunta.

AMÉRICA LATINA: Esta garantía no se aplica a los productos que se venden en América Latina. Para los productos que se venden en América Latina, debe consultar la información de la garantía específica del país que viene en el empaque, llamar a la compañía local o visitar el sitio Web a fin de obtener esa información.

REEMPLAZO GRATUITO DE LAS ETIQUETAS DE

ADVERTENCIAS: Si sus etiquetas de advertencia se vuelven ilegibles o faltan, llame al 1-800-433-9258 (1-800-4-DeWALT) para que se le reemplacen gratuitamente.

Solamente para propósito de México:

Importado por: DeWALT Industrial Tool Co. S.A. de C.V.

Avenida Antonio Dovali Jaime, # 70 Torre B Piso 9

Colonia La Fe, Santa Fé

Código Postal : 01210

Delegación Alvaro Obregón

México D.F.

Tel. (52) 555-326-7100

R.F.C.: BDE810626-1W7

Diagnóstico de Falla

Problema	Causa	Corrección
Fuga de aire en la envoltura de la válvula disparadora.	Anillo en O cortado o rajado.	Reemplazar el anillo en O.
Vástago de la válvula disparadora tiene fuga de aire.	Anillos en O/sellos cortados o rajados.	Reemplazar anillo en O/sellos.
Fuga de aire en el armazón/nariz.	Tornillos de nariz flojos.	Apriete y verifique nuevamente.
	Anillo en O/empaquetadura cortada o rajada	Reemplazar el anillo en O o empaquetadura.
	Amortiguador rajado/desgastado.	Reemplazar el amortiguador.
Fuga de aire en el armazón/tapón.	Empaquetadura rajada.	Reemplazar la empaquetadura.
	Amortiguador de la válvula de cabeza rajado/desgastado.	Reemplazar el amortiguador.
	Tornillos de tapa flojos.	Apriete y verifique nuevamente.
No desempeña su ciclo.	Restricción en el suministro de aire.	Verifique el equipo de suministro de aire.
	Anillos en O de la válvula de cabeza desgastados.	Reemplazar los anillos en O.
	Resorte de la tapa del cilindro roto.	Reemplazar el resorte de la tapa del cilindro.
	Válvula de cabeza atorada en el tapón.	Desensamblar/Verificar.
Falta de Potencia Desempeña su Ciclo Lentamente.	Resorte de la tapa del cilindro roto.	Reemplazar el resorte de la tapa.
	Anillos en O/sellos cortados o rajados.	Reemplazar los anillos en O/sellos.
	Escape bloqueado.	Verificar el amortiguador, resorte de la válvula de cabeza.
	Ensamblaje del gatillo desgastado/tiene fugas.	Reemplazar el ensamblaje del gatillo.
	Acumulación de polvo/alquitrán en impulsor.	Desensamblar la nariz/impulsor para limpiar.
	La manga del cilindro no está asentada debidamente en el amortiguador de abajo.	Desensamblar para corregir.
	Presión de aire demasiado baja.	Verifique el equipo de suministro de aire.
Sujetadores que saltan. Alimentación intermitente.	Amortiguador desgastado.	Reemplazar el amortiguador.
	Alquitrán/polvo en el canal del impulsor.	Desensamblar y limpiar la nariz y el impulsor.
	Restricción de aire/flujo de aire inadecuado a través del casquillo y tapón de desconectado rápido.	Reemplazar los accesorios de desconectado rápido.
	Anillo en O de pistón desgastado.	Reemplazar el anillo en O, verificar el impulsor.
	Resorte de empuje dañado.	Reemplazar el resorte.
	Baja presión de aire.	Verifique el sistema de suministro de aire a la herramienta.
	Tornillos flojos en la nariz del cargador.	Apriete todos los tornillos.
	Los sujetadores son demasiado cortos para la herramienta.	Use sólo los sujetadores recomendados.
	Sujetadores doblados.	No use estos sujetadores más.
	Sujetadores de tamaño equivocado.	Use sólo los sujetadores recomendados.
	Empaquetadura de la tapa de cabeza con fugas.	Apriete los tornillos/Reemplazar la empaquetadura.
	Anillo en O de la válvula del disparador cortado/ desgastado.	Reemplazar el anillo en O.
	Impulsor roto/quebrado.	Reemplazar el impulsor.
Cargador desgastado.	Reemplazar el cargador.	
Los sujetadores se atorán en la herramienta.	Canal del impulsador desgastado.	Reemplazar la nariz/Verificar la puerta.
	Sujetadores de tamaño equivocado.	Use sólo los sujetadores recomendados.
	Sujetadores doblados.	No use estos sujetadores más.
	Tornillos flojos en el cargador/la nariz.	Apriete todos los tornillos.
	Impulsor roto/quebrado.	Reemplazar el impulsor.







DeWALT Industrial Tool Co., 701 East Joppa Road, Towson, MD 21286
(AUG18) Part No. N565321 DW451S2 Copyright © 2018 DeWALT

The following are trademarks for one or more DeWALT power tools: the yellow and black color scheme, the "D" shaped air intake grill, the array of pyramids on the handgrip, the kit box configuration, and the array of lozenge-shaped humps on the surface of the tool.