

If you have questions or comments, contact us.
 Pour toute question ou tout commentaire, nous contacter.
 Si tiene dudas o comentarios, contáctenos.

1-800-4-DEWALT • www.dewalt.com

INSTRUCTION MANUAL
 GUIDE D'UTILISATION
 MANUAL DE INSTRUCCIONES

INSTRUCTIVO DE OPERACIÓN, CENTROS DE SERVICIO Y PÓLIZA
 DE GARANTÍA. ADVERTENCIA: LEASE ESTE INSTRUCTIVO ANTES
 DE USAR EL PRODUCTO.

DEWALT®

DW411/DW412
 1/4 Sheet Sanders
 Ponceuses à 1/4 feuille
 Lijadoras de 1/4 de hoja

DeWALT Industrial Tool Co., 701 East Joppa Road, Baltimore, MD 21286

(JAN06) Form No. 158635-03 DW411, DW412 Copyright © 1998, 2001, 2004, 2005 DeWALT

The following are trademarks for one or more DeWALT power tools: the yellow and black color scheme; the "D" shaped air intake grill; the array of pyramids on the handgrip; the kit box configuration; and the array of lozenge-shaped humps on the surface of the tool.

IF YOU HAVE ANY QUESTIONS OR COMMENTS ABOUT THIS OR ANY DeWALT TOOL, CALL US FREE AT 1-800-4-DEWALT (1-800-433-9258).

General Safety Instructions

WARNING! Read and understand all instructions. Failure to follow all instructions listed below, may result in electric shock, fire and/or serious personal injury.

SAVE THESE INSTRUCTIONS

WORK AREA

- **Keep your work area clean and well lit.** Cluttered benches and dark areas invite accidents.
- **Do not operate power tools in explosive atmospheres, such as in the presence of flammable liquids, gases, or dust.** Power tools create sparks which may ignite the dust or fumes.
- **Keep bystanders, children, and visitors away while operating a power tool.** Distractions can cause you to lose control.

ELECTRICAL SAFETY

- **Grounded tools must be plugged into an outlet properly installed and grounded in accordance with all codes and ordinances. Never remove the grounding prong or modify the plug in any way. Do not use any adaptor plugs. Check with a qualified electrician if you are in doubt as to whether the outlet is properly grounded. If the tools should electrically malfunction or break down, grounding provides a low resistance path to carry electricity away from the user. Applicable only to Class I (grounded) tools.**
- **Double insulated tools are equipped with a polarized plug (one blade is wider than the other.) This plug will fit in a polarized outlet only one way. If the plug does not fit fully in the outlet, reverse the plug. If it still does not fit, contact a qualified electrician to install a polarized outlet. Do not change the plug in any way. Double insulation eliminates the need for the three wire grounded power cord and grounded power supply system. Applicable only to Class II (double insulated) tools.**
- **Avoid body contact with grounded surfaces such as pipes, radiators, ranges and refrigerators. There is an increased risk of electric shock if your body is grounded.**
- **Don't expose power tools to rain or wet conditions.** Water entering a power tool will increase the risk of electric shock.
- **Do not abuse the cord. Never use the cord to carry the tools or pull the plug from an outlet. Keep cord away from heat, oil, sharp edges or moving parts. Replace damaged cords immediately. Damaged cords increase the risk of electric shock.**
- **When operating a power tool outside, use an outdoor extension cord marked "W-A" or "W."** These cords are rated for outdoor use and reduce the risk of electric shock.

Volts	Minimum Gage for Cord Sets			
	Total Length of Cord in Feet			
120V	0-25	26-50	51-100	101-150
240V	0-50	51-100	101-200	201-300
Ampere Rating	AWG			
More Than	Not Than			
0 - 6	18	16	16	14
6 - 10	18	16	14	12

PERSONAL SAFETY

- **Stay alert, watch what you are doing and use common sense when operating a power tool. Do not use tool while tired or under the influence of drugs, alcohol, or medication.** A moment of inattention while operating power tools may result in serious personal injury.
- **Dress properly. Do not wear loose clothing or jewelry. Contain long hair. Keep your hair, clothing, and gloves away from moving parts.** Loose clothes, jewelry, or long hair can be caught in moving parts. Air vents often cover moving parts and should also be avoided.
- **Avoid accidental starting. Be sure switch is off before plugging in.** Carrying tools with your finger on the switch or plugging in tools that have the switch on invites accidents.
- **Remove adjusting keys or wrenches before turning the tool on.** A wrench or a key that is left attached to a rotating part of the tool may result in personal injury.
- **Do not overreach. Keep proper footing and balance at all times.** Proper footing and balance enables better control of the tool in unexpected situations.

- **Use safety equipment. Always wear eye protection.** Dust mask, non-skid safety shoes, hard hat, or hearing protection must be used for appropriate conditions.

TOOL USE AND CARE

- **Use clamps or other practical way to secure and support the workpiece to a stable platform.** Holding the work by hand or against your body is unstable and may lead to loss of control.
- **Do not force tool. Use the correct tool for your application.** The correct tool will do the job better and safer at the rate for which it is designed.
- **Do not use tool if switch does not turn it on or off.** Any tool that cannot be controlled with the switch is dangerous and must be repaired.
- **Disconnect the plug from the power source before making any adjustments, changing accessories, or storing the tool.** Such preventative safety measures reduce the risk of starting the tool accidentally.
- **Store idle tools out of reach of children and other untrained persons.** Tools are dangerous in the hands of untrained users.
- **Maintain tools with care. Keep cutting tools sharp and clean.** Properly maintained tools, with sharp cutting edges are less likely to bind and are easier to control.
- **Check for misalignment or binding of moving parts, breakage of parts, and any other condition that may affect the tools operation. If damaged, have the tool serviced before using.** Many accidents are caused by poorly maintained tools.
- **Use only accessories that are recommended by the manufacturer for your model.** Accessories that may be suitable for one tool, may become hazardous when used on another tool.

SERVICE

- **Tool service must be performed only by qualified repair personnel.** Service or maintenance performed by unqualified personnel could result in a risk of injury.
- **When servicing a tool, use only identical replacement parts. Follow instructions in the Maintenance section of this manual.** Use of unauthorized parts or failure to follow Maintenance Instructions may create a risk of electric shock or injury.

Additional Safety Instructions for Sanders

- **ALWAYS WEAR EYE PROTECTION.**
- **It is not advised to sandpaper painted surfaces that may contain lead.** See page 2 for Precautions to Take When Sanding Paint.
- **Clean your tool out periodically.**
- **Empty dust bag frequently.** Especially when sanding resin coated surfaces such as polyurethane, varnish, shellac, etc. The accumulation of fine sanding dust particles may self ignite and cause fire.
- **Do not operate this tool for long periods of time.** Vibration caused by the operating action of this tool may cause permanent injury to fingers, hands, and arms. Use gloves to provide extra cushion, take frequent rest periods, and limit daily time of use.

WARNING: Some dust created by power sanding, sawing, grinding, drilling, and other construction activities contains chemicals known to cause cancer, birth defects or other reproductive harm. Some examples of these chemicals are:

- lead from lead-based paints,
- crystalline silica from bricks and cement and other masonry products, and
- arsenic and chromium from chemically-treated lumber (CCA).

Your risk from these exposures varies, depending on how often you do this type of work. To reduce your exposure to these chemicals: work in a well ventilated area, and work with approved safety equipment, such as those dust masks that are specially designed to filter out microscopic particles.

- **Avoid prolonged contact with dust from power sanding, sawing, grinding, drilling, and other construction activities. Wear protective clothing and wash exposed areas with soap and water.** Allowing dust to get into your mouth, eyes, or lay on the skin may promote absorption of harmful chemicals.

WARNING: Use of this tool can generate and/or disburse dust, which may cause serious and permanent respiratory or other injury. Always use NIOSH/OSHA approved respiratory protection appropriate for the dust exposure. Direct particles away from face and body.

CAUTION: Wear appropriate hearing protection during use. Under some conditions and duration of use, noise from this product may contribute to hearing loss.

- The label on your tool may include the following symbols.

V.....volts	Aamperes
Hz.....hertz	Wwatts
minminutes	~alternating current
====direct current	n ₀no load speed
□Class II Construction	⊕earthing terminal
▲safety alert symbol	.../min.....revolutions per minute

SAVE THESE INSTRUCTIONS

Motor

Your DeWALT tool is powered by a DeWALT built motor. Be sure your power supply agrees with the nameplate marking (Volts, 120 AC only). A Voltage decrease of more than 10% will cause loss of power and overheating. All tools DeWalt tools are factory tested; if this tool does not operate, check the power supply.

Attaching Abrasive Paper (Fig. 3)

Your sander is designed to use 1/4 sized sanding sheets. This size paper can be made by:

- Cutting full sized (9" x 11") sandpaper into 1/4 sheets of 4-1/2" x 5-1/2".
- Cutting 1/2 sheet sandpaper into two 4-1/2" x 5 1/2" sheets. Pre-cut 4-1/2" x 5-1/2" sandpaper is available at extra cost.

For normal operations, assemble the abrasive paper to your unit as follows.

1. Soften the stiff sandpaper by pulling it over the 90° edge of a table or other straight edge, as shown in Figure 1. Concentrate on softening the edges to be clamped.
2. Release clamp by pulling up on clamp lever and disengaging it from the tab on the base plate. Fig. 2 (A).
3. Insert the 4-1/2" edge of the abrasive paper under the front paper clamp, as shown in Figure 3 until it hits the paper limiting ribs shown in the figure. Close the front paper clamp and hook it into the lock position behind the tab on the base plate.
4. Stretch paper over sanding pad and insert under the opposite clamp in the same way.
5. If you are using the dust extraction feature, perforate the sand- paper with the provided paper punch as shown in Figure 5.

Switch (Fig. 4)

To turn the unit on, depress the side of the dust protected switch that corresponds to the symbol "I". To turn the tool off, depress the side of the switch that corresponds to the symbol "O". See Figure 4.

Paper Punch (Fig. 5)

A paper punch is provided with your sander to let you perforate regular sandpaper to make dust collection possible.

To perforate your sandpaper, install the sandpaper on the tool as instructed in this manual. With the sander turned off and unplugged, place the paper punch on the paper so that the tabs at the edges of the punch are against any two adjacent sides of the sanding pad, as shown. Press the punch against the pad so that the 8 points penetrate the paper, as shown in Figure 6. (Press the punch into the pad as far as it will go.) Remove the paper punch and the paper is ready. An alternate method of perforating the paper is to fasten the punch down to a suitable work surface and press the sander (with the paper attached) down on the punch. Two holes are provided in the punch for this purpose. Use #8 flat head screws.

Dust Collection Bag (Fig. 8)

DUST COLLECTION BAG: NEVER OPERATE THIS TOOL WITH PERFORATED PAPER UNLESS THE DUST COLLECTION BAG IS IN PLACE.

To use the dust collecting system, lower the plastic end of the collection bag over the flange and push it down as far as it will go, as shown.

To empty the dust collection bag, simply lift it up, off of the sander and empty over a trash receptacle.

Operation (Fig. 9)

To operate your sander, grasp it as shown in Figure 9 and turn it on. Move it in long, sweeping strokes along the surface being sanded, letting it do the work. Pushing down on the tool while sanding actually slows the removal rate and produces an inferior quality surface. Be sure to check your work often, this sander is capable of removing material rapidly, especially with coarse paper. Your sander is designed to sand flush on three sides (four sides without the dust collection bag) for sanding in corners, and its small size and light weight make it ideal for overhead work.

The orbital action of your sander allows you to sand with the grain or at any angle across it for most sanding jobs. On the final sanding steps, as discussed below, a better finish will result if you sand only with the grain.

To produce the best finish possible, start with coarse grit sandpaper and change gradually to finer and finer paper. A final sanding with a piece of well worn fine sandpaper will produce a really professional looking finish that in many cases will need no hand sanding at all. The rate at which the dust collection bag will fill up will vary with the type of material being sanded and the coarseness of the sandpaper. For best results, empty the bag frequently and check the opening for clogging.

When sanding painted surfaces, you may find that the sandpaper loads up and clogs with paint. A heat gun will work much better to remove paint before sanding. FOLLOW ALL SAFETY INSTRUCTIONS IN HEAT GUN INSTRUCTION MANUAL.

Precautions To Take When Sanding Paint

1. Sanding of lead based paint is NOT RECOMMENDED due to the difficulty of controlling the contaminated dust. The greatest danger of lead poisoning is to children and pregnant women.
2. Since it is difficult to identify whether or not a paint contains lead without a chemical analysis, we recommend the following precautions when sanding any paint:

PERSONAL SAFETY

- a. No children or pregnant women should enter the work area where the paint sanding is being done until all clean up is completed.
- b. A dust mask or respirator should be worn by all persons entering the work area. The filter should be replaced daily or whenever the wearer has difficulty breathing.
NOTE: Only those dust masks suitable for working with lead paint dust and fumes should be used. Ordinary painting masks do not offer this protection. See your local hardware dealer for the proper N.I.O.S.H. approved mask.
- c. NO EATING, DRINKING or SMOKING should be done in the work area to prevent ingesting contaminated paint particles. Workers should wash and clean up BEFORE eating, drinking or smoking. Articles of food, drink, or smoking should not be left in the work area where dust would settle on them.

ENVIRONMENTAL SAFETY

- a. Paint should be removed in such a manner as to minimize the amount of dust generated.
- b. Areas where paint removal is occurring should be sealed with plastic sheeting of 4 mil thickness.
- c. Sanding should be done in a manner to reduce tracking of paint dust outside the work area.

CLEANING AND DISPOSAL

- a. All surfaces in the work area should be vacuumed and thoroughly cleaned daily for the duration of the sanding project. Vacuum filter bags should be changed frequently.
- b. Plastic drop cloths should be gathered up and disposed of along with any dust chips or other removal debris. They should be placed in sealed refuse receptacles and disposed of through regular trash pick-up procedures.
During clean up, children and pregnant women should be kept away from the immediate work area.
- c. All toys, washable furniture and utensils used by children should be washed thoroughly before being used again.

Tool Care

Keep your machine as clean as possible by wiping with a clean cloth and blowing through it with air after every 5 hours of use.

Don't use harsh chemicals or solvents to clean the tool. These chemicals could seriously damage the plastic.

Avoid overloading your sander. Overloading will result in a considerable reduction in speed and efficiency and the unit will become hot. In this event, run sander at a "no load" condition for a minute or two.

Brush Replacement (Fig 10 & 11)

TURN OFF AND UNPLUG THE SANDER

To replace the tool's brushes, remove the three screws located in the top cap, as shown in Figure 10.

Lift off the top cap. Observe the brush holders, as shown in Figure 11 and the wires leading from the brushes to the motor field.

Pull the wires from the motor field and then lift and hold out of the way one of the brush springs. Remove the old brush from the brush holder and discard the brush/wire assembly. Still holding the brush spring out of the way, insert the new brush, release the spring against the back of the brush and plug the wire into the motor field. Repeat the procedure for the second brush.

Replace the top cap and tighten the three screws that hold it in place. (Always replace both brushes.)

Accessories

Recommended accessories for use with your tool are available at extra cost from your local dealer or authorized service center. If you need assistance in locating any accessory for your tool, please contact DeWALT Industrial Tool Co., 701 East Joppa Road, Baltimore, MD 21286, call 1-800-4-DeWALT (1-800-433-9258) or visit our website www.dewalt.com.

CAUTION: The use of any other accessory not recommended for use with this tool could be hazardous.

DUST EXTRACTION HOSE ADAPTOR (DW4111)

Slides over flange at rear of tool, as shown in Figure 12. Accepts a variety of vacuum hoses for dust extraction.

6" CIRCULAR PLATEN (DW4112)

Includes 6" dia. round sanding pad for sanding irregular shapes where extra flexibility may be desired.

To install the circular platen, remove the four screws in the bottom of the sanding pad and remove the pad and the rectangular platen. Replace with the circular platen and the 6" diameter sanding pad using the same four screws.

Accepts 6" dia. adhesive backed sanding discs only.

NOTE: Recommended accessories for this tool are listed in this manual. The use of any other accessories may be hazardous.

Lubrication

Self lubricating bearings are used in the tool and periodic relubrication is not required. However, it is recommended that, once a year, you take or send the tool to a service center for a thorough cleaning and inspection.

Repairs

To assure product SAFETY and RELIABILITY, repairs, maintenance and adjustment (including brush inspection and replacement) should be performed by a DeWALT factory service center, a DeWALT authorized service center or other qualified service personnel. Always use identical replacement parts.

Three Year Limited Warranty

DeWALT will repair, without charge, any defects due to faulty materials or workmanship for three years from the date of purchase. This warranty does not cover part failure due to normal wear or tool abuse. For further detail of warranty coverage and warranty repair information, visit www.dewalt.com or call 1-800-4-DeWALT (1-800-433-9258). This warranty does not apply to accessories or damage caused where repairs have been made or attempted by others. This warranty gives you specific legal rights and you may have other rights which vary in certain states or provinces.

FIG. 1

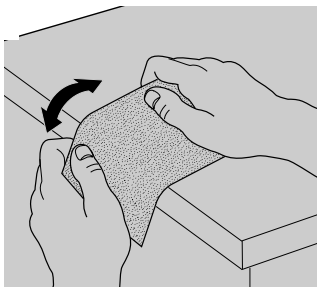


FIG. 3

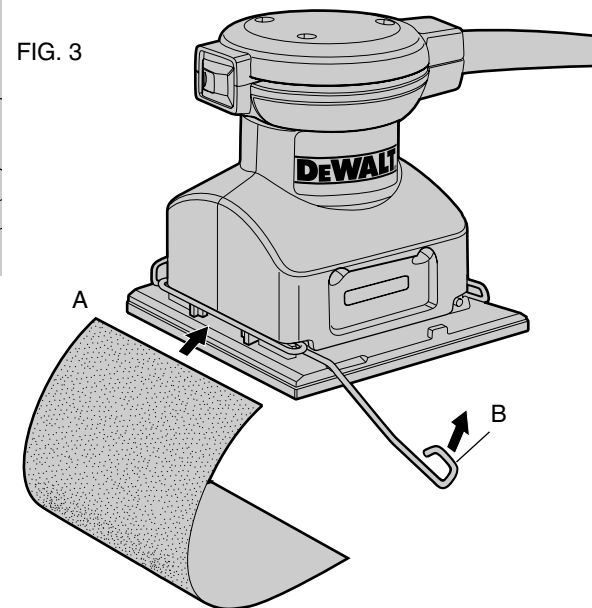


FIG. 2

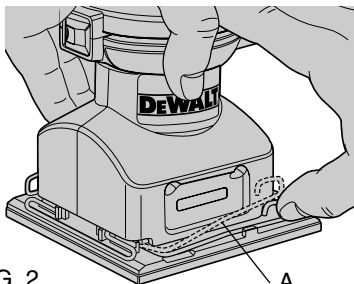


FIG. 4

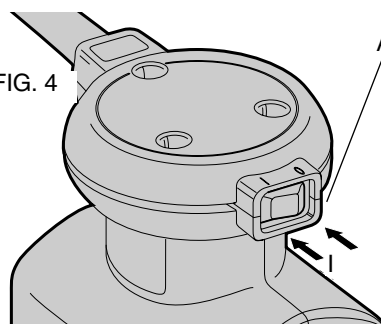


FIG. 5

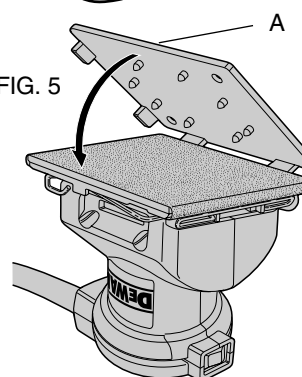


FIG. 6

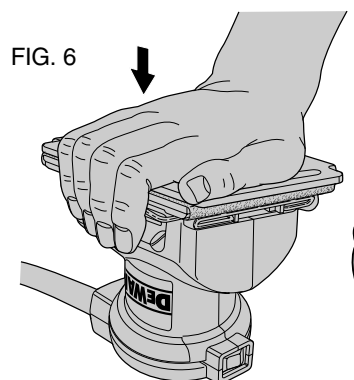


FIG. 8

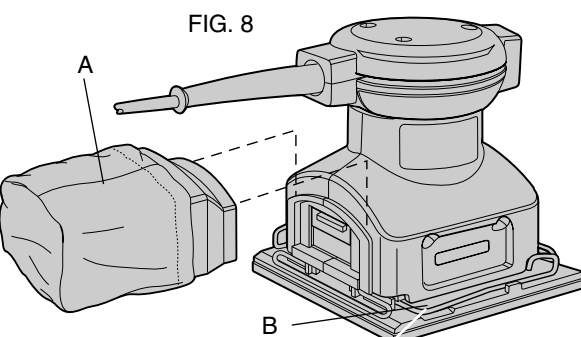


FIG. 9

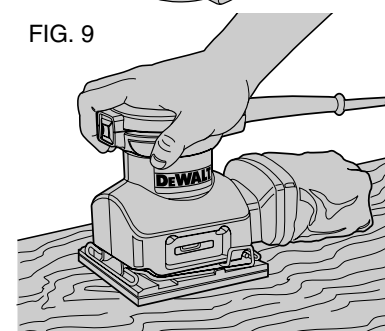


FIG. 10

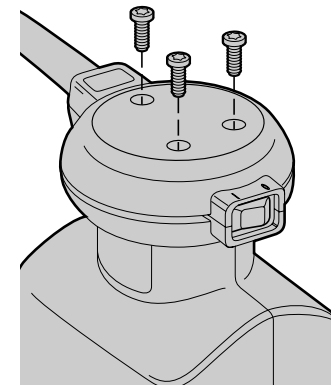


FIG. 11

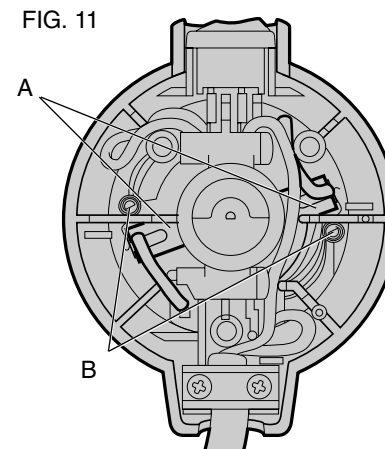
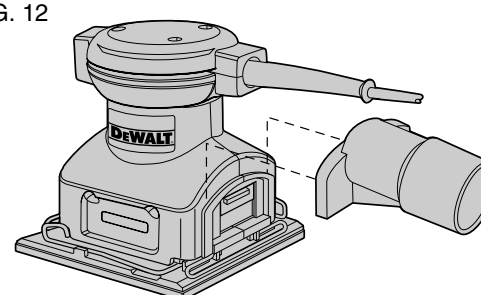


FIG. 12



In addition to the warranty, DeWALT tools are covered by our:

1 YEAR FREE SERVICE

DeWALT will maintain the tool and replace worn parts caused by normal use, for free, any time during the first year after purchase.

90 DAY MONEY BACK GUARANTEE

If you are not completely satisfied with the performance of your DeWALT Power Tool, Laser, or Nailer for any reason, you can return it within 90 days from the date of purchase with a receipt for a full refund – no questions asked.

LATIN AMERICA: This warranty does not apply to products sold in Latin America. For products sold in Latin America, see country specific warranty information contained either in the packaging, call the local company or see website for warranty information.

FREE WARNING LABEL REPLACEMENT: If your warning labels become illegible or are missing, call 1-800-4-DeWALT for a free replacement.

POUR TOUT RENSEIGNEMENT SUPPLÉMENTAIRE SUR CET OUTIL OU TOUT AUTRE OUTIL DEWALT, COMPOSER SANS FRAIS LE NUMÉRO SUIVANT : 1 800 4-DeWALT (1 800 433-9258)

Importantes mesures de sécurité

AVERTISSEMENT! Lire et comprendre toutes les directives. Le non-respect de toutes les directives suivantes présente des risques de secousses électriques, d'incendie ou de blessures graves.

CONSERVER CES MESURES

ZONE DE TRAVAIL

- S'assurer que la zone de travail est propre et bien éclairée. Des établis encombrés et des endroits sombres présentent des risques d'accidents.
- Ne pas utiliser des outils électriques en présence de vapeurs explosives (comme celles dégagées par des liquides, des gaz ou des poussières inflammables). Les étincelles générées par le moteur des outils électriques peuvent enflammer les poussières ou les vapeurs.
- Éloigner les curieux, les enfants et les visiteurs de la zone de travail lorsqu'on utilise un outil électrique. Une distraction peut entraîner la perte de maîtrise de l'outil.

MESURES DE SÉCURITÉ RELATIVES À L'ÉLECTRICITÉ

- Les outils mis à la terre doivent être branchés dans une prise bien installée et mise à la terre conformément à tous les codes et règlements en vigueur. Ne jamais retirer la broche de terre ni modifier la fiche. Ne pas utiliser d'adaptateur pour fiche. Vérifier auprès d'un électricien certifié en cas de doute quant à la mise à la terre de la prise.** En cas de défaillance électrique ou de bris de l'outil, la mise à la terre procure un chemin de faible résistance au courant qui autrement traverserait l'utilisateur. **Valable seulement pour les outils de classe I (mis à la terre).**
- Les outils à double isolation comportent une fiche polarisée (une lame plus large que l'autre). La fiche n'entre que d'une façon dans une prise polarisée. Lorsque la fiche n'entre pas à fond dans la prise, essayer de nouveau après avoir inversé les broches de la fiche. Si la fiche n'entre toujours pas dans la prise, communiquer avec un électricien certifié afin de faire installer une prise polarisée.** Ne modifier en aucune façon la fiche. La double isolation élimine le besoin d'un cordon trifilaire mis à la terre et d'un système d'alimentation mis à la terre. **Valable seulement pour les outils de classe II (à double isolation).**
- Éviter de toucher à des surfaces mises à la terre comme des tuyaux, des radiateurs, des cuisinières et des réfrigérateurs.** Les risques de secousses électriques sont plus élevés si le corps de l'utilisateur est mis à la terre.
- Protéger les outils électriques de la pluie ou des conditions mouillées.** Une infiltration d'eau dans l'outil augmente les risques de secousses électriques.
- Manipuler le cordon avec soin. Ne jamais se servir du cordon afin de transporter l'outil ni tirer sur le cordon pour débrancher l'outil.** Éloigner le cordon des sources de chaleur, des flaques d'huile, des arêtes tranchantes et des pièces mobiles. Remplacer immédiatement les cordons endommagés. Les cordons endommagés augmentent les risques de secousses électriques.
- Lorsqu'on utilise un outil électrique à l'extérieur, se servir d'un cordon de rallonge prévu pour l'extérieur, portant la mention «W-A» ou «W».** Ces cordons sont conçus pour servir à l'extérieur et minimisent les risques de secousses électriques.

Calibre minimal des cordons de rallonge						
TensionLongueur totale du cordon en meters						
120 V	De 0 à 7	De 7 à 15	De 15 à 30	De 30 à 45		
240 V	De 0 à 7	De 7 à 15	De 15 à 39	De 30 à 45		
Intensité (A)						
	Au moins	Au plus	Calibre moyen de fil			
	0	- 6	18	16	16	14
	6	- 10	18	16	14	12

SÉCURITÉ PERSONNELLE

- Demeurer vigilant, prendre soin et faire preuve de jugement lorsqu'on utilise un outil électrique. Ne pas s'en servir lorsqu'on est fatigué ou affaibli par des drogues, de l'alcool ou des médicaments.** De graves blessures peuvent résulter d'un moment d'inattention lors de l'utilisation d'un outil électrique.
- Porter des vêtements appropriés; ne pas porter de vêtements amples, de gants ni de bijoux, et couvrir ou attacher les cheveux longs, car ceux-ci peuvent rester coincés dans les pièces mobiles.** Se tenir éloigné des événements puisque ces derniers pourraient camoufler des pièces mobiles.
- Éviter les démarrages accidentels. S'assurer que l'interrupteur est en position hors tension avant de brancher l'outil.** Afin d'éviter les risques de blessures, ne pas transporter l'outil avec le doigt sur l'interrupteur ni brancher un outil dont l'interrupteur est en position sous tension.
- Enlever les clés de réglage avant de mettre l'outil sous tension.** Une clé qui est laissée sur une pièce rotative de l'outil présente des risques de blessures.
- Ne pas dépasser sa portée. Garder son équilibre en tout temps.** On s'assure d'une meilleure maîtrise de l'outil dans des situations imprévues grâce à une position stable et un bon équilibre.
- Porter de l'équipement de sécurité. Toujours porter des lunettes de sécurité.** Dans certaines conditions, il faut porter des masques respiratoires, des chaussures antidérapantes, un casque de sécurité ou des protège-tympans.

UTILISATION ET ENTRETIEN DE L'OUTIL

- Utiliser des pinces de serrage ou de tout autre moyen pratique afin de fixer et de soutenir la pièce à ouvrir sur une plate-forme stable.** La pièce est instable lorsqu'elle est retenue par la main ou le corps de l'utilisateur. Cela présente des risques de perte de maîtrise de l'outil.
- Ne pas forcer l'outil. Utiliser l'outil approprié à la tâche.** L'outil approprié fonctionne mieux et sûrement lorsqu'on s'en sert à son rendement nominal.
- Ne pas se servir de l'outil lorsque l'interrupteur est défectueux.** Le cas échéant, l'outil est dangereux et il faut le réparer.
- Débrancher l'outil de la source d'alimentation avant de le régler, d'en remplacer les accessoires ou de le ranger.** On minimise de la sorte le risque de démarrage accidentel de l'outil.
- Ranger l'outil hors de portée des enfants et de toute autre personne qui n'en connaît pas le fonctionnement.** L'outil est dangereux entre les mains de ces personnes.
- Prendre soin des outils. S'assurer que les outils de coupe sont tranchants et propres.** Des outils bien entretenus à arêtes tranchantes ont moins tendance à se coincer et ils se maîtrisent mieux.
- Vérifier l'alignement et les attaches des pièces mobiles, le degré d'usure des pièces ainsi que tout autre facteur susceptible de nuire au bon fonctionnement de l'outil.** Faire réparer un outil endommagé avant de s'en servir. Des outils mal entretenus sont la cause de nombreux accidents.
- Utiliser seulement les accessoires recommandés par le fabricant.** Des accessoires qui conviennent à un outil peuvent présenter des risques avec un autre outil.

ENTRETIEN

- Confier l'entretien de l'outil seulement à du personnel qualifié.** Le non-respect de la présente directive présente des risques de blessures.
- Lors de l'entretien de l'outil, utiliser seulement des pièces de rechange identiques. Respecter les consignes relatives à l'entretien du présent guide d'utilisation.** Il y a risque de secousses électriques ou de blessures lorsqu'on utilise des pièces non autorisées ou lorsqu'on ne respecte pas les consignes relatives à l'entretien.

Mesures de sécurité propres aux ponceuses

- TOUJOURS PORTER DES LUNETTES DE SÉCURITÉ AINSI QU'UN RESPIRATEUR LORSQU'ON EFFECTUE DES TRAVAUX DE PONÇAGE.**
- Il n'est pas conseillé de poncer des surfaces recouvertes de peinture à base de plomb.** Consulter la page 3 pour connaître les directives particulières portant sur le ponçage des surfaces recouvertes de peinture.
- Ne pas utiliser l'outil sans l'écran antipoussière.
- Vider fréquemment le sac à poussière, surtout lorsqu'on ponce une surface enduite de résine synthétique, telle que le polyuréthane, le vernis, le vernis à la gomme laque, etc.** La poussière qui s'accumule durant le ponçage pourrait s'enflammer et causer un incendie.
- Ne pas utiliser cet outil pendant des périodes prolongées.** Les vibrations causées par l'action de fonctionnement de l'outil peuvent blesser en permanence les doigts, les mains et les bras. Porter des gants pour amortir les vibrations, faire des pauses fréquentes et limiter le temps d'utilisation quotidien de l'outil.

▲ AVERTISSEMENT : Certains outils, tels que les sableuses électriques, les scies, les meules, les perceuses ou certains autres outils de construction, peuvent soulever de la poussière contenant des produits chimiques susceptibles d'entraîner le cancer, des malformations congénitales ou pouvant être nocifs pour le système reproductif. Parmi ces produits chimiques, on retrouve :

- le plomb dans les peintures à base de plomb;
- la silice cristalline dans les briques et le ciment et autres produits de maçonnerie;
- l'arsenic et le chrome dans le bois de sciage ayant subi un traitement chimique (CCA).

Le risque associé à de telles expositions peut varier selon la fréquence avec laquelle on effectue ces travaux. Pour réduire l'exposition à de tels produits, il faut travailler dans un endroit bien ventilé et utiliser l'équipement de sécurité approprié tel un masque anti-poussières spécialement conçu pour filtrer les particules microscopiques.

- Éviter tout contact prolongé avec la poussière soulevée par cet outil ou autres outils électriques. Porter des vêtements de protection et nettoyer les parties exposées du corps avec de l'eau savonneuse.** S'assurer de bien se protéger afin d'éviter d'absorber par la bouche, les yeux ou la peau des produits chimiques nocifs.

▲ AVERTISSEMENT : Cet outil peut produire et répandre de la poussière susceptible de causer des dommages sérieux et permanents au système respiratoire. Toujours utiliser un appareil respiratoire anti-poussières approuvé par le NIOSH ou l'OSHA. Diriger les particules dans le sens opposé du visage et du corps.

▲ MISE EN GARDE : porter un dispositif de protection personnel anti-bruit approprié durant l'utilisation. Sous certaines conditions et pendant toute la durée de l'utilisation, le bruit émanant de ce produit pourrait contribuer à la perte d'audition.

- L'étiquette de l'outil peut comporter les symboles suivants.

V.....volts	Aampères
Hz.....hertz	Wwatts
minminutes	~courant alternatif
====courant continu	nosous vide
☐construction de classe II	⚠borne de mise à la minute
▲symbole d'avertissement	.../mintours ou courses à la minute

CONSERVER CES MESURES

Moteur

Un moteur DEWALT alimente l'outil DEWALT. Veiller à ce que la tension d'alimentation soit conforme aux exigences de la plaque signalétique de l'outil (120 volts c.a. seulement). Une baisse de tension de plus de 10 p. 100 entraîne une perte de puissance et la surchauffe. Tous les outils sont essayés avant de quitter l'usine. Lorsque celui-ci refuse de fonctionner, vérifier la source de courant électrique.

Installation du papier abrasif

La ponceuse est conçue pour utiliser du papier de 1/4 feuille. On peut obtenir du papier de cette dimension de l'une des façons suivantes.

- En découpant un morceau de papier abrasif de dimensions standard (9 po sur 11 po) pour avoir des morceaux de 1/4 feuille (4-1/2 po sur 5-1/2 po).
- En découpant une demi-feuille de papier abrasif en deux morceaux de 1/4 feuille (4-1/2 po sur 5-1/2 po). On peut également acheter séparément du papier abrasif en 1/4 feuille.

Pour effectuer des travaux de ponçage, il suffit d'installer le papier abrasif sur la ponceuse comme suit.

- Ramollir le papier abrasif en le frottant contre un rebord à 90° d'une table ou de tout autre angle droit, comme l'illustre la figure 1, il faut surtout ramollir les côtés du papier à insérer dans les pinces de la ponceuse.
- Dégager la pince en soulevant le levier de la pince et en le sortant de la patte de la platine (voir la figure 2).
- Insérer l'extrémité de 4-1/2 po du papier abrasif sous la pince avant, comme le montre la figure 3, jusqu'à ce qu'elle touche les nervures de blocage du papier illustrées, puis refermer la pince avant et la bloquer en place en plaçant le crochet dans la patte de la platine.
- Étirer le papier sur le tampon et en insérer l'autre extrémité sous l'autre pince de la même façon.
- Lorsqu'on se sert du système de dépoussiérage, perforer le papier abrasif à l'aide du poinçon compris en suivant les directives.

Interrupteur (fig. 4)

Pour actionner l'outil, appuyer sur l'extrémité «I» de l'interrupteur sous capsule le protégeant de la poussière. Pour l'arrêter, il faut appuyer sur l'extrémité «O». Voir la figure 4.

Poinçon (fig. 5)

L'emballage de la ponceuse comprend un poinçon afin d'utiliser du papier abrasif ordinaire avec le système de dépoussiérage.

Pour perforer le papier abrasif, l'installer sur la ponceuse en suivant les instructions du présent guide. S'assurer que la ponceuse est débranchée et en position d'arrêt, puis placer le poinçon contre le papier de sorte que les pattes sur les côtés du poinçon s'appuient contre deux côtés adjacents du papier abrasif, comme l'illustre la figure 5. Enfoncer le poinçon dans le tampon de sorte que les 8 points traversent le papier, comme le montre la figure 6. (Enfoncer le poinçon le plus profondément possible dans le tampon.) Retirer ensuite le poinçon et le papier peut alors être utilisé avec le système de dépoussiérage.

On peut également perforer le papier abrasif en fixant le poinçon à une surface de travail appropriée et en appuyant la ponceuse (munie de papier) sur le poinçon. Le poinçon est doté de deux trous afin de pouvoir le fixer à la surface de travail. Utiliser des vis à tête plate n° 8.

Sac à poussière (fig. 8)

SAC À POUSSIÈRE : NE JAMAIS UTILISER L'OUTIL AVEC DU PAPIER PERFORÉ SAUF SI LE SAC À POUSSIÈRE EST EN PLACE.

Pour se servir du système de dépoussiérage, il faut abaisser l'extrémité en plastique du sac à poussière sur la bride et faire glisser le sac au maximum vers le bas, comme l'illustre la figure 8. Pour vider le sac à poussière, il suffit de le soulever jusqu'à ce qu'il se dégage de la ponceuse et de le vider dans une poubelle.

Fonctionnement (fig. 9)

Pour poncer, saisir l'outil de la façon illustrée à la figure 9 et le mettre en marche. Imprimer à la ponceuse de longs mouvements de va-et-vient et lui laisser faire l'effort. Un excès de pression contre la ponceuse diminue le taux de ponçage et donne un fini de moindre qualité. Examiner souvent la surface tout en ponçant; l'outil décape rapidement, surtout lorsqu'il est muni de papier abrasif rude.

La ponceuse est conçue pour le travail à ras sur trois faces (quatre lorsqu'on ne se sert pas du sac à poussière) et pour aller dans les coins d'accès difficile. Sa taille et son poids minime en font l'outil idéal pour poncer au-dessus de la tête.

Le mouvement orbital de la ponceuse permet de poncer tant contre que dans le sens des fibres du bois. Au dernier ponçage (voir plus loin), il vaut mieux suivre les fibres du bois pour obtenir un beau fini.

Pour obtenir le fini le plus doux qui soit, commencer à poncer avec du papier abrasif rude pour ensuite utiliser du papier de plus en plus doux. Poncer une dernière fois avec du papier très fin usé pour obtenir un fini professionnel qui met fin au besoin de finir le ponçage à la main.

La vitesse de remplissage du sac à poussière varie selon le type de matériau poncé et la granulosité du papier abrasif. Afin d'optimiser le rendement, vider souvent le sac à poussière et s'assurer que l'orifice de dépoussiérage n'est pas bloqué.

Lorsqu'on ponce des surfaces peintes, le papier abrasif s'engomme rapidement. Il est préférable d'utiliser au préalable un pistolet chauffant pour enlever la peinture. RESPECTER LES INSTRUCTIONS RELATIVES À L'UTILISATION DU PISTOLET CHAUFFANT QUI SE TROUVENT DANS LE GUIDE D'UTILISATION DE CE DERNIER.

Mesures à prendre lors du ponçage de peinture

- IL N'EST PAS RECOMMANDÉ de poncer de la peinture à base de plomb puisqu'il est difficile d'en maîtriser la poussière contaminée. Ce genre de ponçage présente de sérieux risques d'empoisonnement au plomb pour les femmes enceintes et les enfants.
- Puisqu'il est difficile de déterminer si la peinture renferme du plomb sans en faire une analyse chimique, il est conseillé de se conformer aux mesures suivantes lors du ponçage de tout type de peinture.

SÉCURITÉ PERSONNELLE

- Ne laisser aucun enfant ni aucune femme enceinte entrer dans la pièce où il y a ponçage de peinture jusqu'à ce que la pièce soit nettoyée.
- Toute personne entrant dans la pièce de travail devrait porter un masque ou un appareil respiratoire. L'utilisateur devrait remplacer le filtre chaque jour ou dès qu'il éprouve de la difficulté à respirer.

NOTE : Il faut seulement utiliser des masques conçus pour le travail en présence de poussières ou de vapeurs de plomb. Les masques ordinaires ne sont pas conçus à cet effet. Consulter le quincaillier pour choisir le masque approprié.

- IL EST INTERDIT DE MANGER, DE BOIRE ET DE FUMER dans la pièce de travail afin de ne pas ingérer des particules contaminées. L'utilisateur doit se laver et se nettoyer AVANT de

manger, de boire ou de fumer. Il ne faut pas laisser dans la pièce de travail de la nourriture, des boissons ou des cigarettes car de la poussière pourrait se déposer sur ces articles.

PROTECTION DE L'ENVIRONNEMENT

- Il faut enlever la peinture de manière à produire un minimum de poussière.
- Il faut sceller la zone de travail à l'aide de feuilles de plastique d'une épaisseur minimale de 4 mils.
- Il faut poncer de façon à réduire la propagation de la poussière hors de la pièce de travail.

NETTOYAGE ET DÉCHETS

- Il faut bien aspirer toutes les surfaces de la pièce de travail et les nettoyer à fond chaque jour pendant la durée des travaux. Il faut remplacer fréquemment le filtre de l'aspirateur.
- Ramasser les feuilles de plastique et les jeter avec la poussière et les autres débris dans des contenants étanches à placer avec les ordures ménagères pour l'enlèvement. Tenir les enfants et les femmes enceintes à l'écart de la zone de travail pendant les travaux de nettoyage.
- Il faut nettoyer à fond les jouets, les meubles et les ustensiles des enfants avant de les utiliser de nouveau.

Entretien de l'outil

Garder l'outil le plus propre possible en l'essuyant avec un chiffon propre et en soufflant de l'air dans ses ouvertures après chaque 5 heures d'utilisation.

Ne pas utiliser de produits chimiques ni de solvants puissants pour le nettoyer. Ces produits peuvent endommager le plastique.

Éviter la surcharge de l'outil car elle cause une importante réduction de sa vitesse et de son rendement. De plus, la surcharge occasionne la surchauffe. Dans ce cas, faire fonctionner la ponceuse à vide pendant une ou deux minutes.

Remplacement des balais (fig. 10, 11)

METTRE LA PONCEUSE HORS TENSION ET LA DÉBRANCHER.

Pour remplacer les balais de la ponceuse, il faut retirer les trois vis qui se trouve dans le couvercle de l'outil, comme le montre la figure 10.

Retirer le couvercle. Examiner les porte-balais, comme l'illustre la figure 11, et les fils qui vont des balais au champ du moteur.

Retirer les fils du champ du moteur, puis soulever et éloigner un des ressorts de balais. Enlever l'ancien balai du porte-balai et jeter l'assemblage fil-balai. Tout en tenant éloigné le ressort de balai, insérer un nouveau balai en place et laisser retourner le ressort jusqu'à ce qu'il repose contre l'arrière du balai, puis brancher le fil dans le champ du moteur. Répéter ces étapes pour le deuxième balai.

Remettre le couvercle en place et serrer les trois vis qui le retiennent. (Toujours remplacer les deux balais.)

Accessoires

Des accessoires recommandés pour l'utilisation avec l'outil sont disponibles à un coût supplémentaire auprès du détaillant ou du centre de service autorisé local. Afin d'obtenir de l'aide pour se procurer un accessoire destiné à cet outil, veuillez communiquer avec DEWALT Industrial Tool Co., 701 East Joppa Road, Baltimore, MD 21286, États-Unis, composer le 1(800) 4-DEWALT (1-800-433-9258) ou visiter notre site Web à www.dewalt.com.

▲ MISE EN GARDE : *L'utilisation de tout autre accessoire non recommandé avec cet outil pourrait être dangereux.*

Adaptateur pour boyau d'aspirateur (Modèle DW4111)

Faire glisser sur la bride à l'arrière de l'outil (fig. 12). Il accepte différents types de boyaux d'aspirateur pour le dépoussiérage.

Platine circulaire de 152 mm (6 po) (Modèle DW4112)

L'emballage comprend un tampon abrasif circulaire de 152 mm (6 po) afin de poncer les formes irrégulières.

Pour installer la platine circulaire, retirer les quatre vis de sous le tampon abrasif, puis retirer ce dernier et la platine rectangulaire. Remplacer celle-ci par la platine circulaire et le tampon abrasif circulaire de 152 mm (6 po) de diamètre en se servant des quatre vis.

La platine accepte seulement des disques abrasifs à revers autocollant de 152 mm (6 po) de diamètre.

NOTE : L'utilisation de tout accessoire autre que ceux recommandés dans le présent guide peut être dangereuse.

Lubrification

La ponceuse est montée sur des roulements autolubrifiants qui ne requièrent pas de lubrification périodique. Il est toutefois conseillé de confier l'outil chaque année au personnel d'un centre de service afin qu'il y subisse une inspection et un nettoyage complets.

Réparations

Pour assurer la SÉCURITÉ et la FIABILITÉ du produit, les réparations, l'entretien et les réglages (y compris l'inspection et le remplacement de la brosse) doivent être réalisés par un centre de réparation en usine DEWALT, un centre de réparation autorisé DEWALT ou par un personnel de réparation professionnel. Toujours utiliser des pièces de rechange identiques.

Garantie limitée de trois ans

DEWALT réparera, sans frais, tout produit défectueux causé par un défaut de matériel ou de fabrication pour une période de trois ans à compter de la date d'achat. La présente garantie ne couvre pas les pièces dont la défectuosité a été causée par une usure normale ou l'usage abusif de l'outil. Pour obtenir de plus amples renseignements sur les pièces ou les réparations couvertes par la présente garantie, visiter le site www.dewalt.com ou composer le 1 800 433-9258 (1 800 4-DEWALT). Cette garantie ne s'applique pas aux accessoires et ne vise pas les dommages causés par des réparations effectuées par un tiers. Cette garantie confère des droits légaux particuliers à l'acheteur, mais celui-ci pourrait aussi bénéficier d'autres droits variant d'un état ou d'une province à l'autre.

En plus de la présente garantie, les outils DEWALT sont couverts par notre :

CONTRAT D'ENTRETIEN GRATUIT D'UN AN

DEWALT entretiendra l'outil et remplacera les pièces usées au cours d'une utilisation normale et ce, gratuitement, pendant une période d'un an à compter de la date d'achat, et la

GARANTIE DE REMBOURSEMENT DE 90 JOURS

Si l'acheteur n'est pas entièrement satisfait, pour quelque raison que ce soit, du rendement de l'outil électrique, du laser ou de la cloueuse DEWALT, celui-ci peut le retourner, accompagné d'un reçu, dans les 90 jours à compter de la date d'achat, pour obtenir un remboursement intégral, sans aucun problème.

AMÉRIQUE LATINE : Cette garantie ne s'applique aux produits vendus en Amérique latine. Pour ceux-ci, veuillez consulter les informations relatives à la garantie spécifique présente dans l'emballage, appeler l'entreprise locale ou consulter le site Web pour les informations relatives à cette garantie.

REPLACEMENT GRATUIT DE L'ÉTIQUETTE : Si vos étiquettes d'avertissement deviennent illisibles ou sont manquantes, composez le 1-800-4-DEWALT pour obtenir une étiquette de remplacement gratuite.

Reglas generales de seguridad

▲ ¡ADVERTENCIA! Lea y comprenda todas las instrucciones. *No hacerlo puede originar riesgos de choque eléctrico, incendio y lesiones personales de gravedad.*

CONSERVE ESTAS INSTRUCCIONES

ÁREA DE TRABAJO

- Conserve su área de trabajo limpia y bien iluminada.** *Las bancas con objetos amontonados y las zonas oscuras propician los accidentes.*
- No opere herramientas eléctricas en atmósferas explosivas, como en presencia de líquidos, gases o polvos inflamables.** *Las herramientas eléctricas producen chispas que pueden originar la ignición de los polvos o los vapores.*
- Conserve a observadores, niños y visitantes alejados mientras opera una herramienta eléctrica.** *Las distracciones pueden ocasionar que pierda el control.*

SEGURIDAD ELÉCTRICA

- Las herramientas con conexión a tierra deben conectarse a una toma de corriente instalada y aterrizada correctamente de conformidad con todos los códigos y regulaciones locales. Nunca elimine la pata de conexión a tierra ni modifique la clavija en ninguna manera. No utilice clavijas adaptadoras. Consulte con un electricista calificado si tiene dudas acerca de la conexión correcta a tierra de su toma de corriente.** *En el caso que su herramienta tenga una falla eléctrica, el aterrizaje proporciona una vía de baja resistencia para llevar la electricidad lejos del operador. **Aplicable únicamente a herramientas Clase I (con conexión a tierra).***
- Las herramientas con doble aislamiento están equipadas con una clavija polarizada (con una pata más ancha que la otra.) Esta clavija se acoplará únicamente en una toma de corriente polarizada de una manera. Si la clavija no se acopla al contacto, inviértala.** *Si aún así no se ajusta, comuníquese con un electricista calificado para que le instalen una toma de corriente polarizada apropiada. El doble aislamiento elimina la necesidad de cables con tres hilos y sistemas de alimentación con conexión a tierra. **Aplicable a herramientas Clase II (con doble aislamiento).***
- Evite el contacto corporal con superficies aterrizadas tales como tuberías, radiadores, hornos y refrigeradores.** *Hay un gran riesgo de choque eléctrico si su cuerpo hace tierra.*
- No exponga las herramientas eléctricas a la lluvia o a condiciones de mucha humedad.** *El agua que se introduce en las herramientas aumenta el riesgo de descargas eléctricas.*
- No maltrate el cable. Nunca tome el cable para transportar una herramienta ni para desconectarla de la toma de corriente. Consérvelo alejado de calor aceite, bordes afilados o piezas móviles. Cambie inmediatamente los cables dañados.** *Los cables dañados aumentan el riego de choque eléctrico.*
- Cuando opere una herramienta eléctrica a la intemperie, utilice una extensión marcada “W-A” o “W”.** *Estas extensiones están clasificadas para uso a la intemperie y para reducir el riesgo de choques eléctricos.*

	Calibre mínimo para cordones de extensión			
Volts	Longitud total del cordón en metros			
120V	0-7,6	7,6-15,2	15,2-30,4	30,4-45,7
240V	0-15,2	15,2-30,4	30,4-60,9	60,9-91,4
Amperaje				
Más de	No más de	Calibre del cordón AWG		
0	- 6	18	16	16
6	- 10	18	16	14

SEGURIDAD PERSONAL

- Esté alerta, concéntrese en lo que está haciendo. Recurra al sentido común cuando opere una herramienta eléctrica. No opere ninguna herramienta si se encuentra fatigado o bajo la influencia de drogas, alcohol o medicamentos.** *Un momento de desatención mientras se operan herramientas eléctricas puede ocasionar lesiones graves.*
- Vístase adecuadamente. No utilice ropa floja o joyas. Cubra su cabello. Conserve su cabello, ropas y guantes alejados de las piezas móviles.** *Las piezas de vestir flojas, las joyas y el cabello largo pueden resultar atrapados por las piezas móviles. Las rejillas de ventilación cubren partes móviles y también deben evitarse.*
- Evite el encendido accidental. Asegúrese que el interruptor esté en posición de apagado antes de conectar.** *Sostener una herramienta con el dedo en el interruptor o conectarla sin fijarse si el interruptor está en posición de encendido propicia los accidentes.*
- Retire las llaves de ajuste antes de encender la herramienta.** *Una llave que se deja en una pieza giratoria puede ocasionar lesiones personales.*
- No se sobreexienda. Conserve siempre los pies bien apoyados, al igual que el equilibrio.** *La posición correcta de los pies y el equilibrio permiten controlar mejor la herramienta en situaciones inesperadas.*
- Utilice equipo de seguridad. Siempre utilice protección en los ojos.** *Se deben utilizar mascarillas contra polvo, zapatos antiderrapantes, casco o protectores para los oídos para tener las condiciones apropiadas.*

USO Y CUIDADOS DE LA HERRAMIENTA

- Utilice prensas u otros medios prácticos para asegurar y apoyar la pieza de trabajo en una plataforma estable.** *Sujetar las piezas con la mano o contra su cuerpo es inestable y puede originar la pérdida de control.*
- No fuerce la herramienta. Utilice la herramienta apropiada para su aplicación.** *La herramienta apropiada hará el trabajo mejor y de manera más segura bajo las especificaciones para las que se diseñó.*
- No utilice la herramienta si el interruptor no enciende y apaga.** *Cualquier herramienta que no pueda controlarse por medio del interruptores peligrosa y debe repararse.*
- Desconecte la clavija de la toma de corriente antes de hacer cualquier ajuste, cambio de accesorios o de guardar la herramienta.** *Tales medidas de seguridad preventivas reducirán el riesgo de que la herramienta se encienda accidentalmente.*
- Guarde las herramientas fuera del alcance de los niños y de otras personas no capacitadas.** *Las herramientas son peligrosas en manos de personas no capacitadas.*
- Cuide sus herramientas. Conserve las herramientas de corte afiladas y limpias.** *Las herramientas que reciben un mantenimiento adecuado, con piezas de corte afiladas, difícilmente se atascan y son más fáciles de controlar.*
- Verifique la alineación de las piezas móviles, busque fracturas en las piezas y cualesquiera otras condiciones que puedan afectar la operación de las herramientas.** *Si está dañada, lleve su herramienta a servicio antes de usarla de nuevo. Muchos accidentes se deben a herramientas con mantenimiento pobre.*
- Solamente use accesorios que el fabricante recomiende para el modelo de su herramienta.** *Los accesorios que estén diseñados para una herramienta, pueden volverse peligrosos cuando se emplean con otra.*

SERVICIO

- El servicio a las herramientas lo debe efectuar únicamente personal calificado.** *El servicio o mantenimiento realizado por personal no calificado puede originar riesgos de lesiones.*
- Cuando efectúe servicio a una herramienta, utilice únicamente refacciones idénticas. Siga las instrucciones de la sección de Mantenimiento de este manual.** *El empleo de piezas no autorizadas o no seguir las instrucciones de mantenimiento puede originar riegos de choque eléctrico o lesiones.*

Instrucciones de seguridad especiales para lijadoras

- SIEMPRE UTILICE PROTECCIÓN PARA LOS OJOS Y UN RESPIRADOR CUANDO LIJE.**
- No se recomienda el lijado de pintura con base de plomo. Vea en la página 5 algunas precauciones adicionales para lijar pintura.*
- No opere la unidad sin la cubierta de polvo.*
- Vacíe frecuentemente la bolsa para el polvo.** *Especialmente cuando lije superficies cubiertas con resinas tales como poliuretano, barniz, laca, etc. La acumulación del polvo fino producido en el lijado puede inflamarse solo y causar un incendio.*
- No opere esta herramienta durante periodos largos de tiempo.** *La vibración causada por la acción de operación de la herramienta puede causar lesiones permanentes a sus dedos, manos y brazos. Use guantes para un mejor amortiguamiento, descanse con frecuencia y limite el tiempo diario de uso.*

▲ ADVERTENCIA : Parte del polvo creado al lijar, aserruchar, moler o perforar con máquina, así como al realizar otras actividades de la construcción, contiene sustancias químicas que se sabe producen cáncer, defectos congénitos u otras afecciones reproductivas. Algunos ejemplos de esas sustancias químicas son:

- plomo de pinturas a base de plomo,
- sílice cristalizado de ladrillos y cemento y otros productos de albañilería, y
- arsénico y cromo de la madera químicamente tratada (CCA).

El riesgo al contacto con estas sustancias varía, según la frecuencia en que se haga este tipo de trabajo. Para reducir la exposición a esas sustancias químicas: trabaje en un área bien ventilada, y trabaje con equipos de seguridad aprobados, tales como máscaras contra el polvo especialmente diseñadas para filtrar las partículas microscópicas.

- **Evite el contacto prolongado con polvos originados por lijar, aserrar, esmerilar, taladrar y otras actividades constructivas. Vista ropas protectoras y lave las áreas expuestas con agua y jabón.** Permitir que el polvo se introduzca en su boca, ojos, o dejarlo sobre la piel promueve la absorción de químicos dañinos.

⚠️ ADVERTENCIA: La utilización de esta herramienta puede originar polvo o dispersarlo, lo que podría causar daños graves y permanentes al sistema respiratorio, así como otras lesiones. Siempre use protección respiratoria aprobada por NIOSH/OSHA, apropiada para su uso en condiciones de exposición al polvo. Procure que las partículas no se proyecten directamente sobre su rostro o su cuerpo.

⚠️ PRECAUCION: *utilice la protección auditiva apropiada durante el uso. Bajo ciertas condiciones de duración de uso, el ruido producido por este producto puede contribuir a la pérdida auditiva.*

- La etiqueta de su herramienta puede incluir los siguientes símbolos.

 V	volts	 A	amperes
 Hz	hertz	 W.....	watts
 min	minutos	 ~	corriente alterna
 ====	corriente directa	 no	velocidad sin carga
 ☐	construcción clase II	 ⊕.....	terminales de conexión a tierra
		 .../min	revoluciones par minuto

CONSERVE ESTAS INSTRUCCIONES

Motor

Su herramienta DEWALT funciona con un motor DEWALT integrado. Asegúrese que su alimentación de corriente concuerde con la marcada en la placa de identificación (120 volts AC). Disminuciones en le voltaje mayores a 10% ocasionarán pérdida de potencia y sobrecalentamiento. Todas las herramientas DEWALT se prueban en la fábrica; si esta herramienta no funciona, revise su alimentación de corriente.

Colocación del papel de lija (Fig. 3)

Su lijadora está diseñada para utilizar hojas de lija tamaño 1/2. Este tamaño se puede lograr:

- Cortando hojas de lija completas 228 mm x 280 mm en 4 piezas de 114 mm x 140 mm.
- Cortando medias hojas de papel de lija en dos hojas de 114 mm x 140 mm. Hay a su disposición con costo adicional papel precortado a 114 mm x 140 mm.

Para operaciones normales, instale el papel abrasivo en su unidad de la siguiente manera.

- Suavice el papel de lija rígido tirando de éste sobre el borde a 90° de una mesa o algo similar, como se observa en la figura 1. Concéntrese en suavizar las orillas que se sujetarán.
- Libere el sujetador tirando de la palanca hacia arriba y desenganchándola de la lengüeta de la placa base (Figura 2).
- Inserte la orilla de 114 mm del papel de lija por debajo del sujetador frontal, como se ilustra en la figura 3, hasta que haga contacto con las costillas delimitadoras que se muestran en la figura. Cierre el sujetador frontal y engánchelo en la posición cerrada por detrás de la lengüeta de la placa base.
- Estire la lija sobre la base de lijado e insértela en el sujetador opuesto de la misma manera.
- Si está utilizando la característica de extracción de polvo, perfore el papel de lija con el punzón que le proporcionamos, como se indica en la sección relacionada.

Interruptor (Fig. 4)

Para encender la unidad, oprima el lado del interruptor protegido contra polvo que corresponda al símbolo “I”. Para apagar la herramienta, oprima el lado del interruptor que corresponda al símbolo “O”. Observe la figura 4.

Punzón para papel de lija (Fig 5)

Se proporciona con su lijadora un punzón para permitirle perforar el papel de lija normal para hacer posible la recolección de polvo.

Para perforar su lija, instálela en la lijadora como se indicó anteriormente en este manual.. Con la lijadora apagada y desconectada, coloque el punzón en la lija de manera que los bordes del primero queden contra dos lados adyacentes de la base de lijado, como se muestra en la figura 5. Oprima el punzón contra la base de manera que las 8 puntas penetren la lija, como se ilustra en la figura 6. (Oprima el punzón contra la base tanto como sea posible.) Retire el punzón y la lija estará lista. Un método alternativo para perforar la lija es sujetar el punzón contra la superficie de trabajo y presionar la lijadora (con la lija instalada) sobre el punzón. El punzón está provisto de dos orificios para este propósito. Utilice tornillos #8 con cabeza plana.

Bolsa de recolección de polvo (Fig. 8)

BOLSA DE RECOLECCIÓN DE POLVO: NUNCA OPERE ESTA HERRAMIENTA CON LIJA PERFORADA A MENOS QUE LA BOLSA DE RECOLECCIÓN DE POLVO ESTE EN SU SITIO. para utilizar el sistema de recolección de polvo, baje el extremo de plástico de la bolsa recolectora sobre la ceja y empújela hacia abajo tanto como sea posible, como se observa en la figura 8. Para vaciar el contenido de la bolsa recolectora, sencillamente levántela hacia fuera de la lijadora y vacíela en un depósito de basura.

Operación (Fig. 9)

Tome la lijadora como se ilustra en la Figura 9 y enciéndala. Haga movimientos largos y continuos sobre la superficie, permitiendo que la herramienta haga el trabajo. Aplicar presión a la unidad únicamente hace más lento el proceso de lijado y da como resultado una superficie de calidad inferior. Asegúrese de revisar su trabajo a menudo, ya que la lijadora remueve el material rápidamente, especialmente con papel de grano grueso.

Si lijadora está diseñada para lijar al ras por tres lados (cuatro lados sin la bolsa de recolección de polvo) para lijar en esquinas, y su tamaño pequeño y peso ligero la hacen ideal para trabajar por arriba de la cabeza.

La acción orbital de su lijadora le permite lijar al hilo o a cualquier otro ángulo a través de las piezas en la mayoría de los trabajos. En los pasos finales de lijado, como se señala a continuación, se obtiene un mejor terminado si se lija al hilo únicamente.

Para obtener el acabado más liso posible, comience con papel de lija de grano burdo y cambie después a uno medio. Cuando se ha obtenido una superficie tersa, utilice papel de grano fino y finalmente una pieza de papel extra fino hasta que logre un acabado realmente profesional. En muchos casos, este último paso elimina la necesidad de lijar a mano. La velocidad con que la bolsa recolectora se llena variará con el material con que se trabaje y el grado de la lija. Para obtener mejores resultados, vacíe la bolsa con frecuencia y revise que la abertura no esté tapada.

Cuando lije superficies pintadas, puede encontrarse con que la lija se tapa. En estos casos, un removedor de calor funcionará mejor para remover la pintura antes de lijar. SIGA TODAS LAS INSTRUCCIONES DE SEGURIDAD DEL MANUAL DE INSTRUCCIONES DE LA PISTOLA DE CALOR.

Precauciones cuando lije pintura

- NO SE RECOMIENDA el lijado de pinturas con base de plomo debido a la dificultad para controlar el polvo contaminado. El mayor peligro de envenenamiento por plomo es para niños y mujeres embarazadas.
- Ya que es difícil identificar si una pintura contiene plomo o no sin efectuar un análisis clínico, recomendamos que tenga en cuenta las siguientes precauciones cuando lije cualquier tipo de pintura.

SEGURIDAD PERSONAL

- No permita que entren al área de trabajo niños ni mujeres embarazadas cuando lije pintura hasta que haya terminado de asear el lugar.
- Se recomienda el uso de máscaras o respiradores para todas las personas que entren al área de trabajo. El filtro se debe reemplazar diariamente o cuando el usuario tenga dificultad para respirar.

NOTA: Sólo deben utilizarse mascaras adecuadas para trabajo con polvo y vapores de pintura. Las mascaras ordinarias para pintura no ofrecen esta protección. Vea a su distribuidor de herramienta local para conseguir la máscara adecuada.

- NO COMA, BEBA O FUME en la zona de trabajo para evitar ingerir partículas de pintura contaminadas. Los usuarios deberán lavarse y limpiarse ANTES de comer, beber o fumar. No deben dejarse artículos para comer beber o fumar en el área de trabajo donde el polvo se asentaría en ellos.

SEGURIDAD AMBIENTAL

- La pintura debe removerse de tal manera que se minimice la cantidad generada de polvo.
- Se deben sellar las áreas en que se remueve pintura con láminas de plástico de 4 mils. de espesor.

- El lijado debe hacerse en tal forma que se reduzca el desalajo de pintura fuera de la zona de trabajo.

LIMPIEZA Y DESECHO

- Todas las superficies en el área de trabajo deben ser aspiradas y limpiadas a conciencia diariamente el tiempo que dure el proyecto de lijado. Las bolsas filtro de las aspiradoras deben cambiarse frecuentemente.
- Las láminas de plástico deben recogerse y desecharse con cualquier resto de pintura. Deben depositarse en receptáculos sellados y deben desecharse a través de los procedimientos de recolección de basura normales. Durante la limpieza, niños y mujeres embarazadas deben permanecer alejados de la zona de trabajo inmediata.
- Todo tipo de juguetes, mobiliario lavable y utensilios usados por niños deben lavarse a conciencia antes de volver a utilizarse.

Cuidado de la herramienta

Conserve su máquina tan limpia como sea posible con la ayuda de un trapo limpio y sopleteándola con aire comprimido cada 5 horas de uso.

No utilice productos químicos agresivos ni solventes para limpiar la herramienta. Estos productos pueden causar daños severos al plástico.

Evite sobrecargar su lijadora. La sobrecarga ocasionará una reducción considerable en velocidad y eficiencia y la unidad se calentará. En este caso, haga funcionar la lijadora “sin carga” durante un minuto o dos.

Cambio de carbones (Fig. 10, 11)

APAGUE Y DESCONECTE LA LIJADORA

Para cambiar los carbones de la herramienta, saque los tres tornillos que se encuentran en la parte superior, como se observa en la figura 10.

Levante la tapa. Observe los porta carbones, como se muestra en la figura 11 y los cables que van de los carbones al campo del motor.

Tire de los cables del campo del motor y a continuación levante y sostenga fuera del camino uno de los resortes de los carbones. Saque el carbón usado del porta carbones y deseche el montaje de carbón y conductor. Sosteniendo aún el resorte del carbón fuera del camino, inserte el carbón nuevo, libere el resorte contra la parte posterior del carbón y conecte el cable en el campo del motor. Repita el procedimiento con el segundo carbón.

Coloque de nuevo en su sitio la tapa y apriete los tres tornillos que la sujetan en su sitio. (Siempre cambie ambos carbones.)

Accesorios

Dispone usted de los accesorios enlistados para su herramienta con cargo adicional en el centro de servicio autorizado o con su distribuidor locales.

⚠️ PRECAUCIÓN: *Es peligroso emplear cualquier accesorio no recomendado.*

Se incluye una lista completa de los centros de servicio con su herramienta. Si necesita ayuda para localizar cualquier accesorio, por favor comuníquese a: DEWALT

ADAPTADOR DE MANGUERA PARA EXTRACCIÓN DE POLVO (DW4111)

Se desliza sobre la ceja de la parte trasera de la herramienta, como se muestra en la figura 12. Acepta gran variedad de mangueras de aspiradora para extracción de polvo.

PLATINA CIRCULAR DE 15 CM (DW4112)

Incluye base de lijado redonda de 15 cm de diámetro para lijar formas irregulares donde se pueda requerir flexibilidad adicional.

Para instalar la platina circular, quite los cuatro tornillos de la parte inferior de la base de lijado y la platina rectangular. Reemplácela con la platina circular y la base de lijado circular de 15 cm de diámetro que utilizan los mismos cuatro tornillos.

Únicamente acepta discos de lija de 15 cm con respaldo adhesivo.

NOTA: Los accesorios recomendados para esta herramienta están enlistados en este manual. El uso de cualquier otro accesorio puede ser peligroso.

Lubricación

Se han empleado baleros auto lubricantes en la fabricación de su herramienta y no se requiere de lubricación periódica. Sin embargo, se recomienda llevar su herramienta a servicio por lo menos una vez al año para una limpieza completa e inspección.

Reparaciones

Para garantizar la SEGURIDAD y CONFIABILIDAD, las reparaciones, el mantenimiento y los ajustes (incluida la inspección y reemplazo de cepillos) deben ser realizados por un centro de mantenimiento de fábrica de DEWALT, un centro de mantenimiento DEWALT autorizado u otro personal de mantenimiento calificado. Utilice siempre piezas de repuesto idénticas.

PARA REPARACIÓN Y SERVICIO DE SUS HERRAMIENTAS ELÉCTRICAS, FAVOR DE DIRIGIRSE AL CENTRO DE SERVICIO MÁS CERCANO	
CULIACAN, SIN Av. Nicolás Bravo #1063 Sur - Col. Industrial Bravo	(667) 7 12 42 11
GUADALAJARA, JAL Av. La Paz #1779 - Col. Americana Sector Juárez	(33) 3825 6978
MEXICO, D.F. Eje Central Lázaro Cárdenas No. 18 Local D, Col. Obrera	(55) 5588 9377
MERIDA, YUC Calle 63 #459-A - Col. Centro	(999) 928 5038
MONTERREY, N.L. Av. Francisco I. Madero No.831 - Col. Centro	(81) 8375 2313
PUEBLA, PUE 17 Norte #205 - Col. Centro	(222) 246 3714
QUERETARO, QRO Av. Madero 139 Pte. - Col. Centro	(442) 214 1660
SAN LUIS POTOSI, SLP Av. Universidad 1525 - Col. San Luis	(444) 814 2383
TORREON, COAH Blvd. Independencia, 96 Pte. - Col. Centro	(871) 716 5265
VERACRUZ, VER Prolongación Díaz Mirón #4280 - Col. Remes	(229) 921 7016
VILLAHERMOSA, TAB Constitución 516-A - Col. Centro	(993) 312 5111
PARA OTRAS LOCALIDADES LLAME AL: (55) 5326 7100	

Póliza de Garantía

IDENTIFICACIÓN DEL PRODUCTO:

Sello o firma del Distribuidor.

Nombre del producto: _____ Mod./Cat.: _____

Marca: _____ Núm. de serie:_____

(Datos para ser llenados por el distribuidor)

Fecha de compra y/o entrega del producto: _____

Nombre y domicilio del distribuidor donde se adquirió el producto: _____

Este producto está garantizado por un año a partir de la fecha de entrega, contra cualquier defecto en su funcionamiento, así como en materiales y mano de obra empleados para su fabricación. Nuestra garantía incluye la reparación o reposición del producto y/o componentes sin cargo alguno para el cliente, incluyendo mano de obra, así como los gastos de transportación razonablemente erogados derivados del cumplimiento de este certificado.

Para hacer efectiva esta garantía deberá presentar su herramienta y esta póliza sellada por el establecimiento comercial donde se adquirió el producto, de no contar con ésta, bastará la factura de compra.

EXCEPCIONES

Esta garantía no será válida en los siguientes casos:

- Cuando el producto se hubiese utilizado en condiciones distintas a las normales;
- Cuando el producto no hubiese sido operado de acuerdo con el instructivo de uso que se acompaña;
- Cuando el producto hubiese sido alterado o reparado por personas distintas a las enlistadas al final de este certificado.

Anexo encontrará una relación de sucursales de servicio de fábrica, centros de servicio autorizados y franquiciados en la República Mexicana, donde podrá hacer efectiva su garantía y adquirir partes, refacciones y accesorios originales.

Garantía limitada por tres años

DeWALT reparará, sin cargo, cualquier falla que surja de defectos en el material o la fabricación del producto, por hasta tres años a contar de la fecha de compra. Esta garantía no cubre fallas de las piezas causadas por su desgaste normal o abuso a la herramienta. Para mayores detalles sobre la cobertura de la garantía e información acerca de reparaciones realizadas bajo garantía, visítenos en www.dewalt.com o llámenos al 1 800 433-9258 (1-800-4-DeWALT). Esta garantía no aplica a accesorios o a daños causados por reparaciones realizadas o intentadas por terceros. Esta garantía le otorga derechos legales específicos, además de los cuales puede tener otros dependiendo del estado o provincia en que se encuentre.

Además de la garantía, las herramientas DeWALT están cubiertas por:

1 AÑO DE SERVICIO GRATUITO

DeWALT mantendrá la herramienta y reemplazará las piezas gastadas por su uso normal, sin cobro, en cualquier momento durante un año a contar de la fecha de compra.

GARANTÍA DE REEMBOLSO DE SU DINERO POR 90 DÍAS

Si no está completamente satisfecho con el desempeño de su máquina herramienta, láser o clavadora DeWALT, cualquiera sea el motivo, podrá devolverlo hasta 90 días de la fecha de compra con su recibo y obtener el reembolso completo de su dinero – sin necesidad de responder a ninguna pregunta.

AMÉRICA LATINA: Esta garantía no se aplica a los productos que se venden en América Latina. Para los productos que se venden en América Latina, debe consultar la información de la garantía específica del país que viene en el empaque, llamar a la compañía local o visitar el sitio Web a fin de obtener esa información.

REEMPLAZO DE LAS ETIQUETAS DE ADVERTENCIA GRATUITO: Si sus etiquetas de advertencia se tornan ilegibles o se pierden, llame al 1-800-4-DeWALT para que se las reemplacen sin costo.

Especificaciones (DW411, DW412)

Tensión de alimentación	120 V ca/cd
Potencia nominal:	190 W
Frecuencia de operación:	50/60 Hz
Consumo de corriente:	2,0 A

IMPORTADO: DeWALT S.A. DE C.V.
BOSQUES DE CIDROS ACCESO RADIATAS NO. 42
COL. BOSQUES DE LAS LOMAS.
05120 MÉXICO, D.F.
TEL. 326-7100

Para servicio y ventas consulte
"HERRAMIENTAS ELECTRICAS"
en la sección amarilla.

