

If you have questions or comments, contact us.
 Pour toute question ou tout commentaire, nous contacter.
 Si tiene dudas o comentarios, contáctenos.

1-800-4-DEWALT • www.dewalt.com

INSTRUCTIVO DE OPERACIÓN, CENTROS DE SERVICIO Y
 PÓLIZA DE GARANTÍA. **ADVERTENCIA:** LEASE ESTE
 INSTRUCTIVO ANTES DE USAR EL PRODUCTO.

**INSTRUCTION MANUAL
 GUIDE D'UTILISATION
 MANUAL DE INSTRUCCIONES**



DW328

**Variable Speed Portable Band Saw
 Scies à ruban portatives de vitesse variable
 Sierras de banda portátiles de la velocidad variable**

DEWALT Industrial Tool Co., 701 East Joppa Road, Baltimore, MD 21286
 (OCT13) Part No. N225013 DW328 Copyright © 2006, 2013 DEWALT

The following are trademarks for one or more DEWALT power tools: the yellow and black color scheme, the "D" shaped air intake grill, the array of pyramids on the handgrip, the kit box configuration, and the array of lozenge-shaped humps on the surface of the tool.

Definitions: Safety Guidelines

The definitions below describe the level of severity for each signal word. Please read the manual and pay attention to these symbols.

⚠ DANGER: Indicates an imminently hazardous situation which, if not avoided, will result in **death or serious injury**.

⚠ WARNING: Indicates a potentially hazardous situation which, if not avoided, could result in **death or serious injury**.

⚠ CAUTION: Indicates a potentially hazardous situation which, if not avoided, may result in **minor or moderate injury**.

NOTICE: Indicates a practice **not related to personal injury** which, if not avoided, may result in **property damage**.

IF YOU HAVE ANY QUESTIONS OR COMMENTS ABOUT THIS OR ANY DEWALT TOOL, CALL US TOLL FREE AT: **1-800-4-DEWALT (1-800-433-9258)**.

⚠ WARNING: To reduce the risk of injury, read the instruction manual.

General Power Tool Safety Warnings

⚠ WARNING! Read all safety warnings and all instructions. Failure to follow the warnings and instructions may result in electric shock, fire and/or serious injury.

SAVE ALL WARNINGS AND INSTRUCTIONS FOR FUTURE REFERENCE

The term "power tool" in the warnings refers to your mains-operated (corded) power tool or battery-operated (cordless) power tool.

1) WORK AREA SAFETY

- a) **Keep work area clean and well lit.** Cluttered or dark areas invite accidents.
- b) **Do not operate power tools in explosive atmospheres, such as in the presence of flammable liquids, gases or dust.** Power tools create sparks which may ignite the dust or fumes.
- c) **Keep children and bystanders away while operating a power tool.** Distractions can cause you to lose control.

2) ELECTRICAL SAFETY

- a) **Power tool plugs must match the outlet. Never modify the plug in any way. Do not use any adapter plugs with earthed (grounded) power tools.** Unmodified plugs and matching outlets will reduce risk of electric shock.
- b) **Avoid body contact with earthed or grounded surfaces such as pipes, radiators, ranges and refrigerators.** There is an increased risk of electric shock if your body is earthed or grounded.
- c) **Do not expose power tools to rain or wet conditions.** Water entering a power tool will increase the risk of electric shock.
- d) **Do not abuse the cord. Never use the cord for carrying, pulling or unplugging the power tool. Keep cord away from heat, oil, sharp edges or moving parts.** Damaged or entangled cords increase the risk of electric shock.
- e) **When operating a power tool outdoors, use an extension cord suitable for outdoor use.** Use of a cord suitable for outdoor use reduces the risk of electric shock.
- f) **If operating a power tool in a damp location is unavoidable, use a ground fault circuit interrupter (GFCI) protected supply.** Use of a GFCI reduces the risk of electric shock.

3) PERSONAL SAFETY

- a) **Stay alert, watch what you are doing and use common sense when operating a power tool. Do not use a power tool while you are tired or under the influence of drugs, alcohol or medication.** A moment of inattention while operating power tools may result in serious personal injury.
- b) **Use personal protective equipment. Always wear eye protection.** Protective equipment such as dust mask, non-skid safety shoes, hard hat, or hearing protection used for appropriate conditions will reduce personal injuries.
- c) **Prevent unintentional starting. Ensure the switch is in the off position before connecting to power source and/or battery pack, picking up or carrying the tool.** Carrying power tools with your finger on the switch or energizing power tools that have the switch on invites accidents.
- d) **Remove any adjusting key or wrench before turning the power tool on.** A wrench or a key left attached to a rotating part of the power tool may result in personal injury.
- e) **Do not overreach. Keep proper footing and balance at all times.** This enables better control of the power tool in unexpected situations.
- f) **Dress properly. Do not wear loose clothing or jewelry. Keep your hair, clothing and gloves away from moving parts.** Loose clothes, jewelry or long hair can be caught in moving parts.
- g) **If devices are provided for the connection of dust extraction and collection facilities, ensure these are connected and properly used.** Use of dust collection can reduce dust-related hazards.

4) POWER TOOL USE AND CARE

- a) **Do not force the power tool. Use the correct power tool for your application.** The correct power tool will do the job better and safer at the rate for which it was designed.

- b) **Do not use the power tool if the switch does not turn it on and off.** Any power tool that cannot be controlled with the switch is dangerous and must be repaired.
- c) **Disconnect the plug from the power source and/or the battery pack from the power tool before making any adjustments, changing accessories, or storing power tools.** Such preventive safety measures reduce the risk of starting the power tool accidentally.
- d) **Store idle power tools out of the reach of children and do not allow persons unfamiliar with the power tool or these instructions to operate the power tool.** Power tools are dangerous in the hands of untrained users.
- e) **Maintain power tools. Check for misalignment or binding of moving parts, breakage of parts and any other condition that may affect the power tool's operation. If damaged, have the power tool repaired before use.** Many accidents are caused by poorly maintained power tools.
- f) **Keep cutting tools sharp and clean.** Properly maintained cutting tools with sharp cutting edges are less likely to bind and are easier to control.
- g) **Use the power tool, accessories and tool bits, etc. in accordance with these instructions, taking into account the working conditions and the work to be performed.** Use of the power tool for operations different from those intended could result in a hazardous situation.

5) SERVICE

- a) **Have your power tool serviced by a qualified repair person using only identical replacement parts.** This will ensure that the safety of the power tool is maintained.

Additional Safety Rules – Portable Band Saws

- **Hold power tool by insulated gripping surfaces, when performing an operation where the cutting accessory may contact hidden wiring or its own cord.** Cutting accessory contacting a "live" wire may make exposed metal parts of the power tool "live" and could give the operator an electric shock.
- **Keep hands away from cutting area and blade.** Keep one hand on the main handle and the other hand on the front handle to prevent loss of control which could result in personal injury.
- Always make sure the portable band saw is clean before using.
- Always cease operation at once if you notice any abnormality whatsoever.
- Always be sure all components are mounted properly and securely before using tool.
- Always handle the band saw blade with care when mounting or removing it.
- Always keep your hands out of the line of the band saw blade.
- Always wait until the motor has reached full speed before starting a cut.
- Always keep handles dry, clean, and free of oil and grease. Hold the tool firmly when in use.
- Always be alert at all times, especially during repetitive, monotonous operations. Always be sure of position of your hands relative to the blade.
- Never remove material guide/work stop.
- Stay clear of end pieces that may fall after cutting off. They may be hot, sharp and/or heavy. Serious personal injury may result.

⚠ WARNING: DO NOT modify and/or use this tool for any application other than for which it was designed.

⚠ WARNING: Shock Hazard. Exercise extreme caution when cutting blind into conduit and pipe. Be sure the object being cut does not contain electrical wires, gases, or water, etc., which could create hazardous conditions causing personal injury and property damage.

- **Air vents often cover moving parts and should be avoided.** Loose clothes, jewelry or long hair can be caught in moving parts.
- **An extension cord must have adequate wire size (AWG or American Wire Gauge) for safety.** The smaller the gauge number of the wire, the greater the capacity of the cable, that is 16 gauge has more capacity than 18 gauge. An undersized cord will cause a drop in line voltage resulting in loss of power and overheating. When using more than one extension to make up the total length, be sure each individual extension contains at least the minimum wire size. The following table shows the correct size to use depending on cord length and nameplate ampere rating. If in doubt, use the next heavier gauge. The smaller the gauge number, the heavier the cord.

Minimum Gauge for Cord Sets						
Ampere Rating		Volts	Total Length of Cord in Feet (meters)			
		120 V	25 (7.6)	50 (15.2)	100 (30.5)	150 (45.7)
		240 V	50 (15.2)	100 (30.5)	200 (61.0)	300 (91.4)
More Than	Not More Than	AWG				
0	6		18	16	16	14
6	10		18	16	14	12
10	12		16	16	14	12
12	16		14	12	Not Recommended	

⚠ WARNING: ALWAYS use safety glasses. Everyday eyeglasses are NOT safety glasses. Also use face or dust mask if cutting operation is dusty. ALWAYS WEAR CERTIFIED SAFETY EQUIPMENT:

- ANSI Z87.1 eye protection (CAN/CSA Z94.3),
- ANSI S12.6 (S3.19) hearing protection,
- NIOSH/OSHA/MSHA respiratory protection.

⚠ WARNING: Some dust created by power sanding, sawing, grinding, drilling, and other construction activities contains chemicals known to the State of California to cause cancer, birth defects or other reproductive harm. Some examples of these chemicals are:

- lead from lead-based paints,
- crystalline silica from bricks and cement and other masonry products, and
- arsenic and chromium from chemically-treated lumber.

Your risk from these exposures varies, depending on how often you do this type of work. To reduce your exposure to these chemicals: work in a well ventilated area, and work with approved safety equipment, such as those dust masks that are specially designed to filter out microscopic particles.

- **Avoid prolonged contact with dust from power sanding, sawing, grinding, drilling, and other construction activities. Wear protective clothing and wash exposed areas with soap and water.** Allowing dust to get into your mouth, eyes, or lay on the skin may promote absorption of harmful chemicals.

⚠ WARNING: Use of this tool can generate and/or disperse dust, which may cause serious and permanent respiratory or other injury. Always use NIOSH/OSHA approved respiratory protection appropriate for the dust exposure. Direct particles away from face and body.

- The label on your tool may include the following symbols. The symbols and their definitions are as follows:

V.....volts	A.....amperes
Hz.....hertz	W.....watts
minminutes	~ or AC.....alternating current
== or DC.....direct current	⎓ or AC/DC.....alternating or direct current
Ⓢ.....Class I Construction (grounded)	n _ono load speed
Ⓜ.....Class II Construction (double insulated)	n.....rated speed
.../minper minute	⊕earthing terminal
IPM.....impacts per minute	⚠.....safety alert symbol
SPM.....strokes per minute	BPM.....beats per minute
	RPM.....revolutions per minute
	sfpm.....surface feet per minute

SAVE THESE INSTRUCTIONS FOR FUTURE USE

Motor

Be sure your power supply agrees with the nameplate marking. Voltage decrease of more than 10% will cause loss of power and overheating. DEWALT tools are factory tested; if this tool does not operate, check power supply.

This band saw is designed to cut various types of material up to 4-3/4" (120 mm) diameter or 4-1/2" (114 mm) x 4-3/4" (120 mm) rectangular shape at 90°.

COMPONENTS (Fig. 1, 2)

⚠ WARNING: Never modify the power tool or any part of it. Damage or personal injury could result.

- | | |
|----------------------------------|-----------------|
| A. Auxiliary handle | I. Speed wheel |
| B. Lock button | J. Blade |
| C. Trigger switch | K. Rubber tires |
| D. Main handle | L. Pulley |
| E. Material guide/Work stop | M. Blade guard |
| F. Guide rollers | |
| G. Blade tracking adjustment nut | |
| H. Blade tension lever | |

INTENDED USE

This heavy-duty band saw is designed for professional metal cutting applications.

DO NOT use under wet conditions or in presence of flammable liquids or gases.

This band saw is a professional power tool. **DO NOT** let children come into contact with the tool. Supervision is required when inexperienced operators use this tool.

FIG. 1

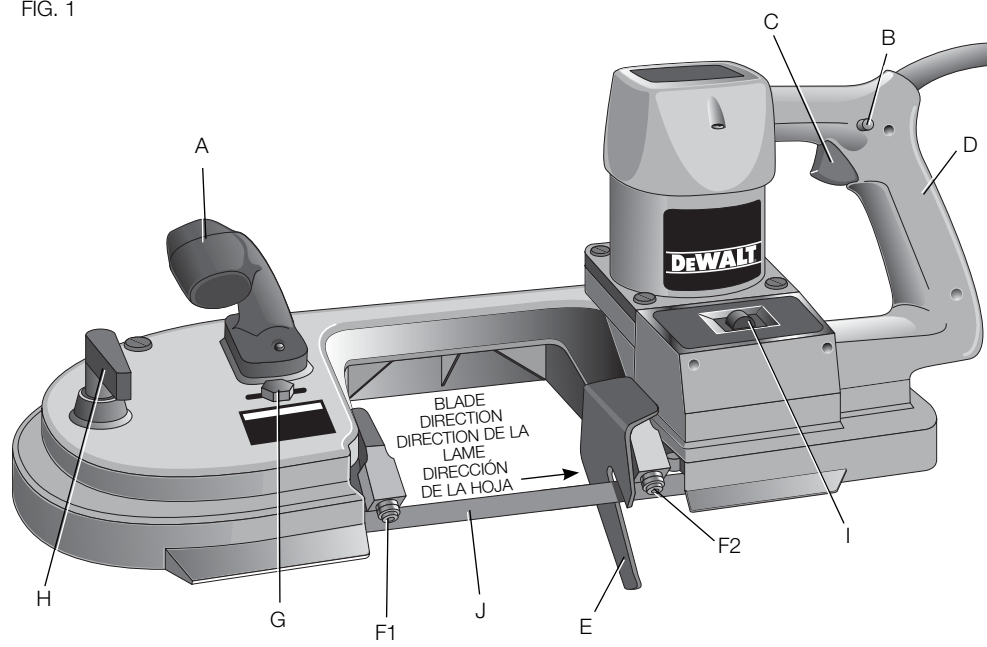


FIG. 4

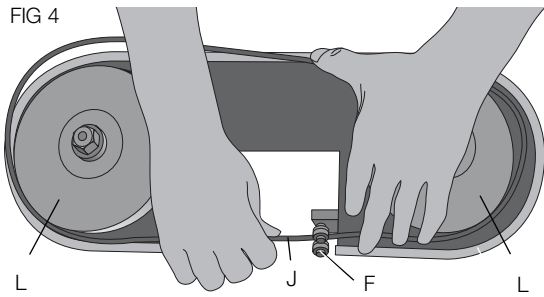
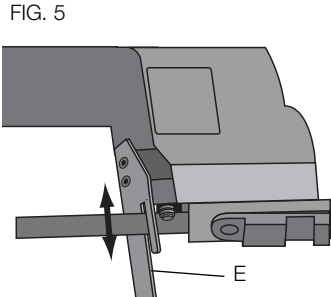


FIG. 5



ASSEMBLY AND ADJUSTMENTS

⚠WARNING: To reduce the risk of injury, turn unit off and disconnect it from power source before installing and removing accessories, before adjusting or when making repairs. An accidental start-up can cause injury.

Blades

This portable band saw is setup for use with .020" (0.5 mm) thick, 1/2" (12.5 mm) wide and 44-7/8" (1140 mm) long blades. To use .025 (.64 mm) thick blades, please contact an authorized DEWALT service center.

⚠WARNING: The use of any other blade or accessory might be hazardous. DO NOT use any other type of accessory with your band saw. Blades used on stationary band saws are of different thickness. Do not attempt to use them on your portable unit.

Blade Selection

In general, first consider the size and shape of the work, and the type of material to be cut. Remember, for the most efficient cutting, the coarsest tooth blade possible should be used in a given application, because the coarser the tooth, the faster the cut. In selecting the appropriate number of teeth per inch of the band saw blade, at least two teeth should contact the work surface when the blade is rested against the workpiece. As a rule of thumb, soft materials usually require coarse tooth blades, while hard materials require fine tooth blades. Where a smoother finish is important, select one of the finer tooth blades.

Select the appropriate band saw blade according to the material type, dimensions, and number of teeth. See **Blade Description** chart.

⚠CAUTION: The following table is intended as a general guide only. Determine the type of material and dimension of the workpiece and select the most appropriate band saw blade. Incorrect blade application may result in loss of control causing personal injury.

⚠CAUTION: Never use the band saw to cut resin materials which are subject to melting. Melting of resin material caused by high heat generated during cutting may cause the band saw blade to become bound to the material, possibly resulting in overload and burn-out of the motor.

BLADE DESCRIPTION						
Type of band saw blade	Bi-Metal					
Number of teeth per inch	24	18	14	10	14/18	10/14
Workpiece thickness						
1/8" (3.2 mm) and under	•	•				
1/8" (3.2 mm) – 1/4" (6.4 mm)			•		•	
1/4" (6.4 mm) – 13/32" (10.3 mm)				•		•
13/32" (10.3 mm) and over				•		

Blade Speed (Fig. 1)

Your DW328 portable band saw is equipped with variable speed for greater versatility. Turn the speed wheel (I) to select the desired speed. Speed 1 is the slowest speed; Speed 6 is the fastest. Use speed settings 1–6 when connected to an AC power supply. When connected to a DC power supply the setting **MUST** be Speed 6.

NOTICE: To avoid damage to the variable speed switch, always use Speed 6 (fastest) when using a DC power source. Always turn the saw off, set the speed wheel (I) to Speed 6, then turn the saw on.

When cutting copper, brass, bronze, aluminum, cast iron, angle iron, and mild steel, use a higher speed.

When cutting plastic pipe, tougher steels, chrome steel, tungsten steel, stainless steel, and other problem materials, use low speed.

NOTE: When cutting plastic pipe, higher speeds may melt plastic.

Removing and Installing Blades

⚠WARNING: To reduce the risk of injury, turn unit off and disconnect it from power source before installing and removing accessories, before adjusting or when making repairs. An accidental start-up can cause injury.

⚠CAUTION: Cut Hazard. Blade tension lever is under spring pressure. Maintain control of lever when releasing blade tension or blade may be released causing personal injury.

TO REMOVE BLADE (FIG. 1, 2)

1. Rotate the blade tension lever (H) clockwise until it stops to release tension in blade.
2. Turn the saw over and place it on a workbench or table with the cord to the left.
3. Begin removing the blade at the blade guard (M) and continue around the pulleys (L). When removing the blade, tension may be released and the blade may spring free. SAW BLADES ARE SHARP. USE CARE IN HANDLING THEM.
4. Inspect the guide rollers (F1, F2) and remove any large chips which may be lodged in them. Lodged chips can prevent rotation of the guide rollers and cause flat spots on the guide rollers.
5. Rubber tires (K) are mounted on the pulleys (L). The rubber tires should be inspected for looseness or damage when changing the blade. Wipe any chips from the rubber tires on the pulleys. This will extend tire life and keep the blade from slipping. If any looseness or damage occurs, the tool should be brought to an authorized DEWALT service center for repair or replacement as soon as possible. Continued use of the tool with loose or damaged rubber tires will cause unstable travel of the band saw blade.

TO INSTALL BLADE (FIG. 1, 3, 4)

1. Position the blade so that the teeth are on the bottom and angled toward the material guide/work stop (E), as shown in Figures 1 and 3.
2. Slip the blade into the guide rollers (F), as shown in Figure 4.
3. Holding the blade in the guide rollers, place it around both pulleys (L) and through the material guide/work stop (E), as shown in Figure 5.
4. Make sure that the blade is fully inserted into the guide rollers (F) and positioned squarely against the rubber tires (K).
5. Gently turn the saw over so that the pulleys rest on your work bench or table and rotate the blade tension lever (H) counterclockwise until it stops. Make sure the teeth face away from the bandsaw (Fig. 1, 3).
6. Turn the saw on and off a few times to ensure that the blade is seated properly.

Blade Tracking

Your band saw is equipped with an adjustable blade tracking mechanism which assures proper blade tracking at all times. The back edge of a properly aligned blade will run lightly against one or both of the back up rollers in the blade guides. (The pressure between the edge of the blade and the roller will be very slight and will not damage either the blade or the roller.)

FIG. 2

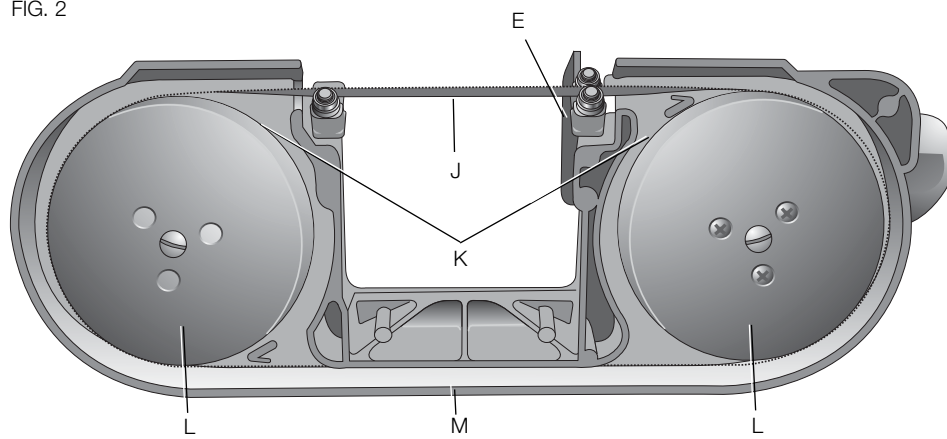


FIG. 3

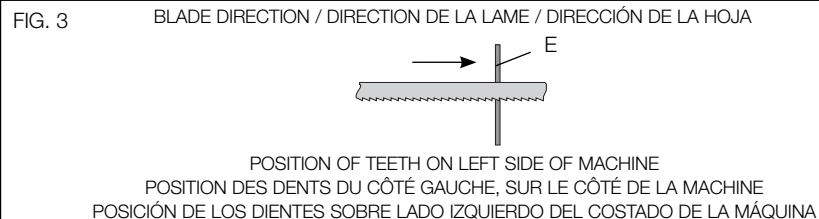


FIG. 6

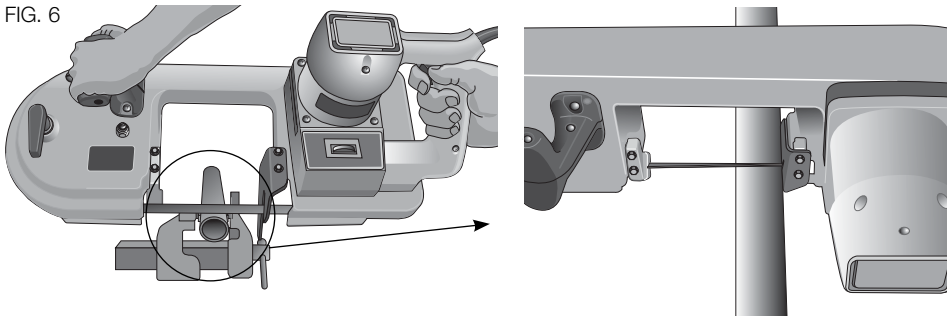


FIG. 7

RECOMMENDED CUTTING POSITIONS / POSITIONS DE COUPE RECOMMANDÉES / POSICIONES DE CORTE RECOMENDADAS

YES / OUI / SÍ	NO / NON / NO	YES / OUI / SÍ	NO / NON / NO

Item	Model	DW328
Motor	Type	Protected type, series commutator motor
	Power source	single-phase, AC 60Hz
	Voltage	120 volts
	Full-load current	6 amp
Band Saw	Dimensions	1/2" x 44-7/8" x .020" (12.5 mm x 1140 mm x .5 mm)
	Blade	Peripheral speed 100 - 265 ft/min (30 - 80 m/min)
Max. Cutting Dimensions	Pipe outer dimensions	4-3/4" (120 mm)
	Stock	4-1/2" x 4-3/4" (114 mm x 120 mm)
Net Weight		14 lbs. (6.4 kg)
Cord		3 conductor type captive cable 8.0 ft. (2.4 m)

Article	Modèle	DW328
Moteur	Type	Type protégé, série moteur à collecteur
	Circuit d'alimentation électrique	monophasé, c.a., 60Hz
	Tension	120 volts
	Courant de pleine charge	6 A
Lame de scie à ruban	Dimensions	12,5 mm x 1 140 mm x 0,5 mm (1/2 po x 44-7/8 po x .020 po)
	Vitesse périphérique	30 à 80 m/min (100 - 265 pi/min)
Dimensions maximales de la coupe	Dimensions externes du tuyau	120 mm (4-3/4 po)
	Matériau à couper	114 mm x 120 mm (4-1/2 po x 4-3/4 po)
Poids net		6,4 kg (14 lb)
Cordon		Fiche à 3 broches et à 3 conducteurs de 2,4 m (8,0 pi)

Artículo	Modelo	DW328
Motor	Tipo	Motor conmutador en serie, tipo protegido
	Fuente de alimentación	CA 60 Hz, monofásica
	Voltaje	120 voltios
	Corriente a plena carga	6 amperios
Hoja de la sierra de banda	Dimensiones	12,5 mm x 1 140 mm x 0,5 mm (1/2 pulg. x 44-7/8 pulg. x .020 pulg.)
	Velocidad periférica	30 - 80 m/min (100 - 265 pies/min)
Dimensiones máximas de corte	Dimensiones exteriores de tubería	120 mm (4-3/4 pulg.)
	Material a cortar	114 mm x 120 mm (4-1/2 x 4-3/4 pulg.)
Peso neto		6,4 kg (14 lb)
Cable		Cable cautivo de 3 conductores, de 2,4 m (8,0 pies) de largo

TO ADJUST THE BLADE TRACKING (FIG. 1)

1. Use a 9/16" (20 mm) wrench to loosen the blade tracking adjustment nut (G), shown in Figure 1 by turning it one or two turns counterclockwise.
2. Use a screwdriver to turn the tracking screw 1/4 turn. Turning the screw clockwise will move the blade up toward the blade guide rollers. Turning the screw counterclockwise will move the blade down away from the rollers.
3. Adjust so that the back edge of the blade lightly touches the rollers then securely tighten the blade tracking adjustment nut (G). (It will be necessary to plug the saw in and run it to observe the tracking.)
4. Observe blade tracking between runs and repeat Steps 1–4 as necessary to achieve proper blade tracking.

OPERATION

⚠ WARNING: To reduce the risk of injury, turn unit off and disconnect it from power source before installing and removing accessories, before adjusting or when making repairs. An accidental start-up can cause injury.

⚠ WARNING: Thoroughly remove any oil or grease from the workpiece before securing in a vise or other clamping device. If the workpiece is not secure, it may come loose during the cutting and/or cause breakage, which may result in serious personal injury.

⚠ WARNING: Never connect the tool to a power source unless the voltage of the source is the same as the voltage specified on the nameplate of the tool. An overspeed blade and overheating and may occur causing personal injury.

⚠ WARNING: Laceration Hazard. If the power cord is connected to the power source with the trigger switch turned ON the power tool will start suddenly and could cause a serious accident.

Trigger Switch (Fig. 1)

To start the tool, squeeze the trigger switch (C). To turn the tool off, release the switch.

A lock button (B) is provided to keep the saw running without holding the trigger switch "ON." To lock the switch trigger "ON," squeeze the trigger as far as it will go, push in the lock button and release the trigger. To disengage the lock button, squeeze and release the trigger switch.

Cutting (Fig. 1, 6, 7)

⚠ WARNING: Refer to Figure 7 for recommended cutting positions for various materials. Loss of control causing serious injury may occur.

NOTE: Select and use a band saw blade that is most appropriate for the material being cut. For more information, refer to **Blade Selection**.

1. Mount the material to be cut solidly in a vise or other clamping device. Never attempt to use this tool by resting it on a work surface and bringing the material to the tool. Always securely clamp the workpiece and bring the tool to the workpiece, securely holding the tool with two hands as shown in Figure 6.
2. Bring the material guide/work stop (E) into contact with the workpiece. Turn the saw ON.
3. When saw reaches desired rotation speed, slowly and gently tilt the main body of the tool to bring the band saw blade into contact with the workpiece. Do not apply additional pressure in excess of the weight of the main body of the tool. Carefully avoid bringing the band saw blade suddenly and heavily into contact with the upper surface of the workpiece. This will cause serious damage to the band saw blade. To obtain maximum service life of the band saw blade, ensure there is no sudden impact at the beginning of the cutting operation.

⚠ CAUTION: During cutting, if the band saw becomes locked or jammed in the workpiece material, release the switch immediately to avoid damage to the band saw blade and motor.

4. The tool's own weight provides the most efficient downward cutting pressure. Added operator pressure slows the blade and reduces blade life.
5. End pieces, which would be heavy enough to cause injury when they drop, after cut-off, should be supported. Safety shoes are strongly recommended. End pieces may be hot.
6. Hold the saw firmly in both hands so that the saw does not fall against clamped or supported material when the cut is completed. **DO NOT MAKE ANY SPEED CHANGES UNLESS TOOL HAS BEEN TURNED OFF.**

Tips for Better Cutting

The following recommendations should be used as a guide. Results may vary with the operator and the particular material being cut.

- Never twist the band saw blade during cutting operation.
- Never use liquid coolants with portable band saws. Use of liquid coolants will cause build-up on tires and reduce performance.
- If excessive vibration occurs during the cut, turn the bandsaw off and adjust the speed slightly. Ensure that the material being cut is securely clamped down. If vibration continues, change the band saw blade.

MAINTENANCE

⚠ WARNING: To reduce the risk of injury, turn unit off and disconnect it from power source before installing and removing accessories, before adjusting or when making repairs. An accidental start-up can cause injury.

Cleaning

⚠ WARNING: Blow dirt and dust out of all air vents with clean, dry air at least once a week. To minimize the risk of eye injury, always wear ANSI Z87.1 approved eye protection when performing this.

⚠ WARNING: Never use solvents or other harsh chemicals for cleaning the non-metallic parts of the tool. These chemicals may weaken the plastic materials used in these parts. Use a cloth dampened only with water and mild soap. Never let any liquid get inside the tool; never immerse any part of the tool into a liquid.

Accessories

⚠ WARNING: Since accessories, other than those offered by DEWALT, have not been tested with this product, use of such accessories with this tool could be hazardous. To reduce the risk of injury, only DEWALT recommended accessories should be used with this product.

Recommended accessories for use with your tool are available at extra cost from your local dealer or authorized service center. If you need assistance in locating any accessory, please contact DEWALT Industrial Tool Co., 701 East Joppa Road, Baltimore, MD 21286, call 1-800-4-DEWALT (1-800-433-9258) or visit our website: www.dewalt.com.

Repairs

To assure product SAFETY and RELIABILITY, repairs, maintenance and adjustment (including brush inspection and replacement) should be performed by a DEWALT factory service center, a DEWALT authorized service center or other qualified service personnel. Always use identical replacement parts.

Register Online

Thank you for your purchase. Register your product now for:

- **WARRANTY SERVICE:** Registering your product will help you obtain more efficient warranty service in case there is a problem with your product.
- **CONFIRMATION OF OWNERSHIP:** In case of an insurance loss, such as fire, flood or theft, your registration of ownership will serve as your proof of purchase.
- **FOR YOUR SAFETY:** Registering your product will allow us to contact you in the unlikely event a safety notification is required under the Federal Consumer Safety Act.

Register online at www.dewalt.com/register.

Three Year Limited Warranty

DEWALT will repair, without charge, any defects due to faulty materials or workmanship for three years from the date of purchase. This warranty does not cover part failure due to normal wear or tool abuse. For further detail of warranty coverage and warranty repair information, visit www.dewalt.com or call 1-800-4-DEWALT (1-800-433-9258). This warranty does not apply to accessories or damage caused where repairs have been made or attempted by others. This warranty gives you specific legal rights and you may have other rights which vary in certain states or provinces.

In addition to the warranty, DEWALT tools are covered by our:

1 YEAR FREE SERVICE

DEWALT will maintain the tool and replace worn parts caused by normal use, for free, any time during the first year after purchase.

90 DAY MONEY BACK GUARANTEE

If you are not completely satisfied with the performance of your DEWALT Power Tool, Laser, or Nailer for any reason, you can return it within 90 days from the date of purchase with a receipt for a full refund – no questions asked.

LATIN AMERICA: This warranty does not apply to products sold in Latin America. For products sold in Latin America, see country specific warranty information contained in the packaging, call the local company or see website for warranty information.

FREE WARNING LABEL REPLACEMENT: If your warning labels become illegible or are missing, call 1-800-4-DEWALT (1-800-433-9258) for a free replacement.



Définitions : lignes directrices en matière de sécurité

Les définitions ci-dessous décrivent le niveau de danger pour chaque mot-indicateur employé. Lire le mode d'emploi et porter une attention particulière à ces symboles.

⚠ DANGER : indique une situation dangereuse imminente qui, si elle n'est pas évitée, entraînera la **mort ou des blessures graves**.

⚠ AVERTISSEMENT : indique une situation potentiellement dangereuse qui, si elle n'est pas évitée, **pourrait** entraîner la **mort ou des blessures graves**.

⚠ ATTENTION : indique une situation potentiellement dangereuse qui, si elle n'est pas évitée, **pourrait** entraîner des **blessures légères ou modérées**.

AVIS : indique une pratique ne posant **aucun risque de dommages corporels** mais qui par contre, si rien n'est fait pour l'éviter, **pourrait** poser des **risques de dommages matériels**.

POUR TOUTE QUESTION OU REMARQUE AU SUJET DE CET OUTIL OU DE TOUT AUTRE OUTIL DEWALT, COMPOSEZ LE NUMÉRO SANS FRAIS : **1-800-4-DEWALT (1-800-433-9258)**.



AVERTISSEMENT : afin de réduire le risque de blessures, lire le mode d'emploi de l'outil.

Avertissements de sécurité généraux pour les outils électriques



AVERTISSEMENT ! Lire tous les avertissements de sécurité et toutes les directives. Le non-respect des avertissements et des directives pourrait se solder par un choc électrique, un incendie et/ou une blessure grave.

CONSERVER TOUTS LES AVERTISSEMENTS ET TOUTES LES DIRECTIVES POUR UN USAGE ULTÉRIEUR

Le terme « outil électrique » cité dans les avertissements se rapporte à votre outil électrique à alimentation sur secteur (avec fil) ou par piles (sans fil).

1) SÉCURITÉ DU LIEU DE TRAVAIL

- a) **Tenir l'aire de travail propre et bien éclairée.** Les lieux encombrés ou sombres sont propices aux accidents.
- b) **Ne pas faire fonctionner d'outils électriques dans un milieu déflagrant, tel qu'en présence de liquides, de gaz ou de poussières inflammables.** Les outils électriques produisent des étincelles qui pourraient enflammer la poussière ou les vapeurs.
- c) **Éloigner les enfants et les personnes à proximité pendant l'utilisation d'un outil électrique.** Une distraction pourrait en faire perdre la maîtrise à l'utilisateur.

2) SÉCURITÉ EN MATIÈRE D'ÉLECTRICITÉ

- a) **Les fiches des outils électriques doivent correspondre à la prise. Ne jamais modifier la fiche d'aucune façon. Ne jamais utiliser de fiche d'adaptation avec un outil électrique mis à la terre.** Le risque de choc électrique sera réduit par l'utilisation de fiches non modifiées correspondant à la prise.
- b) **Éviter tout contact physique avec des surfaces mises à la terre comme des tuyaux, des radiateurs, des cuisinières et des réfrigérateurs.** Le risque de choc électrique est plus élevé si votre corps est mis à la terre.
- c) **Ne pas exposer les outils électriques à la pluie ou à l'humidité.** La pénétration de l'eau dans un outil électrique augmente le risque de choc électrique.
- d) **Ne pas utiliser le cordon de façon abusive. Ne jamais utiliser le cordon pour transporter, tirer ou débrancher un outil électrique. Tenir le cordon éloigné de la chaleur, de l'huile, des bords tranchants et des pièces mobiles.** Les cordons endommagés ou enchevêtrés augmentent les risques de choc électrique.
- e) **Pour l'utilisation d'un outil électrique à l'extérieur, se servir d'une rallonge convenant à cette application.** L'utilisation d'une rallonge conçue pour l'extérieur réduira les risques de choc électrique.
- f) **S'il est impossible d'éviter l'utilisation d'un outil électrique dans un endroit humide, brancher l'outil dans une prise ou sur un circuit d'alimentation dotés d'un disjoncteur de fuite à la terre (GFCI).** L'utilisation de ce type de disjoncteur réduit les risques de choc électrique.

3) SÉCURITÉ PERSONNELLE

- a) **Être vigilant, surveiller le travail effectué et faire preuve de jugement lorsqu'un outil électrique est utilisé. Ne pas utiliser d'outil électrique en cas de fatigue ou sous l'influence de drogues, d'alcool ou de médicaments.** Un simple moment d'inattention en utilisant un outil électrique peut entraîner des blessures corporelles graves.
- b) **Utiliser des équipements de protection individuelle. Toujours porter une protection oculaire.** L'utilisation d'équipements de protection comme un masque antipoussière, des chaussures antidérapantes, un casque de sécurité ou des protecteurs auditifs lorsque la situation le requiert réduira les risques de blessures corporelles.
- c) **Empêcher les démarrages intempestifs. S'assurer que l'interrupteur se trouve à la position d'arrêt avant de relier l'outil à une source d'alimentation et/ou d'insérer un bloc-piles, de ramasser ou de transporter l'outil.** Transporter un outil électrique alors que le doigt repose sur l'interrupteur ou brancher un outil électrique dont l'interrupteur est à la position de marche risque de provoquer un accident.
- d) **Retirer toute clé de réglage ou clé avant de démarrer l'outil.** Une clé ou une clé de réglage attachée à une partie pivotante de l'outil électrique peut provoquer des blessures corporelles.
- e) **Ne pas trop tendre les bras. Conserver son équilibre en tout temps.** Cela permet de mieux maîtriser l'outil électrique dans les situations imprévues.
- f) **S'habiller de manière appropriée. Ne pas porter de vêtements amples ni de bijoux. Garder les cheveux, les vêtements et les gants à l'écart des pièces mobiles.** Les vêtements amples, les bijoux ou les cheveux longs risquent de rester coincés dans les pièces mobiles.
- g) **Si des composants sont fournis pour le raccordement de dispositifs de dépoussiérage et de ramassage, s'assurer que ceux-ci sont bien raccordés et utilisés.** L'utilisation d'un dispositif de dépoussiérage peut réduire les dangers engendrés par les poussières.

4) UTILISATION ET ENTRETIEN D'UN OUTIL ÉLECTRIQUE

- a) **Ne pas forcer un outil électrique. Utiliser l'outil électrique approprié à l'application.** L'outil électrique approprié effectuera un meilleur travail, de façon plus sûre et à la vitesse pour laquelle il a été conçu.
- b) **Ne pas utiliser un outil électrique dont l'interrupteur est défectueux.** Tout outil électrique dont l'interrupteur est défectueux est dangereux et doit être réparé.
- c) **Débrancher la fiche de la source d'alimentation et/ou du bloc-piles de l'outil électrique avant de faire tout réglage ou changement d'accessoire ou avant de ranger l'outil.** Ces mesures préventives réduisent les risques de démarrage accidentel de l'outil électrique.
- d) **Ranger les outils électriques hors de la portée des enfants et ne permettre à aucune personne n'étant pas familière avec un outil électrique ou son mode d'emploi d'utiliser cet outil.** Les outils électriques deviennent dangereux entre les mains d'utilisateurs inexpérimentés.
- e) **Entretien des outils électriques. Vérifier si les pièces mobiles sont mal alignées ou coincées, si des pièces sont brisées ou présentent toute autre condition susceptible de nuire au bon fonctionnement de l'outil électrique. En cas de dommage, faire réparer l'outil électrique avant toute nouvelle utilisation.** Beaucoup d'accidents sont causés par des outils électriques mal entretenus.
- f) **S'assurer que les outils de coupe sont aiguisés et propres.** Les outils de coupe bien entretenus et affûtés sont moins susceptibles de se coincer et sont plus faciles à maîtriser.
- g) **Utiliser l'outil électrique, les accessoires, les forets, etc. conformément aux présentes directives en tenant compte des conditions de travail et du travail à effectuer.** L'utilisation d'un outil électrique pour toute opération autre que celle pour laquelle il a été conçu est dangereuse.

5) RÉPARATION

- a) **Faire réparer l'outil électrique par un réparateur professionnel en n'utilisant que des pièces de rechange identiques.** Cela permettra de maintenir une utilisation sécuritaire de l'outil électrique.

Règles de sécurité additionnelles – Scies à ruban portables

- **Tenir l'outil par les surfaces isolées prévues à cet effet pendant toute utilisation où l'organe de coupe pourrait entrer en contact avec des fils électriques cachés ou son propre cordon.** Tout contact de l'organe de coupe avec un fil sous tension mettra les parties métalliques exposées de l'outil sous tension et électrocutera l'utilisateur.
- **Tenir les mains éloignées de l'aire de coupe et de la lame.** Garder une main sur la poignée principale et l'autre, sur la poignée avant afin d'éviter de perdre la maîtrise de l'outil et de risquer des blessures.
- Toujours s'assurer que la scie à ruban portative est propre avant de l'utiliser.
- Toujours arrêter immédiatement le fonctionnement de la scie lorsqu'on remarque une anomalie.
- Toujours s'assurer que les composants sont installés correctement et fixés solidement avant d'utiliser l'outil.

⚠ATTENTION : *si en cours de coupe, la lame à ruban se bloque ou se coince dans la pièce, relâcher immédiatement la détente pour éviter d’endommager la lame de la scie à ruban et le moteur.*

- Le poids de l’outil à lui seul fournit la pression vers le bas nécessaire pour réaliser une coupe efficace; toute pression additionnelle exercée par l’opérateur ralentira la lame et réduira sa durée de vie.
- Toute extrémité de la pièce suffisamment lourde pour blesser l’opérateur doit être soutenue lorsqu’elle se détache. On recommande fortement le port de chaussures de sécurité. Les extrémités peuvent être chaudes.
- Une fois la coupe terminée, tenir fermement la scie des deux mains afin d’éviter qu’elle ne tombe et qu’elle entre en contact avec les matériaux retenus ou soutenus. **TOUJOURS METTRE L’OUTIL HORS TENSION AVANT DE MODIFIER LA VITESSE.**

Conseils pratiques pour obenir une meilleure coupe

Les recommandations suivantes doivent servir de guide. Les résultats obtenus peuvent varier selon l’opérateur et le matériau utilisé.

- Ne jamais tordre la lame de la scie à ruban durant la coupe.
- Ne jamais utiliser de liquides de refroidissement avec une scie à ruban portable afin d’éviter qu’ils ne s’accumulent sur les roues et de réduire ainsi le rendement de l’outil.
- En présence d’une vibration excessive durant la coupe, arrêter la scie à ruban et régler légèrement la vitesse. S’assurer que le matériau à couper est fixé solidement. Si le problème persiste, changer la lame de la scie à ruban.

MAINTENANCE

⚠AVERTISSEMENT : *pour réduire le risque de blessures, éteindre l’appareil et le débrancher avant d’installer ou de retirer tout accessoire et avant d’effectuer des réglages ou des réparations. Un démarrage accidentel peut provoquer des blessures.*

Nettoyage

⚠AVERTISSEMENT : *enlever les saletés et la poussière hors des événements au moyen d’air comprimé propre et sec, au moins une fois par semaine. Pour minimiser le risque de blessure aux yeux, toujours porter une protection oculaire conforme à la norme ANSI Z87.1 lors du nettoyage.*

⚠AVERTISSEMENT : *ne jamais utiliser de solvants ni d’autres produits chimiques puissants pour nettoyer les pièces non métalliques de l’outil. Ces produits chimiques peuvent affaiblir les matériaux de plastique utilisés dans ces pièces. Utiliser un chiffon humecté uniquement d’eau et de savon doux. Ne jamais laisser de liquide pénétrer dans l’outil et n’immerger aucune partie de l’outil dans un liquide.*

Accessoires

⚠AVERTISSEMENT : *puisque les accessoires autres que ceux offerts par DEWALT n’ont pas été testés avec ce produit, leur utilisation pourrait s’avérer dangereuse. Pour réduire le risque de blessures, utiliser exclusivement les accessoires DEWALT recommandés avec le présent produit.*

Les accessoires recommandés pour cet outil sont vendus séparément au centre de service de votre région. Pour obtenir de l’aide concernant l’achat d’un accessoire, communiquer avec DEWALT Industrial Tool Co., 701 East Joppa Road, Baltimore, MD 21286 aux États-Unis; composer le 1 800 433-9258 (1 800 4-DEWALT) ou visiter notre site Web : www.dewalt.com.

Réparations

Pour assurer la SÉCURITÉ et la FIABILITÉ du produit, les réparations, l’entretien et les réglages doivent être réalisés (cela comprend l’inspection et le remplacement du balai) par un centre de réparation en usine DEWALT, un centre de réparation agréé DEWALT ou par d’autres techniciens qualifiés. Toujours utiliser des pièces de rechange identiques.

Registre en ligne

Merci pour votre achat. Enregistrez dès maintenant votre produi:

- RÉPARATIONS SOUS GARANTIE:** cette carte remplie vous permettra de vous prévaloir du service de réparations sous garantie de façon plus efficace dans le cas d’un problème avec le produit.
- CONFIRMATION DE PROPRIÉTÉ:** en cas de perte provoquée par un incendie, une inondation ou un vol, cette preuve de propriété vous servira de preuve auprès de votre compagnie d’assurances.
- SÉCURITÉ:** l’enregistrement de votre produit nous permettra de communiquer avec vous dans l’éventualité peu probable de l’envoi d’un avis de sécurité régi par la loi fédérale américaine de la protection des consommateurs.

Registre en ligne à www.dewalt.com/register.

Garantie limitée de trois ans

DEWALT réparera, sans frais, tout produit défectueux causé par un défaut de matériel ou de fabrication pour une période de trois ans à compter de la date d’achat. La présente garantie ne couvre pas les pièces dont la défectuosité a été causée par une usure normale ou l’usage abusif de l’outil. Pour obtenir de plus amples renseignements sur les pièces ou les réparations couvertes par la présente garantie, visiter le site www.dewalt.com ou composer le 1 800 433-9258 (1 800 4-DEWALT). Cette garantie ne s’applique pas aux accessoires et ne vise pas les dommages causés par des réparations effectuées par un tiers. Cette garantie confère des droits légaux particuliers à l’acheteur, mais celui-ci pourrait aussi bénéficier d’autres droits variant d’un état ou d’une province à l’autre.

En plus de la présente garantie, les outils DEWALT sont couverts par notre :

CONTRAT D’ENTRETIEN GRATUIT D’UN AN

DEWALT entretiendra l’outil et remplacera les pièces usées au cours d’une utilisation normale et ce, gratuitement, pendant une période d’un an à compter de la date d’achat.

GARANTIE DE REMBOURSEMENT DE 90 JOURS

Si l’acheteur n’est pas entièrement satisfait, pour quelque raison que ce soit, du rendement de l’outil électrique, du laser ou de la cloueuse DEWALT, celui-ci peut le retourner, accompagné d’un reçu, dans les 90 jours à compter de la date d’achat pour obtenir un remboursement intégral, sans aucun problème.

AMÉRIQUE LATINE : cette garantie ne s’applique aux produits vendus en Amérique latine. Pour ceux-ci, veuillez consulter les informations relatives à la garantie spécifique présente dans l’emballage, appeler l’entreprise locale ou consulter le site Web pour les informations relatives à cette garantie.

REMPACEMENT GRATUIT DES ÉTIQUETTES D’AVERTISSEMENT : si les étiquettes d’avertissement deviennent illisibles ou sont manquantes, composer le 1 800 433-9258 (1 800 4-DEWALT) pour en obtenir le remplacement gratuit.

DW328 VARIABLE SPEED PORTABLE BAND SAW
SER.
<div><div><div><div><div><div></div></div></div><div><div><div></div></div></div><div><div><div></div></div></div></div></div></div> <div>⚠WARNING TO REDUCE THE RISK OF INJURY, USER MUST READ INSTRUCTION MANUAL. ALWAYS USE PROPER EYE AND RESPIRATORY PROTECTION.</div> <div>⚠ADVERTENCIA PARA DISMINUIR EL RIESGODE LESIONES, EL USUARIO DEBERÁ LEER EL MANUAL DE INSTRUCCIONES. SIEMPRE SE DEBERÁ LLEVAR LA PROTECCIÓN APROPIADA PARA LA VISTA Y PARA LAS VIAS RESPIRATORIAS.</div> <div>⚠AVERTISSEMENT AFIN DE MINIMISER LES RISQUES DE BLESSURES, L’UTILISATEUR DOIT LIRE LE GUIDE D’UTILISATION. IL FAUT TOUJOURS PORTER DE L’ÉQUIPEMENT DE PROTECTION OCULAIRE ET RESPIRATOIRE APPROPRIÉ.</div>
<small>DEWALT INDUSTRIAL TOOL CO., BALTIMORE, MD 21286 U.S.A. FOR SERVICE INFORMATION, CALL 1-800-4-DEWALT www.DEWALT.com</small>

CONSERVE TODAS LAS ADVERTENCIAS E INSTRUCCIONES PARA FUTURAS CONSULTAS

El término “herramienta eléctrica” incluido en las advertencias hace referencia a las herramientas eléctricas operadas con corriente (con cable eléctrico) o a las herramientas eléctricas operadas con baterías (finalámbricas).

1) SEGURIDAD EN EL ÁREA DE TRABAJO

- Mantenga el área de trabajo limpia y bien iluminada.** Las áreas abarrotadas y oscuras propician accidentes.*
- No opere las herramientas eléctricas en atmósferas explosivas, como ambientes donde haya polvo, gases o líquidos inflamables.** Las herramientas eléctricas originan chispas que pueden encender el polvo o los vapores.*
- Mantenga alejados a los niños y a los espectadores de la herramienta eléctrica en funcionamiento.** Las distracciones pueden provocar la pérdida de control.*

2) SEGURIDAD ELÉCTRICA

- Los enchufes de la herramienta eléctrica deben adaptarse al tomacorriente. Nunca modifique el enchufe de ninguna manera. No utilice ningún enchufe adaptador con herramientas eléctricas con conexión a tierra.** Los enchufes no modificados y que se adaptan a los tomacorrientes reducirán el riesgo de descarga eléctrica.*
- Evite el contacto corporal con superficies con descargas a tierra como, por ejemplo, tuberías, radiadores, cocinas eléctricas y refrigeradores.** Existe mayor riesgo de descarga eléctrica si su cuerpo está puesto a tierra.*
- No exponga las herramientas eléctricas a la lluvia o a condiciones de humedad.** Si entra agua a una herramienta eléctrica, aumentará el riesgo de descarga eléctrica.*
- No maltrate el cable. Nunca utilice el cable para transportar, tirar o desenchufar la herramienta eléctrica. Mantenga el cable alejado del calor, el aceite, los bordes filosos y las piezas móviles.** Los cables dañados o enredados aumentan el riesgo de descarga eléctrica.*
- Al operar una herramienta eléctrica en el exterior, utilice un cable prolongador adecuado para tal uso.** Utilice un cable adecuado para uso en exteriores a fin de reducir el riesgo de descarga eléctrica.*
- Si el uso de una herramienta eléctrica en un lugar húmedo es imposible de evitar, utilice un suministro protegido con un interruptor de circuito por falla a tierra (GFCI).** El uso de un GFCI reduce el riesgo de descargas eléctricas.*

3) SEGURIDAD PERSONAL

- Permanezca alerta, controle lo que está haciendo y utilice el sentido común cuando emplee una herramienta eléctrica. No utilice una herramienta eléctrica si está cansado o bajo el efecto de drogas, alcohol o medicamentos.** Un momento de desuido mientras se opera una herramienta eléctrica puede provocar lesiones personales graves.*
- Utilice equipos de protección personal. Siempre utilice protección para los ojos.** En las condiciones adecuadas, el uso de equipos de protección, como máscaras para polvo, calzado de seguridad antideslizante, cascos o protección auditiva, reducirá las lesiones personales.*
- Evite el encendido por accidente. Asegúrese de que el interruptor esté en la posición de apagado antes de conectarlo a la fuente de energía o paquete de baterías, o antes de levantar o transportar la herramienta.** Transportar herramientas eléctricas con el dedo apoyado en el interruptor o enchufar herramientas eléctricas con el interruptor en la posición de encendido puede propiciar accidentes.*
- Retire la clavija de ajuste o la llave de tuercas antes de encender la herramienta eléctrica.** Una llave de tuercas o una clavija de ajuste que quede conectada a una pieza giratoria de la herramienta eléctrica puede provocar lesiones personales.*
- No se estire. Conserve el equilibrio y párese adecuadamente en todo momento.** Esto permite un mejor control de la herramienta eléctrica en situaciones inesperadas.*
- Use la vestimenta adecuada. No use ropas holgadas ni joyas. Mantenga el cabello, la ropa y los guantes alejados de las piezas en movimiento.** Las ropas holgadas, las joyas o el cabello largo pueden quedar atrapados en las piezas en movimiento.*
- Si se suministran dispositivos para la conexión de accesorios con fines de recolección y extracción de polvo, asegúrese de que estén conectados y que se utilicen correctamente.** El uso de dispositivos de recolección de polvo puede reducir los peligros relacionados con el polvo.*

4) USO Y MANTENIMIENTO DE LA HERRAMIENTA ELÉCTRICA

- No fuerce la herramienta eléctrica. Utilice la herramienta eléctrica correcta para el trabajo que realizará.** Si se la utiliza a la velocidad para la que fue diseñada, la herramienta eléctrica correcta permite trabajar mejor y de manera más segura.*
- No utilice la herramienta eléctrica si no puede encenderla o apagarla con el interruptor.** Toda herramienta eléctrica que no pueda ser controlada mediante el interruptor es peligrosa y debe repararse.*
- Desconecte el enchufe de la fuente de energía o el paquete de baterías de la herramienta eléctrica antes de realizar ajustes, cambiar accesorios o almacenar la herramienta eléctrica.** Estas medidas de seguridad preventivas reducen el riesgo de encender la herramienta eléctrica en forma accidental.*
- Guarde la herramienta eléctrica que no esté en uso fuera del alcance de los niños y no permita que otras personas no familiarizadas con ella o con estas instrucciones operen la herramienta.** Las herramientas eléctricas son peligrosas si son operadas por usuarios no capacitados.*
- Realice el mantenimiento de las herramientas eléctricas. Revise que no haya piezas en movimiento mal alineadas o trabadas, piezas rotas o cualquier otra situación que pueda afectar el funcionamiento de la herramienta eléctrica. Si encuentra daños, haga reparar la herramienta eléctrica antes de utilizarla.** Se producen muchos accidentes a causa de las herramientas eléctricas que carecen de un mantenimiento adecuado.*
- Mantenga las herramientas de corte afiladas y limpias.** Las herramientas de corte con mantenimiento adecuado y con los bordes de corte afilados son menos propensas a trabarse y son más fáciles de controlar.*
- Utilice la herramienta eléctrica, los accesorios y las brocas de la herramienta, etc. de acuerdo con estas instrucciones y teniendo en cuenta las condiciones de trabajo y el trabajo que debe realizarse.** El uso de la herramienta eléctrica para operaciones diferentes de aquéllas para las que fue diseñada podría originar una situación peligrosa.*

5) MANTENIMIENTO

- Solicite a una persona calificada en reparaciones que realice el mantenimiento de su herramienta eléctrica y que sólo utilice piezas de repuesto idénticas.** Esto garantizará la seguridad de la herramienta eléctrica.*

Reglas de Seguridad Adicionales – Sierras de Banda Portátiles

- Sujete la herramienta eléctrica de sus superficies aislantes cuando lleve a cabo una operación en que el accesorio de corte pudiera entrar en contacto con un hilo eléctrico oculto o con su propio cable.** Los accesorios de corte que entren en contacto con un hilo eléctrico activo podrían hacer que las partes metálicas de la herramienta eléctrica también se activen con electricidad y que el operador sufra una descarga eléctrica.
- Mantenga las manos alejadas del área y de la hoja de corte.** Mantenga una mano sobre el mango principal y la otra sobre el mango delantero para evitar perder el control, lo cual podría resultar en lesiones corporales.
- Asegúrese siempre de que la sierra de banda portátil esté limpia antes de utilizarla.
- Detenga siempre la operación de la sierra si nota cualquier anomalidad.
- Asegúrese siempre que todas las piezas estén debida y firmemente montadas antes de utilizar la herramienta.
- Maneje siempre la hoja de la sierra de banda con cuidado cuando la monte o retire de la sierra.
- Mantenga siempre las manos alejadas de la trayectoria de la hoja de la sierra de banda.
- Espere siempre a que el motor haya alcanzado su velocidad completa antes de iniciar el corte.
- Mantenga siempre los mangos secos, limpios y libres de aceites y grasas. Sostenga la herramienta con firmeza cuando la use.
- Esté alerta en todo momento, especialmente durante operaciones repetitivas y monótonas. Esté siempre seguro de la posición de sus manos en relación a la hoja.
- Jamás retire la guía del material/tope de trabajo.
- Manténgase alejado de los extremos que pudieran caerse una vez que sean cortados. Pueden estar calientes o ser filudos y/o pesados. Puede resultar en lesiones corporales serias.

⚠ADVERTENCIA: NO modifique ni utilice esta herramienta para ninguna otra aplicación fuera de la cual para la que fue diseñada.

⚠ADVERTENCIA: Peligro de descarga eléctrica. Tenga mucho cuidado cuando haga cortes ciegos en lugares donde hay ductos y tuberías. Asegúrese que el objeto a ser cortado no contenga cables eléctricos, gases o agua, etc., los cuales podrían crear condiciones peligrosas y causar lesiones corporales y daños a su propiedad.

- Los orificios de ventilación suelen cubrir piezas en movimiento, por lo que también se deben evitar.** Las piezas en movimiento pueden atrapar prendas de vestir sueltas, joyas o el cabello largo.

Definiciones: Normas de seguridad

Las siguientes definiciones describen el nivel de gravedad de cada palabra de señal. Lea el manual y preste atención a estos símbolos.

⚠PELIGRO: *indica una situación de peligro inminente que, si no se evita, provocará la muerte o lesiones graves.*

⚠ADVERTENCIA: *indica una situación de peligro potencial que, si no se evita, podría provocar la muerte o lesiones graves.*

⚠ATENCIÓN: *indica una situación de peligro potencial que, si no se evita, posiblemente provocaría lesiones leves o moderadas.*

AVISO: *se refiere a una práctica no relacionada a lesiones corporales que de no evitarse puede resultar en daños a la propiedad.*

SI TIENE ALGUNA DUDA O ALGÚN COMENTARIO SOBRE ÉSTA U OTRA HERRAMIENTA DEWALT, LLÁMENOS AL NÚMERO GRATUITO: **1-800-4-DEWALT (1-800-433-9258).**

⚠ADVERTENCIA: *Para reducir el riesgo de lesiones, lea el manual de instrucciones.*

Advertencias generales de seguridad para herramientas eléctricas

⚠ADVERTENCIA! *Lea todas las advertencias de seguridad e instrucciones. El incumplimiento de las advertencias e instrucciones puede provocar descargas eléctricas, incendios o lesiones graves.*

- El cable de extensión deben ser de un calibre apropiado para su seguridad.** Mientras menor sea el calibre del hilo, mayor la capacidad del cable. Es decir, un hilo calibre 16 tiene mayor capacidad que uno de 18. Un cable de un calibre insuficiente causará una caída en la tensión de la línea dando por resultado una pérdida de energía y sobrecalentamiento. Cuando se utilice más de un alargador para completar el largo total, asegúrese que los hilos de cada alargador tengan el calibre mínimo. La tabla siguiente muestra el tamaño correcto a utilizar, dependiendo de la longitud del cable y del amperaje nominal de la placa de identificación. Si tiene dudas sobre cuál calibre usar, use un calibre mayor. Cuanto más pequeño sea el número del calibre, más resistente será el cable.

Calibre mínimo para cables de alimentación						
Amperaje		Voltios	Largo total del cordón en metros (pies)			
		120 V	7,6 (25)	15,2 (50)	30,5 (100)	45,7 (150)
		240 V	15,2 (50)	30,5 (100)	61,0 (200)	91,4 (300)
Más de	No más de	AWG				
0	6		18	16	16	14
6	10		18	16	14	12
10	12		16	16	14	12
12	16		14	12	No recomendado	

⚠ADVERTENCIA: Use **SIEMPRE** lentes de seguridad. Los anteojos de diario **NO SON** lentes de seguridad. Utilice además una cubrebocas o mascarilla antipolvo si la operación de corte genera demasiado polvo. **SIEMPRE LLEVE EQUIPO DE SEGURIDAD CERTIFICADO:**

- Protección ocular ANSI Z87.1 (CAN/CSA Z94.3),
- Protección auditiva ANSI S12.6 (S3.19),
- Protección respiratoria NIOSH/OSHA/MSHA.

⚠ADVERTENCIA: Algunas partículas de polvo generadas al lijar, serrar, esmerilar y taladrar con herramientas eléctricas, así como al realizar otras actividades de construcción, contienen químicos que el Estado de California sabe que pueden producir cáncer, defectos congénitos u otras afecciones reproductivas. Ejemplos de estos químicos son:



- plomo de algunas pinturas en base a plomo,
- polvo de sílice proveniente de ladrillos y cemento y otros productos de albañilería, y
- arsénico y cromo provenientes de madera tratada químicamente.

Su riesgo de exposición a estos químicos varía, dependiendo de la frecuencia con la cual realiza usted este tipo de trabajo. Para reducir su exposición a estas sustancias químicas: trabaje en una zona bien ventilada y llevando equipos de seguridad aprobados, como mascarillas antipolvo especialmente diseñadas para filtrar partículas microscópicas.

- Evite el contacto prolongado con polvo generado por el lijado, aserrado, pulido, taladrado y otras actividades de construcción. Vista ropas protectoras y lave las áreas de la piel expuestas con agua y jabón.** Si permite que el polvo se introduzca en la boca u ojos o quede sobre la piel, puede favorecer la absorción de productos químicos peligrosos.

⚠ADVERTENCIA: La utilización de esta herramienta puede generar polvo o dispersarlo, lo que podría causar daños graves y permanentes al sistema respiratorio, así como otras lesiones. Siempre use protección respiratoria aprobada por NIOSH (Instituto Nacional de Seguridad y Salud en el Trabajo) u OSHA (Administración de Seguridad y Salud en el Trabajo) apropiada para la exposición al polvo. Dirija las partículas en dirección contraria a la cara y el cuerpo.

- La etiqueta de su herramienta puede incluir los siguientes símbolos. A continuación se indican los símbolos y sus definiciones:

V.....voltios	A.....amperios
Hz.....hertz	W.....vatios
minminutos	~ o AC.....corriente alterna
== o DC....corriente directa	⎓ o AC/DCcorriente alterna o directa
Construcción de Clase I (tierra)	<i>n</i> o.....velocidad sin carga
Construcción de Clase II (doble aislamiento)	<i>n</i>velocidad nominal
.../minpor minuto	⚠símbolo de advertencia de seguridad
IPM.....impactos por minuto	BPM.....golpes por minuto
sfpmpies de superficie por minuto	RPMrevoluciones por minuto
SPMpasadas por minuto	

GUARDE ESTAS INSTRUCCIONES PARA FUTURAS CONSULTAS

Motor

Asegúrese de que la fuente de energía concuerde con lo que se indica en la placa. Un descenso en el voltaje de más del 10% producirá una pérdida de potencia y sobrecalentamiento. Todas las herramientas DEWALT son probadas en fábrica; si esta herramienta no funciona, verifique el suministro eléctrico.

Esta sierra de banda ha sido diseñada para diversos tipos de material, de un diámetro máximo de 120 mm (4-3/4 pulg.) ó de una dimensión máxima de 114 mm (4-1/2 pulg.) x 120 mm (4-3/4 pulg.) para piezas rectangulares de 90°.

COMPONENTES (Fig. 1, 2)

⚠ADVERTENCIA: Nunca modifique la herramienta eléctrica, ni tampoco ninguna de sus piezas. Podría producir lesiones corporales o daños.

- | | |
|---|-------------------------|
| A. Mango auxiliar | I. Rueda de velocidad |
| B. Botón de bloqueo | J. Hoja |
| C. Interruptor disparador | K. Llantas de goma |
| D. Mango principal | L. Polea |
| E. Material guide/tope de trabajo | M. Protector de la hoja |
| F. Rodillos de guía | |
| G. Hoja de seguimiento de la tuerca de ajuste | |
| H. Palanca de tensión de la hoja | |

USO DEBIDO

Esta sierra de banda para trabajo pesado ha sido diseñada para aplicaciones profesionales de corte de metales.

NO utilice la herramienta en condiciones de humedad o en presencia de líquidos o gases inflamables.

Esta sierra de banda es una herramienta eléctrica profesional. **NO** permita que los niños toquen la herramienta. Si el operador no tiene experiencia operando esta herramienta, su uso deberá ser supervisado.

MONTAJE Y AJUSTES

⚠ADVERTENCIA: Para reducir el riesgo de lesiones personales graves, apague la herramienta y desconéctela de la fuente de alimentación antes de instalar y retirar accesorios, ajustar o cambiar configuraciones o realizar reparaciones. Un arranque accidental podría causar lesiones.

Hojas

Esta sierra de banda portátil está configurada para ser utilizada con hojas de 0,5 mm (0,020 pulg.) de grosor, 12,5 mm (1/2 pulg.) de ancho y 1140 mm (44-7/8 pulg.) de largo. Si desea utilizar hojas de 0,64 mm (0,025 pulg.), por favor contacte a un centro de servicio DEWALT autorizado.

⚠ADVERTENCIA: El uso de cualquier otro tipo de hoja o accesorio podría ser peligroso. NO utilice ningún otro tipo de accesorio con su sierra de banda. Las hojas utilizadas en sierras de banda estacionarias son de un grosor diferente. No intente utilizarlas con su unidad portátil.

Selección de la hoja

En general, considere primero el tamaño y la forma de la pieza de trabajo y el tipo de material a ser cortado. Recuerde que para realizar cortes más eficientes, se debería utilizar la hoja con los dientes más gruesos posibles en una aplicación dada pues mientras más grueso el diente, más rápido el corte. En la selección del número apropiado de dientes por milímetro para las hojas de sierras de banda, fíjese que al menos dos dientes deben entrar en contacto con la superficie de la pieza de trabajo cuando se descansa la hoja contra la pieza de trabajo. Como regla general, los materiales blandos generalmente requieren hojas con dientes gruesos mientras que los materiales duros requieren hojas de dientes más finos. Cuando requiera un acabado más suave, seleccione una de las hojas de dientes más finos.

Seleccione la hoja para su sierra de banda de acuerdo al tipo de material, las dimensiones y el número de dientes. Vea el cuadro **Descripción de la hoja**.

⚠ATENCIÓN: La siguiente tabla sólo puede ser utilizada como una guía general. Determine el tipo de material y la dimensión de la pieza de trabajo y seleccione la hoja para sierra de banda más adecuada. La aplicación incorrecta de la hoja puede ocasionar la pérdida de control y lesiones personales.

⚠ATENCIÓN: Jamás utilice la sierra de banda para cortar materiales de resina que pudieran derretirse. El material de resina derretido por el calor generado durante el corte podría hacer que la hoja de la sierra de banda se adhiera al material, posiblemente sobrecargándola y quemando su motor.

DESCRIPCIÓN DE LA HOJA						
Tipo de hoja para sierras de banda	De dos metales					
Número de dientes por pulgada	24	18	14	10	14/18	10/14
Grosor de la pieza de trabajo						
3,2 mm (1/8 pulg.) y menor	•	•				
3,2 - 6,4 mm (1/8 - 1/4 pulg.)			•		•	
6,4 - 10,3 mm (1/4 - 13/32 pulg.)				•		•
10,3 mm (13/32 pulg.) y superior				•		

Velocidad de la hoja (Fig. 1)

Su sierra de banda portátil DW328 está equipada con velocidades variables para brindar mayor versatilidad. Gire la rueda de velocidad (I) para seleccionar la velocidad deseada (Fig. 1). La velocidad 1 es la más baja y la velocidad 6 es la más alta.Cuando conecte la herramienta a una fuente de alimentación de CA, use las configuraciones de velocidad 1 a 6. Cuando la conecte a una fuente de alimentación de CC, debe usar la velocidad 6.

AVISO: Para evitar que el interruptor de velocidad se dañe cuando usa una fuente de alimentación de CC, use siempre la velocidad 6 (la más rápida). Siempre apague la sierra, configure la rueda de velocidad (I) en la posición 6 y después encienda la sierra.

Cuando corte cobre, latón, bronce, aluminio, fiero fundido, fiero angular o acero dulce, use una velocidad mayor. Gire el botón de velocidad a una velocidad mayor.

Cuando corte tubería de plástico, aceros más duros, acero al cromo, acero al tungsteno, acero inoxidable y otros materiales complicados, use una velocidad baja. Gire el botón de velocidad a una velocidad menor.

NOTA: Cuando corte tubería de plástico, las velocidades mayores pueden derretirlo.

Instalación y desinstalación de las hojas

⚠ADVERTENCIA: Para reducir el riesgo de lesiones personales graves, apague la herramienta y desconéctela de la fuente de alimentación antes de instalar y retirar accesorios, ajustar o cambiar configuraciones o realizar reparaciones. Un arranque accidental podría causar lesiones.

⚠ATENCIÓN: Peligro de corte. La palanca de tensión de la hoja funciona por presión a resorte. Cuando libere la tensión de la hoja, conserve el control de la palanca, o la hoja se podría soltar y causar una lesión personal.

PARA DESINSTALAR LA HOJA (FIG. 1, 2)

- Gire la palanca de tensión de la hoja (H) en dirección a las manillas del reloj hasta que se detenga para relajar la tensión de la hoja.
- De vuelta la sierra y póngala sobre una banca o mesa de trabajo con el cable a la izquierda.
- Para desinstalarla, empiece por el protector de la hoja (M) y siga alrededor de las poleas (L). Cuando retire la hoja, la tensión puede ser liberada y la hoja puede saltar de su lugar. LAS HOJAS DE SIERRAS SON FILUDAS. TENGA CUIDADO CUANDO LAS MANEJE.
- Revise los rodillos de guía (F1, F2) y retire cualquier pieza grande que pudiera encontrarse atrapada en ellos. Las piezas atrapadas pueden prevenir la rotación de los rodillos guía y causar áreas planas en los rodillos de guía.
- Las llantas de goma (K) están montadas en las poleas (L). Las llantas de goma deberían ser revisadas para confirmar que no están sueltas ni dañadas cuando se cambie la hoja. Limpie cualquier astilla que encuentre en las llantas de goma de las poleas. Esto aumentará la duración de las llantas y evitará que la hoja se resbale. Si se sueltan o dañan, la herramienta debería ser llevada a un centro de servicio autorizado DEWALT para ser reparada o cambiada lo antes posible. El uso continuo de la herramienta con llantas de goma sueltas o dañadas causará que la hoja de la sierra de banda se desestabilice al desplazarse.

PARA INSTALAR LA HOJA (FIG. 1, 3, 4)

- Coloque la hoja de modo que los dientes estén en la parte inferior y en ángulo hacia la guía del material/el tope de trabajo (E), como se muestra en las Figuras 1 y 3.
- Deslice la hoja en los rodillos guía (F), como se muestra en la Figura 4.
- Mientras sostiene la hoja en los rodillos de guía, colóquela alrededor de ambas poleas (L) y a través de la guía del material/el tope de trabajo (E), como se muestra en la Figura 5.
- Asegúrese de que la hoja esté bien insertada en los rodillos guía (F) y en escuadra con respecto a las cubiertas de goma (K).
- Voltee lentamente la sierra de modo que las poleas descansen sobre su banca o mesa de trabajo y gire la palanca de tensión de la hoja (H) en dirección contraria a las manillas del reloj hasta que se detenga. Asegúrese que los dientes miren en dirección opuesta a la sierra de banda (Fig. 1, 3).
- Encienda y apague la sierra un par de veces para asegurar que la hoja esté debidamente alojada

Control de la hoja

Su sierra de banda está equipada con un mecanismo de control de la hoja ajustable que asegura el control adecuado de la hoja en todo momento. El borde trasero de una hoja correctamente alineada funcionará levemente contra uno o los dos rodillos de respaldo en las guías de la hoja. (La presión entre el borde de la hoja y el rodillo será leve y no dañará ni la hoja ni el rodillo).

PARA AJUSTAR EL CONTROL DE LA HOJA (FIG. 1)

- Use una llave de 20 mm (9/16 pulg.) para aflojar la tuerca de seguridad (G) mediante uno o dos giros en sentido contrario a las agujas del reloj, como se muestra en la Figura 1.
- Use un destornillador para girar el tornillo de control un 1/4 de giro. Girar el tornillo en el sentido de las agujas del reloj moverá la hoja hacia arriba y la acercará a los rodillos guía de la hoja. Girar el tornillo en sentido contrario a las agujas del reloj moverá la hoja hacia abajo y la alejará de los rodillos.
- Ajuste de modo que el borde trasero de la hoja toque los rodillos; luego, ajuste la tuerca de seguridad (G) con firmeza. (Será necesario enchufar la sierra y ponerla en funcionamiento para observar el control de la hoja).
- Arranque la sierra varias veces para observar el control de la hoja entre arranques y repita los pasos 1 al 4 según sea necesario hasta lograr el control de la hoja adecuado.

OPERACIÓN

⚠ADVERTENCIA: Para reducir el riesgo de lesiones personales graves, apague la herramienta y desconéctela de la fuente de alimentación antes de instalar y retirar accesorios, ajustar o cambiar configuraciones o realizar reparaciones. Un arranque accidental podría causar lesiones.

⚠ADVERTENCIA: Limpie meticulosamente todo aceite y toda grasa que tenga la pieza de trabajo antes de fijarla en un torno u otro dispositivo de sujeción. Si la pieza de trabajo no está bien sujeta, puede soltarse durante el corte y romperse, lo cual podría causar graves lesiones corporales.

⚠ADVERTENCIA: Nunca conecte la herramienta a una fuente de alimentación que no tenga el voltaje especificado en la placa de la herramienta. Aplicar una velocidad excesiva a la hoja y dejar sobrecalentar la herramienta puede causar una lesión personal.

⚠ADVERTENCIA: Peligro de laceración. Si el cable de alimentación está enchufado y el interruptor disparador está en ON (encendido), la máquina herramienta podría encenderse repentinamente y causar un accidente serio..

Interruptor disparador (Fig. 1)

Para arrancar la herramienta, oprima el interruptor disparador (C). Para apagarla, suelte el interruptor.

El botón de bloqueo (B) se suministra para mantener la sierra en funcionamiento sin tener que sostener presionado el disparador en la posición “ON”. Para bloquear el disparador en la posición “ON”, oprima el disparador hasta el fondo, presione el botón de bloqueo y libere el disparador. Para destrabar el botón de bloqueo, oprima y libere el interruptor disparador.

Corte (Fig. 1, 6, 7)

⚠ADVERTENCIA: Consulte la Figura 7 para conocer las posiciones de corte de distintos materiales. La pérdida de control puede ocasionar lesiones personales graves.

NOTA: Seleccione y use la hoja para sierra de banda más adecuada para el material que desea cortar. Para mayor información, consulte la sección **Selección de la hoja**.

- Coloque firmemente el material que desea cortar en una prensa u otro dispositivo con abrazaderas. Para usar esta herramienta, nunca la apoye sobre la superficie de trabajo ni acerque el material a la herramienta. Asegure siempre la pieza de trabajo con abrazaderas y acerque la herramienta a la pieza de trabajo mientras sostiene con seguridad la herramienta con ambas manos, como se muestra en la Figura 6.
- Ponga en contacto la pieza de trabajo con la guía del material/el tope de trabajo (E). Encienda la sierra.
- Cuando la sierra alcanza la velocidad de rotación deseada, lentamente y con suavidad incline el cuerpo principal de la herramienta para poner en contacto la hoja para sierra de banda con la pieza de trabajo. No ejerza presión adicional en exceso sobre el peso del cuerpo principal de la herramienta. Con cuidado, evite poner en contacto la hoja para sierra de banda con la superficie superior de la pieza de trabajo en forma repentina y brusca. Esto ocasionará un daño serio a la hoja para sierra de banda. Para obtener la máxima vida de servicio de la hoja para sierra de banda, asegúrese de que no se produzca un impacto repentino al comienzo de la operación de corte.
- ⚠ATENCIÓN:** Si durante el corte, la sierra de banda se traba o atasca en el material de la pieza de trabajo, libere el interruptor de inmediato para evitar que la hoja y el motor se dañen.
- El peso de la herramienta proporciona la presión de corte hacia abajo más eficiente. Si el operador añade más presión, la hoja irá más lentamente y durará menos.
- Los extremos, que podrían ser lo suficientemente pesados como para causar lesiones cuando se caigan luego del corte, deberían ser debidamente apoyadas. Se recomienda utilizar calzado de seguridad. Las piezas extremas pueden estar calientes.

6. Sostenga firmemente la sierra con ambas manos para que la sierra no se caiga contra el material sujeto o apoyado cuando se complete el corte. **NO REALICE CAMBIOS A LA VELOCIDAD A NO SER QUE LA HERRAMIENTA HAYA SIDO APAGADA.**

Consejos para un corte mejor

Las siguientes recomendaciones deberían ser utilizadas como guía. Los resultados pueden variar dependiendo del operador y del material en particular que se está cortando.

- Jamás tuerza la hoja de la sierra durante el corte.
- Nunca utilice refrigerantes líquidos con sierras de banda portátiles. El uso de refrigerantes líquidos puede causar una acumulación en las llantas y entorpecer el desempeño.
- Si ocurre una vibración excesiva durante el corte, apague la sierra y ajuste ligeramente la velocidad. Asegúrese que el material que se está cortando está firmemente sujeto. Si la vibración sigue, cambie la hoja de la sierra.

MANTENIMIENTO

⚠ADVERTENCIA: Para reducir el riesgo de lesiones personales graves, apague la herramienta y desconéctela de la fuente de alimentación antes de instalar y retirar accesorios, ajustar o cambiar configuraciones o realizar reparaciones. Un arranque accidental podría causar lesiones.

Limpieza

⚠ADVERTENCIA: Sople la suciedad y el polvo de todos los conductos de ventilación con aire seco, al menos una vez por semana. Para reducir el riesgo de lesiones, utilice siempre protección para los ojos aprobada ANSI Z87.1 al realizar esta tarea.

⚠ADVERTENCIA: Nunca utilice solventes ni otros químicos abrasivos para limpiar las piezas no metálicas de la herramienta. Estos productos químicos pueden debilitar los materiales plásticos utilizados en estas piezas. Utilice un paño humedecido sólo con agua y jabón neutro. Nunca permita que penetre líquido dentro de la herramienta ni sumerja ninguna de las piezas en un líquido.

Accesorios

⚠ADVERTENCIA: Debido a que no se han probado con este producto otros accesorios que no sean los que ofrece DeWALT, el uso de dichos accesorios con esta herramienta podría ser peligroso. Para reducir el riesgo de lesiones, con este producto deben usarse sólo los accesorios recomendados por DeWALT.

Los accesorios que se recomiendan para utilizar con la herramienta están disponibles a un costo adicional en su distribuidor local o en un centro de mantenimiento autorizado. Si necesita ayuda para localizar algún accesorio, póngase en contacto con DeWALT Industrial Tool Co., 701 East Joppa Road, Baltimore, MD 21286, llame al 1-800-4-DeWALT (1-800-433-9258) o visite nuestro sitio Web: www.dewalt.com.

Reparaciones

Para asegurar la SEGURIDAD y la CONFIABILIDAD del producto, las reparaciones, el mantenimiento y los ajustes deben (inclusive inspección y cambio de carbones) ser realizados en un centro de mantenimiento en la fábrica DeWALT, en un centro de mantenimiento autorizado DeWALT u por otro personal de mantenimiento calificado. Utilice siempre piezas de repuesto idénticas.

PARA REPARACIÓN Y SERVICIO DE SUS HERRAMIENTAS ELÉCTRICAS, FAVOR DE DIRIGIRSE AL CENTRO DE SERVICIO MÁS CERCANO

CULIACAN, SIN

Bldv.Emiliano Zapata 5400-1 Poniente
Col. San Rafael (667) 717 89 99

GUADALAJARA, JAL

Av. La Paz #1779 - Col. Americana Sector Juárez (33) 3825 6978

MEXICO, D.F.

Eje Central Lázaro Cárdenas No. 18
Local D, Col. Obrera (55) 5588 9377

MERIDA, YUC

Calle 63 #459-A - Col. Centro (999) 928 5038

MONTERREY, N.L.

Av. Francisco I. Madero 831 Poniente - Col. Centro (818) 375 23 13

PUEBLA, PUE

17 Norte #205 - Col. Centro (222) 246 3714

QUERETARO, QRO

Av. San Roque 274 - Col. San Gregorio (442) 2 17 63 14

SAN LUIS POTOSI, SLP

Av. Universidad 1525 - Col. San Luis (444) 814 2383

TORREON, COAH

Bldv. Independencia, 96 Pte. - Col. Centro (871) 716 5265

VERACRUZ, VER

Prolongación Díaz Mirón #4280 - Col. Remes (229) 921 7016

VILLAHERMOSA, TAB

Constitución 516-A - Col. Centro (993) 312 5111

PARA OTRAS LOCALIDADES:

Si se encuentra en México, por favor llame al (55) 5326 7100

Si se encuentra en U.S., por favor llame al

1-800-433-9258 (1-800 4-DeWALT)

Póliza de Garantía

IDENTIFICACIÓN DEL PRODUCTO:

Sello o firma del Distribuidor.

Nombre del producto: _____ Mod./Cat.: _____

Marca: _____ Núm. de serie: _____

(Datos para ser llenados por el distribuidor)

Fecha de compra y/o entrega del producto: _____

Nombre y domicilio del distribuidor donde se adquirió el producto: _____

Este producto está garantizado por un año a partir de la fecha de entrega, contra cualquier defecto en su funcionamiento, así como en materiales y mano de obra empleados para su fabricación. Nuestra garantía incluye la reparación o reposición del producto y/o componentes sin cargo alguno para el cliente, incluyendo mano de obra, así como los gastos de transportación razonablemente erogados derivados del cumplimiento de este certificado.

Para hacer efectiva esta garantía deberá presentar su herramienta y esta póliza sellada por el establecimiento comercial donde se adquirió el producto, de no contar con ésta, bastará la factura de compra.

EXCEPCIONES

Esta garantía no será válida en los siguientes casos:

- Cuando el producto se hubiese utilizado en condiciones distintas a las normales;
- Cuando el producto no hubiese sido operado de acuerdo con el instructivo de uso que se acompaña;
- Cuando el producto hubiese sido alterado o reparado por personas distintas a las enlistadas al final de este certificado.

Anexo encontrará una relación de sucursales de servicio de fábrica, centros de servicio autorizados y franquiciados en la República Mexicana, donde podrá hacer efectiva su garantía y adquirir partes, refacciones y accesorios originales.

Registro en línea

Gracias por su compra. Registre su producto ahora para:

- **SERVICIO EN GARANTÍA:** Si completa esta tarjeta, podrá obtener un servicio en garantía más eficiente, en caso de que exista un problema con su producto.
- **CONFIRMACIÓN DE PROPIEDAD:** En caso de una pérdida que cubra el seguro, como un incendio, una inundación o un robo, el registro de propiedad servirá como comprobante de compra.
- **PARA SU SEGURIDAD:** Si registra el producto, podremos comunicarnos con usted en el caso improbable que se deba enviar una notificación de seguridad conforme a la Federal Consumer Safety Act (Ley Federal de Seguridad de Productos para el Consumidor).

Registro en línea en www.dewalt.com/register.

Garantía limitada por tres años

DeWALT reparará, sin cargo, cualquier falla que surja de defectos en el material o la fabricación del producto, por hasta tres años a contar de la fecha de compra. Esta garantía no cubre fallas de las piezas causadas por su desgaste normal o abuso a la herramienta. Para mayores detalles sobre la cobertura de la garantía e información acerca de reparaciones realizadas bajo garantía, visítenos en www.dewalt.com o dirígase al centro de servicio más cercano. Esta garantía no aplica a accesorios o a daños causados por reparaciones realizadas o intentadas por terceros. Esta garantía le otorga derechos legales específicos, además de los cuales puede tener otros dependiendo del estado o la provincia en que se encuentre.

Además de la garantía, las herramientas DeWALT están cubiertas por:

1 AÑO DE SERVICIO GRATUITO

DeWALT mantendrá la herramienta y reemplazará las piezas gastadas por su uso normal, sin cobro, en cualquier momento durante un año a contar de la fecha de compra. Los artículos gastados por la clavadora, tales como la unidad de hoja y retorno del impulsador, no están cubiertas.

GARANTÍA DE REEMBOLSO DE SU DINERO POR 90 DÍAS

Si no está completamente satisfecho con el desempeño de su máquina herramienta, láser o clavadora DeWALT, cualquiera sea el motivo, podrá devolverlo hasta 90 días de la fecha

de compra con su recibo y obtener el reembolso completo de su dinero – sin necesidad de responder a ninguna pregunta.

AMÉRICA LATINA: Esta garantía no se aplica a los productos que se venden en América Latina. Para los productos que se venden en América Latina, debe consultar la información de la garantía específica del país que viene en el empaque, llamar a la compañía local o visitar el sitio Web a fin de obtener esa información.

REEMPLAZO GRATUITO DE LAS ETIQUETAS DE ADVERTENCIAS: Si sus etiquetas de advertencia se vuelven ilegibles o faltan, llame al 1-800-4-DeWALT (1-800-433-9258) para que se le reemplacen gratuitamente.



SOLAMENTE PARA PROPÓSITO DE MÉXICO:
IMPORTADO POR: DEWALT INDUSTRIAL TOOL CO. S.A. DE C.V.
AVENIDA ANTONIO DOVALI JAIME, # 70 TORRE B PISO 9
COLONIA LA FE, SANTA FÉ
CÓDIGO POSTAL : 01210
DELEGACIÓN ALVARO OBREGÓN
MÉXICO D.F.
TEL. (52) 555-326-7100
R.F.C.: BDE810626-1W7

Para servicio y ventas consulte
"HERRAMIENTAS ELÉCTRICAS"
en la sección amarilla.



ESPECIFICACIONES

DW328

Tensión de alimentación: 120 V AC (~)
Consumo de corriente: 6 A
Frecuencia de alimentación: 60 Hz
Potencia nominal: 580 W
Rotación sin carga: 100-265 sfpm