

INSTRUCTION MANUAL
GUIDE D'UTILISATION
MANUAL DE INSTRUCCIONES

INSTRUCTIVO DE OPERACIÓN, CENTROS DE SERVICIO Y
POLIZA DE GARANTÍA. ADVERTENCIA: LEÁSE ESTE INSTRUCC-
TIVO ANTES DE USAR EL PRODUCTO.

DEWALT®

DW313, DW318, DW318G, DW318-220

Variable Speed Orbital Jig Saws

Scies sauteuses excentriques à régulateur de vitesse
Sierras caladoras con velocidad variable orbital

DeWALT Industrial Tool Co., 701 East Joppa Road, Baltimore, MD 21286
(XXX-XX) Form No.384014-01 DW313 Copyright © 2003

The following are trademarks for one or more DeWALT power tools: the yellow and black color scheme; the "D" shaped air intake grill; the array of pyramids on the handgrip; the kit box configuration; and the array of lozenge-shaped humps on the surface of the tool.

IF YOU HAVE ANY QUESTIONS OR COMMENTS ABOUT THIS OR ANY DEWALT TOOL,
CALL US TOLL FREE AT:
1-800-4-DeWALT (1-800-433-9258)

Important Safety Instructions

⚠ WARNING: When using electric tools, basic safety precautions should always be followed to reduce risk of fire, electric shock, and personal injury, including the following:

READ ALL INSTRUCTIONS

Double Insulation (DW313, DW318, DW318-220)

Double insulated tools are constructed throughout with two separate layers of electrical insulation or one double thickness of insulation between you and the tool's electrical system.

Tools built with this insulation system are not intended to be grounded. As a result, your tool is equipped with a two prong plug which permits you to use extension cords without concern for maintaining a ground connection.

NOTE: Double insulation does not take the place of normal safety precautions when operating this tool. The insulation system is for added protection against injury resulting from a possible electrical insulation failure within the tool.

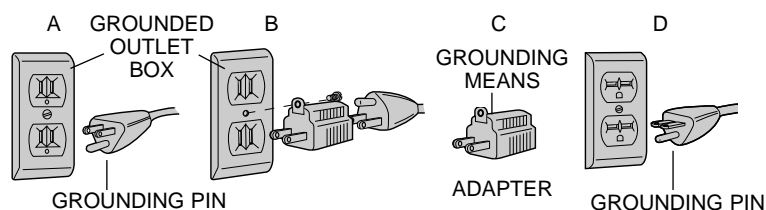
⚠ CAUTION: When servicing all tools, USE IDENTICAL REPLACEMENT PARTS. Repair or replace damaged cords.

Polarized Plugs (DW313, DW318)

Polarized plugs (one blade is wider than the other) are used on equipment to reduce the risk of electric shock. When provided, this plug will fit in the polarized outlet only one way. If the plug does not fit fully in the outlet, reverse the plug. If it still does not fit, contact a qualified electrician to install the proper outlet. Do not change the plug in any way.

Grounding Instructions (DW318G)

This tool should be grounded while in use to protect the operator from electric shock. The tool is equipped with a 3-conductor cord and 3-prong grounding type plug to fit the proper grounding type receptacle. The green (or green and yellow) conductor in the cord is the grounding wire. Never connect the green (or green and yellow) wire to a live terminal. If your unit is intended for use on less than 150 V, it has a plug that looks like that shown in sketch A. If it is for use on 150 to 250 V, it has a plug that looks like that shown in sketch D. An adapter, sketches B and C, is available for connecting sketch A type plugs to 2-prong receptacles. The green-colored rigid ear, lug, or the like, extending from the adapter must be connected to a permanent ground, such as a properly grounded outlet box. No adapter is available for a plug as shown in sketch D. ADAPTER SHOWN IN FIGURES B and C IS NOT FOR USE IN CANADA.



Safety Instructions For All Tools

- **KEEP WORK AREA CLEAN.** Cluttered areas and benches invite injuries.
- **CONSIDER WORK AREA ENVIRONMENT.** Don't expose power tools to rain. Don't use power tools in damp or wet locations. Keep work area well lit. Do not use tool in presence of flammable liquids or gases.
- **GUARD AGAINST ELECTRIC SHOCK.** Prevent body contact with grounded surfaces. For example; pipes, radiators, ranges, and refrigerator enclosures.
- **KEEP CHILDREN AWAY.** Do not let visitors contact tool or extension cord. All visitors should be kept away from work area.
- **STORE IDLE TOOLS.** When not in use, tools should be stored in dry, and high or locked-

- up place — out of reach of children.
- **DON'T FORCE TOOL.** It will do the job better and safer at the rate for which it was intended.
- **USE RIGHT TOOL.** Don't force small tool or attachment to do the job of a heavy-duty tool. Don't use tool for purpose not intended.
- **DRESS PROPERLY.** Do not wear loose clothing or jewelry. They can be caught in moving parts. Rubber gloves and non-skid footwear are recommended when working outdoors. Wear protective hair covering to contain long hair. Air vents often cover moving parts and should also be avoided.
- **USE SAFETY GLASSES.** Also use face or dust mask if cutting operation is dusty.
- **DON'T ABUSE CORD.** Never carry tool by cord or yank it to disconnect from receptacle. Keep cord from heat, oil, and sharp edges.
- **SECURE WORK.** Use clamps or a vise to hold work. It's safer than using your hand and it frees both hands to operate tool.
- **DON'T OVERREACH.** Keep proper footing and balance at all times.
- **MAINTAIN TOOLS WITH CARE.** Keep tools sharp and clean for better and safer performance. Follow instructions for lubricating and changing accessories. Inspect tool cords periodically and if damaged, have repaired by authorized service facility. Inspect extension cords periodically and replace if damaged. Keep handles dry, clean, and free from oil and grease.
- **DISCONNECT OR LOCK OFF TOOLS** when not in use, before servicing, and when changing accessories, such as blades, bits, cutters.
- **REMOVE ADJUSTING KEYS AND WRENCHES.** Form habit of checking to see that keys and adjusting wrenches are removed from tool before turning it on.
- **AVOID UNINTENTIONAL STARTING.** Don't carry tool with finger on switch. Be sure switch is off when plugging in.
- **EXTENSION CORDS.** Use only 3-wire extension cords that have 3-prong grounding-type plugs and 3-pole receptacles that accept the tool's plug. Replace or repair damaged cords. Make sure your extension cord is in good condition. When using an extension cord, be sure to use one heavy enough to carry the current your product will draw. An undersized cord will cause a drop in line voltage resulting in loss of power and overheating. The following table shows the correct size to use depending on cord length and nameplate ampere rating. If in doubt, use the next heavier gage. The smaller the gage number, the heavier the cord.

Volts	Minimum Gage for Cord Sets			
	Total Length of Cord in Feet			
120V	0-25	26-50	51-100	101-150
240V	0-50	51-100	101-200	201-300
Ampere Rating	AWG			
More Than	Not more Than			
0	6	18	16	16
			16	14

- **OUTDOOR USE EXTENSION CORDS.** When tool is used outdoors, use only extension cords intended for use outdoors and so marked.
- **STAY ALERT.** Watch what you are doing. Use common sense. Do not operate tool when you are tired.
- **CHECK DAMAGED PARTS.** Before further use of the tool, a guard or other part that is damaged should be carefully checked to determine that it will operate properly and perform its intended function. Check for alignment of moving parts, binding of moving parts, breakage of parts, mounting, and any other conditions that may affect its operation. A guard or other part that is damaged should be properly repaired or replaced by an authorized service center unless otherwise indicated elsewhere in this instruction manual. Have defective switches replaced by authorized service center. Do not use tool if switch does not turn it on and off.

Additional Safety Instructions for Jig Saws

- **⚠ CAUTION:** When cutting into walls, floors or wherever live electrical wires may be encountered, DO NOT TOUCH ANY METAL PARTS OF THE TOOL! Hold the tool only by insulated grasping surfaces to prevent electric shock if you cut into a live wire.
- **KEEP HANDS AWAY** from cutting area. Never reach underneath the material for any reason.
- **KEEP BLADES SHARP.** Dull blades may cause the saw to swerve or stall under pressure.
- **⚠ CAUTION:** Wear appropriate hearing protection during use. Under some conditions and duration of use, noise from this product may contribute to hearing loss.
- **⚠ WARNING:** Some dust created by power sanding, sawing, grinding, drilling, and other construction activities contains chemicals known to cause cancer, birth defects or other reproductive harm. Some examples of these chemicals are:

- lead from lead-based paints,
- crystalline silica from bricks and cement and other masonry products, and
- arsenic and chromium from chemically-treated lumber (CCA).

Your risk from these exposures varies, depending on how often you do this type of work. To reduce your exposure to these chemicals: work in a well ventilated area, and work with approved safety equipment, such as those dust masks that are specially designed to filter out microscopic particles.

- Avoid prolonged contact with dust from power sanding, sawing, grinding, drilling, and other construction activities. Wear protective clothing and wash exposed areas with soap and water. Allowing dust to get into your mouth, eyes, or lay on the skin may promote absorption of harmful chemicals.

SAVE THESE INSTRUCTIONS

Motor

Your DeWALT tool is powered by a DeWALT-built motor. Be sure your power supply agrees with the nameplate marking.

Volts 50/60 Hz or "AC only" means your tool must be operated only with alternating current and never with direct current.

Voltage decrease of more than 10% will cause loss of power and overheating. All DeWALT tools are factory tested; if this tool does not operate, check the power supply.

Variable Speed Switch (Fig. 1)

This switch has a button "A", mounted in the trigger, which can be rotated to vary the blade strokes-per-minute (S.P.M.).

- For "Free Hand" speed control (the further the trigger is depressed, the higher the S.P.M.), rotate the button in the "HI" direction (clockwise) until it stops.
- To set the trigger switch to produce a selected speed each time the trigger is squeezed, first rotate the button toward "HI" until it stops. Then fully depress the trigger, press in the locking button "B", and release the trigger. The tool will stay "ON". Now, rotate the button "A" toward "LO" and you will notice a decrease in speed. Continue rotating the button until desired speed is obtained. Pull trigger and release to turn the tool "OFF". At this setting the saw will run at the selected speed each time the trigger is pulled and the trigger may be locked "ON" at the selected speed.

Straight Line or Orbital Cutting Action (DW318, DW318G, DW318-220)

For cutting softer materials your saw features orbital cutting action. Soft materials, like wood and plastic, permit deep penetration of individual saw teeth. The orbital action thrusts the blade forward on the cutting stroke and greatly increases cutting speed over conventional jig saws. Harder materials like metal should be cut using the straight line cutting action or a very low orbital setting. To select straight line or orbital cutting adjust the lever on the saw as shown in Figure 2.

Bevel Cutting Adjustment

Bevel cuts may be made at any angle between 0° and 45°. The shoe is adjusted by loosening the screw on the bottom of the tool (Fig. 3) and rotating the shoe to the desired angle. After setting the shoe, tighten the screw firmly and use saw in the normal manner.

NOTE: One hand on the saw body and the other on the edge of the saw shoe, well back from the blade, may be necessary to maintain accurate cutting.

Adjustment For 90° Cuts

1. Disconnect plug from power supply.
2. Place a right angle against the blade and the shoe and adjust the shoe to 90°.
3. The 0° mark on the quadrant plate should line up with mark on shoe. If adjustment is necessary, loosen screw on quadrant plate and adjust as necessary.

Attaching Blades (Fig. 4)

Cycle the tool on and off as necessary to make the blade clamp stop in a position where you can reach the blade clamping screw. **NEVER REMOVE THE BLADE CLAMP GUIDE.**

Disconnect tool from extension cord or wall receptacle. Loosen screw at side of blade clamp. Insert blade in blade clamp as far as it will go (about 13 mm). Make sure the back edge of the blade fits into the support roller as shown in Fig. 4 and tighten the screw against the blade.

Anti-Splintering Shoe (Fig. 5)

This jig saw has a special double-ended shoe with a wide opening at one end for general cutting and bevel cutting and a very narrow slot at the other end for use only with hollow ground blades. This narrow slot acts as an anti-splintering device particularly useful when cutting plywood.

NOTE: Use only hollow ground blades in the slotted end of the shoe. Use of any other blades will damage the shoe. The anti-splintering feature should be used only when making straight cuts or circle cuts with a rip fence & circle guide, not for bevel cutting, pocket cutting or metal cutting.

Reversing Shoe Position (UNPLUG TOOL)

To reverse the shoe position remove the screw from the bottom of the tool, as shown in Figure 5, and remove the shoe from the jig saw. (Be careful to note the position of the clamp. This clamp must be re-installed the same way or the shoe will not fit properly.) Turn the shoe around and re-install noting carefully that, when the slot is forward, the screw goes through the hole in the shoe and when the wide opening is forward, the screw passes through the slot in the shoe.

NOTE: Study Figure 5 before attempting to reverse shoe.

Pocket Cutting (Figs. 6 & 7)

A pocket cut is an easy method of making an inside cut. The saw can be inserted directly into a panel or board without first drilling a lead or pilot hole. In pocket cutting measure the surface to be cut and mark clearly with a pencil. Next tip the saw forward until the front end of the shoe sits firmly on the work surface. Switch the tool on and allow it to attain maximum speed. Grip the saw firmly and lower the back edge of tool slowly until the blade reaches its complete depth. Hold the shoe flat against the wood and begin cutting. Do not remove blade from cut while it is still moving. Blade must come to a complete stop.

Wood Cutting (Fig. 8)

Be sure board is firmly positioned. Don't attempt to turn on when blade is against material to be cut. This could stall the motor. Place front of shoe on material to be cut and hold jig saw shoe firmly against the wood while cutting. Don't force the tool; let the blade cut at its own speed. Whenever possible, clamp or support work close to the line of cut; when the cut is completed, shut off power, let blade come to a complete stop and then lay the saw aside before loosening the work. Use the higher speed setting for cutting wood.

Rip & Circle Cutting (Fig. 9)

Ripping and circle cutting without a pencil line are easily done with an accessory rip fence and circle guide (available at small extra cost). When using the rip fence and circle guide, the shoe must be in the anti-splintering position. When ripping: insert rip fence in either side of saw with cross bar facing down; adjust to width of cut and tighten screw. When circle cutting: Insert rip fence from either side with cross bar facing up; adjust rip fence so that distance from blade to hole in cross bar is the desired radius and tighten screw; place saw so that center of hole in cross bar is over center of circle to be cut (make pocket cut, drill hole for blade or cut inward from edge of material to get blade into position). When saw is properly positioned, drive a small nail through hole in cross bar into exact center of circle to be cut. Using rip fence as a pivot arm, begin cutting circle.

Metal Cutting (Fig. 10)

In cutting thin gauge sheet metals, it is best to clamp wood or plywood to the bottom of sheet metal; this will insure a clean cut without the danger of vibration or tearing of metal. Always remember to use a finer blade for ferrous metals (for those that have a high iron content); and use a coarser blade for non-ferrous metals (those that do not have an iron content). Use a high speed setting for cutting soft metals (aluminium, copper, brass, mild steel, galv. pipe, conduit sheet metal, etc.). Use lower speed to cut plastics, tile, formica, hard metals, cast iron.

Lubrication

It is recommended that, at least once a year, you take or send the tool to an authorized service center for a thorough cleaning, inspection and lubrication of the gear case.

Accessories

Recommended accessories for use with your tool are available at extra cost from your distributor or authorized service center.

▲ CAUTION: The use of any non-recommended accessory may be hazardous. If you need any assistance in locating any accessory, please contact DeWALT Industrial Tool Co., 701 East Joppa Road, Baltimore, MD 21286 or call 1-800-4-DEWALT (1-800-433-9258).

Important

To assure product SAFETY and RELIABILITY, repairs, maintenance and adjustment (including brush inspection and replacement) should be performed by authorized service centers or other qualified service organizations, always using identical replacement parts.

Full Warranty

DeWALT heavy duty industrial tools are warranted for one year from date of purchase. We will repair, without charge, any defects due to faulty materials or workmanship. For warranty repair information, call 1-800-4-DEWALT. This warranty does not apply to accessories or damage caused where repairs have been made or attempted by others. This warranty gives you specific legal rights and you may have other rights which vary in certain states or provinces.

In addition to the warranty, DeWALT tools are covered by our:

30 DAY NO RISK SATISFACTION GUARANTEE

If you are not completely satisfied with the performance of your DeWALT heavy duty industrial tool, simply return it to the participating seller within 30 days for a full refund. Please return the complete unit, transportation prepaid. Proof of purchase may be required.

FREE WARNING LABEL REPLACEMENT: If your warning labels become illegible or are missing, call 1-800-4-DEWALT for a free replacement.

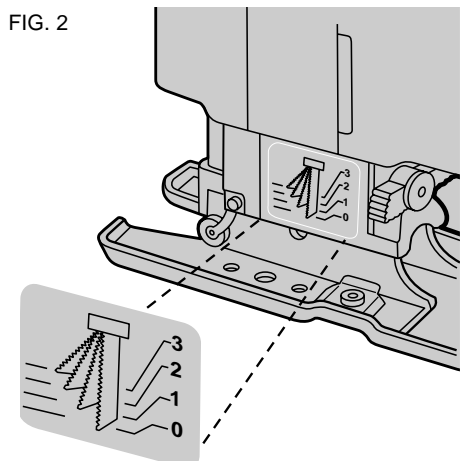
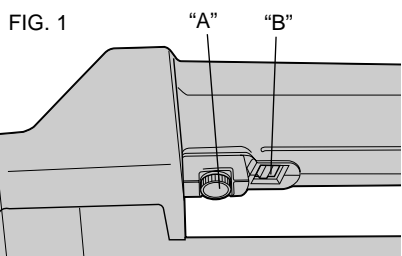


FIG. 3

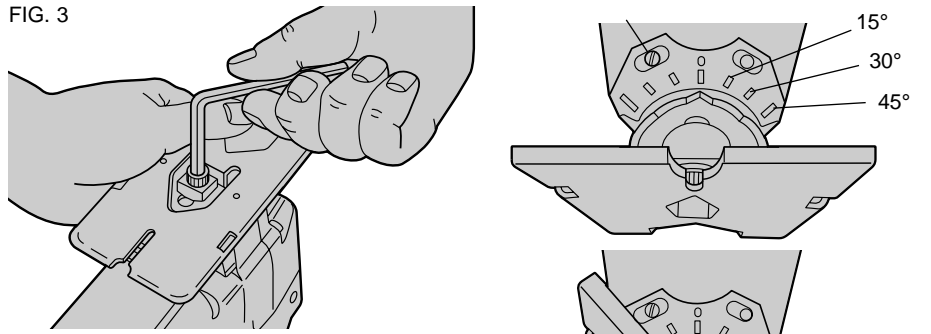


FIG. 4

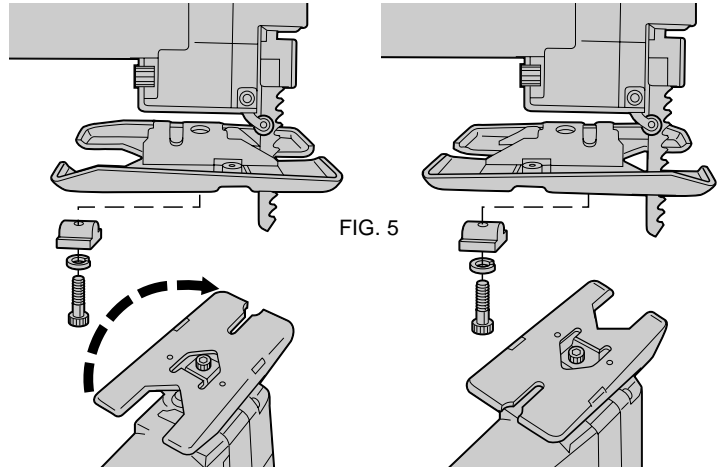
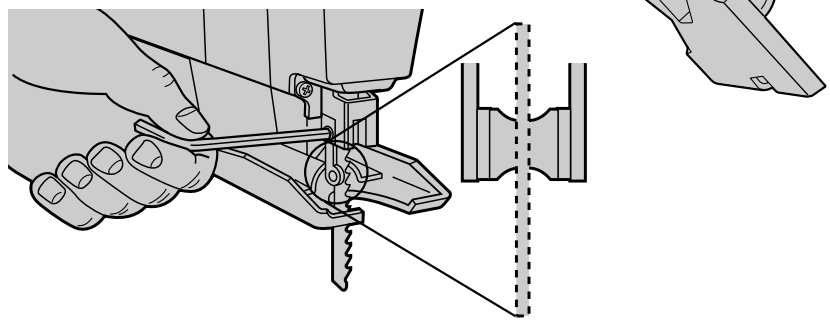


FIG. 5

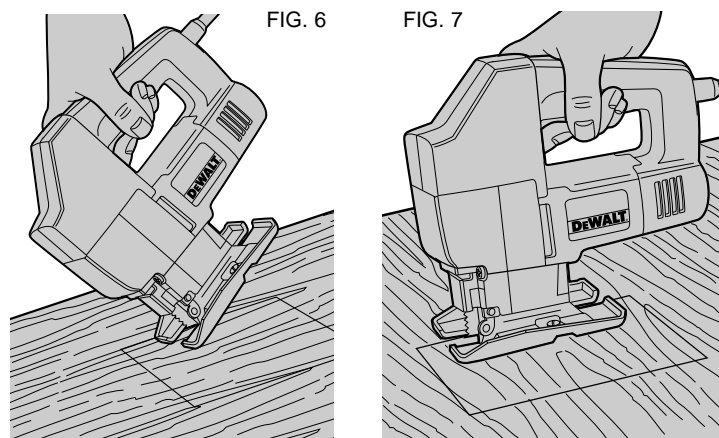


FIG. 6

FIG. 7

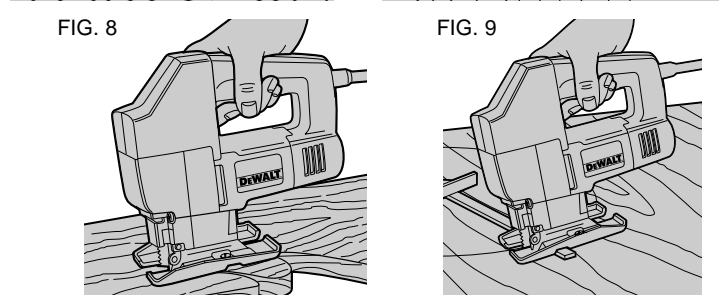


FIG. 8

FIG. 9

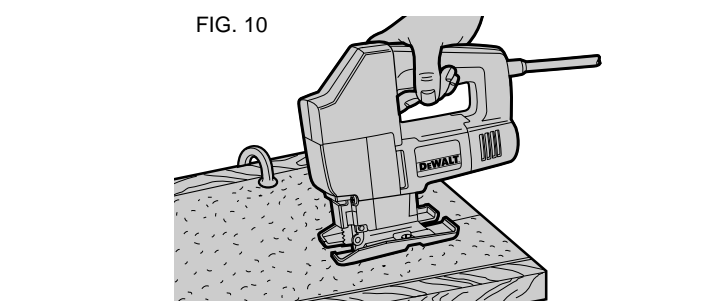


FIG. 10

RÈGLES DE SÉCURITÉ GÉNÉRALES

AVERTISSEMENT! Vous devez lire et comprendre toutes les instructions. Le non-respect, même partiel, des instructions ci-après entraîne un risque de choc électrique, d'incendie et/ou de blessures graves.

CONSERVEZ CES INSTRUCTIONS.

Double isolation (Modèles DW313, DW318, DW318-220)

Les outils à double isolation comportent deux couches distinctes d'isolant électrique ou une double épaisseur d'isolant qui protègent l'utilisateur contre les risques de blessures provenant du système électrique de l'outil. Ce système de double isolation élimine le besoin de mettre les outils à la terre. En effet, l'outil est muni d'une fiche à deux broches, ce qui permet d'utiliser une rallonge ordinaire sans avoir à se soucier d'assurer la mise à la terre.

NOTE : La double isolation ne dispense pas des mesures de sécurité normales lors de l'utilisation de l'outil. Elle vise à procurer une protection supplémentaire contre les blessures que peut entraîner une défectuosité de l'isolant électrique à l'intérieur de l'outil.

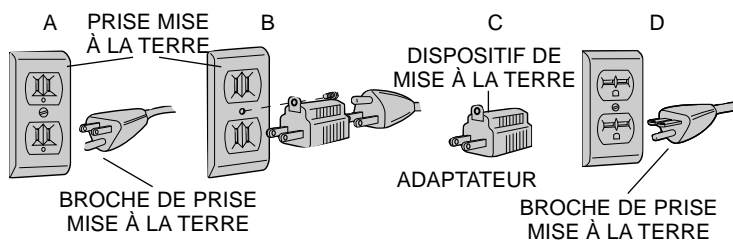
▲ MISE EN GARDE : LORS DE L'ENTRETIEN, N'UTILISER QUE DES PIÈCES DE RECHANGE IDENTIQUES. Réparer ou remplacer les cordons endommagés.

Fiche polarisée (Modèles DW313, DW318)

Afin de réduire les risques de secousses électriques, l'outil est muni d'une fiche polarisée (une lame plus large que l'autre). Ce genre de fiche n'entre que d'une façon dans une prise polarisée. Lorsqu'on ne peut insérer la fiche à fond dans la prise, il faut tenter de le faire après avoir inversé les lames de côté. Si la fiche n'entre toujours pas dans la prise, il faut communiquer avec un électricien certifié afin qu'il installe une prise appropriée. Il ne faut en aucun cas modifier la fiche.

Aire de travail

- **Veillez à ce que l'aire de travail soit propre et bien éclairée.** Le désordre et le manque de lumière favorisent les accidents.
- **N'utilisez pas d'outils électriques dans une atmosphère explosive, par exemple en présence de liquides, de gaz ou de poussières inflammables.** Les outils électriques créent des étincelles qui pourraient enflammer les poussières ou les vapeurs.



- **Tenez à distance les curieux, les enfants et les visiteurs pendant que vous travaillez avec un outil électrique.** Ils pourraient vous distraire et vous faire faire une fausse manœuvre.

Sécurité électrique

- **Les outils mis à la terre doivent être branchés dans une prise de courant correctement installée et mise à la terre conformément à tous les codes et règlements pertinents. Ne modifiez jamais la fiche de quelque façon que ce soit, par exemple en enlevant la broche de mise à la terre. N'utilisez pas d'adaptateur de fiche. Si vous n'êtes pas certain que la prise de courant est correctement mise à la terre, adressez-vous à un électricien qualifié.** En cas de défaillance ou de défectuosité électrique de l'outil, une mise à la terre offre un trajet de faible résistance à l'électricité qui autrement risquerait de traverser l'utilisateur. Les modèles DW318G sont mis à la terre.
- **Les outils à double isolation sont équipés d'une fiche polarisée (une des lames est plus large que l'autre), qui ne peut se brancher que d'une seule façon dans une prise polarisée. Ne modifiez pas la fiche de l'outil.** La double isolation élimine le besoin d'un cordon d'alimentation à trois fils avec mise à la terre ainsi que d'une prise de courant mise à la terre. Les modèles DW318 comportent une fiche polarisée. Les modèles DW318G comportent une double isolation.
- **Évitez tout contact corporel avec des surfaces mises à la terre (tuyauterie, radiateurs, cuisinières, réfrigérateurs, etc.).** Le risque de choc électrique est plus grand si votre corps est en contact avec la terre.
- **N'exposez pas les outils électriques à la pluie ou à l'eau.** La présence d'eau dans un outil électrique augmente le risque de choc électrique.
- **Ne maltraitez pas le cordon. Ne transportez pas l'outil par son cordon et ne débranchez pas la fiche en tirant sur le cordon. N'exposez pas le cordon à la chaleur, à des huiles, à des arêtes vives ou à des pièces en mouvement. Remplacez immédiatement un cordon endommagé.** Un cordon endommagé augmente le risque de choc électrique.

Calibre minimal des cordons de rallonge

Tension	Longueur totale du cordon en pieds			
120 V	0-25	26-50	51-100	101-150
240 V	0-50	51-100	101-200	201-300

Intensité (A)		Calibre moyen de fil (AWG)			
Au moins	Au plus				
0	6	18	16	16	14
6	10	18	16	14	12
10	12	16	16	14	12
12	16	14	12	Non recommandé	

- **Lorsque vous utilisez un outil électrique à l'extérieur, employez un prolongateur pour l'extérieur marqué «W-A» ou «W».** Ces cordons sont faits pour être utilisés à l'extérieur et réduisent le risque de choc électrique. S'assurer que le cordon de rallonge est en bon état. Lorsqu'on se sert d'un cordon de rallonge, s'assurer qu'il est de calibre approprié pour la tension nécessaire au fonctionnement de l'outil. L'utilisation d'un cordon de calibre inférieur occasionne une baisse de tension entraînant une perte de puissance et la surchauffe. Le tableau suivant indique le calibre approprié selon la longueur du cordon et les mentions de la plaque signalétique de l'outil. En cas de doute, utiliser un cordon de calibre supérieur. Le chiffre indiquant le calibre est inversement proportionnel au calibre du cordon.

Sécurité des personnes

- **Restez alerte, concentrez-vous sur votre travail et faites preuve de jugement. N'utilisez pas un outil électrique si vous êtes fatigué ou sous l'influence de drogues, d'alcool ou de médicaments.** Un instant d'inattention suffit pour entraîner des blessures graves.
- **Habilitez-vous convenablement. Ne portez ni vêtements flottants ni bijoux. Confinez les cheveux longs. N'approchez jamais les cheveux, les vêtements ou les gants des pièces en mouvement.** Des vêtements flottants, des bijoux ou des cheveux longs risquent d'être happés par des pièces en mouvement. Se tenir éloigné des événements puisque ces derniers pourraient camoufler des pièces mobiles.
- **Méfiez-vous d'un démarrage accidentel. Avant de brancher l'outil, assurez-vous que son interrupteur est sur ARRÊT.** Le fait de transporter un outil avec le doigt sur la détente ou de brancher un outil dont l'interrupteur est en position MARCHE peut mener tout droit à un accident.
- **Enlevez les clés de réglage ou de serrage avant de démarrer l'outil.** Une clé laissée dans un pièce tournante de l'outil peut provoquer des blessures.
- **Ne vous penchez pas trop en avant. Maintenez un bon appui et restez en équilibre en tout temps.** Une bonne stabilité vous permet de mieux réagir à une situation inattendue.
- **Utilisez des accessoires de sécurité. Portez toujours des lunettes ou une visière.** Selon les conditions, portez aussi un masque anti-poussière, des bottes de sécurité antidérapantes, un casque protecteur et/ou un appareil antibruit.

Utilisation et entretien des outils

- **Immobilisez le matériau sur une surface stable au moyen de brides ou de toute autre façon adéquate.** Le fait de tenir la pièce avec la main ou contre votre corps offre une stabilité insuffisante et peut amener un dérapage de l'outil.
- **Ne forcez pas l'outil. Utilisez l'outil approprié à la tâche.** L'outil correct fonctionne mieux et de façon plus sécuritaire. Respectez aussi la vitesse de travail qui lui est propre.
- **N'utilisez pas un outil si son interrupteur est bloqué.** Un outil que vous ne pouvez pas commander par son interrupteur est dangereux et doit être réparé.
- **Débranchez la fiche de l'outil avant d'effectuer un réglage, de changer d'accessoire ou de ranger l'outil.** De telles mesures préventives de sécurité réduisent le risque de démarrage accidentel de l'outil.
- **Rangez les outils hors de la portée des enfants et d'autres personnes inexpérimentées.** Les outils sont dangereux dans les mains d'utilisateurs novices.
- **Prenez soin de bien entretenir les outils. Les outils de coupe doivent être toujours bien affûtés et propres.** Des outils bien entretenus, dont les arêtes sont bien tranchantes, sont moins susceptibles de coincer et plus faciles à diriger.
- **Soyez attentif à tout désalignement ou coincement des pièces en mouvement, à tout bris ou à toute autre condition préjudiciable au bon fonctionnement de l'outil. Si vous constatez qu'un outil est endommagé, faites-le réparer avant de vous en servir.** De nombreux accidents sont causés par des outils en mauvais état.
- **N'utilisez que des accessoires que le fabricant recommande pour votre modèle d'outil.** Certains accessoires peuvent convenir à un outil, mais être dangereux avec autre.

Réparation

- **La réparation des outils électriques doit être confiée à un réparateur qualifié.** L'entretien ou la réparation d'un outil électrique par un amateur peut avoir des conséquences graves.
- **Pour la réparation d'un outil, n'employez que des pièces de rechange d'origine. Suivez les directives données à la section «Réparation» de ce manuel.** L'emploi de pièces non autorisées ou le non-respect des instructions d'entretien peut créer un risque de choc électrique ou de blessures.
- **Tenez l'outil par ses surfaces de prise isolées pendant toute opération où l'outil de coupe pourrait venir en contact avec un câblage dissimulé ou avec son propre cordon.** En cas de contact avec un conducteur sous tension, les pièces métalliques à découvert de l'outil transmettraient un choc électrique à l'utilisateur.

▲ **MISE EN GARDE** : porter un dispositif de protection personnel anti-bruit approprié durant l'utilisation. Sous certaines conditions et pendant toute la durée de l'utilisation, le bruit émanant de ce produit pourrait contribuer à la perte d'audition.

▲ **AVERTISSEMENT** : Certains outils, tels que les sableuses électriques, les scies, les meules, les perceuses ou certains autres outils de construction, peuvent soulever de la poussière contenant des produits chimiques susceptibles d'entraîner le cancer, des malformations congénitales ou pouvant être nocifs pour le système reproductif. Parmi ces produits chimiques, on retrouve :

• le plomb dans les peintures à base de plomb;

- la silice cristalline dans les briques et le ciment et autres produits de maçonnerie;
- l'arsenic et le chrome dans le bois de sciage ayant subi un traitement chimique (CCA).

Le risque associé à de telles expositions peut varier selon la fréquence avec laquelle on effectue ces travaux. Pour réduire l'exposition à de tels produits, il faut travailler dans un endroit bien ventilé et utiliser l'équipement de sécurité approprié tel un masque anti-poussières spécialement conçu pour filtrer les particules microscopiques.

- Éviter tout contact prolongé avec la poussière soulevée par cet outil ou autres outils électriques. Porter des vêtements de protection et nettoyer les parties exposées du corps avec de l'eau savonneuse. S'assurer de bien se protéger afin d'éviter d'absorber par la bouche, les yeux ou la peau des produits chimiques nocifs.

CONSERVEZ CES INSTRUCTIONS

Moteur

Un moteur DEWALT actionne l'outil DEWALT Veiller à ce que la tension d'alimentation soit conforme aux exigences de la plaque signalétique de l'outil.

La mention «volts, 50/60 Hz» ou «c.a. seulement» signifie que l'outil fonctionne uniquement sur une alimentation en courant alternatif, et jamais en courant continu.

Une baisse de tension de plus de 10 p. 100 entraîne une perte de puissance et la surchauffe. Tous les outils DEWALT sont essayés avant de quitter l'usine. Lorsque celui-ci refuse de fonctionner, vérifier la source de courant électrique.

Interrupteur à régulateur de vitesse (Fig. 1)

L'interrupteur comporte un bouton «A», installé sur la détente. On peut le faire tourner afin de modifier le régime de la lame (courses/min).

- Pour assurer le fonctionnement «mains libres» du régulateur de vitesse (plus on enfonce l'interrupteur, plus le nombre de courses à la minute augmente), il suffit de faire tourner le bouton «A» au maximum dans le sens horaire (vers la mention «HI»).
- Pour régler l'interrupteur à une vitesse prédéterminée, il faut d'abord faire tourner le bouton «A» vers la mention «HI» jusqu'à ce qu'il s'immobilise. Ensuite, appuyer à fond sur l'interrupteur, enfoncer le bouton de verrouillage «B» et relâcher l'interrupteur. L'outil reste en marche. On peut alors faire tourner le bouton «A» vers la mention «LO» afin de diminuer la vitesse de l'outil. Faire tourner le bouton dans les deux sens jusqu'à l'obtention de la vitesse voulue. Pour arrêter l'outil, appuyer sur l'interrupteur et le relâcher. Par la suite, chaque fois qu'on enfonce l'interrupteur, la scie fonctionne à la vitesse prédéterminée et on peut verrouiller la détente à la vitesse choisie.

Coupes droites ou excentriques (DW318, DW318G, DW318-220)

La scie comporte un mécanisme de mouvement excentrique à utiliser avec les matériaux tendres. Ceux-ci, comme le bois et le plastique, permettent à chaque dent de la lame de les pénétrer en profondeur. Le mouvement excentrique accélère le mouvement de la lame et augmente ainsi grandement la vitesse de coupe de la scie lorsqu'on la compare à des scies sauteuses traditionnelles. Il faut toutefois couper les matériaux durs, comme le métal, en ligne droite ou en choisissant un très faible mouvement excentrique. Régler le sélecteur illustré à la figure 2 afin de choisir la coupe droite ou le mouvement excentrique.

Réglage pour coupes en biseau

Le patin de la scie sauteuse s'incline pour scier en biseau à tout angle variant entre 0° et 45°. Il suffit de desserrer la vis située sous l'outil (fig. 3). Ensuite, faire pivoter le patin jusqu'à l'angle voulu. Après, bien resserrer la vis du patin et procéder à la coupe.

NOTE : Pour obtenir une coupe précise, il peut être nécessaire de saisir la scie d'une main et le rebord du patin de l'autre, mais à bonne distance de la lame.

Réglage pour coupes à 90°

- Débrancher l'outil.
- Placer une équerre contre la lame et le patin, puis régler le patin à 90°.
- Il faut aligner la marque 0° du secteur sur celle du patin. Au besoin, desserrer la vis du secteur et le régler.

Installation de la lame (Fig. 4)

Actionner et arrêter l'outil jusqu'à ce qu'on puisse atteindre la vis du serre-lame. NE JAMAIS ENLEVER LE GUIDE DU SERRE-LAME.

Débrancher l'outil de la rallonge ou de la prise. Desserrer la vis située sur le côté du serre-lame. Insérer la lame à fond (environ 13 mm) dans le serre-lame. S'assurer que l'arrière de la lame entre bien dans le rouleau porteur comme le montre la figure 4. Resserrer la vis contre la lame.

Patin antiéclatement (Fig. 5)

La scie sauteuse possède un patin réversible spécial comportant une ouverture large à une extrémité pour effectuer des coupes de nature générale et les coupes en biseau, et une fente étroite à l'autre extrémité ne pouvant recevoir que les lames à dents évidées. Cette fente étroite est particulièrement utile pour minimiser l'éclatement lorsqu'on scie du contreplaqué.

NOTE : Utiliser des lames à dents évidées seulement dans l'extrémité étroite du patin. Toute autre lame ne ferait qu'endommager le patin. On doit utiliser le patin antiéclatement seulement lorsqu'on effectue des coupes droites ou des coupes circulaires à l'aide d'un guide de refente et de coupes circulaires, mais jamais pour effectuer des coupes en biseau ou en retrait, ni pour scier le métal.

Changement de la position du patin (Débrancher l'outil.)

Pour changer la position du patin, enlever la vis au bas de l'outil, comme l'illustre la figure 5. Ensuite, enlever le patin (Remarque la position de la bride, il faut la réinstaller de la même façon, sinon le patin ne sera pas bien ajusté.) Faire tourner le patin dans l'autre sens et le réinstaller. Lorsque la fente antiéclatement se trouve à l'avant de l'outil, la vis passe dans le trou du patin. Lorsque l'ouverture plus large se trouve à l'avant, la vis passe dans la fente du patin.

NOTE : Étudier attentivement la figure 5 avant de changer la position du patin.

Coupes en retrait (Fig. 6 et 7)

Grâce à la coupe en retrait, on peut effectuer facilement une coupe au centre d'une pièce. La scie peut être directement insérée dans le panneau ou la planche sans avoir à percer au préalable un trou de guidage. Pour couper en retrait, mesurer la surface à scier et bien la tracer au crayon. Incliner ensuite la scie vers l'avant jusqu'à ce que le bord avant du patin repose fermement contre la surface de la pièce. Mettre l'outil en marche et le laisser atteindre son régime maximal. Bien saisir la scie et l'abaisser jusqu'à ce que la lame soit complètement enfoncée. Faire reposer le patin complètement contre le bois et commencer la coupe. Attendre l'immobilisation complète de la lame avant de la retirer de la pièce.

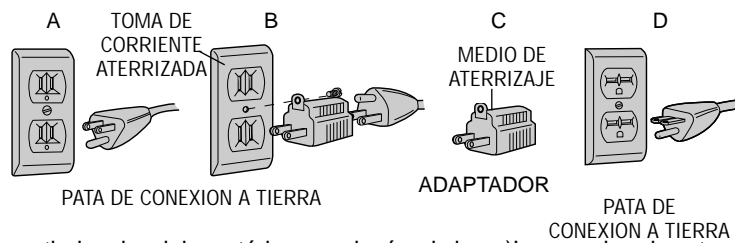
Coupes de bois (Fig. 8)

S'assurer que le matériau à scier est bien retenu. Ne jamais mettre la scie en marche lorsque la lame repose sur le matériau à découper, au risque de faire caler le moteur. Placer le devant du patin sur le matériau à scier et appuyer fermement le patin contre la surface de la pièce pendant la coupe. Ne pas forcer l'outil; laisser la lame travailler d'elle-même. Il est toujours préférable d'assujettir ou de soutenir la pièce le plus près possible de la ligne de coupe. Lorsque les travaux de coupe sont terminés, mettre l'outil hors tension, attendre l'immobilisation complète de la lame et déposer la scie avant de dégager la pièce. Scier le bois à grande vitesse.

Coupes de refente et coupes circulaires (Fig. 9)

On peut effectuer facilement des coupes de refente et des coupes circulaires sans tracer de

línea au préalable grâce au guide de refente et de coupe circulaire (vendu séparément à un prix dérisoire) Lorsqu'on utilise ce guide, il faut mettre le patin à la position antiéclatement Pour refendre, faire glisser le guide d'un côté ou de l'autre de la scie Placer la barre transversale face vers le bas à la distance voulue de la lame et resserrer la vis Dans le cas des coupes circulaires, la barre transversale doit être placée vers le haut et il faut régler le guide de sorte que la distance entre la lame et le trou de la barre transversale corresponde au rayon voulu, puis resserrer la vis Placer la scie de sorte que le trou de la barre transversale se trouve au centre du cercle à découper (effectuer une coupe en retrait, percer un trou de guidage ou commencer



à couper à partir du rebord du matériau pour insérer la lame) Lorsque la scie est au bon endroit, enfoncer un petit clou dans le trou de la barre transversale Commencer à découper le cercle en se servant du guide comme pivot.

Coupes de métaux (Fig. 10)

Pour couper la tôle mince, il vaut mieux fixer une pièce de bois ou de contreplaqué sous la tôle On effectue ainsi des coupes nettes en évitant les risques de vibration ou de déchirure du métal Ne pas oublier d'utiliser une lame délicate pour scier les métaux ferreux et une lame grossière, pour les métaux non ferreux Scier les métaux doux (comme l'aluminium, le cuivre, le laiton, l'acier doux, la tuyauterie galvanisée et la tôle de conduits) à vitesse élevée Scier le plastique, la céramique, les métaux durs et la fonte à basse vitesse.

Lubrification

Il est conseillé de porter ou d'envoyer l'outil au moins chaque année à un autorisé centre de service pour une inspection, une lubrification et un nettoyage complets du boîtier d'engrenages.

Important

Pour assurer la SÉCURITÉ D'EMPLOI et la FIABILITÉ de l'outil, n'en confier la réparation, l'entretien et les rajustements (y compris l'inspection et le remplacement des balais) qu'au personnel d'un centre de service DEWALT ou d'un atelier d'entretien autorisé n'utilisant que des pièces de rechange identiques.

Accessoires

On peut se procurer en sus les accessoires recommandés pour l'outil chez les détaillants ou aux centres de service autorisés. Pour trouver un accessoire pour l'outil, communiquer à l'adresse suivante.

DEWALT Industrial Tool Co., 701 East Joppa Road, Baltimore, MD 21286

▲ MISE EN GARDE : L'utilisation de tout autre accessoire non recommandé pour l'outil peut être dangereuse.

Garantie complète

Les outils industriels de service intensif DEWALT sont garantis pendant un an à partir de la date d'achat. Toute pièce d'un outil DEWALT qui s'avérerait défectueuse en raison d'un vice de matière ou de fabrication sera réparée ou remplacée sans frais. Pour obtenir de plus amples renseignements sur les réparations couvertes par la garantie, composer le 1 (800) 4-DEWALT (! (800) 433-9258). La garantie ne couvre pas les accessoires ni les réparations tentées ou effectuées par des tiers. Les modalités de la présente garantie donnent des droits légaux spécifiques. L'utilisateur peut également se prévaloir d'autres droits selon l'état ou la province qu'il habite.

En outre, la garantie suivante couvre les outils DEWALT.

GARANTIE DE SATISFACTION DE 30 JOURS OU ARGENT REMIS

Si, pour quelque raison que ce soit, l'outil industriel de service intensif DEWALT ne donne pas entière satisfaction, il suffit de le retourner chez le marchand participant dans les 30 jours suivant la date d'achat afin d'obtenir un remboursement complet. Il faut retourner, port payé, l'outil complet. On peut exiger une preuve d'achat.

REPLACEMENT GRATUIT DE L'ÉTIQUETTE

Si vos étiquettes d'avertissement deviennent illisibles ou sont manquantes, composez le 1-800-4-DEWALT pour obtenir une étiquette de remplacement gratuite.

Instrucciones importantes de seguridad

▲ ADVERTENCIA: Es indispensable sujetarse a las precauciones básicas de seguridad, con la finalidad de reducir el peligro de incendio, choque eléctrico y lesiones personales, en todas las ocasiones en que se utilicen herramientas eléctricas. Entre estas precauciones se incluyen las siguientes.

LEA TODAS LAS INSTRUCCIONES

Doble aislamiento (DW313, DW318, DW318-220)

Las herramientas DOBLEMENTE aisladas se han elaborado de manera integral con dos capas separadas de aislamiento eléctrico o una capa doble de aislamiento entre usted y el sistema eléctrico que contienen. Las herramientas construidas con este sistema de aislamiento no requieren conectarse a tierra. Como resultado su herramienta está equipada con una clavija de dos patas que le permite emplear cordones de extensión sin preocuparse por tener una conexión a tierra.

NOTA: El doble aislamiento no substituye a las precauciones normales de seguridad cuando se opera esta herramienta. La finalidad de este sistema de aislamiento es ofrecer a usted protección añadida contra lesiones resultantes de fallas en el aislamiento eléctrico interno de la herramienta.

▲ PRECAUCION: UTILICE SOLAMENTE REFACCIONES ORIGINALES CUANDO HAGA SERVICIO a cualquier herramienta. Repare o reemplace los cordones eléctricos dañados.

Clavijas polarizadas (DW313, DW318)

Se emplean clavijas polarizadas (con una pata más ancha que la otra) para reducir los riesgos de choque eléctrico. Cuando el cordón eléctrico cuente con este tipo de clavija, ajustará en un contacto polarizado solamente de una manera. Si la clavija no ajusta completamente en su contacto, inviértala. Si aún así no ajusta, llame a un electricista calificado para que le instale un contacto polarizado apropiado. No modifique o haga cambios en la clavija por ningún motivo.

Instrucciones de conexión a tierra (DW318G)

Esta herramienta debe aterrizar para proteger al operador de choques eléctricos. La herramienta está equipada con un conductor de 3 cables y una clavija para conexión a tierra de 3 patas para acoplarse a la toma de corriente aterrizada apropiada. El conductor verde (o verde con amarillo) es el de conexión a tierra. Nunca conecte el conductor verde (o verde con amarillo) a una terminal viva. Si su unidad está diseñada para emplearse con menos de 150 V, tendrá una clavija como la que se ilustra en la figura A. Si es para emplearse con 150 a 250 V, tendrá una clavija como la que se observa en la figura D. Existen adaptadores (figuras B y C) para conectar clavijas como la de la figura A a tomas de corriente de dos ranuras. La lengüeta verde (o similar) que se extiende del adaptador debe conectarse a tierra permanente, como un contacto aterrizado. No hay adaptadores para clavijas como la que se muestra en la figura D. EL ADAPTADOR ILUSTRADO EN LAS FIGURAS B Y C NO DEBE EMPLEARSE EN CANADA..

Instrucciones de seguridad para todas las herramientas

- **CONSERVE LIMPIA LA ZONA DE TRABAJO.** Las superficies y los bancos con objetos acumulados en desorden propician los accidentes.
- **OTORGUE PRIORIDAD AL AMBIENTE DE TRABAJO.** No deje las herramientas eléctricas

expuestas a la lluvia. No las utilice en lugares inundados o mojados. Conserve bien iluminada la zona de trabajo. No utilice la herramienta en presencia de líquidos o gases inflamables.

- **PROTEJASE CONTRA EL CHOQUE ELECTRICO.** Evite el contacto corporal con superficies aterrizadas, por ejemplo, tuberías, radiadores, antenas y gabinetes de refrigeración.
- **CONSERVE APARTADOS A LOS NIÑOS.** No permita que los visitantes toquen las herramientas o los cables de extensión. Los visitantes deben estar alejados del área de trabajo.
- **GUARDE LAS HERRAMIENTAS QUE NO EMPLEE.** Las herramientas que no se están utilizando deben guardarse en un lugar seco y elevado o bajo llave, fuera del alcance de los niños.
- **NO FUERCE LA HERRAMIENTA.** Esta cumplirá su función mejor y con más seguridad bajo las especificaciones para las que se diseñó.
- **EMPLEE LA HERRAMIENTA ADECUADA.** No fuerce a una herramienta pequeña o a sus dispositivos de montaje en un trabajo de tipo pesado. No emplee la herramienta en una tarea para la que no se diseñó.
- **VISTASE DE LA MANERA ADECUADA.** No tenga puestas ropas o artículos de joyería flojos, pues podrían quedar atrapados por las partes móviles de las herramientas. Se recomienda el empleo de guantes de caucho y calzado antiderrapante cuando se trabaja al aire libre. Cúbrase bien la cabeza para sujetarse el pelo si lo tiene largo. Las rejillas de ventilación cubren partes móviles y también deben evitarse.
- **COLOQUESE ANTEOJOS DE SEGURIDAD.** Póngase también una mascarilla contra el polvo si lo produce la operación que va a efectuar.
- **NO ABUSE DEL CABLE ELECTRICO.** Nunca levante la herramienta por el cordón ni tire de éste para desconectarlo del enchufe. Apártelo del calor y los objetos calientes, las sustancias grasosas y los bordes cortantes.
- **SUJETE FIRMEMENTE LOS OBJETOS SOBRE LOS QUE TRABAJE.** Utilice prensas o tornillos de banco para sujetar bien los objetos sobre los que va a trabajar. Esto ofrece mayor seguridad que sujetar los objetos con la mano, y además deja libres ambas manos para operar la herramienta.
- **NO SE SOBREEJTIENDA.** Conserve en todo momento bien apoyados los pies, lo mismo que el equilibrio.
- **CUIDE SUS HERRAMIENTAS.** Conserve sus herramientas bien afiladas y limpias para que funcionen mejor y con mayor seguridad. Obedezca las instrucciones de lubricación y cambio de accesorios. Inspeccione los cordones eléctricos con frecuencia y, si los encuentra dañados, hágalos cambiar o reparar en un centro de servicio autorizado. Revise también con frecuencia las extensiones eléctricas y reemplácelas si están dañadas. Conserve los mangos secos, limpios y libres de aceites y grasas.
- **DESCONECTE LAS HERRAMIENTAS.** Hágalo cuando no las emplee, antes de darles servicio y cuando vaya a cambiarles accesorios como seguetas, discos, brocas y otros dispositivos de corte.
- **RETIRE LAS LLAVES DE AJUSTE Y DE TUERCAS.** Adquiera el hábito de asegurarse de que se han retirado las llaves de ajuste de la herramienta antes de accionarla.
- **EVITE QUE LA HERRAMIENTA SE ACCIONE ACCIDENTALMENTE.** Nunca sostenga una herramienta con el dedo en el interruptor si se encuentra conectada a la corriente eléctrica. Asegúrese que el interruptor está en la posición de "apagado" antes de conectarla.
- **CABLES DE EXTENSION.** Utilice únicamente extensiones de 3 hilos con clavijas de 3 patas y tomas de corriente de 3 polos que acepten la clavija de la herramienta. Repare o reemplace los cables dañados. Asegúrese que su extensión esté en buenas condiciones. Cuando utilice un cordón de extensión, asegúrese de emplear uno con el calibre suficiente para soportar la corriente necesaria para su producto. Una extensión con calibre menor al necesario causará una caída en el voltaje de la línea, resultando en pérdida de potencia y sobre calentamiento. El cuadro siguiente muestra los calibres correctos para usarse de acuerdo con la longitud de la extensión y el amperaje especificado. Si tiene dudas, utilice el calibre siguiente, más pesado. Cuanto más pequeño el número de calibre del alambre, mayor la capacidad del cable.

Calibre mínimo requerido (AWG) para cables de extensión

Volts	Longitud total del cable de extensión (metros)			
120 V	0 - 7.5	7.6 - 15.2	15.3 - 30.4	30.5 - 45.7
240 V	0 - 15.2	15.3 - 30.4	30.5 - 60.8	60.9 - 121.2

Amperaje en la placa de identificación

Más de	No más de	Calibre promedio del alambre		
0 - 6	18	16	14	
6 - 10	18	16	14	12
10 -	12	16	14	12
12 -	16	14	12	No se recomienda

- **EXTENSIONES PARA TRABAJOS A LA INTEMPERIE.** Cuando trabaje a la intemperie, utilice siempre cordones de extensión diseñados exclusivamente para esta finalidad y marcados así.
- **NO SE DISTRAIGA.** Concéntrese en lo que está haciendo. Recurra al sentido común. No opere ninguna herramienta si se encuentra fatigado.
- **VERIFIQUE LAS PARTES DAÑADAS.** Antes de seguir empleando cualquier herramienta, es indispensable verificar con mucho cuidado que las guardas u otras partes dañadas puedan operar de la manera adecuada para cumplir con su función. Verifique la alineación de las partes móviles, la firmeza con que deben encontrarse sujetas en sus montaduras, las partes rotas, las propias montaduras y cualesquiera otros DETALLES que pudieran afectar a la operación de la herramienta. Las guardas y las otras partes que se encuentren dañadas deberán repararse bien o cambiarse en un centro de servicio autorizado, a menos que se diga otra cosa en el manual del usuario. Haga que se cambien los interruptores dañados en un centro de servicio autorizado. No emplee ninguna herramienta que tenga inutilizado o estropeado el interruptor.

Instrucciones adicionales de seguridad para sierras caladoras

- **▲ PRECAUCION:** Cuando corte en muros, pisos o dondequiera que pueda encontrarse con cables eléctricos vivos, ¡NO TOQUE NINGUNA PARTE METALICA DE LA HERRAMIENTA! Sujétela solamente por las superficies aislantes para evitar el choque eléctrico si corta un cable vivo.
- **CONSERVE LAS MANOS ALEJADAS** de la zona de corte. Por ningún motivo coloque las manos por debajo del material sobre el que trabaja.
- **CONSERVE AFILADAS LAS SEGUETAS.** Las seguetas desafiladas pueden hacer que la sierra cabecee o se atasque bajo presión.
- **▲ PRECAUCION:** utilice la protección auditiva apropiada durante el uso. Bajo ciertas condiciones de duración de uso, el ruido producido por este producto puede contribuir a la pérdida auditiva.

▲ ADVERTENCIA : Parte del polvo creado al lijar, aserruchar, moler o perforar con máquina, así como al realizar otras actividades de la construcción, contiene sustancias químicas que se sabe producen cáncer, defectos congénitos u otras afecciones reproductivas. Algunos ejemplos de esas sustancias químicas son:

- plomo de pinturas a base de plomo,
- sílice cristalizado de ladrillos y cemento y otros productos de albañilería, y
- arsénico y cromo de la madera químicamente tratada (CCA).

El riesgo al contacto con estas sustancias varía, según la frecuencia en que se haga este tipo de trabajo. Para reducir la exposición a esas sustancias químicas: trabaje en un área bien ventilada, y trabaje con equipos de seguridad aprobados, tales como máscaras contra el polvo especialmente diseñadas para filtrar las partículas microscópicas.

- Evite el contacto prolongado con polvos originados por lijar, aserrar, esmerilar, taladrar y otras actividades constructivas. Vista ropas protectoras y lave las áreas expuestas con agua y jabón. Permitir que el polvo se introduzca en su boca, ojos, o dejarlo sobre la piel promueve la absorción de químicos dañinos.

Motor CONSERVE ESTAS INSTRUCCIONES

Su herramienta DeWALT cuenta con un motor DeWALT integrado. Asegúrese que el voltaje de su toma de corriente concuerda con las especificaciones de la placa de la unidad.

Las leyendas Volts 50/60 Hz o "AC only" indican que su unidad debe operarse solamente con corriente alterna, y nunca con corriente continua ("directa"). Las leyendas Volts DC-60 Hz o AC/DC indican que su herramienta puede operarse con corriente alterna o con corriente continua.

Las disminuciones del voltaje mayores de 10% harán que la herramienta pierda fuerza y se sobrecaliente. Todas las herramientas DeWalt se han probado en fábrica; si ésta no operara, verifique la toma de corriente del sitio.

Interruptor de velocidad variable (fig. 1)

Este interruptor tiene un botón marcado con la letra "A", montado en el gatillo interruptor, que se puede hacer girar para hacer variar los golpes por minuto (G.P.M.) de la segueta.

- Para el control de velocidad a "manos libres" (cuanto más a fondo se oprima el gatillo mayor el número de gpm), haga girar al tornillo de ajuste en la dirección "HI" (alta velocidad) (en sentido de las manecillas del reloj) hasta que no pueda girar más.
- Para ajustar el gatillo interruptor con objeto de lograr una velocidad seleccionada cada vez que lo oprima, haga girar primero el botón en la dirección "HI" hasta que no pueda girar más. A continuación oprima el gatillo a fondo, oprima enseguida el botón de seguridad "B" y suelte el gatillo. La unidad se conservará encendida. Haga girar ahora el botón "A" hacia la marca "LO" (baja velocidad) (en sentido contrario a las manecillas del reloj), y observará que la velocidad de la sierra disminuye. Siga haciendo girar el botón hasta que logre la velocidad deseada. Tire del gatillo y suéltelo para apagar la unidad. Tras este ajuste la sierra funcionará a la velocidad seleccionada cada vez que oprima el gatillo, y lo podrá dejar trabado con el botón de seguridad para que quede encendida y funcionando a dicha velocidad.

Acción de corte en línea recta u orbital

Su unidad se caracteriza por su acción orbital para cortar materiales más blandos. Los materiales blandos, como madera y plástico, permiten la penetración profunda de los dientes individuales de la sierra. La acción orbital empuja a la segueta hacia adelante durante el golpe de corte, e incrementa mucho la velocidad de la acción cortante en comparación con la que tienen las sierras caladoras ordinarias. Los materiales más duros, como los metales, deben cortarse con la acción de corte en línea recta o con un ajuste orbital muy bajo. Para seleccionar el corte en línea recta o el corte orbital, ajuste la palanca de la sierra como se ilustra en la figura 2.

Ajuste de corte a bisel

Se pueden hacer cortes a bisel a cualquier ángulo entre 0° y 45°. Ajuste la zapata aflojando el tornillo que se encuentra en la parte inferior de la herramienta (fig. 3) y haciendo girar la zapata hasta el ángulo deseado. Una vez ajustada, apriete el tornillo firmemente y utilice la sierra de manera normal.

NOTA: Podría ser necesario colocar una mano sobre el cuerpo de la sierra y la otra sobre el borde de la zapata, por detrás de la segueta, para conservar la precisión del corte.

Ajuste para cortes a 90°

- Desconecte la clavija de la toma de corriente.
- Coloque una escuadra contra la segueta y la zapata y ajuste la zapata para 90°.
- La marca de 0° en la placa del cuadrante debe quedar alineada con la marca de la zapata. De ser necesarios algunos ajustes, afloje el tornillo de la placa del cuadrante y mueva hacia donde sea necesario.

Montaje de las seguetas (fig. 4)

Encienda y apague la herramienta las veces que sea necesario para hacer que el porta seguetas se detenga en una posición que le permita alcanzar el tornillo de fijación de la segueta. NUNCA QUITE LA GUIA DEL PORTA SEGUETAS.

Desconecte la herramienta de la extensión o la toma de corriente. Afloje el tornillo que se encuentra a un lado del porta seguetas. Inserte una segueta en el porta seguetas tanto como le sea posible (aproximadamente 13 mm). Asegúrese que el borde trasero de la segueta se ajuste al rodillo de soporte como se observa en la figura 4 y apriete el tornillo contra la segueta.

Zapata anti astilladuras (fig. 5)

Esta sierra caladora tiene una zapata especial con doble terminación, con una abertura ancha en un extremo para cortes en general y cortes a bisel y con una ranura muy angosta en el otro extremo para utilizarse únicamente con seguetas con dientes cóncavos. Esta ranura angosta funciona como dispositivo anti astilladuras, particularmente útil al cortar madera contraplacada.

NOTA: Únicamente utilice seguetas con dientes cóncavos con el lado de la zapata que tiene la ranura. El uso de cualquier otro tipo de seguetas dañará la zapata. El dispositivo anti astilladuras debe utilizarse únicamente cuando haga cortes rectos o circulares con una guía, no para hacer cortes a bisel, de bolsillo ni para cortar metal.

Inversión de la posición de la zapata

(DESCONECTE LA HERRAMIENTA)

Para invertir la posición de la zapata retire el tornillo de la parte inferior de la herramienta, como se observa en la figura 5, y saque la zapata de la sierra. (Recuerde la posición la posición del sujetador. El sujetador deberá reinstalarse de la misma manera o la zapata no se acoplará correctamente.) Gire la zapata y reinstálela, verificando que, al quedar la ranura hacia adelante, el tornillo pasa a través del orificio de la zapata, y cuando la abertura está hacia adelante, el tornillo pasa a través de la ranura de la zapata.

NOTA: Estudie la figura 5 antes de intentar invertir la zapata.

Corte de bolsillo (figs. 6 y 7)

El corte de bolsillo es un método muy fácil para hacer un corte interior. Se puede insertar la sierra directamente en una tabla o un tablero sin taladrar de antemano una guía o un agujero de broca. Cuando vaya a efectuar un corte de bolsillo, mida la superficie por cortar y márquela claramente con lápiz. Incline a continuación la sierra hacia adelante hasta que el extremo frontal de la zapata se asiente con firmeza contra la superficie de trabajo. Enciéndala y permítale alcanzar la máxima velocidad. Sujete la sierra con firmeza y haga descender el borde posterior de la zapata lentamente hasta que la segueta alcance toda la profundidad. Sujete la zapata plana contra la superficie de madera e inicie el corte. No saque la segueta de la ranura que está cortando mientras siga moviéndose. La segueta debe detenerse por completo antes de sacarla.

Corte de madera (fig. 8)

Asegúrese que el tablero que va a cortar esté sujeto y asentado con firmeza. No ponga a funcionar la herramienta cuando la segueta se encuentre apoyada contra el material que va a cortar. Esto podría trabar el motor. Ponga el frente de la zapata sobre el material que va a cortar, y sujete sierra y zapata con firmeza contra la madera mientras la corta. No fuerce la herramienta; deje que la segueta efectúe el corte a su propia velocidad. Siempre que sea posible sujete con prensas o apoye bien el material de trabajo cerca de la línea de corte; una vez terminado éste, apague la unidad, deje que la segueta se detenga por completo y ponga la herramienta a un lado antes de soltar el material del sitio en que está sujeto. Emplee la velocidad más alta para cortar madera.

Cortes de tiras y circulares (fig. 9)

Los cortes al hilo y en círculo sin líneas trazadas con lápiz se efectúan con facilidad con el accesorio propio para esta herramienta llamado guía para cortes al hilo y circulares (disponible con un pequeño cargo). Cuando se emplee esta guía, la zapata debe encontrarse en la posición contra astilladuras. Cuando corte al hilo: inserte la guía por uno de los lados de la sierra con la barra en cruz mirando hacia abajo; ajuste la amplitud del corte, y apriete el tornillo. Cuando corte en círculo: inserte la guía por cualquier lado de la herramienta con la barra en cruz mirando hacia arriba; ajuste la guía de modo que la distancia entre la segueta y el orificio de la barra en cruz sea el radio deseado del círculo que va a cortar, y apriete el tornillo; coloque la sierra de modo que el centro del orificio de la barra en cruz se encuentre sobre el centro del círculo que va a cortar (haga un corte en bolsillo, un orificio de broca para la segueta o un corte hacia el interior desde la orilla del material para colocar la segueta en la

posición adecuada). Cuando la sierra esté bien colocada, coloque un clavo a través del orificio de la barra en cruz exactamente en el centro del círculo que se va a cortar. Inicie el corte del círculo valiéndose de la guía como eje de la circunferencia.

Corte de metales (fig. 10)

Cuando se va a cortar una lámina delgada de metal, lo mejor es sujetarla sobre otra lámina de madera o madera contraplacada; esto garantizará un corte limpio sin el peligro de vibración o de que se desgarre el metal. Recuerde siempre que debe emplear una segueta de dientes más finos para los metales ferrosos (los que tienen un gran contenido de hierro), y de recurrir a una de dientes más burdos para cortar los metales no ferrosos (los que no contienen hierro). Recorra a un ajuste de alta velocidad para cortar metales blandos (aluminio, cobre, latón, acero blando, tubos galvanizados, conductos para cables eléctricos, etc.). Ajuste la herramienta a baja velocidad para cortar plásticos, mosaicos, laminado plástico, metales duros y hierro colado.

Lubricación

Se recomienda que envíe, al menos una vez al año, su unidad a un centro de servicio para que la sometan allí a limpieza profunda, inspección y lubricación de la caja de engranajes.

Accesorios

Dispone usted de los accesorios recomendados para su herramienta con cargo adicional con su distribuidor local o en los centros de servicio autorizado.

▲ PRECAUCIÓN: El uso de cualquier accesorio no recomendado para emplearse con esta herramienta puede ser peligroso.

PARA REPARACIÓN Y SERVICIO DE SUS HERRAMIENTAS ELÉCTRICAS DIRÍJASE

	AL CENTRO DE SERVICIO MÁS CERCANO	
AGUASCALIENTES	Av. de los Maestros 903 - Col. España	449-913-38-01
CAMPECHE	Av. Gobernadores 345 - Col. Santa Ana	981-811-34-90
CHIAPAS 5	Norte Oriente 460 - Col. Centro	961-600-02-87
CHIHUAHUA	Av. Universidad 2903 - Col. Universidad	614-413-64-04
DURANGO	Av. 20 de Noviembre 2004 Ote - Col. Centro	618-818-80-77
GUANAJUATO	1 Mayo 482 - Col. Centro	462-626-79-22
GUADALAJARA	Av. Vallarta 4901-a - Col. Prados Vallarta	333-673-28-15
MÉXICO	16 de Septiembre 509 - Col. Alce Blanco	55-358-40-07
OAXACA	Av. Hidalgo 1303 - Col. Centro	951-514-46-12
SINALOA	Blvd. Manuel J. Clouthier 3027 Col. Lomas del Blvd.	667-717-89-99
SAN LUIS POTOSÍ	Av. Universidad 1525 - Col. San Luis	444-814-23-83
SONORA	Nayarit 217 - Col. San Benito	662-210-25-50
TABASCO	Periférico 2047 - Col. Periférico	993-350-38-72
TAMAULIPAS	Tiburcio Garza Zamora 1185 - Col. Beatty	813-374-24-16
YUCATÁN	Calle 63 No. 459 - Col. Centro	999-923-08-49
TAMPICO	Av. Hidalgo 1801 - Col. Aurora	833-213-42-61

PARA OTRAS LOCALIDADES LLAME AL: 326 7100

Importante

Para garantizar la SEGURIDAD y la CONFIABILIDAD, deberán hacerse reparaciones, mantenimiento y ajustes de esta herramienta en los centros autorizados de servicio DeWALT u otras organizaciones autorizadas. Estas organizaciones prestan servicio a las herramientas DeWALT y emplean siempre refacciones legítimas DeWALT.

Póliza de Garantía

IDENTIFICACIÓN DEL PRODUCTO:

Sello o firma del Distribuidor.

Nombre del producto: _____ Mod./Cat.: _____

Marca: _____ Núm. de serie: _____

(Datos para ser llenados por el distribuidor)

Fecha de compra y/o entrega del producto: _____

Nombre y domicilio del distribuidor donde se adquirió el producto: _____

Este producto está garantizado por un año a partir de la fecha de entrega, contra cualquier defecto en su funcionamiento, así como en materiales y mano de obra empleados para su fabricación. Nuestra garantía incluye la reparación o reposición del producto y/o componentes sin cargo alguno para el cliente, incluyendo mano de obra, así como los gastos de transportación razonablemente erogados derivados del cumplimiento de este certificado.

Para hacer efectiva esta garantía deberá presentar su herramienta y esta póliza sellada por el establecimiento comercial donde se adquirió el producto, de no contar con ésta, bastará la factura de compra.

EXCEPCIONES.

Esta garantía no será válida en los siguientes casos:

- Cuando el producto se hubiese utilizado en condiciones distintas a las normales;
- Cuando el producto no hubiese sido operado de acuerdo con el instructivo de uso que se acompaña;
- Cuando el producto hubiese sido alterado o reparado por personas distintas a las enlistadas al final de este certificado.

Anexo encontrará una relación de sucursales de servicio de fábrica, centros de servicio autorizados y franquiciados en la República Mexicana, donde podrá hacer efectiva su garantía y adquirir partes, refacciones y accesorios originales.

Garantía Completa

Las herramientas industriales DeWALT están garantizadas durante un año a partir de la fecha de compra. Repararemos, sin cargos, cualquier falla debida a material o mano de obra defectuosos. Por favor regrese la unidad completa, con el transporte pagado, a cualquier Centro de Servicio para Herramientas Industriales de DeWALT o a las estaciones de servicio autorizado enlistadas bajo "Herramientas Eléctricas" en la Sección Amarilla. Esta garantía no se aplica a los accesorios ni a daños causados por reparaciones efectuadas por terceras personas. Esta garantía le otorga derechos legales específicos, y usted puede tener otros derechos que pueden variar de estado a estado.

En adición a la garantía, las herramientas DeWALT están amparadas por nuestra:

GARANTÍA DE SATISFACCIÓN SIN RIESGO POR 30 DÍAS

Si usted no se encuentra completamente satisfecho con el desempeño de su herramienta industrial DeWALT, sencillamente devuélvala a los vendedores participantes durante los primeros 30 días después de la fecha de compra para que le efectúen un reembolso completo. Por favor regrese la unidad completa, con el transporte pagado. Se puede requerir prueba de compra.

REEMPLAZO DE LAS ETIQUETAS DE ADVERTENCIA GRATUITO: Si sus etiquetas de advertencia se tornan ilegibles o se pierden, llame al 1-800-4-DEWALT para que se las reemplacen sin cost.

Especificaciones (DW313, DW318, DW318G)

Tensión de alimentación	120 V CA/CD
Potencia nominal:	500 W
Frecuencia de operación:	50/60 Hz
Consumo de corriente:	4,5 A

IMPORTADOR: DeWALT S.A. DE C.V.
BOSQUES DE CIDROS ACCESO RADIATAS NO. 42
COL. BOSQUES DE LAS LOMAS, 3A. SECCIÓN, CP 05120
DELEGACIÓN CUAJIMALPA, MÉXICO, D.F.
TEL. 5 326 7100
R.F.C.: BDE810626-1W7

Para servicio y ventas consulte
"HERRAMIENTAS ELÉCTRICAS"
en la sección amarilla.

