

*If you have questions or comments, contact us.
Pour toute question ou tout commentaire, nous contacter.
Si tiene dudas o comentarios, contáctenos.*

1-800-4-DEWALT • www.dewalt.com

**INSTRUCTION MANUAL
GUIDE D'UTILISATION
MANUAL DE INSTRUCCIONES**

INSTRUCTIVO DE OPERACIÓN, CENTROS DE SERVICIO Y PÓLIZA
DE GARANTÍA. **ADVERTENCIA:** LÉASE ESTE INSTRUCTIVO
ANTES DE USAR EL PRODUCTO.

DEWALT®

**DW076
Rotary Laser
Laser rotatif
Láser rotativo**

IF YOU HAVE ANY QUESTIONS OR COMMENTS ABOUT THIS OR ANY DEWALT TOOL, CALL US TOLL FREE AT: 1-800-4-DEWALT (1-800-433-9258)



WARNING! Read and understand all instructions. Failure to follow all instructions listed below may result in electric shock, fire and/or serious personal injury.

SAVE THESE INSTRUCTIONS

Safety Instructions for Lasers

- **Do not operate the laser in explosive atmospheres, such as in the presence of flammable liquids, gases, or dust.** Power tools create sparks which may ignite the dust or fumes.
- **Use the laser only with the specifically designated batteries.** Use of any other batteries may create a risk of fire.
- **Store idle laser out of reach of children and other untrained persons.** Lasers are dangerous in the hands of untrained users.
- **Use only accessories that are recommended by the manufacturer for your model.** Accessories that may be suitable for one laser, may create a risk of injury when used on another laser.
- **Tool service must be performed only by qualified repair personnel.** Service or maintenance performed by unqualified personnel may result in injury. To locate your nearest DEWALT service center call 1-800-4-DEWALT (1-800-433-9258) or go to <http://www.dewalt.com> on the Internet.
- **Do not use optical tools such as a telescope or transit to view the laser beam.** Serious eye injury could result.
- **Do not place the laser in a position which may cause anyone to intentionally or unintentionally stare into the laser beam.** Serious eye injury could result
- **Turn the laser off when it is not in use.** Leaving the laser on increases the risk of staring into the laser beam.

- **Repairs and servicing MUST be performed by a qualified repair facility.** Repairs performed by unqualified personnel could result in serious injury.
- **Do not disassemble the laser tool.** There are no user serviceable parts inside.
- **Do not operate the laser around children or allow children to operate the laser.** Serious eye injury may result.
- **Do not remove or deface warning labels.** If labels are removed user or others may inadvertently expose themselves to radiation.
- **Position the laser securely on a level surface.** Damage to the laser or serious injury could result if the laser falls.
- **Dress properly. Do not wear loose clothing or jewelry. Contain long hair. Keep your hair, clothing, and gloves away from moving parts.** Loose clothing, jewelry, or long hair can be caught in moving parts. Air vents often cover moving parts and should also be avoided.

CAUTION - Use of controls or adjustments or performance of procedures other than those specified herein may result in hazardous radiation exposure.

WARNING! DO NOT DISASSEMBLE THE ROTARY LASER. There are no user serviceable parts inside. Disassembling the rotary laser will void all warranties on the product. Do not modify the product in any way. Modifying the tool may result in hazardous laser radiation exposure.

- The label on your tool may include the following symbols.
 - V.....volts
 - mWmilliwatts
 - *—laser warning symbol
 - nmwavelength in nanometers
 - IIIaClass IIIa Laser

READ ALL INSTRUCTIONS

- **Do not incinerate the battery pack even if it is severely damaged or is completely worn out.** The battery pack can explode in a fire.
- **A small leakage of liquid from the battery pack cells may occur under extreme usage or temperature conditions.** This does not indicate a failure. However, if the outer seal is broken and this leakage gets on your skin:
 - a. Wash quickly with soap and water.
 - b. Neutralize with a mild acid such as lemon juice or vinegar.
 - c. If battery liquid gets into your eyes, flush them with clean water for a minimum of 10 minutes and seek immediate medical attention. **(MEDICAL NOTE: The liquid is 25-35% solution of potassium hydroxide.)**
- Charge the battery packs only in DeWALT chargers.
- **DO NOT splash or immerse in water or other liquids.**
- **Do not store or use the tool and battery pack in locations where the temperature may reach or exceed 105°F (40°) (such as outside sheds or metal buildings in summer).**

⚠ DANGER: Electrocution hazard. Never attempt to open the battery pack for any reason. If battery pack case is cracked or damaged, do not insert into charger. Electric shock or electrocution may result. Damaged battery packs should be returned to service center for recycling.

NOTE: Battery storage and carrying caps are provided for use whenever the battery is out of the tool or charger. Remove cap before placing battery in charger or tool.

⚠ WARNING: Fire hazard. Do not store or carry battery so that metal objects can contact exposed battery terminals. For example, do not place battery in aprons, pockets, tool boxes, product kit boxes, drawers, etc., with loose nails, screws, keys, etc. without battery cap. **Transporting batteries can possibly cause fires if the battery terminals**



inadvertently come in contact with conductive materials such as keys, coins, hand tools and the like. The US Department of Transportation Hazardous Material Regulations (HMR) actually prohibit transporting batteries in commerce or on airplanes (i.e., packed in suitcases and carry-on luggage) UNLESS they are properly protected from short circuits. So when transporting individual batteries, make sure that the battery terminals are protected and well insulated from materials that could contact them and cause a short circuit.

The RBRC™ Seal

The RBRC™ (Rechargeable Battery Recycling Corporation) Seal on the nickel-cadmium battery (or battery pack) indicates that the costs to recycle the battery (or battery pack) at the end of its useful life have already been paid by DeWALT. In some areas, it is illegal to place spent nickel-cadmium batteries in the trash or municipal solid waste stream and the RBRC program provides an environmentally conscious alternative.



RBRC in cooperation with DeWALT and other battery users, has established programs in the United States to facilitate the collection of spent nickel-cadmium batteries. Help protect our environment and conserve natural resources by returning the spent nickel-cadmium battery to an authorized DeWALT service center or to your local retailer for recycling. You may also contact your local recycling center for information on where to drop off the spent battery.

RBRC™ is a registered trademark of the *Rechargeable Battery Recycling Corporation*.

Important Safety Instructions for Battery Chargers

SAVE THESE INSTRUCTIONS: This manual contains important safety instructions for battery chargers.

- Before using charger, read all instructions and cautionary markings on charger, battery pack, and product using battery pack.

⚠ DANGER: Electrocutation hazard. 120 volts are present at charging terminals. Do not probe with conductive objects. Electric shock or electrocution may result.

⚠ WARNING: Shock hazard. Do not allow any liquid to get inside charger. Electric shock may result.

⚠ CAUTION: Burn hazard. To reduce the risk of injury, charge only DEWALT nickel cadmium rechargeable batteries. Other types of batteries may burst causing personal injury and damage.

⚠ CAUTION: Under certain conditions, with the charger plugged in to the power supply, the exposed charging contacts inside the charger can be shorted by foreign material. Foreign materials of a conductive nature such as, but not limited to, steel wool, aluminum foil, or any buildup of metallic particles should be kept away from charger cavities. Always unplug the charger from the power supply when there is no battery pack in the cavity. Unplug charger before attempting to clean.

- **DO NOT attempt to charge the battery pack with any chargers other than the ones in this manual.** The charger and battery pack are specifically designed to work together.
- **These chargers are not intended for any uses other than charging DEWALT rechargeable batteries.** Any other uses may result in risk of fire, electric shock or electrocution.
- **Do not expose charger to rain or snow.**
- **Pull by plug rather than cord when disconnecting charger.** This will reduce risk of damage to electric plug and cord.
- **Make sure that cord is located so that it will not be stepped on, tripped over, or otherwise subjected to damage or stress.**
- **Do not use an extension cord unless it is absolutely necessary.** Use of improper extension cord could result in risk of fire, electric shock, or electrocution.
- **An extension cord must have adequate wire size (AWG or American Wire Gauge) for safety.** The smaller the gauge

number of the wire, the greater the capacity of the cable, that is 16 gauge has more capacity than 18 gauge. When using more than one extension to make up the total length, be sure each individual extension contains at least the minimum wire size.

Recommended Minimum Wire Size for Extension Cords

Total Length of Cord

25 ft.	50 ft.	75 ft.	100 ft.	125 ft.	150 ft.	175 ft.
7.6 m	15.2 m	22.9 m	30.5 m	38.1 m	45.7 m	53.3 m

Wire Size AWG

18	18	16	16	14	14	12
----	----	----	----	----	----	----

- **Do not place any object on top of charger or place the charger on a soft surface that might block the ventilation slots and result in excessive internal heat.** Place the charger in a position away from any heat source. The charger is ventilated through slots in the top and the bottom of the housing.
- **Do not operate charger with damaged cord or plug** — have them replaced immediately.
- **Do not operate charger if it has received a sharp blow, been dropped, or otherwise damaged in any way.** Take it to an authorized service center.
- **Do not disassemble charger; take it to an authorized service center when service or repair is required.** Incorrect reassembly may result in a risk of electric shock, electrocution or fire.
- **Disconnect the charger from the outlet before attempting any cleaning.** This will reduce the risk of electric shock. Removing the battery pack will not reduce this risk.
- **NEVER attempt to connect 2 chargers together.**
- **The charger is designed to operate on standard household electrical power (120 Volts). Do not attempt to use it on any other voltage.** This does not apply to the vehicular charger.

battery life. The red light flashes long, then short while in the Hot Pack Delay mode.

PROBLEM POWER LINE

Some chargers have a Problem Power Line indicator. When the charger is used with some portable power sources such as generators or sources that convert DC to AC, the charger may temporarily suspend operation, **flashing the red light with two fast blinks followed by a pause**. This indicates the power source is out of limits.

LEAVING THE BATTERY PACK IN THE CHARGER

The charger and battery pack can be left connected with the red light glowing indefinitely. The charger will keep the battery pack fresh and fully charged.

NOTE: A battery pack will slowly lose its charge when kept out of the charger. If the battery pack has not been kept on maintenance charge, it may need to be recharged before use. A battery pack may also slowly lose its charge if left in a charger that is not plugged into an appropriate AC source.

WEAK BATTERY PACKS: Chargers can also detect a weak battery. Such batteries are still usable but should not be expected to perform as much work. In such cases, about 10 seconds after battery insertion, the charger will beep rapidly 8 times to indicate a weak battery condition. The charger will then go on to charge the battery to the highest capacity possible.

Important Charging Notes

1. Longest life and best performance can be obtained if the battery pack is charged when the air temperature is between 65°F and 75°F (18°- 24°C). DO NOT charge the battery pack in an air temperature below +40°F (+4.5°C), or above +105°F (+40.5°C). This is important and will prevent serious damage to the battery pack.

2. The charger and battery pack may become warm to touch while charging. This is a normal condition, and does not indicate a problem. To facilitate the cooling of the battery pack after use, avoid placing the charger or battery pack in a warm environment such as in a metal shed, or an uninsulated trailer.
3. If the battery pack does not charge properly:
 - a. Check current at receptacle by plugging in a lamp or other appliance
 - b. Check to see if receptacle is connected to a light switch which turns power off when you turn out the lights.
 - c. Move charger and battery pack to a location where the surrounding air temperature is approximately 65°F - 75°F (18°- 24°C).
 - d. If charging problems persist, take the tool, battery pack and charger to your local service center.
4. The battery pack should be recharged when it fails to produce sufficient power on jobs which were easily done previously. DO NOT CONTINUE to use under these conditions. Follow the charging procedure. You may also charge a partially used pack whenever you desire with no adverse affect on the battery pack.
5. Under certain conditions, with the charger plugged into the power supply, the exposed charging contacts inside the charger can be shorted by foreign material. Foreign materials of a conductive nature such as, but not limited to, steel wool, aluminum foil, or any buildup of metallic particles should be kept away from charger cavities. Always unplug the charger from the power supply when there is no battery pack in the cavity. Unplug charger before attempting to clean.
6. Do not freeze or immerse charger in water or any other liquid.

⚠ WARNING: Shock hazard. Don't allow any liquid to get inside charger. Electric shock may result.

⚠ CAUTION: Never attempt to open the battery pack for any reason. If the plastic housing of the battery pack breaks or cracks, return to a service center for recycling.

LASER OPERATION

- Ensure that the battery is properly charged. If the “Power” LED light is flashing, the battery needs to be charged.
- To extend battery life per charge, turn the laser off when it is not in use.
- To ensure the accuracy of your work, check the laser calibration often. See the **Field Calibration Check** section of this manual.
- Before attempting to use the laser, make sure the tool is positioned on a relatively smooth, secure surface.
- Always mark the center of the laser line or dot. If you mark different parts of the beam at different times you will introduce error into your measurements.
- To increase working distance and accuracy, set up the laser in the middle of your working area.
- When attaching to a tripod or wall, mount the laser securely.
- When working indoors, a slow rotary head speed will produce a visibly brighter line, a faster rotary head speed will produce a visibly solid line.
- To increase beam visibility, wear a Laser Enhancement Glasses (not included) and/or use a Laser Target Card (not included) to help find the beam.
- Extreme temperature changes can cause movement or shifting of building structures, metal tripods, equipment, etc., which can effect accuracy. Check your accuracy often while working.
- If the laser is dropped or has suffers a sharp blow, have the calibration system checked by a qualified service center before using the laser.

NOTE: The DW076 rotary laser has no remote control capability.

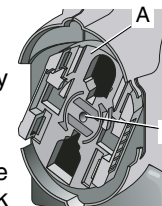
SPECIFICATIONS	
Light Source	Semiconductor laser diode
Laser Wavelength	630 – 680nm Visible
Laser Power	<5mw, CLASS IIIa LASER PRODUCT
Rotation Speed	approx. 600 rpm
Self-Leveling Range	± 5°
Indoor Visible Range	200' (61m) diameter
Range with Detector	1500' (450m) diameter
Level Accuracy	± 1/8" per 100' (± 3mm per 31m)
Power Source	9.6V–18V DEWALT batteries
Operating Temperature	23°F to 122°F (-5°C to 50°C)
Storage Temperature	-4°F to 158°F (-20°C to 70°C)
Water Resistant	IPX4
Usage	Indoor and Outdoor
Altitude	Up to 6560' (2000m)
Maximum Relative Humidity	95%
Rated Pollution Degree	2

Installing and Removing the Battery Pack

NOTE: Make sure your battery pack is fully charged before you install it.

INSTALLING THE BATTERY PACK

1. Rotate the battery adapter plate (A) so that the applicable cut out for 9.6, 12, 14.4 volt pack or the 18 volt pack is aligned with the battery contacts facing the inside of the cut out.



- Slide the battery pack in firmly until you hear the battery pack lock in place.

REMOVING THE BATTERY PACK

- Push the battery in slightly, press the release buttons, and firmly pull the battery pack out of the receptacle.
- The battery ejector pin (B) will aid in removing the pack.
- To recharge the battery pack, insert it into the charger as described in the charger section of this manual.

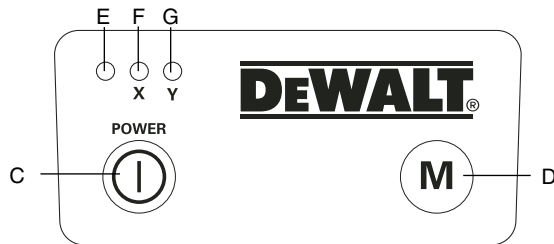
Control Panel

The laser is controlled by the ON/OFF button (C) and the manual rotation button (D). Three indicator lights are on the control panel, power LED light (E), X-axis leveling (F), and Y-axis leveling (G).

TURNING THE LASER ON

- Insert the fully charged battery pack through the proper cut out in battery adapter plate. Be sure that the battery is firmly engaged.
- Gently press the ON/OFF button (C) to power the laser on. The laser diode will turn on and the power LED light (E) will illuminate. The X-axis and Y-axis leveling lights (F, G) will flash indicating that the laser is automatically leveling.

NOTE: The head will only rotate momentarily if the laser is leveling. The head will begin or resume rotation once the laser is level.



TURNING THE LASER OFF

Gently press the ON/OFF button to turn the laser off. The power LED Light will no longer be illuminated.

Using the Laser on a Tripod

- Position the tripod securely and set it to the desired height.
- Make sure that the top of the tripod is roughly level. the laser will self-level only if the top of the tripod is within $\pm 5^\circ$ of level. If the laser is set up too far out of level, it will beep when it reaches the limit of its leveling range. No damage will be done to the laser, but it will not operate in an "out of level" condition.
- Secure the laser to the tripod by screwing the threaded knob on the tripod into the female thread on the bottom of the laser.

NOTE: Be sure that the tripod you are working with has a 5/8"-11 threaded screw to ensure secure mounting.

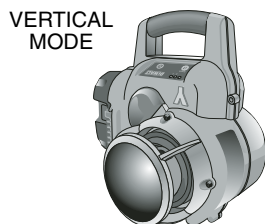
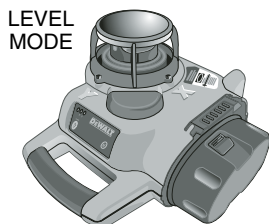
- Turn the laser on by pressing the ON/OFF button (C). The rotary head starts to spin after the unit levels itself.

Using the Laser in Level Mode

The laser can be positioned directly on the floor or on a tripod (described above) for applications such as carpentry.

- Place the laser on a smooth surface where it will not be disturbed.
- Position the laser for level setting as shown.
- Turn the laser on by pressing the ON/OFF button (C).
- The level indicator lights (F, G) blink on and off until the rotary head is level.
- The rotary head starts spinning after leveling and the indicator lights remain on continuously.

NOTE: When the laser is out of leveling range. The rotary head stops spinning, the laser turns off, the transmitter beeps and the level indicator lights (F, G) blink.



Using the Laser in Manual Mode

To activate manual mode, press the manual button (D) for at least two seconds. The laser will not self level and the level indicator lights (F, G) do not light while in manual mode. Manual mode may be used in either level or vertical orientation.

Using the Laser in Vertical Mode

The laser can be positioned to be used in the vertical orientation. The laser will not self level in vertical mode.

1. Place the laser on a smooth surface where it will not be disturbed.
2. Position the laser vertically as shown.
3. The laser must be put in manual mode when used in vertical orientation.
4. Turn the laser on by pressing the ON/OFF button (C).

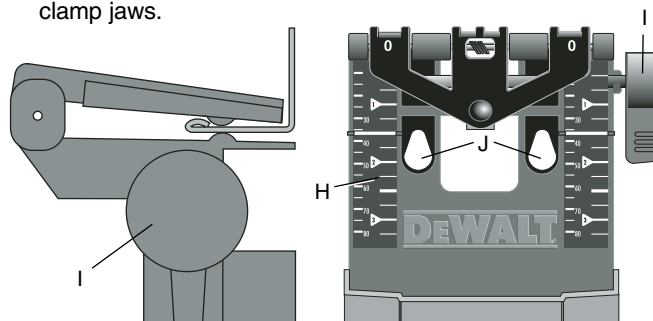
Using the Laser with a Wall Mount

The DW076 Rotary Laser has been designed to work with an accessory Wall Mount (DW0770). It can be used for attaching the tool to track or ceiling angle (mould) and to aid in acoustical ceiling installation. Follow the directions below for using the wall mount.

▲ CAUTION: Before attaching the laser level to wall track or ceiling angle, be sure that the track or angle is properly secured.

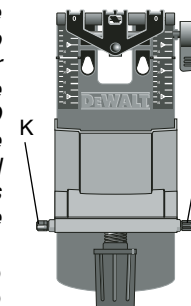
1. Attach the Laser to the accessory wall mount.

2. With the wall mount measuring scale (H) facing you, rotate the wall mount clamp locking knob (I) towards you to open the clamp jaws.



3. Position the clamp jaws around the wall track or ceiling angle and as shown rotate the wall mount clamp locking knob away from you to close the clamp jaws shut on the track. Be sure that the wall mount clamp locking knob is securely locked before proceeding.

▲ CAUTION: Always use a ceiling wire hanger or equivalent material, in addition to the wall mount clamp, to help secure the laser level while mounting it to a wall. Thread the wire through the handle of the laser level. DO NOT thread the wire through the protective metal cage. Additionally, screws may be used to fasten the wall mount directly to the wall as a back up. Screw holes (J) are located in the wall mount next to the measuring scales.

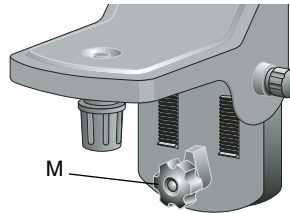


4. The tool can be adjusted up and down to the desired offset height for working. To change the height, loosen the Rack 'N Pinion locking knob (K) located on the left of the wall mount.

- Turn the Rack 'N Pinion adjustment knob (L) located to the right of the wall mount to move the laser level up and down to set your height. Use the wall mount measuring scale to pinpoint your mark.

NOTE: It may be helpful to turn the power on and turn the rotary head so that it puts a dot on one of the laser scales. The DEWALT target card is marked at 1-1/2" (38mm), therefore, it may be easiest to set the offset of the laser to 1-1/2" (38mm) below the wall angle.

- Once you have positioned the laser at the desired offset height, tighten the Rack 'N Pinion locking knob to maintain the offset.
- Using the base leveling knob (M), approximate a level position from the wall.



Laser Accessories

Recommended accessories for use with your tool are available for purchase at your factory-owned local service center.

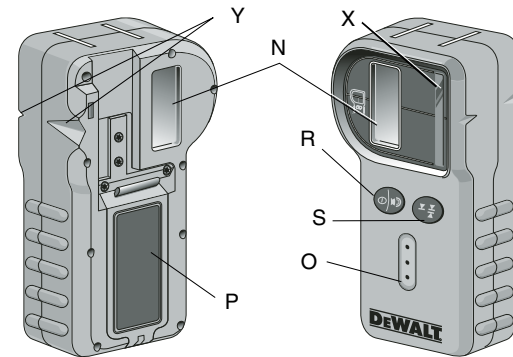
⚠ CAUTION: The use of any non-recommended accessory may be hazardous. Use only DEWALT accessories designed for use with this product.

If you need any assistance in locating any accessory, please contact DEWALT Industrial Tool Co., 701 East Joppa Road, Baltimore, MD 21286 or call 1-800-4-DEWALT (1-800-433-9258). See our catalog on the World Wide Web at www.dewalt.com.

Digital Laser Detector: DW0772

Some laser kits include a DEWALT digital laser detector. The DEWALT digital laser detector allows you to locate a laser beam emitted by a rotary laser in bright light conditions or over long distances. The detector can be used in both indoor and outdoor situations where it is difficult to see the laser beam. The detector is not

for use with non-rotating lasers but is compatible with most rotary red-beam or infra-red (invisible) beam lasers on the market. It can be set to indicate the location of the beam to either the nearest 1/8" or the nearest 1/25". The detector gives both visual signals through the display window (N) and audio signals through the speaker (O) to indicate the location of the laser beam.



The DEWALT digital laser detector can be used with or without the detector clamp. When used with the clamp, the detector can be positioned on a grade rod, leveling pole, stud or post.

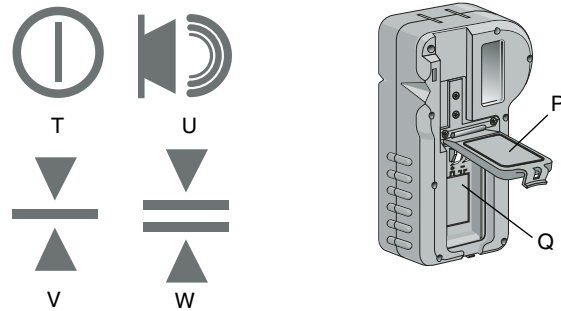
BATTERIES

The digital laser detector is powered by a 9 volt battery. To install the battery provided, lift up on the battery compartment cover (P). Place the 9 volt battery in the compartment, aligning the battery as shown on the embossed icon (Q).

DETECTOR CONTROLS

The detector is controlled by the power/volume button (R) and the accuracy mode button (S). When the power/volume button is pushed once, the detector is turned on. The top of the display win-

down shows the ON icon (T), and the volume icon (U). To decrease the volume of the audible signal that the detector emits when it senses a laser beam, push the button again; one of the half circles next to the horn icon will disappear. To turn off the audible signal push the button a third time; the volume icon will disappear. The DeWALT digital laser detector also has an auto shut-off feature. If a rotary laser beam does not strike the beam detection window, or, if no buttons are pressed, the detector will shut itself off in about 30 minutes.



When the detector is on, the bottom of the window shows an accuracy mode icon. Either the $\pm 1/25$ " accuracy mode icon (V) will appear, or the $\pm 1/8$ " accuracy mode icon (W) will appear. When the $\pm 1/25$ " accuracy mode icon appears, it indicates that the detector will give an "on grade" reading only when the laser beam is on grade or no more than $1/25$ " above or below it. When the $1/8$ " accuracy mode icon appears, it indicates that the detector will give an "on grade" reading when the laser beam is on grade or approximately $1/8$ " above or below it. Push the accuracy mode button (S) once to change the accuracy mode.

		INDICATORS				
		Above Grade	Slightly Above Grade	On Grade	Slightly Below Grade	Below Grade
audible signals		fast beep	fast beep	steady tone	slow beep	slow beep
	display icons					

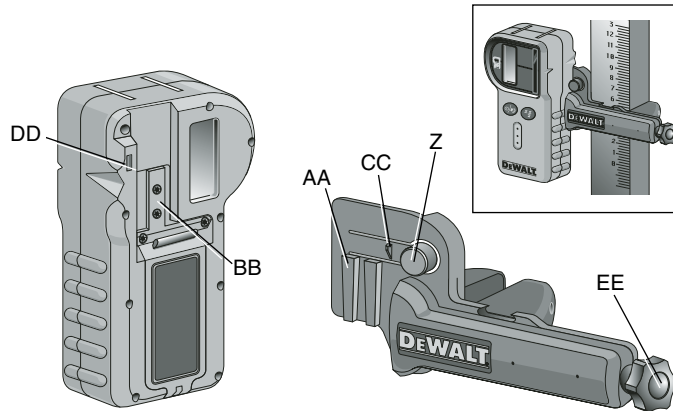
Detector Operation

1. Set up and position the rotary laser that you will be using according to the manufacturer's directions. Turn the laser on and make sure that the laser is rotating and emitting a laser beam.

NOTE: This detector has been designed to be used only with a rotating laser. The detector will not work with a stationary beam laser level.

2. Turn the detector on by pressing the power/volume button (R).
3. Adjust the volume as desired as described in the **Detector Controls** above.
4. Position the detector so that the detector window (X) is facing the laser beam produced by the rotary laser. Move the detector up or down within the approximate area of the beam, until you have centered the detector. For information about the display window indicators and the audible signal indicators, see the table titled **Indicators**.

5. Use the marking notches (Y) to accurately mark the position of the laser beam.



MOUNTING ON A GRADE ROD

1. To secure your detector to a grade rod, first attach the detector to the clamp by pushing in on the clamp latch (Z). Slide the tracks on the clamp (AA) around the rail on the detector (BB) until the latch (CC) on the clamp pops into the latch hole (DD) on the detector.
2. Open the jaws of the clamp by turning the clamp knob (EE) counterclockwise.
3. Position the detector at the height needed and turn the clamp knob clockwise to secure the clamp on the rod.
4. To make adjustments in height, slightly loosen the clamp, reposition and retighten.

Detector Cleaning and Storage

- Dirt and grease may be removed from the exterior of the detector using a cloth or soft, non-metallic brush.

- The DEWALT digital laser detector is waterproof. If you should drop the detector in mud, wet concrete, or a similar substance, simply hose the detector off. Do not use high pressure water, (e.g., from a pressure washer).
- The best storage place is one that is cool and dry—away from direct sunlight and excess heat or cold.

Detector Service

Except for batteries, there are no user serviceable parts in the Digital Laser Detector. Do not disassemble the unit. Unauthorized tampering with the laser detector will void all warranties.

Detector Troubleshooting

THE DETECTOR WILL NOT TURN ON

- Press and release the power/volume button.
- Check to see that the battery is in place and in the proper position.
- If the detector is very cold, allow it to warm up in a heated area.
- Replace the 9 volt battery. Turn the unit on.
- If the detector still does not turn on, take the detector to a DEWALT service center.

THE DETECTOR'S SPEAKER MAKES NO SOUND

- Ensure that the detector is on.
- Press the power/volume button. It will toggle from high, to low, to mute.
- Ensure that the rotary laser is spinning and that it is emitting a laser beam.
- If the detector is still not making any sound, take it to a DEWALT service center.

THE DETECTOR IS NOT RESPONDING TO MY STATIONARY LASER LEVEL

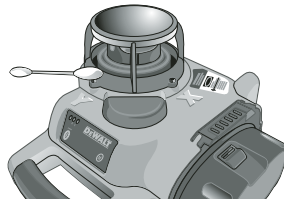
- The DEWALT Digital Laser Detector has been designed to work only with rotary lasers.

THE DETECTOR IS GIVING OFF A TONE BUT THE LCD DISPLAY WINDOW IS NOT FUNCTIONING.

- If the detector is very cold, allow it to warm up in a heated area.
- If the LCD display window is still not functioning, take the detector to a DeWALT service center.

LASER MAINTENANCE

1. Under some conditions, the glass lens inside the rotary head may collect some dirt or debris. This will affect beam quality and operating range. The lens should be cleaned with a cotton swab moistened with water as shown.
2. The flexible rubber shield can be cleaned with a wet lint-free cloth such as a cotton cloth. **USE WATER ONLY — DO NOT** use cleansers or solvents. Allow the unit to air dry before storing.
3. To maintain the accuracy of your work, check the calibration of the laser often. See the **Field Calibration Check** section of this manual.
4. Calibration checks and other maintenance repairs can be performed by DeWALT service centers. Two free calibration checks are included under the DeWALT One Year Free Service Contract.
5. When the laser is not in use, store it in the kit box provided.
6. Do not store your laser in the kit box if the laser is wet. Dry exterior parts with a soft, dry cloth and allow the laser to air dry.
7. Do not store your laser at temperatures below 0°F (-18°C) or above 105°F (41°C).

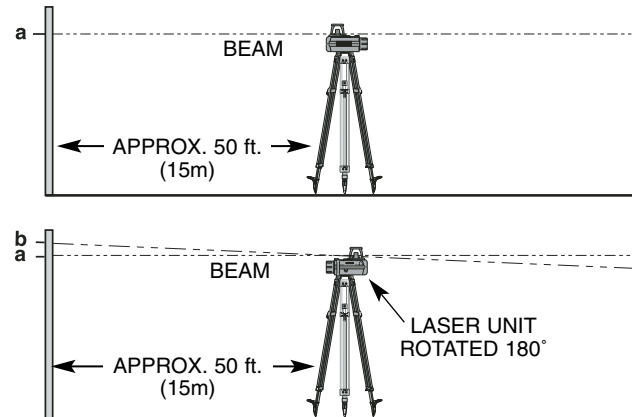


CLEANING

Exterior plastic parts may be cleaned with a damp cloth and mild detergent. Although these parts are highly solvent resistant, **NEVER** use solvents. Never use compressed air to clean the laser.

Field Calibration Check

Field calibration checks should be done frequently. This section provides instructions for performing simple field calibration checks of your DeWALT Rotary Laser. Field calibration checks do not calibrate the laser. That is, these checks do not correct errors in the leveling or plumbing capability of the laser. Instead, the checks indicate whether or not the laser is providing a correct level and plumb line. These checks cannot take the place of professional calibration performed by a DeWALT service center.



LEVEL MODE CALIBRATION CHECK

1. Set up a tripod 50' (15m) from a vertical wall as shown. Make sure that the head of the tripod is level using a bubble vial.

2. Mount the rotary laser on the tripod so that the X-axis points away from the wall as shown.
3. Turn the laser on by pressing the ON/OFF button.
4. Mark the center of the beam elevation on the wall (a).
5. Turn the entire laser unit 180° so that the X-axis points towards the wall and mark the center of the beam elevation (b).
6. If the distance between the two marks (a, b) is no more than 1/8" (3 mm), the laser is properly calibrated.
7. Repeat the above steps for the Y-axis by first pointing the Y-axis away from the wall then turning the entire laser unit 180° again.

Repairs

To assure product SAFETY and RELIABILITY, repairs, maintenance and adjustments should be performed by a DeWALT factory service center, a DeWALT authorized service center or other qualified service personnel. Always use identical replacement parts.

Three Year Limited Warranty

DeWALT will repair, without charge, any defects due to faulty materials or workmanship for three years from the date of purchase. This warranty does not cover part failure due to normal wear or tool abuse. For further detail of warranty coverage and warranty repair information, visit www.dewalt.com or call 1-800-4-DeWALT (1-800-433-9258). This warranty does not apply to accessories or damage caused where repairs have been made or attempted by others. This warranty gives you specific legal rights and you may have other rights which vary in certain states or provinces.

In addition to the warranty, DeWALT tools are covered by our:

1 YEAR FREE SERVICE

DeWALT will maintain the tool and replace worn parts caused by normal use, for free, any time during the first year after purchase.

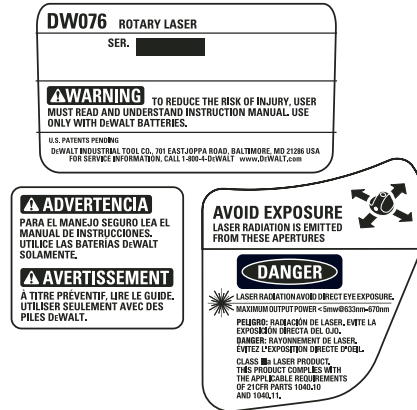
90 DAY MONEY BACK GUARANTEE

If you are not completely satisfied with the performance of your DeWALT Power Tool, Laser, or Nailer for any reason, you can return it within 90 days from the date of purchase with a receipt for a full refund – no questions asked.

LATIN AMERICA: This warranty does not apply to products sold in Latin America. For products sold in Latin America, see country specific warranty information contained either in the packaging, call the local company or see website for warranty information.

RECONDITIONED PRODUCT: Reconditioned product is covered under the 1 Year Free Service Warranty. The 90 Day Money Back Guarantee and the Three Year Limited Warranty do not apply to reconditioned product.

FREE WARNING LABEL REPLACEMENT: If your warning labels become illegible or are missing, call 1-800-4-DeWALT for a free replacement.



SI VOUS AVEZ DES QUESTIONS OU VOULEZ NOUS FAIRE PART DE VOS COMMENTAIRES CONCERNANT CET OUTIL OU TOUT AUTRE OUTIL DEWALT, COMPOSEZ SANS FRAIS LE :
1 800 433-9258

⚠ AVERTISSEMENT : Lire, comprendre et suivre toutes les directives précisées ci-dessous, y compris les consignes de sécurité, afin d'éviter les risques de choc électrique, d'incendie ou de blessure grave.

CONSERVER CES DIRECTIVES

Consignes de sécurité concernant les lasers

- **Ne pas utiliser le laser dans une atmosphère explosive, comme à proximité de liquides, de gaz ou de poussières inflammables;** le moteur peut créer des étincelles et enflammer les vapeurs ou les poussières environnantes.
- **N'utiliser le laser qu'avec les piles désignées,** car l'utilisation d'un autre type de piles pourrait entraîner un risque d'incendie.
- **Lorsqu'on n'utilise pas le laser, le ranger hors de la portée des enfants ou des personnes non qualifiées;** les outils sont dangereux entre les mains de personnes inexpérimentées.
- **N'utiliser que les accessoires recommandés par le fabricant pour le modèle concerné;** un accessoire destiné à un laser particulier peut devenir dangereux lorsqu'il est utilisé avec un autre.
- **L'outil doit être entretenu ou réparé par le personnel qualifié seulement;** toute maintenance effectuée par une personne non qualifiée pourrait entraîner des risques de blessure. Pour obtenir le numéro du centre de service DEWALT le plus près, composer le 1 800 433-9258 ou consulter le site Internet <http://www.dewalt.com>.
- **Ne pas utiliser un dispositif optique,** tel qu'un télescope ou une lunette de passage, pour examiner le faisceau laser afin d'éviter de blesser grièvement les yeux.

- **Ne pas mettre le laser dans une position qui pourrait encourager une personne à regarder directement le faisceau laser,** volontairement ou involontairement, car cela pourrait blesser grièvement les yeux.
- **Mettre le laser hors tension après chaque utilisation,** car un laser laissé sous tension encourage une personne à regarder directement le faisceau laser.
- **La réparation et l'entretien DOIVENT être effectués dans un centre de service autorisé ou par du personnel qualifié;** toute opération d'entretien ou de réparation effectuée par une personne non qualifiée pourrait entraîner des blessures graves.
- **Ne pas démonter l'outil laser;** ce dernier ne comprend aucune pièce interne destinée à être entretenue par l'utilisateur.
- **Ne pas utiliser le laser en présence d'un enfant,** ni autoriser les enfants à utiliser le laser afin d'éviter les blessures graves aux yeux.
- **Ne pas retirer ni abîmer les étiquettes d'avertissement;** le fait de retirer les étiquettes augmentera les risques d'exposition aux rayonnements laser.
- **S'assurer de bien déposer le laser sur une surface de niveau** afin de l'empêcher de tomber et de s'endommager ou de blesser l'utilisateur.
- **Porter des vêtements appropriés; ne pas porter de vêtements amples ni de bijoux. Couvrir ou attacher les cheveux longs. Garder les cheveux, les vêtements, les bijoux et les gants éloignés des pièces mobiles,** car ceux-ci peuvent s'y coincer. Se tenir éloigné des événements puisque ces derniers pourraient camoufler des pièces mobiles.

⚠ MISE EN GARDE : L'utilisation de procédures, de commandes ou de réglages autres que ceux précisés aux présentes pourrait entraîner des risques d'exposition aux rayonnements laser.

⚠ AVERTISSEMENT! NE PAS DÉMONTER LE LASER ROTATIF. L'outil ne comprend aucune pièce interne destinée à

être entretenue par l'utilisateur. Le fait de démonter le laser rotatif annulera toute garantie appuyant ce produit; on ne doit jamais modifier ce dernier de quelque manière que ce soit afin d'éviter d'entraîner des risques d'exposition aux rayonnements.

- L'étiquette apposée sur l'outil peut afficher les symboles suivants :
Vvolts
MWmilliwatts
*symbole d'avertissement du laser
nm.....longueur d'onde exprimée en nanomètres
IIIa.....laser de classe IIIa
- Pour des fins pratiques et de sécurité, la scie à onglets comprend les étiquettes d'avertissement suivantes

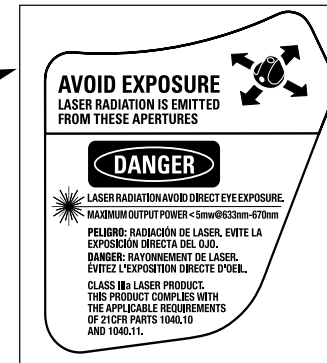
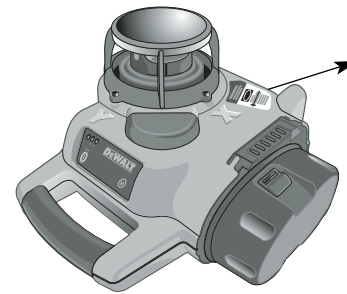
ÉVITER L'EXPOSITION AUX RAYONNEMENTS LASER ÉMIS PAR CES OUVERTURES.

DANGER. RAYONNEMENTS LASER. ÉVITER LES RISQUES D'EXPOSITION OCULAIRE.

Information sur les lasers

Le laser rotatif sans fil DW076 est répertorié en tant que PRODUIT À LASER DE CLASSE IIIa; il est conforme aux exigences pertinentes contenues au chapitre 21 du Code of Federal Regulations (ou CFR) des États-Unis établies par les organismes américains suivants : le Department of Health, Education and Welfare, le Food and Drug Administration et le Center for Devices and Radiological Health.

Ces dispositifs sont conformes aux dispositions de la partie 15 des règlements de la FCC. Le fonctionnement doit respecter les deux conditions suivantes : (1) ce dispositif ne doit pas causer de brouillage nuisible, et (2) ce dispositif doit accepter tout brouillage qu'il reçoit, y compris celui qui cause un fonctionnement indésirable.



REMARQUE : Les essais ont démontré que cet appareil respecte les limites régissant un dispositif numérique de classe B, conformément aux dispositions de la partie 15 des règlements de la FCC. Le but de ces limites est de fournir une protection raisonnable contre le brouillage nuisible dans une installation résidentielle. Cet appareil génère, utilise et peut produire une énergie radiofréquence rayonnée et, lorsqu'il n'est pas installé et utilisé conformément aux directives, peut causer le brouillage nuisible des communications radio. Cependant, il n'existe aucune garantie que le brouillage ne se produira pas dans une installation particulière. Si cet appareil entraîne le brouillage nuisible de la réception radio ainsi que celle des programmes de télévision, ce qui peut être déterminé en allumant et en éteignant l'appareil, on invite l'utilisateur à tenter de corriger le problème relié au brouillage au moyen de l'une des deux méthodes suivantes :

- en réorientant ou en déplaçant l'antenne de réception,
- en augmentant l'espace entre l'appareil et le récepteur ou
- en raccordant l'appareil à une prise murale reliée à un circuit autre que celui dans lequel le récepteur est branché.

- Communiquer avec le distributeur ou un technicien de radio ou de téléviseur qualifié pour obtenir de l'aide.

Cet appareil numérique de la classe B est conforme à la norme NMB-003 du Canada.

Consignes de sécurité importantes concernant les bloc-piles

L'outil fonctionne sur un bloc-pile DEWALT de 9,6, de 12,0 de 14,4 ou de 18 volts. Au moment de commander un bloc-pile de rechange, s'assurer d'inclure le numéro de catalogue et la tension appropriée. Les bloc-piles à durée prolongée durent plus longtemps que les bloc-piles standard. Consulter le diagramme à la fin du présent manuel afin de vérifier la compatibilité du chargeur avec le bloc-pile.

REMARQUE : Bien que l'outil puisse fonctionner au moyen de l'un ou l'autre de ces bloc-piles, on doit s'assurer d'en choisir un de tension appropriée. Un bloc-pile perd graduellement sa charge s'il n'est pas laissé dans le chargeur; il est donc recommandé de le laisser dans le chargeur en tout temps.

Le bloc-pile n'est pas complètement chargé au moment de sa livraison. Avant d'utiliser le bloc-pile et le chargeur, lire attentivement toutes les consignes de sécurité énumérées ci-dessous et suivre les méthodes de chargement précisées ci-dessous.

LIRE TOUTES LES DIRECTIVES

- **NE PAS incinérer le bloc-pile même s'il est gravement endommagé ou complètement usé, car il pourrait exploser en présence de flammes.**
- **Les cellules peuvent subir une fuite légère par suite d'un usage extrême ou d'une exposition à certaines températures; cela n'indique pas un problème. Cependant, si le scellant externe est percé et le liquide entre en contact avec la peau, on doit:**
 - a. *se laver rapidement la partie du corps touchée avec de l'eau savonneuse;*

b. *neutraliser l'effet au moyen d'un acide doux tel que du jus de citron ou du vinaigre;*

c. *si les yeux sont touchés, les rincer à fond avec de l'eau propre pendant au moins 10 minutes et consulter immédiatement un médecin. (REMARQUE AUX FINS MÉDICALES : ce liquide contient une solution composée de 25 à 35 % d'hydroxyde de potassium).*

- *Ne recharger les blocs-piles que dans des chargeurs DEWALT.*
- **NE PAS immerger le chargeur ou le bloc-pile dans l'eau ou tout autre liquide quelconque, ni l'éclabousser.**
- **Ne pas ranger ou utiliser l'outil et le bloc-pile là où la température ambiante peut excéder 40 °C (105 °F) (comme des hangars ou des bâtiments métalliques en été).**

⚠ DANGER : Risques d'électrocution. Ne jamais tenter d'ouvrir le bloc-pile pour quelque raison que ce soit. Si le compartiment se rupture ou subit des dommages, ne pas l'insérer dans le chargeur afin d'éviter les risques de choc électrique ou d'électrocution. On doit retourner les bloc-piles endommagés à un centre de service afin qu'ils puissent être recyclés.

REMARQUE : Un capuchon est fourni avec la pile en vue d'être utilisé chaque fois qu'on retire cette dernière de l'outil ou du chargeur en vue de la ranger ou de la transporter; enlever le capuchon avant de remettre la pile dans le chargeur ou dans l'outil.



⚠ AVERTISSEMENT : Risques d'incendie. S'assurer, au moment de ranger ou de transporter un bloc-pile ou une pile, qu'aucun objet métallique n'entre en contact avec leurs bornes à découvert de celui-ci. Par exemple, il faut éviter de placer un bloc-pile ou une pile sans capuchon dans un tablier, une poche, une boîte à outils ou un tiroir (etc.) contenant des objets tels que des clous, des vis ou des clés, **car tout contact entre les bornes à découvert et un objet métallique comme une clé, une pièce de monnaie, un outil à main, etc. pourrait causer un incendie.** En effet, les règlements américains Hazardous Material

Regulations (HMR) du US Department of Transportation interdisent le transport d'un bloc-pile ou d'une pile dans tout moyen de transport commercial ou aéronef (que ce soit dans une valise ou le bagage de cabine) SAUF s'ils sont bien protégés contre les courts-circuits. On doit donc s'assurer, lorsqu'on transporte un bloc-pile ou une pile séparément, de bien protéger et isoler les bornes contre tout matériau qui risque d'entrer en contact avec eux et de causer un court-circuit.

Sceau RBRC^{MC}

Le sceau RBRC^{MC} de la Rechargeable Battery Recycling Corporation apposé sur la pile au nickel-cadmium (ou le bloc-pile) indique que les coûts de recyclage de ce dernier à la fin de sa vie utile ont déjà été payés par DEWALT. En certains endroits, la mise au rebut ou aux ordures municipales des piles au nickel-cadmium est illégale; le programme de «RBRC» constitue donc une solution des plus pratiques et écologiques.

La «RBRC», en collaboration avec DEWALT et d'autres utilisateurs de piles, a mis sur pied des programmes aux États-Unis dans le but de faciliter la collecte des piles déchargées. DEWALT encourage ses utilisateurs à participer à son programme de protection de l'environnement et de conservation des ressources naturelles en retournant les piles usagées à un centre de service DEWALT ou chez un dépositaire local afin qu'elles puissent être recyclées. On peut en outre se renseigner auprès d'un centre de recyclage local pour connaître d'autres sites les acceptant.

RBRC^{MC} est une marque déposée de la Rechargeable Battery Recycling Corporation.

Consignes de sécurité importantes concernant les chargeurs de piles

CONSERVER CES DIRECTIVES : Le présent manuel comprend d'importantes directives et consignes de sécurité concernant les chargeurs de piles.



- Avant d'utiliser le chargeur, lire toute directive et étiquettes de mise en garde apposées sur le chargeur, le bloc-pile et le produit utilisant le bloc-pile.

⚠ **DANGER** : Risques d'électrocution. Les bornes du chargeur conduisent une tension de 120 volts. Ne pas toucher le chargeur ou la borne avec des objets conducteurs, chocs électriques ou électrocution peuvent en résulter.

⚠ **AVERTISSEMENT** : Risques de choc électrique. Ne jamais laisser de liquide s'infiltrer à l'intérieur du chargeur afin d'éviter les risques de choc électrique.

⚠ **MISE EN GARDE** : Risques de brûlure. Afin de réduire les risques de blessure, ne charger que des piles rechargeables au nickel-cadmium DEWALT. Car les autres peuvent éclater et entraîner des blessures ou des dommages matériels.

⚠ **MISE EN GARDE** : Sous certaines conditions, lorsque le chargeur est enfiché au bloc d'alimentation, les contacts de charge exposés à l'intérieur du chargeur peuvent être court-circuités par des corps étrangers. Les corps étrangers de nature conductrice telle que, mais pas limité à, la paille de fer, les feuilles d'aluminium, ou tout accumulation de particules métalliques doivent être tenus éloignés des cavités du chargeur. Toujours débrancher le chargeur du bloc d'alimentation lorsque le bloc-pile n'y est pas inséré ou avant de le nettoyer.

- **NE PAS tenter de charger le bloc-piles avec des chargeurs autres que ceux décrits dans ce manuel.** Le chargeur et le bloc-pile sont conçus spécialement pour être utilisés ensemble.
- **Ces chargeurs n'ont pas été conçus pour une utilisation autre que recharger les piles rechargeables DEWALT.** Toute autre utilisation pose des risques d'incendie, de choc électrique ou d'électrocution.
- **Ne pas exposer le chargeur à la pluie ou à la neige.**
- **Débrancher le chargeur en saisissant la fiche, non le cordon,** afin de réduire les risques d'endommager la fiche ou le cordon électrique.

- **S'assurer que le cordon est placé de manière à éviter qu'il ne subisse des dommages ou des abus ou que des personnes s'y prennent les pieds et trébuchent.**
- **Ne pas utiliser de rallonge à moins que cela ne soit absolument nécessaire, car l'usage d'une rallonge ayant une puissance inadéquate augmente les risques d'incendie, de choc électrique ou d'électrocution.**
- **Afin d'assurer la sécurité de l'utilisateur, utiliser une rallonge du calibre AWG approprié. Plus le calibre est petit, plus la capacité est grande; autrement dit, une rallonge de calibre 16 est plus puissante qu'une rallonge de calibre 18. Lorsqu'on utilise plusieurs rallonges pour obtenir la longueur voulue, s'assurer que chacune d'elles présente les valeurs minimales requises.**

Calibre minimal recommandé pour les rallonges

Longueur totale de la rallonge

25 pi	50 pi	75 pi	100 pi	125 pi	150 pi	175 pi
7,6 m	15,2 m	22,9 m	30,5 m	38,1 m	45,7 m	53,3 m

Calibre AWG

18	18	16	16	14	14	12
----	----	----	----	----	----	----

- **Ne poser aucun objet sur le dessus du chargeur. Ne pas mettre le chargeur sur une surface molle qui pourrait bloquer les événements et provoquer une chaleur interne excessive. Mettre le chargeur à l'abri de toute source de chaleur. Le chargeur dispose d'orifices d'aération situés sur le dessus et le dessous du boîtier.**
- **Ne pas utiliser le chargeur avec un cordon ou une fiche endommagé; les faire changer immédiatement.**
- **Ne pas utiliser le chargeur s'il a reçu un coup, fait une chute ou a été endommagé de quelque façon que ce soit. Si cela se produit, l'apporter à un centre de service autorisé.**
- **Ne pas démonter le chargeur ; l'apporter à un centre de service autorisé pour tout service ou réparation. Le fait de le**

réassembler de façon incorrecte augmente les risques de choc électrique, d'électrocution et d'incendie.

- **Débrancher le chargeur de la prise murale avant de procéder au nettoyage afin de réduire les risques de chocs électriques.** Le fait de retirer le bloc-pile ne réduit pas ce risque.
- **NE JAMAIS tenter de connecter 2 chargeurs ensemble.**
- **Le chargeur est conçu pour être utilisé sur une prise résidentielle standard de 120 volts. Ne pas tenter de le brancher sur une prise autre que celle pour laquelle il a été conçu.** Cette directive ne s'applique pas aux chargeurs pour véhicules.

Utilisation du mode Tune-up^{MC} Automatique

Le mode de Tune-Up^{MC} Automatique égalise ou équilibre chaque cellule du bloc-piles pour lui permettre de fonctionner à son rendement optimum. Les blocs-piles doivent être réglés chaque semaine ou après une dizaine de cycles de charges/décharges ou chaque fois que la durée de fonctionnement du bloc-piles diminue. Pour utiliser le Tune-Up^{MC} Automatique, mettre le bloc-piles dans le chargeur et l'y laisser pendant au moins 8 heures. Le chargeur passera par les modes suivants :

1. Le voyant rouge clignotera de façon continue indiquant que le cycle de chargement d'une heure a commencé.
2. Lorsque ce dernier est terminé, le voyant restera allumé sans clignoter. Cela indique que le bloc-piles est chargé à plein et peut être alors utilisé.
3. Si le bloc-piles est laissé dans le chargeur après la charge initiale de 1 heure, le chargeur entrera en mode automatique de mise au point. Ce mode dure jusqu'à 8 heures ou jusqu'à ce que les cellules du bloc-piles soient corrigées. Le bloc-piles est prêt à être utilisé et peut être enlevé en tout temps durant le mode de mise au point.

PROBLÈMES RELIÉS À LA SOURCE DE COURANT

Certains chargeurs ont un voyant indiquant qu'il existe un problème relié à la source de courant. Lorsque le chargeur est utilisé avec certaines sources de courant, telles que les générateurs ou un convertisseur de courant continu en courant alternatif, le chargeur peut alors suspendre temporairement le chargement. En présence d'un tel problème, le chargeur émet deux **clignotements rapides, suivis d'une pause**, indiquant que le problème se situe au niveau de la source de puissance.

BLOC-PILES LAISSÉ DANS LE CHARGEUR

Le chargeur et son bloc-piles peuvent rester connectés avec le voyant rouge allumé indéfiniment. Le chargeur maintiendra la pile pleinement chargée.

REMARQUE : Un bloc-pile perdra graduellement sa charge s'il est laissé hors du chargeur. Si le bloc-pile n'a pas été maintenu en mode de maintenance de charge, il peut être nécessaire de le recharger avant chaque utilisation. Un bloc-pile peut aussi perdre sa charge graduellement s'il est laissé dans un chargeur qui n'est pas branché à une source de courant alternatif appropriée.

BLOC-PILE FAIBLE : Les chargeurs peuvent aussi détecter les piles faibles. Ces piles sont encore utilisables mais leur durée d'utilisation sera courte. Dans ce cas, 10 secondes après l'insertion de la pile, le chargeur émettra rapidement huit signaux sonores pour indiquer que la pile est faible. Le chargeur se mettra ensuite à recharger la pile à sa capacité maximale.

Notes importants concernant le chargement

1. Pour une durée de vie prolongée et des performances optimales, recharger le bloc-piles à une température ambiante de 18° à 24 °C (65 °F à 75 °F). NE PAS recharger le bloc-piles dans un lieu où la température ambiante est inférieure à +4.5 °C (+40 °F), ou supérieure à +40.5 °C (+105 °F). C'est important pour prévenir tout dommage sérieux au bloc-piles.
2. Le chargeur et son bloc-piles peuvent devenir chaud au toucher pendant le rechargement. C'est normal et ne représente en aucun cas une défaillance du produit. Pour faciliter le refroidissement du bloc-piles après usage, éviter de laisser le chargeur ou le bloc-piles là où la température ambiante est élevée comme dans un hangar métallique ou une caravane non isolée.
3. Si le bloc-piles ne se recharge pas correctement :
 - a. Vérifier le courant à la prise en y branchant une lampe ou tout autre appareil.
 - b. Vérifier que la prise n'est pas commandée par un interrupteur qui coupe le courant en éteignant les lumières.
 - c. Déplacer le chargeur et le bloc-piles dans un lieu où la température ambiante est entre environ 18° et 24 °C (65 °F et 75 °F).
 - d. Si le problème persiste, ramener l'appareil, le bloc-piles et le chargeur à un centre de service local.
4. Recharger le bloc-piles lorsqu'il ne produit plus assez de puissance pour effectuer un travail qu'il faisait facilement auparavant. NE PAS CONTINUER à utiliser dans ces conditions. Suivre la méthode de rechargement. Il est aussi possible de recharger partiellement un bloc-piles vide si nécessaire sans effet adverse pour le bloc-piles.
5. Sous certaines conditions, lorsque le chargeur est enfiché au bloc d'alimentation, les contacts de charge exposés à l'intérieur du chargeur peuvent être court-circuités par des corps étrangers. Les corps étrangers de nature conductrice telle que, mais pas limité à, la paille de fer, les feuilles d'aluminium, ou tout accumulation de particules métalliques doivent être tenus éloignés des cavités du chargeur. Toujours débrancher le chargeur du bloc d'alimentation lorsque le bloc-pile n'y est pas inséré ou avant de le nettoyer.
6. Ne pas congeler ou immerger le chargeur de pile dans l'eau ou tout autre liquide.

⚠ AVERTISSEMENT : Risques de choc électrique. Ne jamais laisser de liquide s'infiltrer à l'intérieur du chargeur afin d'éviter les risques de choc électrique.

⚠ MISE EN GARDE : Ne jamais tenter d'ouvrir le bloc-piles pour quelque raison que ce soit. Si le boîtier plastique du bloc-piles casse ou se fend, le retourner à un centre de service pour y être recyclé.

UTILISATION DU LASER

- Assurez-vous que la pile est correctement chargée. Si le voyant d'alimentation DEL clignote, cela signifie que la pile doit être chargée.
- Pour prolonger la durée de vie de la pile, par la charge, éteignez le laser lorsqu'il n'est pas utilisé.
- Pour assurer l'exactitude de votre travail, vérifiez souvent l'étalonnage du laser. Reportez-vous à la section **Vérifier l'étalonnage sur place** de ce manuel.
- Avant d'utiliser le laser, assurez-vous que l'outil est positionné sur une surface fixe et relativement lisse.
- Marquez toujours le centre du trait ou du point du laser. Si vous marquez différentes parties du faisceau, à différents moments, vous commettrez une erreur dans vos mesures.
- Pour augmenter la distance de travail et l'exactitude, installez le laser au centre de votre lieu de travail.
- Si vous montez le laser sur un trépied ou un mur, fixez-le solidement.
- Si le travail se fait à l'intérieur, une vitesse faible de la tête rotative produira un trait vif visible alors qu'une vitesse élevée de la tête rotative produira un trait plein visible.
- Pour accroître la visibilité du faisceau, portez des lunettes d'accentuation du laser (non incluses) ou utilisez une carte de guidage du laser (non incluse) pour aider à trouver le faisceau.
- Les changements de température extrêmes peuvent causer le déplacement des structures de l'immeuble, des trépieds

métalliques, de l'équipement, etc., ce qui risque de nuire à l'exactitude. Vérifiez souvent l'exactitude durant votre travail.

- En cas de chute du laser ou s'il reçoit un violent coup, faites vérifier le système d'étalonnage par un centre de réparation professionnel avant d'utiliser le laser.

REMARQUE : Le laser rotatif DW076 n'a aucune capacité pour télécommande.

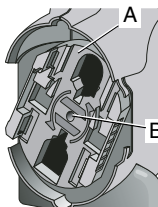
SPÉCIFICATIONS	
Source de lumière	Diode laser à semi-conducteur
Longueur d'onde du laser	Visibilité de 630 – 680 nm
Puissance du laser	<5 mw, PRODUIT LASER CLASSE IIIa
Vitesse de rotation	environ 600 tr/min
Plage d'autonivellement	± 5 °
Plage visible à l'intérieur	diamètre de 61 m (200 pi)
Plage avec détecteur	diamètre de 450 m (1500 pi)
Précision du niveau	± 3 mm par 31 mm (± 1/8 po par 100 pi)
Source d'alimentation	batteries DEWALT 9,6 V–18 V
Température de fonctionnement	-5 °C à 50 °C (23 °F à 122 °F)
Température d'entreposage	-20 °C à 70 °C (-4 °F à 158 °F)
Résistant à l'eau	IPX4
Utilisation	Intérieure et extérieure
Altitude	Jusqu'à 2000 m (6560 pi)
Humidité relative maximum	95%
Niveau de pollution nominale	2

Installation et retrait du bloc-pile

REMARQUE : S'assurer que le bloc-pile est complètement chargé avant de l'installer.

INSTALLATION DU BLOC-PILE

1. Faire pivoter la plaque d'adaptation de la pile (A) dotée du logement prévu pour un bloc-pile de 9,6, de 12 ou de 14,4 volts ou pour un bloc-pile de 18 volts; aligner le logement avec les éléments de contact des piles (ces derniers doivent être orientés vers l'intérieur).
2. Glisser le bloc-pile fermement dans le laser rotatif jusqu'à ce qu'on entende un déclic indiquant qu'il est bien enclenché.



RETRAIT DU BLOC-PILE

1. Appuyer légèrement sur le bloc-pile, puis sur les boutons de dégagement et tirer fermement le bloc-pile hors de son compartiment.
2. Utiliser la tige d'éjection (B) pour retirer le bloc-pile.
3. Pour recharger le bloc-pile, l'insérer dans le chargeur selon les directives appropriées du présent guide.

Panneau de commande

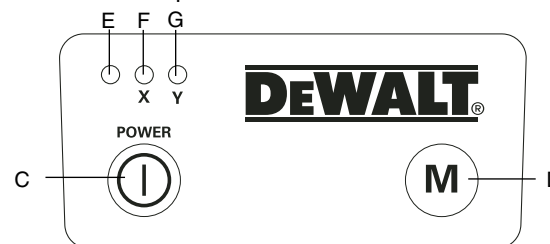
Le laser est commandé par le bouton marche/arrêt (C) et le bouton rotatif manuel (D). Le panneau de commande comprend trois voyants : voyant d'alimentation DEL (E), mise à niveau de l'axe X (F) et la mise à niveau de l'axe Y (G).

ALLUMER LE LASER

1. Insérez le bloc-piles complètement chargé dans la découpe appropriée de la plaque de l'adaptateur piles. Assurez-vous que le bloc-piles est bien engagé.
2. Enfoncez doucement le bouton marche/arrêt (C) afin d'allumer le laser. La diode du laser s'allumera ainsi que le voyant d'alimentation DEL (E). Les voyants de mise à niveau des axes

X et Y (F, G) clignoteront indiquant ainsi que le laser effectue une mise à niveau automatique.

REMARQUE : La tête n'effectuera qu'une rotation momentanée si le laser effectue une mise à niveau. La tête commencera ou reprendra la rotation après la mise à niveau du laser.



ÉTEINDRE LE LASER

Enfoncez doucement le bouton marche/arrêt pour éteindre le laser. Le voyant d'alimentation DEL ne sera plus allumé.

Utilisation du laser sur un trépied

1. Positionnez bien le trépied et réglez-le à la hauteur désirée.
2. Assurez-vous que le sommet du trépied se trouve approximativement au niveau. Le laser effectuera une mise à niveau automatique uniquement si le sommet du trépied se trouve à $\pm 5^\circ$ du niveau. Si le laser est configuré à une valeur trop éloignée du niveau, il émettra un bip au moment d'atteindre la limite de sa plage de mise à niveau. Le laser ne sera pas endommagé, mais il ne fonctionnera pas en condition de « mise à niveau incorrecte ».
3. Fixez le laser au trépied en vissant le bouton fileté du trépied dans le filetage femelle logé dans la partie inférieure du laser.

REMARQUE : Assurez-vous que le trépied que vous utilisez est pourvu d'une vis fileté de 5/8 po-11 afin de garantir une fixation sûre.

4. Allumez le laser en enfonçant le bouton marche/arrêt (C). La tête rotative se met à tourner après la mise à niveau automatique du laser.

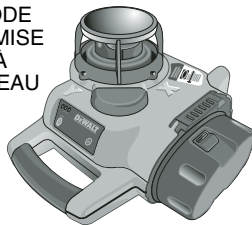
Utilisation du laser en mode de mise à niveau

Le laser peut être positionné directement sur le plancher ou sur un trépied (précédemment décrit) pour des applications comme la charpenterie.

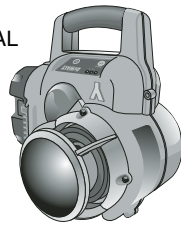
1. Placez le laser sur une surface lisse, à un endroit où il ne sera pas perturbé.
2. Positionnez le laser pour le réglage du niveau comme il est indiqué.
3. Allumez le laser en enfonçant le bouton MARCHE/ARRÊT (C).
4. Les voyants de mise à niveau (F, G) clignotent jusqu'à ce que la tête rotative soit au niveau.
5. La tête rotative se met à tourner après la mise à niveau et les voyants demeurent allumés.

REMARQUE : Lorsque le laser n'est pas compris dans la plage de mise à niveau, la tête rotative cesse de tourner, le laser s'éteint, le transmetteur émet un bip et les voyants de mise à niveau (F, G) clignotent.

MODE
DE MISE
À
NIVEAU



MODE
VERTICAL



Utilisation du laser en mode manuel

Pour activer le mode manuel, enfoncer le bouton manuel (D) pendant aux moins deux secondes. Le laser n'effectuera pas de mise à niveau et les voyants de mise à niveau (F, G) ne s'allumeront pas en mode manuel. le mode manuel peut être utilisé soit pour une orientation horizontale ou verticale.

Utilisation du laser en mode vertical

Le laser peut être positionné selon une orientation verticale. Le laser n'effectuera pas de mise à niveau en mode vertical.

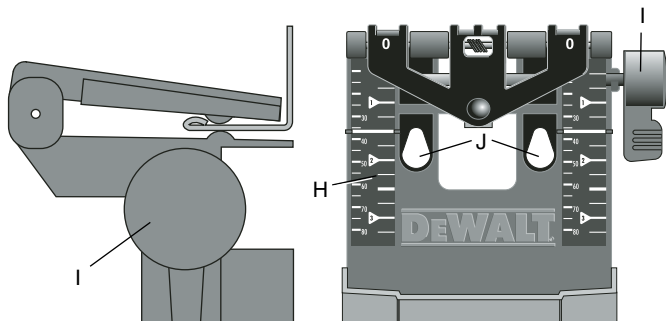
1. Placez le laser sur une surface lisse, à un endroit où il ne sera pas perturbé.
2. Positionnez le laser à la verticale comme il est indiqué.
3. Le laser doit être en mode manuel lorsqu'il est utilisé selon une orientation verticale.
4. Allumez le laser en enfonçant le bouton MARCHE/ARRÊT (C).

Installation au mur

Le laser rotatif DW076 est muni d'un support mural (DW0770) permettant de fixer l'outil à un rail ou à une moulure de plafond en vue d'installer un plafond insonorisant. Pour installer l'outil au mur, on doit suivre les directives suivantes :

⚠ MISE EN GARDE : Avant de fixer le niveau laser à un rail mural ou à une moulure de plafond, on doit s'assurer que ce dernier est solidement assujéti au mur.

1. Fixer le laser au support mural.
2. Placer l'échelle de mesure du support mural (H) devant soi, puis tourner le bouton de verrouillage du support mural (I) vers soi afin d'en ouvrir les mâchoires.
3. Fixer ces dernières autour du rail ou de la moulure (voir l'illustration), puis replacer le bouton de verrouillage afin de refermer les mâchoires sur le rail. S'assurer que le bouton de verrouillage est fermement verrouillé avant de continuer.

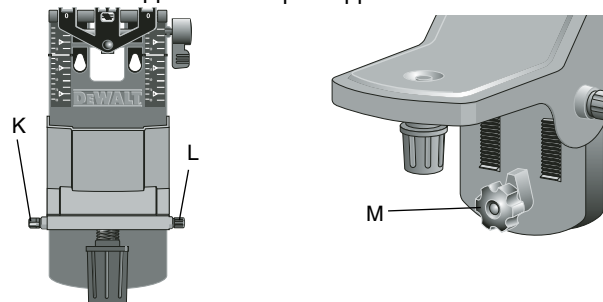


⚠ MISE EN GARDE : Lorsqu'on utilise un support mural, toujours accrocher le niveau laser au plafond au moyen du crochet prévu à cette fin ou d'un dispositif semblable afin de s'assurer qu'il est bien retenu au mur. Passer un fil à travers la poignée/cage métallique de protection. On peut aussi utiliser des vis pour assujettir l'outil directement au mur. Les trous (J) prévus à cette fin sont situés sur le support mural, près des échelles de mesure.

4. On peut régler l'outil verticalement jusqu'à la hauteur de décalage appropriée. Pour modifier la hauteur, desserrer le bouton de réglage à pignon et crémaillère (K) situé à gauche du support mural.
5. Tourner le bouton de réglage à pignon et crémaillère (L) situé à droite du support mural afin de déplacer le niveau vers le haut ou vers le bas, à la hauteur appropriée; effectuer le réglage de précision au moyen de l'échelle de mesure du support mural.

REMARQUE : Il pourrait s'avérer utile de mettre le laser en marche et de faire pivoter la tête rotative de manière à faire paraître un point sur l'une des échelles du laser. Puisque le point marqué à l'aide de la carte indicatrice de cibles DEWALT se projette à 38,1 mm (1-1/2 po), il est plus facile de régler la hauteur de décalage à cette distance, sous l'angle du mur.

6. Une fois le laser positionné à la hauteur voulue, serrer le bouton de verrouillage à pignon et crémaillère afin de maintenir le réglage.
7. Au moyen du bouton de nivellement (M), choisir une position horizontale approximative par rapport au mur.



ACCESSOIRES DU LASER

Les accessoires recommandés pour cet outil sont vendus séparément dans le centre de service de votre région.

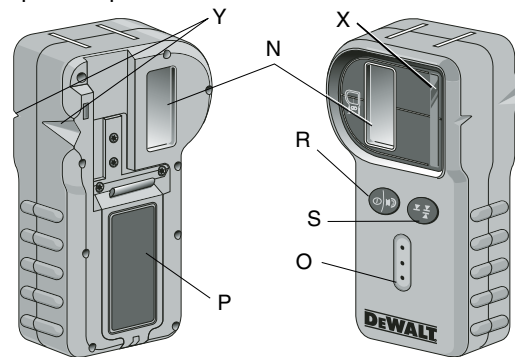
⚠ MISE EN GARDE : L'usage d'un accessoire non recommandé peut présenter un danger. N'utiliser que des accessoires DEWALT conçus pour être utilisés avec ce produit.

Pour obtenir plus d'information sur les accessoires, communiquer avec DEWALT Industrial Tool Company, 701 East Joppa Road, Baltimore, MD 21286 aux États-Unis, ou composer le 1 800 433-9258. Visiter notre site Web au www.dewalt.com pour consulter notre catalogue.

Détecteur laser numérique : DW0772

Certaines trousse de laser comprennent un détecteur laser numérique DEWALT. Le détecteur laser numérique DEWALT vous permet de repérer le faisceau laser émis par un laser rotatif dans un milieu soumis à lumière vive ou pour une portée étendue. Le

détecteur peut être utilisé tant à l'intérieur qu'à l'extérieur, là où il est difficile de voir le faisceau du laser. Le détecteur ne doit pas être utilisé avec les lasers non rotatifs, il est toutefois compatible avec la plupart des lasers à faisceau rouge ou à faisceau à infrarouge (invisible) rotatif vendus sur le marché. Il peut être réglé de manière à indiquer l'emplacement du faisceau au 1/8 po près ou au 1/25 po près. Le détecteur émet des signaux visuels, dans la fenêtre d'affichage (N), et des signaux sonores, par le haut-parleur (O), pour indiquer l'emplacement du faisceau laser.



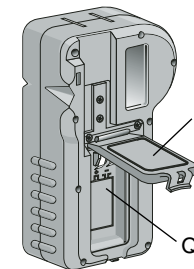
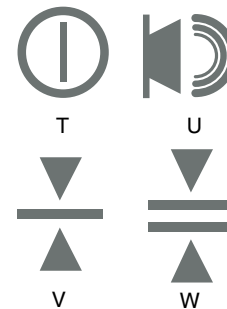
Le détecteur laser numérique DEWALT peut être utilisé avec ou sans la pince. Lorsqu'il est utilisé avec la pince, le détecteur peut être positionné sur une barre graduée, une mire de nivellement, un montant ou un poteau.

PILES

Le détecteur laser numérique est alimenté par une pile de 9 V. Pour poser la pile incluse, soulevez le couvercle du logement de la pile (P). Placez la pile de 9 V dans son logement, et alignez la pile, comme il est indiqué sur l'icône estampée (Q).

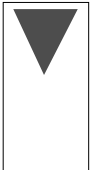
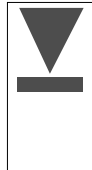
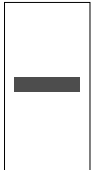
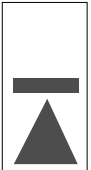

COMMANDES DU DÉTECTEUR

Le détecteur est commandé par le bouton d'alimentation/volume (R) et le bouton de mode d'exactitude (S). Lorsque le bouton d'alimentation/volume est enfoncé une fois, le détecteur s'allume. La partie supérieure de la fenêtre d'affichage montre l'icône ON (T) et l'icône de volume (U). Pour réduire le volume du signal sonore émis par le détecteur lorsqu'il détecte un faisceau laser, enfoncez de nouveau le bouton; un des demi-cercles, situés à côté de l'icône de klaxon, disparaît. Pour interrompre le signal sonore, enfoncer le bouton une troisième fois; l'icône de volume disparaît. Le détecteur laser numérique DEWALT est aussi doté d'une fonction d'arrêt automatique. Si un faisceau laser rotatif n'entre pas en contact avec la fenêtre de détection du faisceau ou si aucun bouton n'est enfoncé, le détecteur s'arrêtera de lui-même au bout de 30 minutes.



Lorsque le détecteur est allumé, la partie inférieure de la fenêtre montre une icône du mode d'exactitude. Soit l'icône du mode d'exactitude de $\pm 1/25$ po (V) ou de $\pm 1/8$ po (W) apparaîtra. Lorsque l'icône du mode d'exactitude de $\pm 1/25$ po apparaît, cela indique que le détecteur donne une lecture « au niveau du sol » uniquement si le faisceau laser se trouve au niveau du sol ou à un maximum de 1/25 po au-dessus ou sous le niveau du sol. Lorsque l'icône du mode d'exactitude de 1/8 po apparaît, cela signifie que le

détecteur donnera une lecture « au niveau du sol » si le faisceau laser se trouve au niveau du sol ou à environ 1/8 po au-dessus ou sous le niveau du sol. Enfoncez le bouton du mode d'exactitude (S) une fois pour changer le mode d'exactitude.

INDICATORS					
	Légèrement		Légèrement		
	Au-dessus du niveau du sol	Au-dessus du niveau du sol	Au niveau du sol	sous le niveau du sol	sous le niveau du sol
Signaux signaux	bip rapide	bip rapide	bip régulier	bip lent	bip lent
icônes affichées					

Utilisation du détecteur

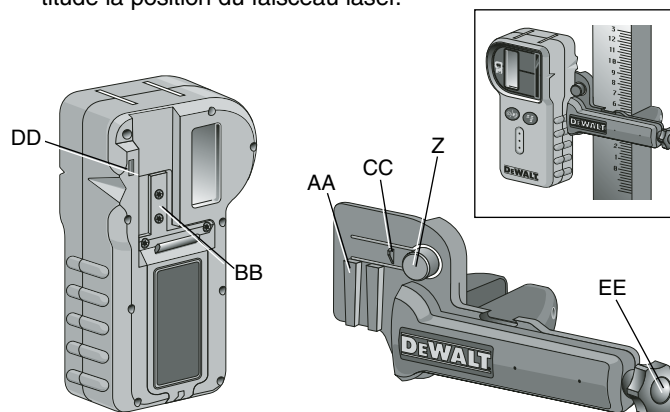
1. Configurez et positionnez le laser rotatif que vous utiliserez selon les directives du fabricant. Allumez le laser, puis assurez-vous qu'il tourne et qu'il émet un faisceau laser.

REMARQUE : Ce détecteur a été conçu pour être utilisé uniquement avec un laser rotatif. Le détecteur ne fonctionnera pas avec un niveau laser au faisceau stationnaire.

- Allumez le détecteur en enfonçant le bouton d'alimentation/volume (R).
- Réglez le volume comme vous le voulez, selon les indications données à la section précédente **Commandes du détecteur**.
- Positionnez le détecteur de manière à ce que sa fenêtre (X) soit vis-à-vis le faisceau laser produit par le laser rotatif. Déplacez

le détecteur vers le haut ou le bas, dans la zone approximative du faisceau, jusqu'à ce que le détecteur soit centré. Pour obtenir de l'information sur les témoins de la fenêtre d'affichage et les voyants du signal sonore, reportez-vous au tableau intitulé **Indicateurs**.

- Utilisez les repères de marquage (Y) pour marquer avec exactitude la position du faisceau laser.



MONTAGE SUR UNE BARRE GRADUÉE

- Pour fixer votre détecteur à une barre graduée, fixez d'abord le détecteur à la pince en le poussant sur le loquet de serrage (Z). Glissez les rails sur la pince (AA), autour du rail du détecteur (BB), de manière à ce que le loquet (CC) de la pince s'encastre dans le trou du loquet (DD) du détecteur.
- Ouvrez les mâchoires de la pince. Pour ce faire, tournez le bouton (EE) de la pince dans le sens antihoraire.
- Positionnez le détecteur à la hauteur désirée, puis tournez le bouton de la pince dans le sens horaire pour la fixer sur la barre.

4. Pour effectuer des réglages de hauteur, desserrez légèrement la pince, repositionnez, puis resserrez.

Nettoyage et rangement du détecteur

- La saleté et la graisse peuvent être enlevées de la surface extérieure du détecteur au moyen d'un chiffon ou d'une brosse douce non métallique.
- Le détecteur laser numérique DEWALT est étanche. Si vous échappez le détecteur dans la boue, le béton fluide ou une substance semblable, arrosez simplement le détecteur pour le nettoyer. N'utilisez pas d'eau sous pression provenant par exemple d'un nettoyeur à pression.
- Le meilleur endroit de rangement est celui qui est frais et sec, loin de toute lumière directe et de température excessive (chaleur ou froid).

Réparation du détecteur

À l'exception des piles, aucune pièce du détecteur laser numérique ne peut être réparée par l'utilisateur. Ne démontez pas l'appareil. Toute altération non autorisée du détecteur laser annulera les garanties.

Dépannage du détecteur

LE DÉTECTEUR NE S'ALLUME PAS

- Enfoncez et relâchez le bouton d'alimentation/volume.
- Vérifiez si la pile est en place et au bon endroit.
- Si le détecteur est très froid, laissez-le se réchauffer dans un endroit chauffé.
- Remplacez la pile de 9 V. Allumez le détecteur.
- Si le détecteur ne s'allume toujours pas, apportez-le à un centre de réparation DEWALT.

LE HAUT-PARLEUR DU DÉTECTEUR N'ÉMET AUCUN SON

- Assurez-vous que le détecteur est allumé.

- Enfoncez le bouton d'alimentation/volume. Il passera d'élevé à bas, puis à sourdine.
- Assurez-vous que le laser rotatif tourne et qu'il émet un faisceau laser.
- Si le détecteur n'émet toujours pas de son, apportez-le à un centre de réparation DEWALT.

LE DÉTECTEUR NE RÉPOND PAS À MON NIVEAU LASER STATIONNAIRE

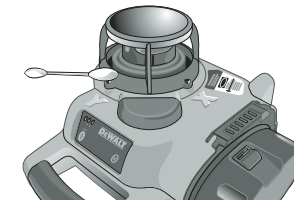
- Le détecteur laser numérique DEWALT a été conçu pour fonctionner uniquement avec les lasers rotatifs.

LE DÉTECTEUR ÉMET UN SON, MAIS LA FENÊTRE D'AFFICHAGE À CRISTAUX LIQUIDES NE FONCTIONNE PAS.

- Si le détecteur est très froid, laissez-le se réchauffer dans un endroit chauffé.
- Si la fenêtre d'affichage à cristaux liquides ne fonctionne toujours pas, apportez le détecteur à un centre de réparation DEWALT.

ENTRETIEN DU LASER

1. Dans certaines conditions, la lentille de verre, logée à l'intérieur de la tête rotative, peut accumuler de la saleté ou des débris. Cela nuira à la qualité du faisceau et à la plage de fonctionnement. La lentille doit être nettoyée avec un coton-tige humecté d'eau comme il est indiqué.
2. Le protecteur de caoutchouc flexible peut être nettoyé avec un chiffon non pelucheux comme un chiffon de coton. UTILISEZ UNIQUEMENT DE L'EAU — N'UTILISEZ PAS de nettoyants ou de solvants. Laissez sécher l'appareil avant de le ranger.



3. Afin de maintenir l'exactitude de votre travail, vérifiez souvent l'étalonnage du laser. Reportez-vous à la section **Vérification de l'étalonnage sur place** du présent manuel.
4. Les vérifications d'étalonnage et les travaux de réparation peuvent être effectués par les centres de réparation DEWALT. En vertu du contrat d'entretien gratuit d'un an DEWALT, vous avez droit à deux vérifications d'étalonnage gratuites.
5. Lorsque le laser n'est pas utilisé, rangez-le dans la boîte de rangement incluse.
6. Ne rangez pas votre laser dans la boîte s'il est mouillé. Asséchez les pièces extérieures avec un chiffon propre et sec, puis laissez-le sécher à l'air libre.
7. Ne rangez pas votre laser à une température inférieure à $-18\text{ }^{\circ}\text{C}$ ($0\text{ }^{\circ}\text{F}$) ou supérieure à $41\text{ }^{\circ}\text{C}$ ($105\text{ }^{\circ}\text{F}$).

NETTOYAGE

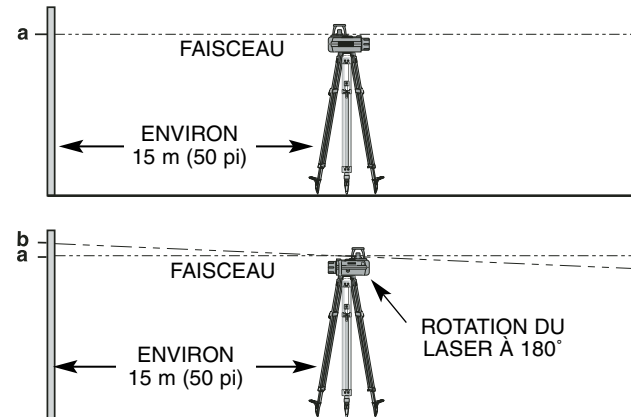
Les pièces extérieures en plastique peuvent être nettoyées avec un chiffon humecté et un détergent doux. Bien que ces pièces soient hautement résistantes aux solvants, n'utilisez JAMAIS de solvants. N'utilisez jamais d'air comprimé pour nettoyer le laser.

Vérification de l'étalonnage sur place

Les vérification d'étalonnage sur place doivent être réalisées fréquemment. Cette section donne des directives permettant de réaliser des vérifications d'étalonnage simples sur place de votre laser rotatif DEWALT. Les vérifications d'étalonnage sur place ne permettent pas d'étalonner le laser. C'est-à-dire que ces vérifications ne corrigent pas les erreurs de mise à niveau ou la capacité d'aplomb du laser. Les vérifications indiquent plutôt si le laser procure ou non une mise à niveau correcte et un aplomb. Ces vérifications ne peuvent remplacer l'étalonnage professionnel réalisé par un centre de réparation DEWALT.

VÉRIFICATION D'ÉTALONNAGE DU MODE DE MISE À NIVEAU

1. Installez un trépied à 15 m (50 pi) d'un mur comme il est illustré. Assurez-vous que la tête du trépied est au niveau au moyen d'une fiole à bulles.
2. Fixez le laser rotatif sur un trépied, de manière à ce que l'axe X soit dirigé loin du mur comme il est illustré.
3. Allumez le laser en enfonçant le bouton marche/arrêt.
4. Marquez le centre de la hauteur du faisceau sur le mur (a).
5. Tournez le laser de 180° de manière à ce que l'axe X soit dirigé vers le mur, puis marquez le centre de la hauteur du faisceau (b).
6. Si la distance séparant les deux repères (a, b) est inférieure à 3 mm (1/8 po), cela signifie que le laser est bien étalonné.
7. Refaites les étapes précédentes pour l'axe Y de manière à diriger d'abord l'axe Y loin du mur, puis tournez de nouveau le laser de 180° .



⚠ ¡ADVERTENCIA! Por favor lea detenidamente el manual de instrucciones antes de utilizar el producto; el no cumplir con las instrucciones puede resultar en choque eléctrico, incendio y (o) serias lesiones personales.

CONSERVE ESTAS INSTRUCCIONES

Instrucciones de seguridad de los sistemas láser

- **No opere el láser en atmósferas explosivas como en la presencia de polvo, gases o de líquidos inflamables;** las herramientas eléctricas producen chispas que pueden incendiar las partículas ambientales o los gases.
 - **Utilice el láser únicamente con las baterías señaladas;** el uso de cualquier otro tipo de batería puede ocasionar el riesgo de incendio.
 - **Mantenga toda herramienta que no esté en uso fuera del alcance de los niños y de las personas no entrenadas;** las herramientas son peligrosas en manos de personas inexpertas.
 - **Utilice únicamente los accesorios que el fabricante recomienda según el modelo del láser;** algunos accesorios apropiados para un tipo de láser pueden resultar peligrosos al utilizarse con otro.
 - **El mantenimiento de la herramienta deberá ser efectuado únicamente por personal de servicio calificado.** El servicio o mantenimiento realizado por personal inexperto puede resultar en el riesgo de lesiones serias. A fin de localizar el centro de servicio DEWALT más cercano, llame gratis al 1-800-4-DEWALT (1-800-433-9258) o visite nuestro sitio Web: <http://www.dewalt.com>.
 - **No utilice telescopios ni dispositivos de aumento para divisar el rayo láser;** el uso de tales accesorios puede resultar en serias lesiones de los ojos.
- **No coloque el láser de manera que alguien pueda fijar la vista en el rayo láser intencional o involuntariamente;** el hacerlo puede resultar en serias lesiones de la vista.
 - **Apague la herramienta cuando no esté en uso,** a fin de evitar el riesgo de fijar la vista en el rayo láser.
 - **El mantenimiento de la herramienta DEBE ser efectuado únicamente en un centro de servicio calificado.** El servicio o mantenimiento realizado por personal inexperto puede resultar en el riesgo de lesiones de gravedad.
 - **No desarme el sistema láser;** el interior de la herramienta no contiene partes de utilidad para el consumidor.
 - **No opere el láser cerca de los niños ni permita que los niños utilicen el láser.** Esto podría resultar en serias lesiones de la vista.
 - **No retire ni mutile las etiquetas de advertencia.** Si las etiquetas no permanecen en la herramienta, el usuario o demás personas pueden ser expuestas a la radiación del láser inadvertidamente.
 - **Apoye el láser firmemente sobre una superficie plana.** El láser se puede dañar u ocasionar serias lesiones personales si se llegase a caer.
 - **Vístase apropiadamente. No lleve ropa holgada ni joyería. Cubra o sujete el cabello largo hacia atrás.** Mantenga la ropa, guantes, joyería o el cabello largo alejado de las partes móviles de la herramienta. Los escapes de aire a veces cubren las partes móviles de la herramienta y éstos también deben ser evitados.

⚠ PRECAUCIÓN: El uso de cualquier control o ajuste, o la ejecución de procedimientos no señalados en este manual puede resultar en la exposición peligrosa a la radiación emitida por el láser.

⚠ ¡ADVERTENCIA! NO DESARME EL LÁSER ROTATIVO. El interior de esta herramienta no contiene partes de utilidad para el consumidor. El desarmar el láser rotativo anulará de inmediato las garantías del producto. A fin de evitar cualquier

exposición peligrosa a la radiación del láser, no altere ni modifique este producto de ninguna manera.

- La etiqueta de su herramienta puede incluir los siguientes símbolos.

V.....voltios

mWmili vatio

☀.....símbolo de advertencia del láser

nmlongitud de honda en nanómetros

IIIaláser clase IIIa

- Para mayor conveniencia y seguridad, esta herramienta incluye las siguientes etiquetas de seguridad:

EVITE TODA EXPOSICIÓN: EMISIÓN DE RADIACIÓN LÁSER A TRAVÉS DE ESTAS ABERTURAS

PELIGRO: RADIACIÓN LÁSER. EVITE LA EXPOSICIÓN DIRECTA DE LA VISTA.

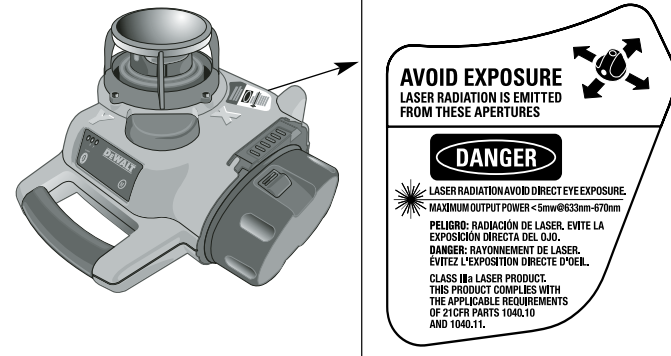
Información sobre el sistema láser

El láser rotativo inalámbrico modelo DW076 está catalogado como un PRODUCTO LÁSER CLASE IIIA y cumple con el requisito apropiado del título 21 del código de regulaciones federales asignado por el departamento de salud, educación y asistencia social; por la administración de drogas y alimentos y por el centro de control de dispositivos y salud radiológica.

Estos aparatos cumplen con las normas de seguridad de la sección quince de la comisión federal de comunicaciones FCC y el uso de los mismos estará sujeto a las siguientes condiciones: (1) estos aparatos no deberán ocasionar ningún tipo de interferencia dañina, (2) estos aparatos deberán aceptar cualquier interferencia recibida aunque ésta ocasione un funcionamiento indeseable.

NOTA: Este equipo ha sido sometido a prueba y cumple con los requisitos de los aparatos digitales clase B, conforme a las normas de la sección quince de la comisión federal de comunicaciones FCC. Estos requisitos han sido trazados a fin de brindar protección

contra cualquier interferencia dañina en las instalaciones residenciales. Este equipo genera, utiliza y puede emitir frecuencia radioeléctrica. Si el equipo no se instala ni se utiliza según las instrucciones, podría ocasionar interferencia dañina a las radiocomunicaciones.



No existe ninguna garantía que no habrá interferencia en determinada instalación. Si este equipo llegase a ocasionar interferencia en la recepción de la radio o la televisión (esto se puede verificar encendiendo y apagando los aparatos), se recomienda considerar los siguientes pasos:

- Oriente o reubique la antena receptora.
- Aumente la distancia entre el equipo y el receptor.
- Asegúrese que el equipo y el receptor no estén conectados a la misma toma de corriente ni al mismo circuito.
- Para mayor asistencia, por favor consulte con el distribuidor del producto o con un técnico de radios y televisores.

Los aparatos digitales clase B cumplen con las normas canadienses ICES-003.

Instrucciones de seguridad importantes para las unidades de alimentación

Esta herramienta funciona con baterías DEWALT de 9,6, 12, 14,4 o 18 voltios. Cuando solicite unidades de alimentación de repuesto, no olvide indicar el número de catálogo y el voltaje. Las unidades de alimentación con tiempo de operación extendido duran más que las unidades de alimentación tradicionales. Consulte el cuadro al final de este manual para ver la compatibilidad entre cargadores y unidades de alimentación.

NOTA: Su herramienta puede utilizar unidades de alimentación tradicionales o de tiempo de operación extendido. Sin embargo, asegúrese de seleccionar el voltaje apropiado. Las baterías pierden su carga lentamente cuando no se encuentran en el cargador. El mejor lugar para almacenar la batería es en el cargador, en todo momento.

La unidad de alimentación no viene completamente cargada de fábrica. Antes de usar la unidad de alimentación y el cargador, lea las siguientes instrucciones de seguridad. A continuación, siga los procedimientos de carga indicados.

LEA TODAS LAS INSTRUCCIONES

- **No incinere la unidad de alimentación, aunque esté completamente dañada o gastada.** Las unidades de alimentación pueden explotar si se queman.
- **Las celdas de la unidad de alimentación pueden tener fugas pequeñas de líquido bajo condiciones extremas de uso o temperatura.** Esto no indica una falla. Sin embargo, si el sello externo ha sido roto y su piel entra en contacto con el líquido:
 - a. Lave rápidamente con jabón y agua.
 - b. Neutralice con un ácido suave como jugo de limón o vinagre.
 - c. Si el líquido de la batería le entra a los ojos, lávelos con agua limpia por al menos 10 minutos y hágase ver por un médico

de inmediato. (**NOTA MÉDICA:** El líquido es una solución de 25–35% de hidróxido de potasio).

- Cargue las unidades de alimentación sólo en cargadores DEWALT.
- **NO salpique con ni sumerja en agua u otros líquidos.**
- **No guarde ni use la herramienta y unidad de alimentación en lugares donde la temperatura podría alcanzar o superar los 40°C (105°F), tales como cobertizos o construcciones de metal en verano.**

⚠ PELIGRO: Peligro de electrocución. Nunca intente abrir la unidad de alimentación por ningún motivo. Si la caja plástica de la unidad de alimentación se triza o daña, no introduzca la batería en el cargador. Podría producir choque eléctrico o electrocución. Lleve las unidades de alimentación dañadas a un centro de servicio para su reciclaje.

NOTA: Los capuchones para transporte y almacenaje de las baterías se proporcionan para usarse siempre que la batería esté fuera de la herramienta o del cargador. Retire el capuchón antes de colocar la batería en la herramienta o en el cargador.

⚠ ADVERTENCIA: Peligro de incendio. No guarde ni lleve baterías, unidades de alimentación o pilas en un lugar donde sus terminales pudieran entrar en contacto con algún objeto metálico. Por ejemplo, no ponga baterías, unidades de alimentación o pilas dentro de un delantal o bolsillo, una caja de herramientas o de almacenamiento del producto, un cajón, etc., junto con clavos sueltos, tornillos, llaves, etc. si no están debidamente protegidas. **El transporte de baterías, unidades de alimentación o pilas puede causar un incendio si sus terminales entran en contacto sin querer con materiales conductores como llaves, monedas, herramientas de mano y otros por el estilo.** De hecho, el reglamento sobre materiales peligrosos (HMR) del Ministerio de Transporte de los Estados Unidos prohíbe el transporte de baterías, unidades de alimentación o pilas en cualquier tipo de transporte terrestre o aéreo



(es decir, embaladas en maletas y maletines de mano) A NO SER que estén debidamente protegidas de hacer cortocircuito. Por lo tanto, cuando transporte baterías, unidades de alimentación o pilas individuales, asegúrese que sus terminales estén protegidos y debidamente aislados de materiales que pudieran entrar en contacto con ellos y causar un cortocircuito.

El sello RBRC™

El sello RBRC™ (corporación de reciclaje de baterías recargables) que aparece en la batería de níquel-cadmio o en (el paquete) indica que los costos de reciclar la batería o (el paquete) una vez inservible han sido ya cubiertos por DEWALT. En algunas áreas, se prohíbe desechar las baterías de níquel-cadmio inservibles en la basura o en los desperdicios de la municipalidad y es por ello que el programa RBRC brinda una alternativa a fin de ayudar a preservar el medio ambiente.



La RBRC en colaboración con DEWALT y otros usuarios de baterías, ha establecido programas en los Estados Unidos de América a fin de facilitar la recolección de las baterías de níquel-cadmio una vez gastadas. Ayude a proteger el medio ambiente y a preservar los recursos naturales; devuelva las baterías inservibles de níquel-cadmio a los establecimientos o centros de servicio autorizado DEWALT que participan en el programa de reciclaje. Puede también ponerse en contacto con el centro de reciclaje de su localidad para que le indiquen cómo y dónde desechar las baterías gastadas.

RBRC^{MC} es una marca registrada de Rechargeable Battery Recycling Corporation.

Instrucciones importantes de seguridad para cargadores de batería

CONSERVE ESTAS INSTRUCCIONES: Este manual contiene instrucciones de seguridad para los cargadores de batería.

- Antes de usar el cargador, lea todas las instrucciones y advertencias que se encuentren en el cargador, la unidad de alimentación y el producto que usa la unidad de alimentación.

▲ **PELIGRO:** Peligro de electrocución. Hay 120 voltios en los terminales de carga. No tocar con objetos conductores. Podría producir choque eléctrico o electrocución.

▲ **ADVERTENCIA:** Peligro de descarga eléctrica. No permita que ningún líquido se introduzca en el cargador. Podría producir choque eléctrico.

▲ **PRECAUCIÓN:** Peligro de quemadura. Para reducir el riesgo de lesión, sólo cargue baterías recargables de níquel cadmio DEWALT. Otros tipos de baterías podrían reventarse y causar lesiones corporales y otros daños.

▲ **PRECAUCIÓN:** Bajo ciertas condiciones, cuando el cargador está enchufado, los contactos de carga expuestos dentro del cargador pueden hacer cortocircuito si entran en contacto con algún material ajeno. Los materiales ajenos de naturaleza conductora, como la lana de acero, el papel de aluminio o cualquier acumulación de partículas metálicas, deben conservarse alejados de las cavidades del cargador. Desenchufe siempre el cargador cuando no haya una unidad de alimentación en su cavidad. Desenchufe el cargador antes de intentar limpiarlo.

- **NO intente cargar la unidad de alimentación con otros cargadores que no sean los descritos en este manual.** El cargador y la unidad de alimentación fueron específicamente diseñados para trabajar en conjunto.
- **Estos cargadores no fueron diseñados para ser utilizados para más que cargar las baterías recargables DEWALT.** Cualquier otro uso puede ocasionar incendios, choque eléctrico o electrocución.
- **No esponga el cargador a lluvia o nieve.**
- **Jale del enchufe y no del cable cuando desconecte el cargador.** De esta forma se reduce el riesgo de daño al enchufe y cable.

- **Asegúrese que el cable no sea ubicado de manera que podría ser pisado, causar que alguien tropiece con él o ser expuesto a otro tipo de daños.**
- **No se debería usar un alargador a no ser que sea absolutamente necesario.** El uso de un alargador incorrecto podría resultar en riesgo de incendio, descarga eléctrica o electrocución.
- **Los hilos del alargador deben ser de un calibre apropiado (AWG o American Wire Gauge) para su seguridad.** Mientras menor sea el calibre del hilo, mayor la capacidad del cable. Es decir, un hilo calibre 16 tiene mayor capacidad que uno de 18. Cuando se utilice más de un alargador para completar el largo total, asegúrese que los hilos de cada alargador tengan el calibre mínimo.

Calibres mínimos recomendados para alargadores

Longitud total del cable

25 pies	50 pies	75 pies	100 pies	125 pies	150 pies	175 pies
7,6 m	15,2 m	22,9 m	30,5 m	38,1 m	45,7 m	53,3 m

Calibre AWG

18	18	16	16	14	14	12
----	----	----	----	----	----	----

- **No coloque ningún objeto sobre el cargador ni coloque éste sobre una superficie blanda que pueda bloquear las ranuras de ventilación y resultar en un calor interno excesivo.** Coloque el cargador en un lugar alejado de cualquier fuente de calor. El cargador se ventila a través de las ranuras que se encuentran en la parte superior e inferior de la caja protectora.
- **No opere el cargador con un cable o enchufe dañado** - cámbielos de inmediato.
- **No utilice el cargador si ha recibido algún golpe agudo, si se ha caído o si presenta cualquier otro daño.** Llévelo a un centro de servicio autorizado.
- **No desarme el cargador; llévelo a un centro de servicio autorizado cuando deba ser reparado.** Si es reensamblado

incorrectamente, puede causar choque eléctrico, electrocución o incendios.

- **Desenchufe el cargador antes de intentar limpiarlo. Esto reducirá el riesgo de choque eléctrico.** Retirar la batería no reducirá este riesgo.
- **NUNCA** intente conectar 2 cargadores entre sí.
- **El cargador fue diseñado para operar con corriente doméstica estándar (120 voltios). No intente usarlo con ningún otro voltaje.** Esto no aplica al cargador vehicular.

Utilización de la modalidad Tune Up^{MC} Automática

La modalidad Tune-up^{MC} Automática iguala o equilibra los elementos individuales de la unidad de alimentación permitiendo que funcione al máximo de su capacidad. Las unidades de alimentación deberían ser ajustadas semanalmente o después de 10 ciclos de carga y descarga o siempre que la unidad deje de rendir como de costumbre. Para usar el Tune-Up^{MC} Automático, ponga la unidad de alimentación en el cargador y déjela allí por lo menos durante 8 horas. El cargador pasará por las modalidades siguientes.

1. La luz roja parpadeará continuamente para indicar que se ha iniciado el ciclo de carga de 1 hora.
2. Cuando el ciclo de carga de 1 hora haya finalizado, la luz permanecerá encendida de manera continua y dejará de parpadear. Esto indica que la unidad está totalmente cargada y lista para ser usada.
3. Si se deja la unidad de alimentación en el cargador después del ciclo de carga inicial de 1 hora, el cargador iniciará el modo Tune-Up automático. Este modo continúa hasta 8 horas o hasta que los elementos individuales de la unidad de alimentación estén igualados. Entonces la unidad de alimentación está lista para usar y se la puede retirar en cualquier momento durante el modo Tune-up.

riente, tales como generadores o fuentes que convierten corriente continua a corriente alterna, el cargador puede temporalmente suspender su operación, **haciendo destellar la luz roja con dos destellos rápidos seguidos por una pausa**. Esto indica que la fuente de corriente se ha salido de su límite.

PERMANENCIA DE LA UNIDAD DE ALIMENTACIÓN EN EL CARGADOR

El cargador y la unidad de alimentación pueden dejarse conectados con la luz roja encendida indefinidamente. El cargador mantendrá la unidad de alimentación fresca y completamente cargada.

NOTA: La unidad de alimentación perderá su carga lentamente si se retira del cargador. Si no se ha dejado la unidad de alimentación en carga de mantenimiento, puede que sea necesario recargarla antes de usarla nuevamente. La unidad de alimentación también puede perder lentamente su carga si se deja en un cargador que no está enchufado en una toma de corriente alterna adecuada.

UNIDADES DE ALIMENTACIÓN DÉBILES: Los cargadores también pueden detectar una batería débil. Estas baterías aún son utilizables, pero no se puede esperar de ellas el mismo rendimiento. En tales casos, aproximadamente 10 segundos después de introducir la batería, el cargador emitirá 8 'bip' rápidos para indicar el estado débil de la batería. A continuación el cargador procederá a cargar la batería hasta su máxima capacidad posible.

Notas importantes sobre la carga

1. Se puede obtener una mayor duración y un mejor rendimiento si la unidad de alimentación se carga a una temperatura ambiental de 18 - 24°C (65 - 75°F). NO cargue la unidad de alimentación a una temperatura ambiental inferior a +4,5°C (+40°F) o superior a +40,5°C (+105°F). Esto es muy importante y se evitarán graves daños en la unidad de alimentación.
2. Puede que el cargador y la unidad de alimentación se calienten ligeramente durante el proceso de carga. Esto es normal y no representa ningún problema. Para facilitar el enfriamiento de la unidad de alimentación después del uso, evite colocar el

cargador o la unidad de alimentación en un lugar cálido, como un cobertizo metálico o un remolque sin aislamiento térmico.

3. Si la unidad de alimentación no se carga correctamente:
 - a. -Pruebe la corriente del receptáculo, enchufando una lámpara u otro dispositivo.
 - b. Compruebe que el receptáculo no esté conectado a un interruptor de luz que corte la corriente al apagar la luz.
 - c. Mueva el cargador y la unidad de alimentación a un lugar donde la temperatura ambiental sea aproximadamente 18 - 24°C (65 - 75°F).
 - d. Si el problema de carga continúa, lleve la herramienta, unidad de alimentación y el cargador a su centro de servicio local.
4. Se deberá recargar la unidad de alimentación cuando deje de producir suficiente energía para tareas que se ejecutaban con facilidad anteriormente. NO CONTINÚE usándola bajo estas circunstancias. Siga el procedimiento de carga. También puede cargar una unidad de alimentación que haya sido usada parcialmente cuando lo desee, sin dañarla.
5. Bajo ciertas condiciones, cuando el cargador está enchufado, los contactos de carga expuestos dentro del cargador pueden hacer cortocircuito si entran en contacto con algún material ajeno. Los materiales ajenos de naturaleza conductora, como la lana de acero, el papel de aluminio o cualquier acumulación de partículas metálicas, deben conservarse alejados de las cavidades del cargador. Desenchufe siempre el cargador cuando no haya una unidad de alimentación en su cavidad. Desenchufe el cargador antes de intentar limpiarlo.
6. No congele ni sumerja el cargador en agua o cualquier otro líquido.

⚠ ADVERTENCIA: Peligro de descarga eléctrica. No permita que ningún líquido se introduzca en el cargador. Podría producir choque eléctrico.

⚠ PRECAUCIÓN: Nunca intente abrir la unidad de alimentación por ningún motivo. Si la caja plástica de la unidad de alimentación se triza o rompe, llévela a un centro de servicio para su reciclaje.

OPERACIÓN DEL LÁSER

- Asegúrese de que la batería está cargada correctamente. Si el diodo emisor de luz (LED, por su sigla en inglés) de “Energía” (“Power”) está titilando, se debe cargar la batería.
- Para aumentar la duración de cada carga de la batería, apague el láser cuando no se usa.
- Para asegurar la precisión de su trabajo, controle a menudo la calibración del láser. Consulte la sección **Control de calibración de campo** de este manual.
- Antes de intentar utilizar el láser, asegúrese de que la herramienta está colocada sobre una superficie firme y relativamente lisa.
- Marque siempre el centro de la línea o punto láser. Si marca diferentes partes del rayo en momentos diferentes, introducirá un factor de error en sus mediciones.
- Para aumentar la distancia y la precisión operativas, ubique el láser en el medio de su área de trabajo.
- Cuando lo conecta a un trípode o una pared, monte el láser firmemente.
- Cuando trabaja en el interior, una velocidad lenta del cabezal rotatorio producirá una línea visiblemente más brillante, una velocidad más rápida del cabezal rotatorio producirá una línea visiblemente sólida.
- Para aumentar la visibilidad del rayo, utilice anteojos para realce de láser (no se incluyen) o utilice una Tarjeta de blanco para láser (no se incluye) para ayudar a ubicar el rayo.
- Los cambios extremos de temperatura pueden provocar movimientos o cambios en las estructuras de construcción, trípodes metálicos, equipos, etc. que pueden afectar la precisión. Controle su precisión con frecuencia mientras trabaja.

- Si se deja caer el láser o ha sufrido un golpe severo, haga controlar el sistema de calibración por un centro de servicio calificado antes de utilizarlo.

NOTA: El láser rotativo modelo DW076 no tiene ninguna capacidad para control remoto.

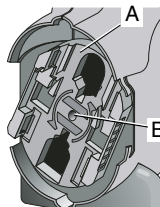
ESPECIFICACIONES	
Fuente de luz	Diodo láser semiconductor
Longitud de ondas del láser	630 – 680 nm visible
Potencia del láser	<5mW, PRODUCTO LÁSER DE CLASE IIIa
Velocidad de rotación	aprox. 600 rpm
Escala de autonivelación	± 5°
Alcance de visibilidad en interiores	61 metros (200 pies) de diámetro
Alcance con detector	450 metros (1500 pies) de diámetro
Precisión de nivel	± 3 mm por 31 metros (± 1/8 pulgadas por 100 pies)
Fuente de alimentación	Baterías DeWALT de 9,6V–18V
Temperatura de funcionamiento	-5°C a 50°C (23°F a 122°F)
Temperatura de almacenamiento	-20°C a 70°C (-4°F a 158°F)
Resistente al agua	IPX4
Uso	En espacios interiores y al aire libre
Altitud	Hasta 2000 metros (6560 pies)
Humedad relativa máxima	95%
Grado de contaminación	2

Instalación y remoción del paquete de baterías

NOTA: Asegúrese que las baterías estén completamente cargadas antes de instalarlas.

INSTALACIÓN DE LAS BATERÍAS

1. Gire la placa del adaptador de las baterías (A) de manera que la guía apropiada de 9,6, 12, o 14,4 voltios o la de 18 voltios coincida con los contactos, orientados hacia adentro de la guía.
2. Deslice las baterías firmemente hasta encajar en el compartimiento.



REMOCIÓN DE LAS BATERÍAS

1. Presione la batería despacio hacia adentro, presione los botones de liberación y retire las baterías del compartimiento.
2. El pasador eyector (B) facilita la remoción de las baterías.
3. Para cargar las baterías, introduzca el paquete en el cargador y siga los mismos pasos de instalación señalados en este manual.

Panel de control

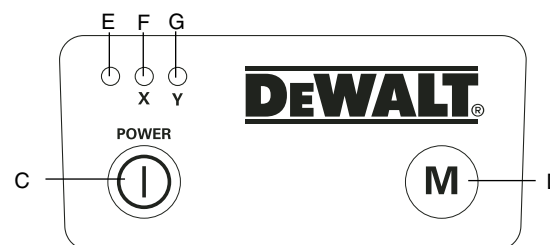
El láser es controlado por el botón de encendido/apagado (ON/OFF) (C) y el botón de rotación manual (D). En el panel de control hay tres luces indicadoras, diodos emisores de luz (LED, por su sigla en inglés) de energía (E), nivelador del eje X (F) y nivelador del eje Y (G).

ENCENDIDO DEL LÁSER

1. Inserta la fuente de alimentación totalmente cargada en la ranura correcta en la placa del adaptador de batería. Asegúrese de que la batería queda colocada firmemente.
2. Presione suavemente el botón de encendido/apagado (ON/OFF) para encender (ON) el láser. Se encenderá el diodo láser y se iluminará el diodo emisor de luz (LED, por su sigla

en inglés) de energía (E). Las luces de nivelación de los ejes X e Y (F, G) titilarán indicando que el láser se está nivelando automáticamente.

NOTA: El cabezal sólo rotará momentáneamente si el láser se está nivelando. El cabezal comenzará o reanudará la rotación una vez que el láser esté nivelado.



APAGADO DEL LÁSER

Presione suavemente el botón de encendido/apagado (ON/OFF) para apagar (OFF) el láser. Ya no estará iluminado el diodo emisor de luz (LED, por su sigla en inglés) de energía.

Uso del láser sobre un trípode

1. Ubique el trípode firmemente y fíjelo a la altura deseada.
2. Asegúrese de que la parte superior del trípode esté aproximadamente nivelada, el láser sólo se autonivela si la parte superior del trípode está a $\pm 5^\circ$ del nivel. Si el láser está fijado muy fuera de nivel, emitirá un sonido cuando alcance el límite de su escala de nivelación. El láser no sufrirá ningún daño, pero no funcionará en una condición de "fuera de nivel".
3. Asegure el láser al trípode atornillando el vástago roscado del trípode en la rosca hembra de la parte inferior del láser.

NOTA: Asegúrese de que está utilizando un trípode con tornillo roscado 5/8 -11 para lograr un montaje firme.

4. Encienda el láser oprimiendo el botón de encendido/apagado (on/off) (C). El cabezal rotatorio comienza a girar después que la unidad de autonivela.

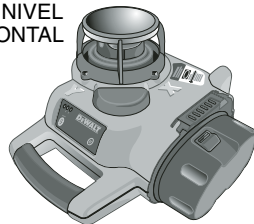
Uso del láser en modo nivel horizontal

El láser se puede colocar directamente sobre el piso o sobre un trípode (según se describe previamente), por ejemplo para usar en carpintería.

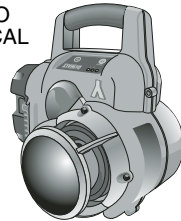
1. Ubique el láser sobre una superficie lisa donde no se lo perturbe.
2. Ubique el láser para fijar nivel según se muestra.
3. Encienda el láser oprimiendo el botón de encendido/apagado (on/off) (C).
4. Las luces indicadoras de nivel (F, G) titilarán hasta que el cabezal rotatorio esté nivelado.
5. Luego de nivelarse, el cabezal rotatorio comienza a girar y las luces indicadoras quedan encendidas permanentemente.

NOTA: Cuando el láser está fuera de la escala de nivelación. El cabezal rotatorio deja de girar, el láser se apaga, y el transmisor emite sonidos y las luces indicadoras de nivel (F, G) titilan.

MODO NIVEL
HORIZONTAL



MODO
VERTICAL



Uso del láser en modo manual

Para activar el modo manual, oprima el botón manual (D) al menos durante dos segundos. El láser no se autonivela y las luces indicadores de nivel (F, G) no se encenderán mientras esté en modo manual. El modo manual se puede utilizar para orientación horizontal o vertical.

Uso del láser en modo vertical

El láser se puede ubicar para utilizarlo para orientación vertical. El láser no se autonivela en modo vertical.

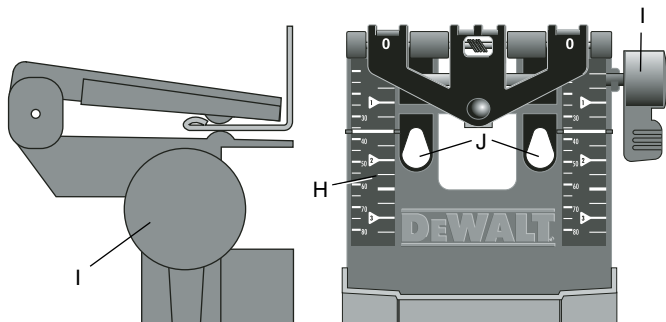
1. Ubique el láser sobre una superficie lisa donde no se lo perturbe.
2. Ubique el láser verticalmente como se muestra.
3. El láser se debe poner en modo manual cuando se lo utiliza para orientación vertical.
4. Encienda el láser oprimiendo el botón de encendido/apagado (ON/OFF) (C).

Montaje de pared

El láser rotativo modelo DW076 ha sido diseñado para funcionar con el montaje de pared modelo DW0770. El montaje de pared es apropiado para fijar la herramienta a los carriles y molduras y facilitar la instalación de techos acústicos y otras aplicaciones de nivelación.

⚠ PRECAUCIÓN: Antes de fijar la herramienta a los carriles del cielo raso, verifique que los carriles estén bien asegurados.

1. Instale el láser en el montaje de pared.
2. Oriente la escala de medición hacia usted (H), gire la perilla de sujeción de la mordaza del montaje (I) hacia usted y abra la mordaza.
3. Coloque la mordaza alrededor del carril tal como aparece en la ilustración, gire la perilla de fijación de la mordaza y asegúrese que la mordaza esté bien afianzada en el carril antes de proceder.

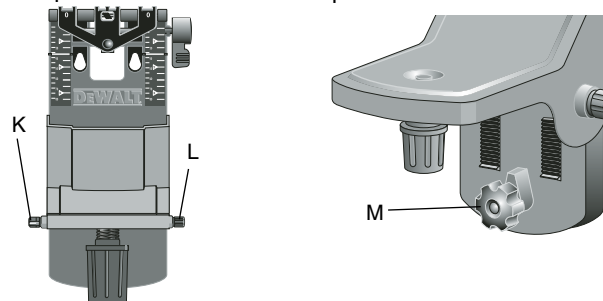


⚠PRECAUCIÓN: Siempre utilice un gancho de suspensión de alambre o de material semejante, además de la mordaza del montaje, para asegurar el nivel láser. Pase el alambre por el mango del nivel láser pero NUNCA a través del marco de metal que protege la unidad. Como medida de refuerzo, se puede utilizar tornillos para fijar el montaje directamente a la pared. Los tornillos (J) se encuentran en el montaje de pared junto a las escalas de medición.

4. La herramienta se puede orientar hacia arriba y hacia abajo hasta alcanzar la altura deseada para trabajar. Para regular la altura, afloje la perilla de fijación de piñón y cremallera (K) al costado izquierdo del montaje de pared.
5. Gire la perilla de ajuste (L) del costado derecho del montaje para orientar el láser hacia arriba o hacia abajo a fin de fijar la altura. Utilice la escala de medición del montaje de pared para establecer una marca precisa.

NOTA: Puede resultar ventajoso encender y apagar el cabezal rotativo a fin de lograr que éste señale una marca en una de las escalas del láser. El blanco de tarjeta DEWALT está marcado a 1-1/2", de manera que resulta más fácil ajustar el desplazamiento del láser a 1-1/2" menor que el ángulo de la pared.

6. Una vez que ajuste el láser a la altura de desplazamiento deseada, apriete la perilla de fijación de piñón y cremallera para no perder el desplazamiento.
7. Utilice la perilla de nivelación de la base (M) para establecer una posición de nivel desde la pared.



ACCESORIOS LÁSER

Los accesorios recomendados para esta herramienta se encuentran a la venta por separado en los centros de servicio DEWALT en su localidad.

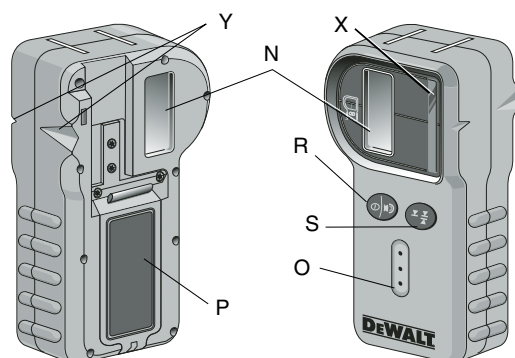
⚠PRECAUCIÓN: El uso de cualquier accesorio no recomendado por el fabricante puede ser peligroso. Utilice únicamente los accesorios DEWALT diseñados para esta herramienta.

Para localizar cualquiera de los accesorios, por favor escriba a DEWALT Industrial Tool Co., 701 East Joppa Road, Baltimore, MD 21286 o llame gratis al 1-800-4-DEWALT (433-9258). Visítenos en Internet: www.dewalt.com para consultar nuestro catálogo.

Detector digital de láser: DW0772

Algunos equipos láser incluyen un detector digital de láser DEWALT. El detector digital de láser DEWALT le encontrará un rayo láser emitido por un láser rotatorio cuando la luz ambiente es muy brillante o las distancias son largas. El detector se puede utilizar en

el interior o al aire libre, cuando es difícil ver el rayo láser. El detector no está diseñado para utilizarlo con láseres no rotatorios, pero es compatible con la mayoría de los rayos láser rotatorios de rayo rojo o infrarrojo (invisible) que existen en el mercado. Se lo puede fijar para indicar la ubicación del rayo en el 1/8" más cercano o en 1/25" más cercano. El detector da señales visuales mediante un visor (N) y señales de sonido mediante el altavoz (O) para indicar la ubicación del rayo láser.



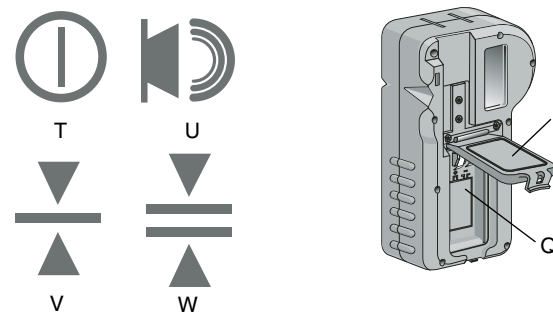
BATERÍAS

El detector digital de láser está alimentado por una batería de 9 voltios. Para instalar la batería provista, levante la tapa del compartimiento de la batería (P). Ubique la batería de 9 voltios en el compartimiento, alinee la batería como se muestra en el icono grabado (Q).


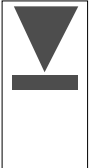
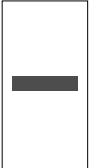


CONTROLES DEL DETECTOR

El detector se controla mediante el botón de energía/volumen (R) y el botón de modo precisión (S). Cuando se oprime una vez el botón de energía/volumen, se enciende el detector. La parte superior del visor muestra el icono encendido (ON) (T) y el icono

de volumen (U). Para disminuir el volumen de la señal sonora que emite el detector cuando detecta un rayo láser, oprima el botón nuevamente; uno de los semicírculos al lado del icono de la bocina desaparecerá. Para apagar la señal sonora oprima el botón una tercera vez; el icono de volumen desaparecerá. El detector digital de láser DEWALT también tiene una función de apagado automático. Si un rayo láser rotatorio no coincide con el visor de detección del rayo, o si no se oprime ningún botón, el detector se apagará solo en unos 30 minutos.



Cuando el detector está encendido, la parte inferior del visor muestra un icono de modo precisión. Aparecerá el icono de modo precisión $\pm 1/25"$ (V), o aparecerá el icono de modo precisión $\pm 1/8"$ (W). Cuando aparece el icono de modo precisión $\pm 1/25"$, indica que el detector va a dar una lectura de "a nivel" sólo cuando el rayo láser esté a nivel o no más que 1/25" por encima o por debajo del mismo. Cuando aparece el icono de modo precisión $\pm 1/8"$, indica que el detector va a dar una lectura de "a nivel" cuando el rayo láser esté a nivel o aproximadamente 1/8" por encima o por debajo del mismo. Oprima el botón de modo precisión (S) una vez para cambiar el modo precisión.

INDICADORES					
	Ligeramente Sobre Nivel		A Nivel	Ligeramente Bajo Nivel	
señales sonoras	sonido rápido	sonido rápido	tono constante	sonido lento	sonido lento
iconos del visor					

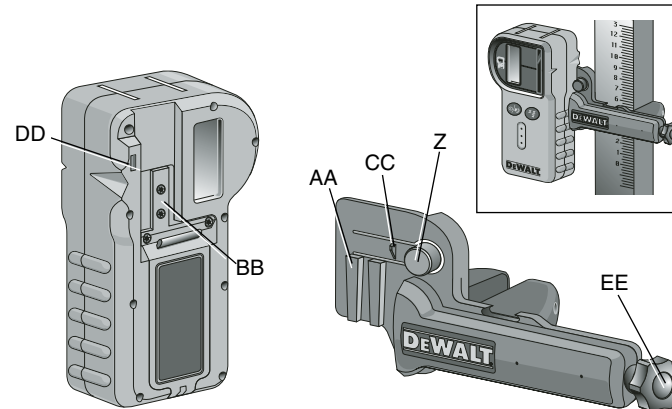
Operación del detector

1. Fije y ubique el láser rotatorio que utilizará de acuerdo con las instrucciones del fabricante. Encienda el láser y asegúrese de que el láser está rotando y emitiendo un rayo láser.

NOTA: Este detector ha sido diseñado para utilizarlo únicamente con un láser rotatorio. El detector no funcionará con un nivel de rayo láser fijo.

2. Encienda el detector oprimiendo el botón energía/volumen (R).
3. Ajuste el volumen según desee como se describe previamente en la sección **Controles del detector**.
4. Ubique el detector para que el visor del detector (X) enfrente al rayo láser producido por el láser rotatorio. Mueva el detector hacia arriba o hacia abajo dentro del área aproximada del rayo, hasta que haya centrado el detector. Por información sobre los indicadores visuales del visor y los indicadores de señal sonora, vea la tabla titulada **Indicadores**.

5. Utilice las muescas marcadoras (Y) para marcar con precisión la posición del rayo láser.



MONTAJE SOBRE UNA BARRA NIVELADORA

1. Para afirmar su detector sobre una barra niveladora, primero conecte el detector a la abrazadera empujándolo en el cerrojo de la abrazadera (Z). Deslice las correderas de la abrazadera (AA) alrededor del riel del detector (BB) hasta que el cerrojo (CC) de la abrazadera encaje en el agujero del cerrojo (DD) del detector.
2. Abra las mordazas de la abrazadera girando la perilla de la abrazadera (EE) en el sentido inverso a las agujas del reloj.
3. Ubique el detector a la altura requerida y gire la perilla de la abrazadera en el sentido de las agujas del reloj para afirmar la agarradera a la barra.
4. Para hacer ajustes en altura, afloje ligeramente la abrazadera, vuelva a ubicar y vuelva a ajustar.

Limpieza y almacenaje del detector

- Se puede quitar la suciedad y la grasa de la parte externa del detector utilizando una tela o un cepillo suave, que no sea metálico.
- El detector digital de láser DEWALT es impermeable. Si llegara a dejar caer el detector en barro, concreto húmedo o una sustancia similar, simplemente lávelo con una manguera. No utilice agua a alta presión, por ejemplo de una lavadora a presión.
- El mejor lugar de almacenamiento es uno que sea fresco y seco (fuera de la luz solar directa y de un exceso de calor o frío).

Mantenimiento del detector

Excepto por las baterías, en el detector digital de láser no hay piezas a las que el usuario les pueda realizar mantenimiento. No desarme la unidad. Manipular el detector de láser sin autorización cancelará todas las garantías.

Detección de problemas del detector

EL DETECTOR NO ENCIENDE

- Oprima y suelte el botón de energía/volumen.
- Controle si la batería está bien colocada y en la posición correcta.
- Si el detector está muy frío, déjelo calentar en un área calefaccionada.
- Reemplace la batería de 9 voltios. Encienda la unidad.
- Si el detector aún no enciende, lleve el detector a un centro de servicio DEWALT.

EL ALTAVOZ DEL DETECTOR NO EMITE SONIDOS

- Asegúrese de que el detector está encendido.
- Oprima el botón de energía/volumen. Alternará desde alto a bajo a mudo.

- Asegúrese de que el láser rotatorio está girando y que está emitiendo un rayo láser.
- Si el detector continúa sin emitir ningún sonido, llévelo a un centro de servicio DEWALT.

EL DETECTOR NO RESPONDE A MI NIVEL LÁSER FIJO

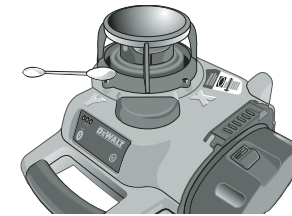
- El detector digital de láser DEWALT ha sido diseñado para operar únicamente con láseres rotatorios.

EL DETECTOR EMITE TONO PERO EL VISOR DE CRISTAL LÍQUIDO (LCD, POR SU SIGLA EN INGLÉS) NO FUNCIONA.

- Si el detector está muy frío, déjelo calentar en un área calefaccionada.
- Si el visor de cristal líquido (LCD, por su sigla en inglés) continúa sin funcionar, lleve el detector a un centro de servicio DEWALT.

MANTENIMIENTO DEL LÁSER

1. En ciertas condiciones, se puede acumular un poco de suciedad o partículas en las lentes de cristal que están dentro del cabezal rotatorio. Esto afectará la calidad y la escala de operación del rayo. Se deben limpiar las lentes con un hisopo de algodón humedecido con agua, según se muestra.
2. El protector de goma flexible se puede limpiar con una tela húmeda que no deje pelusa, como una tela de algodón. UTILICE SÓLO AGUA – NO utilice limpiadores ni solventes. Deje que la unidad se seque al aire antes de almacenarla.
3. Para mantener la precisión de su trabajo, controle a menudo la calibración del láser. Consulte la sección **Control de calibración de campo** de este manual.



- Los controles de calibración y otras reparaciones de mantenimiento se pueden realizar en los centros de servicio DEWALT. En el contrato de servicio gratuito de un año de DEWALT se incluyen dos calibraciones gratuitas.
- Cuando el láser no está en uso, guárdelo en el estuche que se provee.
- No guarde su láser en el estuche si está húmedo. Seque las partes externas con una tela suave y limpia y permita que el láser se seque al aire.
- No lo guarde a temperaturas inferiores a -18°C (0°F) o superiores a 41°C (105°F).

LIMPIEZA

Las partes externas plásticas se pueden limpiar con una tela húmeda y detergente suave. Aunque estas partes son muy resistentes a los solventes, NUNCA utilice solventes. Nunca use aire comprimido para limpiar el láser.

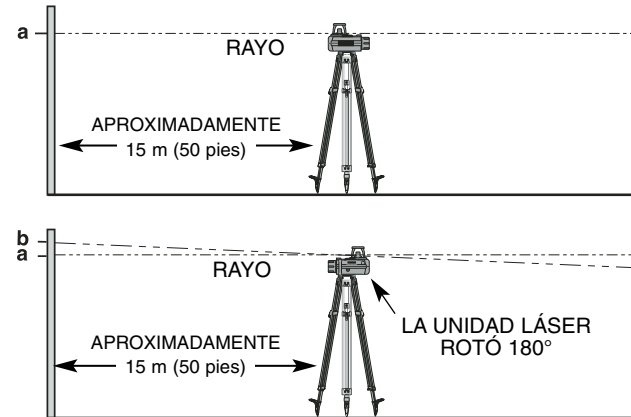
Control de calibración de campo

Los controles de calibración de campo se deben realizar con frecuencia. Esta sección provee instrucciones para realizar controles de calibración de campo simples de su láser rotatorio DEWALT. Los controles de calibración de campo no calibran el láser. Es decir, estos controles no corrigen errores en la capacidad de nivelación horizontal o a plomo del láser. En cambio, estos controles indican si el láser provee o no niveles horizontales o a plomo correctos. Estos controles no pueden reemplazar la calibración profesional realizada por un centro de servicio DEWALT.

CONTROL DE CALIBRACIÓN DE MODO NIVEL HORIZONTAL

- Coloque un trípode a 15 m (50 pies) de una pared vertical como se muestra. Asegúrese de que la cabeza del trípode está a nivel usando un nivel de burbuja.
- Monte el láser rotatorio sobre el trípode de manera que el eje X apunte en la dirección contraria a la pared según se muestra.

- Encienda el láser oprimiendo el botón de encendido/apagado (ON/OFF).
- Marque el centro de la elevación del rayo sobre la pared (a).
- Gire toda la unidad láser 180° para que el eje X apunte hacia la pared y marque el centro de la elevación del rayo (b).
- Si la distancia entre las dos marcas (a, b) es menor que 3 mm ($1/8''$), el láser está calibrado correctamente.
- Repita los pasos anteriores para el eje Y apuntando primero el eje Y en el sentido contrario a la pared, luego gire nuevamente toda la unidad láser 180° .



Reparaciones

Para garantizar la SEGURIDAD y la CONFIABILIDAD, deberán hacerse reparaciones, mantenimiento y ajustes de esta herramienta en los centros autorizados de servicio DEWALT u otras organizaciones autorizadas. Estas organizaciones prestan servicio a las herramientas DEWALT y emplean siempre refacciones legítimas DEWALT.

Póliza de Garantía

IDENTIFICACIÓN DEL PRODUCTO:

Sello o firma del Distribuidor.

Nombre del producto: _____ Mod./Cat.: _____

Marca: _____ Núm. de serie: _____

(Datos para ser llenados por el distribuidor)

Fecha de compra y/o entrega del producto: _____

Nombre y domicilio del distribuidor donde se adquirió el producto:

Este producto está garantizado por un año a partir de la fecha de entrega, contra cualquier defecto en su funcionamiento, así como en materiales y mano de obra empleados para su fabricación. Nuestra garantía incluye la reparación o reposición del producto y/o componentes sin cargo alguno para el cliente, incluyendo mano de obra, así como los gastos de transportación razonablemente erogados derivados del cumplimiento de este certificado.

Para hacer efectiva esta garantía deberá presentar su herramienta y esta póliza sellada por el establecimiento comercial donde se adquirió el producto, de no contar con ésta, bastará la factura de compra.

EXCEPCIONES.

Esta garantía no será válida en los siguientes casos:

- Cuando el producto se hubiese utilizado en condiciones distintas a las normales;
- Cuando el producto no hubiese sido operado de acuerdo con el instructivo de uso que se acompaña;
- Cuando el producto hubiese sido alterado o reparado por personas distintas a las enlistadas al final de este certificado.

Anexo encontrará una relación de sucursales de servicio de fábrica, centros de servicio autorizados y franquiciados en la República Mexicana, donde podrá hacer efectiva su garantía y adquirir partes, refacciones y accesorios originales.

Garantía limitada por tres años

DeWALT reparará, sin cargo, cualquier falla que surja de defectos en el material o la fabricación del producto, por hasta tres años a contar de la fecha de compra. Esta garantía no cubre fallas de las piezas causadas por su desgaste normal o abuso a la herramienta. Para mayores detalles sobre la cobertura de la garantía e información acerca de reparaciones realizadas bajo garantía, visítenos en www.dewalt.com o diríjase al centro de servicio más cercano. Esta garantía no aplica a accesorios o a daños causados por reparaciones realizadas o intentadas por terceros. Esta garantía le otorga derechos legales específicos, además de los cuales puede tener otros dependiendo del estado o provincia en que se encuentre.

Además de la garantía, las herramientas DeWALT están cubiertas por:

1 AÑO DE SERVICIO GRATUITO

DeWALT mantendrá la herramienta y reemplazará las piezas gastadas por su uso normal, sin cobro, en cualquier momento durante un año a contar de la fecha de compra.

GARANTÍA DE REEMBOLSO DE SU DINERO POR 90 DÍAS

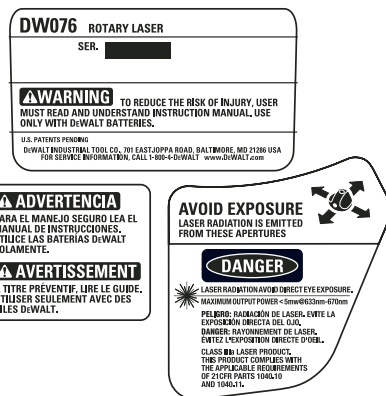
Si no está completamente satisfecho con el desempeño de su máquina herramienta, láser o clavadora DeWALT, cualquiera sea el motivo, podrá devolverlo hasta 90 días de la fecha de compra con su recibo y obtener el reembolso completo de su dinero – sin necesidad de responder a ninguna pregunta.

AMÉRICA LATINA: Esta garantía no se aplica a los productos que se venden en América Latina. Para los productos que se venden en América Latina, debe consultar la información de la garantía específica del país que viene en el empaque, llamar a la compañía local o visitar el sitio Web a fin de obtener esa información.

PRODUCTO REACONDICIONADO: Los productos reacondicionados están cubiertos bajo la Garantía de 1 Año de Servicio Gratuito.

La Garantía de 90 Días de Reembolso de su Dinero y la Garantía Limitada de Tres Años no aplican a productos reacondicionados.

REEMPLAZO GRATUITO DE LAS ETIQUETAS DE ADVERTENCIA: Si las etiquetas de advertencia se tornan elegibles o se pierden, llame al 1-800-4-DEWALT para reemplazarlas sin costo alguno.



Especificaciones

DW076 9.6-18V DC (----)

IMPORTADOR: DeWALT S.A. DE C.V.
BOSQUES DE CIDROS ACCESO RADIATAS NO. 42
COL. BOSQUES DE LAS LOMAS, 3A. SECCIÓN, CP 05120
DELEGACIÓN CUAJIMALPA, MÉXICO, D.F.

TEL. 5 326 7100
R.F.C.: BDE810626-1W7

Para servicio y ventas consulte
"HERRAMIENTAS ELÉCTRICAS"
en la sección amarilla.



PARA REPARACIÓN Y SERVICIO DE SUS HERRAMIENTAS ELÉCTRICAS, FAVOR DE DIRIGIRSE AL CENTRO DE SERVICIO MÁS CERCANO

CULIACAN, SIN
Av. Nicolás Bravo #1063 Sur - Col. Industrial Bravo (667) 7 12 42 11

GUADALAJARA, JAL
Av. La Paz #1779 - Col. Americana Sector Juárez (33) 3825 6978

MEXICO, D.F.
Eje Central Lázaro Cárdenas No. 18
Local D, Col. Obrera (55) 5588 9377

MERIDA, YUC
Calle 63 #459-A - Col. Centro (999) 928 5038

MONTERREY, N.L.
Av. Francisco I. Madero No.831 - Col. Centro (81) 8375 2313

PUEBLA, PUE
17 Norte #205 - Col. Centro (222) 246 3714

QUERETARO, QRO
Av. Madero 139 Pte. - Col. Centro (442) 214 1660

SAN LUIS POTOSI, SLP
Av. Universidad 1525 - Col. San Luis (444) 814 2383

TORREON, COAH
Blvd. Independencia, 96 Pte. - Col. Centro (871) 716 5265

VERACRUZ, VER
Prolongación Díaz Mirón #4280 - Col. Remes (229) 921 7016

VILLAHERMOSA, TAB
Constitución 516-A - Col. Centro (993) 312 5111

PARA OTRAS LOCALIDADES LLAME AL: (55) 5326 7100

Español

DeWALT Battery and Charger Systems													
Battery	Output	Chargers/Charge Time – Chargeurs/Durée de charge (Minutes) – Cargadores de baterías/Tiempo de carga (Minutos)											
		120 Volts						12 Volts					
Cat Number	Voltage	DW9106	DW9118	DW9107	DW9108	DW9116	DW9216	DW9117	DW911	DC011	DW0249	DW0246	DW9109
DW0242	24	X	X	X	X	X	X	X	X	X	60	60	X
DC9096	18	X	X	X	60	60	60	20	60	60	X	X	60
DW9096	18	X	X	X	60	60	60	20	60	60	X	X	60
DW9098	18	X	X	X	30	30	30	12	30	30	X	X	30
DW9099	18	X	X	X	45	45	45	15	45	45	X	X	45
DC9091	14.4	90	115	60	60	60	60	20	60	60	X	X	60
DW9091	14.4	45	90	45	45	45	45	15	45	45	X	X	45
DW9094	14.4	60	60	30	30	30	30	12	30	30	X	X	30
DC9071	12	90	115	60	60	60	60	20	60	60	X	X	60
DW9071	12	60	90	45	45	45	45	15	45	45	X	X	45
DW9072	12	45	60	30	30	30	30	12	30	30	X	X	30
DW9050	12	40	X	X	X	X	X	X	X	X	X	X	X
DW9061	9.6	60	90	45	45	45	45	15	45	45	X	X	45
DW9062	9.6	45	60	30	30	30	30	12	30	30	X	X	30
DW9048	9.6	40	X	X	X	X	X	X	X	X	X	X	X
DW9057	7.2	45	60	30	30	30	30	12	30	30	X	X	30

X Indicates that the battery pack is not compatible with that specific charger.

X indique que le bloc-piles n'est pas compatible avec ce chargeur.
Una "X" indica que el paquete de baterías no es compatible con ese determinado cargador.

**All charge times are approximate. Actual charge time may vary.
Read the instruction manual for more specific information.**

*Les durées de charge sont approximatives; la durée de charge réelle peut varier.
Lire le manuel d'utilisation pour obtenir des renseignements plus précis.*

*El tiempo de duración de carga es aproximado; la duración de carga real puede variar.
Lea el manual de instrucciones para obtener información más precisa.*

The following are trademarks for one or more DeWALT power tools: the yellow and black color scheme; the "D" shaped air intake grill; the array of pyramids on the handgrip; the kit box configuration; and the array of lozenge-shaped humps on the surface of the tool.