

*If you have questions or comments, contact us.  
Pour toute question ou tout commentaire, nous contacter.  
Si tiene dudas o comentarios, contáctenos.*

**1-800-4-DEWALT • [www.dewalt.com](http://www.dewalt.com)**

**INSTRUCTION MANUAL  
GUIDE D'UTILISATION  
MANUAL DE INSTRUCCIONES**

INSTRUCTIVO DE OPERACIÓN, CENTROS DE SERVICIO Y PÓLIZA DE GARANTÍA. **ADVERTENCIA:** LÉASE ESTE INSTRUCTIVO ANTES DE USAR EL PRODUCTO.

---

# DEWALT®

---

**DW073 Cordless Rotary Laser  
Laser rotatif sans fil DW073  
DW073 Láser rotatorio inalámbrico**



IF YOU HAVE ANY QUESTIONS OR COMMENTS ABOUT THIS OR ANY DEWALT TOOL, CALL US TOLL FREE AT:

**1-800-4-DEWALT (1-800-433-9258)**

## **Introduction**

The DW073 Cordless Rotary Laser is a manually leveled laser tool that can be used both inside and outside for horizontal (level) and vertical (plumb) alignment projects. This tool comes fully assembled. Applications range from acoustical ceiling installation and wall layout to foundation leveling and deck building. This tool has been designed with many innovative features that allow for quick and easy set-up and adjustment which will increase your productivity on the job. Please read and understand all instructions within this manual prior to use.

## **General Safety Rules For Battery Operated Tools**



**WARNING! Read and understand all instructions.**

*Failure to follow all instructions listed below may result in electric shock, fire and/or serious personal injury.*

### **SAVE THESE INSTRUCTIONS**

#### **WORK AREA**

- **Keep your work area clean and well lit.** Cluttered benches and dark areas invite accidents.
- **Do not operate power tools in explosive atmospheres, such as in the presence of flammable liquids, gases, or dust.** Power tools create sparks which may ignite the dust or fumes.
- **Keep bystanders, children, and visitors away while operating a power tool.** Distractions can cause you to lose control.

#### **ELECTRICAL SAFETY**

- **A battery operated tool with integral batteries or a separate battery pack must be recharged only with the specified charger for the battery.** A charger that may be suitable for one type of battery may create a risk of fire when used with another battery.

- **Use battery operated tool only with the specifically designated battery pack.** Use of any other batteries may create a risk of fire.

#### **PERSONAL SAFETY**

- **Stay alert, watch what you are doing and use common sense when operating a power tool. Do not use tool while tired or under the influence of drugs, alcohol, or medication.** A moment of inattention while operating power tools may result in serious personal injury.
- **Dress properly. Do not wear loose clothing or jewelry. Contain long hair. Keep your hair, clothing, and gloves away from moving parts.** Loose clothing, jewelry, or long hair can be caught in moving parts. Air vents often cover moving parts and should also be avoided.
- **Avoid accidental starting. Be sure switch is in the locked or off position before inserting battery pack.** Carrying tools with your finger on the switch or inserting the battery pack into a tool with the switch on invites accidents.
- **Do not overreach. Keep proper footing and balance at all times.** Proper footing and balance enables better control of the tool in unexpected situations.
- **Use safety equipment. Always wear eye protection.** Dust mask, non-skid safety shoes, hard hat, or hearing protection must be used for appropriate conditions.

#### **TOOL USE AND CARE**

- **Use clamps or other practical way to secure and support the workpiece to a stable platform.** Holding the work by hand or against your body is unstable and may lead to a loss of control.
- **Do not use tool if switch does not turn it on or off.** A tool that cannot be controlled with the switch is dangerous and must be repaired.
- **Disconnect battery pack from tool or place the switch in the locked or off position before making any adjustments, changing accessories, or storing the tool.** Such preventative safety measures reduce the risk of starting the tool accidentally.

- **Store idle tools out of reach of children and other untrained persons.** Tools are dangerous in the hands of untrained users.
- **When battery pack is not in use, keep it away from other metal objects like: paper clips, coins, keys, nails, screws, or other small metal objects that can make a connection from one terminal to another.** Shorting the battery terminals together may cause sparks, burns, or a fire.
- **Check for misalignment or binding of moving parts, breakage of parts, and any other condition that may affect the tools operation. If damaged, have the tool serviced before using.** Many accidents are caused by poorly maintained tools.
- **Use only accessories that are recommended by the manufacturer for your model.** Accessories that may be suitable for one tool, may create a risk of injury when used on another tool.

#### SERVICE

- **Tool service must be performed only by qualified repair personnel.** Service or maintenance performed by unqualified personnel may result in a risk of injury.

#### Additional Safety Rules

**⚠ WARNING! DO NOT DISASSEMBLE LASER LEVEL.** There are no user serviceable parts inside. Disassembling the laser level will void all warranties on the product. Do not modify the product in any way.

These devices comply with Part 15 of the FCC Rules. Operation is subject to the following two conditions: (1) this device may not cause harmful interference, and (2) this device must accept any interference received, including interference that may cause undesired operation.

**NOTE:** This equipment has been tested and found to comply with the limits for a Class B digital device, pursuant to Part 15 of the FCC Rules. These limits are designed to provide reasonable protection against harmful interference in a residential installation. This equipment generates, uses and can radiate radio frequency energy and, if not installed and used in accordance with the instructions, may cause harmful interference to radio communications. However, there is no

guarantee that interference will not occur in a particular installation. If this equipment does cause harmful interference to radio and television reception, which can be determined by turning the equipment off and on, the user is encouraged to try to correct the interference by one or more of the following measures:

- Reorient or relocate the receiving antenna.
- Increase the separation between the equipment and receiver.
- Connect the equipment into an outlet on a circuit different from that which the receiver is connected.
- Consult the dealer or an experienced radio/TV technician for help.

These Class B digital devices comply with Canadian ICES-003.

**⚠ CAUTION:** Some tools with large battery packs will stand upright on the battery pack but may be easily knocked over. When not in use, place tool on its side on a stable surface where it will not cause a tripping or falling hazard.

- The label on your tool may include the following symbols.

V .....	volts	A .....	amperes
Hz .....	hertz	W .....	watts
min .....	minutes	~ .....	alternating current
==== .....	direct current	n <sub>o</sub> .....	no load speed
☐ .....	Class II	⊕ .....	earthing
.....	Construction	.....	terminal
⚠ .....	safety alert	.../min .....	revolutions or
.....	symbol	.....	reciprocations
		.....	per minute

#### Important Safety Instructions for Battery Packs

Your tool uses a 9.6, 12.0, 14.4 or an 18 Volt DEWALT battery pack. When ordering replacement battery packs, be sure to include catalog number and voltage. Extended Run-Time battery packs deliver more

run-time than standard battery packs. Consult the chart at the end of this manual for compatibility of chargers and battery packs.

**NOTE:** Your tool will accept either standard or Extended Run Time battery packs. However, be sure to select proper voltage. Batteries slowly lose their charge when they are not on the charger, the best place to keep your battery is on the charger at all times.

The battery pack is not fully charged out of the carton. Before using the battery pack and charger, read the safety instructions below. Then follow charging procedures outlined.

### **READ ALL INSTRUCTIONS**

- **Do not incinerate the battery pack even if it is severely damaged or is completely worn out.** The battery pack can explode in a fire.
- **A small leakage of liquid from the battery pack cells may occur under extreme usage or temperature conditions.** This does not indicate a failure. However, if the outer seal is broken and this leakage gets on your skin:
  - a. Wash quickly with soap and water.
  - b. Neutralize with a mild acid such as lemon juice or vinegar.
  - c. If battery liquid gets into your eyes, flush them with clean water for a minimum of 10 minutes and seek immediate medical attention. (**Medical note:** The liquid is 25-35% solution of potassium hydroxide.)
- Charge the battery packs only in DEWALT chargers.
- **DO NOT** splash or immerse in water or other liquids.
- **Do not store or use the tool and battery pack in locations where the temperature may reach or exceed 105°F (40°) (such as outside sheds or metal buildings in summer).**

**⚠ DANGER:** Electrocutation hazard. Never attempt to open the battery pack for any reason. If battery pack case is cracked or damaged, do not insert into charger. Electric shock or electrocutation may result. Damaged battery packs should be returned to service center for recycling.

**NOTE:** Battery storage and carrying caps are provided for use whenever the battery is out of the tool or charger. Remove cap before placing battery in charger or tool.

**⚠ WARNING:** Do not store or carry battery so that metal objects can contact exposed battery terminals.

For example, do not place battery in aprons, pockets, tool boxes, product kit boxes, drawers, etc., with loose nails, screws, keys, etc. without battery cap. **Transporting batteries can possibly cause fires if the battery terminals inadvertently come in contact with conductive materials such as keys, coins, hand tools and the like.** The US Department of Transportation Hazardous Material Regulations (HMR) actually prohibit transporting batteries in commerce or on airplanes (i.e., packed in suitcases and carry-on luggage) UNLESS they are properly protected from short circuits. So when transporting individual batteries, make sure that the battery terminals are protected and well insulated from materials that could contact them and cause a short circuit.

### **The RBRC™ Seal**

The RBRC™ (Rechargeable Battery Recycling Corporation) Seal on the nickel-cadmium battery (or battery pack) indicates that the costs to recycle the battery (or battery pack) at the end of its useful life have already been paid by DEWALT. In some areas, it is illegal to place spent nickel-cadmium batteries in the trash or municipal solid waste stream and the RBRC program provides an environmentally conscious alternative.

RBRC in cooperation with DEWALT and other battery users, has established programs in the United States to facilitate the collection of spent nickel-cadmium batteries. Help protect our environment and conserve natural resources by returning the spent nickel-cadmium battery to an authorized DEWALT service center or to your local retailer for recycling. You may also contact your local recycling center for information on where to drop off the spent battery.

RBRC™ is a registered trademark of the Rechargeable Battery Recycling Corporation.



English



## Important Safety Instructions for Battery Chargers

**SAVE THESE INSTRUCTIONS:** This manual contains important safety instructions for battery chargers.

- Before using charger, read all instructions and cautionary markings on charger, battery pack, and product using battery pack.

**⚠ DANGER:** Electrocution hazard. 120 volts are present at charging terminals. Do not probe with conductive objects. Electric shock or electrocution may result.

**⚠ WARNING:** Shock hazard. Do not allow any liquid to get inside charger. Electric shock may result.

**⚠ CAUTION:** Burn hazard. To reduce the risk of injury, charge only DEWALT nickel cadmium rechargeable batteries. Other types of batteries may burst causing personal injury and damage.

**⚠ CAUTION:** Under certain conditions, with the charger plugged in to the power supply, the exposed charging contacts inside the charger can be shorted by foreign material. Foreign materials of a conductive nature such as, but not limited to, steel wool, aluminum foil, or any buildup of metallic particles should be kept away from charger cavities. Always unplug the charger from the power supply when there is no battery pack in the cavity. Unplug charger before attempting to clean.

- **DO NOT attempt to charge the battery pack with any chargers other than the ones in this manual.** The charger and battery pack are specifically designed to work together.
- **These chargers are not intended for any uses other than charging DEWALT rechargeable batteries.** Any other uses may result in risk of fire, electric shock or electrocution.
- **Do not expose charger to rain or snow.**
- **Pull by plug rather than cord when disconnecting charger.** This will reduce risk of damage to electric plug and cord.
- **Make sure that cord is located so that it will not be stepped on, tripped over, or otherwise subjected to damage or stress.**

- **Do not use an extension cord unless it is absolutely necessary.** Use of improper extension cord could result in risk of fire, electric shock, or electrocution.
- **An extension cord must have adequate wire size (AWG or American Wire Gauge) for safety.** The smaller the gauge number of the wire, the greater the capacity of the cable, that is 16 gauge has more capacity than 18 gauge. When using more than one extension to make up the total length, be sure each individual extension contains at least the minimum wire size.

### Recommended Minimum Wire Size for Extension Cords

#### Total Length of Cord

25 ft.	50 ft.	75 ft.	100 ft.	125 ft.	150 ft.	175 ft.
7.6 m	15.2 m	22.9 m	30.5 m	38.1 m	45.7 m	53.3 m

#### Wire Size AWG

18	18	16	16	14	14	12
----	----	----	----	----	----	----

- **Do not place any object on top of charger or place the charger on a soft surface that might block the ventilation slots and result in excessive internal heat.** Place the charger in a position away from any heat source. The charger is ventilated through slots in the top and the bottom of the housing.
- **Do not operate charger with damaged cord or plug** — have them replaced immediately.
- **Do not operate charger if it has received a sharp blow, been dropped, or otherwise damaged in any way.** Take it to an authorized service center.
- **Do not disassemble charger; take it to an authorized service center when service or repair is required.** Incorrect reassembly may result in a risk of electric shock, electrocution or fire.
- **Disconnect the charger from the outlet before attempting any cleaning. This will reduce the risk of electric shock.** Removing the battery pack will not reduce this risk.
- **NEVER attempt to connect 2 chargers together.**
- **The charger is designed to operate on standard household electrical power (120 Volts). Do not attempt to use it on any other voltage.** This does not apply to the vehicular charger.

## Using Automatic Tune-Up™ Mode

The Automatic Tune-Up™ Mode equalizes or balances the individual cells in the battery pack allowing it to function at peak capacity. Battery packs should be tuned up weekly or after 10 charge/discharge cycles or whenever the pack no longer delivers the same amount of work. To use the Automatic Tune-Up™, place the battery pack in the charger and leave it for at least 8 hours. The charger will cycle through the following modes.

1. The red light will blink continuously indicating that the 1-hour charge cycle has started.
2. When the 1-hour charge cycle is complete, the light will stay on continuously and will no longer blink. This indicates that the pack is fully charged and can be used at this time.
3. Whenever the pack is left in the charger after the initial 1-hour charge, the charger will begin the Automatic Tune-Up™ Mode. This mode continues up to 8 hours or until the individual cells in the battery pack are equalized. The battery pack is ready for use and can be removed at any time during the Tune-Up™ Mode.
4. Once the Automatic Tune-Up™ Mode is complete the charger will transition to a maintenance charge; the indicator light shuts off when the Automatic Tune-Up™ Mode is complete.

## Chargers

Your tool uses a 7.2, 9.6, 12.0, 14.4, or 18.0 Volt DEWALT charger. Your battery can be charged in DEWALT 1 Hour Chargers, 15 Minute Chargers or Vehicular 12 Volt Charger. Be sure to read all safety instructions before using your charger. Consult the chart at the end of this manual for compatibility of chargers and battery packs.


## Charging Procedure

**▲ DANGER:** *Electrocution hazard. 120 volts present at charging terminals. Do not probe with conductive objects. Danger of electric shock or electrocution.*

1. Plug the charger into an appropriate outlet before inserting battery pack.

2. Insert the battery pack into the charger making sure the pack is fully seated. The red (charging) light will blink continuously indicating that the charging process has started.
3. The completion of charge will be indicated by the red light remaining ON continuously. The pack is fully charged and may be used at this time or left in the charger.

## Indicator Light Operation

PACK CHARGING.....	
FULLY CHARGED.....	
HOT/COLD PACK DELAY.....	
REPLACE PACK.....	
PROBLEM POWER LINE.....	

## Charge Indicators

Some chargers are designed to detect certain problems that can arise with battery packs. Problems are indicated by the red light flashing at a fast rate. If this occurs, re-insert battery pack into the charger. If the problem persists, try a different battery pack to determine if the charger is OK. If the new pack charges correctly, then the original pack is defective and should be returned to a service center or other collection site for recycling. If the new battery pack elicits the same trouble indication as the original, have the charger tested at an authorized service center.

### HOT/COLD PACK DELAY

Some chargers have a Hot/Cold Pack Delay feature: when the charger detects a battery that is hot, it automatically starts a Hot Pack Delay, suspending charging until the battery has cooled. After the battery has cooled, the charger automatically switches to the Pack Charging mode. This feature ensures maximum battery life. The red light flashes long, then short while in the Hot Pack Delay mode.



### PROBLEM POWER LINE

Some chargers have a Problem Power Line indicator. When the charger is used with some portable power sources such as generators or sources that convert DC to AC, the charger may temporarily suspend operation, **flashing the red light with two fast blinks followed by a pause**. This indicates the power source is out of limits.

### LEAVING THE BATTERY PACK IN THE CHARGER

The charger and battery pack can be left connected with the red light glowing indefinitely. The charger will keep the battery pack fresh and fully charged.

**NOTE:** A battery pack will slowly lose its charge when kept out of the charger. If the battery pack has not been kept on maintenance charge, it may need to be recharged before use. A battery pack may also slowly lose its charge if left in a charger that is not plugged into an appropriate AC source.

**WEAK BATTERY PACKS:** Chargers can also detect a weak battery. Such batteries are still usable but should not be expected to perform as much work. In such cases, about 10 seconds after battery insertion, the charger will beep rapidly 8 times to indicate a weak battery condition. The charger will then go on to charge the battery to the highest capacity possible.

### Important Charging Notes

1. Longest life and best performance can be obtained if the battery pack is charged when the air temperature is between 65°F and 75°F (18°- 24°C). DO NOT charge the battery pack in an air temperature below +40°F (+4.5°C), or above +105°F (+40.5°C). This is important and will prevent serious damage to the battery pack.
2. The charger and battery pack may become warm to touch while charging. This is a normal condition, and does not indicate a problem. To facilitate the cooling of the battery pack after use, avoid placing the charger or battery pack in a warm environment such as in a metal shed, or an uninsulated trailer.

3. If the battery pack does not charge properly:
  - a. Check current at receptacle by plugging in a lamp or other appliance
  - b. Check to see if receptacle is connected to a light switch which turns power off when you turn out the lights.
  - c. Move charger and battery pack to a location where the surrounding air temperature is approximately 65°F - 75°F (18°- 24°C).
  - d. If charging problems persist, take the tool, battery pack and charger to your local service center.
4. The battery pack should be recharged when it fails to produce sufficient power on jobs which were easily done previously. DO NOT CONTINUE to use under these conditions. Follow the charging procedure. You may also charge a partially used pack whenever you desire with no adverse affect on the battery pack.
5. Under certain conditions, with the charger plugged into the power supply, the exposed charging contacts inside the charger can be shorted by foreign material. Foreign materials of a conductive nature such as, but not limited to, steel wool, aluminum foil, or any buildup of metallic particles should be kept away from charger cavities. Always unplug the charger from the power supply when there is no battery pack in the cavity. Unplug charger before attempting to clean.
6. Do not freeze or immerse charger in water or any other liquid.

**▲ WARNING:** Shock hazard. Don't allow any liquid to get inside charger. Electric shock may result.

**▲ CAUTION:** Never attempt to open the battery pack for any reason. If the plastic housing of the battery pack breaks or cracks, return to a service center for recycling.

### CHARGER CLEANING INSTRUCTIONS

**▲ WARNING:** Shock hazard. Disconnect the charger from the AC outlet before cleaning. Dirt and grease may be removed from the exterior of the charger using a cloth or soft non-metallic brush. Do not use water or any cleaning solutions.



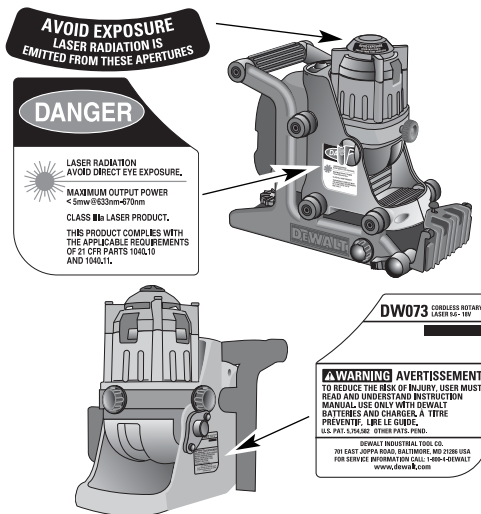
## Laser Safety

The DW073 Cordless Rotary Laser is listed as a CLASS IIIa LASER PRODUCT and complies with the applicable requirements of title 21 of the Code of Federal Regulations set forth by: the Department of Health, Education, and Welfare; the Food and Drug Administration; the Center for Devices and Radiological Health.

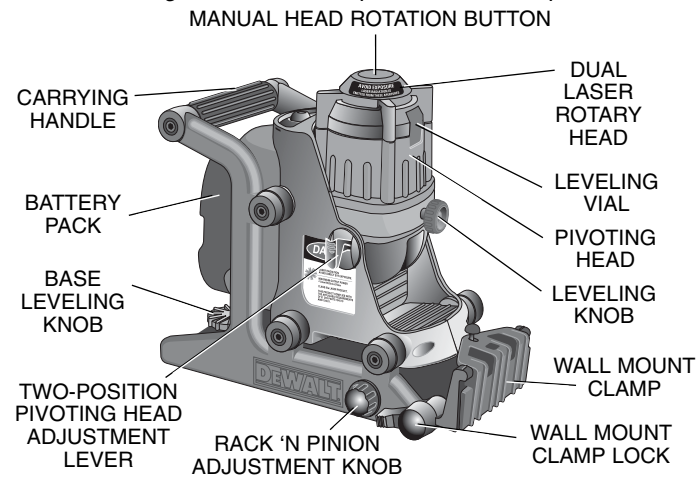
**▲ DANGER: THIS PRODUCT EMITS LASER RADIATION - DO NOT STARE INTO THE LASER BEAM.**

**▲ CAUTION:** The use of optical instruments with this product will increase eye hazard.

- Set the laser at a position above or below eye level.
- **DO NOT** disassemble the laser tool. There are no user serviceable parts inside.
- When using the laser overhead, always use a ceiling wire hanger or equivalent material in addition to the wall mount clamp to help secure the laser level while mounting it to a wall. See "Wall Mount" section for instructions.
- The use of controls or adjustments or procedures other than those specified herein may result in Hazardous Radiation Exposure.
- **DO NOT** modify the laser in any way. Modifying the tool may result in Hazardous Laser Radiation Exposure.



- Repairs and servicing must be performed by a qualified repair facility.
- **DO NOT** allow children to operate the laser tool.
- **DO NOT** operate the laser around children.
- **DO NOT** Remove warning labels from the tool.
- Your operating conditions may require that you post a Laser "DANGER" sign. One has been provided with this product.



## Operating Tips

- Ensure battery is properly charged. If the "Power" LED light is flashing, the battery needs to be charged.
- To extend battery life per charge, turn laser off when not working with or marking the beam.
- To ensure the accuracy of your work, check to make sure your laser is calibrated often. See "Field Calibration" section.
- Before attempting to level the laser, make sure the tool is positioned on a relatively smooth surface.

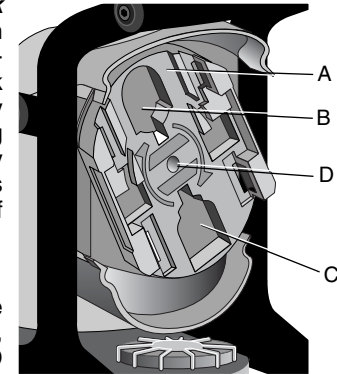
- The more accurately centered the bubbles are in the vials, the more accurate the laser beam will be for working.
- Your DEWALT laser is equipped with 2, side by side laser diodes which produce an extremely bright, visible beam when the laser head is rotated.
- Always mark the center of the laser line or dot.
- To increase working distance and accuracy, set up the laser in the middle of your working area.
- When attaching to a tripod or wall, mount the laser securely.
- When working indoor a slow rotary head speed will produce a visibly brighter line, a faster rotary head speed will produce a visibly solid line.
- To increase beam visibility, wear the Laser Enhancement Glasses provided and/or use the Laser Target Card to help find the beam.
- To transfer a laser dot mark use the Manual Rotation Button on the top of the laser head for quick and easy control. See "Manual Head Rotation Button" section for instructions.
- Extreme temperature changes can cause movement of internal parts that can effect accuracy. Check your accuracy often while working.
- When working with the DEWALT Digital Laser Detector set the laser variable speed control to the highest setting (600 RPM).
- Utilize the Bump Sensor feature on the laser to warn you if the tool has been bumped after set up.
- If the laser has been dropped or has tipped over while set up on a tripod, have the calibration system checked by a qualified service center before continuing use.

### **Installing and Removing the Battery Pack**

**NOTE:** Make sure your battery pack is fully charged.

**To install the battery pack** into the rotary laser, rotate the battery adapter plate (A) with applicable cut out for 9.6, 12, 14.4 volt pack (B) or the other for the 18 volt pack (C) aligned with the battery contacts facing inside the cut out and slide the battery pack in firmly until you hear the battery pack lock in place.

**To remove the battery pack** from the tool, push the battery in slightly, then press the release buttons, and firmly pull the battery pack out of the receptacle. The battery ejector pin (D) will aid in removing the pack. To recharge the battery pack, insert it into the charger as described in the charger section of this manual.



### **Control Panel**

The Control Panel contains the ON/OFF/Variable Speed Switch, ON/LOW Battery Indicator LED Light, and Bump Sensor Control Buttons and LED Indicator Lights.

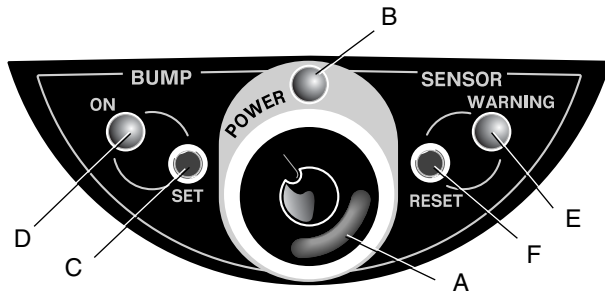
#### **To Turn the Laser On:**

Insert fully charged battery pack through proper cut out in battery adapter plate. Ensure battery is firmly engaged.

Rotate the ON/OFF knob (A) clockwise to power the laser ON. The dual laser diodes will turn on and the POWER LED (B) Light will illuminate. The rotary head will remain stationary during the first 1/4 turn of the knob. Rotation of the laser head will begin as the Variable Speed knob continues to be turned clockwise. The rotary head speed is variable from 0-600 RPM. The POWER LED Light will remain lit as long as the switch is turned ON and the battery remains charged.

#### **Low Battery Indicator:**

The DW073 is equipped with a Low Battery Indicator. A flashing POWER LED Light indicates that the battery pack needs to be recharged. All other electronic functions of the tool will shut down, including the laser diodes. Follow recharging instructions for battery packs as mentioned in this manual.



#### **To Turn the Laser Off:**

Rotate the ON/OFF Knob counterclockwise until it clicks OFF and the laser diodes shut down. The POWER LED Light will no longer be illuminated.

#### **ROTATION SPEEDS**

The Variable Speed Knob can be used to improve your visibility or detection of the laser beam. The slower the rotation speed, the brighter the laser line will appear. The faster the rotation speed, the more solid the laser line appears. Always remember to operate your laser in HIGH (600 RPM) speed when working with the Digital Laser Detector.

**Remember:** Slow Speed = Bright Beam; Fast Speed = Solid Beam.

#### **Bump Sensor**

The DW073 Cordless Rotary Laser is equipped with a BUMP SENSOR that will warn you if the laser level has been bumped after set up and leveling. If properly used, this feature can help increase the accuracy of your work by insuring that you continue to work off of the same level/plumb position that you initially set the laser to. The Bump Sensor IS NOT AN OUT OF LEVEL SENSOR. It can not and will not warn you if the laser has gone out of level without being bumped. Check your level/plumb position often to ensure the accuracy of your work.

#### **BUMP SENSOR CONTROLS**

The Bump Sensor is activated as soon as you turn the laser power ON and will remain active until you turn the laser power OFF. Through the use of the Bump Sensor Controls, you can choose how the laser warns you in the event it has been bumped. There are two settings to choose from.

##### **SETTING 1**

#### **FLASHING LED WARNING LIGHT ONLY**

With a fully charged battery properly inserted, turn the laser power ON. The Bump Sensor is automatically activated.

- Level the laser to establish a benchmark.
- Choose your rotation speed.
- If the laser level is bumped, the Bump Sensor WARNING LED (E) will flash to warn you.
- To continue working, recheck the laser to your benchmark and re-level if necessary.
- Press the Bump Sensor RESET Button (F) to clear the flashing LED light and reset the Bump Sensor circuit.

##### **SETTING 2**

#### **FLASHING LED WARNING LIGHT, FLASHING LASER DIODES, AND ROTATION STOP**

With a fully charged battery properly inserted, turn the laser power ON. The Bump Sensor is automatically activated.

- Level the laser and establish a benchmark.
- Choose your rotation speed.
- Press the Bump Sensor SET Button (C) to activate the second operating mode. The Bump Sensor ON LED Light (D) will illuminate.
- If the laser level is bumped, the Bump Sensor WARNING LED (E) will flash, the dual laser diodes will flash and rotation of the laser head will stop, if the rotary head was spinning.
- To continue working, recheck the laser to your benchmark and re-level if necessary.

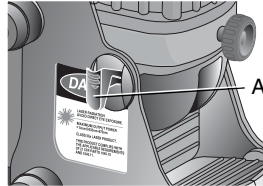
- Press the Bump Sensor RESET Button (F) to clear the flashing LED light and reset the Bump Sensor circuit. The laser diodes will stop flashing and the rotary head will begin spinning again. The Bump Sensor ON LED Light will remain lit and the tool will remain in this operating mode.

To return the circuit to setting 1, press the Bump Sensor SET Button (C) once again. The ON LED Light (D) will shut off indicating that the laser is in operating mode 1.

### Two-Position Pivoting Head

This tool has been designed with a Two-Position Pivoting Head for quick and easy adjustments on the job. The Two-Position Pivoting Head can be used to position the laser for both horizontal (level) and vertical (plumb) applications and to adjust the laser for use with the built in Wall Mount. The Two-Position Pivoting Head is designed to lock the laser level into two predetermined positions (level & plumb) through the use of a spring-loaded detent pin. To make adjustments to the position of the laser head follow these instructions.

1. Locate the Two-Position Pivoting Head Adjustment Lever (A) on the side of the laser level, next to the "DANGER" warning label.
2. To pivot the laser head lift the Adjustment Lever approximately one quarter of the way open, enough to disengage the spring-loaded detent pin holding the laser head in position. **DO NOT ATTEMPT** to fully open the Adjustment Lever, you may damage the spring-loaded detent mechanism. The Adjustment Lever has been designed to release the Pivoting Head when opened only one quarter of the way.
3. While lifting the Adjustment Lever approximately one quarter of the way open with one hand, pivot the laser head with your other hand until it travels 90° to a stop.
4. Release the Adjustment Lever and make sure that the spring-loaded detent pin locks into place. The laser head should now be locked into position and ready for use.



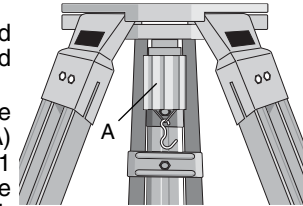
5. Follow the instructions for leveling or plumbing the laser. For positioning the tool for use on a wall see the Wall Mount section.
6. To return the laser head to its original position repeat steps 2-4.

### Wall, Floor & Tripod Mounts

The DW073 Cordless Rotary Laser has been designed with the most common accessories built directly into the base of the tool. These accessories allow the laser to be mounted onto tripods, positioned directly on the floor, and attached to walls for drop ceiling installation or other leveling jobs.

#### MOUNTING ON A TRIPOD

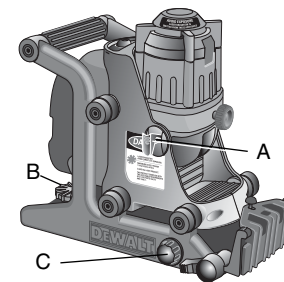
1. Position the tripod on a smooth and level surface. Set tripod to desired height.
2. Secure the laser to the tripod base by screwing the threaded knob (A) on the tripod into the 5/8" x 11 threaded insert on the bottom of the laser level. **NOTE:** Be sure the tripod you are working with has a 5/8" x 11 threaded screw.
3. Use the Two-Position Pivoting Head Adjustment Lever to pivot the laser head for a level or plumb setting.
4. Follow the instructions for leveling or plumbing the laser.
5. Turn the laser on; adjust rotation speed and controls as needed.



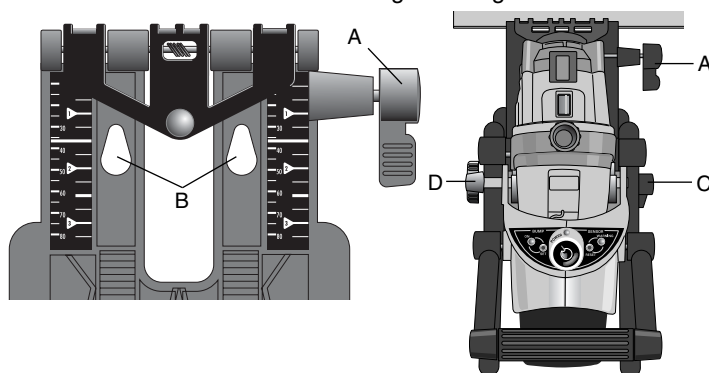
#### FLOOR MOUNT

The laser level can be positioned directly on the floor for leveling and plumbing applications. Follow the instructions below for using the floor mount.

1. Place the laser on a relatively smooth and level surface
2. Use the Two-Position Pivoting Head Adjustment Lever (A) to pivot the laser head for a level or plumb setting.



3. Use the Base Leveling Knob (B) located under the battery pack to stabilize the tool and aid in rough leveling.



4. In a plumb orientation the laser can be positioned over a mark and fine adjustments of the laser position can be made using the Base Rack 'N Pinion Knobs. **TIP:** It may be helpful to turn the power ON and spin the rotary head to set your mark. The Base Rack 'N Pinion Locking Knob (D) is a wing nut style knob that will lock and unlock the sliding base bracket. The Rack 'N Pinion Adjustment Knob (C) rotates to slide the tool forward and back. **TIP:** You may need to hold the laser base down while adjustments are made to the tool while on the floor.
5. Follow the instructions for leveling or plumbing the laser.
6. Turn the laser on if not on already; adjust rotation speed and controls as needed.

#### WALL MOUNT

The DW073 Cordless Rotary Laser has been designed with a built-in Wall Mount for attaching the tool to wall track to aid in acoustical ceiling installation and other specialty leveling projects. Follow the instructions below for using the Wall Mount.

**⚠ CAUTION:** Before attaching the laser level to wall track ensure that the track is properly secured to the wall.

1. Use the Two-Position Pivoting Head Adjustment Lever to pivot the laser head into a plumb orientation.
2. Rotate the entire tool so that the battery pack is positioned at the bottom of the tool and the Wall Mount Clamp is in position to be attached to the wall track. See illustration at left for proper set-up.
3. With the Base Plate Measuring Scale facing you, rotate the Wall Mount Clamp Locking Knob (A) towards you to open the clamp jaws. Position the clamp jaws around the wall track and rotate the Wall Mount Clamp Locking Knob away from you to close the clamp jaws shut on the track. Ensure that the Wall Mount Clamp Locking Knob is securely locked before proceeding.

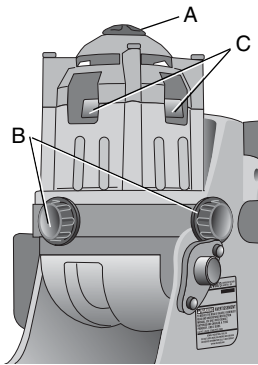
**⚠ CAUTION:** Always use a ceiling wire hanger or equivalent material, in addition to the wall mount clamp, to help secure the laser level while mounting it to a wall. Thread the wire through the holes in the roll cage above the Rack 'N Pinion Adjustment Knob (C) or above the Rack 'N Pinion Locking Knob (D). Additionally, screws or nails can be used to fasten the tool directly to the wall as a back up. Screw/Nail holes (B) are located in the Base Plate next to the Base Plate Measuring Scales.

4. The tool can be adjusted up and down to the desired offset height for working. To change the height, loosen the Rack 'N Pinion Locking Knob (D) located to the left of the laser head. **TIP:** You may need to support the weight of the tool while the Rack 'N Pinion Locking Knob is loosened. Turn the Rack 'N Pinion Adjustment Knob (C) located to the right of the laser head to move the laser level up and down to set your height. Use the Base Plate Measuring Scale to pinpoint your mark. **TIP:** It may be helpful to turn the power ON and spin the rotary head to set your height. Once you have positioned the laser at your desired offset height, tighten the Rack 'N Pinion Locking Knob to maintain your mark.
5. Use the Base Leveling Knob (behind the battery) at the bottom of the base plate to aid in positioning the tool against the wall.

6. Follow the instructions for leveling the laser. **TIP:** Remember the front leveling knob controls the movement of the bubble in the front vial, the side leveling knob controls the movement of the bubble in the side vial.
7. Turn the laser on if not on already; adjust rotation speed and controls as needed.

### Horizontal Leveling

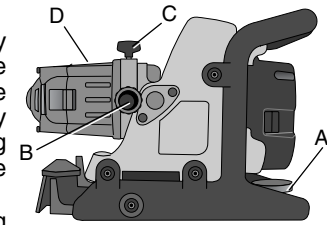
1. Set the laser on a relatively smooth and level surface such as a Tripod or prepare the laser level to be attached to wall track using the built-in Wall Mount feature. See "Wall Mount" section.
2. Use the Two-Position Pivoting Head Adjustment Lever to pivot the laser head to a level setting for projecting a horizontal reference beam. In this position the Manual Head Rotation Button (A) should be pointing up towards the ceiling or sky.
3. The leveling knobs (B) control the orientation of the laser head on the metal leveling plates and effect the movement of the bubbles in the vials (C). When the laser level is placed in a level position the front leveling knob controls the movement of the bubble in the front vial. The side leveling knob controls the movement of the bubble in the side vial. **NOTE:** The same leveling rules apply to the tool when being used with the Wall Mount feature.
4. To level the laser, the bubbles in both the front and side vials need to be centered within the vials. **TIP:** The more accurately you can center the bubbles within the vials the more accurate your horizontal laser reference beam will be.
5. To level the laser, turn the leveling knob towards the bubble until the bubble is centered in the vial. **TIP:** To move the bubble in the front vial to the right, turn the front leveling knob to the left. To



- move the bubble in the front vial to the left, turn the leveling knob to the right. Repeat the procedure for the side vial.
6. Turn the laser on if not on already; adjust rotation speed and controls as needed.
  7. To project a level laser reference plane, adjust the rotation speed for preferred visibility. **Remember:** Slow Speed = Bright Beam; Fast Speed = Solid Beam.

### Vertical Plumbing

1. Set the laser on a relatively smooth and level surface. The tool should be positioned on the large base plate under the battery pack. Utilize the Base Leveling Knob (A) to roughly position the laser.
2. Use the Two-Position Pivoting Head Adjustment Lever to pivot the laser head to a plumb setting for projecting a vertical reference beam. In this position the pivoting laser head should be directly over the Wall Mount Clamp and the Control Panel should be facing up towards the ceiling or sky.
3. To plumb the laser, only the bubble in the Plumb Vial (D) needs to be centered. **TIP:** The more accurately you can position the bubble within the vial the more accurate your vertical laser reference beam will be.
4. Looking over the top of the laser, turn the Plumb Leveling Knob (B) (which is located on the side of the pivoting laser head in this orientation) to move the bubble within the Plumb Vial (D). Turn the plumb leveling knob towards the bubble until the bubble is centered in the vial. **TIP:** Turn the knob in the opposite direction you need the bubble to move.
5. Use the Plumb Beam Alignment Knob (C) (which is the knob next to the Plumb Vial) to adjust the plumb laser reference plane over your mark.

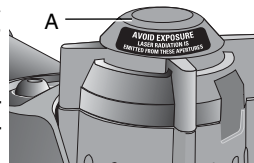




6. Turn the laser on if not on already; adjust rotation speed and controls as needed.
7. To project a plumb laser reference plane, adjust the rotation speed for preferred visibility. **Remember:** Slow Speed = Bright Beam; Fast Speed = Solid Beam.

### Manual Head Rotation Button

The laser has been designed with a protective cap over the rotary head to prevent accidental damage from work site activities. You can still access the rotary head and manually direct the beam to establish or transfer a mark. To manually rotate the laser beam follow the instructions below.



If the laser is turned OFF, rotate the ON/OFF knob clockwise a 1/4 turn or less. Ensure that the laser diodes are powered on and that the rotary head is not spinning. If the laser is ON and spinning, rotate the ON/OFF knob counterclockwise until rotation of the head stops.

Depress the spring loaded Manual Head Rotation Button (A) on the top of the protective cap. The button will make contact with the rotary laser head. While maintaining pressure on the Manual Head Rotation Button, you can now turn the button and direct the laser beams in the direction of your mark.

Since the laser has been designed with dual, side by side laser diodes, you may see 2 laser dots on the object you are projecting the beam onto. Marks can be made using either laser dot. Mark the center of the dot.

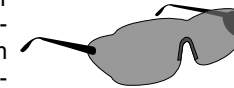
**DO NOT** attempt to use the Manual Head Rotation Button while the rotary head is spinning.

While using the Manual Head Rotation Button, it is recommended that you set the Bump Sensor to Setting 1. See Bump Sensor operation.

**NOTE:** After storing this product in extremely cold conditions, the laser head may not immediately rotate when turned on. The rotary head may be started by depressing and turning the Manual Rotation Button counterclockwise.

### Laser Enhancement Glasses

The DEWALT Laser Kit includes a pair of Laser Enhancement Glasses. These red lens glasses improve the visibility of the laser beam under bright light conditions or over long distances. These glasses are not required to operate the laser but are helpful. Working best indoors, the lens filters out ambient light and intensifies the red laser dot or line to your eyes.

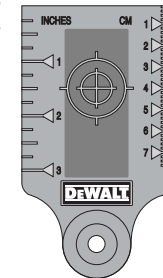


**CAUTION:** These glasses are not ANSI approved safety glasses and should not be worn while operating other tools. These glasses do not keep the laser beam from entering your eyes.

**DANGER: NEVER STARE DIRECTLY INTO THE LASER BEAM, WITH OR WITHOUT THESE GLASSES.**

### Target Card

The DEWALT Rotary Laser Kit includes a Laser Target Card to aid in locating and marking the laser beam. The target card enhances the visibility of the laser beam as the beam crosses over the card. The card is marked with inch and metric scales. The laser beam passes through the red plastic and reflects off of the reflective tape on the reverse side. The magnets at the top hold the target card to ceiling track or steel studs to determine plumb and level positions.



### Digital Laser Detector

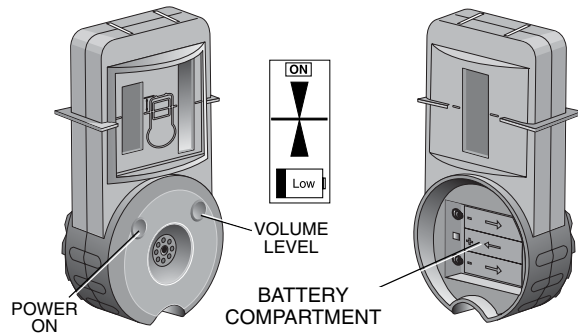
The DEWALT Digital Laser Detector enables you to locate a laser beam emitted by a Rotary Laser in bright light conditions or over long distances. The detector can be used in both indoor and outdoor situations where it is difficult to see the laser beam. The detector is not for use with non-rotating lasers.

The detector gives both visual and audio signals as to the location of the laser beam as the beam crosses over the detector. The DEWALT Digital Laser Detector is compatible with most rotary lasers on the

English



market today. The clamp attaches the Digital Laser Detector to grade rods, leveling poles, wall studs or posts. The detector can also be mounted to ceiling track by attaching the magnets on the top of the detector to the track.



If this laser kit contains a DEWALT Digital Laser Detector, a separate instruction manual has been included. For proper use and operation read and understand the Detector manual before use.

### Applications

The DW073 Cordless Rotary Laser is a versatile and accurate tool that can be used for both interior and exterior construction and remodeling projects. The laser level can be adjusted and positioned for use on dozens of horizontal (level) and vertical (plumb) applications. A few of the most common applications are listed below. General user steps are listed for each application to serve as a guide. They are not intended to provide you with detailed instructions to complete each leveling or plumbing project.

### Ceiling Installation

1. Follow the instructions in this manual for operating the built-in Wall Mount.
2. Securely attach the tool to the wall track and adjust the laser to your offset height.

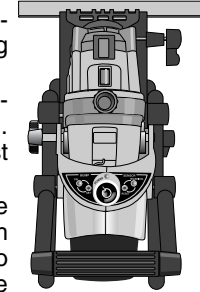
3. Follow the instructions for leveling the laser.

**TIP:** Remember the front leveling knob controls the front bubble vial, the side leveling knob controls the side bubble vial.

4. Turn the laser on if not on already; adjust rotation speed and controls as needed. **Remember:** Slow Speed = Bright Beam; Fast Speed = Solid Beam.

5. Use the Laser Target Card to help you find the rotating laser beam reference plane. Attach the magnetic base of the Laser Target Card to the ceiling track cross sections. **TIP:** Wear the Laser Enhancement Glasses to help improve the visibility of the laser beam to your eyes.

6. You can now begin to accurately level the ceiling grid/track for ceiling installation.



### Wall Layout

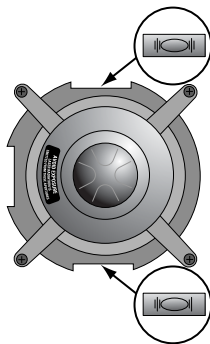
1. Follow the instructions in this manual for operating the built-in Floor Mount.
2. Use the Two-Position Pivoting Head Adjustment Knob to pivot the laser head for a plumb setting.
3. Position the laser over a predetermined benchmark on the floor and adjust the tool by utilizing the Rack 'N Pinion Adjustment Knobs.
4. Follow the instructions for plumbing the laser.
5. Turn the laser on if not on already; adjust rotation speed and controls as needed. **Remember:** Slow Speed = Bright Beam; Fast Speed = Solid Beam.
6. Use the Laser Target Card to help you find the rotating laser beam reference plane and to transfer your mark. **TIP:** Wear the Laser Enhancement Glasses to help improve the visibility of the laser beam to your eyes.
7. You can now begin to plumb and layout your walls by accurately transferring the reference points on the floor to the ceiling.

## Foundations

1. Follow the instructions in this manual for setting up the laser on a Tripod.
2. Use the Two-Position Pivoting Head Adjustment Knob to pivot the laser head for a level setting.
3. Follow the instructions for leveling the laser.
4. Turn the laser on if not on already; adjust rotation speed and controls as needed. **Remember:** When working with the DEWALT Digital Laser Detector set the variable control speed to the highest setting (600 RPM).
5. Mount the DEWALT Digital Laser Detector to the Detector Clamp and attach the clamp onto a Grade Rod or other leveling rod.
6. Adjust the clamp to the proper height on the rod for detecting the rotating laser beam and for leveling the foundation.
7. You can now begin to level the area for the foundation.

## Deck Building

1. Follow the instructions in this manual for setting up the laser on a Tripod.
2. Use the Two-Position Pivoting Head Adjustment Knob to pivot the laser head for a level setting.
3. Follow the instructions for leveling the laser.
4. Turn the laser on if not on already; adjust rotation speed and controls as needed. **Remember:** When working with the DEWALT Digital Laser Detector set the variable control speed to the highest setting (600 RPM).
5. Use the DEWALT Digital Laser Detector to locate the rotating laser beam and to set your marks on the posts.
6. You can now begin to lay out and level the deck.



## Maintenance

- To maintain the accuracy of your work, have the laser checked often to make sure it is properly calibrated.
- Calibration checks and other maintenance repairs can be performed by DEWALT service centers. Two free calibration checks are included under the DEWALT One Year Free Service Contract.
- When not in use, store the laser in the kit box provided.
- Do not store your laser in the kit box if the laser is wet. Allow laser to air dry and dry exterior parts with a soft dry cloth.
- Do not store your laser at temperatures below 0° F or above 105°F.

▲ **CLEANING:** Exterior plastic parts may be cleaned with a damp cloth and mild detergent. Although these parts are highly solvent resistant, NEVER use solvents. Use a soft dry cloth to remove moisture from tool and accessories before storage. Never use compressed air to clean the laser.

## Field Calibration Check

This section provides instructions by which you can perform simple field calibration checks of your DEWALT Rotary Laser. These checks cannot take the place of professional calibration done by a DEWALT service center.

These instructions will help you check for the three types of out-of-level errors.

- **Tilt Error** - checks that rotation of the head in your Rotary Laser is perfectly level.
- **Cone Error** - checks that the laser beams are not at an angle relative to the level head.
- **Plumb Error** - checks the calibration of the plumb leveling vial.

### TILT ERROR CHECKS

#### Horizontal Checking for Front to Back Tilt Error

- Set up a tripod midway between 2 vertical surfaces about 100' apart.

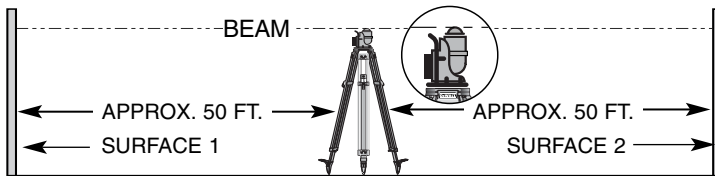


FIG. AA - UNIT FACING RIGHT

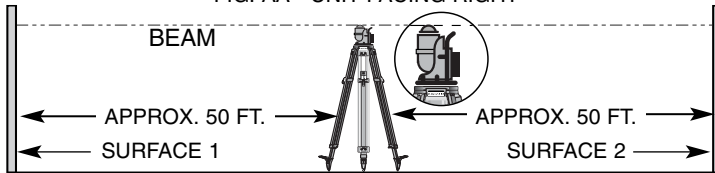


FIG. BB - UNIT FACING LEFT

- Mount your Rotary Laser on a tripod so it is aimed front-to-back toward the vertical surfaces. (next page)
- Level the Laser, following the procedure in the “Horizontal Leveling” section of this manual.
- **Quick Check:**
  1. Compare the position of the bubbles in the front and rear vials (Fig. AA).
  2. If the two bubbles are not in about the same position in their vials, (both about centered) have your Rotary Laser calibrated at a DEWALT service center.
- Turn the unit on so that the lasers are on and rotating.
- Go to surface #1 and mark the center of the beam. If it is difficult to see the beam, use your Laser Enhancement Glasses, Target Card or optional DW0732 Digital Laser Detector.
- Go to surface #2 and mark the center of the beam.
- Loosen the screw holding the Laser to the tripod, but do not remove the Laser.

- Rotate the Laser 180° (Fig. BB)
- Level the Laser again, following the procedure in the “Horizontal Leveling” section of this manual.
- Turn the unit on if it is not already on, so the lasers are on and rotating.
- Go to surface #1 and mark the center of the beam.
- Go to surface #2 and mark the center of the beam.
- Measure the difference between the marks on surface #1.
- Measure the difference between the marks on surface #2.
- The difference between the marks on surface #1 must equal the difference between the marks on surface #2. If these are not equal, there was user set up or marking error.
- If the difference between the marks on surface #1 is 1/4" or less, the Laser is properly calibrated.
- If the difference between the marks on surface #1 is more than 1/4", have your Rotary Laser calibrated at a DEWALT service center.

#### HORIZONTAL CHECKING FOR SIDE-TO-SIDE TILT ERROR

- Set up tripod midway between 2 vertical surfaces 100' from each other.
- Mount your Rotary Laser on a tripod so that it is aimed side-to-side toward the vertical surfaces.
- Level the Laser, following the procedure in the “Horizontal Leveling” section of this manual.
- Turn the unit on so that the lasers are on and rotating.
- Go to surface #1 and mark the center of the beam. If it is difficult to see the beam use one of the aids mentioned earlier.
- Go to surface #2 and mark the center of the beam.
- Loosen the screw holding the Laser to the tripod but do not remove the Laser.
- Rotate the Laser 180°.
- Level the Laser again, following the procedure in the “Horizontal Leveling” section.

- Turn the unit on if not already on, so that the lasers are on and rotating.
- Go to surface #1 and mark the center of the beam.
- Go to surface #2 and mark the center of the beam.
- The difference between the marks on surface #1 must equal the difference between the marks on surface #2. If these are not equal, there was user set up or marking error.
- If the difference between the marks on surface #1 is 1/4" or less, the Laser is properly calibrated.
- If the difference between the marks on surface #1 is more than 1/4", have your Rotary Laser calibrated at a DEWALT service center.

#### **CONE ERROR CHECK**

- Your DEWALT Rotary Laser contains 2 laser diode assemblies. It is highly unlikely that both lasers would have shifted by identical amounts. The easiest way to test for possible "cone error" is to compare the two laser beams.
- Level the laser, following instructions in the "Horizontal Leveling" section of this manual.
- **Quick Check:**
  1. Turn the unit on so that the lasers are on and rotating.
  2. You should see a single red line on a vertical surface. If you see a double line, have your Rotary Laser calibrated by a DEWALT service center.
- Turn unit on so that the lasers are on but NOT rotating.
- Using the Manual Rotation Button, rotate the head so that the lasers appear as two dots on a vertical surface about 25 feet away.
- Compare the vertical position of the center of each laser beam. The centers should be within 3/32"(vertically) of each other.
- If the centers of the two beams differ by more than 3/32" (vertically), then have your Rotary Laser calibrated at a DEWALT service center.

#### **PLUMB ERROR CHECK**

- Set up a tripod about 25 feet from a vertical surface.
- Mount your Rotary Laser on the tripod.
- Following the procedure in the "Two Position Pivoting Head" section of this manual, set the Rotary Laser head in the plumb position.
- Hang a plumb bob from the vertical surface.
- Level the laser, following instructions in the "Vertical Plumbing" section of this manual.
- Turn the unit on so that the lasers are on and rotating.
- Rotate the laser on the tripod so that the beam is in the line with the plumb bob.
- Ensure that the laser is still level.
- If the beam lies along the same line as the plumb bob string, then the calibration is acceptable.
- If the beam does not lie along the same line as the plumb bob string, have your Rotary Laser calibrated at a DEWALT service center.

#### **Accessories**

Recommended accessories for use with your tool are available at extra cost from your local service center. If you need any assistance in locating any accessory, please contact DEWALT Industrial Tool Co., 701 East Joppa Road, Baltimore, MD 21286 or call 1-800-4-DEWALT. (1-800-433-9258) See our catalog on the World Wide Web at [www.DEWALT.com](http://www.DEWALT.com).

**▲ CAUTION:** *The use of any non-recommended accessory may be hazardous.*

#### **Repair**

To assure product SAFETY and RELIABILITY, repairs, maintenance and adjustment should be performed by certified service centers or other qualified service organizations, always using identical replacement parts.

### Three Year Limited Warranty

DEWALT will repair, without charge, any defects due to faulty materials or workmanship for three years from the date of purchase. This warranty does not cover part failure due to normal wear or tool abuse. For further detail of warranty coverage and warranty repair information, visit [www.dewalt.com](http://www.dewalt.com) or call 1-800-4-DEWALT (1-800-433-9258). This warranty does not apply to accessories or damage caused where repairs have been made or attempted by others. This warranty gives you specific legal rights and you may have other rights which vary in certain states or provinces.

In addition to the warranty, DEWALT tools are covered by our:

#### 1 YEAR FREE SERVICE

DEWALT will maintain the tool and replace worn parts caused by normal use, for free, any time during the first year after purchase.

#### 2 YEARS FREE SERVICE ON XRP™ BATTERY PACKS

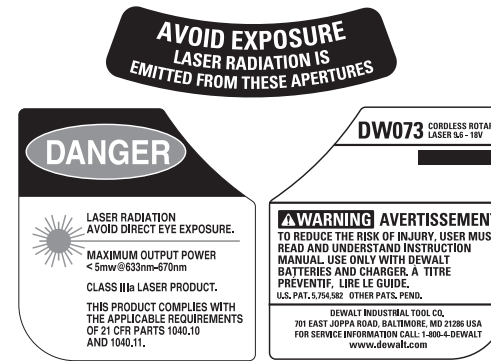
DC9096, DC9091 and DC9071

#### 90 DAY MONEY BACK GUARANTEE

If you are not completely satisfied with the performance of your DEWALT Power Tool, Laser, or Nailer for any reason, you can return it within 90 days from the date of purchase with a receipt for a full refund – no questions asked.

**LATIN AMERICA:** This warranty does not apply to products sold in Latin America. For products sold in Latin America, see country specific warranty information contained either in the packaging, call the local company or see website for warranty information.

**FREE WARNING LABEL REPLACEMENT:** If your warning labels become illegible or are missing, call 1-800-4-DEWALT for a free replacement.



### Troubleshooting Guide

This guide is intended to assist you in determining why the laser is not operating to your expectations. These are some of the most commonly asked questions or observances. If you still have questions or problems with your DEWALT laser after completely reading through this Troubleshooting Guide and instruction manual, call our toll free Hot Line at 1-800-4-DEWALT or visit one of our service centers.

#### THE BATTERY WILL NOT LOCK IN PLACE

See “Installing the Battery Pack”

#### THE LASER WILL NOT TURN ON

Ensure that a fully charged battery is properly inserted into the tool. **TIP:** See “Installing the Battery Pack” section. Rotate the ON/OFF VARIABLE SPEED Knob clockwise to turn the power on. **TIP:** See “Control Panel” section. If the laser still doesn't turn on, take the tool to a DEWALT service center.

**AFTER TURNING THE LASER ON, 2 LASER DOTS ARE PROJECTED FROM THE ROTARY HEAD**

The DW073 Cordless Rotary Laser has been designed with dual, side by side laser diodes. Two diodes allows the laser to avoid blind spots which could potentially be created by the protective cap over the rotary head and also produce an extremely bright beam when the rotary laser head is spun.

**THE LASER IS PROJECTING 2 LASER LINES WHEN THE LASER HEAD IS ROTATED**

Take the laser to a DEWALT service center for calibration.

**THE POWER LED LIGHT IS FLASHING, THE ROTARY HEAD HAS STOPPED SPINNING AND THE LASER DIODES HAVE SHUT DOWN.**

This indicates that the battery pack needs to be recharged. **TIP:** See “Removing the Battery Pack” and “Charging Procedures.”

**THE BUMP SENSOR WARNING LED LIGHT IS FLASHING**

See “Bump Sensor” section for operating instructions.

**THE BUMP SENSOR WILL NOT TURN THE LASER OFF AFTER THE TOOL HAS GONE OUT OF LEVEL**

The Bump Sensor is NOT AN OUT OF LEVEL SENSOR. See “Bump Sensor” section.

**THE ROTATING LASER BEAM IS DIFFICULT TO SEE INDOORS**

Ambient light conditions will influence the visibility of the laser beam. To aid in beam visibility, adjust the rotation speed using the ON/OFF VARIABLE SPEED SWITCH. **Remember:** Slow Speed = Bright Beam; Fast Speed = Solid Beam. Wearing the Laser Enhancement Glasses can also help you see the beam better.

**I NEED TO ADJUST THE LASER FOR A VERTICAL / PLUMB ORIENTATION**

See “Two-Position Pivoting Head” section.

**I NEED TO ADJUST THE LASER FOR MOUNTING ON A WALL**

See “Wall Mount” section.

**THE LASER ROCKS WHEN POSITIONED ON THE FLOOR**

The laser is designed to sit on 3 contact points for maximum stability. Two of these contact points are stationary while the third is adjustable. To roughly position the tool on the floor adjust the Base Leveling Knob, which is located under the battery pack.

**I NEED TO STOP THE ROTARY HEAD ROTATION TO DIRECT THE LASER DOT ONTO A MARK OR TO SET A MARK**

See “Manual Head Rotation” section.

**THE BUBBLE(S) IN THE VIAL(S) WILL NOT MOVE WHEN ATTEMPTING TO LEVEL THE LASER**

The tool must be positioned on a relatively smooth and level surface before being leveled. The laser cannot be leveled if the tool is set up outside of its leveling range. **TIP:** Use the Base Leveling Knob to roughly level the tool before attempting to level the laser with the leveling knobs. **TIP:** Make sure that the Two-Position Pivoting Head is locked into either the plumb or level setting before attempting to level the laser. See “Two-Position Pivoting Head” section.

**I CAN ONLY ADJUST THE BUBBLE IN THE PLUMB VIAL WHEN ATTEMPTING TO PROJECT A VERTICAL LASER LINE**

See “Vertical Plumbing” section for instructions on projecting a vertical laser line.

**COLD STORAGE INFORMATION**

After storing this product in extremely cold conditions, the laser head may not immediately rotate when turned on. The rotary head may be started by depressing and turning the Manual Rotation Button counter-clockwise.

SI VOUS AVEZ DES QUESTIONS OU VOULEZ NOUS FAIRE PART DE VOS COMMENTAIRES CONCERNANT CET OUTIL OU TOUT AUTRE OUTIL DEWALT, COMPOSEZ SANS FRAIS LE :

1 800 433-9258.

### Introduction

Le laser rotatif sans fil DW073 est un outil laser à nivellement manuel pouvant être utilisé tant à l'intérieur qu'à l'extérieur pour réaliser des travaux d'alignement vertical et horizontal. L'outil est complètement assemblé au moment de sa livraison. Il peut accomplir toute une variété de tâches, depuis l'installation d'un plafond insonorisant, jusqu'au nivellement d'un mur par rapport à une fondation, en passant par la construction d'une terrasse. Cet outil novateur présentant de nombreuses caractéristiques permet d'effectuer les opérations d'installation et de réglage rapidement et aisément, permettant du même coup d'augmenter la productivité de l'utilisateur. On recommande de lire et de comprendre toutes les directives et consignes contenues dans le présent manuel avant d'utiliser cet outil.

### Règles générales de sécurité concernant les outils à piles

**⚠ AVERTISSEMENT!** Lire et comprendre toutes les directives, car le non-respect des directives suivantes pourrait entraîner un choc électrique, un incendie ou des blessures graves.

### CONSERVER CES DIRECTIVES

#### ZONE DE TRAVAIL

- **Garder la zone de travail propre et bien éclairée;** les établis encombrés et les endroits sombres sont propices aux accidents.
- **Ne pas utiliser les outils électriques dans une atmosphère explosive, comme à proximité de liquides, de gaz ou de poussières inflammables;** le moteur peut créer des étincelles et enflammer les vapeurs ou les poussières environnantes.

- **Tenir les enfants, les visiteurs ou toute autre personne à l'écart lorsqu'on utilise un outil électrique;** les distractions peuvent faire perdre la maîtrise de ce dernier.

#### MESURES DE SÉCURITÉ : ÉLECTRICITÉ

- **Un outil à piles intégrées ou à bloc-piles externe doit être rechargé seulement au moyen du chargeur approprié,** car un chargeur destiné à une pile particulière pourrait entraîner un risque d'incendie lorsqu'il est utilisé avec une autre.
- **N'utiliser l'outil à piles qu'avec le bloc-piles désigné,** car l'utilisation d'un autre type de piles pourrait entraîner un risque d'incendie.

#### SÉCURITÉ PERSONNELLE

- **Rester vigilant en tout temps et faire preuve de jugement lorsqu'on utilise un outil électrique;** ne pas utiliser l'outil lorsqu'on est fatigué ou sous l'influence de drogues, d'alcool ou de médicaments, car un moment d'inattention pourrait entraîner des blessures graves.
- **Porter des vêtements appropriés;** ne pas porter de vêtements amples ni de bijoux. Couvrir ou attacher les cheveux longs. Garder les cheveux, les vêtements, les bijoux et les gants éloignés des pièces mobiles, car ceux-ci peuvent s'y coincer. Se tenir éloigné des événements puisque ces derniers pourraient camoufler des pièces mobiles.
- **Éviter les démarrages accidentels;** s'assurer que l'interrupteur soit placé en position de verrouillage ou d'arrêt avant d'insérer le bloc-piles. Ne pas transporter l'outil en laissant le doigt sur l'interrupteur ni insérer le bloc-piles lorsque l'outil est en position de marche, car cela pourrait causer un accident.
- **Ne pas trop étendre les bras;** les pieds doivent rester ancrés fermement sur le sol afin de maintenir son équilibre en tout temps et de mieux maîtriser l'outil dans des situations imprévues.
- **Utiliser le matériel de sécurité approprié;** toujours porter des lunettes de protection. Porter un masque anti-poussières, des chaussures antidérapantes, un casque de sécurité ou des protecteurs auditifs lorsque la situation le requiert.



## UTILISATION ET ENTRETIEN DE L'OUTIL

- **Fixer et soutenir l'ouvrage sur une plate-forme stable au moyen d'une bride de serrage ou de tout autre dispositif semblable;** l'ouvrage est instable lorsqu'on le retient manuellement ou qu'on l'appuie contre le corps, ce qui pourrait faire perdre la maîtrise de l'outil.
- **Ne pas utiliser l'outil lorsque l'interrupteur de marche-arrêt ne fonctionne pas;** tout outil qui ne peut être commandé au moyen de l'interrupteur est dangereux et doit être réparé.
- **Débrancher le bloc-piles de l'outil ou mettre l'interrupteur en position de verrouillage ou d'arrêt avant d'effectuer un réglage, de changer les accessoires ou de ranger l'outil;** ces mesures de sécurité préventives réduisent les risques de démarrage accidentel.
- **Lorsqu'on n'utilise pas l'outil, le ranger hors de la portée des enfants ou des personnes non qualifiées;** les outils sont dangereux entre les mains de personnes inexpérimentées.
- **Lorsqu'on n'utilise pas le bloc-piles, le ranger à l'écart des objets métalliques tels que les trombones, les pièces de monnaie, les clés, les clous, les vis ou autres petits objets susceptibles de conduire l'électricité entre les bornes et d'occasionner ainsi des étincelles, des brûlures ou un incendie.**
- **Vérifier les pièces mobiles afin de s'assurer qu'elles soient bien alignées et qu'elles ne restent pas coincées;** vérifier également les pièces afin de s'assurer qu'il n'y ait aucun bris ni aucune autre condition susceptible de nuire au bon fonctionnement de l'outil. Faire réparer l'outil si ce dernier est endommagé avant de s'en servir à nouveau, car les accidents sont souvent causés par des outils mal entretenus.
- **N'utiliser que les accessoires recommandés par le fabricant pour le modèle concerné;** un accessoire destiné à un outil particulier peut devenir dangereux lorsqu'il est utilisé avec un autre.

## ENTRETIEN

- **L'outil doit être entretenu ou réparé par le personnel qualifié seulement;** toute maintenance effectuée par une personne non qualifiée pourrait entraîner des risques de blessure.

### Règles de sécurité additionnelles

**⚠ AVERTISSEMENT! NE PAS DÉMONTER LE NIVEAU LASER.** L'outil ne comprend aucune pièce interne destinée à être entretenue par l'utilisateur. Le fait de démonter ce niveau laser annulera toute garantie appuyant ce produit; on ne doit jamais modifier ce dernier de quelque manière que ce soit.

Ces dispositifs sont conformes aux dispositions de la partie 15 des règlements de la FCC. Le fonctionnement doit respecter les deux conditions suivantes : (1) ce dispositif ne doit pas causer de brouillage nuisible, et (2) ce dispositif doit accepter tout brouillage qu'il reçoit, y compris celui qui cause un fonctionnement indésirable. **REMARQUE** : les essais ont démontré que cet appareil respecte les limites régissant un dispositif numérique de classe B, conformément aux dispositions de la partie 15 des règlements de la FCC. Le but de ces limites est de fournir une protection raisonnable contre le brouillage nuisible dans une installation résidentielle. Cet appareil génère, utilise et peut produire une énergie radiofréquence rayonnée et, lorsqu'il n'est pas installé et utilisé conformément aux directives, peut causer le brouillage nuisible des communications radio. Cependant, il n'existe aucune garantie que le brouillage ne se produira pas dans une installation particulière. Si cet appareil entraîne le brouillage nuisible de la réception radio ainsi que celle des programmes de télévision, ce qui peut être déterminé en allumant et en éteignant l'appareil, on invite l'utilisateur à tenter de corriger le problème relié au brouillage au moyen de l'une des deux méthodes suivantes : en réorientant ou en déplaçant l'antenne de réception, en augmentant l'espace entre l'appareil et le récepteur ou en raccordant l'appareil à une prise murale reliée à un circuit autre que celui dans lequel le récepteur est branché. Communiquer avec le distributeur ou un technicien de radio ou de téléviseur qualifié pour obtenir de l'aide.

Cet appareil numérique de la classe B est conforme à la norme NMB-003 du Canada" there are marks over the 1st e in "numerique" and the a after conforme.

**▲ ATTENTION :** *Quelques outils avec de grands paquets de batterie se tiendront droits sur le paquet de batterie mais peuvent être facilement frappés plus de. Quand pas en service, placez l'outil de son côté sur une surface stable où il ne causera pas un risque de déclenchement ou en chute.*

• L'étiquette de l'outil peut comporter les symboles suivants.

V.....volts	A .....ampères
Hz.....hertz	W.....watts
min .....minutes	~ .....courant alternatif
==== .....courant continu	no..... sous vide
☐.....construction de classe II	.../min .....tours ou courses à la minute
⊕.....borne de mise à la terre	▲ .....symbole d'avertissement

### Consignes de sécurité importantes concernant les bloc-piles

L'outil est alimenté au moyen d'un bloc-pile DEWALT de 9,6, de 12,0 de 14,4 ou de 18 volts. Au moment de commander un bloc-pile de rechange, s'assurer d'inclure le numéro de catalogue et la tension appropriée. Les bloc-piles à durée prolongée durent plus longtemps que les bloc-piles standard. Consulter le diagramme à la fin du présent manuel afin de vérifier la compatibilité du chargeur avec le bloc-pile.

**REMARQUE :** Bien que l'outil puisse fonctionner au moyen de l'un ou l'autre de ces bloc-piles, on doit s'assurer d'en choisir un de tension appropriée. Un bloc-pile perd graduellement sa charge s'il n'est pas laissé dans le chargeur; il est donc recommandé de le laisser dans le chargeur en tout temps.

Le bloc-pile n'est pas complètement chargé au moment de sa livraison. Avant d'utiliser le bloc-pile et le chargeur, lire attentivement toutes les consignes de sécurité énumérées ci-dessous et suivre les méthodes de chargement précisées ci-dessous.

### LIRE TOUTES LES DIRECTIVES

- **NE PAS incinérer le bloc-pile même s'il est gravement endommagé ou complètement usé, car il pourrait exploser en présence de flammes.**
  - **Les cellules peuvent subir une fuite légère par suite d'un usage extrême ou d'une exposition à certaines températures; cela n'indique pas un problème. Cependant, si le scellant externe est percé et le liquide entre en contact avec la peau, on doit:**
    - a. se laver rapidement la partie du corps touchée avec de l'eau savonneuse;
    - b. neutraliser l'effet au moyen d'un acide doux tel que du jus de citron ou du vinaigre;
    - c. si les yeux sont touchés, les rincer à fond avec de l'eau propre pendant au moins 10 minutes et consulter immédiatement un médecin. **(REMARQUE AUX FINS MÉDICALES :** ce liquide contient une solution composée de 25 à 35 % d'hydroxyde de potassium).
  - Ne recharger les blocs-piles que dans des chargeurs DEWALT.
  - **NE PAS immerger le chargeur ou le bloc-pile dans l'eau ou tout autre liquide quelconque, ni l'éclabousser.**
  - **Ne pas ranger ou utiliser l'outil et le bloc-pile là où la température ambiante peut excéder 40 °C (105 °F) (comme des hangars ou des bâtiments métalliques en été).**
- ▲ DANGER :** Risques d'électrocution. Ne jamais tenter d'ouvrir le bloc-pile pour quelque raison que ce soit. Si le compartiment se rupture ou subit des dommages, ne pas l'insérer dans le chargeur afin d'éviter les risques de choc électrique ou d'électrocution. On doit retourner les bloc-piles endommagés à un centre de service afin qu'ils puissent être recyclés.

**REMARQUE :** un capuchon est fourni avec la pile en vue d'être utilisé chaque fois qu'on retire cette dernière de l'outil ou du chargeur en vue de la ranger ou de la transporter; enlever le capuchon avant de remettre la pile dans le chargeur ou dans l'outil.

**⚠ AVERTISSEMENT :** S'assurer, au moment de ranger ou de transporter un bloc-pile ou une pile, qu'aucun objet métallique n'entre en contact avec leurs bornes à découvert de celui-ci. Par exemple, il faut éviter de placer un bloc-pile ou une pile sans capuchon dans un tablier, une poche, une boîte à outils ou un tiroir (etc.) contenant des objets tels que des clous, des vis ou des clés, car tout contact entre les bornes à découvert et un objet métallique comme une clé, une pièce de monnaie, un outil à main. etc. pourrait causer un incendie. En effet, les règlements américains Hazardous Material Regulations (HMR) du US Department of Transportation interdisent le transport d'un bloc-pile ou d'une pile dans tout moyen de transport commercial ou aéronautique (que ce soit dans une valise ou le bagage de cabine) SAUF s'ils sont bien protégés contre les courts-circuits. On doit donc s'assurer, lorsqu'on transporte un bloc-pile ou une pile séparément, de bien protéger et isoler les bornes contre tout matériau qui risque d'entrer en contact avec eux et de causer un court-circuit.



### Sceau RBRC<sup>MC</sup>

Le sceau RBRC<sup>MC</sup> de la Rechargeable Battery Recycling Corporation apposé sur la pile au nickel-cadmium (ou le bloc-piles) indique que les coûts de recyclage de ce dernier à la fin de sa vie utile ont déjà été payés par DEWALT. En certains endroits, la mise au rebut ou aux ordures municipales des piles au nickel-cadmium est illégale; le programme de «RBRC» constitue donc une solution des plus pratiques et écologiques.

La «RBRC», en collaboration avec DEWALT et d'autres utilisateurs de piles, a mis sur pied des programmes aux États-Unis dans le but de faciliter la collecte des piles déchargées. DEWALT encourage ses utilisateurs à participer à son programme de protection de l'environne-



ment et de conservation des ressources naturelles en retournant les piles usagées à un centre de service DEWALT ou chez un dépositaire local afin qu'elles puissent être recyclées. On peut en outre se renseigner auprès d'un centre de recyclage local pour connaître d'autres sites les acceptant.

RBRC<sup>MC</sup> est une marque déposée de la Rechargeable Battery Recycling Corporation.

### Consignes de sécurité importantes concernant les chargeurs de piles

**CONSERVER CES DIRECTIVES :** Le présent manuel comprend d'importantes directives et consignes de sécurité concernant les chargeurs de piles.

- Avant d'utiliser le chargeur, lire toute directive et étiquettes de mise en garde apposées sur le chargeur, le bloc-pile et le produit utilisant le bloc-pile.

**⚠ DANGER :** Risques d'électrocution. Les bornes du chargeur conduisent une tension de 120 volts. Ne pas toucher le chargeur ou la borne avec des objets conducteurs, chocs électriques ou électrocution peuvent en résulter.

**⚠ AVERTISSEMENT :** Risques de choc électrique. Ne jamais laisser de liquide s'infiltrer à l'intérieur du chargeur afin d'éviter les risques de choc électrique.

**⚠ MISE EN GARDE :** Risques de brûlure. Afin de réduire les risques de blessure, ne charger que des piles rechargeables au nickel-cadmium DEWALT. Car les autres peuvent éclater et entraîner des blessures ou des dommages matériels.

**⚠ MISE EN GARDE :** Sous certaines conditions, lorsque le chargeur est enfiché au bloc d'alimentation, les contacts de charge exposés à l'intérieur du chargeur peuvent être court-circuités par des corps étrangers. Les corps étrangers de nature conductrice telle que, mais pas limité à, la paille de fer, les feuilles d'aluminium, ou tout accumulation de particules métalliques doivent être tenus éloignés des cavités du chargeur. Toujours débrancher le chargeur du bloc d'alimentation lorsque le bloc-pile n'y est pas inséré ou avant de le nettoyer.

- **NE PAS tenter de charger le bloc-piles avec des chargeurs autres que ceux décrits dans ce manuel.** Le chargeur et le bloc-pile sont conçus spécialement pour être utilisés ensemble.
- **Ces chargeurs n'ont pas été conçus pour une utilisation autre que recharger les piles rechargeables DEWALT.** Toute autre utilisation pose des risques d'incendie, de choc électrique ou d'électrocution.
- **Ne pas exposer le chargeur à la pluie ou à la neige.**
- **Débrancher le chargeur en saisissant la fiche, non le cordon,** afin de réduire les risques d'endommager la fiche ou le cordon électrique.
- **S'assurer que le cordon est placé de manière à éviter qu'il ne subisse des dommages ou des abus ou que des personnes s'y prennent les pieds et trébuchent.**
- **Ne pas utiliser de rallonge à moins que cela ne soit absolument nécessaire,** car l'usage d'une rallonge ayant une puissance inadéquate augmente les risques d'incendie, de choc électrique ou d'électrocution.
- **Afin d'assurer la sécurité de l'utilisateur, utiliser une rallonge du calibre AWG approprié.** Plus le calibre est petit, plus la capacité est grande; autrement dit, une rallonge de calibre 16 est plus puissante qu'une rallonge de calibre 18. Lorsqu'on utilise plusieurs rallonges pour obtenir la longueur voulue, s'assurer que chacune d'elles présente les valeurs minimales requises.

**Calibre minimal recommandé pour les rallonges**

**Longueur totale de la rallonge**

25 pi	50 pi	75 pi	100 pi	125 pi	150 pi	175 pi
7,6 m	15,2 m	22,9 m	30,5 m	38,1 m	45,7 m	53,3 m

**Calibre AWG**

18	18	16	16	14	14	12
----	----	----	----	----	----	----

- **Ne poser aucun objet sur le dessus du chargeur. Ne pas mettre le chargeur sur une surface molle qui pourrait bloquer les événements et provoquer une chaleur interne excessive.** Mettre le chargeur à l'abri de toute source de chaleur. Le chargeur dispose d'orifices d'aération situés sur le dessus et le dessous du boîtier.

- **Ne pas utiliser le chargeur avec un cordon ou une fiche endommagé;** les faire changer immédiatement.
- **Ne pas utiliser le chargeur s'il a reçu un coup, fait une chute ou a été endommagé de quelque façon que ce soit.** Si cela se produit, l'apporter à un centre de service autorisé.
- **Ne pas démonter le chargeur ; l'apporter à un centre de service autorisé pour tout service ou réparation.** Le fait de le réassembler de façon incorrecte augmente les risques de choc électrique, d'électrocution et d'incendie.
- **Débrancher le chargeur de la prise murale avant de procéder au nettoyage afin de réduire les risques de chocs électriques.** Le fait de retirer le bloc-pile ne réduit pas ce risque.
- **NE JAMAIS tenter de connecter 2 chargeurs ensemble.**
- **Le chargeur est conçu pour être utilisé sur une prise résidentielle standard de 120 volts. Ne pas tenter de le brancher sur une prise autre que celle pour laquelle il a été conçu.** Cette directive ne s'applique pas aux chargeurs pour véhicules.

**Utilisation du mode Tune-up<sup>MC</sup> Automatique**

Le mode de Tune-Up<sup>MC</sup> Automatique égalise ou équilibre chaque cellule du bloc-piles pour lui permettre de fonctionner à son rendement optimum. Les blocs-piles doivent être réglés chaque semaine ou après une dizaine de cycles de charges/décharges ou chaque fois que la durée de fonctionnement du bloc-piles diminue. Pour utiliser le Tune-Up<sup>MC</sup> Automatique, mettre le bloc-piles dans le chargeur et l'y laisser pendant au moins 8 heures. Le chargeur passera par les modes suivants :

1. Le voyant rouge clignotera de façon continue indiquant que le cycle de chargement d'une heure a commencé.
2. Lorsque ce dernier est terminé, le voyant restera allumé sans clignoter. Cela indique que le bloc-piles est chargé à plein et peut être alors utilisé.



convertisseur de courant continu en courant alternatif, le chargeur peut alors suspendre temporairement le chargement. En présence d'un tel problème, le chargeur émet deux **clignotements rapides, suivis d'une pause**, indiquant que le problème se situe au niveau de la source de puissance.

#### **BLOC-PILES LAISSÉ DANS LE CHARGEUR**

Le chargeur et son bloc-piles peuvent rester connectés avec le voyant rouge allumé indéfiniment. Le chargeur maintiendra la pile pleinement chargée.

**REMARQUE** : Un bloc-pile perdra graduellement sa charge s'il est laissé hors du chargeur. Si le bloc-pile n'a pas été maintenu en mode de maintenance de charge, il peut être nécessaire de le recharger avant chaque utilisation. Un bloc-pile peut aussi perdre sa charge graduellement s'il est laissé dans un chargeur qui n'est pas branché à une source de courant alternatif appropriée.

**BLOC-PILE FAIBLE** : Les chargeurs peuvent aussi détecter les piles faibles. Ces piles sont encore utilisables mais leur durée d'utilisation sera courte. Dans ce cas, 10 secondes après l'insertion de la pile, le chargeur émettra rapidement huit signaux sonores pour indiquer que la pile est faible. Le chargeur se mettra ensuite à recharger la pile à sa capacité maximale.

#### **Notes importants concernant le chargement**

1. Pour une durée de vie prolongée et des performances optimales, recharger le bloc-piles à une température ambiante de 18° à 24 °C (65 °F à 75 °F). NE PAS recharger le bloc-piles dans un lieu où la température ambiante est inférieure à +4.5 °C (+40 °F), ou supérieure à +40.5 °C (+105 °F). C'est important pour prévenir tout dommage sérieux au bloc-piles.
2. Le chargeur et son bloc-piles peuvent devenir chaud au toucher pendant le chargement. C'est normal et ne représente en aucun cas une défaillance du produit. Pour faciliter le refroidissement du bloc-piles après usage, éviter de laisser le chargeur ou le bloc-

piles là où la température ambiante est élevée comme dans un hangar métallique ou une caravane non isolée.

3. Si le bloc-piles ne se recharge pas correctement :
  - a. Vérifier le courant à la prise en y branchant une lampe ou tout autre appareil.
  - b. Vérifier que la prise n'est pas commandée par un interrupteur qui coupe le courant en éteignant les lumières.
  - c. Déplacer le chargeur et le bloc-piles dans un lieu où la température ambiante est entre environ 18° et 24 °C (65 °F et 75 °F).
  - d. Si le problème persiste, ramener l'appareil, le bloc-piles et le chargeur à un centre de service local.
4. Recharger le bloc-piles lorsqu'il ne produit plus assez de puissance pour effectuer un travail qu'il faisait facilement auparavant. NE PAS CONTINUER à utiliser dans ces conditions. Suivre la méthode de chargement. Il est aussi possible de recharger partiellement un bloc-piles vide si nécessaire sans effet adverse pour le bloc-piles.
5. Sous certaines conditions, lorsque le chargeur est enfiché au bloc d'alimentation, les contacts de charge exposés à l'intérieur du chargeur peuvent être court-circuités par des corps étrangers. Les corps étrangers de nature conductrice telle que, mais pas limité à, la paille de fer, les feuilles d'aluminium, ou tout accumulation de particules métalliques doivent être tenus éloignés des cavités du chargeur. Toujours débrancher le chargeur du bloc d'alimentation lorsque le bloc-pile n'y est pas inséré ou avant de le nettoyer.
6. Ne pas congeler ou immerger le chargeur de pile dans l'eau ou tout autre liquide.

**⚠ AVERTISSEMENT** : Risques de choc électrique. Ne jamais laisser de liquide s'infiltrer à l'intérieur du chargeur afin d'éviter les risques de choc électrique.

**⚠ MISE EN GARDE** : Ne jamais tenter d'ouvrir le bloc-piles pour quelque raison que ce soit. Si le boîtier plastique du bloc-piles casse ou se fend, le retourner à un centre de service pour y être recyclé.

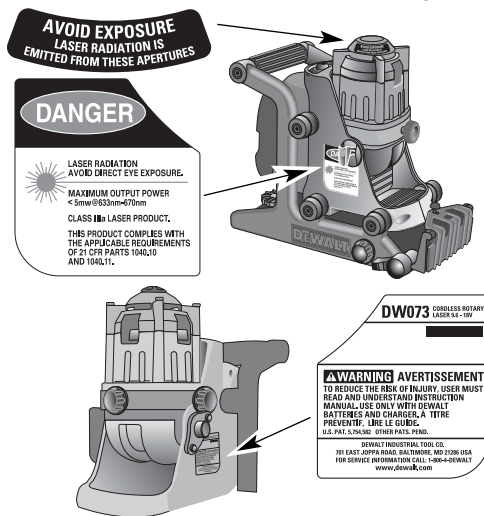


## DIRECTIVES CONCERNANT LE NETTOYAGE DU CHARGEUR

**⚠ AVERTISSEMENT :** Risques de choc électrique. Débrancher le chargeur de la prise murale à courant alternatif avant de procéder au nettoyage. Éliminer la saleté et la graisse s'étant accumulées à l'extérieur du chargeur au moyen d'un linge propre et d'une brosse douce non métallique; ne pas utiliser de solution nettoyante ni d'eau.

## Mesures de sécurité relatives au laser rotatif

Le laser rotatif sans fil DW073 est répertorié en tant que PRODUIT À LASER DE CLASSE IIIa; il est conforme aux exigences pertinentes contenues au chapitre 21 du Code of Federal Regulations (ou CFR) des États-Unis établies par les organismes américains suivants : le Department of Health, Education and Welfare, le Food and Drug Administration et le Center for Devices and Radiological Health.



**⚠ DANGER : CE PRODUIT ÉMET DES RAYONNEMENTS LASER. NE JAMAIS REGARDER DIRECTEMENT LE FAISCEAU LASER.**

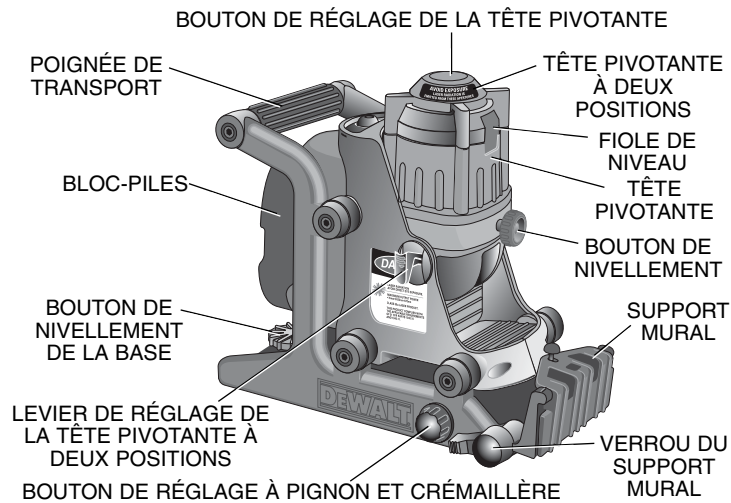
**⚠ MISE EN GARDE :** L'utilisation des instruments optiques avec ce produit augmentera des dangers à l'oeil.

- Placer le laser de manière à ce qu'il soit juste au-dessus ou en-dessous de la hauteur des yeux.
- **NE PAS** démonter l'outil laser; ce dernier ne comprend aucune pièce interne destinée à être entretenue par l'utilisateur.
- Lorsque le laser doit être utilisé au-dessus de la tête ou à bout de bras, on doit toujours l'accrocher au plafond au moyen d'un crochet prévu à cette fin ou d'un dispositif semblable en plus d'utiliser un support mural afin de s'assurer qu'il soit bien retenu au mur. Pour obtenir de plus amples renseignements à ce sujet, consulter la section « Installation au mur » du présent manuel.
- L'utilisation de procédures, de commandes ou de réglages autres que ceux précisés aux présentes pourrait entraîner des risques d'exposition aux rayonnements laser.
- **NE PAS** modifier le laser de quelque manière que ce soit afin d'éviter les risques d'exposition aux rayonnements laser.
- Les opérations de réparation et d'entretien doivent être effectuées dans un centre qualifié seulement.
- **NE PAS** autoriser les enfants à utiliser le laser.
- **NE PAS** utiliser le laser en présence d'un enfant.
- **NE PAS** retirer les étiquettes d'avertissement affixées sur l'outil.
- Selon les conditions d'utilisation de l'outil, il pourrait s'avérer nécessaire d'afficher l'étiquette d'avertissement « **DANGER** » fourni avec ce produit.

## Conseils d'utilisation

- S'assurer que la pile soit complètement chargée; le témoin à DEL clignote lorsqu'on doit la recharger.
- Afin de prolonger la durée de vie de la pile, mettre l'outil hors tension dès que le faisceau laser n'est plus utilisé.





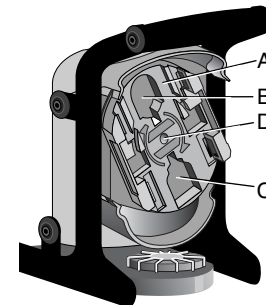
- Étalonner fréquemment l'outil afin d'en assurer la précision. Pour ce faire, consulter la section « Vérification de l'étalonnage » du présent manuel.
- Avant de procéder au nivellement du laser, s'assurer qu'il soit déposé sur une surface relativement plane.
- Plus les bulles à l'intérieur du flacon sont centrées, plus le faisceau laser sera précis.
- Le laser DEWALT est muni de deux diodes laser, installées côte à côte, qui procurent un faisceau hautement visible lorsque la tête est en rotation.
- Toujours considérer le centre du trait ou du point obtenu par le laser pour effectuer une marque.
- Installer le laser au centre de la zone de travail afin d'en améliorer la distance et la précision.

- Lorsqu'on installe le laser sur un trépied ou au mur, on doit s'assurer qu'il soit fixé solidement.
- Lorsqu'on utilise le laser à l'intérieur, une vitesse de rotation de la tête pivotante plus lente produira un faisceau plus clair, tandis qu'une vitesse plus rapide procurera un faisceau plus continu.
- On peut accroître la visibilité du faisceau laser ou mieux cerner ce dernier en portant les verres d'accentuation à laser fournis ou en utilisant la carte indicatrice de cibles à laser.
- On peut transférer rapidement et aisément un point laser en tournant le bouton de réglage manuel situé sur le dessus de la tête pivotante. Consulter la section « Commande de la tête pivotante » pour obtenir plus de renseignements à ce sujet.
- Les variations de températures extrêmes peuvent occasionner le mouvement des pièces internes et nuire à la précision de l'outil. On recommande donc de vérifier souvent cette dernière lorsqu'on utilise l'outil.
- Si on utilise le détecteur laser numérique de DEWALT, on doit placer la commande de vitesse variable du laser à la position la plus élevée (600 tr/min).
- L'outil est doté d'un détecteur d'impact servant à avertir l'utilisateur si l'outil a été déplacé après son installation.
- Si l'outil subit une chute ou s'il est renversé lorsqu'on l'installe sur un trépied, on doit en faire vérifier le système d'étalonnage dans un centre de service qualifié avant de l'utiliser de nouveau.

### Installation et retrait du bloc-piles

**REMARQUE :** s'assurer que le bloc-piles soit complètement chargé.

**Pour installer le bloc-piles dans le laser rotatif,** faire pivoter la plaque d'adaptation (A) dotée du logement prévu pour un bloc-



piles de 9,6, de 12 ou de 14,4 volts (B) ou pour un bloc-piles de 18 volts (C); aligner le logement avec les éléments de contact des piles (ces derniers doivent être orientés vers l'intérieur), puis glisser le bloc-piles fermement dans le laser rotatif jusqu'à ce qu'on entende un déclic indiquant qu'il est bien enclenché.

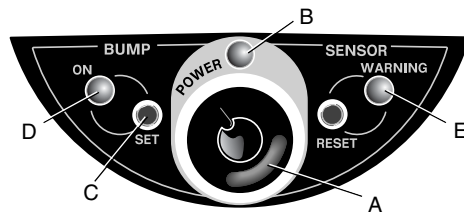
**Pour retirer le bloc-piles de l'outil, appuyer légèrement sur le bloc-piles, puis sur les boutons de dégagement et tirer fermement le bloc-piles hors de son compartiment au moyen de la tige d'éjection (D) prévue à cette fin. Pour recharger le bloc-piles, l'insérer dans le chargeur selon les directives contenues dans la section concernant le chargeur du présent manuel.**

### **Panneau de commande**

Le panneau de commande comprend l'interrupteur de marche-arrêt / vitesse variable, l'indicateur de décharge ainsi que les boutons de commande du détecteur d'impact et les témoins à DEL.

Pour mettre le laser en marche, on doit :

- Insérer le bloc-piles complètement chargé dans le logement approprié de la plaque d'adaptation en s'assurant qu'il soit bien enclenché;
- Tourner le bouton marche-arrêt (A) vers la droite pour faire fonctionner le laser. Les deux diodes laser se mettent alors en marche et le témoin d'alimentation à DEL (B) s'allume. La tête pivotante demeure immobile si on ne tourne le bouton que d'un quart de tour, puis se met à tourner à mesure qu'on pousse le bouton de vitesse variable vers la droite. La vitesse de rotation de la tête pivotante varie entre 0 et 600 tr/min. Le témoin d'alimentation à DEL reste



allumé tant que l'interrupteur est en position de marche et que la pile est chargée.

### **INDICATEUR DE DÉCHARGE DU BLOC-PILES**

L'outil DW073 est muni d'un indicateur de décharge de piles. Un témoin à DEL clignotant indique quand le bloc-piles doit être rechargé. Toutes les autres fonctions électroniques de l'outil seront mises hors tension, y compris les diodes laser. Pour recharger le bloc-piles, suivre les directives contenues dans le présent manuel.

### **ARRÊT DU LASER**

Pour arrêter le laser, tourner le bouton marche-arrêt vers la gauche jusqu'à ce qu'on entende un déclic; les diodes laser sont ainsi mises hors tension et le témoin d'alimentation à DEL s'éteint.

### **VITESSES DE ROTATION**

La commande de vitesse variable peut servir à mieux voir ou à mieux cerner le faisceau laser. Plus la vitesse est lente, plus le faisceau est clair, et plus la vitesse est rapide, plus le faisceau est continu. Le laser doit fonctionner à HAUTE vitesse (600 tr/min) lorsqu'on l'utilise avec un détecteur laser numérique.

**REMARQUE :** vitesse lente = faisceau clair; vitesse rapide = faisceau continu.

### **Détecteur d'impact**

Le laser rotatif sans fil DW073 est muni d'un DÉTECTEUR D'IMPACT qui sert à avertir l'utilisateur lorsque le niveau laser a été déplacé après avoir été installé et nivelé. Utilisé correctement, ce dispositif peut aider à accroître la précision de l'outil en assurant la stabilité horizontale et verticale de l'outil tout au long du travail. L'indicateur d'impact n'EST PAS UN INDICATEUR DE DÉFAUT DE NIVELLEMENT et n'avertit donc pas l'utilisateur lorsque le laser est hors niveau (à moins que ce dernier se soit déplacé). Il est donc important de vérifier fréquemment les positions horizontale et verticale de l'outil afin d'en assurer la précision.

### COMMANDES DU DÉTECTEUR D'IMPACT

Le détecteur d'impact est actionné lorsque le laser est en marche. Les commandes permettent de sélectionner l'un des deux modes de détection décrits ci-dessous.

#### MODE DE DÉTECTION NO 1

##### TÉMOIN À DEL CLIGNOTANT SEULEMENT

Insérer une pile complètement chargée dans l'outil, puis tourner le bouton à la position de marche; le détecteur est automatiquement actionné.

- Mettre le laser de niveau afin d'établir un point de référence.
- Sélectionner la vitesse de rotation.
- Si le niveau laser est déplacé, le témoin d'avertissement à DEL (E) se met à clignoter afin d'avertir l'utilisateur.
- Vérifier la position du laser en le comparant au point de référence avant de poursuivre les travaux; remettre de niveau, le cas échéant.
- Appuyer sur le bouton de réenclenchement du détecteur d'impact (F) pour arrêter le clignotement du témoin à DEL et réactiver la fonction de détection.

#### MODE DE DÉTECTION NO 2

##### TÉMOIN D'AVERTISSEMENT À DEL CLIGNOTANT, DIODES LASER CLIGNOTANTES ET ARRÊT DE ROTATION

Insérer une pile complètement chargée, puis tourner le bouton à la position de marche; le détecteur est automatiquement actionné.

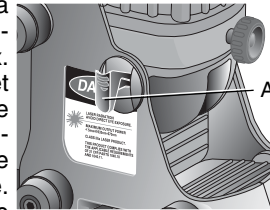
- Mettre le laser de niveau afin d'établir un point de référence.
- Sélectionner la vitesse de rotation.
- Appuyer sur le bouton de réglage du détecteur d'impact (C) pour actionner le deuxième mode de détection; le témoin à DEL (D) s'allumera.
- Si le niveau laser est déplacé, le témoin d'avertissement à DEL (E) et les deux diodes laser se mettent à clignoter, et la tête laser arrête de tourner, le cas échéant.

- Vérifier la position du laser en le comparant au point de référence avant de poursuivre les travaux; remettre de niveau, le cas échéant.
- Appuyer sur le bouton de réenclenchement du détecteur d'impact (F) pour arrêter le clignotement du témoin à DEL (bien qu'il reste allumé) et réactiver la fonction de détection; les diodes laser arrêteront de clignoter et la tête laser recommencera à tourner, le cas échéant.

Pour réactiver le mode de détection no 1, appuyer de nouveau sur le bouton de réglage du détecteur d'impact (C). Le témoin à DEL (D) s'éteindra, indiquant que le laser est revenu au mode de détection no 1.

### Tête pivotante à deux positions

Cet outil est muni d'une tête pivotante à deux positions permettant un réglage rapide et aisé lorsqu'on effectue des travaux. La tête pivotante à deux positions permet en effet de positionner le laser en vue de réaliser un alignement horizontal ou vertical ou encore, de régler le laser afin de l'utiliser avec le support mural intégré.



Cette caractéristique sert à verrouiller le niveau laser dans l'une ou l'autre des deux positions prédéterminées (horizontale ou verticale) au moyen d'une cheville d'arrêt à ressort. Afin de régler la position de la tête laser, on doit suivre les directives suivantes :

1. Situer le levier de réglage de la tête pivotante à deux positions (A) sur le côté du niveau laser, près de l'étiquette d'avertissement « DANGER ».
2. Pour faire pivoter la tête laser, déplacer le levier de réglage d'environ un quart de tour afin de dégager la cheville d'arrêt à ressort retenant la tête. On doit ÉVITER de dégager complètement le levier afin de ne pas endommager la cheville; le levier est conçu pour pouvoir libérer la tête pivotante lorsqu'il n'est soulevé que d'un quart de tour.

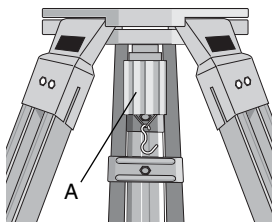
- Une fois le levier soulevé d'environ un quart de tour d'une main, faire pivoter la tête laser d'environ 90° de l'autre main, jusqu'à ce qu'elle se bloque.
- Relâcher le levier de réglage, en s'assurant que la cheville d'arrêt à ressort soit bien enclenchée; la tête laser devrait être bien fixée et prête à utiliser.
- Suivre les directives concernant le réglage du laser en position horizontale ou verticale. Pour positionner l'outil en vue de l'utiliser sur un mur, consulter la section « Installation au mur » du présent manuel.
- Pour remettre la tête laser en position initiale, reprendre les étapes de 2 à 4 décrites ci-dessus.

### Installation au sol, au mur ou sur trépied

Les accessoires du laser rotatif sans fil DW073 sont intégrés dans la base de l'outil, permettant d'installer ce dernier rapidement et aisément sur un trépied, de le placer directement sur le sol ou de le fixer au mur (pour installer une retombée de plafond ou pour procéder à des travaux de nivellement).

#### INSTALLATION SUR TRÉPIED

- Déposer le trépied sur une surface plane et de niveau et le régler à la hauteur voulue.
- Fixer solidement le laser sur la base du trépied en vissant le bouton fileté (A) du trépied dans la douille filetée de 16 x 279 mm (5/8 x 11 po) située sur la partie inférieure du niveau laser. **REMARQUE** : s'assurer que le trépied qu'on prévoit utiliser comprend une douille filetée de 16 x 279 mm (5/8 x 11 po).
- Au moyen du levier de réglage de la tête pivotante à deux positions, faire pivoter la tête laser jusqu'à la position horizontale ou verticale voulue.
- Suivre les directives concernant le réglage du laser en position horizontale ou verticale.

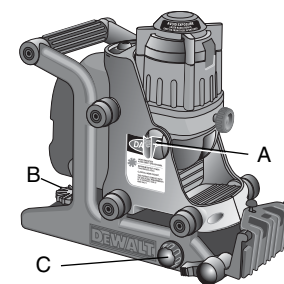


- Mettre le laser en marche et régler la vitesse de rotation et les commandes de façon appropriée.

#### INSTALLATION AU SOL

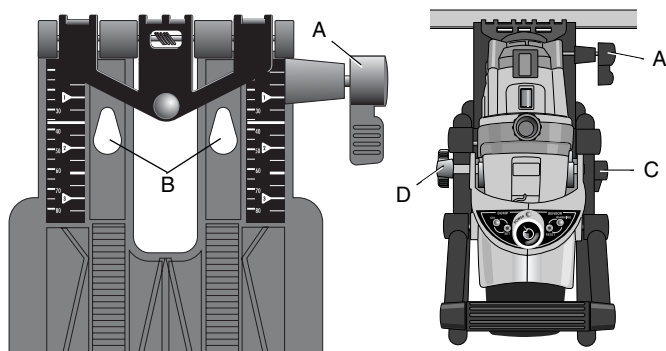
On peut déposer le niveau laser directement au sol en vue de réaliser des alignements en position horizontale ou verticale. Pour ce faire, on doit suivre les directives décrites ci-dessous :

- Déposer le laser sur une surface relativement plane et de niveau.
- Au moyen du levier de réglage de la tête pivotante à deux positions (A), faire pivoter la tête laser jusqu'à la position horizontale ou verticale voulue.
- Stabiliser et mettre l'outil de niveau, le cas échéant, au moyen du bouton de nivellement de la base (B) situé sous le bloc-piles.
- Pour obtenir un niveau vertical, on peut utiliser un repère pour positionner le laser et effectuer le réglage de précision au moyen des commandes à pignon et crémaillère de la base. **CONSEIL** : on recommande de mettre le laser en marche et de faire tourner la tête pour effectuer la marque. Le bouton de verrouillage à pignon et crémaillère (D) est un dispositif semblable à un écrou à oreilles, c'est-à-dire qu'elle permet de verrouiller et de déverrouiller la ferrure retenant la base coulissante. On peut tourner le bouton de réglage à pignon et crémaillère (C) de manière à faire glisser l'outil vers l'avant ou vers l'arrière. **CONSEIL**: on recommande de retenir fermement la base du laser lorsqu'on effectue les réglages au sol.
- Suivre les directives concernant le réglage du laser en position horizontale ou verticale.
- Mettre le laser en marche (si cela n'a pas déjà été fait) et régler la vitesse de rotation et les commandes de façon appropriée.



#### INSTALLATION AU MUR

Le laser rotatif sans fil DW073 est muni d'un support mural intégré permettant de fixer l'outil à un rail mural, pour installer un plafond



insonorisant ou pour réaliser des travaux de nivellement particuliers. Pour installer l'outil au mur, on doit suivre les directives suivantes :

**▲ MISE EN GARDE :** avant de fixer le niveau laser à un rail mural, on doit s'assurer que ce dernier soit solidement assujéti au mur.

1. Au moyen du levier de réglage de la tête pivotante à deux positions, faire pivoter la tête laser en position verticale.
2. Faire pivoter complètement l'outil de manière à orienter le bloc-piles vers le bas de l'outil, afin de pouvoir fixer le support mural au rail (voir l'illustration).
3. Placer l'échelle de mesure de la base devant soi, puis tourner le bouton de verrouillage du support mural (A) vers soi afin d'en ouvrir les mâchoires. Fixer ces dernières autour du rail puis replacer le bouton de verrouillage afin de refermer les mâchoires sur le rail. S'assurer que le bouton de verrouillage soit fermement verrouillé avant de continuer.

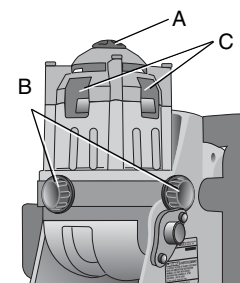
**▲ MISE EN GARDE :** lorsqu'on utilise un support mural, toujours accrocher le niveau laser au plafond au moyen du crochet prévu à cette fin ou d'un dispositif semblable afin de s'assurer qu'il soit bien retenu au mur. Passer un fil à travers les trous de la cage de retournement située au-dessus du bouton de réglage (C) ou de verrouillage (D) à pignon et crémaillère. On peut aussi utiliser des vis ou des clous

pour assujettir l'outil directement au mur. Les trous (B) prévus à cette fin sont situés sur la base, près des échelles de mesure.

4. On peut régler l'outil verticalement jusqu'à la hauteur de décalage appropriée. Pour modifier la hauteur, desserrer le bouton de réglage à pignon et crémaillère (D) situé à gauche de la tête laser. **CONSEIL :** on recommande de supporter le poids de l'outil au moment de desserrer le bouton de verrouillage à pignon et crémaillère. Tourner le bouton de réglage à pignon et crémaillère (C) situé à droite de la tête laser afin de déplacer le niveau vers le haut ou vers le bas, à la hauteur appropriée; effectuer le réglage de précision au moyen de l'échelle de mesure de la base. **CONSEIL :** on recommande de mettre l'outil en marche et de faire tourner la tête lorsqu'on règle la hauteur. Une fois le laser positionné à la hauteur voulue, serrer le bouton de verrouillage à pignon et crémaillère afin de maintenir le réglage.
5. Positionner l'outil contre le mur au moyen du bouton de nivellement (derrière la pile) situé sur la partie inférieure de la base.
6. Suivre les directives concernant le nivellement du laser. **CONSEIL:** le bouton de nivellement avant commande les mouvements de la bulle à l'intérieur de la fiole avant, alors que le bouton de nivellement latéral commande ceux de la bulle à l'intérieur de la fiole latérale.
7. Mettre le laser en marche (si cela n'a pas déjà été fait) et régler la vitesse de rotation et les commandes de façon appropriée.

### Niveau horizontal

1. Déposer le laser sur une surface relativement plane et de niveau, comme sur un trépied, ou l'installer à un rail mural au moyen du support prévu à cette fin. Consulter la section « Installation au mur » du présent manuel.
2. Au moyen du levier de réglage de la tête pivotante à deux positions, faire pivoter la tête laser jusqu'à la position

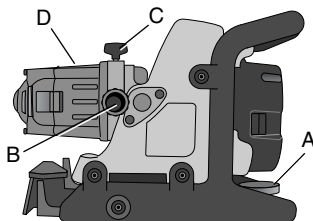


de nivellement permettant de projeter un faisceau de référence horizontal. Lorsque la tête est dans cette position, le bouton de réglage de la tête pivotante (A) doit pointer vers le haut.

3. Les boutons de nivellement (B) commandent l'orientation de la tête laser sur les plaques métalliques et influencent les mouvements de la bulle à l'intérieur des fioles (C). Lorsque l'outil est de niveau, le bouton de nivellement avant commande les mouvements de la bulle à l'intérieur de la fiole avant, alors que le bouton de nivellement latéral commande ceux de la bulle dans la fiole latérale. **REMARQUE** : les mêmes règles s'appliquent lorsque l'outil est utilisé avec le support mural.
4. Pour mettre le laser de niveau, on doit d'abord centrer les bulles dans les fioles avant et latérale. **CONSEIL** : plus les bulles sont centrées avec précision, plus le faisceau de référence horizontal sera précis.
5. Pour mettre le laser de niveau, tourner le bouton de nivellement vers la bulle, jusqu'à ce qu'elle soit centrée. **CONSEIL** : pour déplacer la bulle contenue dans la fiole avant vers la droite, tourner le bouton avant vers la gauche, et pour la déplacer vers la gauche, tourner le bouton vers la droite. Suivre la même procédure pour la fiole latérale.
6. Mettre le laser en marche (si cela n'a pas déjà été fait) et régler la vitesse de rotation et les commandes de façon appropriée.
7. Projeter un plan de référence de niveau en réglant la vitesse de rotation selon ses besoins. **Remarque** : vitesse lente = faisceau plus clair; vitesse rapide = faisceau plus continu.

### Niveau vertical

1. Déposer le laser sur une surface relativement plane et de niveau; l'outil devrait reposer sur la grande base située sous le bloc-piles. Utiliser le bouton de nivellement de la base (A), le cas échéant.

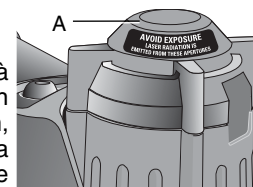


2. Au moyen du levier de réglage de la tête pivotante à deux positions, faire pivoter la tête laser jusqu'à la position verticale permettant de projeter un faisceau de référence vertical. Réglée ainsi, cette dernière devrait être située directement au-dessus du support mural, et le panneau de commande devrait être orienté vers le haut.
3. Pour mettre le laser de niveau, on doit centrer la bulle dans la fiole de niveau vertical (D). **CONSEIL** : plus la bulle est centrée avec précision, plus le faisceau de référence sera précis.
4. En regardant par-dessus le laser, tourner le bouton de nivellement vertical (B) (situé sur le côté de la tête laser pivotante lorsqu'il est ainsi orienté) afin de déplacer la bulle à l'intérieur de la fiole de niveau vertical (D) jusqu'à ce qu'elle soit bien centrée. **CONSEIL**: tourner le bouton dans le sens opposé du déplacement requis.
5. Au moyen du bouton d'alignement vertical du faisceau (C) situé près de la fiole de niveau vertical, régler le plan de référence vertical sur la marque.
6. Mettre le laser en marche (si cela n'a pas déjà été fait) et régler la vitesse de rotation et les commandes de façon appropriée.
7. Projeter un plan de référence vertical en réglant la vitesse de rotation selon ses besoins. **Remarque** : vitesse lente = faisceau plus clair; vitesse rapide = faisceau plus continu.

### Bouton de réglage de la tête pivotante

Le laser est muni d'un capuchon servant à protéger la tête pivotante contre un endommagement éventuel sur le terrain, et permettant à l'utilisateur d'accéder à la tête afin d'orienter manuellement le faisceau pour établir ou transférer une marque. Pour ce faire, on doit suivre les directives suivantes :

L'outil étant hors tension, tourner le bouton de marche-arrêt d'un quart de tour ou moins vers la droite, en s'assurant que les diodes laser soient mises en marche mais que la tête pivotante reste immo-





bilisée. Si le laser est en position de marche et que la tête tourne, tourner le bouton de marche-arrêt vers la gauche jusqu'à ce que la tête s'immobilise.

Appuyer sur le bouton de réglage (à ressort) de la tête pivotante (A) situé sur le dessus du capuchon protecteur afin qu'il entre en contact avec la tête laser et le tourner de manière à orienter le faisceau laser dans la direction voulue.

Puisque le laser comprend deux diodes laser installées côte à côte, deux points paraîtront sur l'objet sur lequel on projette le faisceau. On peut marquer le centre de l'un ou l'autre de ces points.

NE PAS utiliser le bouton de réglage de la tête pivotante lorsque la tête tourne.

On recommande d'utiliser le mode de détection no 1 du détecteur d'impact lorsqu'on utilise ce bouton. Consulter la section concernant le mode d'emploi du détecteur d'impact pour obtenir de plus amples renseignements à ce sujet.

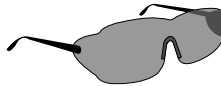
**REMARQUE:** Lorsqu'on range cet appareil à un endroit extrêmement froid, il se peut que la tête du système laser ne tourne pas dès sa mise en marche. Dans un tel cas, on peut la faire démarrer en enfonçant vers la gauche le bouton de réglage manuel.

### Verres d'accentuation à laser

L'ensemble de laser rotatif DEWALT comprend une paire de verres d'accentuation à laser rouge visant à accroître la visibilité du faisceau laser dans des conditions très éclairées ou sur de grandes distances. On peut utiliser le laser sans ces verres, mais ces derniers sont très pratiques à l'intérieur, où la lentille filtre la lumière ambiante et intensifie le point ou le trait rouge émis par le laser.

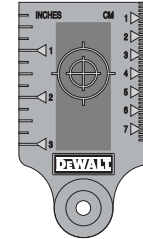
**⚠ MISE EN GARDE :** ces verres ne constituent pas des lunettes de sécurité approuvées par ANSI et ne doivent donc pas être portés lorsqu'on utilise d'autres types d'outils; ils ne protègent pas non plus les yeux contre le faisceau laser.

**⚠ DANGER :** NE JAMAIS REGARDER DIRECTEMENT LE FAISCEAU LASER, AVEC OU SANS VERRRES.



### Carte indicatrice de cibles

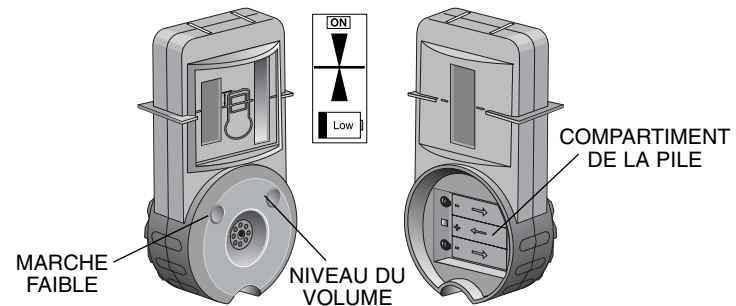
L'ensemble de laser rotatif DEWALT comprend également une carte indicatrice de cibles à laser servant à localiser et à marquer le faisceau laser, ainsi qu'à accroître la visibilité du faisceau lorsqu'il traverse la carte, laquelle est dotée d'une échelle métrique et impériale. Le faisceau traverse le plastique rouge et se reflète sur le ruban réflecteur sur l'envers de la carte. Les aimants fixés sur le dessus servent à retenir la carte lorsqu'elle est placée sur un rail de plafond ou sur un poteau en acier pour définir le niveau horizontal ou vertical.



### Détecteur laser numérique

Le détecteur laser numérique DEWALT sert à localiser un faisceau laser émis par un laser rotatif dans des conditions très éclairées ou sur de grandes distances. On peut l'utiliser tant à l'intérieur qu'à l'extérieur, où le faisceau est difficile à percevoir. On ne doit pas utiliser ce dispositif avec des laser non rotatifs.

Lorsque le faisceau laser traverse le détecteur, ce dernier émet des signaux audio et visuel indiquant son emplacement. Ce dispositif convient à la plupart des lasers rotatifs couramment vendus sur le marché





et comprend une ferrure destinée à le fixer à un tube jaugeur, à un poteau de nivellement ou mural ou à un montant. On peut aussi monter le détecteur sur un rail de plafond au moyen des aimants situés sur le dessus du détecteur.

Un manuel d'utilisation est fourni avec chaque ensemble de laser comprenant un détecteur laser numérique DEWALT; on doit lire et comprendre les directives contenues dans ce manuel avant d'utiliser le détecteur.

### Applications

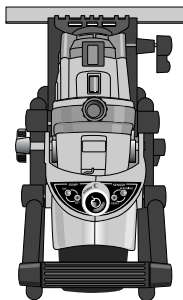
Le laser rotatif sans fil DW073 est un outil polyvalent et précis qu'on peut utiliser tant à l'intérieur qu'à l'extérieur pour réaliser des travaux de construction ou de remise à neuf. On peut régler le niveau laser et le positionner de manière à pouvoir réaliser de nombreux travaux d'alignement horizontal ou vertical. Les renseignements ci-dessous expliquent quelques-unes des applications les plus courantes qu'on peut réaliser avec cet outil, ainsi que les étapes générales à suivre pour les accomplir. Ces renseignements ne sont offerts qu'à titre indicatif et ne fournissent en conséquence pas toutes les procédures à suivre.

### Installation au plafond

1. Suivre les directives contenues dans le présent manuel concernant le support mural intégré.
2. Fixer solidement l'outil à un rail mural et régler le laser à la hauteur de décalage voulue.
3. Suivre les directives concernant le nivellement du laser.

**CONSEIL** : le bouton de nivellement avant commande les mouvements de la bulle à l'intérieur de la fiole avant, et le bouton de nivellement latéral commande ceux de la bulle dans la fiole latérale.

4. Mettre le laser en marche (si cela n'a pas déjà été fait) et régler la vitesse de rotation et les commandes de façon appropriée.



**Remarque** : vitesse lente = faisceau plus clair; vitesse rapide = faisceau continu.

5. Localiser le plan de référence du faisceau laser rotatif au moyen de la carte indicatrice de cibles à laser. Fixer la base magnétique de la carte à l'intersection des rails du plafond. **CONSEIL** : on recommande de porter les verres d'accentuation à laser pour accroître la visibilité du faisceau laser.
6. Procéder à la mise à niveau du rail pour installer le plafond.

### Préparation du mur

1. Suivre les directives contenues dans le présent manuel concernant le support au sol intégré.
2. Au moyen du bouton de réglage de la tête pivotante à deux positions, faire pivoter la tête pivotante en position verticale.
3. Placer le laser sur un point de référence préalablement établi sur le sol et régler l'outil au moyen des boutons de réglage à pignon et crémaillère.
4. Suivre les directives concernant le niveau vertical du laser.
5. Mettre le laser en marche (si cela n'a pas déjà été fait) et régler la vitesse de rotation et les commandes de façon appropriée. **REMARQUE** : vitesse lente = faisceau plus clair; vitesse rapide = faisceau plus continu.
6. Localiser le plan de référence du faisceau laser rotatif et transférer la marque au moyen de la carte indicatrice de cibles à laser. **CONSEIL** : on recommande de porter les verres d'accentuation à laser pour accroître la visibilité du faisceau laser.
7. Procéder au nivellement et à la préparation du mur en transférant avec précision les points de référence depuis le sol jusqu'au plafond.

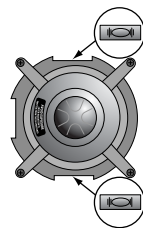
### Fondations

1. Suivre les directives contenues dans le présent manuel concernant l'installation du laser sur un trépied.
2. Au moyen du bouton de réglage de la tête pivotante à deux positions, faire pivoter la tête laser à la position voulue.
3. Suivre les directives concernant le niveau du laser.

4. Mettre le laser en marche (si cela n'a pas déjà été fait) et régler la vitesse de rotation et les commandes de façon appropriée. Remarque : si on utilise le détecteur laser numérique de DEWALT, on doit placer la commande de vitesse variable à la position la plus élevée (600 tr / min).
5. Installer le détecteur laser numérique DEWALT sur la bride de retenue et fixer celui-ci sur un tube jaugeur (ou autre dispositif semblable).
6. Placer le support à la hauteur voulue afin de pouvoir détecter le faisceau du laser rotatif et préparer le nivellement de la fondation.
7. Procéder au nivellement de la surface destinée à la fondation.

### Construction d'une terrasse

1. Suivre les directives contenues dans le présent manuel concernant l'installation du laser sur un trépied.
2. Au moyen du bouton de réglage de la tête pivotante à deux positions, faire pivoter la tête laser à la position voulue.
3. Suivre les directives concernant le niveau du laser.
4. Mettre le laser en marche (si cela n'a pas déjà été fait) et régler la vitesse de rotation et les commandes de façon appropriée. **Remarque :** si on utilise le détecteur laser numérique de DEWALT, on doit placer la commande de vitesse variable du laser à la position la plus élevée (600 tr / min).
5. Localiser le faisceau laser rotatif et établir les marques sur les montants au moyen du détecteur laser numérique DEWALT.
6. Procéder à la préparation et au nivellement des composants de la terrasse.



### Entretien

- Afin de maintenir la précision de l'outil, le faire vérifier fréquemment afin de s'assurer qu'il soit étalonné correctement.
- Les opérations d'étalonnage, d'entretien et de réparation peuvent être effectuées dans un centre de service DEWALT. Le contrat

*d'entretien gratuit d'un an offert par DEWALT comprend deux étalonnages gratuits.*

- Après chaque utilisation, ranger l'outil dans le coffret fourni à cette fin.
- Ne pas ranger l'outil dans le coffret s'il est mouillé. Si tel est le cas, le laisser sécher à l'air et essuyer les pièces externes au moyen d'un chiffon sec et doux.
- Ne pas ranger l'outil à des températures inférieures à -18 °C (0 °F) ou supérieures à 40 °C (105 °F).

▲ **NETTOYAGE :** les pièces externes en plastique peuvent être nettoyées au moyen d'un chiffon humide et d'un détergent doux. Bien que ces pièces soient hautement résistantes aux solvants, on ne doit JAMAIS utiliser de tels produits. Essuyer plutôt l'outil et les accessoires au moyen d'un chiffon sec et doux avant de le ranger. Ne jamais nettoyer le laser au moyen d'air comprimé.

### Vérification de l'étalonnage

La présente section contient des directives concernant la vérification de l'étalonnage sur place du laser rotatif DEWALT. Cette opération ne remplace aucunement les étalonnages professionnels effectués dans un centre de service DEWALT.

Ces directives servent à guider l'utilisateur qui tenterait de définir l'un des trois types de défaut de nivellement possible.

- **Défaut d'inclinaison :** s'assurer que la tête soit parfaitement de niveau lorsqu'elle tourne.
- **Défaut de cône :** s'assurer que les faisceaux laser ne soient pas placés en angle par rapport à la tête laser.
- **Défaut de verticale :** vérifier la bulle à l'intérieur de la fiole de niveau vertical.

### DÉFAUTS D'INCLINAISON

**Vérification du niveau horizontal du laser en vue d'effectuer une correction de l'avant à l'arrière.**

- Installer un trépied à mi-distance entre deux surfaces verticales, à environ 30 m (100 pi) de distance l'une de l'autre.

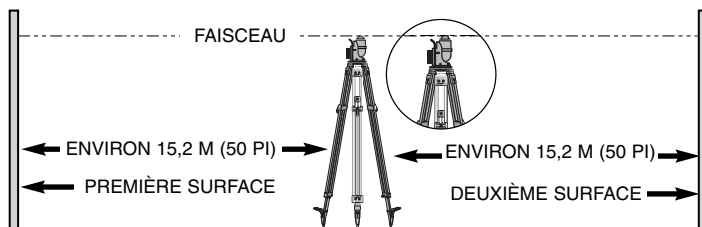


FIG. AA – OUTIL ORIENTÉ VERS LA DROITE

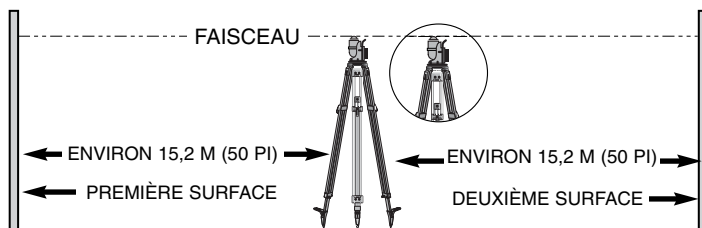


FIG. BB – OUTIL ORIENTÉ VERS LA GAUCHE

- Installer l'outil sur le trépied de manière à en orienter l'avant et l'arrière vers les deux surfaces verticales (voir la page suivante).
- Mettre l'outil de niveau conformément aux procédures décrites à la section « Niveau horizontal » du présent manuel.
- **Vérification rapide :**
  1. Comparer la position des bulles à l'intérieur des fioles avant et arrière (fig. AA).
  2. Si les bulles des deux fioles ne se trouvent pas à peu près dans la même position (c'est-à-dire, si elles ne sont pas bien centrées), faire étalonner le laser rotatif dans un centre de service DEWALT.
- Mettre l'appareil en marche afin d'actionner les lasers et les faire tourner.

- Marquer le centre du faisceau sur la première surface. Si le faisceau n'est pas très visible, utiliser les verres d'accentuation à laser, la carte indicatrice de cibles ou le détecteur laser numérique DW0732 (optionnel).
- Marquer le centre du faisceau sur la deuxième surface.
- Desserrer la vis retenant l'outil au trépied, sans retirer ce dernier.
- Faire pivoter l'outil de 180° (fig. BB).
- Mettre l'outil de niveau une deuxième fois, conformément aux procédures décrites dans la section « Niveau horizontal » du présent manuel.
- Mettre l'appareil en marche afin d'actionner les lasers et les faire tourner.
- Marquer le centre du faisceau sur la première surface.
- Marquer le centre du faisceau sur la deuxième surface.
- Mesurer l'écart entre les marques sur la première surface.
- Mesurer l'écart entre les marques sur la deuxième surface.
- L'écart entre les marques de la première surface doit être égal à celui des marques de la deuxième surface, sans quoi, le défaut se situe au niveau de l'installation ou de la marque effectuées par l'utilisateur.
- Si l'écart entre les marques de la première surface mesure 6 mm (1/4 po) ou moins, le laser est bien étalonné.
- Si l'écart entre les marques de la première surface est supérieur à 6 mm (1/4 po), le laser doit être étalonné dans un centre de service DEWALT.

**Vérification du niveau horizontal du laser en vue d'effectuer une correction d'un côté à l'autre**

- Installer un trépied à mi-distance entre deux surfaces verticales, à environ 30 m (100 pi) de distance l'une de l'autre.
- Installer l'outil sur le trépied de manière à en orienter les côtés vers les deux surfaces verticales (voir la page suivante).
- Mettre l'outil de niveau conformément aux procédures décrites à la section « Niveau horizontal » du présent manuel.

- Mettre l'appareil en marche afin d'actionner les lasers et les faire tourner.
- Marquer le centre du faisceau sur la première surface. Si le faisceau n'est pas très visible, utiliser les dispositifs énumérés précédemment.
- Marquer le centre du faisceau sur la deuxième surface.
- Desserrer la vis retenant l'outil au trépied, sans retirer ce dernier.
- Faire pivoter l'outil de 180 °.
- Mettre l'outil de niveau une deuxième fois, conformément aux procédures décrites dans la section « Niveau horizontal » du présent manuel.
- Mettre l'appareil en marche afin d'actionner les lasers et les faire tourner.
- Marquer le centre du faisceau sur la première surface et mesurer l'écart entre les marques.
- Marquer le centre du faisceau sur la deuxième surface et mesurer l'écart entre les marques.
- L'écart entre les marques de la première surface doit être égal à celui des marques de la deuxième surface, sans quoi, le défaut se situe au niveau de l'installation ou de la marque effectuées par l'utilisateur.
- Si l'écart entre les marques de la première surface mesure 6 mm (1/4 po) ou moins, le laser est bien étalonné.
- Si l'écart entre les marques de la première surface est supérieur à 6 mm (1/4 po), le laser doit être étalonné dans un centre de service DEWALT.

#### VÉRIFICATION DU DÉFAUT DE CÔNE

- Le laser rotatif DeWALT est doté de deux diodes laser. Il est peu probable que les diodes se soient déplacées de façon identique. La meilleure façon de vérifier s'il existe un défaut de cône est de comparer les deux faisceaux lasers.
- Mettre l'outil de niveau une deuxième fois, conformément aux procédures décrites dans la section « Niveau horizontal » du présent manuel.

#### • Vérification rapide :

1. Mettre l'appareil en marche afin d'actionner les lasers et les faire tourner.
  2. Un seul faisceau rouge devrait être visible sur une surface verticale; si deux faisceaux sont visibles, l'outil doit être étalonné dans un centre de service DEWALT.
- Mettre l'outil en marche de manière à ce que les lasers soient actionnés mais que la tête ne tourne PAS.
  - Au moyen du bouton de réglage de la tête pivotante, faire pivoter la tête de manière à ce que les lasers projettent deux points sur une surface verticale située à environ 7,5 m (25 pi) de distance.
  - Comparer la position verticale du centre de chaque faisceau laser. Les centres doivent être situés à 2,4 mm (3/32 po) ou moins l'un de l'autre (à la verticale).
  - Si l'écart entre les centres est supérieur à 2,4 mm (3/32 po) (à la verticale), on doit faire étalonner le laser rotatif dans un centre de service DEWALT.

#### DÉFAUT DE VERTICALE

- Installer un trépied à environ 7,5 m (25 pi) d'une surface verticale.
- Installer l'outil sur le trépied.
- Placer la tête laser en position verticale conformément aux procédures décrites dans la section « Tête pivotante à deux positions » du présent manuel.
- Pendre un fil à plomb sur la surface.
- Mettre l'outil de niveau conformément aux directives contenues dans la section « Niveau vertical » du présent manuel.
- Mettre l'appareil en marche afin d'actionner les lasers et les faire tourner.
- Faire pivoter l'outil sur le trépied de manière à ce que le faisceau soit aligné avec le fil à plomb.
- S'assurer que le laser soit toujours de niveau.
- Si le faisceau est aligné avec le fil à plomb, l'étalonnage est précis.

- Si le faisceau n'est pas aligné avec le fil à plomb, on doit faire étalonner le laser rotatif dans un centre de service DEWALT.

### **Accessoires**

Les accessoires recommandés pour cet outil sont vendus séparément aux centres de service autorisés.

**▲ MISE EN GARDE :** *l'usage d'un accessoire non recommandé peut présenter un danger.*

Pour obtenir de l'aide concernant l'achat d'un accessoire, veuillez communiquer avec DEWALT Industrial Tool Company, 701 East Joppa Road, Baltimore, MD 21286 aux États-Unis, ou composer le 1 800 433-9258. Visiter notre site Web au [www.dewalt.com](http://www.dewalt.com) pour consulter notre catalogue.

### **Réparations**

Pour assurer la SÉCURITÉ et la FIABILITÉ de cet outil, toutes les opérations de réparation, d'entretien et de réglage doivent être effectuées par un centre de service autorisé ou qualifié; seules des pièces de rechange identiques doivent être utilisées.

### **Garantie limitée de trois ans**

DEWALT réparera, sans frais, tout produit défectueux causé par un défaut de matériel ou de fabrication pour une période de trois ans à compter de la date d'achat. La présente garantie ne couvre pas les pièces dont la défectuosité a été causée par une usure normale ou l'usage abusif de l'outil. Pour obtenir de plus amples renseignements sur les pièces ou les réparations couvertes par la présente garantie, visiter le site [www.dewalt.com](http://www.dewalt.com) ou composer le 1 800 433-9258 (1 800 4-DEWALT). Cette garantie ne s'applique pas aux accessoires et ne vise pas les dommages causés par des réparations effectuées par un tiers. Cette garantie confère des droits légaux particuliers à l'acheteur, mais celui-ci pourrait aussi bénéficier d'autres droits variant d'un état ou d'une province à l'autre.

En plus de la présente garantie, les outils DEWALT sont couverts par notre :

#### **CONTRAT D'ENTRETIEN GRATUIT D'UN AN**

DEWALT entretiendra l'outil et remplacera les pièces usées au cours d'une utilisation normale et ce, gratuitement, pendant une période d'un an à compter de la date d'achat.

#### **CONTRAT D'ENTRETIEN GRATUIT DE DEUX ANS SUR LES BLOC-PILES XRP<sup>MC</sup>**

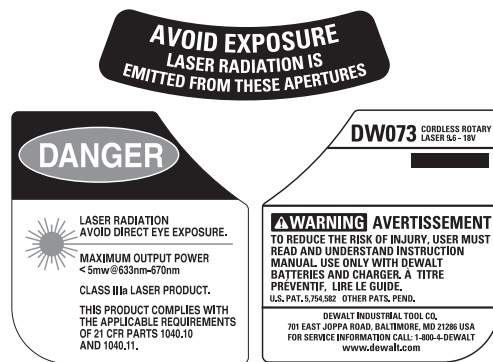
DC9096, DC9091 et DC9071, et la

#### **GARANTIE DE REMBOURSEMENT DE 90 JOURS**

Si l'acheteur n'est pas entièrement satisfait, pour quelque raison que ce soit, du rendement de l'outil électrique, du laser ou de la cloueuse DEWALT, celui-ci peut le retourner, accompagné d'un reçu, dans les 90 jours à compter de la date d'achat pour obtenir un remboursement intégral, sans aucun problème.

**AMÉRIQUE LATINE :** Cette garantie ne s'applique aux produits vendus en Amérique latine. Pour ceux-ci, veuillez consulter les informations relatives à la garantie spécifique présente dans l'emballage, appeler l'entreprise locale ou consulter le site Web pour les informations relatives à cette garantie.

**REMPACEMENT GRATUIT DE L'ÉTIQUETTE :** Si vos étiquettes d'avertissement deviennent illisibles ou sont manquantes, composez le 1-800-4-DEWALT pour obtenir une étiquette de remplacement gratuite.



## Guide de dépannage

Le but du présent guide est d'aider l'utilisateur à déterminer la raison pour laquelle le laser ne fonctionne pas comme il se doit. Il contient quelques-unes des questions les plus fréquemment posées ainsi que des conseils pratiques. Si certaines questions concernant le laser DEWALT demeurent toujours sans réponse une fois la lecture du guide et du manuel d'utilisation terminée, on peut composer la ligne d'assistance sans frais au 1 800 433-9258 ou visiter l'un des centres de service DEWALT.

### LA PILE N'EST PAS BIEN ENCLENCHÉE.

Consulter la section concernant le bloc-piles du présent manuel.

### LE LASER REFUSE DE SE METTRE EN MARCHÉ.

S'assurer que la pile soit complètement chargée et qu'elle soit bien insérée dans l'outil.

**CONSEIL** : consulter la section concernant le bloc-piles du présent manuel. Tourner le bouton marche-arrêt / vitesse variable vers la droite pour mettre l'appareil sous tension. **CONSEIL** : consulter la

section « Panneau de commande » du présent manuel. Si le problème persiste, emporter l'outil à un centre de service DEWALT.

### UNE FOIS LE LASER EN MARCHÉ, LA TÊTE PIVOTANTE PROJETTE DEUX POINTS LASER.

Le laser rotatif sans fil DW073 est muni de deux diodes laser installées côte à côte, lesquelles permettent d'éviter les points morts susceptibles d'être causés par le capuchon protecteur situé sur la tête pivotante, tout en permettant à la tête rotative de produire un faisceau plus clair.

### LA TÊTE PIVOTANTE PROJETTE DEUX TRAITS LASER.

L'outil doit être emporté à un centre de service DEWALT aux fins d'un étalonnage.

### LE TÉMOIN À DEL CLIGNOTE, LA TÊTE PIVOTANTE S'EST IMMOBILISÉE ET LES DIODES LASER SE SONT ARRÊTÉES.

Le bloc-piles doit être rechargé. **CONSEIL** : consulter la section concernant le bloc-piles et la méthode de chargement dans le présent manuel.

### LE TÉMOIN D'AVERTISSEMENT À DEL DU DÉTECTEUR D'IMPACT CLIGNOTE.

Consulter la section « Détecteur d'impact » du présent manuel pour obtenir plus de renseignements sur le mode d'emploi de ce dispositif.

### LE DÉTECTEUR D'IMPACT NE MET PAS L'OUTIL HORS TENSION LORSQUE CELUI-CI N'EST PLUS DE NIVEAU.

Le détecteur d'impact n'EST PAS UN INDICATEUR DE DÉFAUT DE NIVEAU. Consulter la section « Détecteur d'impact » du présent manuel.

### LE FAISCEAU N'EST PRESQUE PAS VISIBLE À L'INTÉRIEUR

La lumière ambiante influence la visibilité du faisceau laser. Afin de mieux voir ce dernier, régler la vitesse de rotation au moyen de l'interrupteur de marche-arrêt / vitesse variable. **Remarque** : vitesse lente = faisceau plus clair; vitesse rapide = faisceau plus continu. On recommande également de porter des verres d'accentuation à laser afin de mieux voir le faisceau.

***OBTENTION DU NIVEAU VERTICAL.***

Consulter la section « Tête pivotante à deux positions » du présent manuel.

***RÉGLAGE DE L'OUTIL POUR UNE INSTALLATION AU MUR.***

Consulter la section « Installation au mur » du présent manuel.

***L'OUTIL BASCULE LORSQU'ON LE PLACE AU SOL.***

Le laser est conçu pour reposer sur trois points de contact afin de le rendre plus stable. Deux de ces points de contact sont fixes, alors que le troisième est réglable. Afin de positionner l'outil au sol, régler le bouton de nivellement et la base située sous le bloc-piles.

***LA TÊTE PIVOTANTE DOIT ÊTRE IMMOBILISÉE AFIN D'ORIENTER LE POINT OBTENU PAR LE LASER SUR LA MARQUE OU D'EFFECTUER UNE MARQUE.***

Se reporter à la section « Bouton de réglage de la tête pivotante ».

***LES BULLES NE SE DÉPLACENT PAS LORS DE LA MISE À NIVEAU DE L'OUTIL.***

L'outil doit être déposé sur une surface relativement plane et de niveau afin de pouvoir procéder au nivellement; il est impossible d'effectuer cette opération si l'outil est installé sur une surface hors de sa plage de nivellement. **CONSEIL** : mettre l'outil de niveau au moyen du bouton de réglage avant de procéder au nivellement du laser au moyen des boutons de nivellement. **CONSEIL** : s'assurer que la tête pivotante à deux positions soit verrouillée en position horizontale ou verticale avant d'effectuer le nivellement de l'outil. Consulter la section « Tête pivotante à deux positions » du présent manuel.

***SEUL LE RÉGLAGE DE LA BULLE DANS LA FIOLE DE NIVEAU VERTICAL S'EFFECTUE LORSQU'ON TENTE DE PROJETER UN TRAIT VERTICAL.***

Consulter la section « Niveau vertical » du présent manuel afin d'obtenir les directives appropriées.

***INFORMATION CONCERNANT LE RANGEMENT AU FROID***


Lorsqu'on range cet appareil à un endroit extrêmement froid, il se peut que la tête du système laser ne tourne pas dès sa mise en marche. Dans un tel cas, on peut la faire démarrer en enfonçant vers la gauche le bouton de réglage manuel.



## Introducción

El láser rotatorio inalámbrico DW073 es una herramienta láser nivelada manualmente que puede usarse tanto en interiores como exteriores para proyectos de alineamiento horizontal (nivel) o vertical (plomada). Esta herramienta viene completamente ensamblada. Las aplicaciones van desde instalación de cielorraso acústico a disposición de paredes, y hasta nivelación de fundaciones y construcción de patios entablados. La herramienta está diseñada con varias características innovadoras lo cual permite un montaje y ajuste rápido y fácil, incrementando así la productividad de su trabajo. Favor leer y comprender todas las instrucciones de este manual antes de usar la herramienta.

## Reglas Generales de seguridad para todas las herramientas que funcionan con baterías.

 **¡ADVERTENCIA!** Lea y asegúrese que ha comprendido todas las instrucciones. El no hacerlo puede originar riesgos de electrochoque, incendio, y lesiones personales de gravedad.

## GUARDE ESTAS INSTRUCCIONES

### ÁREA DE TRABAJO

- **Conserve su área de trabajo limpio y bien iluminado.** Los bancos amontonados y las zonas oscuras propician los accidentes.
- **No utilice herramientas eléctricas en atmósferas explosivas, tales como en presencia de líquidos, gases o polvos inflamables.** Las herramientas eléctricas producen chispas que pueden originar la ignición de los polvos o los vapores.
- **No permita a ningún observador, niño o visitante acercarse mientras opera una herramienta eléctrica.** Las distracciones pueden hacerle perder el control.

### SEGURIDAD ELÉCTRICA

- **Una herramienta que funciona con baterías integradas o por separado debe recargarse solamente con el cargador especi-**

**ficado para esa batería.** Un cargador adecuado para un tipo de batería puede originar riesgos de incendio cuando se utiliza con otro tipo de batería.

- **Utilice su herramienta de baterías sólo con las baterías designadas específicamente para la misma.** El uso de otro tipo de baterías puede originar riesgos de incendio.

### SEGURIDAD PERSONAL

- **Esté siempre alerta, concéntrese en lo que está haciendo y recurra al sentido común cuando utilice una herramienta eléctrica.** No utilice ninguna herramienta si se encuentra fatigado o bajo la influencia de drogas, alcohol o medicamentos. Un descuido de su parte mientras utiliza una herramienta eléctrica puede ocasionarle graves lesiones.
- **Vístase adecuadamente. No utilice ropa floja ni joyas. Sujete el cabello si lo tiene largo.** Mantenga el cabello, ropas y guantes alejados de las piezas móviles. Las piezas de vestir flojas, las joyas y el cabello largo pueden quedar atrapadas por las piezas móviles. Las rejillas de ventilación cubren partes móviles y también deben evitarse.
- **Evite el encendido accidental.** Asegúrese de que el interruptor esté apagado o asegurado antes de conectar el aparato. Sostener una herramienta con su dedo colocado en el interruptor o conectarla sin fijarse si el interruptor está encendido, puede provocar accidentes.
- **No se incline demasiado. Conserve siempre los pies bien apoyados, al igual que su equilibrio.** La posición correcta de los pies y el equilibrio permiten controlar mejor la herramienta en situaciones inesperadas.
- **Utilice equipo de seguridad.** Proteja siempre sus ojos. Las mascarillas contra el polvo, los zapatos de seguridad antideslizantes, el casco o los protectores auditivos se utilizan con el fin de trabajar en condiciones apropiadas.

### USO Y CUIDADOS DE LA HERRAMIENTA

- **Utilice prensas u otros medios prácticos para asegurar y apoyar la pieza de trabajo a una plataforma estable.** Sujetar las

piezas con la mano o contra su cuerpo es inestable y puede originar la pérdida de control.

- **No utilice la herramienta si el interruptor no enciende y apaga.** Cualquier herramienta que no pueda controlarse por medio del interruptor es peligrosa y debe ser reparada.
- **Desconecte la batería de la herramienta o coloque el interruptor en la posición de seguro o apagado antes de realizar cualquier ajuste, cambiar accesorios o guardar la herramienta.** Esta medida preventiva reduce el riesgo de encendido accidental de la herramienta.
- **Guarde las herramientas que no utiliza fuera del alcance de los niños y de cualquier otra persona no entrenada.** Las herramientas son peligrosas en manos de personas sin entrenamiento.
- **Cuando no utilice la batería, consérvela alejada de otros objetos metálicos tales como clips, monedas, llaves, clavos, tornillos y otros pequeños objetos metálicos que puedan hacer conexión entre una terminal y la otra.** Hacer corto entre las terminales de la batería puede originar chispas, quemaduras o incendios.
- **Verifique la correcta alineación de las piezas móviles, presencia de roturas en las piezas y cualquier otra anomalía que pueda afectar el funcionamiento adecuado de las herramientas.** Si su herramienta se encuentra dañada, llévela al servicio de mantenimiento antes de utilizarla. La falta de un mantenimiento adecuado puede ser la causa de muchos accidentes.
- **Utilice solamente aquellos accesorios recomendados por el fabricante para el modelo de la herramienta que usted posee.** Los accesorios adecuados para una herramienta pueden resultar peligrosos cuando se usan en otra.

#### **SERVICIO**

- **El servicio a la herramienta debe ser hecho por personal de reparación calificado únicamente.** El servicio o mantenimiento

realizado por personal no calificado puede provocar riesgos de lesiones.

#### **Reglas adicionales de seguridad**

**⚠ ¡ADVERTENCIA! NO DESMONTE EL NIVEL LÁSER.** No contiene ninguna parte interna que necesite servicio. Desmontaje del nivel invalidará todas las garantías del producto. No modifique el producto en modo alguno.

Estos aparatos cumplen con las normas de seguridad de la sección quince de la comisión federal de comunicaciones FCC y el uso de los mismos estará sujeto a las siguientes condiciones: (1) estos aparatos no deberán ocasionar ningún tipo de interferencia dañina, (2) estos aparatos deberán aceptar cualquier interferencia recibida aunque ésta ocasione un funcionamiento indeseable.

**NOTA:** Este equipo ha sido sometido a prueba y cumple con los requisitos de los aparatos digitales clase B, conforme a las normas de la sección quince de la comisión federal de comunicaciones FCC. Estos requisitos han sido trazados a fin de brindar protección contra cualquier interferencia dañina en las instalaciones residenciales. Este equipo genera, utiliza y puede emitir frecuencia radioeléctrica. Si el equipo no se instala ni se utiliza según las instrucciones, podría ocasionar interferencia dañina a las radiocomunicaciones. No existe ninguna garantía que no habrá interferencia en determinada instalación. Si este equipo llegase a ocasionar interferencia en la recepción de la radio o la televisión (esto se puede verificar encendiendo y apagando los aparatos), se recomienda considerar los siguientes pasos:

- Oriente o reubique la antena receptora.
- Aumente la distancia entre el equipo y el receptor.
- Asegúrese que el equipo y el receptor no estén conectados a la misma toma de corriente ni al mismo circuito.
- Para mayor asistencia, por favor consulte con el distribuidor del producto o con un técnico de radios y televisores.

Los aparatos digitales clase B cumplen con las normas canadienses ICES-003.

▲ **PRECAUCIÓN:** Algunas herramientas con los paquetes grandes de la batería estarán paradas verticales en el paquete de la batería pero se pueden golpear fácilmente encima. Cuando no en uso, coloque la herramienta en su cara en una superficie estable donde no causará un peligro que dispara o descendente.

- La etiqueta de su herramienta puede incluir los siguientes símbolos.
 

V.....volts	A .....amperes
Hz.....hertz	W .....watts
.../min ..minutos	~ .....corriente alterna
==== ....corriente directa	n <sub>o</sub> .....velocidad sin carga
□ .....construcción Clase II	/min .....revoluciones por minuto
⊕ .....terminales de conexión a tierra	▲ .....símbolo de alerta de seguridad

### Instrucciones de seguridad importantes para las unidades de alimentación

Su herramienta usa una unidad de alimentación de DEWALT de 9.6, 12, 14.4 o 18 Voltios. Cuando solicite unidades de alimentación de repuesto, no olvide indicar el número de catálogo y el voltaje. Las unidades de alimentación con tiempo de operación extendido duran más que las unidades de alimentación tradicionales. Consulte el cuadro al final de este manual para ver la compatibilidad entre cargadores y unidades de alimentación.

**NOTA:** Su herramienta puede utilizar unidades de alimentación tradicionales o de tiempo de operación extendido. Sin embargo, asegúrese de seleccionar el voltaje apropiado. Las baterías pierden su carga lentamente cuando no se encuentran en el cargador. El mejor lugar para almacenar la batería es en el cargador, en todo momento.

La unidad de alimentación no viene completamente cargada de fábrica. Antes de usar la unidad de alimentación y el cargador, lea las siguientes instrucciones de seguridad. A continuación, siga los procedimientos de carga indicados.

### LEA TODAS LAS INSTRUCCIONES

- **No incinere la unidad de alimentación, aunque esté completamente dañada o gastada.** Las unidades de alimentación pueden explotar si se queman.
- **Las celdas de la unidad de alimentación pueden tener fugas pequeñas de líquido bajo condiciones extremas de uso o temperatura.** Esto no indica una falla. Sin embargo, si el sello externo ha sido roto y su piel entra en contacto con el líquido:
  - a. Lave rápidamente con jabón y agua.
  - b. Neutralice con un ácido suave como jugo de limón o vinagre.
  - c. Si el líquido de la batería le entra a los ojos, lávelos con agua limpia por al menos 10 minutos y hágase ver por un médico de inmediato. (**NOTA MÉDICA:** El líquido es una solución de 25–35% de hidróxido de potasio).
- Cargue las unidades de alimentación sólo en cargadores DEWALT.
- **NO** salpique con ni sumerja en agua u otros líquidos.
- **No guarde ni use la herramienta y unidad de alimentación en lugares donde la temperatura podría alcanzar o superar los 40°C (105°F), tales como cobertizos o construcciones de metal en verano.**

▲ **PELIGRO:** Peligro de electrocución. Nunca intente abrir la unidad de alimentación por ningún motivo. Si la caja plástica de la unidad de alimentación se triza o daña, no introduzca la batería en el cargador. Podría producir choque eléctrico o electrocución. Lleve las unidades de alimentación dañadas a un centro de servicio para su reciclaje.

**NOTA:** los capuchones para transporte y almacenaje de las baterías se proporcionan para usarse siempre que la batería esté fuera de la herramienta o del cargador. Retire el capuchón antes de colocar la batería en la herramienta o en el cargador.



▲ **ADVERTENCIA:** No guarde ni lleve baterías, unidades de alimentación o pilas en un lugar donde sus terminales pudieran entrar en contacto con algún objeto metálico. Por ejemplo, no ponga baterías, unidades de alimentación o pilas dentro de un delan-

tal o bolsillo, una caja de herramientas o de almacenamiento del producto, un cajón, etc., junto con clavos sueltos, tornillos, llaves, etc. si no están debidamente protegidas. **El transporte de baterías, unidades de alimentación o pilas puede causar un incendio si sus terminales entran en contacto sin querer con materiales conductores como llaves, monedas, herramientas de mano y otros por el estilo.** De hecho, el reglamento sobre materiales peligrosos (HMR) del Ministerio de Transporte de los Estados Unidos prohíbe el transporte de baterías, unidades de alimentación o pilas en cualquier tipo de transporte terrestre o aéreo (es decir, embaladas en maletas y maletines de mano) A NO SER que estén debidamente protegidas de hacer cortocircuito. Por lo tanto, cuando transporte baterías, unidades de alimentación o pilas individuales, asegúrese que sus terminales estén protegidos y debidamente aislados de materiales que pudieran entrar en contacto con ellos y causar un cortocircuito.

### **El sello RBRC™**

El sello RBRC™ (Rechargeable Battery Recycling Corporation) en las baterías de níquelcadmio, indica que el costo del reciclaje de la batería (o grupo de baterías), al final de su vida útil, ya ha sido pagado por DEWALT. En algunas áreas es ilegal colocar las baterías de níquelcadmio desgastadas en la basura doméstica o en los basureros municipales y el programa RBRC™ proporciona una alternativa ambiental conveniente.

La RBCR, en cooperación con DEWALT y otros usuarios de baterías, han establecido programas en los Estados Unidos para facilitar la recolección de baterías de níquelcadmio desgastadas. Al llevar sus baterías desgastadas de níquelcadmio a un centro de servicio autorizado DEWALT o a su minorista local para el reciclaje de su batería, usted ayuda a proteger nuestro medio ambiente y a conservar nuestros recursos naturales. Usted puede comunicarse con el centro de reciclaje de su localidad para que le informen acerca de los lugares donde usted puede regresar las baterías desgastadas.

RBRC<sup>MC</sup> es una marca registrada de *Rechargeable Battery Recycling Corporation*.



## **Instrucciones importantes de seguridad para cargadores de batería**

**CONSERVE ESTAS INSTRUCCIONES:** Este manual contiene instrucciones de seguridad para los cargadores de batería.

- Antes de usar el cargador, lea todas las instrucciones y advertencias que se encuentren en el cargador, la unidad de alimentación y el producto que usa la unidad de alimentación.

**⚠ PELIGRO:** Peligro de electrocución. Hay 120 voltios en los terminales de carga. No tocar con objetos conductores. Podría producir choque eléctrico o electrocución.

**⚠ ADVERTENCIA:** Peligro de descarga eléctrica. No permita que ningún líquido se introduzca en el cargador. Podría producir choque eléctrico.

**⚠ PRECAUCIÓN:** Peligro de quemadura. Para reducir el riesgo de lesión, sólo cargue baterías recargables de níquel cadmio DEWALT. Otros tipos de baterías podrían reventarse y causar lesiones corporales y otros daños.

**⚠ PRECAUCIÓN:** Bajo ciertas condiciones, cuando el cargador está enchufado, los contactos de carga expuestos dentro del cargador pueden hacer cortocircuito si entran en contacto con algún material ajeno. Los materiales ajenos de naturaleza conductora, como la lana de acero, el papel de aluminio o cualquier acumulación de partículas metálicas, deben conservarse alejados de las cavidades del cargador. Desenchufe siempre el cargador cuando no haya una unidad de alimentación en su cavidad. Desenchufe el cargador antes de intentar limpiarlo.

- **NO intente cargar la unidad de alimentación con otros cargadores que no sean los descritos en este manual.** El cargador y la unidad de alimentación fueron específicamente diseñados para trabajar en conjunto.
- **Estos cargadores no fueron diseñados para ser utilizados para más que cargar las baterías recargables DEWALT.** Cualquier otro uso puede ocasionar incendios, choque eléctrico o electrocución.

**Español**

- **No exponga el cargador a lluvia o nieve.**
- **Jale del enchufe y no del cable cuando desconecte el cargador.** De esta forma se reduce el riesgo de daño al enchufe y cable.
- **Asegúrese que el cable no sea ubicado de manera que podría ser pisado, causar que alguien tropiece con él o ser expuesto a otro tipo de daños.**
- **No se debería usar un alargador a no ser que sea absolutamente necesario.** El uso de un alargador incorrecto podría resultar en riesgo de incendio, descarga eléctrica o electrocución.
- **Los hilos del alargador deben ser de un calibre apropiado (AWG o American Wire Gauge) para su seguridad.** Mientras menor sea el calibre del hilo, mayor la capacidad del cable. Es decir, un hilo calibre 16 tiene mayor capacidad que uno de 18. Cuando se utilice más de un alargador para completar el largo total, asegúrese que los hilos de cada alargador tengan el calibre mínimo.

#### Calibres mínimos recomendados para alargadores

##### Longitud total del cable

25 pies	50 pies	75 pies	100 pies	125 pies	150 pies	175 pies
7,6 m	15,2 m	22,9 m	30,5 m	38,1 m	45,7 m	53,3 m

##### Calibre AWG

18	18	16	16	14	14	12
----	----	----	----	----	----	----

- **No coloque ningún objeto sobre el cargador ni coloque éste sobre una superficie blanda que pueda bloquear las ranuras de ventilación y resultar en un calor interno excesivo.** Coloque el cargador en un lugar alejado de cualquier fuente de calor. El cargador se ventila a través de las ranuras que se encuentran en la parte superior e inferior de la caja protectora.
- **No opere el cargador con un cable o enchufe dañado** - cámbielos de inmediato.
- **No utilice el cargador si ha recibido algún golpe agudo, si se ha caído o si presenta cualquier otro daño.** Llévelo a un centro de servicio autorizado.

- **No desarme el cargador; llévelo a un centro de servicio autorizado cuando deba ser reparado.** Si es reensamblado incorrectamente, puede causar choque eléctrico, electrocución o incendios.
- **Desenchufe el cargador antes de intentar limpiarlo.** Esto reducirá el riesgo de choque eléctrico. Retirar la batería no reducirá este riesgo.
- **NUNCA** intente conectar 2 cargadores entre sí.
- **El cargador fue diseñado para operar con corriente doméstica estándar (120 voltios).** No intente usarlo con ningún otro voltaje. Esto no aplica al cargador vehicular.

## Cargadores

Su herramienta usa un cargador DEWALT de 7,2, 9,6, 12,0, 14,4, ó 18,0 voltios. Su batería puede ser cargada en cargadores DEWALT de 1 hora, de 15 minutos o vehiculares de 12 voltios. Asegúrese de leer todas las normas de seguridad antes de usar el cargador. Consulte el cuadro al final de este manual para ver la compatibilidad entre cargadores y unidades de alimentación.

## Procedimiento de carga

**⚠ PELIGRO:** Peligro de electrocución. Hay 120 voltios en los terminales de carga. No tocar con objetos conductores. Peligro de choque eléctrico o electrocución.

1. Enchufe el cargador a una toma de corriente apropiada antes de insertar la unidad de alimentación.
2. Inserte la unidad de alimentación en el cargador comprobando que la unidad quede bien puesta en el cargador. La luz roja (de carga) parpadeará continuamente para indicar que se ha iniciado el proceso de carga.
3. La luz roja se quedará continuamente ENCENDIDA cuando se haya completado el proceso de carga. La unidad estará entonces completamente cargada y podrá ser utilizada en ese momento o dejarse en el cargador.





**NOTA:** La unidad de alimentación perderá su carga lentamente si se retira del cargador. Si no se ha dejado la unidad de alimentación en carga de mantenimiento, puede que sea necesario recargarla antes de usarla nuevamente. La unidad de alimentación también puede perder lentamente su carga si se deja en un cargador que no está enchufado en una toma de corriente alterna adecuada.

**UNIDADES DE ALIMENTACION DÉBILES:** Los cargadores también pueden detectar una batería débil. Estas baterías aún son utilizables, pero no se puede esperar de ellas el mismo rendimiento. En tales casos, aproximadamente 10 segundos después de introducir la batería, el cargador emitirá 8 'bip' rápidos para indicar el estado débil de la batería. A continuación el cargador procederá a cargar la batería hasta su máxima capacidad posible.

### **Notas importantes sobre la carga**

1. Se puede obtener una mayor duración y un mejor rendimiento si la unidad de alimentación se carga a una temperatura ambiental de 18 - 24°C (65 - 75°F). NO cargue la unidad de alimentación a una temperatura ambiental inferior a +4,5°C (+40°F) o superior a +40,5°C (+105°F). Esto es muy importante y se evitarán graves daños en la unidad de alimentación.
2. Puede que el cargador y la unidad de alimentación se calienten ligeramente durante el proceso de carga. Esto es normal y no representa ningún problema. Para facilitar el enfriamiento de la unidad de alimentación después del uso, evite colocar el cargador o la unidad de alimentación en un lugar cálido, como un cobertizo metálico o un remolque sin aislamiento térmico.
3. Si la unidad de alimentación no se carga correctamente:
  - a. -Pruebe la corriente del receptáculo, enchufando una lámpara u otro dispositivo.
  - b. Compruebe que el receptáculo no esté conectado a un interruptor de luz que corte la corriente al apagar la luz.
  - c. Mueva el cargador y la unidad de alimentación a un lugar donde la temperatura ambiental sea aproximadamente 18 - 24°C (65 - 75°F).

- d. Si el problema de carga continúa, lleve la herramienta, unidad de alimentación y el cargador a su centro de servicio local.
4. Se deberá recargar la unidad de alimentación cuando deje de producir suficiente energía para tareas que se ejecutaban con facilidad anteriormente. NO CONTINÚE usándola bajo estas circunstancias. Siga el procedimiento de carga. También puede cargar una unidad de alimentación que haya sido usada parcialmente cuando lo desee, sin dañarla.
5. Bajo ciertas condiciones, cuando el cargador está enchufado, los contactos de carga expuestos dentro del cargador pueden hacer cortocircuito si entran en contacto con algún material ajeno. Los materiales ajenos de naturaleza conductora, como la lana de acero, el papel de aluminio o cualquier acumulación de partículas metálicas, deben conservarse alejados de las cavidades del cargador. Desenchufe siempre el cargador cuando no haya una unidad de alimentación en su cavidad. Desenchufe el cargador antes de intentar limpiarlo.
6. No congele ni sumerja el cargador en agua o cualquier otro líquido.

**⚠ ADVERTENCIA:** Peligro de descarga eléctrica. No permita que ningún líquido se introduzca en el cargador. Podría producir choque eléctrico.

**⚠ PRECAUCIÓN:** Nunca intente abrir la unidad de alimentación por ningún motivo. Si la caja plástica de la unidad de alimentación se triza o rompe, llévela a un centro de servicio para su reciclaje.

### **INSTRUCCIONES PARA LA LIMPIEZA DEL CARGADOR:**

**⚠ ADVERTENCIA:** Peligro de descarga eléctrica. Desconecte el cargador del tomacorriente de corriente alterna antes de limpiar. Se puede quitar el sucio y la grasa de la superficie exterior del cargador con un trapo o un cepillo suave no metálico. No usar agua o soluciones de limpieza.

### **Seguridad acerca de dispositivos Láser**

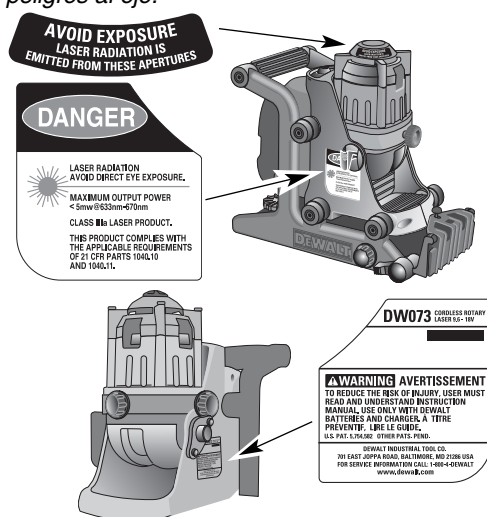
El láser rotatorio inalámbrico DW073 está catalogado como un PRODUCTO LÁSER CLASE IIIa y cumple con los requisitos aplicables según el título 21 del Código del Reglamento Federal



(CFR) dispuesto por: el Departamento de Salud, Educación y Bienestar, la Administración de Alimentos y Medicamentos; el Centro de Dispositivos y Salud Radiológica.

**▲ PELIGRO: ESTE PRODUCTO EMITE RADIACIÓN LASÉRICA – NO MIRE DENTRO DEL HAZ DE RAYOS LASER**

**▲ PRECAUCIÓN:** El uso de instrumentos ópticos con este producto aumentará peligros al ojo.



- Fije el láser en una posición por encima o debajo del nivel de sus ojos
- **NO** desmonte la herramienta láser. No contiene ninguna parte interna que necesite servicio.
- Cuando usa el láser en forma aérea, use siempre un gancho de suspensión de alambre para techo o material equivalente además del sujetador para montaje en pared a fin de ayudar a afianzar el nivel láser mientras lo monta a la pared. Véase la sección “Montaje en pared” para instrucciones.

- El uso de controles o ajustes o procedimientos distintos a los aquí especificados pueden resultar en exposición peligrosa a la radiación.
- **NO** modifique el láser en modo alguno. Modificar la herramienta puede resultar en exposición peligrosa a la radiación,
- Las reparaciones y servicios deben efectuarse en un centro de reparación calificado.
- **NO** deje que los niños operen la herramienta láser.
- **NO** use el láser cerca de los niños.
- **NO** quite las etiquetas de advertencia de la herramienta.
- Las condiciones de operación podrían requerir que usted fije un cartel de “PELIGRO” Láser. Este producto viene con este tipo de cartel.

### Sugerencias para operar la herramienta

- Asegúrese de que la batería está adecuadamente cargada. Si la luz de diodo “LED” de activación parpadea, la batería necesita cargarse.
- Para extender la vida de la batería por cada carga, apague el láser cuando no está trabajando o haciendo marcas con el haz.
- A fin de asegurar la precisión de su trabajo, debe verificar la calibración del láser a menudo. Véase la sección de “Calibración de campo”.
- Antes de intentar nivelar el láser, asegúrese de que la herramienta está posicionada en una superficie relativamente lisa.
- Cuanto más centradas estén las burbujas en los viales, con más precisión funcionará el láser.
- El láser DEWALT está equipado con 2 diodos láser, uno al lado del otro que producen un haz altamente luminoso y visible cuando se rota la cabeza láser.
- Marque siempre el centro de la línea o el punto láser.
- Para aumentar la precisión y distancia funcional, monte el láser en el medio de su área de trabajo.
- Al montar el láser en un trípode o pared, fíjelo en forma segura.

- Si trabaja dentro de un recinto, la velocidad lenta de la cabeza rotatoria producirá una línea que se verá más luminosa, y a una velocidad más rápida la línea se verá más sólida.
- Para aumentar la visibilidad del haz, use las gafas intensificadoras para láser suministradas y/o use la tarjeta de mira láser para ayudar a encontrar el haz.
- Para transferir una marca de punto láser, use el botón de rotación manual en la parte superior de la cabeza láser para un control rápido y fácil. Vea las instrucciones en la sección "Botón de rotación manual de la cabeza".
- Los cambios extremos en la temperatura podrían ocasionar movimiento en las partes internas afectando de esta forma la precisión. Cuando trabaja, verifique la precisión a menudo.

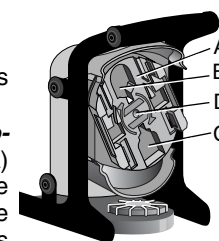
- Al trabajar con el detector de láser digital DEWALT, ajuste el control de velocidad variable a la regulación más alta (600 RPM)
- Utilice el dispositivo de Sensor de golpes del láser que sirve para advertirle si algo se tropezó con la herramienta después de haberla montado.
- Si el láser se ha caído o inclinado mientras está montado en un trípode, verifique el sistema de calibración por un centro de servicio calificado antes de seguir usándolo

### Instalación y remoción del grupo de baterías

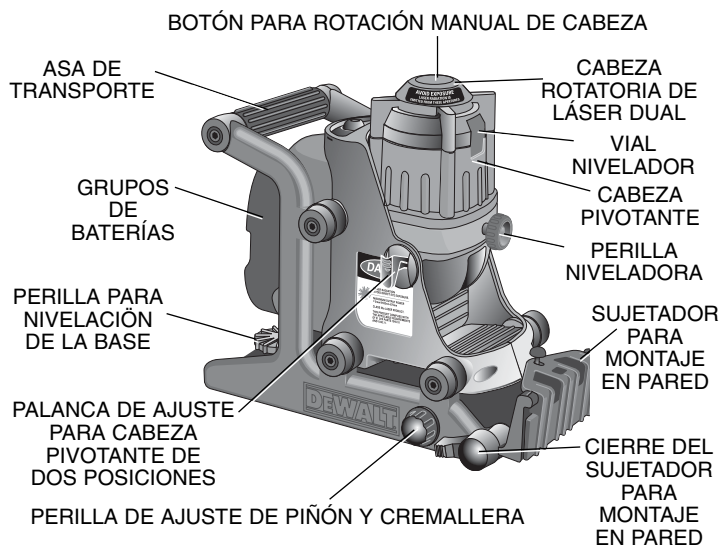
**NOTA:** Asegúrese de que el grupo de baterías está totalmente cargado.

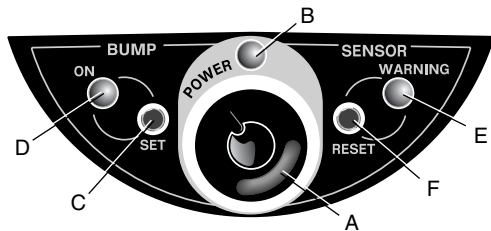
**Para instalar las baterías en el láser rotatorio,** gire la placa de adaptación de batería (A) con el recorte aplicable al paquete de voltios de 9.6, 12, 14.4 (B) o el otro aplicable al paquete de voltios de 18 (C) alineado con los contactos de batería orientados hacia el interior del recorte y deslice las baterías hacia dentro de manera firme hasta que usted oiga que el grupo de baterías se acopla en su lugar.

**Para quitar el grupo de baterías de la herramienta,** empuje las baterías levemente hacia adentro, luego oprima los botones de liberación, y tire firmemente de las baterías sacándolas del compartimento. La clavija eyectora de baterías (D) ayudará en la remoción de éstas. Para recargar las baterías, insértelas en el cargador como se describe en la sección de cargador de este manual.



Español





**Para prender el láser:**

Introduzca la batería completamente cargada en el correspondiente recorte de la placa adaptadora de baterías. Asegúrese de que la batería quede bien acoplada.

Gire la perilla P/A (ON/OFF) (A) en sentido horario para prender el láser. Los diodos duales del láser se prenderán y la luz de diodo “LED” (B) que indica que está prendido se iluminará. La cabeza rotatoria se mantendrá estacionaria durante el primer 1/4 de giro de la perilla. La cabeza láser comenzará a rotar al continuar girando la perilla de velocidad variable en el sentido horario. La velocidad de la cabeza varía de 0 a 600 RPM. La luz de diodo “LED” que indica que está prendido permanecerá iluminada mientras el interruptor se encuentre prendido (ON) y la batería esté cargada.

**Indicador de batería baja:**

El DW073 está equipado con un indicador de batería baja. La activación de una luz de diodo “LED” parpadeante indica que la batería necesita ser recargada. Todas las demás funciones electrónicas de la herramienta se apagarán, incluyendo los diodos láser. Siga las instrucciones para recargar la batería mencionadas en este manual.

**Para apagar el láser:**

Gire la perilla P/A (ON/OFF) en el sentido antihorario hasta que suene el clic de APAGAR y se apaguen los diodos láser. La luz de diodo “LED” que indica de está prendida ya no estará iluminada.

**VELOCIDADES DE ROTACIÓN**

La perilla de velocidad variable puede ser usada para mejorar la visibilidad o detección del haz láser. A menor velocidad de rotación, más luminosa aparecerá la línea del láser. A mayor velocidad de rotación, más sólida aparecerá la línea del láser. Recuerde siempre operar el láser en velocidad ALTA (HIGH) (600 rpm) cuando esté trabajando con el detector de láser digital.

**Recuerde:** velocidad baja = haz luminoso; velocidad alta = haz sólido

**Sensor de golpes**

El láser rotatorio inalámbrico DW073 está equipado con un SENSOR DE GOLPES que le advertirá si el nivel láser ha sido golpeado después del ajuste y nivelación. Si se usa correctamente, este dispositivo puede ayudar a aumentar la precisión del trabajo al asegurar que usted continúa trabajando con igual nivel/posición de plomada al que inicialmente ajustó el láser. El sensor de golpes NO ES UN SENSOR DE DESVIACION DE NIVELACION. No puede advertirle si el láser se encuentra fuera de nivelación sin haber sido golpeado. Revise el nivel o posición de plomada frecuentemente para asegurar la precisión del trabajo.

**CONTROLES DEL SENSOR DE GOLPES**

El sensor de golpes se activa tan pronto se PRENDE la corriente del láser y se mantendrá activo hasta que se APAGUE la corriente del láser. A través del uso de los controles del sensor de golpes, se puede escoger la forma de cómo el láser advierte en caso de haber sido golpeado. Hay dos ajustes para escoger.

**AJUSTE 1**

**LUZ DE DIODO “LED” QUE PARPADEA EN ADVERTENCIA SOLAMENTE**

Con la batería completamente cargada y correctamente insertada, PRENDA la corriente del láser.

El sensor de golpes se activa automáticamente.

- Nivele el láser para establecer una marca de referencia.
- Escoja la velocidad de rotación.

- Si el nivel del láser está golpeado, la luz de diodo “LED” de ADVERTENCIA (E) parpadeará para advertirle.
- Para seguir trabajando, coteje de nuevo el láser con la marca de referencia y nivele de nuevo si es necesario.
- Presione el botón de REPOSICION (RESET) (F) del sensor de golpes para apagar la luz parpadeante y reposicionar el circuito del sensor de golpes.

### AJUSTE 2

#### LUZ DE DIODO “LED” PARPADEANTE DE ADVERTENCIA, DIODOS PARPADEANTES DEL LÁSER Y PARO DE ROTACION

Con la batería completamente cargada y correctamente insertada, PRENDA el láser.

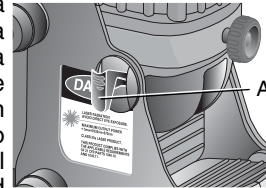
El sensor de golpes se activa automáticamente.

- Nivele el láser y establezca una marca de referencia.
- Escoja la velocidad de rotación.
- Presione el botón de AJUSTE (C) del sensor de golpes para activar el segundo modo de operación. La luz de diodo “LED” del sensor de golpes (D) se iluminará.
- Si el nivel del láser ha sufrido un golpe, la luz de diodo “LED” de ADVERTENCIA (E) del sensor de golpes parpadeará, los diodos duales del láser parpadearán y la rotación de la cabeza láser parará, si la cabeza rotatoria estaba girando.
- Para seguir trabajando, coteje de nuevo el láser con la marca de referencia y nivele de nuevo si es necesario.
- Presione el botón de REPOSICION (RESET) (F) para apagar la luz de diodo “LED” parpadeante y reposicionar el circuito del sensor de golpes. Los diodos del láser dejarán de parpadear y la cabeza rotatoria comenzará a girar de nuevo. La luz de diodo “LED” de PRENDIDO del sensor de golpes permanecerá iluminada y la herramienta permanecerá en este modo de operación.

Para regresar el circuito al ajuste 1, presione de nuevo el botón de AJUSTE (SET) del sensor de golpes (C). La luz de diodo “LED” de PRENDIDO (D) se apagará indicando que el láser se encuentra en modo de operación 1.

### Cabeza pivotante de dos posiciones

Esta herramienta ha sido diseñada con una cabeza pivotante de dos posiciones para ajustes rápidos y fáciles al trabajar. La cabeza pivotante de dos posiciones puede usarse para posicionar el láser tanto en aplicaciones horizontales (nivelación) como verticales (de plomada) y para ajustar el láser con el dispositivo de montaje de pared



integrado. La cabeza pivotante de dos posiciones está diseñada para fijar la nivelación del láser en dos posiciones predeterminadas (nivelación y de plomada) por medio del uso de un pasador de detención accionado por resorte. Las siguientes instrucciones son para efectuar ajustes a la posición de la cabeza láser.

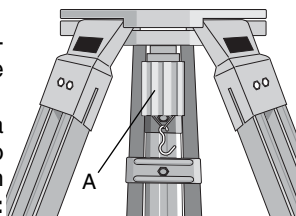
1. Localice la palanca de ajuste de la cabeza pivotante de dos posiciones (A) en el lado del nivel láser, al lado de la etiqueta de advertencia “PELIGRO”.
2. Para pivotar la cabeza láser, levante la palanca de ajuste aproximadamente un cuarto de camino de apertura, suficiente para desenganchar el pasador de detención accionado por resorte que mantiene la cabeza láser en posición. NO TRATE de abrir la palanca de ajuste completamente, lo cual podría dañar el mecanismo de detención. La palanca de ajuste ha sido diseñada para liberar la cabeza pivotante abriéndola sólo un cuarto de lo que corresponde.
3. Mientras levanta la palanca de ajuste aproximadamente un cuarto de apertura con una mano, pivote la cabeza láser con la otra mano hasta que haya recorrido 90° hasta el tope.
4. Suelte la palanca de ajuste y asegúrese de que el pasador de detención quede fijado en su lugar. La cabeza láser ya debe estar fijada en posición y lista para usarse.
5. Siga las instrucciones para la nivelación o plomada del láser. Para posicionar la herramienta para su uso en una pared, vea la sección sobre montaje de pared.
6. Para regresar la cabeza láser a su posición original, repita los pasos 2-4.

## Montaje en la pared, piso & trípode

El láser rotatorio inalámbrico DW073 ha sido diseñado con los accesorios más comunes integrados directamente en la base de la herramienta. Estos accesorios permiten que el láser pueda montarse ya sea sobre un trípode, posicionado directamente sobre el piso, o fijado a la pared para la instalación de techo en desnivel u otros trabajos de nivelación.

### MONTAJE SOBRE TRIPODE

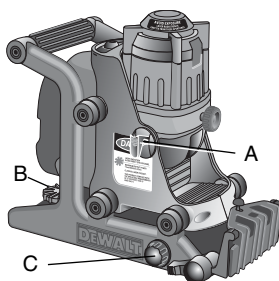
1. Coloque el trípode sobre una superficie lisa y nivelada. Ajuste el trípode a la altura deseada.
2. Fije el láser al trípode atornillando la perilla de rosca (A) del trípode dentro de inserción de rosca de 5/8" x 11 en la base del nivel del láser. **NOTA:** Asegúrese de que el trípode utilizado tenga un tornillo de rosca de 5/8" x 11.
3. Utilice la palanca de ajuste de la cabeza pivotante de dos posiciones para pivotar la cabeza láser para el ajuste de nivelación o de plomada.
4. Siga las instrucciones para el uso del láser en nivelación o en plomada.
5. Prenda el láser; ajuste la velocidad de rotación y los controles según la necesidad.



### MONTAJE SOBRE PISO

El nivel del láser puede ser colocado directamente sobre el piso para aplicaciones de nivelación y plomada. Siga las instrucciones a continuación para utilizar el montaje sobre piso.

1. Coloque el láser sobre una superficie relativamente lisa y nivelada.



2. Use la palanca de ajuste (A) de la cabeza pivotante de dos posiciones para pivotar la cabeza láser para regular el nivel o la plomada.
3. Use la perilla de nivelación de base (B), localizada debajo de la batería, para estabilizar la herramienta y ayudar en nivelación irregular.
4. En orientación de plomada, el láser puede ser posicionado sobre una marca y se pueden efectuar ajustes finos de la posición del láser utilizando las perillas del mecanismo de cremallera y piñón de la base. **SUGERENCIA:** Puede ser de ayuda PRENDER y girar la cabeza rotatoria para fijar una marca. La perilla de cremallera y piñón de la base (D) es una perilla estilo tuerca de mariposa que trabará y destrabará el soporte deslizante de la base. La perilla de ajuste de cremallera y piñón (C) gira para deslizar la herramienta hacia adelante y atrás. **SUGERENCIA:** Puede ser necesario mantener la base del láser hacia abajo al efectuar los ajustes de la herramienta mientras esté en el piso.
5. Siga las instrucciones para nivelación o plomada del láser.
6. Prenda el láser si no está prendido ya; ajuste la velocidad de rotación y los controles según necesidad.

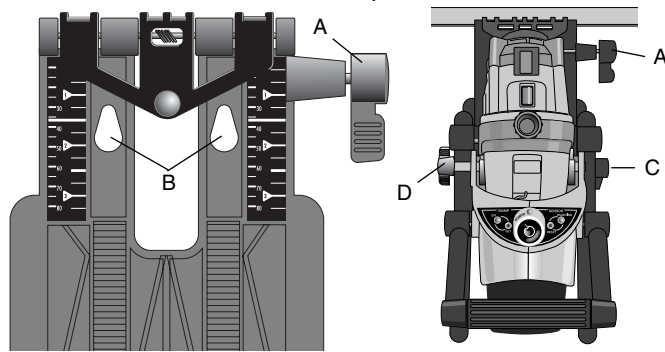
### MONTAJE EN LA PARED

El láser rotatorio inalámbrico DW073 ha sido diseñado con un dispositivo de montaje de pared integrado para fijar la herramienta al riel de pared para ayudar en la instalación de techo acústico y otros proyectos de especialidad de nivelación. Siga las instrucciones a continuación para utilizar el dispositivo de montaje de pared.

**▲ PRECAUCION:** Antes de fijar el nivel del láser al riel de la pared hay que asegurarse de que el riel esté debidamente fijado a la pared.

1. Utilice la palanca de ajuste de la cabeza pivotante de dos posiciones para pivotar la cabeza láser en orientación de plomada.
2. Rote la herramienta entera de forma que la batería se encuentre posicionada al fondo de la herramienta y el sujetador del dispositivo de montaje de pared esté en posición para ser fijado al riel de pared. Vea la ilustración para el montaje apropiado.

- Con la escala de medición de la placa de base al frente de usted, gire la perilla de cierre del sujetador de montaje de pared (A) hacia usted para abrir las mordazas del sujetador. Coloque las mordazas alrededor del riel de la pared y gire la perilla de cierre como retrocediendo de usted para cerrar las mordazas del sujetador sobre el riel. Asegúrese de que la perilla de cierre del sujetador esté firmemente cerrada antes de proceder.



**⚠ PRECAUCION:** Utilice siempre un colgador de alambre de techo o material equivalente en adición al sujetador de montaje de pared, para ayudar a fijar el nivel del láser mientras se monta a la pared. Inserte el alambre en los huecos de la jaula de rodillo arriba de la perilla de ajuste del mecanismo de cremallera y piñón (C) o arriba de la perilla de cierre de cremallera y piñón (D). Adicionalmente pueden usarse tornillos o clavos para fijar la herramienta directamente a la pared como apoyo. Se encuentran huecos para tornillos/clavos (B) en la placa de la base al lado de las escalas de medición de la placa de base.

- La herramienta puede ser ajustada hacia arriba y abajo a la altura deseada para trabajar. Para cambiar la altura, se afloja la perilla de cierre de cremallera y piñón (D) situado a la izquierda de la cabeza láser. **SUGERENCIA:** Puede que sea necesario dar soporte al peso de la herramienta mientras se suelta la perilla de cierre de la cremallera y piñón. Se gira la perilla de ajuste (C) situ-

ada a la derecha de la cabeza láser para mover el nivel del láser hacia arriba y abajo al fijar la altura. Para precisar la marca se utiliza la escala de medición de la placa de base. **SUGERENCIA:** Puede ser de ayuda PRENDER la herramienta y girar la cabeza rotatoria para fijar la altura. Una vez posicionado el láser a la altura deseada, se aprieta la perilla de cierre de la cremallera y piñón para mantener la marca.

- Use la perilla de nivelación de base (detrás de la batería) en el fondo de la placa de base para ayudar a posicionar la herramienta contra la pared.
- Siga las instrucciones para nivelar el láser. **SUGERENCIA:** Recuerde que la perilla de nivelación de adelante controla el movimiento de la burbuja en el vial de adelante, la perilla de nivelación lateral controla el movimiento de la burbuja en el vial de lado.
- Prenda el láser si no está prendido ya, ajuste la velocidad de rotación y controles según se necesite.

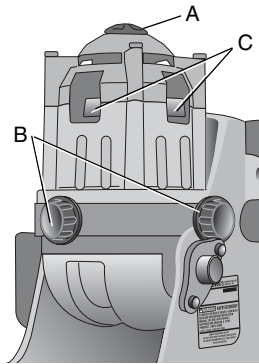
### **Nivelación horizontal**

- Coloque el láser en una superficie relativamente lisa y nivelada como un trípode, o prepare el nivel del láser para ser fijado a un riel de pared utilizando el dispositivo integrado para montaje de pared. Vea la sección de "Montaje de pared".
- Utilice la palanca de ajuste de la cabeza pivotante de dos posiciones para pivotar la cabeza láser a un ajuste de nivel para proyectar un haz de referencia horizontal. En esta posición el botón de rotación de cabeza manual (A) debe apuntar hacia el techo o el cielo.
- Las perillas de nivelación (B) controlan la orientación de la cabeza láser sobre las placas metálicas de nivelación y efectúan el movimiento de las burbujas en los viales (C). Cuando el nivel del láser es colocado en una posición nivelada, la perilla niveladora de adelante controla el movimiento de la burbuja en el vial de adelante. La perilla niveladora lateral controla el movimiento de la burbuja en el vial de lado. **NOTA:** A la herramienta se le aplican las



mismas reglas cuando se utiliza con el dispositivo de montaje de pared.

- Para nivelar el láser, tanto las burbujas en el vial de adelante como en el de lado necesitan ser centradas dentro de los viales. **SUGERENCIA:** Cuanto más precisa sea la centralización de las burbujas, más preciso será el haz de referencia horizontal del láser.
- Para nivelar el láser, gire la perilla niveladora hacia la burbuja hasta que la burbuja esté centrada en el vial. **SUGERENCIA:** Para mover la burbuja en el vial de adelante hacia la derecha, gire la perilla niveladora de adelante hacia la izquierda. Para mover la burbuja en el vial de adelante hacia la izquierda, gire la perilla niveladora hacia la derecha. Repita el procedimiento para el vial lateral.
- Prenda el láser, si no está prendido ya; ajuste la velocidad de rotación y los controles según se necesite.
- Para proyectar un plano de referencia nivelado de láser, ajuste la velocidad de rotación para la visibilidad preferida. **Recuerde:** velocidad baja = haz luminoso; velocidad alta = haz sólido

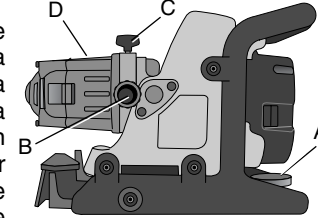


### Plomada vertical

- Coloque el láser sobre una superficie relativamente lisa y nivelada. La herramienta debe ser posicionada sobre la placa grande de base debajo de la batería. Utilice la perilla niveladora de base (A) para posicionar el láser de modo preliminar.
- Utilice la palanca de ajuste de la cabeza pivotante de dos posiciones para pivotar la cabeza láser en el ajuste de plomada a fin de proyectar un haz vertical de referencia. En esta posición la cabeza pivotante del láser debe estar directamente sobre el sujetador de pared y el tablero de control debe mirar hacia el techo.
- Para aplomar el láser, solamente se necesita centrar la burbuja en

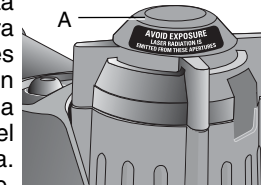
el vial de plomada (D). **SUGERENCIA:** Cuanto más precisa sea la centralización de la burbuja dentro del vial, más preciso será el haz de referencia del láser.

- Mirando por encima de la parte superior del láser, gire la perilla de nivelación de plomada (B) (la cual está situada en el lado de la cabeza pivotante del láser en esta orientación) para mover la burbuja dentro del vial de plomada (D). Gire la perilla de nivelación de plomada hacia la burbuja hasta que la burbuja esté centrada en el vial. **SUGERENCIA:** Gire la perilla en la dirección opuesta a la que se necesite que se mueva la burbuja.
- Utilice la perilla alineadora del haz de plomada (C) (la perilla que le sigue al vial de plomada) para ajustar el plano de referencia de plomada del láser sobre la marca.
- Prenda el láser, si no está prendido ya; ajuste la velocidad de rotación y los controles según sea necesario.
- Para proyectar un plano de referencia de plomada mediante el láser, ajuste la velocidad de rotación para la visibilidad preferida. **Recuerde:** velocidad baja = haz luminoso; velocidad alta = haz sólido



### Botón de rotación manual de la cabeza

El láser ha sido diseñado con una cubierta protectora sobre la cabeza rotatoria para prevenir daños accidentales provenientes de las actividades del sitio de trabajo. Sin embargo usted puede tener acceso a la cabeza rotatoria y dirigir manualmente el haz para establecer o transferir una marca. Para rotar el haz del láser manualmente, seguir las instrucciones a continuación:



Español

Si el láser esta APAGADO, gire la perilla PRENDIDO/APAGADO (ON/OFF) en sentido horario 1/4 de vuelta o menos. Asegúrese de que los diodos láser están prendidos y que la cabeza rotatoria no esté girando. Si el láser está PRENDIDO y girando, gire la perilla PRENDIDO/APAGADO (ON/OFF) en sentido antihorario hasta que cese la rotación de la cabeza.

Oprima el botón de resorte para la rotación manual de la cabeza (A) en la parte superior de la cubierta protectora. El botón hará contacto con la cabeza rotatoria del láser. Manteniendo la presión sobre el botón de rotación manual de la cabeza, usted puede ahora girar el botón y dirigir los haces del láser en la dirección de la marca.

Ya que el láser ha sido diseñado con diodos lásericos duales, uno al lado del otro, usted verá 2 puntos en el objeto sobre el cual se esté proyectando el haz. Se pueden hacer las marcas utilizando cualquiera de los puntos lásericos. Marque el centro del punto.

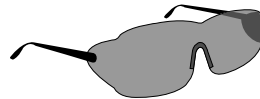
NO trate de utilizar el botón de rotación manual de la cabeza mientras la cabeza rotatoria esté girando.

Mientras se esté utilizando el botón de rotación manual de la cabeza se recomienda ajustar el sensor de golpes al ajuste 1. Vea la operación del sensor de golpes.

**NOTA:** Después de guardar este producto en condiciones de frío extremo, la cabeza láser puede no girar inmediatamente al encender la unidad. Puede iniciarse el movimiento de la cabeza oprimiendo y girando el botón de rotación manual en sentido opuesto a las manecillas del reloj.

### **Gafas intensificadoras para láser**

El juego de láser DEWALT incluye un par de gafas intensificadoras del láser. Estos lentes rojos mejoran la visibilidad del haz láserico bajo condiciones de luz brillante o en distancias largas. Estas gafas no son requeridos para operar el láser, pero ayudan. Funcionan mejor en recintos cerrados, donde los lentes filtran la luz ambiental e intensifican el punto rojo o línea del láser ante los ojos.



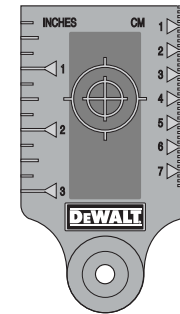
**Español**

**⚠ PRECAUCION:** Estos lentes no están aprobados por ANSI como lentes de seguridad y no deben usarse mientras se opera con otras herramientas. Estas gafas no evitan la entrada del haz láserico a los ojos.

**⚠ PELIGRO:** NO MIRE NUNCA DIRECTAMENTE DENTRO DEL HAZ LASERICO NI CON NI SIN ESTAS GAFAS.

### **Tarjeta de mira**

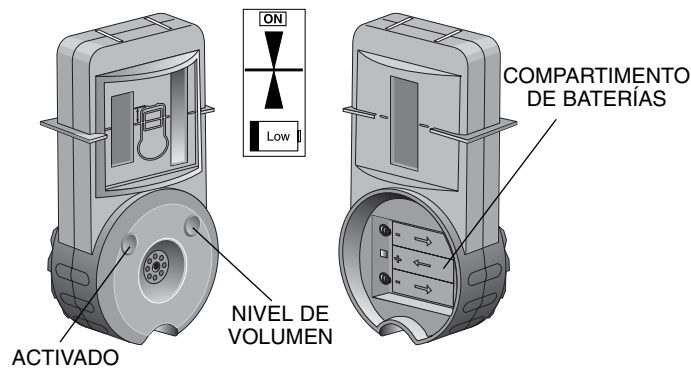
El estuche de láser rotatorio DEWALT incluye una tarjeta de mira de láser para ayudar en la localización y marcaje del haz láserico. La tarjeta de mira aumenta la visibilidad del haz láserico al cruzar éste sobre la tarjeta. La tarjeta está marcada con escalas métricas y de pulgadas. El haz láserico pasa a través del plástico rojo y sale reflejado de la cinta reflectora del lado reverso. Los magnetos en la parte de arriba fijan la tarjeta de mira al riel del techo o a los salientes de acero para determinar las posiciones de plomada y nivel.



### **Detector digital de láser**

El detector digital de láser DEWALT permite localizar un haz láserico emitido por un láser rotatorio en condiciones de luz brillante o en distancias largas. El detector puede ser utilizado tanto en situaciones de interiores como en exteriores donde se dificulta ver el haz láserico. El detector no se utiliza con láseres no rotatorios.

El detector emite señales tanto visuales como de audio en cuanto a la ubicación del haz del láser al cruzar el haz sobre el detector. El detector digital de láser DEWALT es compatible con la mayoría de los láseres rotatorios en el mercado de hoy. El sujetador fija el detector a reglas de lectura para rasante, jalones de mira, entramados de pared o postes. El detector también puede montarse a rieles del techo, fijando los magnetos de la parte superior del detector al riel.



Si el estuche del láser viene con un detector digital de láser DEWALT, se ha incluido un manual de instrucciones por separado. Para el uso y operación apropiados, favor leer y comprender el manual del detector antes de utilizarlo.

### Aplicaciones

El láser rotatorio inalámbrico DW073 es una herramienta versátil y precisa que puede ser utilizada en proyectos de construcción y remodelación tanto en interiores como en exteriores. El nivel láser puede ser ajustado y posicionado para ser utilizado en docenas de aplicaciones horizontales (nivel) y verticales (de plomada). Algunas de las aplicaciones más comunes se enumeran a continuación. Se mencionan los pasos generales del usuario para cada aplicación como guía. No intentan proveer instrucciones detalladas para completar cada proyecto de nivelación o de plomada.

### Instalación de techo

1. Siga las instrucciones en este manual para operar el dispositivo de montaje de pared integrado.
2. Asegure la herramienta al riel de la pared y ajuste el láser a la altura requerida.

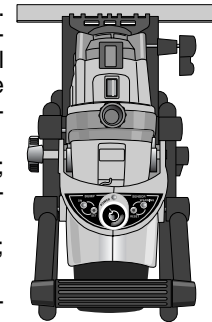
3. Siga las instrucciones para nivelar el láser. **SUGERENCIA:** Tenga presente que la perilla de nivelación de adelante controla el vial de la burbuja de adelante, la perilla de nivelación lateral controla el vial de la burbuja lateral.

4. Prenda el láser si no está prendido ya; ajuste la velocidad de rotación y los controles según necesidad.

**Recuerde:** velocidad baja = haz luminoso; velocidad alta = haz sólido

5. Use la tarjeta de mira para ayudar a encontrar el plano de referencia del haz del láser rotatorio. Fije la base magnética de la tarjeta de mira del láser a las secciones transversales del riel del techo. **SUGERENCIA:** Utilice las gafas intensificadoras para láser como ayuda para mejorar la visibilidad del haz del láser.

6. Ahora puede comenzar a nivelar con precisión el emparrillado o riel para la instalación del techo.



### Replanteo de paredes

1. Siga las instrucciones en este manual para operar el dispositivo incorporado para montaje sobre piso.
2. Utilice la perilla de ajuste de la cabeza pivotante de dos posiciones para pivotar la cabeza láser en un ajuste de plomada.
3. Posicione el láser sobre un punto predeterminado de referencia en el piso y ajuste la herramienta utilizando las perillas de ajuste de cremallera y piñón.
4. Siga las instrucciones para aplomar el láser.
5. Prenda el láser, si no está prendido ya, ajuste la velocidad de rotación y los controles según necesidad. **Recuerde:** velocidad baja = haz luminoso; velocidad alta = haz sólido
6. Utilice la tarjeta de mira de láser para ayudarlo a encontrar el plano de referencia del haz del láser rotatorio y para transferir la

marca. **SUGERENCIA:** Utilice las gafas intensificadoras de láser para ayudar a mejorar la visibilidad del haz de láser.

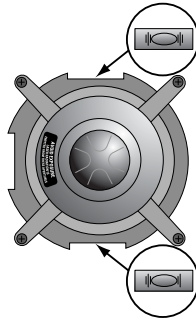
- Ahora puede comenzar a aplomar y replantear las paredes mediante la transferencia de los puntos de referencia del piso al techo.

### Fundaciones

- Siga las instrucciones de este manual para montar el láser sobre un trípode.
- Use la perilla de ajuste para la cabeza pivotante láser de dos posiciones para efectuar un reglaje de nivel.
- Siga las instrucciones para nivelar el láser.
- Prenda el láser si todavía no lo está; regule la velocidad de rotación y los controles según sea necesario. **Recuerde:** Cuando usted trabaja con el detector de láser digital DEWALT, ponga la velocidad de control variable en la regulación más alta. (600 RPM)
- Monte el detector digital de láser DEWALT al sujetador del detector y fije el sujetador a una regla de lectura para rasante u otro jalón de mira.
- Ajuste el sujetador a la altura adecuada del jalón para detectar el rayo láser rotatorio y para nivelar la fundación.
- Empiece a nivelar el área de fundación.

### Construcción de patios entablados

- Siga las instrucciones de este manual para montar el láser sobre un trípode.
- Use la perilla de ajuste para la cabeza láser pivotante de dos posiciones para pivotar la cabeza láser hasta obtener el ajuste de nivel.
- Siga las instrucciones para nivelar el láser.
- Prenda el láser si todavía no lo está; regule la velocidad de rotación y los controles según sea necesario. **Recuerde:** Cuando usted trabaja con el detector de láser digital DEWALT, ponga la velocidad de control variable en la regulación más alta. (600 RPM).



- Use el detector de láser digital DEWALT para ubicar el haz de láser rotatorio y para fijar sus marcas en los postes.
- Empiece a disponer y nivelar el patio de entablados.

### Mantenimiento

- Para mantener la precisión de su trabajo, haga verificar el láser a menudo para asegurarse de que está correctamente calibrado.
- Se pueden efectuar los chequeos de calibración y otras reparaciones de mantenimiento en los centros de servicio DEWALT. El contrato de servicio DEWALT de un año, incluye dos verificaciones de calibración gratis.
- Guarde el láser en el estuche suministrado para cuando el láser no está en uso.
- No guarde el láser en el estuche si el láser está mojado. Deje que éste se seque al aire libre y seque las partes externas con un paño suave y seco.
- No guarde el láser a temperaturas inferiores a 0°F o superiores a 105°F.

**▲ LIMPIEZA:** Las partes externas de plástico se pueden limpiar con un paño húmedo y un detergente suave. Aunque estas partes son altamente resistentes a los solventes, NUNCA utilice solventes. Use un paño suave y seco para quitar la humedad de la herramienta y accesorios antes de guardarlos. No use nunca aire comprimido para limpiar el láser.

### Verificación de calibración de campo

Esta sección provee instrucciones para que usted pueda hacer chequeos de calibración de campo a su láser rotatorio DEWALT. Estas verificaciones no pueden tomar el lugar de una calibración hecha por un centro de servicio DEWALT.

Estas instrucciones le ayudarán a verificar tres tipos de errores fuera-de-nivel.

- Error de inclinación** – verifica si la rotación de la cabeza de su láser rotatorio está perfectamente nivelada.

- **Error de cono** – verifica que los haces de rayos láser no están en ángulo con relación a la cabeza del nivel.
- **Error de plomada** – verifica la calibración del vial de la plomada de nivel.

#### VERIFICACIÓN DEL ERROR DE INCLINACIÓN

Verificación horizontal del error de inclinación en posición adelante-atrás

- Monte el trípode a mitad de camino entre 2 superficies verticales a aproximadamente 100' el uno del otro.
- Monte su láser rotatorio en el trípode en posición adelante- atrás hacia las superficies verticales (próxima página).
- Nivele el láser, siguiendo el procedimiento en la sección de "Nivelado horizontal" de este manual.

#### Verificación rápida:

- Compare la posición de las burbujas en los viales de adelante y atrás (Fig. AA).
- Si las dos burbujas no están en aproximadamente la misma posición en sus viales, (las dos prácticamente centradas) haga calibrar su láser rotatorio en un centro de servicio DEWALT.
- Prenda la unidad para que los láseres estén prendidos y girando.
- Vaya a la superficie #1 y marque el centro del haz. Si es difícil ver el haz, use sus gafas intensificadoras para láser, tarjeta de mira o el detector de láser digital DW0732 opcional.
- Vaya a la superficie #2 y marque el centro del haz.
- Afloje el tornillo que fija el láser al trípode pero no quite el láser.
- Gire el láser 180° (Fig. BB).
- Nivele el láser de nuevo, siguiendo el procedimiento de la sección de "Nivelado horizontal" de este manual.
- Prenda la unidad para que los láseres estén prendidos y girando.
- Vaya a la superficie #1 y marque el centro del haz.
- Vaya a la superficie #2 y marque el centro del haz.
- Mida la diferencia entre las marcas en la superficie #1.
- Mida la diferencia entre las marcas en la superficie #2.

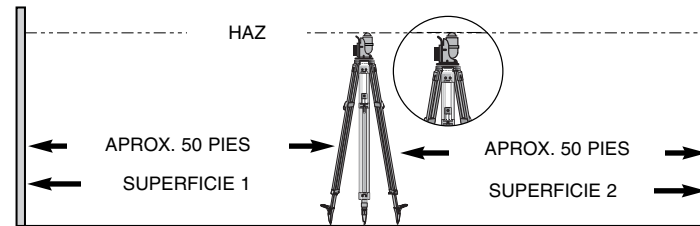


FIG. AA – UNIDAD ORIENTADA HACIA LA DERECHA

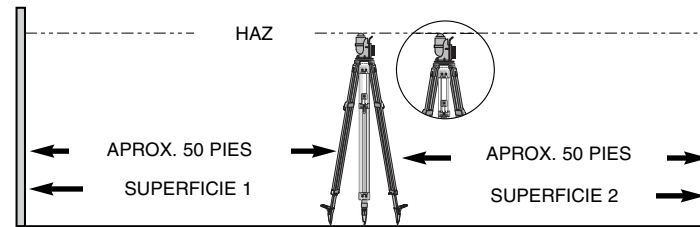


FIG. BB – UNIDAD ORIENTADA HACIA LA IZQUIERDA

- La diferencia entre las marcas de la superficie #1 debe ser igual a la diferencia entre las marcas de la superficie #2. Si estas no son iguales, ha habido un error de regulación o marcaje del usuario.
- Si la diferencia entre las marcas en la superficie #1 es de 1/4" o menos, el láser está adecuadamente calibrado.
- Si la diferencia entre las marcas de la superficie #1 es más de 1/4", haga calibrar su láser rotatorio en un centro de servicio DEWALT.

#### VERIFICACIÓN HORIZONTAL DE ERROR DE INCLINACIÓN DE LADO A LADO

- Monte el trípode a mitad de camino entre 2 superficies verticales a aproximadamente 100' el uno del otro.

- Monte su láser rotatorio en el trípode en posición de lado a lado hacia las superficies verticales.
- Nivele el láser, siguiendo el procedimiento en la sección de "Nivelado horizontal" de este manual.
- Prenda la unidad para que los láseres estén prendidos y girando.
- Vaya a la superficie #1 y marque el centro del rayo. Si es difícil ver el haz, use algunas de las ayudas mencionadas más arriba.
- Vaya a la superficie #2 y marque el centro del haz.
- Afloje el tornillo que fija el láser al trípode pero no quite el láser.
- Gire el láser 180°.
- Nivele el láser de nuevo, siguiendo el procedimiento de la sección de "Nivelado horizontal" de este manual.
- Prenda la unidad para que los láseres estén prendidos y girando.
- Vaya a la superficie #1 y marque el centro del rayo.
- Vaya a la superficie #2 y marque el centro del rayo.
- La diferencia entre las marcas de la superficie #1 debe ser igual a la diferencia entre las marcas de la superficie # 2. Si estas no son iguales, ha habido un error de regulación o marcaje del usuario.
- Si la diferencia entre las marcas en la superficie #1 es de 1/4" o menos, el láser está adecuadamente calibrado.
- Si la diferencia entre las marcas de la superficie #1 es más de 1/4", haga calibrar su láser rotatorio en un centro de servicio DEWALT.

#### VERIFICACIÓN DE ERROR DE CONO

- Su láser rotatorio DEWALT contiene 2 unidades de diodos láser. Es muy poco probable que ambos láseres se hubieran desviado en igual cantidad. La forma más fácil para comprobar este posible "error de cono" es comparando los dos haces de rayos láser.
- Nivele el láser, siguiendo las instrucciones de la sección de "Nivelado horizontal" de este manual.
- **Verificación rápida:**
  1. Prenda la unidad para que los láseres estén prendidos y girando.

2. Usted deberá ver una sola línea roja sobre una superficie vertical. Si ve una doble línea, haga calibrar a su láser rotatorio en un centro de servicio DEWALT.
- Prenda la unidad para que los láseres estén prendidos pero SIN girar.
  - Usando el botón de rotación manual, gire la cabeza de tal manera que los láseres aparezcan como dos puntos en una superficie vertical a aproximadamente 25 pies de distancia.
  - Compare la posición vertical del centro de cada haz de láser. Los centros deben estar a 3/32" (verticalmente) de sí mismos.
  - Si los centros de los dos haces difieren en más de 3/32" (verticalmente), haga calibrar su láser rotatorio en un centro de servicio DEWALT

#### VERIFICACIÓN DE ERROR DE PLOMADA

- Monte un trípode a aproximadamente 25 pies de una superficie vertical.
- Monte su láser rotatorio sobre el trípode.
- Siguiendo el procedimiento de la sección "Cabeza pivotante de dos posiciones" de este manual, ponga el láser rotatorio en la posición de plomada.
- Cuelgue una plomada sobre la superficie.
- Nivele el láser, siguiendo las instrucciones de la sección "Plomada vertical" de este manual.
- Prenda la unidad para que los láseres estén prendidos y girando.
- Gire el láser sobre el trípode para que el haz esté en línea con la plomada.
- Asegure que el láser todavía está a nivel.
- Si el haz se sitúa a lo largo de la misma línea que la plomada, la calibración es aceptable.
- Si el haz no se sitúa a lo largo de la misma línea que la plomada, haga calibrar su láser rotatorio en un centro de servicio DEWALT.



## Accesorios

Los accesorios que se recomiendan usar con su herramienta están disponibles a un costo adicional en su centro de servicio local.

**▲ ATENCIÓN:** Puede ser peligroso usar cualquier accesorio no recomendado.

De necesitar asistencia para obtener un accesorio, favor dirigirse a DEWALT Industrial Tool Co., 701 East Joppa Road, Baltimore, MD 21286 o llame al 1-800-4-DeWALT.(1-800-433-9258). Vea nuestro catálogo en el World Wide Web, portal [www.DEWALT.com](http://www.DEWALT.com)

## Reparaciones

Para garantizar la SEGURIDAD y la CONFIABILIDAD, deberán hacerse reparaciones, mantenimiento y ajustes de esta herramienta en los centros autorizados de servicio DEWALT u otras organizaciones autorizadas. Estas organizaciones prestan servicio a las herramientas DEWALT y emplean siempre refacciones legítimas DEWALT.

## Póliza de Garantía

IDENTIFICACIÓN DEL PRODUCTO:

Sello o firma del Distribuidor.

Nombre del producto: \_\_\_\_\_ Mod./Cat.: \_\_\_\_\_

Marca: \_\_\_\_\_ Núm. de serie: \_\_\_\_\_

(Datos para ser llenados por el distribuidor)

Fecha de compra y/o entrega del producto: \_\_\_\_\_

Nombre y domicilio del distribuidor donde se adquirió el producto: \_\_\_\_\_

Este producto está garantizado por un año a partir de la fecha de entrega, contra cualquier defecto en su funcionamiento, así como en materiales y mano de obra empleados para su fabricación. Nuestra garantía incluye la reparación o reposición del producto y/o componentes sin cargo alguno para el cliente, incluyendo mano de obra, así como los gastos de transportación razonablemente erogados derivados del cumplimiento de este certificado.

Para hacer efectiva esta garantía deberá presentar su herramienta y esta póliza sellada por el establecimiento comercial donde se adquirió el producto, de no contar con ésta, bastará la factura de compra.

## EXCEPCIONES.

Esta garantía no será válida en los siguientes casos:

- Cuando el producto se hubiese utilizado en condiciones distintas a las normales;
- Cuando el producto no hubiese sido operado de acuerdo con el instructivo de uso que se acompaña;
- Cuando el producto hubiese sido alterado o reparado por personas distintas a las enlistadas al final de este certificado.

Anexo encontrará una relación de sucursales de servicio de fábrica, centros de servicio autorizados y franquiciados en la República Mexicana, donde podrá hacer efectiva su garantía y adquirir partes, refacciones y accesorios originales.

## Garantía limitada por tres años

DEWALT reparará, sin cargo, cualquier falla que surja de defectos en el material o la fabricación del producto, por hasta tres años a contar de la fecha de compra. Esta garantía no cubre fallas de las piezas causadas por su desgaste normal o abuso a la herramienta. Para mayores detalles sobre la cobertura de la garantía e información acerca de reparaciones realizadas bajo garantía, visítenos en [www.dewalt.com](http://www.dewalt.com) o dirígase al centro de servicio más cercano. Esta garantía no aplica a accesorios o a daños causados por reparaciones realizadas o intentadas por terceros. Esta garantía le otorga derechos legales específicos, además de los cuales puede tener otros dependiendo del estado o la provincia en que se encuentre.

Además de la garantía, las herramientas DEWALT están cubiertas por:

### 1 AÑO DE SERVICIO GRATUITO

DEWALT mantendrá la herramienta y reemplazará las piezas gastadas por su uso normal, sin cobro, en cualquier momento durante un año a contar de la fecha de compra.

**2 AÑOS DE SERVICIO GRATUITO PARA UNIDADES DE ALIMENTACION XRP<sup>MC</sup>**  
DC9096, DC9091 y DC9071

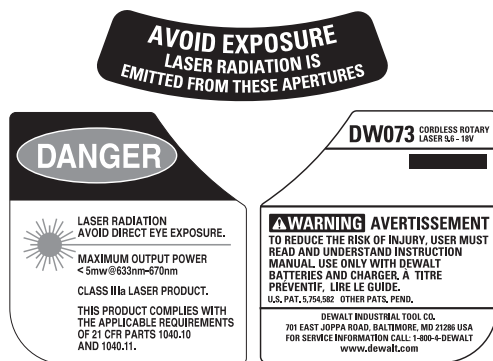
**GARANTÍA DE REEMBOLSO DE SU DINERO POR 90 DÍAS**

Si no está completamente satisfecho con el desempeño de su máquina herramienta, láser o clavadora DEWALT, cualquiera sea el motivo, podrá devolverlo hasta 90 días de la fecha de compra con su recibo y obtener el reembolso completo de su dinero – sin necesidad de responder a ninguna pregunta.

**AMÉRICA LATINA:** Esta garantía no se aplica a los productos que se venden en América Latina. Para los productos que se venden en América Latina, debe consultar la información de la garantía específica del país que viene en el empaque, llamar a la compañía local o visitar el sitio Web a fin de obtener esa información.

**REEMPLAZO DE LAS ETIQUETAS DE ADVERTENCIA GRATUITO:** Si sus etiquetas de advertencia se tornan ilegibles o se pierden, llame al 1-800-4-DEWALT para que se las reemplacen sin cost.

**Español**



**PARA REPARACION Y SERVICIO DE SUS HERRAMIENTAS ELÉCTRICAS, FAVOR DE DIRIGIRSE AL CENTRO DE SERVICIO MAS CERCANO**

- CULIACAN, SIN**  
Av. Nicolás Bravo #1063 Sur - Col. Industrial Bravo (667) 7 12 42 11
- GUADALAJARA, JAL**  
Av. La Paz #1779 - Col. Americana Sector Juárez (33) 3825 6978
- MEXICO, D.F.**  
Eje Central Lázaro Cárdenas No. 18  
Local D, Col. Obrera (55) 5588 9377
- MERIDA, YUC**  
Calle 63 #459-A - Col. Centro (999) 928 5038
- MONTERREY, N.L.**  
Av. Francisco I. Madero No.831 - Col. Centro (81) 8375 2313
- PUEBLA, PUE**  
17 Norte #205 - Col. Centro (222) 246 3714
- QUERETARO, QRO**  
Av. Madero 139 Pte. - Col. Centro (442) 214 1660
- SAN LUIS POTOSI, SLP**  
Av. Universidad 1525 - Col. San Luis (444) 814 2383
- TORREON, COAH**  
Blvd. Independencia, 96 Pte. - Col. Centro (871) 716 5265
- VERACRUZ, VER**  
Prolongación Díaz Mirón #4280 - Col. Remes (229) 921 7016
- VILLAHERMOSA, TAB**  
Constitución 516-A - Col. Centro (993) 312 5111

**PARA OTRAS LOCALIDADES LLAME AL: (55) 5326 7100**

IMPORTADOR: DEWALT S.A. DE C.V.  
BOSQUES DE CIDROS ACCESO RADIATAS NO. 42  
COL. BOSQUES DE LAS LOMAS, 3A. SECCIÓN, CP 05120  
DELEGACIÓN CUAJIMALPA, MÉXICO, D.F.  
TEL. 5 326 7100  
R.F.C.: BDE810626-1W7

**Para servicio y ventas consulte  
"HERRAMIENTAS ELÉCTRICAS"  
en la sección amarilla.**



## **Guía de solución de problemas**

Esta guía tiene por objeto ayudarle a determinar por qué el láser no está funcionando como usted espera. Estas son algunas de las preguntas u observaciones más comunes. Si después de haber leído por completo esta Guía de solución de problemas y el manual de instrucciones usted todavía tiene preguntas o problemas con su láser DEWALT, llame gratis a nuestra línea directa 1-800-4-DEWALT o visite uno de nuestros centros de servicio.

### **LA BATERIA NO QUIERE ACOPLARSE EN SU LUGAR.**

Vea "Instalación del grupo de baterías"

### **EL LÁSER NO SE PRENDE.**

Asegúrese de haber insertado las baterías completamente cargadas correctamente en la herramienta. **SUGERENCIA:** Vea la sección "Instalación del grupo de baterías". Gire la perilla de velocidad variable PRENDIDO/APAGADO (ON /OFF) en sentido horario para que se prenda. **SUGERENCIA:** Vea la sección "Tablero de control". Si el láser todavía no se prende, lleve la herramienta a un centro de servicio DEWALT.

### **DESPUÉS DE PRENDER EL LÁSER, SE PROYECTAN DOS PUNTOS DE LÁSER DE LA CABEZA ROTATORIA.**

El láser rotatorio inalámbrico DW073 está diseñado para diodos láser duales de lado a lado. Los dos diodos permiten que el láser evite los puntos ciegos que potencialmente se podrían producir debido a la cubierta protectora encima de la cabeza rotatoria y además evita crear un haz extremadamente luminoso al girar la cabeza rotatoria láser.

### **EL LÁSER PROYECTA 2 LÍNEAS DE LÁSER AL GIRAR LA CABEZA LÁSER.**

Lleve el láser a un centro de servicio DEWALT para su calibración.

### **LA LUZ DE ACTIVACIÓN "LED" PARPADEA, LA CABEZA ROTATORIA HA DEJADO DE GIRAR Y LOS DIODOS LÁSER SE HAN APAGADO.**

Esto indica que las baterías necesitan recargarse. **SUGERENCIA:** Vea las secciones "Remoción del grupo de baterías" y "Procedimientos de carga."

### **LA LUZ DEL SENSOR DE GOLPES ESTÁ PARPADEANDO.**

Vea la sección de "Sensor de golpes" para las instrucciones de operación.

### **EL SENSOR DE GOLPES NO QUIERE APAGAR EL LÁSER DESPUÉS DE QUE LA HERRAMIENTA SE ENCUENTRA FUERA DE NIVEL.**

El sensor de golpes NO ES UN SENSOR PARA DESVIACIÓN DE NIVEL. Vea la sección de "Sensor de golpes".

### **ES DIFÍCIL VER EL HAZ DEL LÁSER ROTATORIO EN EL INTERIOR DE UN RECINTO.**

Las condiciones de la luz ambiental influirán en la visibilidad del haz láser. Para ayudar en la visibilidad del haz, ajuste la velocidad de rotación mediante el INTERRUPTOR DE VELOCIDAD VARIABLE PRENDIDO/APAGADO (ON/OFF). **Recuerde:** Velocidad baja = Haz luminoso; Velocidad rápida = Haz sólido. El usar las gafas intensificadoras para láser también le ayuda a ver mejor el haz.

### **NECESITO AJUSTAR EL LÁSER PARA LA ORIENTACIÓN VERTICAL / PLOMADA.**

Vea la sección "Cabeza pivotante de dos posiciones".

### **NECESITO AJUSTAR EL LÁSER PARA MONTARLO A UNA PARED.**

Vea la sección "Montaje en pared".

***EL LÁSER SE MECE CUANDO SE COLOCA EN EL PISO.***

El láser está diseñado para asentarse en 3 puntos de contacto para estabilidad máxima. Dos de estos puntos de contacto son estacionarios mientras que el tercero es ajustable. Para posicionar la herramienta con cierta precisión en el piso, ajuste la perilla de nivelación de base que se encuentra debajo del grupo de baterías.

***NECESITO PARAR LA ROTACIÓN DE LA CABEZA ROTATORIA PARA DIRIGIR EL PUNTO DE LÁSER A UNA MARCA O HACER UNA MARCA.***

Vea la sección “Rotación manual de la cabeza”.

***LA(S) BURBUJA(S) EN EL VIAL(ES) NO SE MUEVE(N) CUANDO TRATO DE NIVELAR EL LÁSER.***

La herramienta debe posicionarse sobre una superficie relativamente lisa y nivelada antes de nivelar. El láser no puede nivelarse si la herramienta se monta fuera de su ámbito de nivelación. **SUGERENCIA:** Use la perilla de nivelación de base para nivelar la herramienta en forma aproximada antes de tratar de nivelar el láser con las perillas de nivelación. **SUGERENCIA:** Asegúrese de que la cabeza pivotante de dos posiciones está fijada en la regulación de plomada o de nivel antes de tratar de nivelar el láser. Vea la sección “Cabeza pivotante de dos posiciones”.

***CUANDO TRATO DE PROYECTAR UNA LÍNEA LÁSER VERTICAL, SOLO LOGRO AJUSTAR LA BURBUJA EN EL VIAL DE PLOMADA.***

Vea la sección “Plomada vertical” que contiene instrucciones para proyectar una línea láser vertical.

***INFORMACION PARA ALMACENAMIENTO FRIO***

Después de guardar este producto en condiciones de frío extremo, la cabeza láser puede no girar inmediatamente al encender la unidad. Puede iniciarse el movimiento de la cabeza oprimiendo y girando el botón de rotación manual en sentido opuesto a las manecillas del reloj.



<b>DeWALT Battery and Charger Systems</b>														
Battery	Output	Chargers/Charge Time – Chargeurs/Durée de charge (Minutes) – Cargadores de baterías/Tiempo de carga (Minutos)												
Cat Number	Voltage	120 Volts											12 Volts	
		DW9106	DW9118	DW9107	DW9108	DW9116	DW9216	DW9117	DW911	DC011	DW0246	DC9000	DW9109	DW0249
DW0242	24	X	X	X	X	X	X	X	X	X	60	X	X	60
DC9096	18	X	X	X	60	60	60	20	60	60	X	X	60	X
DW9096	18	X	X	X	60	60	60	20	60	60	X	X	60	X
DW9098	18	X	X	X	30	30	30	12	30	30	X	X	30	X
DW9099	18	X	X	X	45	45	45	15	45	45	X	X	45	X
DC9091	14.4	90	115	60	60	60	60	20	60	60	X	X	60	X
DW9091	14.4	45	90	45	45	45	45	15	45	45	X	X	45	X
DW9094	14.4	60	60	30	30	30	30	12	30	30	X	X	30	X
DC9071	12	90	115	60	60	60	60	20	60	60	X	X	60	X
DW9071	12	60	90	45	45	45	45	15	45	45	X	X	45	X
DW9072	12	45	60	30	30	30	30	12	30	30	X	X	30	X
DW9050	12	40	X	X	X	X	X	X	X	X	X	X	X	X
DW9061	9.6	60	90	45	45	45	45	15	45	45	X	X	45	X
DW9062	9.6	45	60	30	30	30	30	12	30	30	X	X	30	X
DW9048	9.6	40	X	X	X	X	X	X	X	X	X	X	X	X
DW9057	7.2	45	60	30	30	30	30	12	30	30	X	X	30	X
DC9360	36	X	X	X	X	X	X	X	X	X	X	60	X	X

**X Indicates that the battery pack is not compatible with that specific charger.**  
X indique que le bloc-piles n'est pas compatible avec ce chargeur.  
Una "X" indica que el paquete de baterías no es compatible con ese determinado cargador.

**All charge times are approximate. Actual charge time may vary.  
Read the instruction manual for more specific information.**

*Les durées de charge sont approximatives; la durée de charge réelle peut varier.  
Lire le manuel d'utilisation pour obtenir des renseignements plus précis.*

*El tiempo de duración de carga es aproximado; la duración de carga real puede variar.  
Lea el manual de instrucciones para obtener información más precisa.*

DEWALT Industrial Tool Co., 701 East Joppa Road, Baltimore, MD 21286 (APR06) Form No. 638595-01  
Copyright © 2003, 2004, 2006 DEWALT

The following are trademarks for one or more DEWALT power tools: the yellow and black color scheme; the "D" shaped air intake grill; the array of pyramids on the handgrip; the kit box configuration; and the array of lozenge-shaped humps on the surface of the tool.