

DEWALT®



**Instruction Manual
Guide D'utilisation
Manual de instrucciones**

**DCS7485
Cordless Table Saw
Scie de table sans fil
Sierra de banco inalámbrica**

www.DEWALT.com





**If you have questions or comments, contact us.
Pour toute question ou tout commentaire, nous contacter.
Si tiene dudas o comentarios, contáctenos.**

1-800-4-DEWALT

English (original instructions)	1
Français (<i>traduction de la notice d'instructions originale</i>)	15
Español (<i>traducido de las instrucciones originales</i>)	30

Definitions: Safety Alert Symbols and Words

This instruction manual uses the following safety alert symbols and words to alert you to hazardous situations and your risk of personal injury or property damage.

-  **DANGER:** Indicates an imminently hazardous situation which, if not avoided, **will** result in **death or serious injury**.
-  **WARNING:** Indicates a potentially hazardous situation which, if not avoided, **could** result in **death or serious injury**.
-  **CAUTION:** Indicates a potentially hazardous situation which, if not avoided, **may** result in **minor or moderate injury**.
-  (Used without word) Indicates a safety related message.
- NOTICE:** Indicates a practice **not related to personal injury** which, if not avoided, **may** result in **property damage**.



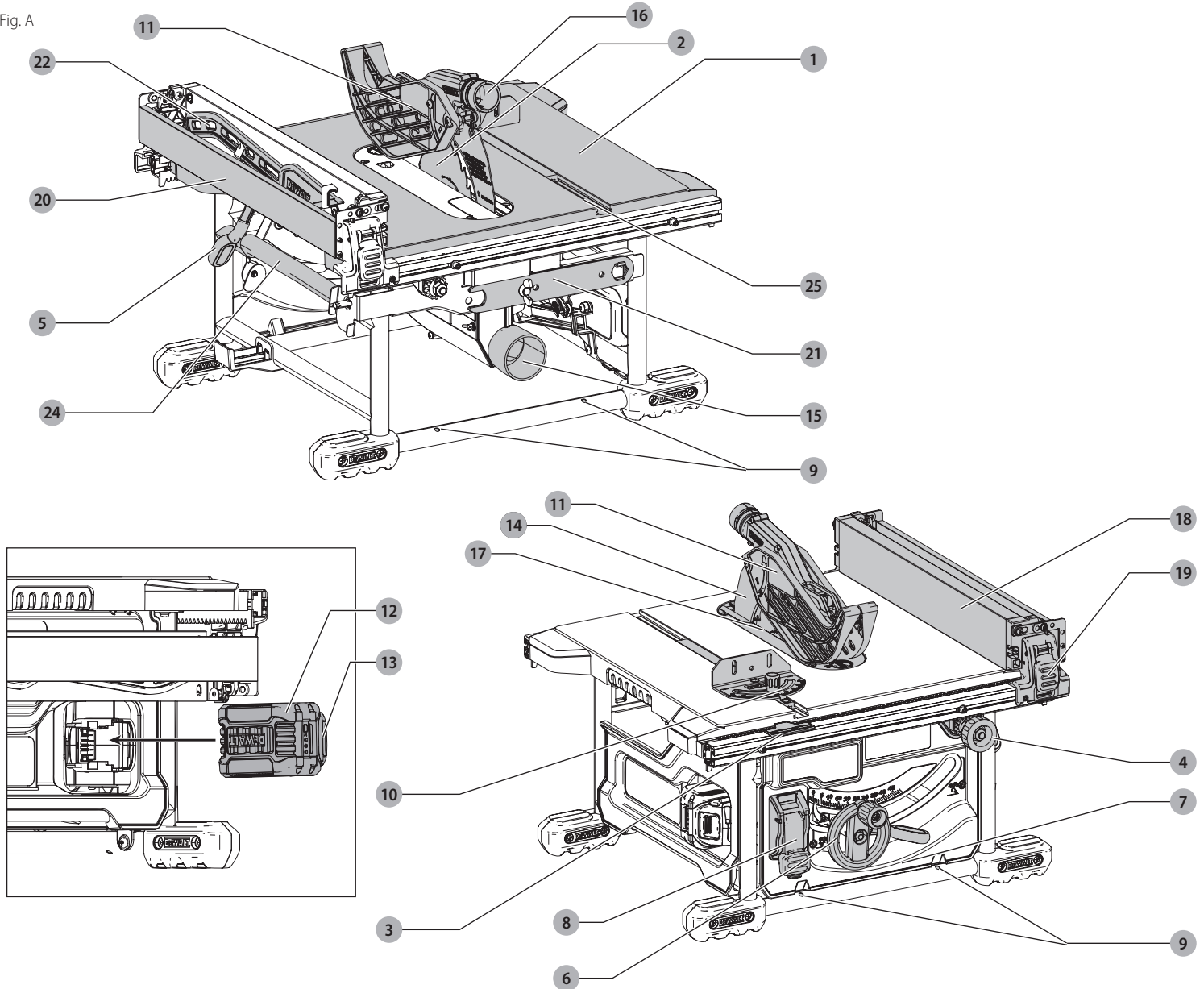

-  **WARNING! Read all safety warnings and all instructions.** Failure to follow the warnings and instructions may result in electric shock, fire and/or serious injury.
-  **WARNING:** To reduce the risk of injury, read the instruction manual.

Fig. A



- | | |
|--|--|
| <ul style="list-style-type: none"> 1 Table 2 Blade 3 Rip scale indicator 4 Fine adjust knob 5 Rail lock lever 6 Blade height adjustment wheel 7 Bevel lock lever 8 ON/OFF assembly 9 Mounting holes 10 Miter gauge 11 Blade guard assembly 12 Battery 13 Battery release button | <ul style="list-style-type: none"> 14 Anti-kickback assembly 15 Dust collection port 16 Guard dust collection port 17 Throat plate 18 Rip fence 19 Rip fence latch 20 Narrow ripping fence/support extension 21 Blade wrenches (stored position) 22 Push stick (stored position) 23 Riving knife (non-through-cutting) (Fig. G) 24 Carry handle 25 Miter gauge track |
|--|--|

GENERAL POWER TOOL SAFETY WARNINGS

 **WARNING!** Read all safety warnings, instructions, illustrations and specifications provided with this power tool. Failure to follow all instructions listed below may result in electric shock, fire and/or serious injury.

SAVE ALL WARNINGS AND INSTRUCTIONS FOR FUTURE REFERENCE

The term "power tool" in the warnings refers to your mains-operated (corded) power tool or battery-operated (cordless) power tool.

1) Work Area Safety

- Keep work area clean and well lit. Cluttered or dark areas invite accidents.
- Do not operate power tools in explosive atmospheres, such as in the presence of flammable liquids, gases or dust. Power tools create sparks which may ignite the dust or fumes.
- Keep children and bystanders away while operating a power tool. Distractions can cause you to lose control.

2) Electrical Safety

- Power tool plugs must match the outlet. Never modify the plug in any way. Do not use any adapter plugs with earthed (grounded) power tools. Unmodified plugs and matching outlets will reduce risk of electric shock.
- Avoid body contact with earthed or grounded surfaces such as pipes, radiators, ranges and refrigerators. There is an increased risk of electric shock if your body is earthed or grounded.
- Do not expose power tools to rain or wet conditions. Water entering a power tool will increase the risk of electric shock.
- Do not abuse the cord. Never use the cord for carrying, pulling or unplugging the power tool. Keep cord away from heat, oil, sharp edges or moving parts. Damaged or entangled cords increase the risk of electric shock.
- When operating a power tool outdoors, use an extension cord suitable for outdoor use. Use of a cord suitable for outdoor use reduces the risk of electric shock.
- If operating a power tool in a damp location is unavoidable, use a ground fault circuit interrupter (GFCI) protected supply. Use of a GFCI reduces the risk of electric shock.

3) Personal Safety

- Stay alert, watch what you are doing and use common sense when operating a power tool. Do not use a power tool while you are tired or under the influence of drugs, alcohol or medication. A moment of inattention while operating power tools may result in serious personal injury.
- Use personal protective equipment. Always wear eye protection. Protective equipment such as dust mask, non-skid safety shoes, hard hat, or hearing protection used for appropriate conditions will reduce personal injuries.
- Prevent unintentional starting. Ensure the switch is in the off position before connecting to power source and/or battery pack, picking up or carrying the tool. Carrying power tools with your finger on the switch or energizing power tools that have the switch on invites accidents.
- Remove any adjusting key or wrench before turning the power tool on. A wrench or a key left attached to a rotating part of the power tool may result in personal injury.
- Do not overreach. Keep proper footing and balance at all times. This enables better control of the power tool in unexpected situations.
- Dress properly. Do not wear loose clothing or jewelry. Keep your hair, clothing and gloves away from moving parts. Loose clothes, jewelry or long hair can be caught in moving parts.
- If devices are provided for the connection of dust extraction and collection facilities, ensure these are connected and properly used. Use of dust collection can reduce dust-related hazards.
- Do not let familiarity gained from frequent use of tools allow you to become complacent and ignore tool safety principles. A careless action can cause severe injury within a fraction of a second.

4) Power Tool Use and Care

- Do not force the power tool. Use the correct power tool for your application. The correct power tool will do the job better and safer at the rate for which it was designed.
- Do not use the power tool if the switch does not turn it on and off. Any power tool that cannot be controlled with the switch is dangerous and must be repaired.
- Disconnect the plug from the power source and/or the battery pack from the power tool before making any adjustments, changing accessories, or storing power tools. Such preventive safety measures reduce the risk of starting the power tool accidentally.
- Store idle power tools out of the reach of children and do not allow persons unfamiliar with the power tool or these instructions to operate the power tool. Power tools are dangerous in the hands of untrained users.
- Maintain power tools. Check for misalignment or binding of moving parts, breakage of parts and any other condition that may affect the power tool's operation. If damaged, have the power tool repaired before use. Many accidents are caused by poorly maintained power tools.

- Keep cutting tools sharp and clean. Properly maintained cutting tools with sharp cutting edges are less likely to bind and are easier to control.
- Use the power tool, accessories and tool bits, etc. in accordance with these instructions, taking into account the working conditions and the work to be performed. Use of the power tool for operations different from those intended could result in a hazardous situation.
- Keep handles and grasping surfaces dry, clean and free from oil and grease. Slippery handles and grasping surfaces do not allow for safe handling and control of the tool in unexpected situations.

5) Battery Tool Use and Care

- Recharge only with the charger specified by the manufacturer. A charger that is suitable for one type of battery pack may create a risk of fire when used with another battery pack.
- Use power tools only with specifically designated battery packs. Use of any other battery packs may create a risk of injury and fire.
- When battery pack is not in use, keep it away from other metal objects, like paper clips, coins, keys, nails, screws, or other small metal objects, that can make a connection from one terminal to another. Shorting the battery terminals together may cause burns or a fire.
- Under abusive conditions, liquid may be ejected from the battery; avoid contact. If contact accidentally occurs, flush with water. If liquid contacts eyes, additionally seek medical help. Liquid ejected from the battery may cause irritation or burns.
- Do not use a battery pack or tool that is damaged or modified. Damaged or modified batteries may exhibit unpredictable behavior resulting in fire, explosion or risk of injury.
- Do not expose a battery pack or tool to fire or excessive temperature. Exposure to fire or temperature above 265 °F (129 °C) may cause explosion.
- Follow all charging instructions and do not charge the battery pack or tool outside the temperature range specified in the instructions. Charging improperly or at temperatures outside the specified range may damage the battery and increase the risk of fire.

6) Service


- Have your power tool serviced by a qualified repair person using only identical replacement parts. This will ensure that the safety of the power tool is maintained.
- Never service damaged battery packs. Service of battery packs should only be performed by the manufacturer or authorized service providers.

Safety Instructions for Table Saws

1) Guarding Related Warnings

- Keep guards in place. Guards must be in working order and be properly mounted. A guard that is loose, damaged, or is not functioning correctly must be repaired or replaced.
- Always use saw blade guard, riving knife and anti-kickback device for every through-cutting operation. For through-cutting operations where the saw blade cuts completely through the thickness of the workpiece, the guard and other safety devices help reduce the risk of injury.
- Immediately reattach the guarding system after completing an operation (such as rabbeting, dadoing or resawing) which requires removal of the guard, riving knife and/or anti-kickback device. The guard, riving knife, and anti-kickback device help to reduce the risk of injury.
- Make sure the saw blade is not contacting the guard, riving knife or the workpiece before the switch is turned on. Inadvertent contact of these items with the saw blade could cause a hazardous condition.
- Adjust the riving knife as described in this instruction manual. Incorrect spacing, positioning and alignment can make the riving knife ineffective in reducing the likelihood of kickback.
- For the riving knife and anti-kickback device to work, they must be engaged in the workpiece. The riving knife and anti-kickback device are ineffective when cutting workpieces that are too short to be engaged with the riving knife and anti-kickback device. Under these conditions a kickback cannot be prevented by the riving knife and anti-kickback device.
- Use the appropriate saw blade for the riving knife. For the riving knife to function properly, the saw blade diameter must match the appropriate riving knife and the body of the saw blade must be thinner than the thickness of the riving knife and the cutting width of the saw blade must be wider than the thickness of the riving knife.

2) Cutting Procedures Warnings

-  **DANGER:** Never place your fingers or hands in the vicinity or in line with the saw blade. A moment of inattention or a slip could direct your hand towards the saw blade and result in serious personal injury.
- Feed the workpiece into the saw blade or cutter only against the direction of rotation. Feeding the workpiece in the same direction that the saw blade is rotating above the table may result in the workpiece, and your hand, being pulled into the saw blade.
- Never use the miter gauge to feed the workpiece when ripping and do not use the rip fence as a length stop when crosscutting with the miter gauge. Guiding the workpiece with the rip fence and the miter gauge at the same time increases the likelihood of saw blade binding and kickback.

- d) **When ripping, always apply the workpiece feeding force between the fence and the saw blade. Use a push stick when the distance between the fence and the saw blade is less than 150 mm, and use a push block when this distance is less than 50 mm.** "Work helping" devices will keep your hand at a safe distance from the saw blade.
 - e) **Use only the push stick provided by the manufacturer or constructed in accordance with the instructions.** This push stick provides sufficient distance of the hand from the saw blade.
 - f) **Never use a damaged or cut push stick.** A damaged push stick may break causing your hand to slip into the saw blade.
 - g) **Do not perform any operation "freehand". Always use either the rip fence or the miter gauge to position and guide the workpiece.** "Freehand" means using your hands to support or guide the workpiece, in lieu of a rip fence or miter gauge. Freehand sawing leads to misalignment, binding and kickback.
 - h) **Never reach around or over a rotating saw blade.** Reaching for a workpiece may lead to accidental contact with the moving saw blade.
 - i) **Provide auxiliary workpiece support to the rear and/or sides of the saw table for long and/or wide workpieces to keep them level.** A long and/or wide workpiece has a tendency to pivot on the table's edge, causing loss of control, saw blade binding and kickback.
 - j) **Feed workpiece at an even pace. Do not bend or twist the workpiece. If jamming occurs, turn the tool off immediately, unplug the tool then clear the jam.** Jamming the saw blade by the workpiece can cause kickback or stall the motor.
 - k) **Do not remove pieces of cut-off material while the saw is running.** The material may become trapped between the fence or inside the saw blade guard and the saw blade pulling your fingers into the saw blade. Turn the saw off and wait until the saw blade stops before removing material.
 - l) **Use an auxiliary fence in contact with the table top when ripping workpieces less than 2 mm thick.** A thin workpiece may wedge under the rip fence and create a kickback.
- c) **Locate the table saw in a well-lit and level area where you can maintain good footing and balance. It should be installed in an area that provides enough room to easily handle the size of your workpiece.** Cramped, dark areas, and uneven slippery floors invite accidents.
 - d) **Frequently clean and remove sawdust from under the saw table and/or the dust collection device.** Accumulated sawdust is combustible and may self-ignite.
 - e) **The table saw must be secured.** A table saw that is not properly secured may move or tip over.
 - f) **Remove tools, wood scraps, etc. from the table before the table saw is turned on.** Distraction or a potential jam can be dangerous.
 - g) **Always use saw blades with correct size and shape (diamond versus round) of arbor holes.** Saw blades that do not match the mounting hardware of the saw will run off-center, causing loss of control.
 - h) **Never use damaged or incorrect saw blade mounting means such as flanges, saw blade washers, bolts or nuts.** These mounting means were specially designed for your saw, for safe operation and optimum performance.
 - i) **Never stand on the table saw, do not use it as a stepping stool.** Serious injury could occur if the tool is tipped or if the cutting tool is accidentally contacted.
 - j) **Make sure that the saw blade is installed to rotate in the proper direction. Do not use grinding wheels, wire brushes, or abrasive wheels on a table saw.** Improper saw blade installation or use of accessories not recommended may cause serious injury.

Additional Safety Rules for Table Saws



WARNING: Cutting plastics, sap coated wood, and other materials may cause melted material to accumulate on the blade tips and the body of the saw blade, increasing the risk of blade overheating and binding while cutting.

- **AVOID AWKWARD POSITIONS**, where a sudden slip could cause a hand to move into a saw blade.
- Do not attempt to retrieve materials near the blade on the saw table while the blade is spinning.
- **NEVER REACH IN BACK OF, OR AROUND, THE CUTTING TOOL** with either hand to hold down the workpiece.
- **KEEP ARMS, HANDS AND FINGERS AWAY** from the blade to prevent serious injury.
- **USE A PUSH STICK THAT IS APPROPRIATE TO THE APPLICATION TO PUSH WORKPIECES THROUGH THE SAW.** A push stick is a wooden or plastic stick, often homemade, that should be used whenever the size or shape of the workpiece would cause you to place your hands within 6" (152 mm) of the blade.
- **USE HOLD-DOWNS, JIGS, FIXTURES OR FEATHER BOARDS TO HELP GUIDE AND CONTROL THE WORKPIECE.** Accessories for use with your tool are available at extra cost from your local dealer or authorized service center. Instructions for making a push stick, a narrow rip auxiliary fence, a push block and feather boards are included in this manual.
- **DO NOT PERFORM RIPPING, CROSSCUTTING OR ANY OTHER OPERATION FREEHAND.**
- **NEVER** reach around or over saw blade while the blade is spinning.
- **STABILITY.** Make sure the table saw is firmly mounted to a secure surface before use and does not move.
- **THE TABLE SAW SHOULD ONLY BE SET UP ON A LEVEL AND STABLE SURFACE.** The work area should be free from obstructions and trip hazards. No materials or tools should be leaned against the saw.
- **NEVER CUT METALS, CEMENT BOARD OR MASONRY.** Certain man-made materials have special instructions for cutting on table saws. Follow the manufacturer's recommendations at all times. Damage to the saw and personal injury may result.
- Do not install a diamond masonry blade and attempt to use the table saw as a wet saw.
- **THE PROPER THROAT PLATE MUST BE LOCKED IN PLACE AT ALL TIMES** to reduce the risk of a thrown workpiece and possible injury.
- **WEAR GLOVES WHEN HANDLING SAW BLADES.**
- **USE THE CORRECT SAW BLADE FOR THE INTENDED OPERATION.** The blade must rotate toward the front of the saw. Always tighten the blade arbor nut securely. Before use, inspect the blade for cracks or missing teeth. Do not use a damaged or dull blade.
- **NEVER ATTEMPT TO FREE A STALLED SAW BLADE WITHOUT FIRST TURNING THE MACHINE OFF AND REMOVING THE BATTERY PACK.** If a workpiece or cut-off piece becomes trapped inside the blade guard assembly, turn saw off and wait for blade to stop before lifting the blade guard assembly and removing the piece.
- **NEVER START THE MACHINE** with the workpiece against the blade to reduce the risk of a thrown workpiece and personal injury.
- **DO NOT HAVE ANY PART OF YOUR BODY IN LINE WITH THE BLADE.** Personal injury may occur. Stand to either side of the blade.
- **NEVER PERFORM LAYOUT, ASSEMBLY OR SET-UP WORK** on the table/work area when the machine is running. A sudden slip could cause a hand to move into the blade. Severe injury can result.
- **NEVER PERFORM ANY ADJUSTMENTS WHILE THE SAW IS RUNNING** such as fence repositioning or removal, bevel lock adjustment, or blade height adjustment.
- **CLEAN THE TABLE/WORK AREA BEFORE LEAVING THE MACHINE.** Lock the switch in the "OFF" position and remove the battery pack to prevent unauthorized use.
- **ALWAYS** lock the fence and bevel adjustment before cutting.

3) Kickback Causes and Related Warnings

Kickback is a sudden reaction of the workpiece due to a pinched, jammed saw blade or misaligned line of cut in the workpiece with respect to the saw blade or when a part of the workpiece binds between the saw blade and the rip fence or other fixed object.

Most frequently during kickback, the workpiece is lifted from the table by the rear portion of the saw blade and is propelled towards the operator.

Kickback is the result of saw misuse and/or incorrect operating procedures or conditions and can be avoided by taking proper precautions as given below.

- a) **Never stand directly in line with the saw blade. Always position your body on the same side of the saw blade as the fence.** Kickback may propel the workpiece at high velocity towards anyone standing in front and in line with the saw blade.
- b) **Never reach over or in back of the saw blade to pull or to support the workpiece.** Accidental contact with the saw blade may occur or kickback may drag your fingers into the saw blade.
- c) **Never hold and press the workpiece that is being cut off against the rotating saw blade.** Pressing the workpiece being cut off against the saw blade will create a binding condition and kickback.
- d) **Align the fence to be parallel with the saw blade.** A misaligned fence will pinch the workpiece against the saw blade and create kickback.
- e) **Use a featherboard to guide the workpiece against the table and fence when making non-through cuts such as rabbeting, dadoing or resawing.** A featherboard helps to control the workpiece in the event of a kickback.
- f) **Use extra caution when making a cut into blind areas of assembled workpieces.** The protruding saw blade may cut objects that can cause kickback.
- g) **Support large panels to minimise the risk of saw blade pinching and kickback.** Large panels tend to sag under their own weight. Support(s) must be placed under all portions of the panel overhanging the table top.
- h) **Use extra caution when cutting a workpiece that is twisted, knotted, warped or does not have a straight edge to guide it with a miter gauge or along the fence.** A warped, knotted, or twisted workpiece is unstable and causes misalignment of the kerf with the saw blade, binding and kickback.
- i) **Never cut more than one workpiece, stacked vertically or horizontally.** The saw blade could pick up one or more pieces and cause kickback.
- j) **When restarting the saw with the saw blade in the workpiece, center the saw blade in the kerf so that the saw teeth are not engaged in the material.** If the saw blade binds, it may lift up the workpiece and cause kickback when the saw is restarted.
- k) **Keep saw blades clean, sharp, and with sufficient set. Never use warped saw blades or saw blades with cracked or broken teeth.** Sharp and properly set saw blades minimise binding, stalling and kickback.

4) Table Saw Operating Procedure Warnings

- a) **Turn off the table saw and disconnect the battery pack when removing the table insert, changing the saw blade or making adjustments to the riving knife, anti-kickback pawls or saw blade guard, and when the machine is left unattended.** Precautionary measures will avoid accidents.
- b) **Never leave the table saw running unattended. Turn it off and don't leave the tool until it comes to a complete stop.** An unattended running saw is an uncontrolled hazard.

- **AVOID OVERHEATING THE SAW BLADE TIPS.** Keep material moving and parallel with the fence. Do not force work into the blade.
- **IF CUTTING PLASTIC MATERIALS, AVOID MELTING THE PLASTIC.**
- **DO NOT leave a long board (or other workpiece) unsupported so the spring of the board causes it to shift on the table resulting in loss of control and possible injury.** Provide proper support for the workpiece, based on its size and the type of operation to be performed. Hold the work firmly against the fence and down against the table surface.
- **If this saw makes an unfamiliar noise or if it vibrates excessively, cease operating immediately, turn unit off and remove the battery pack until the problem has been located and corrected.** Contact a DeWALT factory service center, a DeWALT authorized service center or other qualified service personnel if the problem can not be found.
- **DO NOT OPERATE THIS MACHINE** until it is completely assembled and installed according to the instructions. A machine incorrectly assembled can cause serious injury.
- **NEVER attempt to cut a stack of loose pieces of material which could cause loss of control or kickback.** Support all materials securely.
- **NEVER USE FOR TAPERED CUTTING.**
- **DO NOT STORE THIS TOOL WITH THE BATTERY INSTALLED.** Think through all scenarios to ensure that the saw is never turned on accidentally.
- **DO NOT TRANSPORT THIS TOOL WITH THE BATTERY INSTALLED.**
- **ADDITIONAL INFORMATION** regarding the safe and proper operation of power tools (i.e., a safety video) is available from the Power Tool Institute, 1300 Summer Avenue, Cleveland, OH 44115-2851 (www.powertoolinstitute.com). Information is also available from the National Safety Council, 1121 Spring Lake Drive, Itasca, IL 60143-3201. Please refer to the U.S. Department of Labor OSHA 1910.213 Regulations.

WARNING: ALWAYS use safety glasses. Everyday eyeglasses are NOT safety glasses. Also use face or dust mask if cutting operation is dusty. ALWAYS WEAR CERTIFIED SAFETY EQUIPMENT:

- ANSI Z87.1 eye protection (CAN/CSA Z94.3),
- ANSI S12.6 (S3.19) hearing protection,
- NIOSH/OSHA/MSHA respiratory protection.

WARNING: Some dust created by power sanding, sawing, grinding, drilling, and other construction activities contains chemicals known to the State of California to cause cancer, birth defects or other reproductive harm. Some examples of these chemicals are:

- lead from lead-based paints,
- crystalline silica from bricks and cement and other masonry products, and
- arsenic and chromium from chemically-treated lumber.

Your risk from these exposures varies, depending on how often you do this type of work. To reduce your exposure to these chemicals: work in a well ventilated area, and work with approved safety equipment, such as those dust masks that are specially designed to filter out microscopic particles.

- **Avoid prolonged contact with dust from power sanding, sawing, grinding, drilling, and other construction activities. Wear protective clothing and wash exposed areas with soap and water.** Allowing dust to get into your mouth, eyes, or lay on the skin may promote absorption of harmful chemicals.

WARNING: Use of this tool can generate and/or disperse dust, which may cause serious and permanent respiratory or other injury. Always use NIOSH/OSHA approved respiratory protection appropriate for the dust exposure. Direct particles away from face and body.

NOTICE: Under certain conditions of use, such as extended operation in low-humidity conditions, or cutting certain materials such as vinyl trim, static charges may build up on the metal portions of the saw. Touching the metal parts will discharge this static build up and may result in a short, mild, but harmless electrical shock. However, if you are concerned about this, you may bring the saw into a DeWALT service center for a free inspection to assure that there is no electrical malfunction of the saw.

The label on your tool may include the following symbols. The symbols and their definitions are as follows:

V.....volts	W.....watts
Hz.....hertz	~ or AC.....alternating current
min.....minutes	⎓ or AC/DC.....alternating or direct current
== or DC.....direct current	□.....Class II Construction (double insulated)
Ⓜ.....Class I Construction (grounded)	no.....no load speed
.../min.....per minute	n.....rated speed
BPM.....beats per minute	⊕.....earthing terminal
IPM.....impacts per minute	⚠.....safety alert symbol
RPM.....revolutions per minute	☠.....visible radiation
sfpm.....surface feet per minute	☑.....wear respiratory protection
SPM.....strokes per minute	☑.....wear eye protection
A.....amperes	☑.....wear hearing protection

BATTERIES AND CHARGERS

The battery pack is not fully charged out of the carton. Before using the battery pack and charger, read the safety instructions below and then follow charging procedures outlined. When ordering replacement battery packs, be sure to include the catalog number and voltage.

Your tool uses a DeWALT charger. Be sure to read all safety instructions before using your charger. Consult the chart at the end of this manual for compatibility of chargers and battery packs.

READ ALL INSTRUCTIONS

Important Safety Instructions for All Battery Packs

WARNING: Read all safety warnings and all instructions for the battery pack, charger and power tool. Failure to follow the warnings and instructions may result in electric shock, fire and/or serious injury.

- **Do not charge or use the battery pack in explosive atmospheres, such as in the presence of flammable liquids, gases or dust.** Inserting or removing the battery pack from the charger may ignite the dust or fumes.
- **NEVER force the battery pack into the charger. DO NOT modify the battery pack in any way to fit into a non-compatible charger as battery pack may rupture causing serious personal injury.** Consult the chart at the end of this manual for compatibility of batteries and chargers.
- Charge the battery packs only in designated DeWALT chargers.
- **DO NOT splash or immerse in water or other liquids.**
- **Do not store or use the tool and battery pack in locations where the temperature may reach or exceed 104 °F (40 °C) (such as outside sheds or metal buildings in summer).** For best life store battery packs in a cool, dry location.
- **NOTE: Do not store the battery packs in a tool with the trigger switch locked on. Never tape the trigger switch in the ON position.**
- **Do not expose battery pack or tool/appliance to fire or excessive temperature.** Exposure to fire or temperature above 265°F (130°C) may cause explosion.
- **Do not incinerate the battery pack even if it is severely damaged or is completely worn out.** The battery pack can explode in a fire. Toxic fumes and materials are created when lithium ion battery packs are burned.
- **If battery contents come into contact with the skin, immediately wash area with mild soap and water.** If battery liquid gets into the eye, rinse water over the open eye for 15 minutes or until irritation ceases. If medical attention is needed, the battery electrolyte is composed of a mixture of liquid organic carbonates and lithium salts.
- **Contents of opened battery cells may cause respiratory irritation.** Provide fresh air. If symptoms persist, seek medical attention.

WARNING: Burn hazard. Battery liquid may be flammable if exposed to spark or flame.

WARNING: Fire hazard. Never attempt to open the battery pack for any reason. If the battery pack case is cracked or damaged, do not insert into the charger. Do not crush, drop or damage the battery pack. Do not use a battery pack or charger that has received a sharp blow, been dropped, run over or damaged in any way (e.g., pierced with a nail, hit with a hammer, stepped on). Damaged battery packs should be returned to the service center for recycling.

Transportation

WARNING: Fire hazard. Do not store or carry the battery pack so that metal objects can contact exposed battery terminals. For example, do not place the battery pack in aprons, pockets, tool boxes, product kit boxes, drawers, etc., with loose nails, screws, keys, etc. Transporting batteries can possibly cause fires if the battery terminals inadvertently come in contact with conductive materials such as keys, coins, hand tools and the like. The US Department of Transportation Hazardous Material Regulations (HMR) actually prohibit transporting batteries in commerce or on airplanes in carry-on baggage UNLESS they are properly protected from short circuits. So when transporting individual battery packs, make sure that the battery terminals are protected and well insulated from materials that could contact them and cause a short circuit. NOTE: Lithium-ion batteries should not be put in checked baggage.

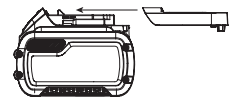
Shipping the DeWALT FLEXVOLT™ Battery

The DeWALT FLEXVOLT™ battery has two modes: **Use** and **Shipping**.

Use Mode: When the FLEXVOLT™ battery stands alone or is in a DeWALT 20V Max* product, it will operate as a 20V Max* battery. When the FLEXVOLT™ battery is in a 60V Max* or a 120V Max* (two 60V Max* batteries) product, it will operate as a 60V Max* battery.

Shipping Mode: When the cap is attached to the FLEXVOLT™ battery, the battery is in Shipping Mode. Strings of cells are electrically disconnected within the pack resulting in three batteries with a lower watt hour (Wh) rating as compared to one battery with a higher Watt hour rating. This increased quantity of three batteries with the lower watt hour rating can exempt the pack from certain shipping regulations that are imposed upon the higher Watt hour batteries.

The battery label indicates two Watt Hour Ratings (see example). Depending on how the battery is shipped, the appropriate Whr rating must be used to determine the applicable shipping requirements. If utilizing the shipping cap, the pack will be considered 3 batteries at the Whr indicated for "Shipping". If shipping without the cap or in a tool, the pack will be considered one battery at the Watt hour rating indicated next to "Use".



example of Use and Shipping label marking

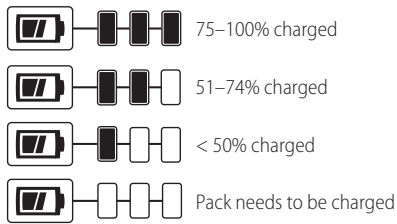
USE: 120 Wh Shipping: 3 x 40 Wh

Transport Wh rating indicates 3 x 40 Wh, meaning 3 batteries of 40 Watt hours each. The Use Wh rating indicates 120 Watt hour (1 battery implied).

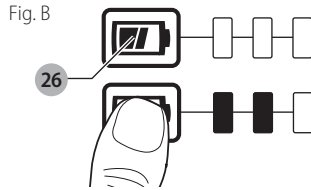
Fuel Gauge Battery Packs (Fig. B)

Some DeWALT battery packs include a fuel gauge which consists of three green LED lights that indicate the level of charge remaining in the battery pack.

The fuel gauge is an indication of approximate levels of charge remaining in the battery pack according to the following indicators:



To actuate the fuel gauge, press and hold the fuel gauge button **26**. A combination of the three green LED lights will illuminate designating the level of charge left. When the level of charge in the battery is below the usable limit, the fuel gauge will not illuminate and the battery will need to be recharged.



NOTE: The fuel gauge is only an indication of the charge left on the battery pack. It does not indicate tool functionality and is subject to variation based on product components, temperature and end-user application.

For more information regarding fuel gauge battery packs, please contact call 1-800-4-DeWALT (1-800-433-9258) or visit our website www.dewalt.com.

The RBRC® Seal

The RBRC® (Rechargeable Battery Recycling Corporation) Seal on the nickel cadmium, nickel metal hydride or lithium-ion batteries (or battery packs) indicates that the costs to recycle these batteries (or battery packs) at the end of their useful life have already been paid by DeWALT. In some areas, it is illegal to place spent nickel cadmium, nickel metal hydride or lithium-ion batteries in the trash or municipal solid waste stream and the Call 2 Recycle® program provides an environmentally conscious alternative.



Call 2 Recycle, Inc., in cooperation with DeWALT and other battery users, has established the program in the United States and Canada to facilitate the collection of spent nickel cadmium, nickel metal hydride or lithium-ion batteries. Help protect our environment and conserve natural resources by returning the spent nickel cadmium, nickel metal hydride or lithium-ion batteries to an authorized DeWALT service center or to your local retailer for recycling. You may also contact your local recycling center for information on where to drop off the spent battery. RBRC® is a registered trademark of Call 2 Recycle, Inc.

RBRC™ is a registered trademark of the Rechargeable Battery Recycling Corporation.

Important Safety Instructions for All Battery Chargers

WARNING: Read all safety warnings and all instructions for the battery pack, charger and power tool. Failure to follow the warnings and instructions may result in electric shock, fire and/or serious injury.

- **DO NOT attempt to charge the battery pack with any chargers other than the ones in this manual.** The charger and battery pack are specifically designed to work together.
- **These chargers are not intended for any uses other than charging DeWALT rechargeable batteries.** Any other uses may result in risk of fire, electric shock or electrocution.
- **Do not expose the charger to rain or snow.**
- **Pull by the plug rather than the cord when disconnecting the charger.** This will reduce the risk of damage to the electric plug and cord.
- **Make sure that the cord is located so that it will not be stepped on, tripped over or otherwise subjected to damage or stress.**
- **Do not use an extension cord unless it is absolutely necessary.** Use of improper extension cord could result in risk of fire, electric shock or electrocution.
- **When operating a charger outdoors, always provide a dry location and use an extension cord suitable for outdoor use.** Use of a cord suitable for outdoor use reduces the risk of electric shock.
- **An extension cord must have adequate wire size (AWG or American Wire Gauge) for safety.** The smaller the gauge number of the wire, the greater the capacity of the cable, that is, 16 gauge has more capacity than 18 gauge. An undersized cord will cause a drop in line voltage resulting in loss of power and overheating. When using more than one extension to make up the total length, be sure each individual extension contains at least the minimum wire size. The following table shows the correct size to use depending on cord length and nameplate ampere rating. In if in doubt, use the next heavier gauge. The lower the gauge number, the heavier the cord.

Minimum Gauge for Cord Sets

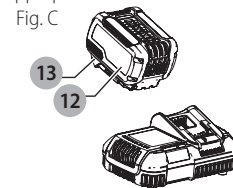
Volts	Total Length of Cord in Feet (meters)					
	120 V	25 (7.6)	50 (15.2)	100 (30.5)	150 (45.7)	
240 V	50 (15.2)	100 (30.5)	200 (61.0)	300 (91.4)		
Ampere Rating		American Wire Gauge				
More Than	Not More Than					
0	6	18	16	16	14	
6	10	18	16	14	12	
10	12	16	16	14	12	
12	16	14	12	Not Recommended		

- **Do not place any object on top of the charger or place the charger on a soft surface that might block the ventilation slots and result in excessive internal heat.** Place the charger in a position away from any heat source. The charger is ventilated through slots in the top and the bottom of the housing.
- **Do not operate the charger with a damaged cord or plug.**
- **Do not operate the charger if it has received a sharp blow, been dropped or otherwise damaged in any way.** Take it to an authorized service center.
- **Do not disassemble the charger; take it to an authorized service center when service or repair is required.** Incorrect reassembly may result in a risk of electric shock, electrocution or fire.
- **Disconnect the charger from the outlet before attempting any cleaning.** This will reduce the risk of electric shock. Removing the battery pack will not reduce this risk.
- **NEVER attempt to connect 2 chargers together.**
- **The charger is designed to operate on standard 120V household electrical power. Do not attempt to use it on any other voltage.** This does not apply to the vehicular charger.

- ⚠ **WARNING:** Shock hazard. Do not allow any liquid to get inside the charger. Electric shock may result.
 - ⚠ **WARNING:** Burn hazard. Do not submerge the battery pack in any liquid or allow any liquid to enter the battery pack. Never attempt to open the battery pack for any reason. If the plastic housing of the battery pack breaks or cracks, return to a service center for recycling.
 - ⚠ **CAUTION:** Burn hazard. To reduce the risk of injury, charge only DeWALT rechargeable battery packs. Other types of batteries may overheat and burst resulting in personal injury and property damage.
 - ⚠ **CAUTION:** When battery pack in not in use, keep it away from other metal objects like paper clips, coins, keys, nails, screws, or other small metal objects that can make a connection to one terminal to another. Shorting the battery terminals together may cause burns or fire.
- NOTICE:** Under certain conditions, with the charger plugged into the power supply, the charger can be shorted by foreign material. Foreign materials of a conductive nature, such as, but not limited to, grinding dust, metal chips, steel wool, aluminum foil or any buildup of metallic particles should be kept away from the charger cavities. Always unplug the charger from the power supply when there is no battery pack in the cavity. Unplug the charger before attempting to clean.

Charging a Battery (Fig. C)

1. Plug the charger into an appropriate outlet before inserting battery pack.



2. Insert the battery pack **12** into the charger, making sure the battery pack is fully seated in the charger. The red (charging) light will blink continuously indicating that the charging process has started.
3. The completion of charge will be indicated by the red light remaining ON continuously. The battery pack is fully charged and may be used at this time or left in the charger. To remove the battery pack from the charger, push the battery release button **13** on the battery pack.

NOTE: To ensure maximum performance and life of lithium-ion battery packs, charge the battery pack fully before first use.

Charger Operation

Refer to the indicators below for the charge status of the battery pack.



*DCB107, DCB112, DCB113, DCB115, DCB118: The red light will continue to blink, but a yellow indicator light will be illuminated during this operation. Once the battery pack has

reached an appropriate temperature, the yellow light will turn off and the charger will resume the charging procedure.

The compatible charger(s) will not charge a faulty battery pack. The charger will indicate faulty battery pack by refusing to light or by displaying a problem pack or charger blink pattern.

NOTE: This could also mean a problem with a charger.

If the charger indicates a problem, take the charger and battery pack to be tested at an authorized service center.

Hot/Cold Pack Delay

When the charger detects a battery pack that is too hot or too cold, it automatically starts a Hot/Cold Pack Delay, suspending charging until the battery pack has reached an appropriate temperature. The charger then automatically switches to the pack charging mode. This feature ensures maximum battery pack life.

A cold battery pack will charge at a slower rate than a warm battery pack. The battery pack will charge at that slower rate throughout the entire charging cycle and will not return to maximum charge rate even if the battery pack warms.

The DCB118 charger is equipped with an internal fan designed to cool the battery pack. The fan will turn on automatically when the battery pack needs to be cooled.

Never operate the charger if the fan does not operate properly or if ventilation slots are blocked. Do not permit foreign objects to enter the interior of the charger.

Electronic Protection System

Li-Ion tools are designed with an Electronic Protection System that will protect the battery pack against overloading, overheating or deep discharge.

The tool will automatically turn off if the Electronic Protection System engages. If this occurs, place the lithium-ion battery pack on the charger until it is fully charged.

Wall Mounting

DCB107, DCB112, DCB113, DCB115, DCB118

These chargers are designed to be wall mountable or to sit upright on a table or work surface. If wall mounting, locate the charger within reach of an electrical outlet, and away from a corner or other obstructions which may impede air flow. Use the back of the charger as a template for the location of the mounting screws on the wall. Mount the charger securely using drywall screws (purchased separately) at least 1" (25.4 mm) long, with a screw head diameter of 0.28–0.35" (7–9 mm), screwed into wood to an optimal depth leaving approximately 7/32" (5.5 mm) of the screw exposed. Align the slots on the back of the charger with the exposed screws and fully engage them in the slots.

Charger Cleaning Instructions

WARNING: Shock hazard. Disconnect the charger from the AC outlet before cleaning. Dirt and grease may be removed from the exterior of the charger using a cloth or soft non-metallic brush. Do not use water or any cleaning solutions.

Important Charging Notes

1. Longest life and best performance can be obtained if the battery pack is charged when the air temperature is between 65 °F and 75 °F (18 °–24 °C). DO NOT charge the battery pack in an air temperature below +40 °F (+4.5 °C), or above +104 °F (+40 °C). This is important and will prevent serious damage to the battery pack.
2. The charger and battery pack may become warm to the touch while charging. This is a normal condition, and does not indicate a problem. To facilitate the cooling of the battery pack after use, avoid placing the charger or battery pack in a warm environment such as in a metal shed or an uninsulated trailer.
3. If the battery pack does not charge properly:
 - a. Check operation of receptacle by plugging in a lamp or other appliance;
 - b. Check to see if receptacle is connected to a light switch which turns power off when you turn out the lights;
 - c. Move the charger and battery pack to a location where the surrounding air temperature is approximately 65 °F – 75 °F (18 °–24 °C);
 - d. If charging problems persist, take the tool, battery pack and charger to your local service center.
4. The battery pack should be recharged when it fails to produce sufficient power on jobs which were easily done previously. DO NOT CONTINUE to use under these conditions. Follow the charging procedure. You may also charge a partially used pack whenever you desire with no adverse effect on the battery pack.
5. Foreign materials of a conductive nature such as, but not limited to, grinding dust, metal chips, steel wool, aluminum foil, or any buildup of metallic particles should be kept away from charger cavities. Always unplug the charger from the power supply when there is no battery pack in the cavity. Unplug the charger before attempting to clean.
6. Do not freeze or immerse the charger in water or any other liquid.

Storage Recommendations

1. The best storage place is one that is cool and dry, away from direct sunlight and excess heat or cold.
2. For long storage, it is recommended to store a fully charged battery pack in a cool dry place out of the charger for optimal results.

NOTE: Battery packs should not be stored completely depleted of charge. The battery pack will need to be recharged before use.

SAVE THESE INSTRUCTIONS FOR FUTURE USE

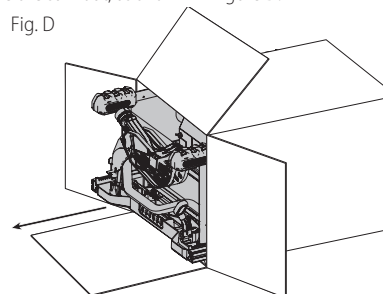
Specifications

Table Size	19 X 19" (485 x 485 mm)
Miter Angle	30° left and right
Bevel Angle	-2° to 47° left
Blade Size	8-1/4" (210 mm)
Max. Cut Depth, 0° Bevel	2-9/16" (65 mm)
Max. Cut Depth, 45° Bevel	1-3/4" (45 mm)
RPM, no load	5800

Unpacking (Fig. D)

WARNING: To reduce the risk of injury, **DO NOT** install the battery pack until the table saw is completely assembled and you have read the entire instruction manual.

Open the box and slide the saw out, as shown in Figure D.



Carefully unpack the table saw and all loose items from the carton. Examine all parts to make sure that parts have not been damaged during shipping. If any parts are missing or damaged, contact your dealer to replace them before attempting to assemble the tool.

COMPONENTS (FIG. A)

WARNING: Never modify the power tool or any part of it. Damage or personal injury could result.

Refer to Figure A at the beginning of this manual for a complete list of components.

INTENDED USE

This table saw is intended for use by construction professionals for use in ripping, crosscutting, mitering, beveling and non-through-cutting applications in wood, plastic, and other soft materials.

DO NOT use for cutting metal, cement board, or masonry.

DO NOT use dado or shaping cutter heads on this saw.

DO NOT use under wet conditions or in presence of flammable liquids or gases.

DO NOT let children come into contact with the tool. Supervision is required when inexperienced operators use this tool.

ASSEMBLY

WARNING: Shock Hazard. To reduce the risk of serious personal injury, turn unit off and disconnect the battery pack before attempting to move it, change accessories or make any adjustments. An accidental start-up can cause injury.

Assembly Order (Fig. A)

1. Unlock and remove the throat plate **17**. Refer to: **Removing the Throat Plate** section.
2. Make sure blade is installed correctly and arbor nut is tight. Use wrenches **21** stored on the tool. Refer to Figure A.
3. Position the blade guard assembly **11**.
4. Attach anti-kickback assembly **14** to the guard assembly.
5. Install and lock throat plate **17**. (**NOTE:** Adjust leveling screws before proceeding. Refer to **Installing the Throat Plate**.)
6. Attach the rip fence **18**. (**NOTE:** Adjust rip scale before proceeding. Refer to **Adjusting the Rip Scale**.)

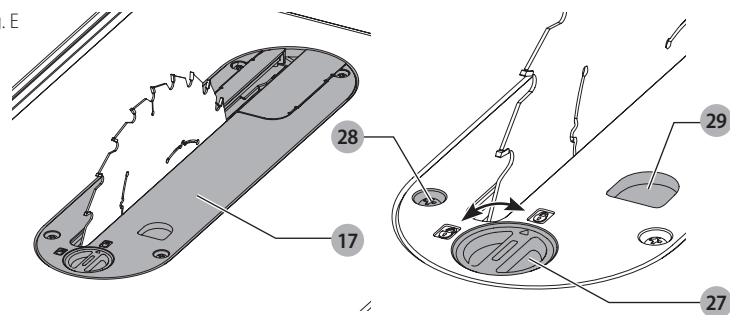
NOTE: To attach this table saw to a stand, please follow the instructions included with the stand assembly.

Installing the Throat Plate (Fig. E)

1. Align the throat plate **17** as shown in Figure E, and insert the tabs on the back of the throat plate into the holes on the back of the table opening.
2. Rotate cam counterclockwise until the front of throat plate drops into place. Secure by rotating cam lock knob **27** clockwise 1/4 turn (when cam lock is under the table holding the throat plate in place).
3. The throat plate includes four adjustment screws **28** which raise or lower the throat plate. When properly adjusted, the front of the throat plate should be flush or slightly below the

surface of the table top and secured in place. The rear of the throat plate should be flush or slightly above the table top.

Fig. E



Removing the Throat Plate

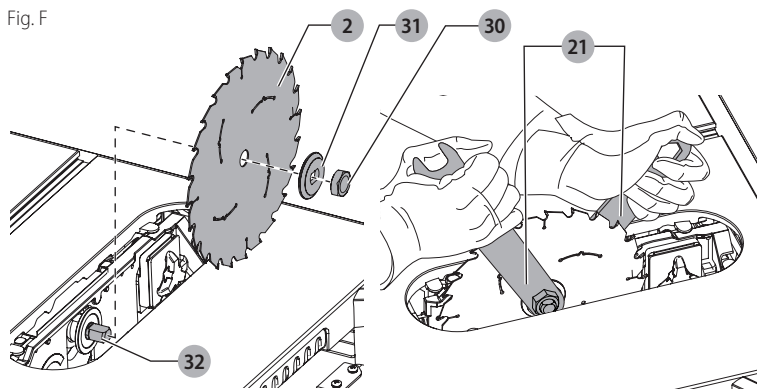
1. Remove the throat plate **17** by turning the cam lock knob **27** 1/4 turn counterclockwise.
2. Using finger hole **29** on the plate, pull throat plate up and forward to expose the inside of the saw. **DO NOT** operate the saw without the throat plate.

WARNING: To reduce the risk of serious personal injury, the throat plate must be locked in place at all times.

Installing/Replacing the Blade (Fig. A, E, F)

1. Raise the saw blade arbor to its maximum height by turning the blade height adjustment wheel **6** clockwise.
2. Remove the throat plate **17**.
3. Remove the arbor nut **30** and clamp washer **31** from the saw arbor by turning counterclockwise.

Fig. F



4. Place the saw blade on to the arbor **32** making sure the teeth of the blade **2** point down at the front of the table. Assemble the clamp washer **31** and arbor nut to the arbor and tighten arbor nut **30** as far as possible by hand, making sure that the saw blade is against the inner flange and the clamp washer is against the blade. Ensure the largest diameter of the clamp washer is against the blade. Ensure the arbor and clamp washer are free from dust and debris.
5. Use the open end of the wrench **21** to keep the arbor from rotating when tightening the arbor nut.
6. Using the other wrench, tighten the arbor nut **30** by turning it clockwise.
7. **NOTE:** Different types of blades make different kerfs (width of cuts). Therefore, it is necessary to check adjustment of rip scale when changing blades. Replacement blade **MUST** not exceed the thickness stated on the riving knife. The riving knife provided with the saw is 0.087" (1.6 mm) thick.

Installing/Removing the Blade Guard Assembly and Riving Knife (Fig. G)

WARNING: Use blade guard assembly for all thru-sawing.

NOTE: The saw is shipped with the non-through-cutting riving knife installed.

1. Raise the saw blade arbor to its maximum height.
2. Loosen the riving knife lock knob **33** (minimum of three turns).
3. To disengage riving knife lock pin, push lock knob toward the riving knife as indicated by the yellow arrows on the knob.
4. While pushing the lock knob, lift the riving knife out of the clamp. Then slide the blade guard assembly into the clamp until it bottoms out.

WARNING: Do not insert both blade guard assembly and riving knife into the clamp at the same time.

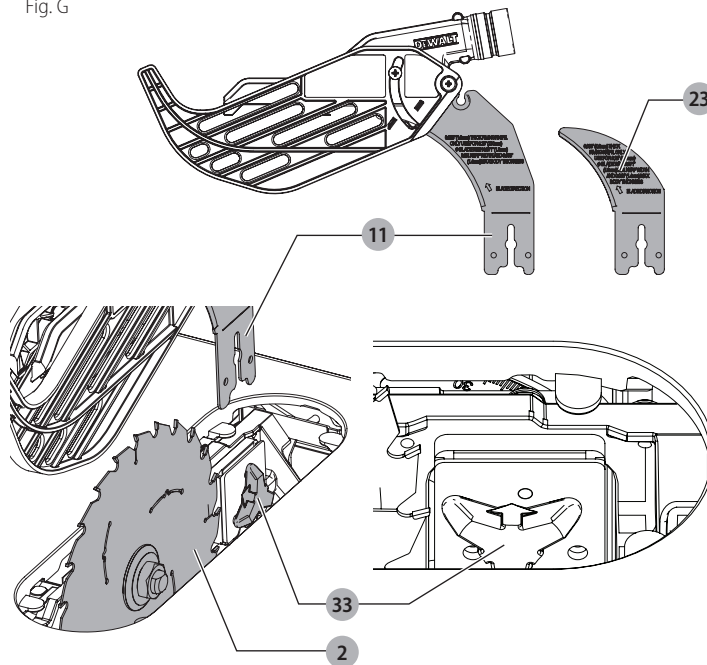
5. Release the lock knob to engage the lock pin. Give the blade guard a slight pull upwards to ensure pin is engaged.
6. Tighten the riving knife lock knob.

7. Reinstall the throat plate.

8. To remove the bladed guard assembly, follow these steps in reverse order.

NOTE: Follow the same steps above for riving knife installation.

Fig. G



WARNING: Before inserting the blade into the table saw or operating the saw, always inspect the blade guard assembly and riving knife for proper alignment and clearance with saw blade. Check alignment after each change of bevel angle.

NOTE: DO NOT operate saw if riving knife lock pin is not locked into the blade guard or riving knife.

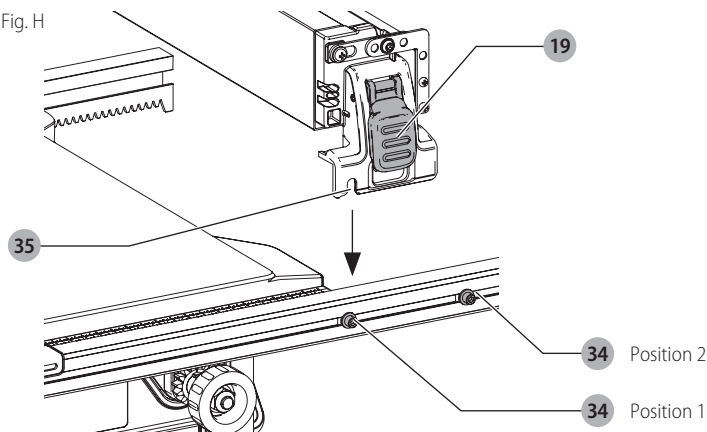
When properly aligned, the riving knife will be in line with the blade at both table top level, and at the top of the blade. Using a straight edge, ensure that the blade **2** is aligned with the riving knife **23**. Operate the blade tilt and height adjustments through the extremes of travel and ensure the blade guard assembly clears the blade in all operations and that the anti-kickback assembly is functioning.

Assembling the Rip Fence (Fig. H)

The rip fence can be installed in two positions on the right (position 1 for 0" to 20" ripping, and position 2 for 4" to 24" ripping) and one position on the left of your table saw.

1. Align the locator pins **34** on the fence rails with the slots **35** on each fence end.
2. Place fence onto the rail as shown in Figure H maintaining pin and slot alignment on both ends of the fence.
3. Secure the rip fence by snapping down the latches **19** to the rails. Be sure to snap both front and rear latches in place.

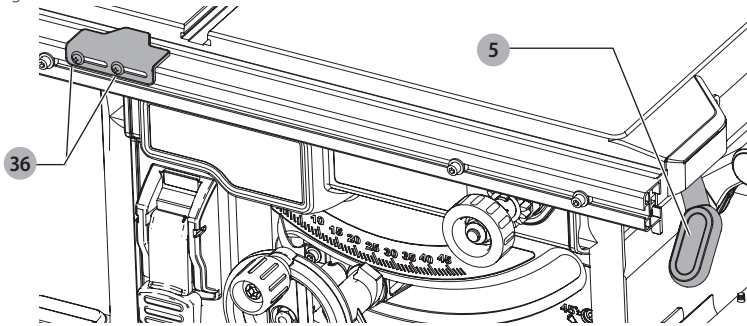
Fig. H



Adjusting the Rip Scale (Fig. I)

1. Unlock the rail lock lever **5**.
2. Set the blade at 0° bevel and move the fence in until it touches the blade.
3. Lock the rail lock lever.
4. Loosen the rip scale indicator screws **36** and set the rip scale indicator to read zero (0). Retighten the rip scale indicator screws. The yellow rip scale (top) reads correctly only when the fence is mounted on the right side of the blade and is in position 1 (for 0 to 20" ripping) [not the 24" rip position]. The white scale (bottom) reads correctly only when the fence is mounted on the right side of the blade and in position 2 (for 4" to 24" ripping). A metric scale is available at an additional cost, refer to **Accessories** for details.

Fig. I



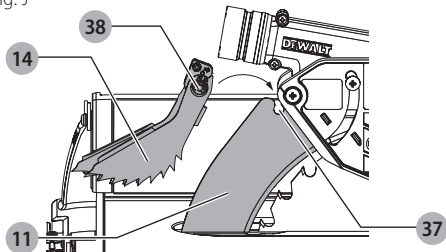
Anti-Kickback Assembly (Fig. J)

WARNING: To reduce the risk of serious personal injury, the anti-kickback assembly must be in place for all possible cuts.

1. Remove the anti-kickback assembly 14 from the storage position by depressing the stem. Refer to **Storage**.
2. Locate the anti-kickback mounting slot 37 at the top rear of the blade guard assembly 11.
3. Align the stem 38 with the mounting slot. Depress the stem and push down on the anti-kickback assembly 14 until it snaps and locks into place.
4. To remove the anti-kickback assembly, depress the stem and pull up and out of the mounting slot.

With battery removed, operate the blade tilt and height adjustments through the extremes of travel and ensure the blade guard assembly clears the blade in all operations and that the anti-kickback assembly is functioning.

Fig. J



Bench Mounting (Fig. A)

NOTE: A portable table saw stand is designed for use with this saw and is available at a local DEWALT dealer or service center at extra cost.

WARNING: To reduce the risk of serious personal injury, turn unit off and remove the battery pack before making any adjustments or removing/installing attachments or accessories. An accidental start-up can cause injury.

WARNING: To reduce the risk of injury, the saw must be secured to prevent unintended movement during use.

The table saw must be securely mounted on a stand, workbench or other rigid and stable support so that the saw does not move while cutting and cannot be overturned by large overhanging pieces of material. Four mounting holes 9 are provided in the metal frame to allow the table saw to be secured to a stand or other means of support.

1. Center the saw on the desired, stable work surface.
2. Drive four 3-1/2" (88.9 mm) long screws through the holes 9 in the metal frame. Make sure the screws extend through the frame and securely attach to the supporting work surface.

NOTE: If marring the supporting work surface is a concern, the table saw can be mounted to scrap wood which can then be clamped onto the desired work surface.
3. Cut a piece of 3/4" (19 mm) plywood to fit beneath the footprint of the saw.
4. Screw the saw to the plywood and clamp the overhang of the plywood to the work surface. If the screws protrude through the plywood base, set it on two scrap pieces of material of equal thickness and attach them to the edges of the plywood to hold the saw further off of the work surface and prevent the screws from marring the surface.

ASSEMBLY AND ADJUSTMENTS

WARNING: To reduce the risk of serious personal injury, turn unit off and remove the battery pack before making any adjustments or removing/installing attachments or accessories. An accidental start-up can cause injury.

NOTE: This saw is fully and accurately adjusted at the factory at the time of manufacture. If readjustment due to shipping and handling or any other reason is required, follow the sections below to adjust this saw.

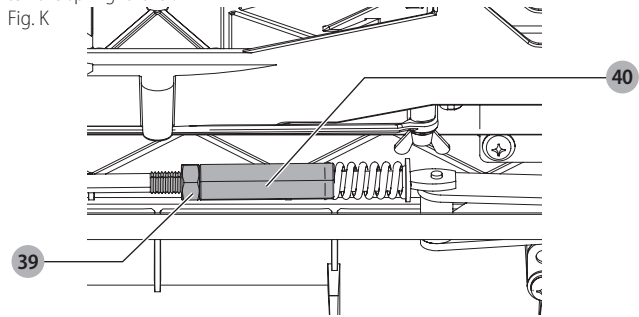
Once made, these adjustments should remain accurate. Take a little time now to follow these directions carefully to maintain the accuracy of which this saw is capable.

Rail Lock Adjustment (Fig. I, K) (Tightening Fence Clamping System)

1. Lock the rail lock lever 5.
2. On the underside of the saw, loosen the jam nut 39.

3. Tighten the hex rod 40 until the spring on the locking system is more compressed, (not fully compressed) creating the desired tension on the rail lock lever. Retighten the jam nut against the hex rod.
4. Check that the fence does not move when the lock lever is engaged. If the fence is still loose, tighten the spring further.

Fig. K



Rip Scale Adjustment

See **Adjusting the Rip Scale** under **Assembly**.

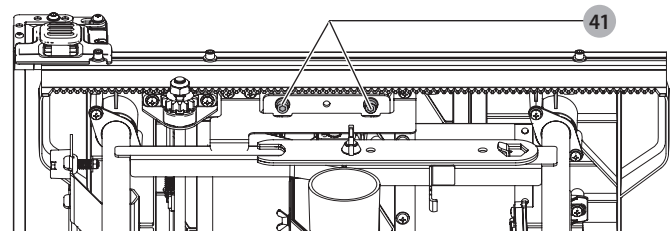
Adjusting Blade Alignment (Fig. L) (Blade Parallel to Miter Slot)

WARNING: Cut Hazard. Check the blade at 0° and 45° to make sure blade does not hit the throat plate, causing personal injury.

If the blade appears to be out of alignment with the miter slot on the table top, it will require calibration for alignment. To realign the blade and miter slot, use the following procedure:

WARNING: To reduce the risk of serious personal injury, turn unit off and remove the battery pack before making any adjustments or removing/installing attachments or accessories. An accidental start-up can cause injury.

Fig. L

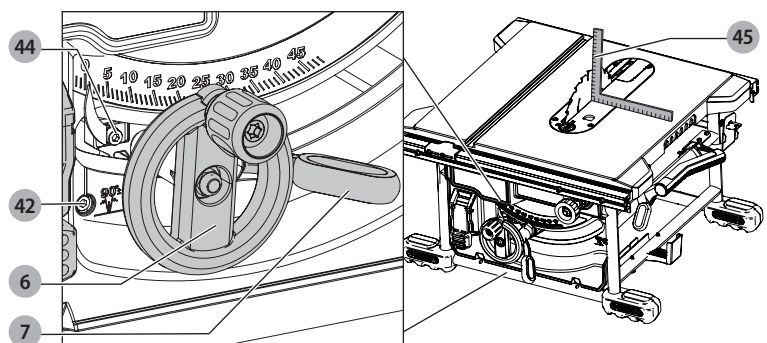


1. Using a 5 mm hex wrench, loosen rear pivot bracket fasteners 41 just enough to allow the bracket to move side-to-side.
2. Adjust the bracket until the blade is parallel to the miter gauge slot.
3. Tighten the rear pivot bracket fasteners to 110–120 in-lbs (12.5–13.6 Nm).

Bevel Stop and Pointer Adjustment (Fig. M)

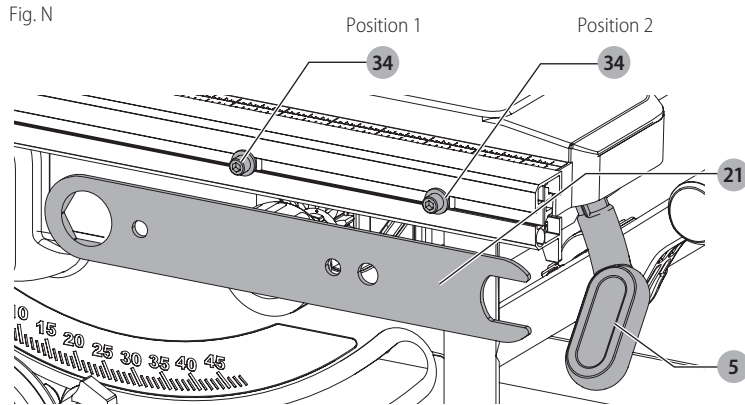
1. Raise the blade fully by rotating the blade height adjustment wheel 6 clockwise until it stops.
2. Unlock the bevel lock lever 7 by pushing it up and to the right. Loosen the bevel stop screw 42.
3. Place a square 45 flat against the table top and against the blade between teeth, as shown in Figure M. Ensure the bevel lock lever is in its unlocked, or up, position.
4. Using the bevel lock lever, adjust the bevel angle until it is flat against the square.
5. Tighten the bevel lock lever by pushing it down.
6. Turn the bevel stop screw 42 to rotate the cam until it firmly contacts the bearing block. Tighten the bevel stop screw 42.
7. Check the bevel angle scale. If the pointer does not read 0°, loosen pointer screw 44 and move the pointer so it reads correctly. Retighten the pointer screw.
8. Repeat at 45°, but do not adjust pointer.

Fig. M



Fence Alignment Adjustment (Fig. H, N) (Blade Parallel to Fence)

If you experience fence alignment problems and want to correct an out of parallel alignment between the fence and the blade, be sure to check the alignment of the blade to the miter slot first. After confirming that those elements are aligned, proceed with alignment of the blade to the fence using the following procedure:



Position 1 Fence Alignment

1. Install the fence in position 1 (Refer to Figure H) and unlock the rail lock lever 5. Locate both locator pins 34 that support the fence on the front and rear rails.
2. Loosen the rear locator pin screw and adjust the alignment of the fence in the groove until the fence face is parallel to the blade. Make sure you measure from the fence face to the front and back of the blade to ensure alignment.
3. Tighten the locator pin screw.
4. Check rip scale pointer adjustment.

NOTE: Follow the **Position 1 Fence Alignment** instructions for aligning the fence on the left of the blade.

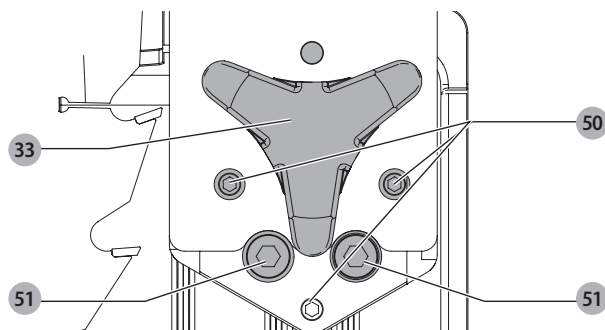
Position 2 Fence Alignment

1. To align position 2 fence locator pins, ensure position 1 pins have been aligned, refer to **Position 1 Fence Alignment**.
2. Loosen the position 2 locator pins, then using holes in the blade wrench 21 as a guide for positioning, align the pins (Fig. N).
3. Tighten the locator pins (front and rear).

Aligning Riving Knife to Blade (Fig. O)

1. Remove the throat plate. Refer to **Removing the Throat Plate** under **Assembly**.
2. Raise the blade to full depth of cut and 0° bevel angle.
3. Locate the three small set screws 50 adjacent to the riving knife lock knob 33. These screws will be used to adjust the riving knife position.
4. Lay a straight edge on the table against two blade tips. The riving knife should not touch the straight edge.
5. If needed, loosen the two larger lock screws 51.
6. Use the small set screws 50 to adjust the riving knife position. Lay the straight edge on the opposite side of the blade and repeat adjustments as needed.
7. Lightly tighten the two larger lock screws 51.
8. Place a square flat against the riving knife to verify the riving knife is vertical and in-line with the blade.
9. If needed, use the set screws to bring the riving knife vertical with the square.
10. Repeat step 4 to verify position of riving knife. Repeat 5 thru 9 if necessary.
11. Fully tighten the two larger lock screws 51.

Fig. O



Saw Blades

WARNING: Riving knives must be matched to saw blade dimensions in order to function effectively. Refer to **Splitter and Riving Knife Selection**. Use only 8-1/4" (210mm) diameter blades with this table saw.

- The saw blade furnished with your new saw is a 8-1/4" (210 mm) combination blade, used for crosscutting (across the grain) and ripping (with the grain) through the material. The center hole to fit on the arbor is 5/8" (16 mm) diameter. This blade will produce a good quality cut for most applications.
- There are many types of blades available to do specific and special jobs such as cross cut only, rip only, hollow ground, thin plywood, paneling, etc.
- Use only saw blades designed for maximum safe operating speeds of 6,000 RPM or greater.
- Saw blades should always be kept sharp. It is recommended that you locate a reputable sharpening service to sharpen your blades when needed.
- Never stack blades on top of one another to store. Place material such as cardboard between them to keep the blades from coming in contact with one another.

WARNING: To reduce the risk of injury, abrasive wheels or blades (including diamond) should not be used on this saw.

Splitter and Riving Knife Selection (Fig. P)

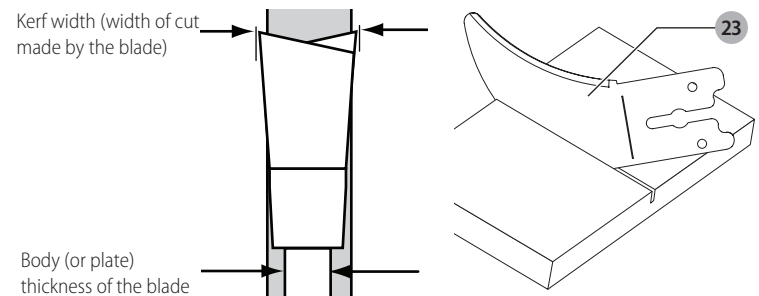
WARNING: To minimize the risk of kickback and to ensure proper cutting, the splitter and riving knife must be the proper thickness for the blade used.

The splitter and riving knife supplied with this table saw is the correct size for the blade supplied with the saw.

If a different blade is used, check the blade body (plate) thickness and the blade kerf (cutting) width marked on the blade or on the blade packaging. The splitter and riving knife thickness must be greater than the body thickness and less than the kerf width as shown in Figure P.

Fig. P

Riving knife thickness



The riving knife provided with this saw is marked as follows:

.063" (1.6 mm) THICK RIVING KNIFE. ONLY FOR USE WITH 8 1/4" (210 mm) BLADE WITH .071" (1.8 mm) MIN KERF WIDTH AND .055" (1.4 mm) MAX BODY THICKNESS.

Blade body thickness and kerf width dimensions for all DeWALT table saw blades are available at www.dewalt.com

If a different blade is used and the body thickness and kerf width dimensions are not provided, use the following procedure to determine the correct riving knife thickness:

1. Measure the body thickness of the blade.
2. Make a shallow cut in scrap material and measure the kerf width.
3. Select the riving knife 23.
4. Slide the riving knife through the shallow cut made in step 2 to confirm the correct riving knife has been selected. The riving knife should not bind or drag through the cut.

WARNING: If any dragging or binding of the material is encountered as it reaches the riving knife, turn unit off and remove the battery pack. Repeat steps 1–4 to make the proper riving knife selection before attempting another cut.

Kickback

Kickback is a dangerous condition! It is caused by the workpiece binding against the blade. The result is that the workpiece can move rapidly in a direction opposite to the feed direction. During kickback, the workpiece could be thrown back at the operator. It can also drag the operator's hand back into the blade if the operator's hand is at the rear of the blade. If kickback occurs, turn the saw OFF and verify the proper functioning of the riving knife, anti-kickback assembly and blade guard assembly before resuming work.

WARNING: See **Additional Safety Rules for Table Saws** and follow all warnings provided regarding KICKBACK.

OPERATION

WARNING: To reduce the risk of serious personal injury, turn unit off and remove the battery pack before making any adjustments or removing/installing attachments or accessories. An accidental start-up can cause injury.

WARNING: Before using the saw, verify the following each and every time:

- ALWAYS wear proper eye, hearing and respiratory equipment.
- Blade is securely tightened.
- Bevel angle and rail lock levers are locked.
- If ripping, ensure that rip fence locked lever is locked and that the fence is parallel to the blade.
- If crosscutting, miter gauge knob is securely tightened.

- The blade guard assembly is properly attached and the anti-kickback assembly is functioning.
- **ALWAYS** inspect the blade guard assembly and riving knife for proper alignment, operation and clearance with saw blade.
- **ALWAYS** make sure both guards are in the down position in contact with the table before operating.

WARNING: To reduce the risk of serious personal injury, have push stick ready to use before starting cut.

Failure to adhere to these common safety rules can greatly increase the likelihood of injury.

WARNING: Before installing the battery in the table saw or operating the saw, always inspect the blade guard assembly and riving knife for proper operation alignment and clearance with saw blade.

WARNING: Ripping or crosscutting may cause saw to tip over while operating. Make sure saw is securely mounted to a stable surface.

WARNING: Never use the fence and miter gauge together. This may cause a kickback condition and injure the operator.

CAUTION: If this saw makes an unfamiliar noise or if it vibrates excessively, cease operating immediately, turn unit off and remove the battery pack until the problem has been located and corrected. Contact a DeWALT factory service center, a DeWALT authorized service center or other qualified service personnel if the problem cannot be found.

WARNING: The proper throat plate must be in place at all times to reduce the risk of a thrown workpiece and possible injury.

There are two basic types of cutting with table saws: ripping and crosscutting. Regardless of material, man made or natural wood, the distinction between ripping and crosscutting is as follows: Ripping is cutting to a different width (usually with the grain) and crosscutting describes cutting material across the shorter dimension (usually against the grain).

WARNING: When ripping, always use the fence to provide a guide for the material and blade guard assembly to protect against a kickback situation.

WARNING: Never perform any cutting operation free hand. Never perform plunge cutting.

WARNING: When crosscutting, always use the miter gauge. Do not use both the rip fence and miter gauge together.

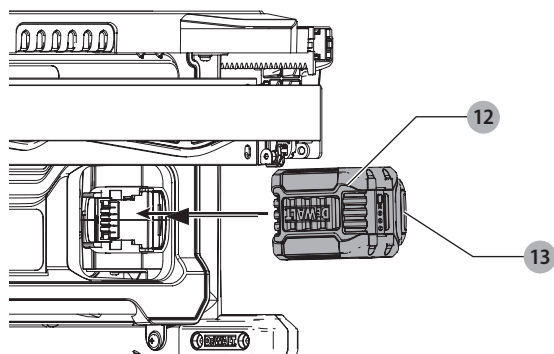
Installing and Removing the Battery Pack (Fig. Q)

NOTE: For best results, make sure your battery pack is fully charged.

To install the battery pack **12** into the tool, align the battery pack with the rails inside the tool and slide it in until the battery pack is firmly seated and ensure that it does not disengage.

To remove the battery pack from the tool, press the release button **13** and firmly pull the battery pack out of the tool. Insert it into the charger as described in the charger section of this manual.

Fig. Q



On-Off Switch Operation (Fig. R)

WARNING: To reduce the risk of injury, be sure the switch is in the OFF position before installing the battery.

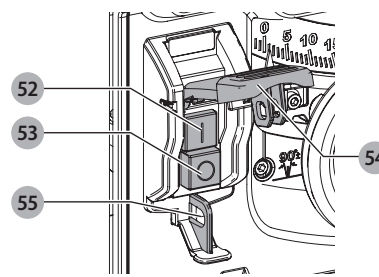
Lift the red paddle and push green button **52** in to turn this saw on.

Push the red button **53** or push down the red paddle **54** to turn this saw off.

Locking Off the Saw

The On-Off switch may be locked to prevent unauthorized operation of the saw. To lock the switch in the Off position, insert a padlock through the red handle and hole **55**. Padlock must not exceed a maximum diameter of 1/4" (6.35 mm).

Fig. R



Guard Operating Feature (Fig. S)

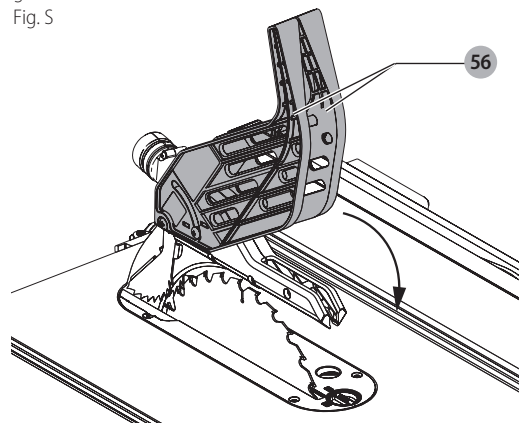
WARNING: To reduce the risk of serious personal injury, turn unit off and remove the battery pack before making any adjustments or removing/installing attachments or accessories. An accidental start-up can cause injury.

1. The guard arms **56** will lock in place when in the raised position.
2. This feature improves visibility when measuring the blade to fence distance.
3. Push down on guard(s) and they will release to the operating position.

NOTE: Pull on the anti-kickback assembly to ensure it is locked in place.

ALWAYS make sure both guards are in the down position in contact with the table before operating.

Fig. S



Rip Fence Operation (Fig. A, T)

Rail lock lever (Fig. A)

The rail lock lever **5** locks the fence in place preventing movement during cutting. **To lock the rail lever**, push it down and toward the rear of the saw. **To unlock**, pull it up and toward the front of the saw.

WARNING: When ripping, always lock the rail lock lever.

Work Support Extension/Narrow Ripping Fence (Fig. T)

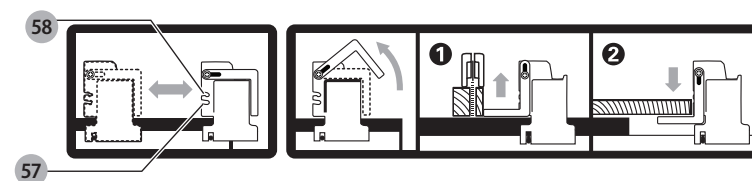
The table saw is equipped with a narrow ripping fence that also supports work that extends beyond the saw table.

To use the narrow ripping fence in the work support position, rotate it from its stored position as shown in Figure T, and slide the pins into the lower sets of slots **57** on both ends of the fence.

To use the narrow ripping fence in the narrow ripping position, snap the pins into the upper sets of slots **58** on both ends of the fence.

This feature will allow 2" (51 mm) of extra clearance to the blade. Refer to figure T.

Fig. T



NOTE: When not in use, the narrow ripping fence should be placed in its stored position.

NOTE: This fence will allow the guard to remain on the saw when completing narrow ripping. This fence will provide ample space for a push stick.

Fine Adjustment Knob (Fig. A)

The fine adjustment knob 4 allows smaller adjustments when setting the fence. Before adjusting, be sure the rail lock lever is in its up or unlocked position.

Rip Scale Pointer

The rip scale pointer will need to be adjusted for proper performance of the rip fence if the user switches between thick and thin kerf blades. The rip scale pointer only reads correctly for position 1 (0 to 24"), however for position 1 with narrow rip fence in use add 2" (51 mm). See **Adjusting the Rip Scale** under **Assembly**.

Through-Cutting Operations

WARNING: Use blade guard assembly for all through-cutting operations.

Ripping (Fig. U)

WARNING: Never touch the "free end" of the workpiece or a "free piece" that is cut off, while the power is ON and/or the saw blade is rotating. Piece may contact the blade resulting in a thrown workpiece and possible injury.

WARNING: A rip fence should **ALWAYS** be used for ripping operations to prevent loss of control and personal injury. **NEVER** perform a ripping operation freehand. **ALWAYS** lock the fence to the rail.

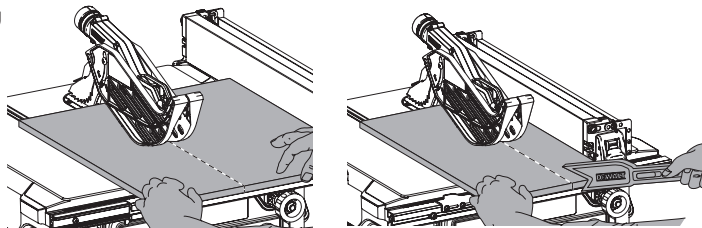
WARNING: When bevel ripping and whenever possible, place the fence on the side of the blade so that the blade is tilted away from the fence and hands.

WARNING: Keep hands clear of the blade.

WARNING: Use a push stick to feed the workpiece if there is 2–6" (51–152 mm) between the fence and the blade. Use a narrow ripping fence feature and push block to feed the workpiece if there is 2" (51 mm) or narrower between the fence and the blade.

1. Lock the rip fence by pressing the rail lock lever down. Remove the miter gauge.
2. Raise the blade so it is about 1/8" (3.2 mm) higher than the top of the workpiece.
3. Hold the workpiece flat on the table and against the fence. Keep the workpiece about 1" (25.4 mm) away from the blade.

Fig. U



WARNING: The workpiece must have a straight edge against the fence and must not be warped, twisted or bowed. Keep both hands away from the blade and away from the path of the blade. See proper hand position in Figure U.

4. Turn the saw on and allow the blade to come up to speed. Both hands can be used in starting the cut. When there is approximately 12" (305 mm) left to be ripped, use only one hand, with your thumb pushing the material, your index and second finger holding the material down and your other fingers hooked over the fence. Always keep your thumb along side your first two fingers and near the fence.
5. Keeping the workpiece against the table and fence, slowly feed the workpiece rearward all the way through the saw blade. Continue pushing the workpiece until it is clear of the blade guard assembly and it falls off the rear of the table. Do not overload the motor.
6. Never try to pull the workpiece back with the blade turning. Turn the switch off, allow the blade to stop, raise the anti-kickback teeth on each side of the riving knife if necessary and slide the workpiece out.
7. When sawing a long piece of material or a panel, always use a work support. A sawhorse, rollers, or out feed assembly provides adequate support for this purpose. The work support must be at the same height or slightly lower than the saw table.

WARNING: Never push or hold onto the free or cut-off side of the workpiece if it is between the blade and the fence.

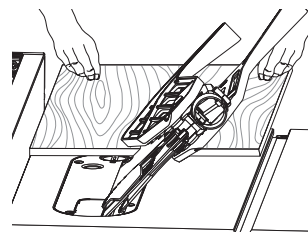
Ripping Small Pieces

It is unsafe to rip small pieces. It is not safe to put your hands close to the blade. Instead, rip a larger piece to obtain the desired piece. When a small width is to be ripped and the hand cannot be safely put between the blade and the rip fence, use one or more push sticks. A pattern is included at the end of this manual to make push sticks. A push stick 22 is included with this saw, attached to the rip fence. Use the push stick(s) to hold the workpiece against the table and fence, and push the workpiece fully past the blade. The narrow ripping fence feature on the table saw may be used for some narrow rip cuts. You may also use an auxiliary narrow rip fence. Instructions for making an auxiliary fence are provided in the back of the manual.

Bevel Ripping (Fig. V)

This operation is the same as ripping except the bevel angle is set to an angle other than zero degrees. For proper hand position, Refer to Figure V.

Fig. V



WARNING: Before installing the battery pack or operating the saw, always inspect the blade guard assembly and riving knife for proper alignment and clearance with saw blade. Check alignment after each change of bevel angle.

Crosscutting (Fig. W)

WARNING: NEVER use rip fence in combination with miter gauge.

WARNING: NEVER touch the "free end" of the workpiece or a "free piece" that is cut off, while the power is ON and/or the saw blade is rotating. Piece may contact the blade resulting in a thrown workpiece and possible injury.

WARNING: To reduce the risk of injury, **NEVER** use the fence as a guide or length stop when crosscutting.

WARNING: NEVER use a length stop on the free end of the workpiece when crosscutting. In short, the cut-off piece in any thru-sawing (cutting completely through the workpiece) operation must never be confined — it must be allowed to move away from saw blade to prevent contact with blade resulting in a thrown workpiece and possibly injury.

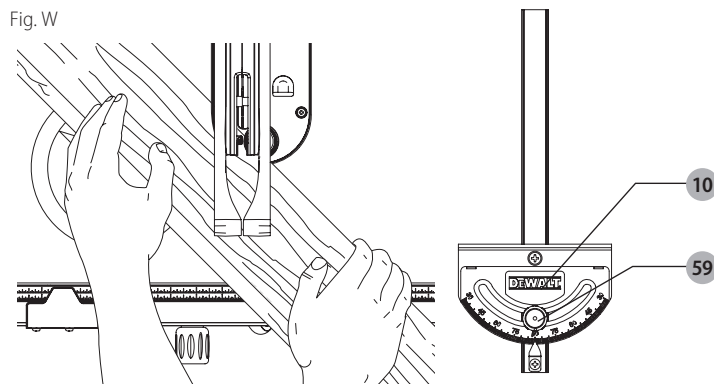
WARNING: Use caution when starting the cut to prevent binding of the blade guard assembly against the workpiece resulting in damage to saw and possible injury.

WARNING: When using a block as a cut-off gauge, the block must be at least 3/4" (19 mm) thick and is very important that the rear end of the block be positioned so the workpiece is clear of the block before it enters the blade to prevent contact with blade resulting in a thrown workpiece and possibly injury.

1. Remove the rip fence and place the miter gauge in the desired slot.
2. Adjust the blade height so that the blade is about 1/8" (3.2 mm) higher than the top of the workpiece.
3. Hold the workpiece firmly against the miter gauge 10 with the path of the blade in line with the desired cut location. Keep the workpiece an inch or so in front of the blade. **KEEP BOTH HANDS AWAY FROM THE BLADE AND THE PATH OF THE BLADE** (Fig. W).
4. Start the saw motor and allow the blade to come up to speed.
5. While using both hands to keep the workpiece against the face of the miter gauge, and holding the workpiece flat against the table, slowly push the workpiece through the blade.
6. Never try to pull the workpiece with the blade turning. Turn the switch off, allow the blade to stop, and carefully slide the workpiece out.

WARNING: Never touch or hold onto the free or cut-off end of the workpiece.

Fig. W



Bevel Crosscutting

This operation is the same as crosscutting except that the bevel angle is set to an angle other than 0°.

WARNING: Before connecting installing the battery pack or operating the saw, always inspect the blade guard assembly and riving knife for proper alignment and clearance with saw blade. Check alignment after each change of bevel angle.

Mitering (Fig. W)

WARNING: Miter angles greater than 45° may force the blade guard assembly into the saw blade causing damage to the blade guard assembly and personal injury. Before starting the motor, test the operation by feeding the workpiece into the blade guard assembly. If the blade guard assembly contacts the blade, place the workpiece under the blade guard assembly, not touching the blade, before starting the motor.

WARNING: Certain workpiece shapes, such as molding may not lift the blade guard assembly properly. Feed the workpiece slowly to start the cut. If the blade guard assembly contacts the blade, place the workpiece under the blade guard assembly, not touching the blade, before starting the motor.

This operation is the same as crosscutting except the miter gauge is locked at an angle other than 0°. Hold the workpiece FIRMLY against the miter gauge **10** and feed the workpiece slowly into the blade (to prevent the workpiece from moving).

Miter Gauge Operation

To set your miter gauge:

1. Loosen the miter gauge lock knob **59**.
2. Move the miter gauge to the desired angle.
3. Tighten the miter gauge lock knob.

Compound Mitering

This is a combination of bevel crosscutting and mitering. Follow the instructions for both bevel crosscutting and mitering.

Non-Through-Cutting (Grooving and Rabbeting)

WARNING: Remove the blade guard assembly **11** and install the non-through-cutting riving knife **23** for non-through-cutting operations. Use featherboards for all non-through-cutting operations where the blade guard assembly, anti-kickback assembly and riving knife cannot be used.

Instructions in the **Ripping, Crosscutting, Bevel Crosscutting, Mitering, and Compound Mitering** sections are for cuts made through the full thickness of the material. The saw can also perform non-through cuts to form grooves or rabbets in the material.

Non-Through-Ripping (Fig. X, G)

WARNING: A rip fence should ALWAYS be used for ripping operations to prevent loss of control and personal injury. NEVER perform a ripping operation freehand. ALWAYS lock the fence to the rail.

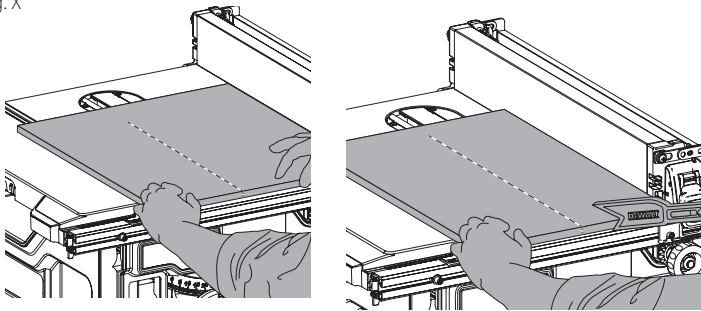
WARNING: When bevel ripping and whenever possible, place the fence on the side of the blade so that the blade is tilted away from the fence and hands.

WARNING: Keep hands clear of the blade. With non-through-cutting the blade is not always visible during the cut, so increased caution is necessary to ensure hands are clear of the blade.

WARNING: Use a push stick to feed the workpiece if there are 2–6" (51–152 mm) between the fence and the blade. Use a narrow ripping fence feature and push block to feed the workpiece if there are 2" (51 mm) or narrower between the fence and the blade.

1. Remove the blade guard assembly **11** and install the non-through-cutting riving knife **23** (Fig. G). Refer to **Installing/Removing the Blade Guard Assembly and Riving Knife**.
2. Lock the rip fence by pressing the rail lock lever down. Remove the miter gauge.
3. Raise the blade to the desired cut depth.
4. Hold the workpiece flat on the table and against the fence. Keep the workpiece about 1" (25.4 mm) away from the blade.

Fig. X



WARNING: The workpiece must have a straight edge against the fence and must not be warped, twisted or bowed. Keep both hands away from the blade and away from the path of the blade. See proper hand position in Figure X.

5. Turn the saw on and allow the blade to come up to speed. Both hands can be used in starting the cut. When there are approximately 12" (305 mm) left to be ripped, use only one hand, with your thumb pushing the material, your index and second finger holding the material down and your other fingers hooked over the fence. Always keep your thumb along side your first two fingers and near the fence.
6. Keeping the workpiece against the table and fence, slowly feed the workpiece rearward all the way through the saw blade. Continue pushing the workpiece until it is clear of the blade guard assembly and it falls off the rear of the table. Do not overload the motor.
7. Never try to pull the workpiece back with the blade turning. Turn the switch off, allow the blade to stop and slide the workpiece out.
8. When sawing a long piece of material or a panel, always use a work support. A sawhorse, rollers, or out feed assembly provides adequate support for this purpose. The work support must be at the same height or slightly lower than the saw table.

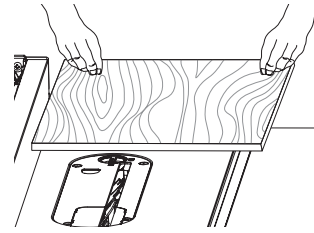
Non-Through-Ripping Small Pieces (Fig. A)

It is unsafe to rip small pieces. It is not safe to put your hands close to the blade. Instead, rip a larger piece to obtain the desired piece. When a small width is to be ripped and the hand cannot be safely put between the blade and the rip fence, use one or more push sticks. A pattern is included at the end of this manual to make push sticks. A push stick **22** is included with this saw, attached to the rip fence. Use the push stick(s) to hold the workpiece against the table and fence, and push the workpiece fully past the blade.

Non-Through-Bevel Ripping (Fig. Y)

This operation is the same as non-through-cut ripping except the bevel angle is set to an angle other than zero degrees. For proper hand position, Refer to Figure Y.

Fig. Y



WARNING: Before installing the battery pack or operating the saw, always inspect the riving knife for proper alignment and clearance with saw blade. Check alignment after each change of bevel angle.

Non-Through-Crosscutting (Fig. Z)

WARNING: NEVER use rip fence in combination with miter gauge.

WARNING: To reduce the risk of injury, NEVER use the fence as a guide or length stop when crosscutting.

WARNING: When using a block as a cut-off gauge, the block must be at least 3/4" (19 mm) thick and is very important that the rear end of the block be positioned so the workpiece is clear of the block before it enters the blade to prevent contact with blade resulting in a thrown workpiece and possibly injury.

1. Remove the rip fence and place the miter gauge in the desired slot.
2. Adjust the blade height to the desired cut depth.
3. Hold the workpiece firmly against the miter gauge **10** with the path of the blade in line with the desired cut location. Keep the workpiece an inch or so in front of the blade. KEEP BOTH HANDS AWAY FROM THE BLADE AND THE PATH OF THE BLADE (Fig. Z).
4. Start the saw motor and allow the blade to come up to speed.
5. While using both hands to keep the workpiece against the face of the miter gauge, and holding the workpiece flat against the table, slowly push the workpiece through the blade.
6. Never try to pull the workpiece with the blade turning. Turn the switch off, allow the blade to stop, and carefully slide the workpiece out.

Non-Through-Bevel Crosscutting

This operation is the same as crosscutting except that the bevel angle is set to an angle other than 0°.

WARNING: Before connecting installing the battery pack or operating the saw, always inspect the riving knife for proper alignment and clearance with saw blade. Check alignment after each change of bevel angle.

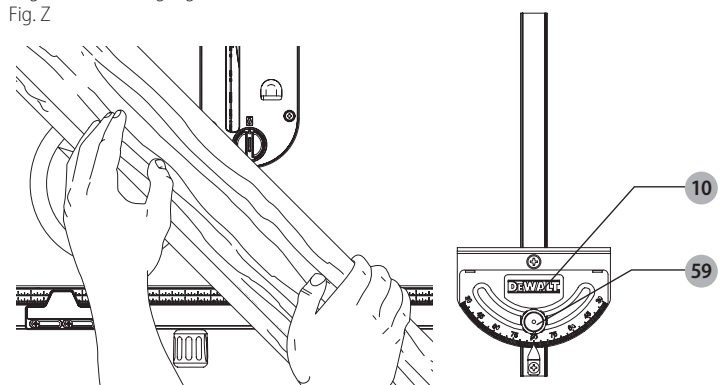
Non-Through-Mitering (Fig. Z)

This operation is the same as crosscutting except the miter gauge is locked at an angle other than 0°. Hold the workpiece FIRMLY against the miter gauge **10** and feed the workpiece slowly into the blade (to prevent the workpiece from moving).

Non-Through-Miter Gauge Operation

To set your miter gauge:

1. Loosen the miter gauge lock knob **59**.
2. Move the miter gauge to the desired angle.
3. Tighten the miter gauge lock knob.



Non-Through-Compound Mitering

This is a combination of non-through-bevel crosscutting and non-through-mitering. Follow the instructions for both non-through-bevel crosscutting and non-through-mitering.

Dust Collection (Fig. A, AA)

This table saw is equipped with a dustshroud and dust collection port. For best results, connect a vacuum to the port at the rear of the saw and on the guard using a Y connector. The Y connector is available as an accessory at additional cost. Refer to **Accessories**.

NOTICE: Care should be taken to position hoses to not interfere with cutting operation.

WARNING: To prevent accidental start up, remove battery from the saw before cleaning out dust collection system.

1. Turn the saw on its side, so the bottom, open part of the unit is accessible.
2. Open the dust access door **60** shown by removing 2 cross head screws **61** and detaching the door. Clean out the excess dust, and re-attach door, securing it with the wing screws.

Fig. AA

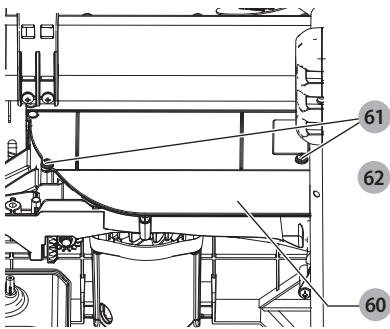
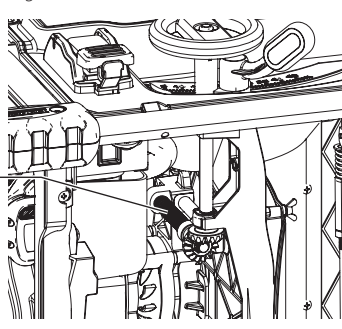


Fig. BB



Motor Overload and Power Loss Reset Switch

If power is interrupted by a dead battery or power is lost, the saw contains a power loss reset switch feature that will automatically reset to OFF position.

Short battery life is often the result of a dull blade. Change your blade on a regular basis to increase battery life.

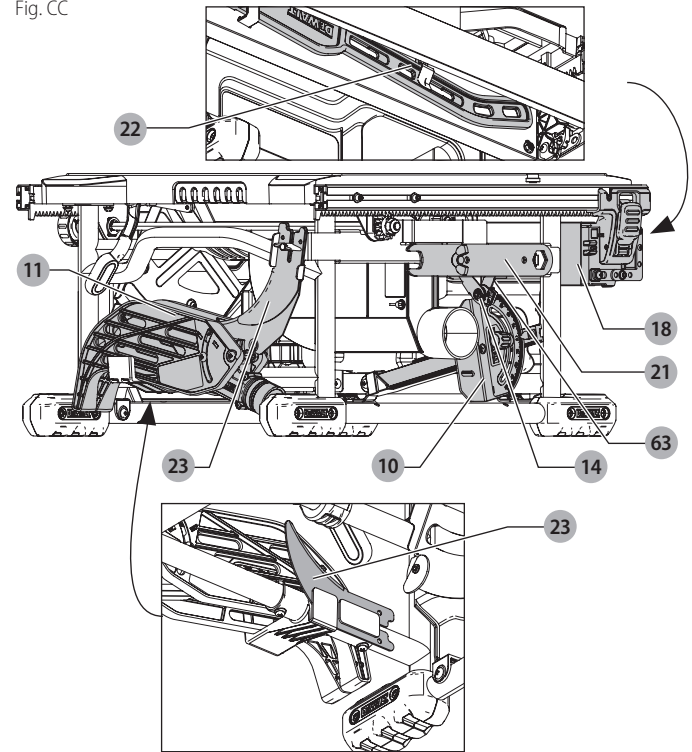
Lubrication (Fig. BB)

1. All motor bearings are permanently lubricated at the factory and no additional lubrication is needed.
2. The height adjustment screw may require periodic cleaning and lubrication. If you have difficulty raising or lowering the blade:
 - a. Remove the battery from the saw.
 - b. Turn the saw on its side, so the bottom, open part of the unit is accessible.
 - c. Clean and lubricate the height adjustment screw threads **62** on the underside of this saw with general purpose grease. Refer to Figure BB.

STORAGE (FIG. CC)

1. Attach push stick **22** to fence.
2. Depress the stem on the anti-kickback assembly **14** to allow the assembly to slide from the riving knife slot.
3. Position anti-kickback assembly into storage as shown. While depressing stem, slide the anti-kickback assembly across the storage bracket **63** and release pin to lock into place.
4. Remove blade guard assembly **11**. Refer to **Installing/Removing the Blade Guard Assembly and Riving Knife**. Place blade guard assembly into holder as shown, then turn lock 1/4 turn to lock in place.
5. Slide closed end of blade wrenches **21** into catch then secure in place with wing nut.
6. Insert guide bar of miter guage **10** into pocket until it bottoms out.
7. Non thru-sawing riving knife **23** slides in place on back side of guard storage clip.
8. To store fence **18**, snap work support in stored position. Remove fence from rails. Reattach fence upside down on left side of saw. Pivot fence lock latches to secure.

Fig. CC



Accessory Construction for Alternative Operation Methods

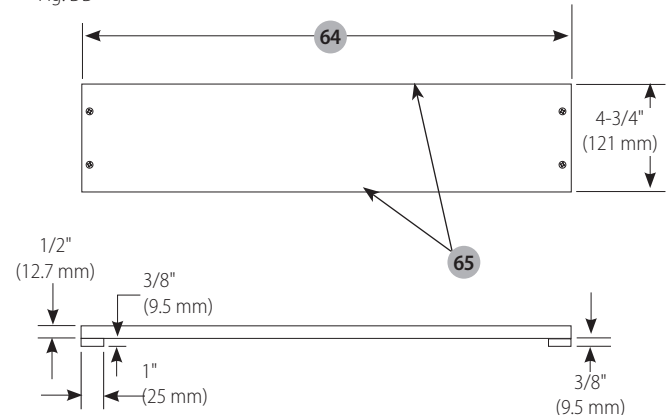
Narrow Rip Auxiliary Fence (Fig. DD-FF)

The narrow rip auxiliary fence should be used for a rip measuring 2" (51 mm) or narrower. This fence will allow the guard to remain on the saw when completing narrow ripping. This fence will provide ample space for proper use of a push block (**66**, see **Push Block**).

1. Follow the diagram in Fig. DD to construct the narrow rip auxiliary fence **69**.

NOTE: The length should be cut to fit the length **64** of the saw table top and sides **65** must be parallel.

Fig. DD



2. After the narrow rip auxiliary fence is constructed, slip it over the saw table top and place it flush to the fence as shown in Figure FF.
3. Feed the workpiece through until the edge of the material reaches the front edge of the saw table top.
4. Continue feeding the material using the push block **66** until the cut is complete.

Push Block (Fig. EE, FF)

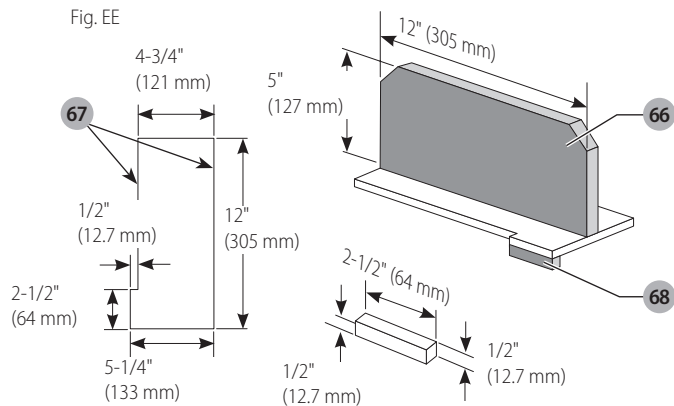
IMPORTANT: Only use the push block **66** with the narrow rip auxiliary fence, refer to **Narrow Rip Auxiliary Fence**. The push block should be used once the material being cut reaches the saw table top.

1. Construct a push block using the diagram in Figure EE.

NOTE: Edges **67** must be parallel.

IMPORTANT: The over hanging edge **68** Fig. EE) MUST be square. An uneven lip could cause the push block to slip or push the material away from the fence.

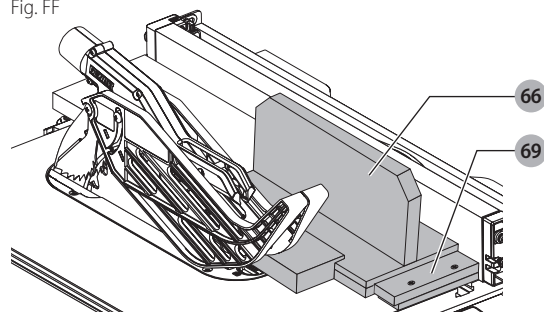
Fig. EE



- Place the push block **66** (Fig. FF) behind the material and ensure the lip of the block is flush to the narrow rip auxiliary fence **69**.
- Once the push block is in place, continue feeding the material until the cut is complete making sure the push block remains flush to the narrow rip auxiliary fence at all times.

IMPORTANT: The narrow rip auxiliary fence and the overhanging edge **68** Fig. EE should both be the same thickness.

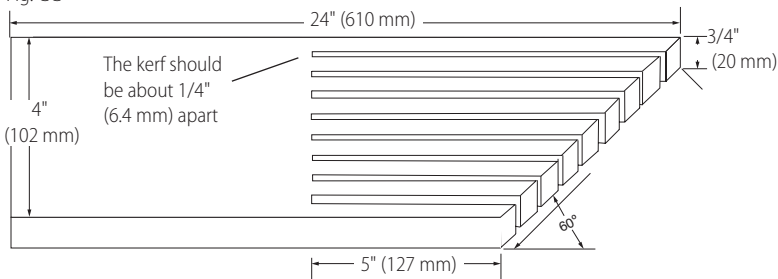
Fig. FF



Featherboard Construction (Fig. GG, HH)

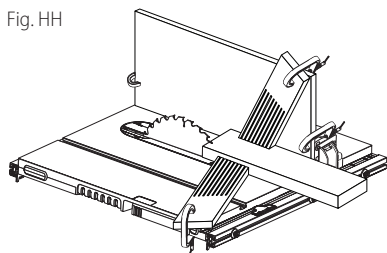
Featherboards are used to keep the work in contact with the fence and table, and help prevent kickbacks. Dimensions for making a typical featherboard are shown in Figure GG. Make the featherboard from a straight piece of wood that is free of knots and cracks. Clamp the featherboard to the fence and table so that the leading edge of the featherboard will support the workpiece until the cut is complete (Fig. HH). An 8" (203 mm) high flat board can be clamped to the rip fence and the featherboard can be clamped to the 8" (203 mm) high board.

Fig. GG



WARNING: Use featherboards for all non thru-sawing operations where the blade guard assembly, anti-kickback assembly and riving knife cannot be used. **Always replace the blade guard assembly, anti-kickback assembly and riving knife when the non thru-sawing operation is complete.** Make sure the featherboard presses only on the portion of the workpiece in front of the blade.

Fig. HH



MAINTENANCE

WARNING: To reduce the risk of serious personal injury, turn unit off and remove the battery pack before making any adjustments or removing/installing attachments or accessories. An accidental start-up can cause injury.

Cleaning

- WARNING:** Blow dirt and dust out of all air vents with clean, dry air at least once a week. To minimize the risk of eye injury, always wear ANSI Z87.1 approved eye protection when performing this.
- WARNING:** Never use solvents or other harsh chemicals for cleaning the non-metallic parts of the tool. These chemicals may weaken the plastic materials used in these parts. Use a cloth dampened only with water and mild soap. Never let any liquid get inside the tool; never immerse any part of the tool into a liquid.

Accessories

WARNING: Since accessories, other than those offered by DeWALT, have not been tested with this product, use of such accessories with this tool could be hazardous. To reduce the risk of injury, only DeWALT recommended accessories should be used with this product.

Recommended accessories for use with your tool are available at extra cost from your local dealer or authorized service center. If you need assistance in locating any accessory, please contact DeWALT Industrial Tool Co., 701 East Joppa Road, Towson, MD 21286, call 1-800-4-DeWALT (1-800-433-9258) or visit our website: www.dewalt.com.

- Compatible Stands (DWE74911)
- Metric rip scale (N458905)
- Dust extraction Y connector (contact your local dealer)

Repairs

The charger and battery pack are not serviceable.

WARNING: To assure product SAFETY and RELIABILITY, repairs, maintenance and adjustment (including brush inspection and replacement) should be performed by a DeWALT factory service center or a DeWALT authorized service center. Always use identical replacement parts.

Register Online

Thank you for your purchase. Register your product now for:

- WARRANTY SERVICE:** Registering your product will help you obtain more efficient warranty service in case there is a problem with your product.
- CONFIRMATION OF OWNERSHIP:** In case of an insurance loss, such as fire, flood or theft, your registration of ownership will serve as your proof of purchase.
- FOR YOUR SAFETY:** Registering your product will allow us to contact you in the unlikely event a safety notification is required under the Federal Consumer Safety Act.

Register online at www.dewalt.com/register.

Three Year Limited Warranty

DeWALT will repair, without charge, any defects due to faulty materials or workmanship for three years from the date of purchase. This warranty does not cover part failure due to normal wear or tool abuse. For further detail of warranty coverage and warranty repair information, visit www.dewalt.com or call 1-800-4-DeWALT (1-800-433-9258). This warranty does not apply to accessories or damage caused where repairs have been made or attempted by others. This warranty gives you specific legal rights and you may have other rights which vary in certain states or provinces.

In addition to the warranty, DeWALT tools are covered by our:

1 YEAR FREE SERVICE

DeWALT will maintain the tool and replace worn parts caused by normal use, for free, any time during the first year after purchase.

2 YEARS FREE SERVICE ON DEWALT BATTERY PACKS

DC9071, DC9091, DC9096, DC9280, DC9360, DC9180, DCB120, DCB127, DCB201, DCB203, DCB203BT, DCB207

3 YEARS FREE SERVICE ON DEWALT BATTERY PACKS

DCB200, DCB204, DCB204BT, DCB205, DCB606

NOTE: Battery warranty voided if the battery pack is tampered with in any way. DeWALT is not responsible for any injury caused by tampering and may prosecute warranty fraud to the fullest extent permitted by law.

90 DAY MONEY BACK GUARANTEE

If you are not completely satisfied with the performance of your DeWALT Power Tool, Laser, or Nailer for any reason, you can return it within 90 days from the date of purchase with a receipt for a full refund – no questions asked.

LATIN AMERICA: This warranty does not apply to products sold in Latin America. For products sold in Latin America, see country specific warranty information contained in the packaging, call the local company or see website for warranty information.

FREE WARNING LABEL REPLACEMENT: If your warning labels become illegible or are missing, call 1-800-4-DeWALT (1-800-433-9258) for a free replacement.

Définitions : symboles et termes d'alarmes sécurité

Ces guides d'utilisation utilisent les symboles et termes d'alarmes sécurité suivants pour vous prévenir de situations dangereuses et de risques de dommages corporels ou matériels.

! **DANGER** : indique une situation dangereuse imminente qui, si elle n'est pas évitée, **entraînera la mort ou des blessures graves**.

! **AVERTISSEMENT** : indique une situation potentiellement dangereuse qui, si elle n'est pas évitée, **pourrait entraîner la mort ou des blessures graves**.

! **ATTENTION** : indique une situation potentiellement dangereuse qui, si elle n'est pas évitée, **pourrait entraîner des blessures légères ou modérées**.

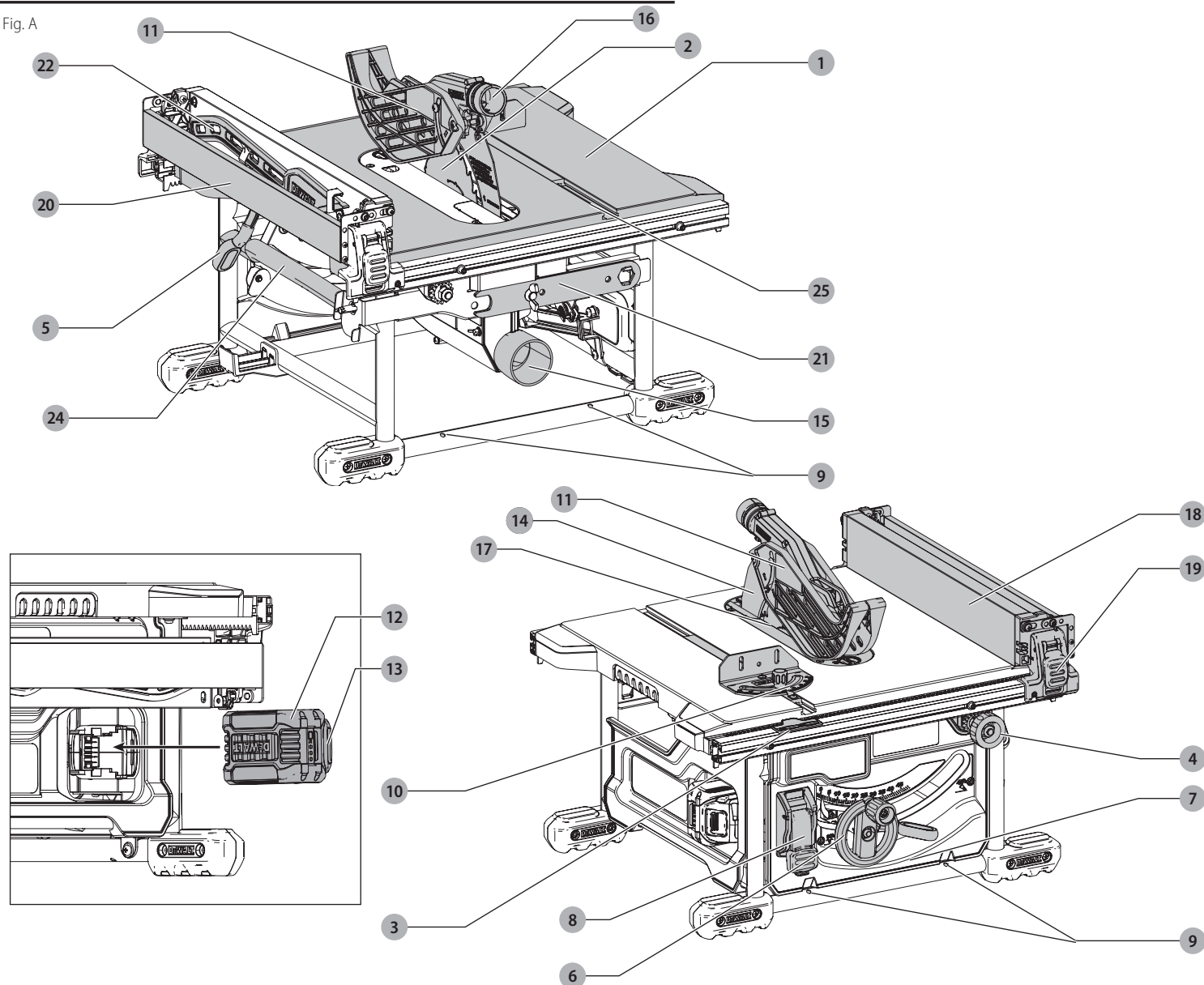
! (Si utilisé sans aucun terme) Indique un message propre à la sécurité.

AVIS : indique une pratique ne posant **aucun risque de dommages corporels** mais qui par contre, si rien n'est fait pour l'éviter, **pourrait poser des risques de dommages matériels**.

! **AVERTISSEMENT!** lire tous les avertissements de **sécurité et toutes les directives**. Le non-respect des avertissements et des directives pourrait se solder par un choc électrique, un incendie et/ou une blessure grave.

! **AVERTISSEMENT** : afin de réduire le risque de blessures, lire le mode d'emploi de l'outil.

Fig. A



- 1 Table
- 2 lame
- 3 Indicateur de l'échelle de division
- 4 Bouton de réglage fin
- 5 Levier de blocage sur le rail
- 6 Roue de réglage de hauteur de lame
- 7 Levier de blocage de biseau
- 8 Assemblage MARCHE/ARRÊT
- 9 Trous de montage
- 10 Rapporteur d'onglet
- 11 Assemblage garde-lame
- 12 Bloc-piles
- 13 Bouton de libération du bloc-piles

- 14 Assemblage antiretour (position remisee)
- 15 Port de collecte de poussière
- 16 Port de collecte de poussière du protège-lame
- 17 Plaque de gorge
- 18 Guide longitudinal
- 19 Verrou du guide longitudinal
- 20 Guide longitudinal étroit/rallonge de support
- 21 Clés de lame (position remisee)
- 22 Bâton-poussoir (position remisee)
- 23 Couteau diviseur (trait de scie non de part en part) (Fig. G)
- 24 Poignée de transport
- 25 Piste du rapporteur d'onglet

AVERTISSEMENTS DE SÉCURITÉ GÉNÉRAUX POUR LES OUTILS ÉLECTRIQUES

⚠ AVERTISSEMENT! lisez tous les avertissements de sécurité, toutes les instructions, les illustrations et les caractéristiques fournis avec cet outil électrique. Ne pas suivre toutes les instructions suivantes peut entraîner un choc électrique, un incendie et/ou des blessures graves.

CONSERVER TOUS LES AVERTISSEMENTS ET TOUTES LES DIRECTIVES POUR UN USAGE ULTÉRIEUR

Le terme « outil électrique » cité dans les avertissements se rapporte à votre outil électrique à alimentation sur secteur (avec fil) ou par piles (sans fil).

1) Sécurité du lieu de travail

- Tenir l'aire de travail propre et bien éclairée.** Les lieux encombrés ou sombres sont propices aux accidents.
- Ne pas faire fonctionner d'outils électriques dans un milieu déflagrant, tel qu'en présence de liquides, de gaz ou de poussières inflammables.** Les outils électriques produisent des étincelles qui pourraient enflammer la poussière ou les vapeurs.
- Éloigner les enfants et les personnes à proximité pendant l'utilisation d'un outil électrique.** Une distraction pourrait en faire perdre la maîtrise à l'utilisateur.

2) Sécurité en matière d'électricité

- Les fiches des outils électriques doivent correspondre à la prise. Ne jamais modifier la fiche d'aucune façon. Ne jamais utiliser de fiche d'adaptation avec un outil électrique mis à la terre.** Le risque de choc électrique sera réduit par l'utilisation de fiches non modifiées correspondant à la prise.
- Éviter tout contact physique avec des surfaces mises à la terre comme des tuyaux, des radiateurs, des cuisinières et des réfrigérateurs.** Le risque de choc électrique est plus élevé si votre corps est mis à la terre.
- Ne pas exposer les outils électriques à la pluie ou à l'humidité.** La pénétration de l'eau dans un outil électrique augmente le risque de choc électrique.
- Ne pas utiliser le cordon de façon abusive. Ne jamais utiliser le cordon pour transporter, tirer ou débrancher un outil électrique. Tenir le cordon éloigné de la chaleur, de l'huile, des bords tranchants et des pièces mobiles.** Les cordons endommagés ou enchevêtrés augmentent les risques de choc électrique.
- Pour l'utilisation d'un outil électrique à l'extérieur, se servir d'une rallonge convenant à cette application.** L'utilisation d'une rallonge conçue pour l'extérieur réduira les risques de choc électrique.
- S'il est impossible d'éviter l'utilisation d'un outil électrique dans un endroit humide, brancher l'outil dans une prise ou sur un circuit d'alimentation dotés d'un disjoncteur de fuite à la terre (GFCI).** L'utilisation de ce type de disjoncteur réduit les risques de choc électrique.

3) Sécurité personnelle

- Être vigilant, surveiller le travail effectué et faire preuve de jugement lorsqu'un outil électrique est utilisé. Ne pas utiliser d'outil électrique en cas de fatigue ou sous l'influence de drogues, d'alcool ou de médicaments.** Un simple moment d'inattention en utilisant un outil électrique peut entraîner des blessures corporelles graves.
- Utiliser des équipements de protection individuelle. Toujours porter une protection oculaire.** L'utilisation d'équipements de protection comme un masque antipoussière, des chaussures antidérapantes, un casque de sécurité ou des protecteurs auditifs lorsque la situation le requiert réduira les risques de blessures corporelles.
- Empêcher les démarrages intempestifs. S'assurer que l'interrupteur se trouve à la position d'arrêt avant de relier l'outil à une source d'alimentation et/ou d'insérer un bloc-piles, de ramasser ou de transporter l'outil.** Transporter un outil électrique alors que le doigt repose sur l'interrupteur ou brancher un outil électrique dont l'interrupteur est à la position de marche risque de provoquer un accident.
- Retirer toute clé de réglage ou clé avant de démarrer l'outil.** Une clé ou une clé de réglage attachée à une partie pivotante de l'outil électrique peut provoquer des blessures corporelles.
- Ne pas trop tendre les bras. Conserver son équilibre en tout temps.** Cela permet de mieux maîtriser l'outil électrique dans les situations imprévues.
- S'habiller de manière appropriée. Ne pas porter de vêtements amples ni de bijoux. Garder les cheveux, les vêtements et les gants à l'écart des pièces mobiles.** Les vêtements amples, les bijoux ou les cheveux longs risquent de rester coincés dans les pièces mobiles.
- Si des composants sont fournis pour le raccordement de dispositifs de dépoussiérage et de ramassage, s'assurer que ceux-ci sont bien raccordés et utilisés.** L'utilisation d'un dispositif de dépoussiérage peut réduire les dangers engendrés par les poussières.
- Ne pas laisser votre connaissance acquise suite l'utilisation fréquente des outils vous permettre de baisser la garde et ignorer les principes de sécurité de l'outil.** Un acte irréfléchi peut causer une blessure grave en une fraction de seconde.

4) Utilisation et entretien d'un outil électrique

- Ne pas forcer un outil électrique. Utiliser l'outil électrique approprié à l'application.** L'outil électrique approprié effectuera un meilleur travail, de façon plus sûre et à la vitesse pour laquelle il a été conçu.
- Ne pas utiliser un outil électrique dont l'interrupteur est défectueux.** Tout outil électrique dont l'interrupteur est défectueux est dangereux et doit être réparé.
- Débrancher la fiche de la source d'alimentation et/ou du bloc-piles de l'outil électrique avant de faire tout réglage ou changement d'accessoire ou avant de ranger l'outil.** Ces mesures préventives réduisent les risques de démarrage accidentel de l'outil électrique.
- Ranger les outils électriques hors de la portée des enfants et ne permettre à aucune personne n'étant pas familière avec un outil électrique ou son mode d'emploi d'utiliser cet outil.** Les outils électriques deviennent dangereux entre les mains d'utilisateurs inexpérimentés.
- Entretien des outils électriques. Vérifier si les pièces mobiles sont mal alignées ou coincées, si des pièces sont brisées ou présentent toute autre condition susceptible de nuire au bon fonctionnement de l'outil électrique. En cas de dommage, faire réparer l'outil électrique avant toute nouvelle utilisation.** Beaucoup d'accidents sont causés par des outils électriques mal entretenus.
- S'assurer que les outils de coupe sont aiguisés et propres.** Les outils de coupe bien entretenus et affûtés sont moins susceptibles de se coincer et sont plus faciles à maîtriser.
- Utiliser l'outil électrique, les accessoires, les forets, etc. conformément aux présentes directives en tenant compte des conditions de travail et du travail à effectuer.** L'utilisation d'un outil électrique pour toute opération autre que celle pour laquelle il a été conçu est dangereuse.
- Garder vos mains et les surfaces d'emprise sèches, propres et libres de graisse et de poussière.** Les mains et les surfaces de prise glissante ne permettent pas la manutention et le contrôle sécuritaires de l'outil dans les situations imprévues.

5) Utilisation et entretien du bloc-piles

- Ne recharger l'outil qu'au moyen du chargeur précisé par le fabricant.** L'utilisation d'un chargeur qui convient à un type de bloc-piles risque de provoquer un incendie s'il est utilisé avec un autre type de bloc-piles.
- Utiliser les outils électriques uniquement avec les blocs-piles conçus à cet effet.** L'utilisation de tout autre bloc-piles risque de causer des blessures ou un incendie.
- Lorsque le bloc-piles n'est pas utilisé, le tenir éloigné des objets métalliques, notamment des trombones, de la monnaie, des clés, des clous, des vis ou autres petits objets métalliques qui peuvent établir une connexion entre les deux bornes.** Le court-circuit des bornes du bloc-piles risque de provoquer des brûlures ou un incendie.
- En cas d'utilisation abusive, le liquide peut gicler hors du bloc-piles; éviter tout contact avec ce liquide. Si un contact accidentel se produit, laver à grande eau. Si le liquide entre en contact avec les yeux, obtenir également des soins médicaux.** Le liquide qui gicle hors du bloc-piles peut provoquer des irritations ou des brûlures.
- Ne pas utiliser un bloc-piles ou un outil qui est endommagé ou qui a été modifié.** Les piles endommagées ou modifiées peuvent avoir un comportement imprévisible entraînant un incendie, une explosion ou un risque de blessure.
- Ne pas exposer le bloc-piles ou l'outil au feu ou à une température excessive.** L'exposition au feu ou à une température au-dessus de 129 °C (265 °F) pourrait entraîner une explosion.
- Suivez les instructions de recharge et ne pas recharger le bloc-piles ou l'outil hors de la plage de températures indiquée dans les instructions.** Recharger le bloc-piles de façon inappropriée ou hors des températures de la plage indiquée pourrait endommager et augmenter le risque d'incendie.

6) Réparation

- Faire réparer l'outil électrique par un réparateur professionnel en n'utilisant que des pièces de rechange identiques.** Cela permettra de maintenir une utilisation sécuritaire de l'outil électrique.
- Ne jamais réparer de bloc-piles endommagé.** La réparation de blocs-piles ne devrait seulement être effectuée par le fabricant ou les fournisseurs de service autorisé.


Consignes de sécurité pour les bancs de scie

1) Avertissements concernant les garde protectrices

- Conservez les gardes en place.** Les gardes doivent être en bon état, être bien installés, et fonctionnels. Si une garde est lâche, endommagée ou ne fonctionne pas comme elle devrait, elle devra être réparée ou remplacée.
- Toujours mettre en place le protège-lame, le couteau diviseur et les cliquets antiretour pour chaque opération de coupe part-en-part.** Pour les opérations de coupe part-en-part, (lorsque la scie traverse complètement l'épaisseur de la pièce) le protège-lame et les autres dispositifs de sécurité permettent de réduire le risque d'accidents.
- Remettez immédiatement le système de protection après avoir terminé une opération (comme le refeuillement, l'embrèvement ou la refente) qui nécessite le retrait du protecteur, du couteau diviseur et/ou du dispositif anti-rebond.** Le protège-lame et le dispositif antiretour protègent contre les accidents.

- d) **Assurez-vous que la lame de scie ne fait pas contact avec le protège-lame, le couteau diviseur ou la pièce de travail avant de mettre la scie en marche.** Le contact inopportun de ces articles avec la lame causerait une situation dangereuse.
- e) **Ajuster le couteau diviseur comme décrit dans le présent manuel d'instruction.** Un écartement, positionnement ou alignement incorrect pourrait rendre le couteau diviseur inefficace à la prévention de la force de retour.
- f) **Pour que le couteau diviseur et les cliquets anti-retour fonctionnent adéquatement, ils doivent être engagés dans la pièce de travail.** Le couteau diviseur et les cliquets antiretour ne sont pas efficaces lors de la coupe de pièces qui sont trop courtes pour s'engager dans le couteau diviseur et les cliquets anti-retour. Dans ces conditions, le recul intempestif ne peut pas être prévenu par le couteau diviseur et les cliquets antiretour.
- g) **Se servir de la lame de scie adéquate pour le couteau diviseur utilisé.** Pour un bon fonctionnement du couteau diviseur, le diamètre de la lame doit correspondre au couteau diviseur, et la lame de scie doit être plus mince que l'épaisseur du couteau et le trait de scie doit être plus large que l'épaisseur du couteau.

2) Avertissements pour les procédures de coupe

- a)  **DANGER : Ne jamais placer vos doigts ou mains près ou dans le chemin de la lame de scie.** Un moment d'inattention ou un glissement pourrait diriger vos mains vers la lame et vous blesser gravement.
- b) **Seulement pousser la pièce de travail sur la scie en sens contraire de sa rotation.** Alimenter la pièce de travail dans le sens de rotation de la lame sur la table pourrait entraîner l'avancement de la pièce et de vos mains sur la lame.
- c) **Ne jamais utiliser le rapporteur d'angle pour pousser la pièce sur le couteau et ne pas utiliser le guide de coupe comme butée d'arrêt longitudinale lors de coupe transversale en angle.** Guider la pièce de travail avec le guide de coupe et le rapporteur d'angle en même temps augmenterait le risque de coincement de la lame et du recul intempestif de la pièce.
- d) **Pour les coupes longitudinales, toujours forcer la pièce de travail entre le guide et la lame de scie.** Lorsque la distance entre le guide et la scie est de moins de 150 mm (5,9 po), servez-vous d'un bâton-poussoir, et lorsque la distance est inférieure à 50 mm (2 po), servez-vous d'un bloc-poussoir. Les moyens d'assistance au travail garderont vos mains à une distance sécuritaire de la lame.
- e) **N'utiliser que le bâton-poussoir fourni ou un bâton fabriqué selon les mesures données.** Ce bâton procure la distance suffisante entre la main et la lame.
- f) **Ne jamais utiliser de bâton-poussoir endommagé ou qui a été coupé par la lame.** Un bâton-poussoir pourrait se briser causant le glissement de votre main sur la lame.
- g) **Ne faire aucun travail à main levée. Toujours utiliser soit le guide de coupe ou le rapporteur d'angle pour positionner et guider la pièce de travail. Travail à main levée signifie vous servir de vos mains pour soutenir ou guider la pièce de travail au lieu du guide de coupe ou du rapporteur d'angle.** Les coupes à main levée sont sujettes à un mauvais alignement, au coincement et au recul intempestif de la pièce.
- h) **Ne jamais étendre vos mains/bras/corps près ou par-dessus la lame lorsqu'elle tourne.** Étendre toute partie de votre corps de l'autre côté de la scie pourrait entraîner un contact accidentel sur la lame.
- i) **Pour les pièces de travail longues et/ou larges, procurer un soutien auxiliaire de la pièce à l'arrière et/ou sur les côtés de la table pour garder la pièce au niveau.** Les pièces longues et/ou larges ont tendance à pivoter sur le bord de la table, pouvant causer la perte de contrôle, le coincement de la lame et le recul intempestif de la pièce.
- j) **Alimenter la pièce de travail à une cadence régulière. Ne pas plier ou vriller la pièce de travail. Si un blocage se produit, arrêter l'outil sur le champ, débrancher sa fiche de la prise murale avant de dégager le blocage.** Le blocage de la lame par la pièce de travail peut résulter en un recul intempestif ou le blocage du moteur.
- k) **Ne pas retirer les pièces de matériel coupées lorsque la scie est en marche. Le matériel pourrait rester pris sur le guide ou à l'intérieur du protège-lame et attirer vos mains sur la lame.** Arrêtez la scie et attendez que la lame cesse de tourner avant de retirer le matériel.
- l) **Pour la coupe longitudinale de pièces de travail de moins de 2 mm (0,08 po) d'épaisseur, utilisez un guide auxiliaire placé sur le dessus de la table.** Une pièce de travail mince pourrait se coincer sous le guide de coupe et causer un recul intempestif.

3) Avertissements de causes de recul intempestif et autres dangers

Le recul intempestif est une réaction soudaine de la pièce de travail dû à un pincement ou à un blocage de la lame de scie ou un mauvais alignement de la ligne de coupe de la pièce de travail par rapport à la lame, ou lorsqu'une partie de la pièce de travail se coince entre la lame et le guide de coupe ou tout autre objet fixe.

Lors de recul intempestif, il se produit fréquemment que la pièce de travail est soulevée de la table par l'arrière de la lame et projetée vers l'opérateur.

Le recul intempestif est le résultat d'une mauvaise utilisation de la scie et/ou de procédures, ou de conditions de fonctionnement incorrectes, et il peut être évité en prenant les précautions appropriées définies ci-dessous.


- a) **Ne jamais se tenir dans l'axe de la lame de scie. Toujours vous positionner sur le même côté que le guide de coupe de la scie.** Le recul intempestif pourrait projeter la pièce de travail à grande vitesse vers quiconque se tenant sur le devant, en ligne avec la lame de scie.

- b) **Ne jamais vous étirer par-dessus ou vers l'arrière de la lame de scie pour soutenir la pièce de travail.** Un contact accidentel avec la lame de scie pourrait survenir ou un recul intempestif pourrait faire glisser votre main sur la lame de scie.
- c) **Ne jamais maintenir et presser la pièce de travail coupée contre la lame en rotation.** Ceci créerait une condition de coincement et de recul intempestif.
- d) **Alignez le guide de coupe pour qu'il soit parallèle à la lame.** Un guide de coupe non parallèle ferait pincer la pièce de travail contre la lame de scie et causerait un recul intempestif.
- e) **Utilisez un guide de pression pour orienter la pièce de travail contre la table et le guide lorsque vous effectuez des coupes non traversantes comme le refeuillement, l'embrèvement ou la refente.** Un guide de pression aide au contrôle de la pièce de travail en cas de recul intempestif.
- f) **Soyez très prudent lorsque vous effectuez une coupe dans les zones cachées des pièces de travail assemblées.** La lame de la scie qui dépasse peut couper des objets qui peuvent causer un rebond.
- g) **Pour minimiser le risque de pincement de la lame de scie et de recul intempestif de panneaux de grande dimensions, les supporter adéquatement autour du banc de scie. Les panneaux de grandes dimensions ont tendance à s'affaisser sous leur propre poids.** Des supports doivent être placés sous toutes les parties du panneau dépassant le dessus de la table.
- h) **Lors de coupe d'une pièce vrillée, tordue, comprenant des nœuds ou qui n'a pas d'arête droite pour la guider sur un guide de coupe ou un rapporteur d'angle faire preuve de prudence supplémentaire.** Une telle pièce est instable et cause une déviation du trait de scie qui produit le coincement sur la lame et le recul intempestif de la pièce.
- i) **Ne jamais couper plusieurs pièces empilées.** Dans ce cas, la lame de scie pourrait soulever une ou plusieurs pièces et causer un recul intempestif.
- j) **Lors du redémarrage de la scie avec la lame dans une pièce de travail, centrez la lame dans le trait de scie de sorte que les dents de scie ne sont pas engagées dans le matériel.** Si la lame de scie se coince, elle pourrait soulever la pièce de travail et causer un retour intempestif lors du redémarrage de la scie.
- k) **Gardez les lames de scie propres, bien aiguisées et avec suffisamment de jeu.** Ne jamais utiliser de lame tordue, fissurée ou dont il manque des dents de scie. Les lames de scie adéquatement aiguisées et montées avec suffisamment de jeu minimisent les pincements, blocages et reculs intempestifs.

4) Procédures de fonctionnement du banc de scie (avertissements)

- a) **Éteignez la scie de table et déconnectez le bloc-piles lorsque vous retirez plaque amovible, changez la lame de la scie ou lorsque vous effectuez des ajustements au couteau diviseur, aux cliquets anti-rebond ou au protecteur de la lame de la scie et lorsque vous laissez la machine sans surveillance.** Ces mesures de précaution préviendront les accidents :
- b) **Ne jamais laisser la scie en marche sans surveillance. Coupez le contact et ne pas quitter les lieux avant que l'a scie ne soit complètement arrêtée.** Une scie en marche sans surveillance constitue une source de danger non contrôlée.
- c) **Placez le banc de scie dans un endroit bien éclairé et de niveau, où vous pouvez garder un pied ferme et un bon équilibre. Il devrait être placé dans un endroit procurant suffisamment d'espace pour manipuler facilement les pièces à travailler.** Les lieux sombres et encombrés et les planchers inégaux et glissants invitent les accidents.
- d) **Nettoyez fréquemment le bran de scie, le balayer hors du dessous de la table et vidanger le son dispositif de collecte (le cas échéant).** Le bran de scie empilé est inflammable et pourrait s'auto-allumer.
- e) **Le banc de scie doit être bien fixé de façon sûre.** Un banc de scie qui n'est pas fixé solidement pourrait se déplacer ou basculer.
- f) **Avant de mettre la scie en marche, retirez les outils, et pièces de rebut qui s'y trouvent.** Une distraction ou un blocage potentiel peuvent être dangereux.
- g) **Toujours utiliser une lame de scie à trou d'arbre de bon diamètre ou forme (rond ou losange).** Les lames qui ne correspondent pas à la quincaillerie de montage seront décentrées causant la perte de contrôle du travail.
- h) **Ne jamais utiliser une lame de scie de mauvais type de montage tel brides, rondelles, boulons ou écrous, ou qui est endommagée.** Ces articles de montage ont été conçus spécialement pour votre scie pour un fonctionnement sécuritaire et une performance optimale.
- i) **Ne jamais monter debout sur le banc de scie; ne pas s'en servir comme marche-pied.** Des blessures graves pourraient vous être infligées si la table bascule ou si vous venez en contact avec l'outil de coupe.
- j) **Assurez-vous que la lame est installée dans le bon sens de rotation. Ne pas utiliser de meule, brosse métallique, disque abrasif.** Une lame mal installée ou l'emploi d'accessoire non recommandé pourrait causer des blessures graves.

Règles de sécurité additionnelles relatives aux scies de table

-  **AVERTISSEMENT :** la découpe de plastique, de bois recouvert de sève et d'autres matériaux peut provoquer l'accumulation de matière fondue sur les pointes et le corps de la lame de scie, augmentant ainsi le risque de surchauffe de la lame et de grippage durant la découpe.
- **ÉVITER LES POSITIONS INSTABLES,** qui pourraient provoquer une chute soudaine et risquer de mettre la lame en contact avec la main.

- Ne pas tenter d'éliminer des matériaux à proximité de la lame de la scie de table alors qu'elle tourne.
- **NE JAMAIS UTILISER LA MAIN POUR MAINTENIR LA PIÈCE DE TRAVAIL**, que ce soit derrière ou autour de l'organe de coupe.
- **ÉLOIGNER LES BRAS, MAINS ET DOIGTS** de la lame pour prévenir tout dommage corporel grave.
- **UTILISER UN POUSSOIR DE FIN DE PASSE APPROPRIÉ À L'APPLICATION EN COURS POUR POUSSER LA PIÈCE VERS LA SCIE.** Un poussoir de fin de passe est un morceau de bois ou de plastique, souvent fait maison, qui devrait être utilisé chaque fois que la taille ou la forme de la pièce à travailler obligerait les mains de s'approcher à moins de 152 mm (6 po) de la lame.
- **UTILISER SUPPORTS, DISPOSITIFS DE FIXATION OU PEIGNES POUR GUIDER ET CONTRÔLER LA PIÈCE À TRAVAILER.** Les accessoires recommandés pour cet outil sont vendus séparément chez les distributeurs locaux ou dans les centers de réparation agréés. Des instructions pour créer : poussoir de fin de passe, guide longitudinal auxiliaire étroit, bloc-poussoir et peignes, sont incluses dans ce manuel.
- **N'EFFECTUER AUCUNE COUPE LONGITUDINALE, TRANSVERSALE OU TOUTE AUTRE OPÉRATION À LA MAIN.**
- **NE JAMAIS passer les mains autour ou par-dessus la lame alors qu'elle tourne.**
- **STABILITÉ.** S'assurer que la scie de table est fermement arrimée à une surface stable, et complètement immobilisée avant toute utilisation.
- **LA SCIE DE TABLE DEVRAIT ÊTRE INSTALLÉE UNIQUEMENT SUR UNE SURFACE PLANE ET STABLE.** L'aire de travail devrait être exempte de toute obstruction et de tout danger de chute. Aucun matériau ou outil ne devrait reposer sur la scie.
- **NE JAMAIS DÉCOUPER DE MÉTAUX, CIMENT OU MAÇONNERIE.** Certains matériaux synthétiques doivent être découpés avec des scies de table en suivant des instructions particulières. Suivre systématiquement les recommandations du fabricant pour prévenir tout risque de dommages corporels et matériels.
- Ne pas installer de lame diamant pour maçonnerie sur la scie de table et tenter de l'utiliser comme une scie à eau.
- **UNE PLAQUE DE LUMIÈRE APPROPRIÉE DOIT ÊTRE SYSTÉMATIQUEMENT VERROUILLÉE EN PLACE** pour réduire tout risque d'éjection de pièce et de dommages corporels.
- **LORS DE LA MANIPULATION DE LAMES, PORTEZ DES GANTS.**
- **SE SERVIR DE LA LAME DE SCIE ADÉQUATE POUR L'APPLICATION PRÉVUE.** La rotation de la lame doit se faire vers l'avant de la scie. Serrer fermement l'écrou d'arbre de lame. Avant toute utilisation, vérifier que la lame ne comporte aucune fente, ou dents manquantes. Ne pas utiliser de lame endommagée ou émoussée.
- **NE JAMAIS TENTER DE LIBÉRER UNE LAME BLOQUÉE AVANT D'AVOIR ARRÊTÉ LA SCIE ET RETIRÉ LE BLOC-PILES.** Si un morceau ou un rebut restait coincé dans le dispositif du carter de lame, arrêter la scie, et attendre l'arrêt complet de la lame, avant de soulever le dispositif de carter de lame et de retirer le morceau coincé.
- **NE JAMAIS REMETTRE LA MACHINE EN MARCHÉ** alors que la pièce à travailler se trouve contre la lame pour réduire tout risque d'expulsion de la pièce et de dommages corporels.
- **NE JAMAIS LAISSER AUCUNE PARTIE DU CORPS ENTRER DANS LE SILLAGE DE LA LAME,** car il y a risques de dommages corporels. Se placer d'un côté ou de l'autre de la lame.
- **NE JAMAIS EFFECTUER DE MISE EN PLACE, MONTAGE OU CONFIGURATION sur la table/l'aire de travail alors que la machine tourne.** Un dérapage soudain pourrait causer un contact involontaire entre la lame et les mains. Cela pose des risques de dommages corporels graves.
- **NE JAMAIS EFFECTUER DE RÉGLAGES ALORS QUE LA SCIE TOURNE,** comme le repositionnement ou retrait du guide, le réglage du verrouillage de biseau ou le réglage de la hauteur de lame.
- **NETTOYER LA TABLE/L'ESPACE DE TRAVAIL AVANT DE LAISSER LA MACHINE.** Verrouiller l'interrupteur en position « OFF » (arrêt) et retirer le bloc-piles pour prévenir toute utilisation non autorisée.
- Verrouiller **SYSTÉMATIQUEMENT** le guide ou le réglage de biseau avant toute coupe.
- **ÉVITER L'ÉCHAUFFEMENT DES DENTS DE SCIE.** Conservez un avancement stable de la pièce en parallèle au guide. Ne pas forcer le matériel sur la lame.
- **POUR LA COUPE DE MATÉRIAUX PLASTIQUES, ÉVITEZ DE FONDRE LE MATÉRIEL.**
- **NE PAS laisser une longue planche (ou toute autre pièce similaire) non soutenue, car l'effet de ressort de la planche pourrait la faire glisser de la table et causer perte de contrôle du matériel et dommages corporels.** Fournir un support adéquat à la pièce à travailler compte tenu de sa taille et du type d'opération à effectuer. Maintenir fermement la pièce à travailler contre le guide et à plat sur la surface de la table.
- **Si la scie fait un bruit inhabituel ou vibre excessivement, arrêter aussitôt toute opération, arrêter l'outil et retirer son bloc-piles jusqu'à ce que le problème ait été identifié et corrigé.** Si le problème persiste, contacter un center de réparation d'usine DeWALT, un center de réparation agréé DeWALT ou tout autre personnel de réparation qualifié.
- **NE PAS UTILISER CETTE MACHINE** tant qu'elle n'est pas complètement assemblée et installée, conformément aux instructions données. Une machine incorrectement assemblée pose des risques de dommages corporels graves.
- **NE JAMAIS** tenter de couper un amas de morceaux de matériaux, car il y a risques de perte de contrôle ou rebonds. Soutenir soigneusement tout matériau.
- **NE JAMAIS UTILISER LA COUPE CONIQUE.**
- **NE PAS ENTREPOSER CET OUTIL AVEC SON BLOC-PILES INSTALLÉ.** Envisager toute éventualité pour prévenir la mise en marche accidentelle de la scie.
- **NE PAS TRANSPORTER CET OUTIL AVEC SON BLOC-PILES INSTALLÉ.**
- **DES INFORMATIONS COMPLÉMENTAIRES** sur la sécurité et l'utilisation correcte des outils électriques (ex. : vidéo sécurité) sont à votre disposition auprès du Power Tool Institute (l'Institut des Outils Électriques), 1300 Sumner Avenue, Cleveland, OH 44115-2851 (www.powertoolinstitute.com). Des informations sont aussi à votre disposition auprès du National

Safety Council (Conseil National de la Sécurité), 1121 Spring Lake Drive, Itasca, IL 60143-3201. Se reporter aux normes OSHA 1910.213 du Département du Travail Américain.



AVERTISSEMENT : PORTER SYSTÉMATIQUEMENT des lunettes de protection.

Les lunettes courantes NE sont PAS des lunettes de protection. Utiliser aussi un écran facial ou un masque antipoussières si la découpe doit en produire beaucoup. **PORTER SYSTÉMATIQUEMENT UN ÉQUIPEMENT DE SÉCURITÉ HOMOLOGUÉ :**

- Protection oculaire ANSI Z87.1 (CAN/CSA Z94.3);
- Protection auditive ANSI S12.6 (S3.19);
- Protection des voies respiratoires NIOSH/OSHA/MSHA.



AVERTISSEMENT : certains outils électriques, tels que les sableuses, les scies, les meules, les perceuses ou autres outils de construction peuvent produire des poussières contenant des produits chimiques reconnus par l'état californien pour causer cancers, malformations congénitales ou être nocifs au système reproducteur. Parmi ces produits chimiques, on retrouve :

- le plomb dans les peintures à base de plomb;
- la silice cristallisée dans les briques et le ciment ou autres articles de maçonnerie; et
- l'arsenic et le chrome dans le bois ayant subi un traitement chimique.

Le risque associé à de telles expositions varie selon la fréquence à laquelle on effectue ces travaux. Pour réduire toute exposition à ces produits, travailler dans un endroit bien aéré, en utilisant le matériel de sécurité conforme, tel un masque anti-poussières spécialement conçu pour filtrer les particules microscopiques.

- **Limiter toute exposition prolongée aux poussières provenant du ponçage, sciage, meulage, perçage ou toute autre activité de construction. Porter des vêtements de protection et nettoyer à l'eau savonneuse les parties du corps exposées.** Le fait de laisser la poussière pénétrer dans la bouche, les yeux ou la peau peut favoriser l'absorption de produits chimiques dangereux.



AVERTISSEMENT : cet outil peut produire et/ou répandre de la poussière susceptible de causer des dommages sérieux et permanents au système respiratoire ou d'autres dommages corporels. Lors de l'exposition aux poussières, utiliser systématiquement un appareil de protection des voies respiratoires homologué par NIOSH ou OSHA. Diriger les particules à l'opposé du visage et du corps.

AVIS : suite à certaines conditions d'utilisation, comme l'utilisation longue durée dans des milieux à humidité moindre, la coupe de certains matériaux comme le vinyle, des charges électrostatiques pourront s'accumuler sur les portions métalliques de la scie. Toucher ces parties métalliques pourra libérer ces charges électrostatiques et causer une décharge électrique brève et légère, mais sans danger. Cependant, en cas de doutes à ce propos, rapporter la scie dans un center de réparation DeWALT pour une inspection gratuite et vérifier que la scie n'est affectée d'aucun dysfonctionnement électrique.

L'étiquette apposée sur votre outil peut inclure les symboles suivants. Les symboles et leur définition sont indiqués ci-après :

V	volts	W	watts
Hz	hertz	~ or AC.....	courant alternatif
min	minutes	⎓ or AC/DC.....	courant alternatif ou continu
— or DC.....	courant continu	⊠.....	fabrication classe I (double isolation)
Ⓢ.....	fabrication classe I (mis à la terre)	no	vitesse à vide
... /min.....	par minute	n	vitesse nominale
BPM	batttements par minute	⊕.....	borne de terre
IPM	impacts par minute	⚠.....	symbole d'avertissement
RPM	revolutions per minute	⚠.....	radiation visible
sfpn	pieds linéaires par minute (plpm)	☁.....	protection respiratoire
SPM (FPM).....	fréquence par minute	👁.....	protection oculaire
A	ampères	👂.....	protection auditive

BLOCS-PILES ET CHARGEURS

Le bloc-piles n'est pas totalement chargé d'usine. Avant d'utiliser le bloc-piles et le chargeur, lire les consignes de sécurité ci-après puis suivre la procédure de chargement indiquée. Pour commander un bloc-piles de rechange, s'assurer d'en inclure le numéro de catalogue et la tension.

Cet outil fonctionne avec un chargeur DeWALT. S'assurer de bien lire toutes les consignes de sécurité avant toute utilisation du chargeur. Consulter le tableau en fin de manuel pour connaître les compatibilités entre chargeurs et blocs-piles.

LIRE TOUTES LES CONSIGNES

Consignes importantes de sécurité les blocs-piles



AVERTISSEMENT : lire toutes les instructions et toutes les consignes de sécurité propres au bloc-piles, au chargeur et à l'outil électrique. **Tout manquement aux avertissements et instructions pose des risques de décharges électriques, d'incendie et/ou de blessures graves.**

- **Ne pas recharger ou utiliser un bloc-piles en milieu déflagrant, en présence, par exemple, de poussières, gaz ou liquides inflammables.** Le fait d'insérer ou retirer un bloc-piles de son chargeur pourrait causer l'inflammation de poussières ou d'émanations.
- **NE JAMAIS forcer l'insertion d'un bloc-piles dans un chargeur. NE modifier un bloc-piles d'AUCUNE façon pour le faire rentrer dans un chargeur incompatible, car il pourrait se briser et causer des dommages corporels graves.** Consulter le tableau en dernière page de ce manuel pour connaître les compatibilités entre chargeurs et blocs-piles.
- Recharger les blocs-piles exclusivement dans des chargeurs DeWALT.

- **NE PAS** élabousser le bloc-piles ou l'immerger dans l'eau ou dans tout autre liquide.
- **Ne pas entreposer ou utiliser l'appareil et le bloc-piles en présence de températures ambiantes pouvant excéder 40 °C (104 °F) (comme dans des hangars ou des bâtiments métalliques l'été).** Pour préserver leur durée de vie, entreposer les blocs-piles dans un endroit frais et sec.

REMARQUE : ne pas mettre un bloc-piles dans un outil dont la gâchette est verrouillée en position de marche. Ne jamais bloquer l'interrupteur en position de MARCHÉ.

- **Ne pas exposer le bloc-piles ou l'outil/l'appareil au feu ou à une température excessive.** L'exposition au feu ou à une température au-dessus de 130°C (265°F) pourrait entraîner une explosion.
- **Ne pas incinérer le bloc-piles même s'il est sévèrement endommagé ou complètement usagé, car il pourrait exploser et causer un incendie.** Pendant l'incinération des blocs-piles au lithium-ion, des vapeurs et matières toxiques sont dégagées.
- **En cas de contact du liquide de la pile avec la peau, rincer immédiatement au savon doux et à l'eau.** En cas de contact oculaire, rincer l'œil ouvert à l'eau claire une quinzaine de minutes ou jusqu'à ce que l'irritation cesse. Si des soins médicaux s'avéraient nécessaires, noter que l'électrolyte de la pile est composé d'un mélange de carbonates organiques liquides et de sels de lithium.
- **Le contenu des cellules d'une pile ouverte peut causer une irritation respiratoire.** En cas d'inhalation, exposer l'individu à l'air libre. Si les symptômes persistent, consulter un médecin.

AVERTISSEMENT : risques de brûlure. Le liquide de la pile peut s'enflammer s'il est exposé à des étincelles ou à une flamme.

AVERTISSEMENT : risques d'incendie. Ne jamais tenter d'ouvrir le bloc-piles pour quelque raison que ce soit. Si le boîtier du bloc-piles est fissuré ou endommagé, ne pas l'insérer dans un chargeur. Ne pas écraser, laisser tomber, ou endommager les blocs-piles. Ne pas utiliser un bloc-piles ou un chargeur qui a reçu un choc violent, ou si l'appareil est tombé, a été écrasé ou endommagé de quelque façon que ce soit (p. ex. percé par un clou, frappé d'un coup de marteau, piétiné). Les blocs-piles endommagés doivent être renvoyés à un center de réparation pour y être recyclés.

Transport

AVERTISSEMENT : risques d'incendie. Au moment de ranger ou transporter le bloc-piles, veiller à protéger ses bornes à découvert de tout objet métallique. Par exemple, éviter de placer le bloc-piles dans un tablier, une poche, une boîte à outils ou un tiroir, etc. contenant des objets tels que clous, vis, clés, etc. **Le fait de transporter des blocs-piles comporte des risques d'incendie, car les bornes des piles pourraient entrer, par inadvertance, en contact avec des objets conducteurs, tels que : clés, pièces de monnaie, outils ou autres.** La réglementation sur les produits dangereux (Hazardous Material Regulations) du département américain des transports interdit, en fait, le transport des blocs-piles dans les commerces ou dans les avions dans les bagages de cabine, À MOINS qu'ils ne soient correctement protégés de tout court-circuit. Aussi lors du transport individuel de blocs-piles, s'assurer que leurs bornes sont bien protégées et isolées de tout matériau pouvant entrer en contact avec elles et provoquer un court-circuit. **REMARQUE :** il ne faut pas laisser de piles au lithium-ion dans les bagages enregistrés.

Expédition du bloc-piles DeWALT FLEXVOLT^{MC}

Le bloc-piles DeWALT FLEXVOLT^{MC} possède deux modes : **Utilisation et Expédition.**

Mode Utilisation : lorsque le bloc-piles FLEXVOLT^{MC} est par lui-même ou dans un produit DeWALT 20 v max*, il fonctionnera comme un bloc-piles de 20 v max*. Lorsque le bloc-piles FLEXVOLT^{MC} est dans un produit de 60 v max* ou 120 v max* (deux blocs-piles de 60 v max*), il fonctionnera comme un bloc-piles de 60 v max*.

Mode Expédition : lorsque le capuchon est inséré sur le bloc-piles FLEXVOLT^{MC}, le bloc-piles est en mode Expédition. Les modules de cellules sont électriquement déconnectés du bloc le faisant correspondre à trois blocs-piles d'un wattheure (Wh) inférieur comparé à un bloc-piles de wattheure élevé. Ce passage à trois blocs-piles à un wattheure inférieur peut permettre au bloc-piles d'être exempté de suivre certaines directives d'expédition imposées sur les blocs-piles de wattheure supérieur.

L'étiquette du bloc-piles donne deux estimations de wattheures (se reporter à l'exemple). Selon comment le bloc-piles est expédié, l'estimation appropriée de wattheure doit être utilisée pour déterminer les modalités d'expédition lui correspondant. Si le capuchon d'expédition est utilisé, le bloc-piles sera considéré comme 3 blocs-piles au wattheure indiqué pour « Expédition ». S'il est expédié sans le capuchon ou dans un outil, le bloc-piles sera considéré comme un seul bloc-piles au wattheure indiqué à côté de « Utilisation ».

exemple d'étiquetage d'utilisation et d'expédition

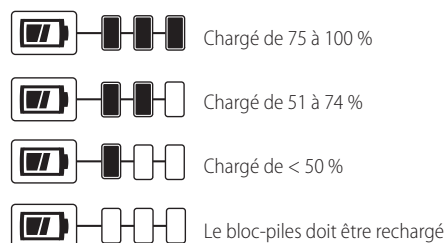
USE: 120 Wh Shipping: 3 x 40 Wh

Le Wh de transport indique 3 x 40 Wh, ce qui correspond à 3 blocs-piles de 40 wattheures chacun. L'utilisation du wattheure indique 120 wattheures (sous-entendu 1 bloc-piles).

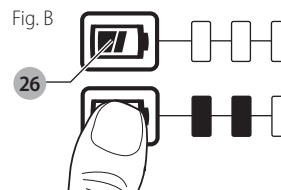
Témoin de Charge du Bloc-Piles (Fig. B)

Certains blocs-piles DeWALT possèdent un témoin de charge qui consiste en trois voyants Del verts indiquant le niveau de charge du bloc-piles.

Le témoin de charge indique approximativement le niveau de charge restant dans le bloc-piles en fonction des voyants suivants :



Pour activer le témoin de charge, maintenez appuyé le bouton du témoin de charge **26**. Une combinaison des trois voyants Del verts s'allumera indiquant le niveau de charge. Lorsque le niveau de charge du bloc-pile atteint la limite minimale d'utilisation, le témoin de charge reste éteint et le bloc-piles doit être rechargé.



REMARQUE : le témoin de charge ne fait qu'indiquer le niveau de charge du bloc-piles. Il ne donne aucune indication quant au fonctionnement de l'outil. Son propre fonctionnement pourra aussi varier en fonction des composants produit, de la température et de l'application d'utilisation.

Pour plus d'informations quant au témoin de charge du bloc-piles, veuillez appeler le 1-800-4-DeWALT (1-800-433-9258) ou vous rendre sur notre site www.dewalt.com.

Le sceau SRPRC[®]

Le sceau SRPRC[®] (Société de recyclage des piles rechargeables du Canada) apposé sur une pile au nickel-cadmium, à hydrure métallique de nickel ou au lithium-ion (ou un bloc-piles) indique que les coûts de recyclage de ces derniers en fin d'utilisation ont déjà été réglés par DeWALT. Dans certaines régions, la mise au rebut ou aux ordures municipales des piles au nickel-cadmium, à l'hydrure métallique de nickel ou au lithium-ion, est illégale ; le programme de l'Appel à Recycler[®] constitue donc une solution pratique et écologique.

Appel à Recycler Canada, Inc., en collaboration avec DeWALT et d'autres utilisateurs de piles, a mis sur pied de programme aux États-Unis et au Canada pour faciliter la collecte des piles au nickel-cadmium, à l'hydrure métallique de nickel ou au lithium-ion usagées. Aidez-nous à protéger l'environnement et à conserver nos ressources naturelles en renvoyant les piles au nickel-cadmium, à l'hydrure métallique de nickel ou au lithium-ion usagées à un center de réparation autorisé DeWALT ou chez votre détaillant afin qu'elles y soient recyclées. On peut en outre se renseigner auprès d'un center de recyclage local pour connaître d'autres sites les acceptant. SRPRC[®] est une marque déposée de l'Appel à Recycler Canada, Inc.



Directives de sécurité importantes propres à tous les chargeurs de piles

AVERTISSEMENT : lire toutes les instructions et toutes les consignes de sécurité propres au bloc-piles, au chargeur et à l'outil électrique. Tout manquement aux avertissements et instructions pose des risques de décharges électriques, d'incendie et/ou de blessures graves.

- **NE PAS tenter de charger de bloc-piles avec des chargeurs autres que ceux décrits dans ce manuel.** Le chargeur et son bloc-piles ont été conçus tout spécialement pour fonctionner ensemble.
- **Ces chargeurs n'ont pas été conçus pour une utilisation autre que recharger les blocs-piles rechargeables DeWALT.** Toute autre utilisation comporte des risques d'incendie, de chocs électriques ou d'électrocution.
- **Protéger le chargeur de la pluie ou de la neige.**
- **Tirer sur la fiche plutôt que sur le cordon pour débrancher le chargeur.** Cela permet de réduire les risques d'endommager la fiche ou le cordon d'alimentation.
- **S'assurer que le cordon est protégé de manière à ce que personne ne marche ni ne trébuche dessus, ou à ce qu'il ne soit ni endommagé ni soumis à aucune tension.**
- **N'utiliser une rallonge qu'en cas de nécessité absolue.** L'utilisation d'une rallonge inadéquate comporte des risques d'incendie, de chocs électriques ou d'électrocution.
- **Pour utiliser un chargeur à l'extérieur, le placer dans un endroit sec et utiliser une rallonge conçue pour l'extérieur.** L'utilisation d'une rallonge conçue pour l'extérieur réduit les risques de chocs électriques.
- **Pour la sécurité de l'utilisateur, utiliser une rallonge de calibre adéquat (AWG, American Wire Gauge [calibrage américain normalisé des fils électriques]).** Plus le calibre est petit, et plus sa capacité est grande. Un calibre 16, par exemple, a une capacité supérieure à un calibre 18. L'usage d'une rallonge de calibre insuffisant causera une chute de tension qui entraînera une perte de puissance et surchauffe. Si plus d'une rallonge est utilisée pour obtenir une certaine longueur, s'assurer que chaque rallonge présente au moins le calibre de fil minimum. Le tableau ci-dessous illustre les calibres à utiliser selon la longueur de rallonge et l'intensité nominale indiquée sur la plaque signalétique. En cas de doute, utiliser le calibre suivant. Plus le calibre est petit, plus la rallonge peut supporter de courant.

Calibre minimum pour les cordons d'alimentation

Volts	Longueur totale du cordon d'alimentation en mètre (pieds)				
	120 V	7,6 (25)	15,2 (50)	30,5 (100)	45,7 (150)
240 V	15,2 (50)	30,5 (100)	61,0 (200)	91,4 (300)	
Ampères		AWG			
Plus que	Pas plus que				
0	6	18	16	16	14
6	10	18	16	14	12
10	12	16	16	14	12
12	16	14	12	Non recommandé	

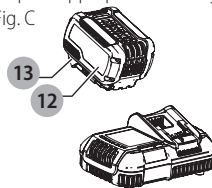
- **Ne poser aucun objet sur le chargeur. Ne pas mettre le chargeur sur une surface molle qui pourrait en bloquer la ventilation et provoquer une surchauffe interne.** Éloigner le chargeur de toute source de chaleur. Le chargeur dispose d'orifices d'aération sur le dessus et le dessous du boîtier.
- **Ne pas le faire fonctionner avec un cordon d'alimentation ou une fiche endommagée.**
- **Ne pas utiliser le chargeur s'il a reçu un coup, fait une chute ou a été endommagé de quelque façon que ce soit.** Le ramener dans un center de réparation agréé.
- **Ne pas démonter le chargeur. Pour tout service ou réparation, le rapporter dans un center de réparation agréé.** Le fait de le réassembler de façon incorrecte comporte des risques de chocs électriques, d'électrocution et d'incendie.
- **Débrancher le chargeur du secteur avant tout entretien. Cela réduira tout risque de chocs électriques.** Le fait de retirer le bloc-piles ne réduira pas ces risques.
- **NE JAMAIS** tenter de connecter 2 chargeurs ensemble.
- **Le chargeur a été conçu pour être alimenté en courant électrique domestique standard de 120 volts. Ne pas tenter de l'utiliser avec toute autre tension.** Cela ne s'applique pas aux chargeurs de postes mobiles.

- ⚠ **AVERTISSEMENT** : risques de chocs électriques. Ne laisser aucun liquide pénétrer dans le chargeur, des chocs électriques pourraient en résulter.
 - ⚠ **AVERTISSEMENT** : risques de brûlure. Ne submerger le bloc-piles dans aucun liquide et le protéger de toute infiltration de liquide. Ne jamais tenter d'ouvrir le bloc-piles pour quelque raison que ce soit. Si le boîtier plastique du bloc-piles est brisé ou fissuré, le retourner dans un center de réparation pour y être recyclé.
 - ⚠ **ATTENTION** : risques de brûlure. Pour réduire tout risque de dommages corporels, ne recharger que des blocs-piles rechargeables DEWALT. Tout autre type de piles pourrait exploser et causer des dommages corporels et matériels.
 - ⚠ **ATTENTION** : après utilisation, ranger le bloc-piles à l'écart de tout objet métallique comme trombones, pièces de monnaie, clés, clous, vis ou autres petits objets susceptibles de conduire l'électricité entre les bornes. Court-circuiter les bornes comporte des risques de brûlures ou d'incendie.
- AVIS** : sous certaines conditions, lorsque le chargeur est connecté au bloc d'alimentation, des matériaux étrangers pourraient court-circuiter le chargeur. Les corps étrangers conducteurs tels que (mais pas limité à) poussières de rectification, débris métalliques, laine d'acier, feuilles d'aluminium, ou toute accumulation de particules métalliques doivent être maintenus à distance des orifices du chargeur. Débrancher systématiquement le chargeur lorsque le bloc-piles n'y est pas inséré. Débrancher systématiquement le chargeur avant tout entretien.

Chargement du bloc-piles (Fig. C)

1. Branchez le chargeur dans la prise appropriée avant d'y insérer le bloc-piles.

Fig. C



2. Insérer le bloc-piles 12 dans le chargeur, en vous assurant qu'il y est correctement calé. Le voyant rouge (charge) clignotera de façon continue indiquant que le cycle de chargement a commencé.
3. En fin de charge, le voyant rouge restera ALLUMÉ de façon continue. Le bloc-piles est alors complètement rechargé et peut être utilisé ou laissé dans le chargeur. Pour retirer le bloc-piles du chargeur, appuyez sur le bouton de libération du bloc-piles 13 sur le bloc-piles.

REMARQUE : pour assurer des performances optimales et une durée de vie maximale des blocs-piles au lithium-ion, recharger pleinement le bloc-piles avant toute utilisation initiale.

Utilisation du chargeur

Reportez-vous aux indications du tableau ci-dessous pour consulter le statut de charge du bloc-piles.

	Bloc-piles en Cours de Chargement		
	Bloc-piles Chargé		
	Suspension de Charge Contre le Chaud/Froid*		

*DCB107, DCB112, DCB113, DCB115, DCB118: le voyant rouge ne cessera de clignoter, mais un voyant jaune restera allumé pendant cette opération. Lorsque le bloc-piles aura repris une température appropriée, le voyant jaune s'éteindra et le chargeur reprendra sa procédure de charge.

Le chargeur ne pourront recharger des blocs-piles défectueux. Le chargeur indiquera qu'un bloc-piles est défectueux en refusant de s'allumer ou en affichant bloc-piles ou chargeur défectueux.

REMARQUE : cela pourra aussi indiquer un problème avec le chargeur.

Si le problème provient du chargeur, faites vérifier le chargeur et le bloc-piles chez un center de réparation agréé.

Fonction de suspension de charge contre le chaud/froid

Lorsque le chargeur détecte un bloc-piles trop chaud ou trop froid, il démarre automatiquement la fonction de suspension de charge contre le chaud, suspendant le chargement jusqu'à ce que le bloc-piles ait repris une température appropriée. Le chargeur ensuite se remettra automatiquement en mode de chargement. Cette caractéristique assure aux blocs-piles une durée de vie maximale.

Un bloc-piles froid se rechargera moins vite qu'un bloc-piles chaud. Le bloc-piles se rechargera à ce rythme plus lent tout au cours du cycle de charge et ne retournera pas à sa vitesse maximale de charge même s'il venait à se réchauffer.

Le chargeur DCB118 est équipé d'un ventilateur interne destiné à refroidir le bloc-piles. Le ventilateur se mettra automatiquement en marche chaque fois que le bloc-piles aura besoin de se refroidir.

N'utilisez jamais le chargeur si le ventilateur ne fonctionne pas correctement ou si ses fentes d'aération sont bloquées. Protégez systématiquement l'intérieur du chargeur de tout objet étranger.

Système de protection électronique

Les appareils au Li-Ion sont équipés d'un système électronique de protection pour protéger les blocs-piles de toute surcharge, surchauffe ou fuite importante.

L'appareil s'arrêtera automatiquement dès que le système électronique de protection sera activé. Si c'était le cas, placez le bloc-piles au lithium-ion sur son chargeur jusqu'à ce qu'il soit complètement rechargé.

Installation murale

DCB107, DCB112, DCB113, DCB115, DCB118

Ces chargeurs ont été conçus pour une installation murale ou pour être posés sur une table ou une surface de travail. Pour une fixation murale, installez le chargeur à proximité d'une prise électrique, et à l'écart de coins ou de toute autre obstruction au passage de l'air. Utilisez l'arrière du chargeur pour marquer l'emplacement des vis de montage sur le mur. Fixez soigneusement le chargeur à l'aide de vis autoforeuses (vendues séparément) d'au moins 25,4 mm (1 po) de long, et de diamètre de tête de 7-9 mm (0,28-0,35 po), que vous visserez dans le bois en laissant une longueur optimale d'environ 5,5 mm (7/32 po) exposée. Alignez les orifices à l'arrière du chargeur sur les vis exposées et insérez à fond ces dernières dans les orifices.

Instructions d'entretien du chargeur

- ⚠ **AVERTISSEMENT** : risques de chocs électriques. Débrancher le chargeur de la prise de courant alternatif avant tout entretien. Éliminer toute saleté ou graisse de la surface externe du chargeur à l'aide d'un chiffon ou d'une brosse non métallique douce. N'utiliser ni eau ni aucun nettoyant liquide.

Remarques importantes concernant le chargement

1. Pour augmenter la durée de vie du bloc-piles et optimiser son rendement, le recharger à une température ambiante de 18 ° à 24 °C (65 °F à 75 °F). NE PAS recharger le bloc-piles à une température inférieure à + 4,5 °C (+ 40 °F) ou supérieure à + 40 °C (+ 104 °F). C'est important pour prévenir tout dommage sérieux au bloc-piles.
2. Le chargeur et son bloc-piles peuvent devenir chauds au toucher pendant la charge. C'est normal et ne représente en aucun cas une défaillance du produit. Pour faciliter le refroidissement du bloc-piles après utilisation, évitez de laisser le chargeur ou le bloc-piles dans un local où la température ambiante est élevée comme dans un hangar métallique ou une remorque non isolée.
3. Si le bloc-piles ne se recharge pas correctement :
 - a. Vérifier le bon fonctionnement de la prise en y branchant une lampe ou tout autre appareil électrique.
 - b. Vérifier que la prise n'est pas contrôlée par un interrupteur qui coupe le courant lorsqu'on éteint les lumières.
 - c. Déplacer le chargeur et le bloc-piles dans un local où la température ambiante se trouve entre environ 18 ° et 24 °C (65 °F et 75 °F).
 - d. Si le problème persiste, amener l'outil, le bloc-piles et son chargeur dans un center de réparation local.
4. Recharger le bloc-piles lorsqu'il ne produit plus assez de puissance pour effectuer un travail qu'il faisait facilement auparavant. NE PAS CONTINUER à l'utiliser dans ces conditions. Suivre la procédure de charge. Si nécessaire, il est aussi possible de recharger un bloc-piles partiellement déchargé sans effet nuisible sur le bloc-piles.
5. Les corps étrangers conducteurs tels que (mais pas limité à) poussières de rectification, débris métalliques, laine d'acier, feuilles d'aluminium, ou toute accumulation de particules métalliques doivent être maintenus à distance des orifices du chargeur. Débrancher

systématiquement le chargeur lorsque le bloc-piles n'y est pas inséré. Débrancher systématiquement le chargeur avant tout entretien.

6. Ne pas congeler ou immerger le chargeur dans l'eau ou tout autre liquide.

Recommandations de stockage

1. Le lieu idéal de rangement est un lieu frais et sec, à l'abri de toute lumière solaire directe et de toute température excessive.
2. Pour un stockage prolongé, il est recommandé d'entreposer le bloc-piles pleinement chargé dans un lieu frais et sec, hors du chargeur pour optimiser les résultats.

REMARQUE : les blocs-piles ne devraient pas être entreposés complètement déchargés. Il sera nécessaire de recharger le bloc-piles avant réutilisation.

CONSERVER CES CONSIGNES POUR UTILISATION ULTÉRIEURE

Caractéristiques techniques

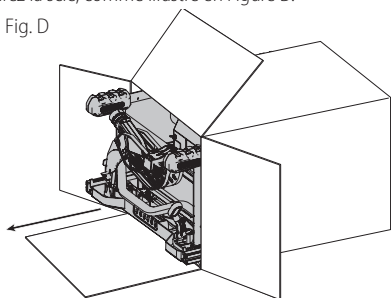
Taille de table	485 x 485 mm (19 x 19 po)
Angle d'onglet	30° gauche et droit
Angle de biseau	-2° et 47° gauche
Taille de lame	210 mm (8-1/4 po)
Prof. de coupe max, biseau 0°	65 mm (2-9/16 po)
Prof. de coupe max, biseau 45°	45 mm (1-3/4 po)
R/min : à vide	5800

Déballage (Fig. D)

AVERTISSEMENT : pour réduire tout risque de dommages corporels, **NE PAS** installer le bloc-piles tant que la scie de table n'a pas été complètement assemblée et tant que vous n'aurez pas lu l'ensemble du guide d'utilisation.

Ouvrez le carton et retirez la scie, comme illustré en Figure D.

Fig. D



Déballer soigneusement la scie de table ainsi que tous les accessoires dans le carton. Examinez l'ensemble pour vous assurer qu'aucune pièce n'a été endommagée pendant le transport. Si une pièce quelconque manquait ou était endommagée, veuillez contacter votre détaillant pour la remplacer avant de commencer à assembler l'outil.

DESCRIPTION (Fig. A)

AVERTISSEMENT : ne jamais modifier l'outil électrique ni aucun de ses composants, car il y a des risques de dommages corporels ou matériels.

Reportez-vous en Figure A au début de ce manuel pour obtenir la liste complète des composants.

USAGE PRÉVU

Cette scie de table a été conçue pour les professionnels de la construction pour la coupe longitudinale, transversale, à onglet, biseauté, et non intégrale du bois, plastique et autres matériaux tendres.

NE PAS l'utiliser pour découper métaux, ciment ou maçonnerie.

NE PAS utiliser de têtes d'organes de coupe à rainurer ou façonner sur cette scie.

NE PAS l'utiliser en milieu ambiant humide ou en présence de liquides ou de gaz inflammables.

NE PAS la laisser à la portée des enfants. Une supervision est nécessaire auprès de tout utilisateur non expérimenté.

MONTAGE

AVERTISSEMENT : risques de chocs électriques. Pour réduire tout risque de dommages corporels graves, arrêter l'outil et déconnecter le bloc-piles avant de le déplacer, changer un accessoire ou effectuer un réglage quelconque. Tout démarrage accidentel comporte des risques de dommages corporels.

Ordre de montage (Fig. A)

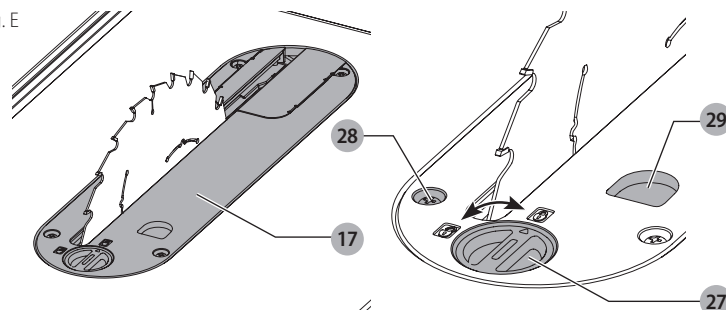
1. Déverrouillez et retirez la plaque de lumière **17**. Reportez-vous à la section : **Retrait de la plaque de lumière**.
2. Assurez-vous que la lame est installée correctement et que l'écrou d'arbre est bien resserré. Utilisez les clés **21** entreposées sur l'outil. Reportez-vous en Figure A.
3. Positionnez le dispositif de carter de lame **11**.
4. Installez le dispositif anti-rebonds **14** sur le dispositif du carter.
5. Installez et verrouillez la plaque de lumière **17**. (REMARQUE : ajuster les vis de réglage avant de continuer. Se reporter à la section : Installation de la plaque de lumière).
6. Installez le guide longitudinal **18**. (REMARQUE : régler l'échelle de coupe avant de continuer. Se reporter à la section : **Réglage de l'échelle de coupe**).

REMARQUE : pour rattacher cette scie de table à un établi, suivre les instructions d'assemblage incluses avec le dispositif de l'établi.

Installation de la plaque de lumière (Fig. E)

1. Alignez la plaque de lumière **17** comme illustré en Figure E, et insérez les languettes à l'arrière de la plaque dans les trous à l'arrière de l'ouverture de la table.
2. Tournez la came vers la gauche jusqu'à ce que l'avant de la plaque de lumière s'encastre en place. Arrimez-la en faisant tourner le bouton de verrouillage de came **27** vers la droite d'un quart de tour (le verrou de came se trouve alors sous la table, immobilisant ainsi la plaque de lumière).
3. La plaque de lumière comprend quatre vis de réglage **28** pour la hausser ou l'abaisser. Lorsqu'elle est ajustée correctement, l'avant de la plaque de lumière se trouve au ras ou légèrement sous la surface de la table, et bien arrimée. L'arrière de la plaque de lumière doit être au ras ou légèrement au-dessus de la surface de la table.

Fig. E



Retrait de la plaque de lumière

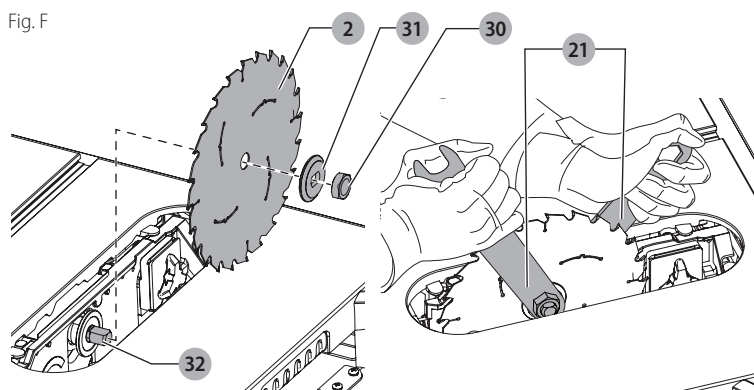
1. Retirez la plaque de lumière **17** en tournant le bouton de verrouillage de came **27** d'un quart de tour vers la gauche.
2. En utilisant le trou passe-doigt **29** sur la plaque, tirez la plaque de lumière vers le haut et l'avant pour exposer l'intérieur de la scie. **N'UTILISEZ PAS** la scie sans sa plaque de lumière.

AVERTISSEMENT : pour réduire tout risque de dommages corporels graves, la plaque de lumière doit être systématiquement verrouillée en place.

Installation/remplacement de la lame (Fig. A, E, F)

1. Relevez l'arbre de lame à sa hauteur maximale en tournant la molette de réglage de hauteur de lame **6** vers la droite.
2. Retirez la plaque de lumière **17**.
3. Retirez l'écrou d'arbre **30** et la rondelle de serrage **31** de l'arbre de scie en tournant vers la gauche.

Fig. F



4. Placez la lame sur l'arbre **32** en vous assurant que les dents de lame **2** sont orientées vers le bas et l'avant de la table. Insérez la rondelle de serrage **31** et l'écrou d'arbre sur l'arbre et resserrez l'écrou d'arbre **30** aussi loin que possible manuellement, en vérifiant bien que la lame se trouve contre la bride interne, et la rondelle de serrage contre la lame. Assurez-vous bien que le diamètre le plus large de la rondelle de serrage se trouve contre la lame. Assurez-vous que l'arbre et la rondelle de serrage sont exempts de poussières et de débris.
5. Utilisez l'extrémité ouverte d'une clé **21** pour empêcher l'arbre de tourner pendant le serrage de l'écrou d'arbre.
6. À l'aide de l'autre clé, resserrez l'écrou d'arbre **30** en tournant vers la droite.
7. **REMARQUE :** différents types de lames produisent différents traits de scie (largeur de coupe). Aussi, il est nécessaire de vérifier le réglage de l'échelle de coupe lorsqu'on change de lame. Toute nouvelle lame installée ne DOIT pas excéder l'épaisseur indiquée sur le couteau diviseur. Le couteau diviseur fourni avec la scie a une épaisseur de 1,6 mm (0,087 po).

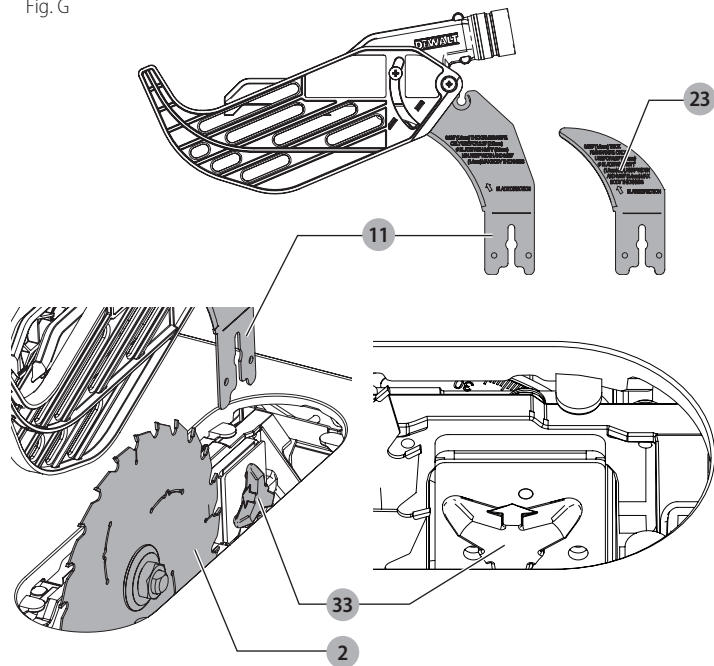
Installation/retrait du dispositif de carter de lame et du couteau diviseur (Fig. G)

AVERTISSEMENT : utiliser le dispositif de carter de lame pour toute coupe intégrale.

REMARQUE : la scie vient avec un couteau diviseur pour coupe non intégrale installé.

1. Relevez l'arbre de lame à sa hauteur maximale.
2. Desserrez le bouton de verrouillage du couteau diviseur **33** (minimum de trois tours).

Fig. G



3. Pour désengager la goupille de sécurité du couteau diviseur, poussez le bouton de verrouillage vers le couteau diviseur comme indiqué par les flèches sur le bouton.
4. Tout en continuant de pousser le bouton de verrouillage, sortez le couteau diviseur de sa fixation puis insérez à fond le dispositif de carter de lame sur la fixation.

AVERTISSEMENT : ne pas insérer le dispositif de carter de lame et le couteau diviseur en même temps sur la fixation.

5. Libérez le bouton de verrouillage pour activer la goupille de sécurité. Repoussez légèrement le carter de lame vers le haut pour vous assurer que la goupille est bien activée.
6. Resserrez le bouton de verrouillage du couteau diviseur.
7. Réinstallez la plaque de lumière.
8. Pour retirer le dispositif de carter de lame, suivez ces étapes en sens inverse.

REMARQUE : suivez la même procédure que ci-dessus pour installer le couteau diviseur.

AVERTISSEMENT : avant d'installer le bloc-piles sur la scie de table ou d'utiliser celle-ci, inspecter systématiquement l'alignement du dispositif de carter de lame et du couteau diviseur ainsi que l'espacement avec la lame. Vérifier l'alignement après chaque changement d'angle de biseau.

REMARQUE : NE PAS utiliser la scie si la goupille de sécurité du couteau diviseur n'est pas verrouillée dans le carter de lame ou le couteau diviseur.

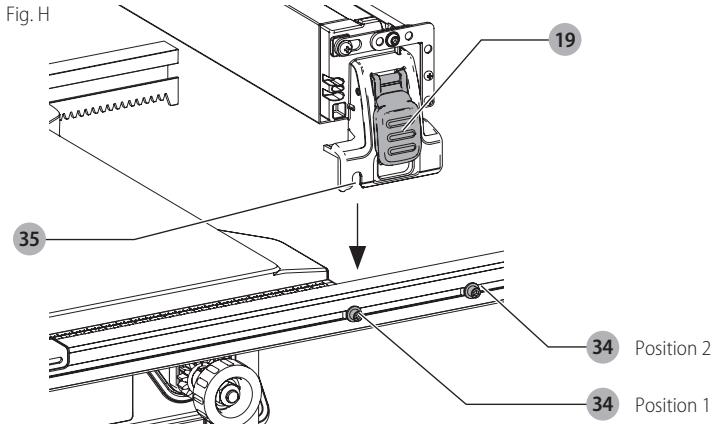
L'alignement sera correctement réalisé, lorsque le couteau diviseur sera aligné avec la lame à la fois au niveau supérieur de la table et au sommet de la lame. À l'aide d'un guide de chant, assurez-vous que la lame 2 est alignée avec le couteau diviseur 23. Alors que la scie est hors alimentation, faites passer les réglages d'inclinaison et de hauteur de lame d'un extrême à l'autre, et assurez-vous que le dispositif de carter de lame ne touche pas la lame pendant l'ensemble de l'opération, et que le dispositif anti-rebonds fonctionne correctement.

Installation du guide longitudinal (Fig. H)

Le guide longitudinal peut être installé sur deux positions à droite (position 1 pour coupes longitudinales de 0 à 20 po, et position 2 pour coupes longitudinales de 4 à 24 po), et une position à gauche de la scie de table.

1. Alignez les goupilles de positionnement 34 des barres de guidage sur les encoches 35 à l'extrémité de chaque guide.
2. Posez le guide sur la barre, comme illustré en Figure H, en maintenant l'alignement des goupilles et des encoches à l'extrémité de chaque guide.
3. Arrimez le guide longitudinal en enclenchant les verrous 19 sur les barres de guidage. Assurez-vous de bien enclencher les deux verrous, avant et arrière.

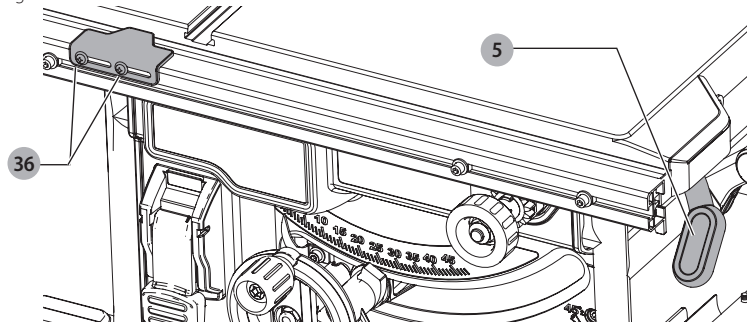
Fig. H



Réglage de l'échelle de coupe (Fig. I)

1. Déverrouillez le levier de verrouillage de rail 5.
2. Réglez la lame sur le biseau 0° et déplacez le guide vers l'intérieur jusqu'à ce qu'il touche la lame.
3. Refermez le levier de verrouillage de rail.
4. Desserrez les vis de l'indicateur d'échelle de coupe 36 et réglez l'indicateur d'échelle de coupe sur zéro 0. Resserrez les vis de l'indicateur d'échelle de coupe. La lecture de l'échelle de coupe jaune (supérieure) est valide seulement lorsque le guide est installé à droite de la lame et sur la position 1 (coupe longitudinale de 0 à 20 po, et non sur la position de 24 po). La lecture de l'échelle de coupe blanche (inférieure) est valide seulement lorsque le guide est installé à droite de la lame et sur la position 2 (coupe longitudinale de 4 à 24 po). Des échelles métriques sont vendues séparément, reportez-vous à la section Accessoires pour plus de détails.

Fig. I



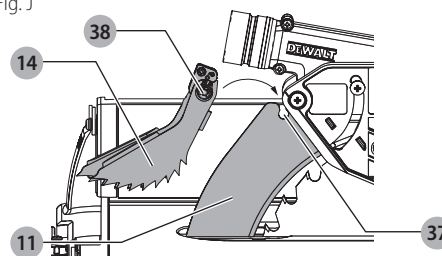
Dispositif anti-rebonds (Fig. J)

AVERTISSEMENT : pour réduire tout risque de dommages corporels graves, le dispositif anti-rebonds doit être installé pour toutes les coupes où c'est possible.

1. Retirez le dispositif anti-rebonds 14 de sa position de stockage en poussant sur la goupille. Reportez-vous à la section **Stockage**.
2. Repérez le trou de fixation du dispositif anti-rebonds 37 sur la partie arrière supérieure du dispositif de carter de lame 11.
3. Alignez la goupille 38 sur le trou de fixation. Poussez sur la goupille et appuyez à fond sur le dispositif anti-rebonds 14 jusqu'à ce qu'il s'encastre et soit verrouillé en place.
4. Pour retirer le dispositif anti-rebonds, poussez sur la goupille et tirez-le vers le haut hors du trou de fixation.

Alors que le bloc-piles est retiré, faites passer les réglages d'inclinaison et de hauteur de lame d'un extrême à l'autre, et assurez-vous que le dispositif de carter de lame ne touche pas la lame pendant l'ensemble de l'opération, et que le dispositif anti-rebonds fonctionne correctement.

Fig. J



Installation sur établi (Fig. A)

REMARQUE : des socles portatifs de scie de table conçus pour être utilisés avec cette scie sont vendus séparément chez votre distributeur ou centre de réparation DeWALT local.

AVERTISSEMENT : pour réduire tout risque de dommages corporels graves, arrêter l'outil et retirer le bloc-piles avant tout réglage ou avant de retirer ou installer toute pièce ou tout accessoire. Tout démarrage accidentel comporte des risques de dommages corporels.

AVERTISSEMENT : pour réduire tout risque de dommages corporels, la scie doit être soigneusement arrimée pour prévenir tout mouvement intempestif pendant l'utilisation.

La scie de table doit être solidement fixé sur un socle, établi ou tout autre support rigide et stable, de façon à ce qu'elle ne se déplace pas lors de la coupe et ne soit pas renversée par de larges matériaux en porte-à-faux. Il y a quatre trous de fixation 9 sur le châssis métallique pour permettre d'arrimer soigneusement la scie de table à un socle ou tout autre support.

1. Centrez la scie comme désiré sur une surface portante stable.
2. Insérez quatre longues vis de 88,9 mm (3-1/2 po) dans les trous 9 du châssis métallique. Assurez-vous que les vis dépassent assez du châssis pour arrimer soigneusement la scie à la surface portante.
- REMARQUE :** si l'on veut éviter de rayer la surface portante, la scie de table peut être montée sur un rebut de bois qui pourra lui-même être ancré à la surface portante désirée.
3. Coupez un morceau de contreplaqué de 19 mm (3/4 po) que vous placerez sous le châssis de la scie.
4. Vissez la scie au contreplaqué et arrimez la partie du contreplaqué dépassant à la surface portante. Si les vis dépassent de la surface du contreplaqué, posez-le sur deux rebuts d'un matériau d'épaisseur égale et fixez-les sur les bords du contreplaqué pour maintenir la scie au-dessus de la surface portante et éviter que les vis ne rayent la surface.

ASSEMBLAGE ET AJUSTEMENTS

⚠ AVERTISSEMENT : pour réduire le risque de blessures graves, éteindre l'outil et retirer le bloc-piles avant d'effectuer tout réglage et d'enlever ou d'installer tout accessoire. Un démarrage accidentel peut provoquer des blessures.

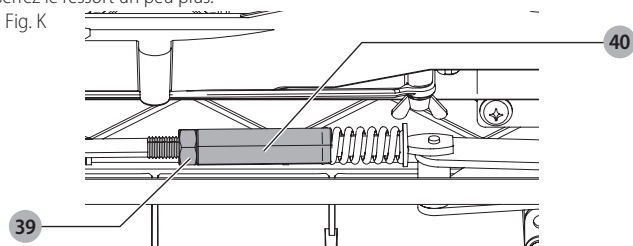
REMARQUE : cette scie a été parfaitement et précisément réglée en usine au moment de sa fabrication. Si en raison du transport, de la manutention, ou pour toute autre raison, un ajustement s'avérait nécessaire, suivre les instructions ci-après pour régler votre scie. Une fois effectués, ces réglages devraient demeurer corrects. Prenez, dès à présent, un minimum de temps pour suivre soigneusement ces directives pour maintenir la précision dont cette scie est capable.

Réglage du verrouillage de rail (Fig. I, K)

(Resserrage du dispositif de verrouillage de guide)

1. Verrouillez le levier de verrouillage de rail **5**.
2. Sur l'envers de la scie, desserrez le contre-écrou **39**.
3. Resserrez la tige hexagonale **40** jusqu'à ce que le ressort du système de verrouillage soit plus comprimé (mais pas complètement) pour créer la tension désirée sur le levier de verrouillage de rail. Resserrez le contre-écrou sur la tige hexagonale.
4. Vérifiez que le guide reste fixe lorsque le levier de verrouillage est activé. Si ce n'est pas le cas, resserrez le ressort un peu plus.

Fig. K



Réglage de l'échelle de coupe

Reportez-vous à la section Réglage de l'échelle de coupe sous Montage.

Réglage de l'alignement de lame (Fig. L)

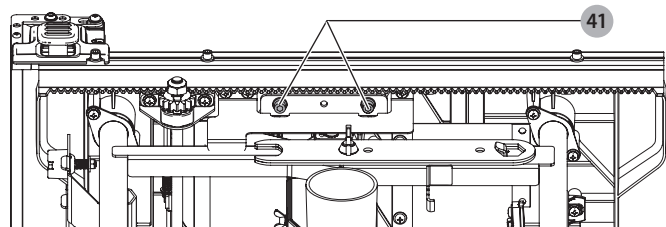
(Lame parallèle à la fente d'onglet)

⚠ AVERTISSEMENT : risques de coupure. Vérifier la lame à 0° et 45° pour s'assurer que la lame ne rentre pas en contact avec la plaque de lumière et cause des dommages corporels.

Si la lame ne semble plus alignée avec la fente d'onglet sur le dessus de la table, il faudra effectuer un recalibrage. Pour réaligner la lame et la fente d'onglet, suivez la procédure ci-après :

⚠ AVERTISSEMENT : pour réduire tout risque de dommages corporels graves, arrêter l'outil et retirer le bloc-piles avant tout réglage ou avant de retirer ou installer toute pièce ou tout accessoire. Tout démarrage accidentel comporte des risques de dommages corporels.

Fig. L

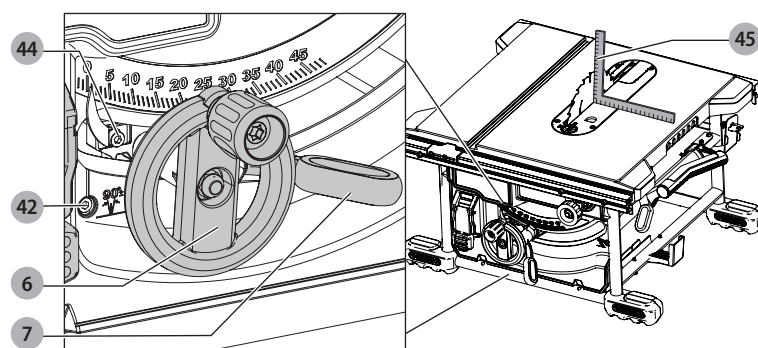


1. À l'aide d'une clé hexagonale de 5 mm, desserrez les fixations du support pivotant arrière **41**, juste assez pour permettre au support d'être déplacé sur le côté.
2. Ajustez le support pour que la lame soit parallèle à la fente de guide d'onglet.
3. Resserrez les fixations du support pivotant arrière de 12,5 à 13,6 Nm (110 à 120 pi lb.)

Réglage de la butée et de l'indicateur de biseau (Fig. M)

1. Élevez complètement la lame en tournant au maximum la molette de hauteur de lame **6** vers la droite.
2. Déverrouillez le levier de verrouillage de biseau **7** en le poussant vers le haut et la droite. Dévissez la vis de butée de biseau **42**.
3. Disposez une équerre **45** à plat contre la table et contre la lame entre les dents, comme illustré en Figure M. Assurez-vous que le levier de verrouillage de rail est levé, c'est-à-dire déverrouillé.
4. À l'aide du levier de verrouillage de biseau, ajustez l'angle de biseau jusqu'à ce qu'il soit à plat contre l'équerre.
5. Verrouillez le levier de verrouillage de biseau en le rabattant.
6. Tournez la vis de butée de biseau **42** pour tourner la came jusqu'à obtenir un contact ferme avec le corps de palier. Revissez la vis de butée de biseau **42**.
7. Vérifiez l'échelle d'angle de biseau. Si l'indicateur n'est pas sur 0°, desserrez la vis de l'indicateur **44** et ajustez l'indicateur sur le bon angle. Resserrez la vis de l'indicateur.
8. Répétez à 45°, mais sans ajuster l'indicateur.

Fig. M

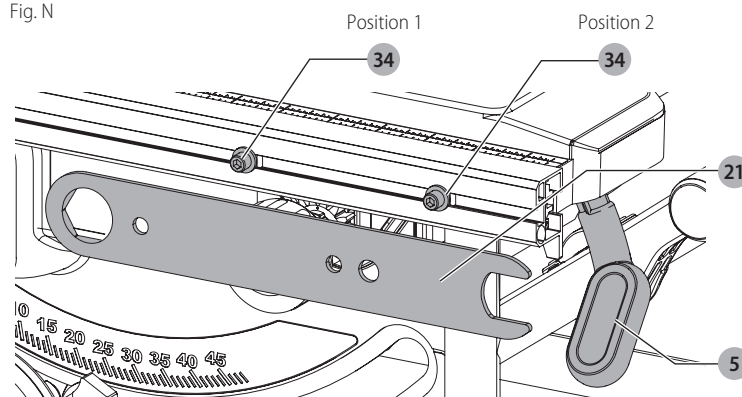


Réglage de l'alignement du guide (Fig. H, N)

(Lame parallèle au guide)

En cas de problème avec l'alignement du guide, et s'il s'avère nécessaire de redresser le parallélisme entre le guide et la lame, assurez-vous de vérifier d'abord l'alignement de la lame et de la fente d'onglet. Une fois que ces derniers sont alignés, effectuez l'alignement entre la lame et le guide de la façon suivante :

Fig. N



Position 1 d'alignement de guide

1. Installez le guide en position 1 (reportez-vous à la Figure H) puis déverrouillez le levier de verrouillage de rail **5**. Situez les deux goupilles de positionnement **34** qui retiennent le guide à l'avant et à l'arrière des barres de guidage.
2. Dévissez la vis de la goupille de positionnement arrière et ajustez l'alignement du guide dans la rainure jusqu'à ce que la face du guide soit parallèle à la lame. Assurez-vous de bien vérifier l'alignement de la face de guide avec l'avant et l'arrière de la lame.
3. Resserrez la vis de la goupille de positionnement.
4. Vérifiez le réglage de l'indicateur d'échelle de coupe.

REMARQUE : suivre les instructions de la section Position 1 d'alignement du guide pour aligner le guide sur le côté gauche de la lame.

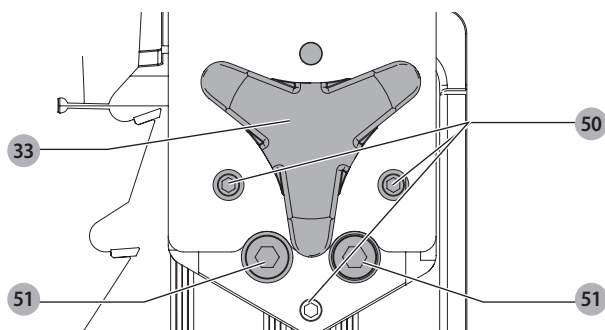
Position 2 d'alignement de guide

1. Pour aligner les goupilles de positionnement de guide en position 2, assurez-vous que les goupilles de positionnement de position 1 sont bien alignées, puis reportez-vous à la section Position 1 d'alignement de guide.
2. Desserrez les goupilles de positionnement de position 2, puis en utilisant les trous de la clé pour lame **21** comme guide de positionnement, alignez les goupilles (fig. N).
3. Resserrez les goupilles de positionnement (avant et arrière).

Alignement du couteau diviseur et de la lame (Fig. O)

1. Retirez la plaque de lumière. Reportez-vous à la section Retrait de la plaque de lumière sous Montage.
2. Ajustez la lame à la profondeur de coupe maximale pour un angle de biseau de 0°.
3. Repérez les trois petites vis de pression **50** près du bouton de verrouillage du couteau diviseur **33**. Ces vis seront utilisées pour ajuster la position du couteau diviseur.
4. Posez un guide de chant sur la table contre deux pointes de lame. Le couteau diviseur ne devrait pas toucher le guide de chant.
5. Si nécessaire, dévissez les deux larges vis de blocage **51**.
6. Utilisez les petites vis de pression **50** pour ajuster la position du couteau diviseur. Posez le guide de chant à l'opposé sur la lame et répétez l'ajustement si nécessaire.
7. Vissez légèrement les deux larges vis de blocage **51**.
8. Disposez une équerre contre le couteau diviseur pour vérifier qu'il est bien vertical et aligné avec la lame.
9. Si nécessaire, utilisez les vis de pression pour aligner verticalement le couteau diviseur avec l'équerre.
10. Répétez l'étape 4 pour vérifier la position du couteau diviseur. Répétez les étapes 5 à 9 le cas échéant.
11. Vissez à fond les deux larges vis de blocage **51**.

Fig. O



Lames de scie

AVERTISSEMENT : pour fonctionner correctement, les couteaux diviseurs doivent cadrer avec les dimensions de la lame. Se reporter aux sections **Couteau séparateur et Couteau diviseur**. Utiliser exclusivement des lames de 210 mm (8-1/4 po) de diamètre sur cette scie de table.

- La lame fournie avec votre nouvelle scie est une lame mixte de 210 mm (8-1/4 po), utilisée pour la coupe transversale (contre le grain), la coupe longitudinale (dans le sens du grain) et intégrale du matériau. Le trou central d'alésage est de 16 mm (5/8 po) de diamètre. Cette lame produira une coupe de bonne qualité pour la plupart des applications.
- Il existe de nombreux types de lames disponibles pour faire des travaux spécifiques ou spéciaux comme : uniquement la coupe transversale ou la coupe longitudinale, la coupe biconcave, pour le contreplaqué fin, le panneautage, etc.
- Utilisez seulement des lames conçues pour fonctionner en toute sécurité à des vitesses de 6 000 r/min ou plus.
- Maintenez systématiquement les lames bien aiguisées. Il est recommandé de repérer un aiguiseur de bonne réputation près de chez vous pour affûter vos lames chaque fois que nécessaire.
- N'empilez jamais vos lames les unes sur les autres. Séparez-les avec du carton, ou autre, pour prévenir tout contact entre les lames.

AVERTISSEMENT : pour réduire tout risque de dommages corporels, les meules ou lames abrasives (y compris diamant) ne doivent pas être utilisées avec cette scie.

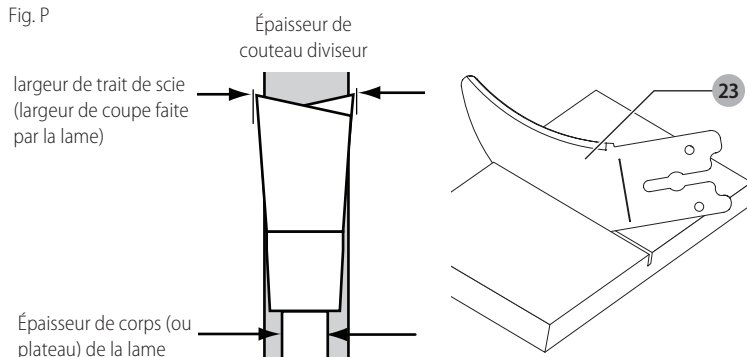
Sélection du couteau séparateur et couteau diviseur (Fig. P)

AVERTISSEMENT : pour minimiser tout risque de rebonds et assurer une coupe adéquate, le couteau séparateur et le couteau diviseur doivent avoir l'épaisseur adaptée à la lame utilisée.

Le couteau séparateur et le couteau diviseur fournis avec cette scie de table sont adaptés à la lame fournie avec la scie.

Si une lame différente est utilisée, vérifiez l'épaisseur du corps de lame (plateau) et la largeur de trait de scie (coupe) imprimées sur la lame ou l'emballage de lame. L'épaisseur du couteau séparateur et celle du couteau diviseur doivent être supérieures à l'épaisseur du corps de lame et inférieures à la largeur du trait de scie, comme illustré en Figure P.

Fig. P



Le couteau diviseur fourni avec la scie comporte les inscriptions suivantes :

ÉPAISSEUR DE COUTEAU DIVISEUR : 1,6 mm (0,063 po). À UTILISER EXCLUSIVEMENT AVEC DES LAMES DE 210 mm (8 ¼ po) D'UNE LARGEUR DE TRAIT DE SCIE DE 1,8 mm (0,071 po) ET D'UNE ÉPAISSEUR DE CORPS MAXIMUM DE 1,4 mm (0,055 po).

Les dimensions d'épaisseur de corps de lame et de largeur de traits de scie pour toutes les lames de scie de table DeWALT sont disponibles sur le site www.dewalt.com.

Si une lame différente est utilisée et que les dimensions d'épaisseur de corps et de largeur de trait de scie ne sont pas disponibles, utilisez la procédure suivante pour déterminer l'épaisseur correcte de couteau diviseur :

1. Mesurez l'épaisseur de corps de la lame.
2. Effectuez une petite entaille dans un rebut en bois et mesurez l'épaisseur de trait de scie.
3. Prenez le couteau diviseur **23**.
4. Insérez le couteau diviseur dans l'entaille faite à l'étape 2 pour vérifier que vous avez choisi le couteau diviseur adéquat. Le couteau diviseur ne devrait ni rester coincé ni être freiné dans l'entaille.

AVERTISSEMENT : si l'on rencontre un grippage ou un freinage alors que le matériau rencontre le couteau diviseur, arrêter l'appareil et retirer le bloc-piles. Répéter les étapes 1 à 4 pour sélectionner le couteau diviseur adéquat avant de tenter toute nouvelle coupe.

Rebonds

Les rebonds sont dangereux ! Ils sont causés par une pièce qui s'agrippe à la lame. Le résultat en est que la pièce peut rapidement être éjectée dans la direction opposée à l'avance de coupe. Pendant un rebond, la pièce peut être projetée sur l'utilisateur. Ils peuvent aussi entraîner la main de l'utilisateur sur le chemin de scie si celle-ci est située derrière la lame. En cas de rebond, arrêtez la scie et vérifiez le fonctionnement du couteau diviseur, du dispositif anti-rebonds, et du dispositif de carter de lame avant de continuer à travailler.

AVERTISSEMENT : se reporter à la section **Règles de sécurité additionnelles propres aux scies de table** et suivre toutes directives relatives aux **REBONDS**.

UTILISATION

AVERTISSEMENT : pour réduire le risque de blessures graves, éteindre l'outil et retirer le bloc-piles avant d'effectuer tout réglage et d'enlever ou d'installer tout accessoire. Un démarrage accidentel peut provoquer des blessures.

AVERTISSEMENT : avant toute utilisation de la scie, vérifier systématiquement les éléments suivants :

- Porter **SYSTÉMATIQUEMENT** un équipement de protection oculaire, auditif et respiratoire adéquat.
- La lame est soigneusement resserrée.
- Les leviers de verrouillage de rail et d'angle de biseau sont verrouillés.
- En cas de coupes longitudinales, s'assurer que le levier de verrouillage de guide longitudinal est verrouillé et que le guide est parallèle à la lame.
- En cas de coupes transversales, s'assurer que le bouton de guide d'onglet est soigneusement resserré.
- Le dispositif de carter de lame est correctement rattaché et le dispositif anti-rebonds fonctionne correctement.
- Inspecter **SYSTÉMATIQUEMENT** l'alignement et le bon fonctionnement du dispositif de carter de lame et du couteau diviseur ainsi que l'espacement avec la lame.
- S'assurer **SYSTÉMATIQUEMENT** que les deux dispositifs de protection sont abaissés et en contact avec la table avant toute utilisation.

AVERTISSEMENT : pour réduire tout risque de dommages corporels graves, avoir le poussoir de fin de passe à portée de main avant de commencer à scier.

Tout manquement à ces consignes de sécurité fondamentales augmente grandement les risques de dommages corporels.

AVERTISSEMENT : avant d'installer le bloc-piles sur la scie de table ou d'utiliser celle-ci, inspecter systématiquement le bon fonctionnement et l'alignement du dispositif de carter de lame et du couteau diviseur ainsi que l'espacement avec la lame.

AVERTISSEMENT : la coupe longitudinale ou transversale peut faire basculer la scie en cours d'utilisation. S'assurer que la scie est solidement fixée à une surface stable.

AVERTISSEMENT : ne jamais utiliser ensemble le guide et le guide d'onglet. Cela pourrait causer des rebonds et entraîner des dommages corporels.

ATTENTION : si la scie fait un bruit inhabituel ou vibre excessivement, arrêter aussitôt toute opération, arrêter l'outil et retirer son bloc-piles jusqu'à ce que le problème ait été identifié et corrigé. Si le problème persiste, contacter un centre de réparation d'usine DeWALT, un centre de réparation agréé DeWALT ou tout autre personnel de réparation qualifié.

AVERTISSEMENT : une plaque de lumière appropriée doit être systématiquement installée pour réduire tout risque d'éjection de pièce et de dommages corporels.

Il existe deux types principaux de coupe avec cette scie de table : la coupe longitudinale et la coupe transversale. Peu importe le matériau, bois naturel ou préfabriqué, la distinction entre la coupe longitudinale et la coupe transversale est la suivante : la coupe longitudinale correspond à réduire la largeur (en général dans le fil du bois), et la coupe transversale correspond à réduire la longueur du matériau (en général contre le fil).

AVERTISSEMENT : lors d'une coupe longitudinale, utiliser systématiquement le guide pour guider le matériau et le dispositif de carter de lame pour se protéger des rebonds.

AVERTISSEMENT : ne jamais effectuer de coupe à main levée. Ne jamais effectuer de coupe en plongée.

AVERTISSEMENT : lors de coupes transversales, utiliser systématiquement le guide d'onglet. Ne jamais utiliser le guide longitudinal et le guide d'onglet ensemble.

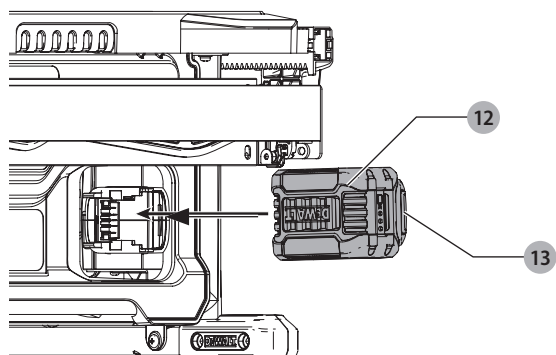
Installation et retrait du bloc-piles (Fig. Q)

REMARQUE : pour optimiser les résultats, s'assurer que le bloc-piles est complètement chargé.

Pour installer le bloc-piles **12** dans l'outil, alignez le bloc-piles sur les rails dans l'outil et faites-le glisser fermement en place puis vérifiez qu'il ne s'en détachera pas.

Pour retirer le bloc-piles de l'outil, poussez sur le bouton de libération **13** et tirez fermement le bloc-piles hors de l'outil. Insérez-le dans son chargeur comme décrit dans la section appropriée de ce guide d'utilisation.

Fig. Q



Utilisation de l'interrupteur Marche-Arrêt (Fig. R)

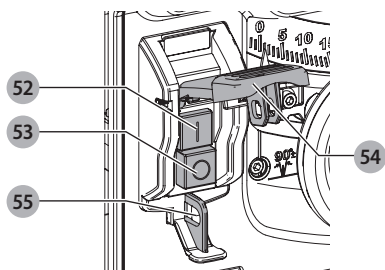
AVERTISSEMENT : pour réduire tout risque de dommages corporels, s'assurer que l'interrupteur est en position d'arrêt avant d'insérer un bloc-piles.

Soulevez la manette rouge et poussez le bouton vert **52** pour mettre la scie en marche. Poussez le bouton rouge **53** ou abaissez la manette rouge **54** pour arrêter la scie.

Verrouillage de la scie

L'interrupteur marche-arrêt peut être verrouillé pour prévenir toute opération non autorisée de la scie. Pour verrouiller l'interrupteur en position d'arrêt, insérez un cadenas dans la manette rouge et le trou de verrouillage **55** pour verrouiller la scie à l'arrêt. Le cadenas ne devrait pas excéder 6,35 mm (1/4 po) de diamètre.

Fig. R



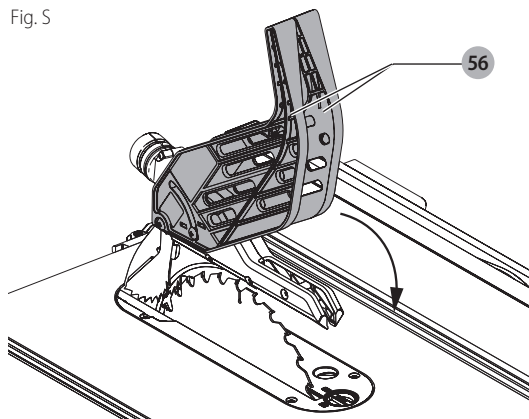
Fonctionnalité du dispositif de protection (Fig. S)

AVERTISSEMENT : pour réduire tout risque de dommages corporels graves, arrêter l'outil et retirer le bloc-piles avant tout réglage ou avant de retirer ou installer toute pièce ou tout accessoire. Tout démarrage accidentel comporte des risques de dommages corporels.

1. En position verticale, les bras du dispositif de protection **56** seront verrouillés.
2. Cette fonctionnalité augmente la visibilité pour mesurer la distance entre la lame et le guide.
3. Abaissez le(s) dispositif(s), et ils se déverrouilleront pour permettre l'utilisation de la scie.

REMARQUE : tirer sur le dispositif anti-rebonds pour s'assurer qu'il est bien verrouillé en place. S'assurer **SYSTÉMATIQUEMENT** que les deux dispositifs de protection sont abaissés et en contact avec la table avant toute utilisation.

Fig. S



Utilisation du guide longitudinal (Fig. A, T)

Levier de verrouillage de rail (Fig. A)

Le levier de verrouillage de rail **5** verrouille le guide en place pour prévenir tout mouvement pendant la coupe. Pour verrouiller le levier de verrouillage de rail, rabattez-le vers l'arrière de la scie. Pour le déverrouiller, tirez-le vers le haut et l'avant de la scie.

AVERTISSEMENT : lors d'une coupe longitudinale, verrouiller systématiquement le levier de verrouillage de rail.

Support télescopique/guide longitudinal étroit (Fig. T)

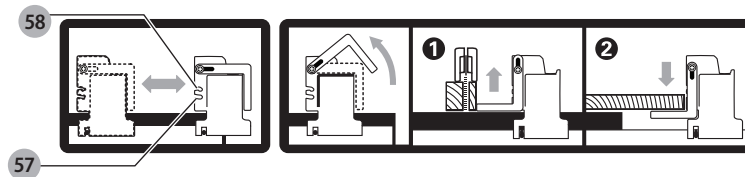
Votre scie de table est équipée d'un guide longitudinal étroit qui peut aussi soutenir toute pièce qui dépasserait de la table de scie.

Pour utiliser le guide longitudinal étroit en position de support d'ouvrage, faites-le sortir de son logement, comme illustré en Figure T, et poussez les goupilles sur l'ensemble des orifices inférieurs **57** à chaque extrémité du guide.

Pour utiliser le guide longitudinal étroit en position de coupe longitudinale étroite, enclenchez les goupilles sur l'ensemble des orifices supérieurs **58** à chaque extrémité du guide.

Cette fonctionnalité offrira un espacement supplémentaire de 51 mm (2 po) à la lame. Reportez-vous à la Figure T.

Fig. T



REMARQUE : après utilisation, entreposer le guide longitudinal étroit dans son logement.

REMARQUE : ce guide permet au dispositif de protection de rester sur la scie pour effectuer des coupes longitudinales étroites. Ce guide laissera suffisamment d'espace pour utiliser un pousoir de fin de passe.

Bouton de réglage de précision (Fig. A)

Le bouton de réglage de précision **4** permet d'effectuer des réglages de précision sur le guide. Avant le réglage, assurez-vous que le levier de verrouillage de rail est levé, c'est-à-dire déverrouillé.

Indicateur d'échelle de coupe

L'indicateur d'échelle de coupe devra être réajusté pour le fonctionnement correct du guide longitudinal chaque fois que l'utilisateur passera d'une lame à trait fin à une lame à trait épais. La lecture de l'indicateur d'échelle de coupe sera correcte uniquement en position 1 (de 0-24 po). Cependant en position 1 avec un guide longitudinal étroit, rajoutez 51 mm (2 po). Reportez-vous à la section Réglage de l'échelle de coupe sous Montage.

Opération de coupe part-en-part

AVERTISSEMENT : utilisez l'assemblage protège-lame à chaque fois que vous faites une coupe de part en part.

Coupe longitudinale (Fig. U)

AVERTISSEMENT : ne jamais toucher l'« extrémité libre » de la pièce à travailler ou la « chute » qui est coupée, alors que le moteur est en MARCHE et/ou que la lame est toujours en rotation. Ce morceau pourrait entrer en contact avec la lame et être violemment éjecté, posant ainsi des risques de dommages corporels.

AVERTISSEMENT : utiliser **SYSTÉMATIQUEMENT** un guide longitudinal pour toute coupe longitudinale pour prévenir toute perte de contrôle de la pièce/scie et tout dommage corporel. **NE JAMAIS** effectuer de coupe longitudinale à main levée. Verrouiller **SYSTÉMATIQUEMENT** le guide au rail.

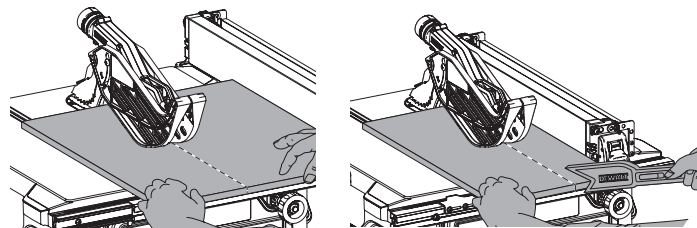
AVERTISSEMENT : pour toute coupe longitudinale biseautée, et chaque fois que possible, disposer le guide sur le côté de la lame de façon à ce qu'elle soit inclinée dans la direction opposée au guide et aux mains.

AVERTISSEMENT : protéger les mains de la lame.

AVERTISSEMENT : utiliser un pousoir de fin de passe pour alimenter la pièce à travailler s'il y a entre 51 et 152 mm (2 et 6 po) entre le guide et la lame. Utiliser un guide longitudinal étroit et un bloc-poussoir pour alimenter la pièce à travailler s'il y a 51 mm (2 po) ou moins entre le guide et la lame.

1. Verrouillez le guide longitudinal en abaissant le levier de verrouillage de rail. Retirez le guide d'onglet.
2. Surélevez la lame pour qu'elle soit à peu près à 3,2 mm (1/8 po) au-dessus de la pièce à machiner.
3. Maintenez la pièce à plat sur la table et contre le guide. Maintenez la pièce à environ 25,4 mm (1 po) de la lame.

Fig. U



AVERTISSEMENT : la pièce à travailler doit avoir un bord droit contre le guide et ne doit être ni gondolée, ni déformée, ni courbe. Protéger les deux mains de la lame et les maintenir à l'écart du chemin de lame. Se reporter à la position adéquate des mains en Figure U.

4. Mettez la scie en marche et laissez la lame prendre de la vitesse. Les deux mains peuvent être utilisées pour commencer la coupe. Lorsqu'il ne reste plus qu'environ 305 mm (12 po) à couper, utilisez une main seulement, en utilisant le pouce pour pousser le matériau, l'index et le doigt suivant pour maintenir le matériau à plat, et les autres doigts sur le guide. Maintenez systématiquement le pouce contre les deux premiers doigts et près du guide.

- Tout en maintenant la pièce contre la table et le guide, alimentez lentement la pièce depuis l'arrière jusque dans la lame. Continuez à pousser jusqu'à ce que la pièce passe de l'autre côté du dispositif de carter de lame et tombe à l'arrière de la table. Ne surchargez pas le moteur.
- Ne tentez jamais de tirer la pièce en arrière quand la lame est en rotation. Arrêtez la machine, laissez la lame s'arrêter complètement, soulevez les dents du dispositif anti-rebonds de chaque côté du couteau diviseur, si nécessaire, et retirez la pièce.
- Utilisez systématiquement un support de travail pour scier de longs morceaux de matériau, ou des panneaux. Un chevalet, une table à rouleaux ou un dispositif de sortie peut offrir un support adéquat. Le support de travail doit être de la même hauteur ou légèrement plus bas que la table de scie.

AVERTISSEMENT : ne jamais pousser ou maintenir l'extrémité « libre » ou « coupée » de la pièce à travailler si elle se trouve entre la lame et le guide.

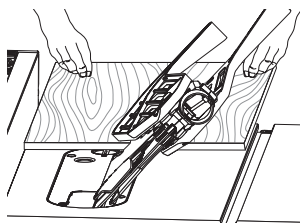
Coupes longitudinales de petites pièces

Il est dangereux de couper longitudinalement de petites pièces. Il est dangereux de laisser les mains s'approcher trop près de la lame. Il est conseillé plutôt de couper une pièce plus large pour obtenir la taille désirée. Lorsqu'une petite largeur doit être découpée et que la main ne peut pas être mise entre la lame et le guide longitudinal sans présenter de risques, utilisez un ou plusieurs poussoirs de fin de passe. Un schéma est inclus en fin de manuel pour fabriquer des poussoirs de fin de passe. Un poussoir de fin de passe **22** est inclus avec cette scie, et est rattaché au guide longitudinal. Utilisez le/les poussoir(s) de fin de passe pour maintenir la pièce contre la table et le guide, et pousser complètement la pièce au-delà de la lame. Le guide longitudinal étroit de cette scie de table peut être utilisé pour effectuer des coupes longitudinales étroites. Il est aussi possible d'utiliser un guide longitudinal étroit auxiliaire. Des instructions pour construire un guide auxiliaire sont fournies en fin de manuel.

Taille en biseau (Fig. V)

Cette opération est identique à une coupe longitudinale sauf que l'angle de biseau est ajusté à un angle autre que zéro. Reportez-vous en Figure V pour la position adéquate des mains.

Fig. V



AVERTISSEMENT : avant d'installer le bloc-piles sur la scie de table ou d'utiliser celle-ci, inspecter systématiquement l'alignement du dispositif de carter de lame et du couteau diviseur ainsi que l'espacement avec la lame. Vérifier l'alignement après chaque changement d'angle de biseau.

Coupe transversale (Fig. W)

AVERTISSEMENT : NE JAMAIS utiliser ensemble le guide longitudinal et le guide d'onglet.

AVERTISSEMENT : NE JAMAIS toucher l'« extrémité libre » de la pièce à travailler ou « chute » qui est coupée, alors que le moteur est en MARCHÉ et/ou que la lame est toujours en rotation. Ce morceau pourrait entrer en contact avec la lame et être violemment éjecté, posant ainsi des risques de dommages corporels.

AVERTISSEMENT : pour réduire tout risque de dommages corporels, NE JAMAIS utiliser le guide en tant que guide ou butée de longueur pour faire des coupes transversales.

AVERTISSEMENT : NE JAMAIS utiliser de butée de longueur sur l'extrémité libre de la pièce lors de coupes transversales. En bref, la chute de toute coupe intégrale (couper une pièce de bout en bout) ne doit jamais être retenue. Elle doit pouvoir s'éloigner de la lame pour prévenir tout contact avec la lame, être violemment rejetée et poser des risques de dommages corporels.

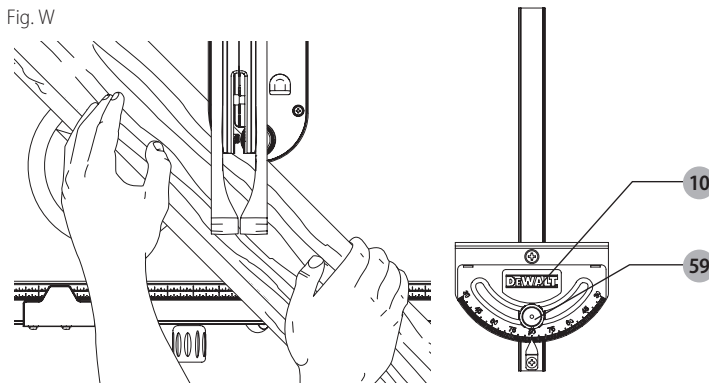
AVERTISSEMENT : prendre des précautions en début de coupe pour prévenir tout grippage du dispositif de carter de lame contre la pièce qui pourrait causer des dommages matériels et corporels.

AVERTISSEMENT : lorsqu'on utilise un bloc comme gabarit de coupe, le bloc doit avoir une épaisseur minimale de 19 mm (3/4 po), et il est très important que l'arrière du bloc soit positionné de façon à ce que la pièce ne touche pas le bloc avant de pénétrer la lame, pour prévenir tout contact avec la lame et empêcher que la pièce ne soit violemment éjectée et pose des risques de dommages corporels.

- Retirez le guide longitudinal et installez le guide d'onglet sur l'emplacement désiré.
- Ajustez la hauteur de lame pour qu'elle soit à environ 3,2 mm (1/8 po) au-dessus de la pièce à travailler.
- Maintenez fermement la pièce contre le guide d'onglet **10** alors que le chemin de lame est aligné avec la position de coupe désirée. Maintenez la pièce à deux centimètres environ de l'avant de la lame. PROTÉGER LES MAINS DE LA LAME ET LES MAINTENIR À L'ÉCART DU CHEMIN DE LAME (Fig. W).
- Mettez la scie en marche et laissez la lame prendre de la vitesse.
- Maintenez à deux mains la pièce contre l'avant du guide d'onglet, tout en maintenant à plat contre la table, et poussez-la lentement au travers de la lame.
- Ne tentez jamais de tirer la pièce en arrière alors que la lame tourne. Arrêtez la machine, laissez la lame s'arrêter complètement, et retirez lentement la pièce.

AVERTISSEMENT : ne jamais toucher ou maintenir le bout « libre » ou « coupé » de la pièce à travailler.

Fig. W



Coupes transversales en biseau

Cette opération est identique à une coupe transversale sauf que l'angle de biseau est ajusté à un angle autre que zéro.

AVERTISSEMENT : avant d'installer le bloc-piles sur la scie ou d'utiliser celle-ci, inspecter systématiquement l'alignement du dispositif de carter de lame et du couteau diviseur ainsi que l'espacement avec la lame. Vérifier l'alignement après chaque changement d'angle de biseau.

Onglets (Fig. W)

AVERTISSEMENT : les onglets supérieurs à 45° peuvent forcer le dispositif de carter de lame dans la lame, endommager celui-ci et causer des dommages corporels. Avant de mettre le moteur en marche, tester l'opération en alimentant la pièce au travers du dispositif de carter de lame. Si le dispositif de carter de lame entre en contact avec la lame, disposer la pièce sous le dispositif de carter de lame, sans toucher la lame, avant de remettre le moteur en marche.

AVERTISSEMENT : certaines formes de pièces, comme les mouleurs, peuvent ne pas soulever le dispositif de carter de lame correctement. Alimenter la pièce lentement pour commencer la coupe. Si le dispositif de carter de lame entre en contact avec la lame, disposer la pièce sous le dispositif de carter de lame, sans toucher la lame, avant de remettre le moteur en marche.

Cette opération est identique à une coupe transversale sauf que le guide d'onglet est verrouillé à un angle autre que zéro. Maintenez FERMEMENT la pièce contre le guide d'onglet **10** et poussez-la lentement vers la lame (pour l'empêcher de se déplacer).

Utilisation du guide d'onglet

Pour ajuster le guide d'onglet :

- Desserrez le bouton de verrouillage du guide d'onglet **59**.
- Déplacez le guide d'onglet sur l'angle désiré.
- Resserrez le bouton de verrouillage du guide d'onglet.

Onglet mixte

Ceci est une combinaison de coupe transversale en biseau et d'onglet. Suivez les instructions pour les coupes transversales en biseau et pour les coupes d'onglet.

Rainurage et refeuillement (non part-en-part)

AVERTISSEMENT : pour les coupes non part-en-part, déposez l'ensemble protège-lame **11** et installez le couteau diviseur pour coupes non part-en-part **23**. Servez-vous de guides de pression pour toutes les opérations de coupe qui ne traversent pas la pièce de travail pour lesquelles les assemblages protège-lame, antiretour et le couteau diviseur ne peuvent pas être utilisés.

Les instructions dans les sections Coupe longitudinale, Coupe transversale, Coupe transversale en biseau, Onglets, et Onglets composés sont pour des coupes faites de part-en-part du matériel. Le banc de scie peut également réaliser des coupes non part-en-part pour former des rainures ou le refeuillement du matériau.

Coupes longitudinales non part-en-part (Fig. X, G)

AVERTISSEMENT : pour prévenir la perte de contrôle et les blessures, le guide de coupe doit TOUJOURS être utilisé pour les coupes longitudinales. NE JAMAIS effectuer de coupe à main levée. TOUJOURS verrouiller le guide sur le rail.

AVERTISSEMENT : lors de coupes en biseau et à chaque fois que ce sera possible, placez le guide sur le côté de la lame dont l'inclinaison l'éloignera du guide et des mains.

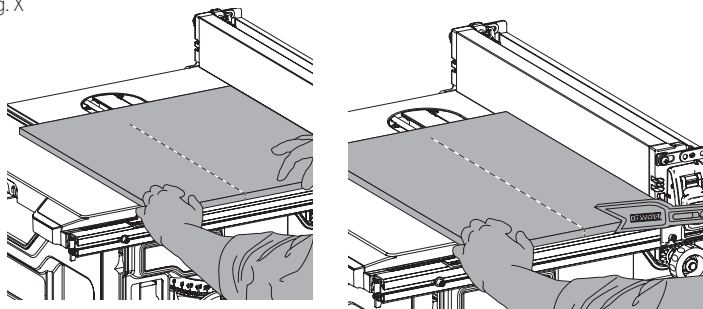
AVERTISSEMENT : gardez vos mains éloignées de la lame. Pour les coupes non part-en-part, la lame n'est pas toujours visible durant la coupe, alors, une attention particulière est nécessaire pour s'assurer que vos mains n'entrent pas en contact avec la lame.

AVERTISSEMENT : utiliser un poussoir de fin de passe pour alimenter la pièce à travailler s'il y a entre 51 et 152 mm (2 et 6 po) entre le guide et la lame. Utiliser un guide longitudinal étroit et un bloc-poussoir pour alimenter la pièce à travailler s'il y a 51 mm (2 po) ou moins entre le guide et la lame.

- Déposez l'ensemble protège-lame **11** et installez le couteau diviseur pour coupes non part-en-part **23** (Fig. G). Se référer à **Pose et dépose de l'ensemble protège-lame et du couteau diviseur**.
- Verrouillez le guide de coupe en abaissant son loquet de verrouillage. Déposez le rapporteur d'onglets.

- Élevez la lame pour la profondeur de coupe désirée.
- Maintenez la pièce de travail à plat sur la table et contre le guide. Gardez la pièce à environ 25.4 mm (1 po) de distance de la lame.

Fig. X



AVERTISSEMENT : la pièce de travail doit avoir une arête droite placée contre le guide et ne doit pas être gauchie, arquée ou tordue. Gardez vos deux mains éloignées de la lame et de son axe. Voir la position appropriée des mains à la Figure X

- Démarrez la scie et laissez-la accélérer jusqu'à sa pleine vitesse. Pour amorcer la coupe, les deux mains peuvent être utilisées. Lorsqu'il restera environ 30.5 cm (12 po) à couper, n'utilisez qu'une seule main, avec votre pouce appliquant une pression vers l'arrière et votre index et le majeur maintenant la pièce contre la table et le reste de votre main gardant le tout contre le guide. Toujours garder une pression du pouce vers l'arrière et maintenir une force de la main vers le guide.
- En gardant la pièce de travail contre la table et le guide, alimentez lentement la pièce sur la lame jusqu'à ce qu'elle passe derrière celle-ci. Continuez de la pousser jusqu'à ce qu'elle dépasse le protège-lame et tombe derrière la table. Ne surchargez pas le moteur
- Ne jamais tenter de ramener la pièce de travail vers l'avant alors que la scie tourne. Coupez l'alimentation, laissez la scie s'arrêter et retirez la pièce.
- Pour la coupe de pièces longues ou de panneaux, placez toujours un support de travail aux endroits pertinents. Un chevalet, des rouleaux ou un assemblage de soutien de sortie procurant un support adéquat devrait être utilisé. Le support devra être à la même hauteur ou légèrement plus bas que le banc de scie.

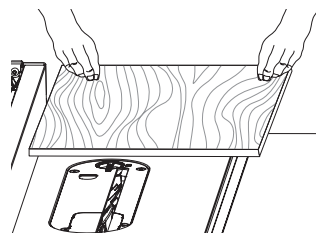
Coupe longitudinale non part-en-part (Fig. A)

La coupe de petites pièces comporte certains dangers. Le placement des mains près de la lame n'est pas sécuritaire. Utilisez plutôt une pièce de plus grandes dimensions que vous taillerez comme requis. Pour maintenir les pièces étroites sans mettre vos mains en danger, servez-vous d'un ou deux bâtons-poussoirs. Un plan de fabrication de bâtons-poussoirs est présenté à la fin du présent manuel. Un bâton-poussoir **22** est compris avec votre outil (fixé au guide de coupe longitudinal). Servez-vous des bâtons-poussoirs pour maintenir la pièce de travail contre la table et le guide et poussez-la complètement jusqu'à l'arrière de la scie.

Coupe longitudinale non part-en-part biseautée (Fig. Y)

Cette opération est la même qu'une coupe longitudinale non part-en-part sauf que l'angle de la lame est différent que le réglage de zéro degrés. Pour une position appropriée des mains, se référer à la Figure Y.

Fig. Y



AVERTISSEMENT : avant d'installer le bloc-piles ou de faire fonctionner la scie, inspectez toujours le couteau diviseur pour être sûr d'un bon alignement et dégagement de la lame. Vérifiez l'alignement après chaque changement d'angle de biseau.

Coupe transversale non part-en-part (Fig. Z)

- AVERTISSEMENT :** NE JAMAIS utiliser le guide de coupe conjointement avec la jauge à onglets.
- AVERTISSEMENT :** pour réduire le risque de blessures lors de coupes transversales, NE JAMAIS utiliser le guide comme indicateur d'arrêt ou butée de longueur.
- AVERTISSEMENT :** lors de l'utilisation d'un bloc de bois comme jauge d'arrêt, le bloc devra être d'au moins 19 mm (3/4 po) d'épaisseur et il sera très important qu'il soit placé là où il ne pourra pas faire contact avec la lame pour prévenir d'être projeté et causer des blessures.

- Retirez le guide longitudinal et placez le rapporteur d'onglets dans la fente désirée.
- Ajustez la hauteur de la lame pour la profondeur de coupe désirée.
- Maintenez fermement la pièce de travail contre le rapporteur d'onglets **10** à la distance de coupe adéquate. Avancez la pièce à environ 25.4 mm devant la lame. GARDEZ VOS DEUX MAINS ÉLOIGNÉES DE LA LAME ET DE SON AXE (Fig. Z).
- Démarrez la scie et laissez-la accélérer jusqu'à sa pleine vitesse.

- Tout en gardant vos deux mains sur la pièce de travail pour la pousser contre de devant du rapporteur d'angles et contre la table, avancez le travail lentement.
- Ne jamais tenter de ramener la pièce de travail alors que la scie tourne. Coupez l'alimentation, laissez la scie s'arrêter et retirez délicatement la pièce.

Coupe transversale non part-en-part biseautée

Cette opération est la même qu'une coupe transversale sauf que l'angle de la lame est différent que le réglage de zéro degrés (0°).

AVERTISSEMENT : avant d'installer le bloc-piles ou de faire fonctionner la scie, inspectez toujours le couteau diviseur pour être sûr d'un bon alignement et dégagement de la lame. Vérifiez l'alignement après chaque changement d'angle de biseau.

Coupe à onglets non part-en-part (Fig. Z)

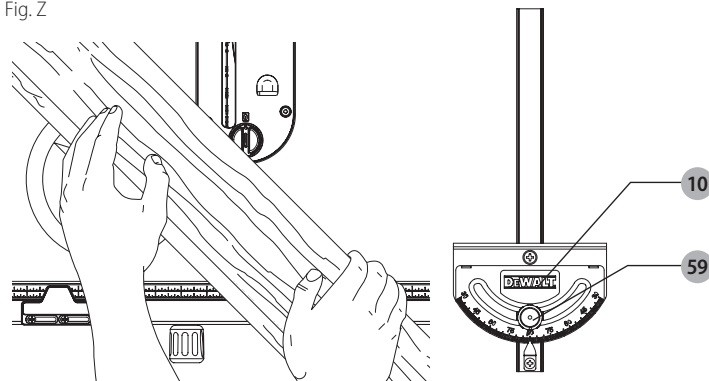
Cette opération est la même qu'une coupe transversale sauf que le rapporteur d'angles est verrouillé à un angle différent que zéro degrés (0°). Maintenez FERMEMENT la pièce de travail contre le rapporteur d'angles **10** pour ne pas qu'elle se déplace et alimentez lentement la pièce sur la lame.

Fonctionnement pour coupe non part-en-part avec la jauge à onglets

Pour régler l'angle du rapporteur :

- Desserrez le bouton de verrouillage du rapporteur d'onglet **59**.
- Déplacez le rapporteur à l'angle désiré.
- Resserrez le bouton de verrouillage du rapporteur d'onglet.

Fig. Z



Coupe à onglets non part-en-part composée

Ceci est la combinaison d'une coupe latérale non part-en-part en biseau et non part-en-part en angle. Suivez les instructions des deux opérations.

Système de dépoussiérage (Fig. A, AA)

Cette scie de table est équipée d'un dispositif anti-poussières et d'une buse de dépoussiérage. Pour optimiser les résultats, connectez un aspirateur à la buse à l'arrière de la scie et sur le carter à l'aide d'un connecteur en Y. Le connecteur en Y est un accessoire vendu séparément. Reportez-vous à la section **Accessoires**.

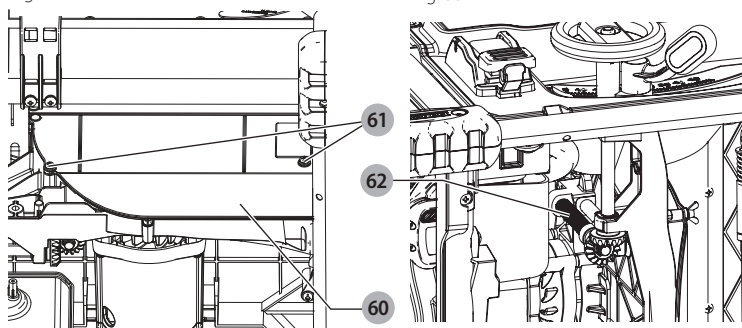
AVIS : il est important de vérifier que la position des tuyaux n'interfère pas avec les opérations de coupe.

AVERTISSEMENT : pour prévenir tout démarrage accidentel, retirez le bloc-piles de la scie avant tout entretien du système de dépoussiérage.

- Mettez la scie sur le côté pour accéder à la partie ouverte de la machine.
- Ouvrez le portillon d'accès **60** mis à découvert en retirant 2 vis cruciformes **61** puis retirez le portillon. Nettoyez l'excès de poussières, puis rattachez le portillon en l'arrimant avec les écrous à ailettes.

Fig. AA

Fig. BB



Interrupteur de réinitialisation en cas de surcharge moteur ou perte de courant

La scie est équipée d'un interrupteur de réinitialisation en cas de perte d'alimentation (bloc-piles déchargé ou panne de secteur) qui réinitialisera automatiquement l'outil en position d'ARRÊT.

Si la durée de charge du bloc-piles dure moins longtemps, c'est souvent à cause d'une lame émoussée. Changez régulièrement votre lame pour augmenter la durée de charge de votre bloc piles.

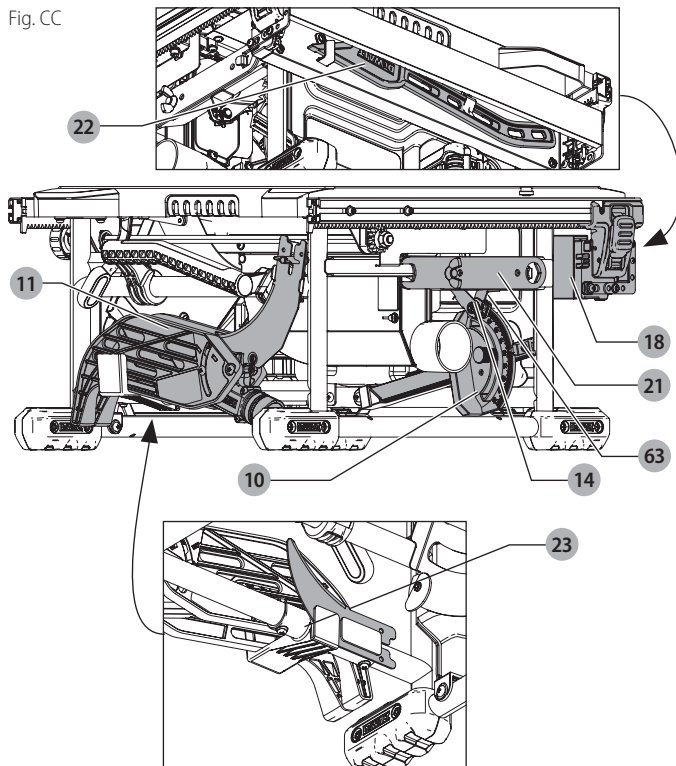
Lubrification (Fig. BB)

1. Les roulements du moteur sont lubrifiés de façon permanente en usine et aucune autre lubrification n'est nécessaire.
2. La vis de réglage de hauteur peut nécessiter une lubrification et un nettoyage réguliers. Si vous éprouvez des difficultés à élever ou abaisser la lame :
 - a. Retirez le bloc-piles de la scie.
 - b. Mettez la scie sur le côté pour accéder à la partie ouverte de la machine.
 - c. Nettoyez et lubrifiez le filetage de la vis de réglage de hauteur **62** sur l'envers de la scie avec une graisse à usage général. Reportez-vous à la Figure X.

STOCKAGE (Fig. CC)

1. Rattachez le poussoir de fin de passe **22** au guide.
2. Appuyez sur la goupille du dispositif anti-rebonds **14** pour permettre à l'ensemble de sortir de la fente du couteau diviseur.
3. Installez le dispositif anti-rebonds dans son logement, comme illustré. Tout en appuyant sur la goupille, poussez le dispositif anti-rebonds dans le dispositif de stockage **63** et libérez la goupille pour le verrouiller en place.
4. Retirez le dispositif de carter de lame **11**. Reportez-vous à la section **Installation/retrait du dispositif de carter de lame et du couteau diviseur**. Insérez le dispositif de carter de lame dans son logement, comme illustré, puis tournez-le d'un quart de tour pour le verrouiller en place.
5. Insérez les extrémités fermées des clés pour lame **21** dans leur espace et verrouillez-les en place avec l'écrou à ailettes.
6. Insérez à fond la barre de guidage du guide d'onglet **10** dans sa pochette.
7. Le couteau diviseur de coupe intégrale **23** se place sur l'arrière de la patte de montage du guide.
8. Pour entreposer le guide **18**, poussez le support d'ouvrage en position de stockage. Retirez le guide des rails. Rattachez le guide à l'envers sur le côté gauche de la scie. Le verrou du guide pivotant verrouillera l'ensemble.

Fig. CC



Construction d'accessoires pour des méthodes d'utilisation alternatives

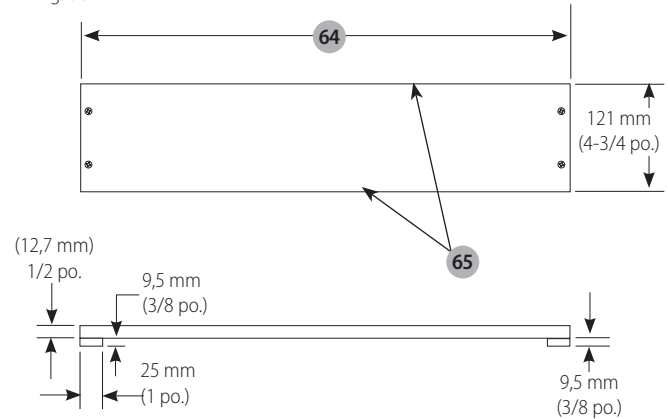
Guide longitudinal auxiliaire étroit (Fig. DD–FF)

Le guide longitudinal auxiliaire étroit doit être utilisé pour une coupe longitudinale de 51 mm (2 po) ou moins. Ce guide permet au dispositif de protection de rester sur la scie pour effectuer des coupes longitudinales étroites. Cela laissera un espace suffisant pour utiliser un bloc-poussoir (**66**, reportez-vous à la section **Bloc-poussoir**).

1. Suivez le schéma en Figure DD pour fabriquer un guide longitudinal auxiliaire étroit **69**.

REMARQUE : sa longueur **64** devrait être similaire à celle du dessus de la table de scie et ses côtés **65** devraient être parallèles.

Fig. DD



2. Une fois le guide longitudinal auxiliaire étroit construit, glissez-le le long de la surface de la table de scie et placez-le à ras du guide, comme illustré en Figure FF.
3. Insérez la pièce jusqu'à ce que le bord du matériau touche le bord avant de la table de scie.
4. Continuez d'alimenter le matériau à l'aide du bloc-poussoir **66** jusqu'à ce que la coupe soit terminée.

Bloc-poussoir (Fig. EE, FF)

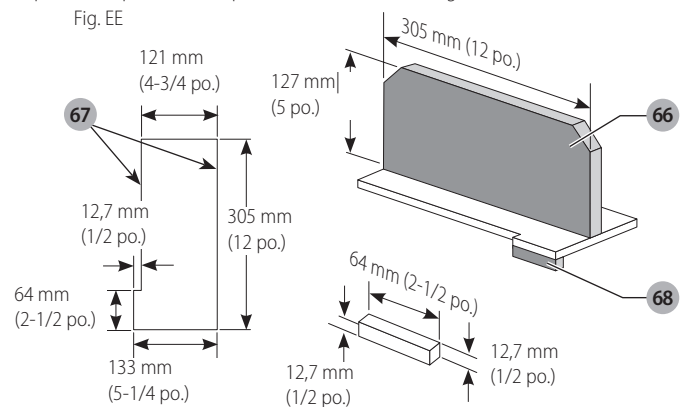
IMPORTANT : utilisez le bloc-poussoir **66** seulement avec le guide longitudinal auxiliaire étroit, se reporter à la section **Guide longitudinal auxiliaire étroit**. Le bloc-poussoir devrait être utilisé lorsque le matériau à machiner a atteint la surface de la table de scie.

1. Construisez un bloc-poussoir en suivant le schéma en Figure EE.

REMARQUE : les bords **67** doivent être parallèles.

IMPORTANT : la bordure **68**, Fig. EE DOIT être d'équerre. Une lèvre inégale pourrait faire dérapier le bloc-poussoir ou repousser le matériau loin du guide.

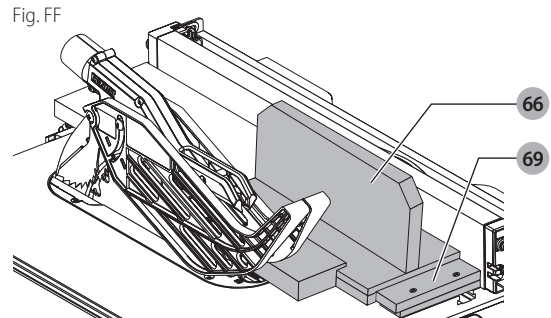
Fig. EE



2. Posez le bloc-poussoir (**66**, Fig. FF) derrière le matériau en vous assurant que la lèvre du bloc est à ras du guide longitudinal auxiliaire étroit **69**.
3. Une fois le bloc-poussoir en place, continuez à alimenter le matériau vers la scie jusqu'en fin de coupe en vous assurant que le bloc-poussoir reste constamment au ras du guide longitudinal auxiliaire étroit.

IMPORTANT : le guide longitudinal auxiliaire étroit et la bordure (**68**, Fig. EE) devraient être de la même épaisseur.

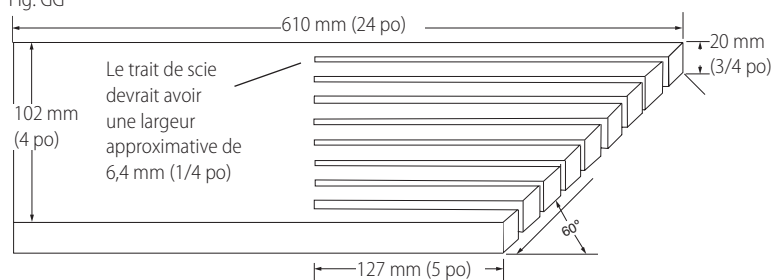
Fig. FF



Construction d'un peigne (Fig. GG, HH)

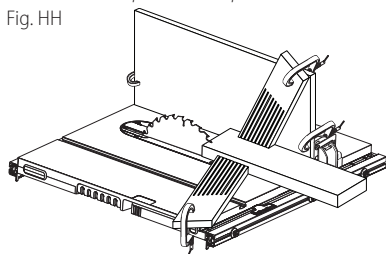
Les peignes sont utilisés pour maintenir la pièce en contact avec le guide et la table, et prévenir les rebonds. Les dimensions pour effectuer un peigne typique sont illustrées en Figure GG. Effectuez le peigne dans un morceau de bois droit, sans nœuds ou fentes. Fixez le peigne au guide et à la table pour que le bord principal du peigne supporte la pièce jusqu'à ce que la

coupe soit terminée (Fig. HH). Un panneau plat de 203 mm (8 po) de haut peut être arrimé au guide longitudinal, et le peigne en retour peut être arrimé au panneau de 203 mm (8 po).
Fig. GG



AVERTISSEMENT : utiliser un peigne lors des opérations de coupe partielle pour lesquelles le dispositif de carter de lame, le dispositif anti-rebonds et le couteau diviseur, ne peuvent pas être utilisés. **Remplacer systématiquement le dispositif de carter de lame, le dispositif anti-rebonds et le couteau diviseur une fois la coupe partielle terminée.** S'assurer que le peigne appuie seulement sur la portion de la pièce devant la lame.

Fig. HH



MAINTENANCE

AVERTISSEMENT : pour réduire le risque de blessures graves, éteindre l'outil et retirer le bloc-piles avant d'effectuer tout réglage et d'enlever ou d'installer tout accessoire. Un démarrage accidentel peut provoquer des blessures.

Nettoyage

AVERTISSEMENT : enlever les saletés et la poussière hors des événements au moyen d'air comprimé propre et sec, au moins une fois par semaine. Pour minimiser le risque de blessure aux yeux, toujours porter une protection oculaire conforme à la norme ANSI Z87.1 lors du nettoyage.

AVERTISSEMENT : ne jamais utiliser de solvants ni d'autres produits chimiques puissants pour nettoyer les pièces non métalliques de l'outil. Ces produits chimiques peuvent affaiblir les matériaux de plastique utilisés dans ces pièces. Utiliser un chiffon humecté uniquement d'eau et de savon doux. Ne jamais laisser de liquide pénétrer dans l'outil et n'immerger aucune partie de l'outil dans un liquide.

Accessoires

AVERTISSEMENT : puisque les accessoires autres que ceux offerts par DeWALT n'ont pas été testés avec ce produit, leur utilisation pourrait s'avérer dangereuse. Pour réduire le risque de blessures, utiliser exclusivement les accessoires DeWALT recommandés avec le présent produit.

Les accessoires recommandés pour cet outil sont vendus séparément au centre de service de votre région. Pour obtenir de l'aide concernant l'achat d'un accessoire, communiquer avec DeWALT Industrial Tool Co., 701 East Joppa Road, Towson, MD 21286 aux États-Unis; composer le 1 800 433-9258 (1 800 4-DeWALT) ou visiter notre site Web : www.dewalt.com.

- Supports compatibles (DWE74911)
- Échelle de coupe métrique (N458905)
- Connecteur en Y d'extraction des poussières (veuillez contacter votre distributeur local)

Réparations

Le chargeur et le bloc-piles ne sont pas réparables.

AVERTISSEMENT : pour assurer la SÉCURITÉ et la FIABILITÉ du produit, les réparations, l'entretien et les réglages doivent être réalisés (cela comprend l'inspection et le remplacement du balai) par un centre de réparation en usine DeWALT ou un centre de réparation agréé DeWALT. Toujours utiliser des pièces de rechange identiques.

Registre en ligne

Merci pour votre achat. Enregistrez dès maintenant votre produit:

- **RÉPARATIONS SOUS GARANTIE:** cette carte remplie vous permettra de vous prévaloir du service de réparations sous garantie de façon plus efficace dans le cas d'un problème avec le produit.
- **CONFIRMATION DE PROPRIÉTÉ:** en cas de perte provoquée par un incendie, une inondation ou un vol, cette preuve de propriété vous servira de preuve auprès de votre compagnie d'assurances.
- **SÉCURITÉ:** l'enregistrement de votre produit nous permettra de communiquer avec vous dans l'éventualité peu probable de l'envoi d'un avis de sécurité régi par la loi fédérale américaine de la protection des consommateurs.

Registre en ligne à www.dewalt.com/register.

Garantie limitée de trois ans

DeWALT réparera, sans frais, tout produit défectueux causé par un défaut de matériel ou de fabrication pour une période de trois ans à compter de la date d'achat. La présente garantie ne couvre pas les pièces dont la défectuosité a été causée par une usure normale ou l'usage abusif de l'outil. Pour obtenir de plus amples renseignements sur les pièces ou les réparations couvertes par la présente garantie, visiter le site www.dewalt.com ou composer le 1 800 433-9258 (1 800 4-DeWALT). Cette garantie ne s'applique pas aux accessoires et ne vise pas les dommages causés par des réparations effectuées par un tiers. Cette garantie confère des droits légaux particuliers à l'acheteur, mais celui-ci pourrait aussi bénéficier d'autres droits variant d'un état ou d'une province à l'autre.

En plus de la présente garantie, les outils DeWALT sont couverts par notre :

CONTRAT D'ENTRETIEN GRATUIT D'UN AN

DeWALT entretiendra l'outil et remplacera les pièces usées au cours d'une utilisation normale et ce, gratuitement, pendant une période d'un an à compter de la date d'achat.

CONTRAT D'ENTRETIEN GRATUIT DE DEUX ANS SUR LES BLOC-PILES DeWALT

DC9071, DC9091, DC9096, DC9280, DC9360, DC9180, DCB120, DCB127, DCB201, DCB203, DCB203BT, DCB207

CONTRAT D'ENTRETIEN GRATUIT DE TROIS ANS SUR LES BLOC-PILES DeWALT

DCB200, DCB204, DCB204BT, DCB205, DCB606

REMARQUE : La garantie de ce produit sera annulée si le bloc-piles a été altéré de quelque façon que ce soit. DeWALT ne peut être tenu responsable de tout dommage corporel causé par l'altération du produit et pourra poursuivre toute fraude en matière de garantie dans toute l'étendue permise par la loi.

GARANTIE DE REMBOURSEMENT DE 90 JOURS

Si l'acheteur n'est pas entièrement satisfait, pour quelque raison que ce soit, du rendement de l'outil électrique, du laser ou de la cloueuse DeWALT, celui-ci peut le retourner, accompagné d'un reçu, dans les 90 jours à compter de la date d'achat pour obtenir un remboursement intégral, sans aucun problème.





AMÉRIQUE LATINE : cette garantie ne s'applique aux produits vendus en Amérique latine.

Pour ceux-ci, veuillez consulter les informations relatives à la garantie spécifique présente dans l'emballage, appeler l'entreprise locale ou consulter le site Web pour les informations relatives à cette garantie.


REMPACEMENT GRATUIT DES ÉTIQUETTES D'AVERTISSEMENT : si les étiquettes d'avertissement deviennent illisibles ou sont manquantes, composer le 1 800 433-9258 (1 800 4-DeWALT) pour en obtenir le remplacement gratuit.

Definiciones: Símbolos y palabras de alerta de seguridad

Este manual de instrucciones utiliza los siguientes símbolos y palabras de alerta de seguridad para alertarle de situaciones peligrosas y del riesgo de lesiones corporales o daños materiales.

-  **PELIGRO:** Indica una situación de peligro inminente que, si no se evita, provocará **la muerte o lesiones graves**.
-  **ADVERTENCIA:** Indica una situación de peligro potencial que, si no se evita, **podría provocar la muerte o lesiones graves**.
-  **ATENCIÓN:** Indica una situación de peligro potencial que, si no se evita, **posiblemente provocaría lesiones leves o moderadas**.
-  (Utilizado sin palabras) indica un mensaje de seguridad relacionado.

AVISO: Se refiere a una práctica **no relacionada a lesiones corporales** que de no evitarse **puede resultar en daños a la propiedad**.

 **¡ADVERTENCIA!** Lea todas las advertencias de seguridad e instrucciones. El incumplimiento de las advertencias e instrucciones puede provocar descargas eléctricas, incendios o lesiones graves.


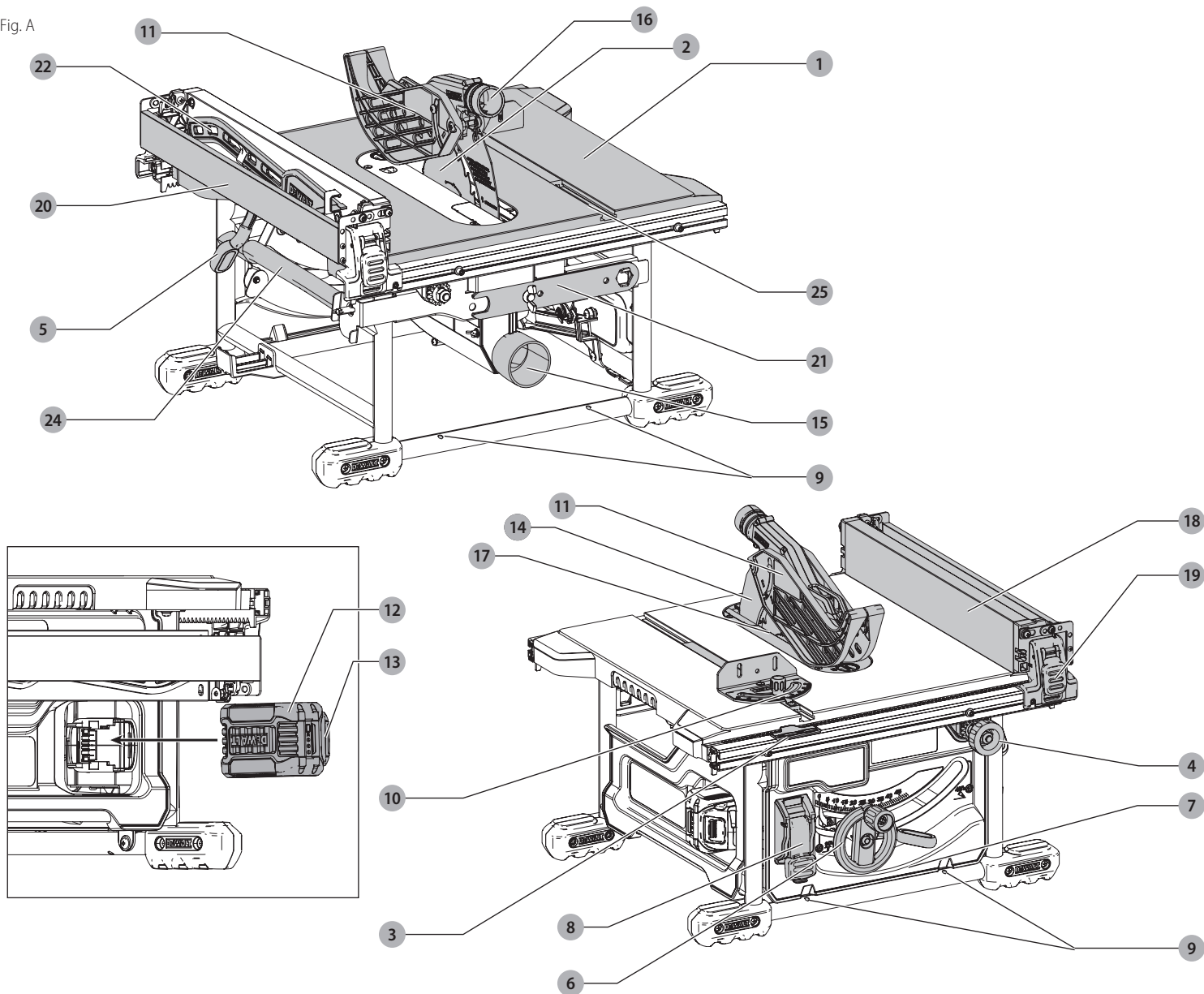
 **ADVERTENCIA:** Para reducir el riesgo de lesiones, lea el manual de instrucciones.

Fig. A



- | | |
|--|--|
| 1 Banco | 14 Unidad anti-rebote |
| 2 Hoja | 15 Orificio para recolección de polvo |
| 3 Indicador de escala para cortes longitudinales | 16 Protector del orificio para recolección de polvo |
| 4 Pomo de ajuste | 17 Placa de garganta |
| 5 Palanca de bloqueo de riel | 18 Guía para cortes longitudinales |
| 6 Rueda de ajuste de altura de la hoja | 19 Seguro de la guía para cortes longitudinales |
| 7 Palanca de bloqueo de bisel | 20 Guía estrecha para cortes longitudinales/extensión de apoyo |
| 8 Unidad de encendido/apagado | 21 Llaves para hoja (posición de almacenamiento) |
| 9 Orificios de montaje | 22 Empujador (Posición de almacenamiento) |
| 10 Calibrador de inglete | 23 Cuchillo separador (aserrado sin traspaso) (Fig. G) |
| 11 Unidad del protector de la hoja | 24 Asa de transporte |
| 12 Batería | 25 Riel de calibrador de inglete |
| 13 Botón de liberación de la batería | |

ADVERTENCIAS GENERALES DE SEGURIDAD PARA HERRAMIENTAS ELÉCTRICAS

! **¡ADVERTENCIA!** Lea todas las advertencias de seguridad, instrucciones, ilustraciones y especificaciones incluidas con esta herramienta eléctrica. La falla en seguir todas las instrucciones siguientes puede resultar en descarga eléctrica, incendio y/o lesiones serias.

CONSERVE TODAS LAS ADVERTENCIAS E INSTRUCCIONES PARA FUTURAS CONSULTAS

El término "herramienta eléctrica" incluido en las advertencias hace referencia a las herramientas eléctricas operadas con corriente (con cable eléctrico) o a las herramientas eléctricas operadas con baterías (inalámbricas).

1) Seguridad en el Área de Trabajo

- Mantenga el área de trabajo limpia y bien iluminada.** Las áreas abarrotadas y oscuras propician accidentes.
- No opere las herramientas eléctricas en atmósferas explosivas, como ambientes donde haya polvo, gases o líquidos inflamables.** Las herramientas eléctricas originan chispas que pueden encender el polvo o los vapores.
- Mantenga alejados a los niños y a los espectadores de la herramienta eléctrica en funcionamiento.** Las distracciones pueden provocar la pérdida de control.

2) Seguridad Eléctrica

- Los enchufes de la herramienta eléctrica deben adaptarse al tomacorriente. Nunca modifique el enchufe de ninguna manera. No utilice ningún enchufe adaptador con herramientas eléctricas con conexión a tierra.** Los enchufes no modificados y que se adaptan a los tomacorrientes reducirán el riesgo de descarga eléctrica.
- Evite el contacto corporal con superficies con descargas a tierra como, por ejemplo, tuberías, radiadores, cocinas eléctricas y refrigeradores.** Existe mayor riesgo de descarga eléctrica si su cuerpo está puesto a tierra.
- No exponga las herramientas eléctricas a la lluvia o a condiciones de humedad.** Si entra agua a una herramienta eléctrica, aumentará el riesgo de descarga eléctrica.
- No maltrate el cable. Nunca utilice el cable para transportar, tirar o desencharar la herramienta eléctrica. Mantenga el cable alejado del calor, el aceite, los bordes filosos y las piezas móviles.** Los cables dañados o enredados aumentan el riesgo de descarga eléctrica.
- Al operar una herramienta eléctrica en el exterior, utilice un cable prolongador adecuado para tal uso.** Utilice un cable adecuado para uso en exteriores a fin de reducir el riesgo de descarga eléctrica.
- Si el uso de una herramienta eléctrica en un lugar húmedo es imposible de evitar, utilice un suministro protegido con un interruptor de circuito por falla a tierra (GFCI).** El uso de un GFCI reduce el riesgo de descargas eléctricas.

3) Seguridad Personal

- Permanezca alerta, controle lo que está haciendo y utilice el sentido común cuando emplee una herramienta eléctrica. No utilice una herramienta eléctrica si está cansado o bajo el efecto de drogas, alcohol o medicamentos.** Un momento de descuido mientras se opera una herramienta eléctrica puede provocar lesiones personales graves.
- Utilice equipos de protección personal. Siempre utilice protección para los ojos.** En las condiciones adecuadas, el uso de equipos de protección, como máscaras para polvo, calzado de seguridad antideslizante, cascos o protección auditiva, reducirá las lesiones personales.
- Evite el encendido por accidente. Asegúrese de que el interruptor esté en la posición de apagado antes de conectarlo a la fuente de energía o paquete de baterías, o antes de levantar o transportar la herramienta.** Transportar herramientas eléctricas con el dedo apoyado en el interruptor o enchufar herramientas eléctricas con el interruptor en la posición de encendido puede propiciar accidentes.
- Retire la clavija de ajuste o la llave de tuercas antes de encender la herramienta eléctrica.** Una llave de tuercas o una clavija de ajuste que quede conectada a una pieza giratoria de la herramienta eléctrica puede provocar lesiones personales.
- No se estire. Conserve el equilibrio y párese adecuadamente en todo momento.** Esto permite un mejor control de la herramienta eléctrica en situaciones inesperadas.
- Use la vestimenta adecuada. No use ropas holgadas ni joyas. Mantenga el cabello, la ropa y los guantes alejados de las piezas en movimiento.** Las ropas holgadas, las joyas o el cabello largo pueden quedar atrapados en las piezas en movimiento.
- Si se suministran dispositivos para la conexión de accesorios con fines de recolección y extracción de polvo, asegúrese de que estén conectados y que se utilicen correctamente.** El uso de dispositivos de recolección de polvo puede reducir los peligros relacionados con el polvo.
- No permita que la familiaridad obtenida a partir del uso frecuente de herramientas le permitan volverse descuidado e ignorar los principios de seguridad de la herramienta.** Una acción descuidada puede causar lesiones severas en una fracción de segundo.

4) Uso y Mantenimiento de la Herramienta Eléctrica

- No fuerce la herramienta eléctrica. Utilice la herramienta eléctrica correcta para el trabajo que realizará.** Si se la utiliza a la velocidad para la que fue diseñada, la herramienta eléctrica correcta permite trabajar mejor y de manera más segura.
- No utilice la herramienta eléctrica si no puede encenderla o apagarla con el interruptor.** Toda herramienta eléctrica que no pueda ser controlada mediante el interruptor es peligrosa y debe repararse.
- Desconecte el enchufe de la fuente de energía o el paquete de baterías de la herramienta eléctrica antes de realizar ajustes, cambiar accesorios o almacenar la herramienta eléctrica.** Estas medidas de seguridad preventivas reducen el riesgo de encender la herramienta eléctrica en forma accidental.
- Guarde la herramienta eléctrica que no esté en uso fuera del alcance de los niños y no permita que otras personas no familiarizadas con ella o con estas instrucciones operen la herramienta.** Las herramientas eléctricas son peligrosas si son operadas por usuarios no capacitados.
- Realice el mantenimiento de las herramientas eléctricas. Revise que no haya piezas en movimiento mal alineadas o trabadas, piezas rotas o cualquier otra situación que pueda afectar el funcionamiento de la herramienta eléctrica. Si encuentra daños, haga reparar la herramienta eléctrica antes de utilizarla.** Se producen muchos accidentes a causa de las herramientas eléctricas que carecen de un mantenimiento adecuado.
- Mantenga las herramientas de corte afiladas y limpias.** Las herramientas de corte con mantenimiento adecuado y con los bordes de corte afilados son menos propensas a trabarse y son más fáciles de controlar.
- Utilice la herramienta eléctrica, los accesorios y las brocas de la herramienta, etc. de acuerdo con estas instrucciones y teniendo en cuenta las condiciones de trabajo y el trabajo que debe realizarse.** El uso de la herramienta eléctrica para operaciones diferentes de aquéllas para las que fue diseñada podría originar una situación peligrosa.
- Mantenga las manijas y superficies de sujeción secas, limpias y libres de aceite y grasa.** Las manijas y superficies de sujeción resbalosas no permiten el manejo y control seguros de la herramienta en situaciones inesperadas.

5) Uso y Mantenimiento de la Herramienta con Baterías

- Recargue solamente con el cargador especificado por el fabricante.** Un cargador adecuado para un tipo de paquete de baterías puede originar riesgo de incendio si se utiliza con otro paquete de baterías.
- Utilice herramientas eléctricas sólo con paquetes de baterías específicamente diseñados.** El uso de cualquier otro paquete de baterías puede producir riesgo de incendio y lesiones.
- Cuando no utilice el paquete de baterías, manténgalo lejos de otros objetos metálicos como sujetapapeles, monedas, llaves, clavos, tornillos u otros objetos metálicos pequeños que puedan realizar una conexión desde un terminal al otro.** Los cortocircuitos en los terminales de la batería pueden provocar quemaduras o incendio.
- En condiciones abusivas, el líquido puede ser expulsado de la batería. Evite su contacto. Si entra en contacto accidentalmente, enjuague con agua. Si el líquido entra en contacto con los ojos, busque atención médica.** El líquido expulsado de la batería puede provocar irritación o quemaduras.
- No use un paquete de batería o herramienta que estén dañados o modificados.** Las baterías dañadas o modificadas pueden presentar comportamiento imprevisto que resulte en incendio, explosión o riesgo de lesiones.
- No exponga un paquete de batería o herramienta a fuego o temperatura excesiva.** La exposición a fuego o temperatura mayor a 129 °C (265 °F) puede causar una explosión.
- Siga todas las instrucciones de carga y no cargue el paquete de batería o la herramienta fuera del rango de temperatura especificado en las instrucciones.** Cargar inadecuadamente o en una temperatura fuera del rango especificado puede dañar la batería e incrementar el riesgo de incendio.

6) Mantenimiento

- Solicite a una persona calificada en reparaciones que realice el mantenimiento de su herramienta eléctrica y que sólo utilice piezas de repuesto idénticas.** Esto garantizará la seguridad de la herramienta eléctrica.
- Nunca dé servicio a paquetes de batería dañados.** El servicio de paquetes de batería sólo debe ser realizado por el fabricante o proveedores de servicio autorizados.

Instrucciones de Seguridad para Sierras de Mesa


1) Advertencias respecto a Protecciones

- Mantenga las protecciones en su lugar.** Las protecciones deben estar en buenas condiciones de operación y estar correctamente montadas. Una protección que esté suelta, dañada o que no funcione correctamente se debe reparar o reemplazar.
- Utilice siempre la protección de la hoja de sierra, la cuchilla separadora y los trinquetes anti-retroceso para cada operación de corte completo.** Para operaciones de corte completo donde la hoja de la sierra corta completamente a través del grosor de la pieza de trabajo, la protección y otros dispositivos de seguridad ayudan a reducir el riesgo de lesiones.
- Inmediatamente vuelva a sujetar el sistema de protección después de completar una operación (como ranurado, ensambladura o aserrado) que requiera la**

desinstalación de la protección, la cuchilla y/o el dispositivo anti-retroceso. La protección, el cuchillo separador y el dispositivo anti-retroceso ayudan a reducir el riesgo de lesiones.

- d) **Asegúrese que la hoja de la sierra no esté en contacto con la protección, la cuchilla separadora o la pieza de trabajo antes de encender el interruptor.** El contacto involuntario de estos elementos con la hoja de la sierra podría causar una condición peligrosa.
- e) **Ajuste la cuchilla separadora como se describe en este manual de instrucciones.** Un espaciado, posicionamiento y alineación incorrectos pueden hacer ineficaz la cuchilla de separación para reducir la probabilidad de retroceso.
- f) **Para que funcionen el cuchillo separador y los trinquetes anti-retroceso, deben conectarse en la pieza de trabajo.** El cuchillo separador y los trinquetes anti-retroceso no son efectivos cuando se cortan piezas de trabajo que son demasiado cortas para sujetarse con la cuchilla separadora y trinquetes anti-retroceso. Bajo estas condiciones, un retroceso no se puede evitar con el cuchillo separador y los trinquetes anti-retroceso.
- g) **Use la cuchilla de sierra apropiada para el cuchillo de separación.** Para que el cuchillo separador funcione correctamente, el diámetro de la cuchilla de sierra debe coincidir con el cuchillo separador adecuada y el cuerpo de la cuchilla de sierra debe ser más delgado que el grosor del cuchillo separador y el ancho de corte de la cuchilla debe ser más ancho que el espesor del cuchillo separador.

2) Advertencias de Procedimientos Corte

- a)  **PELIGRO: Nunca coloque sus dedos o manos cerca o alineadas con la cuchilla de la sierra.** Un momento de falta de atención o un resbalón podría dirigir su mano hacia la hoja de la sierra y provocar lesiones personales graves.
- b) **Alimente la pieza de trabajo con la hoja de la sierra o el cortador sólo contra la dirección de rotación.** Alimentar la pieza de trabajo en la misma dirección en que la hoja de la sierra está girando sobre la mesa, la pieza de trabajo y su mano pueden quedar atrapadas en la cuchilla de la sierra.
- c) **Nunca utilice el calibrador de ingletes para alimentar la pieza de trabajo al realizar el corte y no utilice la guía de corte como un tope de longitud cuando corte transversalmente con el calibre de inglete.** Guiar la pieza de trabajo con la guía de corte y la guía de inglete al mismo tiempo aumenta la probabilidad de que la cuchilla de la sierra se atasque y retroceda.
- d) **Al extraer, aplique siempre la fuerza de alimentación de la pieza de trabajo entre la guía y la cuchilla de la sierra. Use una palanca de empuje cuando la distancia entre la guía y la cuchilla de la sierra sea inferior a 150 mm, y utilice un bloque de empuje cuando esta distancia sea inferior a 50 mm.** Los dispositivos de «ayuda para el trabajo» mantendrán su mano a una distancia segura de la cuchilla de la sierra.
- e) **Use sólo la palanca de empuje provista por el fabricante o construida de acuerdo con las instrucciones.** Esta palanca de empuje proporciona suficiente distancia de la mano desde la cuchilla de la sierra.
- f) **Nunca use una varilla de empuje dañada o cortada.** Una palanca de empuje dañada puede romperse causando que su mano se deslice hacia la cuchilla de la sierra.
- g) **No realice ninguna operación a «mano alzada».** Utilice siempre la guía de corte o el calibrador de ingletes para colocar y guiar la pieza de trabajo. «A mano alzada» significa usar las manos para apoyar o guiar la pieza de trabajo, en lugar de una guía de corte o una guía de ingletes. El aserrado a mano alzada conduce a desalineación, atascamiento y retroceso.
- h) **Nunca se estire alrededor o sobre una cuchilla de sierra mientras gira.** Estirarse para una pieza de trabajo puede provocar un contacto accidental con la cuchilla de la sierra en movimiento.
- i) **Proporcione soporte auxiliar para piezas de trabajo en la parte posterior y/o en los lados de la mesa de la sierra para piezas de trabajo largas y/o anchas para mantenerlas niveladas.** Una pieza de trabajo larga y/o ancha tiene una tendencia a girar en el borde de la mesa, causando la pérdida de control, el atascamiento de la cuchilla de la sierra y retroceso.
- j) **Alimente la pieza de trabajo a un ritmo uniforme.** No doble ni tuerza la pieza de trabajo. Si se produce un atascamiento, apague la herramienta inmediatamente, desconecte la herramienta y luego elimine el atascamiento. El atascamiento de la cuchilla de la sierra en la pieza de trabajo puede causar retroceso o ahogar el motor.
- k) **No retire piezas de material cortado mientras la sierra esté funcionando.** El material puede quedar atrapado entre la guía o dentro de la protección de la cuchilla de la sierra y la cuchilla de la sierra jalando sus dedos hacia la cuchilla de la sierra. Apague la sierra y espere hasta que la cuchilla de la sierra se detenga antes de retirar el material.
- l) **Use una guía auxiliar en contacto con la parte superior de la mesa cuando corte piezas de trabajo de menos de 2 mm (0,08") de grosor.** Una pieza de trabajo delgada puede atorarse debajo de la guía de corte y crear un retroceso.

3) Causas de Retroceso y Advertencias Relacionadas

Retroceso es una reacción repentina de la pieza de trabajo debido a una cuchilla de sierra atorada o atascada en la pieza de trabajo con respecto a la cuchilla de la sierra o cuando una parte de la pieza de trabajo se atasca entre la cuchilla de la sierra y la guía de corte u otro objeto fijo.

Con mayor frecuencia durante el retroceso, la pieza de trabajo se levanta de la mesa por la parte posterior de la cuchilla de la sierra y es impulsada hacia el operador.


El retroceso es el resultado de un mal uso de la sierra y/o procedimientos o condiciones de operación incorrectos y se puede evitar tomando las precauciones adecuadas que se detallan a continuación.

- a) **Nunca se pare directamente en línea con la cuchilla de la sierra.** Siempre coloque su cuerpo en el mismo lado de la cuchilla de sierra que la cerca. El retroceso puede impulsar la pieza de trabajo a gran velocidad hacia cualquier persona que se encuentre al frente y en línea con la cuchilla de la sierra.
- b) **Nunca se estire sobre o por detrás de la cuchilla de la sierra para jalar o sostener la pieza de trabajo.** Se puede producir un contacto accidental con la cuchilla de la sierra o el retroceso puede arrastrar sus dedos hacia la hoja de la sierra.
- c) **Nunca sostenga y presione la pieza de trabajo que se está cortando contra la cuchilla de la sierra mientras gira.** Al presionar la pieza de trabajo que se corta contra la cuchilla de la sierra, se creará una condición de atascamiento y retroceso.
- d) **Alinee la guía para que quede paralela a la cuchilla de la sierra.** Una guía desalineada atraparé la pieza de trabajo contra la cuchilla de la sierra y creará un retroceso.
- e) **Utilice una tabla de peinado para guiar la pieza de trabajo contra la mesa y la guía cuando haga cortes no completos tales como ranurado, ensambladura o aserrado.** Una tabla de peinado ayuda a controlar la pieza de trabajo en caso de un retroceso.
- f) **Tenga precaución adicional cuando realice un corte en áreas ciegas de las partes ensambladas.** La cuchilla de sierra sobresaliente puede cortar objetos que pueden causar retroceso.
- g) **Admite paneles grandes para minimizar el riesgo de atrapamiento y retroceso de la cuchilla de la sierra.** Los paneles grandes tienden a combarse por su propio peso. Los soportes deben colocarse debajo de todas las partes del panel que sobresalen de la parte superior de la mesa.
- h) **Tenga mucho cuidado al cortar una pieza de trabajo que esté retorcida, anudada, deformada o que no tenga un borde recto para guiarla con un calibrador de inglete o a lo largo de la guía.** Una pieza de trabajo deformada, anudada o retorcida es inestable y causa un desalineamiento de la ranura con la cuchilla de la sierra, atascamiento y retroceso.
- i) **Nunca corte más de una pieza de trabajo, apilada vertical u horizontalmente.** La cuchilla de la sierra podría recoger una o más piezas y causar un retroceso.
- j) **Cuando vuelva a arrancar la sierra con la cuchilla de la sierra en la pieza de trabajo, centre la cuchilla de la sierra en la ranura para que los dientes de la sierra no queden atrapados en el material.** Si la cuchilla de la sierra se traba, puede levantar la pieza de trabajo y causar un retroceso cuando se vuelva a arrancar la sierra.
- k) **Mantenga las cuchillas de la sierra limpias, afiladas y con un ajuste suficiente.** Nunca use cuchillas de sierra deformadas o cuchillas de sierra con los dientes rotos o agrietados. Las cuchillas de sierra afiladas y bien ajustadas minimizan el atascamiento, el estancamiento y el retroceso.

4) Advertencias de Procedimiento de Operación de la Sierra de Mesa

- a) **Apague la sierra de mesa y desconecte el paquete de batería cuando retire el inserto de la mesa, cambie la cuchilla de la sierra o realice ajustes a la cuchilla de corte, trinquetes anti-retroceso o la protección de la cuchilla de la sierra, y cuando la máquina se deje desatendida.** Las medidas de precaución evitarán accidentes.
- b) **Nunca deje la sierra de mesa sin supervisión. Apague y no deje la herramienta hasta que se detenga por completo.** Una sierra en operación desatendida es un riesgo no controlado.
- c) **Ubique la sierra de mesa en un área bien iluminada y nivelada donde pueda mantener un buen soporte y equilibrio.** Debe instalarse en un área que sea suficiente para manejar fácilmente el tamaño de su pieza de trabajo. Las áreas estrechas y oscuras, y pisos irregulares y resbalosos invitan a los accidentes.
- d) **Limpie y elimine con frecuencia el aserrín de debajo de la mesa de la sierra y/o el dispositivo de recolección de polvo.** El aserrín acumulado es combustible y puede encenderse.
- e) **La sierra de mesa debe estar asegurada.** Una sierra de mesa que no está bien asegurada puede moverse o volcarse.
- f) **Retire las herramientas, restos de madera, etc. de la mesa antes de encender la sierra de mesa.** La distracción o un posible atasco pueden ser peligrosos.
- g) **Siempre use cuchillas de sierra con el tamaño y la forma correctos (diamante contra redondo) de los orificios del eje.** Las cuchillas de sierra que no coinciden con el hardware de montaje de la sierra funcionarán descentradas, lo que provocará una pérdida de control.
- h) **Nunca utilice medios de montaje de la cuchilla de la sierra dañados o incorrectos, tales como bridas, arandelas de cuchilla de sierra, pernos o tuercas.** Estos medios de montaje fueron diseñados especialmente para su sierra, para un funcionamiento seguro y un rendimiento óptimo.
- i) **Nunca se pare en la sierra de mesa, no la use como un taburete para pararse.** Se pueden producir lesiones graves si la herramienta se inclina o si se hace contacto accidentalmente con la herramienta de corte.
- j) **Asegúrese que la cuchilla de la sierra esté instalada para girar en la dirección correcta.** No use ruedas abrasivas, cepillos de alambre o ruedas abrasivas en una sierra de mesa. La instalación incorrecta de la cuchilla de la sierra o el uso de accesorios no recomendados pueden causar lesiones graves.

Reglas de seguridad adicionales para sierras de banco

- a)  **ADVERTENCIA:** Cortar plástico, madera recubierta de savia y otros materiales puede hacer que el material fundido se acumule en las puntas y el cuerpo de la cuchilla de la sierra, aumentando el riesgo de que la cuchilla se recaliente y se atasque durante el corte.

- **EVITE POSICIONES INCÓMODAS**, en las que un resbalón repentino podría provocar que una mano caiga en la hoja de la sierra.
- No intente recuperar materiales cerca de la hoja en el banco de aserrar mientras la hoja esté girando.
- **NUNCA PONGA LAS MANOS DETRÁS O ALREDEDOR DEL DISCO DE CORTE**, para sostener la pieza de trabajo.
- **MANTENGA SUS BRAZOS, MANOS Y DEDOS ALEJADOS** de la hoja para prevenir lesiones graves.
- **USE UN EMPUJADOR QUE SEA APROPIADO PARA EL TRABAJO, PARA EMPUJAR LAS PIEZAS DE TRABAJO A TRAVÉS DE LA SIERRA.** Un empujador es una vara de madera o plástico, con frecuencia hecha en casa, que debe usarse siempre que el tamaño o la forma de la pieza de trabajo hagan que tenga que colocar las manos a 152 mm (6") de la hoja.
- **UTILICE SUJECIONES, GUÍAS, SOPORTES O REJILLAS PARA AYUDAR A GUIAR Y CONTROLAR LA PIEZA DE TRABAJO.** Los accesorios recomendados para su herramienta están disponibles por un costo adicional en su distribuidor local o en un centro de servicio autorizado. Las instrucciones para fabricar un empujador, una guía auxiliar estrecha para cortes longitudinales, un bloque de empuje y rejillas, están incluidas en este manual.
- **NO REALICE NINGÚN CORTE LONGITUDINAL, CORTE TRANSVERSAL O CUALQUIER OTRA OPERACIÓN A MANO ALZADA.**
- **NUNCA** pase la mano alrededor de o sobre la hoja de la sierra mientras la hoja esté girando.
- **ESTABILIDAD.** Asegúrese de que la sierra de banco esté firmemente montada a una superficie estable y que no se mueva, antes de usarla.
- **LA SIERRA DE BANCO SOLO DEBERÍA INSTALARSE EN UNA SUPERFICIE NIVELADA Y ESTABLE.** El área de trabajo debe estar libre de obstrucciones y peligros de tropiezo. No deben apoyarse materiales o herramientas contra la sierra.
- **JAMÁS CORTE METALES, PLACAS DE FIBROCEMENTO O MAMPOSTERÍA.** Ciertos materiales hechos a mano, tienen instrucciones especiales para ser cortados en sierras de banco. Siga las recomendaciones del fabricante en todo momento. Puede dañarse la sierra y producir lesiones corporales.
- No instale una hoja de mampostería de diamante ni intente usar una sierra de banco como sierra mojada.
- **LA PLACA DE GARGANTA ADECUADA DEBE ESTAR COLOCADA EN SU SITIO EN TODO MOMENTO** para reducir el riesgo de que una pieza de trabajo salga disparada y cause una lesión.
- **USE GUANTES CUANDO MANEJE LAS CUCHILLAS DE LA SIERRA.**
- **USE LA CUCHILLA DE SIERRA CORRECTA PARA LA OPERACIÓN PREVISTA.** La hoja debe rotar hacia la parte frontal de la sierra. Siempre apriete firmemente la tuerca del eje de la hoja. Revise que la hoja no tenga agrietamientos o ni le falten dientes antes de utilizarla. No utilice una hoja roma o dañada.
- **JAMÁS INTENTE LIBERAR UNA HOJA DE SIERRA ATASCADA, SIN ANTES APAGAR LA MÁQUINA Y SACAR LA BATERÍA.** Si una pieza de trabajo o residuo de corte queda atrapado en el interior de la unidad del protector de la hoja, apague la sierra y espere a que la hoja se detenga antes de levantar la unidad del protector de la hoja y sacar la pieza.
- **JAMÁS ARRANQUE LA MÁQUINA** con la pieza de trabajo en contra de la hoja para reducir el riesgo de una pieza de trabajo lanzada y lesiones corporales.
- **NO TENGA NINGUNA PARTE DEL CUERPO ALINEADA CON LA HOJA.** Pueden producirse lesiones corporales. Sitúese a uno de los lados de la hoja.
- **JAMÁS REALICE LA DIAGRAMACIÓN, ENSAMBLADO O AJUSTE DEL TRABAJO** sobre el banco/área de trabajo, cuando la máquina esté en funcionamiento. Un resbalón repentino puede provocar que una mano se mueva hacia la hoja. Podrían producirse lesiones graves.
- **JAMÁS REALICE NINGÚN AJUSTE MIENTRAS LA SIERRA ESTÉ EN FUNCIONAMIENTO** como reposicionar o quitar la guía, ajustar el bloqueo de bisel o ajustar la altura de la hoja.
- **ANTES DE DEJAR LA MÁQUINA, LIMPIE EL BANCO/ÁREA DE TRABAJO.** Coloque el conmutador en la posición (OFF) y retire la batería para prevenir su uso no autorizado.
- Bloquee **SIEMPRE** la guía y el ajuste de bisel antes de cortar.
- **EVITE SOBRECALENTAR LAS PUNTAS DE LA CUCHILLA DE LA SIERRA.** Mantenga el material en movimiento y paralelo a la guía. No fuerce el trabajo hacia la cuchilla.
- **SI CORTA MATERIALES PLÁSTICOS, EVITE FUNDIR EL PLÁSTICO.**
- **NO deje una tabla larga (u otra pieza de trabajo) sin soporte, de tal forma que el resorte de la tabla provoque que cambie su posición sobre el banco, resultando así en una pérdida de control y posibles lesiones.** Suministre un soporte apropiado para la pieza de trabajo, en base a su tamaño y al tipo de operación a ser realizado. Sujete firmemente la pieza de trabajo contra la guía y hacia abajo en contra de la superficie de la banco.
- **Si esta sierra hace un ruido desconocido o si vibra excesivamente, deje de utilizarla inmediatamente, apáguela y saque la batería hasta que se haya identificado y corregido el problema.** Contacte con un centro de servicio de fábrica de DeWalt, un centro de servicio autorizado de DeWALT u otro personal de servicio calificado si no puede identificarse el problema.
- **NO OPERE ESTA MÁQUINA** hasta que esté totalmente ensamblada e instalada según las instrucciones. Una máquina que ha sido ensamblada de manera incorrecta puede ocasionar lesiones graves.
- **JAMÁS** intente cortar una pila de piezas sueltas de material que podrían causar pérdida de control o rebote. Sujete todos los materiales firmemente.
- **NUNCA USE PARA CORTE AHUSADO.**

- **NO GUARDE ESTA HERRAMIENTA CON LA BATERÍA INSTALADA.** Piense en todas las posibles situaciones para asegurarse de que la sierra no se encienda nunca sin querer.
- **NO TRANSPORTE ESTA HERRAMIENTA CON LA BATERÍA INSTALADA.**
- Puede obtenerse **INFORMACIÓN ADICIONAL** acerca del funcionamiento seguro y correcto de las herramientas eléctricas (por ejemplo, un video sobre seguridad) a través del Power Tool Institute, 1300 Sumner Avenue, Cleveland, OH 44115-2851 (www.powertoolinstitute.com). También existe información disponible a través del Consejo de Seguridad Nacional, 1221 Spring Laek Drive, IL 60143-3201. Por favor consulte los Reglamentos OSHA 1910.213 del Departamento de Trabajo de EE.UU.

⚠ ADVERTENCIA: Utilice **SIEMPRE** lentes de seguridad. Los anteojos normales **NO** son lentes de seguridad. Utilice también careta o mascarilla si en la operación de corte se produce polvo. **USE SIEMPRE EQUIPO DE SEGURIDAD CERTIFICADO:**

- Protección ocular según la norma ANSI Z87.1 (CAN/CSA Z94.3),
- Protección auditiva según la norma ANSI S12.6 (S3.19),
- Protección respiratoria según las normas NIOSH/OSHA/MSHA.

⚠ ADVERTENCIA: Parte del polvo generado al lijar, serrar, esmerilar y taladrar, así como al realizar otras actividades de construcción, contiene sustancias químicas que según el Estado de California causan cáncer, defectos de nacimiento u otras afecciones reproductivas. Algunos ejemplos de estas sustancias químicas son:

- plomo procedente de pinturas a base de plomo,
- sílice cristalina procedente de ladrillos y cemento y otros productos de mampostería, y
- arsénico y cromo procedente de madera tratada químicamente.

El riesgo de estas exposiciones varía, dependiendo de la frecuencia con que realiza este tipo de trabajo. Para reducir su exposición a estas sustancias químicas, trabaje en una zona bien ventilada y utilice un equipo de seguridad aprobado, como mascarillas antipolvo que estén diseñadas específicamente para filtrar las partículas microscópicas.

- **Evite el contacto prolongado con el polvo generado al lijar, serrar, esmerilar y taladrar, así como al realizar otras actividades de construcción. Utilice ropa protectora y lave las áreas expuestas con agua y jabón.** El permitir que el polvo le entre en la boca o los ojos o que permanezca sobre la piel puede favorecer la absorción de productos químicos nocivos.

⚠ ADVERTENCIA: El uso de esta herramienta puede generar o dispersar polvo, que puede ocasionar lesiones respiratorias graves y permanentes u otras lesiones. Utilice siempre protección respiratoria apropiada para la exposición al polvo apropiada por NIOSH (Instituto Nacional de Seguridad y Salud en el Trabajo)/OSHA (Administración de Seguridad y Salud en el Trabajo). Aleje la cara y el cuerpo del contacto con las partículas.

AVISO: En ciertas condiciones de uso, como una operación prolongada en condiciones de baja humedad, o cuando se cortan ciertos materiales como bordes molduras de vinilo, pueden producirse cargas electrostáticas en las partes metálicas de la sierra. Al tocar estas partes metálicas se descargará esta estática y puede producirse una breve y ligera, pero inocua descarga eléctrica. Sin embargo, si esto le preocupa, puede llevar la sierra a un centro de servicio DeWALT para una inspección gratuita a fin de asegurarse de que la sierra no tenga ninguna falla eléctrica.

vice center for a free inspection to assure that there is no electrical malfunction of the saw.

La etiqueta de su herramienta puede incluir los siguientes símbolos. A continuación se indican los símbolos y sus definiciones:

V	voltios	~ or AC	corriente alterna
Hz	hertz	⎓ or AC/DC	corriente alterna o directa
min	minutos	☐	Construcción de Clase II (doble aislamiento)
— — — or DC	direct current	no	velocidad sin carga
Ⓢ	Construcción de Clase I (tierra)	n	velocidad nominal
... /min	por minuto	⊕	terminal de conexión a tierra
BPM	golpes por minuto	⚠	símbolo de advertencia de seguridad
IPM	impactos por minuto	⚠	radiación visible
RPM	revoluciones por minuto	☉	protección respiratoria
sfpm	pies de superficie por minuto	☉	protección ocular
SPM	pasadas por minuto	☉	protección auditiva
A	amperios		
W	watios		

LA BATERÍA NO ESTÁ CARGADA

La batería no viene completamente cargada de fábrica. Antes de utilizar la batería y el cargador, lea las siguientes instrucciones de seguridad y luego siga los procedimientos de carga indicados. Cuando pida baterías de repuesto, no olvide indicar el número de catálogo y el voltaje.

Su herramienta utiliza un cargador DeWALT. Lea todas las instrucciones de seguridad antes de usar el cargador. Consulte la tabla al final de este manual para información sobre compatibilidad entre cargadores y baterías.

LEA TODAS LAS INSTRUCCIONES

Instrucciones de Seguridad Importantes Para Todas las Unidades de Batería

⚠ ADVERTENCIA: Lea todas las advertencias de seguridad y todas las instrucciones para la batería, el cargador y la herramienta eléctrica. No seguir las advertencias

y las instrucciones puede provocar una descarga eléctrica, un incendio y/o lesiones graves.

- **No cargue o use la unidad de batería en atmósferas explosivas, como en presencia de líquidos, gases o polvos inflamables.** Puede que al insertar o sacar la unidad de batería del cargador se inflamen el polvo o los gases.
 - **NUNCA fuerce la unidad de batería para que entre en el cargador. NO modifique la unidad de batería en ninguna forma para que entre en un cargador no compatible, pues puede producir una ruptura en la unidad de batería y causar lesiones corporales graves.** Consulte la tabla al final de este manual para ver la compatibilidad entre baterías y cargadores.
 - *Cargue las unidades de batería sólo en los cargadores designados por DeWALT.*
 - **NO salpique con ni sumerja en agua u otros líquidos.**
 - **No guarde ni use la herramienta y unidad de batería en lugares donde la temperatura pueda alcanzar o superar los 40 °C (104 °F), tales como cobertizos o construcciones de metal durante el verano.** Almacene las unidades de batería en lugares frescos y secos para maximizar su vida útil.
- NOTA: No almacene las unidades de batería en la herramienta con el interruptor de gatillo en posición encendida fija. Nunca use cinta adhesiva para mantener el interruptor de gatillo en posición ENCENDIDA.**
- **No exponga un paquete de batería o herramienta/aparato a fuego o temperatura excesiva.** La exposición a fuego o temperatura mayor a 130°C (265°F) puede causar una explosión.
 - **No incinere la unidad de batería, aunque esté completamente dañada o descargada. La unidad de batería puede explotar si se quema.** Cuando se queman unidades de batería de iones de litio, se producen gases y materiales tóxicos.
 - **Si el contenido de la batería entra en contacto con la piel, lave el área de inmediato con agua y un jabón suave.** Si el líquido de la batería entra en contacto con sus ojos, enjuáguelos con agua y los ojos abiertos por 15 minutos o hasta que cese la irritación. Si se requiere de asistencia médica, el electrolito de la batería está compuesto por una mezcla de carbonatos orgánicos líquidos y sales de litio.
 - **El contenido de los elementos abiertos de la batería puede causar irritación en el tracto respiratorio.** Salga al aire fresco. Si los síntomas persisten, busque asistencia médica.

ADVERTENCIA: Peligro de quemaduras. El líquido de la batería puede ser inflamable si se expone a chispas o llamas.

ADVERTENCIA: Peligro de incendio. Nunca intente abrir la unidad de batería por ningún motivo. Si la caja exterior de la unidad de batería se triza o daña, no la introduzca en el cargador. No triture, deje caer o dañe la unidad de batería. No use una unidad de batería o un cargador que haya sido golpeado, dejado caer, atropellado o dañado en cualquier forma (por ejemplo, perforado por un clavo, golpeado con un martillo, pisado). Lleve sus unidades de batería dañadas al centro de servicio para que sean recicladas.

Transporte

ADVERTENCIA: Peligro de incendio. No guarde o transporte la batería de forma que los terminales expuestos de la misma puedan estar en contacto con objetos metálicos. Por ejemplo, no ponga la batería en delanteles, bolsillos, cajas de herramientas, estuches de productos, cajones, etc., junto con clavos, tornillos, y llaves, etc. sueltos. El transporte de baterías puede causar incendios si sus terminales inadvertidamente entran en contacto con materiales conductores como llaves, monedas, herramientas manuales y otros por el estilo. El Reglamento sobre Materiales Peligrosos (HMR) del Departamento de Transporte de EE.UU. prohíbe transportar baterías comercialmente o en aviones en el equipaje de mano A MENOS que estén debidamente protegidas contra cortocircuitos. Por lo tanto, cuando transporte baterías individuales, asegúrese de que sus terminales estén protegidos y debidamente aislados de los materiales que pudieran entrar en contacto con ellos y provocar un cortocircuito. **NOTA:** Las baterías de iones de litio no deben colocarse dentro del equipaje registrado.

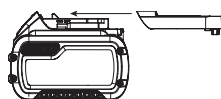
Transporte De La Batería Flexvolt™ De DeWALT

La batería FLEXVOLT™ de DeWALT tiene dos modalidades: **Uso** y **transporte**.

Modalidad de uso: Cuando la batería FLEXVOLT™ está independiente o está en un producto DeWALT de 20 V Máx* funcionará como una batería de 20 V Máx*. Cuando la batería FLEXVOLT™ está en un producto de 60 V Máx* o 120 V Máx* (dos baterías de 60 V Máx*), funcionará como una batería de 60V Máx*.

Modalidad de transporte: Cuando la batería FLEXVOLT™ tiene puesta la tapa, la batería está en modalidad de transporte. Cadenas de celdas están desconectadas eléctricamente dentro de la unidad de batería, lo que resulta en tres baterías con una capacidad nominal de vatios hora (Wh) inferior comparada con una batería con una capacidad nominal de vatios hora superior. Esta mayor cantidad de tres baterías con una capacidad nominal de vatios-hora menor puede hacer que la unidad de batería quede exenta de ciertos reglamentos de transporte que se imponen a las baterías con mayor capacidad nominal de vatios-hora.

La etiqueta en la batería indica dos capacidades nominales de vatios-hora (ver el ejemplo). Dependiendo de cómo se transporta la batería, debe usarse la capacidad nominal vatios-hora apropiada para determinar los requisitos de transporte aplicables. Si se utiliza la tapa de transporte, la unidad de batería será considerada tres baterías con la capacidad nominal de vatios-hora indicada para «Transporte». Si se transporta sin la tapa o en una herramienta, la



unidad de batería será considerada una batería con la capacidad nominal de vatios-hora indicada al lado de «Uso».

EJEMPLO DE MARCADO EN ETIQUETA DE USO Y TRANSPORTE

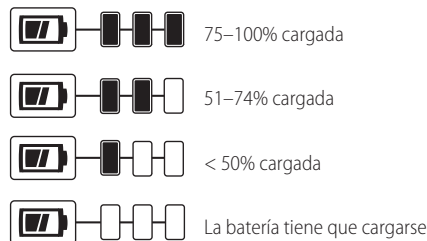
USE: 120 Wh Shipping: 3 x 40 Wh

La capacidad nominal de transporte vatios hora (Wh) indica 3 x 40 Wh, lo cual significa 3 baterías de 40 vatios hora cada una. La capacidad nominal de uso Wh indica 120 vatios hora (se implica una batería).

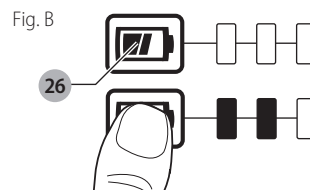
Unidades de Batería con Indicador de Carga (Fig. B)

Algunas unidades de batería DeWALT incluyen un indicador de carga que consiste de tres luces LED verdes que indican el nivel de carga que queda en la unidad de batería.

El indicador de carga es una indicación de niveles aproximados de carga que quedan en la batería según los indicadores siguientes:



Para activar el indicador de carga, presione y sostenga el botón del indicador **26**. Se iluminará una combinación de las tres luces LED verdes, que indicará el nivel de carga que queda. Cuando el nivel de carga está por debajo del nivel útil, el indicador no se iluminará, y la batería deberá recargarse.



NOTA: El indicador de carga es sólo eso: un indicador de la carga de la unidad de batería. No indica el nivel de funcionalidad de la herramienta y puede variar de acuerdo a las piezas del producto, la temperatura y la aplicación que el usuario le dé.

Para mayor información sobre unidades de batería con indicadores de carga, por favor llame al 1-800-4-DeWALT (1-800-433-9258) o visite nuestro sitio Web: www.dewalt.com.

El sello RBRC®

El sello RBRC® (Rechargeable Battery Recycling Corporation) en las baterías (unidades de batería) de níquel cadmio, níquel e hidruro metálico o de iones de litio indica que el costo de reciclaje de estas baterías (o unidades de batería) al llegar al final de su vida de servicio ya ha sido pagado por DeWALT. En algunas áreas, es ilegal depositar baterías de níquel cadmio, níquel e hidruro metálico o de iones de litio gastadas en la basura o la corriente de residuos sólidos urbanos; el programa Call 2 Recycle® proporciona una alternativa ecológica.

Call 2 Recycle, Inc., en cooperación con DeWALT y otros usuarios de baterías, han establecido programas en los Estados Unidos y Canadá para facilitar la recolección de baterías de níquel cadmio, níquel e hidruro metálico o de iones de litio gastadas. Al llevar sus baterías de níquel cadmio, níquel e hidruro metálico y de iones de litio gastadas a un centro de servicio autorizado por DeWALT o al minorista local para que sean recicladas, ayuda a proteger el medio ambiente y a conservar recursos naturales. También puede comunicarse con el centro de reciclaje de su localidad para mayor información sobre dónde llevar sus baterías gastadas.

RBRC® es una marca comercial registrada de Call 2 Recycle, Inc.



Instrucciones Importantes de Seguridad Para Todos los Cargadores de Baterías

ADVERTENCIA: Lea todas las advertencias de seguridad y todas las instrucciones para la batería, el cargador y la herramienta eléctrica. No seguir las advertencias y las instrucciones puede provocar una descarga eléctrica, un incendio y/o lesiones graves.

- **NO intente cargar la unidad de batería con otros cargadores que no sean los descritos en este manual.** El cargador y la unidad de batería fueron específicamente diseñados para trabajar en conjunto.
- **Estos cargadores no fueron diseñados para ser utilizados para más que cargar las baterías recargables DeWALT.** Cualquier otro uso puede producir riesgo de incendios, descargas eléctricas o electrocución.
- **No exponga el cargador a la lluvia o a la nieve.**
- **Tire del enchufe y no del cable cuando desconecte el cargador.** De esta forma se reduce el riesgo de daño al enchufe y cable.
- **Asegúrese de que el cable no sea ubicado de manera que podría ser pisado, causar que alguien tropiece con él o ser expuesto a otro tipo de daños y desgastes.**

- **No use un alargador a menos que sea absolutamente necesario.** El uso de un alargador incorrecto podría producir riesgo de incendios, descargas eléctricas o electrocución.
- **Cuando opere un cargador al exterior, hágalo siempre en un lugar seco y use un alargador apropiado para uso al exterior.** El uso de un alargador apropiado para uso al exterior reduce el riesgo de descarga eléctrica.
- **Los hilos del alargador deben ser de un calibre apropiado (AWG o American Wire Gauge) para su seguridad.** Mientras menor sea el calibre del hilo, mayor la capacidad del cable. Es decir, un hilo calibre 16 tiene mayor capacidad que uno de 18. Un cable de un calibre insuficiente causará una caída en la tensión de la línea dando por resultado una pérdida de energía y sobrecalentamiento. Cuando se utilice más de un alargador para completar el largo total, asegúrese que los hilos de cada alargador tengan el calibre mínimo. La tabla siguiente muestra el tamaño correcto a utilizar, dependiendo de la longitud del cable y del amperaje nominal de la placa de identificación. Si tiene dudas sobre cuál calibre usar, use un calibre mayor. Cuanto menor sea el número del calibre, más resistente será el cable.

Calibre mínimo de conjuntos de cables

Voltios		Longitud total del cable en pies (metros)			
120 V		25 (7,6)	50 (15,2)	100 (30,5)	150 (45,7)
240 V		50 (15,2)	100 (30,5)	200 (61,0)	300 (91,4)
Amperaje nominal		AWG			
Más de	Más de				
0	6	18	16	16	14
6	10	18	16	14	12
10	12	16	16	14	12
12	16	14	12	Not Recommended	

- **No coloque ningún objeto encima del cargador ni coloque a este sobre una superficie blanda que pudiera bloquear las ranuras de ventilación y resultar en un calor interno excesivo.** Coloque el cargador en un lugar alejado de cualquier fuente de calor. El cargador se ventila a través de las ranuras que se encuentran en la parte superior e inferior de la caja protectora.
- **No opere el cargador si su cable o enchufe están dañados.**
- **No opere el cargador si ha recibido un golpe agudo, si se ha caído o si ha sido dañado de alguna otra forma.** Llévelo a un centro de servicio autorizado.
- **No desarme el cargador; llévelo a un centro de servicio autorizado cuando deba ser reparado.** Si es reensamblado incorrectamente, puede causar descargas eléctricas, electrocución o incendios.
- **Desenchufe el cargador antes de intentar limpiarlo.** Esto reducirá el riesgo de descargas eléctricas. El retirar el paquete de baterías no reducirá este riesgo.
- **NUNCA intente conectar 2 cargadores entre sí.**
- **El cargador está diseñado para operar con una corriente eléctrica estándar residencial de 120 V. No intente usarlo con ningún otro voltaje.** Esto no aplica al cargador vehicular.

⚠ ADVERTENCIA: Peligro de descarga eléctrica. No permita que ningún líquido se introduzca en el cargador. Puede producir descargas eléctricas.

⚠ ADVERTENCIA: Peligro de quemaduras. No sumerja la unidad de batería en líquido de ningún tipo ni permita que se introduzca ningún tipo de líquido a la unidad de batería. Nunca intente abrir la unidad de batería por ningún motivo. Si la caja plástica de la unidad de batería se triza o rompe, llévela a un centro de servicio para su reciclaje.

⚠ ATENCIÓN: Peligro de quemaduras. Para reducir el riesgo de lesiones, sólo cargue unidades de batería recargables marca DeWALT. Otros tipos de batería podrían sobrecalentarse y reventar lo que podría resultar en lesiones corporales y daños a su propiedad.

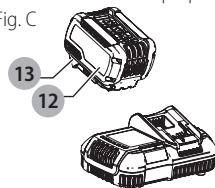
⚠ ATENCIÓN: Cuando no se esté utilizando la batería, manténgala alejada de otros objetos de metal, como clips, monedas, llaves, clavos, tornillos u otros objetos metálicos pequeños que pueden hacer una conexión de un terminal a otro. Un cortocircuito entre los terminales de la batería puede ocasionar quemaduras o un incendio.

AVISO: Bajo ciertas condiciones, cuando el cargador está enchufado a una toma de corriente, el cargador puede hacer cortocircuito si entra en contacto con algún material ajeno. Los materiales ajenos de naturaleza conductora, como el polvo de esmerilado, las placas de metal, la lana de acero, el papel de aluminio y otros, o cualquier acumulación de partículas metálicas deberían mantenerse alejados de las cavidades del cargador. Desenchufe siempre el cargador cuando no haya una unidad de batería en su cavidad. Desenchufe el cargador antes de intentar limpiarlo.

Carga de una batería (Fig. C)

1. Enchufe el cargador en una toma de corriente apropiada antes de introducir la batería.

Fig. C



2. Inserte la batería **12** en el cargador, comprobando esté bien fija. La luz roja (de carga) parpadeará continuamente para indicar que se ha iniciado el proceso de carga.
3. La luz roja se quedará ENCENDIDA continuamente cuando se haya completado el proceso de carga. La batería estará entonces completamente cargada y podrá ser utilizada de

inmediato o dejarse en el cargador. Para sacar la batería del cargador, presione el botón de liberación **13** de la batería.

NOTA: Para asegurar el máximo rendimiento y vida útil de las baterías de iones de litio, cargue la batería completamente antes de usarla por primera vez.

Funcionamiento del cargador

Consulte los indicadores a continuación relativos al estado de carga de la batería.

	Unidad en Proceso de Carga	--- ---	
	Unidad Cargada	————	
	Retraso por Unidad Caliente/Frío*	--- ---	

***DCB107, DCB112, DCB113, DCB115, DCB118:** La luz roja continuará parpadeando, pero una luz indicadora amarilla estará iluminada durante esta operación. Una vez que la batería haya llegado a una temperatura apropiada, la luz amarilla se apagará y el cargador continuará con el procedimiento de carga.

El cargador no cargará una batería defectuosa. El cargador indicará que la unidad de batería es defectuosa al no iluminarse o al indicar que existe un problema con la unidad o el cargador.

NOTA: Esto también puede significar que hay un problema con el cargador.

Si el cargador indica un problema, lleve el cargador y la batería a un centro de servicio autorizado para que sean sometidos a pruebas.

Retraso por batería caliente/fría

Cuando el cargador detecta que una batería está demasiado caliente o demasiado fría, inicia automáticamente un Retraso por batería caliente/fría y suspende la carga hasta que la batería alcanza una temperatura adecuada. En ese momento, el cargador inicia automáticamente el modo de carga de la batería. Esta función garantiza la máxima duración de la batería.

Una batería fría se carga más lentamente que una batería caliente. La batería se cargará a ese ritmo más lento durante todo el ciclo de carga y no volverá a cargarse a la velocidad de carga máxima incluso si la batería se calienta.

El cargador DCB118 está equipado con un ventilador interno diseñado para enfriar la batería. El ventilador se encenderá automáticamente cuando la batería tenga que enfriarse.

No opere nunca el cargador si el ventilador no funciona adecuadamente o si las ranuras de ventilación están obstruidas. No permita que entren objetos extraños dentro del cargador.

Sistema de protección electrónica

Las herramientas con baterías de iones de litio están diseñadas con un Sistema de protección electrónico que protegerá la batería contra la sobrecarga, el sobrecalentamiento o la descarga completa.

La herramienta se apagará automáticamente si el Sistema de protección electrónico se activa. Si esto ocurre, coloque la batería de iones de litio en el cargador hasta que esté totalmente cargada.

Montaje en la pared

DCB107, DCB112, DCB113, DCB115, DCB118

Estos cargadores están diseñados para montarse en la pared o colocarse en posición vertical sobre una mesa o superficie de trabajo. Si lo monta en la pared, coloque el cargador al alcance de una toma de corriente eléctrica y alejado de las esquinas u otras obstrucciones que puedan impedir el flujo de aire. Utilice la parte de atrás del cargador como plantilla para la ubicación de los tornillos de montaje en la pared. Monte el cargador firmemente utilizando tornillos para muro seco (comprados por separado) de un mínimo de 25,4 mm (1") de largo, con una cabeza de un diámetro de 7-9 mm (0,28-0,35"), atornillados en madera hasta una profundidad óptima dejando el tornillo expuesto aproximadamente 5,5 mm (7/32"). Alinee las ranuras en la parte trasera del cargador con los tornillos expuestos e introdúzcalos totalmente en las ranuras.

Instrucciones de limpieza del cargador

⚠ ADVERTENCIA: Riesgo de descarga eléctrica. Desconecte el cargador del tomacorriente de CA antes de limpiarlo. Para limpiar la suciedad y grasa del exterior del cargador puede usarse un paño o cepillo suave no metálico. No use agua ni soluciones limpiadoras.

Notas importantes sobre la carga

1. Se puede obtener una mayor duración y un mejor rendimiento si la unidad de batería se carga a una temperatura ambiente de 18 – 24 °C (65 – 75 °F). NO cargue la unidad de batería a una temperatura ambiental inferior a +4.5 °C (+40 °F) o superior a +40 °C (+104 °F). Esto es importante y evitará causar daños graves a la batería.
2. Puede que el cargador y la unidad de batería se calienten ligeramente durante el proceso de carga. Esto es normal y no representa ningún problema. Para facilitar el enfriamiento de la unidad de batería después del uso, evite colocar el cargador o la unidad de batería en un lugar cálido, como un cobertizo metálico o un remolque sin aislamiento térmico.
3. Si la unidad de batería no se carga correctamente:
 - a. Verifique el funcionamiento de la toma enchufando una lámpara u otro aparato;
 - b. Revise que la toma de corriente no esté conectada a un interruptor de luz que corte la corriente cuando se corte la luz;
 - c. Mueva el cargador y la unidad de batería a un lugar donde la temperatura ambiental sea aproximadamente 18 – 24 °C (65 – 75 °F);
 - d. Si el problema de carga continúa, lleve la herramienta, unidad de batería y el cargador a su centro de servicio local.

- La unidad de batería debería ser recargada cuando no sea capaz de producir suficiente potencia para trabajos que eran fácilmente realizados antes. NO CONTINÚE usándola bajo estas circunstancias. Siga el procedimiento de carga. También puede cargar una unidad de batería que haya sido usada parcialmente cuando lo desee, sin dañarla.
- Los materiales ajenos conductores por naturaleza, tales como, pero sin limitarse a, el polvo del esmerilado, las virutas metálicas, la lana de acero, el papel de aluminio o cualquier acumulación de partículas metálicas deberían mantenerse alejados de las cavidades del cargador. Desenchufe siempre el cargador de la toma de corriente cuando no haya una unidad de batería en su cavidad. Desenchufe el cargador antes de intentar limpiarlo.
- No congele ni sumerja el cargador en agua o cualquier otro líquido.

Recomendaciones de almacenamiento

- El mejor lugar de almacenamiento es uno que sea fresco y seco, lejos de la luz solar directa y del exceso de calor o frío.
- Para resultados óptimos durante tiempos prolongados de almacenamiento, se recomienda almacenar la unidad de batería completamente cargada en un lugar fresco y seco fuera del cargador.

NOTA: Las unidades de batería no deberían almacenarse completamente descargadas. La unidad de batería deberá recargarse antes de ser usada.

GUARDE ESTAS INSTRUCCIONES PARA VOLVER A CONSULTAR EN EL FUTURO

Especificaciones

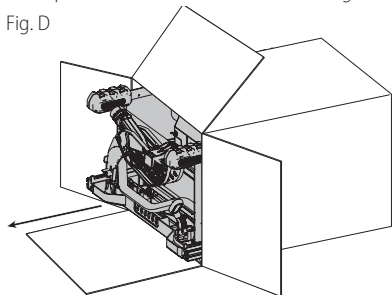
Tamaño del banco	485 x 485 mm (19 x 19")
Ángulo de inglete	30° izquierdo y derecho
Ángulo de biselado	-2° a 47° izquierdo
Tamaño de la hoja	210 mm (8-1/4")
Profundidad de corte máx, bisel 0°	65 mm (2-9/16")
Profundidad de corte máx, bisel 45°	45 mm (1-3/4")
RPM, sin carga	5800

Desembalaje (Fig. D)

⚠ ADVERTENCIA: Para reducir el riesgo de lesiones, NO instale la batería hasta que la sierra de banco esté totalmente ensamblada y haya leído todo el manual de instrucciones.

Abra la caja y deslice la sierra para sacarla como se muestra en la Figura D.

Fig. D



Desembale con cuidado la sierra de banco y todas las piezas sueltas de la caja. Examine todas las piezas para asegurarse de que no se hayan dañado durante el transporte. Si alguna pieza falta o está dañada, póngase en contacto con su distribuidor para cambiarla antes de intentar ensamblar la herramienta.

COMPONENTES (FIG. A)

⚠ ADVERTENCIA: Jamás altere la herramienta eléctrica ni ninguna de sus piezas. Podrían producirse lesiones corporales o daños.

Consulte la Figura A al principio de este manual para obtener una lista completa de los componentes.

USO DEBIDO

Esta sierra de banco está diseñada para ser utilizada por profesionales de la construcción en aplicaciones de corte longitudinal, corte transversal, corte a inglete, biselado y corte sin traspaso en madera, plástico y otros materiales blandos.

NO debe usarse para cortar metal, paneles de cemento o mampostería.

NO deben usarse en esta sierra fresas rotativas para ranurar o moldear.

NO debe usarse en condiciones húmedas ni en presencia de líquidos o gases inflamables.

NO permita que los niños toquen la herramienta. Si el operador no tiene experiencia utilizando esta herramienta, deberá ser supervisado.

ENSAMBLAJE

⚠ ADVERTENCIA: Riesgo de descarga eléctrica. Para reducir el riesgo de lesión corporal grave, apague la máquina y desconecte la batería antes de intentar moverla, cambiar accesorios o realizar ajustes. La puesta en marcha accidental puede causar lesiones.

Orden de ensamblaje (Fig. A)

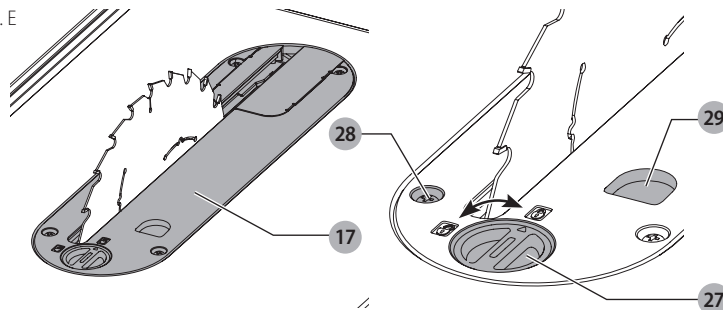
- Desbloquee y retire la placa de garganta **17**. Consulte la sección **Desensamblaje de la placa de garganta**.
- Asegúrese de que la hoja esté instalada correctamente y la tuerca del eje esté apretada. Use las llaves **21** almacenadas en la herramienta. Consulte la Figura A.
- Coloque la unidad del protector de la hoja **11**.
- Instale la unidad anti-rebote **14** a la unidad del protector.
- Instale y bloquee la placa de garganta **17**. (**NOTA:** Ajuste los tornillos de nivelado antes de continuar. Consulte **Instalación de la placa de garganta**.)
- Instale la guía para cortes longitudinales **18**. (**NOTA:** Ajuste la escala para cortes longitudinales antes de continuar. Consulte **Ajuste de la escala para cortes longitudinales**.)

NOTA: Para instalar esta sierra de banco a un soporte, siga las instrucciones incluidas con la unidad del soporte.

Instalación de la placa de garganta (Fig. E)

- Alinee la placa de garganta **17** como se muestra en la Figura E, e inserte las lengüetas de la parte posterior de la placa de garganta en los orificios en la parte posterior de la abertura del banco.
- Gire la leva en el sentido contrario a las manillas del reloj hasta que la parte frontal de la placa de garganta se acople en su sitio. Fije el ensamblaje rotando la perilla de bloqueo de la leva **27** 1/4 de vuelta en el mismo sentido de las manillas del reloj (cuando el seguro de la leva está bajo el banco sosteniendo la placa de garganta en su sitio).
- La placa de garganta incluye cuatro tornillos de ajuste **28** que levantan o bajan la placa de garganta. Cuando se ajusta correctamente, la parte frontal de la placa de garganta debe quedar nivelada o ligeramente por debajo de la superficie superior del banco y fijado en su sitio. La parte posterior de la placa de garganta debe quedar nivelada o ligeramente por encima de la parte superior del banco.

Fig. E



Desensamblaje de la placa de garganta.

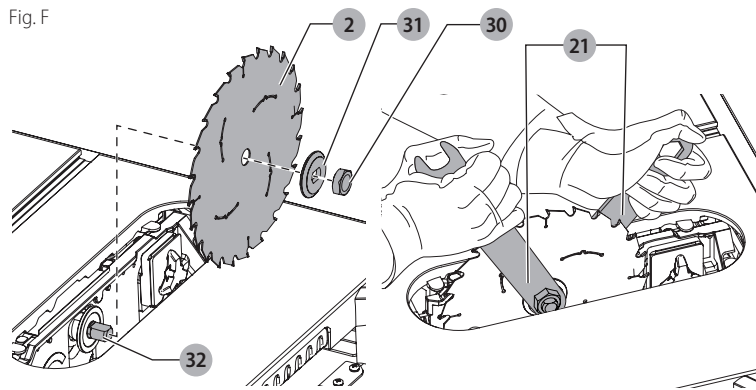
- Retire la placa de garganta **17** haciendo girar la perilla de bloqueo de la leva **27** 1/4 de vuelta en el sentido contrario a las manillas del reloj.
- Utilizando el orificio para el dedo **29** en la placa, jale la placa de garganta hacia arriba y hacia adelante para dejar al descubierto el interior de la sierra. **NO** opere la sierra sin la placa de garganta.

⚠ ADVERTENCIA: Para reducir el riesgo de lesión corporal grave, la placa de garganta debe estar bloqueada en todo momento.

Instalación/cambio de la hoja (Fig. A, E, F)

- Levante el eje de la hoja de la sierra hasta su altura máxima girando la rueda de ajuste de altura de la hoja **6** en el mismo sentido de las manillas del reloj.
- Saque la placa de garganta **17**.
- Retire la tuerca del eje **30** y la arandela de sujeción **31** del eje de la sierra girando en el sentido contrario a las manillas del reloj.

Fig. F



- Coloque la hoja de la sierra en el eje **32** asegurándose de que los dientes de la hoja **2** apunten hacia abajo en la parte delantera del banco. Ensamble la arandela de sujeción **31** y la tuerca del eje y apriete la tuerca del eje **30** lo más posible a mano, asegurándose de que la hoja de la sierra esté contra la pestaña interior de la arandela de sujeción contra la hoja. Compruebe que el diámetro mayor de la arandela de sujeción esté contra la hoja. Compruebe que el eje y la arandela de sujeción no tengan polvo y residuos.

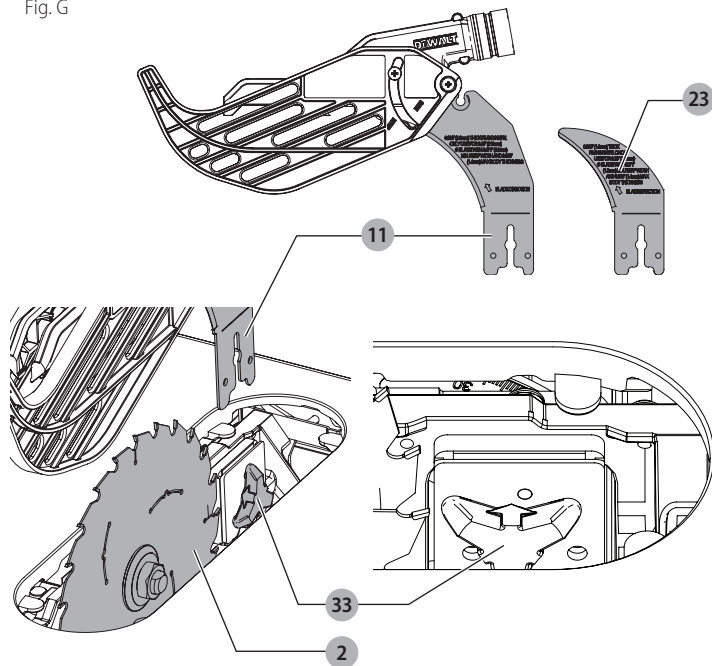
- Utilice el extremo abierto de la llave **21** para evitar que el eje gire al apretar la tuerca del eje.
- Utilizando la otra llave, apriete la tuerca del eje **30** girándola en el sentido de las manillas del reloj.
- NOTA:** Distintos tipos de hoja hacen distintos cortes (anchura de cortes). Por lo tanto, es necesario comprobar el ajuste de la escala de cortes longitudinales al cambiar las hojas. La hoja de repuesto no DEBE exceder el grosor indicado en el cuchillo separador. El cuchillo separador suministrado con la sierra tiene 1,6 mm (0,087") de grosor.

Instalación/retiro de la unidad del protector de la hoja y el cuchillo separador (Fig. G)

⚠ ADVERTENCIA: Use la unidad del protector de la hoja para realizar cortes completos con traspaso.

NOTA: La sierra se envía con el cuchillo separador para cortes sin traspaso instalado.

Fig. G



- Levante el eje de la hoja de sierra hasta su altura máxima.
- Afloje la perilla de bloqueo del cuchillo separador **33** (mínimo tres vueltas).
- Para desbloquear el pasador de seguro del cuchillo separador, empuje la perilla de bloqueo hacia el cuchillo separador como indican las flechas amarillas en la perilla.
- Mientras empuja la perilla de bloqueo, levante el cuchillo separador de la abrazadera. Luego deslice la unidad del protector de la hoja en la abrazadera hasta que llegue al fondo.

⚠ ADVERTENCIA: No inserte al mismo tiempo la unidad del protector y el cuchillo separador en la abrazadera.

- Libere la perilla de bloqueo para activar el seguro de bloqueo. Jale ligeramente hacia arriba el protector de la hoja para asegurarse de que el seguro esté activado.
- Apriete la perilla de bloqueo del cuchillo separador.
- Vuelva a instalar la placa de garganta.
- Para retirar la unidad del protector de la hoja, siga estos pasos en orden inverso.

NOTA: Siga los mismos pasos de arriba para la instalación del cuchillo separador.

⚠ ADVERTENCIA: Antes de insertar la batería en la sierra de banco o de utilizar la sierra, inspeccione siempre la unidad del protector de la hoja y el cuchillo separador para verificar una alineación y espacio adecuados con la hoja de la sierra. Compruebe la alineación después de cada cambio del ángulo de bisel.

NOTA: NO opere la sierra si el pasador del seguro del cuchillo separador no está bloqueado en el protector de hoja o cuchillo separador.

Cuando está alineado adecuadamente, el cuchillo separador estará alineado con la hoja en el nivel superior del banco y en la parte superior de la hoja. Usando un borde recto, asegúrese de que la hoja **2** esté alineada con el cuchillo separador **23**. Con la electricidad desconectada, ponga en funcionamiento los ajustes de inclinación y altura de la hoja a través de los extremos de viaje y asegúrese de que la unidad del protector de la hoja despeje la hoja en todas las operaciones y que la unidad anti-rebote esté funcionando.

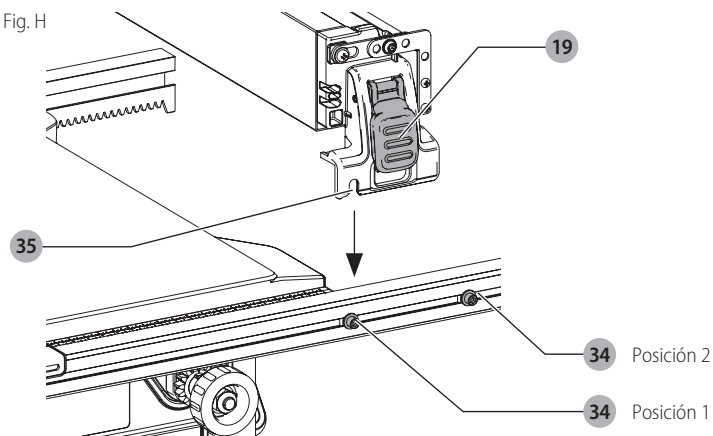
Montaje de la guía para cortes longitudinales (Fig. H)

La guía para cortes longitudinales puede instalarse en dos posiciones a la derecha (posición 1 para corte longitudinal de 0 a 20" y posición 2 para corte longitudinal, de 4 a 24") y una posición a la izquierda en su sierra de banco.

- Alinee los pasadores posicionadores **34** en los rieles de la guía con las ranuras **35** en cada extremo de la guía.
- Coloque la guía en el riel como se muestra en la Figura H manteniendo la alineación del pasador y la ranura en ambos extremos de la guía.

- Asegure la guía para cortes longitudinales encajando los pasadores **19** en los rieles. Asegúrese de que encajen en su sitio los seguros delantero y trasero.

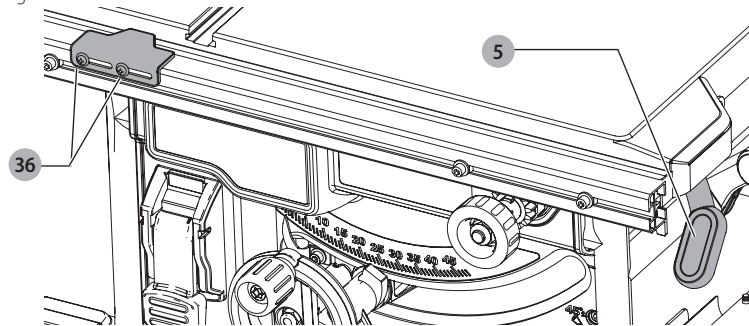
Fig. H



Ajuste de la escala para cortes longitudinales (Fig. I)

- Desbloquee la palanca de bloqueo del riel **5**.
- Fije la hoja a un bisel de 0° y mueva la guía hacia adentro hasta que toque la hoja.
- Bloquee la palanca de bloqueo del riel.
- Afloje los tornillos del indicador de la escala para cortes longitudinales **36** y fije el indicador para que marque cero (0). Vuelva a apretar los tornillos del indicador de la escala para cortes longitudinales. La escala amarilla para cortes longitudinales (superior) marca correctamente solo cuando la guía está montada en la parte derecha de la hoja y está en la posición 1 (para cortes longitudinales de 0 a 20") [no en la posición de corte longitudinal de 24"]. La escala blanca (inferior) marca correctamente solo cuando la guía está montada en el lado derecho de la hoja y en la posición 2 (para cortes longitudinales de 4 a 24"). Se dispone de una escala métrica por un costo adicional, consulte la sección **Accesorios** para obtener más detalles.

Fig. I



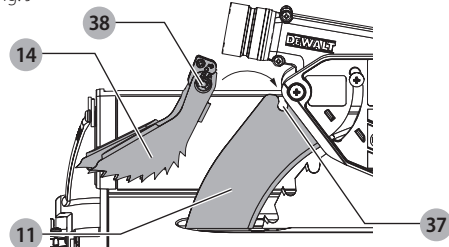
Unidad anti-rebote (Fig. J)

⚠ ADVERTENCIA: Para reducir el riesgo de lesión corporal grave, la unidad anti-rebote debe estar en su sitio para todos los posibles cortes.

- Retire la unidad anti-rebote **14** de la posición de almacenamiento presionando el vástago. Consulte la sección **Almacenamiento**.
- Ubique la ranura de montaje anti-rebote **37** en la parte superior trasera de la unidad del protector de la hoja **11**.
- Alinee el vástago **38** con la ranura de montaje. Presione el vástago (II) y empuje hacia abajo en la unidad anti-rebote **14** hasta que encaje y quede bloqueado en su sitio.
- Para sacar la unidad anti-rebote, presione el vástago y tire hacia arriba y hacia afuera de la ranura de montaje.

Con la batería quitada, ponga en funcionamiento los ajustes de inclinación y altura a través de los extremos de viaje y asegúrese de que la unidad del protector de la hoja despeje la hoja en todas las operaciones y que la unidad anti-rebote esté funcionando.

Fig. J



Montaje sobre banco (Fig. A)

NOTA: Un soporte de sierra de banco portátil está diseñado para ser utilizado con esta sierra y puede obtenerse de un distribuidor o centro de servicio DEWALT por un costo adicional.

⚠️ ADVERTENCIA: Para disminuir el riesgo de lesiones corporales graves, apague la herramienta y extraiga la batería antes de realizar cualquier ajuste o de quitar o instalar accesorios. La puesta en marcha accidental puede causar lesiones.

⚠️ ADVERTENCIA: Para reducir el riesgo de lesiones, la sierra debe estar bien sujeta para evitar un movimiento imprevisto durante el uso.

La sierra de banco debe estar firmemente montada a un soporte, banco de trabajo u otro apoyo rígido y estable para que la sierra no se mueva mientras se corta y no pueda ser volcada por grandes piezas de material que cuelguen. Se proporcionan cuatro orificios de montaje 9 en la estructura de metal para que la sierra de banco esté bien fijada a un soporte u otro medio de apoyo.

1. Centre la sierra en la superficie de trabajo estable deseada.
2. Atornille cuatro tornillos largos de 88,9 mm (3 1/2") a través de los orificios 9 de la estructura de metal. Asegúrese de que los tornillos traspasen la estructura y ajústelos firmemente a la superficie de trabajo de apoyo.

NOTA: Si le preocupa estropear la superficie de trabajo de apoyo, la sierra de banco puede montarse sobre madera de desecho, que luego puede sujetarse a la superficie de trabajo deseada.

3. Corte una pieza de contrachapado de 19 mm (3/4") que quepa debajo de la superficie que ocupa la sierra.
4. Atornille la sierra a la pieza de contrachapado y sujete el trozo de contrachapado que cuelgue a la superficie de trabajo. Si los tornillos sobresalen de la base de contrachapado, instálela en dos piezas de material de desecho de igual grosor y sujételas a los bordes del contrachapado para sujetar la sierra más lejos de la superficie de trabajo y evitar que los tornillos estropeen la superficie.

ASSEMBLAGE ET AJUSTEMENTS

(if there is no assembly, this section may be Adjustements)

⚠️ AVERTISSEMENT: pour réduire le risque de blessures graves, éteindre l'outil et retirer le bloc-piles avant d'effectuer tout réglage et d'enlever ou d'installer tout accessoire. Un démarrage accidentel peut provoquer des blessures.

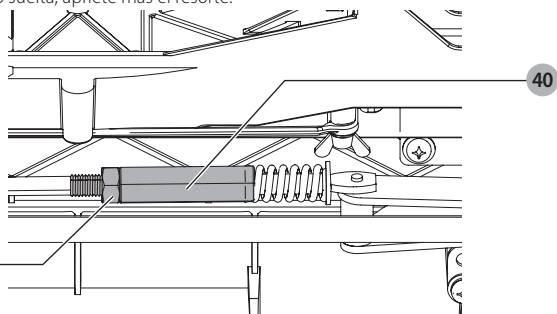
NOTA: Esta sierra está completa y adecuadamente ajustada en la fábrica en el momento de la fabricación. Si fuera preciso volver a realizar un ajuste debido al transporte y manipulación, o a cualquier otro motivo, siga las secciones que aparecen a continuación para ajustar la sierra.

Una vez realizados estos ajustes, deberá mantenerse su precisión. Tómese un poco de tiempo ahora para seguir estas instrucciones con cuidado para mantener la exactitud de lo que es capaz esta sierra.

Ajuste de bloqueo de riel (Fig. I, K) (Apriete del sistema de sujeción de la guía)

1. Bloquee la palanca de bloqueo del riel 5.
2. En la parte inferior de la sierra, afloje la tuerca de bloqueo 39.
3. Apriete la varilla hexagonal 40 hasta que el resorte del sistema de bloqueo esté más comprimido (no totalmente comprimido) y cree la tensión deseada en la palanca de bloqueo del riel. Vuelva a apretar la tuerca de bloqueo contra la varilla hexagonal.
4. Compruebe que la guía no se mueva cuando la palanca de bloqueo esté activada. Si la guía sigue estando suelta, apriete más el resorte.

Fig. K



Ajuste de la escala para cortes longitudinales

Consulte la sección **Ajuste de la escala para cortes longitudinales** bajo **Ensamblaje**.

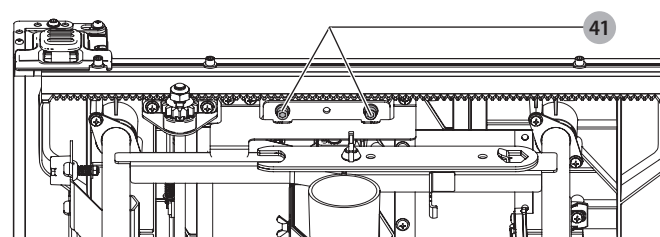
Ajuste de la alineación de la hoja (Fig. L) (Hoja paralela a la ranura de inglete)

⚠️ ADVERTENCIA: Riesgo de corte. Compruebe la hoja a 0° y 45° para asegurarse de que la hoja no golpee la placa de garganta, y cause lesiones corporales.

Si la hoja parece estar desalineada con respecto a la ranura de inglete de la superficie del banco, requerirá calibrado para la alineación. Para realinear la hoja y la ranura de inglete, use el siguiente procedimiento:

⚠️ ADVERTENCIA: Para disminuir el riesgo de lesiones corporales graves, apague la herramienta y extraiga la batería antes de realizar cualquier ajuste o de quitar o instalar accesorios. La puesta en marcha accidental puede causar lesiones.

Fig. L

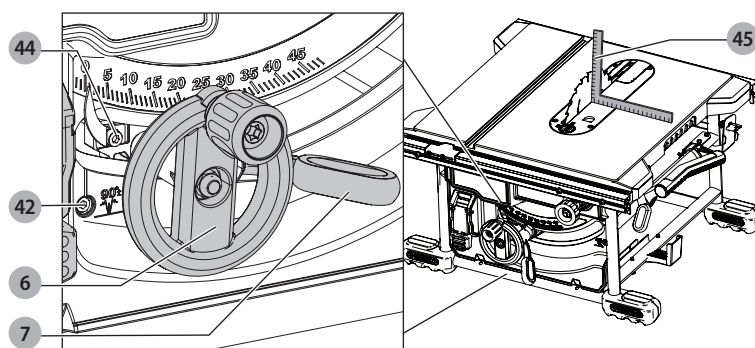


1. Utilizando una llave hexagonal de 5 mm, afloje las piezas de sujeción del soporte de pivote trasero 41 lo suficiente para permitir que el soporte se mueva de un lado a otro.
2. Ajuste el soporte hasta que la hoja esté paralela a la ranura del calibrador de inglete.
3. Apriete las piezas de sujeción del soporte del pivote trasero hasta 110–120«-lbs (12,5–13,6 Nm).

Ajuste del tope e indicador de bisel (Fig. M)

1. Levante totalmente la hoja girando la rueda de ajuste de altura de la hoja 6 en el sentido de las manillas del reloj hasta que se detenga.
2. Desbloquee la palanca de bloqueo de bisel 7 empujándola hacia arriba y hacia la derecha. Afloje el tornillo de tope de bisel 42.
3. Coloque una escuadra 45 plana contra la superficie del banco y contra la hoja entre los dientes, como se muestra en la Figura M. Asegúrese de que la palanca de bloqueo de bisel esté en posición desbloqueada o hacia arriba.
4. Utilizando la palanca de bloqueo de bisel, ajuste el ángulo de bisel hasta que esté plano contra la escuadra.
5. Apriete la palanca de bloqueo de bisel empujándola hacia abajo.
6. Gire el tornillo de tope de bisel 42 para rotar la leva hasta que esté firmemente en contacto con el bloque de cojinete. Apriete el tornillo de tope de bisel 42.
7. Compruebe la escala de ángulo de bisel. Si el indicador no muestra 0°, afloje el tornillo del indicador 44 y mueva el indicador para que funcione correctamente. Vuelva a apretar el tornillo del indicador.
8. Repita a 45°, pero no ajuste el indicador.

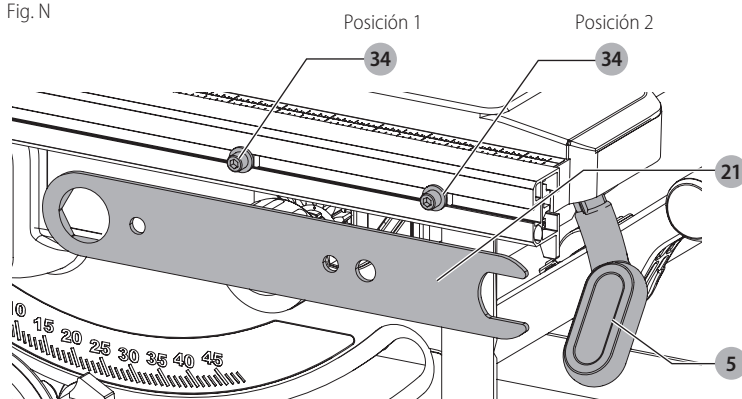
Fig. M



Ajuste de la alineación de la guía (Fig. H, N) (Hoja paralela a la guía)

Si experimenta problemas con la alineación de la guía y desea corregir la posición no paralela entre la guía y la hoja, asegúrese de verificar en primer lugar la alineación de la hoja con la ranura de inglete. Luego de confirmar que tales elementos están alineados, proceda con la alineación de la hoja con la guía, utilizando el procedimiento siguiente:

Fig. N



Alineación de la guía en posición 1

1. Instale la guía en la posición 1 (Consulte la Figura H) y desbloquee la palanca de bloqueo del riel 5. Localice ambos pasadores posicionadores 34 que apoyan la guía en los rieles delanteros y traseros.

- Afije el tornillo del pasador posicionador posterior y ajuste la alineación de la guía en la ranura hasta que la parte delantera de la guía se sitúe paralela a la hoja. Asegúrese de medir desde la parte delantera de la guía hasta la parte de delante y de atrás de la hoja para asegurar la alineación.
- Apriete el tornillo del pasador posicionador.
- Compruebe el ajuste del indicador de la escala para cortes longitudinales.

NOTA: Siga las instrucciones de **alineación de la guía en posición 1** para alinear la guía a la izquierda de la hoja.

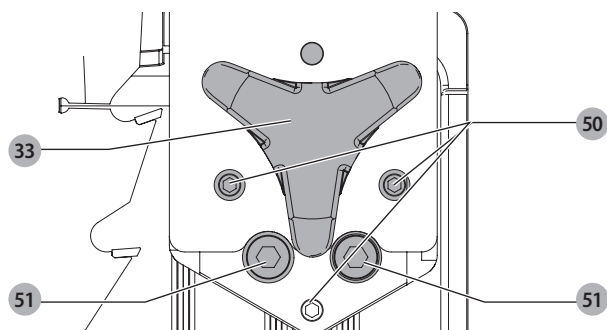
Alineación de la guía en posición 2

- Para alinear los pasadores posicionadores de la guía en la posición 2, asegúrese de que los pasadores de la posición 1 estén alineados, consulte **Alineación de la guía en la posición 1**.
- Afije los pasadores posicionadores de posición 2, luego utilizando los orificios de la llave de la hoja **21** como orientación para posicionar, alinee los pasadores (Fig. N).
- Apriete los pasadores posicionadores (delantero y trasero).

Alineación del cuchillo separador con la hoja (Fig. O)

- Saque la placa de garganta. Consulte la sección **Desensamblaje de la placa de garganta** bajo **Ensamblaje**.
- Levante la hoja hasta su profundidad máxima de corte y a 0° de ángulo de bisel.
- Localice el juego de tres tornillos pequeños **50** adyacentes a la perilla de bloqueo del cuchillo separador **33**. Estos tornillos serán utilizados para ajustar la posición del cuchillo separador.
- Coloque un borde recto sobre el banco contra dos puntas de la hoja. El cuchillo separador no debe tocar el borde recto.
- De ser necesario, afloje los dos tornillos de bloqueo más grandes **51**.
- Use el juego de tornillos pequeños **50** para ajustar la posición del cuchillo separador. Coloque el borde recto sobre el lado opuesto de la hoja y repita los ajustes como sea necesario.
- Apriete ligeramente los dos tornillos de bloqueo más grandes **51**.
- Coloque una escuadra plana contra el cuchillo separador para verificar que el cuchillo separador está en posición vertical y alineado con la hoja.
- De ser necesario, utilice los tornillos de ajuste para llevar el cuchillo separador a su posición vertical con la escuadra.
- Repita el paso 4 para verificar la posición del cuchillo separador. Repita los pasos 5 a 7 si es necesario.
- Apriete completamente los dos tornillos de bloqueo más grandes **51**.

Fig. O



Hojas de sierra

ADVERTENCIA: Los cuchillos separadores deben hacer juego con las dimensiones de la hoja de sierra, a fin de que funcionen efectivamente. Consulte la sección **Selección de placa abridora y cuchillo separador**. Use solamente hojas de 210 mm (8-1/4") de diámetro con esta sierra de banco.

- La hoja que se suministra con su nueva sierra es una hoja de combinación de 210 mm (8-1/4") que se puede utilizar para realizar cortes transversales (el corte cruza la veta) y cortes longitudinales (el corte sigue la veta) a través del material. El orificio central que encaja en el eje es de 16 mm (5/8 de") de diámetro. Esta hoja proporcionará un corte de calidad en la mayoría de las aplicaciones.
- Existen muchos tipos de hojas disponibles para realizar trabajos específicos y especiales como cortes transversales solamente, cortes longitudinales solamente, huecos, cortes en madera contrachapada fina, paneles, etc.
- Utilice solamente hojas de sierra diseñadas para funcionar en forma segura a velocidades máximas de 6,000 RPM o mayores.
- Las hojas de sierra siempre se deben conservar afiladas. Recomendamos que cuando necesite afilar las hojas, localice un centro de afilado acreditado.
- No apile nunca las hojas unas encima de otras para almacenarlas. Coloque algún material, como por ejemplo cartón, entre ellas para evitar que las hojas estén en contacto entre sí.

ADVERTENCIA: Para reducir el riesgo de lesión, no deben utilizarse discos u hojas abrasivos (incluidos los de diamante) en esta sierra.

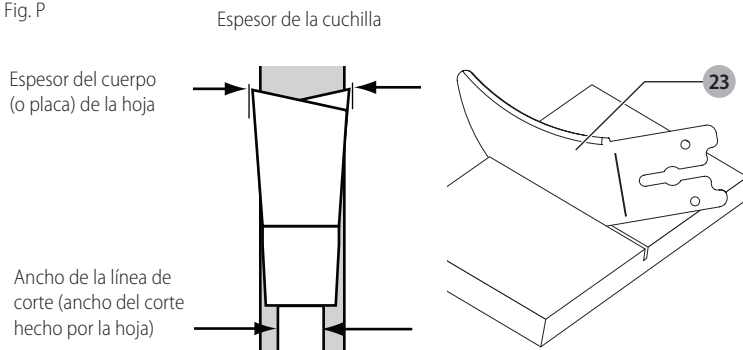
Selección de placa abridora y cuchillo separador (Fig. P)

ADVERTENCIA: Para minimizar el riesgo de rebote y asegurar un corte adecuado, la placa abridora y el cuchillo separador tienen que tener el grosor adecuado para la hoja utilizada.

La placa abridora y el cuchillo separador suministrados con esta sierra de banco son del tamaño correcto para la hoja suministrada con la sierra.

Si se usa una hoja diferente compruebe el grosor del cuerpo (placa) de la hoja y la anchura de la línea de corte de la hoja marcada en la hoja o en el empaque de la hoja. El grosor de la placa abridora y el cuchillo separador debe ser mayor que el grosor del cuerpo y menor que la anchura del corte, como se muestra en la Figura P.

Fig. P



El cuchillo separador incluido con esta sierra está marcado como sigue:

CUCHILLO SEPARADOR DE 1.6 mm (0,063") DE ESPESOR. USAR SOLO CON HOJA DE 210 mm (8 1/4") CON 1,8 mm (0,71") MÍN. ANCHO DE LÍNEA DE CORTE Y 1,4 mm (0,55") MÁX. ESPESOR DE CUERPO.

Todos los espesores de cuerpo de hoja y anchos de líneas de corte de todas las hojas para sierras de banco DEWALT pueden encontrarse en www.DEWALT.com.

Si se utiliza una hoja diferente y las dimensiones del espesor de cuerpo y el ancho de línea de corte no son suministradas, utilice el siguiente procedimiento para determinar el espesor correcto del cuchillo separador:

- Mida el espesor del cuerpo de la hoja.
- Realice un corte poco profundo en material sobrante y mida el ancho de la línea de corte.
- Seleccione el cuchillo separador **23**.
- Deslice el cuchillo separador a través del corte poco profundo realizado en el paso 2, para confirmar que el cuchillo separador correcto ha sido seleccionado. El cuchillo separador no debe trabarse o arrastrarse a través del corte.

ADVERTENCIA: Si se presenta algún arrastre o traba del material al momento que alcanza el cuchillo separador, apague la unidad y retire la batería. Repita los pasos 1-4 para realizar la selección correcta del cuchillo separador, antes de intentar otro corte.

Rebote

¡El rebote es una condición peligrosa! Es provocado por el trabado de la pieza de trabajo contra la hoja. El resultado es que la pieza de trabajo puede moverse rápidamente en dirección opuesta a la dirección de alimentación. Durante el rebote, la pieza de trabajo podría ser lanzada de vuelta al operador. También puede arrastrar la mano del operador hacia la hoja, si el operador está detrás de la hoja. Si ocurre un rebote, APAGUE la sierra y verifique el funcionamiento correcto del cuchillo separador, de la unidad anti-rebote y de la unidad del protector de la hoja, antes de reiniciar el trabajo.

ADVERTENCIA: Consulte la sección **Reglas adicionales de seguridad para sierras de banco** y siga todas las advertencias suministradas con relación al REBOTE.

UTILISATION

AVERTISSEMENT: pour réduire le risque de blessures graves, éteindre l'outil et retirer le bloc-piles avant d'effectuer tout réglage et d'enlever ou d'installer tout accessoire. Un démarrage accidentel peut provoquer des blessures.

ADVERTENCIA: Antes de utilizar la sierra, verifique lo siguiente todas y cada una de las veces:

- SIEMPRE** utilice equipo de protección ocular, auditivo y respiratorio adecuado.
- La hoja está bien asegurada.
- Las palancas del ángulo de bisel y de bloqueo de los rieles estén bloqueadas.
- Si se está realizando un corte longitudinal, asegúrese de que la palanca de bloqueo de la guía esté bien ajustada y que la guía esté paralela a la hoja.
- Si se está realizando un corte transversal, asegúrese de que la perilla del calibrador de inglete esté bien ajustada.
- La unidad del protector de la hoja está correctamente acoplada y la unidad anti-rebote está funcionando.
- SIEMPRE** revise la alineación apropiada, el buen funcionamiento y la holgura de la unidad del protector de la hoja y el cuchillo separador con la hoja de sierra.
- SIEMPRE** asegúrese de que ambos protectores están en su posición baja en contacto con el banco antes de la operación.

⚠️ ADVERTENCIA: Para reducir el riesgo de lesiones corporales graves, tenga el empujador a mano listo para usarse antes de empezar a cortar.

El incumplimiento con alguna de estas reglas de seguridad comunes puede incrementar enormemente la posibilidad de lesiones.

⚠️ ADVERTENCIA: Antes de instalar la batería en la sierra de banco o de utilizar la sierra, inspeccione siempre la unidad del protector de la hoja y el cuchillo separador para verificar una operación, alineación y holgura adecuadas con la hoja de la sierra.

⚠️ ADVERTENCIA: Los cortes longitudinales o transversales pueden provocar que la sierra se vuelque mientras se está operando. Asegúrese de que la sierra esté montada firmemente a una superficie estable.

⚠️ ADVERTENCIA: Jamás utilice la guía y el calibrador de inglete al mismo tiempo. Esto puede resultar en una condición de rebote y lesionar al operador.

⚠️ ATENCIÓN: Si esta sierra hace un ruido desconocido o si vibra excesivamente, deje de utilizarla inmediatamente, apáguela y saque la batería hasta que se haya identificado y corregido el problema. Contacte con un centro de servicio de fábrica DeWALT, un centro de servicio autorizado DeWalt u otro personal de servicio calificado si no puede identificarse el problema.

⚠️ ADVERTENCIA: La placa de garganta adecuada debe estar en su sitio en todo momento para reducir el riesgo de que una pieza de trabajo salga disparada y cause una lesión.

Hay dos tipos básicos de corte con las sierras de banco: corte longitudinal y corte transversal. Sin tener en cuenta el material, la madera natural o artificial, la distinción entre el corte longitudinal y el corte transversal es la siguiente: El corte longitudinal es un corte de una anchura diferente (normalmente al hilo) y el corte transversal o tronzado describe cortar material a través de una dimensión más corta (normalmente contra el hilo).

⚠️ ADVERTENCIA: Al cortar longitudinalmente, utilice siempre la guía para proporcionar una orientación para el material y la unidad del protector de la hoja para proteger contra rebotes.

⚠️ ADVERTENCIA: No realice nunca ninguna operación de corte a mano alzada. No realice nunca cortes de inmersión.

⚠️ ADVERTENCIA: Cuando corte transversalmente, utilice siempre el calibrador de inglete. Jamás utilice la guía para cortes longitudinales y el calibrador de inglete al mismo tiempo.

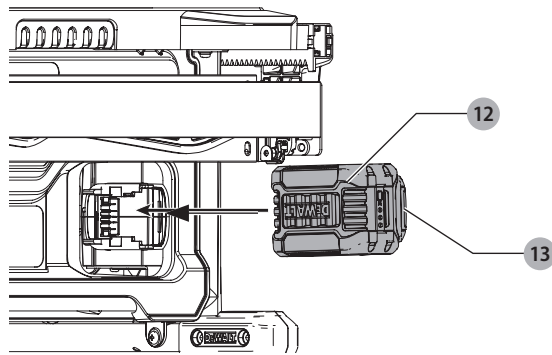
Instalación y extracción de la batería (Fig. Q)

NOTA: Para obtener los mejores resultados, compruebe que la batería esté totalmente cargada.

Para instalar la batería **12** en la herramienta, alinee la batería con los rieles dentro de la herramienta y deslícela hasta que esté firmemente insertada y asegúrese de que no se salga.

Para sacar la batería de la herramienta, apriete el botón de liberación **13** y saque la batería de la herramienta jalándola firmemente hacia afuera. Insértela en el cargador tal como se describe en la sección del cargador de este manual.

Fig. Q



Funcionamiento del interruptor de encendido/apagado (Fig. R)

⚠️ ADVERTENCIA: Para reducir el riesgo de lesión, asegúrese de que el interruptor esté en posición de apagado (OFF) antes de instalar la batería.

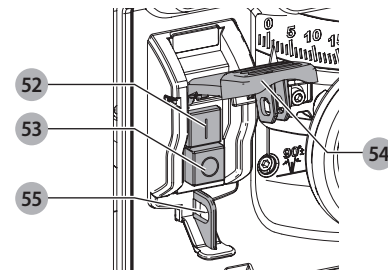
Levante la paleta roja y apriete el botón verde **52** para encender la sierra.

Empuje el botón rojo **53** o empuje la paleta roja **54** para apagar la sierra.

Bloqueo de la sierra

El interruptor de encendido/apagado puede bloquearse para impedir una operación no autorizada de la sierra. Para bloquear el interruptor en la posición de apagado (Off), introduzca un candado a través del mango rojo y el orificio **54** para bloquear la sierra en apagado. El candado no debe exceder un diámetro máximo de 6,35 mm (1/4").

Fig. R



Función de operación del protector (Fig. S)

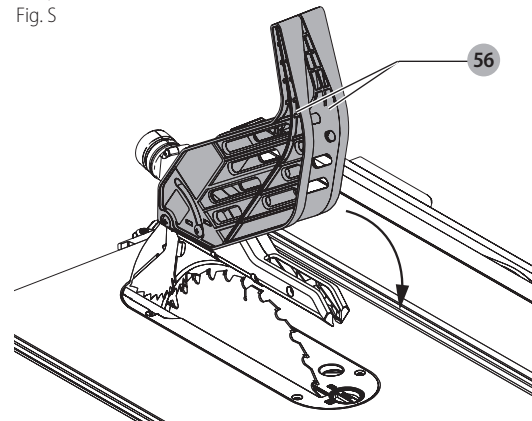
⚠️ ADVERTENCIA: Para disminuir el riesgo de lesiones corporales graves, apague la herramienta y extraiga la batería antes de realizar cualquier ajuste o de quitar o instalar accesorios. La puesta en marcha accidental puede causar lesiones.

1. Los brazos del protector **56** se bloquearán en su sitio cuando estén en la posición elevada.
2. Esta función incrementa la visibilidad cuando se está midiendo la distancia entre la hoja y la guía.
3. Empuje hacia abajo el protector o protectores y estos cambiarán a la posición de operación.

NOTA: Jale la unidad anti-rebote para asegurarse de que se haya bloqueado en su sitio.

SIEMPRE asegúrese de que ambos protectores están en su posición baja en contacto con el banco antes de la operación.

Fig. S



Funcionamiento de la guía para cortes longitudinales (Fig. A, T)

Palanca de bloqueo del riel (Fig. A)

La palanca de bloqueo del riel **5** bloquea la guía en su sitio evitando el movimiento durante el corte. **Para bloquear la palanca del riel**, empújela hacia abajo y hacia la parte trasera de la sierra. **Para desbloquearla**, jálela hacia arriba y hacia la parte delantera de la sierra.

⚠️ ADVERTENCIA: Cuando aserre a lo largo, bloquee siempre la palanca de bloqueo del riel.

Extensión de apoyo para la pieza de trabajo/ Guía estrecha para cortes longitudinales (Fig. T)

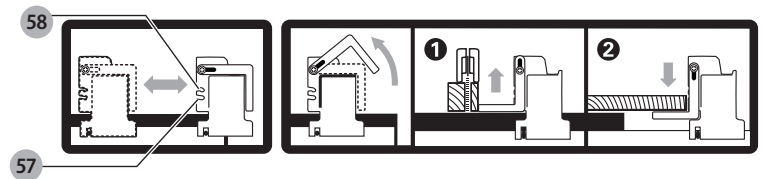
La sierra de banco está equipada con una guía estrecha para cortes longitudinales que también apoya las piezas de trabajo que sobresalen del banco de la sierra.

Para usar la guía estrecha para cortes longitudinales en la posición de apoyo de la pieza de trabajo, gírela de su posición de almacenamiento como se muestra en la Figura T, y deslice los pasadores en las ranuras inferiores **57** en ambos extremos de la guía.

Para usar la guía estrecha para cortes longitudinales en la posición de corte estrecho, encaje los pasadores en las ranuras superiores **58** en ambos extremos de la guía.

Esta función permitirá una holgura adicional de 51 mm (2") hasta la hoja. Consulte la Figura T.

Fig. T



NOTA: Cuando no esté utilizándose, la guía estrecha para cortes longitudinales debe colocarse en su posición de almacenamiento.

NOTA: Esta guía permitirá al protector permanecer en la sierra cuando se realicen cortes longitudinales estrechos. La guía proporcionará espacio suficiente para un empujador.

Pomo de ajuste (Fig. A)

El pomo de ajuste 4 permite ajustes más pequeños al fijar la guía. Antes de realizar el ajuste, compruebe que la palanca de bloqueo del riel esté en posición hacia arriba o de desbloqueo.

Indicador de escala para cortes longitudinales

El indicador de escala para cortes longitudinales tendrá que ajustarse para el buen funcionamiento de la guía para cortes longitudinales si el usuario cambia entre las hojas de corte gruesas y finas. El indicador de la escala para cortes longitudinales solamente marca correctamente la posición 1 (de 0 a 24"), sin embargo para la posición 1 con la guía estrecha para cortes longitudinales agregue 51 mm (2"). Consulte **Ajuste de la escala para cortes longitudinales** bajo **Montaje**.

Operaciones de Corte Completo

ADVERTENCIA: Use el ensamble de la protección de cuchilla para todas las operaciones de corte completo.

Realizar cortes longitudinales (Fig. U)

ADVERTENCIA: No toque nunca el «extremo libre» de la pieza de trabajo o una «pieza libre» que esté cortada, mientras esté encendida la sierra o la hoja esté girando. La pieza puede tocar la hoja y provocar que la pieza de trabajo salga disparada y que se produzca una lesión.

ADVERTENCIA: Debe usarse **SIEMPRE** una guía para cortes longitudinales para operaciones de cortes longitudinales a fin de evitar la pérdida de control y las lesiones corporales. No realice **NUNCA** una operación de corte longitudinal a mano alzada. Bloquee **SIEMPRE** la guía en el riel.

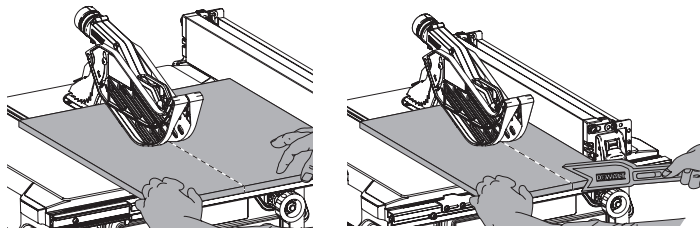
ADVERTENCIA: Cuando se hagan cortes longitudinales biselados y siempre que sea posible, coloque la guía a un lado de la hoja para que esta esté inclinada alejada de la guía y de las manos.

ADVERTENCIA: Mantenga las manos lejos de la hoja.

ADVERTENCIA: Utilice un empujador para alimentar la pieza de trabajo si hay entre de 51 a 152 mm (2 y 6") entre la guía y la hoja. Use la guía estrecha para cortes longitudinales y use el empujador para alimentar la pieza de trabajo si hay un espacio de 51 mm (2") o más estrecho entre la guía y la hoja.

1. Bloquee la guía presionando hacia abajo la palanca de bloqueo del riel. Retire la escuadra de inglete.
2. Levante la hoja hasta 3,2 mm (1/8") por encima de la parte superior de la pieza de trabajo.
3. Sujete la pieza de trabajo en posición plana sobre la banco y contra la guía. Mantenga la pieza de trabajo a 25,4 mm (1") aproximadamente de la hoja.

Fig. U



ADVERTENCIA: La pieza de trabajo debe tener un borde recto contra la guía y no debe estar deformada, torcida o doblada. Mantenga ambas manos alejadas de la hoja y del paso de la hoja. Ver la posición apropiada de las manos en la Figura U.

4. Encienda la sierra y permita que la hoja adquiera velocidad. Ambas manos pueden utilizarse para iniciar el corte. Cuando queden aproximadamente 305 mm (12") restantes para ser ranurados, utilice solamente una mano, con su dedo pulgar empujando el material, su dedo índice y medio sujetando el material hacia abajo y sus otros dedos sujetando la guía. Siempre mantenga su pulgar al lado de sus dos primeros dedos y cerca de la guía.
5. Manteniendo la pieza de trabajo contra el banco y la guía, lentamente empuje la pieza de trabajo hacia atrás hasta que pase a través de la hoja de la sierra. Continúe empujando la pieza de trabajo hasta que se aleje de la unidad del protector de la hoja y caiga a la parte posterior del banco. No sobrecargue el motor.
6. Jamás intente traer de vuelta la pieza de trabajo con la hoja girando. Apague la máquina, permita que la hoja se detenga, levante los dientes anti-rebote en cada lado del cuchillo separador, de ser necesario, y deslice la pieza de trabajo hacia afuera.
7. Al aserrar una pieza larga de material o un panel, utilice siempre un soporte para la pieza de trabajo. Un caballete de aserrado, rodillos o unidad de salida proporcionan un soporte adecuado para este propósito. El soporte de la pieza de trabajo debe estar a la misma altura o ligeramente por debajo del banco de aserrar.

ADVERTENCIA: No empuje nunca ni sujete el extremo libre o cortado de la pieza de trabajo si está entre la hoja y la guía.

Corte longitudinal de piezas pequeñas

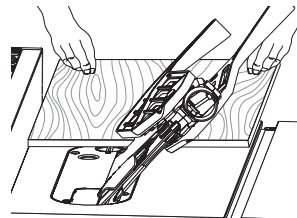
No es seguro cortar a lo largo piezas pequeñas. No es seguro poner las manos cerca de la hoja. En cambio, puede cortar una pieza más grande para obtener la pieza del tamaño deseado. Cuando debe cortarse una pieza de poca anchura y no puede ponerse la mano sin riesgo entre la hoja y la guía para cortes longitudinales, utilice uno o más empujadores. Se incluye un patrón al final de este manual para hacer empujadores. Se incluye un empujador 22 con esta sierra, fijado a la guía para cortes longitudinales. Utilice el empujador o empujadores para sujetar la pieza de

trabajo contra el banco y la guía y empuje la pieza de trabajo completamente más allá de la hoja. La función de guía estrecha para cortes longitudinales en la sierra de banco puede utilizarse para algunos cortes longitudinales estrechos. Puede usar también una guía estrecha auxiliar para cortes longitudinales. En la parte de atrás del manual se proporcionan instrucciones para hacer una guía auxiliar.

Corte longitudinal biselado (Fig. V)

Esta operación es la misma que el corte longitudinal excepto que el ángulo de bisel está fijado en un ángulo que no es cero grados. Para una posición adecuada de las manos consulte la figura V.

Fig. V



ADVERTENCIA: Antes de instalar la batería o de utilizar la sierra, inspeccione siempre la unidad del protector de la hoja y el cuchillo separador para verificar una alineación y holgura adecuadas con la hoja de la sierra. Compruebe la alineación después de cada cambio del ángulo de bisel.

Cortes transversales (Fig. W)

ADVERTENCIA: **NUNCA** use la guía para cortes longitudinales en combinación con el calibrador de inglete.

ADVERTENCIA: **NUNCA** toque el «extremo libre» de la pieza de trabajo o una «pieza libre» que esté cortada, mientras esté encendida la sierra y/o la hoja esté girando. La pieza puede tocar la hoja y provocar que la pieza de trabajo salga disparada y que se produzca una lesión.

ADVERTENCIA: Para reducir el riesgo de lesiones, **JAMÁS** utilice la guía como un tope de longitud cuando realice cortes transversales.

ADVERTENCIA: **JAMÁS** utilice un tope de longitud en el extremo libre de la pieza de trabajo cuando realice cortes transversales. En pocas palabras, la pieza cortada no debe, en ninguna operación de corte con traspaso (corte completo a través de la pieza de trabajo) ser confinada – se le debe permitir alejarse de la hoja de la sierra para evitar el contacto con la hoja que puede resultar en una pieza de trabajo lanzada y posibles lesiones.

ADVERTENCIA: Use cautela cuando inicie el corte para prevenir trabado de la unidad del protector de la hoja contra la pieza de trabajo, resultando en daño para la sierra y posibles lesiones.

ADVERTENCIA: Cuando se utilice un bloque como calibrador de corte, el bloque debe ser de al menos 19 mm (3/4 de») de grueso y es muy importante que el extremo posterior del bloque esté posicionado de tal forma que la pieza de trabajo se libere del bloque antes de que entre en contacto con la hoja, para prevenir el contacto con la hoja que puede resultar en una pieza de trabajo lanzada y posibles lesiones.

1. Retire la guía para cortes longitudinales y coloque el calibre de inglete en la ranura deseada.
2. Ajuste la altura de la hoja de tal forma que la hoja quede a 3,2 mm (1/8") por encima de la parte superior de la pieza de trabajo.
3. Sujete firmemente la pieza de trabajo contra el calibrador de inglete 10 con el paso de la hoja en línea con el lugar de corte deseado. Mantenga la pieza de trabajo a una pulgada o a un poco más del frente de la hoja. **MANTENGA AMBAS MANOS ALEJADAS DE LA HOJA Y DEL PASO DE LA HOJA** (Fig. W).
4. Arranque el motor de la sierra y permita que la hoja adquiera velocidad.
5. Mientras utilice ambas manos para mantener la pieza de trabajo contra la parte delantera del calibrador de inglete y sujete la pieza de trabajo en posición plana contra el banco, empuje lentamente la pieza de trabajo a través de la hoja.
6. Jamás intente traer de vuelta la pieza de trabajo con la hoja girando. Apague la máquina, permita que la hoja se detenga y cuidadosamente deslice la pieza de trabajo hacia afuera.

ADVERTENCIA: Jamás toque o sostenga el extremo libre o cortado de la pieza de trabajo.

Cortes transversales en bisel

Esta operación es la misma que la de corte transversal, excepto que el bisel se configura en un ángulo distinto de 0°.

ADVERTENCIA: Antes de conectar, instalar la batería o utilizar la sierra, inspeccione siempre la unidad del protector de la hoja y el cuchillo separador para verificar una alineación y holgura adecuadas con la hoja de la sierra. Compruebe la alineación después de cada cambio del ángulo de bisel.

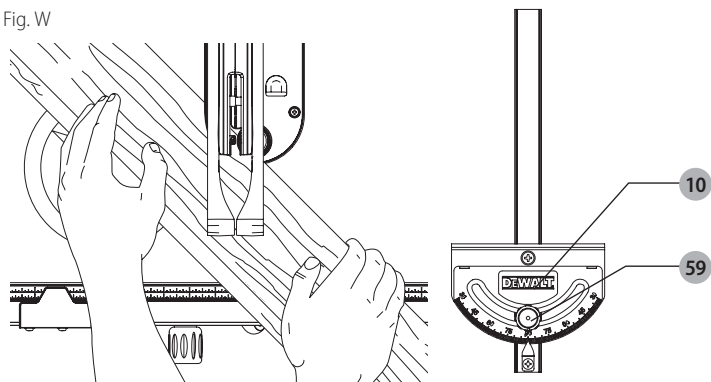
Cortes a inglete (Fig. W)

⚠ ADVERTENCIA: Los ángulos de inglete mayores a 45° pueden forzar la unidad del protector de la hoja hacia la hoja de la sierra, resultando en daños para la unidad del protector de la hoja y lesiones corporales. Antes de encender el motor, pruebe la operación de la máquina alimentando una pieza de trabajo hacia la unidad del protector de la hoja. Si la unidad del protector de la hoja hace contacto con la hoja, coloque la pieza de trabajo debajo de la unidad del protector de la hoja antes de encender el motor y sin tocar la hoja.

⚠ ADVERTENCIA: Ciertas formas de piezas de trabajo, tales como molduras, pueden no levantar apropiadamente la unidad del protector de la hoja. Alimente la pieza de trabajo lentamente para iniciar el corte. Si la unidad del protector de la hoja hace contacto con la hoja, coloque la pieza de trabajo debajo de la unidad del protector de la hoja antes de encender el motor y sin tocar la hoja.

Esta operación es la misma que la de corte transversal, excepto que el calibrador de inglete se bloquea en un ángulo distinto de 0°. Sujete FIRMEMENTE la pieza de trabajo contra el calibrador de inglete **10** y empuje la pieza de trabajo lentamente hacia la hoja (para impedir que la pieza de trabajo se mueva).

Fig. W



Funcionamiento del calibrador de inglete

Para fijar su calibrador de inglete.

1. Afloje la perilla de bloqueo del calibrador de inglete **59**.
2. Mueva el calibrador de inglete hasta alcanzar el ángulo deseado.
3. Apriete la perilla de bloqueo del calibrador de inglete.

Cortes a inglete compuestos

Es una combinación de cortes a inglete y cortes transversales en bisel. Siga las instrucciones para los cortes transversales en bisel y los cortes a inglete.

Corte sin Corte Completo (ranurado y rebajado)

⚠ ADVERTENCIA: Retire el ensamble de protección de la cuchilla **11** e instale el cuchillo separador de corte transversal **23** para operaciones de corte no completo. Use tableros biselados para todas las operaciones de corte sin atravesar en las que no se puedan usar el ensamble de protección de la cuchilla, ensamble anti-retroceso y cuchillo de desgarro.

Las instrucciones en las secciones **Corte por desgarro**, **Corte transversal**, **Corte en bisel**, **Mitad e Ingleteado compuesto** son para hacer todo el espesor del material. La sierra también puede realizar cortes no completos para formar surcos o rebajos en el material.

Separación No Completa (Fig. X, G)

⚠ ADVERTENCIA: SIEMPRE se debe usar una cerca de corte para operaciones de corte para evitar pérdida de control y lesiones personales. NUNCA realice una operación de corte a mano alzada. SIEMPRE bloquee la cerca al riel.

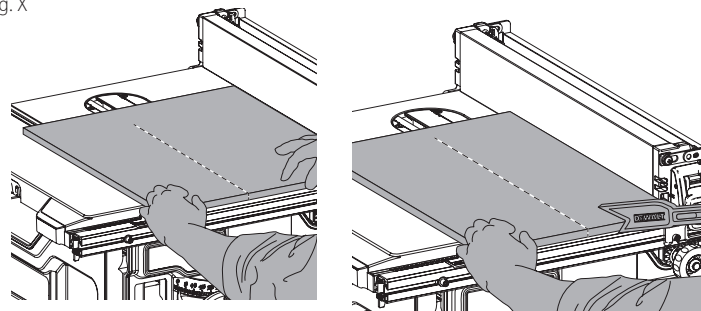
⚠ ADVERTENCIA: Cuando corte en bisel y siempre que sea posible, coloque la cerca en el lado de una cuchilla de forma que esté inclinada lejos de la cerca y las manos.

⚠ ADVERTENCIA: Mantenga las manos libres de la cuchilla. Con el corte no completo, la cuchilla no siempre es visible durante el corte, por lo que es necesaria una mayor precaución para garantizar que las manos estén alejadas de la cuchilla.

⚠ ADVERTENCIA: Utilice un empujador para alimentar la pieza de trabajo si hay entre de 51 a 152 mm (2 y 6") entre la guía y la hoja. Use la guía estrecha para cortes longitudinales y use el empujador para alimentar la pieza de trabajo si hay un espacio de 51 mm (2") o más estrecho entre la guía y la hoja.

1. Retire el ensamble de protección de la cuchilla **11** e instale el cuchillo separador de corte no completo **23** (Fig. G). Consulte **Instalación/Desinstalación del ensamble de protección de cuchilla y el cuchillo de separación**.
2. Bloquee la cerca de corte presionando la palanca de bloqueo de riel hacia abajo. Retire el calibrador de inglete.
3. Levante la cuchilla a la profundidad de corte deseada.
4. Sostenga la pieza de trabajo plana sobre el banco y contra la cerca. Mantenga la pieza de trabajo aproximadamente a 25,4 mm (1") de la cuchilla.

Fig. X



⚠ ADVERTENCIA: La pieza de trabajo debe tener un ángulo recto contra la cerca y no se debe ondular, torcer o doblar. Mantenga ambas manos lejos de la cuchilla y lejos de la trayectoria de la cuchilla. Vea la posición adecuada de las manos en la Figura X.

5. Encienda la sierra y permita que la cuchilla llegue a velocidad completa. Ambas manos se pueden usar para comenzar el corte. Cuando queden aproximadamente 305 mm (12") a cortar, use sólo una mano, con su pulgar empujando el material, su dedo índice y medio sosteniendo el material hacia abajo y sus otros dedos sujetos sobre la cerca. Siempre mantenga su pulgar junto a sus primeros dos dedos y cerca de la cerca.
6. Manteniendo la pieza de trabajo contra el banco y la cerca, alimente lentamente la pieza de trabajo hacia atrás completamente a través de la cuchilla de la sierra. Continúe empujando la pieza de trabajo hasta que esté libre del ensamble de protección de la cuchilla y caiga de la parte trasera del banco. No sobrecargue el motor.
7. Nunca intente jalar la pieza de trabajo hacia atrás con la cuchilla girando. Apague el interruptor, permita que la cuchilla se detenga y deslice la pieza de trabajo hacia afuera.
8. Cuando corte una pieza larga de material o un tablero, siempre use un soporte de trabajo. Un caballete, rodillos, o ensamble de salida de alimentación proporcionan un soporte adecuado para este propósito. El soporte de trabajo debe estar a la misma altura o ligeramente debajo que el banco de sierra.

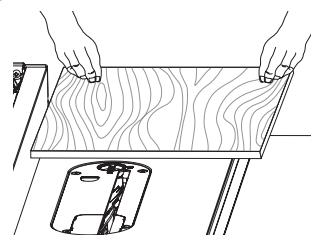
Piezas Pequeñas de Separación No Completa (Fig. A)

No es seguro cortar piezas pequeñas. No es seguro que ponga sus manos cerca de la cuchilla. En su lugar, corte una pieza más grande para obtener la pieza deseada. Cuando se tenga que cortar un ancho pequeño y la mano no se pueda colocar con seguridad entre la cuchilla y la cerca de corte, use una o más varillas de empuje. Se incluye un patrón al final del este manual para hacer varillas de empuje. Se incluye una varilla de empuje **22** con esta sierra, sujeta a la cerca de corte. Use las varillas de empuje para sostener la pieza de trabajo contra el banco y la cerca y empujar la pieza de trabajo completamente a través de la cuchilla.

Separación de Bisel No Completa (Fig. Y)

Esta operación es la misma que la separación de corte no completo excepto que el ángulo de bisel esté ajustado a un ángulo diferente a cero grados. Para la posición adecuada de la mano, consulte la Figura Y.

Fig. Y



⚠ ADVERTENCIA: Antes de instalar el paquete de batería u operar la sierra, siempre revise el cuchillo de desgarro respecto a alineación y espacio correctos con la cuchilla de la sierra. Revise la alineación después de cada cambio de ángulo de bisel.

Corte Transversal No Completo (Fig. Z)

⚠ ADVERTENCIA: NUNCA use la guía de corte en combinación con el calibrador de ingletes.

⚠ ADVERTENCIA: Para reducir el riesgo de lesiones, NUNCA use la cerca como una guía o tope de longitud cuando realice corte cruzado.

⚠ ADVERTENCIA: Cuando use un bloque como un calibrador de corte, el bloque debe tener por lo menos 19 mm (3/4") de espesor y es muy importante que el extremo trasero del bloque esté colocado de forma que la pieza de trabajo esté libre del bloque antes que entre la cuchilla para prevenir contacto con la cuchilla resultando en una pieza de trabajo expulsada y posibles lesiones.

1. Retire la cerca de corte y coloque el calibrador de inglete en la ranura deseada.
2. Ajuste la altura de la cuchilla a la profundidad de corte deseada.
3. Sostenga la pieza de trabajo firmemente contra el calibrador de inglete **10** con la trayectoria de la cuchilla en línea con la ubicación de corte deseada. Mantenga la pieza de trabajo a una pulgada aproximadamente al frente de la cuchilla. MANTENGA AMBAS MANOS ALEJADAS DE LA CUCHILLA Y DE LA TRAYECTORIA DE LA CUCHILLA (Fig. Z).
4. Encienda el motor de la sierra y permita que la cuchilla llegue a velocidad completa.

- Mientras usa ambas manos para mantener la pieza de trabajo contra la cara del calibrador de inglete, y sosteniendo la pieza de trabajo plana contra el banco, empuje lentamente la pieza de trabajo a través de la cuchilla.
- Nunca intente jalar la pieza de trabajo con la cuchilla girando. Apague el interruptor, permita que la cuchilla se detenga, y deslice cuidadosamente la pieza de trabajo hacia afuera.

Corte Transversal de Bisel No Completo

Esta operación es la misma que el corte cruzado excepto que el ángulo de bisel esté ajustado a un ángulo diferente a 0°.

⚠️ ADVERTENCIA: Antes de conectar e instalar la batería o la sierra, inspeccione siempre la cuchilla separadora para ver si la alineación y la holgura son las adecuadas con la hoja de la sierra. Revise la alineación después de cada cambio de ángulo de bisel.

Inglete No Completo (Fig. Z)

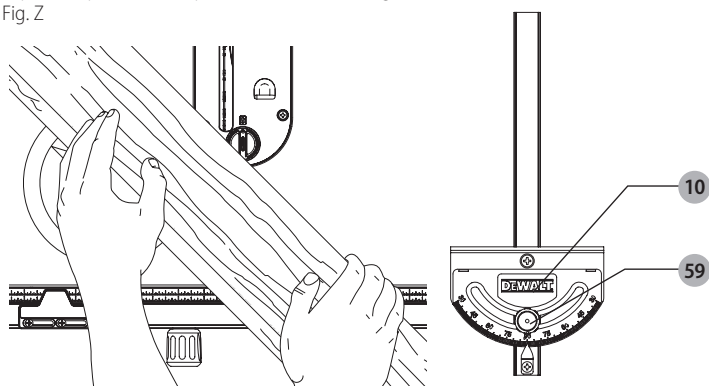
Esta operación es la misma que el corte cruzado excepto que el calibrador de inglete está bloqueado en un ángulo diferente a 0°. Sostenga la pieza de trabajo FIRMEMENTE contra el calibrador de inglete **10** y alimente la pieza de trabajo lentamente hacia la cuchilla (para evitar que la pieza de trabajo se mueva).

Operación de Calibrador de Inglete No Completo

Para ajustar su calibrador de inglete:

- Afloje la perilla de bloqueo del calibrador de inglete **59**.
- Mueva el calibrador de inglete al ángulo deseado.
- Apriete la perilla de bloqueo del calibrador de inglete.

Fig. Z



Inglete Compuesto No Completo

Esta es una combinación de corte transversal biselado no completo e inglete no completo. Siga las instrucciones para corte transversal de bisel no completo e inglete no completo.

Recolección de polvo (Fig. AA)

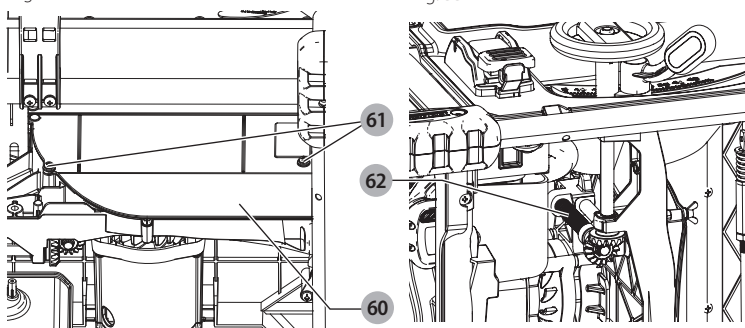
Esta sierra de banco está equipada con una cubierta protectora de polvo y un orificio para recolección de polvo. Para obtener los mejores resultados, conecte una aspiradora al orificio en la parte trasera de la sierra y en el protector utilizando un conector Y. El conector Y está disponible como accesorio por un costo adicional. Consulte la sección **Accesorios**.

AVISO: Debe tenerse cuidado al colocar las mangueras de manera que no obstaculicen la operación de corte.

⚠️ ADVERTENCIA: Para evitar una puesta en marcha accidental, retire la batería de la sierra antes de limpiar el sistema de recolección de polvo.

- Ponga la sierra de costado, de forma que la parte de abajo abierta del aparato esté accesible.
- Para abrir la puerta de acceso al colector **60** que se muestra, retire los dos destornilladores de cabeza de cruz **61** y retire la puerta. Limpie el exceso de polvo y vuelva a asegurar la puerta de acceso con los tornillos mariposa.

Fig. AA



Conmutador de reposicionamiento de sobrecarga del motor y pérdida de potencia

Si se interrumpe la alimentación porque una batería está gastada o hay una corte de corriente, la sierra tiene una función de conmutador de reposicionamiento por pérdida de potencia que automáticamente se reposicionará a la posición de apagado.

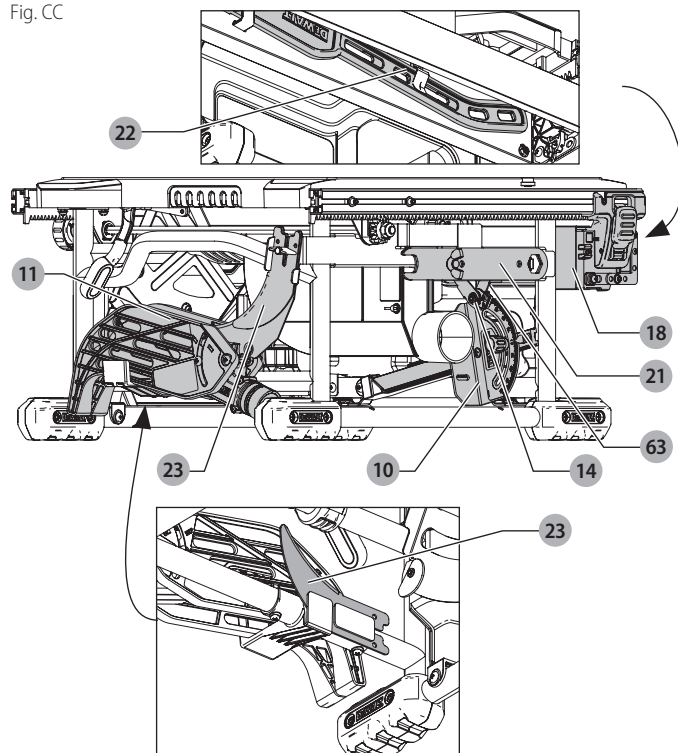
Una vida útil corta de la batería con frecuencia es el resultado de una hoja roma. Cambie la hoja regularmente para aumentar la vida útil de la batería.

Lubricación (Fig. BB)

- Todos los cojinetes del motor están lubricados permanentemente en la fábrica y no es necesaria ninguna lubricación adicional.
- El tornillo de ajuste de altura puede necesitar limpieza y lubricación periódicas. Si tiene problemas para levantar o bajar la hoja:
 - Saque la batería de la sierra.
 - Ponga la sierra de costado, de forma que la parte de abajo abierta del aparato esté accesible.
 - Limpie y lubrique las roscas del tornillo de ajuste de altura **62** en la parte de abajo de la sierra con grasa para uso general. Consulte la Figure BB.

ALMACENAMIENTO (FIG. CC)

- Fije el empujador **22** a la guía.
- Presione sobre el vástago en la unidad anti-rebote **14** para permitir que la unidad se deslice de la ranura del cuchillo separador.
- Coloque la unidad anti-rebote en la posición de almacenamiento como se muestra. Mientras presiona el vástago deslice la unidad anti-rebote a través del soporte de almacenamiento **63** y libere la clavija para que encaje en su sitio.
- Retire la unidad del protector de la hoja **11**. Consulte la sección **Instalación/retiro de la unidad del protector de la hoja y el cuchillo separador**. Coloque la unidad del protector de la hoja en el sujetador como se muestra, luego gire la perilla de bloqueo 1/4 de vuelta para bloquearla en su sitio.
- Deslice el extremo cerrado de las llaves de la hoja **21** en la retención, luego fíjelo en su sitio con una tuerca de mariposa.
- Inserte la barra de guía del calibrador de inglete **10** en la cavidad hasta que llegue al fondo.
- El cuchillo separador para cortes sin traspaso **23** se desliza en su sitio en la parte trasera del gancho de almacenamiento del protector.
- Para guardar la guía **18**, encaje el soporte para la pieza de trabajo en la posición de almacenamiento. Saque la guía de los rieles. Vuelva a instalar la guía al revés en el lado izquierdo de la sierra. Gire los seguros de bloqueo de la guía para fijarla.



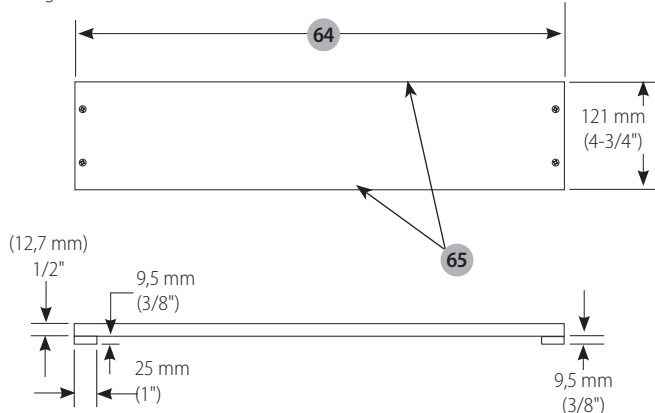
Construcción de accesorio para métodos de operación alternativos Montaje de la guía estrecha auxiliar para cortes longitudinales (Fig. DD-FF)

La guía estrecha auxiliar para cortes longitudinales debe usarse para cortes de 51 mm (2") o más estrechos. Esta guía permitirá al protector permanecer en la sierra cuando se realicen cortes longitudinales estrechos. Esta guía proporcionará espacio suficiente para el uso adecuado de un bloque de empuje (**66**, véase **Bloque de empuje**).

- Siga el diagrama en la Fig. DD para construir la guía estrecha auxiliar para cortes longitudinales **69**.

NOTA: La longitud debe cortarse para ajustarse a la longitud **64** del banco de aserrar y los lados **65** deben estar paralelos.

Fig. DD



- Luego de construir la guía auxiliar para cortes delgados, deslícela sobre la parte superior del banco de la sierra y colóquela nivelada con la guía como lo muestra la Figure FF.
- Alimente la pieza de trabajo hasta que el borde del material alcance el borde frontal de la parte superior de la banco de la sierra.
- Continúe alimentando el material utilizando un bloque de empuje **66** hasta completar el corte.

Bloque de Empuje (Fig. EE, FF)

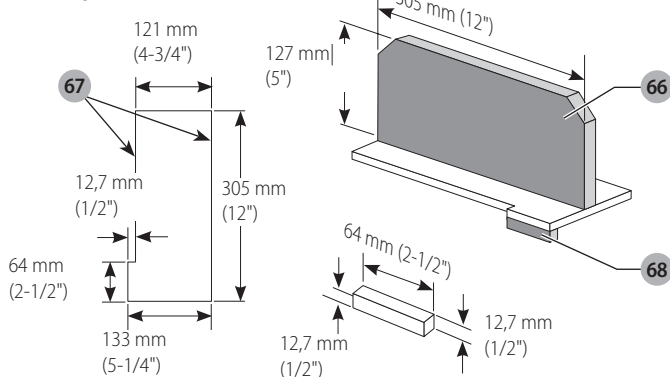
IMPORTANTE: Utilice el bloque de empuje **66** únicamente con la guía auxiliar para cortes delgados, ver **Guía Auxiliar Para Cortes Delgados**. El bloque de empuje debe utilizarse una vez que el material siendo cortado alcanza la parte superior de la banco de la sierra.

- Construya un bloque de empuje utilizando el diagrama en la Figure EE.

NOTA: Los bordes **67** deben estar paralelos.

IMPORTANTE: El borde que sobresale **68**, Fig. EE) DEBE ser escuadra. Un borde desnivelado puede provocar que el bloque de empuje resbale o empuje el material lejos de la guía.

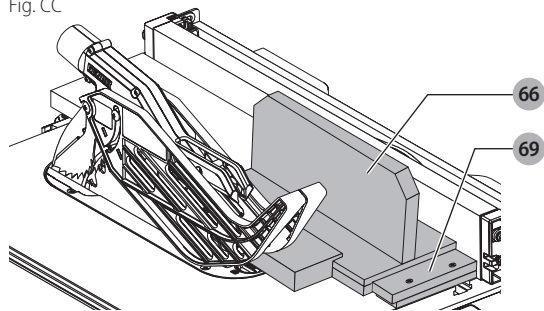
Fig. BB



- Coloque el bloque de empuje **66**, Fig. FF) detrás del material para asegurar que el borde del bloque esta nivelado con la guía auxiliar para cortes delgados **69**.
- Una vez que el bloque de empuje este en posición, continúe alimentando el material hasta que se complete el corte, asegurándose que el bloque de empuje permanece nivelado con la guía auxiliar para cortes delgados en todo momento.

IMPORTANTE: La guía auxiliar para cortes delgados y el borde que sobresale (**68**, Fig. EE) deben ambos ser del mismo grosor

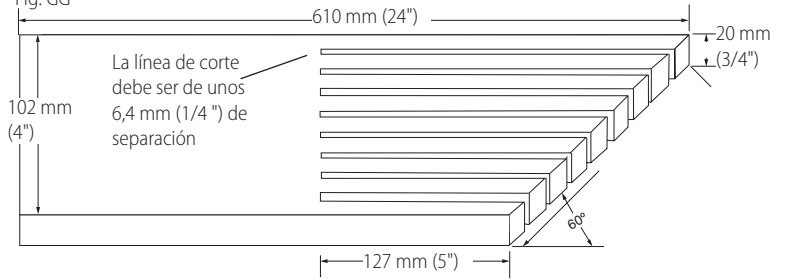
Fig. CC



Construcción de Tabla con canto biselado (Fig. GG, HH)

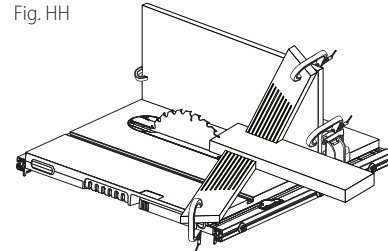
Las tablas con cantos biselados se utilizan para mantener el trabajo en contacto con la guía y al banco y ayudar a prevenir los rebotes. Las dimensiones para construir una tabla con canto biselado típica se muestran en la Fig. GG. Construya la tabla con canto biselado de una pieza entera de madera que esté libre de nudos y agrietamientos. Fije la tabla con canto biselado a la guía y banco de tal manera que el borde punta de la tabla con canto biselado soporte la pieza de trabajo hasta que el corte se complete (Fig. HH). Una tabla plana de 203 mm (8") puede ser fijada a la guía y la tabla con canto biselado puede fijarse a la tabla de 203 mm (8").

Fig. GG



ADVERTENCIA: Utilice las tablas con cantos biselados para todas las operaciones de serruchado no tangencial en las cuales el ensamble protector de la hoja, el ensamble anti-rebote y la cuchilla no puedan ser usados. **Siempre cambie el ensamble protector de la hoja, el ensamble anti-rebote y la cuchilla cuando la operación de serruchado no tangencial se complete.** Asegúrese que la tabla con canto biselado presione solo sobre la porción de la pieza de trabajo que esta frente a la hoja.

Fig. HH



MANTENIMIENTO

ADVERTENCIA: Para reducir el riesgo de lesiones personales graves, apague la herramienta y retire el paquete de baterías antes de realizar ajustes o de retirar/instalar dispositivos o accesorios. Un arranque accidental podría causar lesiones.

Limpieza

ADVERTENCIA: Sople la suciedad y el polvo de todos los conductos de ventilación con aire seco, al menos una vez por semana. Para reducir el riesgo de lesiones, utilice siempre protección para los ojos aprobada ANSI Z87.1 al realizar esta tarea.

ADVERTENCIA: Nunca utilice solventes ni otros químicos abrasivos para limpiar las piezas no metálicas de la herramienta. Estos productos químicos pueden debilitar los materiales plásticos utilizados en estas piezas. Utilice un paño humedecido sólo con agua y jabón neutro. Nunca permita que penetre líquido dentro de la herramienta ni sumerja ninguna de las piezas en un líquido.

Accesorios

ADVERTENCIA: Debido a que no se han probado con este producto otros accesorios que no sean los que ofrece DeWALT, el uso de dichos accesorios con esta herramienta podría ser peligroso. Para reducir el riesgo de lesiones, con este producto deben usarse sólo los accesorios recomendados por DeWALT.

Los accesorios que se recomiendan para utilizar con la herramienta están disponibles a un costo adicional en su distribuidor local o en un centro de mantenimiento autorizado. Si necesita ayuda para localizar algún accesorio, póngase en contacto con DeWALT Industrial Tool Co., 701 East Joppa Road, Towson, MD 21286, llame al 1-800-4-DeWALT (1-800-433-9258) o visite nuestro sitio web: www.dewalt.com.

- Soportes compatibles (DWE74911)
- Escala métrica para cortes longitudinales (N458905)
- Conector en Y de extracción de polvo (contacte con su distribuidor local)

Reparaciones

El cargador y las unidades de batería no pueden ser reparados.

ADVERTENCIA: Para asegurar la SEGURIDAD y la CONFIABILIDAD del producto, las reparaciones, el mantenimiento y los ajustes deben (inclusive inspección y cambio de carbones) ser realizados en un centro de mantenimiento en la fábrica DeWALT u en un centro de mantenimiento autorizado DeWALT. Utilice siempre piezas de repuesto idénticas.

Para reparación y servicio de sus herramientas eléctricas, favor de dirigirse al Centro de Servicio más cercano

CULIACAN, SIN

Bldv.Emiliano Zapata 5400-1 Poniente Col. San Rafael

(667) 717 89 99

GUADALAJARA, JAL

Av. La Paz #1779 - Col. Americana Sector Juárez

(33) 3825 6978

MEXICO, D.F.

Eje Central Lázaro Cárdenas No. 18 - Local D, Col. Obrera

(55) 5588 9377

MERIDA, YUC

Calle 63 #459-A - Col. Centro (999) 928 5038

MONTERREY, N.L.

Av. Francisco I. Madero 831 Poniente - Col. Centro (818) 375 23 13

PUEBLA, PUE

17 Norte #205 - Col. Centro (222) 246 3714

QUERETARO, QRO

Av. San Roque 274 - Col. San Gregorio (442) 2 17 63 14

SAN LUIS POTOSI, SLP

Av. Universidad 1525 - Col. San Luis (444) 814 2383

TORREON, COAH

Bldv. Independencia, 96 Pte. - Col. Centro (871) 716 5265

VERACRUZ, VER

Prolongación Díaz Mirón #4280 - Col. Remes (229) 921 7016

VILLAHERMOSA, TAB

Constitución 516-A - Col. Centro (993) 312 5111

PARA OTRAS LOCALIDADES:

Si se encuentra en México, por favor llame al (55) 5326 7100

Si se encuentra en U.S., por favor llame al
1-800-433-9258 (1-800 4-DeWALT)

Póliza de Garantía

IDENTIFICACIÓN DEL PRODUCTO:

Sello o firma del Distribuidor.

Nombre del producto: _____

Mod./Cat.: _____

Marca: _____

Núm. de serie: _____

(Datos para ser llenados por el distribuidor)

Fecha de compra y/o entrega del producto:

Nombre y domicilio del distribuidor donde se adquirió el producto:

Este producto está garantizado por un año a partir de la fecha de entrega, contra cualquier defecto en su funcionamiento, así como en materiales y mano de obra empleados para su fabricación. Nuestra garantía incluye la reparación o reposición del producto y/o componentes sin cargo alguno para el cliente, incluyendo mano de obra, así como los gastos de transportación razonablemente erogados derivados del cumplimiento de este certificado.

Para hacer efectiva esta garantía deberá presentar su herramienta y esta póliza sellada por el establecimiento comercial donde se adquirió el producto, de no contar con ésta, bastará la factura de compra.

Excepciones

Esta garantía no será válida en los siguientes casos:

- Cuando el producto se hubiese utilizado en condiciones distintas a las normales;
- Cuando el producto no hubiese sido operado de acuerdo con el instructivo de uso que se acompaña;
- Cuando el producto hubiese sido alterado o reparado por personas distintas a las enlistadas al final de este certificado.

Anexo encontrará una relación de sucursales de servicio de fábrica, centros de servicio autorizados y franquiciados en la República Mexicana, donde podrá hacer efectiva su garantía y adquirir partes, refacciones y accesorios originales.

Registro en línea

Gracias por su compra. Registre su producto ahora para:

- **SERVICIO EN GARANTÍA:** Si completa esta tarjeta, podrá obtener un servicio en garantía más eficiente, en caso de que exista un problema con su producto.
- **CONFIRMACIÓN DE PROPIEDAD:** En caso de una pérdida que cubra el seguro, como un incendio, una inundación o un robo, el registro de propiedad servirá como comprobante de compra.
- **PARA SU SEGURIDAD:** Si registra el producto, podremos comunicarnos con usted en el caso improbable que se deba enviar una notificación de seguridad conforme a la Federal Consumer Safety Act (Ley Federal de Seguridad de Productos para el Consumidor).

Registro en línea en www.dewalt.com/register.

Garantía limitada por tres años

DeWALT reparará, sin cargo, cualquier falla que surja de defectos en el material o la fabricación del producto, por hasta tres años a contar de la fecha de compra. Esta garantía no cubre fallas de las piezas causadas por su desgaste normal o abuso a la herramienta. Para mayores detalles sobre la cobertura de la garantía e información acerca de reparaciones realizadas bajo garantía, visítenos en www.dewalt.com o diríjase al centro de servicio más cercano. Esta garantía no aplica a accesorios o a daños causados por reparaciones realizadas o intentadas por terceros. Esta garantía le otorga derechos legales específicos, además de los cuales puede tener otros dependiendo del estado o la provincia en que se encuentre.

Además de la garantía, las herramientas DeWALT están cubiertas por:

1 AÑO DE SERVICIO GRATUITO

DeWALT mantendrá la herramienta y reemplazará las piezas gastadas por su uso normal, sin cobro, en cualquier momento durante un año a contar de la fecha de compra. Los artículos gastados por la clavadora, tales como la unidad de hoja y retorno del impulsador, no están cubiertas.

2 AÑOS DE SERVICIO GRATUITO PARA UNIDADES DE ALIMENTACIÓN DEWALT

DC9071, DC9091, DC9096, DC9280, DC9360, DC9180, DCB120, DCB127, DCB201, DCB203, DCB203BT, DCB207

3 AÑOS DE SERVICIO GRATUITO PARA UNIDADES DE ALIMENTACIÓN DEWALT

DCB200, DCB204, DCB204BT, DCB205, DCB606

NOTA: La garantía del producto quedará nula si la unidad de batería ha sido alterada de cualquier manera. DeWALT no es responsable de ninguna lesión causada por alteraciones y podría iniciar un procedimiento judicial por fraude de garantía hasta el máximo grado permisible por la ley.

GARANTÍA DE REEMBOLSO DE SU DINERO POR 90 DÍAS

Si no está completamente satisfecho con el desempeño de su máquina herramienta, láser o clavadora DeWALT, cualquiera sea el motivo, podrá devolverlo hasta 90 días de la fecha de compra con su recibo y obtener el reembolso completo de su dinero – sin necesidad de responder a ninguna pregunta.

AMÉRICA LATINA: Esta garantía no se aplica a los productos que se venden en América Latina. Para los productos que se venden en América Latina, debe consultar la información de la garantía específica del país que viene en el empaque, llamar a la compañía local o visitar el sitio Web a fin de obtener esa información.

REEMPLAZO GRATUITO DE LAS ETIQUETAS DE ADVERTENCIAS: Si sus etiquetas de advertencia se vuelven ilegibles o faltan, llame al 1-800-433-9258 (1-800-4-DeWALT) para que se le reemplacen gratuitamente.

ESPECIFICACIONES

DCS7485 60 V Máx* 5800 rpm

Solamente para propósito de México:

Importado por: DeWALT Industrial Tool Co. S.A. de C.V.

Avenida Antonio Dovali Jaime, # 70 Torre B Piso 9

Colonia La Fe, Santa Fé

Código Postal : 01210

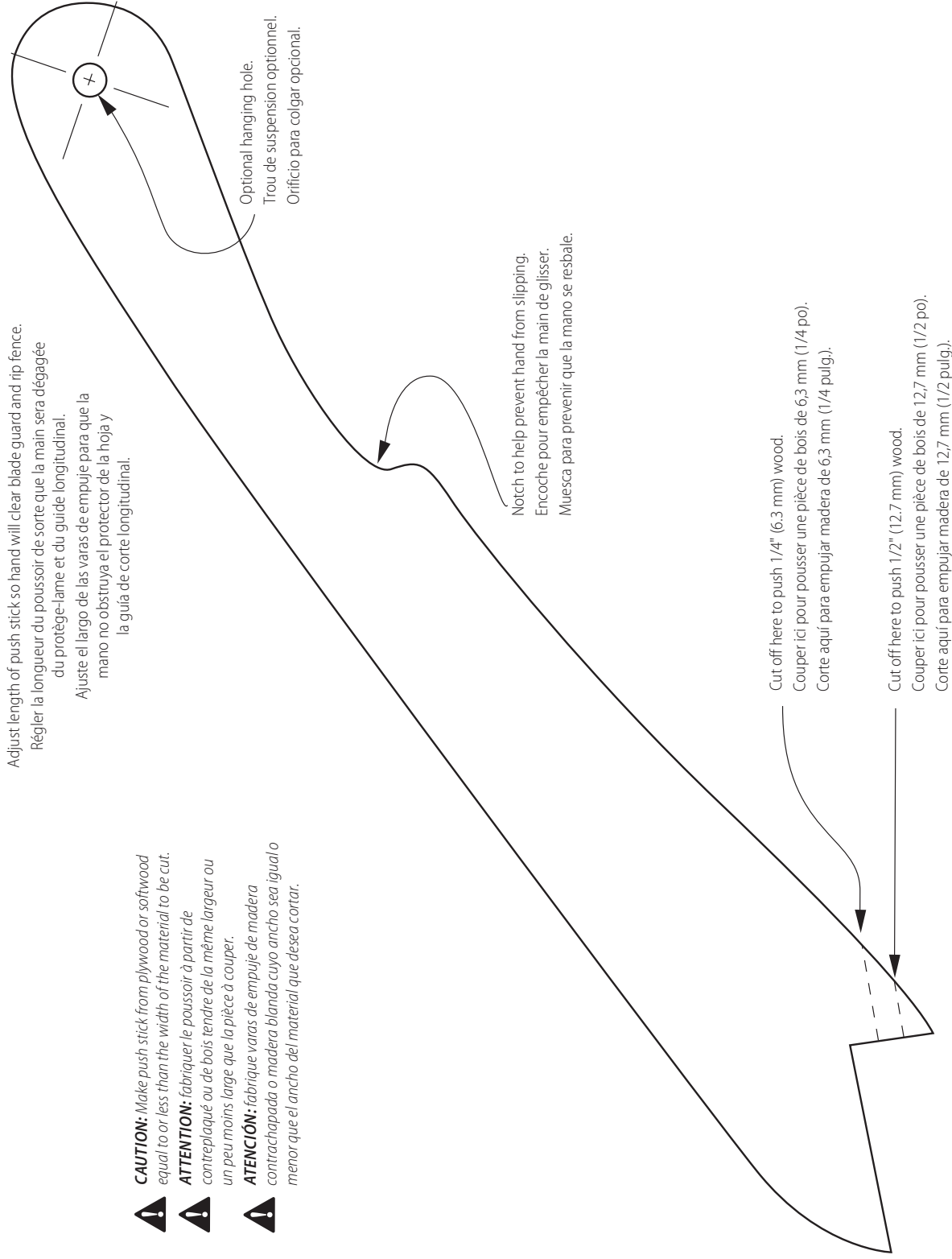
Delegación Alvaro Obregón

México D.F.

Tel. (52) 555-326-7100

R.F.C.: BDE810626-1W7

Push Stick Pattern / Modèle de poussoir / Patrón de la vara de empuje



**Compatible battery packs and chargers / Blocs-piles et chargeurs compatibles /
Baterías y cargadores compatibles**

20V Max* Li-Ion	Battery Packs Blocs-piles Baterías	DCB200, DCB201, DCB203, DCB204, DCB204BT**, DCB205, DCB205BT**, DCB206, DCB208, DCB230, DCB240
	Chargers Chargeurs Cargadores	DCB103, DCB104, DCB107, DCB112, DCB113, DCB115, DCB118, DCB132, DCB1106, DCB1112
60V Max* Li-Ion	Battery Packs Blocs-piles Baterías	DCB606, DCB609, DCB612
	Chargers Chargeurs Cargadores	DCB103, DCB104, DCB107, DCB112, DCB113, DCB115, DCB118, DCB132, DCB1106, DCB1112

* Maximum initial battery voltage (measured without a workload) is 20, 60 or 120 volts. Nominal voltage is 18, 54 or 108. (120V Max* is based on using 2 DeWALT 60V Max* lithium-ion batteries combined.)

* La tension initiale maximum du bloc-piles (mesurée à vide) est de 20, 60 ou 120 volts. La tension nominale est de 18, 54 ou 108. (120 V max* se base sur l'utilisation combinée de 2 blocs-piles au lithium ion DeWALT de 60 V max*).

* El máximo voltaje inicial de la batería (medido sin carga de trabajo) es 20 o 60 voltios. El voltaje nominal es de 18, 54 o 108 V. (120 V Máx* se basan en el uso de 2 baterías de iones de litio DeWALT de 60 V Máx* combinadas.)

**BT - Bluetooth®

NOTE: The Bluetooth® word mark and logos are registered trademarks owned by the Bluetooth®, SIG, Inc. and any use of such marks by DeWALT is under license. Other trademarks and trade names are those of their respective owners.

REMARQUE : le mot servant de marque et les logos Bluetooth® sont des marques déposées appartenant à Bluetooth SIG, Inc. et toute utilisation de ces marques par DeWALT est sous licence. Les autres marques de commerce et noms commerciaux sont ceux de leurs détenteurs respectifs.

NOTA: La palabra y los logotipos de Bluetooth® son marcas registradas propiedad de Bluetooth®, SIG, Inc. y DeWALT utiliza dichas marcas bajo licencia. Otras marcas comerciales y nombres comerciales pertenecen a sus respectivos propietarios.



WARNING: Use of any other battery packs may create a risk of injury and fire.



AVERTISSEMENT : utiliser d'autres blocs-piles peut créer un risque de blessure ou d'incendie.



ADVERTENCIA: El uso de cualquier otro paquete de batería puede crear un riesgo de lesiones e incendio.