

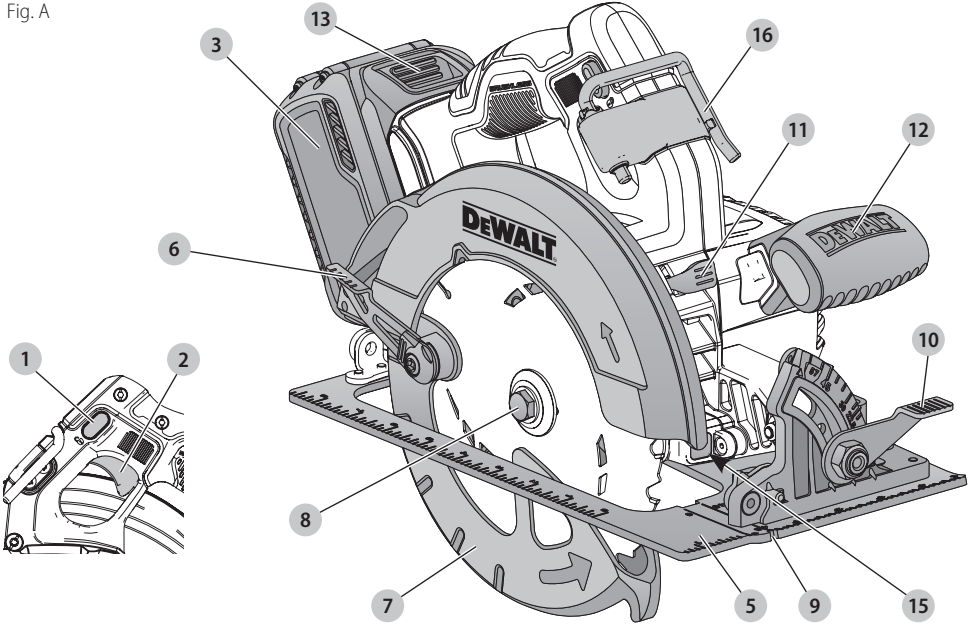
### DCS578

60V Max\* 7-1/4" (184 mm) Cordless Circular Saw

Scie circulaire sans fil de 60 V max\* 184 mm (7-1/4 po.)

Sierra circular inalámbrica de 60 V Máx\* 184 mm (7-1/4")

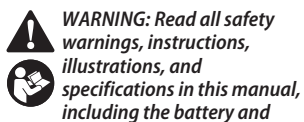
Fig. A



- |                                      |   |   |
|--------------------------------------|---|---|
| 1 Trigger switch lock-off button     | 1 Bouton de verrouillage de la gâchette       | 1 Botón de bloqueo del interruptor tipo gatillo         |
| 2 Trigger switch                     | 2 Interrupteur à gâchette                     | 2 Conmutador tipo gatillo                               |
| 3 Battery pack                       | 3 Bloc-piles                                  | 3 Unidad de batería                                     |
| 4 Depth adjustment lever (Fig. B)    | 4 Levier de réglage de profondeur (Fig. B)    | 4 Palanca de ajuste de profundidad (Fig. B)             |
| 5 Shoe                               | 5 Patin                                       | 5 Base  |
| 6 Lower blade guard retracting lever | 6 Levier rétractant du protège-lame inférieur | 6 Palanca retractable del protector de la hoja inferior |
| 7 Lower blade guard                  | 7 Protège-lame inférieur                      | 7 Protector de la hoja inferior                         |
| 8 Blade clamping screw               | 8 Vis de fixation de la lame                  | 8 Tornillo de fijación de la hoja                       |
| 9 Kerf indicator                     | 9 Indicateur de trait de scie                 | 9 Indicador de la vía del corte                         |
| 10 Bevel adjustment lever            | 10 Levier de réglage d'angle de biseau        | 10 Palanca de ajuste del bisel                          |
| 11 Blade lock button                 | 11 Bouton de verrouillage de la lame          | 11 Botón de bloqueo de la hoja                          |
| 12 Auxiliary handle                  | 12 Poignée auxiliaire                         | 12 Mango auxiliar                                       |
| 13 Battery release button            | 13 Bouton de libération du bloc-piles         | 13 Botón de liberación de la batería                    |
| 14 Blade wrench (Fig. G)             | 14 Clé pour lame (Fig. G)                     | 14 Llave de la hoja (Fig. G)                            |
| 15 Worklight                         | 15 Lampe de travail                           | 15 Luz de trabajo                                       |
| 16 Hang hook                         | 16 Crochet de suspension                      | 16 Gancho para colgar                                   |

If you have questions or comments, contact us.  
Pour toute question ou tout commentaire, nous contacter.  
Si tiene dudas o comentarios, contáctenos.

[www.DEWALT.com](http://www.DEWALT.com)  
**1-800-4-DEWALT**



Manuals can be obtained by contacting Customer Service as described elsewhere in this manual. Failure to follow the warnings and instructions may result in electric shock, fire and/or serious injury.

## Definitions: Safety Alert Symbols and Words

This instruction manual uses the following safety alert symbols and words to alert you to hazardous situations and your risk of personal injury or property damage.

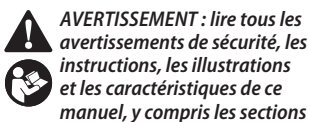
▲ **DANGER:** Indicates an imminently hazardous situation which, if not avoided, **will** result in **death or serious injury**.

▲ **WARNING:** Indicates a potentially hazardous situation which, if not avoided, **could** result in **death or serious injury**.

▲ **CAUTION:** Indicates a potentially hazardous situation which, if not avoided, **may** result in **minor or moderate injury**.

▲ (Used without word) Indicates a safety related message.

**NOTICE:** Indicates a practice not related to personal injury which, if not avoided, **may** result in **property damage**.



**Définitions : symboles et termes d'alarmes sécurité**

Ces guides d'utilisation utilisent les symboles et termes d'alarmes sécurité suivants pour vous prévenir de situations dangereuses et de risques de dommages corporels ou matériels.

## Définitions : symboles et termes d'alarmes sécurité

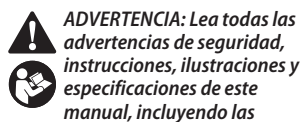
▲ **DANGER :** indique une situation dangereuse imminente qui, si elle n'est pas évitée, **entraînera la mort ou des blessures graves**.

▲ **AVERTISSEMENT :** indique une situation potentiellement dangereuse qui, si elle n'est pas évitée, **pourrait entraîner la mort ou des blessures graves**.

▲ **ATTENTION :** indique une situation potentiellement dangereuse qui, si elle n'est pas évitée, **pourrait entraîner des blessures légères ou modérées**.

▲ (Si utilisé sans aucun terme) Indique un message propre à la sécurité.

**AVIS :** indique une pratique ne posant **aucun risque de dommages corporels** mais qui par contre, si rien n'est fait pour l'éviter, **pourrait** poser des **risques de dommages matériels**.



**Definiciones: Símbolos y Palabras de Alerta de Seguridad**

Este manual de instrucciones utiliza los siguientes símbolos y palabras de alerta de seguridad para alertarle de situaciones peligrosas y del riesgo de lesiones corporales o daños materiales.

## Definiciones: Símbolos y Palabras de Alerta de Seguridad

▲ **PELIGRO:** Indica una situación de peligro imminente que, si no se evita, provocará **la muerte o lesiones graves**.

▲ **ADVERTENCIA:** Indica una situación de peligro potencial que, si no se evita, **podría** provocar **la muerte o lesiones graves**.

▲ **ATENCIÓN:** Indica una situación de peligro potencial que, si no se evita, **posiblemente** provocaría **lesiones leves o moderadas**.

▲ (Utilizado sin palabras) indica un mensaje de seguridad relacionado.

**AVISO:** Se refiere a una práctica **no relacionada a lesiones corporales** que de no evitarse **puede** resultar en **daños a la propiedad**.

---

English (original instructions)

6

---

Français (traduction de la notice d'instructions originale)

13

---

Español (traducido de las instrucciones originales)

21

---

Fig. B

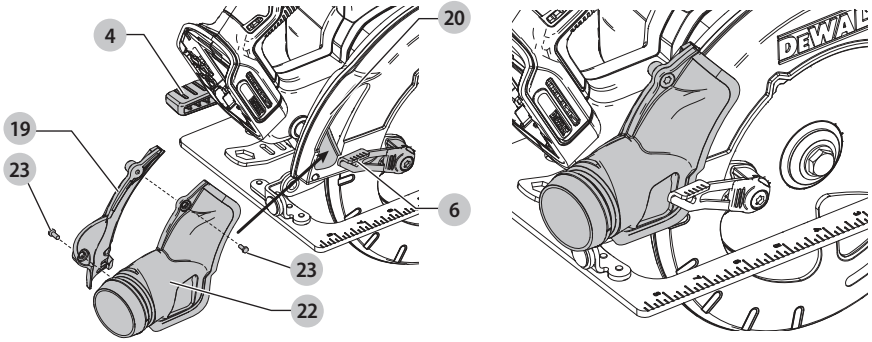


Fig. C

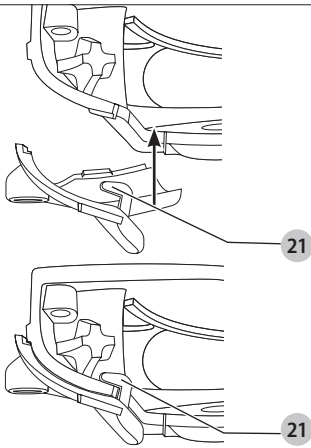


Fig. D

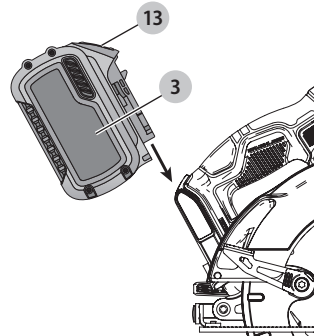


Fig. E

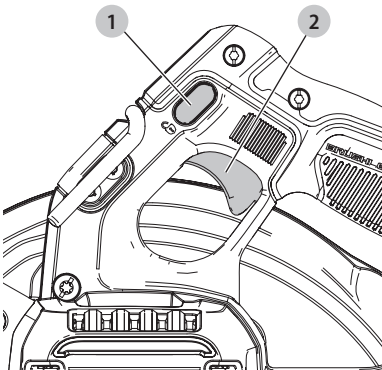


Fig. F

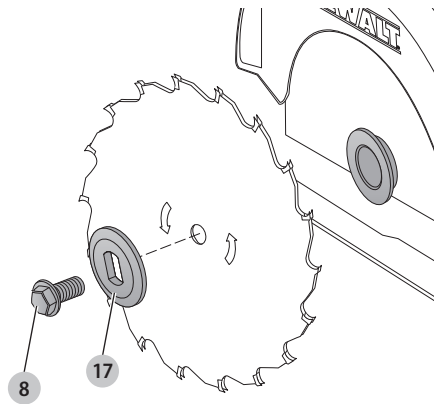


Fig. G

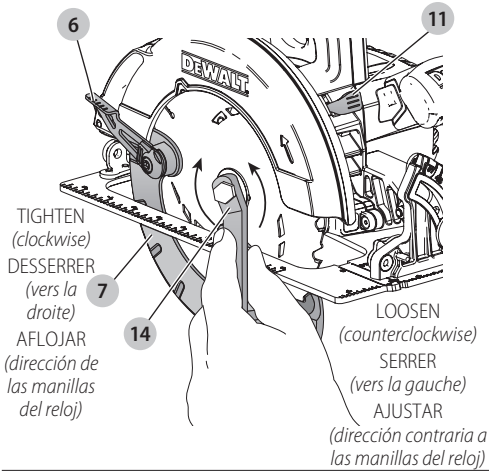


Fig. H

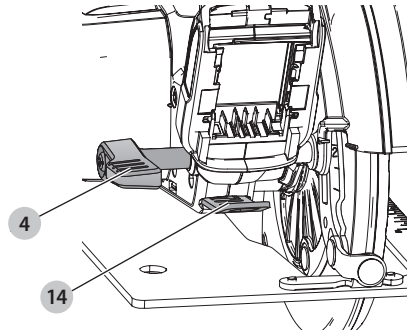


Fig. I

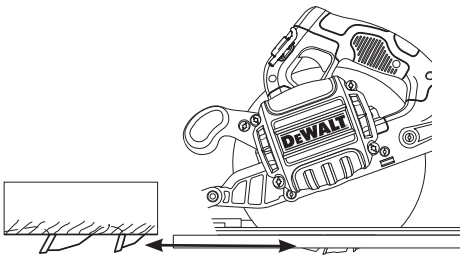


Fig. J

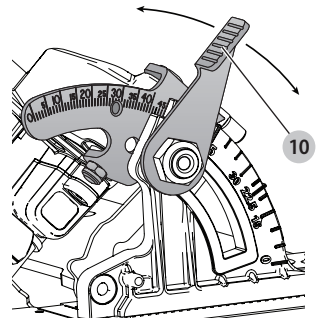


Fig. K

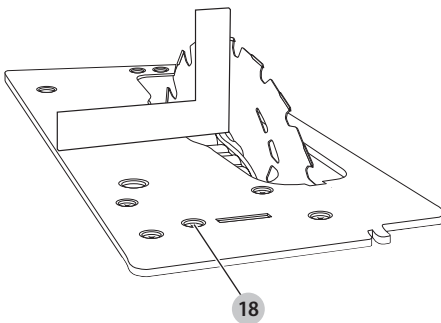


Fig. L

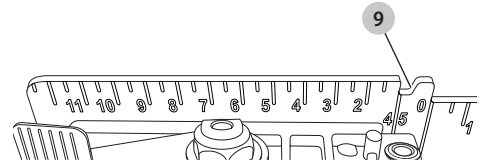


Fig. M

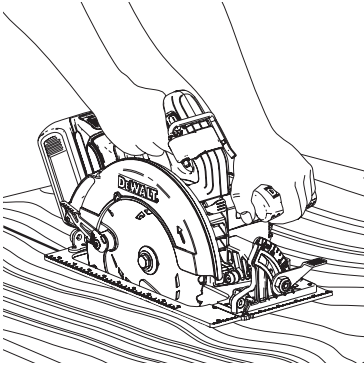


Fig. N

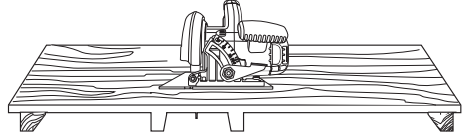


Fig. O

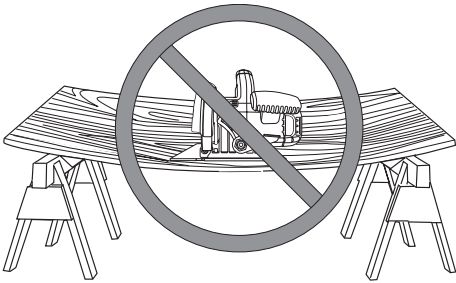


Fig. P

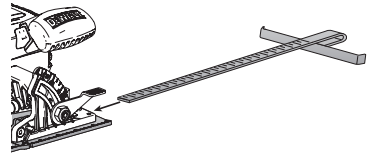
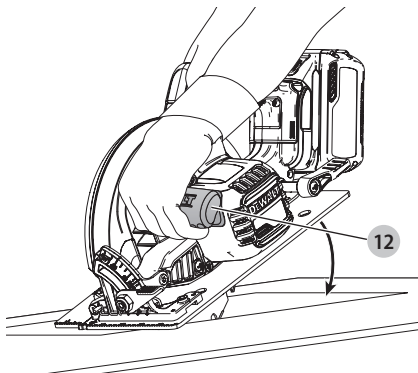


Fig. Q



## Intended Use

This heavy-duty circular saw is designed for professional wood cutting applications. Do not cut metal, plastic, concrete, masonry or fiber cement materials.

**DO NOT** use under wet conditions or in presence of flammable liquids or gases.

**DO NOT** let children come into contact with the tool. Supervision is required when inexperienced operators use this tool.

## GENERAL POWER TOOL SAFETY WARNINGS

**▲ WARNING: Read all safety warnings, instructions, illustrations and specifications provided with this power tool. Failure to follow all instructions listed below may result in electric shock, fire and/or serious injury.**

## SAVE ALL WARNINGS AND INSTRUCTIONS FOR FUTURE REFERENCE.

The term "power tool" in the warnings refers to your mains-operated (corded) power tool or battery-operated (cordless) power tool.

### 1) Work Area Safety

- a) **Keep work area clean and well lit.** Cluttered or dark areas invite accidents.
- b) **Do not operate power tools in explosive atmospheres, such as in the presence of flammable liquids, gases or dust.** Power tools create sparks which may ignite the dust or fumes.
- c) **Keep children and bystanders away while operating a power tool.** Distractions can cause you to lose control.

### 2) Electrical Safety

- a) **Power tool plugs must match the outlet. Never modify the plug in any way. Do not use any adapter plugs with earthed (grounded) power tools.** Unmodified plugs and matching outlets will reduce risk of electric shock.
- b) **Avoid body contact with earthed or grounded surfaces, such as pipes, radiators, ranges and refrigerators.** There is an increased risk of electric shock if your body is earthed or grounded.
- c) **Do not expose power tools to rain or wet conditions.** Water entering a power tool will increase the risk of electric shock.
- d) **Do not abuse the cord. Never use the cord for carrying, pulling or unplugging the power tool. Keep cord away from heat, oil, sharp edges or moving parts.** Damaged or entangled cords increase the risk of electric shock.

- e) **When operating a power tool outdoors, use an extension cord suitable for outdoor use.** Use of a cord suitable for outdoor use reduces the risk of electric shock.
- f) **If operating a power tool in a damp location is unavoidable, use a ground fault circuit interrupter (GFCI) protected supply.** Use of a GFCI reduces the risk of electric shock.

### 3) Personal Safety

- a) **Stay alert, watch what you are doing and use common sense when operating a power tool. Do not use a power tool while you are tired or under the influence of drugs, alcohol or medication.** A moment of inattention while operating power tools may result in serious personal injury.

- b) **Use personal protective equipment. Always wear eye protection.** Protective equipment such as dust mask, non-skid safety shoes, hard hat, or hearing protection used for appropriate conditions will reduce personal injuries.
- c) **Prevent unintentional starting. Ensure the switch is in the off-position before connecting to power source and/or battery pack, picking up or carrying the tool.** Carrying power tools with your finger on the switch or energizing power tools that have the switch on invites accidents.
- d) **Remove any adjusting key or wrench before turning the power tool on.** A wrench or a key left attached to a rotating part of the power tool may result in personal injury.
- e) **Do not overreach. Keep proper footing and balance at all times.** This enables better control of the power tool in unexpected situations.
- f) **Dress properly. Do not wear loose clothing or jewelry. Keep your hair, clothing and gloves away from moving parts.** Loose clothes, jewelry or long hair can be caught in moving parts.
- g) **If devices are provided for the connection of dust extraction and collection facilities, ensure these are connected and properly used.** Use of dust collection can reduce dust-related hazards.
- h) **Do not let familiarity gained from frequent use of tools allow you to become complacent and ignore tool safety principles.** A careless action can cause severe injury within a fraction of a second.

### 4) Power Tool Use and Care

- a) **Do not force the power tool. Use the correct power tool for your application.** The correct power tool will do the job better and safer at the rate for which it was designed.
- b) **Do not use the power tool if the switch does not turn it on and off.** Any power tool that cannot be controlled with the switch is dangerous and must be repaired.
- c) **Disconnect the plug from the power source and/or remove the battery pack, if detachable, from the power tool before making any adjustments, changing accessories, or storing power tools.** Such preventive safety measures reduce the risk of starting the power tool accidentally.
- d) **Store idle power tools out of the reach of children and do not allow persons unfamiliar with the power tool or these instructions to operate the power tool.** Power tools are dangerous in the hands of untrained users.
- e) **Maintain power tools and accessories. Check for misalignment or binding of moving parts, breakage of parts and any other condition that may affect the power tool's operation. If damaged, have the power tool repaired before use.** Many accidents are caused by poorly maintained power tools.
- f) **Keep cutting tools sharp and clean.** Properly maintained cutting tools with sharp cutting edges are less likely to bind and are easier to control.
- g) **Use the power tool, accessories and tool bits etc. in accordance with these instructions, taking into account the working conditions and the work to be performed.** Use of the power tool for operations different from those intended could result in a hazardous situation.

h) **Keep handles and grasping surfaces dry, clean and free from oil and grease.** Slippery handles and grasping surfaces do not allow for safe handling and control of the tool in unexpected situations.

## 5) Battery Tool Use and Care

a) **Recharge only with the charger specified by the manufacturer.** A charger that is suitable for one type of battery pack may create a risk of fire when used with another battery pack.

b) **Use power tools only with specifically designated battery packs.** Use of any other battery packs may create a risk of injury and fire.

c) **When battery pack is not in use, keep it away from other metal objects, like paper clips, coins, keys, nails, screws or other small metal objects, that can make a connection from one terminal to another.** Shorting the battery terminals together may cause burns or a fire.

d) **Under abusive conditions, liquid may be ejected from the battery; avoid contact. If contact accidentally occurs, flush with water. If liquid contacts eyes, additionally seek medical help.** Liquid ejected from the battery may cause irritation or burns.

e) **Do not use a battery pack or tool that is damaged or modified.** Damaged or modified batteries may exhibit unpredictable behavior resulting in fire, explosion or risk of injury.

f) **Do not expose a battery pack or tool to fire or excessive temperature.** Exposure to fire or temperature above 265 °F (130 °C) may cause explosion.

g) **Follow all charging instructions and do not charge the battery pack or tool outside the temperature range specified in the instructions.** Charging improperly or at temperatures outside the specified range may damage the battery and increase the risk of fire.

## 6) Service

a) **Have your power tool serviced by a qualified repair person using only identical replacement parts.** This will ensure that the safety of the power tool is maintained.

b) **Never service damaged battery packs.** Service of battery packs should only be performed by the manufacturer or authorized service providers.

## Safety Instructions for All Saws

a) **⚠️ DANGER: Keep hands away from cutting area and the blade. Keep your second hand on auxiliary handle, or motor housing.** If both hands are holding the saw, they cannot be cut by the blade.

b) **Do not reach underneath the workpiece.** The guard cannot protect you from the blade below the workpiece.

c) **Adjust the cutting depth to the thickness of the workpiece.** Less than a full tooth of the blade teeth should be visible below the workpiece.

d) **Never hold the workpiece in your hands or across your leg while cutting. Secure the workpiece to a stable platform.** It is important to support the work properly to minimize body exposure, blade binding, or loss of control.

e) **Hold the power tool by insulated gripping surfaces when performing an operation where the cutting tool may contact hidden wiring or its own cord.** Contact with a "live" wire will also make exposed metal parts of the power tool "live" and could give the operator an electric shock.

f) **When ripping always use a rip fence or straight edge guide.** This improves the accuracy of cut and reduces the chance of blade binding.

g) **Always use blades with correct size and shape (diamond versus round) of arbor holes.** Blades that do not match the mounting hardware of the saw will run off-center, causing loss of control.

h) **Never use damaged or incorrect blade washers or bolt.** The blade washers and bolt were specially designed for your saw, for optimum performance and safety of operation.

## Further Safety Instructions for All Saws

### Kickback Causes and Related Warnings

– Kickback is a sudden reaction to a pinched, jammed or misaligned saw blade, causing an uncontrolled saw to lift up and out of the workpiece toward the operator;

– When the blade is pinched or jammed tightly by the kerf closing down, the blade stalls and the motor reaction drives the unit rapidly back toward the operator;

– If the blade becomes twisted or misaligned in the cut, the teeth at the back edge of the blade can dig into the top surface of the wood causing the blade to climb out of the kerf and jump back toward the operator.

Kickback is the result of saw misuse and/or incorrect operating procedures or conditions and can be avoided by taking proper precautions as given below:

a) **Maintain a firm grip with both hands on the saw and position your arms to resist kickback forces. Position your body to either side of the blade, but not in line with the blade.** Kickback could cause the saw to jump backwards, but kickback forces can be controlled by the operator, if proper precautions are taken.

b) **When blade is binding, or when interrupting a cut for any reason, release the trigger and hold the saw motionless in the material until the blade comes to a complete stop. Never attempt to remove the saw from the work or pull the saw backward while the blade is in motion or kickback may occur.** Investigate and take corrective actions to eliminate the cause of blade binding.

c) **When restarting a saw in the workpiece, center the saw blade in the kerf and check that saw teeth are not engaged into the material.** If a saw blade binds, it may walk up or kickback from the workpiece as the saw is restarted.

d) **Support large panels to minimize the risk of blade pinching and kickback.** Large panels tend to sag under their own weight. Supports must be placed under the panel on both sides, near the line of cut and near the edge of the panel.

e) **Do not use dull or damaged blades.** Unsharpened or improperly set blades produce narrow kerf causing excessive friction, blade binding and kickback.

f) **Blade depth and bevel adjusting locking levers must be tight and secure before making cut.** If blade adjustment shifts while cutting, it may cause binding and kickback.

g) **Use extra caution when sawing into existing walls or other blind areas.** The protruding blade may cut objects that can cause kickback.

### Lower Guard Function Safety Instructions

a) **Check lower guard for proper closing before each use. Do not operate the saw if lower guard does not move freely and close instantly. Never clamp or tie the lower guard into the open position.** If saw is accidentally dropped, lower guard may be bent. Raise the lower guard

## ENGLISH

with the retracting handle and make sure it moves freely and does not touch the blade or any other part, in all angles and depths of cut.

b) **Check the operation of the lower guard spring. If the guard and the spring are not operating properly, they must be serviced before use.** Lower guard may operate sluggishly due to damaged parts, gummy deposits, or a build-up of debris.

c) **Lower guard should be retracted manually only for special cuts such as “plunge cuts” and “compound cuts.” Raise lower guard by retracting handle and as soon as blade enters the material, the lower guard must be released.** For all other sawing, the lower guard should operate automatically.

d) **Always observe that the lower guard is covering the blade before placing saw down on bench or floor.** An unprotected, coasting blade will cause the saw to walk backwards, cutting whatever is in its path. Be aware of the time it takes for the blade to stop after switch is released.

### Additional Safety Information

**▲ WARNING:** Never modify the power tool or any part of it. Damage or personal injury could result.

**▲ WARNING: ALWAYS** use safety glasses. Everyday eyeglasses are NOT safety glasses. Also use face or dust mask if cutting operation is dusty. ALWAYS WEAR CERTIFIED SAFETY EQUIPMENT:

- ANSI Z87.1 eye protection (CAN/CSA Z94.3),
- ANSI S12.6 (S3.19) hearing protection,
- NIOSH/OSHA/MSHA respiratory protection.

**▲ WARNING:** Some dust created by power sanding, sawing, grinding, drilling, and other construction activities contains chemicals known to the State of California to cause cancer, birth defects or other reproductive harm. Some examples of these chemicals are:

- lead from lead-based paints,
- crystalline silica from bricks and cement and other masonry products, and
- arsenic and chromium from chemically-treated lumber.

Your risk from these exposures varies, depending on how often you do this type of work. To reduce your exposure to these chemicals: work in a well ventilated area, and work with approved safety equipment, such as those dust masks that are specially designed to filter out microscopic particles.

• **Avoid prolonged contact with dust from power sanding, sawing, grinding, drilling, and other construction activities. Wear protective clothing and wash exposed areas with soap and water.** Allowing dust to get into your mouth, eyes, or lay on the skin may promote absorption of harmful chemicals.

**▲ WARNING:** Use of this tool can generate and/or disperse dust, which may cause serious and permanent respiratory or other injury. Always use NIOSH/OSHA approved respiratory protection appropriate for the dust exposure. Direct particles away from face and body.













**▲ WARNING: Always wear proper personal hearing protection that conforms to ANSI S12.6 (S3.19) during use.** Under some conditions and duration of use, noise from this product may contribute to hearing loss.

**▲ CAUTION: When not in use, place tool on its side on a stable surface where it will not cause a tripping or falling hazard.** Some tools with large battery packs

will stand upright on the battery pack but may be easily knocked over.

• **Air vents often cover moving parts and should be avoided.** Loose clothes, jewelry or long hair can be caught in moving parts.

The label on your tool may include the following symbols. The symbols and their definitions are as follows:

V .....	volts		or AC/DC... alternating or direct current
Hz .....	hertz		
min .....	minutes		Class II Construction (double insulated)
 or DC .....	direct current		
 .....	Class I Construction (grounded)	$n_0$ .....	no load speed
.../min .....	per minute	n .....	rated speed
BPM .....	beats per minute		earthing terminal
IPM .....	impacts per minute		safety alert symbol
RPM .....	revolutions per minute		visible radiation
sfpm .....	surface feet per minute		wear respiratory protection
SPM .....	strokes per minute		wear eye protection
A .....	amperes		wear hearing protection
W .....	watts		read all documentation
 or AC .....	alternating current		

### ASSEMBLY AND ADJUSTMENTS

**▲ WARNING: To reduce the risk of serious personal injury, turn unit off and remove the battery pack before making any adjustments or removing/installing attachments or accessories.** An accidental start-up can cause injury.

**▲ WARNING:** To reduce the risk of serious personal injury, always wear ANSI compliant eye protection.

#### Assembling the Dust Port (Fig. B, C) (Optional Accessory)

1. Fully loosen depth adjustment lever (4, Fig. B).
2. Align the dust port—back half 19 over upper blade guard 20 as shown. Be sure to insert the tab 21 into the casting notch on the tool as shown in Figure C. When installed correctly, it will snap fully over the original depth of cut pointer.
3. Align the dust port 22 with the dust port—back half 19.
4. Insert two dust port screws 23 as shown and tighten securely.

### OPERATION

**▲ WARNING: To reduce the risk of serious personal injury, turn unit off and remove the battery pack before making any adjustments or removing/installing attachments or accessories.** An accidental start-up can cause injury.

#### Installing and Removing the Battery Pack (Fig. D)

**NOTE:** For best results, make sure your battery pack is fully charged.

To install the battery pack 3 into the tool handle, align the battery pack with the rails inside the tool's handle and slide it into the handle until the battery pack is firmly seated in the tool and ensure that it does not disengage.

To remove the battery pack from the tool, press the release button 13 and firmly pull the battery pack out of the tool handle. Insert it into the charger.



## Worklight (Fig. A)

**▲ CAUTION: Do not stare into worklight.** *Serious eye injury could result.*

There is a worklight **15** located just below the blade lock button **11**. The worklight is activated when the trigger switch is depressed, and will automatically turn off 20 seconds after the trigger switch is released. If the trigger switch remains depressed, the worklight will remain on.

**NOTE:** The worklight is for lighting the immediate work surface and is not intended to be used as a flashlight.

## Trigger Switch (Fig. E)

**▲ WARNING:** *This tool has no provision to lock the trigger switch in the ON position and should never be locked ON by any other means.*

Release the trigger switch lock-off button **1** by pressing the button as shown. Pull the trigger switch **2** to turn the motor on. Releasing the trigger switch turns the motor off.

## Changing Blades (Fig. F, G)

**▲ WARNING: Remove battery from tool before changing blades.**

### To install the Blade (Fig. F, G)

1. Retract the lower blade guard **7** using the lower blade retracting lever **6** and place the blade on the saw spindle against the inner clamp washer, making sure that the blade will rotate in the proper direction (the direction of the rotation arrow on the saw blade and the teeth must point in the same direction as the direction of rotation arrow on the lower blade guard). Do not assume that the printing on the blade will always be facing you when properly installed. When retracting the lower blade guard to install the blade, check the condition and operation of the lower blade guard to assure that it is working properly. Make sure it moves freely and does not touch the blade or any other part, in all angles and depths of cut.

2. Place outer clamp washer **17** on saw spindle with the large flat surface against the blade with beveled side facing out.

3. Thread blade clamping screw **8** into saw spindle by hand (screw has right-hand threads and must be turned clockwise to tighten).

4. Depress the blade lock button **11** while turning the saw spindle with the blade wrench **14** until the blade lock engages and the blade stops rotating (Fig. G).

5. Tighten the blade clamping screw firmly with the blade wrench.

**NOTE:** Never engage the blade lock while saw is running, or engage in an effort to stop the tool. Never turn the saw on while the blade lock is engaged. Serious damage to your saw will result.

### To Replace the Blade (Fig. F, G)

1. To loosen the blade clamping screw **8**, depress the blade lock button **11** and turn the saw spindle with the blade wrench **14** until the blade lock engages and the blade stops rotating. With the blade lock engaged, turn the blade clamping screw counterclockwise with the blade wrench (screw has right-hand threads and must be turned counterclockwise to loosen).

2. Remove the blade clamping screw **8** and outer clamp washer **17** only. Remove old blade.

3. Clean any sawdust that may have accumulated in the guard or clamp washer area and check the condition and

operation of the lower blade guard as previously outlined. Do not lubricate this area.

4. Select the proper blade for the application (see **Blades**). Always use blades that are the correct size (diameter) with the proper size and shape center hole for mounting on the saw spindle. Always assure that the maximum recommended speed (rpm) on the saw blade meets or exceeds the speed (rpm) of the saw.

5. Follow steps 2 through 5 under **To Install the Blade**, making sure that the blade will rotate in the proper direction.

## Lower Blade Guard

**▲ WARNING: The lower blade guard is a safety feature which reduces the risk of serious personal injury. Never use the saw if the lower blade guard is missing, damaged, misassembled or not working properly. Do not rely on the lower blade guard to protect you under all circumstances. Your safety depends on following all warnings and precautions as well as proper operation of the saw. Check lower blade guard for proper closing before each use as outlined in Further Safety Instructions for All Saws. If the lower blade guard is missing or not working properly, have the saw serviced before using. To assure product safety and reliability, repair, maintenance and adjustment should be performed by an authorized service center or other qualified service organization, always using identical replacement parts.**

## Blades

**▲ WARNING:** *To minimize the risk of eye injury, always use eye protection. Carbide is a hard but brittle material. Foreign objects in the workpiece such as wire or nails can cause tips to crack or break. Only operate saw when proper saw blade guard is in place. Mount blade securely in proper rotation before using, and always use a clean, sharp blade.*

**▲ WARNING:** *Do not cut metal, plastic, concrete, masonry or fiber cement materials with this saw.*

Do not use abrasive wheels or blades. A dull blade will cause slow inefficient cutting, overload on the saw motor, excessive splintering, and could increase the possibility of kickback. Please refer to the table below to determine the correct size replacement blade for your model saw.

### RECOMMENDED BLADE TYPES

Combination Framing	5/8" Round arbor, 24 teeth All purpose fast rip and cross cuts
Pressure Treated/Wet Lumber	5/8" Round arbor, 20 teeth Coated, resistant to gum build-up
Extreme Durability	5/8" Round arbor, 18 teeth Coated, rock carbide
Finishing	5/8" Round arbor, 36 teeth More teeth for finer finish cuts.
Fast Cut Framing	5/8" round arbor, 18 teeth Fastest blade for rips and cross cuts

## ENGLISH

If you need assistance regarding blades, please call 1–800–4-DeWALT (1–800–433–9258).

### Kickback

Kickback is a sudden reaction to a pinched, bound or misaligned saw blade, causing an uncontrolled saw to lift up and out of the workpiece toward the operator. When the blade is pinched or bound tightly by the kerf closing down, the blade stalls and the motor reaction drives the unit rapidly back toward the operator. If the blade becomes twisted or misaligned in the cut, the teeth at the back edge of the blade can dig into the top surface of the wood causing the blade to climb out of the kerf and jump back toward the operator.

Kickback is more likely to occur when any of the following conditions exists.

#### 1. IMPROPER WORKPIECE SUPPORT

- Sagging or improper lifting of the cut off piece can cause pinching of the blade and lead to kickback.
- Cutting through material supported at the outer ends only can cause kickback. As the material weakens it sags, closing down the kerf and pinching the blade (Fig. O).
- Cutting off a cantilevered or overhanging piece of material from the bottom up in a vertical direction can cause kickback. The falling cut off piece can pinch the blade.
- Cutting off long narrow strips (as in ripping) can cause kickback. The cut off strip can sag or twist closing the kerf and pinching the blade.
- Snagging the lower guard on a surface below the material being cut momentarily reduces operator control. The saw can lift partially out of the cut increasing the chance of blade twist.

#### 2. IMPROPER DEPTH OF CUT SETTING ON SAW

a. To make the most efficient cut, the blade should protrude only far enough to expose one-half of a tooth as shown in Figure I. This allows the shoe to support the blade and minimizes twisting and pinching in the material. See the section titled **Cutting Depth Adjustment**.

#### 3. BLADE TWISTING (MISALIGNMENT IN CUT)

- Pushing harder to cut through a knot, a nail or a hard grain area can cause the blade to twist.
- Trying to turn the saw in the cut (trying to get back on the marked line) can cause blade twist.
- Overreaching or operating the saw with poor body control (out of balance), can result in twisting the blade.
- Changing hand grip or body position while cutting can result in blade twist.
- Backing up the saw to clear blade can lead to twist.

#### 4. MATERIALS THAT REQUIRE EXTRA ATTENTION

- Wet lumber
- Green lumber (material freshly cut or not kiln dried)
- Pressure treated lumber (material treated with preservatives or anti-rot chemicals)

#### 5. USE OF DULL OR DIRTY BLADES

a. Dull blades cause increased loading of the saw. To compensate, an operator will usually push harder which further loads the unit and promotes twisting of the blade in the kerf. Worn blades may also have insufficient body clearance which increases the chance of binding and increased loading.

#### 6. LIFTING THE SAW WHEN MAKING A BEVEL CUT

a. Bevel cuts require special operator attention to proper cutting techniques – especially guidance of the saw. Both blade angle to the shoe and greater blade surface in the material increase the chance for binding and misalignment (twist) to occur.

#### 7. RESTARTING A CUT WITH THE BLADE TEETH JAMMED AGAINST THE MATERIAL

a. The saw should be brought up to full operating speed before starting a cut or restarting a cut after the unit has been stopped with the blade in the kerf. Failure to do so can cause stalling and kickback.

Any other conditions which could result in pinching, binding, twisting, or misalignment of the blade could cause kickback. Refer to the sections **Further Safety Instructions for All Saws** and **Blades** for procedures and techniques that will minimize the occurrence of kickback.

### Cutting Depth Adjustment (Fig. A, H, I)

**NOTE:** The maximum depth of cut for this saw is 2-9/16" (65 mm) at 90°.

- Hold the saw firmly and loosen (clockwise) the depth adjustment lever **4** and move shoe (**5**, Fig. A) to obtain the desired depth of cut.
- Make sure the depth adjustment lever has been retightened (counterclockwise) before operating saw.

For the most efficient cutting action, set the depth adjustment so that one-half tooth of the blade will project below the material to be cut. This distance is from the tip of the tooth to the bottom of the gullet in front of it. This keeps blade friction at a minimum, removes sawdust from the cut, results in cooler, faster sawing and reduces the chance of kickback. A method for checking for correct cutting depth is shown in Figure I. Lay a piece of the material you plan to cut along the side of the blade, as shown, and observe how much tooth projects beyond the material.

### Bevel Angle Adjustment (Fig. A, J)

The full range of the bevel adjustment is from 0° to 57°. The quadrant is graduated in increments of 1°. On the front of the saw is a bevel angle adjustment mechanism consisting of a calibrated quadrant and a bevel adjustment lever **10**.

#### To set the saw for a bevel cut

- Loosen (counterclockwise) the bevel adjustment lever **10** and tilt shoe (**5**, Fig. A) to the desired angle by aligning the pointer with the desired angle mark.
- Retighten lever firmly (clockwise).

#### Shoe Adjustment for 90° Cuts (Fig. J, K)

##### If additional adjustment is needed:

- Adjust the saw to 0° bevel.
- Retract the lower blade guard. Place the saw on blade side.
- Loosen bevel adjustment lever (**10**, Fig. J). Place a square against the blade and shoe to adjust the 90° setting.
- Turn the calibration screw **18** so that the shoe will stop at the proper angle.
- Confirm the accuracy of the setting by checking the squareness of an actual cut on a scrap piece of material.

### Kerf Indicator (Fig. L)

The front of the saw shoe has a kerf indicator **9** for vertical and bevel cutting. This indicator enables you to guide the saw along cutting lines penciled on the material being cut.

The kerf indicator lines up with the left (inner) side of the saw blade, which makes the slot or “kerf” cut by the moving blade fall to the right of the indicator. Guide along the penciled cutting line so that the kerf falls into the waste or surplus material.

### Workpiece Support (Fig. M–O)

**▲ WARNING:** *It is important to support the work properly and to hold the saw firmly to prevent loss of control which could cause personal injury. Figure M illustrates proper hand support of the saw. Maintain a firm grip with both hands on the saw and position your body and arm to allow you to resist kickback if it occurs. ALWAYS TURN OFF TOOL AND REMOVE BATTERY BEFORE MAKING ANY ADJUSTMENTS!* Figure M shows proper sawing position. Note that hands are kept away from cutting area. **To avoid kickback, DO** support board or panel NEAR the cut (Fig. N). **DON'T** support board or panel away from the cut (Fig. O).

Place the work with its “good” side – the one on which appearance is most important – down. The saw cuts upward, so any splintering will be on the work face that is up when you cut it.

### Cutting (Fig. N)

Place the wider portion of the saw shoe on that part of the workpiece which is solidly supported, not on the section that will fall off when the cut is made. As an example, Figure N illustrates the RIGHT way to cut off the end of a board. Always clamp work. Don't try to hold short pieces by hand! Remember to support cantilevered and overhanging material. Use caution when sawing material from below.

Be sure saw is up to full speed before blade contacts material to be cut. Starting saw with blade against material to be cut or pushed forward into kerf can result in kickback. Push the saw forward at a speed which allows the blade to cut without laboring.

Hardness and toughness can vary even in the same piece of material, and knotty or damp sections can put a heavy load on the saw. When this happens, push the saw more slowly, but hard enough to keep working without much decrease in speed. Forcing the saw can cause rough cuts, inaccuracy, kickback, and over-heating of the motor.

Should your cut begin to go off the line, don't try to force it back on. Release the trigger switch and allow blade to come to a complete stop. Then you can withdraw the saw, sight anew, and start a new cut slightly inside the wrong one. Withdraw the saw if you must shift the cut. Forcing a correction inside the cut can stall the saw and lead to kickback.

**IF SAW STALLS, RELEASE THE TRIGGER SWITCH AND BACK THE SAW UNTIL IT IS LOOSE. BE SURE BLADE IS STRAIGHT IN THE CUT AND CLEAR OF THE CUTTING EDGE BEFORE RESTARTING.**

As you finish a cut, release the trigger switch and allow the blade to stop before lifting the saw from the work. As you lift the saw, the spring-tensioned lower blade guard will automatically close under the blade. Remember the blade is exposed until this occurs. Never reach under the work for any reason. When you have to retract the lower blade guard manually (as is necessary for starting pocket cuts), always use the retracting lever.

**▲ WARNING:** *When cutting thin strips, be careful to ensure that small cutoff pieces don't hang up on the inside of the lower blade guard.*

### Ripping (Fig. P)

Ripping is the process of cutting wider boards into narrower strips – cutting grain lengthwise. Hand guiding is more difficult for this type of sawing and the use of a DeWALT rip fence is recommended.

### Pocket Cutting (Fig. Q)

**▲ WARNING:** *Never tie the lower blade guard in a raised position. Never move the saw backwards when pocket cutting. This may cause the saw to raise up off the work surface, which could cause injury.*

A pocket cut is one that is made in a floor, wall or other flat surface.

1. Adjust the saw shoe so the blade cuts at desired depth.
2. Tilt the saw forward and rest front of the shoe on material to be cut.
3. Using the lower blade guard retracting lever, retract the lower blade guard to an upward position. Lower the rear of the shoe until the blade teeth almost touch the cutting line.
4. Release the lower blade guard (its contact with the work will keep it in position to open freely as you start the cut). Remove your hand from the lower blade guard retracting lever and firmly grip the auxiliary handle **12**, as shown in Figure Q. Position your body and arm to allow you to resist kickback if it occurs.
5. Make sure blade is not in contact with cutting surface before starting saw.
6. Start the motor and gradually lower the saw until its shoe rests flat on the material to be cut. Advance saw along the cutting line until cut is completed.
7. Release the trigger switch and allow the blade to stop completely before withdrawing the blade from the material.
8. When starting each new cut, repeat the above steps.

### Hang Hook (Fig. A)

**▲ WARNING:** *To reduce the risk of serious personal injury, do not use the tool's hang hook to hang the tool from your body. DO NOT use the hang hook for tethering or securing the tool to a person or object during use. DO NOT suspend tool overhead or suspend objects from the hang hook.*

**▲ WARNING:** *To reduce the risk of injury from the circular saw falling on operators or bystanders, make sure it is supported securely when using the hang hook, or resting in a secure and stable location when not in use. Be sure to keep the area below clear to reduce the risk of the tool or off-cut material falling and striking someone or something below.* The circular saw has a convenient hang hook **16** that allows it to hang on a suitable, stable structure between uses. The hang hook is not for tethering or securing the tool to a person or object during use when elevated.

### MAINTENANCE

**▲ WARNING:** *To reduce the risk of serious personal injury, turn unit off and remove the battery pack before making any adjustments or removing/installing attachments or accessories. An accidental start-up can cause injury.*

Your DeWALT power tool has been designed to operate over a long period of time with a minimum of maintenance. Continuous satisfactory operation depends upon proper tool care and regular cleaning.

### Cleaning

**▲ WARNING:** *Blow dirt and dust out of all air vents with clean, dry air at least once a week. To minimize the risk of eye*

## ENGLISH

*injury, always wear ANSI Z87.1 approved eye protection when performing this procedure.*

**▲ WARNING:** *Never use solvents or other harsh chemicals for cleaning the non-metallic parts of the tool. These chemicals may weaken the plastic materials used in these parts. Use a cloth dampened only with water and mild soap. Never let any liquid get inside the tool; never immerse any part of the tool into a liquid.*

### Accessories

**▲ WARNING:** *Since accessories, other than those offered by DeWALT, have not been tested with this product, use of such accessories with this tool could be hazardous. To reduce the risk of injury, only DeWALT recommended accessories should be used with this product.*

Recommended accessories for use with your tool are available at extra cost from your local dealer or authorized service center. If you need assistance in locating any accessory, please contact DeWALT Industrial Tool Co., 701 East Joppa Road, Towson, MD 21286, call 1-800-4-DeWALT (1-800-433-9258) or visit our website: [www.dewalt.com](http://www.dewalt.com).

### Repairs

The charger and battery pack are not serviceable.

**▲ WARNING:** *To assure product SAFETY and RELIABILITY, repairs, maintenance and adjustment (including brush inspection and replacement, when applicable) should be performed by a DeWALT factory service center or a DeWALT authorized service center. Always use identical replacement parts.*

### Register Online

Thank you for your purchase. Register your product now for:

- **WARRANTY SERVICE:** Registering your product will help you obtain more efficient warranty service in case there is a problem with your product.
- **CONFIRMATION OF OWNERSHIP:** In case of an insurance loss, such as fire, flood or theft, your registration of ownership will serve as your proof of purchase.
- **FOR YOUR SAFETY:** Registering your product will allow us to contact you in the unlikely event a safety notification is required under the Federal Consumer Safety Act.
- Register online at [www.dewalt.com](http://www.dewalt.com).

### Three-Year Limited Warranty

For warranty terms, go to <https://www.dewalt.com/support/warranty>.

To request a written copy of the warranty terms, contact: Customer Service at DeWALT Industrial Tool Co., 701 East Joppa Road, Towson, MD 21286 or call **1-800-4-DeWALT (1-800-433-9258)**.

**LATIN AMERICA:** This warranty does not apply to products sold in Latin America. For products sold in Latin America, see country-specific warranty information contained in the packaging, call the local company or see website for warranty information.

**FREE WARNING LABEL REPLACEMENT:** If your warning labels become illegible or are missing, call **1-800-4-DeWALT (1-800-433-9258)** for a free replacement.

## Usage prévu

Cette scie circulaire industrielle a été conçue pour la découpe professionnelle du bois. Ne découper aucun matériau en métal, plastique, béton, maçonnerie ou fibrociment.

**NE PAS** les utiliser en milieu ambiant humide ou en présence de liquides ou de gaz inflammables.

**NE PAS** le laisser à la portée des enfants. Une supervision est nécessaire auprès de tout utilisateur non expérimenté.

## AVERTISSEMENTS GÉNÉRAUX SUR LA SÉCURITÉ DES OUTILS

**▲ AVERTISSEMENT : lisez tous les avertissements de sécurité, toutes les instructions, les illustrations et les caractéristiques fournis avec cet outil électrique. Ne pas suivre toutes les instructions comprises aux présentes peut conduire à un choc électrique, un incendie et/ou des blessures graves.**

### CONSERVER TOUS LES AVERTISSEMENTS ET TOUTES LES DIRECTIVES POUR UN USAGE ULTÉRIEUR

Le terme « outil électrique » cité dans les avertissements se rapporte à votre outil électrique à alimentation sur secteur (avec fil) ou par piles (sans fil).

#### 1) Sécurité du lieu de travail

a) **Tenir l'aire de travail propre et bien éclairée.** Les lieux encombrés ou sombres sont propices aux accidents.

b) **Ne pas faire fonctionner d'outils électriques dans un milieu déflagrant, tel qu'en présence de liquides, de gaz ou de poussières inflammables.** Les outils électriques produisent des étincelles qui pourraient enflammer la poussière ou les vapeurs.

c) **Éloigner les enfants et les personnes à proximité pendant l'utilisation d'un outil électrique.** Une distraction pourrait en faire perdre la maîtrise à l'utilisateur.

#### 2) Sécurité en matière d'électricité

a) **Les fiches des outils électriques doivent correspondre à la prise. Ne jamais modifier la fiche d'aucune façon. Ne jamais utiliser de fiche d'adaptation avec un outil électrique mis à la terre.** Le risque de choc électrique sera réduit par l'utilisation de fiches non modifiées correspondant à la prise.

b) **Éviter tout contact physique avec des surfaces mises à la terre comme des tuyaux, des radiateurs, des cuisinières et des réfrigérateurs.** Le risque de choc électrique est plus élevé si votre corps est mis à la terre.

c) **Ne pas exposer les outils électriques à la pluie ou à l'humidité.** La pénétration de l'eau dans un outil électrique augmente le risque de choc électrique.

d) **Ne pas utiliser le cordon de façon abusive. Ne jamais utiliser le cordon pour transporter, tirer ou débrancher un outil électrique. Tenir le cordon éloigné de la chaleur, de l'huile, des bords tranchants et des pièces mobiles.** Les cordons endommagés ou enchevêtrés augmentent les risques de choc électrique.

e) **Pour l'utilisation d'un outil électrique à l'extérieur, se servir d'une rallonge convenant à cette application.** L'utilisation d'une rallonge conçue pour l'extérieur réduira les risques de choc électrique.

f) **S'il est impossible d'éviter l'utilisation d'un outil électrique dans un endroit humide, brancher l'outil dans une prise ou sur un circuit d'alimentation dotés d'un disjoncteur de fuite à la terre (GFCI).** L'utilisation de ce type de disjoncteur réduit les risques de choc électrique.

#### 3) Sécurité personnelle

a) **Être vigilant, surveiller le travail effectué et faire preuve de jugement lorsqu'un outil électrique est utilisé. Ne pas utiliser d'outil électrique en cas de fatigue ou sous l'influence de drogues, d'alcool ou de médicaments.** Un simple moment d'inattention en utilisant un outil électrique peut entraîner des blessures corporelles graves.

b) **Utiliser des équipements de protection individuelle. Toujours porter une protection oculaire.** L'utilisation d'équipements de protection comme un masque antipoussière, des chaussures antidérapantes, un casque de sécurité ou des protecteurs auditifs lorsque la situation le requiert réduira les risques de blessures corporelles.

c) **Empêcher les démarrages intempestifs. S'assurer que l'interrupteur se trouve à la position d'arrêt avant de relier l'outil à une source d'alimentation et/ou d'insérer un bloc-piles, de ramasser ou de transporter l'outil.** Transporter un outil électrique alors que le doigt repose sur l'interrupteur ou brancher un outil électrique dont l'interrupteur est à la position de marche risque de provoquer un accident.

d) **Retirer toute clé de réglage ou clé avant de démarrer l'outil.** Une clé ou une clé de réglage attachée à une partie pivotante de l'outil électrique peut provoquer des blessures corporelles.

e) **Ne pas trop tendre les bras. Conserver son équilibre en tout temps.** Cela permet de mieux maîtriser l'outil électrique dans les situations imprévues.

f) **S'habiller de manière appropriée. Ne pas porter de vêtements amples ni de bijoux. Garder les cheveux, les vêtements et les gants à l'écart des pièces mobiles.** Les vêtements amples, les bijoux ou les cheveux longs risquent de rester coincés dans les pièces mobiles.

g) **Si des composants sont fournis pour le raccordement de dispositifs de dépeussierage et de ramassage, s'assurer que ceux-ci sont bien raccordés et utilisés.** L'utilisation d'un dispositif de dépeussierage peut réduire les dangers engendrés par les poussières.

h) **Ne pas laisser votre connaissance acquise suite l'utilisation fréquente des outils vous permettre de baisser la garde et ignorer les principes de sécurité de l'outil.** Un acte irréfléchi peut causer une blessure grave en une fraction de seconde.

#### 4) Utilisation et entretien d'un outil électrique

a) **Ne pas forcer un outil électrique. Utiliser l'outil électrique approprié à l'application.** L'outil électrique approprié effectuera un meilleur travail, de façon plus sûre et à la vitesse pour laquelle il a été conçu.

b) **Ne pas utiliser un outil électrique dont l'interrupteur est défectueux.** Tout outil électrique dont l'interrupteur est défectueux est dangereux et doit être réparé.

c) **Débranchez la fiche de la prise électrique et, si amovible, retirez le bloc-piles de l'outil avant d'effectuer tout ajustement, changement et entreposage de celui-**

## FRANÇAIS

ci. Ces mesures préventives réduisent les risques de démarrage accidentel de l'outil électrique.

d) **Ranger les outils électriques hors de la portée des enfants et ne permettre à aucune personne n'étant pas familière avec un outil électrique ou son mode d'emploi d'utiliser cet outil.** Les outils électriques deviennent dangereux entre les mains d'utilisateurs inexpérimentés.

e) **Gardez les poignées et surfaces d'emprise propres et libres de tout produit lubrifiant. Vérifier si les pièces mobiles sont mal alignées ou coincées, si des pièces sont brisées ou présentent toute autre condition susceptible de nuire au bon fonctionnement de l'outil électrique. En cas de dommage, faire réparer l'outil électrique avant toute nouvelle utilisation.** Beaucoup d'accidents sont causés par des outils électriques mal entretenus.

f) **S'assurer que les outils de coupe sont aiguisés et propres.** Les outils de coupe bien entretenus et affûtés sont moins susceptibles de se coincer et sont plus faciles à maîtriser.

g) **Utiliser l'outil électrique, les accessoires, les forêts, etc. conformément aux présentes directives en tenant compte des conditions de travail et du travail à effectuer.** L'utilisation d'un outil électrique pour toute opération autre que celle pour laquelle il a été conçu est dangereuse.

h) **Garder vos mains et les surfaces de prise sèches, propres et libres de graisse et de poussière.** Les mains et les surfaces de prise glissante ne permettent pas la manutention et le contrôle sécuritaires de l'outil dans les situations imprévues.

### 5) Utilisation et entretien du bloc-piles

a) **Ne recharger l'outil qu'au moyen du chargeur précisé par le fabricant.** L'utilisation d'un chargeur qui convient à un type de bloc-piles risque de provoquer un incendie s'il est utilisé avec un autre type de bloc-piles.

b) **Utiliser les outils électriques uniquement avec les blocs-piles conçus à cet effet.** L'utilisation de tout autre bloc-piles risque de causer des blessures ou un incendie.

c) **Lorsque le bloc-piles n'est pas utilisé, le tenir éloigné des objets métalliques, notamment des trombones, de la monnaie, des clés, des clous, des vis ou autres petits objets métalliques qui peuvent établir une connexion entre les deux bornes.** Le court-circuit des bornes du bloc-piles risque de provoquer des brûlures ou un incendie.

d) **En cas d'utilisation abusive, le liquide peut gicler hors du bloc-piles; éviter tout contact avec ce liquide. Si un contact accidentel se produit, laver à grande eau.**

**Si le liquide entre en contact avec les yeux, obtenir également des soins médicaux.** Le liquide qui gicle hors du bloc-piles peut provoquer des irritations ou des brûlures.

e) **Ne pas utiliser de bloc-piles ou outil qui a été endommagé ou modifié.** Les unités endommagées ou modifiées peuvent avoir une réaction imprévisible résultant en un incendie, une explosion ou un potentiel de blessure.

f) **Ne pas exposer de bloc-piles ou l'outil aux flammes ou à des températures excessives.** L'exposition aux flammes ou à une température au-dessus de 130 °C (265 °F) pourrait causer une explosion.

g) **Suivre toutes les instructions de recharge et ne recharger pas le bloc-piles ou l'outil à des températures hors de la plage de température indiquée dans les instructions.** Une recharge non conforme ou à une température hors des limites spécifiées peut endommager les piles et augmenter le risque d'incendie.

### 6) Réparation

a) **Faire réparer l'outil électrique par un réparateur professionnel en n'utilisant que des pièces de rechange identiques.** Cela permettra de maintenir une utilisation sécuritaire de l'outil électriques.

b) **Ne jamais réparer des blocs-piles endommagés.** La réparation de blocs-piles doit seulement être effectuée par le fabricant ou les fournisseurs de service autorisés.

### Consignes de sécurité propres à toutes les scies

a) **▲DANGER : éloigner les mains des zones et organes de coupe. Maintenir la deuxième main sur la poignée auxiliaire ou le boîtier du moteur.** Lorsque les deux mains maintiennent la scie, la lame ne peut les couper.

b) **N'essayez pas de tenir le dessous de l'ouvrage.** Le protège-lame ne peut pas vous protéger de la lame en dessous de l'ouvrage.

c) **Ajustez la profondeur de coupe à l'épaisseur de l'ouvrage.** Moins d'une dent entière de lame devrait être visible en dessous de l'ouvrage.

d) **Ne jamais tenir la pièce à travailler dans vos mains entre vos jambes pendant que vous coupez. Fixez votre ouvrage sur une plateforme stable.** Il est important de soutenir correctement l'ouvrage afin de minimiser l'exposition du corps à la lame, le risque de coincement de la lame ou la perte de contrôle de l'outil.

e) **Tenez l'outil électrique uniquement par les parties isolées prévues à cet effet pendant toute utilisation où l'organe de coupe pourrait entrer en contact avec des fils électriques ou son propre cordon d'alimentation.** Tout contact avec un fil « sous tension » risque de mettre « sous tension » les pièces métalliques exposées de l'outil et de causer une décharge électrique à l'opérateur.

f) **Pendant les coupes de refente, utilisez toujours un guide de refente ou un guide à bord droit.** Ceci augmente toujours l'exactitude de la coupe et diminue la possibilité de coincement de la lame.

g) **Utilisez toujours des lames dont l'alésage central est de la taille et de la forme appropriées (soit en forme de diamant, soit en forme de rond).** Les lames qui ne correspondent pas aux pièces de montage de la scie tourneront de façon excentrique, ce qui causera une perte de contrôle de l'outil.

h) **Ne vous servez jamais de rondelles ou de boulons de lames qui sont endommagés ou inappropriés.** Les rondelles et le boulon de lame ont été conçus spécifiquement pour votre scie dans le but d'assurer une performance optimale et un fonctionnement sans danger.

### Consignes additionnelles de sécurité propres à toutes les scies

#### Causes de rebonds et avertissements afférents

– Le rebond est une réaction subite (causée par une lame de scie pincée, coincée ou mal alignée) qui peut entraîner le soulèvement d'une scie non contrôlée, sa sortie de l'ouvrage et sa projection en direction de l'utilisateur.

– Si la lame est pincée ou coincée fortement pendant l'abaissement de la scie, la lame se cale et le moteur réagit en entraînant rapidement l'outil vers l'arrière dans la direction de l'opérateur.

– Si la lame se tord ou perd son alignement correct au cours de la coupe, les dents sur le bord arrière de la lame peuvent entamer la surface supérieure du bois, forçant ainsi la lame à sortir du trait de scie et à « sauter » vers l'arrière en direction de l'opérateur.

Le rebond est la conséquence d'une mauvaise utilisation de la scie et/ou de procédures ou de conditions incorrectes, et il peut être évité en prenant les précautions qui sont décrites ci-dessous :

a) **Maintenez fermement la scie avec vos deux mains et positionnez vos bras de façon à résister aux forces de rebond.** Les forces de rebond peuvent être contrôlées par l'utilisateur quand les précautions appropriées sont prises.

b) **En cas de coincement de la lame ou d'interruption d'une coupe pour une raison quelconque, relâchez la gâchette et tenez la scie immobile dans l'ouvrage jusqu'à ce que la lame se soit immobilisée complètement. Ne tentez jamais de retirer la scie de l'ouvrage ou de la tirer vers l'arrière pendant que la lame est en mouvement, car un rebond risquerait de se produire.** Évaluez la situation et prenez les mesures correctives nécessaires pour éliminer la cause du coincement de la lame.

c) **Lorsque vous remettez une scie en marche quand l'ouvrage est présent, centrez la lame de scie dans le trait de scie et vérifiez que les dents de la lame ne sont pas engagées dans le matériau de l'ouvrage.** Si la lame de scie se coince, elle peut grimper hors de l'ouvrage ou rebondir sur celui-ci quand la scie est remise en marche.

d) **Soutenez les panneaux de grande taille de façon à minimiser le risque de pincement et de rebond de la lame.** Les panneaux de grande taille ont tendance à s'affaisser sous leur propre poids. Des supports doivent être placés des deux côtés sous le panneau, à proximité de la ligne de coupe et à proximité du rebord du panneau.

e) **N'utilisez pas de lame émoussée ou endommagée.** Des lames non aiguisées ou mal installées produisent un trait de scie étroit qui cause une friction excessive, le coincement de la lame et un effet de rebond.

f) **Les leviers de réglage de la profondeur et de l'angle de coupe de la lame doivent être bien serrés et assujettis avant de réaliser une coupe.** Une modification du réglage de la lame pendant la coupe risque d'entraîner un coincement et un rebondissement de la lame.

g) **Prendre des précautions supplémentaires lors de coupes dans des murs existants ou dans toute zone à visibilité réduite.** La lame saillante peut couper des objets, et ceci peut entraîner un rebond.

### Directives de sécurité propres au fonctionnement du carter inférieur

a) **Inspectez le protège-lame inférieur avant chaque utilisation pour vous assurer qu'il se ferme correctement. Ne faites pas fonctionner la scie si le protège-lame inférieur ne se déplace pas librement et ne se ferme pas instantanément. Ne forcez jamais le protège-lame inférieur dans la position ouverte à l'aide d'un collier de serrage ou d'une attache. Il est possible que le protège-lame inférieur se torde en cas de chute accidentelle de la scie.** Soulevez le protège-lame inférieur à

l'aide de la poignée rétractable et assurez-vous qu'il se déplace sans problème et qu'il ne touche pas la lame ou une autre pièce, quel que soit l'angle ou la profondeur de la coupe.

b) **Vérifiez le fonctionnement du ressort du protège-lame inférieur. Si le protège-lame inférieur et le ressort ne fonctionnent pas correctement, ils doivent être réparés avant l'emploi.** Le protège-lame inférieur peut parfois mal fonctionner à cause de pièces endommagées, d'accumulation de résine ou de débris.

c) **Le protège-lame inférieur doit être rétracté à la main uniquement à l'occasion de coupes spéciales telles que les « coupes en plongée » ou les « coupes composées ».** Soulevez le protège-lame inférieur à l'aide la poignée rétractable et relâchez-le dès que la lame pénètre dans le matériau de l'ouvrage. Pour toute autre opération de sciage, le protège-lame inférieur doit fonctionner automatiquement.

d) **Vérifiez toujours que le protège-lame inférieur couvre la lame avant de placer la scie sur un banc ou sur le sol. Une lame non protégée qui tourne librement entraînera le mouvement de la scie en marche arrière, ce qui provoquera la coupe de tout ce qui se trouve sur sa trajectoire.** Soyez conscient du temps nécessaire à la lame pour s'arrêter une fois que la gâchette est relâchée.

### Consigne de sécurité supplémentaire

▲ **AVERTISSEMENT** : ne jamais modifier l'outil électrique ni aucun de ses composants, car il y a des risques de dommages corporels ou matériels.

▲ **AVERTISSEMENT** : porter **SYSTEMATIQUEMENT** des lunettes de protection. Les lunettes courantes NE sont PAS des lunettes de protection. Utiliser aussi un masque antipoussières si la découpe doit en produire beaucoup. **PORTER SYSTEMATIQUEMENT UN ÉQUIPEMENT DE SÉCURITÉ HOMOLOGUÉ** :

- Protection oculaire ANSI Z87.1 (CAN/CSA Z94.3) ;
- Protection auditive ANSI S12.6 (S3.19) ;
- Protection des voies respiratoires NIOSH/OSHA/MSHA.

▲ **AVERTISSEMENT** : les scies, meules, ponceuses, perceuses ou autres outils de construction peuvent produire des poussières contenant des produits chimiques reconnus par l'État californien pour causer cancers, malformations congénitales ou être nocifs au système reproducteur. Parmi ces produits chimiques, on retrouve :

- Le plomb dans les peintures à base de plomb ;
- La silice cristallisée dans les briques et le ciment, ou autres produits de maçonnerie ; et
- L'arsenic et le chrome dans le bois ayant subi un traitement chimique.

Le risque associé à de telles expositions varie selon la fréquence à laquelle on effectue ces travaux. Pour réduire toute exposition à ces produits : travailler dans un endroit bien aéré, en utilisant du matériel de sécurité homologué, tel un masque antipoussières spécialement conçu pour filtrer les particules microscopiques.

• **Limiter toute exposition prolongée avec les poussières provenant du ponçage, sciage, meulage, perçage ou toute autre activité de construction. Porter des vêtements de protection et nettoyer à l'eau savonneuse les parties du corps exposés.** Le fait de laisser la poussière pénétrer dans la bouche, les yeux ou la peau peut favoriser l'absorption de produits chimiques dangereux.

▲ **AVERTISSEMENT** : cet outil peut produire et/ou répandre de la poussière susceptible de causer des dommages

## FRANÇAIS





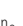








sérieux et permanents au système respiratoire. Utiliser systématiquement un appareil de protection des voies respiratoires homologué par le NIOSH ou l'OSHA. Diriger les particules dans le sens opposé au visage et au corps.

**▲ AVERTISSEMENT :** pendant l'utilisation, porter systématiquement une protection auditive individuelle adéquate homologuée ANSI S12.6 (S3.19). Sous certaines conditions et suivant la durée d'utilisation, le bruit émanant de ce produit pourrait contribuer à une perte de l'acuité auditive.

**▲ ATTENTION :** après utilisation, ranger l'outil sur son côté, sur une surface stable, là où il ne pourra ni faire trébucher ni faire chuter quelqu'un. Certains outils équipés d'un large bloc-piles peuvent tenir à la verticale sur celui-ci, mais manquent alors de stabilité.

• **Prendre des précautions à proximité des événements, car ils cachent des pièces mobiles.** Vêtements amples, bijoux ou cheveux longs risquent de rester coincés dans ces pièces mobiles.

L'étiquette apposée sur votre outil peut inclure les symboles suivants. Les symboles et leur définition sont indiqués ci-après :

V..... volts	 ou CA..... courant alternatif
Hz..... hertz	 ou CA/CC... courant alternatif ou continu
min..... minutes	 ..... fabrication classe II (double isolation)
 ou CC..... courant continu	 ..... vitesse à vide
 ..... fabrication classe I (mis à la terre)	$n_0$ ..... vitesse nominale
.../min..... par minute	 ..... borne de terre
BPM..... battements par minute	 ..... symbole d'avertissement
IPM..... impacts par minute	 ..... radiation visible
RPM..... révolutions par minute	 ..... protection respiratoire
sfpm..... pieds linéaires par minute (plpm)	 ..... protection oculaire
SPM (FPM)..... fréquence par minute	 ..... protection auditive
A..... ampères	 ..... lire toute la documentation
W..... watts	

## ASSEMBLAGE ET AJUSTEMENTS

**▲ AVERTISSEMENT :** pour réduire le risque de blessures graves, éteindre l'outil et retirer le bloc-piles avant d'effectuer tout réglage et d'enlever ou d'installer tout accessoire. Un démarrage accidentel peut provoquer des blessures.

**▲ AVERTISSEMENT :** pour réduire tout risque de dommages corporels graves, porter systématiquement une protection oculaire homologuée ANSI.

### Assembler l'orifice de poussière (Fig. B, C) (accessoire optionnel)

1. Desserrez entièrement le levier d'ajustement de la profondeur (4), Fig. B).
2. Alignez la partie arrière de la buse de dépeussierage 19 sur le carter supérieur de lame 20, comme illustré. Assurez-vous de bien insérer la languette 21 dans l'encoche intégrée sur l'outil comme illustré en Figure C. Si installée correctement, elle devrait s'enclencher à fond sur l'index de profondeur de coupe originel.
3. Alignez la buse de dépeussierage 22 sur la partie arrière de la buse de dépeussierage 19.

4. Insérez les deux vis de la buse de dépeussierage 23 comme illustré puis resserrez soigneusement.

## UTILISATION

**▲ AVERTISSEMENT :** pour réduire le risque de blessures graves, éteindre l'outil et retirer le bloc-piles avant d'effectuer tout réglage et d'enlever ou d'installer tout accessoire. Un démarrage accidentel peut provoquer des blessures.

### Installation et retrait du bloc-piles (Fig. D)

**REMARQUE :** pour des résultats optimaux, s'assurer que le bloc-piles est complètement chargé.

Pour installer le bloc-piles 3 dans la poignée de l'outil, alignez le bloc-piles sur les rails dans la poignée de l'outil et faites-le glisser fermement en place puis vérifiez qu'il ne s'en détachera pas.

Pour retirer le bloc-piles de l'outil, poussez sur le bouton de libération 13 et tirez fermement le bloc-piles hors de la poignée de l'outil. Insérez-le dans son chargeur.

### Lampe de Travail (Fig. A)

**▲ ATTENTION :** ne pas regarder directement le faisceau de la lampe. Risque de lésions oculaires graves.

Une lampe de travail 15 est située juste sous le bouton de verrouillage de lame 11. La lampe de travail est activée lorsque la gâchette sera activée et elle s'éteindra automatiquement 20 secondes après la désactivation de la gâchette. Tant que la gâchette reste activée, la lampe de travail reste allumée.

**REMARQUE :** la lampe de travail permet d'éclairer la surface immédiate et n'est pas destinée à servir de lampe de poche.

### Gâchette (Fig. E)

**▲ AVERTISSEMENT :** l'outil ne possède aucun verrouillage de gâchette en position de marche et ne devrait en aucune manière être verrouillé en MARCHÉ.

Relâchez le bouton de verrouillage 11 de la gâchette en appuyant sur le bouton comme illustré. Appuyez sur la gâchette 2 pour mettre le moteur en marche. Dégager la gâchette pour arrêter le moteur.

### Remplacement des lames (Fig. F, G)

**▲ AVERTISSEMENT :** retirer le bloc-piles de l'outil avant de changer les lames.

#### Installation de la lame (Fig. F, G)

1. Rétractez le carter inférieur de lame 7 à l'aide du levier rétractant 6 de la lame inférieure et placez la lame sur la broche de la scie contre la rondelle de serrage interne, en vous assurant que la lame tournera dans le bon sens (le sens de la flèche de rotation sur la lame et les dents doit pointer dans la même direction que celle de la flèche de rotation sur le carter de lame inférieur). Ne pas assumer que le côté imprimé de la lame est toujours face à l'utilisateur lorsqu'elle est installée correctement. Lorsqu'on escamote le protège-lame inférieur en vue d'installer la lame, le vérifier afin de s'assurer qu'il est en bon état et qu'il fonctionne correctement, c'est-à-dire, qu'il se déplace librement et qu'il ne touche pas à la lame ni à toute autre pièce quelconque, quel que soit l'angle ou la profondeur de coupe.
2. Placer la rondelle de bride de serrage externe 17 sur la broche de scie, en s'assurant de placer la large surface plane contre la lame, et le côté biseauté vers l'extérieur.
3. Vissez manuellement la vis de serrage de lame 8 sur la broche de scie (la vis possède un filetage vers la droite et doit être tournée vers la droite pour être resserrée).



4. Appuyez sur le bouton de verrouillage de lame **11** tout en tournant la broche de la scie avec la clé pour lame **14** jusqu'à ce que le verrouillage de lame s'enclenche et que la lame cesse de tourner (Fig. G).

5. Serrer fermement la vis de fixation au moyen de la clé de réglage.

**REMARQUE** : ne jamais engager le bouton de verrouillage de la lame lorsque la scie est en marche pour tenter d'arrêter l'outil. Ne jamais mettre l'outil en marche lorsque le bouton de verrouillage est engagé afin d'éviter d'endommager gravement la scie.

### Remplacement de la Lame (Fig. F, G)

1. Pour desserrer la vis de serrage de lame **8**, appuyez sur le bouton de verrouillage de lame **11** et tournez la broche de la scie avec la clé pour lame **14** jusqu'à ce que le verrouillage de lame s'enclenche et que la lame cesse de tourner. Alors que le verrouillage de lame est activé, tournez la vis de serrage de lame vers la gauche avec la clé pour lame (la vis a un filetage vers la droite et doit être tournée vers la gauche pour être desserrée).

2. Retirer la vis de fixation **8** et la rondelle de bride de serrage externe **17** seulement, puis enlever l'ancienne lame.

3. Enlever la sciure qui aurait pu s'accumuler dans le protège-lame ou autour de la rondelle et vérifier le protège-lame inférieur afin de s'assurer qu'il est en bon état et qu'il fonctionne correctement, tel que décrit précédemment. Ne pas lubrifier cette zone.

4. Choisir la lame qui convient à la tâche (voir la section **Lames** du présent guide). Toujours utiliser une lame de dimension (diamètre) appropriés munie d'un orifice de dimension et de forme appropriées en vue de leur installation sur la broche. Toujours s'assurer que la vitesse maximale recommandée (tr/min) indiquée sur la lame est égale ou supérieure à la vitesse (tr/min) de la scie.

5. Suivre les étapes de 2-5 décrites à la section **Installation de la lame** du présent guide, en s'assurant que la lame tourne dans le bon sens.

### Protège-lame inférieur

**▲ AVERTISSEMENT** : le protège-lame inférieur est un dispositif de sécurité destiné à réduire les risques de dommages corporels graves. Ne jamais utiliser la scie sans son protège-lame inférieur, ou s'il est endommagé, mal assemblé ou ne fonctionne pas correctement. Ne pas compter sur le protège-lame inférieur pour vous protéger en toute circonstance. Votre sécurité dépend autant du respect des avertissements et des précautions prises que de l'utilisation correcte de la scie. Vérifier que le protège-lame inférieur se referme correctement avant chaque utilisation comme décrit dans la section Consignes additionnelles de sécurité propres à toutes les scies. Si le protège-lame inférieur manque ou ne fonctionne pas correctement, faire vérifier la scie avant toute utilisation. Pour assurer votre sécurité et la fiabilité du produit, toutes les opérations de réparation, d'entretien et de réglage doivent être effectuées dans un centre de service autorisé ou par du personnel qualifié en utilisant systématiquement des pièces de rechange identiques.

### Lames

**▲ AVERTISSEMENT** : afin de réduire les risques de blessure aux yeux, toujours porter des lunettes de protection. Le carbure est un matériel dur, mais fragile, et les matières

étrangères présentes dans la pièce, comme les fils ou les clous, peuvent fendre ou briser les pointes. Ne jamais faire fonctionner l'outil lorsque le protège-lame n'est pas en place. S'assurer que la lame est installée et bien fixée et qu'elle tourne correctement avant d'utiliser l'outil. Toujours utiliser une lame propre et bien aiguisée.

**▲ AVERTISSEMENT** : ne découper aucun matériau en métal, plastique, béton, maçonnerie ou fibrociment avec cette scie.

Ne pas utiliser de meules ou de lames abrasives. Une lame émoussée ralentira la coupe et la rendra inefficace, surchargera le moteur, provoquera des éclats de matériau et augmentera les risques de rebonds. Veuillez vous reporter au tableau ci-après pour déterminer la taille correcte de la lame de rechange propre à votre modèle de scie.

### LES REMPLACER AU BESOIN

Montures combinées -	Orifice d'arbre de 5/8 po de dia.; 24 dents. Lame rapide tout usage pour coupes en long et transversales
Bois vert / traité sous pression -	Orifice d'arbre de 5/8 po de dia.; 20 dents. Enduit de protection contre l'accumulation de gomme durcie
Durabilité extrême -	Orifice d'arbre de 5/8 po de dia.; 18 dents. Carbure refroidie, à roche
Finis -	Orifice d'arbre de 5/8 po de dia.; 36 dents. Plus de dents pour un meilleur fini.
Montures pour coupes rapides -	Orifice d'arbre de 5/8 po de dia.; 18 dents. Lame rapide pour coupes en long et transversales

Pour obtenir plus d'information sur les lames, veuillez communiquer avec DeWALT au 1 800 433-9258 (1 800 4-DeWALT).

### Rebond

Le rebond est une réaction subite (causée par une lame de scie pincée, coincée ou mal alignée) qui peut entraîner le soulèvement d'une scie non contrôlée, sa sortie de l'ouvrage et sa projection en direction de l'utilisateur. Si la lame est pincée ou coincée fortement pendant l'abaissement de la scie, la lame se cale et le moteur réagit en entraînant rapidement l'outil vers l'arrière dans la direction de l'opérateur. Si la lame se tord ou perd son alignement correct au cours de la coupe, les dents sur le bord arrière de la lame peuvent entamer la surface supérieure du bois, forçant ainsi la lame à sortir du trait de scie et à « sauter » vers l'arrière en direction de l'opérateur.

Les situations suivantes présentent des risques de rebond.

#### 1. MAUVAIS SOUTIEN DE LA PIÈCE À DÉCOUPER

- L'affaissement ou le mauvais soutien de la pièce découpée peut causer le blocage de la lame.
- Le découpage d'un matériau seulement soutenu à l'extrémité externe (Fig. O) fait affaisser le matériau à mesure qu'il s'affaiblit, refermant ainsi la rainure et bloquant la lame.
- Le découpage d'une pièce en porte-à-faux ou en saillie à partir du bas vers le haut, à la verticale, provoque le blocage de la lame lorsque la pièce découpée tombe.

## FRANÇAIS

d. Le découpage de longues bandes étroites (coupes en refente) peut causer l'affaissement ou la torsion de la bande bloquant ainsi la rainure et coïncant la lame.

e. L'accrochage du protecteur inférieur sur la surface sous le matériau peut réduire momentanément la maîtrise de l'utilisateur sur l'outil. La scie peut alors sortir en partie de la pièce augmentant le risque de torsion de la lame.

### 2. RÉGLAGE INCORRECT DE LA PROFONDEUR DE COUPE

a. Pour effectuer une coupe optimale, la lame ne devrait pas dépasser de plus d'une demi-dent, comme illustré en Figure I. Cela permet au patin de soutenir la lame et de minimiser tout grippage ou pincage du matériau. Se reporter à la section intitulée *Réglage de la profondeur de coupe*.

### 3. TORSION DE LA LAME (COUPE MAL ALIGNÉE)

a. Le fait de pousser fort pour découper un noeud, un clou ou une section à grain dur peut provoquer la torsion de la lame.

b. Lorsqu'on essaie de faire dévier la scie pendant le découpage (pour revenir dans la ligne de coupe) peut également provoquer la torsion de la lame.

c. Le fait de s'étirer hors de sa portée ou de ne pas garder son équilibre peut causer la torsion de la lame.

d. Le changement de position des mains ou du corps pendant la coupe peut provoquer la torsion de la lame.

e. Le retrait de la scie pour dégager la lame peut faire tordre la lame.

### 4. MATÉRIAUX PRÉSENTANT DES RISQUES

a. Le bois qui est humide.

b. Le bois vert; qui est frais coupé ou qui n'est pas encore passé au séchoir.

c. Le bois qui est traité à la pression (traité avec des agents de conservation ou des produits chimiques contre la moisissure).

### 5. UTILISATION DE LAMES ÉMOUSSÉES OU SALES

a. Les lames émoussées augmentent la charge de la scie. Pour compenser, l'utilisateur pousse habituellement fort ce qui charge un peu plus la scie et occasionne la torsion de la lame dans la rainure. Les lames usées n'ont pas suffisamment de jeu ce qui augmente les risques de pliage et de surcharge.

### 6. RETRAIT DE LA SCIE PENDANT LES COUPES EN BISEAU

a. Les coupes en biseau doivent être faites en respectant un certain nombre de techniques, particulièrement le guidage de la scie. En effet, l'angle de la lame au patin et la grande surface de la lame sur le matériau augmentent les risques de pliage et de torsion.

### 7. REDÉMARRAGE D'UNE COUPE AVEC LES DENTS DE LA LAME COINCÉES DANS LE MATÉRIAU

a. Il faut attendre que la scie atteigne son plein régime avant de commencer à découper ou avant de remettre la scie en marche. Autrement, la scie peut caler ou rebondir.

Toute autre condition pouvant avoir comme résultat le pincement, le grippage, la torsion ou le mésalignement de la lame pourra causer des rebonds. Se reporter aux sections

*Consignes additionnelles de sécurité propres à toutes les scies* et *Lames* pour les procédures et techniques de minimisation des risques de rebonds.

## Réglage de la profondeur de coupe (Fig. A, H, I)

**REMARQUE :** la profondeur de coupe maximale de cette scie est de 65 mm (2-9/16 po) à 90°.

1. Maintenez la scie fermement et desserrez (vers la droite) le levier de réglage de profondeur **4** puis déplacez le patin (**5**, Fig. A) pour obtenir la profondeur de coupe désirée.

2. Assurez-vous que le levier de réglage de profondeur a bien été resserré (vers la gauche) avant de réutiliser la scie.

Pour une coupe optimale, réglez le réglage de profondeur de façon à ce qu'une demi-dent de lame dépasse sous le matériau à découper. Il s'agit de la distance entre la pointe de la dent de lames et le creux la précédant. Cela permet de minimiser la friction de lame, d'éliminer la sciure de la coupe, de maintenir la température de sciage basse et une vitesse de sciage rapide tout en réduisant les risques de rebonds. Une méthode de vérification de la profondeur de coupe correcte est illustrée en Figure I. Posez un morceau du matériau à découper sur le côté de la lame, comme illustré, et vérifiez la longueur de dent dépassant du matériau.

## Réglage de l'angle de biseau (Fig. A, J)

La plage complète des angles de biseau s'étend entre 0 et 57 degrés; le réglage s'effectue par échelons de 1 degré. À l'avant de la scie se trouve le mécanisme de réglage d'angle de biseau représenté par un cadran étalonné et un levier de réglage de biseau **10**.

### Pour effectuer le réglage de l'angle de biseau :

1. Desserrez (vers la gauche) le levier de réglage de biseau **10** et inclinez le patin (**5**, Fig. A) sur l'angle désiré en alignant l'index sur le repère d'angle voulu.

2. Resserrez le levier fermement (vers la droite).

## Réglage du patin pour les coupes de 90° (Fig. J, K)

### Si un réglage supplémentaire s'avère nécessaire, on doit :

1. Régler la scie à un angle de biseau de 0°;

2. Rétractez le protège-lame inférieur. Placez la scie sur le côté lame.

3. Desserrez le levier de réglage de biseau (**10**, Fig. J), puis placer une équerre contre la lame et le patin pour régler l'angle à 90°;

4. Tournez la vis de calibrage **18** de façon à ce que le patin s'arrête sur l'angle voulu.

5. Confirmer la précision du réglage en vérifiant la perpendicularité d'une coupe qu'on a effectuée sur un matériel de retaille.

## Indicateur de trait de scie (Fig. L)

La partie avant du patin est munie d'un indicateur de trait de scie **9** pour les coupes verticales et en biseau. Cet indicateur permet à l'opérateur de guider la scie le long des lignes de coupe tracées au crayon sur la pièce. L'indicateur de trait de scie s'aligne sur le côté gauche (interne) de la lame de scie, ce qui fait tomber la rainure ou « trait de scie » effectué par la lame en mouvement sur la droite de l'indicateur. Guidez la scie le long du tracé de coupe de façon à ce que le trait tombe du côté du surplus de matériau.

## Support de la pièce (Fig. M–O)

**▲ AVERTISSEMENT :** il est important de bien soutenir la pièce et de tenir fermement la scie afin d'éviter de perdre la

maîtrise de l'outil et de se blesser. La Figure M illustre la bonne façon de soutenir et de tenir la scie. Tenir fermement l'outil des deux mains et placer le corps et les bras de manière à pouvoir résister les effets du rebond, le cas échéant. **TOUJOURS METTRE L'OUTIL HORS TENSION ET RETIRER LE BLOC-PIÈCES AVANT D'EFFECTUER UN RÉGLAGE!**

La Figure M illustre la position de sciage appropriée. Les mains doivent être tenues éloignées de la zone de coupe.

**Pour éviter l'effet de rebond, TOUJOURS soutenir la planche ou le panneau PRÈS de la ligne de coupe (Fig. N), JAMAIS loin de celle-ci (Fig. O).**

Placer la pièce de manière à ce que le « bon » côté (celui dont l'apparence importe le plus) soit vers le bas; puisque la scie coupe vers le haut, le matériau produira des éclats dans cette direction.

### Coupage (Fig. N)

Placer la section la plus large du patin sur la section solidement soutenue du matériau, non sur celle qui se détachera. Par exemple, la Figure N illustre la façon CORRECTE de couper l'extrémité d'une planche. Toujours fixer la pièce. Ne jamais tenir les planches plus courtes avec les mains! Bien soutenir les pièces en saillie ou en porte-à-faux et prendre les précautions nécessaires lorsqu'on coupe un matériau sur le dessus.

S'assurer que la scie atteigne sa vitesse maximale avant de placer la lame sur le matériau, car on peut engendrer un rebond si on démarre la scie alors qu'elle touche le matériau ou si on la pousse dans une entaille. Faire avancer la scie à une vitesse qui permet à la lame de couper sans trop forcer.

La dureté et la résilience d'un matériau peuvent varier d'une section à l'autre; les sections noueuses ou humides peuvent aussi surcharger l'outil. Lorsque cela se produit, pousser la scie plus lentement en s'assurant d'exercer assez de pression pour continuer à travailler sans trop réduire la vitesse. Si on force l'outil, on risque d'obtenir des coupes rugueuses ou inexactes, de causer des rebonds ou de faire surchauffer le moteur.

Si la coupe sort de son alignement, n'essayez pas de forcer l'outil pour le réaligner. Relâchez la gâchette et attendez l'arrêt complet de la lame, puis soulevez la scie, réalignez-la et recommencez à couper partiellement dans la mauvaise coupe. Sortez la scie du trait pour changer la direction de coupe. Le fait de vouloir corriger la direction de coupe dans le trait de scie lui-même pourra faire caler la scie et entraîner des rebonds.

**SI LA SCIE VENAIT À CALER, RELÂCHEZ LA GÂCHETTE PUIS FAITES RECULER LA SCIE POUR LA DÉGAGER. ASSUREZ-VOUS QUE LA LAME EST ALIGNÉE SUR LA COUPE ET AU-DELÀ DU BORD DE COUPE AVANT DE REMETTRE LA SCIE EN MARCHÉ.**

En fin de coupe, relâchez la gâchette et laissez la lame s'arrêter complètement avant de soulever la scie du travail. Lorsque vous soulevez la scie, le protège-lame inférieur à ressort se refermera automatiquement sur la lame. Rappelez-vous que tant que ceci n'est pas fait, la lame est à nu, aussi ne passez jamais les doigts sous le matériau pour quelque raison que ce soit. Si vous devez rétracter manuellement le protège-lame inférieur (comme pour commencer des coupes internes par exemple), utilisez systématiquement le levier rétractant.

**▲ AVERTISSEMENT :** pour découper des bandes, s'assurer que des petits rebuts ne s'accrochent pas sur l'intérieur du protège-lame inférieur.

### Coupes en long (Fig. P)

Une coupe en long consiste à couper de larges panneaux en bandes plus étroites (couper dans le sens du grain). Il est plus difficile de guider manuellement ce genre de coupe, et l'utilisation d'un guide longitudinal DeWALT, est recommandée.

### Coupe effectuée à partir de l'intérieur d'un matériau (Fig. Q)

**▲ AVERTISSEMENT :** ne jamais bloquer le protège-lame inférieur en position haute. Ne jamais déplacer la scie vers l'arrière pendant une coupe interne. Cela pourrait faire sortir la scie de la surface de travail et poser des risques de dommages corporels.

On effectue une coupe interne dans un plancher, un mur ou toute autre surface plane.

1. Régler le patin afin d'obtenir la profondeur de coupe voulue.
2. Pencher la scie vers l'avant et appuyer le devant du patin sur le matériau à couper.
3. À l'aide du levier rétractant du protège-lame inférieur, rétractez le protège-lame inférieur vers le haut. Abaissez l'arrière du patin jusqu'à ce que les dents de scie touchent légèrement la ligne de coupe.
4. Relâchez le protège-lame inférieur (son contact avec la pièce le maintiendra en position ouverte alors que vous commencerez la coupe). Retirez la main du levier rétractant du protège-lame inférieur et agrippez fermement la poignée auxiliaire **12**, comme illustré en Figure Q. Positionnez corps et bras de façon à pouvoir résister à tout rebond possible.
5. S'assurer que la lame n'est pas en contact avec la surface de coupe avant de démarrer le moteur.
6. Démarrer le moteur et baisser graduellement la scie jusqu'à ce que le patin repose à plat sur la surface. Faire avancer la scie le long de la ligne de coupe jusqu'à ce que cette dernière soit terminée.
7. Relâchez la gâchette et laissez la lame s'arrêter complètement avant de retirer la lame du matériau.
8. Pour commencer toute nouvelle coupe, répétez la procédure ci-dessus.

### Crochet de suspension (Fig. A)

**▲ AVERTISSEMENT :** afin de réduire de blessure corporelle grave, ne pas utiliser le crochet de suspension de l'outil pour suspendre l'outil à partir de votre corps. NE PAS utiliser le crochet de suspension pour attacher ou sécuriser l'outil à une personne ou un objet durant l'utilisation. NE PAS suspendre l'outil au plafond ou suspendre des objets à partir du crochet de suspension.

**▲ AVERTISSEMENT :** afin de réduire le risque de blessure due à la chute de la scie circulaire sur les utilisateurs ou les passants, assurez-vous qu'elle est soutenue de façon sécuritaire lorsque le crochet de suspension est utilisé ou repose dans un endroit sécuritaire et stable lorsqu'il n'est pas utilisé. Assurez-vous de maintenir la zone au-dessous dégagée afin de réduire le risque de chute de l'outil ou de matériel et que cela frappe quelqu'un ou quelque chose au-dessous.

La scie circulaire a un crochet de suspension pratique **16** qui permet de la suspendre sur une structure stable appropriée entre les utilisations. Le crochet de suspension n'est pas fait pour attacher ou sécuriser l'outil à une personne ou un objet durant l'utilisation en position élevée.

## MAINTENANCE

**▲ AVERTISSEMENT :** pour réduire le risque de blessures graves, éteindre l'outil et retirer le bloc-piles avant d'effectuer tout réglage et d'enlever ou d'installer tout accessoire. Un démarrage accidentel peut provoquer des blessures.

Votre outil électrique DeWALT a été conçu pour fonctionner longtemps avec un minimum de maintenance. Le fonctionnement continu et satisfaisant de l'outil dépendra d'une maintenance adéquate et d'un nettoyage régulier.

### Nettoyage

**▲ AVERTISSEMENT :** enlever les saletés et la poussière hors des événements au moyen d'air comprimé propre et sec, au moins une fois par semaine. Pour minimiser le risque de blessure aux yeux, toujours porter une protection oculaire conforme à la norme ANSI Z87.1 lors du nettoyage.

**▲ AVERTISSEMENT :** ne jamais utiliser de solvants ni d'autres produits chimiques puissants pour nettoyer les pièces non métalliques de l'outil. Ces produits chimiques peuvent affaiblir les matériaux de plastique utilisés dans ces pièces. Utiliser un chiffon humecté uniquement d'eau et de savon doux. Ne jamais laisser de liquide pénétrer dans l'outil et n'immerger aucune partie de l'outil dans un liquide.

### Accessoires

**▲ AVERTISSEMENT :** puisque les accessoires autres que ceux offerts par DeWALT n'ont pas été testés avec ce produit, leur utilisation pourrait s'avérer dangereuse. Pour réduire le risque de blessures, utiliser exclusivement les accessoires DeWALT recommandés avec le présent produit.

Les accessoires recommandés pour cet outil sont vendus séparément au centre de service de votre région. Pour obtenir de l'aide concernant l'achat d'un accessoire, communiquer avec DeWALT Industrial Tool Co., 701 East Joppa Road, Towson, MD 21286 aux États-Unis; composer le 1 800 433-9258 (1 800 4-DeWALT) ou visiter notre site Web : [www.dewalt.com](http://www.dewalt.com).

### Réparations

Le chargeur et le bloc-piles ne sont pas réparables.

**▲ AVERTISSEMENT :** pour assurer la SÉCURITÉ et la FIABILITÉ du produit, les réparations, l'entretien et les réglages doivent être réalisés (cela comprend l'inspection et le remplacement du balai, le cas échéant) par un centre de réparation en usine DeWALT ou un centre de réparation agréé DeWALT. Toujours utiliser des pièces de rechange identiques.

### Enregistrez-vous en ligne

Nous vous remercions de votre achat. Enregistrez votre produit maintenant pour :

- **SERVICE DE GARANTIE :** l'enregistrement de votre produit en ligne vous aide à obtenir un service de garantie efficace au cas où vous auriez un problème avec votre produit.
- **CONFIRMATION DE PROPRIÉTÉ :** en cas de pertes liées aux assurances telles qu'un incendie, une inondation ou un vol, votre enregistrement de propriété servira de preuve de votre achat.
- **POUR VOTRE SÉCURITÉ :** l'enregistrement de votre produit nous permet de vous contacter dans le cas peu probable d'une notification de sécurité requise selon le Federal Consumer Safety Act.
- Inscrivez-vous en ligne sur [www.dewalt.com](http://www.dewalt.com).

## Garantie limitée de trois ans

Pour les conditions de la garantie, consultez le site <https://www.dewalt.com/support/warranty>.

Pour demander une copie écrite des conditions de la garantie, contactez : service à la clientèle chez DeWALT Industrial Tool Co., 701 East Joppa Road, Towson, MD 21286 ou appelez le **1-800-4-DeWALT (1-800-433-9258)**.

**AMÉRIQUE LATINE :** la présente garantie ne s'applique pas aux produits vendus en Amérique Latine. Pour les produits vendus en Amérique Latine, consultez les renseignements sur la garantie particulière au pays comprise dans l'emballage, appelez l'entreprise locale ou consultez le site Web pour les renseignements complets sur la garantie.

**REPLACEMENT DES ÉTIQUETTES D'AVERTISSEMENT GRATUIT :** si vos étiquettes d'avertissement deviennent illisibles ou sont manquantes, appelez au **1-800-4-DeWALT (1-800-433-9258)** pour un remplacement gratuit.

## Uso Debido

Esta sierra circular para trabajos pesados fue diseñada para aplicaciones de corte profesional de madera. No corte materiales de metal, plástico, concreto, mampostería o fibra de cemento.

**NO** utilice la herramienta en condiciones de humedad o en presencia de líquidos o gases inflamables.

**NO** permita que los niños toquen la herramienta. Si el operador no tiene experiencia operando esta herramienta, su uso deberá ser supervisado.

## ADVERTENCIAS GENERALES DE SEGURIDAD PARA HERRAMIENTAS ELÉCTRICAS

**▲ ADVERTENCIA:** Lea todas las advertencias de seguridad, instrucciones, ilustraciones y especificaciones incluidas con esta herramienta eléctrica. La falla en seguir todas las instrucciones siguientes puede resultar en descarga eléctrica, incendio y/o lesiones serias.

### CONSERVE TODAS LAS ADVERTENCIAS E INSTRUCCIONES PARA FUTURAS CONSULTAS

El término "herramienta eléctrica" incluido en las advertencias hace referencia a las herramientas eléctricas operadas con corriente (con cable eléctrico) o a las herramientas eléctricas operadas con baterías (inalámbricas).

#### 1) Seguridad en el Área de Trabajo

a) **Mantenga el área de trabajo limpia y bien iluminada.** Las áreas abarrotadas y oscuras propician accidentes.

b) **No opere las herramientas eléctricas en atmósferas explosivas, como ambientes donde haya polvo, gases o líquidos inflamables.** Las herramientas eléctricas originan chispas que pueden encender el polvo o los vapores.

c) **Mantenga alejados a los niños y a los espectadores de la herramienta eléctrica en funcionamiento.** Las distracciones pueden provocar la pérdida de control.

#### 2) Seguridad Eléctrica

a) **Los enchufes de la herramienta eléctrica deben adaptarse al tomacorriente. Nunca modifique el enchufe de ninguna manera. No utilice ningún enchufe adaptador con herramientas eléctricas con conexión a tierra.** Los enchufes no modificados y que se adaptan a los tomacorrientes reducirán el riesgo de descarga eléctrica.

b) **Evite el contacto corporal con superficies con descargas a tierra como, por ejemplo, tuberías, radiadores, cocinas eléctricas y refrigeradores.** Existe mayor riesgo de descarga eléctrica si su cuerpo está puesto a tierra.

c) **No exponga las herramientas eléctricas a la lluvia o a condiciones de humedad.** Si entra agua a una herramienta eléctrica, aumentará el riesgo de descarga eléctrica.

d) **No maltrate el cable. Nunca utilice el cable para transportar, tirar o desenchufar la herramienta eléctrica. Mantenga el cable alejado del calor, el aceite, los bordes filosos y las piezas móviles.** Los cables dañados o enredados aumentan el riesgo de descarga eléctrica.

e) **Al operar una herramienta eléctrica en el exterior, utilice un cable prolongador adecuado para tal uso.** Utilice un cable adecuado para uso en exteriores a fin de reducir el riesgo de descarga eléctrica.

f) **Si el uso de una herramienta eléctrica en un lugar húmedo es imposible de evitar, utilice un suministro**

**protegido con un interruptor de circuito por falla a tierra (GFCI).** El uso de un GFCI reduce el riesgo de descargas eléctricas.

#### 3) Seguridad Personal

a) **Permanezca alerta, controle lo que está haciendo y utilice el sentido común cuando emplee una herramienta eléctrica. No utilice una herramienta eléctrica si está cansado o bajo el efecto de drogas, alcohol o medicamentos.** Un momento de descuido mientras se opera una herramienta eléctrica puede provocar lesiones personales graves.

b) **Utilice equipos de protección personal. Siempre utilice protección para los ojos.** En las condiciones adecuadas, el uso de equipos de protección, como máscaras para polvo, calzado de seguridad antideslizante, cascos o protección auditiva, reducirá las lesiones personales.

c) **Evite el encendido por accidente. Asegúrese de que el interruptor esté en la posición de apagado antes de conectarlo a la fuente de energía o paquete de baterías, o antes de levantar o transportar la herramienta.** Transportar herramientas eléctricas con el dedo apoyado en el interruptor o enchufar herramientas eléctricas con el interruptor en la posición de encendido puede propiciar accidentes.

d) **Retire la clavija de ajuste o la llave de tuercas antes de encender la herramienta eléctrica.** Una llave de tuercas o una clavija de ajuste que quede conectada a una pieza giratoria de la herramienta eléctrica puede provocar lesiones personales.

e) **No se estire. Conserve el equilibrio y párese adecuadamente en todo momento.** Esto permite un mejor control de la herramienta eléctrica en situaciones inesperadas.

f) **Use la vestimenta adecuada. No use ropas holgadas ni joyas. Mantenga el cabello, la ropa y los guantes alejados de las piezas en movimiento.** Las ropas holgadas, las joyas o el cabello largo pueden quedar atrapados en las piezas en movimiento.

g) **Si se suministran dispositivos para la conexión de accesorios con fines de recolección y extracción de polvo, asegúrese de que estén conectados y que se utilicen correctamente.** El uso de dispositivos de recolección de polvo puede reducir los peligros relacionados con el polvo.

h) **No permita que la familiaridad obtenida a partir del uso frecuente de herramientas le permitan volverse descuidado e ignorar los principios de seguridad de la herramienta.** Una acción descuidada puede causar lesiones severas en una fracción de segundo.

#### 4) Uso y Mantenimiento de la Herramienta Eléctrica

a) **No fuerce la herramienta eléctrica. Utilice la herramienta eléctrica correcta para el trabajo que realizará.** Si se la utiliza a la velocidad para la que fue diseñada, la herramienta eléctrica correcta permite trabajar mejor y de manera más segura.

b) **No utilice la herramienta eléctrica si no puede encenderla o apagarla con el interruptor.** Toda herramienta eléctrica que no pueda ser controlada mediante el interruptor es peligrosa y debe repararse.

c) **Desconecte el enchufe de la fuente de alimentación y/o retire la batería, o paquete si es desmontable, de la herramienta eléctrica antes de realizar cualquier ajuste, cambiar accesorios o almacenar herramientas eléctricas.** Estas medidas de seguridad preventivas

reducen el riesgo de encender la herramienta eléctrica en forma accidental.

d) **Guarde la herramienta eléctrica que no esté en uso fuera del alcance de los niños y no permita que otras personas no familiarizadas con ella o con estas instrucciones operen la herramienta.** Las herramientas eléctricas son peligrosas si son operadas por usuarios no capacitados.

e) **Dé mantenimiento a las herramientas eléctricas y accesorios. Revise que no haya piezas en movimiento mal alineadas o trabadas, piezas rotas o cualquier otra situación que pueda afectar el funcionamiento de la herramienta eléctrica. Si encuentra daños, haga reparar la herramienta eléctrica antes de utilizarla.** Se producen muchos accidentes a causa de las herramientas eléctricas que carecen de un mantenimiento adecuado.

f) **Mantenga las herramientas de corte afiladas y limpias.** Las herramientas de corte con mantenimiento adecuado y con los bordes de corte afilados son menos propensas a trabarse y son más fáciles de controlar.

g) **Utilice la herramienta eléctrica, los accesorios y las brocas de la herramienta, etc. de acuerdo con estas instrucciones y teniendo en cuenta las condiciones de trabajo y el trabajo que debe realizarse.** El uso de la herramienta eléctrica para operaciones diferentes de aquéllas para las que fue diseñada podría originar una situación peligrosa.

h) **Mantenga las manijas y superficies de sujeción secas, limpias y libres de aceite y grasa.** Las manijas y superficies de sujeción resbalosas no permiten el manejo y control seguros de la herramienta en situaciones inesperadas.

### 5) Uso y Mantenimiento de la Herramienta con Baterías

a) **Recargue solamente con el cargador especificado por el fabricante.** Un cargador adecuado para un tipo de paquete de baterías puede originar riesgo de incendio si se utiliza con otro paquete de baterías.

b) **Utilice herramientas eléctricas sólo con paquetes de baterías específicamente diseñados.** El uso de cualquier otro paquete de baterías puede producir riesgo de incendio y lesiones.

c) **Cuando no utilice el paquete de baterías, manténgalo lejos de otros objetos metálicos como sujetapapeles, monedas, llaves, clavos, tornillos u otros objetos metálicos pequeños que puedan realizar una conexión desde un terminal al otro.** Los cortocircuitos en los terminales de la batería pueden provocar quemaduras o incendio.

d) **En condiciones abusivas, el líquido puede ser expulsado de la batería. Evite su contacto. Si entra en contacto accidentalmente, enjuague con agua. Si el líquido entra en contacto con los ojos, busque atención médica.** El líquido expulsado de la batería puede provocar irritación o quemaduras.

e) **No use un paquete de batería o herramienta que estén dañados o modificados.** Las baterías dañadas o modificadas pueden presentar un comportamiento impredecible que resulte en incendios, explosión o riesgo de lesiones.

f) **No exponga un paquete de batería o una herramienta a fuego o temperatura excesiva.** La exposición a fuego o temperaturas mayores a 130 °C (265 °F) pueden causar una explosión.

g) **Siga todas las instrucciones de carga y no cargue el paquete de batería o la herramienta fuera del rango de temperatura especificado en las instrucciones.**

Cargar inadecuadamente o en una temperatura fuera del rango de temperatura especificado puede dañar la batería e incrementar el riesgo de incendio.

### 6) Mantenimiento

a) **Solicite a una persona calificada en reparaciones que realice el mantenimiento de su herramienta eléctrica y que sólo utilice piezas de repuesto idénticas.** Esto garantizará la seguridad de la herramienta eléctrica.

b) **Nunca dé servicio a paquetes de batería dañados.** El servicio de paquetes de batería sólo debe ser realizado por el fabricante o proveedores de servicio autorizados.

### Instrucciones de Seguridad para Todas las Sierras

a) **▲PELIGRO: Mantenga las manos alejadas del área y de la hoja de corte. Mantenga la otra mano en el mango auxiliar o en la caja del motor.** Si ambas manos están sujetando la sierra, entonces no podrán ser cortadas por la sierra.

b) **No ponga las manos debajo de la pieza de trabajo.** El protector no puede protegerle de la hoja debajo de la pieza de trabajo.

c) **Ajuste la profundidad de corte al grosor de la pieza de trabajo.** Menos de un diente completo de los dientes de la hoja debe ser visible debajo de la pieza de trabajo.

d) **Ne jamais tenir la pièce à travailler dans vos mains entre vos jambes pendant que vous coupez. Sujete fermemente la pieza de trabajo a una plataforma estable.** Es importante soportar apropiadamente la pieza de trabajo para minimizar la exposición del cuerpo, el atasco de la hoja o la pérdida de control.

e) **Sostenga la herramienta eléctrica solo por las superficies de agarre aisladas al realizar una operación en que la herramienta de corte pueda entrar en contacto con cables ocultos o con su propio cable.** El contacto con un cable vivo puede cargar las partes metálicas expuestas de la herramienta eléctrica y producir una descarga eléctrica al operador.

f) **Cuando corte al hilo, utilice siempre un tope-guía para cortar al hilo o una guía de borde recto.** Esto mejora la precisión del corte y reduce las probabilidades de que la hoja se atasque.

g) **Utilice siempre hojas que tengan el tamaño correcto y la forma correcta (de diamante frente a redonda) de agujeros para el eje portaherramienta.** Las hojas que no coincidan con los herrajes de montaje de la sierra funcionarán excéntricamente, causando pérdida de control.

h) **No use nunca arandelas de hoja o un perno de hoja que estén dañados o sean incorrectos.** Las arandelas y el perno de la hoja se diseñaron especialmente para su sierra, con el fin de lograr un rendimiento óptimo y una seguridad óptima de funcionamiento.

### Instrucciones de Seguridad Adicionales para Todas las Sierras

#### Causas del Rebote y Advertencias Relacionadas

– El retroceso es una reacción repentina a una hoja de sierra pellicada, atascada o desalineada, que hace que una sierra descontrolada se levante y se salga de la pieza de trabajo, hacia el operador.

– Cuando la hoja se pellizca o se atasca fuertemente al cerrarse la sección de corte, la hoja se para y la reacción del motor impulsa la unidad rápidamente hacia atrás, hacia el operador.

– Si la hoja se tuerce o se desalinea en el corte, los dientes ubicados en el borde trasero de la hoja pueden penetrar en la superficie superior de la madera, haciendo que la hoja trepe, se salga de la sección de corte y salte hacia atrás, hacia el operador.

El retroceso es el resultado de un uso inapropiado de la sierra y/o de procedimientos o situaciones de utilización incorrectos y se puede evitar tomando las precauciones apropiadas que se indican a continuación:

a) **Mantenga un agarre firme con las dos manos en la sierra y posicione los brazos de modo que puedan resistir las fuerzas de retroceso.** Las fuerzas de retroceso pueden ser controladas por el operador, si se toman las precauciones adecuadas.

b) **Cuando la hoja se esté atascando o cuando se interrumpa un corte por cualquier motivo, suelte el gatillo y sujete la sierra de modo que esté inmóvil en el material hasta que la hoja se detenga por completo. No intente nunca retirar la sierra de la pieza de trabajo ni tirar de la sierra hacia atrás mientras la hoja esté en movimiento o se podría producir retroceso.** Investigue y tome medidas correctivas para eliminar la causa de atasco de la hoja.

c) **Cuando re arranque una sierra en la pieza de trabajo, centre la hoja de sierra en la sección de corte y asegúrese de que los dientes de la hoja de sierra no estén acoplados en el material.** Si la hoja de sierra se está atascando, podría desplazarse o experimentar retroceso respecto a la pieza de trabajo cuando se arranque la sierra.

d) **Soporte los paneles grandes para minimizar el riesgo de que la hoja se pellizque y se produzca retroceso. Los paneles grandes tienden a combarse bajo su propio peso.** Se deben colocar soportes debajo del panel a ambos lados, cerca de la línea de corte y cerca del borde del panel.

e) **No use hojas desafiladas o dañadas.** Las hojas desafiladas o con triscado inapropiado producen una sección de corte estrecha que causa fricción excesiva, atasco de la hoja y retroceso.

f) **Las palancas de fijación de ajuste de la profundidad y del bisel de la hoja deben estar apretadas y sujetas firmemente antes de realizar el corte.** Si el ajuste de la hoja cambia mientras se realiza el corte, dicho cambio podría causar atasco y retroceso.

g) **Tenga mucho cuidado al serrar en paredes existentes u otras zonas ciegas.** La hoja que sobresale podría cortar objetos que pueden causar retroceso.

## Instrucciones de Seguridad del Funcionamiento del Protector Inferior

a) **Compruebe el protector inferior para verificar si se cierra apropiadamente antes de cada uso. No utilice la sierra si el protector inferior no se mueve libremente y no se cierra instantáneamente. No sujete nunca con abrazaderas ni amarre el protector inferior en la posición abierta. Si la sierra se cae accidentalmente, el protector inferior se podría doblar.** Suba el protector inferior con el mango retráctil y asegúrese de que se mueve libremente y no toca la hoja ni ninguna otra pieza, en todos los ángulos y profundidades de corte.

b) **Compruebe el funcionamiento del resorte del protector inferior. Si el protector y el resorte no están funcionando correctamente, se les debe hacer servicio de ajustes y reparaciones antes de la utilización.** El protector inferior podría funcionar con dificultad debido a que haya piezas dañadas, depósitos gomosos o una acumulación de residuos.

c) **El protector inferior se debe retraer manualmente sólo para realizar cortes especiales, tales como “cortes por penetración” y “cortes compuestos”. Suba el protector inferior por el mango retráctil y, en cuanto la hoja entre en el material, se debe soltar el protector inferior.** Para todas las demás operaciones de aserrado, el protector inferior debe funcionar automáticamente.

d) **Asegúrese siempre de que el protector inferior esté cubriendo la hoja antes de dejar la sierra en un banco de trabajo o en el piso. Una hoja que se esté moviendo por inercia hasta detenerse y no esté protegida hará que la sierra se desplace hacia atrás, cortando todo aquello que esté en su camino.** Tenga en cuenta el tiempo que se requiere para que la hoja se detenga después de soltar el interruptor.

## Instrucción Adicional de Seguridad

▲ **ADVERTENCIA:** Nunca modifique la herramienta eléctrica, ni tampoco ninguna de sus piezas. Podría producir lesiones corporales o daños.

▲ **ADVERTENCIA:** Use SIEMPRE lentes de seguridad. Los anteojos de diario NO SON lentes de seguridad. Utilice además una cubrebocas o mascarilla antipolvo si la operación de corte genera demasiado polvo. SIEMPRE LLEVE EQUIPO DE SEGURIDAD CERTIFICADO:

- protección ocular ANSI Z87.1 (CAN/CSA Z94.3),
- protección auditiva ANSI S12.6 (S3.19),
- protección respiratoria NIOSH/OSHA/MSHA.

▲ **ADVERTENCIA:** Algunas partículas de polvo generadas al lijar, serrar, esmerilar y taladrar con herramientas eléctricas, así como al realizar otras actividades de construcción, contienen químicos que el Estado de California sabe que pueden producir cáncer, defectos congénitos u otras afecciones reproductivas. Ejemplos de estos químicos son:

- plomo de algunas pinturas en base a plomo,
- polvo de sílice proveniente de ladrillos y cemento y otros productos de albañilería, y
- arsénico y cromo provenientes de madera tratada químicamente.

Su riesgo de exposición a estos químicos varía, dependiendo de la frecuencia con la cual realiza usted este tipo de trabajo. Para reducir su exposición a estas sustancias químicas: trabaje en una zona bien ventilada y llevando equipos de seguridad aprobados, como mascarillas antipolvo especialmente diseñadas para filtrar partículas microscópicas.

• **Evite el contacto prolongado con polvo generado por el lijado, aserrado, pulido, taladrado y otras actividades de construcción. Vista ropas protectoras y lave las áreas de la piel expuestas con agua y jabón.** Si permite que el polvo se introduzca en la boca u ojos o quede sobre la piel, puede favorecer la absorción de productos químicos peligrosos.

▲ **ADVERTENCIA:** La utilización de esta herramienta puede generar polvo o dispersarlo, lo que podría causar daños graves y permanentes al sistema respiratorio, así como otras lesiones. Siempre use protección respiratoria aprobada por NIOSH (Instituto Nacional de Seguridad y Salud en el Trabajo)











u OSHA (Administración de Seguridad y Salud en el Trabajo) apropiada para la exposición al polvo. Dirija las partículas en dirección contraria a la cara y el cuerpo.

**▲ ADVERTENCIA: Siempre lleve la debida protección auditiva personal en conformidad con ANSI S12.6 (S3.19) durante el uso de esta herramienta.** Bajo algunas condiciones y duraciones de uso, el ruido producido por este producto puede contribuir a la pérdida auditiva.

**▲ ATENCIÓN: Cuando no esté en uso, guarde la herramienta apoyada en un costado sobre una superficie estable, donde no interrumpa el paso o provoque una caída.** Algunas herramientas con paquetes de baterías de gran tamaño pueden colocarse paradas sobre el paquete de baterías, pero pueden caerse fácilmente.

• **Los orificios de ventilación suelen cubrir piezas en movimiento, por lo que también se deben evitar.** Las piezas en movimiento pueden atrapar prendas de vestir sueltas, joyas o el cabello largo.

La etiqueta de su herramienta puede incluir los siguientes símbolos. A continuación se indican los símbolos y sus definiciones:

V..... voltios	 o CA/CD..... corriente alterna o directa
Hz..... hertz	 ..... Construcción de Clase II (doble aislamiento)
min..... minutos	$n_0$ ..... velocidad sin carga
— — — o CD..... corriente directa	n..... velocidad nominal
 ..... Construcción de Clase I (tierra)	 ..... terminal de conexión a tierra
... /min..... por minuto	 ..... símbolo de advertencia de seguridad
BPM..... golpes por minuto	 ..... radiación visible
IPM..... impactos por minuto	 ..... protección respiratoria
RPM..... revoluciones por minuto	 ..... protección ocular
sfpm..... pies de superficie por minuto	 ..... protección auditiva
SPM..... pasadas por minuto	 ..... lea toda la documentación
A..... amperios	
W..... vatios	
~ o CA..... corriente alterna	

**MONTAJE Y AJUSTES**

**▲ ADVERTENCIA: Para reducir el riesgo de lesiones personales graves, apague la herramienta y retire el paquete de baterías antes de realizar ajustes o de retirar/instalar dispositivos o accesorios.** Un arranque accidental podría causar lesiones.

**▲ ADVERTENCIA: Para reducir el riesgo de lesiones corporales graves, siempre use protección ocular aprobada por ANSI.**

**Montaje del Puerto de Polvo (Fig. B, C)**

**(Accesorio opcional)**

1. Afloje completamente la palanca de ajuste desde la profundidad (4, Fig. B).
2. Alinee la mitad posterior del puerto de polvo (19) por encima del protector de la hoja superior (20) como se muestra. Asegúrese de insertar la lengüeta (21) en la muesca del cuerpo de la herramienta como se muestra en la Figura C. Cuando se instale correctamente, encajará totalmente por encima de la profundidad original del puntero de corte.
3. Alinee el puerto de polvo (22) con la mitad posterior del puerto de polvo (19).

4. Inserte dos tornillos del puerto de polvo (23) como se muestra y apriete bien.

**OPERACIÓN**

**▲ ADVERTENCIA: Para reducir el riesgo de lesiones personales graves, apague la herramienta y retire el paquete de baterías antes de realizar ajustes o de retirar/instalar dispositivos o accesorios.** Un arranque accidental podría causar lesiones.

**Cómo Instalar y Retirar la Unidad de Batería (Fig. D)**

**NOTA:** Para mejores resultados, verifique que su unidad de batería esté completamente cargada.

Para instalar la unidad de batería (3) en el mango de la herramienta, alinee la unidad de batería con los rieles en el interior del mango de la herramienta y deslícela en el mango hasta que la unidad de batería quede firmemente insertada en la herramienta; verifique que ésta no se salga sola.

Para retirar la unidad de alimentación de la herramienta, presione los botones de liberación (13) y tire firmemente de la unidad de batería para sacarla del mango de la herramienta. Insértela en el cargador.

**Luz de Trabajo (Fig. A)**

**▲ ATENCIÓN: No mire fijamente hacia la luz de trabajo.** Podrían producirse lesiones oculares graves. Hay una luz de trabajo (15) ubicada justo por debajo del botón de bloqueo de la hoja (11). La luz de trabajo se activa cuando se presiona el interruptor tipo gatillo, y se apagará automáticamente 20 segundos después de soltarse el interruptor. Si el interruptor de gatillo se mantiene presionado, la luz de trabajo se mantiene encendida.

**NOTA:** La luz de trabajo sirve para iluminar la superficie de trabajo cercana y no fue diseñada para utilizarse como linterna.

**Interruptor Tipo Gatillo (Fig. E)**

**▲ ADVERTENCIA: Esta herramienta no se ha diseñado para permitir el bloqueo del interruptor tipo gatillo en la posición de encendido y nunca debe intentar bloquearse en dicha posición.**

Suelte el botón de bloqueo del interruptor tipo gatillo (1) presionando el botón de la siguiente manera. Tire del interruptor tipo gatillo (2) para encender el motor. Suelte el interruptor tipo gatillo para apagar el motor.

**Cambio de Hojas (Fig. F, G)**

**▲ ADVERTENCIA: Retire la batería de la herramienta antes de cambiar las hojas.**

**Para instalar la hoja (Fig. F, G)**

1. Haga retroceder el protector inferior de la hoja (7) utilizando la palanca de retracción de la hoja inferior (6) y coloque la hoja en el eje de la sierra contra la arandela de sujeción interior, asegurándose de que la hoja gire en el sentido adecuado (el sentido de la flecha de rotación en la hoja de la sierra y los dientes deben apuntar a la misma dirección que la dirección de la flecha de rotación del protector inferior de la hoja). No suponga que la parte impresa de la hoja tenga que estar mirando hacia afuera cuando esté debidamente instalada. Cuando repliegue el protector inferior de la hoja para instalar la hoja, revise la condición y operación del protector inferior de la hoja para asegurar que esté funcionando bien. Asegúrese que se mueva libremente y que no toque la hoja ni cualquiera otra parte de la sierra, en todos los ángulos y profundidades de corte.



- Coloque la arandela de fijación exterior **17** en el eje de la sierra con la superficie grande y plana contra la hoja con el lado biselado hacia afuera.
- Enrosque el tornillo de sujeción de la hoja **8** en el eje de la sierra a mano (el tornillo tiene roscas derechas y debe girarse en sentido horario para ajustarse).
- Presione el botón de bloqueo de la hoja **11** mientras rota el huso de la sierra con la llave de la hoja **14** hasta que el bloqueo de la hoja se active y la hoja deje de rotar (Fig. G).
- Ajuste bien el tornillo de fijación de la hoja con la llave de la hoja.

**NOTA:** Nunca enganche el dispositivo de bloqueo de la hoja con la sierra andando ni trate de bloquear la hoja para detener la herramienta. Nunca encienda la sierra mientras el bloqueo de la hoja esté enganchado. Podría resultar en serios daños a su sierra.

### Para Cambiar la Hoja (Fig. F, G)

- Para aflojar el tornillo de fijación de la hoja **8**, presione el botón de bloqueo de la hoja **11** y rote el huso de la sierra con la llave de la hoja **14** hasta que el bloqueo de la hoja se active y la hoja deje de rotar. Con el bloqueo de la hoja activado, gire el tornillo de sujeción de la hoja en sentido antihorario con la llave de la hoja (el tornillo tiene roscas derechas y debe girarse en sentido antihorario para aflojarse).
- Quite sólo el tornillo de fijación de la hoja **8** y la arandela de fijación exterior **17**. Quite la hoja vieja.
- Limpie el aserrín que se haya acumulado en el protector o el área de la arandela de fijación y revise la condición y funcionamiento del protector inferior de la hoja como se describe más arriba. No lubrique esta área.
- Seleccione la hoja correcta para la aplicación (vea **Hojas**). Siempre use hojas que sean del tamaño correcto (diámetro) con el orificio central del tamaño y la forma apropiados para el montaje en el eje de la sierra. Siempre asegure que la hoja de la sierra alcance o supere la velocidad máxima recomendada (rpm) de la sierra.
- Siga los pasos 2 a 5 bajo **Para instalar la hoja**, asegurándose que la hoja gire en la dirección correcta.

### Protector Inferior de La Hoja

**▲ ADVERTENCIA:** El protector inferior de la hoja es una característica de seguridad que reduce el riesgo de lesiones corporales graves. Nunca use la sierra si el protector inferior de la hoja no se encuentra en la sierra, si está dañado, mal ensamblado o si no funciona debidamente. No dependa del protector inferior de la hoja para protegerlo en cualquier circunstancia. Su seguridad depende de las siguientes advertencias y precauciones, como también de la operación debida de la sierra. Revise el protector inferior de la hoja para ver la manera debida de cerrarla antes de cada uso como se describe en Instrucciones de seguridad adicionales para todas las sierras. Si el protector inferior de la hoja no se encuentra en la sierra, repárela antes de usarla otra vez. Para garantizar la seguridad y confiabilidad del producto, las reparaciones, el mantenimiento y el ajuste deben realizarlos los centros de servicio autorizados u otras organizaciones de servicio calificadas, usando siempre repuestos idénticos.

### Hojas

**▲ ADVERTENCIA:** Para minimizar el riesgo de lesiones oculares, siempre use protección ocular. El carburo es un material duro pero quebradizo. Si topa con objetos extraños

en la pieza de trabajo, tales como alambres o clavos, podría cuartear o quebrar las puntas. Sólo opere la sierra cuando el protector de la hoja esté en su lugar debido. Monte la hoja en forma segura y asegúrese de que rote en la dirección debida antes de usar la sierra y siempre use una hoja limpia y afilada.

**▲ ADVERTENCIA:** No corte materiales de metal, plástico, concreto, mampostería o fibra de cemento con esta sierra.

No use discos u hojas abrasivos. Una hoja roma produce cortes ineficientes y lentos, sobrecarga el motor de la sierra, astilla excesivamente la madera, y puede aumentar la posibilidad de rebote. Remítase a la tabla de más abajo para determinar cuál es el tamaño de hoja de repuesto correcto para su modelo de sierra.

### TIPO DE HOJAS RECOMENDADAS

Ensamblaje Combinado -	Árbol circular de 5/8"; 24 dientes Hoja rápida de utilidad variada para cortes al hilo ytransversales
Madera Tratada A Presión -	Árbol circular de 5/8"; 20 dientes Hoja revestida resistente a la acumulación de goma
Exrema Durabilidad -	Árbol circular de 5/8"; 18 dientes Hoja de carburo tungsteno revestida
Acabados -	Árbol circular de 5/8"; 36 dientes Más dientes para cortes de acabado fino.
Ensamblaje Por Corte Rápido -	Árbol circular de 5/8"; 18 dientes Hoja rápida para cortes al hilo y transversales.

Si necesita ayuda en el uso de las hojas por favor llame al 1-800-4-DeWALT (1-800-433-9258).

### Contragolpes

El retroceso es una reacción repentina a una hoja de sierra pellizcada, atascada o desalineada, que hace que una sierra descontrolada se levante y se salga de la pieza de trabajo, hacia el operador. Cuando la hoja se pellizca o se atasca fuertemente al cerrarse la sección de corte, la hoja se para y la reacción del motor impulsa la unidad rápidamente hacia atrás, hacia el operador. Si la hoja se tuerce o se desalinea en el corte, los dientes ubicados en el borde trasero de la hoja pueden penetrar en la superficie superior de la madera, haciendo que la hoja trepe, se salga de la sección de corte y salte hacia atrás, hacia el operador.

Suelen ocurrir contragolpes cuando se presentan alguna o algunas de las siguientes condiciones:

- SOPORTE INADECUADO DE LA PIEZA DE TRABAJO**
  - Caída o levantamiento inadecuado de la pieza que se desprende, lo que hace que el disco quede atrapado.
  - Cortes en material que sólo se apoya por los extremos (Fig. O). Al tiempo que el material se debilita, éste se pandea y cierra el canal de corte, lo que ocasiona que el disco quede atrapado.
  - Corte desde la parte inferior de piezas voladas en dirección vertical. La pieza que caerá podría trabar el disco.
  - Corte de tiras largas y angostas (como en cortes al hilo). La pieza que se separa puede trabar el disco.
  - Sujetar la guarda inferior con una superficie que se encuentre por debajo del material que se está cortando, lo que reduce por un momento el control del operador. La sierra se puede levantar parcialmente del corte, lo que incrementará la posibilidad de un atorón del disco.

## 2. AJUSTE INCORRECTO DE LA PROFUNDIDAD DE CORTE EN LA SIERRA

a. Para hacer el corte más eficiente, la hoja no debe sobresalir más de lo necesario para exponer la mitad de uno de sus dientes, como lo muestra la Figure I. Esto permite que la base soporte la hoja y minimiza la torsión o el enganche del material. Vea la sección encabezada **Ajuste de la profundidad del corte**.

## 3. DOBLECES EN EL DISCO (DESVIACIONES EN EL CORTE)

- Empujar demasiado para cortar a través de un nudo, un clavo o un área de fibras duras puede ocasionar que el disco se doble.
- Tratar de girar la sierra durante un corte (tratar de regresar a la línea marcada) puede causar doblez.
- Se corren los mismo peligros al tratar de alcanzar zonas alejadas u operar la sierra con poco control del operador (fuera de balance).
- Se propicia el mismo riesgo al cambiar de mano o cambiar la posición del cuerpo mientras se corta.
- También podría suceder así al regresar la unidad para limpiar el disco.

## 4. MATERIALES QUE REQUIEREN DE MAYOR ATENCION

- Madera húmeda.
- Madera verde (material cortado recientemente o no estufado).
- Madera tratada a presión (material tratado con conservadores o anticorrosivos).

## 5. EMPLEO DE DISCOS SUCIOS O SIN FILO

a. Los discos sucios o mellados ocasionan carga excesiva en la sierra. Para compensar la carga, el operador empujará normalmente con más fuerza, lo que incrementará la carga aún más y propiciará que el disco se trabe en el canal de corte. Los discos desgastados pueden tener también una luz menor, lo que aumentará la oportunidad de que el disco se doble e incrementará la carga.

## 6. LEVANTAR LA SIERRA MIENTRAS SE HACEN CORTES A BISEL

a. Los cortes a bisel requieren que el operador preste atención especial a las técnicas de corte adecuadas sobre todo a la conducción de la sierra. El ángulo del disco contra la zapata y la gran superficie de la cara del disco expuesta al material aumentan las posibilidades de que ocurran desviaciones.

## 7. REINICIACION DE UN CORTE CON LOS DIENTES DEL DISCO BLOQUEADOS POR EL MATERIAL

a. Debe permitirse que la sierra alcance su velocidad máxima antes de iniciar un corte después que la unidad se ha detenido con el disco en el canal de corte. No hacerlo así causará que la sierra se atasque y ocurra contragolpe. Cualquier otra condición que podría producir el enganche, el trabado, la torsión o el desalineamiento de la hoja podría causar rebote. Remítase a las secciones **Instrucciones de seguridad adicionales para todas las sierras** y a **Hojas** para ver los procedimientos y las técnicas que minimizarán la ocurrencia de rebote.

## Ajuste de Profundidad del Corte (Fig. A, H, I)

**NOTA:** La profundidad máxima de corte para esta sierra es 65 mm (2-9/16") a 90°.

1. Sujete la sierra firmemente y afloje (en el sentido de las manillas del reloj) la palanca de ajuste de profundidad 4 y

mueva la base (5, Fig. A) para obtener la profundidad de corte deseada.

2. Asegúrese de que la palanca de ajuste de profundidad se haya vuelto a apretar (en sentido contrario a las manillas del reloj) antes de poner la sierra en funcionamiento.

Para obtener el corte más eficiente, fije el ajuste de profundidad de modo que la mitad de un diente de la hoja se proyecte por debajo del material a cortar. Esta distancia se mide desde la punta del diente hasta la parte inferior de la hendidura que sigue a ese diente. Esto reduce al mínimo la fricción de la hoja, despeja el aserrín del corte y resulta en un aserrado más frío y rápido, y reduce la posibilidad de rebote. Un método para revisar la profundidad correcta del corte aparece en la Figura I. Recueste una pieza del material que piensa cortar a lo largo de la hoja, como aparece, y observe cuánto sobresale el diente más allá del material.

## Ajuste del Ángulo de Bisel (Fig. A, J)

El rango completo de ajuste de biselado es de 0° a 57°. El cuadrante se gradúa en incrementos de 1°. Frente a la sierra hay un mecanismo de ajuste del ángulo de biselado que consta de un cuadrante calibrado y una palanca de ajuste de biselado 10.

## Para Configurar la Sierra para un Corte Biselado

- Afloje (en sentido contrario a las manillas del reloj) la palanca de ajuste de biselado 10 e incline la base (5, Fig. A) hasta el ángulo deseado alineando el indicador con la marca de ángulo deseada.
- Vuelva a apretar la palanca firmemente (en el sentido de las manillas del reloj).

## Ajuste a la Base para Cortes de 90° (Fig. J, K)

### Si se necesita hacer ajustes adicionales:

- Ajuste la sierra a un bisel de 0°.
- Retraete el protector inferior de la hoja. Coloque la sierra en el lado de la hoja.
- Afloje la palanca de ajuste de biselado (10, Fig. J). Coloque una escuadra contra la hoja y la base para ajustar la configuración de 90°.
- Gire el tornillo de calibrado 18 de modo que la base se detenga en el ángulo correcto.
- Revise la rectitud de un corte real en un pedazo de desecho del material para confirmar la precisión de la configuración.

## Indicador de la Vía del Corte (Fig. L)

La parte delantera de la base de la sierra tiene un indicador de la vía de corte 9 para cortes verticales y biselados. Este indicador le permite guiar la sierra a lo largo de líneas de corte marcadas con lápiz en el material a cortar. El indicador de la vía de corte se alinea con el lado izquierdo (interior) de la hoja de la sierra, el que hace que la ranura o línea cortada por la hoja en movimiento caiga a la derecha del indicador. Guíe la sierra por la línea de corte marcada con lápiz de modo que la línea de corte caiga a la pila de material de desecho.

## Soporte de la Pieza de Trabajo (Fig. M–O)

**▲ ADVERTENCIA:** Es importante soportar bien la pieza de trabajo y sostener firmemente la sierra para evitar que se pierda el control lo cual podría resultar en lesiones personales. La Figura M ilustra la forma correcta de sostener la sierra con la mano. Sosténgala firmemente y con ambas manos y sitúe su cuerpo y brazo de modo que podría resistir la fuerza del

*rebote si ocurriese. ¡SIEMPRE APAGUE LA HERRAMIENTA Y DESCONECTE LA UNIDAD DE ALIMENTACIÓN ANTES DE HACER CUALQUIER AJUSTE!*

La Figure M ilustra la posición correcta de serrado. Fíjese que las manos se mantienen alejadas del área de corte. **Para evitar rebote**, SOPORTE la tabla o el panel CERCA del corte (Fig. N). NO soporte la tabla o el panel lejos del corte (Fig. O). Ponga la pieza de trabajo con el lado "bueno" – el que se verá – hacia abajo. La sierra corta hacia arriba por lo que el astillado quedará en el lado que está hacia arriba en el momento del corte.

### Corte (Fig. N)

Ponga la parte más ancha de la base de la sierra en la parte de la pieza de trabajo que está soportada y no en la sección que se caerá cuando haga el corte. La Figura N ilustra la forma CORRECTA de cortar el extremo de una tabla. Siempre use abrazaderas para fijar el material. ¡No intente sujetar piezas más cortas con la mano! Recuerde soportar material sobresaliente. Use precaución cuando corte el material desde abajo.

Asegúrese que la sierra esté funcionando a toda velocidad antes de que la hoja entre en contacto con el material a cortar. El arrancar la sierra con la hoja contra el material a ser cortado o presionada en la vía del corte puede resultar en rebote. Empuje la sierra hacia adelante a una velocidad que permita que la hoja corte sin mucho esfuerzo.

El grado de dureza puede variar aun en la misma pieza de material y algunas secciones con más nudos o húmedas pueden ser más difíciles de cortar que otras. Cuando esto suceda, empuje la sierra más lentamente pero con suficiente fuerza para que siga funcionando sin disminuir mucho la velocidad. Si fuerza la sierra puede causar cortes toscos, no precisos, rebotes y sobrecalentamiento del motor.

Si su corte comienza a salirse de la línea, no trate de regresarlo a la línea a la fuerza. Suelte el interruptor tipo gatillo y permita que la hoja se detenga por completo. Luego retire la sierra, vuelva a guiarla y comience un nuevo corte ligeramente por dentro del corte con el que se equivocó. Retire la sierra si debe cambiar la dirección de corte. Si a la fuerza trata de corregir por dentro del corte, la sierra puede trabarse y rebotar.

SI LA SIERRA SE TRABA, SUELTE EL INTERRUPTOR TIPO GATILLO Y RETROCEDA CON LA SIERRA HASTA QUE SE SUELTE. VERIFIQUE QUE LA HOJA ESTÉ DERECHA EN EL CORTE Y ALEJADA DEL BORDE DE CORTE ANTES DE VOLVER A ARRANCARLA.

Al completar un corte, suelte el interruptor tipo gatillo y permita que la hoja se detenga antes de levantar la sierra de la pieza de trabajo. Cuando levante la sierra, el protector inferior de la hoja, el que está cargado por resorte, se cerrará automáticamente debajo de la hoja. Recuerde que la hoja quedará expuesta hasta que esto ocurra. Nunca ponga su mano debajo del material por ningún motivo. Cuando tenga que traer manualmente el protector inferior de la hoja (lo que es necesario para iniciar un corte interior), siempre use la palanca de retracción.

**▲ ADVERTENCIA:** Cuando corte tiras angostas, tenga cuidado de verificar que las piezas cortadas no queden colgando del interior del protector inferior de la hoja.

### Cortes Longitudinales (Fig. P)

Se utiliza un corte longitudinal para cortar tablas anchas en tablas más angostas, cortando al hilo. La guía manual de la sierra es más difícil cuando se utiliza este tipo de

sierra y se recomienda el uso de una guía para cortes longitudinales DeWALT.

### Corte Central o de Orificio (Fig. Q)

**▲ ADVERTENCIA:** Nunca fije el protector inferior de la hoja en la posición elevada. Nunca mueva la sierra hacia atrás cuando haga cortes interiores. Esto podría hacer que la sierra se levante de la superficie de trabajo, lo que podría causar lesiones.

Un corte central es un corte realizado en un piso, una pared u otra superficie plana.

1. Ajuste la base de la sierra de modo que la hoja corte a la profundidad deseada.
2. Incline la sierra hacia adelante y descance la parte anterior de la base sobre el material a cortar.
3. Usando la palanca de retracción del protector inferior de la hoja, retracte el protector inferior de la hoja a una posición ascendente. Baje la parte posterior de la base hasta que los dientes de la hoja casi toquen la línea de corte.
4. Suelte el protector inferior de la hoja (su contacto con la pieza lo mantendrá en una posición que permitirá que se abra libremente conforme inicie el corte). Retire su mano de la palanca de retracción del protector inferior de la hoja y agarre firmemente el mango auxiliar **12**, como lo muestra la Figura Q. Posicione su cuerpo y su brazo de modo que pueda resistir el rebote si esto ocurre.
5. Asegúrese que la hoja no esté en contacto con la superficie de corte antes de arrancar la sierra.
6. Arranque el motor y baje la sierra gradualmente hasta que la base descance completamente plana sobre el material a cortar. Avance la sierra por la línea del corte hasta que el corte se haya completado.
7. Suelte el interruptor tipo gatillo y permita que la hoja se detenga por completo antes de retirar la hoja del material.
8. Cuando inicie un nuevo corte, repita los pasos anteriores.

### Gancho para Colgar (Fig. A)

**▲ ADVERTENCIA:** Para reducir el riesgo de lesiones personales serias, no use el gancho para colgar de la herramienta para colgar la herramienta de su cuerpo. NO use el gancho para colgar para anclar o asegurar la herramienta a una persona u objeto durante el uso. NO suspenda la herramienta por arriba de su cabeza o suspenda objetos del gancho para colgar.

**▲ ADVERTENCIA:** Para reducir el riesgo de lesiones por la caída de la sierra circular sobre operadores o transeúntes, asegúrese que esté soportada firmemente cuando use el gancho para colgar, o se apoye en una ubicación segura y estable cuando no esté en uso. Asegúrese de mantener el área por debajo libre para reducir el riesgo que la herramienta o material de corte caiga y golpee a alguien o algo debajo de ella.

La sierra circular tiene un conveniente gancho para colgar **16** que permite colgarla en una estructura adecuada y estable entre usos. El gancho para colgar no está diseñado para anclar o asegurar la herramienta a una persona u objeto durante el uso cuando esté en lugares elevados.

### MANTENIMIENTO

**▲ ADVERTENCIA:** Para reducir el riesgo de lesiones personales graves, apague la herramienta y retire el paquete de baterías antes de realizar ajustes o de retirar/instalar dispositivos o accesorios. Un arranque accidental podría causar lesiones.

## ESPAÑOL

### Limpieza

**▲ ADVERTENCIA:** *Sople la suciedad y el polvo de todos los conductos de ventilación con aire seco, al menos una vez por semana. Para reducir el riesgo de lesiones, utilice siempre protección para los ojos aprobada ANSI Z87.1 al realizar esta tarea.*

**▲ ADVERTENCIA:** *Nunca utilice solventes ni otros químicos abrasivos para limpiar las piezas no metálicas de la herramienta. Estos productos químicos pueden debilitar los materiales plásticos utilizados en estas piezas. Utilice un paño humedecido sólo con agua y jabón neutro. Nunca permita que penetre líquido dentro de la herramienta ni sumerja ninguna de las piezas en un líquido.*

### Accesorios

**▲ ADVERTENCIA:** *Debido a que no se han probado con este producto otros accesorios que no sean los que ofrece DeWALT, el uso de dichos accesorios con esta herramienta podría ser peligroso. Para reducir el riesgo de lesiones, con este producto deben usarse sólo los accesorios recomendados por DeWALT.*

Los accesorios que se recomiendan para utilizar con la herramienta están disponibles a un costo adicional en su distribuidor local o en un centro de mantenimiento autorizado. Si necesita ayuda para localizar algún accesorio, póngase en contacto con DeWALT Industrial Tool Co., 701 East Joppa Road, Towson, MD 21286, llame al 1-800-4-DeWALT (1-800-433-9258) o visite nuestro sitio web: [www.dewalt.com](http://www.dewalt.com).

### Reparaciones

El cargador y las unidades de batería no pueden ser reparados.

**▲ ADVERTENCIA:** *Para asegurar la SEGURIDAD y la CONFIABILIDAD del producto, las reparaciones, el mantenimiento y los ajustes deben (inclusive inspección y cambio de carbones) ser realizados en un centro de mantenimiento en la fábrica DeWALT u en un centro de mantenimiento autorizado DeWALT. Utilice siempre piezas de repuesto idénticas.*

**Para reparación y servicio de sus herramientas eléctricas, favor de dirigirse al Centro de Servicio más cercano**

### CULIACAN, SIN

Blvd.Emiliano Zapata 5400-1 Poniente Col. (667) 717 89 99  
San Rafael

### GUADALAJARA, JAL

Av. La Paz #1779 - Col. Americana Sector (33) 3825 6978  
Juárez

### MEXICO, D.F.

Eje Central Lázaro Cárdenas No. 18 - Local (55) 5588 9377  
D, Col. Obrera

### MERIDA, YUC

Calle 63 #459-A - Col. Centro (999) 928 5038

### MONTERREY, N.L.

Av. Francisco I. Madero 831 Poniente - Col. (818) 375 23 13  
Centro

### PUEBLA, PUE

17 Norte #205 - Col. Centro (222) 246 3714

### QUERETARO, QRO

Av. San Roque 274 - Col. San Gregorio (442) 2 17 63 14

### SAN LUIS POTOSI, SLP

Av. Universidad 1525 - Col. San Luis (444) 814 2383

### TORREON, COAH

Blvd. Independencia, 96 Pte. - Col. Centro (871) 716 5265

### VERACRUZ, VER

Prolongación Díaz Mirón #4280 - Col. (229) 921 7016  
Remes

### VILLAHERMOSA, TAB

Constitución 516-A - Col. Centro (993) 312 5111

#### PARA OTRAS LOCALIDADES:

**Si se encuentra en México, por favor llame al (55) 5326 7100**

**Si se encuentra en U.S., por favor llame al 1-800-433-9258 (1-800 4-DeWALT)**

### Póliza de Garantía

IDENTIFICACIÓN DEL PRODUCTO:

Sello o firma del Distribuidor.

Nombre del producto: \_\_\_\_\_

Mod./Cat.: \_\_\_\_\_

Marca: \_\_\_\_\_

Núm. de serie: \_\_\_\_\_

(Datos para ser llenados por el distribuidor)

Fecha de compra y/o entrega del producto: \_\_\_\_\_

Nombre y domicilio del distribuidor donde se adquirió el producto: \_\_\_\_\_

Este producto está garantizado por un año a partir de la fecha de entrega, contra cualquier defecto en su funcionamiento, así como en materiales y mano de obra empleados para su fabricación. Nuestra garantía incluye la reparación o reposición del producto y/o componentes sin cargo alguno para el cliente, incluyendo mano de obra, así como los gastos de transportación razonablemente erogados derivados del cumplimiento de este certificado.

Para hacer efectiva esta garantía deberá presentar su herramienta y esta póliza sellada por el establecimiento comercial donde se adquirió el producto, de no contar con ésta, bastará la factura de compra.

### Excepciones

Esta garantía no será válida en los siguientes casos:

- Cuando el producto se hubiese utilizado en condiciones distintas a las normales;
- Cuando el producto no hubiese sido operado de acuerdo con el instructivo de uso que se acompaña;
- Cuando el producto hubiese sido alterado o reparado por personas distintas a las enlistadas al final de este certificado.

Anexo encontrará una relación de sucursales de servicio de fábrica, centros de servicio autorizados y franquiciados en la República Mexicana, donde podrá hacer efectiva su garantía y adquirir partes, refacciones y accesorios originales.

## Registro en Línea

Gracias por su compra. Registre su producto ahora para:

- **SERVICIO EN GARANTÍA:** Si completa esta tarjeta, podrá obtener un servicio en garantía más eficiente, en caso de que exista un problema con su producto.
- **CONFIRMACIÓN DE PROPIEDAD:** En caso de una pérdida que cubra el seguro, como un incendio, una inundación o un robo, el registro de propiedad servirá como comprobante de compra.
- **PARA SU SEGURIDAD:** Si registra el producto, podremos comunicarnos con usted en el caso improbable que se deba enviar una notificación de seguridad conforme a la Federal Consumer Safety Act (Ley Federal de Seguridad de Productos para el Consumidor).
- Registro en línea en [www.dewalt.com](http://www.dewalt.com).

## Garantía Limitada de Tres Años

Para los términos de garantía, visite <https://www.dewalt.com/support/warranty>.

Para solicitar una copia escrita de los términos de garantía, póngase en contacto con: Servicio al Cliente en DeWALT Industrial Tool Co., 701 East Joppa Road, Towson, MD 21286 o llame al **1-800-4-DeWALT (1-800-433-9258)**.

**AMÉRICA LATINA:** Esta garantía no aplica a productos vendidos en América Latina. Para productos vendidos en América Latina, consulte la información de garantía específica contenida en el empaque, llame a la compañía local o consulte la página de Internet respecto a la información de garantía.

### REEMPLAZO GRATUITO DE ETIQUETA DE ADVERTENCIA:

Si sus etiquetas de advertencia se vuelven ilegibles o faltan, llame al **1-800-4-DeWALT (1-800-433-9258)** para reemplazo gratuito.

## ESPECIFICACIONES

DCCS578                      60 V Máx\*                      5 800 rpm

Solamente para propósito de México:

Importado por: DeWALT Industrial Tool Co. S.A. de C.V.

Avenida Antonio Dovali Jaime, # 70 Torre B Piso 9

Colonia La Fe, Santa Fé

Código Postal : 01210

Delegación Alvaro Obregón

México D.F.

Tel. (52) 555-326-7100

R.F.C.: BDE810626-1W7





60V Max* Li-Ion	Battery Packs	
	Blocs-piles	DCB606, DCB609, DCB612
	Baterias	
	Chargers	
	Chargeurs	DCB103, DCB104, DCB107, DCB112, DCB113, DCB115, DCB118, DCB132, DCB1106, DCB1112
	Cargadores	

\* Maximum initial battery voltage (measured without a workload) is 20, 60 or 120 volts. Nominal voltage is 18, 54 or 108. (120V Max\* is based on using 2 DeWALT 60V Max\* lithium-ion batteries combined.)

\* La tension initiale maximum du bloc-piles (mesurée à vide) est de 20, 60 ou 120 volts. La tension nominale est de 18, 54 ou 108. (120 V max\* se base sur l'utilisation combinée de 2 blocs-piles au lithium ion DeWALT de 60 V max\*).

\* El máximo voltaje inicial de la batería (medido sin carga de trabajo) es 20 o 60 voltios. El voltaje nominal es de 18, 54 o 108 V. (120 V Máx\* se basan en el uso de 2 baterías de iones de litio DeWALT de 60 V Máx\* combinadas.)

\*\*BT - Bluetooth®

**NOTE:** The Bluetooth® word mark and logos are registered trademarks owned by the Bluetooth®, SIG, Inc. and any use of such marks by DeWALT is under license. Other trademarks and trade names are those of their respective owners.

**REMARQUE :** le mot servant de marque et les logos Bluetooth® sont des marques déposées appartenant à Bluetooth SIG, Inc. et toute utilisation de ces marques par DeWALT est sous licence. Les autres marques de commerce et noms commerciaux sont ceux de leurs détenteurs respectifs.

**NOTA:** La palabra y los logotipos de Bluetooth® son marcas registradas propiedad de Bluetooth®, SIG, Inc. y DeWALT utiliza dichas marcas bajo licencia. Otras marcas comerciales y nombres comerciales pertenecen a sus respectivos propietarios.

**▲ WARNING:** Use of any other battery packs may create a risk of injury and fire.

**▲ AVERTISSEMENT :** utiliser d'autres blocs-piles peut créer un risque de blessure ou d'incendie.

**▲ ADVERTENCIA:** El uso de cualquier otro paquete de batería puede crear un riesgo de lesiones e incendio.

DeWALT Industrial Tool Co., 701 East Joppa Road, Towson, MD 21286  
(SEP23) Part No. NA494654 DCS578 Copyright © 2019, 2020, 2023 DeWALT

The following are trademarks for one or more DeWALT power tools: the yellow and black color scheme, the "D" shaped air intake grill, the array of pyramids on the handgrip, the kit box configuration, and the array of lozenge-shaped humps on the surface of the tool.