

*If you have questions or comments, contact us.  
Pour toute question ou tout commentaire, nous contacter.  
Si tiene dudas o comentarios, contáctenos.*

**1-800-4-DEWALT • [www.dewalt.com](http://www.dewalt.com)**

**INSTRUCTION MANUAL  
GUIDE D'UTILISATION  
MANUAL DE INSTRUCCIONES**

INSTRUCTIVO DE OPERACIÓN, CENTROS DE SERVICIO Y PÓLIZA DE GARANTÍA. **ADVERTENCIA:** LÉASE ESTE INSTRUCTIVO ANTES DE USAR EL PRODUCTO.

**DEWALT®**

**DC330**

**Heavy-Duty 18V Cordless Jig Saw**

**Scie sauteuse sans cordon de 18 V à service intensif**

**Sierra de vaivén inalámbrica de 18 V para trabajo pesado**



### Definitions: Safety Guidelines

The definitions below describe the level of severity for each signal word. Please read the manual and pay attention to these symbols.

**⚠ DANGER:** Indicates an imminently hazardous situation which, if not avoided, **will** result in **death or serious injury**.

**⚠ WARNING:** Indicates a potentially hazardous situation which, if not avoided, **could** result in **death or serious injury**.

**⚠ CAUTION:** Indicates a potentially hazardous situation which, if not avoided, **may** result in **minor or moderate injury**.

**NOTICE:** Indicates a practice **not related to personal injury** which, if not avoided, **may** result in **property damage**.

IF YOU HAVE ANY QUESTIONS OR COMMENTS ABOUT THIS OR ANY DEWALT TOOL, CALL US TOLL FREE AT: **1-800-4-DeWALT (1-800-433-9258)**.



**WARNING:** To reduce the risk of injury, read the instruction manual.

### General Power Tool Safety Warnings



**WARNING!** Read all safety warnings and all instructions. Failure to follow the warnings and instructions may result in electric shock, fire and/or serious injury.

### SAVE ALL WARNINGS AND INSTRUCTIONS FOR FUTURE REFERENCE

The term "power tool" in the warnings refers to your mains-operated (corded) power tool or battery-operated (cordless) power tool.

### 1) WORK AREA SAFETY

- a) **Keep work area clean and well lit.** Cluttered or dark areas invite accidents.
- b) **Do not operate power tools in explosive atmospheres, such as in the presence of flammable liquids, gases or dust.** Power tools create sparks which may ignite the dust or fumes.
- c) **Keep children and bystanders away while operating a power tool.** Distractions can cause you to lose control.

### 2) ELECTRICAL SAFETY

- a) **Power tool plugs must match the outlet. Never modify the plug in any way. Do not use any adapter plugs with earthed (grounded) power tools.** Unmodified plugs and matching outlets will reduce risk of electric shock.
- b) **Avoid body contact with earthed or grounded surfaces such as pipes, radiators, ranges and refrigerators.** There is an increased risk of electric shock if your body is earthed or grounded.
- c) **Do not expose power tools to rain or wet conditions.** Water entering a power tool will increase the risk of electric shock.
- d) **Do not abuse the cord. Never use the cord for carrying, pulling or unplugging the power tool. Keep cord away from heat, oil, sharp edges or moving parts.** Damaged or entangled cords increase the risk of electric shock.
- e) **When operating a power tool outdoors, use an extension cord suitable for outdoor use.** Use of a cord suitable for outdoor use reduces the risk of electric shock.
- f) **If operating a power tool in a damp location is unavoidable, use a ground fault circuit interrupter (GFCI) protected supply.** Use of a GFCI reduces the risk of electric shock.

### 3) PERSONAL SAFETY

- a) **Stay alert, watch what you are doing and use common sense when operating a power tool. Do not use a power tool while you are tired or under the influence of drugs, alcohol or medication.** A moment of inattention while operating power tools may result in serious personal injury.
- b) **Use personal protective equipment. Always wear eye protection.** Protective equipment such as dust mask, non-skid safety shoes, hard hat, or hearing protection used for appropriate conditions will reduce personal injuries.
- c) **Prevent unintentional starting. Ensure the switch is in the off position before connecting to power source and/or battery pack, picking up or carrying the tool.** Carrying power tools with your finger on the switch or energizing power tools that have the switch on invites accidents.
- d) **Remove any adjusting key or wrench before turning the power tool on.** A wrench or a key left attached to a rotating part of the power tool may result in personal injury.
- e) **Do not overreach. Keep proper footing and balance at all times.** This enables better control of the power tool in unexpected situations.
- f) **Dress properly. Do not wear loose clothing or jewelry. Keep your hair, clothing and gloves away from moving parts.** Loose clothes, jewelry or long hair can be caught in moving parts.
- g) **If devices are provided for the connection of dust extraction and collection facilities, ensure these are connected and properly used.** Use of dust collection can reduce dust-related hazards.

### 4) POWER TOOL USE AND CARE

- a) **Do not force the power tool. Use the correct power tool for your application.** The correct power tool will do the job better and safer at the rate for which it was designed.
- b) **Do not use the power tool if the switch does not turn it on and off.** Any power tool that cannot be controlled with the switch is dangerous and must be repaired.
- c) **Disconnect the plug from the power source and/or the battery pack from the power tool before making any adjustments, changing accessories, or storing power tools.** Such preventive safety measures reduce the risk of starting the power tool accidentally.
- d) **Store idle power tools out of the reach of children and do not allow persons unfamiliar with the power tool or these instructions to operate the power tool.** Power tools are dangerous in the hands of untrained users.
- e) **Maintain power tools. Check for misalignment or binding of moving parts, breakage of parts and any other condition that may affect the power tool's operation. If damaged, have the power tool repaired before use.** Many accidents are caused by poorly maintained power tools.
- f) **Keep cutting tools sharp and clean.** Properly maintained cutting tools with sharp cutting edges are less likely to bind and are easier to control.
- g) **Use the power tool, accessories and tool bits, etc. in accordance with these instructions, taking into account the working conditions and the work to be performed.** Use of the power tool for operations different from those intended could result in a hazardous situation.

## 5) BATTERY TOOL USE AND CARE

- a) **Recharge only with the charger specified by the manufacturer.** A charger that is suitable for one type of battery pack may create a risk of fire when used with another battery pack.
- b) **Use power tools only with specifically designated battery packs.** Use of any other battery packs may create a risk of injury and fire.
- c) **When battery pack is not in use, keep it away from other metal objects, like paper clips, coins, keys, nails, screws, or other small metal objects, that can make a connection from one terminal to another.** Shorting the battery terminals together may cause burns or a fire.
- d) **Under abusive conditions, liquid may be ejected from the battery; avoid contact. If contact accidentally occurs, flush with water. If liquid contacts eyes, additionally seek medical help.** Liquid ejected from the battery may cause irritation or burns.

## 6) SERVICE

- a) **Have your power tool serviced by a qualified repair person using only identical replacement parts.** This will ensure that the safety of the power tool is maintained.

## Additional Specific Safety Rules for Jig Saws

- **Use clamps or another practical way to secure and support the workpiece to a stable platform.** Holding the work by hand or against your body leaves it unstable and may lead to loss of control.
- **Allow the motor to come to a complete stop before withdrawing the blade from the kerf (the slot created by cutting).** A moving blade may impact the workpiece causing a broken blade, workpiece damage or loss of control and possible personal injury.
- **Keep hands away from moving parts.** Never place your hands near the cutting area.
- **Keep hands away from cutting area.** When sawing, never reach underneath or behind the material being cut for any reason.
- **Never hold work in your hand, lap or against parts of your body when sawing.** The saw may slip and the blade could contact the body causing injury.
- **Keep handles dry, clean, free from oil and grease.** This will enable better control of the tool.
- **Keep blades sharp.** Dull blades may cause the saw to swerve or stall under pressure.
- **Use extra caution when cutting overhead and pay particular attention to overhead wires which may be hidden from view.** Anticipate the path of falling branches and debris ahead of time.
- **Clean out your tool often, especially after heavy use.** Dust and grit containing metal particles often accumulate on interior surfaces and could create an electric shock hazard.
- **Do not operate this tool for long periods of time.** Vibration caused by the operating action of this tool may cause permanent injury to fingers, hands, and arms. Use gloves to provide extra cushion, take frequent rest periods, and limit daily time of use.

- **Air vents often cover moving parts and should be avoided.**

Loose clothes, jewelry or long hair can be caught in moving parts.

**⚠ WARNING: ALWAYS** use safety glasses. Everyday eyeglasses are NOT safety glasses. Also use face or dust mask if cutting operation is dusty. ALWAYS WEAR CERTIFIED SAFETY EQUIPMENT:

- ANSI Z87.1 eye protection (CAN/CSA Z94.3),
- ANSI S12.6 (S3.19) hearing protection,
- NIOSH/OSHA/MSHA respiratory protection.

**⚠ WARNING:** Some dust created by power sanding, sawing, grinding, drilling, and other construction activities contains chemicals known to the State of California to cause cancer, birth defects or other reproductive harm. Some examples of these chemicals are:

- lead from lead-based paints,
- crystalline silica from bricks and cement and other masonry products, and
- arsenic and chromium from chemically-treated lumber.

Your risk from these exposures varies, depending on how often you do this type of work. To reduce your exposure to these chemicals: work in a well ventilated area, and work with approved safety equipment, such as those dust masks that are specially designed to filter out microscopic particles.

- **Avoid prolonged contact with dust from power sanding, sawing, grinding, drilling, and other construction activities. Wear protective clothing and wash exposed areas with soap and water.** Allowing dust to get into your mouth, eyes, or lay on the skin may promote absorption of harmful chemicals.

**⚠ WARNING:** Use of this tool can generate and/or disperse dust, which may cause serious and permanent respiratory or other injury. Always use NIOSH/OSHA approved respiratory protection appropriate for the dust exposure. Direct particles away from face and body.

**⚠ WARNING: Always wear proper personal hearing protection that conforms to ANSI S12.6 (S3.19) during use.** Under some conditions and duration of use, noise from this product may contribute to hearing loss.

**⚠ CAUTION: When not in use, place tool on its side on a stable surface where it will not cause a tripping or falling hazard.** Some tools with large battery packs will stand upright on the battery pack but may be easily knocked over.

- The label on your tool may include the following symbols. The symbols and their definitions are as follows:

V.....	volts	A.....	amperes
Hz.....	hertz	W.....	watts
min .....	minutes	~ or AC.....	alternating current
== or DC...	direct current	⚡ or AC/DC...	alternating or direct current
Ⓛ.....	Class I Construction (grounded)	no .....	no load
Ⓜ.....	Class II Construction (double insulated)	n .....	rated speed
.../min .....	per minute	⊕.....	earthing terminal
BPM.....	beats per minute	⚠.....	safety alert symbol
IPM.....	impacts per minute		
RPM.....	revolutions per minute		
sfpm .....	surface feet per minute		

## **Important Safety Instructions for All Battery Packs**

When ordering replacement battery packs, be sure to include catalog number and voltage. Consult the chart at the end of this manual for compatibility of chargers and battery packs.

The battery pack is not fully charged out of the carton. Before using the battery pack and charger, read the safety instructions below. Then follow charging procedures outlined.

### **READ ALL INSTRUCTIONS**

- **Do not charge or use battery in explosive atmospheres, such as in the presence of flammable liquids, gases or dust.** Inserting or removing the battery from the charger may ignite the dust or fumes.
- **NEVER force battery pack into charger. DO NOT modify battery pack in any way to fit into a non-compatible charger as battery pack may rupture causing serious personal injury.** Consult the chart at the end of this manual for compatibility of batteries and chargers.
- Charge the battery packs only in DEWALT chargers.
- **DO NOT splash or immerse in water or other liquids.**
- **Do not store or use the tool and battery pack in locations where the temperature may reach or exceed 105 °F (40 °C) (such as outside sheds or metal buildings in summer).**

**⚠ DANGER:** Electrocution hazard. Never attempt to open the battery pack for any reason. If battery pack case is cracked or damaged, do not insert into charger. Do not crush, drop or damage battery pack. Do not use a battery pack or charger that has received a sharp blow, been dropped, run over or damaged in any way (i.e., pierced with a nail, hit with a hammer, stepped on). Electric shock or electrocution may result. Damaged battery packs should be returned to service center for recycling.

**NOTE:** Battery storage and carrying caps are provided for use whenever the battery is out of the tool or charger. Remove cap before placing battery in charger or tool.



**⚠ WARNING: Fire hazard. Do not store or carry battery so that metal objects can contact exposed battery terminals.** For example, do not place battery in aprons, pockets, tool boxes, product kit boxes, drawers, etc., with loose nails, screws, keys, etc. without battery cap. **Transporting batteries can possibly cause fires if the battery terminals inadvertently come in contact with conductive materials such as keys, coins, hand tools and the like.** The U.S. Department of Transportation Hazardous Material Regulations (HMR) actually prohibit transporting batteries in commerce or on airplanes (i.e., packed in suitcases and carry-on luggage) UNLESS they are properly protected from short circuits. So when transporting individual batteries, make sure that the battery terminals are protected and well insulated from materials that could contact them and cause a short circuit.

### **SPECIFIC SAFETY INSTRUCTIONS FOR NICKEL CADMIUM (NiCd) OR NICKEL METAL HYDRIDE (NiMH)**

- **Do not incinerate the battery pack even if it is severely damaged or is completely worn out.** The battery pack can explode in a fire.
- **A small leakage of liquid from the battery pack cells may occur under extreme usage or temperature conditions.** This does not indicate a failure.  
However, if the outer seal is broken:
  - a. and the battery liquid gets on your skin, immediately wash with soap and water for several minutes.
  - b. and the battery liquid gets into your eyes, flush them with clean water for a minimum of 10 minutes and seek immediate

medical attention. (**Medical note:** The liquid is 25–35% solution of potassium hydroxide.)

#### SPECIFIC SAFETY INSTRUCTIONS FOR LITHIUM ION (Li-Ion)

- **Do not incinerate the battery pack even if it is severely damaged or is completely worn out.** The battery pack can explode in a fire. Toxic fumes and materials are created when lithium ion battery packs are burned.
- **If battery contents come into contact with the skin, immediately wash area with mild soap and water.** If battery liquid gets into the eye, rinse water over the open eye for 15 minutes or until irritation ceases. If medical attention is needed, the battery electrolyte is composed of a mixture of liquid organic carbonates and lithium salts.
- **Contents of opened battery cells may cause respiratory irritation.** Provide fresh air. If symptoms persist, seek medical attention.

**⚠ WARNING:** Burn hazard. Battery liquid may be flammable if exposed to spark or flame.

#### The RBRC™ Seal

The RBRC™ (Rechargeable Battery Recycling Corporation) Seal on the nickel cadmium, nickel metal hydride or lithium ion batteries (or battery packs) indicate that the costs to recycle these batteries (or battery packs) at the end of their useful life have already been paid by DEWALT. In some areas, it is illegal to place spent nickel cadmium, nickel metal hydride or lithium ion batteries in the trash or municipal solid waste stream and the RBRC program provides an environmentally conscious alternative.

RBRC™ in cooperation with DEWALT and other battery users, has established programs in the United States and Canada to facilitate the collection of spent nickel cadmium, nickel metal hydride or lithium



ion batteries. Help protect our environment and conserve natural resources by returning the spent nickel cadmium, nickel metal hydride or lithium ion batteries to an authorized DEWALT service center or to your local retailer for recycling. You may also contact your local recycling center for information on where to drop off the spent battery.

RBRC™ is a registered trademark of the Rechargeable Battery Recycling Corporation.

### Important Safety Instructions for All Battery Chargers

**SAVE THESE INSTRUCTIONS:** This manual contains important safety and operating instructions for battery chargers.

- Before using charger, read all instructions and cautionary markings on charger, battery pack, and product using battery pack.

**⚠ DANGER:** Electrocutation hazard. 120 volts are present at charging terminals. Do not probe with conductive objects. Electric shock or electrocution may result.

**⚠ WARNING:** Shock hazard. Do not allow any liquid to get inside charger. Electric shock may result.

**⚠ CAUTION:** Burn hazard. To reduce the risk of injury, charge only DEWALT rechargeable batteries. Other types of batteries may burst causing personal injury and damage.

**NOTICE:** Under certain conditions, with the charger plugged in to the power supply, the exposed charging contacts inside the charger can be shorted by foreign material. Foreign materials of a conductive nature such as, but not limited to, grinding dust, metal chips, steel wool, aluminum foil, or any buildup of metallic particles should be kept away from charger cavities. Always unplug the charger from the power supply when there is no battery pack in the cavity. Unplug charger before attempting to clean.



- **DO NOT attempt to charge the battery pack with any chargers other than the ones in this manual.** The charger and battery pack are specifically designed to work together.
- **These chargers are not intended for any uses other than charging DEWALT rechargeable batteries.** Any other uses may result in risk of fire, electric shock or electrocution.
- **Do not expose charger to rain or snow.**
- **Pull by plug rather than cord when disconnecting charger.** This will reduce risk of damage to electric plug and cord.
- **Make sure that cord is located so that it will not be stepped on, tripped over, or otherwise subjected to damage or stress.**
- **Do not use an extension cord unless it is absolutely necessary.** Use of improper extension cord could result in risk of fire, electric shock, or electrocution.
- **When operating a power tool outdoors, use an extension cord suitable for outdoor use.** Use of a cord suitable for outdoor use reduces the risk of electric shock.
- **An extension cord must have adequate wire size (AWG or American Wire Gauge) for safety.** The smaller the gauge number of the wire, the greater the capacity of the cable, that is 16 gauge has more capacity than 18 gauge. An undersized cord will cause a drop in line voltage resulting in loss of power and overheating. When using more than one extension to make up the total length, be sure each individual extension contains at least the minimum wire size. The following table shows the correct size to use depending on cord length and nameplate ampere rating. If in doubt, use the next heavier gauge. The smaller the gauge number, the heavier the cord.

Minimum Gauge for Cord Sets						
Ampere Rating		Volts	Total Length of Cord in Feet (meters)			
		120V	25 (7.6)	50 (15.2)	100 (30.5)	150 (45.7)
		240V	50 (15.2)	100 (30.5)	200 (61.0)	300 (91.4)
More Than	Not More Than	AWG				
0	6		18	16	16	14
6	10		18	16	14	12
10	12		16	16	14	12
12	16		14	12	Not Recommended	

- **Do not place any object on top of charger or place the charger on a soft surface that might block the ventilation slots and result in excessive internal heat.** Place the charger in a position away from any heat source. The charger is ventilated through slots in the top and the bottom of the housing.
- **Do not operate charger with damaged cord or plug.**
- **Do not operate charger if it has received a sharp blow, been dropped, or otherwise damaged in any way.** Take it to an authorized service center.
- **Do not disassemble charger; take it to an authorized service center when service or repair is required.** Incorrect reassembly may result in a risk of electric shock, electrocution or fire.
- **Disconnect the charger from the outlet before attempting any cleaning. This will reduce the risk of electric shock.** Removing the battery pack will not reduce this risk.
- **NEVER attempt to connect two chargers together.**
- **The charger is designed to operate on standard 120 volt household electrical power. Do not attempt to use it on any other voltage.** This does not apply to the vehicular charger.



### **HOT/COLD PACK DELAY**

Some chargers have a Hot/Cold Pack Delay feature: when the charger detects a battery that is hot, it automatically starts a Hot Pack Delay, suspending charging until the battery has cooled. After the battery has cooled, the charger automatically switches to the Pack Charging mode. This feature ensures maximum battery life. The red light flashes long, then short while in the Hot Pack Delay mode.

### **PROBLEM POWER LINE**

Some chargers have a Problem Power Line indicator. When the charger is used with some portable power sources such as generators or sources that convert DC to AC, the charger may temporarily suspend operation, **flashing the red light with two fast blinks followed by a pause**. This indicates the power source is out of limits.

### **LEAVING THE BATTERY PACK IN THE CHARGER**

The charger and battery pack can be left connected with the red light glowing indefinitely. The charger will keep the battery pack fresh and fully charged.

**NOTE:** A battery pack will slowly lose its charge when kept out of the charger. If the battery pack has not been kept on maintenance charge, it may need to be recharged before use. A battery pack may also slowly lose its charge if left in a charger that is not plugged into an appropriate AC source.

**WEAK BATTERY PACKS:** Chargers can also detect a weak battery pack. Such batteries are still usable but should not be expected to perform as much work. The charger will indicate to replace battery pack.

### **Important Charging Notes**

1. Longest life and best performance can be obtained if the battery pack is charged when the air temperature is between 65 °F and 75 °F (18 °–24 °C). DO NOT charge the battery pack in an air temperature below +40 °F (+4.5 °C), or above +105 °F (+40.5 °C). This is important and will prevent serious damage to the battery pack.
2. The charger and battery pack may become warm to touch while charging. This is a normal condition, and does not indicate a problem. To facilitate the cooling of the battery pack after use, avoid placing the charger or battery pack in a warm environment such as in a metal shed, or an uninsulated trailer.
3. If the battery pack does not charge properly:
  - a. Check operation of receptacle by plugging in a lamp or other appliance;
  - b. Check to see if receptacle is connected to a light switch which turns power off when you turn out the lights;
  - c. Move charger and battery pack to a location where the surrounding air temperature is approximately 65 °F–75 °F (18 °– 24 °C);
  - d. If charging problems persist, take the tool, battery pack and charger to your local service center.
4. The battery pack should be recharged when it fails to produce sufficient power on jobs which were easily done previously. DO NOT CONTINUE to use under these conditions. Follow the charging procedure. You may also charge a partially used pack whenever you desire with no adverse affect on the battery pack.
5. Under certain conditions, with the charger plugged into the power supply, the exposed charging contacts inside the charger can be shorted by foreign material. Foreign materials of a conductive nature such as, but not limited to, grinding dust, metal chips, steel

wool, aluminum foil, or any buildup of metallic particles should be kept away from charger cavities. Always unplug the charger from the power supply when there is no battery pack in the cavity. Unplug charger before attempting to clean.

6. Do not freeze or immerse charger in water or any other liquid.

**⚠ WARNING:** Shock hazard. Don't allow any liquid to get inside charger. Electric shock may result.

**⚠ WARNING:** Burn hazard. Never attempt to open the battery pack for any reason. If the plastic housing of the battery pack breaks or cracks, return to a service center for recycling.

### Storage Recommendations

1. The best storage place is one that is cool and dry away from direct sunlight and excess heat or cold.
2. For long storage, it is recommended to store a fully charged battery pack in a cool dry place out of the charger for optimal results.

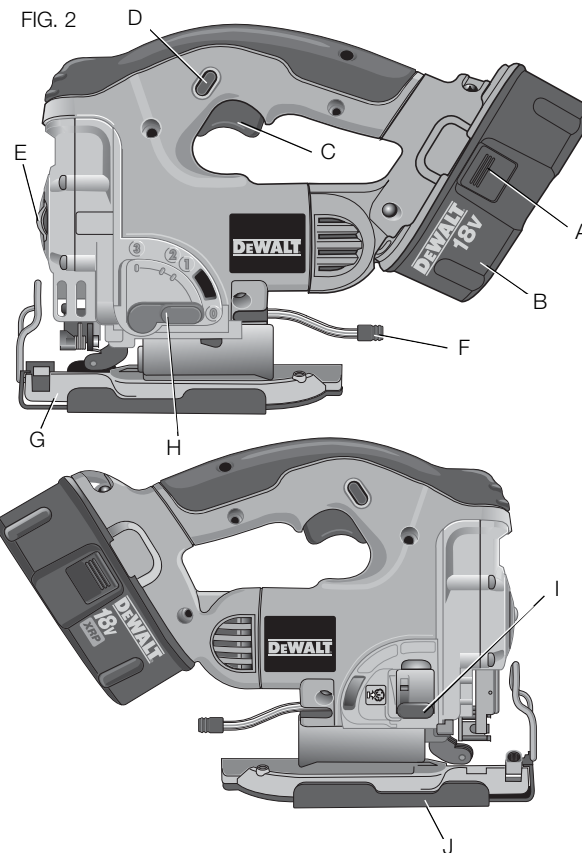
**NOTE:** Battery packs should not be stored completely depleted of charge. The battery pack will need to be recharged before use..

### SAVE THESE INSTRUCTIONS FOR FUTURE USE

### COMPONENTS (Fig. 2)

**⚠ WARNING:** Never modify the power tool or any part of it. Damage or personal injury could result.

- |                           |                         |
|---------------------------|-------------------------|
| A. Battery release button | F. Bevel lever          |
| B. Battery pack           | G. Shoe                 |
| C. Trigger switch         | H. Cutting action lever |
| D. Lock-off button        | I. Dust blower control  |
| E. Blade lever            | J. No-mar shoe cover    |



## OPERATION

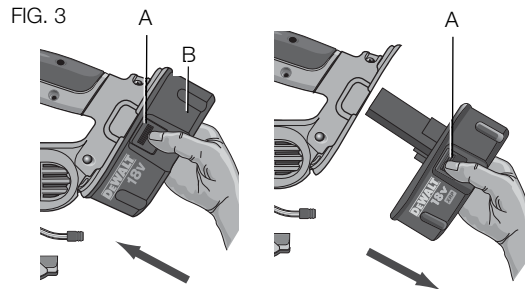
**⚠WARNING:** To reduce the risk of injury, turn unit off and disconnect it from power source before installing and removing accessories, before adjusting or when making repairs. An accidental start-up can cause injury.

### Installing and Removing the Battery Pack (Fig. 3)

**⚠CAUTION:** Lock trigger switch before removing or installing battery.

**NOTE:** For best results, make sure your battery pack is fully charged. To install the battery pack (B) into the tool handle, align the notch inside the tool's handle with the battery pack and slide the battery pack firmly into the handle until you hear the lock snap into place as shown in Figure 3.

To remove the battery pack from the tool, press the release buttons (A) and firmly pull the battery pack out of the tool handle. Insert it into the charger as described in the charger section of this manual.



### Trigger Switch (Fig. 1, 4)

To start the jig saw, squeeze the trigger switch (C).

To slow and stop the jig saw, release the trigger switch.

#### VARIABLE SPEED

As the trigger switch is pressed in, the strokes-per-minute continue to increase. As the trigger is released, the blade strokes-per-minute reduce.

The lock-off button (D) should be depressed whenever the tool is not in use to eliminate the chance of accidental starting.

FIG. 4



### Blade Installation and Removal (Fig. 5, 10)

**⚠CAUTION:** Do not touch used blades, they may be hot. Personal injury may result.

#### TO INSTALL A BLADE

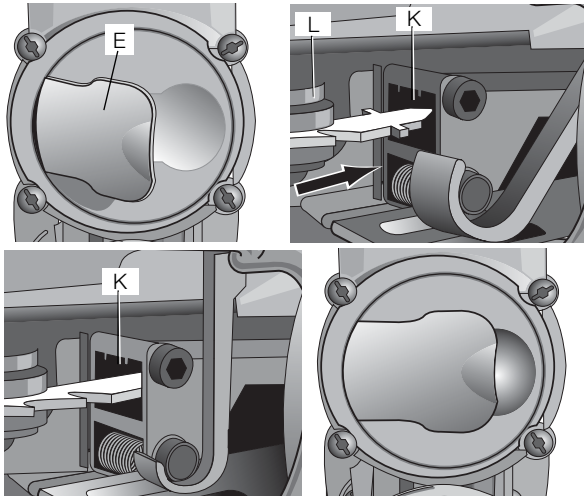
**NOTE:** This jig saw uses only T-shank jig saw blades.

**NOTE:** The DW3311 flush cutting blade is for use with DEWALT DW331, DC330, DC308 and DC318 jig saws only.

**NOTE:** When installing flush cutting blades (DW3311), the anti-splinter insert (N, Fig. 10) must be removed and the shoe must be in the 0° positive stop position.

1. Lift the keyless blade lever (E) as shown in Figure 5.

FIG. 5



2. Insert the T-shank blade into the clamp mechanism (K) while guiding the back of the blade into the groove of the guide rollers (L).
3. The T-shank should be completely inside the clamp mechanism as shown in Figure 5.
4. Release the keyless blade lever.

#### TO REMOVE A BLADE

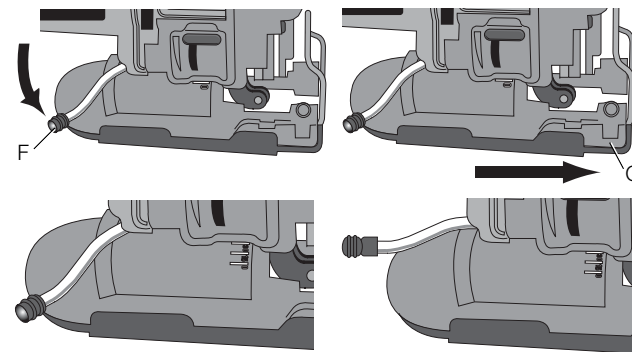
1. Lift the keyless blade lever (E).
2. With a slight shake the blade will drop out.

#### Beveling the Shoe (Fig. 6)

**To unlock the shoe,** pull the keyless bevel lever (F) to the side.

**To lock the shoe,** push the keyless bevel lever back under the body of the jigsaw.

FIG. 6



#### TO BEVEL THE SHOE

1. Unlock the shoe.
2. Slide the shoe (G) forward to release it from the 0° positive stop position.
3. The shoe can be beveled to the left or to the right and has detents at 15°, 30° and 45°. The shoe can be manually stopped at any degree between 0° and 45°.
4. Once the desired bevel angle is achieved, lock the shoe into place.

#### TO SET SHOE BACK TO 0°

1. Unlock the shoe.

2. Rotate the shoe back to 0°.
3. Slide the shoe back into the 0° positive stop position.
4. Lock the shoe.

### Cutting Action – Orbital or Straight (Fig. 7)

This jig saw is equipped with four cutting actions, three orbital and one straight. Orbital action has a more aggressive blade motion and is designed for cutting in soft materials like wood or plastic. Orbital action provides a faster cut, but with a less smooth cut across the material. In orbital action, the blade moves forward during the cutting stroke in addition to the up and down motion.

**NOTE:** Metal or hardwoods should never be cut in orbital action.

To adjust the cutting action, move the cutting action lever (H) between the four cutting positions: 0, 1, 2, and 3. Position 0 is straight cutting. Positions 1, 2, and 3 are orbital cutting. The aggressiveness of the cut increase as the lever is adjusted from one to three, with three being the most aggressive cut.

### Dust Blower (Fig. 8)

The dust blower helps clear the cutting area of debris created from the blade.

**NOTE:** When cutting metal, turn the dust blower off so cutting fluids are not blown away from the blade.

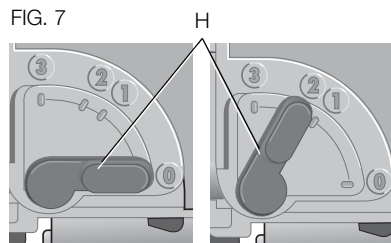


FIG. 8



**To turn the dust blower on,** slide the dust blower control (I) all the way to the top.

**To turn the dust blower off,** slide the dust blower control all the way to the bottom.

### Removeable No-Mar Shoe Cover (Fig. 9)

The no-mar shoe cover (J) should be used when cutting surfaces that scratch easily, such as laminate, veneer, or paint.

To attach no-mar shoe cover, place the front of the aluminum shoe (G) into the front of the no-mar shoe cover (J) and lower the jig saw. The no-mar shoe will click securely onto the rear of aluminum shoe.

To remove no-mar shoe cover, grasp the no-mar shoe cover from the bottom; holding onto the two rear tabs (M) remove the no-mar shoe cover.

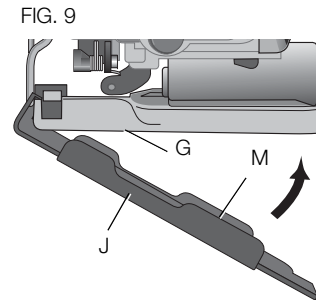
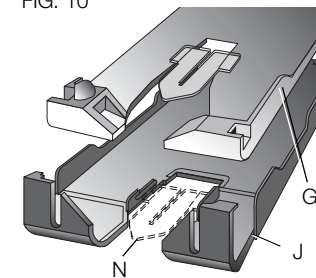


FIG. 10

### Anti-Splinter Insert (Fig. 10)

**NOTE:** Do not use the anti-splinter insert with the flush cutting blade.

The anti-splinter insert (N) should be used when trying to minimize tear-out, especially when cutting veneer, laminate, or finished surfaces, such as paint. The anti-splinter insert should be installed into the no-mar shoe cover (J). If the no-mar cover is not used, install anti-splinter insert into shoe (G).



English

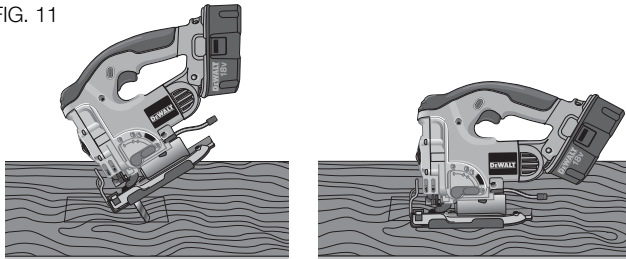
## Cutting

**⚠ WARNING:** The jig saw should not be operated with the shoe removed or serious personal injury may result.

### POCKET CUTTING (FIG. 11)

A pocket cut is an easy method of making an inside cut. The saw can be inserted directly into a panel or board without first drilling a lead or pilot hole. In pocket cutting, measure the surface to be cut and mark clearly with a pencil. Next tip the saw forward until the front end of the shoe sits firmly on the work surface and the blade clears the work through its full stroke. Switch the tool on and allow it to attain maximum speed. Grip the saw firmly and lower the back edge of tool slowly until the blade reaches its complete depth. Hold the shoe flat against the wood and begin cutting. Do not remove blade from cut while it is still moving. Blade must come to a complete stop.

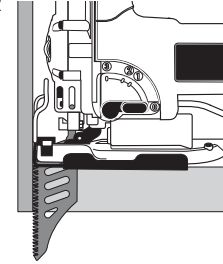
FIG. 11



### FLUSH CUTTING (FIG. 12)

A flush cut is necessary when finishing off cuts up to a wall or an obstacle, such as back-splash. One of the easiest ways to accomplish the flush cut is to use a flush cutting blade (DW3311). The flush cutting blade provides the reach necessary to cut right up to the front edge of the jig saw shoe. Remove the anti-splinter insert and return the shoe to the 0° positive stop position before installing and using the flush cutting blade. For the best cut quality the flush cutting blade should be used in the 0 or 1 orbital position. The flush cutting blade should not be used to start the cut because the flush cutting blade prevents the shoe from being supported by the work surface. Use wood cutting practices explained below.

FIG. 12



### WOOD CUTTING

Support the workpiece adequately at all times. Use the higher speed setting for cutting wood. Do not attempt to turn the tool on when blade is against material to be cut. This could stall the motor. Place the front of shoe on the material to be cut and hold the jig saw shoe firmly against the wood while cutting. Don't force the tool; let the blade cut at its own speed. When the cut is complete, turn the jig saw off. Let blade come to a complete stop and then lay the saw aside before loosening the work.



## METAL CUTTING

In cutting thin gauge sheet metals, it is best to clamp wood to the bottom of sheet metal; this will insure a clean cut without the risk of vibration or tearing of metal. Always remember to use a finer blade for ferrous metals (for those that have a high iron content); and use a coarser blade for non-ferrous metals (those that do not have an iron content). Use a high speed setting for cutting soft metals (aluminum, copper, brass, mild steel, galvanized pipe, conduit sheet metal, etc.). Use lower speed to cut plastics, tile, laminate, hard metals, and cast iron.

## MAINTENANCE

**⚠ WARNING:** *To reduce the risk of injury, turn unit off and disconnect it from power source before installing and removing accessories, before adjusting or when making repairs. An accidental start-up can cause injury.*

### Cleaning

**⚠ WARNING:** *Blow dirt and dust out of all air vents with clean, dry air at least once a week. To minimize the risk of eye injury, always wear ANSI Z87.1 approved eye protection when performing this.*

**⚠ WARNING:** *Never use solvents or other harsh chemicals for cleaning the non-metallic parts of the tool. These chemicals may weaken the plastic materials used in these parts. Use a cloth dampened only with water and mild soap. Never let any liquid get inside the tool; never immerse any part of the tool into a liquid.*

## CHARGER CLEANING INSTRUCTIONS

**⚠ WARNING:** *Shock hazard. Disconnect the charger from the AC outlet before cleaning. Dirt and grease may be removed from the exterior of the charger using a cloth or soft non-metallic brush. Do not use water or any cleaning solutions.*

## Accessories

**⚠ WARNING:** *Since accessories, other than those offered by DEWALT, have not been tested with this product, use of such accessories with this tool could be hazardous. To reduce the risk of injury, only DEWALT recommended accessories should be used with this product.*

Recommended accessories for use with your tool are available at extra cost from your local dealer or authorized service center. If you need assistance in locating any accessory, please contact DEWALT Industrial Tool Co., 701 East Joppa Road, Baltimore, MD 21286, call 1-800-4-DEWALT (1-800-433-9258) or visit our website: [www.dewalt.com](http://www.dewalt.com).

**NOTE:** The DW3311 flush cutting blade is for use with DEWALT DW331, DC330, DC308 and DC318 jig saws only.

## Repairs

The charger and battery pack are not serviceable.

To assure product SAFETY and RELIABILITY, repairs, maintenance and adjustment (including brush inspection and replacement) should be performed by a DEWALT factory service center, a DEWALT authorized service center or other qualified service personnel. Always use identical replacement parts.

## Register Online

Thank you for your purchase. Register your product now for:

- **WARRANTY SERVICE:** Registering your product will help you obtain more efficient warranty service in case there is a problem with your product.
- **CONFIRMATION OF OWNERSHIP:** In case of an insurance loss, such as fire, flood or theft, your registration of ownership will serve as your proof of purchase.
- **FOR YOUR SAFETY:** Registering your product will allow us to contact you in the unlikely event a safety notification is required under the Federal Consumer Safety Act.

Register online at [www.dewalt.com/register](http://www.dewalt.com/register).

## Three Year Limited Warranty

DEWALT will repair, without charge, any defects due to faulty materials or workmanship for three years from the date of purchase. This warranty does not cover part failure due to normal wear or tool abuse. For further detail of warranty coverage and warranty repair information, visit [www.dewalt.com](http://www.dewalt.com) or call 1-800-4-DEWALT (1-800-433-9258). This warranty does not apply to accessories or damage caused where repairs have been made or attempted by others. This warranty gives you specific legal rights and you may have other rights which vary in certain states or provinces.

In addition to the warranty, DEWALT tools are covered by our:

### 1 YEAR FREE SERVICE

DEWALT will maintain the tool and replace worn parts caused by normal use, for free, any time during the first year after purchase.

### 2 YEARS FREE SERVICE ON DEWALT BATTERY PACKS

DC9071, DC9091, DC9096, DC9182, DC9280, DC9360, DC9180, DCB120, DCB127, DCB201, DCB203 and DCB207

### 3 YEARS FREE SERVICE ON DEWALT BATTERY PACKS

DCB200, DCB204, DCB205

#### DEWALT BATTERY PACKS

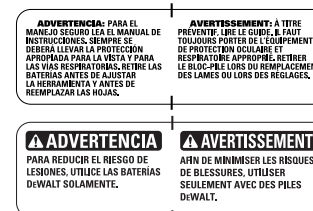
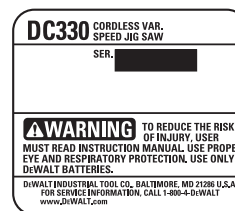
Product warranty voided if the battery pack is tampered with in any way. DEWALT is not responsible for any injury caused by tampering and may prosecute warranty fraud to the fullest extent permitted by law.

### 90 DAY MONEY BACK GUARANTEE

If you are not completely satisfied with the performance of your DEWALT Power Tool, Laser, or Nailer for any reason, you can return it within 90 days from the date of purchase with a receipt for a full refund – no questions asked.

**LATIN AMERICA:** This warranty does not apply to products sold in Latin America. For products sold in Latin America, see country specific warranty information contained in the packaging, call the local company or see website for warranty information.

**FREE WARNING LABEL REPLACEMENT:** If your warning labels become illegible or are missing, call 1-800-4-DEWALT (1-800-433-9258) for a free replacement.



### **Définitions : lignes directrices en matière de sécurité**

Les définitions ci-dessous décrivent le niveau de danger pour chaque mot-indicateur employé. Lire le mode d'emploi et porter une attention particulière à ces symboles.

**⚠ DANGER** : indique une situation dangereuse imminente qui, si elle n'est pas évitée, **entraînera la mort ou des blessures graves**.

**⚠ AVERTISSEMENT** : indique une situation potentiellement dangereuse qui, si elle n'est pas évitée, **pourrait entraîner la mort ou des blessures graves**.

**⚠ ATTENTION** : indique une situation potentiellement dangereuse qui, si elle n'est pas évitée, **pourrait entraîner des blessures légères ou modérées**.

**AVIS** : indique une pratique ne posant **aucun risque de dommages corporels** mais qui par contre, si rien n'est fait pour l'éviter, **pourrait poser des risques de dommages matériels**.

POUR TOUTE QUESTION OU REMARQUE AU SUJET DE CET OUTIL OU DE TOUT AUTRE OUTIL DEWALT, COMPOSEZ LE NUMÉRO SANS FRAIS : **1-800-4-DEWALT (1-800-433-9258)**.



**AVERTISSEMENT** : afin de réduire le risque de blessures, lire le mode d'emploi de l'outil.

### **Avertissements de sécurité généraux pour les outils électriques**



**AVERTISSEMENT!** lire tous les avertissements de sécurité et toutes les directives. Le non-respect des avertissements et des directives pourrait se solder par un choc électrique, un incendie et/ou une blessure grave.

### **CONSERVER TOUS LES AVERTISSEMENTS ET TOUTES LES DIRECTIVES POUR UN USAGE ULTÉRIEUR**

Le terme « outil électrique » cité dans les avertissements se rapporte à votre outil électrique à alimentation sur secteur (avec fil) ou par piles (sans fil).

#### **1) SÉCURITÉ DU LIEU DE TRAVAIL**

- a) **Tenir l'aire de travail propre et bien éclairée.** Les lieux encombrés ou sombres sont propices aux accidents.
- b) **Ne pas faire fonctionner d'outils électriques dans un milieu déflagrant, tel qu'en présence de liquides, de gaz ou de poussières inflammables.** Les outils électriques produisent des étincelles qui pourraient enflammer la poussière ou les vapeurs.
- c) **Éloigner les enfants et les personnes à proximité pendant l'utilisation d'un outil électrique.** Une distraction pourrait en faire perdre la maîtrise à l'utilisateur.

#### **2) SÉCURITÉ EN MATIÈRE D'ÉLECTRICITÉ**

- a) **Les fiches des outils électriques doivent correspondre à la prise. Ne jamais modifier la fiche d'aucune façon. Ne jamais utiliser de fiche d'adaptation avec un outil électrique mis à la terre.** Le risque de choc électrique sera réduit par l'utilisation de fiches non modifiées correspondant à la prise.

- b) **Éviter tout contact physique avec des surfaces mises à la terre comme des tuyaux, des radiateurs, des cuisinières et des réfrigérateurs.** Le risque de choc électrique est plus élevé si votre corps est mis à la terre.
- c) **Ne pas exposer les outils électriques à la pluie ou à l'humidité.** La pénétration de l'eau dans un outil électrique augmente le risque de choc électrique.
- d) **Ne pas utiliser le cordon de façon abusive. Ne jamais utiliser le cordon pour transporter, tirer ou débrancher un outil électrique. Tenir le cordon éloigné de la chaleur, de l'huile, des bords tranchants et des pièces mobiles.** Les cordons endommagés ou enchevêtrés augmentent les risques de choc électrique.
- e) **Pour l'utilisation d'un outil électrique à l'extérieur, se servir d'une rallonge convenant à cette application.** L'utilisation d'une rallonge conçue pour l'extérieur réduira les risques de choc électrique.
- f) **S'il est impossible d'éviter l'utilisation d'un outil électrique dans un endroit humide, brancher l'outil dans une prise ou sur un circuit d'alimentation dotés d'un disjoncteur de fuite à la terre (GFCI).** L'utilisation de ce type de disjoncteur réduit les risques de choc électrique.
- 3) **SÉCURITÉ PERSONNELLE**
- a) **Être vigilant, surveiller le travail effectué et faire preuve de jugement lorsqu'un outil électrique est utilisé. Ne pas utiliser d'outil électrique en cas de fatigue ou sous l'influence de drogues, d'alcool ou de médicaments.** Un simple moment d'inattention en utilisant un outil électrique peut entraîner des blessures corporelles graves.
- b) **Utiliser des équipements de protection individuelle. Toujours porter une protection oculaire.** L'utilisation d'équipements de protection comme un masque antipoussière, des chaussures antidérapantes, un casque de sécurité ou des protecteurs auditifs lorsque la situation le requiert réduira les risques de blessures corporelles.
- c) **Empêcher les démarrages intempestifs. S'assurer que l'interrupteur se trouve à la position d'arrêt avant de relier l'outil à une source d'alimentation et/ou d'insérer un bloc-piles, de ramasser ou de transporter l'outil.** Transporter un outil électrique alors que le doigt repose sur l'interrupteur ou brancher un outil électrique dont l'interrupteur est à la position de marche risque de provoquer un accident.
- d) **Retirer toute clé de réglage ou clé avant de démarrer l'outil.** Une clé ou une clé de réglage attachée à une partie pivotante de l'outil électrique peut provoquer des blessures corporelles.
- e) **Ne pas trop tendre les bras. Conserver son équilibre en tout temps.** Cela permet de mieux maîtriser l'outil électrique dans les situations imprévues.
- f) **S'habiller de manière appropriée. Ne pas porter de vêtements amples ni de bijoux. Garder les cheveux, les vêtements et les gants à l'écart des pièces mobiles.** Les vêtements amples, les bijoux ou les cheveux longs risquent de rester coincés dans les pièces mobiles.
- g) **Si des composants sont fournis pour le raccordement de dispositifs de dépoussiérage et de ramassage, s'assurer que ceux-ci sont bien raccordés et utilisés.** L'utilisation d'un dispositif de dépoussiérage peut réduire les dangers engendrés par les poussières.
- 4) **UTILISATION ET ENTRETIEN D'UN OUTIL ÉLECTRIQUE**
- a) **Ne pas forcer un outil électrique. Utiliser l'outil électrique approprié à l'application.** L'outil électrique approprié effectuera un meilleur travail, de façon plus sûre et à la vitesse pour laquelle il a été conçu.

- b) **Ne pas utiliser un outil électrique dont l'interrupteur est défectueux.** Tout outil électrique dont l'interrupteur est défectueux est dangereux et doit être réparé.
- c) **Débrancher la fiche de la source d'alimentation et/ou du bloc-piles de l'outil électrique avant de faire tout réglage ou changement d'accessoire ou avant de ranger l'outil.** Ces mesures préventives réduisent les risques de démarrage accidentel de l'outil électrique.
- d) **Ranger les outils électriques hors de la portée des enfants et ne permettre à aucune personne n'étant pas familière avec un outil électrique ou son mode d'emploi d'utiliser cet outil.** Les outils électriques deviennent dangereux entre les mains d'utilisateurs inexpérimentés.
- e) **Entretien des outils électriques. Vérifier si les pièces mobiles sont mal alignées ou coincées, si des pièces sont brisées ou présentent toute autre condition susceptible de nuire au bon fonctionnement de l'outil électrique. En cas de dommage, faire réparer l'outil électrique avant toute nouvelle utilisation.** Beaucoup d'accidents sont causés par des outils électriques mal entretenus.
- f) **S'assurer que les outils de coupe sont aiguisés et propres.** Les outils de coupe bien entretenus et affûtés sont moins susceptibles de se coincer et sont plus faciles à maîtriser.
- g) **Utiliser l'outil électrique, les accessoires, les forets, etc. conformément aux présentes directives en tenant compte des conditions de travail et du travail à effectuer.** L'utilisation d'un outil électrique pour toute opération autre que celle pour laquelle il a été conçu est dangereuse.
- 5) UTILISATION ET ENTRETIEN DU BLOC-PILES**
- a) **Ne recharger l'outil qu'au moyen du chargeur précisé par le fabricant.** L'utilisation d'un chargeur qui convient à un type de bloc-piles risque de provoquer un incendie s'il est utilisé avec un autre type de bloc-piles.
- b) **Utiliser les outils électriques uniquement avec les blocs-piles conçus à cet effet.** L'utilisation de tout autre bloc-piles risque de causer des blessures ou un incendie.
- c) **Lorsque le bloc-piles n'est pas utilisé, le tenir éloigné des objets métalliques, notamment des trombones, de la monnaie, des clés, des clous, des vis ou autres petits objets métalliques qui peuvent établir une connexion entre les deux bornes.** Le court-circuit des bornes du bloc-piles risque de provoquer des brûlures ou un incendie.
- d) **En cas d'utilisation abusive, le liquide peut gicler hors du bloc-piles; éviter tout contact avec ce liquide. Si un contact accidentel se produit, laver à grande eau. Si le liquide entre en contact avec les yeux, obtenir également des soins médicaux.** Le liquide qui giclé hors du bloc-piles peut provoquer des irritations ou des brûlures.
- 6) RÉPARATION**
- a) **Faire réparer l'outil électrique par un réparateur professionnel en n'utilisant que des pièces de rechange identiques.** Cela permettra de maintenir une utilisation sécuritaire de l'outil électrique.
- Règles de sécurité additionnelles particulières concernant les scies sauteuses**
- **Tenir l'outil par les surfaces isolées prévues à cet effet pendant toute utilisation où l'organe de coupe pourrait entrer en contact avec des fils électriques cachés.** Tout contact de l'organe de coupe avec un fil sous tension mettra les parties métalliques exposées de l'outil sous tension et électrocutera l'utilisateur.

- **Utilisez des serres de fixation ou un autre dispositif de fixation permettant de soutenir et de retenir la pièce sur une plate-forme stable.** Tenir la pièce avec la main ou contre son corps n'est pas suffisamment stable et risque de provoquer une perte de maîtrise de l'outil.
- **Attendre que le moteur s'arrête complètement avant de retirer la lame de l'entaille (la fente créée par la coupe).** Une lame qui bouge peut rebondir contre la pièce et se briser ou endommager la pièce ou encore, faire perdre la maîtrise de l'outil et causer des risques de blessure.
- **Garder des mains loin des parties en mouvement.** Ne jamais placer vos mains près du secteur de coupe.
- **Garder des mains loin de secteur de découpage.** En sciant, jamais la portée au-dessous de ou derrière le matériel étant coupé pour n'importe quelle raison.
- **Ne tenez jamais le travail dans votre main, recouvrement ou contre des parties de votre corps en sciant.** La scie ma glissade et la lame a pu entrer en contact avec le corps causant des dommages.
- **Garder les poignées propres, sèches et exemptes de toute trace d'huile et de graisse** afin d'éviter de perdre la maîtrise de l'outil.
- **Maintenir les lames bien aiguisées,** car les lames usées peuvent faire dévier la scie ou faire caler le moteur lorsqu'on exerce trop de pression sur l'outil.
- **Utiliser la prudence supplémentaire en coupant des fraiss généraux et paie l'attention particulière à au-dessus les fils qui peuvent être cachés de la vue.** Prévoir le chemin de branches et le débris en baisse en avance.
- **Bien nettoyer l'outil périodiquement, surtout après l'avoir utilisé longuement,** car la poussière et les particules métalliques

tendent à s'accumuler sur les surfaces internes et peuvent entraîner des risques de choc électrique.

- **Ne pas utiliser cet outil pendant des périodes prolongées.** Les vibrations causées par l'action de fonctionnement de l'outil peuvent blesser en permanence les doigts, les mains et les bras. Porter des gants pour amortir les vibrations, faire des pauses fréquentes et limiter le temps d'utilisation quotidien de l'outil.
- **Prendre des précautions à proximité des événements, car ils cachent des pièces mobiles.** Vêtements amples, bijoux ou cheveux longs risquent de rester coincés dans ces pièces mobiles.

⚠ **AVERTISSEMENT** : porter **SYSTEMATIQUEMENT** des lunettes de protection. Les lunettes courantes NE sont PAS des lunettes de protection. Utiliser aussi un masque antipoussières si la découpe doit en produire beaucoup. **PORTER SYSTEMATIQUEMENT UN ÉQUIPEMENT DE SÉCURITÉ HOMOLOGUÉ** :

- Protection oculaire ANSI Z87.1 (CAN/CSA Z94.3) ;
- Protection auditive ANSI S12.6 (S3.19) ;
- Protection des voies respiratoires NIOSH/OSHA/MSHA.

⚠ **AVERTISSEMENT** : les scies, meules, ponceuses, perceuses ou autres outils de construction peuvent produire des poussières contenant des produits chimiques reconnus par l'État californien pour causer cancers, malformations congénitales ou être nocifs au système reproducteur. Parmi ces produits chimiques, on retrouve :

- Le plomb dans les peintures à base de plomb ;
- La silice cristallisée dans les briques et le ciment, ou autres produits de maçonnerie ; et
- L'arsenic et le chrome dans le bois ayant subi un traitement chimique.

Le risque associé à de telles expositions varie selon la fréquence à laquelle on effectue ces travaux. Pour réduire toute exposition à ces produits : travailler dans un endroit bien aéré, en utilisant du matériel

de sécurité homologué, tel un masque antipoussières spécialement conçu pour filtrer les particules microscopiques.

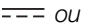
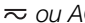

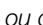


- **Limiter toute exposition prolongée avec les poussières provenant du ponçage, sciage, meulage, perçage ou toute autre activité de construction. Porter des vêtements de protection et nettoyer à l'eau savonneuse les parties du corps exposées.** Le fait de laisser la poussière pénétrer dans la bouche, les yeux ou la peau peut favoriser l'absorption de produits chimiques dangereux.

**⚠ AVERTISSEMENT :** cet outil peut produire et/ou répandre de la poussière susceptible de causer des dommages sérieux et permanents au système respiratoire. Utiliser systématiquement un appareil de protection des voies respiratoires homologué par le NIOSH ou l'OSHA. Diriger les particules dans le sens opposé au visage et au corps.

**⚠ AVERTISSEMENT :** pendant l'utilisation, porter systématiquement une protection auditive individuelle adéquate homologuée ANSI S12.6 (S3.19). Sous certaines conditions et suivant la durée d'utilisation, le bruit émanant de ce produit pourrait contribuer à une perte de l'acuité auditive.

**⚠ ATTENTION :** après utilisation, ranger l'outil sur son côté, sur une surface stable, là où il ne pourra ni faire trébucher ni faire chuter quelqu'un. Certains outils équipés d'un large bloc-piles peuvent tenir à la verticale sur celui-ci, mais manquent alors de stabilité.

- L'étiquette apposée sur votre outil peut inclure les symboles suivants. Les symboles et leur définition sont indiqués ci-après :  
 V..... volts                      A..... ampères  
 Hz..... hertz                      W..... watts  
 min ..... minutes                ~ ou AC..... courant alternatif

 ou DC... courant continu	 ou AC/DC... courant alternatif
 ..... classe I fabrication	 ..... borne de terre
(mis à la terre)	$n_0$ ..... vitesse à vide
 ..... fabrication	$n$ ..... vitesse nominale
classe II (double isolation)	 ..... symbole d'avertissement
.../min ..... par minute	IPM..... impacts par minute
	SPM (FPM) ..... fréquence par minute
BPM..... battements par minute	r/min ..... tours par minute
sfpm ..... pieds linéaires par minute (plpm)	

## Consignes de sécurité importantes propres à tous les blocs-piles

Pour commander un bloc-piles de rechange, s'assurer d'inclure son numéro de catalogue et sa tension. Consulter le tableau figurant à la fin du présent mode d'emploi pour connaître la compatibilité des chargeurs et des blocs-piles.

Le bloc-piles n'est pas totalement chargé d'usine. Avant d'utiliser le bloc-piles et le chargeur, lire les consignes de sécurité ci-dessous. Puis suivre la procédure de charge indiquée.

### LIRE TOUTES LES CONSIGNES

- **Ne pas recharger ou utiliser un bloc-piles en milieu déflagrant, en présence, par exemple, de poussières, gaz ou liquides inflammables.** Le fait d'insérer ou retirer un bloc-piles de son chargeur pourrait causer l'inflammation de poussières ou d'émanations.



- **NE JAMAIS forcer l'insertion d'un bloc-piles dans un chargeur. NE modifier un bloc-piles d'AUCUNE façon pour le faire rentrer dans un chargeur incompatible, car il pourrait se briser et causer des dommages corporels graves.** Consulter le tableau en dernière page de ce manuel pour connaître les compatibilités entre chargeurs et blocs-piles.
- Recharger les blocs-piles exclusivement dans des chargeurs DEWALT.
- **NE PAS** éclabousser le bloc-piles ou l'immerger dans l'eau ou dans tout autre liquide.
- **Ne pas entreposer ou utiliser l'appareil et le bloc-piles en présence de températures ambiantes pouvant excéder 40 °C (105 °F) (comme dans des hangars ou des bâtiments métalliques l'été).**

**⚠ DANGER :** risque d'électrocution. Ne jamais ouvrir le bloc-piles pour quelque raison que ce soit. Si le boîtier du bloc-piles est fissuré ou endommagé, ne pas l'insérer dans un chargeur. Ne pas écraser, faire tomber ou endommager le bloc-piles. Ne pas utiliser un bloc-piles ou un chargeur qui a reçu un choc violent, qui est tombé, a été écrasé ou est endommagé de quelque manière que ce soit (p. ex. percé par un clou, frappé d'un coup de marteau, piétiné). En effet, il y a risque de choc électrique ou d'électrocution. Les blocs-piles endommagés doivent être envoyés au centre de réparation pour être recyclés.

**REMARQUE :** un boîtier spécial et des capuchons de sécurité sont fournis avec le bloc-piles pour utilisation chaque fois qu'on le retire de l'outil ou du chargeur pour le ranger ou le transporter. Enlever le capuchon avant de remettre le bloc-piles dans le chargeur ou l'outil.



**⚠ AVERTISSEMENT :** risque d'incendie. Ne pas ranger ni ne transporter les piles de manière à ce que des objets métalliques puissent entrer en contact avec les bornes

**exposées des piles.** On ne doit pas mettre, par exemple, le bloc-piles sans capuchon dans un tablier, une poche, une boîte à outils, une boîte de nécessaire de produit, un tiroir, etc. avec des clous, des vis, des clés, etc. **Le transport des piles peut causer un incendie si les bornes des piles entrent en contact involontairement avec des matières conductrices comme des clés, de la monnaie, des outils manuels et d'autres éléments semblables.** La Hazardous Material Regulations (réglementation sur les produits dangereux) du département américain des transports interdit en fait le transport des blocs-piles pour le commerce et dans les avions (c.-à-d. dans des valises et les bagages à main) À MOINS qu'ils ne soient bien protégés contre les courts-circuits. Pour le transport de piles individuelles, on doit donc s'assurer que les bornes sont protégées et bien isolées contre toute matière pouvant entrer en contact avec elles et provoquer un court-circuit.

#### **DIRECTIVES DE SÉCURITÉ SPÉCIFIQUES AUX PILES DE NICKEL-CADMIUM (NICD) OU À L'HYDRURE MÉTALLIQUE DE NICKEL (NIMH)**

- **Ne pas incinérer le bloc-piles, même s'il est très endommagé ou complètement usé,** car il pourrait exploser au contact de flammes.
- **Une petite fuite de liquide peut se produire dans les cellules du bloc-piles en cas d'utilisation extrême ou de conditions de température.** Cela n'indique pas de défaillance. Toutefois, si le joint d'étanchéité extérieur est rompu :
  - a. et que le liquide entre en contact avec la peau, laver rapidement la zone touchée au savon et à l'eau pendant plusieurs minutes.
  - b. si le liquide du bloc-piles entre en contact avec les yeux, les rincer abondamment à l'eau propre, pendant un minimum de 10 minutes, et consulter immédiatement un médecin. (**Note médicale :** le liquide est composé d'une solution comprenant de 25 % à 35 % d'hydroxyde de potassium).



## DIRECTIVES DE SÉCURITÉ SPÉCIFIQUES POUR LES PILES AU LITHIUM-ION (Li-Ion)

- **Ne pas incinérer le bloc-piles même s'il est sévèrement endommagé ou complètement usagé**, car il pourrait exploser et causer un incendie. Pendant l'incinération des blocs-piles au lithium-ion, des vapeurs et matières toxiques sont dégagées.
- **En cas de contact du liquide de la pile avec la peau, rincer immédiatement au savon doux et à l'eau.** En cas de contact oculaire, rincer l'œil ouvert à l'eau claire une quinzaine de minutes ou jusqu'à ce que l'irritation cesse. Si des soins médicaux s'avéraient nécessaires, noter que l'électrolyte de la pile est composé d'un mélange de carbonates organiques liquides et de sels de lithium.
- **Le contenu des cellules d'une pile ouverte peut causer une irritation respiratoire.** En cas d'inhalation, exposer l'individu à l'air libre. Si les symptômes persistent, consulter un médecin.

**⚠AVERTISSEMENT** : risques de brûlure. Le liquide de la pile peut s'enflammer s'il est exposé à des étincelles ou à une flamme.

### Le sceau SRPRC<sup>MC</sup>

Le sceau SRPRC<sup>MC</sup> (Société de recyclage des piles rechargeables au Canada) apposé sur une pile au nickel-cadmium, à hydrure métallique de nickel ou au lithium-ion (ou un bloc-piles) indique que les coûts de recyclage de ces derniers en fin d'utilisation ont déjà été réglés par DEWALT. Dans certaines régions, la mise au rebut ou aux ordures municipales des piles au nickel-cadmium, à l'hydrure métallique de nickel ou au lithium-ion, est illégale ; le programme de SRPRC constitue donc une solution pratique et écologique.

La SRPRC<sup>MC</sup>, en collaboration avec DEWALT et d'autres utilisateurs de piles, a mis sur pied des programmes aux États-Unis et au



Canada pour faciliter la collecte des piles au nickel-cadmium, à l'hydrure métallique de nickel ou au lithium-ion usagées. Aidez-nous à protéger l'environnement et à conserver nos ressources naturelles en renvoyant les piles au nickel-cadmium, à l'hydrure métallique de nickel ou au lithium-ion usagées à un centre de réparation autorisé DEWALT ou chez votre détaillant afin qu'elles y soient recyclées. On peut en outre se renseigner auprès d'un centre de recyclage local pour connaître d'autres sites les acceptant. SRPRC<sup>MC</sup> est une marque déposée de la Société de recyclage des piles rechargeables au Canada.

### Directives de sécurité importantes propres à tous les chargeurs de piles

**CONSERVER CES INSTRUCTIONS** : ce manuel contient des directives de sécurité et d'utilisation importantes propres aux chargeurs de piles.

- Avant d'utiliser le chargeur, lire toute consigne et tout avertissement apposés sur le chargeur, le bloc-piles et le produit utilisant le bloc-piles.

**⚠DANGER** : risque d'électrocution. Les bornes de charge présentent une tension de 120 volts. Ne pas sonder les bornes avec des objets conducteurs. En effet, il y a risque de choc électrique ou d'électrocution.

**⚠AVERTISSEMENT** : risques de chocs électriques. Ne laisser aucun liquide pénétrer dans le chargeur, des chocs électriques pourraient en résulter.

**⚠ATTENTION** : risques de brûlure. Pour réduire tout risque de dommages corporels, ne recharger que des piles rechargeables DEWALT. Tout autre type de piles pourrait exploser et causer des dommages corporels et matériels.

**AVIS :** sous certaines conditions, lorsque les contacts de chargement exposés à l'intérieur du chargeur est connecté au bloc d'alimentation, des matériaux étrangers pourraient court-circuiter le chargeur. Les corps étrangers conducteurs tels que (mais pas limité à) poussières de rectification, débris métalliques, laine d'acier, feuilles d'aluminium, ou toute accumulation de particules métalliques doivent être maintenus à distance des orifices du chargeur. Débrancher systématiquement le chargeur lorsque le bloc-piles n'y est pas inséré. Débrancher systématiquement le chargeur avant tout entretien.

- **NE PAS tenter de charger de bloc-piles avec des chargeurs autres que ceux décrits dans ce manuel.** Le chargeur et son bloc-piles ont été conçus tout spécialement pour fonctionner ensemble.
- **Ces chargeurs n'ont pas été conçus pour une utilisation autre que recharger les blocs-piles rechargeables DEWALT.** Toute autre utilisation comporte des risques d'incendie, de chocs électriques ou d'électrocution.
- **Protéger le chargeur de la pluie ou de la neige.**
- **Tirer sur la fiche plutôt que sur le cordon pour débrancher le chargeur.** Cela permet de réduire les risques d'endommager la fiche ou le cordon d'alimentation.
- **S'assurer que le cordon est protégé de manière à ce que personne ne marche ni ne trébuche dessus, ou à ce qu'il ne soit ni endommagé ni soumis à aucune tension.**
- **N'utiliser une rallonge qu'en cas de nécessité absolue.** L'utilisation d'une rallonge inadéquate comporte des risques d'incendie, de chocs électriques ou d'électrocution.
- **Lors de l'utilisation d'un outil électrique à l'extérieur, utiliser une rallonge conçue à cet effet.** L'utilisation d'une rallonge conçue pour l'extérieur réduit les risques de chocs électriques.

- **Pour la sécurité de l'utilisateur, utiliser une rallonge de calibre adéquat (AWG, American Wire Gauge [calibrage américain normalisé des fils électriques]).** Plus le calibre est petit, et plus sa capacité est grande. Un calibre 16, par exemple, a une capacité supérieure à un calibre 18. L'usage d'une rallonge de calibre insuffisant causera une chute de tension qui entraînera perte de puissance et surchauffe. Si plus d'une rallonge est utilisée pour obtenir une certaine longueur, s'assurer que chaque rallonge présente au moins le calibre de fil minimum. Le tableau ci-dessous illustre les calibres à utiliser selon la longueur de rallonge et l'intensité nominale indiquée sur la plaque signalétique. En cas de doute, utiliser le calibre suivant. Plus le calibre est petit, plus la rallonge peut supporter de courant.

Calibres minimaux des rallonges						
Intensité (en ampères)		volts	Longueur totale de cordon en mètres (pieds)			
		120 V	7,6 (25)	15,2 (50)	30,5 (100)	45,7 (150)
		240 V	15,2 (50)	30,5 (100)	61,0 (200)	91,4 (300)
Supérieur à	Inférieur à	AWG				
0	6		18	16	16	14
6	10		18	16	14	12
10	12		16	16	14	12
12	16		14	12	Non recommandé	

- **Ne poser aucun objet sur le chargeur. Ne pas mettre le chargeur sur une surface molle qui pourrait en bloquer la ventilation et provoquer une surchauffe interne.** Éloigner le chargeur de toute source de chaleur. Le chargeur dispose d'orifices d'aération sur le dessus et le dessous du boîtier.

- **Ne pas le faire fonctionner avec un cordon d'alimentation ou une fiche endommagée.**
- **Ne pas utiliser le chargeur s'il a reçu un coup, fait une chute ou a été endommagé de quelque façon que ce soit.** Le ramener dans un centre de réparation agréé.
- **Ne pas démonter le chargeur. Pour tout service ou réparation, le rapporter dans un centre de réparation agréé.** Le fait de le réassembler de façon incorrecte comporte des risques de chocs électriques, d'électrocution et d'incendie.
- **Débrancher le chargeur du secteur avant tout entretien. Cela réduira tout risque de chocs électriques.** Le fait de retirer le bloc-piles ne réduira pas ces risques.
- **NE JAMAIS tenter de connecter deux chargeurs ensemble.**
- **Le chargeur a été conçu pour être alimenté en courant électrique domestique standard de 120 volts. Ne pas tenter de l'utiliser avec toute autre tension.** Cela ne s'applique pas aux chargeurs de postes mobiles.

### Utilisation du mode Tune-Up™ automatique

Le mode de Tune-Up™ automatique égalise ou équilibre chaque cellule du bloc-piles pour lui permettre de fonctionner à son rendement optimum. Les blocs-piles doivent être réglés chaque semaine ou après une dizaine de cycles de charges/décharges ou chaque fois que la durée de fonctionnement du bloc-piles diminue. Pour utiliser le Tune-Up™ automatique, mettre le bloc-piles dans le chargeur et l'y laisser pendant au moins 8 heures. Le chargeur passera par les modes suivants :

1. Le voyant rouge clignotera de façon continue indiquant que le cycle de chargement d'une heure a commencé.
2. Lorsque ce dernier est terminé, le voyant restera allumé sans clignoter. Cela indique que le bloc-piles est chargé à plein et peut être alors utilisé.

3. Si le bloc-piles est laissé dans le chargeur après la charge initiale de 1 heure, le chargeur entrera en mode automatique de mise au point. Ce mode dure jusqu'à 8 heures ou jusqu'à ce que les cellules du bloc-piles soient équilibrées. Le bloc-piles est prêt à être utilisé et peut être enlevé en tout temps durant le mode de mise au point.
4. Lorsque le mode automatique de mise au point est terminé, le chargeur débute une charge d'entretien; le témoin rouge demeurera allumé.

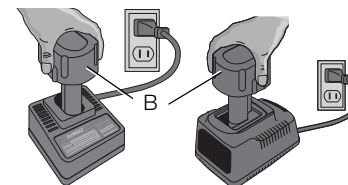
### Chargeurs

Votre outil fonctionne avec un chargeur DEWALT. S'assurer de bien lire toutes les directives de sécurité avant toute utilisation du chargeur. Consulter le tableau à l'arrière de ce manuel pour vous informer de la compatibilité entre chargeurs et blocs-piles.

### Procédure de charge (Fig. 1)

**⚠ DANGER :** risque d'électrocution. Les bornes de charge présentent une tension de 120 volts. Ne pas sonder les bornes avec des objets conducteurs. En effet, il y a risque de choc électrique ou d'électrocution.

1. Branchez le chargeur FIG. 1 dans la prise appropriée avant d'y insérer le bloc-piles.



2. Insérez le bloc-piles (B) dans le chargeur, comme illustré en figure 1, en vous assurant qu'il y est correctement calé. Le voyant rouge (charge) clignotera de façon continue indiquant que le cycle de chargement a commencé.

3. En fin de charge, le voyant rouge restera allumé de façon continue. Le bloc-piles est alors complètement chargé et peut être utilisé ou laissé dans le chargeur.

### Fonctionnement du voyant

CHARGEMENT DU BLOC-PILES.....	
CHARGÉ À BLOC.....	
RETARDEMENT BLOC-PILES CHAUD/FROID.....	
REMPLENER LE BLOC-PILES...	
SOURCE D'ALIMENTATION INADÉQUATE.....	

### Voyants de charge

Certains chargeurs sont conçus pour détecter certains troubles pouvant survenir avec les blocs-piles. Ils sont indiqués par le clignotement rapide du voyant rouge. Dans ce cas, réinsérer le bloc-piles dans le chargeur. Si le trouble persiste, essayer un bloc-piles différent afin de déterminer si le chargeur est en bon état. Si le nouveau bloc-piles est chargé correctement, cela signifie que le bloc-piles initial était défectueux et qu'il doit être retourné à un centre de réparation ou à un site de collecte pour le recyclage. Si le nouveau bloc-piles présente le même trouble que celui d'origine, faire vérifier le chargeur par un centre de réparation autorisé.

### FONCTION DE SUSPENSION DU BLOC-PILES CHAUD/FROID

Certains chargeurs comportent une fonction de suspension du bloc-piles chaud/froid. En effet, lorsque le chargeur détecte un bloc-piles chaud, il suspend immédiatement le chargement jusqu'au

refroidissement de celui-ci. Une fois le bloc-piles refroidi, le chargeur passe automatiquement au mode de charge du bloc-piles. Cette fonction assure une durée de vie maximale au bloc-piles. Le voyant rouge émet un clignotement long, puis court en mode de suspension de bloc-piles chaud.

### PROBLÈME AVEC LE SECTEUR

Certains chargeurs présentent un voyant pour tout problème avec le secteur. Lorsque le chargeur est utilisé avec des blocs d'alimentation portatifs comme des génératrices ou des alternateurs, il pourrait temporairement s'arrêter de marcher, **auquel cas un voyant rouge émet deux clignotements rapides suivis d'une pause**. Cela indique que le bloc d'alimentation est hors tolérance.

### BLOC-PILES LAISSÉ DANS LE CHARGEUR

Le chargeur et le bloc-piles peuvent être laissés branchés, le voyant rouge demeurant indéfiniment allumé. Le chargeur maintiendra le bloc-piles chargé à plein et en bon état.

**REMARQUE :** le bloc-piles perdra lentement sa charge une fois retiré du chargeur. Si le bloc-piles n'a pas été maintenu chargé (charge d'entretien), il peut falloir le recharger avant de l'utiliser. De plus, un bloc-piles peut perdre lentement sa charge s'il est laissé dans un chargeur qui n'est pas branché à une source de c.a. appropriée.

**BLOCS-PILES FAIBLES :** les chargeurs peuvent également détecter les blocs-piles faibles. Ces blocs-piles peuvent encore être utilisés, mais il faut s'attendre à un rendement moindre. Le chargeur indiquera lorsqu'il est temps de remplacer un bloc-pile.

### Remarques importantes concernant le chargement

1. Pour augmenter la durée de vie du bloc-piles et optimiser son rendement, le recharger à une température ambiante de 18 °C à 24 °C (65 °F à 75 °F). NE PAS recharger le bloc-piles à

une température inférieure à + 4,5 °C (+ 40 °F) ou supérieure à + 40,5 °C (+ 105 °F). C'est important pour prévenir tout dommage sérieux au bloc-piles.

2. Le chargeur et son bloc-piles peuvent devenir chauds au toucher pendant la charge. C'est normal et ne représente en aucun cas une défaillance du produit. Pour faciliter le refroidissement du bloc-piles après utilisation, éviter de laisser le chargeur ou le bloc-piles dans un local où la température ambiante est élevée comme dans un hangar métallique ou une remorque non isolée.
3. Si le bloc-piles ne se recharge pas correctement :
  - a. Vérifier le bon fonctionnement de la prise en y branchant une lampe ou tout autre appareil électrique.
  - b. Vérifier que la prise n'est pas contrôlée par un interrupteur qui coupe le courant lorsqu'on éteint les lumières.
  - c. Déplacer le chargeur et le bloc-piles dans un local où la température ambiante se trouve entre environ 18 °C et 24 °C (65 °F et 75 °F).
  - d. Si le problème persiste, amener l'outil, le bloc-piles et son chargeur dans un centre de réparation local.
4. Recharger le bloc-piles lorsqu'il ne produit plus assez de puissance pour effectuer un travail qu'il faisait facilement auparavant. NE PAS CONTINUER à l'utiliser dans ces conditions. Suivre la procédure de charge. Si nécessaire, il est aussi possible de recharger un bloc-piles partiellement déchargé sans effet nuisible sur le bloc-piles.
5. Dans certaines circonstances, lorsque le chargeur est branché au bloc d'alimentation, les contacts de chargement exposés à l'intérieur du chargeur peuvent être court-circuités par des corps étrangers conducteurs tels que, mais sans s'y limiter, poussières de rectification, débris métalliques, laine d'acier, feuilles

d'aluminium, ou toute accumulation de particules métalliques. Ils doivent être maintenus à distance des ouvertures du chargeur. Débrancher systématiquement le chargeur lorsque le bloc-piles n'y est pas inséré. Débrancher systématiquement le chargeur avant tout entretien.

6. Ne pas congeler ou immerger le chargeur dans l'eau ou tout autre liquide.

**⚠ AVERTISSEMENT :** *risques de chocs électriques. Ne laisser aucun liquide pénétrer dans le chargeur, des chocs électriques pourraient en résulter.*

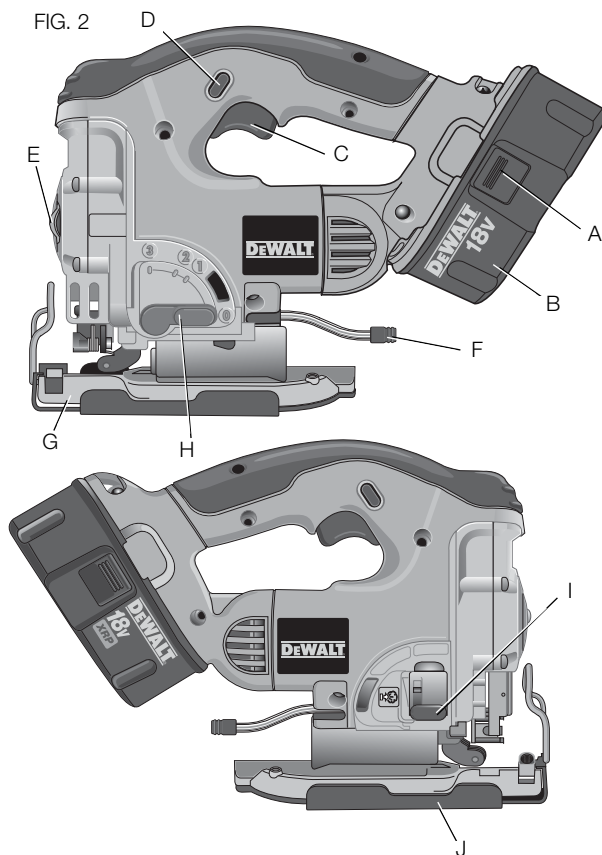
**⚠ AVERTISSEMENT :** *risques de brûlure. Ne jamais tenter d'ouvrir le bloc-piles pour quelque raison que ce soit. Si le boîtier plastique du bloc-piles est brisé ou fissuré, le retourner dans un centre de réparation pour y être recyclé.*

### **Recommandations de stockage**

1. Le lieu idéal de rangement est un lieu frais et sec, à l'abri de toute lumière solaire directe et de toute température excessive.
2. Pour un stockage prolongé, il est recommandé d'entreposer le bloc-piles pleinement chargé dans un lieu frais et sec, hors du chargeur pour optimiser les résultats.

**REMARQUE :** les blocs-piles ne devraient pas être entreposés complètement déchargés. Il sera nécessaire de recharger le bloc-piles avant réutilisation.

### **CONSERVER CES CONSIGNES POUR UTILISATION ULTÉRIEURE**



## DESCRIPTION (Fig. 2)

**⚠AVERTISSEMENT :** ne jamais modifier l'outil électrique ni aucun de ses composants, car il y a risques de dommages corporels ou matériels.

- |                                    |                              |
|------------------------------------|------------------------------|
| A. Bouton de dégagement de la pile | F. Levier d'angle de biseau  |
| B. Bloc-pile                       | G. Patin                     |
| C. Interrupteur à gâchette         | H. Levier de coupe           |
| D. Bouton de verrouillage          | I. Commande du chasse-sciure |
| E. Levier de la lame               | J. Couvre-patin anti-rayures |

## UTILISATION

**⚠AVERTISSEMENT :** pour réduire le risque de blessures, éteindre l'appareil et le débrancher avant d'installer ou de retirer tout accessoire et avant d'effectuer des réglages ou des réparations. Un démarrage accidentel peut provoquer des blessures.

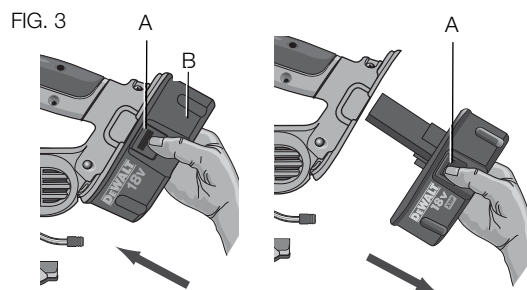
### Installation et retrait du bloc-piles (Fig. 3)

**⚠ATTENTION :** Verrouiller l'interrupteur à gâchette avant d'installer ou de retirer le bloc-pile.

**REMARQUE :** pour des résultats optimums, s'assurer que le bloc-piles est complètement chargé.

Pour installer le bloc-piles (B) dans la poignée de l'outil, alignez l'encoche sur la face interne de la poignée de l'outil avec le bloc-piles, et faites glisser le bloc-piles fermement dans la poignée jusqu'à ce qu'il s'y enclenche complètement, comme illustré en figure 3.

Pour retirer le bloc-piles de l'outil, poussez sur le bouton de dégagement (A) et tirez fermement le bloc-piles hors de la poignée de l'outil. Insérez-le dans son chargeur comme décrit dans la section appropriée de ce manuel.



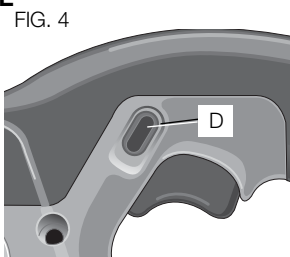
### **Interrupteur à gâchette (Fig. 1, 4)**

Enfoncer la gâchette (C) pour mettre la scie en marche. Relâcher la gâchette pour ralentir ou arrêter la scie.

### **COMMANDE DE VITESSE VARIABLE**

Plus on enfonce l'interrupteur à gâchette, plus la course/minute augmente. Relâcher la gâchette afin de réduire la course/minute de la lame.

Après chaque utilisation, on doit enfoncer le bouton de verrouillage (D) afin d'éliminer les risques de démarrage accidentel.



### **Installation et retrait de la lame (Fig. 5, 10)**

**⚠ ATTENTION :** ne pas toucher les lames usées, car ces dernières peuvent devenir chaudes et causer des blessures.

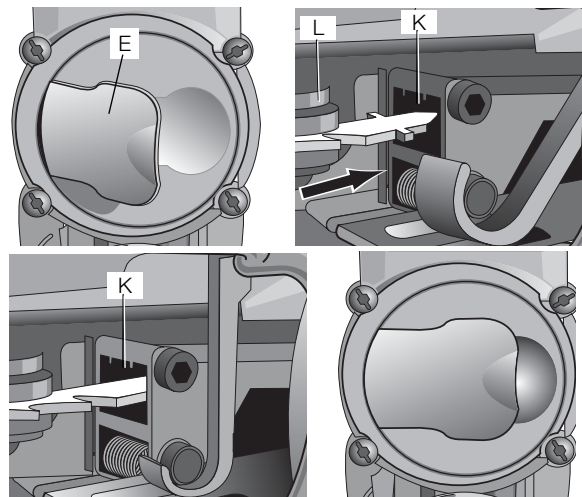
### **INSTALLATION DE LA LAME**

**REMARQUE :** Cette scie sauteuse n'utilise que des lames munies d'une tige en T.

**REMARQUE :** Utiliser la lame de coupe affleurée DW3311 seulement avec les scies sauteuses DEWALT DW331, DC330, DC308 et DC318.

**REMARQUE :** Lorsqu'on installe une lame de coupe affleurée (DW3311), on doit retirer le dispositif anti-éclats (N, Fig. 10) et mettre le patin à la position de butée fixe (0°).

FIG. 5



1. Soulever le levier de la lame sans clé (E), tel qu'illustré à la figure 5.
2. Insérer la lame munie d'une tige en T dans le mécanisme de serrage (K), en guidant la partie arrière de la lame dans la rainure des rouleaux de guidage (L).
3. La tige en T doit être complètement insérée dans le mécanisme de serrage, tel qu'illustré à la figure 5.
4. Relâcher le levier de la lame sans clé.

#### RETRAIT DE LA LAME

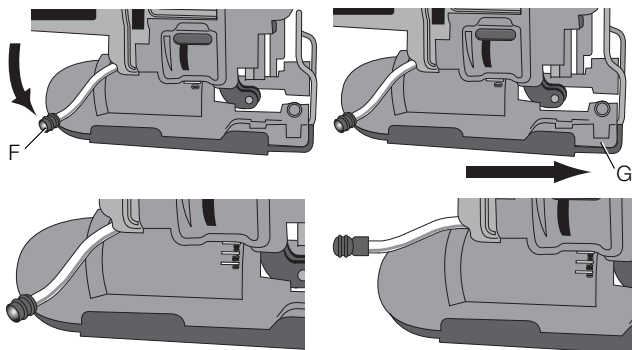
1. Soulever le levier de la lame sans clé (E).
2. Osciller légèrement la lame afin de la faire sortir.

#### Réglage de l'angle de biseau du patin (Fig. 6)

**Pour déverrouiller le patin**, tirer le levier d'angle de biseau sans clé (F) vers le côté.

**Pour verrouiller le patin**, pousser le même levier vers l'arrière, sous le corps de l'outil.

FIG. 6



#### POUR RÉGLER L'ANGLE DE BISEAU DU PATIN

1. Déverrouiller le patin.
2. Le faire glisser (G) vers l'avant afin de le dégager de la position de butée fixe (0°).
3. On peut régler l'angle de biseau du patin vers la gauche ou vers la droite, et régler la détente à des angles de 15 °, 30 ° ou 45 °. On peut arrêter manuellement le patin à n'importe quelle position afin d'obtenir un angle de 0 ° à 45 °.
4. Une fois l'angle voulu obtenu, verrouiller le patin dans cette position.

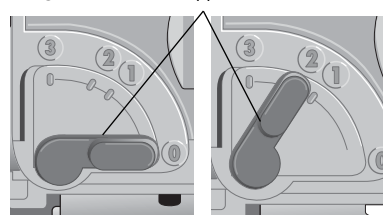
#### POUR REMETTRE LE PATIN À 0

1. Déverrouiller le patin.
2. Le tourner jusqu'à la position de 0°.
3. Le faire glisser jusqu'à la position de butée fixe (0°).
4. Le verrouiller.

#### Coupe en mode orbital ou coupe droite (Fig. 7)

La scie sauteuse est munie d'un levier qui permet d'effectuer quatre types de coupes, dont trois en mode orbital et un en mode de coupe droite. Lors de la coupe en mode orbital, qui est conçu pour la coupe de matériaux mous tels que le

FIG. 7



bois et le plastique, la lame se déplace de façon plus prononcée. Bien qu'une coupe en mode orbital soit plus rapide, elle produit une surface plus rugueuse en raison des mouvements verticaux de la lame lorsqu'elle avance durant sa course de travail.



**REMARQUE :** On ne doit jamais utiliser la scie en mode orbital pour couper le métal ou le bois dur.

Pour régler le levier de coupe, déplacer ce dernier (H) entre les quatre positions, soit 0, 1, 2 et 3. La position « 0 » correspond à la coupe droite et les positions 1, 2 et 3, à la coupe en mode orbital. Plus la position est élevée, plus la coupe est prononcée.

### **Chasse-sciure (Fig. 8)**

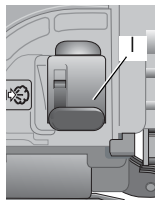
Le chasse-sciure aide à dégager les débris produits par la lame dans la zone de coupe.

**REMARQUE :** Lorsqu'on coupe du métal, on doit mettre le chasse-sciure hors tension afin de ne pas enlever les fluides de coupe qui recouvrent la lame.

**Pour mettre le chasse-sciure en marche,** soulever la commande (I), aussi loin que possible.

**Pour arrêter le chasse-sciure,** abaisser la commande, aussi loin que possible.

FIG. 8

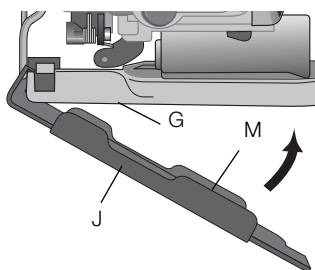


### **Couvre-patin anti-rayures détachable (Fig. 9)**

Le couvre-patin anti-rayures (J) doit être utilisé lorsque la surface de coupe s'égratigne facilement, telle une surface stratifiée, plaquée ou peinte.

Pour fixer le couvre-patin, placer le devant du patin en aluminium (G) dans la partie avant du couvre-patin anti-rayures (J), puis abaisser

FIG. 9



la scie afin d'enclencher solidement le couvre-patin dans la partie arrière du patin en aluminium .

Pour retirer le couvre-patin, le saisir par le bas et le retirer en tenant les deux languettes arrière (M).

### **Dispositif anti-éclats (Fig. 10)**

**REMARQUE :** Ne pas utiliser le dispositif anti-éclats avec la lame de coupe affleurée.

Le dispositif anti-éclats (N) doit être utilisé lorsqu'on veut réduire au minimum les déchirures, surtout lorsqu'on coupe des matériaux plaqués ou stratifiés ou des surfaces finies, comme les surfaces peintes. Le dispositif anti-éclats doit être installé à l'intérieur du couvre-patin anti-rayures (J). Si ce dernier n'est pas utilisé, installer le dispositif anti-éclats dans le patin (G).

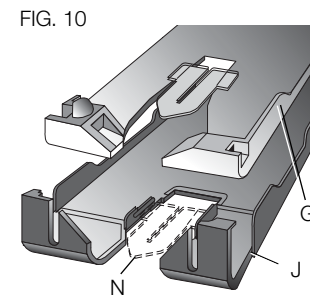


FIG. 10

### **Coupe**

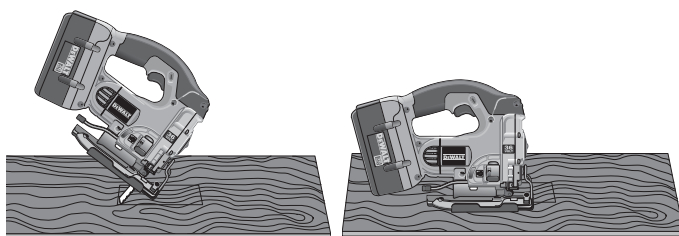
**⚠AVERTISSEMENT :** Ne pas utiliser la scie sauteuse sans y avoir d'abord installé le patin afin d'éviter les risques de blessure grave.

### **COUPE INTERNE (FIG. 11)**

Il s'agit d'une méthode facile d'effectuer une coupe à l'intérieur d'un matériau. On peut introduire la scie directement dans un panneau ou une planche sans qu'il ne soit nécessaire de percer d'abord un trou de guidage. Pour réaliser une coupe à l'intérieur d'une pièce, mesurer la surface à couper et inscrire clairement une marque au crayon à l'endroit voulu. Incliner la scie vers l'avant de manière à ce que le devant du patin repose fermement sur la surface de travail et que la lame soit complètement dégagée de la pièce lors de sa course maximale. Mettre l'outil sous tension et attendre qu'il atteigne

sa vitesse maximale. Le saisir fermement l'outil et abaisser lentement son bord arrière jusqu'à ce que la lame atteigne toute sa profondeur. Tenir le patin à plat contre le matériau et amorcer la coupe. Ne pas retirer la lame de la ligne de coupe lorsqu'elle bouge encore; on doit attendre qu'elle s'immobilise complètement.

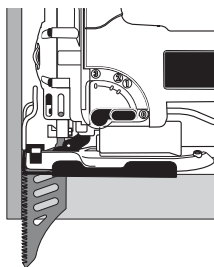
FIG. 11



### COUPE AFFLEURÉE (FIG. 12)

Ce type de coupe est nécessaire lorsqu'on veut finir une coupe jusqu'au bord d'un mur ou tout près d'un obstacle, tel un dos anti-éclaboussement. Un des moyens les plus faciles d'effectuer une coupe affleurée et d'utiliser une lame de coupe affleurée (DW3311) puisqu'elle permet à l'utilisateur d'effectuer une coupe tout près du bord avant du patin de la scie sauteuse. Retirer le dispositif anti-éclats et remettre le patin à la position de butée fixe (0°) avant d'installer et d'utiliser la lame de coupe affleurée. Afin d'obtenir les meilleurs résultats possibles, on doit régler la lame à la position «

FIG. 12



0 » ou de mode orbital « 1 ». On ne doit pas utiliser la lame de coupe affleurée pour amorcer la coupe puisqu'elle ne permet pas de supporter le patin sur la surface de travail. Utiliser la méthode expliquée ci-dessous pour couper le bois.

### COUPE DU BOIS

Soutenir adéquatement la pièce en tout temps. Toujours sélectionner la vitesse maximale pour couper le bois. Ne pas tenter de mettre l'outil sous tension lorsque la lame est appuyée contre le matériau à couper afin d'éviter de caler le moteur. Placer le devant du patin sur le matériau à couper et tenir fermement le patin contre le matériau lors de la coupe. Ne pas forcer l'outil; laisser la lame couper à la vitesse normale. Une fois la coupe terminée, mettre l'outil hors tension et attendre que la lame s'immobilise complètement. Déposer ensuite la scie de côté avant de desserrer la pièce.

### COUPE DU MÉTAL

Lorsqu'on coupe une feuille de tôle mince, il est préférable de fixer un morceau de bois sous la tôle afin d'assurer une coupe précise sans risquer de causer des vibrations ou de déchirer la tôle. Utiliser une lame à dents fines pour couper les métaux ferreux (c'est-à-dire, ceux contenant du fer) et une lame à grosses dents pour les métaux non ferreux (ceux ne contenant aucun fer).

Utiliser une haute vitesse pour couper les alliages doux (l'aluminium, le cuivre, le laiton, l'acier doux, les tuyaux en acier galvanisé, conduits de tôle, etc.), et une basse vitesse pour couper les plastiques, les tuiles, les stratifiés, les métaux durs et la fonte.

### MAINTENANCE

**⚠ AVERTISSEMENT : pour réduire le risque de blessures, éteindre l'appareil et le débrancher avant d'installer ou de retirer tout accessoire et avant d'effectuer des réglages ou des réparations. Un démarrage accidentel peut provoquer des blessures.**

## Nettoyage

**⚠ AVERTISSEMENT :** enlever les saletés et la poussière hors des événements au moyen d'air comprimé propre et sec, au moins une fois par semaine. Pour minimiser le risque de blessure aux yeux, toujours porter une protection oculaire conforme à la norme ANSI Z87.1 lors du nettoyage.

**⚠ AVERTISSEMENT :** ne jamais utiliser de solvants ni d'autres produits chimiques puissants pour nettoyer les pièces non métalliques de l'outil. Ces produits chimiques peuvent affaiblir les matériaux de plastique utilisés dans ces pièces. Utiliser un chiffon humecté uniquement d'eau et de savon doux. Ne jamais laisser de liquide pénétrer dans l'outil et n'immerger aucune partie de l'outil dans un liquide.

### INSTRUCTION DE NETTOYAGE DU CHARGEUR

**⚠ AVERTISSEMENT :** risque de choc. Débrancher le chargeur de la prise de courant C.A. avant de le nettoyer. La saleté et la graisse peuvent être enlevées de la surface extérieure du chargeur au moyen d'un chiffon ou d'une brosse douce non métallique. Ne pas utiliser d'eau ni d'autres solutions de nettoyage.

## Accessoires

**⚠ AVERTISSEMENT :** puisque les accessoires autres que ceux offerts par DEWALT n'ont pas été testés avec ce produit, leur utilisation pourrait s'avérer dangereuse. Pour réduire le risque de blessures, utiliser exclusivement les accessoires DEWALT recommandés avec le présent produit.

Les accessoires recommandés pour cet outil sont vendus séparément au centre de service de votre région. Pour obtenir de l'aide concernant l'achat d'un accessoire, communiquer avec DEWALT Industrial Tool

Co., 701 East Joppa Road, Baltimore, MD 21286 aux États-Unis; composer le 1 800 433-9258 (1 800 4-DEWALT) ou visiter notre site Web : [www.dewalt.com](http://www.dewalt.com).

**REMARQUE :** Utiliser la lame de coupe affleurée DW3311 seulement avec les scies sauteuses DEWALT DW331, DC330, DC308 et DC318.

## Réparations

Le chargeur et le bloc-piles ne sont pas réparables.

Pour assurer la SÉCURITÉ et la FIABILITÉ du produit, les réparations, l'entretien et les réglages doivent être réalisés (cela comprend l'inspection et le remplacement du balai) par un centre de réparation en usine DEWALT, un centre de réparation agréé DEWALT ou par d'autres techniciens qualifiés. Toujours utiliser des pièces de rechange identiques.

## Registre en ligne

Merci pour votre achat. Enregistrez dès maintenant votre produit:

- **RÉPARATIONS SOUS GARANTIE:** cette carte remplie vous permettra de vous prévaloir du service de réparations sous garantie de façon plus efficace dans le cas d'un problème avec le produit.
- **CONFIRMATION DE PROPRIÉTÉ:** en cas de perte provoquée par un incendie, une inondation ou un vol, cette preuve de propriété vous servira de preuve auprès de votre compagnie d'assurances.
- **SÉCURITÉ:** l'enregistrement de votre produit nous permettra de communiquer avec vous dans l'éventualité peu probable de l'envoi d'un avis de sécurité régi par la loi fédérale américaine de la protection des consommateurs.

Registre en ligne à [www.dewalt.com/register](http://www.dewalt.com/register).

### Garantie limitée de trois ans

DEWALT réparera, sans frais, tout produit défectueux causé par un défaut de matériel ou de fabrication pour une période de trois ans à compter de la date d'achat. La présente garantie ne couvre pas les pièces dont la défectuosité a été causée par une usure normale ou l'usage abusif de l'outil. Pour obtenir de plus amples renseignements sur les pièces ou les réparations couvertes par la présente garantie, visiter le site [www.dewalt.com](http://www.dewalt.com) ou composer le 1 800 433-9258 (1 800 4-DEWALT). Cette garantie ne s'applique pas aux accessoires et ne vise pas les dommages causés par des réparations effectuées par un tiers. Cette garantie confère des droits légaux particuliers à l'acheteur, mais celui-ci pourrait aussi bénéficier d'autres droits variant d'un état ou d'une province à l'autre.

En plus de la présente garantie, les outils DEWALT sont couverts par notre :

#### CONTRAT D'ENTRETIEN GRATUIT D'UN AN

DEWALT entretiendra l'outil et remplacera les pièces usées au cours d'une utilisation normale et ce, gratuitement, pendant une période d'un an à compter de la date d'achat.

#### CONTRAT D'ENTRETIEN GRATUIT DE DEUX ANS SUR LES BLOC-PILES DEWALT

DC9071, DC9091, DC9096, DC9182, DC9280, DC9360, DC9180, DCB120, DCB127, DCB201, DCB203 et DCB207

#### CONTRAT D'ENTRETIEN GRATUIT DE TROIS ANS SUR LES BLOC-PILES DEWALT

DCB200, DCB204, DCB205

#### BLOCS-PILES DEWALT

La garantie de ce produit sera annulée si le bloc-piles a été altéré de quelque façon que ce soit. DEWALT ne peut être tenu responsable de tout dommage corporel causé par l'altération du produit et pourra

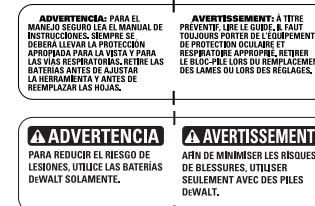
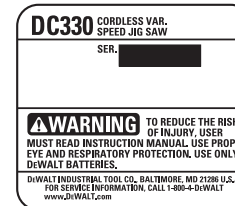
poursuivre toute fraude en matière de garantie dans toute l'étendue permise par la loi.

#### GARANTIE DE REMBOURSEMENT DE 90 JOURS

Si l'acheteur n'est pas entièrement satisfait, pour quelque raison que ce soit, du rendement de l'outil électrique, du laser ou de la cloueuse DEWALT, celui-ci peut le retourner, accompagné d'un reçu, dans les 90 jours à compter de la date d'achat pour obtenir un remboursement intégral, sans aucun problème.

**AMÉRIQUE LATINE :** cette garantie ne s'applique aux produits vendus en Amérique latine. Pour ceux-ci, veuillez consulter les informations relatives à la garantie spécifique présente dans l'emballage, appeler l'entreprise locale ou consulter le site Web pour les informations relatives à cette garantie.

**REPLACEMENT GRATUIT DES ÉTIQUETTES D'AVERTISSEMENT :** si les étiquettes d'avertissement deviennent illisibles ou sont manquantes, composer le 1 800 433-9258 (1 800 4-DEWALT) pour en obtenir le remplacement gratuit.



### **Definiciones: Normas de seguridad**

Las siguientes definiciones describen el nivel de gravedad de cada palabra de señal. Lea el manual y preste atención a estos símbolos.

**▲ PELIGRO:** Indica una situación de peligro inminente que, si no se evita, provocará **la muerte o lesiones graves**.

**▲ ADVERTENCIA:** Indica una situación de peligro potencial que, si no se evita, **podría provocar la muerte o lesiones graves**.

**▲ ATENCIÓN:** Indica una situación de peligro potencial que, si no se evita, **posiblemente provocaría lesiones leves o moderadas**.

**AVISO:** Se refiere a una práctica **no relacionada a lesiones corporales** que de no evitarse **puede** resultar en **daños a la propiedad**.

SI TIENE ALGUNA DUDA O ALGÚN COMENTARIO SOBRE ÉSTA U OTRA HERRAMIENTA DEWALT, LLÁMENOS AL NÚMERO GRATUITO: 1-800-4-DEWALT (1-800-433-9258).



**ADVERTENCIA:** Para reducir el riesgo de lesiones, lea el manual de instrucciones.

### **Advertencias generales de seguridad para herramientas eléctricas**



**¡ADVERTENCIA!** Lea todas las advertencias de seguridad e instrucciones. El incumplimiento de las advertencias e instrucciones puede provocar descargas eléctricas, incendios o lesiones graves.

## **CONSERVE TODAS LAS ADVERTENCIAS E INSTRUCCIONES PARA FUTURAS CONSULTAS**

El término "herramienta eléctrica" incluido en las advertencias hace referencia a las herramientas eléctricas operadas con corriente (con cable eléctrico) o a las herramientas eléctricas operadas con baterías (inalámbricas).

### **1) SEGURIDAD EN EL ÁREA DE TRABAJO**

- Mantenga el área de trabajo limpia y bien iluminada.** Las áreas abarrotadas y oscuras propician accidentes.
- No opere las herramientas eléctricas en atmósferas explosivas, como ambientes donde haya polvo, gases o líquidos inflamables.** Las herramientas eléctricas originan chispas que pueden encender el polvo o los vapores.
- Mantenga alejados a los niños y a los espectadores de la herramienta eléctrica en funcionamiento.** Las distracciones pueden provocar la pérdida de control.

### **2) SEGURIDAD ELÉCTRICA**

- Los enchufes de la herramienta eléctrica deben adaptarse al tomacorriente. Nunca modifique el enchufe de ninguna manera. No utilice ningún enchufe adaptador con herramientas eléctricas con conexión a tierra.** Los enchufes no modificados y que se adaptan a los tomacorrientes reducirán el riesgo de descarga eléctrica.
- Evite el contacto corporal con superficies con descargas a tierra como, por ejemplo, tuberías, radiadores, cocinas eléctricas y refrigeradores.** Existe mayor riesgo de descarga eléctrica si su cuerpo está puesto a tierra.
- No esponga las herramientas eléctricas a la lluvia o a condiciones de humedad.** Si entra agua a una herramienta eléctrica, aumentará el riesgo de descarga eléctrica.

- d) **No maltrate el cable. Nunca utilice el cable para transportar, tirar o desenchufar la herramienta eléctrica. Mantenga el cable alejado del calor, el aceite, los bordes filosos y las piezas móviles.** Los cables dañados o enredados aumentan el riesgo de descarga eléctrica.
- e) **Al operar una herramienta eléctrica en el exterior, utilice un cable prolongador adecuado para tal uso.** Utilice un cable adecuado para uso en exteriores a fin de reducir el riesgo de descarga eléctrica.
- f) **Si el uso de una herramienta eléctrica en un lugar húmedo es imposible de evitar, utilice un suministro protegido con un interruptor de circuito por falla a tierra (GFCI).** El uso de un GFCI reduce el riesgo de descargas eléctricas.
- 3) SEGURIDAD PERSONAL**
- a) **Permanezca alerta, controle lo que está haciendo y utilice el sentido común cuando emplee una herramienta eléctrica. No utilice una herramienta eléctrica si está cansado o bajo el efecto de drogas, alcohol o medicamentos.** Un momento de descuido mientras se opera una herramienta eléctrica puede provocar lesiones personales graves.
- b) **Utilice equipos de protección personal. Siempre utilice protección para los ojos.** En las condiciones adecuadas, el uso de equipos de protección, como máscaras para polvo, calzado de seguridad antideslizante, cascos o protección auditiva, reducirá las lesiones personales.
- c) **Evite el encendido por accidente. Asegúrese de que el interruptor esté en la posición de apagado antes de conectarlo a la fuente de energía o paquete de baterías, o antes de levantar o transportar la herramienta.** Transportar herramientas eléctricas con el dedo apoyado en el interruptor o enchufar herramientas eléctricas con el interruptor en la posición de encendido puede propiciar accidentes.
- d) **Retire la clavija de ajuste o la llave de tuercas antes de encender la herramienta eléctrica.** Una llave de tuercas o una clavija de ajuste que quede conectada a una pieza giratoria de la herramienta eléctrica puede provocar lesiones personales.
- e) **No se estire. Conserve el equilibrio y párese adecuadamente en todo momento.** Esto permite un mejor control de la herramienta eléctrica en situaciones inesperadas.
- f) **Use la vestimenta adecuada. No use ropas holgadas ni joyas. Mantenga el cabello, la ropa y los guantes alejados de las piezas en movimiento.** Las ropas holgadas, las joyas o el cabello largo pueden quedar atrapados en las piezas en movimiento.
- g) **Si se suministran dispositivos para la conexión de accesorios con fines de recolección y extracción de polvo, asegúrese de que estén conectados y que se utilicen correctamente.** El uso de dispositivos de recolección de polvo puede reducir los peligros relacionados con el polvo.
- 4) USO Y MANTENIMIENTO DE LA HERRAMIENTA ELÉCTRICA**
- a) **No fuerce la herramienta eléctrica. Utilice la herramienta eléctrica correcta para el trabajo que realizará.** Si se la utiliza a la velocidad para la que fue diseñada, la herramienta eléctrica correcta permite trabajar mejor y de manera más segura.
- b) **No utilice la herramienta eléctrica si no puede encenderla o apagarla con el interruptor.** Toda herramienta eléctrica que no pueda ser controlada mediante el interruptor es peligrosa y debe repararse.
- c) **Desconecte el enchufe de la fuente de energía o el paquete de baterías de la herramienta eléctrica antes de realizar ajustes, cambiar accesorios o almacenar la herramienta eléctrica.** Estas medidas de seguridad

preventivas reducen el riesgo de encender la herramienta eléctrica en forma accidental.

- d) **Guarde la herramienta eléctrica que no esté en uso fuera del alcance de los niños y no permita que otras personas no familiarizadas con ella o con estas instrucciones operen la herramienta.** Las herramientas eléctricas son peligrosas si son operadas por usuarios no capacitados.
- e) **Realice el mantenimiento de las herramientas eléctricas. Revise que no haya piezas en movimiento mal alineadas o trabadas, piezas rotas o cualquier otra situación que pueda afectar el funcionamiento de la herramienta eléctrica. Si encuentra daños, haga reparar la herramienta eléctrica antes de utilizarla.** Se producen muchos accidentes a causa de las herramientas eléctricas que carecen de un mantenimiento adecuado.
- f) **Mantenga las herramientas de corte afiladas y limpias.** Las herramientas de corte con mantenimiento adecuado y con los bordes de corte afilados son menos propensas a trabarse y son más fáciles de controlar.
- g) **Utilice la herramienta eléctrica, los accesorios y las brocas de la herramienta, etc. de acuerdo con estas instrucciones y teniendo en cuenta las condiciones de trabajo y el trabajo que debe realizarse.** El uso de la herramienta eléctrica para operaciones diferentes de aquéllas para las que fue diseñada podría originar una situación peligrosa.

#### 5) USO Y MANTENIMIENTO DE LA HERRAMIENTA CON BATERÍAS

- a) **Recargue solamente con el cargador especificado por el fabricante.** Un cargador adecuado para un tipo de paquete de baterías puede originar riesgo de incendio si se utiliza con otro paquete de baterías.
- b) **Utilice herramientas eléctricas sólo con paquetes de baterías específicamente diseñados.** El uso de cualquier

otro paquete de baterías puede producir riesgo de incendio y lesiones.

- c) **Cuando no utilice el paquete de baterías, manténgalo lejos de otros objetos metálicos como sujetapapeles, monedas, llaves, clavos, tornillos u otros objetos metálicos pequeños que puedan realizar una conexión desde un terminal al otro.** Los cortocircuitos en los terminales de la batería pueden provocar quemaduras o incendio.
  - d) **En condiciones abusivas, el líquido puede ser expulsado de la batería. Evite su contacto. Si entra en contacto accidentalmente, enjuague con agua. Si el líquido entra en contacto con los ojos, busque atención médica.** El líquido expulsado de la batería puede provocar irritación o quemaduras.
- #### 6) MANTENIMIENTO
- a) **Solicite a una persona calificada en reparaciones que realice el mantenimiento de su herramienta eléctrica y que sólo utilice piezas de repuesto idénticas.** Esto garantizará la seguridad de la herramienta eléctrica.

#### Normas específicas de seguridad adicionales para sierras de vaivén

- **Sujete la herramienta eléctrica de sus superficies aislantes cuando lleve a cabo una operación en que el accesorio de corte pudiera entrar en contacto con un hilo eléctrico oculto.** Los accesorios de corte que entren en contacto con un hilo eléctrico activo podrían hacer que las partes metálicas de la herramienta eléctrica también se activen con electricidad y que el operador sufra una descarga eléctrica.
- **Utilice abrazaderas u otra forma práctica para asegurar y sostener la pieza de trabajo sobre una plataforma estable.** Sostener el trabajo con la mano o contra el cuerpo no brinda la estabilidad requerida y puede llevar a la pérdida del control.

- **Permita que el motor se detenga por completo antes de retirar la hoja de la línea de corte.** Las hojas en movimiento pueden impactar la pieza de trabajo y romperse, dañar la pieza de trabajo o causar la pérdida de control de la herramienta y posibles lesiones corporales.
  - **Mantenga manos lejos de piezas móviles.** Nunca coloque las manos cerca del área cortante.
  - **Mantenga manos lejos de área cortante.** Cuando serruchando, nunca alcance debajo de ni detrás de la materia siendo cortado para cualquier razón.
  - **Nunca celebre el trabajo en su mano, regazo o contra partes de su cuerpo al aserrar.** La sierra ni resbalón y la lámina podía entrar en contacto con el cuerpo que causaba lesión.
  - **Mantenga las empuñaduras secas, limpias, libres de aceite y grasa.** Esto permitirá un mejor control de la herramienta.
  - **Mantenga las hojas afiladas.** Las hojas romas pueden hacer que la sierra se desvíe o estanque bajo presión.
  - **Utilice el cuidado extra al cortar de arriba y pagar la atención particular alambres de arriba que se pueden esconder de la vista.** Anticipe el sendero de caer ramas y escombros temprano.
  - **Limpie su herramienta con frecuencia, especialmente después de usos prolongados.** El polvo y la arenilla que contienen partículas metálicas se acumulan con frecuencia en las superficies interiores y podrían ocasionar peligro de descarga eléctrica.
  - **No opere esta herramienta durante períodos largos de tiempo.** La vibración causada por la acción de operación de esta herramienta puede causar lesiones permanentes a los dedos, las manos y los brazos. Utilice guantes para una mayor amortiguación, tome descansos frecuentes y limite el tiempo de uso diario.
  - **Los orificios de ventilación suelen cubrir piezas en movimiento, por lo que también se deben evitar.** Las piezas en movimiento pueden atrapar prendas de vestir sueltas, joyas o el cabello largo.
- ▲ **ADVERTENCIA:** Use **SIEMPRE** lentes de seguridad. Los anteojos de diario NO SON lentes de seguridad. Utilice además una cubrebocas o mascarilla antipolvo si la operación de corte genera demasiado polvo. **SIEMPRE LLEVE EQUIPO DE SEGURIDAD CERTIFICADO:**
- protección ocular ANSI Z87.1 (CAN/CSA Z94.3),
  - protección auditiva ANSI S12.6 (S3.19),
  - protección respiratoria NIOSH/OSHA/MSHA.
- ▲ **ADVERTENCIA:** Algunas partículas de polvo generadas al lijar, serrar, esmerilar y taladrar con herramientas eléctricas, así como al realizar otras actividades de construcción, contienen químicos que el Estado de California sabe que pueden producir cáncer, defectos congénitos u otras afecciones reproductivas. Ejemplos de estos químicos son:
- plomo de algunas pinturas en base a plomo,
  - polvo de sílice proveniente de ladrillos y cemento y otros productos de albañilería, y
  - arsénico y cromo provenientes de madera tratada químicamente.
- Su riesgo de exposición a estos químicos varía, dependiendo de la frecuencia con la cual realiza usted este tipo de trabajo. Para reducir su exposición a estas sustancias químicas: trabaje en una zona bien ventilada y llevando equipos de seguridad aprobados, como mascarillas antipolvo especialmente diseñadas para filtrar partículas microscópicas.
- **Evite el contacto prolongado con polvo generado por el lijado, aserrado, pulido, taladrado y otras actividades de construcción. Vista ropas protectoras y lave las áreas de**



**la piel expuestas con agua y jabón.** Si permite que el polvo se introduzca en la boca u ojos o quede sobre la piel, puede favorecer la absorción de productos químicos peligrosos.

**⚠️ ADVERTENCIA:** La utilización de esta herramienta puede generar polvo o dispersarlo, lo que podría causar daños graves y permanentes al sistema respiratorio, así como otras lesiones. Siempre use protección respiratoria aprobada por NIOSH (Instituto Nacional de Seguridad y Salud en el Trabajo) u OSHA (Administración de Seguridad y Salud en el Trabajo) apropiada para la exposición al polvo. Dirija las partículas en dirección contraria a la cara y el cuerpo.

**⚠️ ADVERTENCIA: Siempre lleve la debida protección auditiva personal en conformidad con ANSI S12.6 (S3.19) durante el uso de esta herramienta.** Bajo algunas condiciones y duraciones de uso, el ruido producido por este producto puede contribuir a la pérdida auditiva.

**⚠️ ATENCIÓN: Cuando no esté en uso, guarde la herramienta apoyada en un costado sobre una superficie estable, donde no interrumpa el paso o provoque una caída.** Algunas herramientas con paquetes de baterías de gran tamaño pueden colocarse paradas sobre el paquete de baterías, pero pueden caerse fácilmente.

- La etiqueta de su herramienta puede incluir los siguientes símbolos.

A continuación se indican los símbolos y sus definiciones:

V..... voltios	A..... amperios
Hz..... hertz	W..... vatios
min ..... minutos	~ o AC..... corriente alterna
== o DC..... corriente directa	⎓ o AC/DC... corriente alterna o directa
⚠️..... Construcción de Clase I (tierra)	

n..... velocidad nominal	n <sub>o</sub> ..... velocidad sin carga
☐..... Construcción de Clase II (doble aislamiento)	⊖..... terminal de advertencia
.../min ..... por minuto	⚠️..... símbolo de seguridad
IPM..... impactos por minuto	BPM..... golpes por minuto
sfpm..... pies de superficie por minuto	RPM..... revoluciones por minuto
SPM..... pasadas por minuto	

### Instrucciones de seguridad importantes para todas las unidades de batería

Cuando solicite unidades de batería de repuesto, no olvide indicar el número de catálogo y el voltaje. Consulte la tabla al final de este manual para ver la compatibilidad entre cargadores y unidades de batería.

La unidad de batería no viene completamente cargada de fábrica. Antes de usar la unidad de batería y el cargador, lea las siguientes instrucciones de seguridad. Luego, siga los procedimientos de carga indicados.

#### LEA TODAS LAS INSTRUCCIONES

- **No cargue o use la batería en atmósferas explosivas, como en presencia de líquidos, gases o polvos inflamables.** Puede que al insertar o sacar la batería del cargador se inflamen el polvo o los gases.
- **NUNCA fuerce la unidad de batería para que entre en el cargador. NO modifique la unidad de batería en ninguna forma para que entre en un cargador no compatible, pues**

Español

**puede producir una ruptura en la unidad de batería y causar lesiones corporales graves.** Consulte la tabla al final de este manual para ver la compatibilidad entre baterías y cargadores.

- Cargue las unidades de batería sólo en cargadores DEWALT.
- **NO** salpique con ni sumerja en agua u otros líquidos.
- **No guarde ni use la herramienta y unidad de batería en lugares donde la temperatura pueda alcanzar o superar los 40 °C (105 °F), tales como cobertizos o construcciones de metal durante el verano).**

**⚠PELIGRO:** Riesgo de electrocución. Nunca intente abrir el paquete de baterías por ningún motivo. Si la caja del paquete de baterías está agrietada o dañada, no la introduzca en el cargador. No comprima, deje caer ni dañe el paquete de baterías. No utilice un paquete de baterías o un cargador que haya recibido un golpe fuerte, se haya caído, esté agotado o dañado de alguna forma (por ejemplo, perforado con un clavo, golpeado con un martillo, pisado). Esto puede provocar descargas eléctricas o electrocución. Los paquetes de baterías dañados deben devolverse al centro de mantenimiento para su reciclado.

**NOTA:** Se proveen tapas para almacenamiento y transporte de las baterías, para utilizar siempre cuando la batería esté fuera de la herramienta o del cargador. Retire la tapa antes de colocar la batería en el cargador o en la herramienta.



**⚠ADVERTENCIA:** Riesgo de incendio. No guarde o transporte la batería de ninguna manera que permita que los terminales expuestos de la batería entren en contacto con objetos metálicos. Por ejemplo, no coloque la batería en delantales, bolsillos, cajas de herramientas, cajas de juegos de productos, cajones, etc., con clavos, llaves, tornillos sueltos, etc. sin la tapa. **Transportar baterías puede provocar incendios si los terminales de la batería entran en contacto accidentalmente con materiales**

**conductores como llaves, monedas, herramientas de mano u objetos similares.** Las Normas para Materiales Peligrosos del Departamento de Transporte de los EE.UU. (HMR) concretamente prohíben transportar baterías comercialmente o en aviones (es decir, empacadas en maletas y equipaje de mano) A MENOS que estén debidamente protegidas de cortocircuitos. Por lo tanto, cuando transporte baterías individuales, asegúrese de que los terminales de la batería estén protegidos y bien aislados de materiales que puedan hacer contacto y causar un cortocircuito.

#### INSTRUCCIONES DE SEGURIDAD ESPECÍFICAS PARA BATERÍAS DE NÍQUEL CADMIO (NiCd) O HIDRURO METÁLICO DE NÍQUEL (NiMH)

- **No incinere el paquete de baterías, aun si tiene daños importantes o está completamente desgastado.** El paquete de baterías puede explotar en el fuego.
- **Una pequeña pérdida de líquido de las celdas del paquete de baterías puede presentarse en condiciones de uso o temperatura extremas.** Esto no indica una falla. Sin embargo, si el sello externo está roto:
  - a. y el líquido de la batería entra en contacto con su piel, lávese inmediatamente con agua y jabón durante varios minutos.
  - b. y el líquido de la batería entra en contacto con sus ojos, lávelos con agua limpia durante al menos 10 minutos y busque atención médica inmediatamente. **(Nota médica:** el líquido es una solución de hidróxido de potasio al 25%–35%).

#### INSTRUCCIONES DE SEGURIDAD ESPECÍFICAS PARA BATERÍAS DE IONES DE LITIO (Li-Ion)

- **NO incinere la unidad de batería, aunque esté completamente dañada o descargada. La unidad de batería puede explotar si se quema.** Cuando se queman unidades de batería de iones de litio, se producen gases y materiales tóxicos.

- **Si el contenido de la batería entra en contacto con la piel, lave el área de inmediato con agua y un jabón suave.** Si el líquido de la batería entra en contacto con sus ojos, enjuáguelos con agua y los ojos abiertos por 15 minutos o hasta que cese la irritación. Si se requiere de asistencia médica, el electrolito de la batería está compuesto por una mezcla de carbonatos orgánicos líquidos y sales de litio.
- **El contenido de los elementos abiertos de la batería puede causar irritación en el tracto respiratorio.** Salga al aire fresco. Si los síntomas persisten, busque asistencia médica.

**⚠ADVERTENCIA:** Peligro de quemaduras. El líquido de la batería puede ser inflamable si se expone a chispas o llamas.

### **El sello RBRC™**

El sello RBRC™ (Rechargeable Battery Recycling Corporation) en las baterías (o unidades de batería) de níquel cadmio, níquel e hidruro metálico o de iones de litio indica que el costo de reciclaje de estas baterías (o unidades de batería) al llegar al final de su vida de servicio ya ha sido pagado por DEWALT. En algunas áreas, es ilegal depositar baterías de níquel cadmio, níquel e hidruro metálico o de iones de litio gastadas en la basura o la corriente de residuos sólidos urbanos; el programa RBRC proporciona una alternativa ecológica.

RBRC™, en cooperación con DEWALT y otros usuarios de baterías, han establecido programas en los Estados Unidos y Canadá para facilitar la recolección de baterías de níquel cadmio, níquel e hidruro metálico o de iones de litio gastadas. Al llevar sus baterías de níquel cadmio, níquel e hidruro metálico y de iones de litio gastadas a un centro de servicio autorizado por DEWALT o al minorista local para que sean recicladas, ayuda a proteger el medio ambiente y a conservar recursos naturales. También puede comunicarse con el



centro de reciclaje de su localidad para mayor información sobre dónde llevar sus baterías gastadas.

RBRC™ es una marca comercial registrada de Rechargeable Battery Recycling Corporation.

### **Instrucciones importantes de seguridad para todos los cargadores de baterías**

**GUARDE ESTAS INSTRUCCIONES:** Este manual contiene instrucciones de seguridad y operación importantes para los cargadores de baterías.

- Antes de usar el cargador, lea todas las instrucciones y advertencias que se encuentren en el cargador, la unidad de batería y el producto que usa la unidad de batería.

**⚠PELIGRO:** riesgo de electrocución. Hay 120 voltios en los terminales de carga. No realice pruebas con objetos conductores. Esto puede provocar descargas eléctricas o electrocución.

**⚠ADVERTENCIA:** peligro de descarga eléctrica. No permita que ningún líquido se introduzca en el cargador. Puede producir descargas eléctricas.

**⚠ATENCIÓN:** peligro de quemaduras. Para reducir el riesgo de lesiones, sólo cargue baterías recargables marca DEWALT. Otros tipos de baterías pueden estallar y causar así lesiones corporales y daños.

**AVISO:** bajo ciertas condiciones, cuando el cargador está enchufado a una toma de corriente, los contactos de carga expuestos dentro del cargador pueden hacer cortocircuito si entra en contacto con algún material ajeno. Los materiales ajenos conductores por naturaleza, tales como, pero sin limitarse a, el polvo del esmerilado, las virutas metálicas, la lana de acero, el papel de aluminio o cualquier acumulación de partículas metálicas deberían mantenerse alejados de las cavidades del cargador. Desenchufe siempre el cargador de

la toma de corriente cuando no haya una unidad de batería en su cavidad. Desenchufe el cargador antes de intentar limpiarlo.

- **NO intente cargar la unidad de batería con otros cargadores que no sean los descritos en este manual.** El cargador y la unidad de batería fueron específicamente diseñados para trabajar en conjunto.
- **Estos cargadores no fueron diseñados para ser utilizados para más que cargar las baterías recargables DEWALT.** Cualquier otro uso puede producir riesgo de incendios, descargas eléctricas o electrocución.
- **No exponga el cargador a la lluvia o a la nieve.**
- **Tire del enchufe y no del cable cuando desconecte el cargador.** De esta forma se reduce el riesgo de daño al enchufe y cable.
- **Asegúrese de que el cable no sea ubicado de manera que podría ser pisado, causar que alguien tropiece con él o ser expuesto a otro tipo de daños y desgastes.**
- **No use un alargador a menos que sea absolutamente necesario.** El uso de un alargador incorrecto podría producir riesgo de incendios, descargas eléctricas o electrocución.
- **Cuando opere una herramienta eléctrica afuera, use un alargador de exterior.** El uso de un alargador de exterior reduce el riesgo de descarga eléctrica.
- **El cable de extensión deben ser de un calibre apropiado para su seguridad.** Mientras menor sea el calibre del hilo, mayor la capacidad del cable. Es decir, un hilo calibre 16 tiene mayor capacidad que uno de 18. Un cable de un calibre insuficiente causará una caída en la tensión de la línea dando por resultado una pérdida de energía y sobrecalentamiento. Cuando se utilice más de un alargador para completar el largo total, asegúrese que los hilos de cada alargador tengan el calibre mínimo. La tabla siguiente muestra el tamaño correcto a utilizar, dependiendo

de la longitud del cable y del amperaje nominal de la placa de identificación. Si tiene dudas sobre cuál calibre usar, use un calibre mayor. Cuanto más pequeño sea el número del calibre, más resistente será el cable.

Calibre mínimo para cables de alimentación							
Amperaje		Voltios		Largo total del cordón en metros (pies)			
		120 V		7,6 (25)	15,2 (50)	30,5 (100)	45,7 (150)
		240 V		15,2 (50)	30,5 (100)	61,0 (200)	91,4 (300)
Más de	No más de	AWG					
0	6		18	16	16	14	
6	10		18	16	14	12	
10	12		16	16	14	12	
12	16		14	12	No recomendado		

- **No coloque ningún objeto encima del cargador ni coloque a este sobre una superficie blanda que pudiera bloquear las ranuras de ventilación y resultar en un calor interno excesivo.** Coloque el cargador en un lugar alejado de cualquier fuente de calor. El cargador se ventila a través de las ranuras que se encuentran en la parte superior e inferior de la caja protectora.
- **No opere el cargador si su cable o enchufe están dañados.**
- **No opere el cargador si ha recibido un golpe agudo, si se ha dejado caer o si ha sido dañado de alguna otra forma.** Llévelo a un centro de servicio autorizado.
- **No desarme el cargador; llévelo a un centro de servicio autorizado cuando deba ser reparado.** Si es reensamblado incorrectamente, puede causar descargas eléctricas, electrocución o incendios.

- **Desenchufe el cargador antes de intentar limpiarlo. Esto reducirá el riesgo de descargas eléctricas.** El retirar el paquete de baterías no reducirá este riesgo.
- **NUNCA** intente conectar dos cargadores entre sí.
- **El cargador está diseñado para operar con una corriente eléctrica estándar residencial de 120 voltios. No intente usarlo con ningún otro voltaje.** Esto no aplica al cargador vehicular.

### Utilización del modo Tune-Up™ automático

El modo Tune-Up™ automático iguala o equilibra las células individuales en el paquete de baterías de modo que permite que funcione a una capacidad máxima. Los paquetes de baterías deben ajustarse semanalmente o después de 10 ciclos de carga/descarga o siempre que el paquete ya no suministre la misma cantidad de potencia. Para utilizar el Tune-Up™ automático, coloque el paquete de baterías en el cargador y déjelo durante al menos 8 horas. El cargador utilizará los siguientes modos.

1. La luz roja se encenderá y apagará continuamente para indicar que se ha iniciado el ciclo de carga de 1 hora.
2. Cuando el ciclo de carga de 1 hora se complete, la luz permanecerá encendida en forma continua y ya no parpadeará. Esto indica que el paquete está completamente cargado y se puede utilizar en este momento.
3. Si se deja el paquete de baterías en el cargador después del ciclo de carga inicial de 1 hora, el cargador iniciará el modo Tune-Up automático. Este modo continúa hasta 8 horas o hasta que las celdas individuales del paquete de baterías estén igualados. Entonces el paquete de baterías está listo para usar y se puede retirar en cualquier momento durante el modo Tune-up.

4. Una vez que está completo el modo Tune-up, el cargador iniciará una carga de mantenimiento; el indicador rojo quedará encendido.

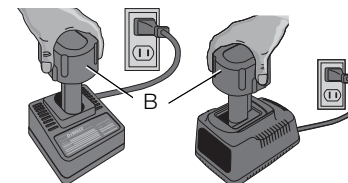
### Cargadores

Su herramienta utiliza un cargador DEWALT Asegúrese de leer todas las instrucciones de seguridad antes de usar el cargador. Consulte el gráfico al final del manual para conocer la compatibilidad entre los cargadores y los paquetes de baterías.

### Procedimiento de carga (Fig. 1)

**⚠ PELIGRO:** Riesgo de electrocución. Hay 120 voltios en los terminales de carga. No realice pruebas con objetos conductores. Esto puede provocar descargas eléctricas o electrocución.

1. Enchufe el cargador en una toma de corriente apropiada antes de insertar la unidad de batería.
2. Inserte la unidad de batería (B) en el cargador, como se muestra en la Fig. 1, comprobando que quede bien colocado dentro del mismo. La luz roja (de carga) parpadeará continuamente para indicar que se ha iniciado el proceso de carga.
3. La luz roja se quedará encendida continuamente cuando se haya completado el proceso de carga. La unidad estará entonces completamente cargada y podrá ser utilizada de inmediato o dejarse en el cargador.



## Operación de la luz indicadora

PAQUETE CARGANDO.....	
COMPLETAMENTE CARGADO.....	
RETRASO POR PAQUETE CALIENTE/FRÍO.....	
REEMPLAZAR PAQUETE.....	
LÍNEA DE POTENCIA CON PROBLEMAS.....	

## Indicadores de carga

Algunos cargadores están diseñados para detectar determinados problemas que pueden surgir con los paquetes de baterías. Los problemas se indican con una luz roja que se encenderá y apagará rápidamente. De ser así, vuelva a introducir el paquete de baterías en el cargador. Si el problema persiste, intente utilizar un paquete de baterías diferente para determinar si el cargador está en buenas condiciones. Si el nuevo paquete se carga correctamente significa que el paquete original es defectuoso y debe devolverse a un centro de mantenimiento u otro sitio de recopilación para su reciclado. Si el nuevo paquete de baterías presenta el mismo problema que el original, haga probar el cargador en un centro de mantenimiento autorizado.

### RETRASO POR PAQUETE CALIENTE/FRÍO

Algunos cargadores pueden tener una función de Retraso por paquete caliente/frío: cuando el cargador detecta una batería caliente, enciende automáticamente un Retraso por paquete caliente que suspende la carga hasta que la batería se enfría. Después de que la batería se ha enfriado, el cargador cambia automáticamente al modo de Paquete cargando. Esta función garantiza la duración

máxima de la batería. La luz roja se enciende y apaga durante períodos prolongados, y durante períodos cortos durante el modo de Retraso por paquete caliente.

### LÍNEA DE POTENCIA CON PROBLEMAS

Algunos cargadores tienen un indicador de Línea de potencia con problemas. Cuando el cargador se utiliza con algunas fuentes de potencia portátiles, como generadores o fuentes que convierten CC a CA, el cargador puede suspender temporalmente el funcionamiento, **ocasión en la que la luz roja se encenderá y apagará rápidamente dos veces, seguido de una pausa.** Esto indica que la fuente de alimentación está fuera de los límites.

### DEJAR EL PAQUETE DE BATERÍAS EN EL CARGADOR

El cargador y el paquete de baterías se pueden dejar conectados con la luz roja encendida indefinidamente. El cargador mantendrá el paquete de baterías como nuevo y completamente cargado.

**NOTA:** El paquete de baterías perderá lentamente su carga si se mantiene fuera del cargador. Si el paquete de baterías no ha permanecido en carga de mantenimiento, podría ser necesario cargarlo nuevamente antes de su uso. Un paquete de baterías también podría perder su carga lentamente si se deja en un cargador que no esté conectado a un suministro de CA apropiado.

**PAQUETES DE BATERÍAS AGOTADAS:** Los cargadores también pueden detectar un paquete de baterías agotado. Estas baterías aún se pueden utilizar, pero no se espera que realicen mucho trabajo. El cargador indicará cuándo reemplazar el paquete de baterías.

## Notas importantes sobre la carga

1. Se puede obtener una mayor duración y un mejor rendimiento si la unidad de batería se carga a una temperatura ambiente de 18–24 °C (65–75 °F). NO cargue la unidad de batería a una temperatura ambiental inferior a +4.5 °C (+40 °F) o superior a

- +40.5 °C (+105 °F). Esto es importante y evitará causar daños graves a la batería.
2. Puede que el cargador y la unidad de batería se calienten ligeramente durante el proceso de carga. Esto es normal y no representa ningún problema. Para facilitar el enfriamiento de la unidad de batería después del uso, evite colocar el cargador o la unidad de batería en un lugar cálido, como un cobertizo metálico o un remolque sin aislamiento térmico.
  3. Si la unidad de batería no se carga correctamente:
    - a. Verifique el funcionamiento de la toma enchufando una lámpara u otro aparato;
    - b. Revise que la toma de corriente no esté conectada a un interruptor de luz que corte la corriente cuando se corte la luz;
    - c. Mueva el cargador y la unidad de batería a un lugar donde la temperatura ambiental sea aproximadamente 18–24 °C (65–75 °F);
    - d. Si el problema de carga continúa, lleve la herramienta, unidad de batería y el cargador a su centro de servicio local.
  4. La unidad de batería debería ser recargada cuando no sea capaz de producir suficiente potencia para trabajos que eran fácilmente realizados antes. NO CONTINÚE usándola bajo estas circunstancias. Siga el procedimiento de carga. También puede cargar una unidad de batería que haya sido usada parcialmente cuando lo desee, sin dañarla.
  5. En determinadas condiciones, estando el cargador enchufado en el tomacorriente, algunos materiales extraños pueden provocar un cortocircuito en los contactos de carga expuestos dentro del cargador. Los materiales ajenos conductores por naturaleza, tales como, pero sin limitarse a, el polvo del esmerilado, las virutas metálicas, la lana de acero, el papel de aluminio o cualquier acumulación de partículas metálicas deberían mantenerse

alejados de las cavidades del cargador. Desenchufe siempre el cargador de la toma de corriente cuando no haya una unidad de batería en su cavidad. Desenchufe el cargador antes de intentar limpiarlo.

6. No congele ni sumerja el cargador en agua o cualquier otro líquido.

**⚠ADVERTENCIA:** Peligro de descarga eléctrica. No permita que ningún líquido se introduzca en el cargador. Puede producir descargas eléctricas.

**⚠ADVERTENCIA:** Peligro de quemaduras. Nunca intente abrir la unidad de batería por ningún motivo. Si la caja plástica de la unidad de batería se triza o rompe, llévela a un centro de servicio para su reciclaje.

### **Recomendaciones de almacenamiento**

1. El mejor lugar de almacenamiento es uno que sea fresco y seco, lejos de la luz solar directa y del exceso de calor o frío.
2. Para resultados óptimos durante tiempos prolongados de almacenamiento, se recomienda almacenar la unidad de batería completamente cargada en un lugar fresco y seco fuera del cargador.

**NOTA:** Las unidades de batería no deberían almacenarse completamente descargadas. La unidad de batería deberá recargarse antes de ser usada.

## **GUARDE ESTAS INSTRUCCIONES PARA FUTURAS CONSULTAS**

### **COMPONENTES (Fig. 2)**

**⚠ADVERTENCIA:** Nunca modifique la herramienta eléctrica, ni tampoco ninguna de sus piezas. Podría producir lesiones corporales o daños.



- |                                      |                                   |
|--------------------------------------|-----------------------------------|
| A. Botón de liberación de la batería | G. Base                           |
| B. Paquete de baterías               | H. Palanca de acción de corte     |
| C. Conmutador tipo gatillo           | I. Control del soplador de polvo  |
| D. Botón de bloqueo                  | J. Cubierta protectora de la base |
| E. Palanca de la hoja                |                                   |
| F. Palanca de bise                   |                                   |

## OPERACIÓN

**⚠ADVERTENCIA:** Para reducir el riesgo de lesiones personales graves, apague la herramienta y desconéctela de la fuente de alimentación antes de instalar y retirar accesorios, ajustar o cambiar configuraciones o realizar reparaciones. Un arranque accidental podría causar lesiones.

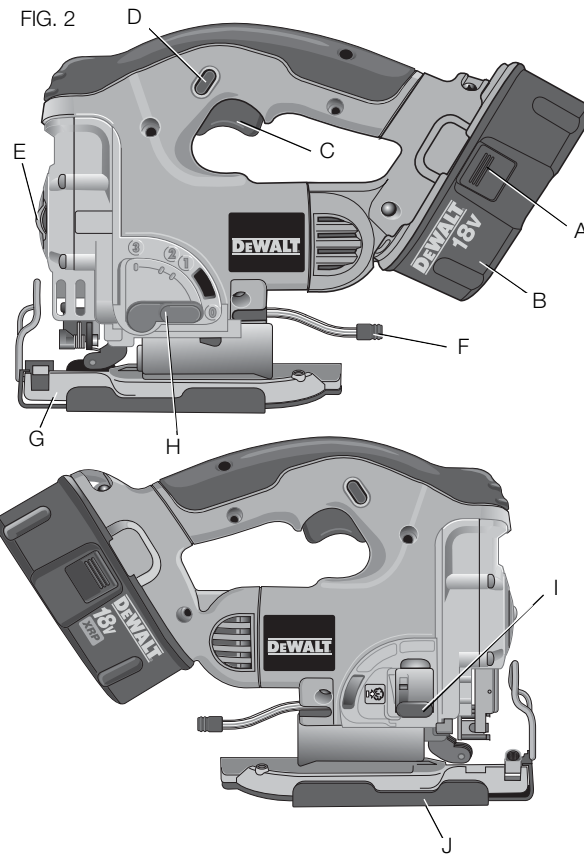
### Cómo instalar y retirar la unidad de batería (Fig. 3)

**⚠ATENCIÓN:** Bloquee el conmutador tipo gatillo antes de retirar o insertar la batería.

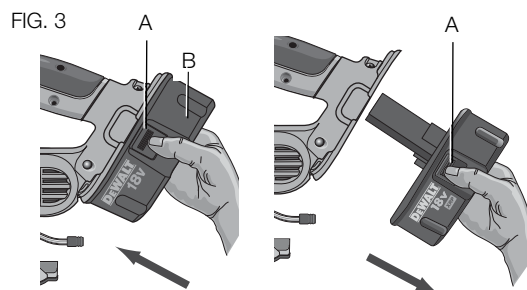
**NOTA:** Para mejores resultados, verifique que su unidad de batería esté completamente cargada.

Para instalar la unidad de batería (B) en el mango de la herramienta, alinee la muesca de la parte interior del mango de la herramienta con la unidad de batería y deslícela firmemente en el mango hasta escuchar activarse el seguro, como lo muestra la Figura 3.

Para retirar la unidad de alimentación de la herramienta, presione los botones de liberación (A) y tire firmemente de la unidad de alimentación para sacarla del mango de la herramienta. Insértela en el cargador tal como se describe en la sección del cargador de este manual.







### Conmutador tipo gatillo (Fig. 1, 4)

Para arrancar la sierra de vaivén, apriete el conmutador tipo gatillo (C). Para hacer que la sierra opere a una velocidad menor y detenerla completamente, suelte el conmutador tipo gatillo.

### VELOCIDAD VARIABLE

Mientras presione el conmutador tipo gatillo, las oscilaciones por minuto seguirán aumentando. Mientras suelte el gatillo, las oscilaciones por minuto de la hoja disminuirán.

El botón de bloqueo (D) debería ser presionado siempre que la herramienta no esté en uso para eliminar la posibilidad de arranque accidental.

FIG. 4



### Instalación y desinstalación de la hoja (Fig. 5, 10)

**⚠ATENCIÓN:** No toque las hojas usadas, puede que estén calientes. Podría resultar en lesiones corporales.

#### PARA INSTALAR UNA HOJA

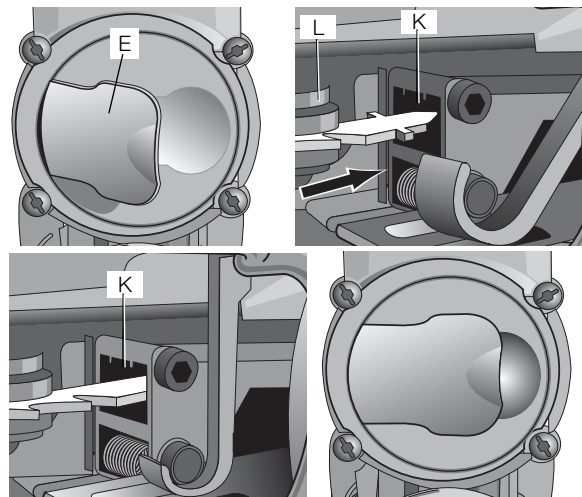
**NOTA:** Esta sierra de vaivén usa sólo hojas para sierra de vaivén con vástagos tipo T.

**NOTA:** La hoja de corte al ras DW3311 sólo puede ser usada con sierras de vaivén marca DEWALT modelos DW331, DC330, DC308 y DC318.

**NOTA:** Cuando instale hojas de corte al ras (DW3311), se debe retirar el dispositivo contra astillas (N, Fig. 10) y la base debe encontrarse en la posición de tope 0° positivo.

1. Levante la palanca sin llave de la hoja (E), como lo muestra la Figura 5.
2. Inserte la hoja con vástago tipo T en el mecanismo de sujeción (K) al tiempo que guía la parte posterior de la hoja en la ranura de los rodillos de guía (L).
3. El vástago tipo T debería encontrarse completamente dentro del mecanismo de sujeción como lo muestra la Figura 5.
4. Suelte la palanca sin llave de la hojas.

FIG. 5



### PARA RETIRAR UNA HOJA

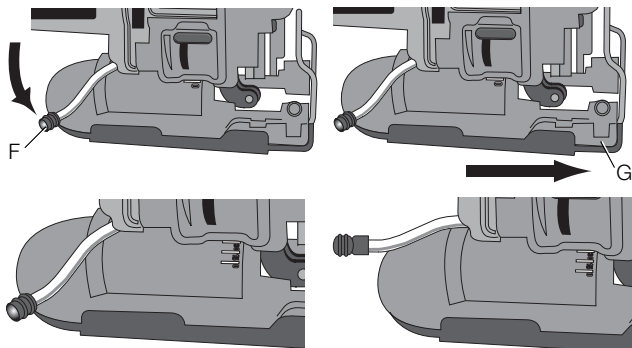
1. Levante la palanca sin llave de la hoja (E).
2. Sacuda ligeramente para hacer que la hoja se salga.

### Biselado de la base (Fig. 6)

Para desbloquear la base, tire de la palanca de bisel sin llave (F) a un lado.

Para bloquear la base, empuje la palanca de bisel sin llave de modo que vuelva a estar debajo del cuerpo de la sierra de vaivén.

FIG. 6



### PARA BISELAR LA BASE

1. Desbloquee la base.
2. Deslícela (G) hacia adelante para liberarla de la posición de tope de 0° positivo.

3. La base puede ser biselada a la izquierda o derecha y tiene topes en 15°, 30° y 45°. La base se puede detener manualmente en cualquier grado entre 0° y 45°.
4. Una vez que el ángulo de bisel deseado sea logrado, bloquee la base en su lugar.

### PARA PONER LA BASE EN 0°

1. Desbloquee la base.
2. Gírela de vuelta a 0°.
3. Deslícela de regreso a la posición de tope en 0° positivo.
4. Bloquee la base.

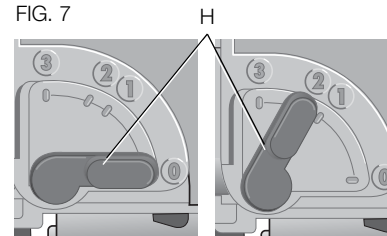
### Acción de corte – Orbital o recto (Fig. 7)

Esta sierra de vaivén viene equipada para cortar de cuatro formas, tres tipos de corte orbital y uno recto. La acción orbital tiene un movimiento más agresivo de hoja y está diseñada para cortar materiales blandos como madera o plástico. La acción orbital ofrece un corte más rápido pero menos suave en el material. En una acción orbital, la hoja se mueve hacia adelante durante la oscilación del corte además del movimiento vertical.

**NOTA:** Jamás se deberían cortar metales o maderas duras con acción orbital.

Para ajustar la acción de corte, mueva la palanca de acción de corte (H) entre las cuatro posiciones de corte: 0, 1, 2 y 3. La posición 0 es un corte recto. Las posiciones 1, 2 y 3 son de corte orbital. La agresividad del corte aumenta en la medida que la palanca se ajuste de uno a tres, siendo tres el corte más agresivo.

FIG. 7



### Soplador de polvo (Fig. 8)

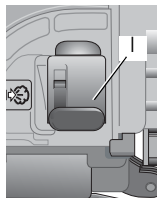
El soplador de polvo ayuda a despejar el área de corte del material de desecho creado por la hoja.

**NOTA:** Cuando corte metales, apague el soplador de polvo para que los flúidos de corte no sean sopladados en dirección opuesta a la hoja.

**Para encender el soplador de polvo,** deslice el control del soplador de polvo (I) completamente hacia arriba.

**Para apagar el soplador de polvo,** deslice el control del soplador de polvo completamente hacia abajo.

FIG. 8



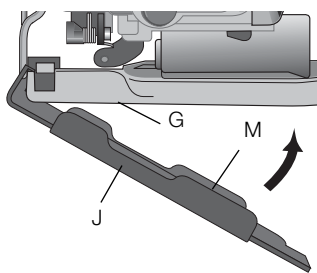
### Cubierta protectora removible de la base (Fig. 9)

La cubierta protectora de la base (J) debería ser usada cuando corte superficies que se rallan fácilmente, como aquellas que son laminadas, enchapadas o pintadas.

Para colocar la cubierta protectora de la base, ponga la parte delantera de la base de aluminio (G) en la parte delantera de la cubierta protectora de la base (J) y baje la sierra de vaivén. La cubierta protectora de la base se fijará bien a la parte posterior de la base de aluminio.

Para retirar la cubierta protectora de la base, tome la cubierta protectora de la base de la parte inferior de ella; sujetando ambas lengüetas posteriores (M), retire la cubierta protectora de la base.

FIG. 9

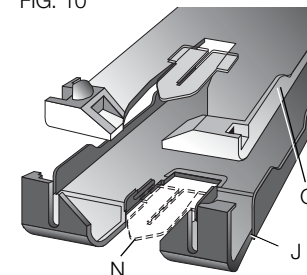


### Dispositivo contra astillas (Fig. 10)

**NOTA:** No use el dispositivo contra astillas con la hoja de corte al ras.

El dispositivo contra astillas (N) se debería utilizar cuando intente minimizar las rasgaduras, especialmente cuando corte superficies enchapadas, laminadas o terminadas, como aquellas que son pintadas. El dispositivo contra astillas debería ser instalado en la cubierta protectora de la base (J). Si no se usa la cubierta protectora de la base, instale el dispositivo contra astillas en la base (G).

FIG. 10



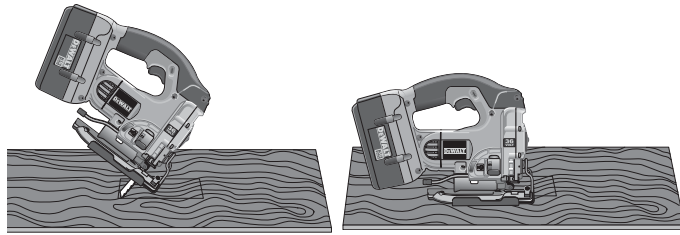
### Corte

**¡ADVERTENCIA:** La sierra vaivén no debería operarse si no tiene puesta la base. De lo contrario, podría resultar en lesiones corporales serias.

### CORTES DE ORIFICIOS (FIG. 11)

Un corte de orificio es un método sencillo para hacer un corte interior. La sierra se puede insertar directamente en el panel o tabla sin antes perforarlo para guiar el corte. En los cortes de orificio, mida la superficie a cortar y márquela claramente con un lápiz. Luego incline la sierra hacia adelante hasta que el extremo delantero de la base quede firmemente sentada sobre la superficie de trabajo y la hoja sea capaz de cortar el grosor completo con una oscilación completa. Encienda la herramienta y deje que alcance su velocidad máxima. Sostenga firmemente la sierra y baje el borde posterior de la herramienta lentamente, hasta que la hoja alcance el máximo de profundidad. Sostenga la base al ras de la madera y comience a cortar. No retire la hoja del corte mientras se siga moviendo. La hoja debe detenerse por completo.

FIG. 11



### CORTE AL RAS (FIG. 12)

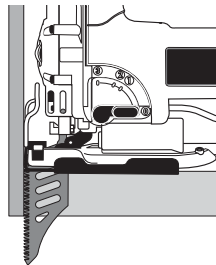
Un corte al ras es necesario cuando se terminen cortes que irán contra una pared u obstáculo, como un respaldo. Una de las formas más sencillas de hacer el corte al ras es usando una hoja para cortes al ras (DW3311). La hoja para cortes al ras ofrece el alcance necesario para cortar hasta el borde delantero de la base de la sierra de vaivén. Retire el dispositivo contra astillas y regrese la base a la posición de tope en 0° positivo antes de instalar y utilizar la hoja de corte al ras. Para un corte de mejor calidad, la hoja de corte al ras debería ser utilizada en la posición 0 u orbital 1.

La hoja de corte al ras no debería ser utilizada para iniciar el corte porque este tipo de hoja no permite que la base sea respaldada por la superficie de trabajo. Siga las prácticas para cortar madera detalladas más abajo.

### CORTE DE MADERA

En todo momento, sostenga correctamente la pieza de trabajo. Use la velocidad mayor para cortar madera. No intente girar la herramienta

FIG. 12



cuando la hoja esté contra el material a cortar. Esto podría estancar el motor. Coloque la parte delantera de la base en el material al cortar y sostenga la base de la sierra de vaivén firmemente contra la madera mientras la corte. No fuerce la herramienta; deje que la hoja corte a su propia velocidad. Cuando el corte esté completo, apague la sierra de vaivén. Deje que la hoja se detenga completamente y luego ponga la sierra a un lado antes de liberar la pieza.

### CORTE DE METALES

Cuando corte láminas de metal, es mejor si sujeta una pieza de madera a la parte de abajo de la lámina; esto asegurará que se haga un corte limpio sin riesgo de vibración o rasgadura del metal. Siempre recuerde usar una hoja más fina para metales ferrosos (para aquellos que contengan mucho hierro); y use una hoja más gruesa para metales no ferrosos (que no contienen hierro). Use la velocidad mayor para cortar metales blandos (aluminio, cobre, latón, acero suave, cañería galvanizada, ductos de láminas de metal, etc.). Use la velocidad menor para cortar plásticos, azulejos, superficies laminadas, metales duros y hierro fundido.

### MANTENIMIENTO

**⚠️ ADVERTENCIA:** Para reducir el riesgo de lesiones personales graves, apague la herramienta y desconéctela de la fuente de alimentación antes de instalar y retirar accesorios, ajustar o cambiar configuraciones o realizar reparaciones. Un arranque accidental podría causar lesiones.

### Limpieza

**⚠️ ADVERTENCIA:** Sople la suciedad y el polvo de todos los conductos de ventilación con aire seco, al menos una vez por semana. Para reducir el riesgo de lesiones, utilice siempre protección para los ojos aprobada ANSI Z87.1 al realizar esta tarea.

**⚠️ ADVERTENCIA:** Nunca utilice solventes ni otros químicos abrasivos para limpiar las piezas no metálicas de la herramienta.

Estos productos químicos pueden debilitar los materiales plásticos utilizados en estas piezas. Utilice un paño humedecido sólo con agua y jabón neutro. Nunca permita que penetre líquido dentro de la herramienta ni sumerja ninguna de las piezas en un líquido.

#### **INSTRUCCIONES DE LIMPIEZA DEL CARGADOR**

**⚠️ ADVERTENCIA:** Riesgo de descarga eléctrica. Desconecte el cargador del tomacorriente de CA antes de limpiarlo. Se puede usar un paño o un cepillo suave, que no sea metálico, para quitar la suciedad y la grasa de la parte externa del cargador. No use agua ni cualquier otra solución de limpieza.

#### **Accesorios**

**⚠️ ADVERTENCIA:** Debido a que no se han probado con este producto otros accesorios que no sean los que ofrece DEWALT., el uso de dichos accesorios con esta herramienta podría ser peligroso. Para reducir el riesgo de lesiones, con este producto deben usarse sólo los accesorios recomendados por DEWALT.

Los accesorios que se recomiendan para utilizar con la herramienta están disponibles a un costo adicional en su distribuidor local o en un centro de mantenimiento autorizado. Si necesita ayuda para localizar algún accesorio, póngase en contacto con DEWALT Industrial Tool Co., 701 East Joppa Road, Baltimore, MD 21286, llame al 1-800-4-DEWALT (1-800-433-9258) o visite nuestro sitio web: [www.dewalt.com](http://www.dewalt.com).

**NOTA:** La hoja de corte al ras DW3311 sólo puede ser usada con sierras de vaivén marca DEWALT modelos DW331, DC330, DC308 y DC318.

#### **Reparaciones**

El cargador y las unidades de batería no pueden ser reparados. Para asegurar la SEGURIDAD y la CONFIABILIDAD del producto, las reparaciones, el mantenimiento y los ajustes deben (inclusive inspección y cambio de carbones) ser realizados en un centro de

mantenimiento en la fábrica DEWALT, en un centro de mantenimiento autorizado DEWALT u por otro personal de mantenimiento calificado. Utilice siempre piezas de repuesto idénticas.

#### **PARA REPARACIÓN Y SERVICIO DE SUS HERRAMIENTAS ELÉCTRICAS, FAVOR DE DIRIGIRSE AL CENTRO DE SERVICIO MÁS CERCANO**

##### **CULIACAN, SIN**

Bld.Emiliano Zapata 5400-1 Poniente  
Col. San Rafael (667) 717 89 99

##### **GUADALAJARA, JAL**

Av. La Paz #1779 -  
Col. Americana Sector Juárez (33) 3825 6978

##### **MEXICO, D.F.**

Eje Central Lázaro Cárdenas No. 18  
Local D, Col. Obrera (55) 5588 9377

##### **MERIDA, YUC**

Calle 63 #459-A - Col. Centro (999) 928 5038

##### **MONTERREY, N.L.**

Av. Francisco I. Madero 831 Poniente -  
Col. Centro (818) 375 23 13

##### **PUEBLA, PUE**

17 Norte #205 - Col. Centro (222) 246 3714

##### **QUERETARO, QRO**

Av. San Roque 274 - Col. San Gregorio (442) 2 17 63 14

##### **SAN LUIS POTOSI, SLP**

Av. Universidad 1525 - Col. San Luis (444) 814 2383

##### **TORREON, COAH**

Bld. Independencia, 96 Pte. - Col. Centro (871) 716 5265

##### **VERACRUZ, VER**

Prolongación Díaz Mirón #4280 - Col. Remes (229) 921 7016

**VILLAHERMOSA, TAB**

Constitución 516-A - Col. Centro (993) 312 5111

**PARA OTRAS LOCALIDADES:****Si se encuentra en México, por favor llame al (55) 5326 7100****Si se encuentra en U.S., por favor llame al  
1-800-433-9258 (1-800 4-DEWALT)****Póliza de Garantía**

IDENTIFICACIÓN DEL PRODUCTO:

Sello o firma del Distribuidor.

Nombre del producto: \_\_\_\_\_

Mod./Cat.: \_\_\_\_\_ Marca: \_\_\_\_\_

Núm. de serie: \_\_\_\_\_

(Datos para ser llenados por el distribuidor)

Fecha de compra y/o entrega del producto: \_\_\_\_\_

Nombre y domicilio del distribuidor donde se adquirió el producto: \_\_\_\_\_

Este producto está garantizado por un año a partir de la fecha de entrega, contra cualquier defecto en su funcionamiento, así como en materiales y mano de obra empleados para su fabricación. Nuestra garantía incluye la reparación o reposición del producto y/o componentes sin cargo alguno para el cliente, incluyendo mano de obra, así como los gastos de transportación razonablemente erogados derivados del cumplimiento de este certificado.

Para hacer efectiva esta garantía deberá presentar su herramienta y esta póliza sellada por el establecimiento comercial donde se adquirió el producto, de no contar con ésta, bastará la factura de compra.

**EXCEPCIONES**

Esta garantía no será válida en los siguientes casos:

- Cuando el producto se hubiese utilizado en condiciones distintas a las normales;

- Cuando el producto no hubiese sido operado de acuerdo con el instructivo de uso que se acompaña;
- Cuando el producto hubiese sido alterado o reparado por personas distintas a las enlistadas al final de este certificado.

Anexo encontrará una relación de sucursales de servicio de fábrica, centros de servicio autorizados y franquiciados en la República Mexicana, donde podrá hacer efectiva su garantía y adquirir partes, refacciones y accesorios originales.

**Registro en línea**

Gracias por su compra. Registre su producto ahora para:

- **SERVICIO EN GARANTÍA:** Si completa esta tarjeta, podrá obtener un servicio en garantía más eficiente, en caso de que exista un problema con su producto.
- **CONFIRMACIÓN DE PROPIEDAD:** En caso de una pérdida que cubra el seguro, como un incendio, una inundación o un robo, el registro de propiedad servirá como comprobante de compra.
- **PARA SU SEGURIDAD:** Si registra el producto, podremos comunicarnos con usted en el caso improbable que se deba enviar una notificación de seguridad conforme a la Federal Consumer Safety Act (Ley Federal de Seguridad de Productos para el Consumidor).

Registro en línea en [www.dewalt.com/register](http://www.dewalt.com/register).**Garantía limitada por tres años**

DEWALT reparará, sin cargo, cualquier falla que surja de defectos en el material o la fabricación del producto, por hasta tres años a contar de la fecha de compra. Esta garantía no cubre fallas de las piezas causadas por su desgaste normal o abuso a la herramienta. Para mayores detalles sobre la cobertura de la garantía e información acerca de reparaciones realizadas bajo garantía, visítenos en [www.dewalt.com](http://www.dewalt.com) o diríjase al centro de servicio más cercano. Esta

garantía no aplica a accesorios o a daños causados por reparaciones realizadas o intentadas por terceros. Esta garantía le otorga derechos legales específicos, además de los cuales puede tener otros dependiendo del estado o la provincia en que se encuentre.

Además de la garantía, las herramientas DEWALT están cubiertas por:

### 1 AÑO DE SERVICIO GRATUITO

DEWALT mantendrá la herramienta y reemplazará las piezas gastadas por su uso normal, sin cobro, en cualquier momento durante un año a contar de la fecha de compra. Los artículos gastados por la clavadora, tales como la unidad de hoja y retorno del impulsador, no están cubiertas.

### 2 AÑOS DE SERVICIO GRATUITO PARA UNIDADES DE ALIMENTACIÓN DEWALT

DC9071, DC9091, DC9096, DC9182, DC9280, DC9360, DC9180, DCB120, DCB127, DCB201, DCB203 y DCB207

### 3 AÑOS DE SERVICIO GRATUITO PARA UNIDADES DE ALIMENTACIÓN DEWALT

DCB200, DCB204, DCB205

### UNIDADES DE BATERÍA DEWALT

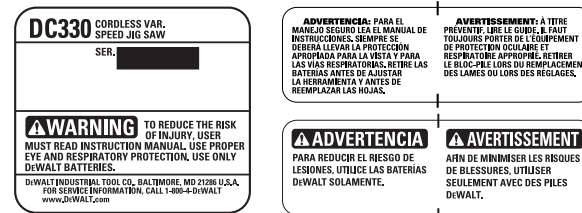
La garantía del producto quedará nula si la unidad de batería ha sido alterada de cualquier manera. DEWALT no es responsable de ninguna lesión causada por alteraciones y podría iniciar un procedimiento judicial por fraude de garantía hasta el máximo grado permisible por la ley.

### GARANTÍA DE REEMBOLSO DE SU DINERO POR 90 DÍAS

Si no está completamente satisfecho con el desempeño de su máquina herramienta, láser o clavadora DEWALT, cualquiera sea el motivo, podrá devolverlo hasta 90 días de la fecha de compra con su recibo y obtener el reembolso completo de su dinero – sin necesidad de responder a ninguna pregunta.

**AMÉRICA LATINA:** Esta garantía no se aplica a los productos que se venden en América Latina. Para los productos que se venden en América Latina, debe consultar la información de la garantía específica del país que viene en el empaque, llamar a la compañía local o visitar el sitio Web a fin de obtener esa información.

**REEMPLAZO GRATUITO DE LAS ETIQUETAS DE ADVERTENCIAS:** Si sus etiquetas de advertencia se vuelven ilegibles o faltan, llame al 1-800-433-9258 (1-800-4-DEWALT) para que se le reemplacen gratuitamente.



ESPECIFICACIONES		
Modelo	Volts	SPM
DC330	18,0	0-3 000

SOLAMENTE PARA PROPÓSITO DE MÉXICO:  
 IMPORTADO POR: DEWALT INDUSTRIAL TOOL CO. S.A. DE C.V.  
 AVENIDA ANTONIO DOVALI JAIME, # 70 TORRE B PISO 9  
 COLONIA LA FE, SANTA FÉ  
 CÓDIGO POSTAL : 01210  
 DELEGACIÓN ALVARO OBREGÓN  
 MÉXICO D.F.  
 TEL. (52) 555-326-7100  
 R.F.C.: BDE810626-1W7

Para servicio y ventas consulte  
**"HERRAMIENTAS ELECTRICAS"**  
 en la sección amarilla.



Español

DeWALT Battery and Charger Systems																												
		Chargers/Charge Time (Minutes) - Chargeurs/Durée de charge (Minutes) - Cargadores de baterías/Tiempo de carga (Minutos)																										
Battery Cat #	Output Voltage	120 Volts																		12 Volts								
		DC011	DC022	DC3000	DC3310	DC3320	DCB095	DCB100	DCB101	DCB102	DCB103	DCB106	DCB107	DCB112	DW911	DW9106	DW9107	DW9108	DW9116	DW9117	DW9118	DW9216	DW9226	DW0246	DCB119	DW0249	DW9109	DC9319
DC9360	36	X	X	45	X	X	X	X	X	X	X	X	X	X	X	X	X	X	X	X	X	X	X	X	X	X	X	
DCB361	36	X	X	45	X	X	X	X	X	X	X	X	X	X	X	X	X	X	X	X	X	X	X	X	X	X	X	
DC9280	28	X	X	60	X	X	X	X	X	X	X	X	X	X	X	X	X	X	X	X	X	X	X	X	X	X	X	
DW0242	24	X	X	X	X	X	X	X	X	X	X	X	X	X	X	X	X	X	X	X	X	X	X	60	X	60	X	X
DCB200	20	X	X	X	X	X	X	X	60	60	60	140	140	90	X	X	X	X	X	X	X	X	X	X	90	X	X	X
DCB201	20	X	X	X	X	X	X	X	30	30	30	70	70	45	X	X	X	X	X	X	X	X	X	X	45	X	X	X
DCB203	20	X	X	X	X	X	X	X	35	35	35	90	90	60	X	X	X	X	X	X	X	X	X	X	60	X	X	X
DCB204	20	X	X	X	X	X	X	X	70	70	70	185	185	120	X	X	X	X	X	X	X	X	X	X	120	X	X	X
DCB205	20	X	X	X	X	X	X	X	90	90	90	240	240	150	X	X	X	X	X	X	X	X	X	X	150	X	X	X
DCB207	20	X	X	X	X	X	X	X	30	30	30	60	60	40	X	X	X	X	X	X	X	X	X	X	X	X	X	X
DC9096	18	60	60	X	60	60	X	X	X	60	X	X	X	60	X	X	60	60	20	X	60	130	X	X	X	60	60	
DC9099	18	45	45	X	45	45	X	X	X	45	X	X	X	45	X	X	45	45	15	X	45	95	X	X	X	45	45	
DC9180	18	X	X	X	60	60	X	X	X	60	X	X	X	X	X	X	X	X	X	X	X	X	X	X	X	X	60	
DC9181	18	X	X	X	30	30	X	X	X	30	X	X	X	X	X	X	X	X	X	X	X	X	X	X	X	X	30	
DC9182	18	X	X	X	40	40	X	X	X	40	X	X	X	X	X	X	X	X	X	X	X	X	X	X	X	X	40	
DW9096	18	60	60	X	60	60	X	X	X	60	X	X	X	60	X	X	60	60	20	X	60	130	X	X	X	60	60	
DW9098	18	30	30	X	30	30	X	X	X	30	X	X	X	30	X	X	30	30	12	X	30	60	X	X	X	30	30	
DW9099	18	45	45	X	45	45	X	X	X	45	X	X	X	45	X	X	45	45	15	X	45	95	X	X	X	45	45	
DC9091	14.4	60	60	X	60	60	X	X	X	60	X	X	X	60	60	60	60	20	115	60	115	X	X	X	60	60		
DC9094	14.4	45	45	X	45	45	X	X	X	45	X	X	X	45	60	45	45	45	15	90	45	90	X	X	X	45	45	
DW9091	14.4	45	45	X	45	45	X	X	X	45	X	X	X	45	60	45	45	45	15	90	45	90	X	X	X	45	45	
DW9094	14.4	30	30	X	30	30	X	X	X	30	X	X	X	30	45	30	30	30	12	60	30	60	X	X	X	30	30	
DCB120	12	X	X	X	X	X	X	40	30	30	X	60	45	X	X	X	X	X	X	X	X	X	X	X	45	X	X	
DCB127	12	X	X	X	X	X	X	35	35	35	X	90	60	X	X	X	X	X	X	X	X	X	X	60	X	X	X	
DC9071	12	60	60	X	60	60	X	X	X	60	X	X	60	90	60	60	60	20	115	60	115	X	X	X	60	60		
DW9050	12	X	X	X	X	X	X	X	X	X	X	X	X	40	X	X	X	X	X	X	X	X	X	X	X	X	X	
DW9071	12	45	45	X	45	45	X	X	X	45	X	X	X	45	60	45	45	45	15	90	45	90	X	X	X	45	45	
DW9072	12	30	30	X	30	30	X	X	X	30	X	X	X	30	45	30	30	30	12	60	30	60	X	X	X	30	30	
DW9048	9.6	X	X	X	X	X	X	X	X	X	X	X	X	40	X	X	X	X	X	X	X	X	X	X	X	X	X	
DW9061	9.6	45	45	X	45	45	X	X	X	45	X	X	X	45	60	45	45	45	15	90	45	90	X	X	X	45	45	
DW9062	9.6	30	30	X	30	30	X	X	X	30	X	X	X	30	45	30	30	30	12	60	30	60	X	X	X	30	30	
DCB090	8	X	X	X	X	X	60	X	X	X	X	X	X	X	X	X	X	X	X	X	X	X	X	X	X	X	X	
DW9057	7.2	30	30	X	30	30	X	X	X	30	X	X	X	30	45	30	30	30	12	60	30	60	X	X	X	30	30	

"X" indicates that the battery pack is not compatible with that specific charger.  
 \*X\* indique que le bloc-piles n'est pas compatible avec ce chargeur.  
 Una "X" indica que el paquete de baterías no es compatible con ese determinado cargador.  
**All charge times are approximate. Actual charge time may vary. Read the instruction manual for more specific information.**  
 Les durées de charge sont approximatives; la durée de charge réelle peut varier. Lire le manuel d'utilisation pour obtenir des renseignements plus précis.  
 El tiempo de duración de carga es aproximado; la duración de carga real puede variar. Lea el manual de instrucciones para obtener información más precisa.

DeWALT Industrial Tool Co., 701 East Joppa Road, Baltimore, MD 21286  
 (JUL14) Part No. N399070 DC330 Copyright © 2004, 2006, 2008, 2012, 2014 DeWALT  
 The following are trademarks for one or more DeWALT power tools: the yellow and black color scheme; the "D" shaped air intake grill; the array of pyramids on the handgrip; the kit box configuration; and the array of lozenge-shaped humps on the surface of the tool.