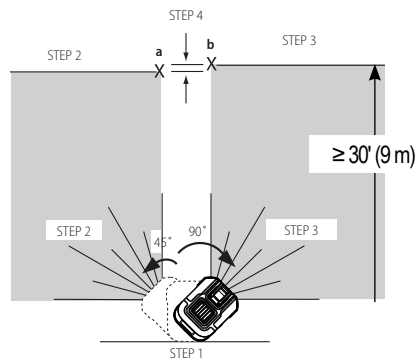
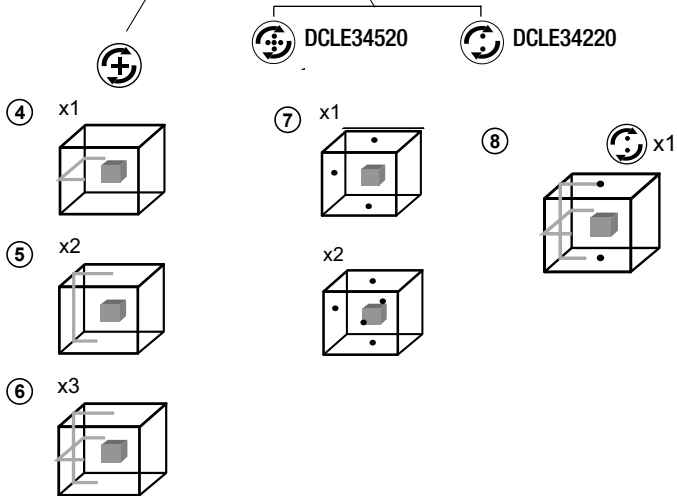
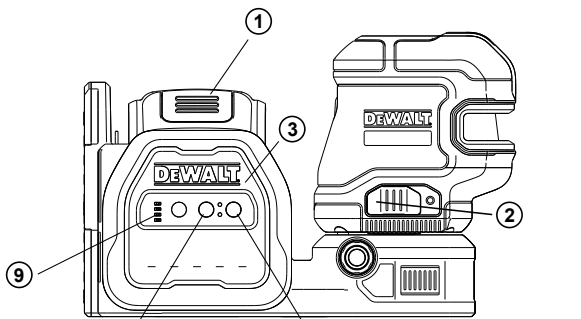
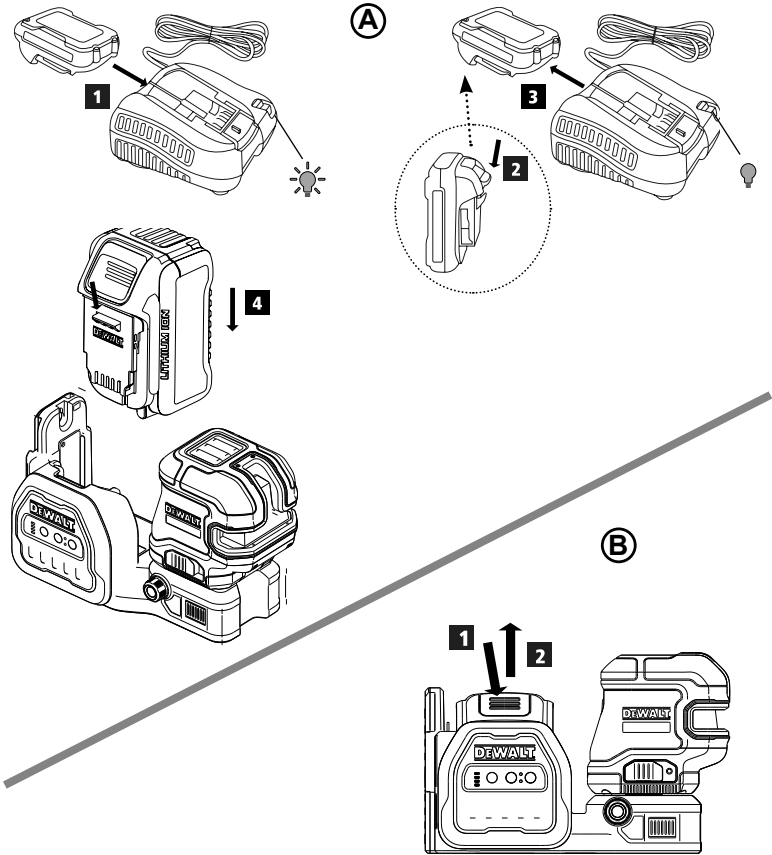
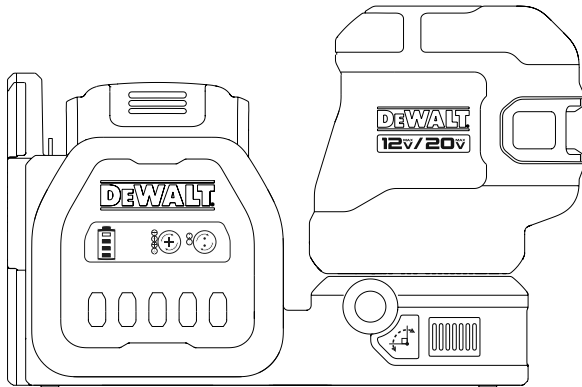


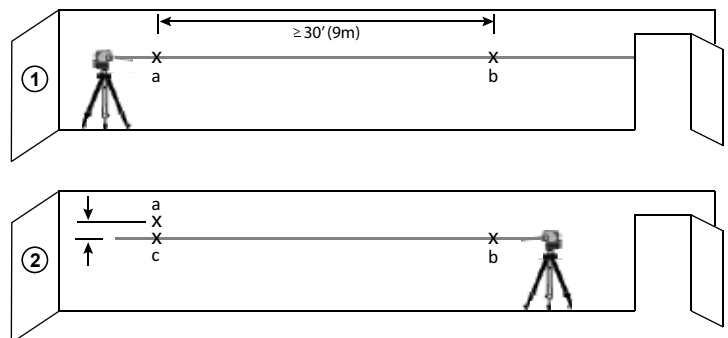
DEWALT

DCLE34220 2-Dot Cross Line Laser
DCLE34520 5-Dot Cross Line Laser



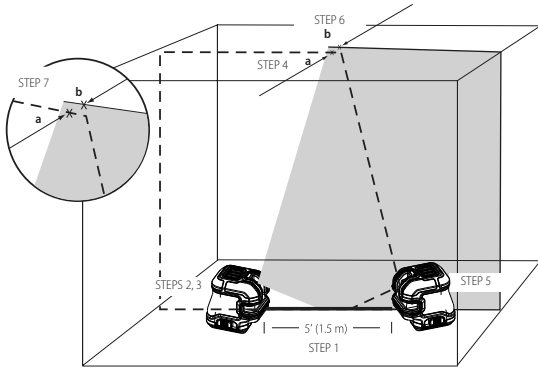
Distance Between Walls	Allowable Distance Between (a) and (b)
30'	1/8"
40'	5/32"
50'	7/32"

Distance Between Walls	Allowable Distance Between (a) and (b)
9.0 m	3.1 mm
12.0 m	4.2 mm
15.0 m	5.2 mm



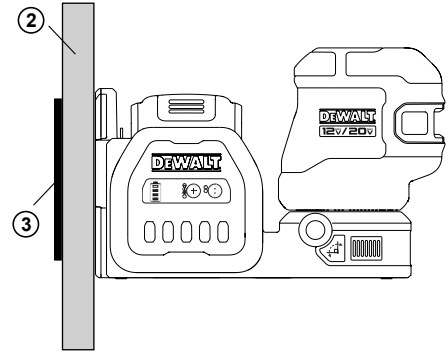
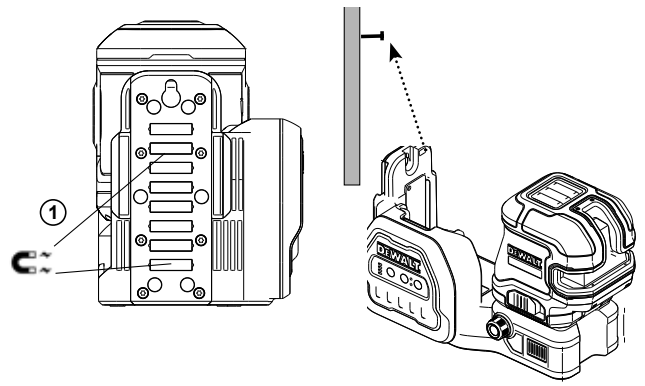
Distance Between Walls	Allowable Distance Between (a) and (c)
30'	1/4"
40'	5/16"
50'	13/32"

Distance Between Walls	Allowable Distance Between (a) and (c)
9.0 m	6.2 mm
12.0 m	8.3 mm
15.0 m	10.4 mm



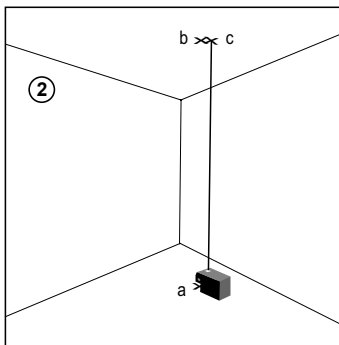
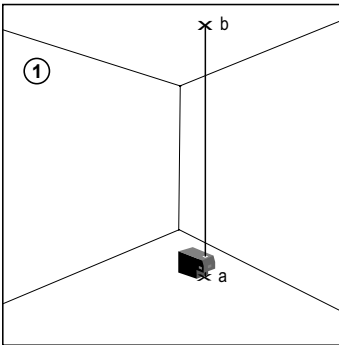
Distance Between Ceiling and Floor	Allowable Distance Between (a) and (b)
8'	1/16"
10'	3/32"
14'	1/8"
20'	3/16"

Distance Between Ceiling and Floor	Allowable Distance Between (a) and (b)
2.5 m	1.7 mm
3.0 m	2.1 mm
4.0 m	2.8 mm
6.0 m	4.1 mm



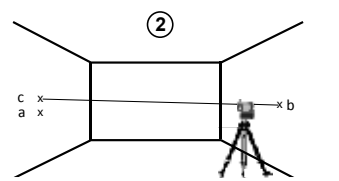
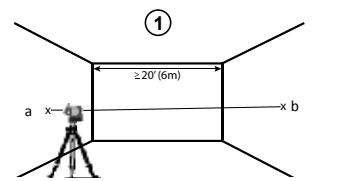
© 2020 DEWALT Industrial Tool Co.
701 East Joppa Road
Towson, Maryland 21286
www.DEWALT.com

12/20 N856414



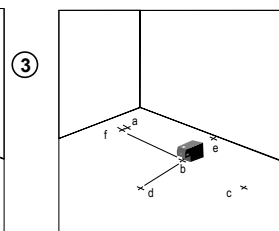
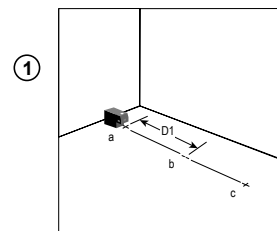
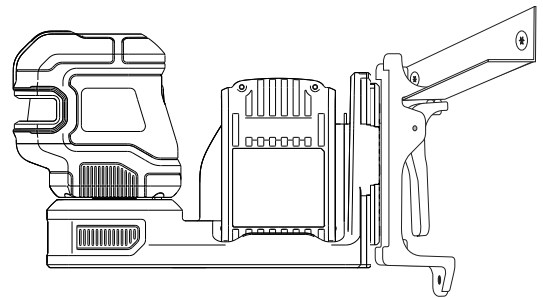
Distance Between Ceiling & Floor	Allowable Distance Between (b) & (c)
8'	1/16"
10'	3/32"
14'	1/8"
20'	3/16"

Distance Between Ceiling & Floor	Allowable Distance Between (b) & (c)
2.5 m	1.7 mm
3.0 m	2.1 mm
4.0 m	2.8 mm
6.0 m	4.1 mm

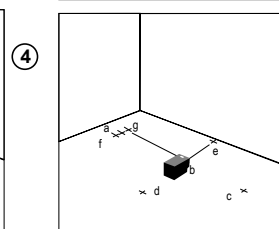
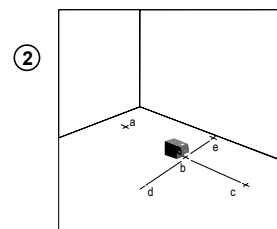


Distance Between Walls	Allowable Distance Between (a) & (c)
20'	3/16"
30'	1/4"
50'	7/16"

Distance Between Walls	Allowable Distance Between (a) & (c)
6.0 m	4.1 mm
9.0 m	6.2 mm
15.0 m	10.2 mm



Distance (D1)	Allowable Distance Between (a) & (f) or (a) & (e)
20'	7/32"
30'	5/16"
50'	17/32"



Distance (D1)	Allowable Distance Between (a) & (f) or (a) & (g)
6.0 m	5.3 mm
9.0 m	7.9 mm
15.0 m	13.1 mm

