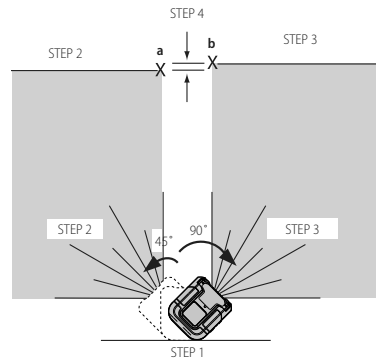
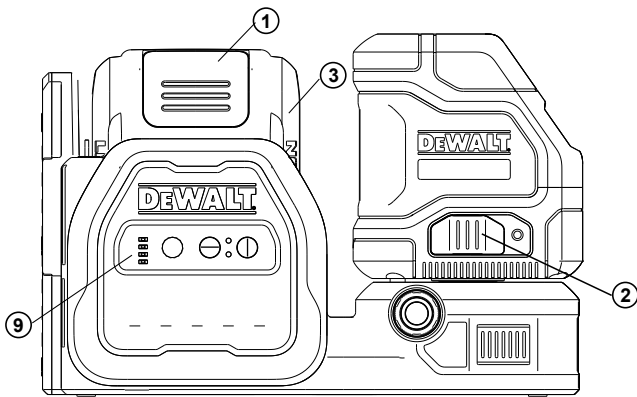
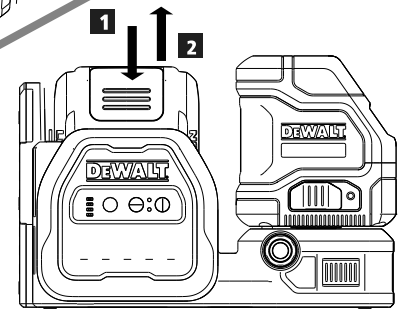
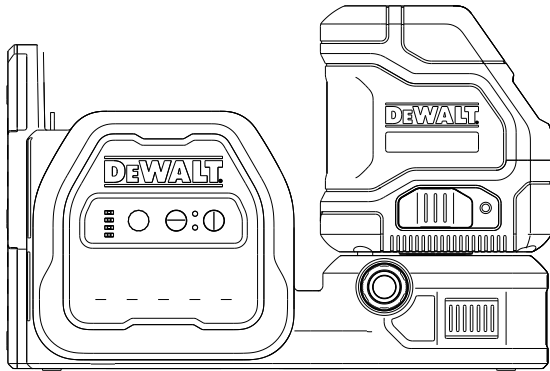
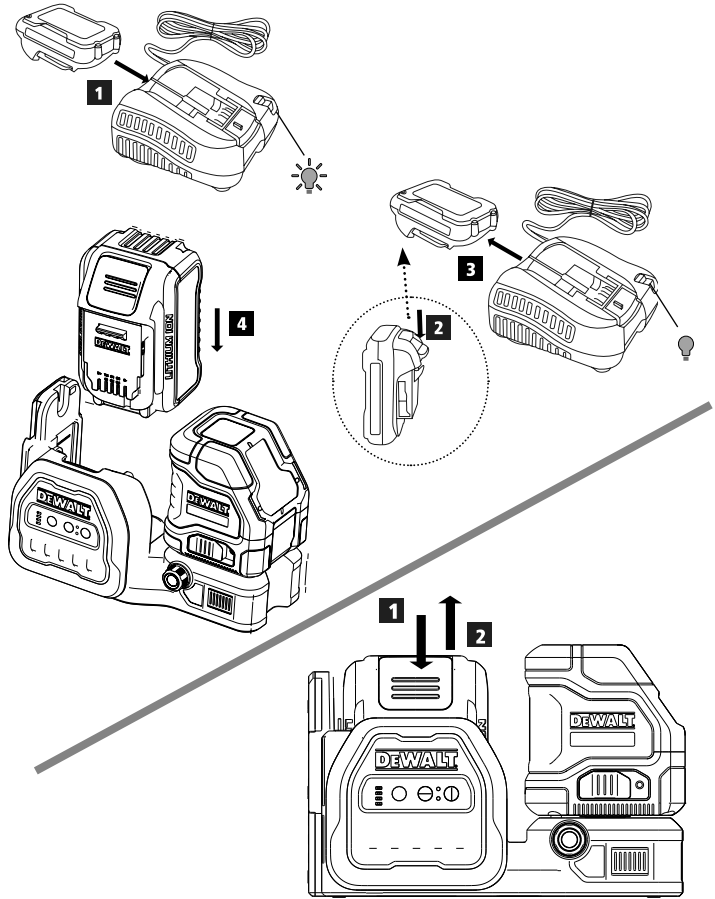


DEWALT

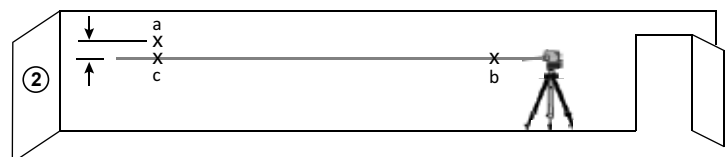
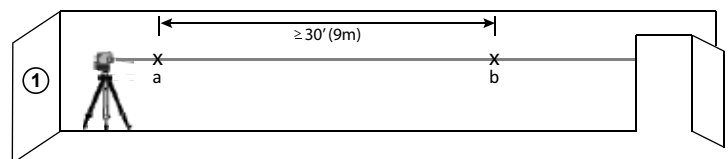
DCLE34020 Cross Line Laser



Distance Between Walls	Allowable Distance Between (a) and (b)
30'	1/8"
40'	5/32"
50'	7/32"

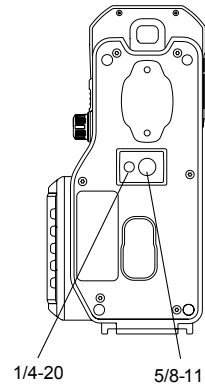
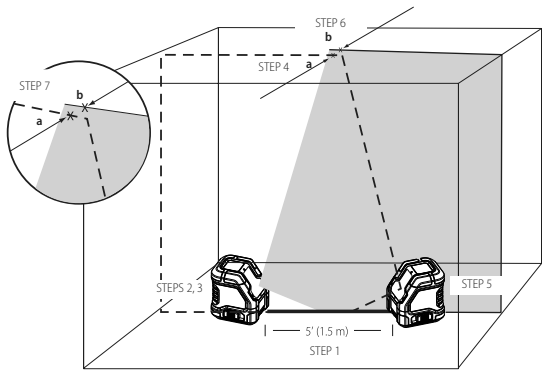
Distance Between Walls	Allowable Distance Between (a) and (b)
9.0 m	3.1 mm
12.0 m	4.2 mm
15.0 m	5.2 mm

- ④ x1
- ⑤ x2
- ⑥ x3



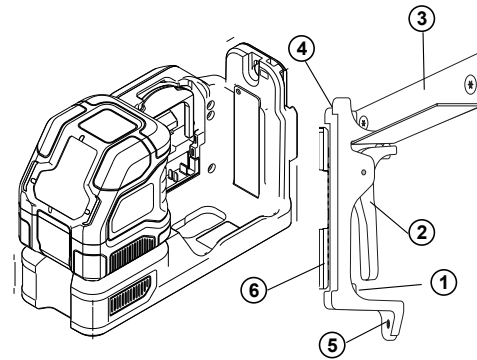
Distance Between Walls	Allowable Distance Between (a) and (c)
30'	1/4"
40'	5/16"
50'	13/32"

Distance Between Walls	Allowable Distance Between (a) and (c)
9.0 m	6.2 mm
12.0 m	8.3 mm
15.0 m	10.4 mm



Distance Between Walls	Allowable Distance Between Ⓐ and Ⓑ
8'	1/8"
10'	3/16"
14'	1/4"
20'	3/8"

Distance Between Walls	Allowable Distance Between Ⓐ and Ⓑ
2.5 m	3.4 mm
3.0 m	4.2 mm
4.0 m	5.5 mm
6.0 m	8.2 mm



© 2020 DEWALT Industrial Tool Co.
 701 East Joppa Road
 Towson, Maryland 21286
 www.DEWALT.com

12/20 N856422

