

*If you have questions or comments, contact us.  
Pour toute question ou tout commentaire, nous contacter.  
Si tiene dudas o comentarios, contáctenos.*

**1-800-4-DEWALT • [www.dewalt.com](http://www.dewalt.com)**

**INSTRUCTION MANUAL  
GUIDE D'UTILISATION  
MANUAL DE INSTRUCCIONES**

INSTRUCTIVO DE OPERACIÓN, CENTROS DE SERVICIO Y PÓLIZA DE GARANTÍA. **ADVERTENCIA:** LÉASE ESTE INSTRUCTIVO ANTES DE USAR EL PRODUCTO.

---

# DEWALT®

---

**DCGG570  
18V Grease Gun  
Pistolet graisseur 18 v  
Pistola engrasadora de 18V**



### Definitions: Safety Guidelines

The definitions below describe the level of severity for each signal word. Please read the manual and pay attention to these symbols.

**⚠ DANGER:** Indicates an imminently hazardous situation which, if not avoided, **will** result in **death or serious injury**.

**⚠ WARNING:** Indicates a potentially hazardous situation which, if not avoided, **could** result in **death or serious injury**.

**⚠ CAUTION:** Indicates a potentially hazardous situation which, if not avoided, **may** result in **minor or moderate injury**.

**NOTICE:** Indicates a practice **not related to personal injury** which, if not avoided, **may** result in **property damage**.

IF YOU HAVE ANY QUESTIONS OR COMMENTS ABOUT THIS OR ANY DEWALT TOOL, CALL US TOLL FREE AT: **1-800-4-DEWALT (1-800-433-9258)**.



**WARNING:** To reduce the risk of injury, read the instruction manual.

### General Power Tool Safety Warnings



**WARNING!** Read all safety warnings and all instructions. Failure to follow the warnings and instructions may result in electric shock, fire and/or serious injury.

### SAVE ALL WARNINGS AND INSTRUCTIONS FOR FUTURE REFERENCE

The term "power tool" in the warnings refers to your mains-operated (corded) power tool or battery-operated (cordless) power tool.

#### 1) WORK AREA SAFETY

- a) **Keep work area clean and well lit.** Cluttered or dark areas invite accidents.
- b) **Do not operate power tools in explosive atmospheres, such as in the presence of flammable liquids, gases or dust.** Power tools create sparks which may ignite the dust or fumes.
- c) **Keep children and bystanders away while operating a power tool.** Distractions can cause you to lose control.

#### 2) ELECTRICAL SAFETY

- a) **Power tool plugs must match the outlet. Never modify the plug in any way. Do not use any adapter plugs with earthed (grounded) power tools.** Unmodified plugs and matching outlets will reduce risk of electric shock.
- b) **Avoid body contact with earthed or grounded surfaces such as pipes, radiators, ranges and refrigerators.** There is an increased risk of electric shock if your body is earthed or grounded.
- c) **Do not expose power tools to rain or wet conditions.** Water entering a power tool will increase the risk of electric shock.
- d) **Do not abuse the cord. Never use the cord for carrying, pulling or unplugging the power tool. Keep cord away from heat, oil, sharp edges or moving parts.** Damaged or entangled cords increase the risk of electric shock.
- e) **When operating a power tool outdoors, use an extension cord suitable for outdoor use.** Use of a cord suitable for outdoor use reduces the risk of electric shock.

- f) **If operating a power tool in a damp location is unavoidable, use a ground fault circuit interrupter (GFCI) protected supply.** Use of a GFCI reduces the risk of electric shock.

### 3) PERSONAL SAFETY

- a) **Stay alert, watch what you are doing and use common sense when operating a power tool. Do not use a power tool while you are tired or under the influence of drugs, alcohol or medication.** A moment of inattention while operating power tools may result in serious personal injury.
- b) **Use personal protective equipment. Always wear eye protection.** Protective equipment such as dust mask, non-skid safety shoes, hard hat, or hearing protection used for appropriate conditions will reduce personal injuries.
- c) **Prevent unintentional starting. Ensure the switch is in the off position before connecting to power source and/or battery pack, picking up or carrying the tool.** Carrying power tools with your finger on the switch or energizing power tools that have the switch on invites accidents.
- d) **Remove any adjusting key or wrench before turning the power tool on.** A wrench or a key left attached to a rotating part of the power tool may result in personal injury.
- e) **Do not overreach. Keep proper footing and balance at all times.** This enables better control of the power tool in unexpected situations.
- f) **Dress properly. Do not wear loose clothing or jewelry. Keep your hair, clothing and gloves away from moving parts.** Loose clothes, jewelry or long hair can be caught in moving parts.
- g) **If devices are provided for the connection of dust extraction and collection facilities, ensure these are connected and properly used.** Use of dust collection can reduce dust-related hazards.

### 4) POWER TOOL USE AND CARE

- a) **Do not force the power tool. Use the correct power tool for your application.** The correct power tool will do the job better and safer at the rate for which it was designed.
- b) **Do not use the power tool if the switch does not turn it on and off.** Any power tool that cannot be controlled with the switch is dangerous and must be repaired.
- c) **Disconnect the plug from the power source and/or the battery pack from the power tool before making any adjustments, changing accessories, or storing power tools.** Such preventive safety measures reduce the risk of starting the power tool accidentally.
- d) **Store idle power tools out of the reach of children and do not allow persons unfamiliar with the power tool or these instructions to operate the power tool.** Power tools are dangerous in the hands of untrained users.
- e) **Maintain power tools. Check for misalignment or binding of moving parts, breakage of parts and any other condition that may affect the power tool's operation. If damaged, have the power tool repaired before use.** Many accidents are caused by poorly maintained power tools.
- f) **Keep cutting tools sharp and clean.** Properly maintained cutting tools with sharp cutting edges are less likely to bind and are easier to control.
- g) **Use the power tool, accessories and tool bits, etc. in accordance with these instructions, taking into account the working conditions and the work to be performed.** Use of the power tool for operations different from those intended could result in a hazardous situation.

### 5) BATTERY TOOL USE AND CARE

- a) **Recharge only with the charger specified by the manufacturer.** A charger that is suitable for one type of battery

pack may create a risk of fire when used with another battery pack.

- b) **Use power tools only with specifically designated battery packs.** Use of any other battery packs may create a risk of injury and fire.
- c) **When battery pack is not in use, keep it away from other metal objects, like paper clips, coins, keys, nails, screws, or other small metal objects, that can make a connection from one terminal to another.** Shorting the battery terminals together may cause burns or a fire.
- d) **Under abusive conditions, liquid may be ejected from the battery; avoid contact. If contact accidentally occurs, flush with water. If liquid contacts eyes, additionally seek medical help.** Liquid ejected from the battery may cause irritation or burns.

#### 6) SERVICE

- a) **Have your power tool serviced by a qualified repair person using only identical replacement parts.** This will ensure that the safety of the power tool is maintained.

#### **Additional Safety Rules for Grease Guns**

- **Parts of the tool or the hose assembly can break or rupture due to high pressure. Risk of serious injury may occur.** Before using, always inspect the tool and hose assembly for damage or wear. Never use if any part of the tool is damaged or worn.
- **Use only DEWALT-approved flexible hoses.** Hold the hose only by the flexible hose safety spring guard to avoid personal serious injury.
- **If the hose kinks or is damaged, a rupture may occur which could cause serious injury.** Replace the hose at the first sign of wear, kink or damage.

- **Only use the grease recommended in this manual.** Refer to the Technical Information chart under **Using the Grease Gun.**
- **To reduce the risk of serious personal injury, do not use the grease gun around or on moving parts, mechanisms or running equipment.**
- **Air vents often cover moving parts and should be avoided.** Loose clothes, jewelry or long hair can be caught in moving parts.

**⚠ WARNING: Risk of injection or severe injury. Rupture of components can inject grease into skin or eyes, causing serious injury or infection. Do not treat as a simple cut. Seek immediate medical attention.**

**⚠ WARNING: Output can be at high pressure.** Do not direct discharge at yourself or others.

**⚠ WARNING: The grease gun may generate high pressure—up to 9,000 psi (620 bar). Always wear gloves during operation.** Keep hands clear of the exposed rubber portion of the hose.

**⚠ WARNING: Risk of fire. Grease may be flammable.** Do not expose to fire or high temperatures. Read and follow all warnings and instructions from the lubricant manufacturer.

**⚠ WARNING: ALWAYS use safety glasses.** Everyday eyeglasses are NOT safety glasses. Also use face or dust mask if cutting operation is dusty. ALWAYS WEAR CERTIFIED SAFETY EQUIPMENT:

- ANSI Z87.1 eye protection (CAN/CSA Z94.3),
- ANSI S12.6 (S3.19) hearing protection,
- NIOSH/OSHA/MSHA respiratory protection.

**⚠ WARNING: Some dust created by power sanding, sawing, grinding, drilling, and other construction activities contains chemicals known to the State of California to cause cancer, birth defects or other reproductive harm. Some examples of these chemicals are:**

- lead from lead-based paints,

- crystalline silica from bricks and cement and other masonry products, and
- arsenic and chromium from chemically-treated lumber.

Your risk from these exposures varies, depending on how often you do this type of work. To reduce your exposure to these chemicals: work in a well ventilated area, and work with approved safety equipment, such as those dust masks that are specially designed to filter out microscopic particles.

- **Avoid prolonged contact with dust from power sanding, sawing, grinding, drilling, and other construction activities. Wear protective clothing and wash exposed areas with soap and water.** Allowing dust to get into your mouth, eyes, or lay on the skin may promote absorption of harmful chemicals.

**⚠ WARNING:** Use of this tool can generate and/or disperse dust, which may cause serious and permanent respiratory or other injury. Always use NIOSH/OSHA approved respiratory protection appropriate for the dust exposure. Direct particles away from face and body.

**⚠ WARNING:** Always wear proper personal hearing protection that conforms to ANSI S12.6 (S3.19) during use. Under some conditions and duration of use, noise from this product may contribute to hearing loss.

**⚠ CAUTION:** When not in use, place tool on its side on a stable surface where it will not cause a tripping or falling hazard. Some tools with large battery packs will stand upright on the battery pack but may be easily knocked over.

- The label on your tool may include the following symbols. The symbols and their definitions are as follows:
 

V..... volts	A..... amperes
Hz..... hertz	W..... watts
min..... minutes	~ or AC..... alternating current
=== or DC... direct current	

Ⓛ.....	Class I Construction (grounded)	⚡ or AC/DC... alternating or direct current
Ⓜ.....	Class II Construction (double insulated)	n <sub>o</sub> ..... no load speed
.../min .....	per minute	n..... rated speed
BPM.....	beats per minute	Ⓧ..... earthing terminal
IPM.....	impacts per minute	⚠..... safety alert symbol
RPM.....	revolutions per minute	psi..... pounds per square inch
sfpm.....	surface feet per minute	
SPM.....	strokes per minute	

## Important Safety Instructions for All Battery Packs

When ordering replacement battery packs, be sure to include catalog number and voltage. Consult the chart at the end of this manual for compatibility of chargers and battery packs.

The battery pack is not fully charged out of the carton. Before using the battery pack and charger, read the safety instructions below. Then follow charging procedures outlined.

### READ ALL INSTRUCTIONS

- **Do not charge or use battery in explosive atmospheres, such as in the presence of flammable liquids, gases or dust.** Inserting or removing the battery from the charger may ignite the dust or fumes.
- **NEVER force battery pack into charger. DO NOT modify battery pack in any way to fit into a non-compatible charger**

**as battery pack may rupture causing serious personal injury.**

Consult the chart at the end of this manual for compatibility of batteries and chargers.

- Charge the battery packs only in DeWALT chargers.
- **DO NOT** splash or immerse in water or other liquids.
- **Do not store or use the tool and battery pack in locations where the temperature may reach or exceed 105 °F (40 °C) (such as outside sheds or metal buildings in summer).**

**⚠ DANGER:** Electrocutation hazard. Never attempt to open the battery pack for any reason. If battery pack case is cracked or damaged, do not insert into charger. Do not crush, drop or damage battery pack. Do not use a battery pack or charger that has received a sharp blow, been dropped, run over or damaged in any way (i.e., pierced with a nail, hit with a hammer, stepped on). Electric shock or electrocution may result. Damaged battery packs should be returned to service center for recycling.

**NOTE:** Battery storage and carrying caps are provided for use whenever the battery is out of the tool or charger. Remove cap before placing battery in charger or tool.



**⚠ WARNING: Fire hazard. Do not store or carry battery so that metal objects can contact exposed battery terminals.** For example, do not place battery in aprons, pockets, tool boxes, product kit boxes, drawers, etc., with loose nails, screws, keys, etc. without battery cap. **Transporting batteries can possibly cause fires if the battery terminals inadvertently come in contact with conductive materials such as keys, coins, hand tools and the like.** The U.S. Department of Transportation Hazardous Material Regulations (HMR) actually prohibit transporting batteries in commerce or on airplanes (i.e., packed in suitcases and carry-on luggage) UNLESS they are properly protected from short circuits. So when transporting individual batteries, make sure that the

battery terminals are protected and well insulated from materials that could contact them and cause a short circuit.

#### **SPECIFIC SAFETY INSTRUCTIONS FOR NICKEL CADMIUM (NiCd) OR NICKEL METAL HYDRIDE (NiMH)**

- **Do not incinerate the battery pack even if it is severely damaged or is completely worn out.** The battery pack can explode in a fire.
- **A small leakage of liquid from the battery pack cells may occur under extreme usage or temperature conditions.** This does not indicate a failure.

However, if the outer seal is broken:

- a. and the battery liquid gets on your skin, immediately wash with soap and water for several minutes.
- b. and the battery liquid gets into your eyes, flush them with clean water for a minimum of 10 minutes and seek immediate medical attention. **(Medical note:** The liquid is 25–35% solution of potassium hydroxide.)

#### **SPECIFIC SAFETY INSTRUCTIONS FOR LITHIUM ION (Li-Ion)**

- **Do not incinerate the battery pack even if it is severely damaged or is completely worn out.** The battery pack can explode in a fire. Toxic fumes and materials are created when lithium ion battery packs are burned.
- **If battery contents come into contact with the skin, immediately wash area with mild soap and water.** If battery liquid gets into the eye, rinse water over the open eye for 15 minutes or until irritation ceases. If medical attention is needed, the battery electrolyte is composed of a mixture of liquid organic carbonates and lithium salts.
- **Contents of opened battery cells may cause respiratory irritation.** Provide fresh air. If symptoms persist, seek medical attention.

**⚠ WARNING:** Burn hazard. Battery liquid may be flammable if exposed to spark or flame.

### The RBRC™ Seal

The RBRC™ (Rechargeable Battery Recycling Corporation) Seal on the nickel cadmium, nickel metal hydride or lithium ion batteries (or battery packs) indicate that the costs to recycle these batteries (or battery packs) at the end of their useful life have already been paid by DEWALT. In some areas, it is illegal to place spent nickel cadmium, nickel metal hydride or lithium ion batteries in the trash or municipal solid waste stream and the RBRC program provides an environmentally conscious alternative.



RBRC™ in cooperation with DEWALT and other battery users, has established programs in the United States and Canada to facilitate the collection of spent nickel cadmium, nickel metal hydride or lithium ion batteries. Help protect our environment and conserve natural resources by returning the spent nickel cadmium, nickel metal hydride or lithium ion batteries to an authorized DEWALT service center or to your local retailer for recycling. You may also contact your local recycling center for information on where to drop off the spent battery. RBRC™ is a registered trademark of the Rechargeable Battery Recycling Corporation.

### Important Safety Instructions for All Battery Chargers

**SAVE THESE INSTRUCTIONS:** This manual contains important safety and operating instructions for battery chargers.

- Before using charger, read all instructions and cautionary markings on charger, battery pack, and product using battery pack.

**⚠ DANGER:** Electrocutation hazard. 120 volts are present at charging terminals. Do not probe with conductive objects. Electric shock or electrocution may result.

**⚠ WARNING:** Shock hazard. Do not allow any liquid to get inside charger. Electric shock may result.

**⚠ CAUTION:** Burn hazard. To reduce the risk of injury, charge only DEWALT rechargeable batteries. Other types of batteries may burst causing personal injury and damage.

**NOTICE:** Under certain conditions, with the charger plugged in to the power supply, the exposed charging contacts inside the charger can be shorted by foreign material. Foreign materials of a conductive nature such as, but not limited to, grinding dust, metal chips, steel wool, aluminum foil, or any buildup of metallic particles should be kept away from charger cavities. Always unplug the charger from the power supply when there is no battery pack in the cavity. Unplug charger before attempting to clean.

- **DO NOT attempt to charge the battery pack with any chargers other than the ones in this manual.** The charger and battery pack are specifically designed to work together.
- **These chargers are not intended for any uses other than charging DEWALT rechargeable batteries.** Any other uses may result in risk of fire, electric shock or electrocution.
- **Do not expose charger to rain or snow.**
- **Pull by plug rather than cord when disconnecting charger.** This will reduce risk of damage to electric plug and cord.
- **Make sure that cord is located so that it will not be stepped on, tripped over, or otherwise subjected to damage or stress.**
- **Do not use an extension cord unless it is absolutely necessary.** Use of improper extension cord could result in risk of fire, electric shock, or electrocution.



- **When operating a power tool outdoors, use an extension cord suitable for outdoor use.** Use of a cord suitable for outdoor use reduces the risk of electric shock.
- **An extension cord must have adequate wire size (AWG or American Wire Gauge) for safety.** The smaller the gauge number of the wire, the greater the capacity of the cable, that is 16 gauge has more capacity than 18 gauge. An undersized cord will cause a drop in line voltage resulting in loss of power and overheating. When using more than one extension to make up the total length, be sure each individual extension contains at least the minimum wire size. The following table shows the correct size to use depending on cord length and nameplate ampere rating. If in doubt, use the next heavier gauge. The smaller the gauge number, the heavier the cord.

Minimum Gauge for Cord Sets						
Ampere Rating		Volts	Total Length of Cord in Feet (meters)			
		120 V	25 (7.6)	50 (15.2)	100 (30.5)	150 (45.7)
		240 V	50 (15.2)	100 (30.5)	200 (61.0)	300 (91.4)
More Than	Not More Than	AWG				
0	6		18	16	16	14
6	10		18	16	14	12
10	12		16	16	14	12
12	16		14	12	Not Recommended	

- **Do not place any object on top of charger or place the charger on a soft surface that might block the ventilation slots and result in excessive internal heat.** Place the charger

in a position away from any heat source. The charger is ventilated through slots in the top and the bottom of the housing.

- **Do not operate charger with damaged cord or plug.**
- **Do not operate charger if it has received a sharp blow, been dropped, or otherwise damaged in any way.** Take it to an authorized service center.
- **Do not disassemble charger; take it to an authorized service center when service or repair is required.** Incorrect reassembly may result in a risk of electric shock, electrocution or fire.
- **Disconnect the charger from the outlet before attempting any cleaning. This will reduce the risk of electric shock.** Removing the battery pack will not reduce this risk.
- **NEVER attempt to connect two chargers together.**
- **The charger is designed to operate on standard 120 volt household electrical power. Do not attempt to use it on any other voltage.** This does not apply to the vehicular charger.

### Using Automatic Tune-Up™ Mode

The automatic Tune-Up™ Mode equalizes or balances the individual cells in the battery pack allowing it to function at peak capacity. Battery packs should be tuned up weekly or after 10 charge/discharge cycles or whenever the pack no longer delivers the same amount of work. To use the automatic Tune-Up™, place the battery pack in the charger and leave it for at least 8 hours. The charger will cycle through the following modes.

1. The red light will blink continuously indicating that the 1-hour charge cycle has started.
2. When the 1-hour charge cycle is complete, the light will stay on continuously and will no longer blink. This indicates that the pack is fully charged and can be used at this time.
3. If the pack is left in the charger after the initial 1-hour charge, the charger will begin the Automatic Tune-Up™ mode. This mode



operation, **flashing the red light with two fast blinks followed by a pause**. This indicates the power source is out of limits.

#### **LEAVING THE BATTERY PACK IN THE CHARGER**

The charger and battery pack can be left connected with the red light glowing indefinitely. The charger will keep the battery pack fresh and fully charged.

**NOTE:** A battery pack will slowly lose its charge when kept out of the charger. If the battery pack has not been kept on maintenance charge, it may need to be recharged before use. A battery pack may also slowly lose its charge if left in a charger that is not plugged into an appropriate AC source.

**WEAK BATTERY PACKS:** Chargers can also detect a weak battery pack. Such batteries are still usable but should not be expected to perform as much work. The charger will indicate to replace battery pack.

#### **Important Charging Notes**

1. Longest life and best performance can be obtained if the battery pack is charged when the air temperature is between 65 °F and 75 °F (18 °–24 °C). DO NOT charge the battery pack in an air temperature below +40 °F (+4.5 °C), or above +105 °F (+40.5 °C). This is important and will prevent serious damage to the battery pack.
2. The charger and battery pack may become warm to touch while charging. This is a normal condition, and does not indicate a problem. To facilitate the cooling of the battery pack after use, avoid placing the charger or battery pack in a warm environment such as in a metal shed, or an uninsulated trailer.
3. If the battery pack does not charge properly:
  - a. Check operation of receptacle by plugging in a lamp or other appliance;

- b. Check to see if receptacle is connected to a light switch which turns power off when you turn out the lights;
  - c. Move charger and battery pack to a location where the surrounding air temperature is approximately 65 °F–75 °F (18 °–24 °C);
  - d. If charging problems persist, take the tool, battery pack and charger to your local service center.
4. The battery pack should be recharged when it fails to produce sufficient power on jobs which were easily done previously. DO NOT CONTINUE to use under these conditions. Follow the charging procedure. You may also charge a partially used pack whenever you desire with no adverse affect on the battery pack.
  5. Under certain conditions, with the charger plugged into the power supply, the exposed charging contacts inside the charger can be shorted by foreign material. Foreign materials of a conductive nature such as, but not limited to, grinding dust, metal chips, steel wool, aluminum foil, or any buildup of metallic particles should be kept away from charger cavities. Always unplug the charger from the power supply when there is no battery pack in the cavity. Unplug charger before attempting to clean.
  6. Do not freeze or immerse charger in water or any other liquid.

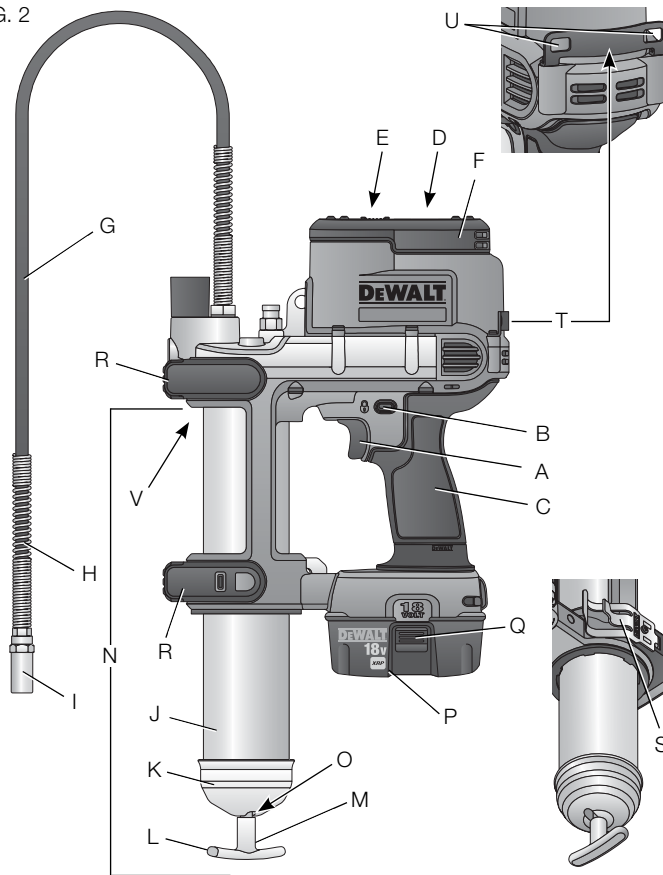
**▲WARNING:** Shock hazard. Don't allow any liquid to get inside charger. Electric shock may result.

**▲WARNING:** Burn hazard. Never attempt to open the battery pack for any reason. If the plastic housing of the battery pack breaks or cracks, return to a service center for recycling.

#### **Storage Recommendations**

1. The best storage place is one that is cool and dry away from direct sunlight and excess heat or cold.
2. For long storage, it is recommended to store a fully charged battery pack in a cool dry place out of the charger for optimal results.

FIG. 2



**NOTE:** Battery packs should not be stored completely depleted of charge. The battery pack will need to be recharged before use.

### **SAVE THESE INSTRUCTIONS FOR FUTURE USE**

#### **COMPONENTS (Fig. 2, 5)**

**⚠ WARNING:** Never modify the power tool or any part of it. Damage or personal injury could result.

#### **FIGURE 2**

- |                                      |                              |
|--------------------------------------|------------------------------|
| A. Variable speed trigger switch     | O. Retaining slot            |
| B. Lock-off button                   | P. Battery                   |
| C. Handle                            | Q. Battery release button    |
| D. LED worklight                     | R. Rubber feet               |
| E. LED worklight button              | S. Hose clip                 |
| F. Top cap                           | T. Shoulder strap mount      |
| G. Flexible hose                     | U. Shoulder strap clip holes |
| H. Flexible hose safety spring guard | V. Filter                    |
| I. Flexible hose coupler             |                              |

#### **FIGURE 5**

- |                             |
|-----------------------------|
| W. Pressure relief valve    |
| X. Purge valve              |
| Y. Check valve              |
| Z. 1/8" NPT fill port       |
| AA. 1/8" NPT fill port plug |

#### **INTENDED USE**

This grease gun is designed for professionally dispensing lubricant.

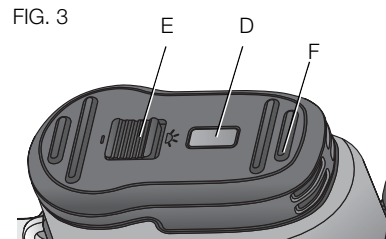
**DO NOT** use under wet conditions or in presence of volatile flammable liquids or gases.

This grease gun is a professional power tool. **DO NOT** let children come into contact with the tool. Supervision is required when inexperienced operators use this tool.

### **LED Worklight (Fig. 2, 3)**

There is an LED worklight (D) located on the top cap (F). The worklight is activated when the trigger switch is depressed and when the LED worklight button (E) is in the ON position. When the LED worklight button is in the OFF position, the LED worklight will not turn on when the trigger is depressed. If the trigger switch remains depressed, the worklight will remain on.

**NOTE:** The worklight is for lighting the immediate work surface and is not intended to be used as a flashlight.



### **Variable Speed Trigger Switch (Fig. 2, 4)**

#### **LOCK-OFF BUTTON AND TRIGGER SWITCH**

Your grease gun is equipped with a lock-off button (B).

To lock the trigger switch, press the lock-off button as shown in Figure 4. Always lock the trigger switch (A) when carrying or storing the tool to eliminate unintentional starting. The lock-off button is colored red to indicate when the switch is in its unlocked position.

To unlock the trigger switch, press the lock-off button as shown in Figure 4. Squeeze the trigger switch to turn the motor ON. Releasing the trigger switch turns the motor OFF.

**NOTE:** The variable speed trigger switch will give you added versatility. The further the trigger is depressed the higher the output of grease.

**⚠ WARNING:** This tool has no provision to lock the switch in the ON position, and should never be locked ON by any other means.

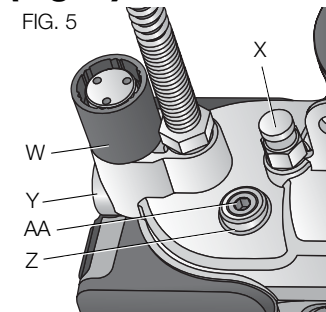
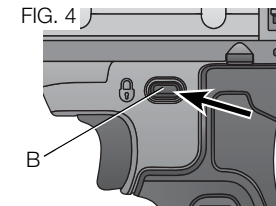
### **Pressure Relief Valve (Fig. 5)**

The pressure relief valve (W) is set at the factory to relieve pressure above 9,000 psi (620 bar). Grease coming out of the pressure relief valve indicates a clog in the fitting, line or bearing. Any of these conditions must be corrected before proceeding.

**⚠ WARNING:** The grease gun may generate high pressure. Do not remove or tamper with the pressure relief valve. Serious injury may occur.

### **Shoulder Strap (Fig. 2)**

Your grease gun comes with a shoulder strap. Hook the shoulder strap clips into the shoulder strap clip holes (U) found on the shoulder strap mount (T).



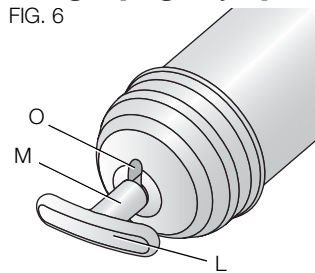
## ASSEMBLY AND ADJUSTMENTS

**⚠ WARNING:** To reduce the risk of serious personal injury, turn tool off, push the lock-off button to the OFF position, and remove the battery pack before making any adjustments or removing/installing attachments or accessories. An accidental start-up can cause injury.

### Installing a Grease Cartridge (Fig. 2, 6)

1. Pull the grease tube handle (L) out as far as it will go, then secure the grease tube rod (M) into the retaining slot (O) by moving the rod to the side. Ensure the rod is placed securely in the slot to prevent it from disengaging.
2. Unscrew the grease tube assembly (N) from the grease gun.
3. Remove the plastic cap from the grease cartridge, then insert the cartridge, open end first, into the grease tube (J).
4. Remove the seal from the other end of the grease cartridge.
5. Thread the grease tube assembly (N) back into the grease gun and screw it in securely.
6. Release the grease tube rod (M) from the retaining slot (O) and slowly press it back into the tube.
7. Use the purge valve (X, Fig. 5) to bleed off any air that may be trapped in the cartridge. Refer to **Purging Air Pockets**.

**IMPORTANT:** The grease gun will lose its prime if there are air pockets in the lubricant.



### Removing Empty Grease Cartridge (Fig. 2)

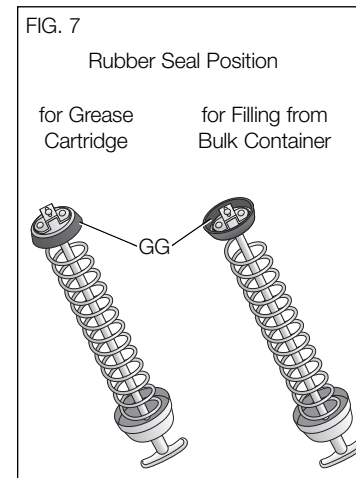
1. Pull the grease tube handle (L) out as far as it will go, then secure the grease tube rod (M) into the retaining slot (O) by moving the rod to the side. Ensure the rod is placed securely in the slot to prevent it from disengaging.
2. Unscrew the grease tube assembly (N) from the grease gun and remove.
3. Gently release the grease tube handle (L) to expel the empty cartridge from the grease tube.

### Filling the Grease Gun from a Bulk Container (Fig. 2, 5-9)

#### PREPARING THE GREASE GUN FOR SUCTION AND FILLER PUMP FILLING (FIG. 1, 7)

**NOTE:** Be sure the grease gun is empty of grease before beginning this process.

1. Unscrew the grease tube (J) from the grease gun assembly (N).
2. Unscrew the grease tube cap (K) from the grease tube (J) and pull out the grease rod (M).
3. Using your thumb and forefinger, flip the rubber seal (GG) from the rear to the front. Refer to Figure 7.



**NOTE:** The seal resembles a cup, which should open toward the top cap (F, Fig. 2) when prepared for suction and filler pump filling.

4. Reinsert the grease tube rod (M) back into the grease tube (J).

#### **SUCTION FILLING FROM A BULK CONTAINER (FIG. 2, 5, 6, 8)**

1. Put the open end of the grease tube assembly into the bulk lubricant.
2. Slowly pull back the grease tube handle (L) to suction the lubricant into the grease gun.

**NOTE:** Be sure to keep the open end of the grease tube assembly far enough into the lubricant to prevent air pockets in the grease tube.

3. When the grease tube rod (M) is fully extended, secure it into the retaining slot (O)
4. Remove the grease gun tube assembly from the bulk lubricant and wipe off excess grease.
5. Screw the grease gun tube assembly (N) back into the grease gun.
6. Release the grease tube rod (M) from the retaining slot (O) and slowly press it back into the tube.

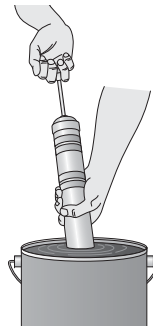
7. Use the purge valve (X, Fig. 5) to bleed off any air that may be trapped in the cartridge. Refer to **Purging Air Pockets**.

#### **FILLER PUMP FILLING FROM A BULK CONTAINER (FIG. 5, 6, 9)**

This tool comes with a 1/8" NPT fill port (Z, Fig. 5) for attaching a low pressure fill coupler onto the unit.

**⚠ WARNING:** *Never thread a high-pressure coupler onto the grease gun's 1/8" NPT fill port. Serious injury may occur due to excessive pressure. Use low-pressure couplers only.*

FIG. 8



**⚠ CAUTION:** *The fill pump loader must connect correctly with the grease gun's 1/8" NPT port. The filler pump may not operate if the components are not compatible.*

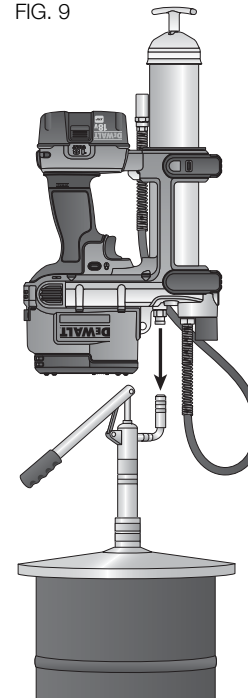
#### **Installing the low pressure coupler (not supplied with the tool)**

1. Thread the grease tube assembly (N) back into the grease gun and screw it in securely.
2. Pull the grease tube handle (L) out as far as it will go, then secure the grease tube rod (M) into the retaining slot (O) by moving the rod to the side. Ensure the rod is placed securely in the slot to prevent it from disengaging.
3. Remove the 1/8" NPT fill port plug (AA) from the fill port.
4. Thread the appropriate low pressure coupler onto the 1/8" NPT fill port (Z).
5. Release the grease tube rod (M) from the retaining slot (O) and slowly press it back into the tube.
6. Use the purge valve (X) to bleed off any air that may be trapped in the cartridge. Refer to **Purging Air Pockets**.

#### **FILLING THE TOOL FROM THE LOW PRESSURE FILLER PUMP (FIG. 2, 9)**

1. Pull back on the grease tube handle slowly and rotate the rod until it is secure in place.

FIG. 9



English

**NOTE:** Do not lock the rod into the retaining slot (O).

2. Connect the low pressure fitting on the grease gun to the appropriate low pressure fitting on the filler pump. These fittings **DO NOT** lock together. This prevents the grease gun cartridge from being over filled.
3. Fill until the rod is pushed out of the grease tube approximately 8" (20 cm). Do not overfill. If the rod fails to move during the filling process, stop. This indicates that the rod is not connected to the plunger and step one must be repeated before proceeding.
4. Rotate rod to release and carefully push rod back into the grease tube.
5. Use the purge valve (X) to bleed off any air that may be trapped in the cartridge. Refer to **Purging Air Pockets**.

### **Purging Air Pockets (Fig. 2, 5)**

**IMPORTANT:** Air pockets in the grease can cause the grease gun to lose prime. Eliminate air pockets after each refill or if the grease gun fails to pump grease:

1. Unscrew the purge valve (X) without removing it, until all air has escaped.
2. Tighten the purge valve (X).
3. Uncap the flexible hose (G) then depress the variable speed trigger switch (A) for 10–20 seconds.
4. If grease fails to flow through the hose, repeat from step 1.

**NOTE:** This tool has been tested at the factory, which may result in a small amount of grease left in the grease tube and hose assembly. It is recommended to purge the tool with the brand of grease to be used before first use.

## **OPERATION**

**⚠ WARNING:** To reduce the risk of serious personal injury, **turn tool off and remove the battery pack before making any adjustments or removing/installing attachments or accessories.** An accidental start-up can cause injury.

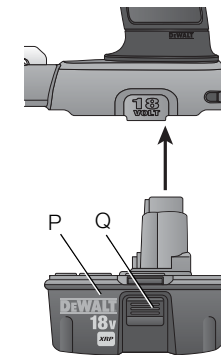
### **Installing and Removing the Battery Pack (Fig. 10)**

**NOTE:** For best results, make sure your battery pack is fully charged.

To install the battery pack (P) into the tool handle, align the notch inside the tool's handle with the battery pack and slide the battery pack firmly into the handle until the battery pack is firmly seated in the tool and ensure that it does not disengage.

To remove the battery pack from the tool, press the release buttons (Q) and firmly pull the battery pack out of the tool handle. Insert it into the charger as described in the charger section of this manual.

FIG. 10



### **Using the Grease Gun (Fig. 2)**

**⚠ WARNING:** To reduce the risk of serious personal injury, **always maintain a grip on the handle (C) when operating the grease gun or positioning the hose onto fittings.**

To operate the grease gun, hold the grease gun by the handle (C), or place it on a stable surface upright on its rubber feet (R) maintaining a grip on the handle. Holding the hose by the flexible hose safety spring guard (H), connect the flexible hose grease coupler (I) or other appropriate grease coupler, onto the grease fitting to be filled. Carefully depress the variable speed trigger switch to begin the filling process.



Once the correct amount of grease has been dispensed, release the trigger and remove the coupler from the grease fitting. If the coupler does not release, there may still be residual pressure in the line. Moving the coupler from side to side can relieve the residual pressure so it can be removed from the coupling. If the coupler leaks excessively or does not hold on to the grease fitting, it should be replaced.

**TECHNICAL INFORMATION**

Grease type	Up to NLGI #2
Voltage	18 V
Pressure	9,000 psi (620 bar)
Volume/Flow rate	5 fl. oz./min (147.87 ml/min)
Grease capacity	16 oz Bulk (453 g) 14.5 oz Cartridge (411 g)
Tool weight without battery	8 lbs (3.63 kg)
Hose length	42" (107 cm)

**MAINTENANCE**

**⚠ WARNING:** To reduce the risk of serious personal injury, turn tool off and remove the battery pack before making any adjustments or removing/installing attachments or accessories. An accidental start-up can cause injury.

**Cleaning**

**⚠ WARNING:** Blow dirt and dust out of all air vents with clean, dry air at least once a week. To minimize the risk of eye injury, always wear ANSI Z87.1 approved eye protection when performing this.

**⚠ WARNING:** Never use solvents or other harsh chemicals for cleaning the non-metallic parts of the tool. These chemicals may weaken the plastic materials used in these parts. Use a cloth dampened only with water and mild soap. Never let any liquid get inside the tool; never immerse any part of the tool into a liquid.

**BATTERY CLEANING INSTRUCTIONS**

Dirt and grease may be removed from the exterior of the battery using a cloth or soft non-metallic brush. Do not use water or any cleaning solutions.

**⚠ WARNING:** Never use solvents or other harsh chemicals for cleaning the battery. These chemicals may weaken the plastic parts.

**CHARGER CLEANING INSTRUCTIONS**

**⚠ WARNING:** Shock hazard. Disconnect the charger from the AC outlet before cleaning. Dirt and grease may be removed from the exterior of the charger using a cloth or soft non-metallic brush. Do not use water or any cleaning solutions.

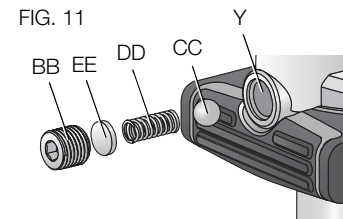
**⚠ WARNING:** Never use solvents or other harsh chemicals for cleaning the charger. These chemicals may weaken the plastic parts.

**CLEANING CONTAMINANTS FROM THE GREASE GUN**

**Cleaning Contamination from the Check Valve (Fig. 11)**

Should the grease gun fail to dispense grease, the check valve (Y) should be cleaned.

1. Remove the check valve plug (BB), then the disc (EE), spring (DD) and check valve ball (CC).
2. Clean the ball (CC) and the check valve area in the main casting.



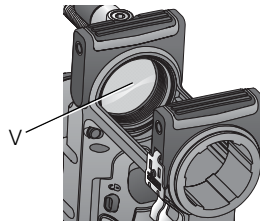
3. Reinstall the ball (CC), the spring (DD), and then the disc (EE).
4. After all grease is cleaned from the area, reinstall the check valve plug (BB).

### Cleaning Contamination from the Filter (Fig. 2, 12)

Should the grease gun fail to dispense grease, clean the filter (V). FIG. 12

**NOTE:** If there is still grease in the tube, open the purge valve prior to pulling the tube handle.

1. Pull the grease tube handle (L) out as far as it will go, then secure the grease tube rod (M) into the retaining slot (O) by moving the rod to the side. Ensure the rod is placed securely in the slot to prevent it from disengaging.
2. Unscrew the grease tube assembly (N) from the grease gun and remove.
3. Using a small flat-blade screwdriver or pick, carefully pop out the filter.
4. Wipe off the filter using a soft cloth. If the filter still has debris in it after wiping, a soft brush or swab may be used.
5. Once clean, reinsert the filter into the round groove, ensuring it is fully seated, and reattach the grease tube assembly to the grease gun.



### Accessories

**⚠ WARNING:** Since accessories, other than those offered by DEWALT, have not been tested with this product, use of such accessories with this tool could be hazardous. To reduce the risk of injury, only DEWALT recommended accessories should be used with this product.

**⚠ WARNING:** Extreme pressure may cause nozzle extension or flexible hose to burst. Use only DEWALT approved hoses and follow flexible hose instructions and warnings.

Recommended accessories for use with your tool are available at extra cost from your local dealer or authorized service center. If you need assistance in locating any accessory, please contact DEWALT Industrial Tool Co., 701 East Joppa Road, Baltimore, MD 21286, call 1-800-4-DEWALT (1-800-433-9258) or visit our website: [www.dewalt.com](http://www.dewalt.com).

### ACCESSORIES

DCGG5701	1/8" NPT Grease Gun Coupler
DCGG5701-3	1/8" NPT Grease Gun Coupler 3-pak
DCGG5702	Right Angle Grease Gun Coupler
DCGG5703-42	1/8" NPT Grease Gun Hose Assembly (42") (107 mm)
DCGG5703-24	1/8" NPT Grease Gun Hose Assembly (24") (61 mm)
DCGG5704	Clear Grease Gun Cartridge Tube

### Repairs

The charger and battery pack are not serviceable.

To assure product SAFETY and RELIABILITY, repairs, maintenance and adjustment (including brush inspection and replacement) should be performed by a DEWALT factory service center, a DEWALT authorized service center or other qualified service personnel. Always use identical replacement parts.

### Register Online

Thank you for your purchase. Register your product now for:

- **WARRANTY SERVICE:** Registering your product will help you obtain more efficient warranty service in case there is a problem with your product.

- **CONFIRMATION OF OWNERSHIP:** In case of an insurance loss, such as fire, flood or theft, your registration of ownership will serve as your proof of purchase.
- **FOR YOUR SAFETY:** Registering your product will allow us to contact you in the unlikely event a safety notification is required under the Federal Consumer Safety Act.

Register online at [www.dewalt.com/register](http://www.dewalt.com/register).

### Three Year Limited Warranty

DEWALT will repair, without charge, any defects due to faulty materials or workmanship for three years from the date of purchase. This warranty does not cover part failure due to normal wear or tool abuse. For further detail of warranty coverage and warranty repair information, visit [www.dewalt.com](http://www.dewalt.com) or call 1-800-4-DEWALT (1-800-433-9258). This warranty does not apply to accessories or damage caused where repairs have been made or attempted by others. This warranty gives you specific legal rights and you may have other rights which vary in certain states or provinces.

In addition to the warranty, DEWALT tools are covered by our:

#### 1 YEAR FREE SERVICE

DEWALT will maintain the tool and replace worn parts caused by normal use, for free, any time during the first year after purchase.

#### 2 YEARS FREE SERVICE ON DEWALT BATTERY PACKS

DC9071, DC9091, DC9096, DC9280, DC9360, DC9180, DCB120, DCB201 and DCB203

#### 3 YEARS FREE SERVICE ON DEWALT BATTERY PACKS

DCB200, DCB204

#### DEWALT BATTERY PACKS

Product warranty voided if the battery pack is tampered with in any way. DEWALT is not responsible for any injury caused by tampering and may prosecute warranty fraud to the fullest extent permitted by law.

### 90 DAY MONEY BACK GUARANTEE

If you are not completely satisfied with the performance of your DEWALT Power Tool, Laser, or Nailer for any reason, you can return it within 90 days from the date of purchase with a receipt for a full refund – no questions asked.

**LATIN AMERICA:** This warranty does not apply to products sold in Latin America. For products sold in Latin America, see country specific warranty information contained in the packaging, call the local company or see website for warranty information.

**FREE WARNING LABEL REPLACEMENT:** If your warning labels become illegible or are missing, call 1-800-4-DEWALT (1-800-433-9258) for a free replacement.

**DCGG570 CORDLESS GREASE GUN**

**WARNING** TO REDUCE THE RISK OF INJURY, USER MUST READ INSTRUCTION MANUAL. ALWAYS USE PROPER EYE AND RESPIRATORY PROTECTION. USE DEWALT BATTERIES.

**ADVERTENCIA:** PARA EL MANEJO SEGURO LEA EL MANUAL DE INSTRUCCIONES. SIEMPRE SE DEBERÁ LEVAR LA PROTECCIÓN APROPIADA PARA LA VISTA Y PARA LAS VÍAS RESPIRATORIAS. UTILICE LAS BATERÍAS DEWALT. **AVERTISSEMENT:** À TITRE PRÉVENTIF, LIRE LE GUIDE. IL FAUT TOUJOURS PORTER DE L'ÉQUIPEMENT DE PROTECTION OCULAIRE ET RESPIRATOIRE APPROPRIÉ. UTILISER SEULEMENT AVEC DES PILES DEWALT.

DEWALT INDUSTRIAL TOOL CO., BALTIMORE, MD 21286 USA  
FOR SERVICE INFORMATION, CALL 1-800-4-DEWALT [www.DEWALT.com](http://www.DEWALT.com)

**WARNING** HIGH PRESSURE – UP TO 9,000 PSI (620 BAR) AT THE HOSE AND PUMP HOUSING. RISK OF INJECTION, CAUSING SERIOUS INJURY OR INFECTION. ALWAYS WEAR GLOVES DURING OPERATIONAL. DO NOT TREAT AS A SIMPLE CUT, SEEK IMMEDIATE MEDICAL ATTENTION. READ INSTRUCTION MANUAL FOR ADDITIONAL SAFETY INFORMATION.

**ADVERTENCIA** ALTA PRESIÓN – HASTA 9,000 PSI (620 BARES) EN LA MANGUERA Y LA CARCASA DE LA BOMBA. RIESGO DE INYECCIÓN, QUE PUEDE CAUSAR LESIÓN GRAVE O INFECCIÓN. PONGÁSE SIEMPRE GUANTES DURANTE LA OPERACIÓN. NO LO TRATE COMO UN SIMPLE CORTE. BUSQUE ATENCIÓN MÉDICA INMEDIATA. LEA EL MANUAL DE INSTRUCCIONES PARA OBTENER INFORMACIÓN ADICIONAL SOBRE SEGURIDAD.

**AVERTISSEMENT** HAUTE PRESION – JUSQU'À 9 000 BARS (620 PSI) AU NIVEAU DU TUYAU ET BOÎTER DE POMPE. RISQUES D'INJECTIONS CUTANÉES POUVANT CAUSER DES DOMMAGES CORPORELS GRAVES OU DES INFECTIONS. PORTER SYSTEMATIQUÉMENT DES GANTS PENDANT L'UTILISATION, NE PAS TRAITER CETTE ÉVENTUALITÉ COMME UNE SIMPLE COUPURE. CONSULTER IMMÉDIATEMENT UN MÉDECIN, LIRE LE MANUEL DE L'UTILISATEUR POUR PLUS D'INFORMATION SUR LES MESURES DE SÉCURITÉ.

## TROUBLESHOOTING

Problem	Possible Cause	Possible Solution
Unable to pull back rod	Vacuum build up	Unscrew the purge valve to release vacuum.
Unable to push rod forward	Pressure build up	Unscrew the purge valve to release pressure.
	Rod is still connected to plunger	Rotate grease tube handle 90 degrees to disengage it.
No grease when trigger is pulled	Grease tube is empty	Add grease.
	Air pockets in the grease tube	Refer to <b><i>Purging Air Pockets.</i></b>
	Check valve is clogged	Refer to <b><i>Cleaning Contamination from the Check Valve.</i></b>
	Filter is clogged	Refer to <b><i>Cleaning Contamination from the Filter.</i></b>
Grease appears in relief valve	Zerk fitting is blocked	Disconnect coupler from fitting, clean zerk fitting and grease path.
Motor does not run when trigger is pulled	Battery	Make sure the battery is fully charged.
Grease leaks out of the back of the grease tube	Rubber seal is flipped the wrong direction	Refer to <b><i>Preparing the Grease Gun for Suction and Filler Pump Filling.</i></b>

### **Définitions : lignes directrices en matière de sécurité**

Les définitions ci-dessous décrivent le niveau de danger pour chaque mot-indicateur employé. Lire le mode d'emploi et porter une attention particulière à ces symboles.

**⚠ DANGER** : indique une situation dangereuse imminente qui, si elle n'est pas évitée, **entraînera la mort ou des blessures graves**.

**⚠ AVERTISSEMENT** : indique une situation potentiellement dangereuse qui, si elle n'est pas évitée, **pourrait entraîner la mort ou des blessures graves**.

**⚠ ATTENTION** : indique une situation potentiellement dangereuse qui, si elle n'est pas évitée, **pourrait entraîner des blessures légères ou modérées**.

**AVIS** : indique une pratique ne posant **aucun risque de dommages corporels** mais qui par contre, si rien n'est fait pour l'éviter, **pourrait poser des risques de dommages matériels**.

POUR TOUTE QUESTION OU REMARQUE AU SUJET DE CET OUTIL OU DE TOUT AUTRE OUTIL DeWALT, COMPOSEZ LE NUMÉRO SANS FRAIS : **1-800-4-DeWALT (1-800-433-9258)**.



**AVERTISSEMENT** : afin de réduire le risque de blessures, lire le mode d'emploi de l'outil.

### **Avertissements de sécurité généraux pour les outils électriques**



**AVERTISSEMENT!** lire tous les avertissements de sécurité et toutes les directives. Le non-respect des

avertissements et des directives pourrait se solder par un choc électrique, un incendie et/ou une blessure grave.

### **CONSERVER TOUS LES AVERTISSEMENTS ET TOUTES LES DIRECTIVES POUR UN USAGE ULTÉRIEUR**

Le terme « outil électrique » cité dans les avertissements se rapporte à votre outil électrique à alimentation sur secteur (avec fil) ou par piles (sans fil).

#### **1) SÉCURITÉ DU LIEU DE TRAVAIL**

- a) **Tenir l'aire de travail propre et bien éclairée.** Les lieux encombrés ou sombres sont propices aux accidents.
- b) **Ne pas faire fonctionner d'outils électriques dans un milieu déflagrant, tel qu'en présence de liquides, de gaz ou de poussières inflammables.** Les outils électriques produisent des étincelles qui pourraient enflammer la poussière ou les vapeurs.
- c) **Éloigner les enfants et les personnes à proximité pendant l'utilisation d'un outil électrique.** Une distraction pourrait en faire perdre la maîtrise à l'utilisateur.

#### **2) SÉCURITÉ EN MATIÈRE D'ÉLECTRICITÉ**

- a) **Les fiches des outils électriques doivent correspondre à la prise. Ne jamais modifier la fiche d'aucune façon. Ne jamais utiliser de fiche d'adaptation avec un outil électrique mis à la terre.** Le risque de choc électrique sera réduit par l'utilisation de fiches non modifiées correspondant à la prise.
- b) **Éviter tout contact physique avec des surfaces mises à la terre comme des tuyaux, des radiateurs, des cuisinières et des réfrigérateurs.** Le risque de choc électrique est plus élevé si votre corps est mis à la terre.

- c) **Ne pas exposer les outils électriques à la pluie ou à l'humidité.** La pénétration de l'eau dans un outil électrique augmente le risque de choc électrique.
  - d) **Ne pas utiliser le cordon de façon abusive. Ne jamais utiliser le cordon pour transporter, tirer ou débrancher un outil électrique. Tenir le cordon éloigné de la chaleur, de l'huile, des bords tranchants et des pièces mobiles.** Les cordons endommagés ou enchevêtrés augmentent les risques de choc électrique.
  - e) **Pour l'utilisation d'un outil électrique à l'extérieur, se servir d'une rallonge convenant à cette application.** L'utilisation d'une rallonge conçue pour l'extérieur réduira les risques de choc électrique.
  - f) **S'il est impossible d'éviter l'utilisation d'un outil électrique dans un endroit humide, brancher l'outil dans une prise ou sur un circuit d'alimentation dotés d'un disjoncteur de fuite à la terre (GFCI).** L'utilisation de ce type de disjoncteur réduit les risques de choc électrique.
- 3) SÉCURITÉ PERSONNELLE**
- a) **Être vigilant, surveiller le travail effectué et faire preuve de jugement lorsqu'un outil électrique est utilisé. Ne pas utiliser d'outil électrique en cas de fatigue ou sous l'influence de drogues, d'alcool ou de médicaments.** Un simple moment d'inattention en utilisant un outil électrique peut entraîner des blessures corporelles graves.
  - b) **Utiliser des équipements de protection individuelle. Toujours porter une protection oculaire.** L'utilisation d'équipements de protection comme un masque antipoussière, des chaussures antidérapantes, un casque de sécurité ou des protecteurs auditifs lorsque la situation le requiert réduira les risques de blessures corporelles.
- c) **Empêcher les démarrages intempestifs. S'assurer que l'interrupteur se trouve à la position d'arrêt avant de relier l'outil à une source d'alimentation et/ou d'insérer un bloc-piles, de ramasser ou de transporter l'outil.** Transporter un outil électrique alors que le doigt repose sur l'interrupteur ou brancher un outil électrique dont l'interrupteur est à la position de marche risque de provoquer un accident.
  - d) **Retirer toute clé de réglage ou clé avant de démarrer l'outil.** Une clé ou une clé de réglage attachée à une partie pivotante de l'outil électrique peut provoquer des blessures corporelles.
  - e) **Ne pas trop tendre les bras. Conserver son équilibre en tout temps.** Cela permet de mieux maîtriser l'outil électrique dans les situations imprévues.
  - f) **S'habiller de manière appropriée. Ne pas porter de vêtements amples ni de bijoux. Garder les cheveux, les vêtements et les gants à l'écart des pièces mobiles.** Les vêtements amples, les bijoux ou les cheveux longs risquent de rester coincés dans les pièces mobiles.
  - g) **Si des composants sont fournis pour le raccordement de dispositifs de dépoussiérage et de ramassage, s'assurer que ceux-ci sont bien raccordés et utilisés.** L'utilisation d'un dispositif de dépoussiérage peut réduire les dangers engendrés par les poussières.
- 4) UTILISATION ET ENTRETIEN D'UN OUTIL ÉLECTRIQUE**
- a) **Ne pas forcer un outil électrique. Utiliser l'outil électrique approprié à l'application.** L'outil électrique approprié effectuera un meilleur travail, de façon plus sûre et à la vitesse pour laquelle il a été conçu.
  - b) **Ne pas utiliser un outil électrique dont l'interrupteur est défectueux.** Tout outil électrique dont l'interrupteur est défectueux est dangereux et doit être réparé.

- c) **Débrancher la fiche de la source d'alimentation et/ou du bloc-piles de l'outil électrique avant de faire tout réglage ou changement d'accessoire ou avant de ranger l'outil.** Ces mesures préventives réduisent les risques de démarrage accidentel de l'outil électrique.
- d) **Ranger les outils électriques hors de la portée des enfants et ne permettre à aucune personne n'étant pas familière avec un outil électrique ou son mode d'emploi d'utiliser cet outil.** Les outils électriques deviennent dangereux entre les mains d'utilisateurs inexpérimentés.
- e) **Entretien des outils électriques. Vérifier si les pièces mobiles sont mal alignées ou coincées, si des pièces sont brisées ou présentent toute autre condition susceptible de nuire au bon fonctionnement de l'outil électrique. En cas de dommage, faire réparer l'outil électrique avant toute nouvelle utilisation.** Beaucoup d'accidents sont causés par des outils électriques mal entretenus.
- f) **S'assurer que les outils de coupe sont aiguisés et propres.** Les outils de coupe bien entretenus et affûtés sont moins susceptibles de se coincer et sont plus faciles à maîtriser.
- g) **Utiliser l'outil électrique, les accessoires, les forets, etc. conformément aux présentes directives en tenant compte des conditions de travail et du travail à effectuer.** L'utilisation d'un outil électrique pour toute opération autre que celle pour laquelle il a été conçu est dangereuse.
- 5) UTILISATION ET ENTRETIEN DU BLOC-PILES**
- a) **Ne recharger l'outil qu'au moyen du chargeur précisé par le fabricant.** L'utilisation d'un chargeur qui convient à un type de bloc-piles risque de provoquer un incendie s'il est utilisé avec un autre type de bloc-piles.
- b) **Utiliser les outils électriques uniquement avec les blocs-piles conçus à cet effet.** L'utilisation de tout autre bloc-piles risque de causer des blessures ou un incendie.
- c) **Lorsque le bloc-piles n'est pas utilisé, le tenir éloigné des objets métalliques, notamment des trombones, de la monnaie, des clés, des clous, des vis ou autres petits objets métalliques qui peuvent établir une connexion entre les deux bornes.** Le court-circuit des bornes du bloc-piles risque de provoquer des brûlures ou un incendie.
- d) **En cas d'utilisation abusive, le liquide peut gicler hors du bloc-piles; éviter tout contact avec ce liquide. Si un contact accidentel se produit, laver à grande eau. Si le liquide entre en contact avec les yeux, obtenir également des soins médicaux.** Le liquide qui gicle hors du bloc-piles peut provoquer des irritations ou des brûlures.
- 6) RÉPARATION**
- a) **Faire réparer l'outil électrique par un réparateur professionnel en n'utilisant que des pièces de rechange identiques.** Cela permettra de maintenir une utilisation sécuritaire de l'outil électrique.
- Règles de sécurité additionnelles propres aux pistolets graisseurs**
- **Des parties de l'outil ou du dispositif tuyau pourraient se briser ou éclater dû à la haute pression. Il y a risques de dommages corporels graves.** Avant toute utilisation, vérifier systématiquement que l'outil ou le dispositif tuyau ne comporte aucun dommage ou détérioration. Ne jamais utiliser l'outil s'il est abîmé ou endommagé de quelque façon.
  - **N'utiliser que des tuyaux flexibles homologués par DEWALT.** Pour prévenir tout dommage corporel grave, maintenir systématiquement le tuyau par le ressort de sécurité du tuyau flexible.
  - **Si le tuyau venait à s'entortiller ou à être endommagé, il pourrait éclater et causer des dommages corporels graves.**

Changer le tuyau au premier signe d'usure, d'entrave ou de dommage.

- **Utiliser exclusivement la graisse recommandée dans ce manuel.** Se reporter au tableau **Informations techniques** sous la section **Utilisation du pistolet graisseur.**
- **Pour réduire tout risque de dommages corporels graves, ne pas utiliser le pistolet graisseur à proximité ou sur des pièces ou mécanismes mobiles, ou des équipements en marche.**
- **Prendre des précautions à proximité des événements, car ils cachent des pièces mobiles.** Vêtements amples, bijoux ou cheveux longs risquent de rester coincés dans ces pièces mobiles.

**⚠️ AVERTISSEMENT : risques d'injections cutanées ou de dommages corporels graves. La rupture de pièces pourrait injecter de la graisse sous la peau ou dans les yeux et causer des dommages corporels graves ou des infections. Ne pas traiter cette éventualité comme une simple coupure. Consulter immédiatement un médecin.**

**⚠️ AVERTISSEMENT : les projections de cet appareil peuvent se faire à haute pression.** Ne pas le diriger vers vous-même ou les autres.

**⚠️ AVERTISSEMENT : le pistolet graisseur peut générer une haute pression pouvant aller jusqu'à 9 000 psi (620 bars). Porter systématiquement des gants pendant l'utilisation.** Protéger les mains de la portion en caoutchouc exposée du tuyau.

**⚠️ AVERTISSEMENT : risques d'incendie. La graisse peut être une matière combustible.** Ne pas l'exposer au feu ou à des températures excessives. Lire et suivre toutes les directives et consignes données par le fabricant du lubrifiant.

**⚠️ AVERTISSEMENT : porter SYSTEMATIQUÉMENT des lunettes de protection.** Les lunettes courantes NE sont PAS des lunettes de

protection. Utiliser aussi un masque antipoussières si la découpe doit en produire beaucoup. **PORTER SYSTEMATIQUÉMENT UN ÉQUIPEMENT DE SÉCURITÉ HOMOLOGUÉ :**

- Protection oculaire ANSI Z87.1 (CAN/CSA Z94.3) ;
- Protection auditive ANSI S12.6 (S3.19) ;
- Protection des voies respiratoires NIOSH/OSHA/MSHA.

**⚠️ AVERTISSEMENT :** les scies, meules, ponceuses, perceuses ou autres outils de construction peuvent produire des poussières contenant des produits chimiques reconnus par l'État californien pour causer cancers, malformations congénitales ou être nocifs au système reproducteur. Parmi ces produits chimiques, on retrouve :

- Le plomb dans les peintures à base de plomb ;
- La silice cristallisée dans les briques et le ciment, ou autres produits de maçonnerie ; et
- L'arsenic et le chrome dans le bois ayant subi un traitement chimique.

Le risque associé à de telles expositions varie selon la fréquence à laquelle on effectue ces travaux. Pour réduire toute exposition à ces produits : travailler dans un endroit bien aéré, en utilisant du matériel de sécurité homologué, tel un masque antipoussières spécialement conçu pour filtrer les particules microscopiques.

- **Limiter toute exposition prolongée avec les poussières provenant du ponçage, sciage, meulage, perçage ou toute autre activité de construction. Porter des vêtements de protection et nettoyer à l'eau savonneuse les parties du corps exposées.** Le fait de laisser la poussière pénétrer dans la bouche, les yeux ou la peau peut favoriser l'absorption de produits chimiques dangereux.

**⚠️ AVERTISSEMENT :** cet outil peut produire et/ou répandre de la poussière susceptible de causer des dommages sérieux et permanents au système respiratoire. Utiliser systématiquement un



appareil de protection des voies respiratoires homologué par le NIOSH ou l'OSHA. Diriger les particules dans le sens opposé au visage et au corps.

**⚠AVERTISSEMENT : pendant l'utilisation, porter systématiquement une protection auditive individuelle adéquate homologuée ANSI S12.6 (S3.19).** Sous certaines conditions et suivant la durée d'utilisation, le bruit émanant de ce produit pourrait contribuer à une perte de l'acuité auditive.

**⚠ATTENTION : après utilisation, ranger l'outil sur son côté, sur une surface stable, là où il ne pourra ni faire trébucher ni faire chuter quelqu'un.** Certains outils équipés d'un large bloc-piles peuvent tenir à la verticale sur celui-ci, mais manquent alors de stabilité.

- L'étiquette apposée sur votre outil peut inclure les symboles suivants. Les symboles et leur définition sont indiqués ci-après :
 

V.....volts	A..... ampères
Hz.....hertz	W..... watts
min .....minutes	~ ou AC ..... courant alternatif
=== ou DC....courant continu	⎓ ou AC/DC... courant alternatif
Ⓜ .....classe I fabrication (mis à la terre)	⎓ ou AC/DC... courant alternatif (ou continu)
Ⓜ .....classe II fabrication (double isolation)	n <sub>0</sub> ..... vitesse à vide
.../min .....par minute	n..... vitesse nominale
IPM.....impacts par minute	⊕ ..... borne de terre
BPM.....battements par minute	⚠..... symbole d'avertissement
	r/min..... tours par minute

sfpm .....pieds linéaires SPM (FPM)..... fréquence par minute (plpm)

psi.....livres par pouce carré

## Consignes de sécurité importantes propres à tous les blocs-piles

Pour commander un bloc-piles de rechange, s'assurer d'inclure son numéro de catalogue et sa tension. Consulter le tableau figurant à la fin du présent mode d'emploi pour connaître la compatibilité des chargeurs et des blocs-piles.

Le bloc-piles n'est pas totalement chargé d'usine. Avant d'utiliser le bloc-piles et le chargeur, lire les consignes de sécurité ci-dessous. Puis suivre la procédure de charge indiquée.

### LIRE TOUTES LES CONSIGNES

- **Ne pas recharger ou utiliser un bloc-piles en milieu déflagrant, en présence, par exemple, de poussières, gaz ou liquides inflammables.** Le fait d'insérer ou retirer un bloc-piles de son chargeur pourrait causer l'inflammation de poussières ou d'émanations.
- **NE JAMAIS forcer l'insertion d'un bloc-piles dans un chargeur. NE modifier un bloc-piles d'AUCUNE façon pour le faire rentrer dans un chargeur incompatible, car il pourrait se briser et causer des dommages corporels graves.** Consulter le tableau en dernière page de ce manuel pour connaître les compatibilités entre chargeurs et blocs-piles.
- Recharger les blocs-piles exclusivement dans des chargeurs DEWALT.
- **NE PAS** éclabousser le bloc-piles ou l'immerger dans l'eau ou dans tout autre liquide.

- **Ne pas entreposer ou utiliser l'appareil et le bloc-piles en présence de températures ambiantes pouvant excéder 40 °C (105 °F) (comme dans des hangars ou des bâtiments métalliques l'été).**

**⚠ DANGER :** risque d'électrocution. Ne jamais ouvrir le bloc-piles pour quelque raison que ce soit. Si le boîtier du bloc-piles est fissuré ou endommagé, ne pas l'insérer dans un chargeur. Ne pas écraser, faire tomber ou endommager le bloc-piles. Ne pas utiliser un bloc-piles ou un chargeur qui a reçu un choc violent, qui est tombé, a été écrasé ou est endommagé de quelque manière que ce soit (p. ex. percé par un clou, frappé d'un coup de marteau, piétiné). En effet, il y a risque de choc électrique ou d'électrocution. Les blocs-piles endommagés doivent être envoyés au centre de réparation pour être recyclés.

**REMARQUE :** un boîtier spécial et des capuchons de sécurité sont fournis avec le bloc-piles pour utilisation chaque fois qu'on le retire de l'outil ou du chargeur pour le ranger ou le transporter. Enlever le capuchon avant de remettre le bloc-piles dans le chargeur ou l'outil.



**⚠ AVERTISSEMENT :** risque d'incendie. Ne pas ranger ni ne transporter les piles de manière à ce que des objets métalliques puissent entrer en contact avec les bornes exposées des piles. On ne doit pas mettre, par exemple, le bloc-piles sans capuchon dans un tablier, une poche, une boîte à outils, une boîte de nécessaire de produit, un tiroir, etc. avec des clous, des vis, des clés, etc. **Le transport des piles peut causer un incendie si les bornes des piles entrent en contact involontairement avec des matières conductrices comme des clés, de la monnaie, des outils manuels et d'autres éléments semblables.** La Hazardous Material Regulations (réglementation sur les produits dangereux) du département américain des transports interdit en fait le transport des blocs-piles pour le commerce et dans les avions (c.-à-d. dans des

valises et les bagages à main) À MOINS qu'ils ne soient bien protégés contre les courts-circuits. Pour le transport de piles individuelles, on doit donc s'assurer que les bornes sont protégées et bien isolées contre toute matière pouvant entrer en contact avec elles et provoquer un court-circuit.

#### DIRECTIVES DE SÉCURITÉ SPÉCIFIQUES AUX PILES DE NICKEL-CADMIUM (NICD) OU À L'HYDRURE MÉTALLIQUE DE NICKEL (NIMH)

- **Ne pas incinérer le bloc-piles, même s'il est très endommagé ou complètement usé, car il pourrait exploser au contact de flammes.**
- **Une petite fuite de liquide peut se produire dans les cellules du bloc-piles en cas d'utilisation extrême ou de conditions de température.** Cela n'indique pas de défaillance.

Toutefois, si le joint d'étanchéité extérieur est rompu :

- a. et que le liquide entre en contact avec la peau, laver rapidement la zone touchée au savon et à l'eau pendant plusieurs minutes.
- b. si le liquide du bloc-piles entre en contact avec les yeux, les rincer abondamment à l'eau propre, pendant un minimum de 10 minutes, et consulter immédiatement un médecin. (**Note médicale :** le liquide est composé d'une solution comprenant de 25 % à 35 % d'hydroxyde de potassium).

#### DIRECTIVES DE SÉCURITÉ SPÉCIFIQUES POUR LES PILES AU LITHIUM-ION (Li-Ion)

- **Ne pas incinérer le bloc-piles même s'il est sévèrement endommagé ou complètement usagé, car il pourrait exploser et causer un incendie.** Pendant l'incinération des blocs-piles au lithium-ion, des vapeurs et matières toxiques sont dégagées.
- **En cas de contact du liquide de la pile avec la peau, rincer immédiatement au savon doux et à l'eau.** En cas de contact oculaire, rincer l'œil ouvert à l'eau claire une quinzaine de minutes ou

jusqu'à ce que l'irritation cesse. Si des soins médicaux s'avéraient nécessaires, noter que l'électrolyte de la pile est composé d'un mélange de carbonates organiques liquides et de sels de lithium.

- **Le contenu des cellules d'une pile ouverte peut causer une irritation respiratoire.** En cas d'inhalation, exposer l'individu à l'air libre. Si les symptômes persistent, consulter un médecin.

**⚠AVERTISSEMENT** : risques de brûlure. Le liquide de la pile peut s'enflammer s'il est exposé à des étincelles ou à une flamme.

### **Le sceau SRPRC<sup>MC</sup>**

Le sceau SRPRC<sup>MC</sup> (Société de recyclage des piles rechargeables au Canada) apposé sur une pile au nickel-cadmium, à hydrure métallique de nickel ou au lithium-ion (ou un bloc-piles) indique que les coûts de recyclage de ces derniers en fin d'utilisation ont déjà été réglés par DEWALT. Dans certaines régions, la mise au rebut ou aux ordures municipales des piles au nickel-cadmium, à l'hydrure métallique de nickel ou au lithium-ion, est illégale ; le programme de SRPRC constitue donc une solution pratique et écologique.

La SRPRC<sup>MC</sup>, en collaboration avec DEWALT et d'autres utilisateurs de piles, a mis sur pied des programmes aux États-Unis et au Canada pour faciliter la collecte des piles au nickel-cadmium, à l'hydrure métallique de nickel ou au lithium-ion usagées. Aidez-nous à protéger l'environnement et à conserver nos ressources naturelles en renvoyant les piles au nickel-cadmium, à l'hydrure métallique de nickel ou au lithium-ion usagées à un centre de réparation autorisé DEWALT ou chez votre détaillant afin qu'elles y soient recyclées. On peut en outre se renseigner auprès d'un centre de recyclage local pour connaître d'autres sites les acceptant.

SRPRC<sup>MC</sup> est une marque déposée de la Société de recyclage des piles rechargeables au Canada.



## **Directives de sécurité importantes propres à tous les chargeurs de piles**

**CONSERVER CES INSTRUCTIONS** : ce manuel contient des directives de sécurité et d'utilisation importantes propres aux chargeurs de piles.

- Avant d'utiliser le chargeur, lire toute consigne et tout avertissement apposés sur le chargeur, le bloc-piles et le produit utilisant le bloc-piles.

**⚠DANGER** : risque d'électrocution. Les bornes de charge présentent une tension de 120 volts. Ne pas sonder les bornes avec des objets conducteurs. En effet, il y a risque de choc électrique ou d'électrocution.

**⚠AVERTISSEMENT** : risques de chocs électriques. Ne laisser aucun liquide pénétrer dans le chargeur, des chocs électriques pourraient en résulter.

**⚠ATTENTION** : risques de brûlure. Pour réduire tout risque de dommages corporels, ne recharger que des piles rechargeables DEWALT. Tout autre type de piles pourrait exploser et causer des dommages corporels et matériels.

**AVIS** : sous certaines conditions, lorsque les contacts de chargement exposés à l'intérieur du le chargeur est connecté au bloc d'alimentation, des matériaux étrangers pourraient court-circuiter le chargeur. Les corps étrangers conducteurs tels que (mais pas limité à) poussières de rectification, débris métalliques, laine d'acier, feuilles d'aluminium, ou toute accumulation de particules métalliques doivent être maintenus à distance des orifices du chargeur. Débrancher systématiquement le chargeur lorsque le bloc-piles n'y est pas inséré. Débrancher systématiquement le chargeur avant tout entretien.

- **NE PAS tenter de charger de bloc-piles avec des chargeurs autres que ceux décrits dans ce manuel.** Le chargeur et son bloc-piles ont été conçus tout spécialement pour fonctionner ensemble.

- **Ces chargeurs n'ont pas été conçus pour une utilisation autre que recharger les blocs-piles rechargeables DEWALT.** Toute autre utilisation comporte des risques d'incendie, de chocs électriques ou d'électrocution.
- **Protéger le chargeur de la pluie ou de la neige.**
- **Tirer sur la fiche plutôt que sur le cordon pour débrancher le chargeur.** Cela permet de réduire les risques d'endommager la fiche ou le cordon d'alimentation.
- **S'assurer que le cordon est protégé de manière à ce que personne ne marche ni ne trébuche dessus, ou à ce qu'il ne soit ni endommagé ni soumis à aucune tension.**
- **N'utiliser une rallonge qu'en cas de nécessité absolue.** L'utilisation d'une rallonge inadéquate comporte des risques d'incendie, de chocs électriques ou d'électrocution.
- **Lors de l'utilisation d'un outil électrique à l'extérieur, utiliser une rallonge conçue à cet effet.** L'utilisation d'une rallonge conçue pour l'extérieur réduit les risques de chocs électriques.
- **Pour la sécurité de l'utilisateur, utiliser une rallonge de calibre adéquat (AWG, American Wire Gauge [calibrage américain normalisé des fils électriques]).** Plus le calibre est petit, et plus sa capacité est grande. Un calibre 16, par exemple, a une capacité supérieure à un calibre 18. L'usage d'une rallonge de calibre insuffisant causera une chute de tension qui entraînera perte de puissance et surchauffe. Si plus d'une rallonge est utilisée pour obtenir une certaine longueur, s'assurer que chaque rallonge présente au moins le calibre de fil minimum. Le tableau ci-dessous illustre les calibres à utiliser selon la longueur de rallonge et l'intensité nominale indiquée sur la plaque signalétique. En cas de doute, utiliser le calibre suivant. Plus le calibre est petit, plus la rallonge peut supporter de courant.

Calibres minimaux des rallonges						
Intensité (en ampères)		volts	Longueur totale de cordon en mètres (pieds)			
		120 V	7,6 (25)	15,2 (50)	30,5 (100)	45,7 (150)
		240 V	15,2 (50)	30,5 (100)	61,0 (200)	91,4 (300)
Supérieur à	Inférieur à	AWG				
0	6		18	16	16	14
6	10		18	16	14	12
10	12		16	16	14	12
12	16		14	12	Non recommandé	

- **Ne poser aucun objet sur le chargeur. Ne pas mettre le chargeur sur une surface molle qui pourrait en bloquer la ventilation et provoquer une surchauffe interne.** Éloigner le chargeur de toute source de chaleur. Le chargeur dispose d'orifices d'aération sur le dessus et le dessous du boîtier.
- **Ne pas le faire fonctionner avec un cordon d'alimentation ou une fiche endommagée.**
- **Ne pas utiliser le chargeur s'il a reçu un coup, fait une chute ou a été endommagé de quelque façon que ce soit.** Le ramener dans un centre de réparation agréé.
- **Ne pas démonter le chargeur. Pour tout service ou réparation, le rapporter dans un centre de réparation agréé.** Le fait de le réassembler de façon incorrecte comporte des risques de chocs électriques, d'électrocution et d'incendie.

- **Débrancher le chargeur du secteur avant tout entretien. Cela réduira tout risque de chocs électriques.** Le fait de retirer le bloc-piles ne réduira pas ces risques.
- **NE JAMAIS** tenter de connecter deux chargeurs ensemble.
- **Le chargeur a été conçu pour être alimenté en courant électrique domestique standard de 120 volts. Ne pas tenter de l'utiliser avec toute autre tension.** Cela ne s'applique pas aux chargeurs de postes mobiles.

### Utilisation du mode Tune-up™ automatique

Le mode de Tune-Up™ automatique égalise ou équilibre chaque cellule du bloc-piles pour lui permettre de fonctionner à son rendement optimum. Les blocs-piles doivent être réglés chaque semaine ou après une dizaine de cycles de charges/décharges ou chaque fois que la durée de fonctionnement du bloc-piles diminue. Pour utiliser le Tune-Up™ automatique, mettre le bloc-piles dans le chargeur et l'y laisser pendant au moins 8 heures. Le chargeur passera par les modes suivants :

1. Le voyant rouge clignotera de façon continue indiquant que le cycle de chargement d'une heure a commencé.
2. Lorsque ce dernier est terminé, le voyant restera allumé sans clignoter. Cela indique que le bloc-piles est chargé à plein et peut être alors utilisé.
3. Si le bloc-piles est laissé dans le chargeur après la charge initiale de 1 heure, le chargeur entrera en mode automatique de mise au point. Ce mode dure jusqu'à 8 heures ou jusqu'à ce que les cellules du bloc-piles soient équilibrées. Le bloc-piles est prêt à être utilisé et peut être enlevé en tout temps durant le mode de mise au point.
4. Lorsque le mode automatique de mise au point est terminé, le chargeur débute une charge d'entretien; le témoin rouge demeurera allumé.

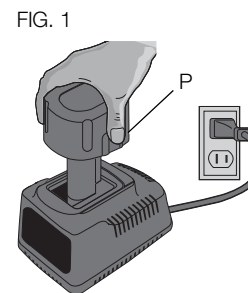
### Chargeurs

Votre outil fonctionne avec un chargeur DEWALT. S'assurer de bien lire toutes les directives de sécurité avant toute utilisation du chargeur. Consulter le tableau à l'arrière de ce manuel pour vous informer de la compatibilité entre chargeurs et blocs-piles.

### Procédure de charge (Fig. 1)

**⚠ DANGER :** risque d'électrocution. Les bornes de charge présentent une tension de 120 volts. Ne pas sonder les bornes avec des objets conducteurs. En effet, il y a risque de choc électrique ou d'électrocution.

1. Branchez le chargeur dans la prise appropriée avant d'y insérer le bloc-piles.
2. Insérez le bloc-piles (P) dans le chargeur, comme illustré en figure 1, en vous assurant qu'il y est correctement calé. Le voyant rouge (charge) clignotera de façon continue indiquant que le cycle de chargement a commencé.
3. En fin de charge, le voyant rouge restera allumé de façon continue. Le bloc-piles est alors complètement chargé et peut être utilisé ou laissé dans le chargeur.



## Fonctionnement du voyant

CHARGEMENT DU BLOC-PILES.....	
CHARGÉ À BLOC.....	
RETARDEMENT BLOC-PILES CHAUD/FROID.....	
REEMPLACER LE BLOC-PILES...	
SOURCE D'ALIMENTATION INADÉQUATE.....	

## Voyants de charge

Certains chargeurs sont conçus pour détecter certains troubles pouvant survenir avec les blocs-piles. Ils sont indiqués par le clignotement rapide du voyant rouge. Dans ce cas, réinsérer le bloc-piles dans le chargeur. Si le trouble persiste, essayer un bloc-piles différent afin de déterminer si le chargeur est en bon état. Si le nouveau bloc-piles est chargé correctement, cela signifie que le bloc-piles initial était défectueux et qu'il doit être retourné à un centre de réparation ou à un site de collecte pour le recyclage. Si le nouveau bloc-piles présente le même trouble que celui d'origine, faire vérifier le chargeur par un centre de réparation autorisé.

### FONCTION DE SUSPENSION DU BLOC-PILES CHAUD/FROID

Certains chargeurs comportent une fonction de suspension du bloc-piles chaud/froid. En effet, lorsque le chargeur détecte un bloc-piles chaud, il suspend immédiatement le chargement jusqu'au refroidissement de celui-ci. Une fois le bloc-piles refroidi, le chargeur passe automatiquement au mode de charge du bloc-piles. Cette fonction assure une durée de vie maximale au bloc-piles. Le voyant rouge émet un clignotement long, puis court en mode de suspension de bloc-piles chaud.

## PROBLÈME AVEC LE SECTEUR

Certains chargeurs présentent un voyant pour tout problème avec le secteur. Lorsque le chargeur est utilisé avec des blocs d'alimentation portatifs comme des génératrices ou des alternateurs, il pourrait temporairement s'arrêter de marcher, **auquel cas un voyant rouge émet deux clignotements rapides suivis d'une pause**. Cela indique que le bloc d'alimentation est hors tolérance.

## BLOC-PILES LAISSÉ DANS LE CHARGEUR

Le chargeur et le bloc-piles peuvent être laissés branchés, le voyant rouge demeurant indéfiniment allumé. Le chargeur maintiendra le bloc-piles chargé à plein et en bon état.

**REMARQUE :** le bloc-piles perdra lentement sa charge une fois retiré du chargeur. Si le bloc-piles n'a pas été maintenu chargé (charge d'entretien), il peut falloir le recharger avant de l'utiliser. De plus, un bloc-piles peut perdre lentement sa charge s'il est laissé dans un chargeur qui n'est pas branché à une source de c.a. appropriée.

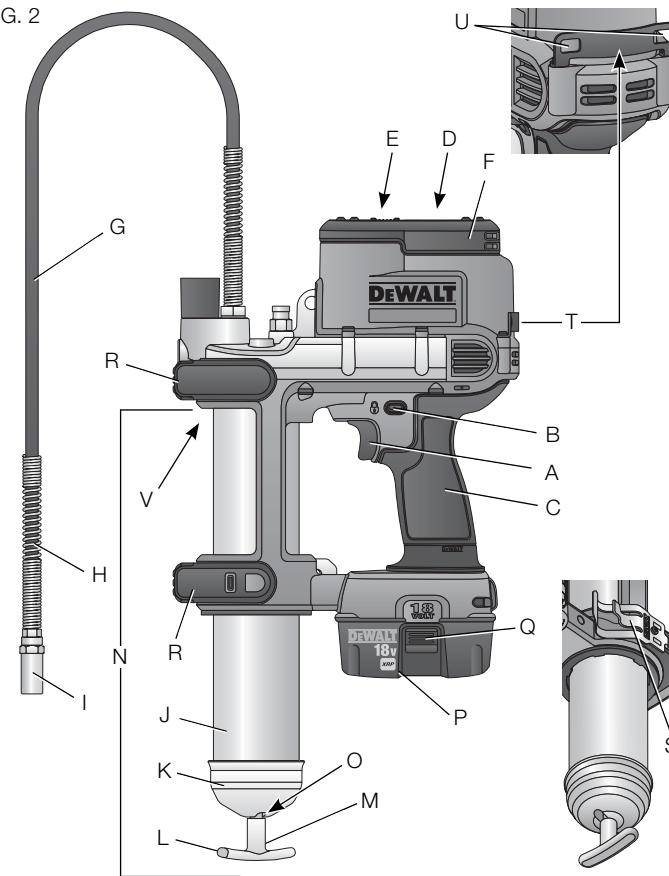
**BLOCS-PILES FAIBLES :** les chargeurs peuvent également détecter les blocs-piles faibles. Ces blocs-piles peuvent encore être utilisés, mais il faut s'attendre à un rendement moindre. Le chargeur indiquera lorsqu'il est temps de remplacer un bloc-pile.

## Remarques importantes concernant le chargement

1. Pour augmenter la durée de vie du bloc-piles et optimiser son rendement, le recharger à une température ambiante de 18 °C à 24 °C (65 °F à 75 °F). NE PAS recharger le bloc-piles à une température inférieure à + 4,5 °C (+ 40 °F) ou supérieure à + 40,5 °C (+ 105 °F). C'est important pour prévenir tout dommage sérieux au bloc-piles.
2. Le chargeur et son bloc-piles peuvent devenir chauds au toucher pendant la charge. C'est normal et ne représente en aucun cas

- une défaillance du produit. Pour faciliter le refroidissement du bloc-piles après utilisation, éviter de laisser le chargeur ou le bloc-piles dans un local où la température ambiante est élevée comme dans un hangar métallique ou une remorque non isolée.
3. Si le bloc-piles ne se recharge pas correctement :
    - a. Vérifier le bon fonctionnement de la prise en y branchant une lampe ou tout autre appareil électrique.
    - b. Vérifier que la prise n'est pas contrôlée par un interrupteur qui coupe le courant lorsqu'on éteint les lumières.
    - c. Déplacer le chargeur et le bloc-piles dans un local où la température ambiante se trouve entre environ 18 °C et 24 °C (65 °F et 75 °F).
    - d. Si le problème persiste, amener l'outil, le bloc-piles et son chargeur dans un centre de réparation local.
  4. Recharger le bloc-piles lorsqu'il ne produit plus assez de puissance pour effectuer un travail qu'il faisait facilement auparavant. **NE PAS CONTINUER** à l'utiliser dans ces conditions. Suivre la procédure de charge. Si nécessaire, il est aussi possible de recharger un bloc-piles partiellement déchargé sans effet nuisible sur le bloc-piles.
  5. Dans certaines circonstances, lorsque le chargeur est branché au bloc d'alimentation, les contacts de chargement exposés à l'intérieur du chargeur peuvent être court-circuités par des corps étrangers conducteurs tels que, mais sans s'y limiter, poussières de rectification, débris métalliques, laine d'acier, feuilles d'aluminium, ou toute accumulation de particules métalliques. Ils doivent être maintenus à distance des ouvertures du chargeur. Débrancher systématiquement le chargeur lorsque le bloc-piles n'y est pas inséré. Débrancher systématiquement le chargeur avant tout entretien.
  6. Ne pas congeler ou immerger le chargeur dans l'eau ou tout autre liquide.

FIG. 2



Français

**⚠ AVERTISSEMENT :** risques de chocs électriques. Ne laisser aucun liquide pénétrer dans le chargeur, des chocs électriques pourraient en résulter.

**⚠ AVERTISSEMENT :** risques de brûlure. Ne jamais tenter d'ouvrir le bloc-piles pour quelque raison que ce soit. Si le boîtier plastique du bloc-piles est brisé ou fissuré, le retourner dans un centre de réparation pour y être recyclé.

### Recommandations de stockage

1. Le lieu idéal de rangement est un lieu frais et sec, à l'abri de toute lumière solaire directe et de toute température excessive.
2. Pour un stockage prolongé, il est recommandé d'entreposer le bloc-piles pleinement chargé dans un lieu frais et sec, hors du chargeur pour optimiser les résultats.

**REMARQUE :** les blocs-piles ne devraient pas être entreposés complètement déchargés. Il sera nécessaire de recharger le bloc-piles avant réutilisation.

### CONSERVER CES CONSIGNES POUR UTILISATION ULTÉRIEURE

### DESCRIPTION (Fig. 2, 5)

**⚠ AVERTISSEMENT :** ne jamais modifier l'outil électrique ni aucun de ses composants, car il y a risques de dommages corporels ou matériels.

#### FIGURE 2

- |  |  |
|--|--|
| A. Gâchette à vitesse variable           | Q. Bouton de libération du bloc-piles                      |
| B. Bouton de verrouillage d'arrêt        | R. Patins en caoutchouc                                    |
| C. Poignée                               | S. Collier de serrage                                      |
| D. Lampe DEL                             | T. Dispositif de fixation de la bandoulière                |
| E. Bouton de la lampe DEL                | U. Point de fixation des clips de la bandoulière           |
| F. Capuchon supérieur                    | V. Filtre  |
| G. Tuyau flexible                        | <b>FIGURE 5</b>  |
| H. Ressort de sécurité du tuyau flexible | W. Détendeur de pression                                   |
| I. Coupleur du tuyau flexible            | X. Valve de purge  |
| J. Tube à graisse                        | Y. Soupape de retenue                                      |
| K. Chapeau du tube à graisse             | Z. Buse de remplissage, filetage NPT 1/8 po                |
| L. Poignée du tube à graisse             | AA. Bouchon de la buse de remplissage, filetage NPT 1/8 po |
| M. Tige du tube à graisse                |  |
| N. Dispositif du tube à graisse          |  |
| O. Rainure de fixation                   |  |
| P. Bloc-piles                            |  |

#### USAGE PRÉVU

Ce pistolet graisseur est un outil de professionnels conçu pour dispenser des lubrifiants.



**NE PAS** l'utiliser en milieu ambiant humide ou en présence de liquides volatiles ou de gaz inflammables.

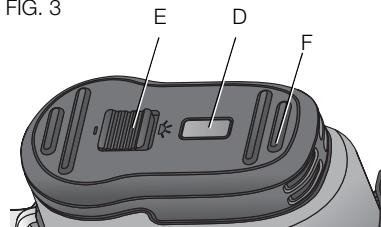
Ce pistolet graisseur est un outil électrique de professionnels. **NE PAS** le laisser à la portée des enfants. Une supervision est nécessaire auprès de tout utilisateur non expérimenté.

### **Lampe DEL (Fig. 2, 3)**

Une lampe DEL (D) est située sur le capuchon supérieur (F). La lampe de travail est activée lorsque la gâchette est activée et que le bouton de la lampe DEL (E) est en position MARCHE (ON). Lorsque le bouton de la lampe DEL est en position ARRÊT (OFF), la lampe DEL n'est pas activée lorsque la gâchette est activée. Tant que la gâchette reste activée, la lampe de travail reste allumée.

**REMARQUE :** la lampe de travail sert à éclairer la surface immédiate de travail et n'a pas été conçue pour être utilisée en tant que lampe torche.

FIG. 3



### **Gâchette à vitesse variable (Fig. 2, 4)**

#### **BOUTON DE VERROUILLAGE ET GÂCHETTE**

Votre pistolet graisseur est équipé d'un bouton de verrouillage (B).

Pour verrouiller la gâchette, appuyez sur le bouton de verrouillage comme illustré en figure 4. Verrouillez systématiquement la gâchette (A) avant de transporter ou ranger l'outil pour éliminer tout démarrage accidentel. Le bouton de verrouillage est rouge lorsqu'il est inactif (déverrouillé).

Pour déverrouiller la gâchette, appuyez sur le bouton de verrouillage comme illustré en figure 4. Appuyez sur la gâchette pour mettre le moteur en marche. Dégagez la gâchette pour arrêter le moteur.

**REMARQUE :** la gâchette à vitesse variable offre une grande versatilité. Plus on appuie sur la gâchette plus le flux de graisse est important.

**⚠ AVERTISSEMENT :** cet outil ne possède aucun verrouillage de gâchette en position de MARCHE et ne devrait en aucune manière être verrouillé en MARCHE.

### **Détendeur de pression (Fig. 5)**

Le détendeur de pression (W) est réglé d'usine pour libérer toute pression supérieure à 9 000 psi (620 bar). La graisse sortant du détendeur de pression indique la

FIG. 4

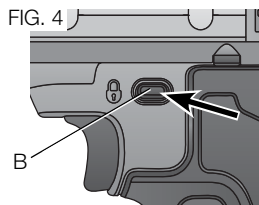
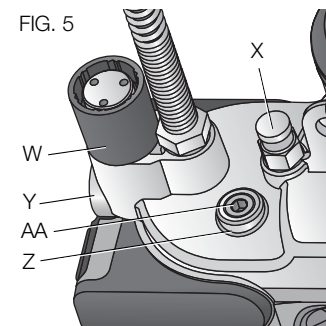


FIG. 5



présence d'un blocage au niveau des raccords, de la conduite ou des paliers. Corrigez systématiquement ces problèmes avant de continuer.

**⚠AVERTISSEMENT : le pistolet graisseur peut produire de la haute pression. Ne jamais retirer ou altérer le détenteur de pression, car il y a risques de dommages corporels graves.**

### **Bandoulière (Fig. 2)**

Votre pistolet graisseur peut être équipé d'une bandoulière. Accrochez les clips de fixation de la bandoulière aux points de fixation des clips de la bandoulière (U) sur le dispositif de fixation de la bandoulière (T).

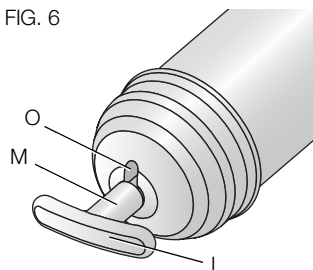
### **ASSEMBLAGE ET AJUSTEMENTS**

**⚠AVERTISSEMENT : pour réduire tout risque de dommages corporels graves, arrêter l'outil, pousser le bouton de verrouillage en position d'ARRÊT (OFF), et retirer le bloc-piles avant tout réglage ou avant de retirer ou installer toute pièce ou tout accessoire.** Tout démarrage accidentel comporte des risques de dommages corporels.

### **Installation d'une cartouche à graisse (Fig. 2, 6)**

1. Repoussez la poignée du tube à graisse (L) aussi loin que possible. Amarrez ensuite la tige du tube à graisse (M) dans la rainure de fixation (O) en retirant la tige par le côté. Vérifiez que la tige est soigneusement arrimée dans la rainure et qu'elle n'en sortira pas.

FIG. 6



2. Dévissez le dispositif du tube à graisse (N) du pistolet graisseur.
3. Retirez le capuchon plastique de la cartouche à graisse, puis insérez la cartouche (l'extrémité ouverte d'abord) dans le tube à graisse (J).
4. Retirez le bouchon à l'autre extrémité de la cartouche à graisse.
5. Revissez le dispositif du tube à graisse (N) dans le pistolet graisseur et serrez soigneusement.
6. Libérez la tige du tube à graisse (M) de la rainure de fixation (O) et poussez-la doucement dans le tube.
7. Utilisez la valve de purge (X, fig. 5) pour évacuer l'air qui pourrait encore se trouver dans la cartouche. Reportez-vous à la section **Purge des poches d'air.**

**IMPORTANT :** l'amorce du pistolet graisseur sera nulle s'il existe des poches d'air dans le lubrifiant.

### **Retrait de la cartouche à graisse vide (Fig. 2)**

1. Repoussez la poignée du tube à graisse (L) aussi loin que possible. Amarrez ensuite la tige du tube à graisse (M) dans la rainure de fixation (O) en retirant la tige par le côté. Vérifiez que la tige est soigneusement arrimée dans la rainure et qu'elle n'en sortira pas.
2. Dévissez le dispositif du tube à graisse (N) du pistolet graisseur et retirez-le.
3. Libérez lentement la poignée du tube à graisse (L) pour extraire la cartouche vide du tube à graisse.

## Remplissage du pistolet graisseur à partir d'un réservoir (vrac) (Fig. 2, 5 à 9)

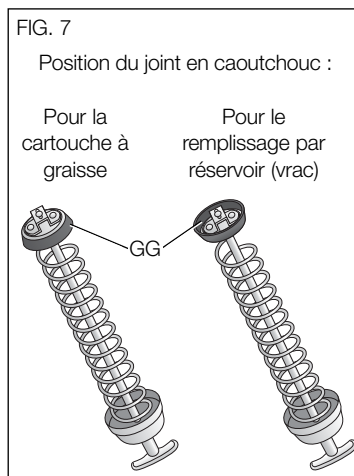
### PRÉPARATION DU PISTOLET GRAISSEUR AU REMPLISSAGE PAR SUCCION ET PAR POMPE DE REMPLISSAGE (Fig. 1, 7)

**REMARQUE :** s'assurer que le pistolet graisseur est bien vide avant d'entamer ce processus.

1. Dévissez le tube à graisse (J) du dispositif du pistolet graisseur (N).
2. Dévissez le chapeau (K) du tube à graisse (J) et retirez la tige à graisse (M).
3. À l'aide du pouce ou de l'index, inversez le joint en caoutchouc (GG) de l'arrière vers l'avant. Reportez-vous en figure 7.

**REMARQUE :** le joint ressemble à une coupelle qui devrait s'ouvrir vers le capuchon supérieur (F, fig. 2) pour permettre le remplissage par succion ou par pompe de remplissage.

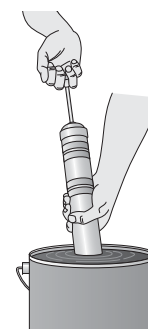
4. Réinsérez la tige du tube à graisse (M) dans le tube à graisse (J).



### REPLISSAGE PAR SUCCION À PARTIR D'UN RÉSERVOIR (VRAC) (Fig. 2, 5, 6, 8)

1. Insérez l'extrémité ouverte du dispositif du tube à graisse dans le réservoir à lubrifiant.
2. Tirez lentement la poignée du tube à graisse (L) pour aspirer le lubrifiant dans le pistolet graisseur.

FIG. 8



**REMARQUE :** s'assurer de bien maintenir l'extrémité ouverte du dispositif du tube à graisse suffisamment enfoncé dans le lubrifiant pour prévenir toute formation de poches d'air dans le tube à graisse.

3. Alors que la tige du tube à graisse (M) est complètement étirée, arrimez-la dans la rainure de fixation (O).
4. Retirez le dispositif du tube du pistolet graisseur du réservoir à lubrifiant et essuyez l'excédent de graisse.
5. Revissez le dispositif du tube du pistolet graisseur (N) sur le pistolet graisseur.
6. Libérez la tige du tube à graisse (M) de la rainure de fixation (O) et poussez-la doucement dans le tube.
7. Utilisez la valve de purge (X, fig. 5) pour évacuer l'air qui pourrait encore se trouver dans la cartouche. Reportez-vous à la section **Purge des poches d'air.**

### REPLISSAGE PAR POMPE À REMPLISSAGE À PARTIR D'UN RÉSERVOIR (Fig. 5, 6, 9)

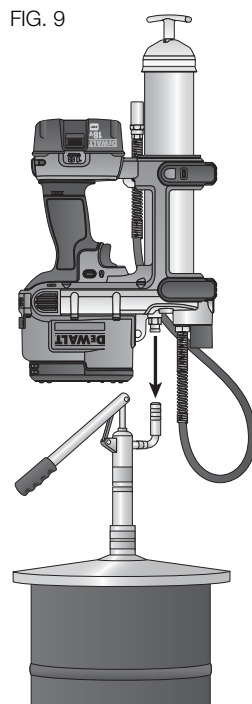
Cet outil est équipé d'une buse de remplissage, filetage NPT 1/8 po (Z, fig. 5) pour lui rattacher un coupleur de remplissage basse pression.

**⚠AVERTISSEMENT :** ne jamais visser un coupleur haute pression sur la buse de remplissage, filetage NPT 1/8 po, du pistolet graisseur. Toute pression excessive pose des risques de dommages corporels graves. Utiliser exclusivement des coupleurs basse pression.

**⚠ATTENTION :** le chargeur de pompe de remplissage doit être connecté correctement sur la buse, filetage NPT de 1/8 po, du pistolet graisseur. La pompe de remplissage ne devrait pas être utilisée si les connexions ne sont pas compatibles.

**Installation du coupleur basse pression (non fourni avec l'outil)**

1. Revissez le dispositif du tube à graisse (N) dans le pistolet graisseur et resserrez soigneusement.
2. Repoussez la poignée du tube à graisse (L) aussi loin que possible. Amarrez ensuite la tige du tube à graisse (M) dans la rainure de fixation (O) en retirant la tige par le côté. Vérifiez que la tige est soigneusement arrimée dans la rainure et qu'elle n'en sortira pas.
3. Retirez le bouchon de la buse de remplissage, filetage NPT 1/8 po (AA) de la buse de remplissage.
4. Vissez le coupleur basse pression approprié sur la buse de remplissage, filetage NPT de 1/8 po (Z).
5. Libérez la tige du tube à graisse (M) de la rainure de fixation (O) et poussez-la lentement dans le tube.



6. Utilisez la valve de purge (X) pour évacuer l'air qui pourrait encore se trouver dans la cartouche. Reportez-vous à la section **Purge des poches d'air**.

**REMPLISSAGE DE L'OUTIL À PARTIR DE LA POMPE DE REMPLISSAGE BASSE PRESSION (Fig. 2, 9)**

1. Abaissez lentement la poignée du tube à graisse puis faites pivoter la tige pour l'arrimer en place.

**REMARQUE :** ne pas verrouiller la tige dans la rainure de fixation (O).

2. Connectez le coupleur basse pression sur le pistolet graisseur au raccord basse pression sur la pompe de remplissage. Ces raccords NE se verrouillent PAS ensemble. C'est pour éviter un trop plein de la cartouche du pistolet graisseur.
3. Remplissez jusqu'à ce que la tige soit repoussée hors du tube à graisse d'environ 20 cm (8 po). Attention à ne pas trop le remplir. Si la tige ne bouge pas au cours du processus, arrêter l'opération. Cela indiquera que la tige n'est pas connectée au piston, répétez alors l'étape 1 avant de continuer.
4. Tournez la tige pour la libérer et repoussez prudemment la tige dans le tube à graisse.

5. Utilisez la valve de purge (X) pour évacuer l'air qui pourrait encore se trouver dans la cartouche. Reportez-vous à la section **Purge des poches d'air**.

**Purge des poches d'air (Fig. 2, 5)**

**IMPORTANT :** les poches d'air dans le réservoir de graisse désamorcent le pistolet. Éliminez les poches d'air après chaque remplissage ou si le pistolet graisseur n'arrive plus à pomper la graisse.

1. Dévissez la valve de purge (X) sans la retirer, et laissez tout l'air s'échapper.
2. Resserrez la valve de purge (X).

3. Enlevez le capuchon du tuyau flexible (G) puis appuyez sur la gâchette à vitesse variable (A) 10 à 20 secondes.

4. Si la graisse refuse de sortir du tuyau, répétez depuis l'étape 1.

**REMARQUE :** cet outil a été testé en usine, et il se pourra qu'il reste un peu de graisse dans le tube à graisse et le dispositif tuyau. Avant tout usage initial, il est recommandé de purger l'outil avec la marque de graisse qui va être utilisée.

## UTILISATION

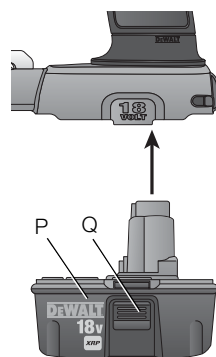
**⚠ AVERTISSEMENT :** pour réduire le risque de blessures graves, éteindre l'outil et retirer le bloc-piles avant d'effectuer tout réglage et d'enlever ou d'installer tout accessoire. Un démarrage accidentel peut provoquer des blessures.

### Installation et retrait du bloc-piles (Fig. 10)

**REMARQUE :** pour des résultats optimums, s'assurer que le bloc-piles est complètement chargé.

Pour installer le bloc-piles (P) dans la poignée de l'outil, alignez l'encoche sur la face interne de la poignée de l'outil avec le bloc-piles, puis insérez fermement le bloc-piles dans la poignée jusqu'à ce qu'il y soit fermement enfoncé (vérifiez qu'il ne s'en détachera pas). Pour retirer le bloc-piles de l'outil, poussez sur le bouton de dégagement (Q) et tirez fermement le bloc-piles hors de la poignée de l'outil. Insérez-le dans son chargeur comme décrit dans la section appropriée de ce manuel.

FIG. 10



### Utilisation du pistolet graisseur (Fig. 2)

**⚠ AVERTISSEMENT :** pour réduire tout risque de dommages corporels graves, maintenir systématiquement et soigneusement la poignée (C) pendant l'utilisation du pistolet graisseur ou pour positionner le tuyau sur ses raccords.

Pour utiliser le pistolet graisseur, maintenez le pistolet graisseur par la poignée (C), ou placez-le sur une surface stable, verticalement sur ses patins en caoutchouc (R) sans lâcher la poignée. En maintenant le tuyau par le ressort de sécurité du tuyau flexible (H), connectez le coupleur à graisse du tuyau flexible (I), ou tout autre coupleur à graisse approprié, sur l'embout à graisse à remplir. Appuyez doucement sur la gâchette à vitesse variable pour commencer le remplissage. Une fois la quantité voulue de graisse obtenue, relâchez la gâchette et retirez le coupleur de l'embout à graisse. Si vous n'arrivez pas à libérer le coupleur, c'est peut-être qu'il reste de la pression dans le tube. Le fait de bouger le coupleur d'un côté et de l'autre pourra libérer la pression résiduelle pour pouvoir retirer le coupleur. Si le coupleur fuit de façon excessive ou ne reste pas accroché à l'embout à graisse, il faudra le changer.

#### FICHE TECHNIQUE

Type de graisse	Jusqu'à NLGI2
Tension	18 v
Pression	9 000 psi (620 bars)
Volume/Débit	141 g/min (5 fl. oz./min)
Capacité de graisse	453 g en vrac (16 oz) 411 g en cartouche (14,5 oz)
Poids de l'outil sans le bloc-piles	4,08 kg (8 lb)
Longueur du tuyau	107 cm (42 po)

## MAINTENANCE

**⚠ AVERTISSEMENT :** pour réduire le risque de blessures graves, éteindre l'outil et retirer le bloc-piles avant d'effectuer tout réglage et d'enlever ou d'installer tout accessoire. Un démarrage accidentel peut provoquer des blessures.

### Nettoyage

**⚠ AVERTISSEMENT :** enlever les saletés et la poussière hors des événements au moyen d'air comprimé propre et sec, au moins une fois par semaine. Pour minimiser le risque de blessure aux yeux, toujours porter une protection oculaire conforme à la norme ANSI Z87.1 lors du nettoyage.

**⚠ AVERTISSEMENT :** ne jamais utiliser de solvants ni d'autres produits chimiques puissants pour nettoyer les pièces non métalliques de l'outil. Ces produits chimiques peuvent affaiblir les matériaux de plastique utilisés dans ces pièces. Utiliser un chiffon humecté uniquement d'eau et de savon doux. Ne jamais laisser de liquide pénétrer dans l'outil et n'immerger aucune partie de l'outil dans un liquide.

### INSTRUCTION D'ENTRETIEN DU BLOC-PILES

Éliminer toute saleté ou graisse de la surface externe du bloc-pile à l'aide d'un chiffon ou d'une brosse non métallique douce. Ne pas utiliser d'eau ni aucun nettoyant liquide.

**⚠ AVERTISSEMENT :** ne jamais utiliser de solvants ou tout autre produit chimique décapant pour nettoyer le bloc-piles. Ces produits chimiques pourraient en altérer les pièces plastiques.

### INSTRUCTION DE NETTOYAGE DU CHARGEUR

**⚠ AVERTISSEMENT :** risque de choc. Débrancher le chargeur de la prise de courant C.A. avant de le nettoyer. La saleté et la graisse peuvent être enlevées de la surface extérieure du chargeur au moyen d'un chiffon ou d'une brosse douce non métallique. Ne pas utiliser d'eau ni d'autres solutions de nettoyage.

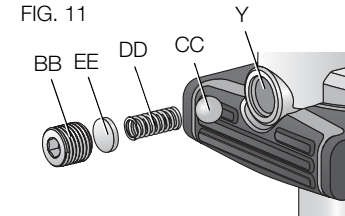
**⚠ AVERTISSEMENT :** ne jamais utiliser de solvants ou tout autre produit chimique décapant pour nettoyer le chargeur. Ces produits chimiques pourraient en altérer les pièces plastiques.

### ÉLIMINATION DES CONTAMINANTS DU PISTOLET GRAISSEUR

#### Élimination des contaminants de la soupape de retenue (Fig. 11)

Si le pistolet graisseur refuse de dispenser de la graisse, la soupape de retenue (Y) doit être nettoyée.

1. Retirez le capuchon de la soupape de retenue (BB), puis la rondelle (EE), le ressort (DD) et la bille de la soupape de retenue (CC).
2. Nettoyez la bille (CC) et autour de la soupape de retenue dans le moulage principal.
3. Réinstallez la bille (CC), le ressort (DD) et enfin la rondelle (EE).
4. Une fois cette portion exempte de graisse, réinstallez le bouchon (BB) de la soupape de retenue.

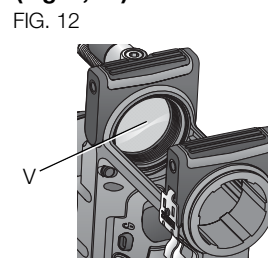


#### Élimination des contaminants du filtre (Fig. 2, 12)

Si le pistolet graisseur refuse de dispenser de la graisse, nettoyez le filtre (V).

**REMARQUE :** s'il reste de la graisse dans le tube, ouvrez la valve de purge avant de tirer sur la poignée du tube.

1. Repoussez la poignée du tube à graisse (L) aussi loin que possible. Amarrez ensuite la tige du tube à



graisse (M) dans la rainure de fixation (O) en retirant la tige par le côté. Vérifiez que la tige est soigneusement arrimée dans la rainure et qu'elle n'en sortira pas.

2. Dévissez le dispositif du tube à graisse (N) du pistolet graisseur et retirez-le.
3. À l'aide d'un petit tournevis ordinaire plat ou d'un objet pointu, sortez lentement le filtre.
4. Nettoyez le filtre à l'aide d'un chiffon doux. S'il reste des débris sur le filtre, utilisez une brosse souple ou un coton-tige.
5. Une fois nettoyé, réinsérez le filtre dans la rainure ronde, en vous assurant qu'il est bien positionné, puis rattachez le dispositif du tube à graisse au pistolet graisseur.

### Accessoires

**⚠ AVERTISSEMENT :** *puisque les accessoires autres que ceux offerts par DEWALT n'ont pas été testés avec ce produit, leur utilisation pourrait s'avérer dangereuse. Pour réduire le risque de blessures, utiliser exclusivement les accessoires DEWALT recommandés avec le présent produit.*

**⚠ AVERTISSEMENT :** *des pressions extrêmes pourraient faire éclater l'embout ou le tuyau flexible. Utiliser exclusivement des tuyaux homologués DEWALT et suivre les instructions et avertissements propres au tuyau flexible.*

Les accessoires recommandés pour cet outil sont vendus séparément au centre de service de votre région. Pour obtenir de l'aide concernant l'achat d'un accessoire, communiquer avec DEWALT Industrial Tool Co., 701 East Joppa Road, Baltimore, MD 21286 aux États-Unis; composer le 1 800 433-9258 (1 800 4-DEWALT) ou visiter notre site Web : [www.dewalt.com](http://www.dewalt.com).

### ACCESSOIRES

DCGG5701	NPT 1/8 po coupleur de pistolet graisseur
DCGG5701-3	NPT 1/8 po coupleur de pistolet graisseur (lot de 3)
DCGG5702	Coupleur de pistolet graisseur à angle droit
DCGG5703-42	NPT 1/8 po dispositif tuyau de pistolet graisseur 107 mm (42 po)
DCGG5703-24	NPT 1/8 po dispositif tuyau de pistolet graisseur 61 mm (24 po)
DCGG5704	Tube cartouche de pistolet à graisse transparent

### Réparations

Le chargeur et le bloc-piles ne sont pas réparables.

Pour assurer la SÉCURITÉ et la FIABILITÉ du produit, les réparations, l'entretien et les réglages doivent être réalisés (cela comprend l'inspection et le remplacement du balai) par un centre de réparation en usine DEWALT, un centre de réparation agréé DEWALT ou par d'autres techniciens qualifiés. Toujours utiliser des pièces de rechange identiques.

### Registre en ligne

Merci pour votre achat. Enregistrez dès maintenant votre produit:

- **RÉPARATIONS SOUS GARANTIE:** cette carte remplie vous permettra de vous prévaloir du service de réparations sous garantie de façon plus efficace dans le cas d'un problème avec le produit.
- **CONFIRMATION DE PROPRIÉTÉ:** en cas de perte provoquée par un incendie, une inondation ou un vol, cette preuve de propriété vous servira de preuve auprès de votre compagnie d'assurances.
- **SÉCURITÉ:** l'enregistrement de votre produit nous permettra de communiquer avec vous dans l'éventualité peu probable de

l'envoi d'un avis de sécurité régi par la loi fédérale américaine de la protection des consommateurs.

Registre en ligne à [www.dewalt.com/register](http://www.dewalt.com/register).

### Garantie limitée de trois ans

DEWALT réparera, sans frais, tout produit défectueux causé par un défaut de matériel ou de fabrication pour une période de trois ans à compter de la date d'achat. La présente garantie ne couvre pas les pièces dont la défectuosité a été causée par une usure normale ou l'usage abusif de l'outil. Pour obtenir de plus amples renseignements sur les pièces ou les réparations couvertes par la présente garantie, visiter le site [www.dewalt.com](http://www.dewalt.com) ou composer le 1 800 433-9258 (1 800 4-DEWALT). Cette garantie ne s'applique pas aux accessoires et ne vise pas les dommages causés par des réparations effectuées par un tiers. Cette garantie confère des droits légaux particuliers à l'acheteur, mais celui-ci pourrait aussi bénéficier d'autres droits variant d'un état ou d'une province à l'autre.

En plus de la présente garantie, les outils DEWALT sont couverts par notre :

#### CONTRAT D'ENTRETIEN GRATUIT D'UN AN

DEWALT entretiendra l'outil et remplacera les pièces usées au cours d'une utilisation normale et ce, gratuitement, pendant une période d'un an à compter de la date d'achat.

#### CONTRAT D'ENTRETIEN GRATUIT DE DEUX ANS SUR LES BLOC-PILES DEWALT

DC9071, DC9091, DC9096, DC9280, DC9360, DC9180, DCB120, DCB201 et DCB203

#### CONTRAT D'ENTRETIEN GRATUIT DE TROIS ANS SUR LES BLOC-PILES DEWALT

DCB200, DCB204

### BLOCS-PILES DEWALT

La garantie de ce produit sera annulée si le bloc-piles a été altéré de quelque façon que ce soit. DEWALT ne peut être tenu responsable de tout dommage corporel causé par l'altération du produit et pourra poursuivre toute fraude en matière de garantie dans toute l'étendue permise par la loi.

#### GARANTIE DE REMBOURSEMENT DE 90 JOURS

Si l'acheteur n'est pas entièrement satisfait, pour quelque raison que ce soit, du rendement de l'outil électrique, du laser ou de la cloueuse DEWALT, celui-ci peut le retourner, accompagné d'un reçu, dans les 90 jours à compter de la date d'achat pour obtenir un remboursement intégral, sans aucun problème.

**AMÉRIQUE LATINE** : cette garantie ne s'applique aux produits vendus en Amérique latine. Pour ceux-ci, veuillez consulter les informations relatives à la garantie spécifique présente dans l'emballage, appeler l'entreprise locale ou consulter le site Web pour les informations relatives à cette garantie.

**REMPLACEMENT GRATUIT DES ÉTIQUETTES D'AVERTISSEMENT** : si les étiquettes d'avertissement deviennent illisibles ou sont manquantes, composer le 1 800 433-9258 (1 800 4-DEWALT) pour en obtenir le remplacement gratuit.

#### DCGG570 CORDLESS GREASE GUN

**WARNING** TO REDUCE THE RISK OF INJURY, USER MUST READ INSTRUCTION MANUAL. ALWAYS USE PROPER EYE AND RESPIRATORY PROTECTION. USE DEWALT BATTERIES. **ADVERTENCIA:** PARA EL MANEJO SEGURO LEA EL MANUAL DE INSTRUCCIONES. SIEMPRE SE DEBERÁ LLEVAR LA PROTECCIÓN APROPIADA PARA LA VISTA Y PARA LAS VÍAS RESPIRATORIAS. UTILICE LAS BATERÍAS DEWALT. **AVERTISSEMENT:** A TITRE PRÉVENTIF, LIRE LE GUIDE. IL FAUT TOUJOURS PORTER DE L'ÉQUIPEMENT DE PROTECTION OCULAIRE ET RESPIRATOIRE APPROPRIÉ. UTILISER SEULEMENT AVEC DES PILES DEWALT. DEWALT INDUSTRIAL TOOL CO., BALTIMORE, MD 21286 USA FOR SERVICE INFORMATION, CALL: 1-800-4-DEWALT [www.DEWALT.com](http://www.DEWALT.com)

**WARNING** HIGH PRESSURE – UP TO 9,000 PSI (620 BAR) AT THE HOSE AND PUMP HOUSING. RISK OF INJECTION, CAUSING SERIOUS INJURY OR INFECTION. ALWAYS WEAR GLOVES DURING OPERATION. DO NOT TREAT AS A SIMPLE CUT. SEEK IMMEDIATE MEDICAL ATTENTION. READ INSTRUCTION MANUAL FOR ADDITIONAL SAFETY INFORMATION.

**ADVERTENCIA** ALTA PRESIÓN – HASTA 9,000 PSI (620 BARES) EN LA MANGUERA Y LA CARCASA DE LA BOMBA. RIESGO DE INYECCIÓN, QUE PUEDE CAUSAR LESIÓN GRAVE O INFECCIÓN. SIEMPRE GUANTE DURANTE LA OPERACIÓN. NO LO TRATE COMO UN SIMPLE CORTO. BUSQUE ATENCIÓN MÉDICA INMEDIATA. LEA EL MANUAL DE INSTRUCCIONES PARA OBTENER INFORMACIÓN ADICIONAL SOBRE SEGURIDAD.

**AVERTISSEMENT** HAUTE PRESION – JUSQU'À 9 000 BARS (620 BARS) AU NIVEAU DU TUYAU ET BOÎTIER DE POMPE. RISQUES D'INJECTIONS CUTANÉES POUVANT CAUSER DES DOMMAGES CORPORELS GRAVES OU DES INFECTIONS. PORTER SYSTÉMATIQUEMENT DES GANTS PENDANT L'UTILISATION. NE PAS TRAITER CETTE ÉVENTUALITÉ COMME UNE SIMPLE COUPURE. CONSULTER IMMÉDIATEMENT UN MÉDECIN. LIRE LE MANUEL DE L'UTILISATEUR POUR PLUS D'INFORMATION SUR LES MESURES DE SÉCURITÉ.



## GUIDE DE DÉPANNAGE

Problème	Cause probable	Solution possible
Impossible de repousser la tige	Présence de vide	Dévisser la valve de purge pour supprimer le vide.
Impossible de tirer la tige en avant	Accumulation de pression	Dévisser la valve de purge pour libérer la pression.
	La tige reste connectée au piston	Faire tourner la poignée du tube à graisse à 90 degrés pour la libérer.
Aucune sortie de graisse alors que l'on pousse sur la gâchette	Le tube à graisse est vide	Rajouter de la graisse.
	Poches d'air dans le tube à graisse	Se reporter à la section <b>Purge des poches d'air.</b>
	Soupape de retenue bouchée	Se reporter à la section <b>Élimination des contaminants de la soupape de retenue.</b>
	Filtre bouché	Se reporter à la section <b>Élimination des contaminants du filtre.</b>
Graisse sur le détenteur de pression	L'embout de graissage est bloqué	Déconnecter le coupleur de l'embout, nettoyer l'embout de graissage et le conduit de graissage.
Le moteur refuse de se mettre en marche alors que l'on pousse sur la gâchette	Bloc-piles	S'assurer que le bloc-piles est pleinement chargé.
Fuite de graisse à l'arrière du tube à graisse	Le joint en caoutchouc est dans le mauvais sens	Se reporter à la section <b>Préparation du pistolet graisseur au remplissage par succion et par pompe de remplissage.</b>

### Definiciones: Normas de seguridad

Las siguientes definiciones describen el nivel de gravedad de cada palabra de señal. Lea el manual y preste atención a estos símbolos.

**▲ PELIGRO:** Indica una situación de peligro inminente que, si no se evita, provocará **la muerte o lesiones graves**.

**▲ ADVERTENCIA:** Indica una situación de peligro potencial que, si no se evita, **podría provocar la muerte o lesiones graves**.

**▲ ATENCIÓN:** Indica una situación de peligro potencial que, si no se evita, **posiblemente provocaría lesiones leves o moderadas**.

**AVISO:** Se refiere a una práctica **no relacionada a lesiones corporales** que de no evitarse **puede** resultar en **daños a la propiedad**.

SI TIENE ALGUNA DUDA O ALGÚN COMENTARIO SOBRE ÉSTA U OTRA HERRAMIENTA DEWALT, LLÁMENOS AL NÚMERO GRATUITO: 1-800-4-DEWALT (1-800-433-9258).



**ADVERTENCIA:** Para reducir el riesgo de lesiones, lea el manual de instrucciones.

### Advertencias generales de seguridad para herramientas eléctricas



**¡ADVERTENCIA!** Lea todas las advertencias de seguridad e instrucciones. El incumplimiento de las advertencias e instrucciones puede provocar descargas eléctricas, incendios o lesiones graves.

## CONSERVE TODAS LAS ADVERTENCIAS E INSTRUCCIONES PARA FUTURAS CONSULTAS

El término "herramienta eléctrica" incluido en las advertencias hace referencia a las herramientas eléctricas operadas con corriente (con cable eléctrico) o a las herramientas eléctricas operadas con baterías (inalámbricas).

### 1) SEGURIDAD EN EL ÁREA DE TRABAJO

- Mantenga el área de trabajo limpia y bien iluminada.** Las áreas abarrotadas y oscuras propician accidentes.
- No opere las herramientas eléctricas en atmósferas explosivas, como ambientes donde haya polvo, gases o líquidos inflamables.** Las herramientas eléctricas originan chispas que pueden encender el polvo o los vapores.
- Mantenga alejados a los niños y a los espectadores de la herramienta eléctrica en funcionamiento.** Las distracciones pueden provocar la pérdida de control.

### 2) SEGURIDAD ELÉCTRICA

- Los enchufes de la herramienta eléctrica deben adaptarse al tomacorriente. Nunca modifique el enchufe de ninguna manera. No utilice ningún enchufe adaptador con herramientas eléctricas con conexión a tierra.** Los enchufes no modificados y que se adaptan a los tomacorrientes reducirán el riesgo de descarga eléctrica.
- Evite el contacto corporal con superficies con descargas a tierra como, por ejemplo, tuberías, radiadores, cocinas eléctricas y refrigeradores.** Existe mayor riesgo de descarga eléctrica si su cuerpo está puesto a tierra.
- No exponga las herramientas eléctricas a la lluvia o a condiciones de humedad.** Si entra agua a una herramienta eléctrica, aumentará el riesgo de descarga eléctrica.

- d) **No maltrate el cable. Nunca utilice el cable para transportar, tirar o desenchufar la herramienta eléctrica. Mantenga el cable alejado del calor, el aceite, los bordes filosos y las piezas móviles.** Los cables dañados o enredados aumentan el riesgo de descarga eléctrica.
  - e) **Al operar una herramienta eléctrica en el exterior, utilice un cable prolongador adecuado para tal uso.** Utilice un cable adecuado para uso en exteriores a fin de reducir el riesgo de descarga eléctrica.
  - f) **Si el uso de una herramienta eléctrica en un lugar húmedo es imposible de evitar, utilice un suministro protegido con un interruptor de circuito por falla a tierra (GFCI).** El uso de un GFCI reduce el riesgo de descargas eléctricas.
- 3) SEGURIDAD PERSONAL**
- a) **Permanezca alerta, controle lo que está haciendo y utilice el sentido común cuando emplee una herramienta eléctrica. No utilice una herramienta eléctrica si está cansado o bajo el efecto de drogas, alcohol o medicamentos.** Un momento de descuido mientras se opera una herramienta eléctrica puede provocar lesiones personales graves.
  - b) **Utilice equipos de protección personal. Siempre utilice protección para los ojos.** En las condiciones adecuadas, el uso de equipos de protección, como máscaras para polvo, calzado de seguridad antideslizante, cascos o protección auditiva, reducirá las lesiones personales.
  - c) **Evite el encendido por accidente. Asegúrese de que el interruptor esté en la posición de apagado antes de conectarlo a la fuente de energía o paquete de baterías, o antes de levantar o transportar la herramienta.** Transportar herramientas eléctricas con el dedo apoyado en el interruptor o enchufar herramientas eléctricas con el interruptor en la posición de encendido puede propiciar accidentes.
- d) **Retire la clavija de ajuste o la llave de tuercas antes de encender la herramienta eléctrica.** Una llave de tuercas o una clavija de ajuste que quede conectada a una pieza giratoria de la herramienta eléctrica puede provocar lesiones personales.
  - e) **No se estire. Conserve el equilibrio y párese adecuadamente en todo momento.** Esto permite un mejor control de la herramienta eléctrica en situaciones inesperadas.
  - f) **Use la vestimenta adecuada. No use ropas holgadas ni joyas. Mantenga el cabello, la ropa y los guantes alejados de las piezas en movimiento.** Las ropas holgadas, las joyas o el cabello largo pueden quedar atrapados en las piezas en movimiento.
  - g) **Si se suministran dispositivos para la conexión de accesorios con fines de recolección y extracción de polvo, asegúrese de que estén conectados y que se utilicen correctamente.** El uso de dispositivos de recolección de polvo puede reducir los peligros relacionados con el polvo.
- 4) USO Y MANTENIMIENTO DE LA HERRAMIENTA ELÉCTRICA**
- a) **No fuerce la herramienta eléctrica. Utilice la herramienta eléctrica correcta para el trabajo que realizará.** Si se la utiliza a la velocidad para la que fue diseñada, la herramienta eléctrica correcta permite trabajar mejor y de manera más segura.
  - b) **No utilice la herramienta eléctrica si no puede encenderla o apagarla con el interruptor.** Toda herramienta eléctrica que no pueda ser controlada mediante el interruptor es peligrosa y debe repararse.
  - c) **Desconecte el enchufe de la fuente de energía o el paquete de baterías de la herramienta eléctrica antes de realizar ajustes, cambiar accesorios o almacenar la herramienta eléctrica.** Estas medidas de seguridad

preventivas reducen el riesgo de encender la herramienta eléctrica en forma accidental.

- d) **Guarde la herramienta eléctrica que no esté en uso fuera del alcance de los niños y no permita que otras personas no familiarizadas con ella o con estas instrucciones operen la herramienta.** Las herramientas eléctricas son peligrosas si son operadas por usuarios no capacitados.
- e) **Realice el mantenimiento de las herramientas eléctricas. Revise que no haya piezas en movimiento mal alineadas o trabadas, piezas rotas o cualquier otra situación que pueda afectar el funcionamiento de la herramienta eléctrica. Si encuentra daños, haga reparar la herramienta eléctrica antes de utilizarla.** Se producen muchos accidentes a causa de las herramientas eléctricas que carecen de un mantenimiento adecuado.
- f) **Mantenga las herramientas de corte afiladas y limpias.** Las herramientas de corte con mantenimiento adecuado y con los bordes de corte afilados son menos propensas a trabarse y son más fáciles de controlar.
- g) **Utilice la herramienta eléctrica, los accesorios y las brocas de la herramienta, etc. de acuerdo con estas instrucciones y teniendo en cuenta las condiciones de trabajo y el trabajo que debe realizarse.** El uso de la herramienta eléctrica para operaciones diferentes de aquéllas para las que fue diseñada podría originar una situación peligrosa.

## 5) USO Y MANTENIMIENTO DE LA HERRAMIENTA CON BATERÍAS

- a) **Recargue solamente con el cargador especificado por el fabricante.** Un cargador adecuado para un tipo de paquete de baterías puede originar riesgo de incendio si se utiliza con otro paquete de baterías.

- b) **Utilice herramientas eléctricas sólo con paquetes de baterías específicamente diseñados.** El uso de cualquier otro paquete de baterías puede producir riesgo de incendio y lesiones.
- c) **Cuando no utilice el paquete de baterías, manténgalo lejos de otros objetos metálicos como sujetapapeles, monedas, llaves, clavos, tornillos u otros objetos metálicos pequeños que puedan realizar una conexión desde un terminal al otro.** Los cortocircuitos en los terminales de la batería pueden provocar quemaduras o incendio.
- d) **En condiciones abusivas, el líquido puede ser expulsado de la batería. Evite su contacto. Si entra en contacto accidentalmente, enjuague con agua. Si el líquido entra en contacto con los ojos, busque atención médica.** El líquido expulsado de la batería puede provocar irritación o quemaduras.

## 6) MANTENIMIENTO

- a) **Solicite a una persona calificada en reparaciones que realice el mantenimiento de su herramienta eléctrica y que sólo utilice piezas de repuesto idénticas.** Esto garantizará la seguridad de la herramienta eléctrica.

## Normas de seguridad adicionales para pistolas engrasadoras

- **Partes de la herramienta o de la unidad de la manguera pueden romperse debido a la alta presión. Puede producirse un riesgo de lesión grave.** Antes de utilizar la herramienta, inspeccione siempre la misma y la unidad de la manguera para determinar si se ha producido algún daño o desgaste. No la utilice si alguna pieza de la herramienta está dañada o desgastada.
- **Utilice solo mangueras flexibles aprobadas por DEWALT.** Sujete la manguera únicamente por el protector de muelle de

- seguridad de la manguera flexible para evitar lesiones corporales graves.
- **Si la manguera se retuerce o está dañada, puede producirse una rotura que podría ocasionar lesiones graves.** Cambie la manguera cuando descubra los primeros signos de desgaste, retorcimiento o daño.
  - **Use solamente la grasa recomendada en este manual.** Consulte la tabla de **Información técnica** bajo la sección **Utilización de la pistola engrasadora.**
  - **Para reducir el riesgo de lesiones corporales graves, no utilice la pistola engrasadora en las piezas en movimiento, los mecanismos o el equipo en funcionamiento ni cerca de ellos.**
  - **Los orificios de ventilación suelen cubrir piezas en movimiento, por lo que también se deben evitar.** Las piezas en movimiento pueden atrapar prendas de vestir sueltas, joyas o el cabello largo.

**⚠ADVERTENCIA: Riesgo de infección o lesión grave. La rotura de los componentes puede inyectar grasa en la piel o los ojos, y causar una lesión o infección graves. No lo trate como un simple corte. Busque atención médica inmediata.**

**⚠ADVERTENCIA: La salida puede producirse a alta presión.** No dirija la descarga hacia usted ni hacia otras personas.

**⚠ADVERTENCIA: La pistola engrasadora puede generar alta presión: hasta 9,000 psi (620 bares). Utilice siempre guantes cuando esté en funcionamiento.** Mantenga las manos alejadas de la parte de goma expuesta de la manguera.

**⚠ADVERTENCIA: Riesgo de incendio. La grasa puede ser inflamable.** No exponer al fuego ni a temperaturas altas. Lea y siga todas las advertencias e instrucciones del fabricante del lubricante.

**⚠ADVERTENCIA:** Use **SIEMPRE** lentes de seguridad. Los anteojos de diario **NO SON** lentes de seguridad. Utilice además una cubrebocas o mascarilla antipolvo si la operación de corte genera demasiado polvo. **SIEMPRE LLEVE EQUIPO DE SEGURIDAD CERTIFICADO:**

- protección ocular ANSI Z87.1 (CAN/CSA Z94.3),
- protección auditiva ANSI S12.6 (S3.19),
- protección respiratoria NIOSH/OSHA/MSHA.

**⚠ADVERTENCIA:** Algunas partículas de polvo generadas al lijar, serrar, esmerilar y taladrar con herramientas eléctricas, así como al realizar otras actividades de construcción, contienen químicos que el Estado de California sabe que pueden producir cáncer, defectos congénitos u otras afecciones reproductivas. Ejemplos de estos químicos son:

- plomo de algunas pinturas en base a plomo,
- polvo de sílice proveniente de ladrillos y cemento y otros productos de albañilería, y
- arsénico y cromo provenientes de madera tratada químicamente.

Su riesgo de exposición a estos químicos varía, dependiendo de la frecuencia con la cual realiza usted este tipo de trabajo. Para reducir su exposición a estas sustancias químicas: trabaje en una zona bien ventilada y llevando equipos de seguridad aprobados, como mascarillas antipolvo especialmente diseñadas para filtrar partículas microscópicas.

- **Evite el contacto prolongado con polvo generado por el lijado, aserrado, pulido, taladrado y otras actividades de construcción. Vista ropas protectoras y lave las áreas de la piel expuestas con agua y jabón.** Si permite que el polvo se introduzca en la boca u ojos o quede sobre la piel, puede favorecer la absorción de productos químicos peligrosos.

**⚠ADVERTENCIA:** La utilización de esta herramienta puede generar polvo o dispersarlo, lo que podría causar daños graves y permanentes al sistema respiratorio, así como otras lesiones. Siempre use protección respiratoria aprobada por NIOSH (Instituto Nacional de Seguridad y Salud en el Trabajo) u OSHA (Administración de Seguridad y Salud en el Trabajo) apropiada para la exposición al polvo. Dirija las partículas en dirección contraria a la cara y el cuerpo.

**⚠ADVERTENCIA:** Siempre lleve la debida protección auditiva personal en conformidad con ANSI S12.6 (S3.19) durante el uso de esta herramienta. Bajo algunas condiciones y duraciones de uso, el ruido producido por este producto puede contribuir a la pérdida auditiva.

**⚠ATENCIÓN:** Cuando no esté en uso, guarde la herramienta apoyada en un costado sobre una superficie estable, donde no interrumpa el paso o provoque una caída. Algunas herramientas con paquetes de baterías de gran tamaño pueden colocarse paradas sobre el paquete de baterías, pero pueden caerse fácilmente.

- La etiqueta de su herramienta puede incluir los siguientes símbolos.

A continuación se indican los símbolos y sus definiciones:	
V..... voltios	A..... amperios
Hz..... hertz	W..... vatios
min ..... minutos	~ o AC ..... corriente
—=— o DC .... corriente directa	alterna
⚠..... Construcción de Clase I (tierra)	≈ o AC/DC .... corriente alterna
□..... Construcción de Clase II (doble aislamiento)	o directa
	n ..... velocidad nominal

.../min ..... por minuto	n <sub>o</sub> ..... velocidad sin carga
IPM ..... impactos por minuto	⊕ ..... terminal de conexión a tierra
sfpm ..... pies de superficie por minuto	⚠ ..... símbolo de advertencia de seguridad
RPM ..... revoluciones por minuto	
BPM ..... golpes por minuto	
SPM ..... pasadas por minuto	
psi ..... libras por pulgada cuadrada	

### Instrucciones de seguridad importantes para todas las unidades de batería

Cuando solicite unidades de batería de repuesto, no olvide indicar el número de catálogo y el voltaje. Consulte la tabla al final de este manual para ver la compatibilidad entre cargadores y unidades de batería.

La unidad de batería no viene completamente cargada de fábrica. Antes de usar la unidad de batería y el cargador, lea las siguientes instrucciones de seguridad. Luego, siga los procedimientos de carga indicados.

#### LEA TODAS LAS INSTRUCCIONES

- **No cargue o use la batería en atmósferas explosivas, como en presencia de líquidos, gases o polvos inflamables.** Puede que al insertar o sacar la batería del cargador se inflamen el polvo o los gases.
- **NUNCA fuerce la unidad de batería para que entre en el cargador. NO modifique la unidad de batería en ninguna forma para que entre en un cargador no compatible, pues**

**puede producir una ruptura en la unidad de batería y causar lesiones corporales graves.** Consulte la tabla al final de este manual para ver la compatibilidad entre baterías y cargadores.

- Cargue las unidades de batería sólo en cargadores DEWALT.
- **NO** salpique con ni sumerja en agua u otros líquidos.
- **No guarde ni use la herramienta y unidad de batería en lugares donde la temperatura pueda alcanzar o superar los 40 °C (105 °F), tales como cobertizos o construcciones de metal durante el verano).**

**⚠PELIGRO:** Riesgo de electrocución. Nunca intente abrir el paquete de baterías por ningún motivo. Si la caja del paquete de baterías está agrietada o dañada, no la introduzca en el cargador. No comprima, deje caer ni dañe el paquete de baterías. No utilice un paquete de baterías o un cargador que haya recibido un golpe fuerte, se haya caído, esté agotado o dañado de alguna forma (por ejemplo, perforado con un clavo, golpeado con un martillo, pisado). Esto puede provocar descargas eléctricas o electrocución. Los paquetes de baterías dañados deben devolverse al centro de mantenimiento para su reciclado.

**NOTA:** Se proveen tapas para almacenamiento y transporte de las baterías, para utilizar siempre cuando la batería esté fuera de la herramienta o del cargador. Retire la tapa antes de colocar la batería en el cargador o en la herramienta.



**⚠ADVERTENCIA:** Riesgo de incendio. No guarde o transporte la batería de ninguna manera que permita que los terminales expuestos de la batería entren en contacto con objetos metálicos. Por ejemplo, no coloque la batería en delantales, bolsillos, cajas de herramientas, cajas de juegos de productos, cajones, etc., con clavos, llaves, tornillos sueltos, etc. sin la tapa. **Transportar baterías puede provocar incendios si los terminales de la batería entran en contacto accidentalmente con materiales**

**conductores como llaves, monedas, herramientas de mano u objetos similares.** Las Normas para Materiales Peligrosos del Departamento de Transporte de los EE.UU. (HMR) concretamente prohíben transportar baterías comercialmente o en aviones (es decir, empacadas en maletas y equipaje de mano) A MENOS que estén debidamente protegidas de cortocircuitos. Por lo tanto, cuando transporte baterías individuales, asegúrese de que los terminales de la batería estén protegidos y bien aislados de materiales que puedan hacer contacto y causar un cortocircuito.

#### **INSTRUCCIONES DE SEGURIDAD ESPECÍFICAS PARA BATERÍAS DE NÍQUEL CADMIO (NiCd) O HIDRURO METÁLICO DE NÍQUEL (NiMH)**

- **No incinere el paquete de baterías, aun si tiene daños importantes o está completamente desgastado.** El paquete de baterías puede explotar en el fuego.
- **Una pequeña pérdida de líquido de las celdas del paquete de baterías puede presentarse en condiciones de uso o temperatura extremas.** Esto no indica una falla.

Sin embargo, si el sello externo está roto:

- a. y el líquido de la batería entra en contacto con su piel, lávese inmediatamente con agua y jabón durante varios minutos.
- b. y el líquido de la batería entra en contacto con sus ojos, lávelos con agua limpia durante al menos 10 minutos y busque atención médica inmediatamente. **(Nota médica:** el líquido es una solución de hidróxido de potasio al 25%–35%).

#### **INSTRUCCIONES DE SEGURIDAD ESPECÍFICAS PARA BATERÍAS DE IONES DE LITIO (Li-Ion)**

- **NO incinere la unidad de batería, aunque esté completamente dañada o descargada. La unidad de batería puede explotar si se quema.** Cuando se queman unidades de batería de iones de litio, se producen gases y materiales tóxicos.

- **Si el contenido de la batería entra en contacto con la piel, lave el área de inmediato con agua y un jabón suave.** Si el líquido de la batería entra en contacto con sus ojos, enjuáguelos con agua y los ojos abiertos por 15 minutos o hasta que cese la irritación. Si se requiere de asistencia médica, el electrolito de la batería está compuesto por una mezcla de carbonatos orgánicos líquidos y sales de litio.
- **El contenido de los elementos abiertos de la batería puede causar irritación en el tracto respiratorio.** Salga al aire fresco. Si los síntomas persisten, busque asistencia médica.

**⚠ADVERTENCIA:** Peligro de quemaduras. El líquido de la batería puede ser inflamable si se expone a chispas o llamas.

### El sello RBRC™

El sello RBRC™ (Rechargeable Battery Recycling Corporation) en las baterías (o unidades de batería) de níquel cadmio, níquel e hidruro metálico o de iones de litio indica que el costo de reciclaje de estas baterías (o unidades de batería) al llegar al final de su vida de servicio ya ha sido pagado por DEWALT. En algunas áreas, es ilegal depositar baterías de níquel cadmio, níquel e hidruro metálico o de iones de litio gastadas en la basura o la corriente de residuos sólidos urbanos; el programa RBRC proporciona una alternativa ecológica.

RBRC™, en cooperación con DEWALT y otros usuarios de baterías, han establecido programas en los Estados Unidos y Canadá para facilitar la recolección de baterías de níquel cadmio, níquel e hidruro metálico o de iones de litio gastadas. Al llevar sus baterías de níquel cadmio, níquel e hidruro metálico y de iones de litio gastadas a un centro de servicio autorizado por DEWALT o al minorista local para que sean recicladas, ayuda a proteger el medio ambiente y a conservar recursos naturales. También puede comunicarse con el centro de



reciclaje de su localidad para mayor información sobre dónde llevar sus baterías gastadas.

RBRC™ es una marca comercial registrada de Rechargeable Battery Recycling Corporation.

## Instrucciones importantes de seguridad para todos los cargadores de baterías

**GUARDE ESTAS INSTRUCCIONES:** Este manual contiene instrucciones de seguridad y operación importantes para los cargadores de baterías.

- Antes de usar el cargador, lea todas las instrucciones y advertencias que se encuentren en el cargador, la unidad de batería y el producto que usa la unidad de batería.

**⚠PELIGRO:** riesgo de electrocución. Hay 120 voltios en los terminales de carga. No realice pruebas con objetos conductores. Esto puede provocar descargas eléctricas o electrocución.

**⚠ADVERTENCIA:** peligro de descarga eléctrica. No permita que ningún líquido se introduzca en el cargador. Puede producir descargas eléctricas.

**⚠ATENCIÓN:** peligro de quemaduras. Para reducir el riesgo de lesiones, sólo cargue baterías recargables marca DEWALT. Otros tipos de baterías pueden estallar y causar así lesiones corporales y daños.

**AVISO:** bajo ciertas condiciones, cuando el cargador está enchufado a una toma de corriente, los contactos de carga expuestos dentro del cargador pueden hacer cortocircuito si entra en contacto con algún material ajeno. Los materiales ajenos conductores por naturaleza, tales como, pero sin limitarse a, el polvo del esmerilado, las virutas metálicas, la lana de acero, el papel de aluminio o cualquier acumulación de partículas metálicas deberían mantenerse alejados de las cavidades del cargador. Desenchufe siempre el cargador de la toma de corriente cuando no haya una unidad de batería en su cavidad. Desenchufe el cargador antes de intentar limpiarlo.



- **NO intente cargar la unidad de batería con otros cargadores que no sean los descritos en este manual.** El cargador y la unidad de batería fueron específicamente diseñados para trabajar en conjunto.
- **Estos cargadores no fueron diseñados para ser utilizados para más que cargar las baterías recargables DEWALT.** Cualquier otro uso puede producir riesgo de incendios, descargas eléctricas o electrocución.
- **No exponga el cargador a la lluvia o a la nieve.**
- **Tire del enchufe y no del cable cuando desconecte el cargador.** De esta forma se reduce el riesgo de daño al enchufe y cable.
- **Asegúrese de que el cable no sea ubicado de manera que podría ser pisado, causar que alguien tropiece con él o ser expuesto a otro tipo de daños y desgastes.**
- **No use un alargador a menos que sea absolutamente necesario.** El uso de un alargador incorrecto podría producir riesgo de incendios, descargas eléctricas o electrocución.
- **Cuando opere una herramienta eléctrica afuera, use un alargador de exterior.** El uso de un alargador de exterior reduce el riesgo de descarga eléctrica.
- **El cable de extensión deben ser de un calibre apropiado para su seguridad.** Mientras menor sea el calibre del hilo, mayor la capacidad del cable. Es decir, un hilo calibre 16 tiene mayor capacidad que uno de 18. Un cable de un calibre insuficiente causará una caída en la tensión de la línea dando por resultado una pérdida de energía y sobrecalentamiento. Cuando se utilice más de un alargador para completar el largo total, asegúrese que los hilos de cada alargador tengan el calibre mínimo. La tabla siguiente muestra el tamaño correcto a utilizar, dependiendo de la longitud del cable y del amperaje nominal de la placa de identificación. Si

tiene dudas sobre cuál calibre usar, use un calibre mayor. Cuanto más pequeño sea el número del calibre, más resistente será el cable.

Calibre mínimo para cables de alimentación						
Amperaje		Voltios	Largo total del cordón en metros (pies)			
		120 V	7,6 (25)	15,2 (50)	30,5 (100)	45,7 (150)
		240 V	15,2 (50)	30,5 (100)	61,0 (200)	91,4 (300)
Más de	No más de	AWG				
0	6		18	16	16	14
6	10		18	16	14	12
10	12		16	16	14	12
12	16		14	12	No recomendado	

- **No coloque ningún objeto encima del cargador ni coloque a este sobre una superficie blanda que pudiera bloquear las ranuras de ventilación y resultar en un calor interno excesivo.** Coloque el cargador en un lugar alejado de cualquier fuente de calor. El cargador se ventila a través de las ranuras que se encuentran en la parte superior e inferior de la caja protectora.
- **No opere el cargador si su cable o enchufe están dañados.**
- **No opere el cargador si ha recibido un golpe agudo, si se ha dejado caer o si ha sido dañado de alguna otra forma.** Llévelo a un centro de servicio autorizado.
- **No desarme el cargador; llévelo a un centro de servicio autorizado cuando deba ser reparado.** Si es reensamblado incorrectamente, puede causar descargas eléctricas, electrocución o incendios.

- **Desenchufe el cargador antes de intentar limpiarlo. Esto reducirá el riesgo de descargas eléctricas.** El retirar el paquete de baterías no reducirá este riesgo.
- **NUNCA** intente conectar dos cargadores entre sí.
- **El cargador está diseñado para operar con una corriente eléctrica estándar residencial de 120 voltios. No intente usarlo con ningún otro voltaje.** Esto no aplica al cargador vehicular.

### Utilización del modo Tune-Up™ automático

El modo Tune-Up™ automático iguala o equilibra las células individuales en el paquete de baterías de modo que permite que funcione a una capacidad máxima. Los paquetes de baterías deben ajustarse semanalmente o después de 10 ciclos de carga/descarga o siempre que el paquete ya no suministre la misma cantidad de potencia. Para utilizar el Tune-Up™ automático, coloque el paquete de baterías en el cargador y déjelo durante al menos 8 horas. El cargador utilizará los siguientes modos.

1. La luz roja se encenderá y apagará continuamente para indicar que se ha iniciado el ciclo de carga de 1 hora.
2. Cuando el ciclo de carga de 1 hora se complete, la luz permanecerá encendida en forma continua y ya no parpadeará. Esto indica que el paquete está completamente cargado y se puede utilizar en este momento.
3. Si se deja el paquete de baterías en el cargador después del ciclo de carga inicial de 1 hora, el cargador iniciará el modo Tune-Up automático. Este modo continúa hasta 8 horas o hasta que las celdas individuales del paquete de baterías estén igualados. Entonces el paquete de baterías está listo para usar y se puede retirar en cualquier momento durante el modo Tune-up.

4. Una vez que está completo el modo Tune-up, el cargador iniciará una carga de mantenimiento; el indicador rojo quedará encendido.

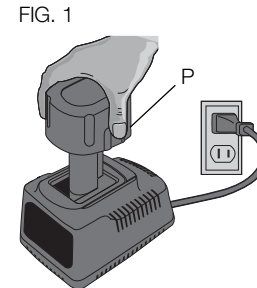
### Cargadores

Su herramienta utiliza un cargador DEWALT Asegúrese de leer todas las instrucciones de seguridad antes de usar el cargador. Consulte el gráfico al final del manual para conocer la compatibilidad entre los cargadores y los paquetes de baterías.

### Procedimiento de carga (Fig. 1)

**⚠ PELIGRO:** Riesgo de electrocución. Hay 120 voltios en los terminales de carga. No realice pruebas con objetos conductores. Esto puede provocar descargas eléctricas o electrocución.

1. Enchufe el cargador en una toma de corriente apropiada antes de insertar la unidad de batería.
2. Inserte la unidad de batería (P) en el cargador, como se muestra en la Figura 1, comprobando que quede bien colocado dentro del mismo. La luz roja (de carga) parpadeará continuamente para indicar que se ha iniciado el proceso de carga.
3. La luz roja se quedará encendida continuamente cuando se haya completado el proceso de carga. La unidad estará entonces completamente cargada y podrá ser utilizado de inmediato o dejarse en el cargador.



## **Operación de la luz indicadora**

PAQUETE CARGANDO.....	
COMPLETAMENTE CARGADO.....	
RETRASO POR PAQUETE CALIENTE/FRÍO.....	
REEMPLAZAR PAQUETE.....	
LÍNEA DE POTENCIA CON PROBLEMAS.....	

## **Indicadores de carga**

Algunos cargadores están diseñados para detectar determinados problemas que pueden surgir con los paquetes de baterías. Los problemas se indican con una luz roja que se encenderá y apagará rápidamente. De ser así, vuelva a introducir el paquete de baterías en el cargador. Si el problema persiste, intente utilizar un paquete de baterías diferente para determinar si el cargador está en buenas condiciones. Si el nuevo paquete se carga correctamente significa que el paquete original es defectuoso y debe devolverse a un centro de mantenimiento u otro sitio de recopilación para su reciclado. Si el nuevo paquete de baterías presenta el mismo problema que el original, haga probar el cargador en un centro de mantenimiento autorizado.

### **RETRASO POR PAQUETE CALIENTE/FRÍO**

Algunos cargadores pueden tener una función de Retraso por paquete caliente/frío: cuando el cargador detecta una batería caliente, enciende automáticamente un Retraso por paquete caliente que suspende la carga hasta que la batería se enfría. Después de que la batería se ha enfriado, el cargador cambia automáticamente al modo de Paquete cargando. Esta función garantiza la duración máxima de la batería. La luz roja se enciende y apaga durante períodos prolongados, y durante períodos cortos durante el modo de Retraso por paquete caliente.

### **LÍNEA DE POTENCIA CON PROBLEMAS**

Algunos cargadores tienen un indicador de Línea de potencia con problemas. Cuando el cargador se utiliza con algunas fuentes de potencia portátiles, como generadores o fuentes que convierten CC a CA, el cargador puede suspender temporalmente el funcionamiento, **ocasión en la que la luz roja se encenderá y apagará rápidamente dos veces, seguido de una pausa**. Esto indica que la fuente de alimentación está fuera de los límites.

### **DEJAR EL PAQUETE DE BATERÍAS EN EL CARGADOR**

El cargador y el paquete de baterías se pueden dejar conectados con la luz roja encendida indefinidamente. El cargador mantendrá el paquete de baterías como nuevo y completamente cargado.

**NOTA:** El paquete de baterías perderá lentamente su carga si se mantiene fuera del cargador. Si el paquete de baterías no ha permanecido en carga de mantenimiento, podría ser necesario cargarlo nuevamente antes de su uso. Un paquete de baterías también podría perder su carga lentamente si se deja en un cargador que no esté conectado a un suministro de CA apropiado.

**PAQUETES DE BATERÍAS AGOTADAS:** Los cargadores también pueden detectar un paquete de baterías agotado. Estas baterías aún se pueden utilizar, pero no se espera que realicen mucho trabajo. El cargador indicará cuándo reemplazar el paquete de baterías.

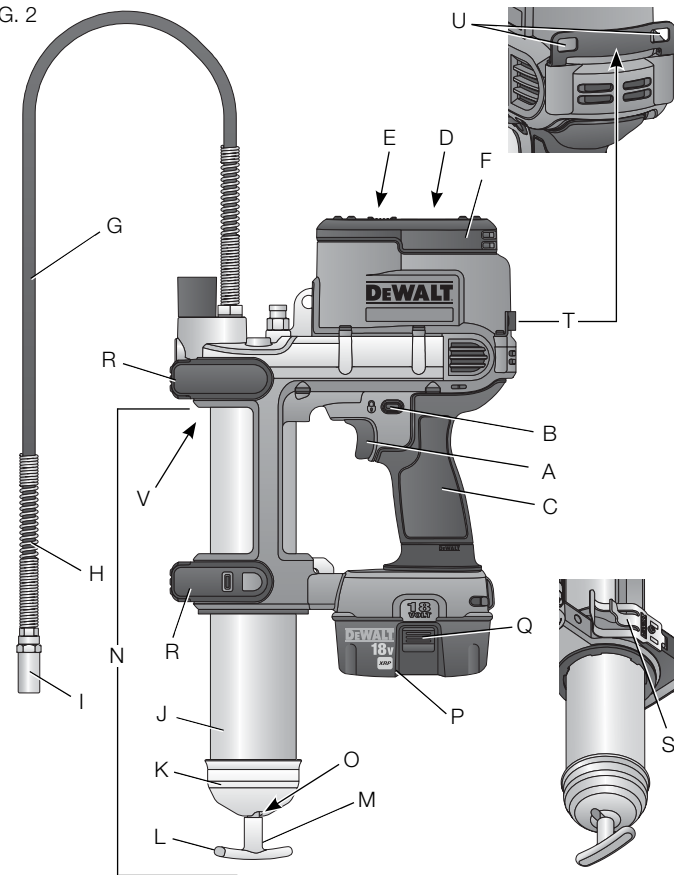
### **Notas importantes sobre la carga**

1. Se puede obtener una mayor duración y un mejor rendimiento si la unidad de batería se carga a una temperatura ambiente de 18–24 °C (65–75 °F). NO cargue la unidad de batería a una temperatura ambiental inferior a +4.5 °C (+40 °F) o superior a +40.5 °C (+105 °F). Esto es importante y evitará causar daños graves a la batería.
2. Puede que el cargador y la unidad de batería se calienten ligeramente durante el proceso de carga. Esto es normal y no

representa ningún problema. Para facilitar el enfriamiento de la unidad de batería después del uso, evite colocar el cargador o la unidad de batería en un lugar cálido, como un cobertizo metálico o un remolque sin aislamiento térmico.

3. Si la unidad de batería no se carga correctamente:
  - a. Verifique el funcionamiento de la toma enchufando una lámpara u otro aparato;
  - b. Revise que la toma de corriente no esté conectada a un interruptor de luz que corte la corriente cuando se corte la luz;
  - c. Mueva el cargador y la unidad de batería a un lugar donde la temperatura ambiental sea aproximadamente 18–24 °C (65–75 °F);
  - d. Si el problema de carga continúa, lleve la herramienta, unidad de batería y el cargador a su centro de servicio local.
4. La unidad de batería debería ser recargada cuando no sea capaz de producir suficiente potencia para trabajos que eran fácilmente realizados antes. **NO CONTINUE** usándola bajo estas circunstancias. Siga el procedimiento de carga. También puede cargar una unidad de batería que haya sido usada parcialmente cuando lo desee, sin dañarla.
5. En determinadas condiciones, estando el cargador enchufado en el tomacorriente, algunos materiales extraños pueden provocar un cortocircuito en los contactos de carga expuestos dentro del cargador. Los materiales ajenos conductores por naturaleza, tales como, pero sin limitarse a, el polvo del esmerilado, las virutas metálicas, la lana de acero, el papel de aluminio o cualquier acumulación de partículas metálicas deberían mantenerse alejados de las cavidades del cargador. Desenchufe siempre el cargador de la toma de corriente cuando no haya una unidad de batería en su cavidad. Desenchufe el cargador antes de intentar limpiarlo.

FIG. 2



6. No congele ni sumerja el cargador en agua o cualquier otro líquido.

**⚠ADVERTENCIA:** Peligro de descarga eléctrica. No permita que ningún líquido se introduzca en el cargador. Puede producir descargas eléctricas.

**⚠ADVERTENCIA:** Peligro de quemaduras. Nunca intente abrir la unidad de batería por ningún motivo. Si la caja plástica de la unidad de batería se triza o rompe, llévela a un centro de servicio para su reciclaje.

### **Recomendaciones de almacenamiento**

1. El mejor lugar de almacenamiento es uno que sea fresco y seco, lejos de la luz solar directa y del exceso de calor o frío.
2. Para resultados óptimos durante tiempos prolongados de almacenamiento, se recomienda almacenar la unidad de batería completamente cargada en un lugar fresco y seco fuera del cargador.

**NOTA:** Las unidades de batería no deberían almacenarse completamente descargadas. La unidad de batería deberá recargarse antes de ser usada.

### **GUARDE ESTAS INSTRUCCIONES PARA FUTURAS CONSULTAS**

### **COMPONENTES (Fig. 2, 5)**

**⚠ADVERTENCIA:** Nunca modifique la herramienta eléctrica, ni tampoco ninguna de sus piezas. Podría producir lesiones corporales o daños.

### **FIGURA 2**

- A. Interruptor de gatillo de velocidad variable
- B. Botón de bloqueo en apagado
- C. Mango
- D. Luz de trabajo LED
- E. Botón de la luz de trabajo LED
- F. Tapa superior
- G. Manguera flexible
- H. Protector de muelle de seguridad de la manguera flexible
- I. Acoplador de manguera flexible
- J. Tubo de grasa
- K. Tapón del tubo de grasa
- L. Mango del tubo de grasa
- M. Varilla del tubo de grasa
- N. Unidad del tubo de grasa
- O. Ranura de retención
- P. Batería
- Q. Botón de liberación de la batería
- R. Tacos de goma
- S. Gancho de manguera
- T. Soporte de la correa para el hombro
- U. Orificios de los ganchos de la correa para el hombro
- V. Filtro

### **FIGURA 5**

- W. Válvula de descarga de presión
- X. Válvula de purga
- Y. Válvula de retención
- Z. Orificio de llenado NPT de 1/8"
- AA. Tapón del orificio de llenado NPT de 1/8"

### **USO DEBIDO**

Esta pistola engrasadora está diseñada para dispensar lubricante profesionalmente.

**NO** debe usarse en condiciones húmedas ni en presencia de líquidos o gases inflamables volátiles.

Esta pistola engrasadora es una herramienta eléctrica profesional. **NO** permita que los niños toquen la herramienta. Si el operador no tiene experiencia utilizando esta herramienta, deberá ser supervisado.

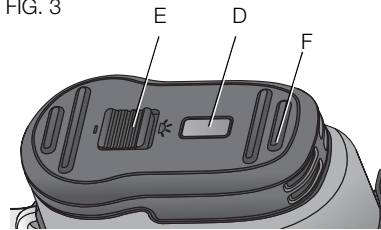
### **Luz de trabajo LED (Fig. 2, 3)**

Hay una luz de trabajo LED (D) ubicada en la tapa superior (F). La luz de trabajo se activa cuando se presiona el interruptor de gatillo y

cuando el botón de la luz de trabajo (E) está en posición de encendido (ON). Cuando el botón de la luz de trabajo LED está en posición de apagado (OFF), la luz de trabajo LED no se encenderá cuando se presione el gatillo. Si el interruptor de gatillo sigue presionado, la luz de trabajo permanecerá encendida.

**NOTA:** La luz de trabajo sirve para iluminar la superficie en la que está trabajando y no fue diseñada para usarse como linterna.

FIG. 3



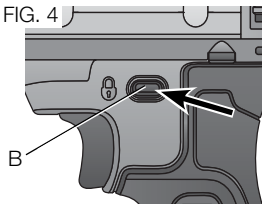
### Interruptor de gatillo de velocidad variable (Fig. 2, 4)

#### BOTÓN DE BLOQUEO EN APAGADO E INTERRUPTOR DE GATILLO

Su pistola engrasadora está equipada con un botón de bloqueo en apagado (B).

Para bloquear el interruptor de gatillo, presione el botón de bloqueo en apagado como se muestra en la Figura 4. Bloquee siempre el interruptor de gatillo (A) cuando transporte o guarde la herramienta para evitar la puesta en marcha accidental. El botón de bloqueo

FIG. 4



en apagado es de color rojo para indicar cuando el interruptor está en posición desbloqueada.

Para desbloquear el interruptor de gatillo, presione el botón de bloqueo en apagado como se muestra en la Figura 4. Apriete el interruptor de gatillo para encender el motor. Al soltar el interruptor de gatillo se apaga el motor.

**NOTA:** El interruptor de gatillo de velocidad variable le proporcionará mayor versatilidad. Cuanto más se presiona el gatillo mayor cantidad de grasa sale.

**⚠️ADVERTENCIA:** Esta herramienta no está prevista para bloquear el interruptor en la posición de encendido, y nunca debe bloquearse en la posición de encendido por ningún otro medio.

### Válvula de descarga de presión (Fig. 5)

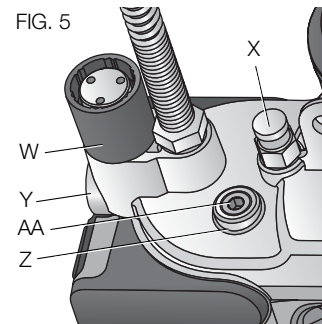
La válvula de descarga de presión (W) está configurada en la fábrica para descargar la presión superior a 9,000 psi (620 bares). Cuando sale grasa de la válvula de descarga de presión es una indicación de que hay una obstrucción en el conector, la línea o el cojinete. Cualquiera de estas condiciones debe corregirse antes de continuar.

**⚠️ADVERTENCIA:** La pistola engrasadora puede generar alta presión. No saque ni manipule la válvula de descarga de presión. Pueden producirse lesiones graves.

### Correa para el hombro (Fig. 2)

Su pistola engrasadora viene con una correa para el hombro. Enganche los ganchos de dicha correa en los orificios de los ganchos de la correa para el

FIG. 5



hombro (U) que se encuentran en el soporte de la correa para el hombro (T).

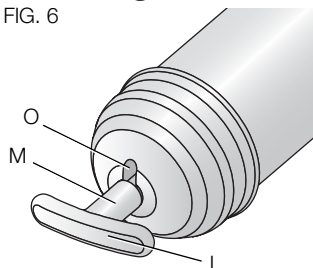
## MONTAJE Y AJUSTES

**⚠ ADVERTENCIA:** Para disminuir el riesgo de lesiones corporales graves, apague la herramienta, apriete el botón de bloqueo en apagado hacia la posición de APAGADO y saque la batería antes de realizar cualquier ajuste o de sacar o instalar accesorios. La puesta en marcha accidental puede causar lesiones.

### Instalación de un cartucho de grasa (Fig. 2, 6)

1. Tire del mango del tubo de grasa (L) hacia afuera lo máximo posible, luego asegure la varilla del tubo de grasa (M) en la ranura de retención (O) moviendo la varilla hacia el lado. Asegúrese de que la varilla esté colocada fijamente en la ranura para evitar que se salga.
2. Desenrosque la unidad del tubo de grasa (N) de la pistola engrasadora.
3. Saque la tapa de plástico del cartucho de grasa, introduzca el cartucho, el extremo abierto primero, en el tubo de grasa (J).
4. Saque el sello del otro extremo del cartucho de grasa.
5. Vuelva a enroscar la unidad del tubo de grasa (N) en la pistola engrasadora y apriétela bien.
6. Libere la varilla del tubo de grasa (M) de la ranura de retención (O) y vuelva a presionarla en el tubo lentamente.
7. Use la válvula de purga (X, Fig. 5) para liberar el aire que haya podido quedarse atrapado en el cartucho. Consulte la sección **Purga de las burbujas de aire.**

FIG. 6



**IMPORTANTE:** La pistola engrasadora no funcionará de forma óptima si hay burbujas de aire en el lubricante.

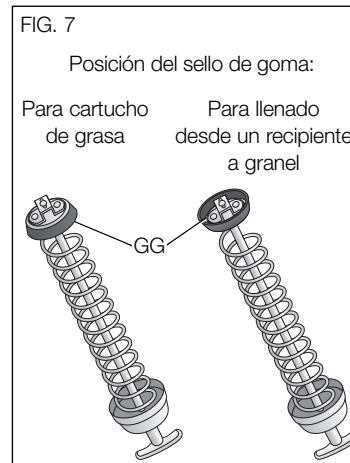
### Extracción del cartucho de grasa vacío (Fig. 2)

1. Tire del mango del tubo de grasa (L) hacia afuera lo máximo posible, luego fije la varilla del tubo de grasa (M) en la ranura de retención (O) moviendo la varilla hacia el lado. Asegúrese de que la varilla esté colocada fijamente en la ranura para evitar que se salga.
2. Desenrosque la unidad del tubo de grasa (N) de la pistola engrasadora y sáquela.
3. Suelte con suavidad el mango del tubo de grasa (L) para expulsar el cartucho vacío del tubo de grasa.

### Llenado de la pistola engrasadora de un recipiente a granel (Fig. 2, 5-9)

#### PREPARACIÓN DE LA PISTOLA ENGRASADORA PARA LA SUCCIÓN Y LLENADO MEDIANTE BOMBA DE LLENADO (FIG. 1, 7)

**NOTA:** Asegúrese de que la pistola engrasadora esté vacía antes de empezar este proceso.



1. Desenrosque el tubo de grasa (J) de la unidad de la pistola engrasadora (N).
2. Desenrosque el tapón del tubo de grasa (K) del tubo de grasa (J) y saque la varilla del tubo de grasa (M).
3. Utilizando el pulgar y el índice, dé la vuelta al sello de goma (GG) desde la parte de atrás hasta la de delante. Consulte la Figura 7.

**NOTA:** El sello se parece a una taza, que debe abrirse hacia el tapón superior (F, Fig. 2) cuando está preparado para la succión y para el llenado mediante bomba de llenado.

4. Vuelva a introducir la varilla del tubo de grasa (M) en el tubo de grasa (J).

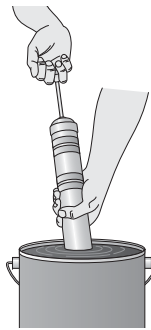
#### LLENADO POR SUCCIÓN DE UN RECIPIENTE A GRANEL (FIG. 2, 5, 6, 8)

1. Ponga el extremo abierto de la unidad del tubo de grasa en el lubricante a granel.
2. Tire hacia atrás lentamente del mango del tubo de grasa (L) para succionar el lubricante en la pistola engrasadora.

**NOTA:** Asegúrese de mantener el extremo abierto de la unidad del tubo de grasa suficientemente dentro del lubricante para evitar que se formen burbujas de aire en el tubo de grasa.

3. Cuando la varilla del tubo de grasa (M) esté totalmente extendida, fíjela a la ranura de retención (O)
4. Extraiga la unidad del tubo de grasa del lubricante a granel y limpie el exceso de grasa.
5. Vuelva a enroscar la unidad del tubo de grasa (N) en la pistola engrasadora.
6. Libere la varilla del tubo de grasa (M) de la ranura de retención (O) y vuelva a presionarla en el tubo lentamente.

FIG. 8



7. Use la válvula de purga (X, Fig. 5) para liberar el aire que haya podido quedarse atrapado en el cartucho. Consulte la sección **Purga de las burbujas de aire.**

#### LLENADO DE LA BOMBA DE LLENADO DESDE UN RECIPIENTE A GRANEL (FIG. 5, 6, 9)

Esta herramienta viene con un orificio de llenado NPT de 1/8" (Z, Fig. 5) para fijar en la unidad un acoplador de llenado de baja presión.

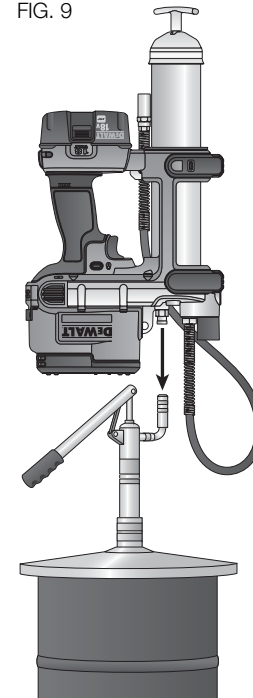
**⚠ADVERTENCIA:** No enrosque nunca un acoplador de alta presión en el orificio de llenado NPT de 1/8" de la pistola engrasadora. Pueden producirse lesiones graves debido a una presión excesiva. Utilice solamente acopladores de baja presión.

**⚠ATENCIÓN:** El cargador de la bomba de llenado debe conectar correctamente con el orificio NPT de 1/8" de la pistola engrasadora. La bomba de llenado quizás no funcione si los componentes no son compatibles.

#### Instalación del acoplador de baja presión (no suministrado con la herramienta)

1. Vuelva a enroscar la unidad del tubo de grasa (N) en la pistola engrasadora y apriétela bien.
2. Tire del mango del tubo de grasa (L) hacia afuera lo máximo posible, luego asegure la varilla del tubo de grasa (M) en la ranura de retención (O) moviendo

FIG. 9





la varilla hacia el lado. Asegúrese de que la varilla esté colocada fijamente en la ranura para evitar que se salga.

3. Extraiga el tapón del orificio de llenado NPT de 1/8" (AA) del orificio de llenado.
4. Enrosque el acoplador de baja presión adecuado en el orificio de llenado NPT de 1/8" (Z).
5. Libere la varilla del tubo de grasa (M) de la ranura de retención (O) y vuelva a presionarla en el tubo lentamente.
6. Use la válvula de purga (X) para liberar el aire que haya podido quedarse atrapado en el cartucho. Consulte la sección **Purga de burbujas de aire**.

#### **LLENADO DE LA HERRAMIENTA CON LA BOMBA DE LLENADO DE BAJA PRESIÓN (FIG. 2, 9)**

1. Tire hacia atrás del mango del tubo de grasa lentamente y gire la varilla hasta que esté fija en su sitio.  
**NOTA:** No bloquee la varilla en la ranura de retención (O).
2. Conecte el adaptador de baja presión de la pistola engrasadora al adaptador de baja presión adecuado de la bomba de llenado. Estos adaptadores NO se bloquean. Esto evita que el cartucho de la pistola engrasadora se llene demasiado.
3. Llène hasta que la varilla se empuje hacia afuera del tubo de grasa aproximadamente 20 cm (8"). No llene demasiado. Si la varilla no se mueve durante el proceso de llenado, pare. Esto indica que la varilla no está conectada al émbolo y debe repetirse el primer paso antes de continuar.
4. Gire la varilla para liberarla y vuelva a empujarla con cuidado en el tubo de grasa.
5. Use la válvula de purga (X) para liberar el aire que haya podido quedarse atrapado en el cartucho. Consulte la sección **Purga de burbujas de aire**.

#### **Purga de burbujas de aire (Fig. 2, 5)**

**IMPORTANTE:** Las burbujas de aire en la lata de grasa pueden impedir que la pistola funcione de forma óptima. Elimine las burbujas de aire después de cada llenado o si la pistola engrasadora no bombea grasa:

1. Desenrosque la válvula de purga (X) sin sacarla, hasta que haya escapado todo el aire.
2. Apriete la válvula de purga (X).
3. Quítele el tapón a la manguera flexible (G) luego presione el interruptor de gatillo de velocidad variable (A) durante 10 a 20 segundos.
4. Si la grasa deja de fluir a través de la manguera, repita el primer paso.

**NOTA:** Esta herramienta ha sido puesta a prueba en la fábrica y quizás se haya quedado una pequeña cantidad de grasa en el tubo de grasa y la unidad de la manguera. Se recomienda purgar la herramienta con la marca de grasa que vaya a utilizarse antes del primer uso.

#### **OPERACIÓN**

**⚠ ADVERTENCIA:** Para reducir el riesgo de lesiones personales graves, apague la herramienta y retire el paquete de baterías antes de realizar ajustes o de retirar/instalar dispositivos o accesorios. Un arranque accidental podría causar lesiones.

#### **Cómo instalar y retirar la unidad de batería (Fig. 10)**

**NOTA:** Para mejores resultados, verifique que su unidad de batería esté completamente cargada.

Para instalar la batería (P) en el mango de la herramienta, alinee la muesca dentro del mango de la herramienta con la batería y deslice la batería firmemente en el mango hasta que esté bien insertada en la herramienta, asegurándose de que no se salga.

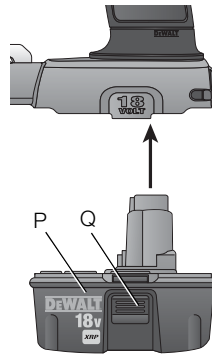
Para sacar la batería de la herramienta, apriete los botones de liberación (Q) y saque la batería del mango de la herramienta tirando de ella firmemente hacia afuera.

### Utilización de la pistola engrasadora (Fig. 2)

**⚠ADVERTENCIA:** Para reducir el riesgo de lesión corporal grave, agarre siempre bien el mango (C) al utilizar la pistola engrasadora o al colocar la manguera en los adaptadores.

Para poner en funcionamiento la pistola engrasadora, sujétela por el asa (C), o colóquela en vertical sobre una superficie estable en sus tacos de gomas (R) agarrando bien el asa. Sujetando la manguera por el protector de muelle de seguridad (H) de la misma, conecte el acoplador para grasa de la manguera flexible (I) u otro acoplador para grasa adecuado, en el conector para engrasar que vaya a llenarse. Presione con cuidado el interruptor de gatillo de velocidad variable para empezar el proceso de llenado. Una vez que se haya dispensado la cantidad correcta de grasa, suelte el gatillo y saque el acoplador del conector para engrasar. Si el acoplador no se suelta, quizás todavía haya presión residual en la línea. Mover el acoplador de un lado a otro puede aliviar la presión residual de manera que pueda sacarse del acoplamiento. Si el acoplador tiene fugas excesivas o no se mantiene sujeto al conector para engrasar, debería cambiarse.

FIG. 10



### INFORMACIÓN TÉCNICA

Tipo de grasa	Hasta NLGI2
Voltaje	18 V
Presión	9 000 psi (620 bares)
Volumen/caudal	147.87 ml/min (5 fl. oz./min)
Capacidad de grasa	453 g a granel (16 oz) 411 g cartucho (14,5 oz)
Peso de la herramienta sin la batería	3,63 kg (8 libras)
Longitud de la manguera	107 cm (42")

### MANTENIMIENTO

**⚠ADVERTENCIA:** Para reducir el riesgo de lesiones personales graves, apague la herramienta y retire el paquete de baterías antes de realizar ajustes o de retirar/instalar dispositivos o accesorios. Un arranque accidental podría causar lesiones.

### Limpieza

**⚠ADVERTENCIA:** Sopla la suciedad y el polvo de todos los conductos de ventilación con aire seco, al menos una vez por semana. Para reducir el riesgo de lesiones, utilice siempre protección para los ojos aprobada ANSI Z87.1 al realizar esta tarea.

**⚠ADVERTENCIA:** Nunca utilice solventes ni otros químicos abrasivos para limpiar las piezas no metálicas de la herramienta. Estos productos químicos pueden debilitar los materiales plásticos utilizados en estas piezas. Utilice un paño humedecido sólo con agua y jabón neutro. Nunca permita que penetre líquido dentro de la herramienta ni sumerja ninguna de las piezas en un líquido.

### INSTRUCCIONES DE LIMPIEZA DE LA BATERÍA

Para limpiar la suciedad y grasa del exterior de la batería puede usarse un paño o cepillo suave no metálico. No use agua ni cualquier otra solución de limpieza.

**⚠ADVERTENCIA:** No use nunca disolventes ni otros productos químicos fuertes para limpiar la batería. Estos productos químicos pueden debilitar las piezas de plástico.

### INSTRUCCIONES DE LIMPIEZA DEL CARGADOR

**⚠ADVERTENCIA:** Riesgo de descarga eléctrica. Desconecte el cargador del tomacorriente de CA antes de limpiarlo. Se puede usar un paño o un cepillo suave, que no sea metálico, para quitar la suciedad y la grasa de la parte externa del cargador. No use agua ni cualquier otra solución de limpieza.

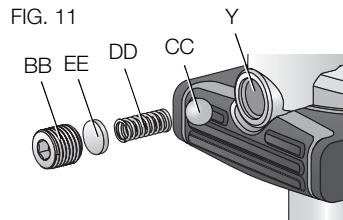
**⚠ADVERTENCIA:** No use nunca disolventes ni otros productos químicos fuertes para limpiar el cargador. Estos productos químicos pueden debilitar las piezas de plástico.

### LIMPIEZA DE CONTAMINANTES DE LA PISTOLA ENGRASADORA

#### Limpieza de la contaminación de la válvula de retención (Fig. 11)

En caso de que la pistola engrasadora no dispense grasa, debe limpiarse la válvula de retención (Y).

1. Extraiga el tapón de la válvula de retención (BB), luego el disco (EE), el muelle (DD) y la bola de la válvula de retención (CC).
2. Limpie la bola (CC) y la parte de la válvula de retención en el cuerpo principal.



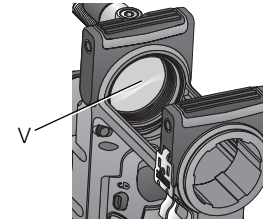
3. Vuelva a instalar la bola (CC), el muelle (DD), y luego el disco (EE).
4. Una vez que se haya limpiado toda la grasa, vuelva a instalar el tapón de la válvula de retención (BB).

#### Limpieza de la contaminación del filtro (Fig. 2, 12)

Si la pistola engrasadora no dispensa grasa, limpie el filtro (V).

FIG. 12

**NOTA:** Si queda grasa en el tubo, abra la válvula de purga antes de tirar del mango del tubo.



1. Tire del mango del tubo de grasa (L) hacia afuera lo máximo posible, luego asegure la varilla del tubo de grasa (M) en la ranura de retención (O) moviendo la varilla hacia el lado. Asegúrese de que la varilla esté colocada fijamente en la ranura para evitar que se salga.
2. Desenrosque la unidad del tubo de grasa (N) de la pistola engrasadora y sáquela.
3. Utilizando un pequeño destornillador de hoja plana o una piocha, saque con cuidado el filtro.
4. Limpie el filtro utilizando un paño suave. Si el filtro sigue teniendo residuos después de limpiarlo, puede usarse un cepillo suave o un hisopo de algodón.
5. Una vez limpio, vuelva a poner el filtro en la ranura redonda, asegurándose de que esté bien asentado, y vuelva a fijar la unidad del tubo de grasa a la pistola engrasadora.

### Accesorios

**⚠ADVERTENCIA:** Debido a que no se han probado con este producto otros accesorios que no sean los que ofrece DEWALT., el uso de dichos accesorios con esta herramienta podría ser peligroso.

Para reducir el riesgo de lesiones, con este producto deben usarse sólo los accesorios recomendados por DEWALT.

**⚠️ ADVERTENCIA:** Las presiones extremas pueden hacer que la boquilla se extienda o que la manguera flexible reviente. Utilice solamente mangueras aprobadas por DEWALT y siga las instrucciones y advertencias de la manguera flexible.

Los accesorios que se recomiendan para utilizar con la herramienta están disponibles a un costo adicional en su distribuidor local o en un centro de mantenimiento autorizado. Si necesita ayuda para localizar algún accesorio, póngase en contacto con DEWALT Industrial Tool Co., 701 East Joppa Road, Baltimore, MD 21286, llame al 1-800-4-DEWALT (1-800-433-9258) o visite nuestro sitio web: [www.dewalt.com](http://www.dewalt.com).

#### ACCESORIOS

DCGG5701	NPT de 1/8" acoplador de la pistola engrasadora
DCGG5701-3	NPT de 1/8" acoplador de la pistola engrasadora envase de 3
DCGG5702	Acoplador de ángulo derecho para pistola engrasadora
DCGG5703-42	NPT de 1/8" unidad de la manguera de la pistola engrasadora (42") (107 mm)
DCGG5703-24	NPT de 1/8" unidad de la manguera de la pistola engrasadora (24") (61 mm)
DCGG5704	Tubo de cartucho transparente de pistola engrasadora

#### Reparaciones

El cargador y las unidades de batería no pueden ser reparados. Para asegurar la SEGURIDAD y la CONFIABILIDAD del producto, las reparaciones, el mantenimiento y los ajustes deben (inclusive inspección y cambio de carbones) ser realizados en un centro de mantenimiento en la fábrica DEWALT, en un centro de mantenimiento

autorizado DEWALT u por otro personal de mantenimiento calificado. Utilice siempre piezas de repuesto idénticas.

#### PARA REPARACIÓN Y SERVICIO DE SUS HERRAMIENTAS ELÉCTRICAS, FAVOR DE DIRIGIRSE AL CENTRO DE SERVICIO MÁS CERCANO

##### CULIACAN, SIN

Blvd. Emiliano Zapata 5400-1 Poniente  
Col. San Rafael (667) 717 89 99

##### GUADALAJARA, JAL

Av. La Paz #1779 - Col. Americana Sector Juárez (33) 3825 6978

##### MEXICO, D.F.

Eje Central Lázaro Cárdenas No. 18  
Local D, Col. Obrera (55) 5588 9377

##### MERIDA, YUC

Calle 63 #459-A - Col. Centro (999) 928 5038

##### MONTERREY, N.L.

Av. Francisco I. Madero 831 Poniente - Col. Centro (818) 375 23 13

##### PUEBLA, PUE

17 Norte #205 - Col. Centro (222) 246 3714

##### QUERETARO, QRO

Av. San Roque 274 - Col. San Gregorio (442) 2 17 63 14

##### SAN LUIS POTOSI, SLP

Av. Universidad 1525 - Col. San Luis (444) 814 2383

##### TORREON, COAH

Blvd. Independencia, 96 Pte. - Col. Centro (871) 716 5265

##### VERACRUZ, VER

Prolongación Díaz Mirón #4280 - Col. Remes (229) 921 7016

##### VILLAHERMOSA, TAB

Constitución 516-A - Col. Centro (993) 312 5111

**PARA OTRAS LOCALIDADES:**

**Si se encuentra en México, por favor llame al (55) 5326 7100**

**Si se encuentra en U.S., por favor llame al**

**1-800-433-9258 (1-800 4-DEWALT)**

***Póliza de Garantía***

IDENTIFICACIÓN DEL PRODUCTO:

Sello o firma del Distribuidor.

Nombre del producto: \_\_\_\_\_ Mod./Cat.: \_\_\_\_\_

Marca: \_\_\_\_\_ Núm. de serie: \_\_\_\_\_

(Datos para ser llenados por el distribuidor)

Fecha de compra y/o entrega del producto: \_\_\_\_\_

Nombre y domicilio del distribuidor donde se adquirió el producto: \_\_\_\_\_

Este producto está garantizado por un año a partir de la fecha de entrega, contra cualquier defecto en su funcionamiento, así como en materiales y mano de obra empleados para su fabricación. Nuestra garantía incluye la reparación o reposición del producto y/o componentes sin cargo alguno para el cliente, incluyendo mano de obra, así como los gastos de transportación razonablemente erogados derivados del cumplimiento de este certificado.

Para hacer efectiva esta garantía deberá presentar su herramienta y esta póliza sellada por el establecimiento comercial donde se adquirió el producto, de no contar con ésta, bastará la factura de compra.

**EXCEPCIONES**

Esta garantía no será válida en los siguientes casos:

- Cuando el producto se hubiese utilizado en condiciones distintas a las normales;
- Cuando el producto no hubiese sido operado de acuerdo con el instructivo de uso que se acompaña;
- Cuando el producto hubiese sido alterado o reparado por personas distintas a las enlistadas al final de este certificado.

Anexo encontrará una relación de sucursales de servicio de fábrica, centros de servicio autorizados y franquiciados en la República Mexicana, donde podrá hacer efectiva su garantía y adquirir partes, refacciones y accesorios originales.

***Registro en línea***

Gracias por su compra. Registre su producto ahora para:

- **SERVICIO EN GARANTÍA:** Si completa esta tarjeta, podrá obtener un servicio en garantía más eficiente, en caso de que exista un problema con su producto.
- **CONFIRMATCIÓN DE PROPIEDAD:** En caso de una pérdida que cubra el seguro, como un incendio, una inundación o un robo, el registro de propiedad servirá como comprobante de compra.
- **PARA SU SEGURIDAD:** Si registra el producto, podremos comunicarnos con usted en el caso improbable que se deba enviar una notificación de seguridad conforme a la Federal Consumer Safety Act (Ley Federal de Seguridad de Productos para el Consumidor).

Registro en línea en [www.dewalt.com/register](http://www.dewalt.com/register).

***Garantía limitada por tres años***

DEWALT reparará, sin cargo, cualquier falla que surja de defectos en el material o la fabricación del producto, por hasta tres años a contar de la fecha de compra. Esta garantía no cubre fallas de las piezas causadas por su desgaste normal o abuso a la herramienta. Para mayores detalles sobre la cobertura de la garantía e información acerca de reparaciones realizadas bajo garantía, visítenos en [www.dewalt.com](http://www.dewalt.com) o dirígase al centro de servicio más cercano. Esta garantía no aplica a accesorios o a daños causados por reparaciones realizadas o intentadas por terceros. Esta garantía le otorga derechos legales específicos, además de los cuales puede tener otros dependiendo del estado o la provincia en que se encuentre.

**Español**

Además de la garantía, las herramientas DEWALT están cubiertas por:

### 1 AÑO DE SERVICIO GRATUITO

DEWALT mantendrá la herramienta y reemplazará las piezas gastadas por su uso normal, sin cobro, en cualquier momento durante un año a contar de la fecha de compra. Los artículos gastados por la clavadora, tales como la unidad de hoja y retorno del impulsador, no están cubiertas.

### 2 AÑOS DE SERVICIO GRATUITO PARA UNIDADES DE ALIMENTACIÓN DEWALT

DC9071, DC9091, DC9096, DC9280, DC9360, DC9180, DCB120, DCB201 y DCB203

### 3 AÑOS DE SERVICIO GRATUITO PARA UNIDADES DE ALIMENTACIÓN DEWALT

DCB200, DCB204

### UNIDADES DE BATERÍA DEWALT

La garantía del producto quedará nula si la unidad de batería ha sido alterada de cualquier manera. DEWALT no es responsable de ninguna lesión causada por alteraciones y podría iniciar un procedimiento judicial por fraude de garantía hasta el máximo grado permisible por la ley.

### GARANTÍA DE REEMBOLSO DE SU DINERO POR 90 DÍAS

Si no está completamente satisfecho con el desempeño de su máquina herramienta, láser o clavadora DEWALT, cualquiera sea el motivo, podrá devolverlo hasta 90 días de la fecha de compra con su recibo y obtener el reembolso completo de su dinero – sin necesidad de responder a ninguna pregunta.

**AMÉRICA LATINA:** Esta garantía no se aplica a los productos que se venden en América Latina. Para los productos que se venden en América Latina, debe consultar la información de la garantía específica del país que viene en el empaque, llamar a la compañía local o visitar el sitio Web a fin de obtener esa información.

**REEMPLAZO GRATUITO DE LAS ETIQUETAS DE ADVERTENCIAS:** Si sus etiquetas de advertencia se vuelven ilegibles o faltan, llame al 1-800-433-9258 (1-800-4-DEWALT) para que se le reemplacen gratuitamente.

#### DCGG570 CORDLESS GREASE GUN

**WARNING** TO REDUCE THE RISK OF SER. INJURY, USER MUST READ INSTRUCTION MANUAL. ALWAYS USE PROPER EYE AND RESPIRATORY PROTECTION. USE DEWALT BATTERIES.

**ADVERTENCIA:** PARA EL MANEJO SEGURO LEA EL MANUAL DE INSTRUCCIONES. SIEMPRE SE DEBERÁ LEVAR LA PROTECCIÓN APROPIADA PARA LA VISTA Y PARA LAS VÍAS RESPIRATORIAS. UTILICE LAS BATERÍAS DEWALT. **AVERTISSEMENT:** À TITRE PRÉVENTIF, LIRE LE GUIDE, IL FAUT TOUJOURS PORTER DE L'ÉQUIPEMENT DE PROTECTION OCULAIRE ET RESPIRATOIRE APPROPRIÉ. UTILISER SEULEMENT AVEC DES PILES DEWALT.

DEWALT INDUSTRIAL TOOL CO., BALTIMORE, MD 21286 USA  
FOR SERVICE INFORMATION, CALL 1-800-4-DEWALT www.DEWALT.com

**WARNING** HIGH PRESSURE – UP TO 9,000 PSI (620 BAR) AT THE HOSE AND PUMP HOUSING. RISK OF INJECTION, CAUSING SERIOUS INJURY OR INFECTION. ALWAYS WEAR GLOVES DURING OPERATION. DO NOT TREAT AS A SIMPLE CUT. SEEK IMMEDIATE MEDICAL ATTENTION. READ INSTRUCTION MANUAL FOR ADDITIONAL SAFETY INFORMATION.

**ADVERTENCIA** ALTA PRESIÓN – HASTA 9,000 PSI (620 BARES) EN LA MANGUERA Y LA CARCASA DE LA BOMBA, RIESGO DE INYECCIÓN, QUE PUEDE CAUSAR LESIÓN GRAVE O INFECCIÓN. PONGASE SIEMPRE GUANTES DURANTE LA OPERACIÓN, NO LO TRATE COMO UN SIMPLE CORTE. BUSQUE ATENCIÓN MÉDICA INMEDIATA. LEA EL MANUAL DE INSTRUCCIONES PARA OBTENER INFORMACIÓN ADICIONAL SOBRE SEGURIDAD.

**AVERTISSEMENT** HAUTE PRESSION – JUSQU'À 9 000 BARS (620 PSI) AU NIVEAU DU TUYAU ET BOÎTIER DE POMPE, RISQUES D'INJECTIONS CUTANÉES POUVANT CAUSER DES DOMMAGES CORPORELS GRAVES OU DES INFECTIONS, PORTER SYSTEMATIQUÉMENT DES GANTS PENDANT L'UTILISATION, NE PAS TRAITER CETTE ÉVENTUALITÉ COMME UNE SIMPLE COUPURE, CONSULTER IMMÉDIATEMENT UN MÉDECIN, LIRE LE MANUEL DE L'UTILISATEUR POUR PLUS D'INFORMATION SUR LES MESURES DE SÉCURITÉ.

### ESPECIFICACIONES

DCGG570 18 V 9 000 psi (620 bares)

SOLAMENTE PARA PROPÓSITO DE MÉXICO:  
IMPORTADO POR: DEWALT INDUSTRIAL TOOL CO. S.A. DE C.V.  
AVENIDA ANTONIO DOVALI JAIME, # 70 TORRE B PISO 9  
COLONIA LA FE, SANTA FÉ  
CÓDIGO POSTAL : 01210  
DELEGACIÓN ALVARO OBREGÓN  
MÉXICO D.F.  
TEL. (52) 555-326-7100  
R.F.C.: BDE810626-1W7

Para servicio y ventas consulte  
"HERRAMIENTAS ELECTRICAS"  
en la sección amarilla.



## RESOLUCIÓN DE PROBLEMAS

Problema	Causa posible	Solución posible
No se puede tirar hacia atrás de la varilla	Acumulación de vacío	Desenrosque la válvula de purga para liberar el vacío.
No se puede empujar la varilla hacia adelante	Acumulación de presión	Desenrosque la válvula de purga para liberar el presión.
	La varilla sigue conectada al émbolo	Gire el mango del tubo de grasa 90 grados para liberarlo.
No sale grasa cuando se tira del gatillo	El tubo de grasa está vacío	Agregue grasa.
	Burbujas de aire en el tubo de grasa	Consulte la sección <b>Purga de burbujas de aire.</b>
	La válvula de retención está obstruida	Consulte la sección <b>Limpieza de la contaminación de la válvula de retención.</b>
	El filtro está obstruido	Consulte la sección <b>Limpieza de la contaminación del filtro.</b>
Aparece grasa en la válvula de descarga de presión	El conector Zerk está bloqueado	Desconecte el acoplador del conector, limpie el conector Zerk y la vía de la grasa.
El motor no funciona cuando se aprieta el gatillo	Batería	Compruebe que la batería esté totalmente cargada.
La grasa se sale por detrás del tubo de grasa	El sello de goma está volteado en el sentido equivocado	Consulte la sección <b>Preparación de la pistola engrasadora para la succión y llenado mediante bomba de llenado.</b>

DeWALT Battery and Charger Systems																											
Chargers/Charge Time (Minutes) – Chargeurs/Durée de charge (Minutes) – Cargadores de baterías/Tiempo de carga (Minutos)																											
Battery Cat #	Output Voltage	120 Volts																		12 Volts							
		DC011	DC022	DC9000	DC8310	DC9320	DCB095	DCB100	DCB101	DCB102	DCB103	DCB106	DCB107	DW911	DW9106	DW9107	DW9108	DW9116	DW9117	DW9118	DW9216	DW9226	DW0246	DCB119	DW0249	DW9109	DC9319
DC9360	36	X	X	45	X	X	X	X	X	X	X	X	X	X	X	X	X	X	X	X	X	X	X	X	X	X	X
DCB361	36	X	X	45	X	X	X	X	X	X	X	X	X	X	X	X	X	X	X	X	X	X	X	X	X	X	X
DC9280	28	X	X	60	X	X	X	X	X	X	X	X	X	X	X	X	X	X	X	X	X	X	X	X	X	X	X
DW0242	24	X	X	X	X	X	X	X	X	X	X	X	X	X	X	X	X	X	X	X	X	X	60	X	60	X	X
DCB200	20	X	X	X	X	X	X	X	60	60	60	140	140	X	X	X	X	X	X	X	X	X	X	90	X	X	X
DCB201	20	X	X	X	X	X	X	X	30	30	30	70	70	X	X	X	X	X	X	X	X	X	X	45	X	X	X
DCB203	20	X	X	X	X	X	X	X	35	35	35	90	90	X	X	X	X	X	X	X	X	X	60	X	X	X	X
DCB204	20	X	X	X	X	X	X	X	70	70	70	185	185	X	X	X	X	X	X	X	X	X	120	X	X	X	X
DCB207	20	X	X	X	X	X	X	X	30	30	30	60	60	X	X	X	X	X	X	X	X	X	X	X	X	X	X
DC9096	18	60	60	X	60	60	X	X	X	X	60	X	X	60	X	X	60	60	20	X	60	130	X	X	X	60	60
DC9099	18	45	45	X	45	45	X	X	X	45	X	X	45	X	X	45	45	15	X	45	95	X	X	X	45	45	
DC9180	18	X	X	X	60	60	X	X	X	60	X	X	X	X	X	X	X	X	X	X	X	X	X	X	X	X	60
DC9181	18	X	X	X	30	30	X	X	X	30	X	X	X	X	X	X	X	X	X	X	X	X	X	X	X	X	30
DW9096	18	60	60	X	60	60	X	X	X	60	X	X	60	X	X	60	20	X	60	130	X	X	X	X	X	60	60
DW9098	18	30	30	X	30	30	X	X	X	30	X	X	30	X	X	30	12	X	30	60	X	X	X	X	X	30	30
DW9099	18	45	45	X	45	45	X	X	X	45	X	X	45	X	X	45	45	15	X	45	95	X	X	X	X	45	45
DC9091	14.4	60	60	X	60	60	X	X	X	60	X	X	60	90	60	60	60	20	115	60	115	X	X	X	X	60	60
DC9094	14.4	45	45	X	45	45	X	X	X	45	X	X	45	60	45	45	45	15	90	45	90	X	X	X	X	45	45
DW9091	14.4	45	45	X	45	45	X	X	X	45	X	X	45	60	45	45	45	15	90	45	90	X	X	X	X	45	45
DW9094	14.4	30	30	X	30	30	X	X	X	30	X	X	30	45	30	30	30	12	60	30	60	X	X	X	X	30	30
DCB120	12	X	X	X	X	X	X	40	30	30	30	X	60	X	X	X	X	X	X	X	X	X	45	X	X	X	X
DCB127	12	X	X	X	X	X	X	35	35	35	X	90	X	X	X	X	X	X	X	X	X	X	60	X	X	X	X
DC9071	12	60	60	X	60	60	X	X	X	60	X	X	60	90	60	60	60	20	115	60	115	X	X	X	X	60	60
DW9050	12	X	X	X	X	X	X	X	X	X	X	X	40	X	X	X	X	X	X	X	X	X	X	X	X	X	X
DW9071	12	45	45	X	45	45	X	X	X	45	X	X	45	60	45	45	45	15	90	45	90	X	X	X	X	45	45
DW9072	12	30	30	X	30	30	X	X	X	30	X	X	30	45	30	30	30	12	60	30	60	X	X	X	X	30	30
DW9048	9.6	X	X	X	X	X	X	X	X	X	X	X	40	X	X	X	X	X	X	X	X	X	X	X	X	X	X
DW9061	9.6	45	45	X	45	45	X	X	X	45	X	X	45	60	45	45	45	15	90	45	90	X	X	X	X	45	45
DW9062	9.6	30	30	X	30	30	X	X	X	30	X	X	30	45	30	30	30	12	60	30	60	X	X	X	X	30	30
DCB080	8	X	X	X	X	X	60	X	X	X	X	X	X	X	X	X	X	X	X	X	X	X	X	X	X	X	X
DW9057	7.2	30	30	X	30	30	X	X	X	30	X	X	30	45	30	30	30	12	60	30	60	X	X	X	X	30	30

**"X" Indicates that the battery pack is not compatible with that specific charger.**  
 \*X" indique que le bloc-piles n'est pas compatible avec ce chargeur.  
 Una "X" indica que el paquete de baterías no es compatible con ese determinado cargador.  
**All charge times are approximate. Actual charge time may vary. Read the instruction manual for more specific information.**  
 Les durées de charge sont approximatives; la durée de charge réelle peut varier. Lire le manuel d'utilisation pour obtenir des renseignements plus précis.  
 El tiempo de duración de carga es aproximado; la duración de carga real puede variar. Lea el manual de instrucciones para obtener información más precisa.

DeWALT Industrial Tool Co., 701 East Joppa Road, Baltimore, MD 21286  
 (DEC13) Part No. N330280 DCGG570 Copyright © 2013 DeWALT

The following are trademarks for one or more DeWALT power tools: the yellow and black color scheme; the "D" shaped air intake grill; the array of pyramids on the handgrip; the kit box configuration; and the array of lozenge-shaped humps on the surface of the tool.