

DEWALT®



**Instruction Manual
Guide D'utilisation
Manual de instrucciones**

DCG418

60V Max* Cordless Grinder with Kickback Brake™

Meuleuse sans fil avec Kickback Brake^{MC}, 60 V max

Esmeriladora inalámbrica de 60 V Máx* con Kickback Brake™

www.DEWALT.com

**If you have questions or comments, contact us.
Pour toute question ou tout commentaire, nous contacter.
Si tiene dudas o comentarios, contáctenos.**

1-800-4-DEWALT

ENGLISH

English (***original instructions***) 1

Français (*traduction de la notice d'instructions originale*) 18

Español (*traducido de las instrucciones originales*) 37

Definitions: Safety Alert Symbols and Words

This instruction manual uses the following safety alert symbols and words to alert you to hazardous situations and your risk of personal injury or property damage.



DANGER: Indicates an imminently hazardous situation which, if not avoided, **will** result in **death or serious injury**.



WARNING: Indicates a potentially hazardous situation which, if not avoided, **could** result in **death or serious injury**.



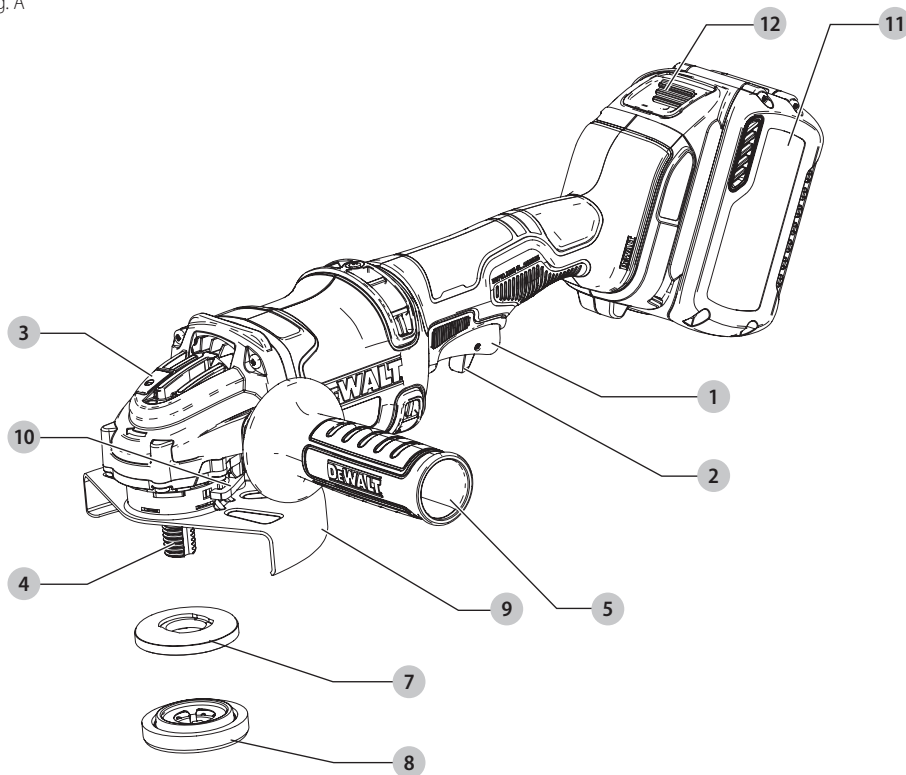
CAUTION: Indicates a potentially hazardous situation which, if not avoided, **may** result in **minor or moderate injury**.



(Used without word) Indicates a safety related message.

NOTICE: Indicates a practice **not related to personal injury** which, if not avoided, **may** result in **property damage**.

Fig. A



- 1 Trigger switch
- 2 Lock-off lever
- 3 Spindle lock button
- 4 Spindle
- 5 Side handle
- 6 Grinding wheel (Fig. H)
- 7 Unthreaded backing flange
- 8 Locking flange
- 9 Type 27 Guard (x2) 6" (150 mm) and 4.5" (125 mm)
- 10 Guard release lever
- 11 Battery pack
- 12 Battery release button



WARNING! Read all safety warnings and all instructions. Failure to follow the warnings and instructions may result in electric shock, fire and/or serious injury.



WARNING: To reduce the risk of injury, read the instruction manual.

If you have any questions or comments about this or any DeWALT tool, call us toll free at: 1-800-4-DeWALT (1-800-433-9258).

GENERAL POWER TOOL SAFETY

WARNINGS



WARNING: Read all safety warnings, instructions, illustrations and specifications provided with this power tool. Failure to follow all instructions listed below may result in electric shock, fire and/or serious injury.

SAVE ALL WARNINGS AND INSTRUCTIONS FOR FUTURE REFERENCE.

The term "power tool" in the warnings refers to your mains-operated (corded) power tool or battery-operated (cordless) power tool.

1) Work Area Safety

- a) **Keep work area clean and well lit.** Cluttered or dark areas invite accidents.
- b) **Do not operate power tools in explosive atmospheres, such as in the presence of flammable liquids, gases or dust.** Power tools create sparks which may ignite the dust or fumes.
- c) **Keep children and bystanders away while operating a power tool.** Distractions can cause you to lose control.

2) Electrical Safety

- a) **Power tool plugs must match the outlet. Never modify the plug in any way. Do not use any adapter plugs with earthed (grounded) power tools.** Unmodified plugs and matching outlets will reduce risk of electric shock.
- b) **Avoid body contact with earthed or grounded surfaces, such as pipes, radiators, ranges and refrigerators.** There is an increased risk of electric shock if your body is earthed or grounded.
- c) **Do not expose power tools to rain or wet conditions.** Water entering a power tool will increase the risk of electric shock.
- d) **Do not abuse the cord. Never use the cord for carrying, pulling or unplugging the power tool. Keep cord away from heat, oil, sharp edges or moving parts.** Damaged or entangled cords increase the risk of electric shock.
- e) **When operating a power tool outdoors, use an extension cord suitable for outdoor use.** Use of a cord suitable for outdoor use reduces the risk of electric shock.
- f) **If operating a power tool in a damp location is unavoidable, use a ground fault circuit interrupter (GFCI) protected supply.** Use of a GFCI reduces the risk of electric shock.

3) Personal Safety

- a) **Stay alert, watch what you are doing and use common sense when operating a power tool. Do not use a power tool while you are tired or under the influence of drugs, alcohol or medication.** A moment of inattention while operating power tools may result in serious personal injury.

- b) **Use personal protective equipment. Always wear eye protection.** Protective equipment such as dust mask, non-skid safety shoes, hard hat, or hearing protection used for appropriate conditions will reduce personal injuries.
- c) **Prevent unintentional starting. Ensure the switch is in the off-position before connecting to power source and/or battery pack, picking up or carrying the tool.** Carrying power tools with your finger on the switch or energizing power tools that have the switch on invites accidents.
- d) **Remove any adjusting key or wrench before turning the power tool on.** A wrench or a key left attached to a rotating part of the power tool may result in personal injury.
- e) **Do not overreach. Keep proper footing and balance at all times.** This enables better control of the power tool in unexpected situations.
- f) **Dress properly. Do not wear loose clothing or jewelry. Keep your hair, clothing and gloves away from moving parts.** Loose clothes, jewelry or long hair can be caught in moving parts.
- g) **If devices are provided for the connection of dust extraction and collection facilities, ensure these are connected and properly used.** Use of dust collection can reduce dust-related hazards.
- h) **Do not let familiarity gained from frequent use of tools allow you to become complacent and ignore tool safety principles.** A careless action can cause severe injury within a fraction of a second.

4) Power Tool Use and Care

- a) **Do not force the power tool. Use the correct power tool for your application.** The correct power tool will do the job better and safer at the rate for which it was designed.
- b) **Do not use the power tool if the switch does not turn it on and off.** Any power tool that cannot be controlled with the switch is dangerous and must be repaired.
- c) **Disconnect the plug from the power source and/or remove the battery pack, if detachable, from the power tool before making any adjustments, changing accessories, or storing power tools.** Such preventive safety measures reduce the risk of starting the power tool accidentally.
- d) **Store idle power tools out of the reach of children and do not allow persons unfamiliar with the power tool or these instructions to operate the power tool.** Power tools are dangerous in the hands of untrained users.
- e) **Maintain power tools and accessories. Check for misalignment or binding of moving parts, breakage of parts and any other condition that may affect the power tool's operation. If damaged, have the power tool repaired before use.** Many accidents are caused by poorly maintained power tools.
- f) **Keep cutting tools sharp and clean.** Properly maintained cutting tools with sharp cutting edges are less likely to bind and are easier to control.

- g) **Use the power tool, accessories and tool bits etc. in accordance with these instructions, taking into account the working conditions and the work to be performed.** Use of the power tool for operations different from those intended could result in a hazardous situation.
- h) **Keep handles and grasping surfaces dry, clean and free from oil and grease.** Slippery handles and grasping surfaces do not allow for safe handling and control of the tool in unexpected situations.

5) Battery Tool Use and Care

- a) **Recharge only with the charger specified by the manufacturer.** A charger that is suitable for one type of battery pack may create a risk of fire when used with another battery pack.
- b) **Use power tools only with specifically designated battery packs.** Use of any other battery packs may create a risk of injury and fire.
- c) **When battery pack is not in use, keep it away from other metal objects, like paper clips, coins, keys, nails, screws or other small metal objects, that can make a connection from one terminal to another.** Shorting the battery terminals together may cause burns or a fire.
- d) **Under abusive conditions, liquid may be ejected from the battery; avoid contact. If contact accidentally occurs, flush with water. If liquid contacts eyes, additionally seek medical help.** Liquid ejected from the battery may cause irritation or burns.
- e) **Do not use a battery pack or tool that is damaged or modified.** Damaged or modified batteries may exhibit unpredictable behavior resulting in fire, explosion or risk of injury.
- f) **Do not expose a battery pack or tool to fire or excessive temperature.** Exposure to fire or temperature above 265 °F (130 °C) may cause explosion.
- g) **Follow all charging instructions and do not charge the battery pack or tool outside the temperature range specified in the instructions.** Charging improperly or at temperatures outside the specified range may damage the battery and increase the risk of fire.

6) Service

- a) **Have your power tool serviced by a qualified repair person using only identical replacement parts.** This will ensure that the safety of the power tool is maintained.
- b) **Never service damaged battery packs.** Service of battery packs should only be performed by the manufacturer or authorized service providers.

SAFETY INSTRUCTIONS FOR ALL OPERATIONS

Safety Warnings Common for Grinding, Sanding, Wire Brushing or Abrasive, Cutting-Off Operations

- a) **This power tool is intended to function as a grinder, sander, wire brush or cut-off tool. Read all safety warnings, instructions, illustrations and specifications provided with this power tool.** Failure to follow all instructions listed below may result in electric shock, fire and/or serious injury.
- b) **Operations such as polishing are not recommended to be performed with this power tool.** Operations for which the power tool was not designed may create a hazard and cause personal injury.
- c) **Do not use accessories which are not specifically designed and recommended by the tool manufacturer.** Just because the accessory can be attached to your power tool, it does not assure safe operation.
- d) **The rated speed of the accessory must be at least equal to the maximum speed marked on the power tool.** Accessories running faster than their rated speed can break and fly apart.
- e) **The outside diameter and the thickness of your accessory must be within the capacity rating of your power tool.** Incorrectly sized accessories cannot be adequately guarded or controlled.
- f) **Threaded mounting of accessories must match the grinder spindle thread. For accessories mounted by flanges, the arbor hole of the accessory must fit the locating diameter of the flange.** Accessories that do not match the mounting hardware of the power tool will run out of balance, vibrate excessively and may cause loss of control.
- g) **Do not use a damaged accessory. Before each use inspect the accessory such as abrasive wheels for chips and cracks, backing pad for cracks, tear or excess wear, wire brush for loose or cracked wires. If power tool or accessory is dropped, inspect for damage or install an undamaged accessory. After inspecting and installing an accessory, position yourself and bystanders away from the plane of the rotating accessory and run the power tool at maximum no-load speed for one minute.** Damaged accessories will normally break apart during this test time.
- h) **Wear personal protective equipment. Depending on application, use face shield, safety goggles or safety glasses. As appropriate, wear dust mask, hearing protectors, gloves and workshop apron capable of stopping small abrasive or workpiece fragments. The eye protection must be capable of stopping flying debris generated by various**

- operations. The dust mask or respirator must be capable of filtering particles generated by your operation.** Prolonged exposure to high intensity noise may cause hearing loss.
- i) **Keep bystanders a safe distance away from work area. Anyone entering the work area must wear personal protective equipment.** Fragments of workpiece or of a broken accessory may fly away and cause injury beyond immediate area of operation.
 - j) **Hold the power tool by insulated gripping surfaces only, when performing an operation where the cutting accessory may contact hidden wiring.** Cutting accessory contacting a "live" wire may make exposed metal parts of the power tool "live" and could give the operator an electric shock.
 - k) **Position the cord clear of the spinning accessory.** If you lose control, the cord may be cut or snagged and your hand or arm may be pulled into the spinning accessory.
 - l) **Never lay the power tool down until the accessory has come to a complete stop.** The spinning accessory may grab the surface and pull the power tool out of your control.
 - m) **Do not run the power tool while carrying it at your side.** Accidental contact with the spinning accessory could snag your clothing, pulling the accessory into your body.
 - n) **Regularly clean the power tool's air vents.** The motor's fan will draw the dust inside the housing and excessive accumulation of powdered metal may cause electrical hazards.
 - o) **Do not operate the power tool near flammable materials.** Sparks could ignite these materials.
 - p) **Do not use accessories that require liquid coolants.** Using water or other liquid coolants may result in electrocution or shock.
 - q) **Do not use Type 11 (flaring cup) wheels on this tool.** Using inappropriate accessories can result in injury.
 - r) **Always use side handle. Tighten the handle securely.** The side handle should always be used to maintain control of the tool at all times.
 - s) **When starting the tool with a new or replacement wheel, or a new or replacement wire brush installed, hold the tool in a well protected area and let it run for one minute. If the wheel has an undetected crack or flaw, it should burst in less than one minute. If the wire brush has loose wires, they will be detected. Never start the tool with a person in line with the wheel.** This includes the operator.
 - t) **Use of accessories not specified in this manual is not recommended and may be hazardous.** Use of power boosters that would cause the tool to be driven at speeds greater than its rated speed constitutes misuse.
 - u) **Use clamps or another practical way to secure and support the workpiece to a stable platform.**

Holding the work by hand or against your body leaves it unstable and may lead to loss of control.

- v) **Avoid bouncing the wheel or giving it rough treatment.** If this occurs, stop the tool and inspect the wheel for cracks or flaws.
- w) Always handle and store wheels in a careful manner.
- x) **Do not operate this tool for long periods of time. Vibration caused by the operating action of this tool may cause permanent injury to fingers, hands, and arms.** Use gloves to provide extra cushion, take frequent rest periods, and limit daily time of use.
- y) **Air vents often cover moving parts and should be avoided.** Loose clothes, jewelry or long hair can be caught in moving parts.

Kickback and Related Warnings

Kickback is a sudden reaction to a pinched or snagged rotating wheel, backing pad, brush or any other accessory. Pinching or snagging causes rapid stalling of the rotating accessory which in turn causes the uncontrolled power tool to be forced in the direction opposite of the accessory's rotation at the point of the binding.

For example, if an abrasive wheel is snagged or pinched by the workpiece, the edge of the wheel that is entering into the pinch point can dig into the surface of the material causing the wheel to climb out or kick out. The wheel may either jump toward or away from the operator, depending on direction of the wheel's movement at the point of pinching. Abrasive wheels may also break under these conditions.

Kickback is the result of tool misuse and/or incorrect operating procedures or conditions and can be avoided by taking proper precautions as given below:

- a) **Maintain a firm grip on the power tool and position your body and arm to allow you to resist kickback forces. Always use auxiliary handle, if provided, for maximum control over kickback or torque reaction during start up.** The operator can control torque reaction or kickback forces, if proper precautions are taken.
- b) **Never place your hand near the rotating accessory.** Accessory may kickback over your hand.
- c) **Do not position your body in the area where power tool will move if kickback occurs.** Kickback will propel the tool in direction opposite to the wheel's movement at the point of snagging.
- d) **Use special care when working corners, sharp edges etc. Avoid bouncing and snagging the accessory.** Corners, sharp edges or bouncing have a tendency to snag the rotating accessory and cause loss of control or kickback.
- e) **Do not attach a saw chain woodcarving blade or toothed saw blade.** Such blades create frequent kickback and loss of control.

Safety Warnings Specific for Grinding and Abrasive Cutting-Off Operations

- Use only wheel types that are recommended for your power tool and the specific guard designed for the selected wheel.** Wheels for which the power tool was not designed cannot be adequately guarded and are unsafe.
- The grinding surface of center depressed wheels must be mounted below the plane of the guard lip.** An improperly mounted wheel that projects through the plane of the guard lip cannot be adequately protected.
- The guard must be securely attached to the power tool and positioned for maximum safety, so the least amount of wheel is exposed towards the operator.** The guard helps to protect the operator from broken wheel fragments, accidental contact with wheel and sparks that could ignite clothing.
- Wheels must be used only for recommended applications. For example: do not grind with the side of cut-off wheel.** Abrasive cut-off wheels are intended for peripheral grinding, side forces applied to these wheels may cause them to shatter.
- Always use undamaged wheel flanges that are of correct size and shape for your selected wheel. Proper wheel flanges support the wheel thus reducing the possibility of wheel breakage.** Flanges for cut-off wheels may be different from grinding wheel flanges.
- Do not use worn down wheels from larger power tools.** Wheel intended for larger power tool is not suitable for the higher speed of a smaller tool and may burst.

Additional Safety Warnings Specific for Abrasive Cutting-Off Operations

- Do not “jam” the cut-off wheel or apply excessive pressure. Do not attempt to make an excessive depth of cut.** Overstressing the wheel increases the loading and susceptibility to twisting or binding of the wheel in the cut and the possibility of kickback or wheel breakage.
- Do not position your body in line with and behind the rotating wheel.** When the wheel, at the point of operation, is moving away from your body, the possible kickback may propel the spinning wheel and the power tool directly at you.
- When wheel is binding or when interrupting a cut for any reason, switch off the power tool and hold the power tool motionless until the wheel comes to a complete stop. Never attempt to remove the cut-off wheel from the cut while the wheel is in motion otherwise kickback may occur.** Investigate and take corrective action to eliminate the cause of wheel binding.
- Do not restart the cutting operation in the workpiece. Let the wheel reach full speed and**

carefully reenter the cut. The wheel may bind, walk up or kickback if the power tool is restarted in the workpiece.

- Support panels or any oversized workpiece to minimize the risk of wheel pinching and kickback. Large workpieces tend to sag under their own weight.** Supports must be placed under the workpiece near the line of cut and near the edge of the workpiece on both sides of the wheel.
- Use extra caution when making a “pocket cut” into existing walls or other blind areas.** The protruding wheel may cut gas or water pipes, electrical wiring or objects that can cause kickback.

Safety Warnings Specific for Sanding Operations

- Do not use excessively oversized sanding disc paper. Follow manufacturers recommendations, when selecting sanding paper.** Larger sanding paper extending beyond the sanding pad presents a laceration hazard and may cause snagging, tearing of the disc or kickback.

Safety Warnings Specific for Wire Brushing Operations

- Be aware that wire bristles are thrown by the brush even during ordinary operation. Do not overstress the wires by applying excessive load to the brush.** The wire bristles can easily penetrate light clothing and/or skin.
- If the use of a guard is recommended for wire brushing, do not allow any interference of the wire wheel or brush with the guard.** Wire wheel or brush may expand in diameter due to work and centrifugal forces.
- Safety goggles or safety glasses with side shields and a full face shield compliant with ANSI Z87.1 MUST be worn by the operator and others that are within 50' (15.2 m) of the use of this product.**

Additional Safety Information



WARNING: Never modify the power tool or any part of it. Damage or personal injury could result.



WARNING: ALWAYS use safety glasses. Everyday eyeglasses are NOT safety glasses. Also use face or dust mask if cutting operation is dusty. **ALWAYS WEAR CERTIFIED SAFETY EQUIPMENT:**

- ANSI Z87.1 eye protection (CAN/CSA Z94.3),
- ANSI S12.6 (S3.19) hearing protection,
- NIOSH/OSHA/MSHA respiratory protection.



WARNING: Some dust created by power sanding, sawing, grinding, drilling, and other construction activities contains chemicals known to the State of California to cause cancer, birth defects or other reproductive harm. Some examples of these chemicals are:

- lead from lead-based paints,

ENGLISH

- crystalline silica from bricks and cement and other masonry products, and
- arsenic and chromium from chemically-treated lumber.

Your risk from these exposures varies, depending on how often you do this type of work. To reduce your exposure to these chemicals: work in a well ventilated area, and work with approved safety equipment, such as those dust masks that are specially designed to filter out microscopic particles.

- **Avoid prolonged contact with dust from power sanding, sawing, grinding, drilling, and other construction activities. Wear protective clothing and wash exposed areas with soap and water.** Allowing dust to get into your mouth, eyes, or lay on the skin may promote absorption of harmful chemicals.



WARNING: Use of this tool can generate and/or disperse dust, which may cause serious and permanent respiratory or other injury. Always use NIOSH/OSHA approved respiratory protection appropriate for the dust exposure. Direct particles away from face and body.



WARNING: Always wear proper personal hearing protection that conforms to ANSI S12.6 (S3.19) during use. Under some conditions and duration of use, noise from this product may contribute to hearing loss.



CAUTION: When not in use, place tool on its side on a stable surface where it will not cause a tripping or falling hazard. Some tools with large battery packs will stand upright on the battery pack but may be easily knocked over.

The label on your tool may include the following symbols. The symbols and their definitions are as follows:

V.....volts	or AC.....alternating current
Hz.....hertz	or AC/DC.....alternating or direct current
min.....minutesClass II Construction (double insulated)
or DC.....direct currentClass I Construction (grounded)
.....Class I Construction (grounded)	n_gno load speed
.../min.....per minute	n.....rated speed
BPM.....beats per minuteearthing terminal
IPM.....impacts per minutesafety alert symbol
RPM.....revolutions per minutevisible radiation
sfpm.....surface feet per minutewear respiratory protection
SPM.....strokes per minutewear eye protection
A.....ampereswear hearing protection
W.....watts	

BATTERIES AND CHARGERS

The battery pack is not fully charged out of the carton. Before using the battery pack and charger, read the safety instructions below and then follow charging

procedures outlined. When ordering replacement battery packs, be sure to include the catalog number and voltage. Your tool uses a DeWALT charger. Be sure to read all safety instructions before using your charger. Consult the chart at the end of this manual for compatibility of chargers and battery packs.

READ ALL INSTRUCTIONS

Important Safety Instructions for All Battery Packs



WARNING: Read all safety warnings and all instructions for the battery pack, charger and power tool. Failure to follow the warnings and instructions may result in electric shock, fire and/or serious injury.

- **Do not charge or use the battery pack in explosive atmospheres, such as in the presence of flammable liquids, gases or dust.** Inserting or removing the battery pack from the charger may ignite the dust or fumes.
- **NEVER force the battery pack into the charger. DO NOT modify the battery pack in any way to fit into a non-compatible charger as battery pack may rupture causing serious personal injury.** Consult the chart at the end of this manual for compatibility of batteries and chargers.
- Charge the battery packs only in designated DeWALT chargers.
- **DO NOT splash or immerse in water or other liquids.**
- **Do not store or use the tool and battery pack in locations where the temperature may reach or exceed 104 °F (40 °C) (such as outside sheds or metal buildings in summer).** For best life store battery packs in a cool, dry location.

NOTE: Do not store the battery packs in a tool with the trigger switch locked on. Never tape the trigger switch in the ON position.

- **Do not expose battery pack or tool/appliance to fire or excessive temperature.** Exposure to fire or temperature above 265°F (130°C) may cause explosion.
- **Do not incinerate the battery pack even if it is severely damaged or is completely worn out.** The battery pack can explode in a fire. Toxic fumes and materials are created when lithium ion battery packs are burned.
- **If battery contents come into contact with the skin, immediately wash area with mild soap and water.** If battery liquid gets into the eye, rinse water over the open eye for 15 minutes or until irritation ceases. If medical attention is needed, the battery electrolyte is composed of a mixture of liquid organic carbonates and lithium salts.
- **Contents of opened battery cells may cause respiratory irritation.** Provide fresh air. If symptoms persist, seek medical attention.



WARNING: Burn hazard. Battery liquid may be flammable if exposed to spark or flame.



WARNING: Fire hazard. Never attempt to open the battery pack for any reason. If the battery pack case

is cracked or damaged, do not insert into the charger. Do not crush, drop or damage the battery pack. Do not use a battery pack or charger that has received a sharp blow, been dropped, run over or damaged in any way (e.g., pierced with a nail, hit with a hammer, stepped on). Damaged battery packs should be returned to the service center for recycling.

Transportation



WARNING: Fire hazard. Do not store or carry the battery pack so that metal objects can contact exposed battery terminals. For example, do not place the battery pack in aprons, pockets, tool boxes, product kit boxes, drawers, etc., with loose nails, screws, keys, etc. **Transporting batteries can possibly cause fires if the battery terminals inadvertently come in contact with conductive materials such as keys, coins, hand tools and the like.** The US Department of Transportation Hazardous Material Regulations (HMR) actually prohibit transporting batteries in commerce or on airplanes in carry-on baggage UNLESS they are properly protected from short circuits. So when transporting individual battery packs, make sure that the battery terminals are protected and well insulated from materials that could contact them and cause a short circuit.

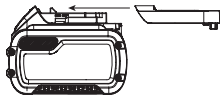
NOTE: Lithium-ion batteries should not be put in checked baggage.

Shipping the DeWALT FLEXVOLT™ Battery

The DeWALT FLEXVOLT™ battery has two modes: **Use** and **Shipping**.

Use Mode: When the FLEXVOLT™ battery stands alone or is in a DeWALT 20V Max* product, it will operate as a 20V Max* battery. When the FLEXVOLT™ battery is in a 60V Max* or a 120V Max* (two 60V Max* batteries) product, it will operate as a 60V Max* battery.

Shipping Mode: When the cap is attached to the FLEXVOLT™ battery, the battery is in Shipping Mode. Strings of cells are electrically disconnected within the pack resulting in three batteries with a lower watt hour (Wh) rating as compared to one battery with a higher Watt hour rating. This increased quantity of three batteries with the lower watt hour rating can exempt the pack from certain shipping regulations that are imposed upon the higher Watt hour batteries.



The battery label indicates two Watt Hour Ratings (see example). Depending on how the battery is shipped, the appropriate Whr rating must be used to determine the applicable shipping requirements. If utilizing the shipping cap, the pack will be considered 3 batteries at the Whr indicated for “Shipping”. If shipping without the cap or in a tool, the pack will be considered one battery at the Watt hour rating indicated next to “Use”.

Example of Use and Shipping Label Marking

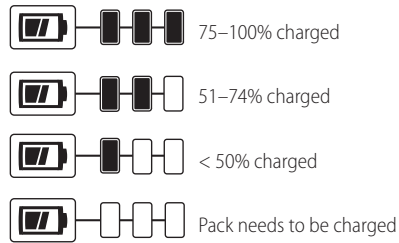
USE: 120 Wh Shipping: 3 x 40 Wh

Transport Wh rating indicates 3 x 40 Wh, meaning 3 batteries of 40 Watt hours each. The Use Wh rating indicates 120 Watt hour (1 battery implied).

Fuel Gauge Battery Packs (Fig. B)

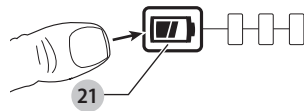
Some DeWALT battery packs include a fuel gauge which consists of three green LED lights that indicate the level of charge remaining in the battery pack.

The fuel gauge is an indication of approximate levels of charge remaining in the battery pack according to the following indicators:



To actuate the fuel gauge, press and hold the fuel gauge button **21**. A combination of the three green LED lights will illuminate designating the level of charge left. When the level of charge in the battery is below the usable limit, the fuel gauge will not illuminate and the battery will need to be recharged.

Fig. B



NOTE: The fuel gauge is only an indication of the charge left on the battery pack. It does not indicate tool functionality and is subject to variation based on product components, temperature and end-user application.

For more information regarding fuel gauge battery packs, please contact call 1-800-4-DeWALT (1-800-433-9258) or visit our website www.dewalt.com.

The RBRC® Seal

The RBRC® (Rechargeable Battery Recycling Corporation) Seal on the nickel cadmium, nickel metal hydride or lithium-ion batteries (or battery packs) indicates that the costs to recycle these batteries (or battery packs) at the end of their useful life have already been paid by DeWALT. In some areas, it is illegal to place spent nickel cadmium, nickel metal hydride or lithium-ion batteries in the trash or municipal solid waste stream and the Call 2 Recycle® program provides an environmentally conscious alternative.

Call 2 Recycle, Inc., in cooperation with DeWALT and other battery users, has established the program in the United States and Canada to facilitate the collection of spent nickel



ENGLISH

cadmium, nickel metal hydride or lithium-ion batteries. Help protect our environment and conserve natural resources by returning the spent nickel cadmium, nickel metal hydride or lithium-ion batteries to an authorized DeWALT service center or to your local retailer for recycling. You may also contact your local recycling center for information on where to drop off the spent battery. RBRC® is a registered trademark of Call 2 Recycle, Inc.

RBRC™ is a registered trademark of the *Rechargeable Battery Recycling Corporation*.

Important Safety Instructions for All Battery Chargers



WARNING: Read all safety warnings and all instructions for the battery pack, charger and power tool. Failure to follow the warnings and instructions may result in electric shock, fire and/or serious injury.

- **DO NOT attempt to charge the battery pack with any chargers other than the ones in this manual.** *The charger and battery pack are specifically designed to work together.*
- **These chargers are not intended for any uses other than charging DeWALT rechargeable batteries.** *Any other uses may result in risk of fire, electric shock or electrocution.*
- **Do not expose the charger to rain or snow.**
- **Pull by the plug rather than the cord when disconnecting the charger.** *This will reduce the risk of damage to the electric plug and cord.*
- **Make sure that the cord is located so that it will not be stepped on, tripped over or otherwise subjected to damage or stress.**
- **Do not use an extension cord unless it is absolutely necessary.** *Use of improper extension cord could result in risk of fire, electric shock or electrocution.*
- **When operating a charger outdoors, always provide a dry location and use an extension cord suitable for outdoor use.** *Use of a cord suitable for outdoor use reduces the risk of electric shock.*
- **An extension cord must have adequate wire size (AWG or American Wire Gauge) for safety.** *The smaller the gauge number of the wire, the greater the capacity of the cable, that is, 16 gauge has more capacity than 18 gauge. An undersized cord will cause a drop in line voltage resulting in loss of power and overheating. When using more than one extension to make up the total length, be sure each individual extension contains at least the minimum wire size. The following table shows the correct size to use depending on cord length and nameplate ampere rating. If in doubt, use the next heavier gauge. The lower the gauge number, the heavier the cord.*

Minimum Gauge for Cord Sets

Volts	Total Length of Cord in Feet (meters)					
	120 V	25 (7.6)	50 (15.2)	100 (30.5)	150 (45.7)	
240 V	50 (15.2)	100 (30.5)	200 (61.0)	300 (91.4)		
Ampere Rating		American Wire Gauge				
More Than	Not More Than					
0	6	18	16	16	14	
6	10	18	16	14	12	
10	12	16	16	14	12	
12	16	14	12	Not Recommended		



WARNING: *If the plug or power cord is damaged, it must be replaced by the manufacturer or its representative or by an equally qualified person to avoid danger.*

- **Do not place any object on top of the charger or place the charger on a soft surface that might block the ventilation slots and result in excessive internal heat.** *Place the charger in a position away from any heat source. The charger is ventilated through slots in the top and the bottom of the housing.*
- **Do not operate the charger with a damaged cord or plug.**
- **Do not operate the charger if it has received a sharp blow, been dropped or otherwise damaged in any way.** *Take it to an authorized service center.*
- **Do not disassemble the charger; take it to an authorized service center when service or repair is required.** *Incorrect reassembly may result in a risk of electric shock, electrocution or fire.*
- **Disconnect the charger from the outlet before attempting any cleaning. This will reduce the risk of electric shock.** *Removing the battery pack will not reduce this risk.*
- **NEVER attempt to connect 2 chargers together.**
- **The charger is designed to operate on standard 120V household electrical power. Do not attempt to use it on any other voltage.** *This does not apply to the vehicular charger.*



WARNING: *Shock hazard. Do not allow any liquid to get inside the charger. Electric shock may result.*



WARNING: *Burn hazard. Do not submerge the battery pack in any liquid or allow any liquid to enter the battery pack. Never attempt to open the battery pack for any reason. If the plastic housing of the battery pack breaks or cracks, return to a service center for recycling.*



CAUTION: *Burn hazard. To reduce the risk of injury, charge only DeWALT rechargeable battery packs. Other types of batteries may overheat and burst resulting in personal injury and property damage.*

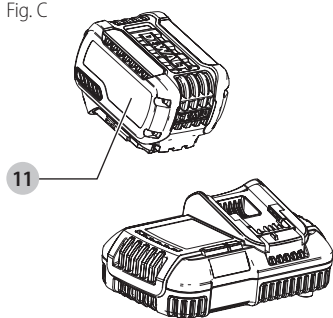
NOTICE: *Under certain conditions, with the charger plugged into the power supply, the charger can be shorted by foreign material. Foreign materials of a conductive nature, such as, but not limited to, grinding dust, metal chips, steel wool, aluminum foil or any*

buildup of metallic particles should be kept away from the charger cavities. Always unplug the charger from the power supply when there is no battery pack in the cavity. Unplug the charger before attempting to clean.

Charging a Battery (Fig. A, C)

1. Plug the charger into an appropriate outlet before inserting battery pack.

Fig. C



2. Insert the battery pack **11** into the charger, making sure the battery pack is fully seated in the charger. The red (charging) light will blink continuously indicating that the charging process has started.
3. The completion of charge will be indicated by the red light remaining ON continuously. The battery pack is fully charged and may be used at this time or left in the charger. To remove the battery pack from the charger, push the battery release button on the battery pack and then slide the battery pack out of the charger.

NOTE: To ensure maximum performance and life of lithium-ion battery packs, charge the battery pack fully before first use.

Charger Operation

Refer to the indicators below for the charge status of the battery pack.

DCB107, DCB112, DCB113, DCB115, DCB118, DCB132, DCB1106

	Charging		
	Fully Charged		
	Hot/Cold Pack Delay*		

***DCB107, DCB112, DCB113, DCB115, DCB118, DCB132, DCB1106:** The red light will continue to blink, but a yellow indicator light will be illuminated during this operation. Once the battery pack has reached an appropriate temperature, the yellow light will turn off and the charger will resume the charging procedure.

The compatible charger(s) will not charge a faulty battery pack. The charger will indicate faulty battery pack by refusing to light.

NOTE: This could also mean a problem with a charger. If the charger indicates a problem, take the charger and battery pack to be tested at an authorized service center.

Hot/Cold Pack Delay

When the charger detects a battery pack that is too hot or too cold, it automatically starts a Hot/Cold Pack Delay, suspending charging until the battery pack has reached an appropriate temperature. The charger then automatically switches to the pack charging mode. This feature ensures maximum battery pack life.

A cold battery pack will charge at a slower rate than a warm battery pack. The battery pack will charge at that slower rate throughout the entire charging cycle and will not return to maximum charge rate even if the battery pack warms.

The DCB118 charger is equipped with an internal fan designed to cool the battery pack. The fan will turn on automatically when the battery pack needs to be cooled.

Never operate the charger if the fan does not operate properly or if ventilation slots are blocked. Do not permit foreign objects to enter the interior of the charger.

Lithium-Ion Battery Packs Only

Li-Ion tools are designed with an Electronic Protection System that will protect the battery pack against overloading, overheating or deep discharge.

The tool will automatically turn off if the Electronic Protection System engages. If this occurs, place the lithium-ion battery pack on the charger until it is fully charged.

Wall Mounting

DCB107, DCB112, DCB113, DCB115, DCB118, DCB132, DCB1106

These chargers are designed to be wall mountable or to sit upright on a table or work surface. If wall mounting, locate the charger within reach of an electrical outlet, and away from a corner or other obstructions which may impede air flow. Use the back of the charger as a template for the location of the mounting screws on the wall. Mount the charger securely using drywall screws (purchased separately) at least 1" (25.4 mm) long, with a screw head diameter of 0.28–0.35" (7–9 mm), screwed into wood to an optimal depth leaving approximately 7/32" (5.5 mm) of the screw exposed. Align the slots on the back of the charger with the exposed screws and fully engage them in the slots.

Charger Cleaning Instructions



WARNING: Shock hazard. Disconnect the charger from the AC outlet before cleaning. Dirt and grease may be removed from the exterior of the charger using a cloth or soft non-metallic brush. Do not use water or any cleaning solutions.

Important Charging Notes

1. Longest life and best performance can be obtained if the battery pack is charged when the air temperature is between 65 °F and 75 °F (18 ° – 24 °C). DO NOT charge the battery pack in an air temperature below +40 °F (+4.5 °C), or above +104 °F (+40 °C). This is important and will prevent serious damage to the battery pack.
2. The charger and battery pack may become warm to the touch while charging. This is a normal condition, and does not indicate a problem. To facilitate the cooling of

ENGLISH

the battery pack after use, avoid placing the charger or battery pack in a warm environment such as in a metal shed or an uninsulated trailer.

- If the battery pack does not charge properly:
 - Check operation of receptacle by plugging in a lamp or other appliance;
 - Check to see if receptacle is connected to a light switch which turns power off when you turn out the lights;
 - Move the charger and battery pack to a location where the surrounding air temperature is approximately 65 °F – 75 °F (18 ° – 24 °C);
 - If charging problems persist, take the tool, battery pack and charger to your local service center.
- The battery pack should be recharged when it fails to produce sufficient power on jobs which were easily done previously. DO NOT CONTINUE to use under these conditions. Follow the charging procedure. You may also charge a partially used pack whenever you desire with no adverse effect on the battery pack.
- Foreign materials of a conductive nature such as, but not limited to, grinding dust, metal chips, steel wool, aluminum foil, or any buildup of metallic particles should be kept away from charger cavities. Always unplug the charger from the power supply when there is no battery pack in the cavity. Unplug the charger before attempting to clean.
- Do not freeze or immerse the charger in water or any other liquid.

Storage Recommendations

- The best storage place is one that is cool and dry, away from direct sunlight and excess heat or cold.
- For long storage, it is recommended to store a fully charged battery pack in a cool dry place out of the charger for optimal results.

NOTE: Battery packs should not be stored completely depleted of charge. The battery pack will need to be recharged before use.

SAVE THESE INSTRUCTIONS FOR FUTURE USE

Intended Use

These heavy-duty small angle grinders have been designed for professional grinding, sanding, wire brush, and cut-off applications at various work sites (i.e., construction sites).

DO NOT use under wet conditions or in presence of flammable liquids or gases.

These heavy-duty small angle grinders are professional power tools. **DO NOT** let children come into contact with the tool. Supervision is required when inexperienced operators use this tool.

E-Clutch™

This unit is equipped with an E-Clutch™ (Electronic Clutch), which in the event of a high-load the unit will be shut off to reduce the reaction torque to the user. The switch needs to be cycled (turned on and off) to restart tool.

Kickback Brake™

When a pinch, stall, or bind-up event is sensed the electronic brake engages with maximum force to quickly stop the wheel, reduce the movement of the grinder, and shut the grinder off. The switch needs to be cycled (turned on and off) to restart the tool.

Power-OFF™ OVERLOAD Protection

The power supply to the motor will be reduced in case of motor overload. With continued motor overload, the tool will shut off. The switch needs to be cycled (turned on and off) to restart tool. The tool will power off each time the current load reaches the overload current value (motor burn-up point). If continued overload shutdowns occur, apply less force/weight on the tool until the tool will function without the overload engaging.

Electronic Soft Start

This feature limits the initial start up speed, allowing the tool to build up to full speed gradually over a 1 second period.

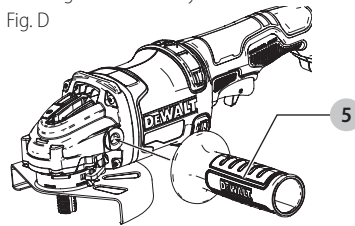
ASSEMBLY AND ADJUSTMENTS

⚠ WARNING: To reduce the risk of serious personal injury, turn unit off and remove the battery pack before making any adjustments or removing/installing attachments or accessories. An accidental start-up can cause injury.

Attaching Side Handle (Fig. D)

The side handle **5** can be fitted to either side of the gear case in the threaded holes. Before using the tool, check that the handle is tightened securely.

Fig. D

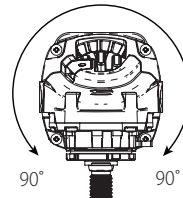


Rotating the Gear Case (Fig. E)

To improve user comfort, the gear case will rotate 90° for cutting operations.

- Remove the four corner screws attaching the gear case to motor housing.
- Without separating the gear case from motor housing, rotate the gear case head to desired position.

Fig. E



NOTE: If the gear case and motor housing become separated by more than 1/8" (3.17 mm), the tool must be serviced and re-assembled by a DeWALT service center. Failure to have the tool serviced may motor and bearing failure.

- Reinstall screws to attach the gear case to the motor housing. Tighten screws to 12.5 in.-lbs. torque. Overtightening could cause screws to strip.

Guards

CAUTION: Guards must be used with all grinding wheels, cutting wheels, sanding flap discs, wire brushes, and wire wheels. The tool may be used without a guard only when sanding with conventional sanding discs. Refer to Figure A to see guards provided with the unit. Some applications may require purchasing the correct guard from your local dealer or authorized service center.

NOTE: Edge grinding and cutting can be performed with Type 27 wheels designed and specified for this purpose; 1/4" (6.35 mm) thick wheels are designed for surface grinding while thinner Type 27 wheels need to be examined for the manufacturer's label to see if they can be used for surface grinding or only edge grinding/cutting. A Type 1/41 guard must be used for any wheel where surface grinding is forbidden. Cutting can also be performed by using a Type 1/41 wheel and a Type 1/41 guard.

NOTE: See the **Accessories Chart** to select the proper guard / accessory combination.

Adjusting and Mounting Guard (Fig. F, G)

CAUTION: Turn unit off and unplug the tool before making any adjustments or removing or installing attachments or accessories.

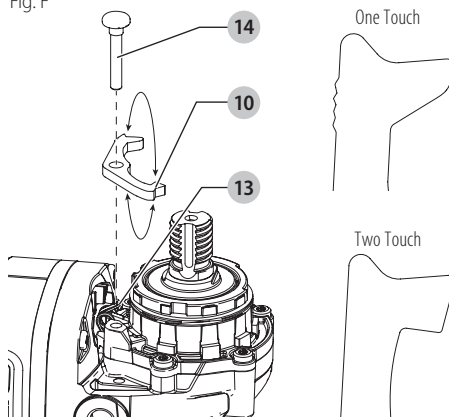
CAUTION: BEFORE operating the tool, identify which guard adjustment option your tool is set to.

Adjustment Options

For guard adjustment, the guard release lever **10** engages one of the alignment holes **17** on the guard collar using a ratcheting feature. Your grinder offers two options for this adjustment.

- One-touch™:** In this position the engaging face is slanted and will ride over to the next alignment hole when guard is rotated in a clockwise direction (spindle facing user) but self-locks in the counter-clockwise direction.
- Two-touch™:** In this position the engaging face is straight and squared off. It will NOT ride over to the next alignment hole unless guard release lever is pressed and held while simultaneously rotating the guard in either a clockwise or counterclockwise direction (spindle facing user).

Fig. F



Setting Guard Adjustment Options

To adjust the guard release lever **10** for desired adjustment option:

- Remove screw **14** using a T20 bit.
- Remove the guard release lever taking note of the spring position. Choose the end of the lever for the desired adjustment option. One-touch will use the slanted end of the lever **10** to engage the alignment holes **17** on the guard collar. Two-touch will use the squared end to engage the alignment holes **17** on the guard collar.
- Replace the lever, positioning the chosen end under the spring **13**. Ensure the lever is in proper contact with the spring.
- Replace screw and torque to 2.0-3.0 N-m. Ensure proper installation with spring return function by depressing guard release lever **10**.

Mounting Guard (Fig. G)

CAUTION: Prior to mounting guard, ensure the screw, lever, and spring are fitted correctly before mounting the guard.

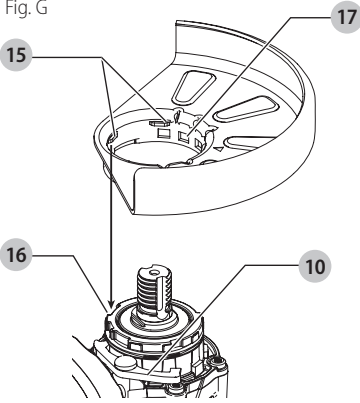
- With the spindle facing the operator, press and hold the guard release lever **10**.
 - Align the lugs **15** on the guard with the slots **16** on the gear case.
 - Push the guard down until the guard lugs engage and rotate them in the groove on the gear case hub. Release the guard release lever.
 - To position the guard:
 - One-touch™:** Rotate the guard clockwise into the desired working position. Press and hold the guard release lever **10** release lever to rotate the guard in the anti-clockwise direction.
 - Two-touch™:** Press and hold the guard release lever **10**. Rotate the guard clockwise or counterclockwise into the desired working position.
- NOTE:** The guard body should be positioned between the spindle and the operator to provide maximum operator protection.

ENGLISH

The guard release lever should snap into one of the alignment holes **17** on the guard collar. This ensures that the guard is secure.

- To remove the guard, follow steps 1–3 of these instructions in reverse.

Fig. G



Flanges and Wheels

- WARNING:** To reduce the risk of serious personal injury, turn unit off and remove the battery pack before making any adjustments or removing/ installing attachments or accessories. An accidental start-up can cause injury.

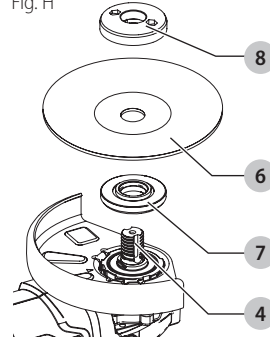
Mounting Non-Hubbed Wheels (Fig. H)

- WARNING:** Failure to properly seat the flange/ clamp nut/ wheel could result in serious injury (or damage to the tool or wheel)."
- CAUTION:** Included flanges must be used with depressed center Type 27 grinding wheels and Type 1/41 and Type 27/42 cutting wheels. See the **Accessories Chart** for more information.
- WARNING:** A closed, two-sided cutting wheel guard is required when using cutting wheels. Cutting wheels include diamond wheels and abrasive discs. Abrasive cutting wheels for metal and concrete use are available. Diamond blades for concrete cutting can also be used.
- CAUTION:** Included flanges must be used with all non-hubbed accessories except conventional sanding discs.
- WARNING:** Use of a damaged flange or guard or failure to use proper flange and guard can result in injury due to wheel breakage and wheel contact. See the **Accessories Chart** for more information.

- Install the unthreaded backing flange **7** on spindle **4** with the raised section (pilot) facing the wheel as shown.
- Place wheel against the backing flange, centering the wheel on the raised section (pilot) of the backing flange.
- While depressing the spindle lock button and with the hex depressions facing away from the wheel, thread the locking flange **8** on spindle so that the lugs engage the two slots in the spindle.

- While depressing the spindle lock button, tighten the locking flange with a wrench.
- To remove the wheel, depress the spindle lock button and loosen the threaded locking flange with a wrench.

Fig. H



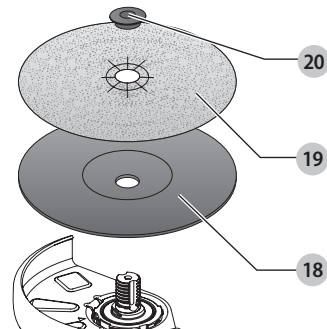
Mounting Sanding Backing Pads (Fig. A, I)

NOTE: Use of a guard with sanding discs that use backing pads, often called fiber resin discs, is not required. Since a guard is not required for these accessories, the guard may or may not fit correctly if used.

- WARNING:** Failure to properly seat the flange/ clamp nut/ wheel could result in serious injury (or damage to the tool or wheel).
- WARNING:** Proper guard must be reinstalled for grinding wheel, cutting wheel, sanding flap disc, wire brush or wire wheel applications after sanding applications are complete.

- Remove the inner flange.
- Place or appropriately thread backing pad **18** on the spindle.
- Place the sanding disc **19** on the backing pad **18**.
- While depressing spindle lock **3**, thread clamp nut **20** on spindle, piloting the raised hub on the clamp nut into the center of sanding disc and backing pad.

Fig. I



- Tighten the clamp nut by hand. Then depress the spindle lock button while turning the sanding disc until the sanding disc and clamp nut are snug.

- To remove the wheel, grasp and turn the backing pad and sanding pad while depressing the spindle lock button.

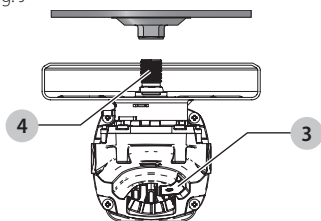
Mounting and Removing Hubbed Wheels (Fig. J)

WARNING: Failure to properly seat the flange/ clamp nut/ wheel could result in serious injury (or damage to the tool or wheel)."

Hubbed wheels install directly on the 5/8"-11 threaded spindle. Thread of accessory must match thread of spindle.

- Remove backing flange by pulling away from tool.
- Thread the wheel on the spindle **4** by hand.
- Depress the spindle lock button **3** and use a wrench to tighten the hub of the wheel.
- Reverse the above procedure to remove the wheel.

Fig. J



NOTICE: Failure to properly seat the wheel before turning the tool on may result in damage to the tool or the wheel.

Mounting Wire Cup Brushes and Wire Wheels

CAUTION: To reduce the risk of personal injury, wear work gloves when handling wire brushes and wheels. They can become sharp.

CAUTION: To reduce the risk of damage to the tool, wheel or brush must not touch guard when mounted or while in use. Undetectable damage could occur to the accessory, causing wires to fragment from accessory wheel or cup.

Wire cup brushes or wire wheels screw directly on the grinder spindle without the use of flanges. Use only wire brushes or wheels provided with a 5/8"-11 threaded hub. A Type 27 guard is required when using wire brushes and wheels.

- Thread the wheel on the spindle by hand.
- Depress spindle lock button and use a wrench on the hub of the wire wheel or brush to tighten the wheel.
- To remove the wheel, reverse the above procedure.

NOTICE: To reduce the risk of damage to the tool, properly seat the wheel hub before turning the tool on.

OPERATION

WARNING: To reduce the risk of serious personal injury, turn unit off and remove the battery pack before making any adjustments or removing/ installing attachments or accessories. An accidental start-up can cause injury.

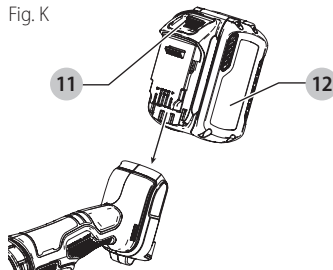
Installing and Removing the Battery Pack (Fig. K)

NOTE: For best results, make sure your battery pack is fully charged.

To install the battery pack **11** into the tool handle, align the battery pack with the rails inside the tool's handle and slide it into the handle until the battery pack is firmly seated in the tool and ensure that it does not disengage.

To remove the battery pack from the tool, press the release button **12** and firmly pull the battery pack out of the tool handle. Insert it into the charger as described in the charger section of this manual.

Fig. K



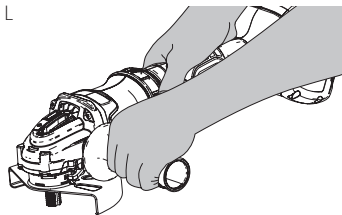
Proper Hand Position (Fig. L)

WARNING: To reduce the risk of serious personal injury, ALWAYS use proper hand position as shown.

WARNING: To reduce the risk of serious personal injury, ALWAYS hold securely in anticipation of a sudden reaction.

Proper hand position requires one hand on the main handle and one hand on the side handle.

Fig. L



Trigger Switch and Lock-off Lever (Fig. M)

WARNING: Before using the tool, check that the side handle is tightened securely.

WARNING: Hold the side handle and main handle of the tool firmly to maintain control of the tool at start up and during use and until the wheel or accessory stops rotating. Make sure the wheel has come to a complete stop before laying the tool down.

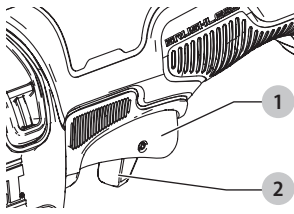
- To turn the tool on, push the lock-off lever **2** toward the back of the tool, then depress the trigger switch **1**. The tool will run while the switch is depressed.

- Turn the tool off by releasing the releasing switch.

WARNING: Allow the tool to reach full speed before touching tool to the work surface. Lift the tool from the work surface before turning the tool off.

ENGLISH

Fig. M



NOTE: This tool has no provision to lock the switch in the ON position, and should never be locked ON by any other means.

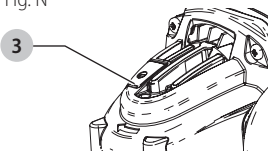
Spindle Lock Button (Fig. N)

The spindle lock button **3** is provided to prevent the spindle from rotating when installing or removing wheels. Operate the spindle lock button only when the tool is turned off, the tool is unplugged, and the wheel has come to a complete stop.

NOTICE: To reduce the risk of damage to the tool, do not engage the spindle lock button while the tool is operating. Damage to the tool will result and attached accessory may spin off possibly resulting in injury.

To engage the lock, depress the spindle lock button **3** and rotate the spindle until you are unable to rotate the spindle further.

Fig. N



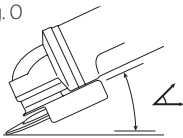
Surface Grinding, Sanding and Wire Brushing (Fig. O)

CAUTION: Always use the correct guard per the instructions in this manual.

To perform work on a the surface of a workpiece:

1. Allow the tool to reach full speed before touching the tool to the work surface.
2. Apply minimum pressure to the work surface, allowing the tool to operate at high speed. Material removal rate is greatest when the tool operates at high speed.

Fig. O



Maintain an appropriate angle between the tool and work surface. Refer to the chart according to particular function.

Function	Angle \angle
Grinding	20°-30°
Sanding with Flap Disc	5°-10°
Sanding with Backing Pad	5°-15°
Wire Brushing	5°-10°

3. Maintain contact between the edge of the wheel and the work surface.
 - If grinding, sanding with flap discs or wire brushing move the tool continuously in a forward and back motion to avoid creating gouges in the work surface.
 - If sanding with a backing pad, move the tool constantly in a straight line to prevent burning and swirling of work surface.

NOTE: Allowing the tool to rest on the work surface without moving will damage the work piece.

4. Remove the tool from work surface before turning tool off. Allow the tool to stop rotating before laying it down.

CAUTION: Use extra care when working over an edge, as a sudden sharp movement of grinder may be experienced.

Precautions To Take When Working on a Painted Workpiece

1. Sanding or wire brushing of lead based paint is NOT RECOMMENDED due to the difficulty of controlling the contaminated dust. The greatest danger of lead poisoning is to children and pregnant women.
2. Since it is difficult to identify whether or not a paint contains lead without a chemical analysis, we recommend the following precautions when sanding any paint:

Personal Safety

1. No children or pregnant women should enter the work area where the paint sanding or wire brushing is being done until all clean up is completed.
2. A dust mask or respirator should be worn by all persons entering the work area. The filter should be replaced daily or whenever the wearer has difficulty breathing.

NOTE: Only those dust masks suitable for working with lead paint dust and fumes should be used. Ordinary painting masks do not offer this protection. See your local hardware dealer for the proper N.I.O.S.H. approved mask.

3. NO EATING, DRINKING or SMOKING should be done in the work area to prevent ingesting contaminated paint particles. Workers should wash and clean up BEFORE eating, drinking or smoking. Articles of food, drink, or smoking should not be left in the work area where dust would settle on them.

Environmental Safety

1. Paint should be removed in such a manner as to minimize the amount of dust generated.
2. Areas where paint removal is occurring should be sealed with plastic sheeting of 4 mils thickness.
3. Sanding should be done in a manner to reduce tracking of paint dust outside the work area.

Cleaning and Disposal

1. All surfaces in the work area should be vacuumed and thoroughly cleaned daily for the duration of the sanding project. Vacuum filter bags should be changed frequently.

- Plastic drop cloths should be gathered up and disposed of along with any dust chips or other removal debris. They should be placed in sealed refuse receptacles and disposed of through regular trash pick-up procedures. During clean up, children and pregnant women should be kept away from the immediate work area.
- All toys, washable furniture and utensils used by children should be washed thoroughly before being used again.

Edge Grinding and Cutting (Fig. P)

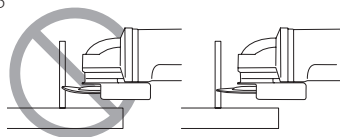
WARNING: Do not use edge grinding/cutting wheels for surface grinding applications because these wheels are not designed for side pressures encountered with surface grinding. Wheel breakage and injury may result.

CAUTION: Wheels used for edge grinding and cutting may break or kick back if they bend or twist while the tool is being used. In all edge grinding/cutting operations, the open side of the guard must be positioned away from the operator.

WARNING: Edge grinding/cutting with a Type 27 wheel must be limited to shallow cutting and notching—less than 1/2" (13 mm) in depth when the wheel is new. Reduce the depth of cutting/notching equal to the reduction of the wheel radius as it wears down. Refer to the **Accessories Chart** for more information. Edge grinding/cutting with a Type 1/41 wheel requires usage of a Type 1/41 guard.

- Allow the tool to reach full speed before touching the tool to the work surface.
- Apply minimum pressure to the work surface, allowing the tool to operate at high speed. Grinding/cutting rate is greatest when the tool operates at high speed.
- Position yourself so that the open-underside of the wheel is facing away from you.
- Once a cut is begun and a notch is established in the workpiece, do not change the angle of the cut. Changing the angle will cause the wheel to bend and may cause wheel breakage. Edge grinding wheels are not designed to withstand side pressures caused by bending.
- Remove the tool from the work surface before turning the tool off. Allow the tool to stop rotating before laying it down.

Fig. P



MAINTENANCE

WARNING: To reduce the risk of serious personal injury, turn unit off and remove the battery pack before making any adjustments or removing/installing attachments or accessories. An accidental start-up can cause injury.

Your DeWALT power tool has been designed to operate over a long period of time with a minimum of maintenance. Continuous satisfactory operation depends upon proper tool care and regular cleaning.

Cleaning

WARNING: Blow dirt and dust out of all air vents with clean, dry air at least once a week. To minimize the risk of eye injury, always wear ANSI Z87.1 approved eye protection when performing this.

WARNING: Never use solvents or other harsh chemicals for cleaning the non-metallic parts of the tool. These chemicals may weaken the plastic materials used in these parts. Use a cloth dampened only with water and mild soap. Never let any liquid get inside the tool; never immerse any part of the tool into a liquid.

Accessories

The capacity of this tool is 6" (150 mm) diameter x 1/4" (6.35 mm) thick grinding or cutting wheels. It is important to choose the correct guards, backing pads and flanges to use with grinder accessories. See the **Accessories Chart** for information on choosing the correct accessories.

WARNING: Accessories must be rated for at least the speed recommended on the tool warning label. Wheels and other accessories running over their rated accessory speed may fly apart and cause injury. Threaded accessories must have a 5/8"-11 hub. Every unthreaded accessory must have a 7/8" (22.2 mm) arbor hole. If it does not, it may have been designed for a circular saw. Use only the accessories shown in the **Accessories Chart** of this manual. Accessory ratings must always be above tool speed as shown on tool nameplate.

WARNING: Handle and store all abrasive wheels carefully to prevent damage from thermal shock, heat, mechanical damage, etc. Store in a dry protected area free from high humidity, freezing temperatures or extreme temperature changes.

WARNING: Since accessories, other than those offered by DeWALT, have not been tested with this product, use of such accessories with this tool could be hazardous. To reduce the risk of injury, only DeWALT recommended accessories should be used with this product.

Recommended accessories for use with your tool are available at extra cost from your local dealer or authorized service center. If you need assistance in locating any accessory, please contact DeWALT Industrial Tool Co., 701 East Joppa Road, Towson, MD 21286, call 1-800-4-DeWALT (1-800-433-9258) or visit our website: www.dewalt.com.

Repairs

The charger and battery pack are not serviceable.

WARNING: To assure product SAFETY and RELIABILITY, repairs, maintenance and adjustment (including brush inspection and replacement) should

ENGLISH

be performed by a DeWALT factory service center or a DeWALT authorized service center. Always use identical replacement parts.

Register Online

Thank you for your purchase. Register your product now for:

- **WARRANTY SERVICE:** Registering your product will help you obtain more efficient warranty service in case there is a problem with your product.
- **CONFIRMATION OF OWNERSHIP:** In case of an insurance loss, such as fire, flood or theft, your registration of ownership will serve as your proof of purchase.
- **FOR YOUR SAFETY:** Registering your product will allow us to contact you in the unlikely event a safety notification is required under the Federal Consumer Safety Act.

Register online at www.dewalt.com/register.

Three Year Limited Warranty

DeWALT will repair, without charge, any defects due to faulty materials or workmanship for three years from the date of purchase. This warranty does not cover part failure due to normal wear or tool abuse. For further detail of warranty coverage and warranty repair information, visit www.dewalt.com or call 1-800-4-DeWALT (1-800-433-9258). This warranty does not apply to accessories or damage caused where repairs have been made or attempted by others. THIS LIMITED WARRANTY IS GIVEN IN LIEU OF ALL OTHERS, INCLUDING THE IMPLIED WARRANTY OF MERCHANTABILITY AND FITNESS FOR A PARTICULAR PURPOSE, AND EXCLUDES ALL INCIDENTAL OR CONSEQUENTIAL DAMAGES. Some states do not allow limitations on how long an implied warranty lasts or the exclusion or limitation of incidental or consequential damages, so these limitations may not apply to you. This warranty gives you specific legal rights and you may have other rights which vary in certain states or provinces.

In addition to the warranty, DeWALT tools are covered by our:

1 YEAR FREE SERVICE

DeWALT will maintain the tool and replace worn parts caused by normal use, for free, any time during the first year after purchase.

2 YEARS FREE SERVICE ON DEWALT BATTERY PACKS

DC9096, DCB120, DCB122, DCB124, DCB127, DCB201, DCB203BT, DCB207, DCB240, DCB361

3 YEARS FREE SERVICE ON DEWALT BATTERY PACKS

DCB200, DCB203, DCB204, DCB204BT, DCB205, DCB205BT, DCB206, DCB230, DCB606, DCB609, DCB612

NOTE: Battery warranty voided if the battery pack is tampered with in any way. DeWALT is not responsible for any injury caused by tampering and may prosecute warranty fraud to the fullest extent permitted by law.

90 DAY MONEY BACK GUARANTEE

If you are not completely satisfied with the performance of your DeWALT Power Tool, Laser, or Nailer for any reason, you

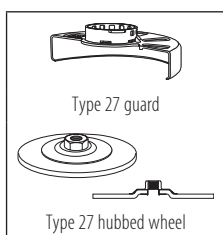
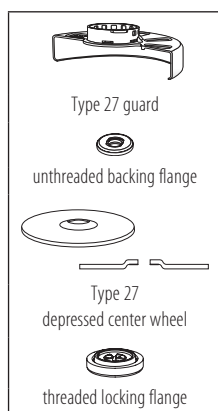
can return it within 90 days from the date of purchase with a receipt for a full refund – no questions asked.

LATIN AMERICA: This warranty does not apply to products sold in Latin America. For products sold in Latin America, see country specific warranty information contained in the packaging, call the local company or see website for warranty information.

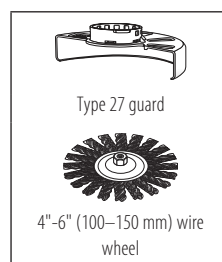
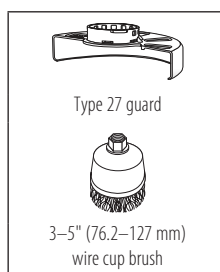
FREE WARNING LABEL REPLACEMENT: If your warning labels become illegible or are missing, call 1-800-4-DeWALT (1-800-433-9258) for a free replacement.

ACCESSORIES CHART

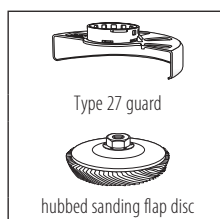
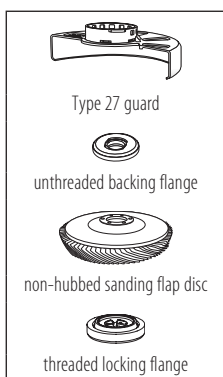
4.5" (115 mm) and 6" (150 mm) Grinding Wheels



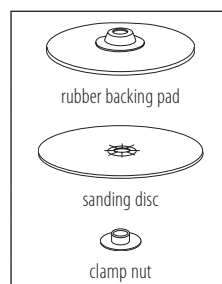
Wire Wheels



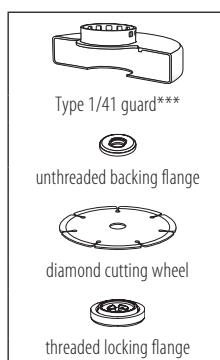
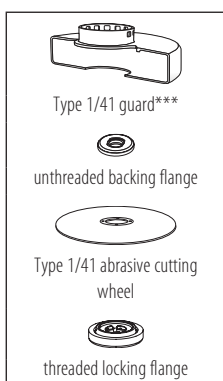
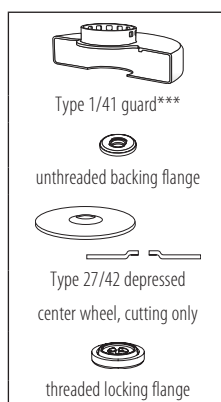
4.5" (115 mm) and 6" (150 mm) Sanding Flap Discs



Sanding Discs



4.5" (115 mm) and 6" (150 mm) Cutting Wheels







! Type 1/41 guards are intended for use with Type 1/41 cutting wheels and Type 27 wheels marked for cutting only. Grinding with wheels other than Type 27 and Type 29 require different accessory guards. Always use the smallest proper guard possible that does not contact the accessory.

*** **NOTE:** A Type 1/41 guard is available at extra cost from your local dealer or authorized service center.

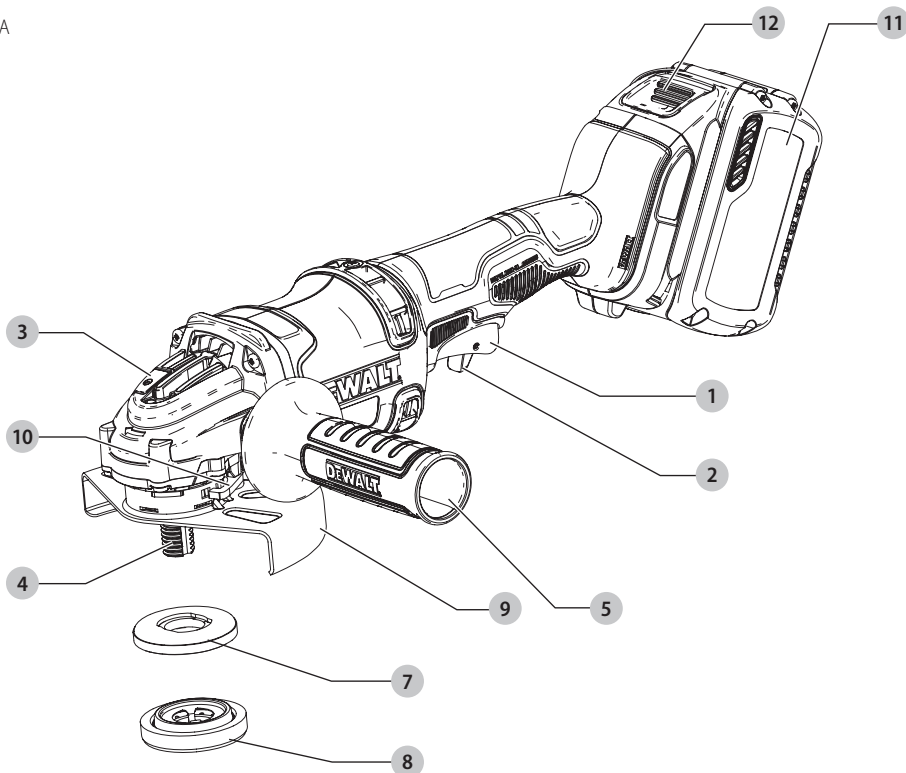
Définitions : symboles et termes d'alarmes sécurité

Ces guides d'utilisation utilisent les symboles et termes d'alarmes sécurité suivants pour vous prévenir de situations dangereuses et de risques de dommages corporels ou matériels.


-  **DANGER** : indique une situation dangereuse imminente qui, si elle n'est pas évitée, **entraînera la mort ou des blessures graves**.
-  **AVERTISSEMENT** : indique une situation potentiellement dangereuse qui, si elle n'est pas évitée, **pourrait entraîner la mort ou des blessures graves**.
-  **ATTENTION** : indique une situation potentiellement dangereuse qui, si elle n'est pas évitée, **pourrait entraîner des blessures légères ou modérées**.
-  (Si utilisé sans aucun terme) Indique un message propre à la sécurité.

AVIS : indique une pratique ne posant **aucun risque de dommages corporels** mais qui par contre, si rien n'est fait pour l'éviter, **pourrait poser des risques de dommages matériels**.

Fig. A



- 1 Gâchette
- 2 Levier de verrouillage
- 3 Bouton de verrouillage de la broche
- 4 Broche
- 5 Poignée latérale
- 6 Meule (Fig. H)
- 7 Bride de soutien non filetée
- 8 Bride de verrouillage
- 9 Carter de type 27 (x 2 : 150 et 115 mm [6 et 4,5 po])
- 10 Levier de déverrouillage du carter
- 11 Bloc-piles
- 12 Bouton de libération du bloc-piles

 **AVERTISSEMENT! lire tous les avertissements de sécurité et toutes les directives.** Le non-respect des avertissements et des directives pourrait se solder par un choc électrique, un incendie et/ou une blessure grave.

 **AVERTISSEMENT** : afin de réduire le risque de blessures, lire le mode d'emploi de l'outil.

Pour toute question ou remarque au sujet de cet outil ou de tout autre outil DeWALT, composez le numéro sans frais : 1-800-4-DeWALT (1-800-433-9258).

AVERTISSEMENTS GÉNÉRAUX SUR LA SÉCURITÉ DES OUTILS



AVERTISSEMENT : lisez tous les avertissements de sécurité, toutes les instructions, les illustrations et les caractéristiques fournis avec cet outil électrique. Ne pas suivre toutes les instructions comprises aux présentes peut conduire à un choc électrique, un incendie et/ou des blessures graves.

CONSERVER TOUS LES AVERTISSEMENTS ET TOUTES LES DIRECTIVES POUR UN USAGE ULTÉRIEUR

Le terme « outil électrique » cité dans les avertissements se rapporte à votre outil électrique à alimentation sur secteur (avec fil) ou par piles (sans fil).

1) Sécurité du lieu de travail

- Tenir l'aire de travail propre et bien éclairée.**
Les lieux encombrés ou sombres sont propices aux accidents.
- Ne pas faire fonctionner d'outils électriques dans un milieu déflagrant, tel qu'en présence de liquides, de gaz ou de poussières inflammables.**
Les outils électriques produisent des étincelles qui pourraient enflammer la poussière ou les vapeurs.
- Éloigner les enfants et les personnes à proximité pendant l'utilisation d'un outil électrique.**
Une distraction pourrait en faire perdre la maîtrise à l'utilisateur.

2) Sécurité en matière d'électricité

- Les fiches des outils électriques doivent correspondre à la prise. Ne jamais modifier la fiche d'aucune façon. Ne jamais utiliser de fiche d'adaptation avec un outil électrique mis à la terre.** Le risque de choc électrique sera réduit par l'utilisation de fiches non modifiées correspondant à la prise.
- Éviter tout contact physique avec des surfaces mises à la terre comme des tuyaux, des radiateurs, des cuisinières et des réfrigérateurs.**
Le risque de choc électrique est plus élevé si votre corps est mis à la terre.
- Ne pas exposer les outils électriques à la pluie ou à l'humidité.** La pénétration de l'eau dans un outil électrique augmente le risque de choc électrique.
- Ne pas utiliser le cordon de façon abusive. Ne jamais utiliser le cordon pour transporter, tirer ou débrancher un outil électrique. Tenir le cordon éloigné de la chaleur, de l'huile, des bords tranchants et des pièces mobiles.** Les cordons endommagés ou enchevêtrés augmentent les risques de choc électrique.
- Pour l'utilisation d'un outil électrique à l'extérieur, se servir d'une rallonge convenant à cette application.** L'utilisation d'une rallonge conçue pour l'extérieur réduira les risques de choc électrique.
- S'il est impossible d'éviter l'utilisation d'un outil électrique dans un endroit humide,**

brancher l'outil dans une prise ou sur un circuit d'alimentation dotés d'un disjoncteur de fuite à la terre (GFCI). L'utilisation de ce type de disjoncteur réduit les risques de choc électrique.

3) Sécurité personnelle

- Être vigilant, surveiller le travail effectué et faire preuve de jugement lorsqu'un outil électrique est utilisé. Ne pas utiliser d'outil électrique en cas de fatigue ou sous l'influence de drogues, d'alcool ou de médicaments.** Un simple moment d'inattention en utilisant un outil électrique peut entraîner des blessures corporelles graves.
- Utiliser des équipements de protection individuelle. Toujours porter une protection oculaire.** L'utilisation d'équipements de protection comme un masque antipoussière, des chaussures antidérapantes, un casque de sécurité ou des protecteurs auditifs lorsque la situation le requiert réduira les risques de blessures corporelles.
- Empêcher les démarrages intempestifs. S'assurer que l'interrupteur se trouve à la position d'arrêt avant de relier l'outil à une source d'alimentation et/ou d'insérer un bloc-piles, de ramasser ou de transporter l'outil.** Transporter un outil électrique alors que le doigt repose sur l'interrupteur ou brancher un outil électrique dont l'interrupteur est à la position de marche risque de provoquer un accident.
- Retirer toute clé de réglage ou clé avant de démarrer l'outil.** Une clé ou une clé de réglage attachée à une partie pivotante de l'outil électrique peut provoquer des blessures corporelles.
- Ne pas trop tendre les bras. Conserver son équilibre en tout temps.** Cela permet de mieux maîtriser l'outil électrique dans les situations imprévues.
- S'habiller de manière appropriée. Ne pas porter de vêtements amples ni de bijoux. Garder les cheveux, les vêtements et les gants à l'écart des pièces mobiles.** Les vêtements amples, les bijoux ou les cheveux longs risquent de rester coincés dans les pièces mobiles.
- Si des composants sont fournis pour le raccordement de dispositifs de dépoussiérage et de ramassage, s'assurer que ceux-ci sont bien raccordés et utilisés.** L'utilisation d'un dispositif de dépoussiérage peut réduire les dangers engendrés par les poussières.
- Ne pas laisser votre connaissance acquise suite à l'utilisation fréquente des outils vous permettre de baisser la garde et ignorer les principes de sécurité de l'outil.** Un acte irréfléchi peut causer une blessure grave en une fraction de seconde.

4) Utilisation et entretien d'un outil électrique

- Ne pas forcer un outil électrique. Utiliser l'outil électrique approprié à l'application.** L'outil électrique approprié effectuera un meilleur travail, de façon plus sûre et à la vitesse pour laquelle il a été conçu.

FRANÇAIS

- b) **Ne pas utiliser un outil électrique dont l'interrupteur est défectueux.** Tout outil électrique dont l'interrupteur est défectueux est dangereux et doit être réparé.
- c) **Débranchez la fiche de la prise électrique et, si amovible, retirez le bloc-piles de l'outil avant d'effectuer tout ajustement, changement et entreposage de celui-ci.** Ces mesures préventives réduisent les risques de démarrage accidentel de l'outil électrique.
- d) **Ranger les outils électriques hors de la portée des enfants et ne permettre à aucune personne n'étant pas familière avec un outil électrique ou son mode d'emploi d'utiliser cet outil.** Les outils électriques deviennent dangereux entre les mains d'utilisateurs inexpérimentés.
- e) **Gardez les poignées et surfaces d'emprise propres et libres de tout produit lubrifiant. Vérifier si les pièces mobiles sont mal alignées ou coincées, si des pièces sont brisées ou présentent toute autre condition susceptible de nuire au bon fonctionnement de l'outil électrique. En cas de dommage, faire réparer l'outil électrique avant toute nouvelle utilisation.** Beaucoup d'accidents sont causés par des outils électriques mal entretenus.
- f) **S'assurer que les outils de coupe sont aiguisés et propres.** Les outils de coupe bien entretenus et affûtés sont moins susceptibles de se coincer et sont plus faciles à maîtriser.
- g) **Utiliser l'outil électrique, les accessoires, les forets, etc. conformément aux présentes directives en tenant compte des conditions de travail et du travail à effectuer.** L'utilisation d'un outil électrique pour toute opération autre que celle pour laquelle il a été conçu est dangereuse.
- h) **Garder vos mains et les surfaces de prise sèches, propres et libres de graisse et de poussière.** Les mains et les surfaces de prise glissante ne permettent pas la manutention et le contrôle sécuritaires de l'outil dans les situations imprévues.

5) Utilisation et entretien du bloc-piles

- a) **Ne recharger l'outil qu'au moyen du chargeur précisé par le fabricant.** L'utilisation d'un chargeur qui convient à un type de bloc-piles risque de provoquer un incendie s'il est utilisé avec un autre type de bloc-piles.
- b) **Utiliser les outils électriques uniquement avec les blocs-piles conçus à cet effet.** L'utilisation de tout autre bloc-piles risque de causer des blessures ou un incendie.
- c) **Lorsque le bloc-piles n'est pas utilisé, le tenir éloigné des objets métalliques, notamment des trombones, de la monnaie, des clés, des clous, des vis ou autres petits objets métalliques qui peuvent établir une connexion entre les deux bornes.** Le court-circuit des bornes du bloc-piles risque de provoquer des brûlures ou un incendie.
- d) **En cas d'utilisation abusive, le liquide peut gicler hors du bloc-piles; éviter tout contact avec ce liquide. Si un contact accidentel se produit, laver**

à grande eau. Si le liquide entre en contact avec les yeux, obtenir également des soins médicaux. Le liquide qui gicle hors du bloc-piles peut provoquer des irritations ou des brûlures.

- e) **Ne pas utiliser de bloc-piles ou outil qui a été endommagé ou modifié.** Les unités endommagées ou modifiées peuvent avoir une réaction imprévisible résultant en un incendie, une explosion ou un potentiel de blessure.
- f) **Ne pas exposer de bloc-piles ou l'outil aux flammes ou à des températures excessives.** L'exposition aux flammes ou à une température au-dessus de 130 °C (265 °F) pourrait causer une explosion.
- g) **Suivre toutes les instructions de recharge et ne rechargez pas le bloc-piles ou l'outil à des températures hors de la plage de température indiquée dans les instructions.** Une recharge non conforme ou à une température hors des limites spécifiées peut endommager les piles et augmenter le risque d'incendie.

6) Réparation

- a) **Faire réparer l'outil électrique par un réparateur professionnel en n'utilisant que des pièces de rechange identiques.** Cela permettra de maintenir une utilisation sécuritaire de l'outil électrique.
- b) **Ne jamais réparer des blocs-piles endommagés.** La réparation de blocs-piles doit seulement être effectuée par le fabricant ou les fournisseurs de service autorisé.

CONSIGNES DE SÉCURITÉ POUR TOUTES LES OPÉRATIONS

Avertissements de sécurité communs à toutes les opérations de meulage, brossage à l'aide d'une brosse métallique, polissage ou de coupe

- a) **Cet outil électrique a été conçu pour servir de meuleuse, ponceuse, tronçonneuse ou brosse métallique. Lire toutes les consignes de sécurité, les directives, les illustrations et les caractéristiques techniques fournies avec cet outil électrique.** Tout manquement aux instructions suivantes pose des risques de chocs électriques, d'incendie et/ou de dommages corporels graves.
- b) **Les opérations de polissage ne sont pas recommandées avec cet outil électrique.** Toute utilisation de cet outil électrique dans un but autre que celui pour lequel il a été conçu est dangereuse et pose des risques de dommages corporels.
- c) **Ne pas utiliser d'accessoire non conçu spécifiquement pour cet outil ou qui n'aurait pas reçu une approbation spécifique du fabricant de l'outil.** En effet, il est parfois possible de fixer un accessoire à l'outil électrique; toutefois, cela ne garantit pas une utilisation sécuritaire.

- d) **Le régime nominal de l'accessoire doit être au moins égal au régime maximal inscrit sur l'outil électrique.** Les accessoires soumis à un régime plus élevé que celui pour lequel ils sont conçus peuvent se briser et être projetés.
- e) **Le diamètre externe et l'épaisseur de l'accessoire doivent être adéquats pour la capacité de l'outil électrique.** Il est impossible de protéger l'utilisateur d'un bris d'accessoire de mauvais calibre ou de le maîtriser correctement.
- f) **Les raccords filetés d'accessoires doivent correspondre au filetage de la broche de la meuleuse. Pour les accessoires à installation par brides, l'alésage central de l'accessoire doit correspondre au diamètre de référence de la bride.** Les accessoires ne correspondant pas au dispositif d'installation de l'outil électrique ne tourneront pas correctement, vibreront de façon excessive et pourront causer la perte de contrôle de l'outil.
- g) **Ne jamais utiliser un accessoire endommagé. Avant toute utilisation, inspecter la meule abrasive à la recherche d'éclats et de fissures; le tampon pour tout signe de fissures, déchirures ou d'usure excessive; et la brosse métallique, pour détecter s'il y a des fils métalliques fissurés ou détachés. En cas de chute de l'outil ou de l'accessoire, les inspecter à la recherche de dommages ou insérer un accessoire non endommagé. Après l'inspection et l'insertion d'un accessoire, se positionner (l'utilisateur ou quiconque aux alentours) hors du plan de rotation de l'accessoire et faire tourner, pendant une minute, l'outil électrique à plein régime, à vide.** Normalement, tout accessoire endommagé se brisera au cours de cette période d'essai.
- h) **Porter un équipement de protection individuelle. Utiliser un masque facial, des lunettes de sécurité ou des lunettes protectrices en fonction de l'application. Au besoin, porter un masque antipoussières, des protecteurs auditifs, des gants et un tablier d'atelier capable d'arrêter de petits fragments d'abrasifs ou de pièces.** La protection oculaire doit être en mesure d'arrêter tout débris produit par les diverses opérations et le masque antipoussières ou le respirateur, de filtrer les particules produites par l'opération en cours. Une exposition prolongée à un bruit d'intensité élevée pourrait causer une perte auditive.
- i) **Éloigner tout observateur à une distance sécuritaire de la zone de travail. Toute personne qui pénètre dans la zone de travail devra également porter un équipement de protection individuelle.** Il est possible qu'un fragment de pièce ou un accessoire brisé soit projeté et provoque des blessures au-delà de la zone immédiate de travail.
- j) **Tenir l'outil électrique par les surfaces isolées prévues à cet effet pendant toute utilisation où l'organe de coupe pourrait entrer en contact avec des fils électriques cachés.** Tout contact de l'organe de coupe avec un fil sous tension mettra les parties métalliques exposées de l'outil électrique sous tension et électrocutera l'utilisateur.
- k) **Positionner le cordon d'alimentation hors d'atteinte de l'accessoire en mouvement.** En cas de perte de maîtrise, il est possible de couper ou d'effiloche le cordon et la main ou le bras de l'utilisateur risqueraient d'être happés par l'accessoire en mouvement.
- l) **Ne jamais déposer l'outil électrique avant l'immobilisation complète de l'accessoire.** L'accessoire en mouvement risquerait de mordre dans la surface et de projeter l'outil électrique.
- m) **Mettre l'outil hors tension pour tout déplacement de celui-ci par l'utilisateur.** Un contact accidentel avec l'accessoire en mouvement pourrait happer les vêtements de l'opérateur et projeter l'accessoire contre son corps.
- n) **Nettoyer régulièrement les événements de l'outil électrique.** Le ventilateur du moteur aspirera la poussière à l'intérieur du boîtier. Une accumulation excessive de poudre métallique représente un danger d'origine électrique.
- o) **Ne pas faire fonctionner l'outil électrique à proximité de matières inflammables.** Les étincelles produites risquent de les enflammer.
- p) **Ne pas utiliser d'accessoires qui exigent l'utilisation d'un liquide de refroidissement.** L'utilisation d'eau ou de tout autre liquide de refroidissement pourrait se solder par une électrocution ou une secousse électrique.
- q) **Ne jamais utiliser de meules de type 11 (boisseau conique) sur cet outil.** L'utilisation d'accessoires inadéquats peut se solder par des blessures.
- r) **Toujours se servir de la poignée latérale. La fixer solidement.** La poignée latérale doit être utilisée pour maîtriser l'outil en tout temps.
- s) **Au démarrage de l'outil avec une meule ou une brosse métallique neuve, ou après l'avoir changée, maintenir l'outil dans un espace sécuritaire et le laisser tourner une minute.** Si le disque était affecté d'une fêlure ou d'un défaut caché, il éclaterait en moins d'une minute. Si des fils de la brosse métallique étaient lâches, cela serait alors détecté. Ne jamais démarrer l'outil lorsque quelqu'un se tient directement devant le disque, y compris l'utilisateur.
- t) **L'utilisation d'accessoires non spécifiés dans ce manuel n'est pas recommandée et peut être dangereuse.** L'utilisation de compresseurs pour faire fonctionner l'outil à une vitesse supérieure à sa vitesse nominale est prohibée.
- u) **Utiliser des serre-joints, ou tout autre moyen, pour fixer et soutenir le matériau sur une surface stable.** Tenir la pièce à la main ou contre son corps offre une stabilité insuffisante qui pourrait vous en faire perdre le contrôle.

FRANÇAIS

- v) **Protéger le disque contre tout choc ou traitement brutal.** Si c'était le cas, arrêter l'outil et vérifier que la meule ne comporte ni fissures ni défauts.
- w) Manipuler et stocker les meules en prenant systématiquement des précautions.
- x) **Ne pas utiliser cet outil de façon prolongée.** Les vibrations inhérentes à l'utilisation de cet outil posent des risques de dommages corporels permanents aux doigts, mains et bras. Utiliser des gants pour en atténuer l'impact, faire des pauses fréquentes, et en limiter l'usage journalier.
- y) **Prendre des précautions à proximité des événements, car ils cachent des pièces mobiles.** Les vêtements amples, bijoux ou cheveux longs pourraient s'y faire prendre.

L'effet de rebond et avertissements connexes

L'effet de rebond est une réaction soudaine d'une meule, d'un tampon, d'une brosse ou d'un tout autre accessoire, en mouvement, qui est pincé ou qui s'accroche. Un pincement ou un accrochage provoque un arrêt rapide de l'accessoire en mouvement qui, à son tour, projette l'outil électrique, hors de maîtrise, dans la direction opposée à la rotation de l'outil au point de grippage.

Par exemple, si une meule abrasive se pince ou s'accroche dans la pièce, le bord de la meule introduite au point de pincement peut mordre dans la surface de la pièce et projeter la meule hors de la rainure. La meule peut être projetée vers l'opérateur ou dans la direction opposée selon le sens de rotation de la meule au point de pincement. Il est également possible que les meules abrasives se brisent dans ces conditions.

Un effet de rebond est le résultat d'une mauvaise utilisation de l'outil et/ou de procédures ou conditions de fonctionnement incorrectes. Il peut être évité en prenant les précautions nécessaires telles que décrites ci-dessous :

- a) **Saisir fermement l'outil électrique et positionner le corps et les bras de sorte à résister à la force de l'effet de rebond. Utiliser toujours la poignée auxiliaire, s'il y en a une, pour contrôler au maximum l'effet de rebond ou le couple de réaction au démarrage.** Avec de bonnes précautions, l'opérateur est en mesure de contrôler le couple de réaction ou l'effet de rebond.
- b) **Ne jamais placer les mains près de l'accessoire en mouvement.** Il pourrait en effet être projeté sur celles-ci en cas de rebond.
- c) **Ne pas positionner le corps dans la trajectoire probable de l'outil électrique, en cas de rebond.** Au moment du grippage, l'outil sera projeté dans la direction opposée au déplacement de la meule.
- d) **Être particulièrement attentif lors de travaux dans un coin, sur des bords tranchants, etc. Éviter de faire rebondir l'accessoire. Éviter tout type de grippage de l'accessoire.** Un travail dans un coin ou sur des bords tranchants ou un travail en faisant rebondir l'accessoire provoquent souvent un

grippage et une perte de maîtrise de l'outil ou un effet de rebond.

- e) **Ne pas fixer de lame de tronçonneuse pour sculpter le bois ou de lame de scie dentée.** Ces types de lames provoquent des effets de rebond et des pertes de maîtrise fréquents.

Avertissements de sécurité spécifiques aux opérations de meulage et de coupe par abrasion

- a) **Utiliser uniquement les types de meules recommandés pour l'outil électrique ainsi que le capot protecteur particulier conçu pour la meule sélectionnée.** Il est impossible de bien protéger l'opérateur lors de l'utilisation de meules non conçues pour l'outil. En effet, le capot protecteur sera alors inadéquat et l'utilisation de la meule, dangereuse.
- b) **La surface de meulage des meules à moyeu déporté doit être posée sous la contre plaque de la lèvre du carter.** Le carter aide à protéger l'utilisateur contre toute projection de fragments et contre tout contact accidentel avec la meule ainsi qu'à protéger les vêtements des étincelles qui pourraient les enflammer.
- c) **Il faut fixer solidement le capot protecteur à l'outil électrique et le positionner pour maximiser la sécurité de l'opérateur, soit en minimisant la surface exposée de la meule en direction de l'opérateur.** En effet, le capot protecteur sert à protéger l'opérateur contre la projection de fragments de meule brisée et de contact accidentel avec celle-ci.
- d) **Utiliser uniquement les meules pour les applications prévues pour chacune d'entre elles. Par exemple : ne pas meuler avec le bord d'une meule tronçonneuse. Les meules tronçonneuses par abrasion sont conçues pour travailler en périphérie.** L'application de forces latérales sur ces meules risquerait de les faire éclater.
- e) **Toujours utiliser des brides de meule intactes, de la bonne dimension et de la forme appropriée pour la meule sélectionnée.** Les brides de meule appropriées supportent bien la meule et réduisent ainsi la possibilité d'un bris de meule. Les brides conçues pour les meules tronçonneuses pourraient différer des brides pour meules à ponçage.
- f) **Ne pas utiliser de meule usée en provenance d'outil de dimension plus importante.** Ces meules, prévues pour un outil électrique plus grand, ne conviennent pas au régime plus élevé d'un outil de plus petite dimension et pourraient éclater.

Avertissements de sécurité supplémentaires spécifiques aux opérations de coupe par abrasion

- a) **Ne pas « coincer » la meule tronçonneuse ou ne pas appliquer une pression excessive. Ne**

pas essayer de couper à une profondeur trop importante. Une contrainte excessive sur la meule accroîtra la charge et la possibilité de tordre ou de gripper la meule dans le trait de coupe et ainsi provoquer un effet de rebond ou un bris de la meule.

- b) **Ne pas positionner le corps sur la trajectoire de la meule en mouvement ni derrière celle-ci.** Lorsque la meule, au point de contact avec la pièce, s'éloigne du corps de l'opérateur, un effet de rebond potentiel risque de projeter la meule en rotation, ainsi que l'outil, en direction de l'utilisateur.
- c) **Lorsque la meule se grippe ou lors de l'arrêt d'une coupe pour une raison quelconque, mettre l'outil hors tension et maintenir l'outil immobile jusqu'à l'arrêt complet de la meule. Ne jamais essayer de retirer la meule tronçonneuse du trait de coupe alors que celle-ci est encore en mouvement. Une telle pratique risquerait de provoquer un effet de rebond.** Rechercher et prendre l'action corrective nécessaire pour éliminer les causes du grippage de la meule.
- d) **Ne pas reprendre la coupe avec la meule dans le trait de coupe de la pièce. Attendre que la meule soit à plein régime puis la réinsérer soigneusement dans le trait de coupe.** Si l'outil électrique redémarrait avec la meule appuyée sur la pièce, celle-ci risquerait de gripper, de se déplacer ou de reculer.
- e) **Pour réduire le risque de pincement ou de recul de la meule, soutenir les panneaux ou toute autre pièce surdimensionnée.** Les grandes pièces tendent à s'affaisser sous leur propre poids. Disposer des appuis sous la pièce, le long de la ligne de coupe et près du bord de la pièce, des deux côtés de la meule.
- f) **Faire particulièrement attention lors de la réalisation de « découpe en poche » dans des murs existants ou d'autres zones sans visibilité.** La portion de la meule faisant saillie risque de couper un tuyau d'alimentation en eau ou en gaz, des fils électriques ou des objets pouvant provoquer un effet de rebond.

Avertissements de sécurité spécifiques aux opérations de ponçage

- a) **Ne pas utiliser un papier pour disque abrasif excessivement surdimensionné. Respecter les recommandations des fabricants lors de la sélection du papier abrasif. Un papier abrasif plus grand que le plateau de ponçage représente un risque de laceration.** Le papier risque également de s'accrocher, de se déchirer ou de provoquer un effet de rebond.

Avertissements de sécurité spécifiques aux opérations utilisant une brosse métallique

- a) **Être attentif, car la brosse peut projeter des soies métalliques même lors de travaux normaux. Ne pas surcharger la brosse en appliquant une force excessive sur celle-ci.** Les soies métalliques pénètrent facilement les vêtements légers ou la peau.
- b) **Si l'utilisation d'un capot protecteur est recommandée avec la brosse métallique, s'assurer qu'il n'interfère pas avec la rotation de la brosse métallique à touret ou de la brosse métallique.** En cours de travail et sous la force centrifuge, le diamètre de la brosse métallique à touret ou de la brosse métallique s'accroît.
- c) **Des lunettes de protection ou une protection oculaire avec écrans latéraux et écran frontal total conforme à la norme ANSI Z87.1, doivent être portées par l'utilisateur ou tout autre individu dans un rayon de 15,2 m (50 pieds) de l'utilisation de ce produit.**

Consigne de sécurité supplémentaire



AVERTISSEMENT : ne jamais modifier l'outil électrique ni aucun de ses composants, car il y a risques de dommages corporels ou matériels.



AVERTISSEMENT : porter **SYSTEMATIQUEMENT** des lunettes de protection. Les lunettes courantes NE sont PAS des lunettes de protection. Utiliser aussi un masque antipoussières si la découpe doit en produire beaucoup. **PORTER SYSTÉMATIQUEMENT UN ÉQUIPEMENT DE SÉCURITÉ HOMOLOGUÉ :**

- Protection oculaire ANSI Z87.1 (CAN/CSA Z94.3) ;
- Protection auditive ANSI S12.6 (S3.19) ;
- Protection des voies respiratoires NIOSH/OSHA/MSHA.



AVERTISSEMENT : les scies, meules, ponceuses, perceuses ou autres outils de construction peuvent produire des poussières contenant des produits chimiques reconnus par l'État californien pour causer cancers, malformations congénitales ou être nocifs au système reproducteur. Parmi ces produits chimiques, on retrouve :

- Le plomb dans les peintures à base de plomb ;
- La silice cristallisée dans les briques et le ciment, ou autres produits de maçonnerie ; et
- L'arsenic et le chrome dans le bois ayant subi un traitement chimique.

Le risque associé de telles expositions varie selon la fréquence à laquelle on effectue ces travaux. Pour réduire toute exposition à ces produits : travailler dans un endroit bien aéré, en utilisant du matériel de sécurité homologué, tel un masque antipoussières spécialement conçu pour filtrer les particules microscopiques.

- **Limiter toute exposition prolongée avec les poussières provenant du ponçage, sciage, meulage,**

FRANÇAIS

perçage ou toute autre activité de construction. Porter des vêtements de protection et nettoyer à l'eau savonneuse les parties du corps exposées. Le fait de laisser la poussière pénétrer dans la bouche, les yeux ou la peau peut favoriser l'absorption de produits chimiques dangereux.

AVERTISSEMENT : cet outil peut produire et/ou répandre de la poussière susceptible de causer des dommages sérieux et permanents au système respiratoire. Utiliser systématiquement un appareil de protection des voies respiratoires homologué par le NIOSH ou l'OSHA. Diriger les particules dans le sens opposé au visage et au corps.

AVERTISSEMENT : pendant l'utilisation, porter systématiquement une protection auditive individuelle adéquate homologuée ANSI S12.6 (S3.19). Sous certaines conditions et suivant la durée d'utilisation, le bruit émanant de ce produit pourrait contribuer à une perte de l'acuité auditive.

ATTENTION : après utilisation, ranger l'outil sur son côté, sur une surface stable, là où il ne pourra ni faire trébucher ni faire chuter quelqu'un. Certains outils équipés d'un large bloc-piles peuvent tenir à la verticale sur celui-ci, mais manquent alors de stabilité.

L'étiquette apposée sur votre outil peut inclure les symboles suivants. Les symboles et leur définition sont indiqués ci-après :

V..... volts	W..... watts
Hz..... hertz	~ or AC..... courant alternatif
min..... minutes	⎓ or AC/DC..... courant alternatif ou continu
— or DC..... courant continu	□..... fabrication classe I (double isolation)
⚠..... fabrication classe I (mis à la terre)	no..... vitesse à vide
.../min..... par minute	n..... vitesse nominale
BPM..... battements par minute	⊖..... borne de terre
IPM..... impacts par minute	⚠..... symbole d'avertissement
RPM..... revolutions per minute	⚠..... radiation visible
sfpm..... pieds linéaires par minute (plpm)	⊖..... protection respiratoire
SPM (FPM)..... fréquence par minute	⊖..... protection oculaire
A..... ampères	⊖..... protection auditive

BLOCS-PILES ET CHARGEURS

Le bloc-piles n'est pas totalement chargé d'usine. Avant d'utiliser le bloc-piles et le chargeur, lire les consignes de sécurité ci-après puis suivre la procédure de chargement indiquée. Pour commander un bloc-piles de recharge, s'assurer d'en inclure le numéro de catalogue et la tension. Cet outil fonctionne avec un chargeur DeWALT. S'assurer de bien lire toutes les consignes de sécurité avant toute utilisation du chargeur. Consulter le tableau en fin de manuel pour connaître les compatibilités entre chargeurs et blocs-piles.

LIRE TOUTES LES CONSIGNES

Consignes importantes de sécurité les blocs-piles

AVERTISSEMENT : lire toutes les instructions et toutes les consignes de sécurité propres au bloc-piles, au chargeur et à l'outil électrique. Tout manquement aux avertissements et instructions pose des risques de décharges électriques, d'incendie et/ou de blessures graves.

- **Ne pas recharger ou utiliser un bloc-piles en milieu déflagrant, en présence, par exemple, de poussières, gaz ou liquides inflammables.** Le fait d'insérer ou retirer un bloc-piles de son chargeur pourrait causer l'inflammation de poussières ou d'émanations.
- **NE JAMAIS forcer l'insertion d'un bloc-piles dans un chargeur. NE modifier un bloc-piles d'AUCUNE façon pour le faire rentrer dans un chargeur incompatible, car il pourrait se briser et causer des dommages corporels graves.** Consulter le tableau en dernière page de ce manuel pour connaître les compatibilités entre chargeurs et blocs-piles.
- Recharger les blocs-piles exclusivement dans des chargeurs DeWALT.
- **NE PAS** éclabousser le bloc-piles ou l'immerger dans l'eau ou dans tout autre liquide.
- **Ne pas entreposer ou utiliser l'appareil et le bloc-piles en présence de températures ambiantes pouvant excéder 40 °C (104 °F) (comme dans des hangars ou des bâtiments métalliques l'été).** Pour préserver leur durée de vie, entreposer les blocs-piles dans un endroit frais et sec.

REMARQUE : ne pas mettre un bloc-piles dans un outil dont la gâchette est verrouillée en position de marche. Ne jamais bloquer l'interrupteur en position de MARCHE.

- **Ne pas exposer le bloc-piles ou l'outil/l'appareil au feu ou à une température excessive.** L'exposition au feu ou à une température au-dessus de 130°C (265°F) pourrait entraîner une explosion.
- **Ne pas incinérer le bloc-piles même s'il est sévèrement endommagé ou complètement usagé, car il pourrait exploser et causer un incendie.** Pendant l'incinération des blocs-piles au lithium-ion, des vapeurs et matières toxiques sont dégagées.
- **En cas de contact du liquide de la pile avec la peau, rincer immédiatement au savon doux et à l'eau.** En cas de contact oculaire, rincer l'œil ouvert à l'eau claire une quinzaine de minutes ou jusqu'à ce que l'irritation cesse. Si des soins médicaux s'avéraient nécessaires, noter que l'électrolyte de la pile est composé d'un mélange de carbonates organiques liquides et de sels de lithium.
- **Le contenu des cellules d'une pile ouverte peut causer une irritation respiratoire.** En cas d'inhalation, exposer l'individu à l'air libre. Si les symptômes persistent, consulter un médecin.

AVERTISSEMENT : risques de brûlure. Le liquide de la pile peut s'enflammer s'il est exposé à des étincelles ou à une flamme.



AVERTISSEMENT : risques d'incendie. Ne jamais tenter d'ouvrir le bloc-piles pour quelque raison que ce soit. Si le boîtier du bloc-piles est fissuré ou endommagé, ne pas l'insérer dans un chargeur. Ne pas écraser, laisser tomber, ou endommager les blocs-piles. Ne pas utiliser un bloc-piles ou un chargeur qui a reçu un choc violent, ou si l'appareil est tombé, a été écrasé ou endommagé de quelque façon que ce soit (p. ex. percé par un clou, frappé d'un coup de marteau, piétiné). Les blocs-piles endommagés doivent être renvoyés à un centre de réparation pour y être recyclés.

Transport



AVERTISSEMENT : risques d'incendie. Au moment de ranger ou transporter le bloc-piles, veiller à protéger ses bornes à découvert de tout objet métallique. Par exemple, éviter de placer le bloc-piles dans un tablier, une poche, une boîte à outils ou un tiroir, etc. contenant des objets tels que clous, vis, clés, etc. **Le fait de transporter des blocs-piles comporte des risques d'incendie, car les bornes des piles pourraient entrer, par inadvertance, en contact avec des objets conducteurs, tels que : clés, pièces de monnaie, outils ou autres.** La réglementation sur les produits dangereux (Hazardous Material Regulations) du département américain des transports interdit, en fait, le transport des blocs-piles dans les commerces ou dans les avions dans les bagages de cabine. À MOINS qu'ils ne soient correctement protégés de tout court-circuit. Aussi lors du transport individuel de blocs-piles, s'assurer que leurs bornes sont bien protégées et isolées de tout matériau pouvant entrer en contact avec elles et provoquer un court-circuit.

REMARQUE : il ne faut pas laisser de piles au lithium-ion dans les bagages enregistrés.

Expédition du bloc-piles DeWALT FLEXVOLT^{MC}

Le bloc-piles DeWALT FLEXVOLT^{MC} possède deux modes :

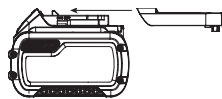
Utilisation et Expédition.

Mode Utilisation : lorsque le bloc-piles FLEXVOLT^{MC} est par lui-même ou dans un produit DeWALT 20 v max*, il fonctionnera comme un bloc-piles de 20 v max*. Lorsque le bloc-piles FLEXVOLT^{MC} est dans un produit de 60 v max* ou 120 v max* (deux blocs-piles de 60 v max*), il fonctionnera comme un bloc-piles de 60 v max*..

Mode Expédition

lorsque le capuchon est inséré sur le bloc-piles FLEXVOLT^{MC}, le bloc-piles est en mode Expédition. Les modules de cellules sont électriquement déconnectés du bloc le faisant correspondre à trois blocs-piles d'un wattheure (Wh) inférieur comparé à un bloc-piles de wattheure élevé. Ce passage à trois blocs-piles à un wattheure inférieur peut permettre au bloc-piles d'être exempté de suivre certaines directives d'expédition imposées sur les blocs-piles de wattheure supérieur.

L'étiquette du bloc-piles donne deux estimations de wattheures (se reporter à l'exemple). Selon comment le



bloc-piles est expédié, l'estimation appropriée de wattheure doit être utilisée pour déterminer les modalités d'expédition lui correspondant. Si le capuchon d'expédition est utilisé, le bloc-piles sera considéré comme 3 blocs-piles au wattheure indiqué pour « Expédition ». S'il est expédié sans le capuchon ou dans un outil, le bloc-piles sera considéré comme un seul bloc-piles au wattheure indiqué à côté de « Utilisation ».

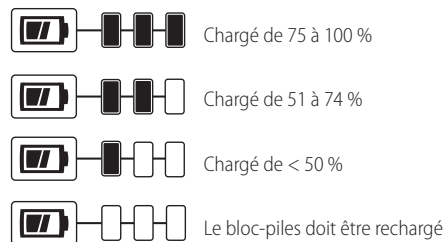
exemple d'étiquetage d'utilisation et d'expédition

USE: 120 Wh Shipping: 3 x 40 Wh

Témoin de Charge du Bloc-Piles (Fig. B)

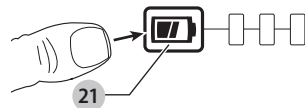
Certains blocs-piles DeWALT possèdent un témoin de charge qui consiste en trois voyants Del verts indiquant le niveau de charge du bloc-piles.

Le témoin de charge indique approximativement le niveau de charge restant dans le bloc-piles en fonction des voyants suivants :



Pour activer le témoin de charge, maintenez appuyé le bouton du témoin de charge **21**. Une combinaison des trois voyants Del verts s'allumera indiquant le niveau de charge. Lorsque le niveau de charge du bloc-pile atteint la limite minimale d'utilisation, le témoin de charge reste éteint et le bloc-piles doit être rechargé.

Fig. B



REMARQUE : le témoin de charge ne fait qu'indiquer le niveau de charge du bloc-piles. Il ne donne aucune indication quant au fonctionnement de l'outil. Son propre fonctionnement pourra aussi varier en fonction des composants produit, de la température et de l'application d'utilisation.

Pour plus d'informations quant au témoin de charge du bloc-piles, veuillez appeler le 1-800-4-DeWALT (1-800-433-9258) ou vous rendre sur notre site www.dewalt.com.

Le sceau SRPRC®

Le sceau SRPRC® (Société de recyclage des piles rechargeables du Canada) apposé sur une pile au nickel-cadmium, à hydrure métallique de nickel ou au lithium-ion (ou un bloc-piles) indique que les coûts de recyclage de ces derniers en fin d'utilisation ont déjà été réglés par DeWALT. Dans certaines régions, la mise au rebut



FRANÇAIS

ou aux ordures municipales des piles au nickel-cadmium, à l'hydrure métallique de nickel ou au lithium-ion, est illégale ; le programme de l'Appel à Recycler® constitue donc une solution pratique et écologique.

Appel à Recycler Canada, Inc., en collaboration avec DeWALT et d'autres utilisateurs de piles, a mis sur pied de programme aux États-Unis et au Canada pour faciliter la collecte des piles au nickel-cadmium, à l'hydrure métallique de nickel ou au lithium-ion usagées. Aidez-nous à protéger l'environnement et à conserver nos ressources naturelles en renvoyant les piles au nickel-cadmium, à l'hydrure métallique de nickel ou au lithium-ion usagées à un centre de réparation autorisé DeWALT ou chez votre détaillant afin qu'elles y soient recyclées. On peut en outre se renseigner auprès d'un centre de recyclage local pour connaître d'autres sites les acceptant.

SRPRC® est une marque déposée de l'Appel à Recycler Canada, Inc.

Directives de sécurité importantes propres à tous les chargeurs de piles

⚠ AVERTISSEMENT : lire toutes les instructions et toutes les consignes de sécurité propres aux bloc-piles, au chargeur et à l'outil électrique. Tout manquement aux avertissements et instructions pose des risques de décharges électriques, d'incendie et/ou de blessures graves.

- **NE PAS tenter de charger de bloc-piles avec des chargeurs autres que ceux décrits dans ce manuel.**
Le chargeur et son bloc-piles ont été conçus tout spécialement pour fonctionner ensemble.
- **Ces chargeurs n'ont pas été conçus pour une utilisation autre que recharger les blocs-piles rechargeables DeWALT.** Toute autre utilisation comporte des risques d'incendie, de chocs électriques ou d'électrocution.
- **Protéger le chargeur de la pluie ou de la neige.**
- **Tirer sur la fiche plutôt que sur le cordon pour débrancher le chargeur.** Cela permet de réduire les risques d'endommager la fiche ou le cordon d'alimentation.
- **S'assurer que le cordon est protégé de manière à ce que personne ne marche ni ne trébuche dessus, ou à ce qu'il ne soit ni endommagé ni soumis à aucune tension.**
- **N'utiliser une rallonge qu'en cas de nécessité absolue.** L'utilisation d'une rallonge inadéquate comporte des risques d'incendie, de chocs électriques ou d'électrocution.
- **Pour utiliser un chargeur à l'extérieur, le placer dans un endroit sec et utiliser une rallonge conçue pour l'extérieur.** L'utilisation d'une rallonge conçue pour l'extérieur réduit les risques de chocs électriques.
- **Pour la sécurité de l'utilisateur, utiliser une rallonge de calibre adéquat (AWG, American Wire Gauge [calibrage américain normalisé des fils électriques]).** Plus le calibre est petit, et plus sa capacité est grande. Un calibre 16, par exemple, a une capacité supérieure à un

calibre 18. L'usage d'une rallonge de calibre insuffisant causera une chute de tension qui entraînera perte de puissance et surchauffe. Si plus d'une rallonge est utilisée pour obtenir une certaine longueur, s'assurer que chaque rallonge présente au moins le calibre de fil minimum. Le tableau ci-dessous illustre les calibres à utiliser selon la longueur de rallonge et l'intensité nominale indiquée sur la plaque signalétique. En cas de doute, utiliser le calibre suivant. Plus le calibre est petit, plus la rallonge peut supporter de courant.

Calibre minimum pour les cordons d'alimentation

Volts		Longueur totale du cordon d'alimentation en mètre (pieds)			
120 V		7,6 (25)	15,2 (50)	30,5 (100)	45,7 (150)
240 V		15,2 (50)	30,5 (100)	61,0 (200)	91,4 (300)
Ampères		AWG			
Plus que	Pas plus que				
0	6	18	16	16	14
6	10	18	16	14	12
10	12	16	16	14	12
12	16	14	12	Non recommandé	

⚠ AVERTISSEMENT : si la fiche ou le cordon d'alimentation est endommagé, il doit être remplacé par le fabricant ou son représentant ou par une personne tout aussi qualifiée afin d'éviter le danger.

- **Ne poser aucun objet sur le chargeur. Ne pas mettre le chargeur sur une surface molle qui pourrait en bloquer la ventilation et provoquer une surchauffe interne.** Éloigner le chargeur de toute source de chaleur. Le chargeur dispose d'orifices d'aération sur le dessus et le dessous du boîtier.
- **Ne pas le faire fonctionner avec un cordon d'alimentation ou une fiche endommagée.**
- **Ne pas utiliser le chargeur s'il a reçu un coup, fait une chute ou a été endommagé de quelque façon que ce soit.** Le ramener dans un centre de réparation agréé.
- **Ne pas démonter le chargeur. Pour tout service ou réparation, le rapporter dans un centre de réparation agréé.** Le fait de le réassembler de façon incorrecte comporte des risques de chocs électriques, d'électrocution et d'incendie.
- **Débrancher le chargeur du secteur avant tout entretien. Cela réduira tout risque de chocs électriques.** Le fait de retirer le bloc-piles ne réduira pas ces risques.
- **NE JAMAIS tenter de connecter 2 chargeurs ensemble.**
- **Le chargeur a été conçu pour être alimenté en courant électrique domestique standard de 120 volts. Ne pas tenter de l'utiliser avec toute autre tension.** Cela ne s'applique pas aux chargeurs de postes mobiles.

⚠ AVERTISSEMENT : risques de chocs électriques. Ne laisser aucun liquide pénétrer dans le chargeur, des chocs électriques pourraient en résulter.

⚠ AVERTISSEMENT : risques de brûlure. Ne submerger le bloc-piles dans aucun liquide et le protéger de toute infiltration de liquide. Ne jamais tenter d'ouvrir le

bloc-piles pour quelque raison que ce soit. Si le boîtier plastique du bloc-piles est brisé ou fissuré, le retourner dans un centre de réparation pour y être recyclé.



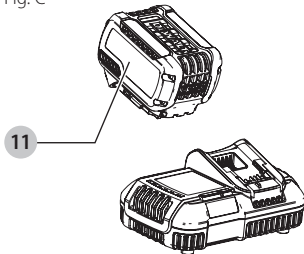
ATTENTION : risques de brûlure. Pour réduire tout risque de dommages corporels, ne recharger que des bloc-piles rechargeables DeWALT. Tout autre type de piles pourrait exploser et causer des dommages corporels et matériels.

AVIS : sous certaines conditions, lorsque le chargeur est connecté au bloc d'alimentation, des matériaux étrangers pourraient court-circuiter le chargeur. Les corps étrangers conducteurs tels que (mais pas limité à) poussières de rectification, débris métalliques, laine d'acier, feuilles d'aluminium, ou toute accumulation de particules métalliques doivent être maintenus à distance des orifices du chargeur. Débrancher systématiquement le chargeur lorsque le bloc-piles n'y est pas inséré. Débrancher systématiquement le chargeur avant tout entretien.

Chargement du bloc-piles (Fig. A, C)

1. Branchez le chargeur dans la prise appropriée avant d'y insérer le bloc-piles.

Fig. C



2. Insérer le bloc-piles **11** dans le chargeur, en vous assurant qu'il y est correctement calé. Le voyant rouge (charge) clignotera de façon continue indiquant que le cycle de chargement a commencé.
3. En fin de charge, le voyant rouge restera ALLUMÉ de façon continue. Le bloc-piles est alors complètement rechargé et peut être utilisé ou laissé dans le chargeur. Pour retirer le bloc-piles du chargeur, appuyez sur le bouton de libération des piles **2** sur le bloc-piles, puis glissez le bloc-piles hors du chargeur.

REMARQUE : pour assurer des performances optimales et une durée de vie maximale des blocs-piles au lithium-ion, recharger pleinement le bloc-piles avant toute utilisation initiale.

Utilisation du chargeur

Reportez-vous aux indications du tableau ci-dessous pour consulter le statut de charge du bloc-piles.

DCB107, DCB112, DCB113, DCB115, DCB118, DCB132, DCB1106

	Bloc-piles en Cours de Chargement		
	Bloc-piles Chargé		
	Suspension de Charge Contre le Chaud/Froid*		

***DCB107, DCB112, DCB113, DCB115, DCB118, DCB132, DCB1106:** le voyant rouge ne cessera de clignoter, mais un voyant jaune restera allumé pendant cette opération. Lorsque le bloc-piles aura repris une température appropriée, le voyant jaune s'éteindra et le chargeur reprendra sa procédure de charge.

Le chargeur ne pourront recharger des blocs-piles défectueux. Le chargeur indiquera qu'un bloc-piles est défectueux en refusant de s'allumer.

REMARQUE : cela pourra aussi indiquer un problème avec le chargeur.

Si le problème provient du chargeur, faites vérifier le chargeur et le bloc-piles chez un centre de réparation agréé.

Fonction de suspension de charge contre le chaud/froid

Lorsque le chargeur détecte un bloc-piles trop chaud ou trop froid, il démarre automatiquement la fonction de suspension de charge contre le chaud, suspendant le chargement jusqu'à ce que le bloc-piles ait repris une température appropriée. Le chargeur ensuite se remettra automatiquement en mode de chargement. Cette caractéristique assure aux blocs-piles une durée de vie maximale.

Un bloc-piles froid se rechargera moins vite qu'un bloc-piles chaud. Le bloc-piles se rechargera à ce rythme plus lent tout au cours du cycle de charge et ne retournera pas à sa vitesse maximale de charge même s'il venait à se réchauffer.

Le chargeur DCB118 est équipé d'un ventilateur interne destiné à refroidir le bloc-piles. Le ventilateur se mettra automatiquement en marche chaque fois que le bloc-piles aura besoin de se refroidir.

N'utilisez jamais le chargeur si le ventilateur ne fonctionne pas correctement ou si ses fentes d'aération sont bloquées. Protégez systématiquement l'intérieur du chargeur de tout objet étranger.

Système de protection électronique

Les appareils au Li-Ion sont équipés d'un système électronique de protection pour protéger les blocs-piles de toute surcharge, surchauffe ou fuite importante.

L'appareil s'arrêtera automatiquement dès que le système électronique de protection sera activé. Si c'était le cas, placez le bloc-piles au lithium-ion sur son chargeur jusqu'à ce qu'il soit complètement rechargé.

Installation murale

DCB107, DCB112, DCB113, DCB115, DCB118, DCB132, DCB1106

Ces chargeurs ont été conçus pour une installation murale ou pour être posés sur une table ou une surface de travail.

FRANÇAIS

Pour une fixation murale, installez le chargeur à proximité d'une prise électrique, et à l'écart de coins ou de toute autre obstruction au passage de l'air. Utilisez l'arrière du chargeur pour marquer l'emplacement des vis de montage sur le mur. Fixez soigneusement le chargeur à l'aide de vis autoforeuses (vendues séparément) d'au moins 25,4 mm (1 po) de long, et de diamètre de tête de 7-9 mm (0,28-0,35 po), que vous visserez dans le bois en laissant une longueur optimale d'environ 5,5 mm (7/32 po) exposée. Alignez les orifices à l'arrière du chargeur sur les vis exposées et insérez à fond ces dernières dans les orifices.

Instructions d'entretien du chargeur



AVERTISSEMENT : *risques de chocs électriques. Débrancher le chargeur de la prise de courant alternatif avant tout entretien. Éliminer toute saleté ou graisse de la surface externe du chargeur à l'aide d'un chiffon ou d'une brosse non métallique douce. N'utiliser ni eau ni aucun nettoyant liquide.*

Remarques importantes concernant le chargement

1. Pour augmenter la durée de vie du bloc-piles et optimiser son rendement, le recharger à une température ambiante de 18 ° à 24 °C (65 °F à 75 °F). NE PAS charger lorsque le bloc-piles est en dessous de +4,5 °C (+40°F) ou au-dessus de +40 °C (+104 °F). C'est important pour prévenir tout dommage sérieux au bloc-piles.
2. Le chargeur et son bloc-piles peuvent devenir chauds au toucher pendant la charge. C'est normal et ne représente en aucun cas une défaillance du produit. Pour faciliter le refroidissement du bloc-piles après utilisation, éviter de laisser le chargeur ou le bloc-piles dans un local où la température ambiante est élevée comme dans un hangar métallique ou une remorque non isolée.
3. Si le bloc-piles ne se recharge pas correctement :
 - a. Vérifier le bon fonctionnement de la prise en y branchant une lampe ou tout autre appareil électrique.
 - b. Vérifier que la prise n'est pas contrôlée par un interrupteur qui coupe le courant lorsqu'on éteint les lumières.
 - c. Déplacer le chargeur et le bloc-piles dans un local où la température ambiante se trouve entre environ 18 ° et 24 °C (65 °F et 75 °F).
 - d. Si le problème persiste, amener l'outil, le bloc-piles et son chargeur dans un centre de réparation local.
4. Recharger le bloc-piles lorsqu'il ne produit plus assez de puissance pour effectuer un travail qu'il faisait facilement auparavant. NE PAS CONTINUER à l'utiliser dans ces conditions. Suivre la procédure de charge. Si nécessaire, il est aussi possible de recharger un bloc-piles partiellement déchargé sans effet nuisible sur le bloc-piles.
5. Les corps étrangers conducteurs tels que (mais pas limité à) poussières de rectification, débris

métalliques, laine d'acier, feuilles d'aluminium, ou toute accumulation de particules métalliques doivent être maintenus à distance des orifices du chargeur. Débrancher systématiquement le chargeur lorsque le bloc-piles n'y est pas inséré. Débrancher systématiquement le chargeur avant tout entretien.

6. Ne pas congeler ou immerger le chargeur dans l'eau ou tout autre liquide.

Recommandations de stockage

1. Le lieu idéal de rangement est un lieu frais et sec, à l'abri de toute lumière solaire directe et de toute température excessive.
2. Pour un stockage prolongé, il est recommandé d'entreposer le bloc-piles pleinement chargé dans un lieu frais et sec, hors du chargeur pour optimiser les résultats.

REMARQUE : les blocs-piles ne devraient pas être entreposés complètement déchargés. Il sera nécessaire de recharger le bloc-piles avant réutilisation.

CONSERVER CES CONSIGNES POUR UTILISATION ULTÉRIEURE

Usage prévu

Ces petites meuleuses angulaires industrielles ont été conçues pour le meulage, le ponçage, le brossage métallique et le tronçonnage professionnels sur divers chantiers de travail (ex. chantiers de construction).

NE PAS l'utiliser en milieu ambiant humide ou en présence de liquides ou de gaz inflammables.

Ces petites meuleuses angulaires industrielles sont des outils électriques de professionnels. **NE PAS** les laisser à la portée des enfants. Une supervision est nécessaire auprès de tout utilisateur non expérimenté.

E-Clutch^{MC} (Embrayage électronique)

Cet outil est équipé d'un E-Clutch^{MC} (embrayage électronique), qui, en cas de surcharge de l'outil, l'arrête automatiquement pour réduire tout impact de retour de couple sur l'utilisateur. L'interrupteur devra être réinitialisé (arrêté puis rallumé) pour remettre l'outil en marche.

Kickback Brake^{MC} (Frein anti-rebonds)

En cas de grippage, calage ou accrochage, le frein électronique est activé au maximum pour rapidement arrêter la meule, réduire tout mouvement de la meuleuse et l'arrêter. L'interrupteur doit être réinitialisé (éteint puis rallumé) pour remettre l'outil en marche.

Dispositif anti-surcharges Power-OFF^{MC} (Coupe-circuit)

L'alimentation au moteur sera réduite en cas de surcharge moteur. Si la surcharge moteur continue, l'outil s'arrêtera. L'interrupteur devra être réinitialisé (arrêté puis rallumé) pour remettre l'outil en marche. L'outil s'arrêtera chaque fois que le courant de surcharge maximum sera atteint (seuil de tolérance du moteur). Si les coupures pour cause de surcharges persistent, appliquez moins de force/poids sur l'outil jusqu'à ce qu'il fonctionne sans que la protection anti-surcharge s'enclenche.

Démarrage électronique en douceur

Cette fonctionnalité limite la vitesse initiale de démarrage, permettant à l'outil d'augmenter sa vitesse graduellement sur une seconde.

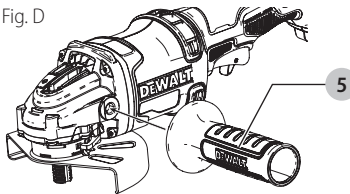
ASSEMBLAGE ET RÉGLAGES

⚠ AVERTISSEMENT : pour réduire tout risque de dommages corporels graves, arrêter l'outil et retirer le bloc-piles avant tout réglage ou avant de retirer ou installer toute pièce ou tout accessoire. Tout démarrage accidentel comporte des risques de dommages corporels.

Installation de la poignée latérale (Fig. D)

La poignée latérale **5** peut être installée sur l'un ou l'autre côté du carter d'engrenage dans les orifices filetés. Avant toute utilisation de l'outil, vérifiez que la poignée est solidement arrimée.

Fig. D

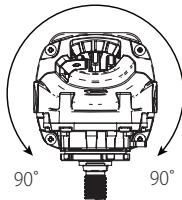


Inversion du carter d'engrenage (Fig. E)

Pour un maximum de confort, le carter d'engrenage pourra pivoter à 90° lors de la coupe.

1. Retirez les quatre vis des coins rattachant le carter d'engrenage au boîtier du moteur.
2. Sans séparer complètement le carter d'engrenage du boîtier du moteur, faites pivoter la tête du carter d'engrenage sur la position désirée.

Fig. E



REMARQUE : si le carter d'engrenage et le boîtier du moteur venaient à être séparés de plus de 3,17 mm (1/8 po), rapporter l'outil chez un centre de service DeWALT pour révision et réassemblage. Tout manquement à cette directive augmente les risques de défaillances du moteur et des roulements.

3. Réinstallez les vis pour rattacher le carter d'engrenage au boîtier du moteur. Resserrez les vis à un couple de 12,5 po/lb. Trop serrer les vis pourrait abîmer leur filetage.

Carters de protection

⚠ ATTENTION : utiliser systématiquement les carters de protection lors de l'emploi de meules, de meules à tronçonner, de disques de ponçage à lamelles, de brosses métalliques ou circulaires. L'outil peut être utilisé sans carter seulement lors du ponçage avec des disques abrasifs conventionnels. Reportez-vous à la Figure A pour observer les carters

fournis avec l'outil. Certaines applications pourront nécessiter l'achat d'un carter adapté auprès de votre distributeur ou centre de réparation agréé local.

REMARQUE : le meulage angulaire et la découpe peuvent être exécutés avec des meules de type 27 spécifiant qu'elles ont été spécialement conçues à cet effet. Les meules d'une épaisseur de 6,35 mm (1/4 po) ont été conçues pour le meulage de finition, alors qu'il est nécessaire de vérifier sur les étiquettes du fabricant des meules de type 27, plus fines, si elles peuvent bien être utilisées pour le meulage de finition, ou seulement pour le meulage angulaire/la découpe. Un carter de protection de type 1/41 doit être utilisé avec toutes les meules interdites pour le meulage de finition. Il est également possible de découper avec des meules de type 1/41 et un carter de type 1/41.

REMARQUE : se reporter au **Tableau des accessoires** pour sélectionner la bonne combinaison de carter de protection accessoire.

Réglage et installation du carter de protection (Fig. F, G)

⚠ ATTENTION : éteignez et débranchez l'outil avant d'effectuer tout réglage ou de retirer ou d'installer toute pièce ou accessoire.

⚠ ATTENTION : AVANT de mettre l'outil en marche, contrôlez quel réglage du carter de protection a été défini pour votre outil.

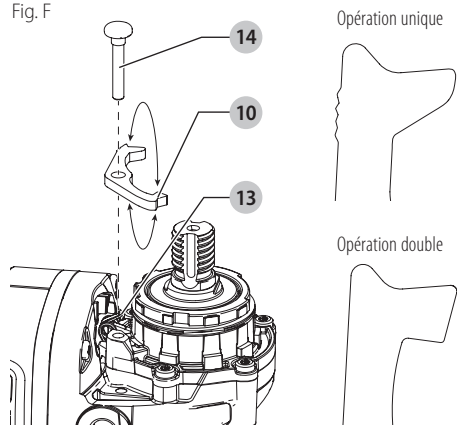
Options de réglage

Pour régler le carter de protection, le levier de libération du carter **10** s'engage dans l'un des trous d'alignement **17** sur le collier du carter en utilisant la fonction à cliquet. Votre meuleuse offre deux options de réglage.

- **One-touch™:** Dans cette position c'est le côté oblique qui est engagé et amené jusqu'au trou d'alignement suivant lorsque le carter est tourné dans le sens des aiguilles d'une montre (axe face à l'utilisateur) mais il se verrouille automatiquement dans le sens inverse des aiguilles d'une montre.
- **Two-touch™:** Dans cette position c'est le côté droit et carré qui est engagé. Il n'est PAS amené jusqu'au trou d'alignement suivant, tant que le levier de libération du carter n'est pas enfoncé et maintenu et que le carter n'est pas simultanément tourné dans le sens des aiguilles d'une montre ou dans le sens inverse (axe face à l'utilisateur).

FRANÇAIS

Fig. F



Configurer les options de réglages du carter de protection

Pour régler le levier de libération du carter **10** en fonction de l'option de réglage voulue :

1. Retirez la vis **14** à l'aide d'un embout T20.
2. Retirez le levier de libération du carter en notant la position du ressort. Sélectionnez l'extrémité du levier à insérer en fonction de l'option de réglage voulue. L'option One-touch utilise l'extrémité oblique du levier **10** pour l'engager dans les trous d'alignement **17** sur le collier du carter. L'option Two-touch utilise l'extrémité carrée du levier **10** pour l'engager dans les trous d'alignement **17** sur le collier du carter.
3. Remplacez le levier, en positionnant l'extrémité choisie sous le ressort **13**. Assurez-vous que le levier est bien en contact avec le ressort.
4. Remplacez la vis et serrez-la à un couple de 2,0 à 3,0 Nm. Contrôlez la bonne installation de l'ensemble et le fonctionnement du rappel du ressort en appuyant sur le levier de libération du carter **10**.

Montage du carter de protection (Fig. G)

ATTENTION : avant d'installer le carter de protection, assurez-vous que la vis, le levier et le ressort sont correctement mis en place.

1. L'axe faisant face à l'utilisateur, appuyez et maintenez enfoncé le levier de libération du carter **10**.
2. Alignez les pattes **15** sur le carter de protection avec les fentes **16** sur le boîtier d'engrenage.
3. Enfoncez le carter de protection jusqu'à ce que les pattes du carter s'engagent et tournez-les dans la rainure du moyeu du boîtier d'engrenage. Relâchez le levier de libération du carter.
4. Pour positionner le carter de protection :
One-touch™: Faites pivoter le carter dans le sens des aiguilles d'une montre jusqu'à la position de travail désirée. Enfoncez et maintenez le levier de libération du carter **10** pour pouvoir pivoter le carter dans le sens inverse des aiguilles d'une montre.
Two-touch™: Appuyez et maintenez enfoncé le bouton de libération du collier **10**. Faites pivoter le carter dans le

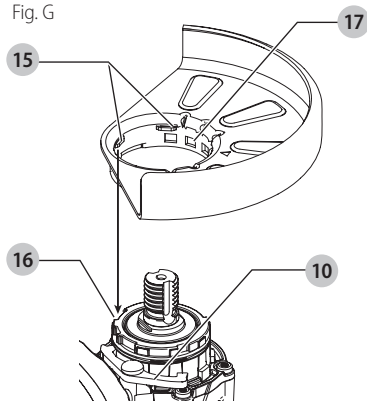
sens des aiguilles d'une montre ou le sens inverse jusqu'à la position de travail désirée.

REMARQUE : Le corps du carter doit être positionné entre l'axe et l'opérateur pour offrir une protection maximale.

Le levier de libération du carter doit s'enclencher dans l'un des trous d'alignement **17** sur le collier du carter. Ceci garantit que le carter est sécurisé.

5. Pour retirer le carter, suivez les étapes 1 à 3 de ces instructions dans l'ordre inverse.

Fig. G



Brides et meules

ATTENTION : **AVERTISSEMENT :** pour réduire tout risque de dommages corporels graves, arrêter l'outil et retirer le bloc-piles avant tout réglage ou avant de retirer ou installer toute pièce ou tout accessoire. Tout démarrage accidentel comporte des risques de dommages corporels.

Installation de meules sans moyeu (Fig. H)

ATTENTION : toute installation incorrecte de bride/écrou de serrage/meule pose des risques de dommages corporels et matériels graves (outil ou meule).

ATTENTION : les brides incluses avec l'outil doivent être utilisées avec les meules à moyeu déporté de type 27 et les meules à tronçonner de types 1/41 et 27/42. Se reporter à la section Tableau des accessoires pour plus d'informations.

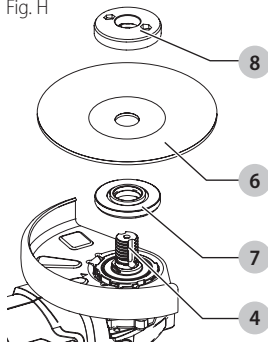
ATTENTION : un carter de protection à deux faces pour meules à tronçonner doit être utilisé avec les meules à tronçonner. Ces meules à tronçonner comprennent les meules diamant et les meules abrasives. Des meules à tronçonner abrasives pour métal et béton sont aussi disponibles. Des meules diamant pour couper le béton peuvent aussi être utilisées.

ATTENTION : les brides incluses avec l'outil doivent être utilisées avec tous les accessoires sans moyeu à l'exception des meules abrasives conventionnelles.

ATTENTION : l'utilisation de brides ou carters endommagés ou tout manquement à utiliser brides et carters pose des risques de dommages corporels dus à l'éclatement de la meule ou par contact avec la meule. Se reporter à la section Tableau des accessoires pour plus d'informations.

1. Installez la bride de soutien non fileté **7** sur la broche **4** avec la section bombée (pilote) face à la meule, comme illustré.
2. Placez la meule contre la bride de soutien, en la centrant sur la section bombée (pilote) de la bride de soutien.
3. Tout en appuyant sur le bouton de verrouillage de la broche alors que les alvéoles hexagonales sont à l'opposé de la meule, vissez la bride de verrouillage **8** sur la broche de façon à ce que les pattes rentrent dans les deux encoches sur la broche.
4. Tout en appuyant sur le bouton de verrouillage de la broche, resserrez la bride de verrouillage à l'aide d'une clé.
5. Pour retirer la meule, appuyez sur le bouton de verrouillage de la broche et desserrez la bride de verrouillage fileté avec une clé.

Fig. H



Installation de tampons de soutien de ponçage (Fig. A, I)

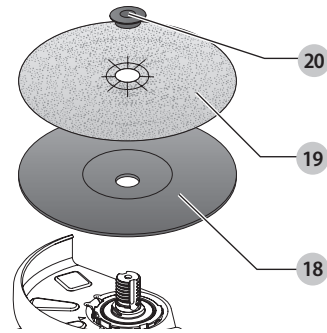
REMARQUE : l'utilisation d'un carter avec des meules abrasives utilisant des tampons de soutien, souvent appelés disques en fibre de résine, n'est pas requise. Comme l'utilisation d'un carter n'est pas requise avec ces accessoires, le carter n'a pas à correspondre exactement en cas d'utilisation.

AVERTISSEMENT : toute installation incorrecte de bride/écrou de serrage/meule pose des risques de dommages corporels et matériels graves (outil ou meule).

AVERTISSEMENT : un carter adéquat doit être réinstallé pour le meulage, le tronçonnage, le ponçage à lamelles, le brossage métallique ou le brossage métallique à touret une fois le ponçage terminé.

1. Retirez la bride interne.
2. Placez ou vissez correctement le tampon de soutien **18** sur la broche.
3. Placez la meule abrasive **19** sur le tampon de soutien **18**.
4. Tout en appuyant sur le verrouillage de broche **3**, vissez l'écrou de serrage **20** sur la broche, tout en guidant le moyeu bombé sur l'écrou de blocage dans le centre de la meule abrasive et du tampon de soutien.

Fig. I



5. Resserrez l'écrou de blocage à la main. Puis appuyez sur le bouton de verrouillage de la broche tout en tournant la meule abrasive jusqu'à ce que la meule abrasive et l'écrou de blocage soient bien resserés.
6. Pour retirer la meule, attrapez et tournez le tampon de soutien et la meule abrasive tout en poussant sur le bouton de verrouillage de la broche.

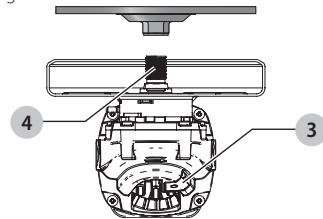
Installation et retrait des meules à moyeu (Fig. J)

AVERTISSEMENT : toute installation incorrecte de bride/écrou de serrage/meule pose des risques de dommages corporels et matériels graves (outil ou meule).

Les meules à moyeu s'installent directement sur la broche fileté de 5/8-11 po. Le filetage des accessoires doit correspondre à celui de la broche.

1. Retirez la bride de soutien en la tirant hors de l'outil.
2. Vissez la meule sur la broche **4** manuellement.
3. Appuyez sur le bouton de verrouillage de la broche **3** et resserrez à l'aide d'une clé le moyeu de la meule.
4. Inversez la procédure ci-dessus pour retirer la meule.

Fig. J



AVIS : le fait de ne pas installer correctement la meule avant le démarrage de l'outil pose des risques d'endommager l'outil ou la meule.

Installation de brosses boisseau et brosses métalliques

ATTENTION : pour réduire tout risque de dommages corporels, porter des gants de travail pour manipuler les brosses métalliques et meules. Ils pourraient être acérés.

ATTENTION : pour réduire tout risque d'endommager l'outil, les meules ou brosses ne doivent pas toucher le carter lors de l'installation ou de l'utilisation. Des dommages indétectables

FRANÇAIS

peuvent affecter l'accessoire et faire que les fils métalliques se détachent de la meule ou du boisseau.

Les brosses boisseau et métalliques se vissent directement sur la broche de la meuleuse sans l'aide de brides. Utilisez uniquement des brosses métalliques ou des meules avec un filetage de moyeu de 5/8-11 po. Un carter de protection de type 27 est requis lors de l'utilisation de brosses métalliques ou de meules.

1. Vissez la meule sur la broche manuellement.
2. Appuyez sur le bouton de verrouillage de la broche et resserrez à l'aide d'une clé le moyeu de la meule ou la brosse métallique pour les resserrer.
3. Pour retirer la meule, inversez la procédure ci-dessus.

AVIS : pour réduire tout risque d'endommager l'outil, installer soigneusement le moyeu de la meule avant de mettre l'outil en marche.

UTILISATION

AVERTISSEMENT : pour réduire le risque de blessures graves, éteindre l'outil et retirer le bloc-piles avant d'effectuer tout réglage et d'enlever ou d'installer tout accessoire. Un démarrage accidentel peut provoquer des blessures.

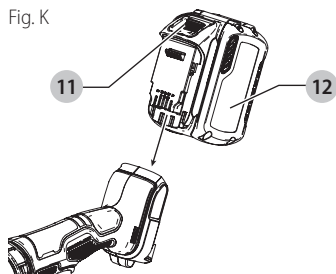
Installation et retrait du bloc-piles (Fig. K)

REMARQUE : pour des résultats optimaux, s'assurer que le bloc-piles est complètement chargé.

Pour installer le bloc-piles **11** dans la poignée de l'outil, alignez le bloc-piles sur les rails dans la poignée de l'outil et faites-le glisser fermement en place puis vérifiez qu'il ne s'en détachera pas.

Pour retirer le bloc-piles de l'outil, poussez sur le bouton de libération **12** et tirez fermement le bloc-piles hors de la poignée de l'outil. Insérez-le dans son chargeur comme décrit dans la section appropriée de ce manuel.

Fig. K



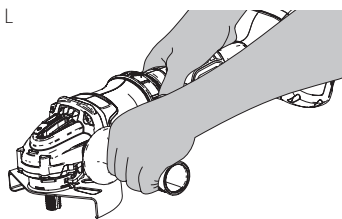
Position correcte des mains (Fig. L)

AVERTISSEMENT : pour réduire tout risque de dommages corporels graves, adopter **SYSTÉMATIQUEMENT** la position des mains illustrée.

AVERTISSEMENT : pour réduire tout risque de dommages corporels graves, maintenir **SYSTÉMATIQUEMENT** l'outil fermement pour anticiper toute réaction soudaine.

La position correcte des mains requiert une main sur la poignée principale et l'autre sur la poignée latérale.

Fig. L



Gâchette et levier de verrouillage (Fig. M)

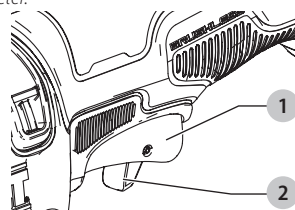
AVERTISSEMENT : avant toute utilisation de l'outil, vérifier que la poignée latérale est soigneusement arrimée.

AVERTISSEMENT : maintenir fermement la poignée latérale et la poignée principale de l'outil pour en garder le contrôle au démarrage et pendant son utilisation, et ce, jusqu'à arrêt complet de la meule ou de tout autre accessoire. Avant de poser l'outil, s'assurer que la meule s'est complètement arrêtée de tourner.

1. Pour mettre l'outil en marche, poussez le levier de verrouillage **2** vers l'arrière de l'outil, puis appuyez sur la gâchette **1**. L'outil fonctionnera tant que l'interrupteur restera appuyé.
2. Pour arrêter l'outil, relâchez la gâchette.

AVERTISSEMENT : laisser l'outil tourner à plein régime avant de le mettre en contact avec la surface à travailler. Retirer l'outil de la pièce à travailler avant de l'arrêter.

Fig. M



REMARQUE : cet outil n'est pas équipé d'un bouton de verrouillage pour le maintenir en position de marche, et ne doit en aucune manière être verrouillé en marche par tout autre moyen.

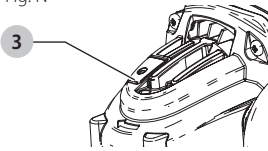
Bouton de verrouillage de la broche (Fig. N)

Le bouton de verrouillage de la broche **3** est destiné à empêcher la broche de tourner lors de l'installation ou du retrait des meules. N'utilisez le bouton de verrouillage de la broche que lorsque l'outil est à l'arrêt, et débranché, et après arrêt complet de la meule.

AVIS : pour réduire tout risque d'endommager l'outil, ne pas activer le bouton de verrouillage de la broche alors que l'outil est en marche. L'outil pourrait être endommagé, et ses accessoires être projetés, posant ainsi des risques de dommages corporels.

Pour actionner le verrouillage, appuyez sur le bouton de verrouillage de la broche **3** puis faites tourner la broche jusqu'à arrêt complet.

Fig. N



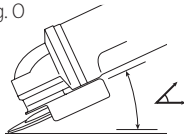
Meulage de finition, ponçage et brossage métallique (Fig. O)

⚠ ATTENTION : utiliser systématiquement un carter protecteur adéquat conformément aux instructions de ce guide d'utilisation.

Pour travailler la surface d'une pièce :

1. Laissez l'outil tourner à plein régime avant de le mettre en contact avec la surface à travailler.
2. Appliquez un minimum de pression sur la surface à travailler, pour permettre à l'outil de fonctionner à sa vitesse maximum. Le rythme du retrait du matériau est supérieur lorsque l'outil fonctionne à grande vitesse.

Fig. O



Maintenez l'angle approprié entre l'outil et la surface. Se reporter à la partie du tableau correspondant à la fonction particulière.

Fonction	Angle \sphericalangle
Meulage	20° - 30°
Ponçage avec disques à lamelles	5° - 10°
Ponçage avec tampon de soutien	5° - 15°
Brossage métallique	5° - 10°

3. Maintenez le contact entre le bord de la meule et la surface de travail.
 - Lors du meulage ou du ponçage avec des disques à lamelles ou des brosses métalliques, déplacez continuellement l'outil par va-et-vient pour éviter de creuser la surface.
 - Lors du ponçage avec un tampon de soutien, déplacez l'outil continuellement en ligne droite pour éviter de brûler ou rayer la surface de travail.

REMARQUE : le fait d'immobiliser l'outil sur la surface endommagera la pièce à travailler.

4. Retirez l'outil de la pièce à travailler avant de l'arrêter. Laissez l'outil s'arrêter complètement de tourner avant de le poser.

⚠ ATTENTION : prendre des précautions supplémentaires lors du travail de bordure, car la meuleuse pourrait faire un mouvement brutal soudain.

Précautions à prendre lors du travail sur une surface peinte

1. Le ponçage à la ponceuse ou la brosse métallique des peintures à base de plomb N'EST PAS RECOMMANDÉ, car il est difficile de se protéger contre les poussières contaminées. L'empoisonnement au plomb

présente le plus grand danger pour les enfants et les femmes enceintes.

2. Comme il est difficile d'identifier si la peinture contient ou non du plomb sans effectuer une analyse chimique, nous vous recommandons de prendre les précautions suivantes lors du ponçage de toutes les peintures.

Protection de l'individu

1. Aucun enfant ou femme enceinte ne devrait pénétrer sur les lieux de travail lors du ponçage ou brossage métallique et tant que ces lieux n'auront pas été nettoyés complètement.
2. Toute personne entrant la zone de travail devrait porter un masque anti-poussières ou un appareil respiratoire. Le filtre doit en être remplacé quotidiennement ou chaque fois que l'utilisateur commence à avoir des difficultés à respirer.

REMARQUE : utiliser exclusivement une protection des voies respiratoires adéquate pour le travail sur les peintures au plomb produisant poussières ou émanations. Les masques ordinaires n'offrent pas ce niveau de protection. Se renseigner auprès de son quincaillier local pour obtenir la liste des masques anti-poussières approuvés par le NIOSH.
3. NE PAS MANGER, BOIRE OU FUMER sur les lieux de travail pour prévenir l'ingestion de particules de peinture contaminées. Il est recommandé aux ouvriers de se laver et nettoyer AVANT de manger, boire ou fumer. Ne pas laisser sur les lieux de travail, là où la poussière pourrait s'y déposer, nourriture, boisson, cigarette ou autre produit de consommation.

Protection de l'environnement

1. La peinture devrait être retirée de façon à minimiser la quantité de poussières générées.
2. Les lieux où la peinture est retirée devraient être isolés avec des panneaux de plastique de 4 mil d'épaisseur.
3. Le ponçage devrait être effectué de manière à réduire toute propagation des poussières de peinture hors des lieux de travail.

Nettoyage et élimination

1. Passez quotidiennement l'aspirateur sur les lieux de travail et nettoyez-les soigneusement pendant toute la durée du projet de ponçage. Changez fréquemment les filtres d'aspirateur.
2. Recueillez toute toile de protection plastifiée utilisée et s'en défaire avec toute particule de poussière ou autre débris à éliminer. Placez-les dans un contenant hermétique pour déchets et jetez-les conformément à la procédure normale d'élimination des ordures. Pendant le nettoyage, maintenez à distance de la zone immédiate de travail les enfants ou femmes enceintes.
3. Nettoyez soigneusement jouet, meuble lavable, ou tout ustensile utilisé par les enfants avant toute nouvelle réutilisation.

Coupes et meulage angulaires (Fig. P)

⚠ AVERTISSEMENT : ne pas utiliser les meules angulaires/à tronçonner pour le meulage de finition, car elles ne sont pas conçues pour subir les pressions latérales nécessaires au meulage de finition. La meule pourrait se briser et poser des risques de dommages corporels.

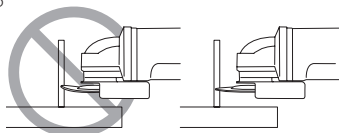
FRANÇAIS

ATTENTION : les meules peuvent se briser ou faire des rebonds lorsqu'elles sont arquées ou si elles subissent des torsions lors de travaux de meulage angulaire ou de découpe. Pour toute opération de meulage angulaire/découpe, orienter l'ouverture du carter dans le sens opposé à l'utilisateur.

ATTENTION : Le meulage angulaire/découpe avec une meule neuve de type 27 doit se limiter à la découpe ou à des entailles peu profondes, inférieures à 13 mm (1/2 po). Réduire la profondeur de coupe/entaille en proportion égale à la réduction du rayon de la meule alors qu'elle s'use. Se reporter à la section **Tableau des accessoires** pour plus d'informations. Le meulage angulaire/découpe avec une meule de type 1/41 requiert l'utilisation d'un carter de type 1/41.

1. Laissez l'outil tourner à plein régime avant de le mettre en contact avec la surface à travailler.
2. Appliquez un minimum de pression sur la surface à travailler, pour permettre à l'outil de fonctionner à sa vitesse maximum. Le rythme de meulage/coupe est supérieur lorsque l'outil fonctionne à grande vitesse.
3. Placez-vous de façon à ce que la face inférieure de la meule soit à votre opposé.
4. Ne changez pas l'angle de coupe une fois que cette dernière est commencée et qu'une entaille existe dans la pièce à travailler. Cela pourrait faire arquer la meule et la casser. Les meules angulaires ne sont pas conçues pour supporter une pression latérale causée par une incurvation.
5. Retirez l'outil de la pièce à travailler avant de l'arrêter. Laissez l'outil s'arrêter complètement de tourner avant de le poser.

Fig. P



MAINTENANCE

ATTENTION : **AVERTISSEMENT :** pour réduire le risque de blessures graves, éteindre l'outil et retirer le bloc-piles avant d'effectuer tout réglage et d'enlever ou d'installer tout accessoire. Un démarrage accidentel peut provoquer des blessures.

Votre outil électrique DeWALT a été conçu pour fonctionner longtemps avec un minimum de maintenance. Le fonctionnement continu et satisfaisant de l'outil dépendra d'une maintenance adéquate et d'un nettoyage régulier.

Nettoyage

ATTENTION : **AVERTISSEMENT :** enlever les saletés et la poussière hors des événements au moyen d'air comprimé propre et sec, au moins une fois par semaine. Pour minimiser le risque de blessure aux yeux, toujours porter une protection oculaire conforme à la norme ANSI Z87.1 lors du nettoyage.

ATTENTION : **AVERTISSEMENT :** ne jamais utiliser de solvants ni d'autres produits chimiques puissants pour nettoyer les pièces non métalliques de l'outil. Ces produits chimiques peuvent affaiblir les matériaux de plastique utilisés dans ces pièces. Utiliser un chiffon humecté uniquement d'eau et de savon doux. Ne jamais laisser de liquide pénétrer dans l'outil et n'immerger aucune partie de l'outil dans un liquide.

Accessoires

Cet outil peut recevoir des meules à tronçonner ou à meuler de 150 mm (6 po) de diamètre par 6,35 mm (1/4 po) d'épaisseur. Il est important de sélectionner les capots protecteurs, les tampons et les brides corrects pour l'utilisation des accessoires de meuleuses. Reportez-vous aux informations de la section **Tableau des Accessoires** pour choisir les accessoires appropriés.

ATTENTION : **AVERTISSEMENT :** utiliser des accessoires prévus pour le régime minimum indiqué sur l'étiquette d'avertissement de l'outil. En effet, les meules et autres accessoires, tournant à un régime plus élevé que celui pour lequel ils sont conçus, risquent d'être projetés et d'entraîner des blessures. Les accessoires filetés doivent comporter un moyeu de 5/8 po à 11 filets/po. Quant aux accessoires non filetés, ils doivent comporter un trou de montage de 22,2 mm (7/8 po) de diamètre. Si non, il se peut que l'accessoire ait été conçu pour une utilisation avec une scie circulaire. Utilisez seulement des accessoires listés dans le **Tableau des accessoires** de ce guide d'utilisation. Le régime nominal des accessoires doit toujours se situer au-dessus de la vitesse de l'outil, tel qu'indiqué sur la plaque signalétique de l'outil.

ATTENTION : **AVERTISSEMENT :** manier et entreposer les meules abrasives soigneusement pour prévenir tout dommage résultant de chocs thermiques, de la chaleur, de dommages mécaniques, etc. Entreposer dans un endroit sec, à l'abri de toute humidité excessive, du gel ou de changements extrêmes de température.

ATTENTION : **AVERTISSEMENT :** puisque les accessoires autres que ceux offerts par DeWALT n'ont pas été testés avec ce produit, leur utilisation pourrait s'avérer dangereuse. Pour réduire le risque de blessures, utiliser exclusivement les accessoires DeWALT recommandés avec le présent produit.

Les accessoires recommandés pour cet outil sont vendus séparément au centre de service de votre région. Pour obtenir de l'aide concernant l'achat d'un accessoire, communiquer avec DeWALT Industrial Tool Co., 701 East Joppa Road, Towson, MD 21286 aux États-Unis; composer le 1 800 433-9258 (1 800 4-DeWALT) ou visiter notre site Web : www.dewalt.com.

Réparations

Le chargeur et le bloc-piles ne sont pas réparables.

ATTENTION : **AVERTISSEMENT :** pour assurer la SÉCURITÉ et la FIABILITÉ du produit, les réparations, l'entretien et les réglages doivent être réalisés (cela comprend

l'inspection et le remplacement du balai) par un centre de réparation en usine DeWALT ou un centre de réparation agréé DeWALT. Toujours utiliser des pièces de rechange identiques.

Registre en ligne

Merci pour votre achat. Enregistrez dès maintenant votre produit:

- **RÉPARATIONS SOUS GARANTIE:** cette carte remplie vous permettra de vous prévaloir du service de réparations sous garantie de façon plus efficace dans le cas d'un problème avec le produit.
- **CONFIRMATION DE PROPRIÉTÉ:** en cas de perte provoquée par un incendie, une inondation ou un vol, cette preuve de propriété vous servira de preuve auprès de votre compagnie d'assurances.
- **SÉCURITÉ:** l'enregistrement de votre produit nous permettra de communiquer avec vous dans l'éventualité peu probable de l'envoi d'un avis de sécurité régi par la loi fédérale américaine de la protection des consommateurs.

Registre en ligne à www.dewalt.com/register.

Garantie limitée de trois ans

DeWALT réparera, sans frais, tout produit défectueux causé par un défaut de matériel ou de fabrication pour une période de trois ans à compter de la date d'achat. La présente garantie ne couvre pas les pièces dont la défectuosité a été causée par une usure normale ou l'usage abusif de l'outil. Pour obtenir de plus amples renseignements sur les pièces ou les réparations couvertes par la présente garantie, visiter le site www.dewalt.com ou composer le 1 800 433-9258 (1 800 4-DeWALT). CETTE GARANTIE LIMITÉE REMPLACE TOUTE AUTRE GARANTIE, Y COMPRIS TOUTE GARANTIE IMPLICITE DE QUALITÉ MARCHANDE OU DE CONFORMITÉ À DES FINS PARTICULIÈRES, ET EXCLUT TOUT DOMMAGE ACCESSOIRE OU INDIRECT. Certains états n'autorisent aucune limitation quant à la durée d'une garantie implicite ni aucune exclusion ou limitation de garantie contre tout préjudice accessoire ou indirect, aussi il se peut que ces exclusions ne vous soient pas applicables. Cette garantie confère des droits légaux particuliers à l'acheteur, mais celui-ci pourrait aussi bénéficier d'autres droits variant d'un territoire à l'autre. En plus de la présente garantie, les outils DeWALT sont couverts par notre :

CONTRAT D'ENTRETIEN GRATUIT D'UN AN

DeWALT entretiendra l'outil et remplacera les pièces usées au cours d'une utilisation normale et ce, gratuitement, pendant une période d'un an à compter de la date d'achat.

CONTRAT D'ENTRETIEN GRATUIT DE DEUX ANS SUR LES BLOC-PILES DeWALT

DC9096, DCB120, DCB122, DCB124, DCB127, DCB201, DCB203BT, DCB207, DCB240, DCB361

CONTRAT D'ENTRETIEN GRATUIT DE TROIS ANS SUR LES BLOC-PILES DeWALT

DCB200, DCB203, DCB204, DCB204BT, DCB205, DCB205BT, DCB206, DCB230, DCB606, DCB609, DCB612

REMARQUE : La garantie de se produit sera annulée si le bloc-piles a été altéré de quelque façon que ce soit. DeWALT ne peut être tenu responsable de tout dommage corporel causé par l'altération du produit et pourra poursuivre toute fraude en matière de garantie dans toute l'étendue permise par la loi.

GARANTIE DE REMBOURSEMENT DE 90 JOURS

Si l'acheteur n'est pas entièrement satisfait, pour quelque raison que ce soit, du rendement de l'outil électrique, du laser ou de la cloueuse DeWALT, celui-ci peut le retourner, accompagné d'un reçu, dans les 90 jours à compter de la date d'achat pour obtenir un remboursement intégral, sans aucun problème.

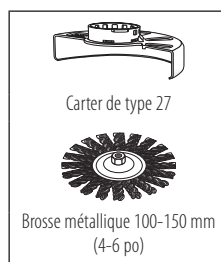
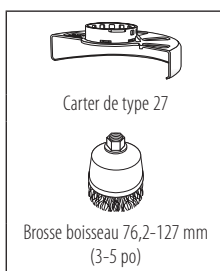
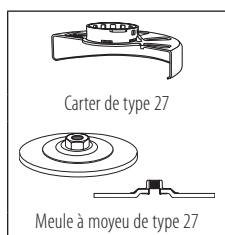
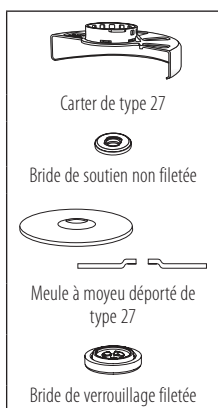
AMÉRIQUE LATINE : cette garantie ne s'applique aux produits vendus en Amérique latine. Pour ceux-ci, veuillez consulter les informations relatives à la garantie spécifique présente dans l'emballage, appeler l'entreprise locale ou consulter le site Web pour les informations relatives à cette garantie.

REMPLACEMENT GRATUIT DES ÉTIQUETTES

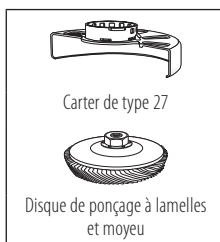
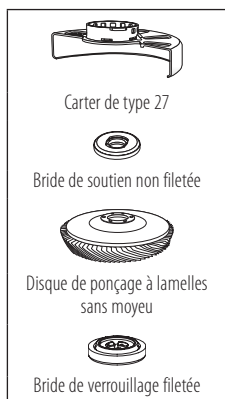
D'AVERTISSEMENT : si les étiquettes d'avertissement deviennent illisibles ou sont manquantes, composer le 1 800 433-9258 (1 800 4-DeWALT) pour en obtenir le remplacement gratuit.

TABLEAU DES ACCESSOIRES

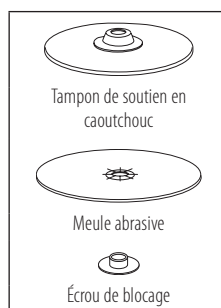
Meule de 115 mm (4,5 po) et 150 mm (6 po)



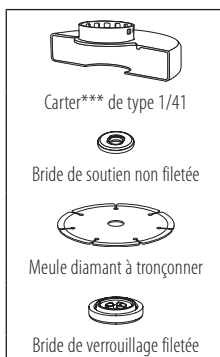
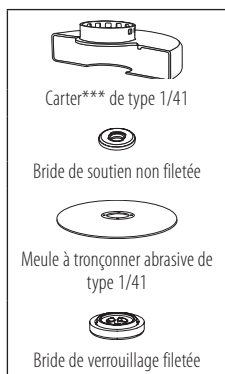
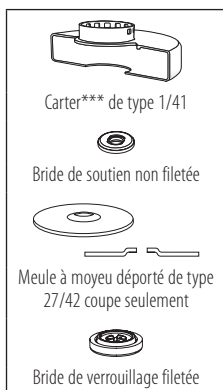
Disques de ponçage à lamelles de 115 mm (4,5 po) et 150 mm (6 po)



Meules abrasives



Meules à tronçonner de 115 mm (4,5 po) et 150 mm (6 po)



Les types 1/41 de carters ont été conçus pour être utilisés avec les meules à tronçonner de type 1/41 et les meules de type 27 pour la découpe seulement. Le meulage avec des meules autres que celles de types 27 et 29 requiert l'utilisation d'un carter de protection autre. Utiliser systématiquement le carter adéquat le plus petit possible, qui ne rentrera pas en contact avec l'accessoire.

***REMARQUE : des carters de type 1/41 sont vendus séparément chez votre distributeur local ou dans les centres de réparation agréés.

Definiciones: Símbolos y palabras de alerta de seguridad

Este manual de instrucciones utiliza los siguientes símbolos y palabras de alerta de seguridad para alertarle de situaciones peligrosas y del riesgo de lesiones corporales o daños materiales.



PELIGRO: Indica una situación de peligro inminente que, si no se evita, provocará **la muerte o lesiones graves**.



ADVERTENCIA: Indica una situación de peligro potencial que, si no se evita, **podría provocar la muerte o lesiones graves**.



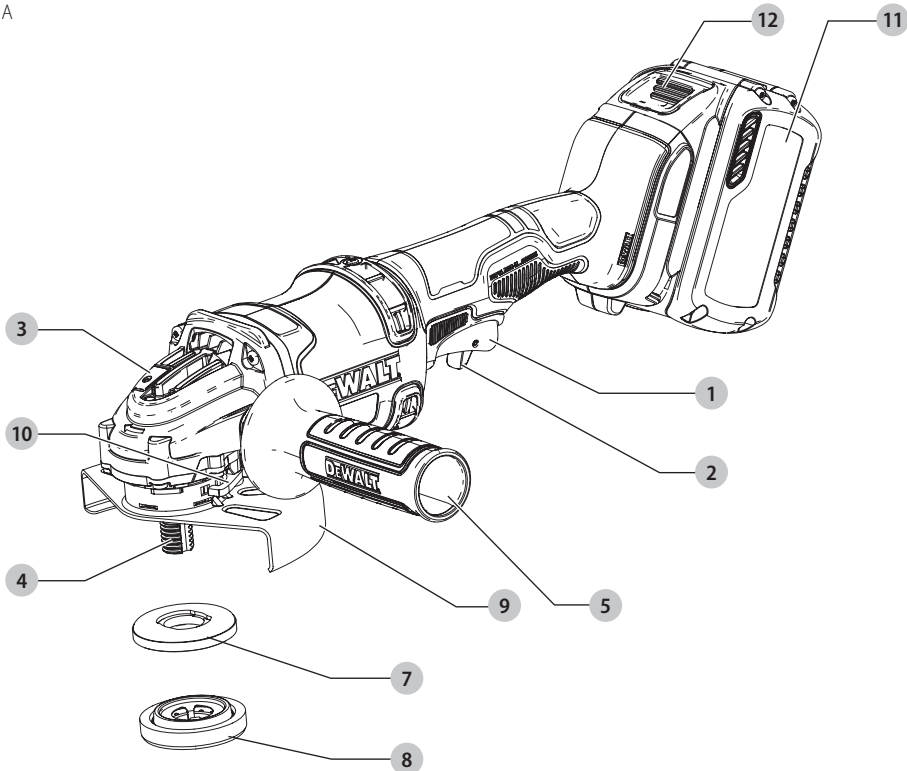
ATENCIÓN: Indica una situación de peligro potencial que, si no se evita, **posiblemente provocaría lesiones leves o moderadas**.



(Utilizado sin palabras) indica un mensaje de seguridad relacionado.

AVISO: Se refiere a una práctica **no relacionada a lesiones corporales** que de no evitarse **puede resultar en daños a la propiedad**.

Fig. A



- 1 Interruptor de gatillo
- 2 Palanca de bloqueo en apagado
- 3 Botón del seguro del eje
- 4 Eje
- 5 Mango lateral
- 6 Disco de esmerilado (Fig. H)
- 7 Brida de respaldo sin rosca
- 8 Brida de bloqueo
- 9 Protector tipo 27 (x 2) 150 mm y 115 mm (6 y 4,5")
- 10 Palanca de liberación del protector
- 11 Batería
- 12 Botón de liberación de la batería



¡ADVERTENCIA! Lea todas las advertencias de seguridad e instrucciones. El incumplimiento de las advertencias e instrucciones puede provocar descargas eléctricas, incendios o lesiones graves.



ADVERTENCIA: Para reducir el riesgo de lesiones, lea el manual de instrucciones.

Si tiene alguna duda o algún comentario sobre ésta u otra herramienta DeWALT, llámenos al número gratuito: 1-800-4-DeWALT (1-800-433-9258).

ADVERTENCIAS GENERALES DE SEGURIDAD PARA HERRAMIENTAS ELÉCTRICAS



ADVERTENCIA: Lea todas las advertencias de seguridad, instrucciones, ilustraciones y especificaciones incluidas con esta herramienta eléctrica. La falla en seguir todas las instrucciones siguientes puede resultar en descarga eléctrica, incendio y/o lesiones serias.

CONSERVE TODAS LAS ADVERTENCIAS E INSTRUCCIONES PARA FUTURAS CONSULTAS

El término "herramienta eléctrica" incluido en las advertencias hace referencia a las herramientas eléctricas operadas con corriente (con cable eléctrico) o a las herramientas eléctricas operadas con baterías (inalámbricas).

1) Seguridad en el Área de Trabajo

- a) **Mantenga el área de trabajo limpia y bien iluminada.** Las áreas abarrotadas y oscuras propician accidentes.
- b) **No opere las herramientas eléctricas en atmósferas explosivas, como ambientes donde haya polvo, gases o líquidos inflamables.** Las herramientas eléctricas originan chispas que pueden encender el polvo o los vapores.
- c) **Mantenga alejados a los niños y a los espectadores de la herramienta eléctrica en funcionamiento.** Las distracciones pueden provocar la pérdida de control.

2) Seguridad Eléctrica

- a) **Los enchufes de la herramienta eléctrica deben adaptarse al tomacorriente. Nunca modifique el enchufe de ninguna manera. No utilice ningún enchufe adaptador con herramientas eléctricas con conexión a tierra.** Los enchufes no modificados y que se adaptan a los tomacorrientes reducirán el riesgo de descarga eléctrica.
- b) **Evite el contacto corporal con superficies con descargas a tierra como, por ejemplo, tuberías, radiadores, cocinas eléctricas y refrigeradores.** Existe mayor riesgo de descarga eléctrica si su cuerpo está puesto a tierra.
- c) **No exponga las herramientas eléctricas a la lluvia o a condiciones de humedad.** Si entra agua a una herramienta eléctrica, aumentará el riesgo de descarga eléctrica.
- d) **No maltrate el cable. Nunca utilice el cable para transportar, tirar o desenchufar la herramienta eléctrica. Mantenga el cable alejado del calor, el aceite, los bordes filosos y las piezas móviles.** Los cables dañados o enredados aumentan el riesgo de descarga eléctrica.
- e) **Al operar una herramienta eléctrica en el exterior, utilice un cable prolongador adecuado para tal uso. Utilice un cable adecuado para**

uso en exteriores a fin de reducir el riesgo de descarga eléctrica.

- f) **Si el uso de una herramienta eléctrica en un lugar húmedo es imposible de evitar, utilice un suministro protegido con un interruptor de circuito por falla a tierra (GFCI).** El uso de un GFCI reduce el riesgo de descargas eléctricas.

3) Seguridad Personal

- a) **Permanezca alerta, controle lo que está haciendo y utilice el sentido común cuando emplee una herramienta eléctrica. No utilice una herramienta eléctrica si está cansado o bajo el efecto de drogas, alcohol o medicamentos.** Un momento de descuido mientras se opera una herramienta eléctrica puede provocar lesiones personales graves.
- b) **Utilice equipos de protección personal. Siempre utilice protección para los ojos.** En las condiciones adecuadas, el uso de equipos de protección, como máscaras para polvo, calzado de seguridad antideslizante, cascos o protección auditiva, reducirá las lesiones personales.
- c) **Evite el encendido por accidente. Asegúrese de que el interruptor esté en la posición de apagado antes de conectarlo a la fuente de energía o paquete de baterías, o antes de levantar o transportar la herramienta.** Transportar herramientas eléctricas con el dedo apoyado en el interruptor o enchufar herramientas eléctricas con el interruptor en la posición de encendido puede propiciar accidentes.
- d) **Retire la clavija de ajuste o la llave de tuercas antes de encender la herramienta eléctrica.** Una llave de tuercas o una clavija de ajuste que quede conectada a una pieza giratoria de la herramienta eléctrica puede provocar lesiones personales.
- e) **No se estire. Conserve el equilibrio y párese adecuadamente en todo momento.** Esto permite un mejor control de la herramienta eléctrica en situaciones inesperadas.
- f) **Use la vestimenta adecuada. No use ropas holgadas ni joyas. Mantenga el cabello, la ropa y los guantes alejados de las piezas en movimiento.** Las ropas holgadas, las joyas o el cabello largo pueden quedar atrapados en las piezas en movimiento.
- g) **Si se suministran dispositivos para la conexión de accesorios con fines de recolección y extracción de polvo, asegúrese de que estén conectados y que se utilicen correctamente.** El uso de dispositivos de recolección de polvo puede reducir los peligros relacionados con el polvo.
- h) **No permita que la familiaridad obtenida a partir del uso frecuente de herramientas le permitan volverse descuidado e ignorar los principios de seguridad de la herramienta.** Una acción descuidada puede causar lesiones severas en una fracción de segundo.

4) Uso y Mantenimiento de la Herramienta Eléctrica

- a) **No fuerce la herramienta eléctrica. Utilice la herramienta eléctrica correcta para el trabajo que realizará.** Si se la utiliza a la velocidad para la que fue diseñada, la herramienta eléctrica correcta permite trabajar mejor y de manera más segura.
- b) **No utilice la herramienta eléctrica si no puede encenderla o apagarla con el interruptor.** Toda herramienta eléctrica que no pueda ser controlada mediante el interruptor es peligrosa y debe repararse.
- c) **Desconecte el enchufe de la fuente de alimentación y/o retire la batería, o paquete si es desmontable, de la herramienta eléctrica antes de realizar cualquier ajuste, cambiar accesorios o almacenar herramientas eléctricas.** Estas medidas de seguridad preventivas reducen el riesgo de encender la herramienta eléctrica en forma accidental.
- d) **Guarde la herramienta eléctrica que no esté en uso fuera del alcance de los niños y no permita que otras personas no familiarizadas con ella o con estas instrucciones operen la herramienta.** Las herramientas eléctricas son peligrosas si son operadas por usuarios no capacitados.
- e) **Dé mantenimiento a las herramientas eléctricas y accesorios. Revise que no haya piezas en movimiento mal alineadas o trabadas, piezas rotas o cualquier otra situación que pueda afectar el funcionamiento de la herramienta eléctrica. Si encuentra daños, haga reparar la herramienta eléctrica antes de utilizarla.** Se producen muchos accidentes a causa de las herramientas eléctricas que carecen de un mantenimiento adecuado.
- f) **Mantenga las herramientas de corte afiladas y limpias.** Las herramientas de corte con mantenimiento adecuado y con los bordes de corte afilados son menos propensas a trabarse y son más fáciles de controlar.
- g) **Utilice la herramienta eléctrica, los accesorios y las brocas de la herramienta, etc. de acuerdo con estas instrucciones y teniendo en cuenta las condiciones de trabajo y el trabajo que debe realizarse.** El uso de la herramienta eléctrica para operaciones diferentes de aquéllas para las que fue diseñada podría originar una situación peligrosa.
- h) **Mantenga las manijas y superficies de sujeción secas, limpias y libres de aceite y grasa.** Las manijas y superficies de sujeción resbalosas no permiten el manejo y control seguros de la herramienta en situaciones inesperadas.

5) Uso y Mantenimiento de la Herramienta con Baterías

- a) **Recargue solamente con el cargador especificado por el fabricante.** Un cargador adecuado para un tipo de paquete de baterías puede

originar riesgo de incendio si se utiliza con otro paquete de baterías.

- b) **Utilice herramientas eléctricas sólo con paquetes de baterías específicamente diseñados.** El uso de cualquier otro paquete de baterías puede producir riesgo de incendio y lesiones.
- c) **Quando no utilice el paquete de baterías, manténgalo lejos de otros objetos metálicos como sujetapapeles, monedas, llaves, clavos, tornillos u otros objetos metálicos pequeños que puedan realizar una conexión desde un terminal al otro.** Los cortocircuitos en los terminales de la batería pueden provocar quemaduras o incendio.
- d) **En condiciones abusivas, el líquido puede ser expulsado de la batería. Evite su contacto. Si entra en contacto accidentalmente, enjuague con agua. Si el líquido entra en contacto con los ojos, busque atención médica.** El líquido expulsado de la batería puede provocar irritación o quemaduras.
- e) **No use un paquete de batería o herramienta que estén dañados o modificados.** Las baterías dañadas o modificadas pueden presentar un comportamiento impredecible que resulte en incendios, explosión o riesgo de lesiones."
- f) **No exponga un paquete de batería o una herramienta a fuego o temperatura excesiva.** La exposición a fuego o temperaturas mayores a 130 °C (265 °F) pueden causar una explosión."
- g) **Siga todas las instrucciones de carga y no cargue el paquete de batería o la herramienta fuera del rango de temperatura especificado en las instrucciones.** Cargar inadecuadamente o en una temperatura fuera del rango de temperatura especificado puede dañar la batería e incrementar el riesgo de incendio.

6) Mantenimiento

- a) **Solicite a una persona calificada en reparaciones que realice el mantenimiento de su herramienta eléctrica y que sólo utilice piezas de repuesto idénticas.** Esto garantizará la seguridad de la herramienta eléctrica.
- b) **Nunca dé servicio a paquetes de batería dañados.** El servicio de paquetes de batería sólo debe ser realizado por el fabricante o proveedores de servicio autorizados.

INSTRUCCIONES DE SEGURIDAD PARA TODAS LAS OPERACIONES

Advertencias de Seguridad Comunes para Todas las Operaciones de Esmerilado, Lijado, Cepillado con Cepillo de Alambre y para Operaciones de Corte y Desbaste Abrasivo

- a) **Esta herramienta eléctrica está diseñada para funcionar como esmeriladora, lijadora, cepillo**

- de alambre o herramienta de corte. Lea todas las advertencias de seguridad, las instrucciones, ilustraciones y especificaciones provistas con esta herramienta eléctrica. El incumplimiento de las instrucciones que se indican a continuación podría provocar una descarga eléctrica, un incendio y/o lesiones graves.*
- b) **No se recomienda el uso de esta herramienta eléctrica para algunas operaciones como las de pulido.** Su uso para operaciones para las que la herramienta no ha sido diseñada puede ocasionar peligro y lesiones corporales.
- c) **No utilice accesorios que no estén diseñados y recomendados específicamente por el fabricante de la herramienta.** El hecho que el accesorio pueda conectarse a la herramienta eléctrica no garantiza un funcionamiento seguro.
- d) **La velocidad nominal del accesorio debe ser equivalente a la velocidad máxima indicada en la herramienta eléctrica, como mínimo.** Los accesorios que funcionen más rápido que su velocidad nominal pueden romperse y desprenderse.
- e) **El diámetro externo y el grosor del accesorio deben estar dentro del rango de capacidad de la herramienta eléctrica.** Los accesorios de tamaño incorrecto no pueden protegerse ni controlarse adecuadamente.
- f) **El montaje de rosca de los accesorios debe corresponderse con la rosca del eje de la esmeriladora. Para los accesorios montados con bridas, el orificio del eje del accesorio debe ajustarse al diámetro de centrado de la brida.** Los accesorios que no se corresponden con las piezas de montaje de la herramienta eléctrica se desequilibrarán, vibrarán excesivamente y pueden causar pérdida de control.
- g) **No utilice un accesorio dañado. Inspeccione el accesorio antes de cada uso; por ejemplo, el disco abrasivo para verificar que no tenga astillas ni grietas; la almohadilla de respaldo para ver si hay grietas, desprendimientos o desgaste excesivo y el cepillo de alambre para ver si tiene alambres sueltos o quebrados. Si la herramienta eléctrica o el accesorio sufre una caída, inspeccione para ver si hay daños o instale un accesorio en buen estado. Después de inspeccionar e instalar un accesorio, ubíquese y ubique a los espectadores lejos del plano del accesorio giratorio y haga funcionar la herramienta a velocidad máxima sin carga durante un minuto.** Los accesorios dañados generalmente se romperán durante esta prueba.
- h) **Utilice equipos de protección personal. Según la aplicación, debe usar protector facial, anteojos de seguridad o lentes de seguridad. Según corresponda, utilice máscara para polvo, protectores auditivos, guantes y delantal de taller para protegerse de los pequeños fragmentos abrasivos y de los fragmentos de la pieza de trabajo. La protección para los ojos debe ser capaz de detener los residuos volátiles que se generan en las diferentes operaciones. La máscara para polvo o respirador debe ser capaz de filtrar las partículas generadas por el funcionamiento de la herramienta.** La exposición prolongada al ruido intenso puede provocar pérdida de la audición.
- i) **Mantenga a los espectadores a una distancia segura del área de trabajo. Toda persona que ingrese al área de trabajo debe utilizar equipos de protección personal.** Los fragmentos de una pieza de trabajo o de un accesorio roto pueden volar y provocar lesiones más allá del área de operaciones cercana.
- j) **Sostenga la herramienta eléctrica solo por sus superficies de empuñadura aisladas cuando realice una operación en la cual el accesorio para cortar pudiera entrar en contacto con instalaciones eléctricas ocultas.** Si el accesorio para cortar entra en contacto con un cable bajo tensión, se cargarán las partes metálicas de la herramienta expuestas a la corriente y podrían producir una descarga eléctrica al operador.
- k) **Coloque el cable lejos del accesorio giratorio.** Si pierde el control de la herramienta, el cable puede cortarse o enredarse y jalarle la mano o el brazo hacia el accesorio giratorio.
- l) **Nunca apoye la herramienta hasta que el accesorio se haya detenido completamente.** El accesorio giratorio puede enganchar la superficie y producir la pérdida de control de la herramienta.
- m) **No haga funcionar la herramienta eléctrica mientras la carga a su lado.** El contacto accidental con el accesorio giratorio puede hacer que éste se le enganche en la ropa y lance el accesorio hacia su cuerpo.
- n) **Limpie frecuentemente los orificios de ventilación de la herramienta eléctrica.** El ventilador del motor atraerá el polvo dentro de la cubierta, y la acumulación excesiva de polvo metálico puede producir riesgos eléctricos.
- o) **No use la herramienta eléctrica cerca de materiales inflamables.** Las chispas pueden encender estos materiales.
- p) **No utilice accesorios que requieran refrigerantes líquidos.** El uso de agua u otros refrigerantes líquidos puede producir una electrocución o descarga eléctrica.
- q) **No utilice discos Tipo 11 (copas cónicas) en esta herramienta.** El uso de accesorios incorrectos puede producir lesiones.
- r) **Siempre utilice el mango lateral. Ajuste el mango con firmeza.** Se debe utilizar siempre el mango lateral para mantener el control de la herramienta en todo momento.
- s) **Al arrancar la herramienta con un disco nuevo o de repuesto, o un cepillo de alambre nuevo o**

de repuesto, sostenga la herramienta en un área bien protegida y póngala en funcionamiento durante un minuto. Si el disco tiene una grieta o un defecto que haya pasado inadvertido, se romperá en pedazos en menos de un minuto. Si el cepillo de alambre tiene alambres sueltos, serán detectados. Nunca encienda la herramienta si una persona está parada frente al disco. Esta instrucción incluye al operador.

- t) **El uso de accesorios no especificados en este manual no se recomienda y puede ser peligroso.** El uso de amplificadores de potencia que hagan que la herramienta funcione a velocidades mayores que su velocidad nominal constituye un mal uso.
- u) **Use abrazaderas u otra forma práctica de asegurar y apoyar la pieza de trabajo a una plataforma estable.** El sujetar la pieza de trabajo con la mano o contra su cuerpo no proporciona estabilidad y puede causar una pérdida de control.
- v) **Evite hacer rebotar el disco o manejarlo bruscamente.** Si ocurre esto, pare la herramienta e inspeccione el disco para comprobar si hay grietas o defectos.
- w) Maneje y guarde siempre los discos con cuidado.
- x) **No utilice esta herramienta durante períodos largos de tiempo. La vibración causada por la acción de funcionamiento de esta herramienta puede causar una lesión permanente a los dedos, manos y brazos.** Utilice guantes para proporcionar mayor protección, tómese descansos frecuentes y limite el tiempo de uso diario.
- y) **Los orificios de ventilación suelen cubrir las piezas en movimiento, por lo que deben evitarse.** La ropa suelta, las joyas y el pelo largo pueden quedar atrapados en las piezas en movimiento.

El retroceso y Otras Advertencias al Respetto

El retroceso es una reacción repentina al pellizco o atascamiento de un disco giratorio, una almohadilla de respaldo, un cepillo o cualquier otro accesorio. El pellizco o el atascamiento hacen que el accesorio giratorio se trabé rápidamente, lo que a su vez provoca que la herramienta eléctrica fuera de control vaya en sentido opuesto al giro del accesorio en el punto del atascamiento.

Por ejemplo, si la pieza de trabajo atasca o pellizca el disco abrasivo, el borde del disco que ingresa en el punto de pliegue puede clavarse en la superficie del material y provocar que el disco salte o se desenganche. El disco puede saltar hacia el operador o en sentido contrario, según la dirección del movimiento del disco en el punto de pellizco. Los discos abrasivos también se pueden romper en estas condiciones.

El retroceso es el resultado de un mal uso de la herramienta o de condiciones o procedimientos operativos incorrectos y se puede evitar tomando las precauciones apropiadas que se indican a continuación:

- a) **Sostenga la herramienta eléctrica con firmeza y ubique el cuerpo y el brazo para poder resistir las**

fuerzas de retroceso. Siempre utilice el mango lateral, en caso de tenerlo, para lograr el máximo control sobre el retroceso o la reacción de torsión durante el encendido. El operador puede controlar la reacción de torsión o las fuerzas de retroceso si toma las precauciones adecuadas.

- b) **Nunca coloque la mano cerca del accesorio giratorio, ya que éste puede hacer un retroceso sobre la mano.**
- c) **No ubique el cuerpo en el área hacia donde la herramienta eléctrica se desplazará si se produce un retroceso.** El retroceso impulsará la herramienta en la dirección opuesta al movimiento del disco en el punto de atascamiento.
- d) **Tenga especial cuidado al trabajar en esquinas, bordes filosos, etc. Evite hacer rebotar o enganchar el accesorio.** Las esquinas, los bordes filosos y el rebote tienden a enganchar el accesorio giratorio y producir la pérdida de control o el retroceso de la unidad.
- e) **No conecte una hoja para carpintería para sierra de cadena ni una hoja de sierra dentada.** Estas hojas pueden producir el retroceso y la pérdida de control frecuentes.

Advertencias de Seguridad Específicas para Operaciones de Esmerilado y Cortes Abrasivos

- a) **Utilice sólo los tipos de disco recomendados para su herramienta eléctrica y el protector específico para el disco seleccionado.** Los discos para los que la herramienta eléctrica no está diseñada no pueden protegerse adecuadamente y son inseguros.
- b) **La superficie de esmerilado de los discos de centro hundido debe montarse por debajo del borde del protector.** Un disco montado incorrectamente que se proyecte a través del plano del borde del protector no puede protegerse adecuadamente.
- c) **El protector debe fijarse en forma segura a la herramienta eléctrica y ubicarse para brindar la máxima seguridad, de manera que una mínima parte del disco quede expuesta hacia el operador.** El protector ayuda a proteger al operador de los fragmentos despedidos por discos rotos, del contacto accidental con el disco y de chispas que podrían prender fuego a la ropa.
- d) **Los discos sólo deben utilizarse para las aplicaciones recomendadas. Por ejemplo: no esmerile con el costado del disco de corte.** Los discos para cortes abrasivos están diseñados para esmerilados periféricos, si se aplican fuerzas laterales a estos discos, pueden romperse.
- e) **Siempre utilice bridas de disco en buen estado, con la forma y el tamaño apropiados para el disco seleccionado.** Las bridas de disco adecuadas brindan soporte al disco, además de

reducir la posibilidad de que el disco se rompa.
Las bridas de los discos de corte pueden ser diferentes a las bridas de discos de esmerilado.

- f) **No utilice discos desgastados de herramientas eléctricas más grandes.** Los discos diseñados para herramientas eléctricas más grandes no son apropiados para la mayor velocidad de una herramienta más pequeña y pueden estallar.

Advertencias de Seguridad Adicionales Específicas para Operaciones de Corte Abrasivo

- a) **No "atasque" el disco de corte ni aplique una presión excesiva. No intente realizar una profundidad de corte excesiva.** La sobrecarga de tensión sobre el disco aumenta la carga y la posibilidad de que el disco se tuerza o trabe durante el corte y se produzca un retroceso o la rotura del disco.
- b) **No ubique el cuerpo en línea y detrás del disco giratorio.** Cuando el disco, en funcionamiento, se aleja de su cuerpo, el posible retroceso puede despegar el disco giratorio y la herramienta eléctrica irá directamente hacia usted.
- c) **Cuando el disco se atasque o deba interrumpir el corte por algún motivo, apague la herramienta eléctrica y manténgala inmóvil hasta que el disco se detenga completamente. Nunca intente retirar el disco del corte mientras está en movimiento, ya que se puede producir un retroceso.** Investigue y tome las medidas correctivas para eliminar la causa del atascamiento del disco.
- d) **No vuelva a iniciar la operación de corte en la pieza de trabajo. Deje que el disco alcance la velocidad máxima y vuelva a entrar cuidadosamente en el corte.** El disco puede atascarse, saltarse del trabajo o producir un retroceso si la herramienta eléctrica se vuelve a encender dentro de la pieza de trabajo.
- e) **Sostenga los paneles o cualquier pieza de trabajo con sobreespesor para minimizar el riesgo de que el disco se pellizque o se produzca un retroceso. Las piezas de trabajo grandes tienden a combarse por su propio peso.** Los apoyos deben colocarse debajo de la pieza de trabajo, cerca de la línea de corte y cerca del borde de la pieza de trabajo, a ambos lados del disco.
- f) **Sea muy cuidadoso cuando realice un "corte interno" en paredes existentes o en otras zonas ciegas.** El disco que sobresale puede cortar cañerías de gas o agua, cables eléctricos u objetos que pueden producir un retroceso.

Advertencias de Seguridad Específicas para Operaciones de Lijado

- a) **No utilice papel para disco de lijar con sobreespesor excesivo. Siga las recomendaciones del fabricante al seleccionar el papel de lija.**
Los papeles de lija más grandes que sobrepasan

la almohadilla de lijado representan un peligro de laceración y pueden provocar el retroceso o que el disco se enganche o se rompa.

Advertencias de Seguridad Específicas para Operaciones de Cepillado con Cepillo de Alambre

- a) **Tenga en cuenta que las cerdas de alambre se desprenden del cepillo incluso durante el funcionamiento común. No sobrecargue los alambres al aplicar una carga excesiva al cepillo.** Las cerdas de alambre pueden penetrar fácilmente la ropa liviana y la piel.
- b) **Si se recomienda la utilización de un protector para el cepillado con cepillo de alambre, no permita ninguna interferencia entre el disco o cepillo de alambre y el protector.** El disco o cepillo de alambre puede expandir su diámetro debido a las fuerzas centrífugas y de trabajo.
- c) **El operador y otras personas que se encuentren a no más de 15,2 m (50 pies) de este producto en funcionamiento DEBEN usar lentes de seguridad con pantallas laterales de protección y una pantalla facial conforme con la norma ANSI Z87.1.**

Instrucción Adicional de Seguridad



ADVERTENCIA: Nunca modifique la herramienta eléctrica, ni tampoco ninguna de sus piezas. Podría producir lesiones corporales o daños.



ADVERTENCIA: Use **SIEMPRE** lentes de seguridad. Los anteojos de diario **NO SON** lentes de seguridad. Utilice además una cubrebocas o mascarilla antipolvo si la operación de corte genera demasiado polvo. **SIEMPRE LLEVE EQUIPO DE SEGURIDAD CERTIFICADO:**

- protección ocular ANSI Z87.1 (CAN/CSA Z94.3),
- protección auditiva ANSI S12.6 (S3.19),
- protección respiratoria NIOSH/OSHA/MSHA.



ADVERTENCIA: Algunas partículas de polvo generadas al lijar, serrar, esmerilar y taladrar con herramientas eléctricas, así como al realizar otras actividades de construcción, contienen químicos que el Estado de California sabe que pueden producir cáncer, defectos congénitos u otras afecciones reproductivas. Ejemplos de estos químicos son:

- plomo de algunas pinturas en base a plomo,
- polvo de sílice proveniente de ladrillos y cemento y otros productos de albañilería, y
- arsénico y cromo provenientes de madera tratada químicamente.

Su riesgo de exposición a estos químicos varía, dependiendo de la frecuencia con la cual realiza usted este tipo de trabajo. Para reducir su exposición a estas sustancias químicas: trabaje en una zona bien ventilada y llevando equipos de seguridad aprobados, como mascarillas antipolvo especialmente diseñadas para filtrar partículas microscópicas.

- **Evite el contacto prolongado con polvo generado por el lijado, aserrado, pulido, taladrado y otras actividades de construcción. Vista ropas protectoras y lave las áreas de la piel expuestas con agua y jabón.** Si permite que el polvo se introduzca en la boca u ojos o quede sobre la piel, puede favorecer la absorción de productos químicos peligrosos.



ADVERTENCIA: La utilización de esta herramienta puede generar polvo o dispersarlo, lo que podría causar daños graves y permanentes al sistema respiratorio, así como otras lesiones. Siempre use protección respiratoria aprobada por NIOSH (Instituto Nacional de Seguridad y Salud en el Trabajo) u OSHA (Administración de Seguridad y Salud en el Trabajo) apropiada para la exposición al polvo. Dirija las partículas en dirección contraria a la cara y el cuerpo.



ADVERTENCIA: Siempre lleve la debida protección auditiva personal en conformidad con ANSI S12.6 (S3.19) durante el uso de esta herramienta. Bajo algunas condiciones y duraciones de uso, el ruido producido por este producto puede contribuir a la pérdida auditiva.



ATENCIÓN: Cuando no esté en uso, guarde la herramienta apoyada en un costado sobre una superficie estable, donde no interrumpa el paso o provoque una caída. Algunas herramientas con paquetes de baterías de gran tamaño pueden colocarse paradas sobre el paquete de baterías, pero pueden caerse fácilmente.

La etiqueta de su herramienta puede incluir los siguientes símbolos. A continuación se indican los símbolos y sus definiciones:

V..... voltios	~ or AC..... corriente alterna
Hz..... hertz	⚡ or AC/DC... corriente alterna o directa
min..... minutos	☐..... Construcción de Clase II (doble aislamiento)
— — or DC..... direct current	no..... velocidad sin carga
⊕..... Construcción de Clase I (tierra)	n..... velocidad nominal
.../min..... por minuto	⊕..... terminal de conexión a tierra
BPM..... golpes por minuto	⚠..... símbolo de advertencia de seguridad
IPM..... impactos por minuto	⚠..... radiación visible
RPM..... revoluciones por minuto	☎..... protección respiratoria
sfpm..... pies de superficie por minuto	☎..... protección ocular
SPM..... pasadas por minuto	👂..... protección auditiva
A..... amperios	
W..... vatios	

LA BATERÍA NO ESTÁ CARGADA

La batería no viene completamente cargada de fábrica. Antes de utilizar la batería y el cargador, lea las siguientes instrucciones de seguridad y luego siga los procedimientos

de carga indicados. Cuando pida baterías de repuesto, no olvide indicar el número de catálogo y el voltaje.

Su herramienta utiliza un cargador DeWALT. Lea todas las instrucciones de seguridad antes de usar el cargador. Consulte la tabla al final de este manual para información sobre compatibilidad entre cargadores y baterías.

LEA TODAS LAS INSTRUCCIONES

Instrucciones de Seguridad Importantes Para Todas las Unidades de Batería



ADVERTENCIA: Lea todas las advertencias de seguridad y todas las instrucciones para la batería, el cargador y la herramienta eléctrica. No seguir las advertencias y las instrucciones puede provocar una descarga eléctrica, un incendio y/o lesiones graves.

- **No cargue o use la unidad de batería en atmósferas explosivas, como en presencia de líquidos, gases o polvos inflamables.** Puede que al insertar o sacar la unidad de batería del cargador se inflamen el polvo o los gases.
- **NUNCA fuerce la unidad de batería para que entre en el cargador. NO modifique la unidad de batería en ninguna forma para que entre en un cargador no compatible, pues puede producir una ruptura en la unidad de batería y causar lesiones corporales graves.** Consulte la tabla al final de este manual para ver la compatibilidad entre baterías y cargadores.
- Cargue las unidades de batería sólo en los cargadores designados por DeWALT.
- **NO salpique con ni sumerja en agua u otros líquidos.**
- **No guarde ni use la herramienta y unidad de batería en lugares donde la temperatura pueda alcanzar o superar los 40 °C (104 °F), tales como cobertizos o construcciones de metal durante el verano.** Almacene las unidades de batería en lugares frescos y secos para maximizar su vida útil.
NOTA: No almacene las unidades de batería en la herramienta con el interruptor de gatillo en posición encendida fija. Nunca use cinta adhesiva para mantener el interruptor de gatillo en posición ENCENDIDA.
- **No exponga un paquete de batería o herramienta/aparato a fuego o temperatura excesiva. La exposición a fuego o temperatura mayor a 130°C (265°F) puede causar una explosión.**
- **No incinere la unidad de batería, aunque esté completamente dañada o descargada. La unidad de batería puede explotar si se quema.** Cuando se queman unidades de batería de iones de litio, se producen gases y materiales tóxicos.
- **Si el contenido de la batería entra en contacto con la piel, lave el área de inmediato con agua y un jabón suave.** Si el líquido de la batería entra en contacto con sus ojos, enjuáguelos con agua y los ojos abiertos por 15 minutos o hasta que cese la irritación. Si se requiere de asistencia médica, el electrolito de la batería está

ESPAÑOL

compuesto por una mezcla de carbonatos orgánicos líquidos y sales de litio.

- **El contenido de los elementos abiertos de la batería puede causar irritación en el tracto respiratorio.**

Salga al aire fresco. Si los síntomas persisten, busque asistencia médica.

⚠️ ADVERTENCIA: Peligro de quemaduras. El líquido de la batería puede ser inflamable si se expone a chispas o llamas.

⚠️ ADVERTENCIA: Peligro de incendio. Nunca intente abrir la unidad de batería por ningún motivo. Si la caja exterior de la unidad de batería se triza o daña, no la introduzca en el cargador. No triture, deje caer o dañe la unidad de batería. No use una unidad de batería o un cargador que haya sido golpeado, dejado caer, atropellado o dañado en cualquier forma (por ejemplo, perforado por un clavo, golpeado con un martillo, pisado). Lleve sus unidades de batería dañadas al centro de servicio para que sean recicladas.

Transporte

⚠️ ADVERTENCIA: Peligro de incendio. No guarde o transporte la batería de forma que los terminales expuestos de la misma puedan estar en contacto con objetos metálicos. Por ejemplo, no ponga la batería en delantales, bolsillos, cajas de herramientas, estuches de productos, cajones, etc., junto con clavos, tornillos, y llaves, etc. sueltos. **El transporte de baterías puede causar incendios si sus terminales inadvertidamente entran en contacto con materiales conductores como llaves, monedas, herramientas manuales y otros por el estilo.** El Reglamento sobre Materiales Peligrosos (HMR) del Departamento de Transporte de EE.UU. prohíbe transportar baterías comercialmente o en aviones en el equipaje de mano A MENOS que estén debidamente protegidas contra cortocircuitos. Por lo tanto, cuando transporte baterías individuales, asegúrese de que sus terminales estén protegidos y debidamente aislados de los materiales que pudieran entrar en contacto con ellos y provocar un cortocircuito.

NOTA: Las baterías de iones de litio no deben colocarse dentro del equipaje registrado.

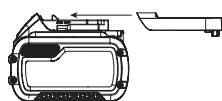
TRANSPORTE DE LA BATERÍA FLEXVOLT™ DE DeWALT

La batería FLEXVOLT™ de DeWALT tiene dos modalidades: **Uso y transporte.**

Modalidad de uso: Cuando la batería FLEXVOLT™ está independiente o está en un producto DeWALT de 20 V Máx* funcionará como una batería de 20 V Máx*. Cuando la batería FLEXVOLT™ está en un producto de 60 V Máx* o 120 V Máx* (dos baterías de 60 V Máx*), funcionará como una batería de 60V Máx* .

Modalidad de transporte:

Cuando la batería FLEXVOLT™ tiene puesta la tapa, la batería está en modalidad de transporte.



Cadenas de celdas están desconectadas eléctricamente dentro de la unidad de batería, lo que resulta en tres baterías con una capacidad nominal de vatios hora (Wh) inferior comparada con una batería con una capacidad nominal de vatios hora superior. Esta mayor cantidad de tres baterías con una capacidad nominal de vatios-hora menor puede hacer que la unidad de batería quede exenta de ciertos reglamentos de transporte que se imponen a las baterías con mayor capacidad nominal de vatios-hora.

La etiqueta en la batería indica dos capacidades nominales de vatios-hora (ver el ejemplo). Dependiendo de cómo se transporta la batería, debe usarse la capacidad nominal vatios-hora apropiada para determinar los requisitos de transporte aplicables. Si se utiliza la tapa de transporte, la unidad de batería será considerada tres baterías con la capacidad nominal de vatios-hora indicada para «Transporte». Si se transporta sin la tapa o en una herramienta, la unidad de batería será considerada una batería con la capacidad nominal de vatios-hora indicada al lado de «Uso».

EJEMPLO DE MARCADO EN ETIQUETA DE USO Y TRANSPORTE

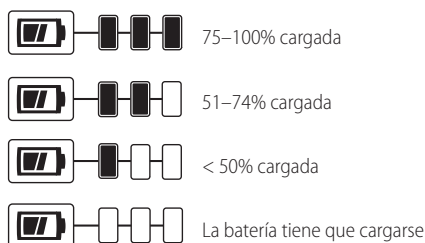
USE: 120 Wh Shipping: 3 x 40 Wh

La capacidad nominal de transporte vatios hora (Wh) indica 3 x 40 Wh, lo cual significa 3 baterías de 40 vatios hora cada una. La capacidad nominal de uso Wh indica 120 vatios hora (se implica una batería).

Unidades de Batería con Indicador de Carga (Fig. B)

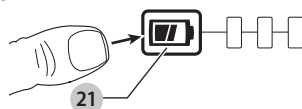
Algunas unidades de batería DeWALT incluyen un indicador de carga que consiste de tres luces LED verdes que indican el nivel de carga que queda en la unidad de batería.

El indicador de carga es una indicación de niveles aproximados de carga que quedan en la batería según los indicadores siguientes:



Para activar el indicador de carga, presione y sostenga el botón del indicador **21**. Se iluminará una combinación de las tres luces LED verdes, que indicará el nivel de carga que queda. Cuando el nivel de carga está por debajo del nivel útil, el indicador no se iluminará, y la batería deberá recargarse.

Fig. B



NOTA: El indicador de carga es sólo eso: un indicador de la carga de la unidad de batería. No indica el nivel de funcionalidad de la herramienta y puede variar de acuerdo a las piezas del producto, la temperatura y la aplicación que el usuario le dé.

Para mayor información sobre unidades de batería con indicadores de carga, por favor llame al 1-800-4-DeWALT (1-800-433-9258) o visite nuestro sitio Web: www.dewalt.com.

El sello RBRC®

El sello RBRC® (Rechargeable Battery Recycling Corporation) en las baterías (unidades de batería) de níquel cadmio, níquel e hidruro metálico o de iones de litio indica que el costo de reciclaje de estas baterías (o unidades de batería) al llegar al final de su vida de servicio ya ha sido pagado por DeWALT. En algunas áreas, es ilegal depositar baterías de níquel cadmio, níquel e hidruro metálico o de iones de litio gastadas en la basura o la corriente de residuos sólidos urbanos; el programa Call 2 Recycle® proporciona una alternativa ecológica.

Call 2 Recycle, Inc., en cooperación con DeWALT y otros usuarios de baterías, han establecido programas en los Estados Unidos y Canadá para facilitar la recolección de baterías de níquel cadmio, níquel e hidruro metálico o de iones de litio gastadas. Al llevar sus baterías de níquel cadmio, níquel e hidruro metálico y de iones de litio gastadas a un centro de servicio autorizado por DeWALT o al minorista local para que sean recicladas, ayuda a proteger el medio ambiente y a conservar recursos naturales. También puede comunicarse con el centro de reciclaje de su localidad para mayor información sobre dónde llevar sus baterías gastadas.

RBRC® es una marca comercial registrada de Call 2 Recycle, Inc.



Instrucciones Importantes de Seguridad Para Todos los Cargadores de Baterías



ADVERTENCIA: Lea todas las advertencias de seguridad y todas las instrucciones para la batería, el cargador y la herramienta eléctrica. No seguir las advertencias y las instrucciones puede provocar una descarga eléctrica, un incendio y/o lesiones graves.

- **NO intente cargar la unidad de batería con otros cargadores que no sean los descritos en este manual.** El cargador y la unidad de batería fueron específicamente diseñados para trabajar en conjunto.
- **Estos cargadores no fueron diseñados para ser utilizados para más que cargar las baterías recargables DeWALT.** Cualquier otro uso puede producir riesgo de incendios, descargas eléctricas o electrocución.
- **No exponga el cargador a la lluvia o a la nieve.**

- **Tire del enchufe y no del cable cuando desconecte el cargador.** De esta forma se reduce el riesgo de daño al enchufe y cable.
- **Asegúrese de que el cable no sea ubicado de manera que podría ser pisado, causar que alguien tropiece con él o ser expuesto a otro tipo de daños y desgastes.**
- **No use un alargador a menos que sea absolutamente necesario.** El uso de un alargador incorrecto podría producir riesgo de incendios, descargas eléctricas o electrocución.
- **Cuando opere un cargador al exterior, hágalo siempre en un lugar seco y use un alargador apropiado para uso al exterior.** El uso de un alargador apropiado para uso al exterior reduce el riesgo de descarga eléctrica.
- **Los hilos del alargador deben ser de un calibre apropiado (AWG o American Wire Gauge) para su seguridad.** Mientras menor sea el calibre del hilo, mayor la capacidad del cable. Es decir, un hilo calibre 16 tiene mayor capacidad que uno de 18. Un cable de un calibre insuficiente causará una caída en la tensión de la línea dando por resultado una pérdida de energía y sobrecalentamiento. Cuando se utilice más de un alargador para completar el largo total, asegúrese que los hilos de cada alargador tengan el calibre mínimo. La tabla siguiente muestra el tamaño correcto a utilizar, dependiendo de la longitud del cable y del amperaje nominal de la placa de identificación. Si tiene dudas sobre cuál calibre usar, use un calibre mayor. Cuanto menor sea el número del calibre, más resistente será el cable.

Calibre mínimo de conjuntos de cables

Voltios	Longitud total del cable en pies (metros)				
	120 V	25 (7,6)	50 (15,2)	100 (30,5)	150 (45,7)
240 V	50 (15,2)	100 (30,5)	200 (61,0)	300 (91,4)	
Amperaje nominal	AWG				
	Más de	Más de	Más de	Más de	Más de
0	6	18	16	16	14
6	10	18	16	14	12
10	12	16	16	14	12
12	16	14	12	Not Recommended	



ADVERTENCIA: Si el enchufe o el cable de alimentación están dañados lo debe reemplazar el fabricante o su representante o por una persona igualmente calificada para evitar peligro.

- **No coloque ningún objeto encima del cargador ni coloque a este sobre una superficie blanda que pudiera bloquear las ranuras de ventilación y resultar en un calor interno excesivo.** Coloque el cargador en un lugar alejado de cualquier fuente de calor. El cargador se ventila a través de las ranuras que se encuentran en la parte superior e inferior de la caja protectora.
- **No opere el cargador si su cable o enchufe están dañados.**

ESPAÑOL

- **No opere el cargador si ha recibido un golpe agudo, si se ha caído o si ha sido dañado de alguna otra forma.** Llévelo a un centro de servicio autorizado.
- **No desarme el cargador; llévelo a un centro de servicio autorizado cuando deba ser reparado.** Si es reensamblado incorrectamente, puede causar descargas eléctricas, electrocución o incendios.
- **Desenchufe el cargador antes de intentar limpiarlo.** Esto reducirá el riesgo de descargas eléctricas. El retirar el paquete de baterías no reducirá este riesgo.
- **NUNCA** intente conectar 2 cargadores entre sí.
- **El cargador está diseñado para operar con una corriente eléctrica estándar residencial de 120 V. No intente usarlo con ningún otro voltaje.** Esto no aplica al cargador vehicular.



ADVERTENCIA: Peligro de descarga eléctrica. No permita que ningún líquido se introduzca en el cargador. Puede producir descargas eléctricas.



ADVERTENCIA: Peligro de quemaduras. No sumerja la unidad de batería en líquido de ningún tipo ni permita que se introduzca ningún tipo de líquido a la unidad de batería. Nunca intente abrir la unidad de batería por ningún motivo. Si la caja plástica de la unidad de batería se triza o rompe, llévela a un centro de servicio para su reciclaje.



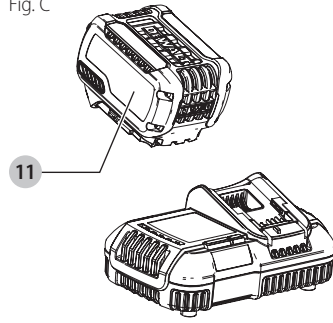
ATENCIÓN: Peligro de quemaduras. Para reducir el riesgo de lesiones, sólo cargue unidades de batería recargables marca DeWALT. Otros tipos de batería podrían sobrecalentarse y reventar lo que podría resultar en lesiones corporales y daños a su propiedad.

AVISO: Bajo ciertas condiciones, cuando el cargador está enchufado a una toma de corriente, el cargador puede hacer cortocircuito si entra en contacto con algún material ajeno. Los materiales ajenos de naturaleza conductora, como el polvo de esmerilado, las placas de metal, la lana de acero, el papel de aluminio y otros, o cualquier acumulación de partículas metálicas deberían mantenerse alejados de las cavidades del cargador. Desenchufe siempre el cargador cuando no haya una unidad de batería en su cavidad. Desenchufe el cargador antes de intentar limpiarlo.

Carga de una Batería (Fig. A, C)

1. Enchufe el cargador en una toma de corriente apropiada antes de introducir la batería.

Fig. C



2. Inserte la batería **11** en el cargador, comprobando esté bien fija. La luz roja (de carga) parpadeará continuamente para indicar que se ha iniciado el proceso de carga.
3. La luz roja se quedará ENCENDIDA continuamente cuando se haya completado el proceso de carga. La batería estará entonces completamente cargada y podrá ser utilizada de inmediato o dejarse en el cargador. Para retirar el paquete de batería del cargador, presione el botón de liberación de la batería **2** en el paquete de batería y deslice el paquete de batería hacia afuera del cargador.

NOTA: Para asegurar el máximo rendimiento y vida útil de las baterías de iones de litio, cargue la batería completamente antes de usarla por primera vez.

Funcionamiento del Cargador

Consulte los indicadores a continuación relativos al estado de carga de la batería.

DCB107, DCB112, DCB113, DCB115, DCB118, DCB132, DCB1106

	Unidad en Proceso de Carga		
	Unidad Cargada		
	Retraso por Unidad Caliente/ Fría*		

*DCB107, DCB112, DCB113, DCB115, DCB118,

DCB132, DCB1106: La luz roja continuará parpadearo, pero una luz indicadora amarilla estará iluminada durante esta operación. Una vez que la batería haya llegado a una temperatura apropiada, la luz amarilla se apagará y el cargador continuará con el procedimiento de carga.

El cargador no cargará una batería defectuosa. El cargador indicará que la unidad de batería es defectuosa al no iluminarse.

NOTA: Esto también puede significar que hay un problema con el cargador.

Si el cargador indica un problema, lleve el cargador y la batería a un centro de servicio autorizado para que sean sometidos a pruebas.

Retraso por Batería Caliente/Frías

Cuando el cargador detecta que una batería está demasiado caliente o demasiado fría, inicia automáticamente un Retraso por batería caliente/frías y suspende la carga hasta que la batería alcanza una temperatura adecuada. En ese momento, el cargador inicia automáticamente el modo

de carga de la batería. Esta función garantiza la máxima duración de la batería.

Una batería fría se carga más lentamente que una batería caliente. La batería se cargará a ese ritmo más lento durante todo el ciclo de carga y no volverá a cargarse a la velocidad de carga máxima incluso si la batería se calienta.

El cargador DCB1 18 está equipado con un ventilador interno diseñado para enfriar la batería. El ventilador se encenderá automáticamente cuando la batería tenga que enfriarse.

No opere nunca el cargador si el ventilador no funciona adecuadamente o si las ranuras de ventilación están obstruidas. No permita que entren objetos extraños dentro del cargador.

Sistema de Protección Electrónica

Las herramientas con baterías de iones de litio están diseñadas con un Sistema de protección electrónico que protegerá la batería contra la sobrecarga, el sobrecalentamiento o la descarga completa.

La herramienta se apagará automáticamente si el Sistema de protección electrónico se activa. Si esto ocurre, coloque la batería de iones de litio en el cargador hasta que esté totalmente cargada.

Montaje en la Pared

DCB107, DCB112, DCB113, DCB115, DCB118, DCB132, DCB1106

Estos cargadores están diseñados para montarse en la pared o colocarse en posición vertical sobre una mesa o superficie de trabajo. Si lo monta en la pared, coloque el cargador al alcance de una toma de corriente eléctrica y alejado de las esquinas u otras obstrucciones que puedan impedir el flujo de aire. Utilice la parte de atrás del cargador como plantilla para la ubicación de los tornillos de montaje en la pared. Monte el cargador firmemente utilizando tornillos para muro seco (comprados por separado) de un mínimo de 25,4 mm (1") de largo, con una cabeza de un diámetro de 7-9 mm (0,28-0,35"), atornillados en madera hasta una profundidad óptima dejando el tornillo expuesto aproximadamente 5,5 mm (7/32"). Alinee las ranuras en la parte trasera del cargador con los tornillos expuestos e introdúzcalos totalmente en las ranuras.

Instrucciones de Limpieza del Cargador



ADVERTENCIA: *Riesgo de descarga eléctrica. Desconecte el cargador del tomacorriente de CA antes de limpiarlo. Para limpiar la suciedad y grasa del exterior del cargador puede usarse un paño o cepillo suave no metálico. No use agua ni soluciones limpiadoras.*

Notas Importantes Sobre la Carga

1. Se puede obtener una mayor duración y un mejor rendimiento si la unidad de batería se carga a una temperatura ambiente de 18–24 °C (65–75 °F). NO cargue cuando el paquete de batería esté debajo de +4,5 °C (+40 °F), o arriba de +40 °C (+104 °F). Esto es importante y evitará causar daños graves a la batería.

2. Puede que el cargador y la unidad de batería se calienten ligeramente durante el proceso de carga. Esto es normal y no representa ningún problema. Para facilitar el enfriamiento de la unidad de batería después del uso, evite colocar el cargador o la unidad de batería en un lugar cálido, como un cobertizo metálico o un remolque sin aislamiento térmico.
3. Si la unidad de batería no se carga correctamente:
 - a. Verifique el funcionamiento de la toma enchufando una lámpara u otro aparato;
 - b. Revise que la toma de corriente no esté conectada a un interruptor de luz que corte la corriente cuando se corte la luz;
 - c. Mueva el cargador y la unidad de batería a un lugar donde la temperatura ambiental sea aproximadamente 18–24 °C (65–75 °F);
 - d. Si el problema de carga continúa, lleve la herramienta, unidad de batería y el cargador a su centro de servicio local.
4. La unidad de batería debería ser recargada cuando no sea capaz de producir suficiente potencia para trabajos que eran fácilmente realizados antes. NO CONTINÚE usándola bajo estas circunstancias. Siga el procedimiento de carga. También puede cargar una unidad de batería que haya sido usada parcialmente cuando lo desee, sin dañarla.
5. Los materiales ajenos conductores por naturaleza, tales como, pero sin limitarse a, el polvo del esmerilado, las virutas metálicas, la lana de acero, el papel de aluminio o cualquier acumulación de partículas metálicas deberían mantenerse alejados de las cavidades del cargador. Desenchufe siempre el cargador de la toma de corriente cuando no haya una unidad de batería en su cavidad. Desenchufe el cargador antes de intentar limpiarlo.
6. No congele ni sumerja el cargador en agua o cualquier otro líquido.

Recomendaciones de Almacenamiento

1. El mejor lugar de almacenamiento es uno que sea fresco y seco, lejos de la luz solar directa y del exceso de calor o frío.
2. Para resultados óptimos durante tiempos prolongados de almacenamiento, se recomienda almacenar la unidad de batería completamente cargada en un lugar fresco y seco fuera del cargador.

NOTA: Las unidades de batería no deberían almacenarse completamente descargadas. La unidad de batería deberá recargarse antes de ser usada.

GUARDE ESTAS INSTRUCCIONES PARA VOLVER A CONSULTAR EN EL FUTURO

Uso Debido

Estas esmeriladoras angulares pequeñas para trabajo pesado están diseñadas para aplicaciones profesionales de esmerilado, lijado, cepillado metálico y corte en diversos lugares de trabajo (por ejemplo, sitios de construcción).

ESPAÑOL

NO deben usarse en condiciones húmedas ni en presencia de líquidos o gases inflamables.

Estas esmeriladoras angulares pequeñas para trabajo pesado son herramientas eléctricas profesionales. **NO** permita que los niños toquen la herramienta. Si el operador no tiene experiencia utilizando esta herramienta, deberá ser supervisado.

E-Clutch™

Esta unidad está equipada con un E-Clutch™ (embrague electrónico), que en caso de carga elevada, la unidad se apagará para reducir la reacción del par de torsión hacia el usuario. El interruptor tiene que encenderse y apagarse para volver a arrancar la herramienta.

Kickback Brake™

Cuando se detecta un enganche, parada o atasco, el freno electrónico se activa con la máxima fuerza para detener el disco rápidamente, reducir el movimiento de la esmeriladora y apagarla. El interruptor tiene que encenderse y apagarse para volver a arrancar la herramienta.

Protección de SOBRECARGA Power-OFF™

El suministro eléctrico del motor se reducirá en caso de sobrecarga del motor. Con una sobrecarga del motor continuada, la herramienta se apagará. El interruptor tiene que encenderse y apagarse para volver a arrancar la herramienta. La herramienta se apagará cada vez que la carga de corriente llegue al valor de corriente de sobrecarga (punto de combustión completa del motor). Si se producen cortes por sobrecarga continuos, aplique menos fuerza/peso sobre la herramienta hasta que ésta funcione sin la activación de sobrecarga.

Arranque Suave Electrónico

Esta característica limita la velocidad inicial de arranque, permitiendo que la herramienta alcance la velocidad máxima gradualmente en un período de un segundo.

MONTAJE Y AJUSTES

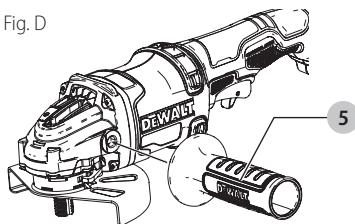


ADVERTENCIA: Para disminuir el riesgo de lesiones corporales graves, apague la herramienta y extraiga la batería antes de realizar cualquier ajuste o de quitar o instalar accesorios. La puesta en marcha accidental puede causar lesiones.

Fijación del Mango Lateral (Fig. D)

El mango lateral **5** puede insertarse en cualquiera de los lados de la caja de engranajes en los orificios roscados. Antes de utilizar la herramienta, compruebe que el mango esté bien apretado.

Fig. D

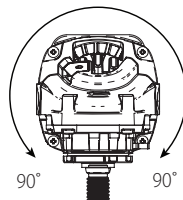


Rotación de la Caja de Engranajes (Fig. E)

Para mejorar la comodidad del usuario, la caja de engranajes girará 90° para las operaciones de corte.

1. Saque los tornillos de las cuatro esquinas que unen la caja de engranajes a la carcasa del motor.
2. Sin separar la caja de engranajes de la carcasa del motor, gire la cabeza de la caja de engranajes hasta la posición deseada.

Fig. E



NOTA: Si la caja de engranajes y la carcasa del motor se separan más de 3,17 mm (1/8"), la herramienta debe ser reparada y reensamblada por un centro de servicio DeWALT. El no llevar la herramienta para que sea reparada puede ocasionar fallas en el motor y los cojinetes.

3. Vuelva a instalar los tornillos para unir la caja de engranajes a la carcasa del motor. Apriete los tornillos hasta un par de 12,5 pulg.-lbs. Si se aprietan demasiado, la rosca puede desgastarse.

Protectores



ATENCIÓN: Deben usarse protectores con todos los discos de esmerilar, discos de corte, discos de aleta para lijar, cepillos y discos de alambre. La herramienta puede usarse sin un protector solamente cuando se lije con discos para lijar convencionales. Consulte la Figura A para ver los protectores suministrados con la unidad. Algunas aplicaciones pueden requerir la compra del protector correcto de su distribuidor local o centro de servicio autorizado.

NOTA: El esmerilado y corte de bordes puede realizarse con discos tipo 27 diseñados y especificados para este propósito; los discos de un grosor de 6,35 mm (1/4") están diseñados para el esmerilado de superficies mientras que debe examinarse la etiqueta del fabricante de los discos tipo 27 más finos para ver si pueden ser utilizados para el esmerilado de superficies o solamente para el esmerilado/corte de bordes. Debe utilizarse un protector tipo 1/41 para cualquier disco cuando el esmerilado de superficies esté prohibido. Los cortes pueden realizarse también utilizando un disco tipo 1/41 y un protector tipo 1/41.

NOTA: Consulte la **Tabla de accesorios** para seleccionar la combinación apropiada de protector/accesorio.

Ajustar y Montar el Protector (Figs F, G)

⚠ ATENCIÓN: Apague la unidad y desenchufe la herramienta antes de hacer cualquier ajuste o de extraer o colocar complementos o accesorios.

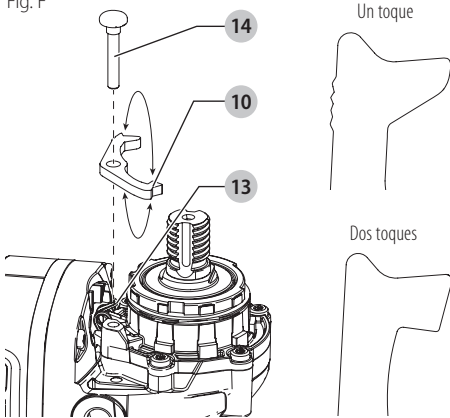
⚠ ATENCIÓN: ANTES de utilizar la herramienta, compruebe con qué opción de ajuste está configurada.

Opciones de ajuste

Para ajustar el protector, la palanca de liberación del protector **10** encaja en los orificios de alineación **17** del collar del protector usando una forma dentada. La amoladora ofrece dos opciones para este ajuste.

- **One-touch™:** En esta posición la cara de encaje está inclinada y pasa al próximo orificio de alineación al girar el protector en sentido horario (usuario mirando el eje), pero se autobloquea en sentido antihorario.
- **Two-touch™:** En esta posición la cara de encaje está recta y en escuadra. NO pasará al próximo orificio de alineación salvo que la palanca de liberación del protector la apriete y la mantenga apretada al mismo tiempo que gira el protector en sentido horario o antihorario (usuario mirando el eje).

Fig. F



Configurar las Opciones de Ajuste del Protector

Para ajustar la palanca de liberación del protector **10** en la opción de ajuste deseada:

1. Saque el tornillo **14** usando una punta T20.
2. Extraiga la palanca de liberación del protector tomando nota de la posición del muelle. Elija el extremo de la palanca para la opción de ajuste deseada. One-touch inclinará el extremo de la palanca **10** para introducir los orificios de alineación **17** en el collar del protector. Two-touch utilizará el extremo en escuadra para alinear los orificios de alineación **17** en el collar del protector.
3. Vuelva a colocar la palanca posicionando el extremo elegido debajo del muelle **13**. Compruebe que la palanca esté correctamente en contacto con el muelle.

4. Vuelva a colocar el tornillo y apriete a 2,0-3,0 N-m. Compruebe que esté correctamente montado con la función de retorno del muelle apretando la palanca de liberación del protector **10**.

Montaje del Protector (Fig. G)

⚠ ATENCIÓN: Antes de montar el protector, compruebe que el tornillo, la palanca y el muelle estén correctamente colocados.

1. Con el eje mirando hacia el operador, apriete y mantenga apretada la palanca de liberación del protector **10**.
2. Alinee las lengüetas **15** del protector con las ranuras **16** ubicadas en la caja de transmisión.
3. Empuje el protector hacia abajo hasta que las lengüetas del protector se introduzcan y gírelos en la ranura del cubo de la caja de transmisión. Suelte la palanca de liberación del protector.

4. Para poner en posición el protector:

One-touch™: Gire el protector en sentido horario hacia la posición de trabajo deseada. Apriete y mantenga apretada la palanca de liberación del protector **10** para girar el protector en dirección antihoraria.

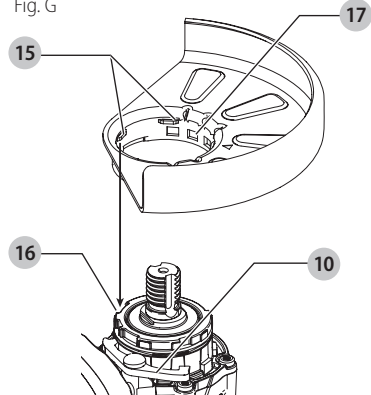
Two-touch™: Apriete y mantenga apretada la palanca de liberación del protector **10**. Gire el protector en sentido horario o antihorario para ponerlo en la posición de trabajo deseada.

NOTA: El cuerpo del protector deberá estar ubicado entre el eje y el operador, para ofrecer la máxima protección al operador.

La palanca de liberación del protector debe introducirse en uno de los orificios de alineación **17** del collar del protector. Esto garantiza que el protector quede firme.

5. Para retirar el protector, siga las etapas 1-3 de las presentes instrucciones en el orden contrario.

Fig. G



Bridas y Discos

⚠ ADVERTENCIA: Para disminuir el riesgo de lesiones corporales graves, apague la herramienta y extraiga la batería antes de realizar cualquier ajuste o de quitar o instalar accesorios. La puesta en marcha accidental puede causar lesiones.

Montaje de Discos sin Cubo (Fig. H)

⚠️ ADVERTENCIA: El no fijar adecuadamente la brida/ tuerca de fijación/disco podría ocasionar lesiones graves (o daño a la herramienta o el disco). Ó

⚠️ ATENCIÓN: Las bridas incluidas deben usarse con discos de esmerilado tipo 27 con el centro hundido y discos de corte tipo 1/41 y tipo 27/42. Consulte la **Tabla de accesorios** para obtener más información.

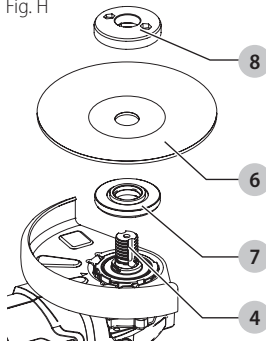
⚠️ ADVERTENCIA: Al usar discos de corte es necesario un protector de disco de corte cerrado, con dos lados. Los discos de corte incluyen discos de diamante y discos abrasivos. Están disponibles los discos de corte abrasivos para uso en metal y concreto. Pueden utilizarse también hojas de diamante para cortes en concreto.

⚠️ ATENCIÓN: Las bridas incluidas deben utilizarse con todos los accesorios sin cubo excepto los discos de lijado convencionales.

⚠️ ADVERTENCIA: El usar una brida o protector dañados o el no usar una brida y protector adecuados puede ocasionar lesiones debido a la rotura del disco y al contacto con el disco. Consulte la **Tabla de accesorios** para obtener más información.

1. Instale la brida de respaldo sin rosca **7** en el eje **4** con la sección elevada (piloto) mirando hacia el disco, como se muestra.
2. Coloque el disco contra la brida de respaldo, centrando el disco en la sección elevada (piloto) de la brida de respaldo.
3. Mientras presiona el botón de bloqueo del eje y con las depresiones hexagonales mirando al lado opuesto del disco, enrosque la brida de bloqueo **8** en el eje para que las lengüetas se engranen en las dos ranuras del eje.
4. Mientras presiona el botón del seguro del eje, apriete la brida de bloqueo con una llave.
5. Para sacar el disco, presione el botón del seguro del eje y afloje la brida de bloqueo con rosca con una llave.

Fig. H



Montaje de las Almohadillas de Respaldo de Lijado (Fig. A, I)

NOTA: No es necesario el uso de un protector con discos para lijado que utilizan almohadillas de respaldo, a menudo llamados discos de resina de fibra. Puesto que no se necesita

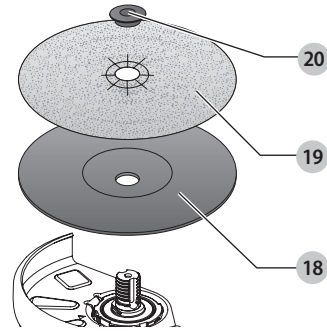
un protector para estos accesorios, el protector puede ajustarse o no correctamente si se utiliza.

⚠️ ADVERTENCIA: El no fijar adecuadamente la brida/ tuerca de fijación/disco podría ocasionar lesiones graves (o daño a la herramienta o el disco).

⚠️ ADVERTENCIA: Debe volver a instalarse un protector adecuado para aplicaciones con disco de esmerilado, disco de corte, disco de lijado con aletas, cepillo de alambre o disco de alambre una vez terminadas las aplicaciones de lijado.

1. Retire la brida interna.
2. Coloque o enrosque adecuadamente la almohadilla de respaldo **18** en el eje.
3. Coloque el disco de lijado **19** en la almohadilla de respaldo **18**.
4. Presionando el botón del seguro del eje **3**, enrosque la tuerca de fijación **20** en el eje, colocando el cubo elevado de la tuerca de fijación en el centro del disco de lijado y la almohadilla de respaldo.

Fig. I



5. Apriete a mano la tuerca de fijación. Luego presione el botón del seguro del eje mientras gira el disco de lijado hasta que éste y la tuerca de fijación estén bien ajustados.
6. Para retirar el disco, agarre y gire la almohadilla de respaldo y la almohadilla de lijado mientras presiona el botón de bloqueo del eje.

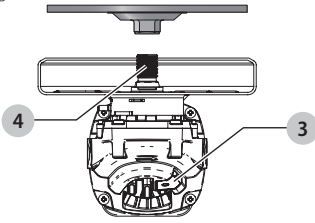
Montaje y Retiro de los Discos con Cubo (Fig. J)

⚠️ ADVERTENCIA: El no fijar adecuadamente la brida/ tuerca de fijación/disco podría ocasionar lesiones graves (o daño a la herramienta o el disco).

Los discos con cubo se instalan directamente en el eje roscado de 5/8"-11. La rosca del accesorio debe coincidir con la rosca del eje.

1. Saque la brida de respaldo jalándola de la herramienta.
2. Enrosque el disco en el eje **4** a mano.
3. Presione el botón de seguro del eje **3** y utilice una llave para apretar el cubo del disco.
4. Invierta el procedimiento anterior para retirar el disco.

Fig. J



AVISO: El no colocar bien el disco antes de encender la herramienta puede ocasionar daño a ésta o al disco.

Montaje de Cepillos de Copa de Alambre y Discos de Alambre

⚠ ATENCIÓN: Para reducir el riesgo de lesiones corporales, use guantes de trabajo cuando maneje cepillos y discos de alambre. Pueden estar afilados.

⚠ ATENCIÓN: Para reducir el riesgo de daño a la herramienta, el disco o el cepillo no deben tocar el protector al montarse o durante su uso. Podría producirse un daño no detectable al accesorio, que ocasione la fragmentación de alambres del accesorio de disco o cepillo de copa.

Los cepillos de copa de alambre o los discos de alambre se enrosca directamente al eje de la esmeriladora sin el uso de bridas. Utilice solamente los cepillos o discos de alambre suministrados con un cubo roscado de 5/8"-11. Se requiere un protector tipo 27 al utilizar cepillos y discos de alambre.

1. Enrosque el disco en el eje a mano.
2. Presione el botón del seguro del eje y utilice una llave en el cubo del disco o cepillo de alambre para apretar el disco.
3. Para retirar el disco, invierta el procedimiento anterior.

AVISO: Para reducir el riesgo de daño a la herramienta, fije bien el cubo del disco antes de encender la herramienta.

OPERACIÓN

⚠ ADVERTENCIA: Para reducir el riesgo de lesiones personales graves, apague la herramienta y retire el paquete de baterías antes de realizar ajustes o de retirar/instalar dispositivos o accesorios. Un arranque accidental podría causar lesiones.

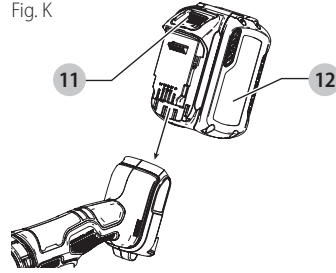
Cómo instalar y Retirar la Unidad de Batería (Fig. K)

NOTA: Para mejores resultados, verifique que su unidad de batería esté completamente cargada.

Para instalar la unidad de batería **11** en el mango de la herramienta, alinee la unidad de batería con los rieles en el interior del mango de la herramienta y deslícela en el mango hasta que la unidad de batería quede firmemente insertada en la herramienta; verifique que ésta no se salga sola.

Para retirar la unidad de alimentación de la herramienta, presione los botones de liberación **12** y tire firmemente de la unidad de batería para sacarla del mango de la herramienta. Insértela en el cargador tal como se describe en la sección del cargador de este manual.

Fig. K



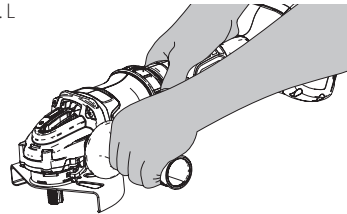
Posición Adecuada de las Manos (Fig. L)

⚠ ADVERTENCIA: Para reducir el riesgo de lesión personal grave, tenga **SIEMPRE** las manos en una posición adecuada como se muestra.

⚠ ADVERTENCIA: Para reducir el riesgo de lesión personal grave, sujete **SIEMPRE** bien en caso de que haya una reacción repentina.

Para tener una posición adecuada de las manos, ponga una mano en el mango principal y la otra en el mango lateral.

Fig. L



Interruptor de Gatillo y Palanca de Bloqueo en Apagado (Fig. M)

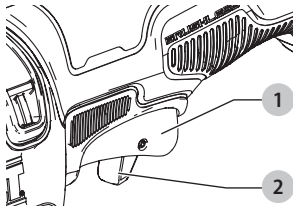
⚠ ADVERTENCIA: Antes de utilizar la herramienta, compruebe que el mango lateral esté bien apretado.

⚠ ADVERTENCIA: Sujete el mango lateral y el mango principal de la herramienta firmemente para mantener el control de la herramienta durante la puesta en marcha y durante el uso de la misma y hasta que el disco o accesorio deje de rotar. Asegúrese de que el disco se haya parado por completo antes de tumbar la herramienta.

1. Para encender la herramienta, empuje la palanca de bloqueo en apagado **2** hacia la parte trasera de la herramienta, luego apriete el interruptor de gatillo **1**. La herramienta funcionará mientras el interruptor esté apretado.
2. Apague la herramienta soltando el interruptor de liberación.

⚠ ADVERTENCIA: Deje que la herramienta alcance la velocidad máxima antes de ponerla en contacto con la superficie de trabajo. Levante la herramienta de la superficie de trabajo antes de apagarla.

Fig. M



NOTA: Esta herramienta no está prevista para bloquear el interruptor en la posición de encendido, y nunca debe bloquearse en la posición de encendido por ningún otro medio.

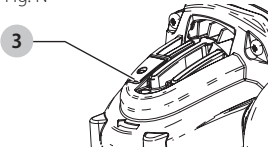
Botón del Seguro del Eje (Fig. N)

El botón del seguro del eje (3) sirve para evitar que el eje gire al instalar o extraer discos. Utilice el botón del seguro del eje solo cuando la herramienta esté apagada y desenchufada y el disco se haya parado por completo.

AVISO: Para reducir el riesgo de daño a la herramienta, no active el botón del seguro del eje mientras la herramienta esté en funcionamiento. Se ocasionará daño a la herramienta y el accesorio puesto puede salirse resultando posiblemente en una lesión.

Para activar el seguro, apriete el botón del seguro del eje (3) y gire el eje hasta que no pueda hacerlo girar más.

Fig. N



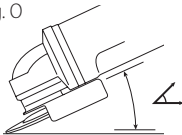
Esmerilado, Lijado y cepillado Metálico de Superficies (Fig. O)

ATENCIÓN: Utilice siempre un protector correcto según las instrucciones de este manual.

Para realizar un trabajo en la superficie de una pieza de trabajo:

1. Permita que la herramienta alcance la velocidad máxima antes de que toque la superficie de trabajo.
2. Aplique una presión mínima a la superficie de trabajo, permitiendo a la herramienta operar a alta velocidad. La velocidad de eliminación de material es mayor cuando la herramienta opera a velocidad alta.

Fig. O



Mantenga un ángulo apropiado entre la herramienta y la superficie de trabajo. Consulte la tabla según la función particular

Función	Ángulo ∠
Esmerilado	20° -30°
Lijado con disco de aletas	5° -10°
Lijado con almohadilla de respaldo	5° -15°
Cepillado metálico	5° -10°

3. Mantenga el contacto entre el borde del disco y la superficie de trabajo.

- Para operaciones de esmerilado, lijado con discos de aletas o cepillado metálico desplace la herramienta continuamente con un movimiento hacia adelante y hacia atrás para evitar crear surcos en la superficie de trabajo.
- Si lija con una almohadilla de respaldo, desplace la herramienta constantemente en línea recta para no quemar ni rayar la superficie de trabajo.

NOTA: Permitir que la herramienta se apoye en la superficie de trabajo sin desplazarla dañará la pieza de trabajo.

4. Quite la herramienta de la superficie de trabajo antes de apagarla. Permita que la herramienta deje de girar antes de soltarla.

ATENCIÓN: Tenga mucho cuidado cuando trabaje sobre un borde, pues puede producirse un movimiento brusco y repentino de la esmeriladora.

Precauciones que Deben Tomarse al Trabajar en una Pieza de trabajo Pintada

1. NO SE RECOMIENDA el lijado o cepillado metálico de pinturas a base de plomo debido a la dificultad de controlar el polvo contaminado. La intoxicación por plomo es más peligrosa para niños y mujeres embarazadas.
2. Ya que es difícil identificar si una pintura contiene plomo o no, sin antes hacer un análisis químico, recomendamos que se tomen las siguientes precauciones al lijar cualquier pintura:

Seguridad personal

1. Ningún niño o mujer embarazada debería entrar al área de trabajo donde se esté lijando o cepillando con escobilla metálica pintura hasta que se haya terminado de limpiar el área.
2. Todas las personas que entren en el área de trabajo deben usar una mascarilla antipolvo o un respirador. El filtro debería ser reemplazado a diario o cuando el usuario tenga dificultades para respirar.

NOTA: Sólo se deberían utilizar aquellas mascarillas antipolvo adecuadas para trabajar con polvo y gases de pinturas con plomo. Las mascarillas regulares para pintar no ofrecen esta protección. Visite su distribuidor de ferretería local para obtener la máscara N.I.O.S.H. correcta.

3. No se debe COMER, BEBER o FUMAR en el área de trabajo para evitar ingerir partículas de pintura contaminada. Los trabajadores se deben lavar y limpiar

ANTES de comer, beber o fumar. No deben dejarse artículos de comida, bebida o tabaco en el área de trabajo donde se podría depositar polvo sobre ellos.

Seguridad ambiental

1. La pintura debe ser retirada de manera que se reduzca al mínimo la cantidad de polvo generado.
2. Las áreas donde se realiza remoción de pintura deben estar selladas con láminas de plástico de 4 mm de grosor.
3. El lijado debería hacerse de modo que se reduzcan los vestigios de polvo de pintura fuera del área de trabajo.

Limpieza y eliminación de residuos

1. Todas las superficies del área de trabajo deben ser limpiadas en profundidad y repasadas con aspiradora todos los días mientras dure el proyecto de lijado. Las bolsas de filtro de la aspiradora deben cambiarse con frecuencia.
2. Las láminas de protección de plástico deben recogerse y eliminarse junto con el polvo y cualquier otro residuo. Deberán colocarse en un recipiente para desechos sellado y eliminarse de acuerdo con los procedimientos normales de eliminación de la basura. Durante la limpieza, se impedirá a niños y mujeres embarazadas el acceso al área de trabajo.
3. Todos los juguetes, muebles lavables y utensilios usados por niños deberán lavarse a fondo antes de volverlos a usar.

Esmerilado y Corte de Bordes (Fig. P)

ADVERTENCIA: No use discos de esmerilado/corte de bordes para aplicaciones de esmerilado de superficies porque estos discos no están diseñados para soportar las presiones laterales que se producen con el esmerilado de superficies. Puede producirse una rotura del disco y lesiones.

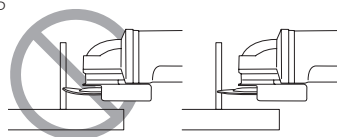
ATENCIÓN: Los discos utilizados para el esmerilado y corte de bordes pueden romperse o rebotar si se doblan o se tuercen cuando se usa la herramienta. En todas las operaciones de esmerilado/corte de bordes, el lado abierto del protector debe situarse lejos del operador.

ADVERTENCIA: El esmerilado/corte de bordes con un disco tipo 27 debe limitarse a cortes poco profundos y muescas, menores de 13 mm (1/2") de profundidad, cuando el disco es nuevo. Reduzca la profundidad de corte/muesca equivalente a la reducción del radio del disco a medida que se desgaste. Consulte la **Tabla de accesorios** si desea más información. El esmerilado/corte de bordes con un disco tipo 1/41 requiere el uso de un protector tipo 1/41.

1. Permita que la herramienta alcance la velocidad máxima antes de que toque la superficie de trabajo.
2. Aplique una presión mínima a la superficie de trabajo, permitiendo a la herramienta operar a alta velocidad. La velocidad de esmerilado/corte es mayor cuando la herramienta opera a velocidad alta.

3. Colóquese de forma que la parte inferior abierta del disco quede en el lado opuesto a usted.
4. Una vez haya empezado a cortar y haya realizado una ranura en la pieza de trabajo, no cambie el ángulo de corte. Cambiar el ángulo hará que el disco se curve, lo que podría romperlo. Los discos para esmerilado de bordes no están diseñados para soportar las presiones laterales provocadas por el curvado.
5. Retire la herramienta de la superficie de trabajo antes de apagarla. Permita que la herramienta deje de girar antes de soltarla.

Fig. P



MANTENIMIENTO

ADVERTENCIA: Para reducir el riesgo de lesiones personales graves, apague la herramienta y retire el paquete de baterías antes de realizar ajustes o de retirar/instalar dispositivos o accesorios. Un arranque accidental podría causar lesiones.

Su herramienta DeWALT ha sido diseñada para funcionar durante un largo período con un mínimo de mantenimiento. Un funcionamiento continuo satisfactorio depende del cuidado adecuado de la herramienta y de una limpieza periódica.

Limpieza

ADVERTENCIA: Sopla la suciedad y el polvo de todos los conductos de ventilación con aire seco, al menos una vez por semana. Para reducir el riesgo de lesiones, utilice siempre protección para los ojos aprobada ANSI Z87.1 al realizar esta tarea.

ADVERTENCIA: Nunca utilice solventes ni otros químicos abrasivos para limpiar las piezas no metálicas de la herramienta. Estos productos químicos pueden debilitar los materiales plásticos utilizados en estas piezas. Utilice un paño humedecido sólo con agua y jabón neutro. Nunca permita que penetre líquido dentro de la herramienta ni sumerja ninguna de las piezas en un líquido.

Accesorios

La capacidad de esta herramienta es para discos de esmerilado o corte de 150 mm (6") de diámetro y 6,35 mm (1/4") de grosor. Es importante seleccionar los protectores, las almohadillas de respaldo y las bridas correctos a utilizar con los accesorios de la esmeriladora. Consulte la **Tabla de accesorios** para obtener información sobre la elección de los accesorios correctos.

ADVERTENCIA: Los accesorios deben estar clasificados para la velocidad recomendada en la etiqueta de advertencia de la herramienta, como mínimo. Los discos y otros accesorios que funcionen por encima de su velocidad nominal pueden

ESPAÑOL

desarmarse y provocar lesiones. Los accesorios roscados deben tener un cubo de 5/8"-11. Todo accesorio no roscado debe tener un agujero para mandril de 22,2 mm (7/8"). De no ser así, puede estar diseñado para una sierra circular. Utilice solamente los accesorios mostrados en la **Tabla de accesorios** de este manual. La velocidad nominal de los accesorios debe ser siempre superior a la velocidad de la herramienta, indicada en la placa de ésta.



ADVERTENCIA: Manipule y almacene todos los discos abrasivos con cuidado para evitar daños producidos por choque térmico, calor, daño mecánico, etc.. Guárdelos en un lugar seco y protegido donde no haya un nivel elevado de humedad, temperaturas de congelación o cambios de temperatura extremos.



ADVERTENCIA: Debido a que no se han probado con este producto otros accesorios que no sean los que ofrece DeWALT., el uso de dichos accesorios con esta herramienta podría ser peligroso. Para reducir el riesgo de lesiones, con este producto deben usarse sólo los accesorios recomendados por DeWALT.

Los accesorios que se recomiendan para utilizar con la herramienta están disponibles a un costo adicional en su distribuidor local o en un centro de mantenimiento autorizado. Si necesita ayuda para localizar algún accesorio, póngase en contacto con DeWALT Industrial Tool Co., 701 East Joppa Road, Towson, MD 21286, llame al 1-800-4-DeWALT (1-800-433-9258) o visite nuestro sitio web: www.dewalt.com.

Reparaciones

El cargador y las unidades de batería no pueden ser reparados.



ADVERTENCIA: Para asegurar la **SEGURIDAD** y la **CONFIABILIDAD** del producto, las reparaciones, el mantenimiento y los ajustes deben (inclusive inspección y cambio de carbones) ser realizados en un centro de mantenimiento en la fábrica DeWALT u en un centro de mantenimiento autorizado DeWALT. Utilice siempre piezas de repuesto idénticas.

Para reparación y servicio de sus herramientas eléctricas, favor de dirigirse al Centro de Servicio más cercano

CULIACAN, SIN

Blvd. Emiliano Zapata 5400-1 Poniente Col. (667) 717 89 99
San Rafael

GUADALAJARA, JAL

Av. La Paz #1779 - Col. Americana Sector (33) 3825 6978
Juárez

MEXICO, D.F.

Eje Central Lázaro Cárdenas No. 18 - Local (55) 5588 9377
D, Col. Obrera

MERIDA, YUC

Calle 63 #459-A - Col. Centro (999) 928 5038

MONTERREY, N.L.

Av. Francisco I. Madero 831 Poniente - Col. (818) 375 23 13
Centro

PUEBLA, PUE

17 Norte #205 - Col. Centro (222) 246 3714

QUERETARO, QRO

Av. San Roque 274 - Col. San Gregorio (442) 2 17 63 14

SAN LUIS POTOSI, SLP

Av. Universidad 1525 - Col. San Luis (444) 814 2383

TORREON, COAH

Blvd. Independencia, 96 Pte. - Col. Centro (871) 716 5265

VERACRUZ, VER

Prolongación Díaz Mirón #4280 - Col. (229) 921 7016
Remes

VILLAHERMOSA, TAB

Constitución 516-A - Col. Centro (993) 312 5111

PARA OTRAS LOCALIDADES:

**Si se encuentra en México, por favor llame al
(55) 5326 7100**

**Si se encuentra en U.S., por favor llame al
1-800-433-9258 (1-800 4-DeWALT)**

Póliza de Garantía

IDENTIFICACIÓN DEL PRODUCTO:

Sello o firma del Distribuidor.

Nombre del producto: _____

Mod./Cat.: _____

Marca: _____

Núm. de serie: _____

(Datos para ser llenados por el distribuidor)

Fecha de compra y/o entrega del producto: _____

Nombre y domicilio del distribuidor donde se adquirió el producto: _____

Este producto está garantizado por un año a partir de la fecha de entrega, contra cualquier defecto en su funcionamiento, así como en materiales y mano de obra empleados para su fabricación. Nuestra garantía incluye la reparación o reposición del producto y/o componentes sin cargo alguno para el cliente, incluyendo mano de obra, así como los gastos de transportación razonablemente erogados derivados del cumplimiento de este certificado.

Para hacer efectiva esta garantía deberá presentar su herramienta y esta póliza sellada por el establecimiento comercial donde se adquirió el producto, de no contar con ésta, bastará la factura de compra.

Excepciones

Esta garantía no será válida en los siguientes casos:

- Cuando el producto se hubiese utilizado en condiciones distintas a las normales;

- Cuando el producto no hubiese sido operado de acuerdo con el instructivo de uso que se acompaña;
- Cuando el producto hubiese sido alterado o reparado por personas distintas a las enlistadas al final de este certificado.

Anexo encontrará una relación de sucursales de servicio de fábrica, centros de servicio autorizados y franquiciados en la República Mexicana, donde podrá hacer efectiva su garantía y adquirir partes, refacciones y accesorios originales.

Registro en línea

Gracias por su compra. Registre su producto ahora para:

- **SERVICIO EN GARANTÍA:** Si completa esta tarjeta, podrá obtener un servicio en garantía más eficiente, en caso de que exista un problema con su producto.
- **CONFIRMACIÓN DE PROPIEDAD:** En caso de una pérdida que cubra el seguro, como un incendio, una inundación o un robo, el registro de propiedad servirá como comprobante de compra.
- **PARA SU SEGURIDAD:** Si registra el producto, podremos comunicarnos con usted en el caso improbable que se deba enviar una notificación de seguridad conforme a la Federal Consumer Safety Act (Ley Federal de Seguridad de Productos para el Consumidor).

Registro en línea en www.dewalt.com/register.

Garantía limitada por tres años

DeWALT reparará, sin cargo, cualquier falla que surja de defectos en el material o la fabricación del producto, por hasta tres años a contar de la fecha de compra. Esta garantía no cubre fallas de las piezas causadas por su desgaste normal o abuso a la herramienta. Para mayores detalles sobre la cobertura de la garantía e información acerca de reparaciones realizadas bajo garantía, visítenos en www.dewalt.com o diríjase al centro de servicio más cercano. Esta garantía no aplica a accesorios o a daños causados por reparaciones realizadas o intentadas por terceros. **ESTA GARANTÍA LIMITADA SE OTORGA EN VEZ DE TODAS LAS DEMÁS, INCLUIDA LA GARANTÍA IMPLÍCITA DE COMERCIABILIDAD Y APTITUD PARA UN FIN PARTICULAR, Y EXCLUYE TODOS LOS DAÑOS INCIDENTALES O CONSECUENTES.** Algunos estados no permiten limitaciones sobre la duración de una garantía implícita, o la exclusión o limitación de daños incidentales o consecuentes, así que estas limitaciones pueden no aplicarse a usted. Esta garantía le otorga derechos legales específicos, además de los cuales usted puede tener otros derechos dependiendo del estado o la provincia en que se encuentre.

Además de la garantía, las herramientas DeWALT están cubiertas por:

1 AÑO DE SERVICIO GRATUITO

DeWALT mantendrá la herramienta y reemplazará las piezas gastadas por su uso normal, sin cobro, en cualquier momento durante un año a contar de la fecha de compra.

2 AÑOS DE SERVICIO GRATUITO PARA UNIDADES DE ALIMENTACIÓN DEWALT

DC9096, DCB120, DCB122, DCB124, DCB127, DCB201, DCB203BT, DCB207, DCB240, DCB361

3 AÑOS DE SERVICIO GRATUITO PARA UNIDADES DE ALIMENTACIÓN DEWALT

DCB200, DCB203, DCB204, DCB204BT, DCB205, DCB205BT, DCB206, DCB230, DCB606, DCB609, DCB612

NOTA: La garantía del producto quedará nula si la unidad de batería ha sido alterada de cualquier manera. DeWALT no es responsable de ninguna lesión causada por alteraciones y podría iniciar un procedimiento judicial por fraude de garantía hasta el máximo grado permisible por la ley.

GARANTÍA DE REEMBOLSO DE SU DINERO POR 90 DÍAS

Si no está completamente satisfecho con el desempeño de su máquina herramienta, láser o clavadora DeWALT, cualquiera sea el motivo, podrá devolverlo hasta 90 días de la fecha de compra con su recibo y obtener el reembolso completo de su dinero – sin necesidad de responder a ninguna pregunta.

AMÉRICA LATINA: Esta garantía no se aplica a los productos que se venden en América Latina. Para los productos que se venden en América Latina, debe consultar la información de la garantía específica del país que viene en el empaque, llamar a la compañía local o visitar el sitio Web a fin de obtener esa información.

REEMPLAZO GRATUITO DE LAS ETIQUETAS DE

ADVERTENCIAS: Si sus etiquetas de advertencia se vuelven ilegibles o faltan, llame al 1-800-433-9258 (1-800-4-DeWALT) para que se le reemplacen gratuitamente.

ESPECIFICACIONES

DCG418 60 V Máx* 9 000 rpm

Solamente para propósito de México:

Importado por: DeWALT Industrial Tool Co. S.A. de C.V.

Avenida Antonio Dovalí Jaime, # 70 Torre B Piso 9

Colonia La Fe, Santa Fé

Código Postal : 01210

Delegación Alvaro Obregón

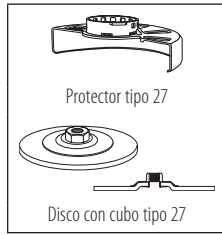
México D.F.

Tel. (52) 555-326-7100

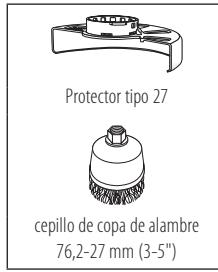
R.F.C.: BDE810626-1W7

TABLA DE ACCESORIOS

Discos de esmerilado de 115 mm (4,5") y 150 mm (6")



Discos de alambre



Discos de lijado de aletas de 115 mm (4,5") y 150 mm (6")



Discos de lijado



Discos de corte de 115 mm (4,5") y 150 mm (6")



! Los protectores tipo 1/41 están diseñados para usarse con discos de corte tipo 1/41 y discos tipo 27 marcados solamente para cortar. Esmerilar con discos que no sean del tipo 27 y del tipo 29 requiere distintos protectores de accesorios. Utilice siempre el protector apropiado más pequeño posible que no esté en contacto con el accesorio.

***NOTA: Un protector tipo 1/41 puede obtenerse por un costo adicional en su proveedor local o centro de servicio autorizado.



60V Max* Li-Ion	Battery Packs Blocs-piles Baterías	DCB606, DCB609, DCB612
	Chargers Chargeurs Cargadores	DCB103, DCB104, DCB107, DCB112, DCB113, DCB115, DCB118, DCB132, DCB1106

* Maximum initial battery voltage (measured without a workload) is 12, 20, 60 or 120 volts. Nominal voltage is 10,8, 18, 54 or 108. (120V Max* is based on using 2 DeWALT 60V Max* lithium-ion batteries combined.)

* La tension initiale maximum du bloc-piles (mesurée à vide) est de 12, 20, 60 ou 120 volts. La tension nominale est de 10,8, 18, 54 ou 108. (120 V max* se base sur l'utilisation combinée de 2 blocs-piles au lithium ion DeWALT de 60 V max*).

* El máximo voltaje inicial de la batería (medido sin carga de trabajo) es 12, 20 o 60 voltios. El voltaje nominal es de 10,8, 18, 54 o 108 V. (120 V Máx* se basan en el uso de 2 baterías de iones de litio DeWALT de 60 V Máx* combinadas.)

**BT - Bluetooth®

NOTE: The Bluetooth® word mark and logos are registered trademarks owned by the Bluetooth®, SIG, Inc. and any use of such marks by DeWALT is under license. Other trademarks and trade names are those of their respective owners.

REMARQUE : le mot servant de marque et les logos Bluetooth® sont des marques déposées appartenant à Bluetooth SIG, Inc. et toute utilisation de ces marques par DeWALT est sous licence. Les autres marques de commerce et noms commerciaux sont ceux de leurs détenteurs respectifs.

NOTA: La palabra y los logotipos de Bluetooth® son marcas registradas propiedad de Bluetooth®, SIG, Inc. y DeWALT utiliza dichas marcas bajo licencia. Otras marcas comerciales y nombres comerciales pertenecen a sus respectivos propietarios.



WARNING: Use of any other battery packs may create a risk of injury and fire.



AVERTISSEMENT : utiliser d'autres blocs-piles peut créer un risque de blessure ou d'incendie.



ADVERTENCIA: El uso de cualquier otro paquete de batería puede crear un riesgo de lesiones e incendio.

DeWALT Industrial Tool Co., 701 East Joppa Road, Towson, MD 21286
(OCT19) Part No. N770107 DCG418 Copyright © 2019 DeWALT

The following are trademarks for one or more DeWALT power tools: the yellow and black color scheme, the "D" shaped air intake grill, the array of pyramids on the handgrip, the kit box configuration, and the array of lozenge-shaped humps on the surface of the tool.