

### DCCS1100

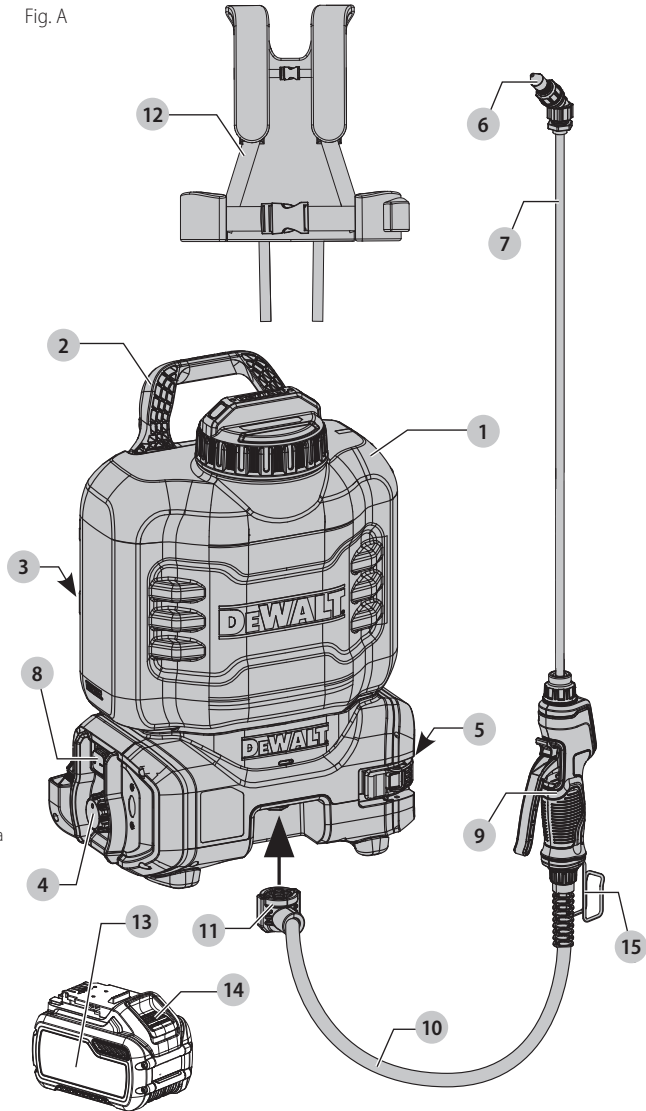
#### 20V Max\* Concrete Chemical Sprayer

#### Pulvérisateur de produits chimiques pour le béton 20V max\*

#### Pulverizador químico de concreto 20V Max\*

- 1 Tank
- 2 Carry handle
- 3 Vertical wand storage clip
- 4 Variable flow control
- 5 Battery compartment
- 6 Nozzle accessory (other nozzles also included)
- 7 Wand
- 8 ON/OFF power switch
- 9 Wand handle/Shut-off assembly
- 10 Hose
- 11 Swivel-hose connector
- 12 Harness
- 13 Battery pack (Sold Separately)
- 14 Battery pack release button
- 15 Belt hook

Fig. A

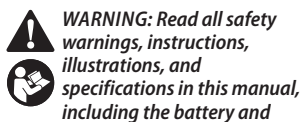


- 1 Réservoir
- 2 Poignée de transport
- 3 Attache verticale d'entreposage de la lance
- 4 Contrôle du débit variable
- 5 Compartiment du bloc-piles
- 6 Accessoire buse (d'autres buses sont également incluses)
- 7 Lance
- 8 Interrupteur MARCHÉ/ARRÊT
- 9 Ensemble poignée/arrêt de la lance
- 10 Tuyau
- 11 Raccord pivotant du tuyau
- 12 Harnais
- 13 Bloc-piles (vendu séparément)
- 14 Bouton de libération du bloc-piles
- 15 Crochet de ceinture

- 1 Tanque
- 2 Manija de transporte
- 3 Sujetador de almacenamiento vertical para varilla
- 4 Control de flujo variable
- 5 Compartimiento de batería
- 6 Accesorio de boquilla (también se incluyen otras boquillas)
- 7 Varilla
- 8 Interruptor de encendido/apagado
- 9 Manija de varilla/Ensamble de apagado
- 10 Manguera
- 11 Conector de manguera giratoria
- 12 Arnés
- 13 Paquete de batería (Se vende por separado)
- 14 Botón de liberación de paquete de batería
- 15 Gancho de cinturón

If you have questions or comments, contact us.  
Pour toute question ou tout commentaire, nous contacter.  
Si tiene dudas o comentarios, contáctenos.

www.DEWALT.com  
1-800-4-DEWALT



Manuals can be obtained by contacting Customer Service. Failure to follow the warnings and instructions may result in electric shock, fire and/or serious injury.

## Definitions: Safety Alert Symbols and Words

This instruction manual uses the following safety alert symbols and words to alert you to hazardous situations and your risk of personal injury or property damage.

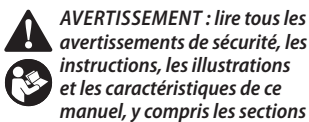
**▲ DANGER:** Indicates an imminently hazardous situation which, if not avoided, **will result in death or serious injury.**

**▲ WARNING:** Indicates a potentially hazardous situation which, if not avoided, **could result in death or serious injury.**

**▲ CAUTION:** Indicates a potentially hazardous situation which, if not avoided, **may result in minor or moderate injury.**

**▲** (Used without word) Indicates a safety related message.

**NOTICE:** Indicates a practice not related to personal injury which, if not avoided, **may result in property damage.**



**Définitions : symboles et termes d'alarmes sécurité**

Ces guides d'utilisation utilisent les symboles et termes d'alarmes sécurité suivants pour vous prévenir de situations dangereuses et de risques de dommages corporels ou matériels.

## Définitions : symboles et termes d'alarmes sécurité

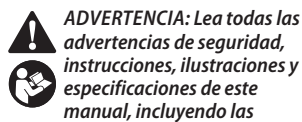
**▲ DANGER :** indique une situation dangereuse imminente qui, si elle n'est pas évitée, **entraînera la mort ou des blessures graves.**

**▲ AVERTISSEMENT :** indique une situation potentiellement dangereuse qui, si elle n'est pas évitée, **pourrait entraîner la mort ou des blessures graves.**

**▲ ATTENTION :** indique une situation potentiellement dangereuse qui, si elle n'est pas évitée, **pourrait entraîner des blessures légères ou modérées.**

**▲** (Si utilisé sans aucun terme) Indique un message propre à la sécurité.

**AVIS :** indique une pratique ne posant **aucun risque de dommages corporels** mais qui par contre, si rien n'est fait pour l'éviter, **pourrait poser des risques de dommages matériels.**



**Definiciones: Símbolos y Palabras de Alerta de Seguridad**

Este manual de instrucciones utiliza los siguientes símbolos y palabras de alerta de seguridad para alertarle de situaciones peligrosas y del riesgo de lesiones corporales o daños materiales.

## Definiciones: Símbolos y Palabras de Alerta de Seguridad

**▲ PELIGRO:** Indica una situación de peligro inminente que, si no se evita, **provocará la muerte o lesiones graves.**

**▲ ADVERTENCIA:** Indica una situación de peligro potencial que, si no se evita, **podría provocar la muerte o lesiones graves.**

**▲ ATENCIÓN:** Indica una situación de peligro potencial que, si no se evita, **posiblemente provocaría lesiones leves o moderadas.**

**▲** (Utilizado sin palabras) Indica un mensaje de seguridad relacionado.

**AVISO:** Se refiere a una práctica **no relacionada a lesiones corporales** que de no evitarse **puede resultar en daños a la propiedad.**

English (*original instructions*)

5

Français (*traduction de la notice d'instructions originale*)

15

Español (*traducido de las instrucciones originales*)

26

Fig. B

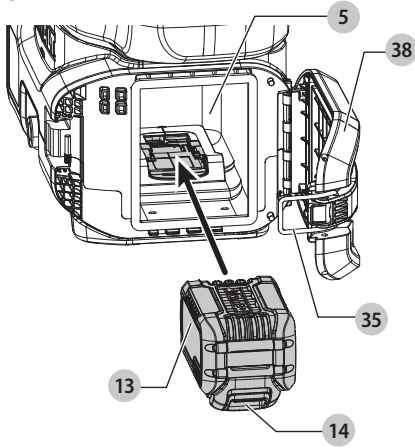


Fig. C

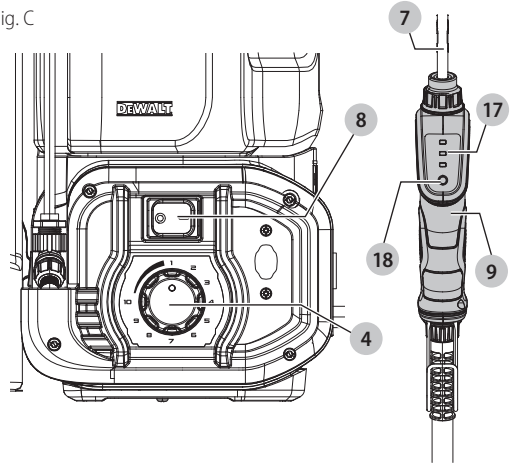


Fig. D

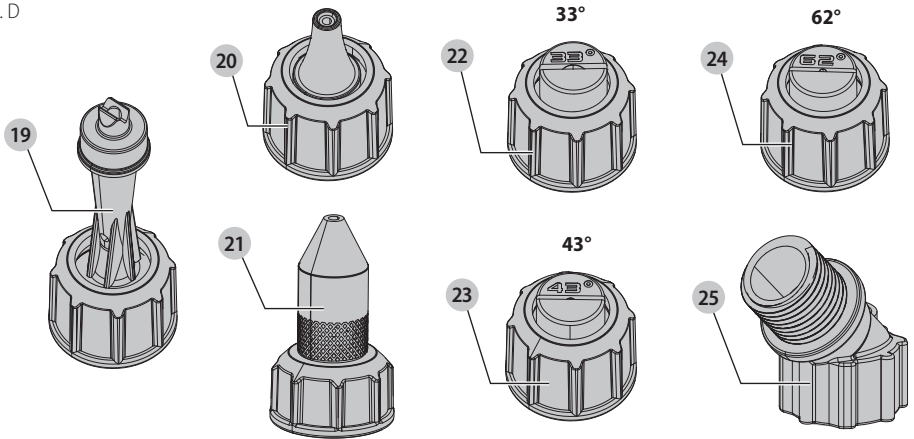


Fig. E

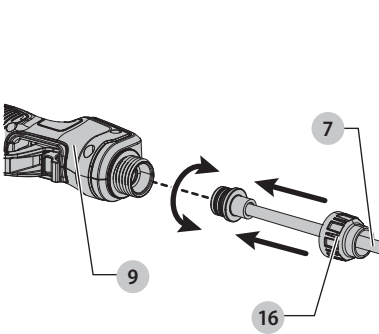


Fig. F

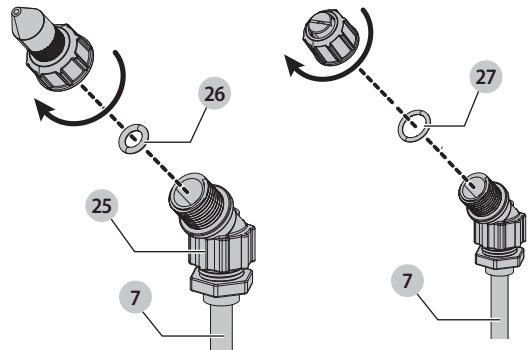


Fig. G1

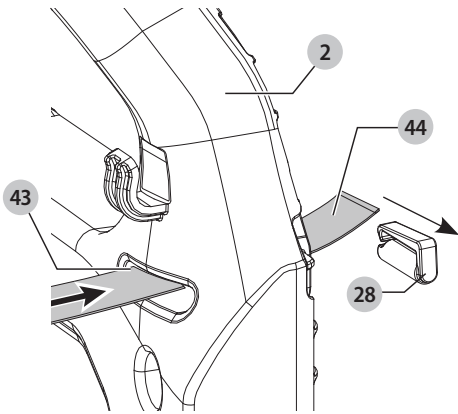


Fig. G2

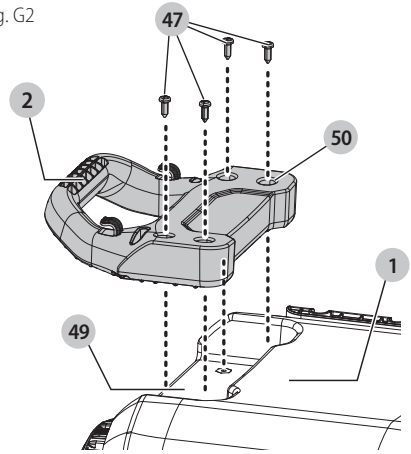


Fig. G3

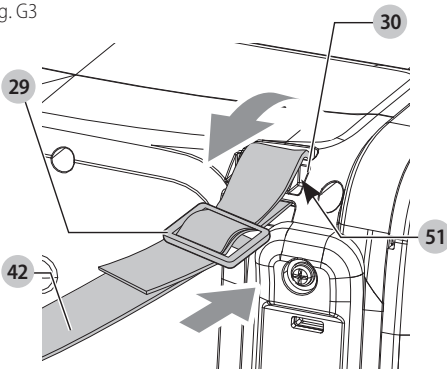


Fig. G4

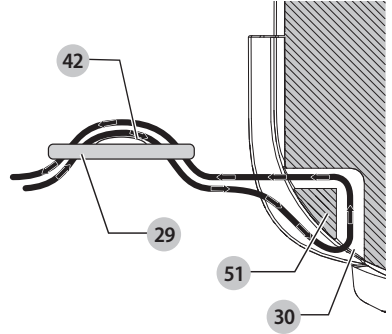


Fig. H1

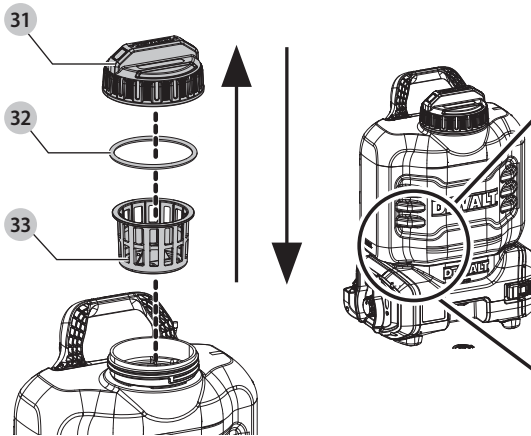


Fig. H2

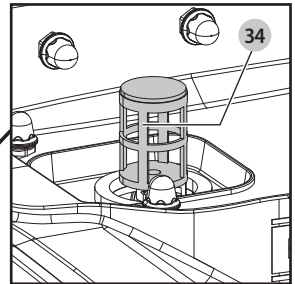


Fig. H3

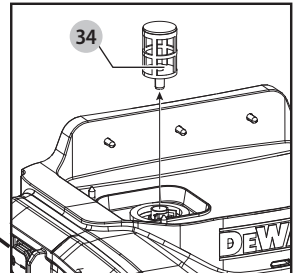


Fig. I1

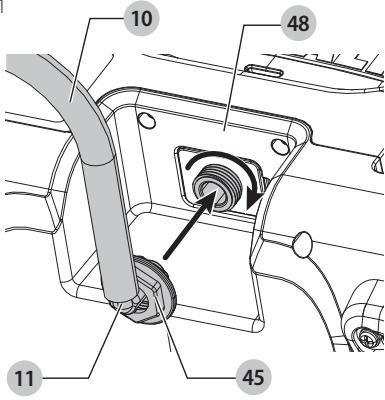


Fig. I2

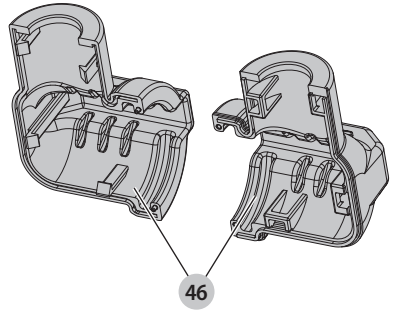


Fig. I3

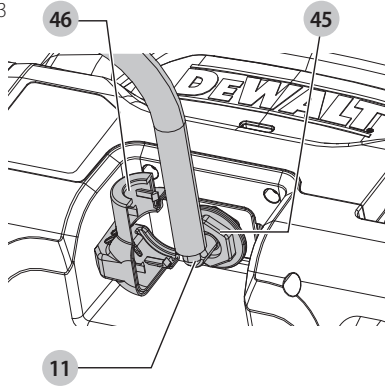


Fig. I4

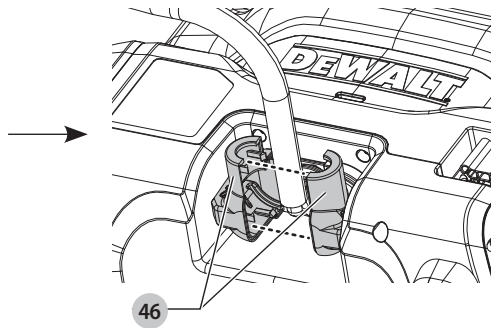


Fig. I5

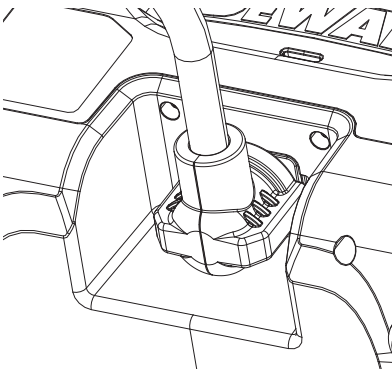


Fig. J

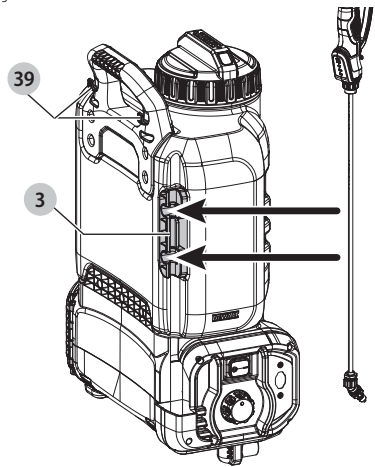


Fig. K

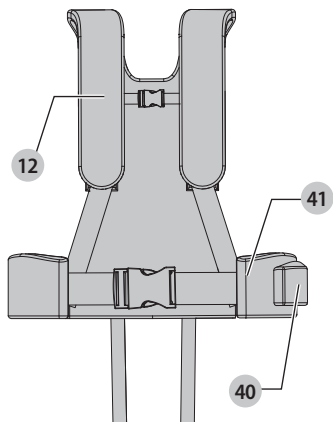


Fig. L

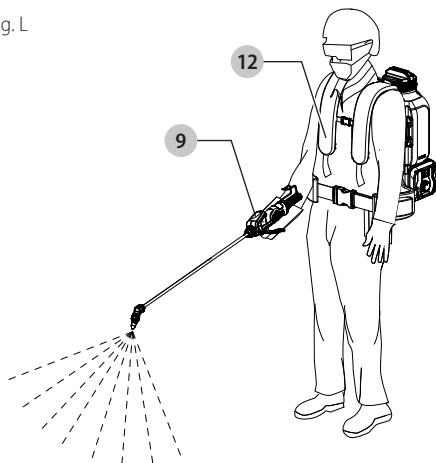
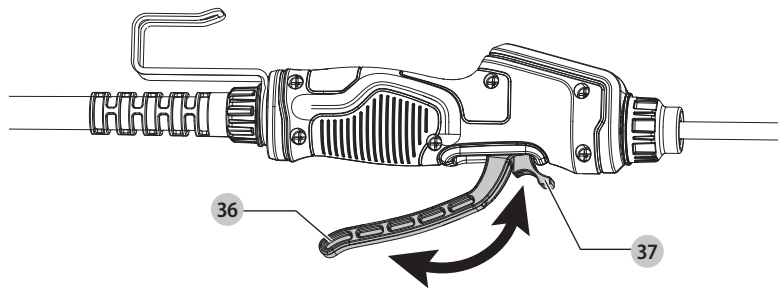


Fig. M



## Intended Use

This concrete sprayer is designed for professional chemical spraying at various work sites (i.e., construction sites).

**▲ DANGER:** Explosion hazard. Use only form release curing compound fluid having a flash point higher than 140 °F (60 °C). See container label or the fluid's Material Safety Data Sheet (MSDS). **DO NOT** use under wet conditions or in presence of flammable liquids or gases.

This heavy-duty concrete sprayer is a professional power tool.

**DO NOT** let children come into contact with the tool. Supervision is required when inexperienced operators use this tool.

## GENERAL POWER TOOL SAFETY WARNINGS

**▲ WARNING:** Read all safety warnings, instructions, illustrations and specifications provided with this power tool. Failure to follow all instructions listed below may result in electric shock, fire and/or serious injury.

### SAVE ALL WARNINGS AND INSTRUCTIONS FOR FUTURE REFERENCE.

The term "power tool" in the warnings refers to your mains-operated (corded) power tool or battery-operated (cordless) power tool.

#### 1) Work Area Safety

- a) **Keep work area clean and well lit.** Cluttered or dark areas invite accidents.
- b) **Do not operate power tools in explosive atmospheres, such as in the presence of flammable liquids, gases or dust.** Power tools create sparks which may ignite the dust or fumes.
- c) **Keep children and bystanders away while operating a power tool.** Distractions can cause you to lose control.

#### 2) Electrical Safety

- a) **Power tool plugs must match the outlet. Never modify the plug in any way. Do not use any adapter plugs with earthed (grounded) power tools.** Unmodified plugs and matching outlets will reduce risk of electric shock.
- b) **Avoid body contact with earthed or grounded surfaces, such as pipes, radiators, ranges and refrigerators.** There is an increased risk of electric shock if your body is earthed or grounded.
- c) **Do not expose power tools to rain or wet conditions.** Water entering a power tool will increase the risk of electric shock.
- d) **Do not abuse the cord. Never use the cord for carrying, pulling or unplugging the power tool. Keep cord away from heat, oil, sharp edges or moving parts.** Damaged or entangled cords increase the risk of electric shock.
- e) **When operating a power tool outdoors, use an extension cord suitable for outdoor use.** Use of a cord suitable for outdoor use reduces the risk of electric shock.
- f) **If operating a power tool in a damp location is unavoidable, use a ground fault circuit interrupter (GFCI) protected supply.** Use of a GFCI reduces the risk of electric shock.

#### 3) Personal Safety

- a) **Stay alert, watch what you are doing and use common sense when operating a power tool. Do not use a power tool while you are tired or under the influence of drugs, alcohol or medication.** A moment of inattention while operating power tools may result in serious personal injury.

- b) **Use personal protective equipment. Always wear eye protection.** Protective equipment such as a dust mask, non-skid safety shoes, hard hat, or hearing protection used for appropriate conditions will reduce personal injuries.
- c) **Prevent unintentional starting. Ensure the switch is in the off-position before connecting to power source and/or battery pack, picking up or carrying the tool.** Carrying power tools with your finger on the switch or energizing power tools that have the switch on invites accidents.
- d) **Remove any adjusting key or wrench before turning the power tool on.** A wrench or a key left attached to a rotating part of the power tool may result in personal injury.
- e) **Do not overreach. Keep proper footing and balance at all times.** This enables better control of the power tool in unexpected situations.
- f) **Dress properly. Do not wear loose clothing or jewelry. Keep your hair and clothing away from moving parts.** Loose clothes, jewelry or long hair can be caught in moving parts.
- g) **If devices are provided for the connection of dust extraction and collection facilities, ensure these are connected and properly used.** Use of dust collection can reduce dust-related hazards.
- h) **Do not let familiarity gained from frequent use of tools allow you to become complacent and ignore tool safety principles.** A careless action can cause severe injury within a fraction of a second.

#### 4) Power Tool Use and Care

- a) **Do not force the power tool. Use the correct power tool for your application.** The correct power tool will do the job better and safer at the rate for which it was designed.
- b) **Do not use the power tool if the switch does not turn it on and off.** Any power tool that cannot be controlled with the switch is dangerous and must be repaired.
- c) **Disconnect the plug from the power source and/or remove the battery pack, if detachable, from the power tool before making any adjustments, changing accessories, or storing power tools.** Such preventive safety measures reduce the risk of starting the power tool accidentally.
- d) **Store idle power tools out of the reach of children and do not allow persons unfamiliar with the power tool or these instructions to operate the power tool.** Power tools are dangerous in the hands of untrained users.
- e) **Maintain power tools and accessories. Check for misalignment or binding of moving parts, breakage of parts and any other condition that may affect the power tool's operation. If damaged, have the power tool repaired before use.** Many accidents are caused by poorly maintained power tools.
- f) **Keep cutting tools sharp and clean.** Properly maintained cutting tools with sharp cutting edges are less likely to bind and are easier to control.
- g) **Use the power tool, accessories and tool bits, etc. in accordance with these instructions, taking into account the working conditions and the work to be performed.** Use of the power tool for operations different from those intended could result in a hazardous situation.
- h) **Keep handles and grasping surfaces dry, clean and free from oil and grease.** Slippery handles and grasping

surfaces do not allow for safe handling and control of the tool in unexpected situations.

### 5) Battery Tool Use and Care

- a) **Recharge only with the charger specified by the manufacturer.** A charger that is suitable for one type of battery pack may create a risk of fire when used with another battery pack.
- b) **Use power tools only with specifically designated battery packs.** Use of any other battery packs may create a risk of injury and fire.
- c) **When battery pack is not in use, keep it away from other metal objects, like paper clips, coins, keys, nails, screws or other small metal objects, that can make a connection from one terminal to another.** Shorting the battery terminals together may cause burns or a fire.
- d) **Under abusive conditions, liquid may be ejected from the battery; avoid contact. If contact accidentally occurs, flush with water. If liquid contacts eyes, additionally seek medical help.** Liquid ejected from the battery may cause irritation or burns.
- e) **Do not use a battery pack or tool that is damaged or modified.** Damaged or modified batteries may exhibit unpredictable behavior resulting in fire, explosion or risk of injury.
- f) **Do not expose a battery pack or tool to fire or excessive temperature.** Exposure to fire or temperature above 265 °F (130 °C) may cause explosion.
- g) **Follow all charging instructions and do not charge the battery pack or tool outside the temperature range specified in the instructions.** Charging improperly or at temperatures outside the specified range may damage the battery and increase the risk of fire.

### 6) Service

- a) **Have your power tool serviced by a qualified repair person using only identical replacement parts.** This will ensure that the safety of the power tool is maintained.
- b) **Never service damaged battery packs.** Service of battery packs should only be performed by the manufacturer or authorized service providers.

### Safety Rules for Concrete Chemical Sprayers

**▲ WARNING:** Use only for spraying approved chemicals listed. See **COMPATIBLE CHEMICALS** table at the back of the section.

**▲ WARNING:** When using an electric sprayer, basic safety precautions should always be followed to reduce risk of fire, electric shock, and personal injury, including the following:

- **Do not leave the sprayer when connected to power source.** Remove the battery pack when not in use and before servicing.
- **Do not allow sprayer to be used as a toy.** Close attention is necessary when used by or near children.
- **Use this sprayer ONLY as described in the manual.** Use only recommended attachments.
- **Do not use this sprayer if it is showing signs of malfunction in any way.** If the sprayer is not working correctly, has been dropped, damaged, or dropped into water, return it to a service center.
- Keep hair, loose clothing, fingers, and all body parts away from the openings and moving parts.
- Turn off all controls before disconnecting from power source.
- Use extra care when being used on stairs.

### Additional Safety Instructions

**▲ WARNING:** Read all safety warnings and all instructions. Failure to follow the warnings and instructions may result in electric shock, fire, and/or serious injury.

#### To Reduce Risk of Injury:

- **Avoid dangerous environmental conditions** – Do not use electric sprayer in damp or wet locations. Don't use the sprayer in the rain.
- **Use the right sprayer** – Do not use this sprayer for any application except that for which it is intended.
- **Keep children, bystanders and animals away from the work area when operating the sprayer.**
- **Maintain sprayer with care.** Keep sprayer clean for best and safest performance. Follow instructions for proper maintenance.
- **Stay alert** – Watch what you are doing. Use common sense. Do not operate sprayer when you are tired.
- **DO NOT** point sprayer stream at anyone, including yourself.
- **▲ DANGER:** Risk of fluid injection and laceration. When using the high-pressure setting, **DO NOT** allow the high-pressure spray to come in contact with unprotected skin, eyes, or with any pets or animals. Serious injury will occur.
- **DO NOT** attempt to clear clogs from sprayer without first removing the battery.
- **DO NOT** immerse any part of the sprayer in liquid.
- **DO NOT** use sprayer if switch does not turn it on or off. A sprayer that cannot be controlled with the switch is dangerous and must be repaired.
- **DO NOT** overreach. Keep proper footing and balance at all times.
- **Never leave sprayer running unattended.** Turn power off.
- **Store idle sprayer.** When not in use, the sprayer should be stored in a dry, high or locked-up place - out of reach of children.
- **Instructions for compatible batteries and chargers are included for reference in this manual.** Read all instruction manuals included with your battery pack or charger. Read all cautionary markings on the charger and battery pack.
- **Disconnect the battery pack from the sprayer before making any adjustments, changing accessories, servicing, moving or storing the sprayer.** Such preventative safety measures reduce the risk of accidental spraying.
- **DO NOT** charge when the battery pack is below 40 °F (4.5 °C) or above 104 °F (40 °C). Do not store or use the tool and battery pack in locations where the temperature may reach or exceed 40 °C.

### IMPORTANT SAFETY INSTRUCTIONS

**▲ DANGER:** RISK OF DEATH, SEVERE PERSONAL INJURY AND/OR PROPERTY DAMAGE FROM IMPROPER CHEMICAL USE OR MIXTURE.

**▲ DANGER:** Explosion hazard. Use only a fluid having a flash point higher than 140 °F (60 °C). See container label or the fluid's Safety Data Sheet (SDS).

- Spraying flammable or combustible chemicals can create combustible fumes that could be ignited, causing an explosion.
- **▲ WARNING:** Do not mix different chemicals.
- Never use sealant.
- Use only chemicals indicated for spraying applications. Some chemicals may create a toxic or other hazardous atmosphere when sprayed.
- Always refer to chemical manufacturer's instructions and/or the chemical Safety Data Sheet (SDS) for proper mixture and safe application.

**▲ WARNING: RISK OF PERSONAL INJURY AND/OR PROPERTY DAMAGE DUE TO CHEMICAL EXPOSURE.**

- Read and understand the entire instruction manual before using this sprayer.
- Follow all instructions and precautions in the instruction manual when using this sprayer.
- Read and follow all instructions and precautions on chemical manufacturer's label of chemicals used in this sprayer.
- Use the appropriate Personal Protective Equipment (PPE) as recommended by the chemical manufacturer and/or refer to the chemical Safety Data Sheet (SDS) of the chemical being used. This includes at least goggles, gloves, proper respiratory protection, and protective clothing. Failure to use appropriate PPE could result in chemical exposure through skin contact, eye contact, inhalation, or other means.
- After initial assembly, extended storage, or any possibly damaging event, such as a fall, always inspect the sprayer for damage, and test it with plain water to check for proper function. Ensure all connections are secure and leak free, and the hose is free from damage, prior to using the sprayer with chemical.
- Always inspect the hose and all connections before each use. A damaged hose or loose connections could result in an uncontrolled high pressure discharge of chemical.
- Do not spray near open flame, hot surfaces, or anything that could vaporize the spray. Doing so could create a dangerous chemical atmosphere.
- Never use caustics, bleach, acids, hot water, or pressure producing chemicals in this sprayer.
- Keep the sprayer and all chemicals out of the reach of children and pets.
- Only spray when the air is calm (no wind or air movement) to prevent chemical spray from drifting onto non-targeted surfaces and avoid drift taking into account using different parameters such as nozzles, pressure, boom height, wind speed, etc..
- Always release pressure when sprayer is not in use and before performing maintenance. Fluid with high pressure retained in hose may cause injury when sprayed by accident.
- Never store chemicals in the sprayer.
- Store or dispose of any unused chemicals as instructed by the chemical manufacturer due to the potential for environmental damage from a spill or leak, and/or refer to the disposal criteria referenced in the Safety Data Sheet (SDS).
- Clean and rinse the sprayer after each use to avoid unintended chemical exposure and prevent contamination of subsequent applications.
- Store the sprayer in a warm, dry, dust-free location out of direct sunlight.

**▲ WARNING: RISK OF PERSONAL INJURY AND/OR PROPERTY DAMAGE DUE TO RUPTURE AND/OR UNCONTROLLED HIGH PRESSURE DISCHARGE OF LIQUID CHEMICAL.**

- Never modify or alter the sprayer from original condition. Never heat or alter the hose, hose nut, or barb. Doing so could weaken the components and/or connections.
- Use only replacement parts from original manufacturer. Other replacement parts are not compatible with this sprayer.
- Never pressurize the sprayer with any device other than the pump supplied by the original manufacturer. Use of an air compressor or other non-standard device to pressurize the tank could exceed the safe working pressure of the sprayer.
- Do not lift, carry, or pull the sprayer by the hose, shut-off valve, or wand extension. Doing so could weaken the components and/or connections. Carry by the handle or harness only, making sure the connections are properly secured before lifting.

- To reduce the risk of electrical shock, do not put the sprayer in water or other liquid. Do not place or store the sprayer where it can fall or be pulled into a tub or sink.

### Additional Safety Information

**▲ WARNING:** Never modify the power tool or any part of it. Damage or personal injury could result.

**▲ WARNING:** ALWAYS use safety glasses. Everyday eyeglasses are NOT safety glasses. Also use face or dust mask if cutting operation is dusty. ALWAYS WEAR CERTIFIED SAFETY EQUIPMENT:

- ANSI Z87.1 eye protection (CAN/CSA Z94.3),
- NIOSH/OSHA/MSHA respiratory protection.

### CALIFORNIA PROPOSITION 65

**▲ WARNING:** This product or its power cord contains lead, a chemical known to the State of California to cause cancer and birth defects or other reproductive harm. Wash hands after handling.

**▲ WARNING:** Some dust created by power sanding, sawing, grinding, drilling, and other construction activities contains chemicals known to the State of California to cause cancer, birth defects or other reproductive harm. Some examples of these chemicals are:

- lead from lead-based paints,
- crystalline silica from bricks and cement and other masonry products, and
- arsenic and chromium from chemically-treated lumber.

Your risk from these exposures varies, depending on how often you do this type of work. To reduce your exposure to these chemicals: work in a well ventilated area, and work with approved safety equipment, such as those dust masks that are specially designed to filter out microscopic particles.







### PROTECTION AGAINST LIGHT SPLASHES AND LIGHT SPRAYS OF LIQUID CHEMICALS.

• **The chemical being sprayed, should reference the level of Personal Protective Clothing required.** Review chemical instructions.

• **Wear protective clothing and wash exposed areas with soap and water.** Allowing chemicals to get into your mouth, eyes, or lay on the skin may promote absorption of harmful chemicals. Direct particles away from face and body.

**▲ CAUTION:** When not in use, place sprayer on a stable surface where it will not cause a tripping or falling hazard. Some tools with large battery packs will stand upright on the battery pack but may be easily knocked over.

The label on your tool may include the following symbols. The symbols and their definitions are as follows:

V.....volts		.....wear respiratory protection
Gal.....gallon		.....wear eye protection
GPM.....gallons per minute		.....wear protective clothing
Ft.....feet		.....read all documentation
Sq.Yd.....square yard		.....do not expose to rain
PSI.....pounds per square inch		.....keep bystanders away
▲.....safety alert symbol		

### ASSEMBLY AND ADJUSTMENTS

**▲ WARNING:** To reduce the risk of serious personal injury, turn unit off and remove the battery pack before making any adjustments or removing/installing attachments or accessories. An accidental start-up can cause injury.

**▲ WARNING: RISK OF PERSONAL INJURY AND/OR PROPERTY DAMAGE DUE TO CHEMICAL EXPOSURE.** After initial assembly, always inspect the sprayer for damage, and test it with plain water to check for proper function. Ensure all connections are secure and leak free, and the hose is free from damage, prior to using the sprayer with chemicals.

**▲ WARNING:** Only use attachments recommended or sold by the manufacturer.

### Variable Flow Control (Fig. C)

Flow can be controlled by turning the variable flow control knob **4**. There are ten different pressure and flow selections. Turning knob clockwise will increase pressure and flow. Turning knob counterclockwise will decrease pressure and flow.

See **Nozzle Flow Rate Chart** near the back of the section.

### Assembling the Wand (Fig. E)

1. Install the wand **7** onto the wand handle/shut-off assembly **9** and tighten the wand nut **16** clockwise on the wand to secure together.

### Attaching a Nozzle (Fig. D, F)

1. Attach the nozzle adapter **25** (Fig. F) onto the end of the wand **7**, then select the desired nozzle accessory (Fig. D).

2. Check if the O-ring **26** or flat seal **27** is in the nozzle accessory, then assemble to the nozzle adaptor and tighten securely (Fig. F).

#### NOZZLE FUNCTIONALITY AND USES

Foaming Nozzle <b>19</b>	• Creates a stream of foam when spraying a liquid that foams easily.
--------------------------	--

Jet Stream Nozzle <b>20</b>	• Pinpoint stream for targeted applications from a distance.
-----------------------------	--

Adjustable Brass Cone Nozzle <b>21</b>	• Produces a cone-shaped spray pattern, where the liquid emerges in a circular or oval pattern.
--	---

Small Flow Brass Fan Nozzle <b>24</b>	• Flat spray for small coverage and precision spraying in confined areas.
---------------------------------------	---

Medium Flow Fan Nozzle <b>23</b>	• Flat spray for medium coverage.
----------------------------------	-----------------------------------

Large Flow Fan Nozzle <b>22</b>	• Flat spray for very broad coverage and higher viscosity liquids.
---------------------------------	--

See **Nozzle Flow Rate Chart** near the back of the section.

### Harness Installation (Fig. A, G1–G4)

1. For each side of the harness **12**, remove the small plastic clips **28** from the two shoulder strap loops **44** and thread each loop through the handle slots **43** near the top of the carry handle **2** (Fig. G1).

2. Replace the plastic clips through the two shoulder strap loops and pull on the harness/shoulder straps securing the two harness straps in place.

3. After harness has been attached to the top of the carry handle **2**, attach the carry handle to the top of the tank **1** by holding the carry handle in place against the tank recess area **49** while inserting the four provided screws **47** into the screw hole openings **50** (Fig. G2). Tighten all four screws.

4. Insert the lower harness strap **42** into the “back” cutout **30** of the lower base below the fixed block **51** (Fig. G3, G4). Pull excess length through to allow for step 5.

5. Loop excess strap below and back through the “bottom” cutout. Be sure that the strap loops around below the fixed block.

6. As the lower harness strap is pushed, it will follow the curved surface of the plastic lower base, and come back outward from the “back” cutout.

7. Pull excess material through to loop back through first section of buckle **29** (Fig. G3).

**NOTE:** If the strap comes right out of the lower base when pulling through the buckle (or prior), this shows that the strap was not properly looped around the fixed block, and steps 4-7 will need to be repeated.

8. Loop through second portion of buckle above lower strap section, and adjust accordingly.

9. Harness in assembled position as shown in Fig. G4.

10. Loop the strap through the first section of the buckle. Then loop the strap through the other section of the buckle to tighten. Adjust the shoulder pads and strap lengths for a comfortable fit.

### Connecting Hose to Tank (Fig. A, I1–I5)

1. Connect the hose **10** to the base of the tank **48** by securing the hex nut **45**/swivel-hose connector **11** clockwise to the base of the tank (Fig. A, I1).

2. Place both pieces of the connector cover **46** around the hex nut and swivel-hose connector (Fig. I2–I4).

**NOTE:** The connector cover has a groove on the edge that matches and fits around the hex nut.

3. Align the four latches of the connector cover pieces and snap the two connector cover pieces together (Fig. I4) to finalize the water supply connection as shown in Fig. I5.

### OPERATION

**▲ WARNING: To reduce the risk of serious personal injury, turn unit off and remove the battery pack before making any adjustments or removing/installing attachments or accessories.** An accidental start-up can cause injury.

**▲ WARNING: RISK OF PERSONAL INJURY DUE TO CHEMICAL EXPOSURE.** Use the appropriate Personal Protective Equipment (PPE) as recommended by the chemical manufacturer and/or refer to the chemical Safety Data Sheet (SDS) of the chemical being used. This includes at least goggles, gloves, proper respiratory protection, and protective clothing.

**▲ WARNING:** To reduce the risk of serious personal injury, turn sprayer OFF and remove the battery pack before making any adjustments or removing / installing attachments or accessories. An accidental start-up can cause injury.

**▲ NOTICE:** The battery pack is not fully charged out of the carton. Before using the battery pack and charger, read the safety instructions below and then follow the charging procedures outlined.

### Proper Hand Position (Fig. A, L)

**▲ WARNING:** To reduce the risk of serious personal injury, ALWAYS use proper hand position as shown.

**▲ WARNING:** To reduce the risk of serious personal injury, ALWAYS hold securely in anticipation of a sudden reaction. Proper hand position requires one hand on the wand handle/shut-off assembly **9**.

**NOTE:** Always wear the harness **12** and have the harness buckled up as shown (Fig. A, L).

## Filling the Sprayer (Fig. A, H1, H2, M)

**▲ WARNING:** *Inspect the sprayer, hose, shut-off, wand, and all connections for damage before each use. A damaged or loose hose connection can result in unintended exposure to the pressurized chemicals, resulting in serious injury or property damage.*

**▲ WARNING:** *When filled, the sprayer will be heavy, take care when putting on the backpack to avoid strain.*

### Before you Begin

Test the sprayer with plain water before use with chemicals, prior to initial use, and after prolonged storage.

1. Place the sprayer on a stable surface and ensure it is OFF
2. Remove the battery pack **13** from the battery compartment. See **Removing the Battery Pack**.
3. Squeeze the shut-off lever **36** to release any pressure in the hose.
4. Unscrew the cap **31** and remove the filter basket gasket **32** from the cap. Place the filter basket gasket and cap on a clean surface where it will not collect dirt, dust, or other debris.
5. Remove the filter basket **33**, and remove any debris. Place the filter basket on a clean surface where it will not collect dirt, dust, or other debris.
6. Inspect the tank **1** interior for debris, and clean as needed.
7. Check to make sure the in-tank filter **34** is in place, the mesh is intact, and it is not clogged with debris (Fig. H2). See **Cap / Filter Basket / In-Tank Filter Maintenance** section.
8. Ensure the wand handle/shut-off assembly **9** is connected to the tank. Otherwise, liquid will pour out of the open connection. See **Connecting Hose to Tank** section.
9. Re-Insert the filter basket after finishing checks.
10. Follow the chemical manufacturer's instructions for preparing the chemical. Fill the sprayer by pouring liquid into the top opening and through the filter basket, to the desired volume, according to the volume graduation markings on the side of the tank.
11. Re-Insert the filter basket gasket to the cap, then screw them tightly to the mouth of tank
12. Clean up any spilled, splashed, or overflowed liquid on the sprayer. Avoid contact with skin.
13. Insert the battery. See **Installing the Battery Pack** section.

## Installing the Battery Pack (Fig. B)

**▲ WARNING: RISK OF FIRE, BURNS, OR ELECTRICAL SHOCK.** *To reduce risk of battery fire or bursts, use only batteries that are in good condition. Do not use batteries that are wet or have been damaged.*

**▲ WARNING:** *Prevent unintentional spraying. Ensure the switch is in the OFF position before connecting the battery pack, picking up, or carrying the sprayer. Carrying the sprayer with your finger on the switch or energizing the sprayer which has the switch on invites accidents.*

**▲ CAUTION: RISK OF UNINTENDED SPRAYING.** *Ensure the sprayer is OFF and that the shut-off lever is released before inserting the battery. The sprayer will spray when the battery is inserted if the sprayer is ON and the shut-off lever depressed.*

1. Ensure the sprayer is on a stable surface and turned OFF.
2. Open the battery compartment **5** by releasing the metallic door latch **35** attached to the side door **38**, and swing the side door open sideways.
3. Align the battery pack **13** with the rails inside the battery compartment and slide it into the compartment until the battery pack is firmly seated. Ensure it does not disengage.
4. Close the side door and ensure that the metallic door latch is engaged.

## Removing the Battery Pack (Fig. B)

1. Ensure the sprayer is on a stable surface and turned OFF.
2. Open the battery compartment by releasing the metallic door latch **35** attached to the side door **38**, and swing the side door open sideways.
3. Press the battery pack release button **14** and remove the battery from the compartment.
4. Close the side door and ensure that the metallic door latch is engaged.

## Battery State of Charge Indicator (Fig. A–C)

When the battery pack **13** is installed, you can check the battery state of charge using the State of Charge (SOC) feature located on the wand handle/shut-off assembly **9**. This feature is active whether the power switch **8** is turned ON or OFF. The power interface of the wand handle/shut-off assembly has a battery indicator push button **18**, and indicator lights **17** as shown in Fig. C.

1. Press the battery indicator button **18** to illuminate indicator lights **17**.

### BATTERY INDICATOR LIGHTS:

LIGHTS	Flow
Three green lights	100%–75%
Two green lights indicate	74%–51%
One green light indicate	<50%

**NOTE:** The LED on the battery may still show a remaining charge even though the sprayer does not operate.

## Spraying (Fig. A, C, M)

**▲ WARNING: RISK OF PERSONAL INJURY AND/OR PROPERTY DAMAGE DUE TO UNINTENDED SPRAYING OF CHEMICALS.**

*Ensure the shut-off lever is released before powering ON the sprayer. Once powered ON, the pump will pressurize the system and spray if shutoff lever is depressed.*

**▲ NOTICE: RISK OF PROPERTY DAMAGE.** *Only spray when the air is calm (no wind or air movement) to prevent chemical spray from drifting onto nontargeted surfaces.*

1. Flip the ON/OFF power switch **8** to the ON position to turn the sprayer ON. If the sprayer has not been used recently, you may hear a low, audible sound. This indicates the pump has turned on and is building pressure in the system.

**NOTE:** If the sprayer was used recently, and still has pressure in the system, the pump may not turn on until the shut-off lever **36** is squeezed.

2. Aim the wand **7** in the desired direction of spraying and squeeze the shut-off lever **36**.
3. For continuous spraying, squeeze the shut-off lever and rotate the lock **37** clockwise to hold the shut-off lever in the depressed position.
4. Unlock by rotating the lock counterclockwise, if needed, and release the shut-off lever to stop spraying.
5. To turn off the sprayer, switch the power button to the OFF position.
6. Always remove any chemicals, and clean the sprayer when finished. See the **Cleaning** and **Storage** sections of this manual.

## Vertical Wand Storage Clip (Fig. J)

There is a vertical wand storage clip **3** attached to the side of the tank which the wand can be secured with. The vertical wand storage clip helps with storage as it reduces the space needed around the sprayer. The horizontal storage wand clip **39** located below the backpack handle is still available for use.

## Nozzle Storage Bag (Fig. K)

There is a nozzle storage bag **40** that is located on the waist belt **41** of the harness **12**.

## Storage

1. Flush water through the pump, hose, wand handle/shut-off assembly, and nozzle for at least 30 seconds to rinse them out. See **Cleaning** section.
2. Once sprayer is fully rinsed and cleaned of all chemical residue, store the sprayer and battery indoors in a warm, dry location out of direct sunlight and away from any sources of moisture or intense heat. Do not store the sprayer where freezing temperatures (below 32 °F / 0 °C) will occur. Allowing water to freeze inside the sprayer may cause damage to the pump, seals, shut-off, or other components, and void the sprayer warranty.

## Transportation

**▲ WARNING: FIRE HAZARD.** Do not store, carry, or transport the battery pack so that metal objects can contact exposed battery terminals. For example, do not place the battery pack in aprons, pockets, tool boxes, product kit boxes, drawers, etc., with loose nails, screws, keys, coins, hand tools, etc. When transporting individual battery packs, make sure that the battery terminals are protected and well insulated from materials that could contact them and cause a short circuit. Secure the sprayer during transport to prevent damage or injury.

**NOTE:** Li-ion battery packs should not be put in checked baggage on airplanes and must be properly protected from short circuits if they are in carry-on baggage.

## Belt Hook (Fig. A)

**▲ WARNING: To reduce the risk of serious personal injury, ONLY use the tool's belt hook to hang the tool from a work belt. DO NOT use the belt hook for tethering or securing the tool to a person or object during use. DO NOT suspend tool overhead or suspend objects from the belt hook.** The wand handle/shut-off assembly **9** comes supplied with a pre-installed belt hook **15**. This belt hook is assembled onto the wand handle/shut off assembly at the factory and cannot be removed.

## MAINTENANCE

**▲ WARNING: To reduce the risk of serious personal injury, turn unit off and remove the battery pack before making any adjustments or removing/installing attachments or accessories.** An accidental start-up can cause injury.

**▲ WARNING: RISK OF PERSONAL INJURY AND/OR PROPERTY DAMAGE DUE TO CHEMICAL EXPOSURE.** Always ensure that all chemicals have been removed from the sprayer and the sprayer has been cleaned prior to performing any maintenance.

**▲ WARNING: RISK OF PERSONAL INJURY.** Always release pressure from the sprayer prior to performing any maintenance. Disassembly of a sprayer that is still pressurized may result in the high-speed ejection of components. Ensure the sprayer is OFF and squeeze the shut-off lever until all pressure is released.

Your DEWALT power tool has been designed to operate over a long period of time with minimum maintenance. Continuous satisfactory operation depends upon proper tool care and regular cleaning.

## Nozzle Maintenance

**▲ WARNING: Prior to performing maintenance, always depressurize sprayer by ensuring the sprayer is OFF and then squeezing the shut-off lever to spray until liquid flow stops.**

- If a nozzle clogs, remove and disassemble the nozzle assembly.
- Clean the openings of any obstructions or residue.
- Do not use sharp tools that could scratch or damage the nozzles as spray pattern could be affected.
- Do not hit nozzle against surfaces to unclog.

## Cap / Filter Basket / In-Tank Filter Maintenance (Fig. B, H1, H3, M)

**▲ CAUTION: RISK OF DAMAGE TO INTERNAL COMPONENTS.** Do not operate the sprayer without the in-tank filter properly installed. Doing so could allow debris to enter the pump and cause clogging or damage to the pump.

1. Ensure the sprayer is OFF and remove the battery pack **13**. See **Removing the Battery Pack** section.
  2. Squeeze the shut-off lever **36** to release any remaining pressure in the hose.
  3. Remove the cap **31**, and filter basket **33**. Separate the gasket **32** from the cap. Rinse with clean water to remove any debris.
- NOTE:** Check the cap, gasket, and filter basket to ensure they do not show signs of wear and are operating properly. Replace them as required.
4. Place the cap, gasket, and filter basket on a clean surface where they will not collect dirt, dust, or other debris.
  5. Pour any liquid from the tank into an appropriate container for later use or proper disposal according to chemical manufacturer's instructions.
  6. Rinse and empty the tank to remove any dirt, debris, or residue.
  7. Reach into the tank and carefully grasp the in-tank filter **34** located at the bottom of the tank (Fig. H3).
  8. Turn the in-tank filter clockwise and pull up to remove it from the tank.
  9. Clean the in-tank filter carefully rinsing from the inside to the outside. Be sure not to tear or damage the mesh. Any damage to the mesh may allow debris to enter the pump and cause clogging or damage to the pump.

**NOTE:** If the in-tank filter is damaged or too dirty to permit cleaning, replace with a new in-tank filter.

10. To re-install the in-tank filter, align the end of filter with the bottom installation hole of water tank, push down the filter until it stops.

## Cleaning (A–C, H1, J, M)

**▲ WARNING: Blow dirt and dust out of all air vents with clean, dry air at least once a week. To minimize the risk of eye injury, always wear ANSI Z87.1 approved eye protection when performing this procedure.**

**▲ WARNING: Use a cloth dampened only with water and mild soap. Never let any liquid get inside the tool; never immerse any part of the tool into a liquid.**

**▲ WARNING:** Always release pressure from the sprayer prior to cleaning. Disassembly of a sprayer that is still pressurized may result in the high-speed ejection of the remaining liquid in the hose.

**▲ WARNING: RISK OF PERSONAL INJURY DUE TO CHEMICAL EXPOSURE.** Use the appropriate Personal Protective Equipment (PPE) as recommended by the chemical manufacturer and/or refer to the chemical Safety Data Sheet (SDS) of the chemical being used. This includes at least goggles, gloves, proper respiratory protection, and protective clothing.

**▲ WARNING: RISK OF DAMAGE TO INTERNAL COMPONENTS.** Failure to properly rinse out the sprayer may allow chemical residue build-up that can clog or damage the filters, pump, shut-off, wand, and nozzle. Chemical residue build-up can also contaminate subsequent applications. Leaving chemical liquids in the sprayer when not in use can lead to premature sprayer wear. Never store the sprayer with chemicals in any part of the sprayer.

1. Ensure the sprayer is OFF and remove the battery pack **13**. See **Removing the Battery Pack** section.

2. Remove the cap **31** and empty any extra chemical from the tank into a suitable container for later use or dispose according to the chemical manufacturer's instructions.

3. Use clean water to thoroughly rinse and empty the tank until all chemicals and residues are removed.

4. Add approximately 1 quart (1 liter) of clean water to the tank.

5. Insert the battery pack. See **Installing the Battery Pack** section.

6. Flip the ON/OFF power switch **8** to the ON position to turn the sprayer ON.

7. Flush water through the pump, hose, wand handle/shut-off assembly, and nozzle for at least 30 seconds to rinse them out. Failure to rinse out these components may allow chemical residue build-up that can clog or damage the components. After heavy use, rinsing the nozzles may not be enough to remove residue. The nozzles may need to be soaked in plain water or cleaned with a small brush.

8. Empty out any remaining water from the tank then continue to spray until water no longer comes out of the nozzle. This indicates that most of the water in the system has been removed.

9. Turn the ON/OFF switch to the OFF position to turn the sprayer OFF and then remove the battery.

10. Squeeze the shut-off lever **36** to release any remaining pressure in the hose.

11. Allow the sprayer to dry. This is best done by removing the cap **31** and filter basket **33** and hanging the tank **1** upside down to let it drain.

12. Once the tank is dried, turn the tank upright and reinstall the filter basket and cap to prevent debris from entering the tank.

## Accessories

**▲ WARNING:** Since accessories, other than those offered by DEWALT, have not been tested with this product, use of such accessories with this product could be hazardous. To reduce the risk of injury, only DEWALT-recommended accessories should be used with this product.

Recommended accessories for use with your product are available at extra cost from your local dealer or authorized service center. If you need assistance in locating any accessory, please contact DEWALT. Call **1-800-4-DEWALT (1-800-433-9258)** or visit our website: [www.dewalt.com](http://www.dewalt.com).

## Repairs

The charger and batteries are not serviceable. There are no serviceable parts inside the charger or battery pack.

**▲ WARNING:** To assure product SAFETY and RELIABILITY, repairs, maintenance and adjustment (including brush inspection and replacement, when applicable) should be performed by a factory service center or an authorized service center. Always use identical replacement parts.

## Register Online

Thank you for your purchase. Register your product now for:

- **WARRANTY SERVICE:** Registering your product will help you obtain more efficient warranty service in case there is a problem with your product.
  - **CONFIRMATION OF OWNERSHIP:** In case of an insurance loss, such as fire, flood or theft, your registration of ownership will serve as your proof of purchase.
  - **FOR YOUR SAFETY:** Registering your product will allow us to contact you in the unlikely event a safety notification is required under the Federal Consumer Safety Act.
- Register online at [www.dewalt.com/account-login](http://www.dewalt.com/account-login).

## Three-Year Limited Warranty

For warranty terms, go to [www.dewalt.com/support/warranty](http://www.dewalt.com/support/warranty).

To request a written copy of the warranty terms, contact: Customer Service at DEWALT Industrial Tool Co., 701 East Joppa Road, Towson, MD 21286 or call **1-800-4-DEWALT (1-800-433-9258)**.

**LATIN AMERICA:** This warranty does not apply to products sold in Latin America. For products sold in Latin America, see country-specific warranty information contained in the packaging, call the local company or see website for warranty information.

**FREE WARNING LABEL REPLACEMENT:** If your warning labels become illegible or are missing, call **1-800-4-DEWALT (1-800-433-9258)** for a free replacement.

## NOZZLE FLOW RATE CHART

**▲ NOTICE: RISK OF DAMAGE.** Frequent use under high pressure setting may result in a damaged pump or nozzle.

### VARIABLE CONTROL DIAL SETTING - PRESSURE (1-10)

Nozzle Accessory	1		2		3		4	
NOTE: Pressure and Flow may vary ~10%	Pressure (PSI)	Flow (GPM)	Pressure (PSI)	Flow (GPM)	Pressure (PSI)	Flow (GPM)	Pressure (PSI)	Flow (GPM)
Foaming Nozzle <b>19</b>	20	0.28	28	0.33	33	0.34	40	0.42
Small Flow Fan Nozzle <b>24</b>	33	0.27	38	0.30	44	0.33	50	0.36
Medium Flow Fan Nozzle <b>23</b>	24	0.29	29	0.32	35	0.36	39	0.39
Large Flow Fan Nozzle <b>22</b>	3	0.37	5	0.43	6	0.49	7	0.55
Jet Stream Nozzle <b>20</b>	11	0.33	15	0.37	18	0.43	20	0.46
Adjustable Brass Cone Nozzle <b>21</b>	46	0.22	54	0.24	62	0.27	66	0.29

**NOTE:** All values represent spraying with water or similar viscosity liquid product. Pressure may vary ~10%. Recommend optimum working pressure to be between 9 to 131 PSI depending on configuration and preference.

5		6		7		8		9		10	
Pressure (PSI)	Flow (GPM)	Pressure (PSI)	Flow (GPM)	Pressure (PSI)	Flow (GPM)	Pressure (PSI)	Flow (GPM)	Pressure (PSI)	Flow (GPM)	Pressure (PSI)	Flow (GPM)
56	0.46	61	0.49	66	0.51	70	0.52	80	0.56	87	0.58
57	0.42	75	0.43	80	0.44	85	0.46	96	0.50	105	0.52
53	0.45	56	0.48	61	0.49	64	0.51	74	0.53	84	0.57
9	0.61	11	0.65	13	0.69	15	0.72	18	0.77	19	0.84
25	0.55	28	0.57	30	0.60	32	0.62	36	0.67	40	0.70
88	0.32	98	0.34	105	0.35	119	0.37	131	0.39	150	0.41

## TROUBLESHOOTING

**▲ WARNING: Risk of Unsafe Operation.** Before servicing sprayer, remove battery pack, discharge any remaining residual pressure, and allow the tank and hose to dry.

PROBLEM	CAUSE	CORRECTION
The sprayer does not turn ON (no audible hum of the pump).	Ensure the battery is correctly installed.	Install the battery correctly. See <b>Installing the Battery Pack</b> section.
	Ensure the battery is charged.	Charge the battery. See separate <b>Batteries and Chargers</b> manual.
	The battery may be damaged or may have overheated. Visually inspect the battery for damage.	Replace the battery if it is damaged or not working. If the battery overheated, allow the battery to cool.
The sprayer turns ON (pump head hums) but it will not spray.	The hose is pressurized. The pump turned OFF automatically.	Squeeze the shut-off lever to see if the sprayer starts and the pump turns ON.
	There is no liquid in the tank.	Add liquid to the tank. See <b>Filling the Sprayer</b> section.
	The nozzle is clogged.	Clean the nozzle. See <b>Nozzle Maintenance</b> section.
	The pump is not primed.	Allow at least 30 seconds for the pump to prime.
The sprayer turns ON but only sprays at low pressure.	The in-tank filter is clogged	Clean the in-tank filter. See <b>In-Tank Filter Maintenance</b> section. Replace the in-tank filter if necessary.
	The nozzle is clogged.	Clean the nozzle. See <b>Nozzle Maintenance</b> section.
	The pump is not primed.	Allow at least 30 seconds for the pump to prime.

PROBLEM	CAUSE	CORRECTION
The pump does not fully prime.	The liquid level in the tank is low.	Add liquid to the tank. See <b>Filling the Sprayer</b> section.
	There is chemical residue or build-up in the tank and/or pump due to improper or inadequate cleaning.	Clean the sprayer. See <b>Cleaning</b> section. If necessary, repeat with warm water and a mild detergent mixture. Allow the mixture to stay in the pump for up to 1 hour prior to rinsing. Replace the pump if necessary.
	The in-tank filter is improperly installed, missing, or damaged, allowing debris to enter the pump.	Clean the sprayer. See <b>Cleaning</b> section. If necessary, repeat with warm water and a mild detergent mixture. Allow the mixture to stay in the pump for up to 1 hour prior to rinsing. Replace the pump if necessary.
	The battery pack does not have enough power.	Charge the battery. See separate <b>Batteries and Chargers</b> manual.
The hose leaks at the tank connection.	The hose is cracked, swollen, or faulty.	Replace the shut-off assembly.
	The connection is damaged.	Replace the shut-off assembly.
The hose leaks at the shut-off assembly.	The hose is cracked, swollen, or faulty.	Replace the shut-off assembly.
	The connection is damaged.	Replace the shut-off assembly.
The nozzle drips when the shut-off lever is released.	There is dirt or debris in the shut-off lever.	Clean the shut-off assembly.
	There is a damaged O-ring or seal in the shut-off assembly.	Replace the shut-off assembly.
The nozzle tip leaks.	The flat seal is missing.	Install the flat seal behind the nozzle tip. See <b>Attaching a Nozzle</b> section.
	The flat seal is damaged.	Replace the flat seal.
The sprayer shuts off abruptly.	The battery pack has reached its maximum thermal limit.	Allow the battery pack to cool down.
	The battery is out of charge. To maximize the life of the battery, it is designed to shutoff abruptly when the charge is depleted.	Place the battery on the charger and allow it to charge.
The battery pack does not charge.	The battery pack is not inserted in the charger.	Insert the battery pack into the charger until the red (charging) light illuminates.
	The charger is not plugged in.	Plug the charger into a working outlet.
	The surrounding air temperature is too hot or too cold.	Move the battery pack to a surrounding air temperature of above 40 °F (4.5 °C) or below 104 °F (40 °C).
Battery will not charge.	No lights illuminated on charger (not plugged into outlet).	Plug charger into outlet.
	No lights illuminated on charger (plugged into outlet).	Check that outlet is functioning.
	No lights illuminated on charger (plugged into outlet, the outlet is functioning).	Replace charger.
	No lights illuminated on charger (plugged into outlet, the outlet is functioning, new/functioning battery inserted in the charger).	Replace battery.
	Red light blinking on charger, but a yellow indicator light is also illuminated (battery temperature too high for safe charging).	Allow battery to cool.

## COMPATIBLE CHEMICALS

**▲ NOTICE:** Compatible with only the most common brands of curing compounds, form releases, and concrete cleaning compounds. Refer to list of compatible chemicals. For Additional Chemical Compatibility questions please contact DeWALT Industrial Tool Co. at 1-800-4-DeWALT (1-800-433-9258).

**▲ NOTICE:** Sprayer Not Compatible with Pesticides and Herbicides

**▲ DANGER:** Explosion hazard. Use only form release curing compound fluid having a flash point higher than 140 °F (60 °C). See container label or the fluid's Material Safety Data Sheet (MSDS).

**▲ WARNING:** For any chemical used, user must read and follow MSDS sheet and follow all instructions on chemical packaging. Contact chemical manufacturer or their website for MSDS.

CHEMICAL	TYPE	MANUFACTURER
Evapre™	Evaporation Retardant	wrmeadows.com
1100	Dissipating Cure	wrmeadows.com
1150-Clear	WB Dissipating Cure	wrmeadows.com

CHEMICAL	TYPE	MANUFACTURER
1600-White	White Pigmented Cure	wrmeadows.com
Kurez Dr Vox™	Dissipating Cure	euclidchemical.com
Kurez VoX™ White Pigmented	White Pigmented Cure	euclidchemical.com
EucoBar	Evaporation Retardant	euclidchemical.com
Formula F	Surface Retardant	euclidchemical.com
AquaFilm Concentrate J74	Evaporation Retardant	daytonsuperior.com
Citrus Cleaner J-48	Citrus Cleaner	daytonsuperior.com
City White Cure J-8	White Pigmented Cure	daytonsuperior.com
Clean Strip J100 VOC	Form Release	daytonsuperior.com
FormShield Pure	Form Release	euclidchemical.com
SpecStrip VOC 100	Form Release	specchem.com
Duogard Citrus	Form Release	wrmeadows.com
L&M Debond	Form Release	laticrete.com
SureForm	Form Release	kaufmanproducts.net

EVAPRE™: EVAPRE™ is a trademark of W.R. Meadows, Inc., which has not endorsed, approved, or sponsored this product.

Kurez Dr Vox™: KUREZ DR VOX™ is a trademark of The Euclid Chemical Co., which has not endorsed, approved, or sponsored this product.

Kurez VoX™ White Pigmented: KUREZ VOX™ is a trademark of The Euclid Chemical Co., which has not endorsed, approved, or sponsored this product.

## Utilisation prévue

Ce pulvérisateur de béton est conçu pour la pulvérisation professionnelle de produits chimiques sur divers chantiers (par exemple, les chantiers de construction).

**▲ DANGER : Risque d'explosion.** Utiliser uniquement un produit de polymérisation à libération de forme dont le point d'éclair est supérieur à 140 °F (60 °C). Voir l'étiquette du récipient ou la fiche de données de sécurité (FDS) du produit. **NE PAS** utiliser en conditions mouillées ou en présence de liquides ou de gaz inflammables.

Ce pulvérisateur de béton à usage intensif est un outil électrique professionnel.

**NE PAS** laisser les enfants entrer en contact avec l'outil. Une supervision est requise lorsque des utilisateurs inexpérimentés utilisent cet outil.

## AVERTISSEMENTS GÉNÉRAUX SUR LA SÉCURITÉ DES OUTILS

**▲ AVERTISSEMENT : lisez tous les avertissements de sécurité, toutes les instructions, les illustrations et les caractéristiques fournis avec cet outil électrique.** Ne pas suivre toutes les instructions comprises aux présentes peut conduire à un choc électrique, un incendie et/ou des blessures graves.

### CONSERVER TOUS LES AVERTISSEMENTS ET TOUTES LES DIRECTIVES POUR UN USAGE ULTÉRIEUR.

Le terme « outil électrique » cité dans les avertissements se rapporte à votre outil électrique à alimentation sur secteur (avec fil) ou par piles (sans fil).

#### 1) Sécurité du lieu de travail

- Tenir l'aire de travail propre et bien éclairée.** Les lieux encombrés ou sombres sont propices aux accidents.
- Ne pas faire fonctionner d'outils électriques dans un milieu déflagrant, tel qu'en présence de liquides, de gaz ou de poussières inflammables.** Les outils électriques produisent des étincelles qui pourraient enflammer la poussière ou les vapeurs.
- Éloigner les enfants et les personnes à proximité pendant l'utilisation d'un outil électrique.** Une distraction pourrait en faire perdre la maîtrise à l'utilisateur.

#### 2) Sécurité en matière d'électricité

- Les fiches des outils électriques doivent correspondre à la prise. Ne jamais modifier la fiche d'aucune façon. Ne jamais utiliser de fiche d'adaptation avec un outil électrique mis à la terre.** Le risque de choc électrique sera réduit par l'utilisation de fiches non modifiées correspondant à la prise.
- Éviter tout contact physique avec des surfaces mises à la terre comme des tuyaux, des radiateurs, des cuisinières et des réfrigérateurs.** Le risque de choc électrique est plus élevé si votre corps est mis à la terre.
- Ne pas exposer les outils électriques à la pluie ou à l'humidité.** La pénétration de l'eau dans un outil électrique augmente le risque de choc électrique.
- Ne pas utiliser le cordon de façon abusive. Ne jamais utiliser le cordon pour transporter, tirer ou débrancher un outil électrique. Tenir le cordon éloigné de la chaleur, de l'huile, des bords tranchants et des pièces mobiles.** Les

cordons endommagés ou enchevêtrés augmentent les risques de choc électrique.

- Pour l'utilisation d'un outil électrique à l'extérieur, se servir d'une rallonge convenant à cette application.** L'utilisation d'une rallonge conçue pour l'extérieur réduira les risques de choc électrique.
- S'il est impossible d'éviter l'utilisation d'un outil électrique dans un endroit humide, brancher l'outil dans une prise ou sur un circuit d'alimentation dotés d'un disjoncteur de fuite à la terre (GFCI).** L'utilisation de ce type de disjoncteur réduit les risques de choc électrique.

#### 3) Sécurité personnelle

- Être vigilant, surveiller le travail effectué et faire preuve de jugement lorsqu'un outil électrique est utilisé. Ne pas utiliser d'outil électrique en cas de fatigue ou sous l'influence de drogues, d'alcool ou de médicaments.** Un simple moment d'inattention en utilisant un outil électrique peut entraîner des blessures corporelles graves.
  - Utiliser des équipements de protection individuelle. Toujours porter une protection oculaire.** L'utilisation d'équipements de protection comme un masque antipoussière, des chaussures antidérapantes, un casque de sécurité ou des protecteurs auditifs lorsque la situation le requiert réduira les risques de blessures corporelles.
  - Empêcher les démarrages intempestifs. S'assurer que l'interrupteur se trouve à la position d'arrêt avant de relier l'outil à une source d'alimentation et/ou d'insérer un bloc-piles, de ramasser ou de transporter l'outil.** Transporter un outil électrique alors que le doigt repose sur l'interrupteur ou brancher un outil électrique dont l'interrupteur est à la position de marche risque de provoquer un accident.
  - Retirer toute clé de réglage ou clé avant de démarrer l'outil.** Une clé ou une clé de réglage attachée à une partie pivotante de l'outil électrique peut provoquer des blessures corporelles.
  - Ne pas trop tendre les bras. Conserver son équilibre en tout temps.** Cela permet de mieux maîtriser l'outil électrique dans les situations imprévues.
  - S'habiller de manière appropriée. Ne pas porter de vêtements amples ni de bijoux. Garder les cheveux et les vêtements à l'écart des pièces mobiles.** Les vêtements amples, les bijoux ou les cheveux longs risquent de rester coincés dans les pièces mobiles.
  - Si des composants sont fournis pour le raccordement de dispositifs de dépoussiérage et de ramassage, s'assurer que ceux-ci sont bien raccordés et utilisés.** L'utilisation d'un dispositif de dépoussiérage peut réduire les dangers engendrés par les poussières.
  - Ne pas laisser votre connaissance acquise suite l'utilisation fréquente des outils vous permettre de baisser la garde et ignorer les principes de sécurité de l'outil.** Un acte irréfléchi peut causer une blessure grave en une fraction de seconde.
- #### 4) Utilisation et entretien d'un outil électrique
- Ne pas forcer un outil électrique. Utiliser l'outil électrique approprié à l'application.** L'outil électrique approprié effectuera un meilleur travail, de façon plus sûre et à la vitesse pour laquelle il a été conçu.

b) **Ne pas utiliser un outil électrique dont l'interrupteur est défectueux.** Tout outil électrique dont l'interrupteur est défectueux est dangereux et doit être réparé.

c) **Débranchez la fiche de la prise électrique et, si amovible, retirez le bloc-piles de l'outil avant d'effectuer tout ajustement, changement et entreposage de celui-ci.**

Ces mesures préventives réduisent les risques de démarrage accidentel de l'outil électrique.

d) **Ranger les outils électriques hors de la portée des enfants et ne permettre à aucune personne n'étant pas familière avec un outil électrique ou son mode d'emploi d'utiliser cet outil.** Les outils électriques deviennent dangereux entre les mains d'utilisateurs inexpérimentés.

e) **Gardez les poignées et surfaces d'emprise propres et libres de tout produit lubrifiant. Vérifier si les pièces mobiles sont mal alignées ou coincées, si des pièces sont brisées ou présentent toute autre condition susceptible de nuire au bon fonctionnement de l'outil électrique. En cas de dommage, faire réparer l'outil électrique avant toute nouvelle utilisation.** Beaucoup d'accidents sont causés par des outils électriques mal entretenus.

f) **S'assurer que les outils de coupe sont aiguisés et propres.** Les outils de coupe bien entretenus et affûtés sont moins susceptibles de se coincer et sont plus faciles à maîtriser.

g) **Utiliser l'outil électrique, les accessoires, les forets, etc. conformément aux présentes directives en tenant compte des conditions de travail et du travail à effectuer.**

L'utilisation d'un outil électrique pour toute opération autre que celle pour laquelle il a été conçu est dangereuse.

h) **Garder vos mains et les surfaces de prise sèches, propres et libres de graisse et de poussière.** Les mains et les surfaces de prise glissantes ne permettent pas la manutention et le contrôle sécuritaires de l'outil dans les situations imprévues.

## 5) Utilisation et entretien du bloc-piles

a) **Ne recharger l'outil qu'au moyen du chargeur précisé par le fabricant.** L'utilisation d'un chargeur qui convient à un type de bloc-piles risque de provoquer un incendie s'il est utilisé avec un autre type de bloc-piles.

b) **Utiliser les outils électriques uniquement avec les blocs-piles conçus à cet effet.** L'utilisation de tout autre bloc-piles risque de causer des blessures ou un incendie.

c) **Lorsque le bloc-piles n'est pas utilisé, le tenir éloigné des objets métalliques, notamment des trombones, de la monnaie, des clés, des clous, des vis ou autres petits objets métalliques qui peuvent établir une connexion entre les deux bornes.** Le court-circuit des bornes du bloc-piles risque de provoquer des brûlures ou un incendie.

d) **En cas d'utilisation abusive, le liquide peut gicler hors du bloc-piles; éviter tout contact avec ce liquide. Si un contact accidentel se produit, laver à grande eau. Si le liquide entre en contact avec les yeux, obtenir également des soins médicaux.** Le liquide qui gicle hors du bloc-piles peut provoquer des irritations ou des brûlures.

e) **Ne pas utiliser de bloc-piles ou tout qui a été endommagé ou modifié.** Les unités endommagées ou modifiées peuvent avoir une réaction imprévisible résultant en un incendie, une explosion ou un potentiel de blessure.

f) **Ne pas exposer de bloc-piles ou l'outil aux flammes ou à des températures excessives.** L'exposition aux flammes ou

à une température au-dessus de 130 °C (265 °F) pourrait causer une explosion.

g) **Suivre toutes les instructions de recharge et ne rechargez pas le bloc-piles ou l'outil à des températures hors de la plage de température indiquée dans les instructions.** Une recharge non conforme ou à une température hors des limites spécifiées peut endommager les piles et augmenter le risque d'incendie.

## 6) Réparation

a) **Faire réparer l'outil électrique par un réparateur professionnel en n'utilisant que des pièces de recharge identiques.** Cela permettra de maintenir une utilisation sécuritaire de l'outil électriques.

b) **Ne jamais réparer des blocs-piles endommagés.** La réparation de blocs-piles doit seulement être effectuée par le fabricant ou les fournisseurs de service autorisé.

## Règles de sécurité pour les pulvérisateurs de produits chimiques pour béton

▲ **AVERTISSEMENT :** utiliser uniquement pour la pulvérisation de produits chimiques approuvés figurant sur la liste. Voir le tableau des **PRODUITS CHIMIQUES COMPATIBLES** à la fin de la section.

▲ **AVERTISSEMENT :** lors de l'utilisation d'un pulvérisateur électrique, les mesures de précaution de base devraient toujours être prises pour réduire la possibilité d'incendie, de choc électrique et de blessures, en suivant les recommandations suivantes :

- **Ne pas laisser le pulvérisateur lorsqu'il est branché à une source d'alimentation.** Retirez le bloc-piles lorsque vous ne l'utilisez pas ou effectuez un entretien.
- **Ne pas laisser le pulvérisateur être utilisé comme jouet.** Une attention particulière est nécessaire lorsque l'appareil est utilisé par des enfants ou près des enfants.
- **Utilisez le pulvérisateur SEULEMENT comme décrit dans le manuel.** Utilisez seulement les fixations recommandées.
- **Ne pas utiliser ce pulvérisateur s'il présente des signes de mauvais fonctionnement de quelque façon que ce soit.** Si le pulvérisateur ne fonctionne pas bien, a été échappé, endommagé ou échappé dans l'eau, retournez-le dans un centre de services.
- Gardez vos cheveux, vos vêtements amples, vos doigts et toutes les parties du corps loin des ouvertures et des pièces en mouvement.
- Éteignez toutes les commandes avant de le débrancher de la source d'alimentation.
- Redoublez de prudence lors de l'utilisation dans les escaliers.

## Directives de sécurité supplémentaires

▲ **AVERTISSEMENT :** lisez tous les avertissements et toutes les instructions de sécurité. Le fait de ne pas suivre les avertissements et les instructions peut entraîner un choc électrique, un incendie et/ou des blessures graves.

**Afin de réduire le risque de blessure :**

- **Évitez les conditions environnementales dangereuses :** ne pas utiliser le pulvérisateur électrique dans des endroits humides ou mouillés. Ne pas utiliser le pulvérisateur sous la pluie.
- **Utilisez le bon pulvérisateur :** n'utilisez pas cet pulvérisateur pour toute application autre que celles pour lesquelles il est conçu.

• **Veillez garder les enfants, les personnes présentes et les animaux à distance de la zone de travail lorsque vous utilisez le pulvérisateur.**

• **Entretenez soigneusement le pulvérisateur.** Gardez le pulvérisateur pour la meilleure performance et la plus sécurité. Suivez les instructions pour un entretien approprié.

• **Demeurez vigilant :** regardez ce que vous faites. Faites preuve de bon sens. N'utilisez pas le pulvérisateur lorsque vous êtes fatigué.

• **NE PAS** diriger le jet du pulvérisateur vers qui que ce soit, y compris vous-même.

▲ **DANGER :** risque d'injection de liquide et de laceration. Lorsque vous utilisez le réglage à haute pression, **NE PAS** laisser la pulvérisation à haute pression entrer en contact avec la peau non protégée, les yeux ou un animal. Cela produira des blessures graves.

• **NE PAS** tenter de dégager les obstructions de le pulvérisateur sans d'abord retirer la pile.

• **NE PAS** immerger toute partie de le pulvérisateur dans un liquide.

• **NE PAS** utiliser le pulvérisateur si le bouton Marche/Arrêt ne fonctionne pas normalement. Un pulvérisateur qui ne peut être contrôlé avec le bouton Marche/Arrêt peut être dangereux et doit être réparé.

• **NE PAS** trop vous étirer. maintenez vos pieds bien daplomb sur le sol et un bon équilibre en tout temps.

• **Ne laissez jamais le pulvérisateur en marche sans surveillance.** Coupez l'alimentation.

• **Veillez ranger le pulvérisateur inutilisé.** Lorsque vous ne l'utilisez pas, le pulvérisateur doit être entreposé dans un endroit sec élevé ou verrouillé, hors de portée des enfants.

• **Les renseignements applicables pour les blocs-piles et chargeurs compatibles sont inclus au présent manuel à titre de référence.** Lisez tous les guides d'utilisation compris avec votre bloc-piles ou votre chargeur. Lisez tous les symboles d'avertissement sur le chargeur et le bloc-piles.

• **Veillez déconnecter le bloc-piles du pulvérisateur avant d'effectuer tout réglage, de changer d'accessoires, d'effectuer l'entretien, de déplacer ou de ranger le pulvérisateur.** Ces mesures de sécurité préventives réduisent le risque de pulvérisation accidentelle.

• **NE PAS** charger le bloc-piles lorsque sa température est inférieure à 4,5 °C (40 °F) ou supérieure à 40 °C (104 °F). Ne pas ranger ni utiliser l'outil et le bloc-piles dans des endroits où la température peut atteindre ou dépasser 40 °C.

## CONSIGNES IMPORTANTES DE SÉCURITÉ

▲ **DANGER :** RISQUE DE MORT, DE BLESSURES GRAVES ET/OU DE DOMMAGES MATÉRIELS EN CAS D'UTILISATION OU DE MÉLANGE INAPPROPRIÉ DE PRODUITS CHIMIQUES.

▲ **DANGER :** risque d'explosion. Veuillez utiliser uniquement un fluide dont le point d'éclair est supérieur à 140 °F (60 °C). Veuillez consulter l'étiquette du récipient ou la fiche de données de sécurité (FDS) du fluide.

• La pulvérisation de produits chimiques inflammables ou combustibles peut créer des fumées combustibles susceptibles de s'enflammer et de provoquer une explosion.

▲ **AVERTISSEMENT :** ne pas mélanger différents produits chimiques.

• Ne jamais utiliser de produit d'étanchéité.

• Utiliser uniquement les produits chimiques indiqués pour les applications de pulvérisation. Certains produits chimiques

peuvent créer une atmosphère toxique ou dangereuse lorsqu'ils sont pulvérisés.

• Toujours se référer aux instructions du fabricant du produit chimique et/ou à la fiche de données de sécurité (FDS) pour un mélange approprié et une application sûre.

▲ **AVERTISSEMENT :** RISQUE DE BLESSURES CORPORELLES ET/OU DE DOMMAGES MATÉRIELS DUS À L'EXPOSITION AUX PRODUITS CHIMIQUES.

• Lisez et comprenez l'intégralité du manuel d'instructions avant d'utiliser ce pulvérisateur.

• Respectez toutes les instructions et précautions figurant dans le manuel d'instructions lorsque vous utilisez ce pulvérisateur.

• Consultez et suivez toutes les instructions et précautions figurant sur l'étiquette du fabricant des produits chimiques utilisés dans ce pulvérisateur.

• Utilisez l'équipement de protection individuelle (EPI) recommandé par le fabricant du produit chimique et/ou reportez-vous à la fiche de données de sécurité (FDS) du produit chimique utilisé. Cet équipement comprend au moins des lunettes, des gants, une protection respiratoire appropriée et des vêtements de protection. La non-utilisation de l'EPI approprié peut entraîner une exposition aux produits chimiques par contact avec la peau, les yeux, l'inhalation et d'autres moyens.

• Après le montage initial, un entreposage prolongé ou tout événement susceptible d'endommager le pulvérisateur, tel qu'une chute, inspectez toujours le pulvérisateur pour vérifier qu'il n'est pas endommagé et testez-le avec de l'eau ordinaire pour vous assurer qu'il fonctionne correctement. Avant d'utiliser le pulvérisateur avec un produit chimique, assurez-vous que tous les raccords sont bien fixés et ne fuient pas, et que le tuyau n'est pas endommagé.

• Inspectez toujours le tuyau et tous les raccords avant chaque utilisation. Un tuyau à haute pression endommagé ou des raccords desserrés peuvent entraîner une décharge incontrôlée de produit chimique.

• Ne pas pulvériser à proximité d'une flamme nue, de surfaces chaudes ou de tout ce qui pourrait vaporiser le produit. Cela pourrait créer une atmosphère chimique dangereuse.

• Ne jamais utiliser de produits caustiques, d'eau de Javel, d'acides, d'eau chaude ou de produits chimiques produisant de la pression dans ce pulvérisateur.

• Gardez le pulvérisateur et tous les produits chimiques hors de portée des enfants et des animaux domestiques.

• Veuillez pulvériser uniquement lorsque l'air est calme (absence de vent ou de mouvement d'air) afin d'empêcher la dérive du produit chimique sur des surfaces non ciblées et d'éviter la dérive en tenant compte de différents paramètres tels que les buses, la pression, la hauteur des bras, la vitesse du vent, etc.

• Toujours relâcher la pression lorsque le pulvérisateur n'est pas utilisé et avant d'effectuer l'entretien. Le produit sous haute pression retenu dans le tuyau peut provoquer des blessures en cas de pulvérisation accidentelle.

• Ne jamais entreposer de produits chimiques dans le pulvérisateur.

• Entrezposez ou éliminez tout produit chimique non utilisé selon les consignes du fabricant en raison des risques de dommages environnementaux liés à un déversement ou à une fuite, et/ou reportez-vous aux critères d'élimination mentionnés dans la fiche de données de sécurité (FDS).

- Nettoyez et rincez le pulvérisateur après chaque utilisation afin d'éviter une exposition involontaire aux produits chimiques et de prévenir la contamination des applications suivantes.
- Rangez le pulvérisateur dans un endroit chaud, sec, exempt de poussière et à l'abri de la lumière directe du soleil.

**⚠ AVERTISSEMENT : RISQUE DE BLESSURES CORPORELLES ET/OU DE DOMMAGES MATÉRIELS EN CAS DE RUPTURE ET/OU DE DÉCHARGE INCONTRÔLÉE À HAUTE PRESSION DE PRODUITS CHIMIQUES LIQUIDES.**

- Ne modifiez jamais le pulvérisateur par rapport à son état d'origine. Ne chauffez jamais et ne modifiez jamais le tuyau, l'écrou du tuyau ou l'arceau. Cela pourrait affaiblir les composants et/ou les connexions.
- N'utilisez que des pièces de rechange provenant du fabricant d'origine. Les autres pièces de rechange ne sont pas compatibles avec ce pulvérisateur.
- Ne mettez jamais le pulvérisateur sous pression avec un dispositif autre que la pompe fournie par le fabricant d'origine. L'utilisation d'un compresseur d'air ou d'un autre dispositif non standard pour pressuriser le réservoir pourrait dépasser la pression de service sûre du pulvérisateur.
- Ne soulevez pas, ne portez pas et ne tirez pas le pulvérisateur par le tuyau, la vanne d'arrêt ou la rallonge de la lance. Cela pourrait affaiblir les composants et/ou les connexions. Transportez le pulvérisateur par la poignée ou le harnais uniquement, en vous assurant que les connexions sont correctement fixées avant de le soulever.
- Pour réduire le risque de choc électrique, ne mettez pas le pulvérisateur dans l'eau ou dans un autre liquide. Ne placez pas et ne rangez pas le pulvérisateur dans un endroit où il pourrait tomber ou être entraîné dans une cuve ou un évier.

### Renseignements de sécurité supplémentaires

**⚠ AVERTISSEMENT : ne modifiez jamais l'outil électrique ou toute pièce de celui-ci. Cela pourrait entraîner des dommages matériels ou des blessures corporelles.**

**⚠ AVERTISSEMENT : utilisez TOUJOURS des lunettes de sécurité. Les lunettes ordinaires NE SONT PAS des lunettes de sécurité. Utilisez également un masque facial ou anti-poussière si l'opération de coupe est poussiéreuse. PORTEZ TOUJOURS UN ÉQUIPEMENT DE SÉCURITÉ CERTIFIÉ :**

- protection oculaire ANSI Z87.1 (CAN/CSA Z94.3),
- protection respiratoire NIOSH/OSHA/MSHA.

### PROPOSITION 65 DE LA CALIFORNIE

**⚠ AVERTISSEMENT :** ce produit ou son cordon d'alimentation contient du plomb, un produit chimique reconnu dans l'État de la Californie pour causer le cancer et des anomalies congénitales ou autres effets nuisibles sur la reproduction. Lavez-vous les mains après maintenance.

**⚠ AVERTISSEMENT :** certaines poussières créées par le ponçage mécanique, le sciage, l'aiguillage, le perçage et autres activités de construction contiennent des produits chimiques reconnus dans l'État de la Californie pour causer le cancer et des anomalies congénitales ou autres effets nuisibles sur la reproduction. Certains exemples de ces produits chimiques sont :

- le plomb provenant des peintures à base de plomb,
- la silice cristallisée provenant des briques, du ciment et d'autres produits de la maçonnerie ainsi que
- l'arsenic et le chrome provenant du bois de construction traité chimiquement.

Votre risque à ces expositions varie selon la fréquence dont vous effectuez ce type de travail. Pour réduire votre exposition

à ces produits chimiques : travaillez dans un endroit bien aéré et avec un équipement de sécurité homologué, comme les masques antipoussière spécialement conçus pour filtrer les particules microscopiques.

### PROTECTION CONTRE LES ÉCLABOUSSURES ET LES PULVÉRISATIONS LÉGÈRES DE PRODUITS CHIMIQUES LIQUIDES.

- **Le produit chimique pulvérisé doit indiquer le niveau de vêtements de protection individuelle requis.** Consultez les instructions relatives aux produits chimiques.
- **Portez des vêtements protecteurs et lavez vos zones exposées avec du savon et de l'eau.** Permettre aux produits chimiques de pénétrer dans la bouche, les yeux ou de se déposer sur la peau peut favoriser l'absorption de produits chimiques nocifs. Dirigez les particules loin du visage et du corps.

**⚠ ATTENTION :** lorsque vous ne l'utilisez pas, placez le pulvérisateur sur une surface stable là où cela n'entraînera pas un risque de trébuchement ou de chute. Certains outils avec de gros blocs-piles se tiendront debout sur le bloc-piles, mais ils peuvent facilement être renversés.

L'étiquette sur votre outil peut comporter les symboles suivants. Les symboles et les définitions sont les suivants :

V.....volts		.....portez une protection oculaire	
Gal.....gallon			
GPM.....gallons par minute		.....portez des vêtements de protection	
Pi.....pieds			
Pi <sup>2</sup> .....pieds carrés		.....lisez toute la documentation	
PSI.....livres par pouce carré			
	.....symbole d'alertes de sécurité		.....ne pas exposer à la pluie
	.....portez une protection respiratoire		.....gardez les passants à l'écart

### ASSEMBLAGE ET RÉGLAGES

**⚠ AVERTISSEMENT :** afin de réduire le risque des blessures corporelles graves, arrêtez l'appareil et retirez le blocs-piles avant d'effectuer tout réglage ou de retirer/ installer des pièces ou des accessoires. Un démarrage accidentel peut causer des blessures.

**⚠ AVERTISSEMENT : RISQUE DE BLESSURES CORPORELLES ET/OU DE DOMMAGES MATÉRIELS DUS À L'EXPOSITION AUX PRODUITS CHIMIQUES.** Après l'assemblage initial, vérifiez toujours que le pulvérisateur n'est pas endommagé et testez-le avec de l'eau ordinaire pour vous assurer qu'il fonctionne correctement. Avant d'utiliser le pulvérisateur avec des produits chimiques, assurez-vous que tous les raccords sont bien fixés et ne fuient pas, et que le tuyau n'est pas endommagé.

**⚠ AVERTISSEMENT :** utilisez seulement les accessoires recommandés ou vendus par le fabricant.

### Contrôle du débit variable (Fig. C)

Le débit peut être contrôlé en tournant le bouton de contrôle du débit variable . Il existe dix sélections différentes de pression et de débit. Tourner le bouton dans le sens des aiguilles d'une montre augmente la pression et le débit. Tourner le bouton dans le sens inverse des aiguilles d'une montre diminue la pression et le débit.

Voir le **Tableau des débits des buses** à la fin de la section.

## Assemblage de la lance (Fig. E)

1. Installez la lance **7** sur l'ensemble poignée/arrêt de la lance **9** et serrez l'écrou de la lance **16** dans le sens des aiguilles d'une montre sur la lance pour la fixer ensemble.

## Fixation d'une buse (Fig. D, F)

1. Veuillez fixer l'adaptateur de buse **25** (Fig. F) à l'extrémité de la lance **7**, puis sélectionner l'accessoire de buse souhaité (Fig. D).

2. Vérifiez que le joint torique **26** ou le joint plat **27** se trouve bien dans l'accessoire de buse, puis assemblez-le à l'adaptateur de buse et serrez fermement (Fig. F).

### FONCTIONNALITÉ ET UTILISATION DES BUSES

1. Buse à mousse <b>19</b>	• Crée un jet de mousse lors de la diffusion d'un liquide qui mousse facilement.
2. Buse à jet continu <b>20</b>	• Diffusion en continu pour des applications ciblées à distance.
3. Buse à cône réglable en laiton <b>21</b>	• Produit un jet en forme de cône, où le liquide sort de façon circulaire ou ovale.
4. Buse à petit débit en laiton <b>24</b>	• Jet plat pour une petite couverture et une pulvérisation de précision dans les zones confinées.
5. Buse à éventail à débit moyen <b>23</b>	• Jet plat pour une couverture moyenne.
6. Buse à grand débit <b>22</b>	• Jet plat pour une couverture très large et pour les liquides à haute viscosité.

Voir le **Tableau des débits des buses** à la fin de la section.

## Installation du harnais (Fig. A, G1–G4)

- Pour chaque côté du harnais **12**, retirez les petites attaches en plastique **28** des deux boucles de la sangle d'épaule **44** et enfiler chaque boucle dans les fentes de la poignée **43** près du haut de la poignée de transport **2** (Fig. G1).
- Replacez les attaches en plastique dans les deux boucles des bretelles et tirez sur le harnais/les bretelles pour fixer les deux sangles du harnais en place.
- Une fois le harnais fixé au sommet de la poignée de transport **2**, fixez la poignée de transport au sommet du réservoir **1** en maintenant la poignée de transport en place contre la zone d'encastrement du réservoir **49** tout en insérant les quatre vis fournies **47** dans les ouvertures des trous de vis **50** (Fig. G2). Serrez les quatre vis.
- Insérez la sangle inférieure du harnais **42** dans la découpe « arrière » **30** de la base inférieure sous le bloc fixe **51** (Fig. G3, G4). Tirez sur la longueur excédentaire pour l'étape 5.
- Bouclez l'excédent de sangle en dessous et en arrière à travers la découpe « inférieure ». Veuillez à ce que la sangle s'enroule sous le bloc fixe.
- Lorsque la sangle inférieure du harnais est poussée, elle suit la surface incurvée de la base inférieure en plastique et revient vers l'extérieur à partir de la découpe « arrière ».
- Tirez sur l'excédent de matériau pour le faire passer dans la première section de la boucle **29** (Fig. G3).

**REMARQUE :** si la sangle sort de la base inférieure lorsque vous tirez sur la boucle (ou avant), cela indique que la sangle

n'a pas été correctement bouclée autour du bloc fixe, et les étapes 4 à 7 devront être répétées.

- Passez la deuxième partie de la boucle au-dessus de la section inférieure de la sangle et ajustez-la en conséquence.
- Le harnais est assemblé comme indiqué dans la Fig. G4.
- Passez la sangle dans la première partie de la boucle. Passez ensuite la sangle dans l'autre partie de la boucle pour la serrer. Réglez les sabots et la longueur des sangles pour un ajustement confortable.

## Raccordement du tuyau au réservoir (Fig. A, I1–I5)

- Raccordez le tuyau **10** à la base du réservoir **48** en fixant l'écrou hexagonal **45**/le raccord pivotant du tuyau **11** à la base du réservoir en tournant dans le sens horaire (voir Fig. A, I1).
- Placez les deux parties du couvercle du raccord **46** autour de l'écrou hexagonal et du raccord pivotant du tuyau (voir Fig. I2–I4).

**REMARQUE :** le couvercle du raccord comporte une rainure sur le bord qui se jumelle à l'écrou hexagonal et s'y ajuste.

- Alignez les quatre loquets des pièces du couvercle du raccord et enclenchez les deux pièces du couvercle du raccord ensemble (Fig. I4) pour finaliser le raccordement de l'alimentation en eau comme indiqué dans Fig. I5.

## FONCTIONNEMENT

**▲ AVERTISSEMENT :** afin de réduire le risque des blessures corporelles graves, arrêtez l'appareil et retirez le bloc-piles avant d'effectuer tout réglage ou de retirer/installer des fixations ou des accessoires.. Un démarrage accidentel peut causer des blessures.

**▲ AVERTISSEMENT :** RISQUE DE BLESSURES CORPORELLES DUES À L'EXPOSITION AUX PRODUITS CHIMIQUES. Utilisez l'équipement de protection individuelle (EPI) recommandé par le fabricant du produit chimique et/ou reportez-vous à la fiche de données de sécurité (FDS) du produit chimique utilisé. Cet équipement comprend au moins des lunettes, des gants, une protection respiratoire appropriée et des vêtements de protection.

**▲ AVERTISSEMENT :** afin de réduire le risque de blessures graves, veuillez éteindre le pulvérisateur et retirer le bloc-piles avant d'effectuer tout réglage ou de retirer/installer des accessoires ou des fixations. Un démarrage accidentel peut causer une blessure.

**▲ AVIS :** le bloc-piles n'est pas complètement chargé à sa sortie de la boîte. Avant d'utiliser le bloc-piles et le chargeur, lisez les consignes de sécurité ci-dessous, puis suivez les procédures de chargement décrites.

## Position appropriée des mains (Fig. A, L)

**▲ AVERTISSEMENT :** Afin de réduire le risque de blessure corporelle grave, utilisez **TOUJOURS** la position des mains appropriée comme illustré.

**▲ AVERTISSEMENT :** afin de réduire le risque de blessure grave, tenez **TOUJOURS** fermement l'outil en prévision d'une réaction soudaine.

La position correcte de la main exige qu'une main soit posée sur l'ensemble poignée/arrêt de la lance **9**.

**REMARQUE :** portez toujours le harnais **12** et bouclez-le comme indiqué (Fig. A, L).

## Remplissage du pulvérisateur (Fig. A, H1, H2, M)

**▲ AVERTISSEMENT :** inspectez le pulvérisateur, le tuyau, le dispositif d'arrêt, la lance et tous les raccords pour vérifier qu'ils ne sont pas endommagés avant chaque utilisation. Un raccord de tuyau endommagé ou desserré peut entraîner une exposition involontaire aux produits chimiques sous pression, ce qui peut provoquer des blessures graves ou des dommages matériels.

**▲ AVERTISSEMENT :** une fois rempli, le pulvérisateur sera lourd. Veuillez faire attention lorsque vous mettez le sac à dos afin d'éviter de vous blesser.

### Avant de commencer

Testez le pulvérisateur à l'eau claire avant de l'utiliser avec des produits chimiques, avant la première utilisation et après un entreposage prolongé.

1. Placez le pulvérisateur sur une surface stable et assurez-vous qu'il est éteint
2. Retirez le bloc-piles **13** du compartiment à piles.

Voir **Retrait du bloc-piles**.

3. Appuyez sur le levier d'arrêt **36** pour relâcher toute pression dans le tuyau.
4. Dévissez le couvercle **31** et retirez le joint du panier-filtre **32** du couvercle. Placez le joint du panier-filtre et le couvercle sur une surface propre où il n'accumulera pas de saleté, de poussière, de la poussière ou d'autres choses.
5. Retirez le panier-filtre **33** et enlevez tous les débris. Placez le panier-filtre sur une surface propre où il ne risque pas d'accumuler de la saleté, de la poussière, de la poussière ou d'autres débris.
6. Inspectez l'intérieur du réservoir **1** pour vérifier qu'il n'y a pas de débris et nettoyez-le si nécessaire.

7. Vérifiez que le filtre intégré au réservoir **34** est en place, que les mailles sont intactes et qu'il n'est pas obstrué par des débris (Fig. H2). Voir la section **Entretien du couvercle/ panier-filtre/filtre intégré au réservoir**.

8. Assurez-vous que la poignée de la lance/le dispositif d'arrêt **9** est raccordé au réservoir. Dans le cas contraire, le liquide s'écoulera par le raccord ouvert. Voir la section **Raccordement du tuyau au réservoir**.

### Raccordement du tuyau au réservoir.

9. Insérez à nouveau le panier-filtre après avoir terminé les vérifications.
10. Suivez les instructions du fabricant du produit chimique pour le préparer. Remplissez le pulvérisateur en versant le liquide dans l'ouverture supérieure et à travers le panier-filtre, jusqu'au volume souhaité, conformément aux marques de graduation du volume sur le côté du réservoir.
11. Insérez à nouveau le joint du panier-filtre dans le couvercle, puis vissez-les fermement à l'embouchure du réservoir
12. Nettoyez tout liquide déversé, éclaboussé ou débordant sur le pulvérisateur. Évitez tout contact avec la peau.
13. Insérez la pile. Voir la section **Installation du bloc-piles**.

## Installation du bloc-piles (Fig. B)

**▲ AVERTISSEMENT :** RISQUE D'INCENDIE, DE BRÛLURE OU D'ÉLECTROCUTION. Pour réduire les risques d'incendie ou d'éclatement des piles, n'utilisez que des piles en bon état. N'utilisez pas de piles mouillées ou endommagées.

**▲ AVERTISSEMENT :** évitez les pulvérisations involontaires. Assurez-vous que l'interrupteur est en position ARRÊT avant de brancher le bloc-piles, de ramasser ou de transporter le pulvérisateur. Transporter le pulvérisateur avec le doigt sur

l'interrupteur ou mettre sous tension le pulvérisateur dont l'interrupteur est en marche invite aux accidents.

**▲ ATTENTION :** RISQUE DE PULVÉRISATION INVOLONTAIRE. Assurez-vous que le pulvérisateur est éteint et que le levier d'arrêt est relâché avant d'insérer la pile. Le pulvérisateur pulvérisera lorsque la pile sera insérée si le pulvérisateur est en marche et que le levier d'arrêt est enfoncé.

1. Assurez-vous que le pulvérisateur est sur une surface stable et qu'il est éteint.
2. Ouvrez le compartiment de la pile **5** en relâchant le loquet métallique de la porte **35** fixé à la porte latérale **38**, et faites pivoter la porte latérale vers le côté.
3. Alignez le bloc-piles **13** avec les rampes à l'intérieur du compartiment des piles et faites-le glisser dans le compartiment jusqu'à ce qu'il soit bien en place. Veillez à ce qu'il ne se désengage pas.
4. Fermez la porte latérale et assurez-vous que le loquet métallique de la porte est bien enclenché.

## Retrait du bloc-piles (Fig. B)

1. Assurez-vous que le pulvérisateur est sur une surface stable et qu'il est éteint.
2. Ouvrez le compartiment des piles en relâchant le loquet métallique de la porte **35** fixé à la porte latérale **38**, et faites pivoter la porte latérale pour l'ouvrir sur le côté.
3. Appuyez sur le bouton de libération du bloc-piles **14** et retirez la pile du compartiment.
4. Fermez la porte latérale et assurez-vous que le loquet métallique de la porte est bien enclenché.

## Voyant de l'état de charge de la pile (Fig. A-C)

Lorsque le bloc-piles **13** est installé, vous pouvez vérifier l'autonomie de l'état de charge de la pile à l'aide de la fonctionnalité d'état de charge située sur la poignée de la lance/le dispositif d'arrêt **9**. Cette fonctionnalité est active, que l'interrupteur d'alimentation **8** soit en position MARCHÉ ou ARRÊT. L'interface d'alimentation de l'ensemble poignée/bouton d'arrêt comporte un bouton-poussoir d'indication de la pile **18** et des voyants lumineux **17** comme indiqué dans Fig. C.

1. Appuyez sur le bouton de l'indicateur de pile **18** pour allumer les voyants lumineux **17**.

### VOYANTS LUMINEUX DE LA PILE :

LUMIÈRES	Débit
Trois lumières vertes indiquent	100 % à 75 %
Deux lumières vertes indiquent	74 % à 51 %
Une lumière verte indique	< 50 %

**REMARQUE :** la DEL de la pile peut indiquer une charge restante même si le pulvérisateur ne fonctionne pas.

## Pulvérisation (Fig. A, C, M)

**▲ AVERTISSEMENT :** RISQUE DE BLESSURES CORPORELLES ET/OU DE DOMMAGES MATÉRIELS DUS À LA PULVÉRISATION INVOLONTAIRE DE PRODUITS CHIMIQUES. Assurez-vous que le levier d'arrêt est relâché avant de mettre le pulvérisateur en marche. Une fois sous tension, la pompe pressurise le système et pulvérise si le levier d'arrêt est enfoncé.

**▲ AVIS :** RISQUE DE DOMMAGES MATÉRIELS. Ne pulvérisez que lorsque l'air est calme (absence de vent ou de mouvement d'air) afin d'éviter que les produits chimiques pulvérisés ne dérivent sur des surfaces non ciblées.

1. Placez l'interrupteur MARCHÉ/ARRÊT **8** en position MARCHÉ pour mettre le pulvérisateur en marche. Si le pulvérisateur n'a pas été utilisé récemment, vous pouvez entendre un son faible et discret. Cela indique que la pompe s'est mise en marche et fait monter la pression dans le système.

**REMARQUE :** Si le pulvérisateur a été utilisé récemment et qu'il y a encore de la pression dans le système, il se peut que la pompe ne se mette pas en marche tant que le levier d'arrêt **36** n'est pas pressé.

- Orientez la lance **7** dans la direction de pulvérisation souhaitée et appuyez sur le levier d'arrêt **36**.
- Pour une pulvérisation continue, appuyez sur le levier d'arrêt et tournez le verrou **37** dans le sens des aiguilles d'une montre pour maintenir le levier d'arrêt en position enfoncée.
- Déverrouillez en tournant le verrou dans le sens inverse des aiguilles d'une montre, si nécessaire, et relâchez le levier d'arrêt pour arrêter la pulvérisation.
- Pour éteindre le pulvérisateur, placez le bouton d'alimentation en position ARRÊT.
- Retirez toujours les produits chimiques et nettoyez le pulvérisateur lorsque vous avez terminé. Voir les sections **Nettoyage** et **Entreposage** de ce guide.

### Attache verticale d'entreposage de la lance (Fig. J)

Une attache verticale d'entreposage de la lance **3** est fixée sur le côté du réservoir et permet de fixer la lance. L'attache verticale de rangement de la lance facilite l'entreposage en réduisant l'espace nécessaire autour du pulvérisateur. L'attache horizontale d'entreposage de la lance **39** située sous la poignée du sac à dos est toujours disponible.

### Sac d'entreposage des buses (Fig. K)

Un sac d'entreposage des buses **40** est situé sur la ceinture **41** du harnais **12**.

### Entreposage

- Rincez à l'eau la pompe, le tuyau, la poignée de la lance/le dispositif d'arrêt et la buse pendant au moins 30 secondes pour les rincer. Voir section **Nettoyage**.
- Une fois le pulvérisateur entièrement rincé et débarrassé de tout résidu chimique, rangez le pulvérisateur et la pile à l'intérieur, dans un endroit chaud et sec, à l'abri de la lumière directe du soleil et loin de toute source d'humidité ou de chaleur intense. Ne rangez pas le pulvérisateur dans un endroit où il risque de geler (en dessous de 32 °F/0 °C). Le fait de laisser l'eau geler à l'intérieur du pulvérisateur peut endommager la pompe, les joints, le dispositif d'arrêt ou d'autres composants et annuler la garantie du pulvérisateur.

### Transport

**▲ AVERTISSEMENT : DANGER D'INCENDIE.** Ne pas entreposer ou transporter le bloc-piles de manière à ce que des objets métalliques puissent entrer en contact avec les bornes des piles exposées. Par exemple, ne pas placer le bloc-piles dans des tabliers, des poches, des coffres à outils, des boîtes d'ensembles de produits, des tiroirs, etc. avec des clous, des vis, des clés, les pièces de monnaie, les outils à main, etc. Lorsque vous transportez des bloc-piles individuels, assurez-vous que leurs bornes sont protégées et bien isolées de tout matériel avec lequel elles pourraient entrer en contact et causer un court-circuit. Veuillez sécuriser le pulvérisateur pendant le transport afin d'éviter tout dommage ou blessure.

**REMARQUE :** les blocs-piles Li-ion ne doivent pas être mises dans des bagages enregistrés sur les avions et doivent être bien protégés contre les courts-circuits s'ils sont dans des bagages à main.

### Crochet de suspension (Fig. A)

**▲ AVERTISSEMENT : afin de réduire de blessure corporelle grave, utiliser SEULEMENT le crochet de ceinture de l'outil pour suspendre l'outil à partir de votre corps. NE PAS utiliser l'agrafe pour courroie pour attacher ou sécuriser l'outil à une personne ou un objet durant l'utilisation. NE PAS suspendre l'outil au plafond ou suspendre des objets à partir de l'agrafe pour courroie.**  
L'ensemble poignée/arrêt de la lance **9** est fourni avec un crochet de ceinture **15** préinstallé. Ce crochet de ceinture est monté en usine sur l'ensemble poignée/arrêt de la lance et ne peut pas être enlevé.

### ENTRETIEN

**▲ AVERTISSEMENT : afin de réduire le risque des blessures corporelles graves, arrêtez l'appareil et retirez le bloc-piles avant d'effectuer tout réglage ou de retirer/installer des pièces ou des accessoires. Un démarrage accidentel peut causer des blessures.**

**▲ AVERTISSEMENT : RISQUE DE BLESSURES CORPORELLES ET/OU DE DOMMAGES MATÉRIELS DUS À L'EXPOSITION AUX PRODUITS CHIMIQUES.** Assurez-vous toujours que tous les produits chimiques ont été retirés du pulvérisateur et que celui-ci a été nettoyé avant d'effectuer tout entretien.

**▲ AVERTISSEMENT : RISQUE DE BLESSURES CORPORELLES.** Relâchez toujours la pression du pulvérisateur avant d'effectuer tout entretien. Le démontage d'un pulvérisateur encore sous pression peut entraîner l'éjection à grande vitesse de composants. Assurez-vous que le pulvérisateur est éteint et appuyez sur le levier d'arrêt jusqu'à ce que toute la pression soit relâchée. Votre appareil DEWALT a été conçu pour fonctionner sur une longue période avec un minimum d'entretien. Un fonctionnement satisfaisant continu dépend de l'entretien approprié et d'un nettoyage régulier de l'outil.

### Entretien des buses

**▲ AVERTISSEMENT : avant d'effectuer l'entretien, il faut toujours dépressuriser le pulvérisateur en s'assurant qu'il est éteint, puis en serrant le levier d'arrêt pour pulvériser jusqu'à ce que l'écoulement du liquide s'arrête.**

- Si une buse se bouche, retirez et démontez l'ensemble de la buse.
- Nettoyez les ouvertures de toute obstruction ou de tout résidu.
- N'utilisez pas d'outils pointus susceptibles de rayer ou d'endommager les buses, car la forme du jet pourrait en être affectée.
- Ne frappez pas la buse contre des surfaces pour la déboucher.

### Entretien du couvercle/panier-filtre/filtre intégré au réservoir (Fig. B, H1, H3, M)

**▲ ATTENTION : RISQUE D'ENDOMMAGEMENT DES COMPOSANTS INTERNES.** N'utilisez pas le pulvérisateur si le filtre intégré au réservoir n'est pas correctement installé. Cela pourrait permettre à des débris de pénétrer dans la pompe et de la boucher ou de l'endommager.

- Assurez-vous que le pulvérisateur est éteint et retirez le bloc-piles **13**. Voir la section **Retrait du bloc-piles**.

- Appuyez sur le levier d'arrêt **36** pour relâcher toute pression restante dans le tuyau.
- Enlevez le couvercle **31**, et le panier-filtre **33**. Séparez le joint **32** du couvercle. Rincez à l'eau claire pour éliminer tous les débris.

**REMARQUE :** vérifiez que le couvercle, le joint et le panier-filtre ne présentent pas de signes d'usure et fonctionnent correctement. Remplacez-les si nécessaire.

- Placez le couvercle, le joint et le panier-filtre sur une surface propre où ils ne risquent pas d'accumuler de la saleté, de la poussière, de la poussière ou d'autres débris.
- Versez tout liquide contenu dans le réservoir dans un récipient approprié en vue d'une utilisation ultérieure ou d'une élimination appropriée selon les instructions du fabricant du produit chimique.
- Rincez et videz le réservoir pour éliminer toute saleté, tout débris ou tout résidu.

- Saisissez avec précaution le filtre intégré au réservoir **34** situé au fond du réservoir (Fig. H3).
- Tournez le filtre intégré au réservoir dans le sens des aiguilles d'une montre et tirez vers le haut pour le retirer du réservoir.
- Nettoyez le filtre intégré au réservoir en le rinçant soigneusement de l'intérieur vers l'extérieur. Veillez à ne pas déchirer ou endommager les mailles du filtre. Toute détérioration des mailles peut permettre à des débris de pénétrer dans la pompe et de la boucher ou de l'endommager.

**REMARQUE :** si le filtre intégré au réservoir est endommagé ou trop sale pour être nettoyé, remplacez-le par un nouveau filtre intégré au réservoir.

- Pour réinstaller le filtre intégré au réservoir, veuillez aligner l'extrémité du filtre avec le trou d'installation inférieure du réservoir d'eau, puis enfoncez le filtre jusqu'à ce qu'il s'arrête.

## Nettoyage (A-C, H1, J, M)

**▲ AVERTISSEMENT :** soufflez la saleté et la poussière de tous les événements avec de l'air sec et propre au moins une fois par semaine. Afin de minimiser le risque de blessure aux yeux, portez toujours une protection oculaire ANSI Z87.1 lorsque vous effectuez cette procédure.

**▲ AVERTISSEMENT :** utilisez un linge trempé seulement dans de l'eau et du savon doux. Ne laissez jamais un liquide pénétrer à l'intérieur de l'outil ; n'immergez jamais une partie quelconque de l'outil dans un liquide.

**▲ AVERTISSEMENT :** relâchez toujours la pression du pulvérisateur avant de le nettoyer. Le démontage d'un pulvérisateur encore sous pression peut entraîner l'éjection à grande vitesse du liquide restant dans le tuyau.

**▲ AVERTISSEMENT :** RISQUE DE BLESSURES CORPORELLES DUES À L'EXPOSITION AUX PRODUITS CHIMIQUES. Utilisez l'équipement de protection individuelle (EPI) recommandé par le fabricant du produit chimique et/ou reportez-vous à la fiche de données de sécurité (FDS) du produit chimique utilisé. Cet équipement comprend au moins des lunettes, des gants, une protection respiratoire appropriée et des vêtements de protection.

**▲ AVERTISSEMENT :** RISQUE D'ENDOMMAGEMENT DES COMPOSANTS INTERNES. Si le pulvérisateur n'est pas correctement rincé, des résidus chimiques peuvent s'accumuler et obstruer ou endommager les filtres, la pompe, le dispositif d'arrêt, la lance et la buse. L'accumulation de résidus chimiques peut également contaminer les applications suivantes. Laissez

des liquides chimiques dans le pulvérisateur lorsqu'il n'est pas utilisé pour entraîner une usure prématurée du pulvérisateur. Ne rangez jamais le pulvérisateur avec des produits chimiques dans n'importe quelle partie du pulvérisateur.

- Assurez-vous que le pulvérisateur est éteint et retirez le bloc-piles **13**. Voir la section **Retrait du bloc-piles**.
- Retirez le couvercle **31** et videz le surplus de produit chimique du réservoir dans un récipient approprié pour une utilisation ultérieure ou éliminez-le conformément aux instructions du fabricant du produit chimique.
- Utilisez de l'eau propre pour rincer et vider soigneusement le réservoir jusqu'à ce que tous les produits chimiques et les résidus soient éliminés.
- Ajoutez environ 1 litre d'eau propre dans le réservoir.
- Insérez le bloc-piles. Voir la section **Installation du bloc-piles**.
- Placez l'interrupteur MARCHE/ARRÊT **8** en position MARCHE pour mettre le pulvérisateur en marche.
- Rincez à l'eau la pompe, le tuyau, la poignée de la lance/le dispositif d'arrêt et la buse pendant au moins 30 secondes pour les rincer. Si vous ne rincez pas ces composants, vous risquez de laisser s'accumuler des résidus chimiques susceptibles de les obstruer ou de les endommager. Après une utilisation intensive, le rinçage des buses peut ne pas suffire à éliminer les résidus. Il peut être nécessaire de faire tremper les buses dans de l'eau ordinaire ou de les nettoyer à l'aide d'une petite brosse.
- Videz l'eau restante dans le réservoir puis continuez à pulvériser jusqu'à ce que de l'eau ne sorte plus de la buse. Cela indique que la majeure partie de l'eau contenue dans le système a été éliminée.
- Tournez l'interrupteur MARCHE/ARRÊT sur la position ARRÊT pour mettre le pulvérisateur hors tension, puis retirez la pile.
- Appuyez sur le levier d'arrêt **36** pour relâcher toute pression restante dans le tuyau.
- Laissez sécher le pulvérisateur. La meilleure façon de procéder consiste à retirer le couvercle **31** et le panier-filtre **33** et à suspendre le réservoir **1** à l'envers pour le laisser s'égoutter.
- Une fois le réservoir séché, retournez-le et réinstallez le panier-filtre et le couvercle pour éviter que des débris ne pénètrent dans le réservoir.

## Accessoires

**▲ AVERTISSEMENT :** les accessoires autres que DEWALT n'ayant pas été testés avec ce produit, leur utilisation avec cet outil peut s'avérer dangereuse. Pour réduire le risque de blessure, seuls les accessoires recommandés par DEWALT doivent être utilisés avec ce produit.

Les accessoires recommandés pour utilisation avec cet outil sont disponibles à un coût supplémentaire chez votre détaillant local ou dans un centre de services autorisé. Si vous avez besoin d'aide pour localiser un accessoire, contactez DEWALT. Appelez au **1-800-4-DEWALT (1-800-433-9258)** ou consultez notre site web : [www.dewalt.com](http://www.dewalt.com).

## Réparations

Le chargeur et le bloc-piles ne sont pas réparables. Le chargeur ou le bloc-piles ne comportent aucune pièce réparable.

**▲ AVERTISSEMENT :** pour assurer la SÉCURITÉ et la FIABILITÉ du produit, les réparations, l'entretien et les réglages doivent être réalisés (cela comprend l'inspection et

le remplacement du balai, le cas échéant) par un centre de réparation en usine DEWALT ou un centre de réparation agréé DEWALT. Toujours utiliser des pièces de rechange identiques.

## Enregistrez-vous en ligne

Nous vous remercions de votre achat. Enregistrez votre produit maintenant pour :

- **SERVICE DE GARANTIE** : l'enregistrement de votre produit en ligne vous aide à obtenir un service de garantie efficace au cas où vous auriez un problème avec votre produit.
  - **CONFIRMATION DE PROPRIÉTÉ** : en cas de pertes liées aux assurances telles qu'un incendie, une inondation ou un vol, votre enregistrement de propriété servira de preuve de votre achat.
  - **POUR VOTRE SÉCURITÉ** : l'enregistrement de votre produit nous permet de vous contacter dans le cas peu probable d'une notification de sécurité requise selon le Federal Consumer Safety Act.
- Inscrivez-vous en ligne sur [www.dewalt.com/account-login](http://www.dewalt.com/account-login).

## Garantie limitée de trois ans

Pour connaître les conditions de la garantie, consultez [www.dewalt.com/support/warranty](http://www.dewalt.com/support/warranty).

Pour demander une copie écrite des conditions de la garantie, contactez : service à la clientèle chez DEWALT Industrial Tool Co., 701 East Joppa Road, Towson, MD 21286 ou appelez le **1-800-4-DEWALT (1-800-433-9258)**.

**AMÉRIQUE LATINE** : la présente garantie ne s'applique pas aux produits vendus en Amérique Latine. Pour les produits vendus en Amérique Latine, consultez les renseignements sur la garantie particulière au pays comprise dans l'emballage, appelez l'entreprise locale ou consultez le site Web pour les renseignements complets à propos de la garantie.

## REMPLACEMENT GRATUIT DES ÉTIQUETTES

**D'AVERTISSEMENT** : si vos étiquettes d'avertissement deviennent illisibles ou sont manquantes, appelez le **1-800-4-DEWALT (1-800-433-9258)** pour un remplacement gratuit.

## DIAGRAMME DU DÉBIT DE LA BUSE

▲ **AVIS** : RISQUE DE DOMMAGES. Une utilisation fréquente à haute pression peut endommager la pompe ou la buse.

RÉGLAGE DU CADRAN DE COMMANDE VARIABLE – PRESSION (1-10)								
Accessoire buse	1		2		3		4	
REMARQUE : la pression et le débit peuvent varier de ~10 %	Pression (PSI)	Débit (GPM)	Pression (PSI)	Débit (GPM)	Pression (PSI)	Débit (GPM)	Pression (PSI)	Débit (GPM)
Buse à mousse <b>19</b>	20	0,28	28	0,33	33	0,34	40	0,42
Buse à faible débit <b>24</b>	33	0,27	38	0,30	44	0,33	50	0,36
Buse à éventail à débit moyen <b>23</b>	24	0,29	29	0,32	35	0,36	39	0,39
Buse à grand débit <b>22</b>	3	0,37	5	0,43	6	0,49	7	0,55
Buse à jet continu <b>20</b>	11	0,33	15	0,37	18	0,43	20	0,46
Buse à cône réglable en laiton <b>21</b>	46	0,22	54	0,24	62	0,27	66	0,29
<b>REMARQUE</b> : toutes les valeurs correspondent à une pulvérisation avec de l'eau ou un produit liquide de viscosité similaire. La pression peut varier d'environ 10 %.								
Nous recommandons une pression de service optimale comprise entre 9 et 131 PSI, en fonction de la configuration et des préférences.								

5		6		7		8		9		10	
Pression (PSI)	Débit (GPM)	Pression (PSI)	Débit (GPM)	Pression (PSI)	Débit (GPM)	Pression (PSI)	Débit (GPM)	Pression (PSI)	Débit (GPM)	Pression (PSI)	Débit (GPM)
56	0,46	61	0,49	66	0,51	70	0,52	80	0,56	87	0,58
57	0,42	75	0,43	80	0,44	85	0,46	96	0,50	105	0,52
53	0,45	56	0,48	61	0,49	64	0,51	74	0,53	84	0,57
9	0,61	11	0,65	13	0,69	15	0,72	18	0,77	19	0,84
25	0,55	28	0,57	30	0,60	32	0,62	36	0,67	40	0,70
88	0,32	98	0,34	105	0,35	119	0,37	131	0,39	150	0,41

## DÉPANNAGE

**▲ AVERTISSEMENT : risque d'utilisation non sécuritaire. Avant toute intervention sur le pulvérisateur,, retirez le bloc-piles, déchargez toute pression résiduelle et laissez sécher le réservoir et le tuyau.**

PROBLÈME	CAUSE	CORRECTION
Le pulvérisateur ne s'allume pas (pas de bourdonnement audible de la pompe).	Assurez-vous que la pile est correctement installée.	Installez la pile correctement. Voir la section <b>Installation du bloc-piles</b> .
	Assurez-vous que la pile est chargée.	Chargez la pile. Voir le guide <b>Piles et chargeurs séparé</b> .
	La pile peut être endommagée ou avoir surchauffé. Inspectez visuellement la pile pour vérifier qu'elle n'est pas endommagée.	Remplacez la pile si elle est endommagée ou ne fonctionne pas. Si la pile a surchauffé, laissez-la refroidir.
Le pulvérisateur se met en marche (la tête de la pompe ronronne) mais ne pulvérise pas.	Le tuyau est sous pression. La pompe s'est arrêtée automatiquement.	Appuyez sur le levier d'arrêt pour voir si le pulvérisateur démarre et si la pompe se met en marche.
	Il n'y a pas de liquide dans le réservoir.	Ajoutez du liquide dans le réservoir. Voir la section <b>Remplissage du pulvérisateur</b> .
	La buse est bouchée.	Nettoyez la buse. Voir la section <b>Entretien de la buse</b> .
	La pompe n'est pas amorcée.	Prévoyez au moins 30 secondes pour que la pompe se préamorce.
Le pulvérisateur s'allume mais ne pulvérise qu'à faible pression. La buse est bouchée.	Le filtre intégré au réservoir est bouché.	Nettoyez le filtre intégré au réservoir. Voir la section <b>Entretien du filtre intégré au réservoir</b> . Remplacez le filtre intégré au réservoir si nécessaire.
	La pompe n'est pas amorcée.	Prévoyez au moins 30 secondes pour que la pompe se préamorce.
La pompe n'est pas complètement amorcée.	Le niveau de liquide dans le réservoir est bas.	Ajoutez du liquide dans le réservoir. Voir la section <b>Remplissage du pulvérisateur</b> .
	Il y a des résidus chimiques ou une accumulation dans le réservoir et/ou la pompe en raison d'un ou d'un nettoyage inadéquat.	Nettoyez le pulvérisateur. Voir la section <b>Nettoyage</b> . Si nécessaire, répétez l'opération avec de l'eau chaude et un mélange de détergent doux. Laissez le mélange dans la pompe jusqu'à une heure avant de la rincer. Remplacez la pompe si nécessaire.
	Le filtre intégré au réservoir est mal installé, manquant ou endommagé, ce qui permet aux débris de pénétrer dans la pompe.	Nettoyez le pulvérisateur. Voir la section <b>Nettoyage</b> . Si nécessaire, répétez l'opération avec de l'eau chaude et un mélange de détergent doux. Laissez le mélange dans la pompe jusqu'à une heure avant de la rincer. Remplacez la pompe si nécessaire.
Le tuyau fuit au niveau du raccord du réservoir.	Le bloc-piles n'est pas assez puissant.	Chargez la pile. Voir le guide <b>Piles et chargeurs séparé</b> .
	Le tuyau est fissuré, gonflé ou défectueux.	Remplacez le dispositif d'arrêt.
Le tuyau fuit au niveau du dispositif d'arrêt.	Le raccord est endommagé.	Remplacez le dispositif d'arrêt.
	Le tuyau est fissuré, gonflé ou défectueux.	Remplacez le dispositif d'arrêt.
La buse goutte lorsque le levier d'arrêt est relâché.	Le raccord est endommagé.	Remplacez le dispositif d'arrêt.
	Des saletés ou des débris se trouvent dans le levier d'arrêt.	Nettoyez le dispositif d'arrêt.
L'embout de la buse fuit.	Le joint torique ou le joint d'étanchéité est endommagé dans le dispositif d'arrêt.	Remplacez le dispositif d'arrêt.
	Le joint plat est manquant.	Installez le joint plat derrière l'embout de la buse. Voir la section <b>Fixation d'une buse</b> .
Le pulvérisateur arrête brusquement.	Le joint plat est endommagé.	Remplacez le joint plat.
	Le bloc-piles a atteint sa limite thermique maximale.	Laissez le bloc-piles refroidir.
	La pile est déchargée. Pour optimiser la durée de service de la pile, l'outil est conçu pour s'éteindre brusquement lorsque la charge baisse.	Placez la pile sur le chargeur et laissez-la se recharger.
Le bloc-piles ne se charge pas.	Le bloc-piles n'est pas inséré dans le chargeur.	Insérez le bloc-piles dans le chargeur jusqu'à ce que le voyant rouge (charge) s'allume.
	Le chargeur n'est pas branché.	Branchez le chargeur sur une prise de courant qui fonctionne.
	La température de l'air ambiant est trop chaude ou trop froide.	Placez le bloc-piles à une température ambiante supérieure à 40 ° F (4,5 ° C) ou inférieure à 104 ° F (40 ° C).

PROBLÈME	CAUSE	CORRECTION
La pile ne se charge pas.	Aucun voyant n'est allumé sur le chargeur (non branché dans la prise).	Branchez le chargeur dans la prise.
	Aucun voyant n'est allumé sur le chargeur (branché dans la prise).	Vérifiez que la prise fonctionne.
	Aucun voyant n'est allumé sur le chargeur (branché dans la prise, la prise fonctionne).	Remplacez le chargeur.
	Aucun voyant n'est allumé sur le chargeur (branché dans une prise, la prise fonctionne, une pile neuve/fonctionnelle est insérée dans le chargeur).	Remplacez la pile.
	Voyant rouge clignotant sur le chargeur, mais un voyant jaune est également allumé (température de la pile trop élevée pour une charge sûre).	Laissez la pile refroidir.

## PRODUITS CHIMIQUES COMPATIBLES

**▲ AVIS :** compatible uniquement avec les marques les plus courantes de produits de cure, de décoffrage et de nettoyage du béton. Voir la liste des produits chimiques compatibles. Pour toute question supplémentaire sur la compatibilité des produits chimiques, veuillez contacter DeWALT Industrial Tool Co. au 1-800-4-DeWALT (1-800-433-9258).

**▲ AVIS :** le pulvérisateur n'est pas compatible avec les pesticides et les herbicides

**▲ DANGER :** risque d'explosion. Utiliser uniquement un produit de polymérisation à libération de forme dont le point d'éclair est supérieur à 140 °F (60 °C). Voir l'étiquette du récipient ou la fiche de données de sécurité (FDS) du produit.

**▲ AVERTISSEMENT :** pour tout produit chimique utilisé, l'utilisateur doit lire et respecter la fiche de données de sécurité et suivre toutes les instructions figurant sur l'emballage du produit. Adressez-vous au fabricant du produit chimique ou consultez son site Web pour obtenir la fiche de données de sécurité.

PRODUIT CHIMIQUE	TYPE	FABRICANT
Evapre™	Retardateur d'évaporation	wrmeadows.com
1100	Cure de dissipation	wrmeadows.com
1150-Clair	Cure de dissipation WB	wrmeadows.com
1600-Blanc	Cure pigmentée blanche	wrmeadows.com
Kurez Dr Vox™	Cure de dissipation	euclidchemical.com
Kurez VoX™ White Pigmented	Cure pigmentée blanche	euclidchemical.com
EucoBar	Retardateur d'évaporation	euclidchemical.com
Formula F	Retardateur de surface	euclidchemical.com
AquaFilm Concentrate J74	Retardateur d'évaporation	daytonsuperior.com
Citrus Cleaner J-48	Nettoyant aux agrumes	daytonsuperior.com
City White Cure J-8	Cure pigmentée blanche	daytonsuperior.com
Clean Strip J100 VOC	Agent de démoulage	daytonsuperior.com
FormShield Pure	Agent de démoulage	euclidchemical.com
SpecStrip VOC 100	Agent de démoulage	specchem.com
Duogard Citrus	Agent de démoulage	wrmeadows.com
L&M Debond	Agent de démoulage	laticrete.com
SureForm	Agent de démoulage	kaufmanproducts.net

EVAPRE™: EVAPRE™ est une marque de W.R. Meadows inc, qui n'a pas endossé, approuvé ou commandité ce produit.

Kurez Dr Vox™ : KUREZ DR VOX™ est une marque de The Euclid Chemical Co, qui n'a pas endossé, approuvé ou commandité ce produit.

Kurez VoX™ White Pigmented : KUREZ VOX™ est une marque de The Euclid Chemical Co, qui n'a pas endossé, approuvé ou commandité ce produit.

## Uso pretendido

Este rociador de concreto está diseñado para el rociado profesional de productos químicos en diversos lugares de trabajo (es decir, sitios de construcción).

**▲ PELIGRO:** Peligro de explosión. Utilice únicamente fluido de curado desmoldante con un punto de inflamación superior a 140 °F (60 °C). Consulte la etiqueta del contenedor o la Hoja de Datos de Seguridad del Material (MSDS) del fluido.

**NO** utilizar en condiciones de humedad o en presencia de líquidos o gases inflamables.

Este rociador de concreto de alta resistencia es una herramienta eléctrica profesional.

**NO** permita que niños estén en contacto con la herramienta. Se requiere supervisión cuando operadores sin experiencia operen esta herramienta.

## ADVERTENCIAS GENERALES DE SEGURIDAD PARA HERRAMIENTAS ELÉCTRICAS

**▲ ADVERTENCIA:** Lea todas las advertencias de seguridad, instrucciones, ilustraciones y especificaciones incluidas con esta herramienta eléctrica. La falla en seguir todas las instrucciones siguientes puede resultar en descarga eléctrica, incendio y/o lesiones serias.

### CONSERVE TODAS LAS ADVERTENCIAS E INSTRUCCIONES PARA FUTURAS CONSULTAS.

El término "herramienta eléctrica" incluido en las advertencias hace referencia a las herramientas eléctricas operadas con corriente (con cable eléctrico) o a las herramientas eléctricas operadas con baterías (inalámbricas).

#### 1) Seguridad en el Área de Trabajo

a) **Mantenga el área de trabajo limpia y bien iluminada.** Las áreas abarrotadas y oscuras propician accidentes.

b) **No opere las herramientas eléctricas en atmósferas explosivas, como ambientes donde haya polvo, gases o líquidos inflamables.** Las herramientas eléctricas originan chispas que pueden encender el polvo o los vapores.

c) **Mantenga alejados a los niños y a los espectadores de la herramienta eléctrica en funcionamiento.** Las distracciones pueden provocar la pérdida de control.

#### 2) Seguridad Eléctrica

a) **Los enchufes de la herramienta eléctrica deben adaptarse al tomacorriente. Nunca modifique el enchufe de ninguna manera. No utilice ningún enchufe adaptador con herramientas eléctricas con conexión a tierra.** Los enchufes no modificados y que se adaptan a los tomacorrientes reducirán el riesgo de descarga eléctrica.

b) **Evite el contacto corporal con superficies con descargas a tierra como, por ejemplo, tuberías, radiadores, cocinas eléctricas y refrigeradores.** Existe mayor riesgo de descarga eléctrica si su cuerpo está puesto a tierra.

c) **No exponga las herramientas eléctricas a la lluvia o a condiciones de humedad.** Si entra agua a una herramienta eléctrica, aumentará el riesgo de descarga eléctrica.

d) **No maltrate el cable. Nunca utilice el cable para transportar, tirar o desenfundar la herramienta eléctrica. Mantenga el cable alejado del calor, el aceite, los bordes filosos y las piezas móviles.** Los cables dañados o enredados aumentan el riesgo de descarga eléctrica.

e) **Al operar una herramienta eléctrica en el exterior, utilice un cable prolongador adecuado para tal uso.**

Utilice un cable adecuado para uso en exteriores a fin de reducir el riesgo de descarga eléctrica.

f) **Si el uso de una herramienta eléctrica en un lugar húmedo es imposible de evitar, utilice un suministro protegido con un interruptor de circuito por falla a tierra (GFCI).** El uso de un GFCI reduce el riesgo de descargas eléctricas.

#### 3) Seguridad Personal

a) **Permanezca alerta, controle lo que está haciendo y utilice el sentido común cuando emplee una herramienta eléctrica. No utilice una herramienta eléctrica si está cansado o bajo el efecto de drogas, alcohol o medicamentos.** Un momento de descuido mientras se opera una herramienta eléctrica puede provocar lesiones personales graves.

b) **Utilice equipos de protección personal. Siempre utilice protección para los ojos.** En las condiciones adecuadas, el uso de equipos de protección, como máscaras para polvo, calzado de seguridad antideslizante, cascos o protección auditiva, reducirá las lesiones personales.

c) **Evite el encendido por accidente. Asegúrese de que el interruptor esté en la posición de apagado antes de conectarlo a la fuente de energía o paquete de baterías, o antes de levantar o transportar la herramienta.**

Transportar herramientas eléctricas con el dedo apoyado en el interruptor o enchufar herramientas eléctricas con el interruptor en la posición de encendido puede propiciar accidentes.

d) **Retire la clavija de ajuste o la llave de tuercas antes de encender la herramienta eléctrica.** Una llave de tuercas o una clavija de ajuste que quede conectada a una pieza giratoria de la herramienta eléctrica puede provocar lesiones personales.

e) **No se estire. Conserve el equilibrio y párese adecuadamente en todo momento.** Esto permite un mejor control de la herramienta eléctrica en situaciones inesperadas.

f) **Use la vestimenta adecuada. No use ropas holgadas ni joyas. Mantenga el cabello y la ropa alejados de las piezas en movimiento.** Las ropas holgadas, las joyas o el cabello largo pueden quedar atrapados en las piezas en movimiento.

g) **Si se suministran dispositivos para la conexión de accesorios con fines de recolección y extracción de polvo, asegúrese de que estén conectados y que se utilicen correctamente.** El uso de dispositivos de recolección de polvo puede reducir los peligros relacionados con el polvo.

h) **No permita que la familiaridad obtenida a partir del uso frecuente de herramientas le permitan volverse descuidado e ignorar los principios de seguridad de la herramienta.** Una acción descuidada puede causar lesiones severas en una fracción de segundo.

#### 4) Uso y Mantenimiento de la Herramienta Eléctrica

a) **No fuerce la herramienta eléctrica. Utilice la herramienta eléctrica correcta para el trabajo que realizará.** Si se la utiliza a la velocidad para la que fue diseñada, la herramienta eléctrica correcta permite trabajar mejor y de manera más segura.

b) **No utilice la herramienta eléctrica si no puede encenderla o apagarla con el interruptor.** Toda herramienta eléctrica que no pueda ser controlada mediante el interruptor es peligrosa y debe repararse.

c) **Desconecte el enchufe de la fuente de alimentación y/o retire la batería, o paquete si es desmontable, de la herramienta eléctrica antes de realizar cualquier ajuste, cambiar accesorios o almacenar herramientas eléctricas.**

Estas medidas de seguridad preventivas reducen el riesgo de encender la herramienta eléctrica en forma accidental.

d) **Guarde la herramienta eléctrica que no esté en uso fuera del alcance de los niños y no permita que otras personas no familiarizadas con ella o con estas instrucciones operen la herramienta.** Las herramientas eléctricas son peligrosas si son operadas por usuarios no capacitados.

e) **Dé mantenimiento a las herramientas eléctricas y accesorios. Revise que no haya piezas en movimiento mal alineadas o trabadas, piezas rotas o cualquier otra situación que pueda afectar el funcionamiento de la herramienta eléctrica. Si encuentra daños, haga reparar la herramienta eléctrica antes de utilizarla.** Se producen muchos accidentes a causa de las herramientas eléctricas que carecen de un mantenimiento adecuado.

f) **Mantenga las herramientas de corte afiladas y limpias.** Las herramientas de corte con mantenimiento adecuado y con los bordes de corte afilados son menos propensas a trabarse y son más fáciles de controlar.

g) **Utilice la herramienta eléctrica, los accesorios y las brocas de la herramienta, etc. de acuerdo con estas instrucciones y teniendo en cuenta las condiciones de trabajo y el trabajo que debe realizarse.** El uso de la herramienta eléctrica para operaciones diferentes de aquéllas para las que fue diseñada podría originar una situación peligrosa.

h) **Mantenga las manijas y superficies de sujeción secas, limpias y libres de aceite y grasa.** Las manijas y superficies de sujeción resbalosas no permiten el manejo y control seguros de la herramienta en situaciones inesperadas.

## 5) Uso y Mantenimiento de la Herramienta con Baterías

a) **Recargue solamente con el cargador especificado por el fabricante.** Un cargador adecuado para un tipo de paquete de baterías puede originar riesgo de incendio si se utiliza con otro paquete de baterías.

b) **Utilice herramientas eléctricas sólo con paquetes de baterías específicamente diseñados.** El uso de cualquier otro paquete de baterías puede producir riesgo de incendio y lesiones.

c) **Cuando no utilice el paquete de baterías, manténgalo lejos de otros objetos metálicos como sujetapapeles, monedas, llaves, clavos, tornillos u otros objetos metálicos pequeños que puedan realizar una conexión desde un terminal al otro.** Los cortocircuitos en los terminales de la batería pueden provocar quemaduras o incendio.

d) **En condiciones abusivas, el líquido puede ser expulsado de la batería. Evite su contacto. Si entra en contacto accidentalmente, enjuague con agua. Si el líquido entra en contacto con los ojos, busque atención médica.** El líquido expulsado de la batería puede provocar irritación o quemaduras.

e) **No use un paquete de batería o herramienta que estén dañados o modificados.** Las baterías dañadas o modificadas pueden presentar un comportamiento impredecible que resulte en incendios, explosión o riesgo de lesiones.

f) **No exponga un paquete de batería o una herramienta a fuego o temperatura excesiva.** La exposición a fuego o temperaturas mayores a 130 °C (265 °F) pueden causar una explosión.

g) **Siga todas las instrucciones de carga y no cargue el paquete de batería o la herramienta fuera del rango de temperatura especificado en las instrucciones.** Cargar inadecuadamente o en una temperatura fuera del rango de temperatura especificado puede dañar la batería e incrementar el riesgo de incendio.

## 6) Mantenimiento

a) **Solicite a una persona calificada en reparaciones que realice el mantenimiento de su herramienta eléctrica y que sólo utilice piezas de repuesto idénticas.** Esto garantizará la seguridad de la herramienta eléctrica.

b) **Nunca dé servicio a paquetes de batería dañados.** El servicio de paquetes de batería sólo debe ser realizado por el fabricante o proveedores de servicio autorizados.

## Reglas de seguridad para rociadores químicos de concreto

▲ **ADVERTENCIA:** Úselo únicamente para rociar productos químicos aprobados. Consulte la tabla **PRODUCTOS QUÍMICOS COMPATIBLES** al final de esta sección.

▲ **ADVERTENCIA:** Cuando use un rociador eléctrico, siempre se deben seguir las precauciones de seguridad básica para reducir el riesgo de incendio, descarga eléctrica, y lesiones personales, incluyendo las siguientes:

- **No deje el rociador cuando esté conectado a la fuente de energía.** Retire el paquete de batería cuando no esté en uso y antes de dar servicio.
- **No permita que el rociador se use como un juguete.** Se necesita poner atención cuando sea usado por o cerca de niños.

• **SÓLO use este rociador como se describe en este manual.** Use sólo accesorios recomendados.

- **No use este rociador si muestra señales de falla de cualquier manera.** Si el rociador no funciona correctamente, se ha dejado caer, se dañó, o se dejó caer en agua, regréselo a un centro de servicio.
- Mantenga el cabello, ropa suelta, los dedos y todas las partes del cuerpo alejados de las aberturas y partes móviles.
- Apague todos los controles antes de desconectar de la fuente de energía.
- Tenga cuidado adicional cuando se use en escaleras.

## Instrucciones de seguridad adicionales

▲ **ADVERTENCIA:** Lea todas las advertencias de seguridad y todas las instrucciones. La falla en seguir las advertencias e instrucciones puede resultar en descarga eléctrica, incendio y/o lesiones serias.

**Para reducir el riesgo de lesiones:**

- **Evite condiciones ambientales peligrosas** – No use el rociador eléctrico en ubicaciones mojadas o húmedas. No use el rociador en la lluvia.
- **Utilice el rociador correcto** - No utilice este rociador para ninguna aplicación excepto para la que está diseñado.
- **Mantenga a los niños, transeúntes y animales alejados del área de trabajo cuando opere el rociador.**
- **Mantenga el rociador con cuidado.** Mantenga el rociador limpio para su mejor desempeño y seguridad. Siga las instrucciones para mantenimiento adecuado.

- **Permanezca alerta** - Observe lo que está haciendo. Utilice el sentido común. No opere el rociador cuando esté cansado.

- **NO** apunte el chorro del rociador a ninguna persona, incluyéndose.

- ▲ **PELIGRO:** Riesgo de inyección de fluidos y laceración. Cuando utilice la configuración de alta presión, NO permita que el rocío de alta presión entre en contacto con la piel, los ojos o las mascotas o animales sin protección. Se producirán lesiones graves.

- **NO** intente retirar obstrucciones del rociador sin primero retirar la batería.

- **NO** sumerja ninguna parte del rociador en líquido.

- **NO** use el rociador si el interruptor no lo enciende o apaga.

Un rociador que no pueda ser controlado con el interruptor es peligroso y se debe reparar.

- **NO** se estire. Mantenga una base de apoyo y equilibrio adecuados en todo momento.

- **Nunca deje el rociador en operación sin supervisión.**

Apague la energía.

- **Almacenamiento de rociador** sin usar. Cuando no esté en uso, el rociador se debe almacenar en un lugar seco, en alto y asegurado fuera del alcance de los niños.

- **Se incluyen instrucciones para baterías compatibles y cargadores para referencia en este manual.** Lea todos los manuales de instrucciones incluidos con su paquete de batería o cargador. Lea todas las marcas de precaución en el cargador y el paquete de batería.

- **Desconecte el paquete de la batería del rociador antes de realizar cualquier ajuste, cambiar accesorios, dar servicio, mover o guardar el rociador.** Tales medidas preventivas de seguridad reducen el riesgo de rociado accidental.

- **NO** cargue cuando el paquete de batería esté debajo de 40 °F (4.5 °C) o arriba de 104 °F (40 °C). No almacene ni utilice la herramienta ni el paquete de batería en lugares donde la temperatura pueda alcanzar o superar los 40 °C.

## INSTRUCCIONES DE SEGURIDAD IMPORTANTES

- ▲ **PELIGRO:** RIESGO DE MUERTE, LESIONES PERSONALES GRAVES Y/O DAÑOS MATERIALES POR EL USO O LA MEZCLA QUÍMICA INADECUADA.

- ▲ **PELIGRO:** Peligro de explosión. Use únicamente un fluido que tenga un punto de ignición mayor a 140 °F (60 °C). Consulte la etiqueta del contenedor o la Hoja de Datos de Seguridad (HDS) del fluido.

- Rociar productos químicos inflamables o combustibles puede crear humos combustibles que podrían encenderse y causar una explosión.

- ▲ **ADVERTENCIA:** No mezcle productos químicos diferentes.
- Nunca use sellador.

- Utilice únicamente productos químicos indicados para aplicaciones con rociado. Algunos productos químicos pueden crear una atmósfera tóxica o peligrosa al rociarse.

- Consulte siempre las instrucciones del fabricante del producto químico o la Hoja de Datos de Seguridad (FDS) para una mezcla adecuada y una aplicación segura.

- ▲ **ADVERTENCIA:** RIESGO DE LESIONES PERSONALES O DAÑOS MATERIALES DEBIDO A LA EXPOSICIÓN A PRODUCTOS QUÍMICOS.

- Lea y comprenda completamente el manual de instrucciones antes de usar este rociador.

- Siga todas las instrucciones y precauciones del manual de instrucciones al usar este rociador.

- Lea y siga todas las instrucciones y precauciones de la etiqueta del fabricante de los productos químicos utilizados en este rociador.

- Utilice el equipo de protección personal (EPP) adecuado, conforme lo recomendado por el fabricante del producto químico o consulte la Hoja de Datos de Seguridad (HDSM) del producto químico utilizado. Esto incluye, como mínimo, gafas protectoras, guantes, protección respiratoria adecuada y ropa protectora. El uso inadecuado del EPP podría provocar exposición a sustancias químicas por contacto con la piel, los ojos, inhalación u otros medios.

- Después del montaje inicial, un almacenamiento prolongado o cualquier evento potencialmente dañino, como una caída, inspeccione siempre el rociador para detectar daños y pruébelo con agua corriente para comprobar su correcto funcionamiento. Asegúrese que todas las conexiones estén seguras y sin fugas, y que la manguera no presente daños, antes de utilizar el rociador con producto químico.

- Siempre revise la manguera y todas las conexiones antes de cada uso. Una manguera dañada o conexiones sueltas podrían provocar una descarga incontrolada de productos químicos a alta presión.

- No rocíe cerca de llamas abiertas, superficies calientes ni nada que pueda vaporizar el producto. Hacerlo podría crear una atmósfera química peligrosa.

- Nunca utilice productos cáusticos, lejía, ácidos, agua caliente ni productos químicos que generen presión en este rociador.

- Mantenga el rociador y todos los productos químicos fuera del alcance de los niños y las mascotas.

- Únicamente rocíe cuando el aire esté en calma (sin viento ni movimiento de aire) para evitar que el producto químico pulverizado se desplace hacia superficies no deseadas y evitar la deriva teniendo en cuenta el uso de diferentes parámetros como boquillas, presión, altura del brazo, velocidad del viento, etc.

- Libere siempre la presión cuando el rociador no esté en uso y antes de realizar tareas de mantenimiento. El fluido retenido a alta presión en la manguera puede causar lesiones si se rocía accidentalmente.

- Nunca guarde productos químicos en el rociador.

- Guarde o deseche los productos químicos no utilizados de acuerdo con las instrucciones del fabricante, debido al riesgo de daños ambientales causados por derrames o fugas, o consulte los criterios de eliminación que se indican en la Hoja de Datos de Seguridad (HDS).

- Limpie y enjuague el rociador después de cada uso para evitar la exposición accidental a productos químicos y la contaminación en aplicaciones posteriores.

- Guarde el rociador en un lugar cálido, seco y sin polvo, alejado de la luz solar directa.

- ▲ **ADVERTENCIA:** RIESGO DE LESIONES PERSONALES O DAÑOS MATERIALES DEBIDO A LA RUPTURA O DESCARGA DESCONTROLADA DE PRODUCTO QUÍMICO LÍQUIDO A ALTA PRESIÓN.

- Nunca modifique ni altere el rociador de su estado original. Nunca caliente ni altere la manguera, la tuerca de la manguera ni la conexión. Hacerlo podría debilitar los componentes o las conexiones.

- Utilice únicamente partes de repuesto del fabricante original. Otras partes de repuesto no son compatibles con este rociador.

- Nunca presurice el rociador con ningún dispositivo que no sea la bomba suministrada por el fabricante original. El uso

de un compresor de aire u otro dispositivo no estándar para presurizar el tanque podría exceder la presión de trabajo segura del rociador.

- No levante, transporte ni tire del rociador por la manguera, la válvula de cierre ni la extensión de la varilla. Hacerlo podría debilitar los componentes o las conexiones. Transporte únicamente por la manija o el arnés, asegurándose que las conexiones estén bien aseguradas antes de levantarlo.
- Para reducir el riesgo de descarga eléctrica, no coloque el rociador en agua u otro líquido. No coloque o guarde el rociador donde pueda caer o tirarse dentro de una bañera o tarja.

**Información de seguridad adicional**

**▲ ADVERTENCIA:** Nunca modifique la herramienta eléctrica ni ninguna parte de ella. Podrían producirse daños o lesiones personales.

**▲ ADVERTENCIA:** SIEMPRE use gafas de seguridad. Los anteojos de uso diario NO son gafas de seguridad. También use una careta o máscara de polvo si la operación de corte produce polvo. SIEMPRE USE EQUIPO DE SEGURIDAD CERTIFICADO:

- Protección para los ojos ANSI Z87.1 (CAN/CSA Z94.3),
- Protección respiratoria NIOSH/OSHA/MSHA.

**PROPUESTA DE CALIFORNIA 65**

**▲ ADVERTENCIA:** Este producto o su cable de energía contiene plomo, un químico conocido por el Estado de California que causa cáncer, y defectos de nacimiento u otros daños reproductivos. Lávese las manos después del manejo.

**▲ ADVERTENCIA:** Algún polvo creado por lijado, aserrado, pulido, perforación eléctricos y otras actividades de construcción contienen químicos conocidos por el Estado de California como causantes de cáncer, defectos de nacimiento u otros daños reproductivos. Algunos ejemplos de estos químicos son:

- plomo a partir de pinturas a base de plomo,
- sílice cristalino de ladrillos y cemento y otros productos de mampostería, y
- arsénico y cromo a partir de madera tratada químicamente.









Su riesgo a partir de estas exposiciones varía, dependiendo de qué tan a menudo realice este tipo de trabajo. Para reducir su exposición a estos químicos: trabaje en un área bien ventilada, y trabaje con equipo de seguridad aprobado, tal como máscaras de polvo que estén diseñadas específicamente para filtrar partículas microscópicas.

**PROTECCIÓN CONTRA SALPICADURAS Y ROCÍOS LIGEROS DE PRODUCTOS QUÍMICOS LÍQUIDOS.**

- El producto químico que se va a rociar debe indicar el nivel de equipo de protección personal requerido. Revise las instrucciones del producto químico.
- Use ropa de protección y lave las áreas expuestas con agua y jabón. Permitir que los productos químicos entre en su boca, ojos, o que quede sobre la piel puede promover la absorción de químicos peligrosos. Dirija las partículas lejos de la cara y el cuerpo.

**▲ ATENCIÓN:** Cuando no esté en uso, coloque el rociador sobre una superficie estable donde no cause un peligro de tropiezo o caída. Algunas herramientas con paquetes de batería grandes pueden quedar verticales sobre el paquete de batería pero se pueden voltear fácilmente

La etiqueta en su herramienta puede incluir los siguientes símbolos. Los símbolos y sus definiciones son los siguientes:

- V ..... volts  ..... use protección para los ojos
- Gal ..... galón  ..... use ropa de protección
- GPM ..... galones por minuto  ..... lea toda la documentación
- Ft. ..... pies  ..... no exponga a la lluvia
- Sq.Yd. .... Yarda cuadrada  ..... Mantenga alejados a los transeúntes
- PSI ..... libras por pulgada cuadrada 
-  ..... símbolo de alerta de seguridad
-  ..... use protección respiratoria

**ENSAMBLE Y AJUSTES**

**▲ ADVERTENCIA:** Para reducir el riesgo de lesiones personales serias, apague la unidad y retire el paquete de batería antes de realizar cualquier ajuste o retirar/instalar conexiones o accesorios. Un arranque accidental puede causar lesiones.

**▲ ADVERTENCIA:** RIESGO DE LESIONES PERSONALES O DAÑOS MATERIALES DEBIDO A LA EXPOSICIÓN A PRODUCTOS QUÍMICOS. Después del ensamble inicial, siempre revise el rociador para detectar posibles daños y pruébelo con agua corriente para comprobar su correcto funcionamiento. Asegúrese que todas las conexiones estén seguras y sin fugas, y que la manguera no presente daños, antes de utilizar el rociador con productos químicos.

**▲ ADVERTENCIA:** Sólo use accesorios recomendados o vendidos por el fabricante.

**Control de flujo variable (Fig. C)**

El flujo se puede controlar girando la perilla de control de flujo variable **4**. Hay diez selecciones diferentes de presión y flujo. Al girar la perilla en sentido de las manecillas del reloj, aumentará la presión y el flujo. Al girar la perilla en sentido contrario a las manecillas del reloj, disminuirá la presión y el flujo.

Consulte la **Tabla de caudal de la boquilla** cerca del final de esta sección.

**Ensamble de la varilla (Fig. E)**

1. Instale la varilla **7** en el ensamble de manija/apagado de varilla **9** y apriete la tuerca de la varilla **16** en sentido de las manecillas del reloj en la varilla para asegurarlos.

**Conexión de boquilla (Fig. D, F)**

1. Conecte el adaptador de boquilla **25** (Fig. F) en el extremo de la varilla **7**, y seleccione el accesorio de boquilla deseado (Fig. D).
2. Revise si el anillo O **26** o el sello plano **27** está en el accesorio de boquilla, y ensamble al adaptador de boquilla y apriete firmemente (Fig. F).

**FUNCIONALIDAD Y USOS DE LA BOQUILLA**

Boquilla espumante <b>19</b>	• Crea un chorro de espuma al rociar líquidos que forman espuma fácilmente.
Boquilla de chorro <b>20</b>	• Chorro preciso para aplicaciones específicas a distancia.

Boquilla cónica de latón ajustable <b>21</b>	• Produce un patrón de rociado cónico, donde el líquido emerge en un patrón circular u ovalado.
Boquilla de abanico de latón de caudal pequeño <b>24</b>	• Chorro plano para una cobertura pequeña y un rociado preciso en áreas confinadas.
Boquilla de abanico de caudal medio <b>23</b>	• Chorro plano para una cobertura media.
Boquilla de abanico de caudal grande <b>22</b>	• Chorro plano para una cobertura muy amplia y líquidos de alta viscosidad.

Consulte la **Tabla de caudal de la boquilla** cerca del final de esta sección.

### Instalación de arnés (Fig. A, G1–G4)

1. Para cada lado del arnés **12**, retire los sujetadores de plástico pequeños **28** de los dos lazos de correa de hombro **44** y pase cada lazo a través de las ranuras de la manija **43** cerca de la parte superior de la manija de transporte **2** (Fig. G1).
  2. Vuelva a colocar los sujetadores de plástico a través de los dos lazos de la correa de hombro y jale del arnés/correas de hombro para asegurar las dos correas del arnés en su lugar.
  3. Después que el arnés se haya conectado a la parte superior de la manija de transporte **2**, sujete la manija de transporte a la parte superior del tanque **1** sosteniendo la manija de transporte en su lugar contra el área hundida del tanque **49** mientras inserta los cuatro tornillos incluidos **47** en las aberturas de orificio de tornillo **50** (Fig G2). Apriete los cuatro tornillos.
  4. Inserte la correa del arnés inferior **42** en el corte "posterior" **30** de la base inferior debajo del bloque fijo **51** (Fig. G3, G4). Jale del exceso de longitud para poder realizar el paso 5.
  5. Pase la correa sobrante por debajo y de vuelta a través del corte "inferior". Asegúrese que la correa rodee por debajo del bloque fijo.
  6. Al empujar la correa inferior del arnés, seguirá la superficie curva de la base inferior de plástico y saldrá por el corte "posterior".
  7. Jale el exceso de material para pasarlo nuevamente a través de la primera sección de la hebilla **29** (Fig. G3).
- NOTA:** Si la correa se sale de la base inferior al pasarla por la hebilla (o antes), esto indica que no se ha enrollado correctamente alrededor del bloque fijo, y será necesario repetir los pasos 4-7.
8. Pase la correa por la segunda sección de la hebilla, por encima de la sección inferior de la correa, y ajuste conforme corresponda.
  9. Arnés en posición ensamblada, como se muestra en la Fig. G4.
  10. Pase la correa por la primera sección de la hebilla. Después, pase la correa por la otra sección de la hebilla para apretarla. Ajuste las hombreras y la longitud de las correas para un ajuste cómodo.

### Conexión de manguera a tanque (Fig. A, I1–I5)

1. Conecte la manguera **10** a la base del tanque **48** asegurando la tuerca hexagonal **45**/conector de manguera giratoria **11** en sentido de las manecillas del reloj a la base del tanque (Fig. A, I1).
  2. Coloque ambas piezas de la cubierta del conector **46** alrededor de la tuerca hexagonal y el conector de manguera giratoria (Fig. I2–I4).
- NOTA:** La cubierta del conector tiene una ranura en el borde que encaja con la tuerca hexagonal.
3. Alinee los cuatro seguros de las piezas de la cubierta del conector y conéctelas (Fig. I4) para finalizar la conexión del suministro de agua, como se muestra en la Fig. I5.

### OPERACIÓN

**▲ ADVERTENCIA:** Para reducir el riesgo de lesiones personales serias, apague la unidad y retire el paquete de batería antes de realizar cualquier ajuste o retirar/instalar conexiones o accesorios. Un arranque accidental puede causar lesiones.

**▲ ADVERTENCIA:** RIESGO DE LESIONES PERSONALES DEBIDO A EXPOSICIÓN QUÍMICA. Utilice el Equipo de protección personal (EPP) adecuado, conforme lo recomendado por el fabricante del producto químico o consulte la Hoja de Datos de Seguridad (HDSM) del producto químico utilizado. Esto incluye, como mínimo, gafas protectoras, guantes, protección respiratoria adecuada y ropa protectora.

**▲ ADVERTENCIA:** Para reducir el riesgo de lesiones personales, apague el rociador y retire el paquete de batería antes de realizar cualquier ajuste o retirar/instalar conexiones o accesorios. Un arranque accidental puede causar lesiones.

**▲ AVISO:** El paquete de batería no está completamente cargado cuando se retira del cartón. Antes de usar la batería y el cargador, lea las instrucciones de seguridad a continuación y después siga los procedimientos de carga descritos.

### Colocación adecuada de manos (Fig. A, L)

**▲ ADVERTENCIA:** Para reducir el riesgo de lesiones personales serias, **SIEMPRE** use la posición de las manos adecuada como se muestra.

**▲ ADVERTENCIA:** Para reducir el riesgo de lesiones personales serias, **SIEMPRE** sostenga firmemente en anticipación de una reacción repentina. La posición de mano adecuada requiere una mano en el ensamble de manija/apagado de varilla **9**.

**NOTA:** Siempre use el arnés **12** y tenga el arnés abrochado como se muestra (Fig. A, L).

### Llenado del rociador (Fig. A, H1, H2, M)

**▲ ADVERTENCIA:** Revise el rociador, la manguera, el cierre, la varilla y todas las conexiones para detectar daños antes de cada uso. Una conexión de manguera dañada o suelta puede provocar una exposición accidental a los productos químicos presurizados, lo que puede causar lesiones graves o daños materiales.

**▲ ADVERTENCIA:** Cando se llene, el rociador quedará pesado, tenga cuidado al colocarlo en la mochila para evitar tensiones.

### Antes de comenzar

Pruebe el rociador con agua corriente antes de usarlo con productos químicos, antes del primer uso y después de un almacenamiento prolongado.

1. Coloque el rociador sobre una superficie estable y asegúrese que esté apagado.
2. Retire el paquete de batería **13** del compartimiento de batería.  
Consulte **Desinstalación de paquete de batería**.
3. Apriete la palanca de cierre **36** para liberar la presión de la manguera.
4. Desenrosque la tapa **31** y retire el empaque de la cesta del filtro **32** de la tapa. Coloque el empaque y la tapa de la cesta del filtro sobre una superficie limpia donde no se acumule suciedad, polvo ni otros residuos.
5. Retire la cesta del filtro **33**, y elimine cualquier residuo. Coloque la cesta del filtro sobre una superficie limpia donde no se acumule suciedad, polvo ni otros residuos.
6. Revise el interior del tanque **1** en busca de residuos y límpielo conforme sea necesario.
7. Verifique que el filtro del tanque **34** esté en su lugar, que la malla esté intacta y que no esté obstruido con residuos (Fig. H2). Consulte la **sección** Mantenimiento de tapa / canasta del filtro / filtro del tanque.
8. Asegúrese que el ensamble de la manija / cierre de la varilla **9** esté conectado al tanque. De lo contrario, el líquido se derramará por la conexión abierta. Consulte la **sección** Conexión de la manguera al tanque.
9. Vuelva a insertar la cesta del filtro después de finalizar las comprobaciones.
10. Siga las instrucciones del fabricante del producto químico para prepararlo. Llene el rociador vertiendo líquido en la abertura superior y a través de la cesta del filtro, hasta el volumen deseado, de acuerdo con las marcas de graduación de volumen en el lateral del tanque.
11. Vuelva a insertar el empaque del filtro en la tapa y atorníllela firmemente a la boca del tanque.
12. Limpie cualquier derrame, salpicadura o derrame de líquido en el rociador. Evite el contacto con la piel.
13. Inserte la batería. Consulte la **sección** Instalación de paquete de batería.

## Instalación de paquete de batería (Fig. B)

- ▲ ADVERTENCIA: RIESGO DE INCENDIO, QUEMADURAS O DESCARGA ELÉCTRICA.** Para reducir el riesgo de incendio o explosión de las baterías, utilice únicamente baterías en buen estado. No utilice baterías mojadas o dañadas.
- ▲ ADVERTENCIA:** Evite el rociado involuntario. Asegúrese que el interruptor esté en la posición de apagado antes de conectar al paquete de batería, al recoger o transportar el rociador. Transportar el rociador con su dedo en el interruptor o energizar el rociador que tenga el interruptor encendido puede provocar accidentes.
- ▲ ATENCIÓN: RIESGO DE ROCIADO ACCIDENTAL.** Asegúrese que el rociador esté apagado y que la palanca de apagado esté suelta antes de insertar la batería. El rociador pulverizará cuando la batería esté insertada si está encendido y la palanca de apagado presionada.
1. Asegúrese que el rociador esté sobre una superficie estable y apagado.
  2. Abra el compartimiento de batería **5** liberando el seguro de la puerta metálica **35** sujeto a la puerta lateral **38**, y gire la puerta lateral hacia los lados.
  3. Alinee el paquete de batería **13** con los rieles dentro del compartimiento de la batería y deslícelo dentro del compartimiento hasta que el paquete de baterías quede firmemente asentado. Asegúrese que no se desconecte.

4. Cierre la puerta lateral y asegúrese que el seguro metálico de la puerta esté conectado.

## Desinstalación de paquete de batería (Fig. B)

1. Asegúrese que el rociador esté sobre una superficie estable y apagado.
2. Abra el compartimiento de la batería liberando el seguro metálico **35** de la puerta lateral **38** y abra la puerta lateral hacia un lado.
3. Presione el botón de liberación del paquete de batería **14** y extraiga la batería del compartimiento.
4. Cierre la puerta lateral y asegúrese que el seguro metálico de la puerta esté conectado.

## Indicador de estado de carga de batería (Fig. A–C)

Una vez instalado el paquete de batería **13**, puede comprobar el estado de carga mediante la función de Estado de carga (SOC), ubicada en el ensamble de manija/apagado de varilla **9**. Esta función se activa independientemente de si el interruptor de encendido **8** está encendido o apagado. La interfaz de alimentación del ensamble de manija/apagado de varilla cuenta con un botón de indicador de batería **18** y luces indicadoras **17**, como se muestra en la Fig. C.

1. Presione el botón indicador de batería **18** para encender las luces indicadoras **17**.

### LUCES INDICADORAS DE BATERÍA:

LUCES	Flujo
Tres luces verdes	100%–75%
Dos luces verdes indican	74%–51%
Una luz verde indica	<50%

**NOTA:** El LED de la batería aún puede mostrar una carga restante incluso aunque el rociador no funcione.

## Rociado (Fig. A, C, M)

**▲ ADVERTENCIA: RIESGO DE LESIONES PERSONALES O DAÑOS MATERIALES DEBIDO AL ROCÍO DE PRODUCTOS QUÍMICOS.** Asegúrese que la palanca de apagado esté suelta antes de encender el rociador. Una vez encendido, la bomba presurizará el sistema y rociará si se presiona la palanca de apagado.

**▲ AVISO: RIESGO DE DAÑO A LA PROPIEDAD.** Rocíe sólo cuando el aire esté en calma (sin viento ni movimiento de aire) para evitar que el producto químico se desplace hacia superficies no deseadas.

1. Coloque el interruptor de encendido/apagado **8** en la posición de encendido para encender el rociador. Si el rociador no se ha utilizado recientemente, es posible que escuche un sonido bajo y audible. Esto indica que la bomba se ha encendido y está generando presión en el sistema.
- NOTA:** Si el rociador se usó recientemente y aún tiene presión en el sistema, es posible que la bomba no se encienda hasta que presione la palanca de apagado **36**.
2. Apunte la varilla **7** en la dirección deseada para rociar y presione la palanca de apagado **36**.
3. Para rociar de forma continua, presione la palanca de apagado y gire el seguro **37** en sentido de las manecillas del reloj para mantenerla presionada.
4. Desbloquee el seguro girando el seguro en sentido contrario a las manecillas del reloj, si es necesario, y suelte la palanca de apagado para detener el rociado.

5. Para apagar el rociador, coloque el botón de encendido en la posición de apagado.

6. Retire siempre los productos químicos y limpie el rociador al terminar. Consulte las secciones **Limpieza** y **Almacenamiento** de este manual.

### Sujetador de almacenamiento vertical para varilla (Fig. J)

Hay un sujetador de almacenamiento vertical para varilla **3** conectado al lado del tanque con el que se puede asegurar la varilla. El sujetador de almacenamiento vertical de varilla facilita el almacenamiento, ya que reduce el espacio necesario alrededor del rociador. El sujetador de almacenamiento horizontal de varilla **39** ubicado debajo de la manija de la mochila todavía está disponible para uso.

### Bolsa de almacenamiento de boquilla (Fig. K)

Hay una bolsa de almacenamiento de boquilla **40** que está ubicada en el cinturón de cadera **41** del arnés **12**.

### Almacenamiento

1. Enjuague la bomba, la manguera, el ensamble de manija/apagado de varilla y la boquilla con agua durante por lo menos 30 segundos. Consulte la sección **Limpieza**.

2. Una vez que el rociador esté completamente enjuagado y limpio de residuos químicos, guárdelo junto con la batería en un lugar cálido y seco, alejado de la luz solar directa y de fuentes de humedad o calor intenso. No guarde el rociador en lugares con temperaturas bajo cero (inferiores a 32° F / 0 °C). Si se congela el agua dentro del rociador, la bomba, las juntas, el cierre u otros componentes podrían dañarse, y la garantía del rociador podría quedar anulada.

### Transporte

**▲ ADVERTENCIA: RIESGO DE INCENDIO.** No guarde, transporte, o lleve el paquete de batería de forma que objetos de metal puedan tener contacto con las terminales expuestas de la batería. Por ejemplo, no coloque la batería en delantales, bolsillos, cajas de herramientas, cajas de juego de productos, cajones, etc., con clavos sueltos, tornillos, llaves, monedas, herramientas manuales, etc. Al transportar paquetes de baterías individuales, asegúrese que las terminales de la batería estén protegidas y bien aisladas de materiales que puedan entrar en contacto con ellas y causar un cortocircuito. Asegure el rociador durante el transporte para prevenir daño o lesiones.

**NOTA:** Los paquetes de batería de ion de litio no se deben colocar en equipaje de mano en aviones y se deben proteger adecuadamente contra corto circuito si están en el equipaje registrado.

### Gancho de cinturón (Fig. A)

**▲ ADVERTENCIA: Para reducir el riesgo de lesiones personales serias, SÓLO use el gancho de cinturón de la herramienta para colgar la herramienta de un cinturón de trabajo. NO use el gancho de cinturón para anclar o asegurar la herramienta a una persona u objeto durante el uso. NO suspenda la herramienta por arriba de su cabeza o suspenda objetos del gancho del cinturón.**

El ensamble de manija/apagado de varilla **9** se suministra con un gancho de cinturón preinstalado **15**. Este gancho de cinturón se ensambla en el ensamble de manija/apagado de la varilla en la fábrica y no se puede quitar.

### MANTENIMIENTO

**▲ ADVERTENCIA: Para reducir el riesgo de lesiones personales serias, apague la unidad y retire el paquete de batería antes de realizar cualquier ajuste o retirar/instalar conexiones o accesorios.** Un arranque accidental puede causar lesiones.

**▲ ADVERTENCIA: RIESGO DE LESIONES PERSONALES O DAÑOS MATERIALES DEBIDO A LA EXPOSICIÓN A PRODUCTOS QUÍMICOS.** Asegúrese siempre que se hayan eliminado todos los productos químicos del rociador y que éste se haya limpiado antes de realizar cualquier mantenimiento.

**▲ ADVERTENCIA: RIESGO DE LESIONES PERSONALES.** Libere siempre la presión del rociador antes de realizar cualquier mantenimiento. Desmontar un rociador que aún esté presurizado puede provocar la expulsión rápida de componentes. Asegúrese que el rociador esté apagado y apriete la palanca de cierre hasta que se libere toda la presión. Su herramienta eléctrica DEWALT ha sido diseñada para funcionar durante un largo período de tiempo con un mínimo de mantenimiento. La operación satisfactoria continua depende del cuidado adecuado y limpieza regular de la herramienta.

### Mantenimiento de boquilla

**▲ ADVERTENCIA: Antes de realizar cualquier mantenimiento, despresurice siempre el rociador asegurándose que esté apagado y después apretando la palanca de apagado para rociar hasta que se detenga el flujo de líquido.**

- Si una boquilla se obstruye, retire y desmonte el ensamble de la boquilla.
- Limpie las aberturas para eliminar cualquier obstrucción o residuo.
- No utilice herramientas afiladas que puedan rayar o dañar las boquillas, ya que esto podría afectar el patrón de rocío.
- No golpee la boquilla contra superficies para eliminar la obstrucción.

### Mantenimiento de tapa / canasta del filtro / filtro del tanque (Fig. B, H1, H3, M)

**▲ ATENCIÓN: RIESGO DE DAÑOS A COMPONENTES INTERNOS.** No utilice el rociador sin el filtro del tanque correctamente instalado. Si lo hace, podrían entrar residuos en la bomba y causar obstrucciones o daños.

1. Asegúrese que el rociador esté apagado y retire el paquete de batería **13**. Consulte la sección **Desinstalación de paquete de batería**.
2. Apriete la palanca de cierre **36** para liberar cualquier presión restante de la manguera.
3. Retire la tapa **31**, y la cesta de filtro **33**. Separe el empaque **32** de la tapa. Enjuague con agua limpia para eliminar cualquier residuo.
- NOTA:** Revise la tapa, el empaque y la cesta del filtro para asegurarse que no presenten señales de desgaste y funcionen correctamente. Reemplácelos conforme sea necesario.
4. Coloque la tapa, el empaque y la cesta del filtro sobre una superficie limpia donde no acumulen suciedad, polvo, ni otros residuos.
5. Vierta el líquido del tanque en un recipiente adecuado para su uso posterior o para su eliminación correcta, de acuerdo con las instrucciones del fabricante del producto químico.

6. Enjuague y vacíe el tanque para eliminar cualquier suciedad, desechos o residuos.
  7. Introduzca la mano en el tanque y sujete con cuidado el filtro del tanque **34** ubicado en la parte inferior del tanque (Fig. H3).
  8. Gire el filtro del tanque en el sentido de las manecillas del reloj y jale hacia arriba para retirarlo del tanque.
  9. Limpie el filtro del tanque cuidadosamente, enjuagándolo de adentro hacia afuera. Asegúrese de no rasgar ni dañar la malla. Cualquier daño en la malla puede permitir la entrada de residuos en la bomba y causar obstrucciones o daños en la misma.
- NOTA:** Si el filtro del tanque está dañado o demasiado sucio para permitir su limpieza, reemplácelo por uno nuevo.
10. Para volver a instalar el filtro dentro del tanque, alinee el extremo del filtro con el orificio de instalación inferior del tanque de agua y empuje el filtro hacia abajo hasta que se detenga.

## Limpeza (A–C, H1, J, M)

**▲ ADVERTENCIA:** *Sople la suciedad y polvo de todas las ventilas de aire con aire limpio y seco por lo menos una vez a la semana. Para minimizar el riesgo de lesiones de los ojos, siempre use protección para los ojos aprobada por ANSI Z87.1 cuando realice este procedimiento.*

**▲ ADVERTENCIA:** *Use una tela humedecida únicamente con agua y jabón suave. Nunca permita que entre líquido a la herramienta; nunca sumerja ninguna parte de la herramienta en líquido.*

**▲ ADVERTENCIA:** *Libere siempre la presión del rociador antes de la limpieza. Desmontar un rociador que aún esté presurizado puede provocar la expulsión rápida del líquido restante en la manguera.*

**▲ ADVERTENCIA: RIESGO DE LESIONES PERSONALES DEBIDO A EXPOSICIÓN QUÍMICA.** *Utilice el equipo de protección personal (EPP) adecuado, conforme lo recomendado por el fabricante del producto químico o consulte la Hoja de Datos de Seguridad (HDSM) del producto químico utilizado. Esto incluye, como mínimo, gafas protectoras, guantes, protección respiratoria adecuada y ropa protectora.*

**▲ ADVERTENCIA: RIESGO DE DAÑOS A COMPONENTES INTERNOS.** *Si no se enjuaga correctamente el rociador, pueden acumularse residuos químicos que pueden obstruir o dañar los filtros, la bomba, el cierre, la varilla y la boquilla. La acumulación de residuos químicos también puede contaminar aplicaciones posteriores. Dejar líquidos químicos en el rociador cuando no se utiliza puede provocar un desgaste prematuro. Nunca guarde el rociador con productos químicos en ninguna de sus partes.*

1. Asegúrese que el rociador esté apagado y retire el paquete de batería **13**. Consulte la sección **Desinstalación de paquete de batería**.
2. Retire la tapa **31** y vacíe el exceso de producto químico del tanque en un recipiente adecuado para su uso posterior o deséchelo de acuerdo con las instrucciones del fabricante.
3. Enjuague y vacíe bien el tanque con agua limpia hasta que se eliminen todos los productos químicos y residuos.
4. Agregue aproximadamente 1 cuarto de galón (1 litro) de agua limpia al tanque.
5. Inserte el paquete de batería. Consulte la sección **Instalación de paquete de batería**.

6. Coloque el interruptor de encendido/apagado **8** en la posición de encendido para encender el rociador.
7. Enjuague la bomba, la manguera, el ensamble de manija/apagado de varilla y la boquilla con agua durante por lo menos 30 segundos. Si no se enjuagan estos componentes, podrían acumularse residuos químicos que podrían obstruirlos o dañarlos. Después de un uso intensivo, enjuagar las boquillas podría no ser suficiente para eliminar los residuos. Es posible que sea necesario remojar las boquillas en agua corriente o limpiarlas con un cepillo pequeño.
8. Vacíe el agua restante del tanque y continúe rociando hasta que ya no salga agua por la boquilla. Esto indica que se ha eliminado la mayor parte del agua del sistema.
9. Gire el interruptor de encendido/apagado a la posición de apagado para apagar el rociador y después retire la batería.
10. Apriete la palanca de cierre **36** para liberar cualquier presión restante de la manguera.
11. Permita que el rociador se seque. La mejor manera de hacerlo es retirando la tapa **31** y la cesta del filtro **33** y colgando el tanque **1** boca abajo para que se drene.
12. Una vez que se seque el tanque, colóquelo en posición vertical y vuelva a colocar la cesta del filtro y la tapa para evitar que entren residuos.

## Accesorios

**▲ ADVERTENCIA:** *Ya que los accesorios, diferentes a los ofrecidos por DEWALT, no han sido probados con este producto, el uso de tales accesorios con esta herramienta podría ser peligroso. Para reducir el riesgo de lesiones, sólo se deben usar accesorios recomendados por DEWALT con este producto.* Los accesorios recomendados para uso con su herramienta están disponibles por un costo adicional a partir de su distribuidor local o centro de servicio autorizado. Si necesita asistencia para localizar cualquier accesorio, póngase en contacto con DEWALT. Llame al **1-800-4-DEWALT (1-800-433-9258)** o visite nuestro sitio web: **www.dewalt.com**.

## Reparaciones

El cargador y las unidades de batería no pueden ser reparados. El cargador y la unidad de batería no contienen piezas reparables.

**▲ ADVERTENCIA:** *Para asegurar la SEGURIDAD y la CONFIABILIDAD del producto, las reparaciones, el mantenimiento y los ajustes (inclusive la inspección y el cambio de las escobillas, cuando proceda) deben ser realizados en un centro de mantenimiento en la fábrica DEWALT u en un centro de mantenimiento autorizado DEWALT. Utilice siempre piezas de repuesto idénticas.*

**Para reparación y servicio de sus herramientas eléctricas, favor de dirigirse al Centro de Servicio más cercano**

### CULIACAN, SIN

Bld. Emiliano Zapata 5400-1 Poniente Col. (667) 717 89 99 San Rafael

### GUADALAJARA, JAL

Av. La Paz #1779 - Col. Americana Sector Juárez (33) 3825 6978

### MEXICO, D.F.

Eje Central Lázaro Cárdenas No. 18 - Local (55) 5588 9377 D, Col. Obrera

**MERIDA, YUC**

Calle 63 #459-A - Col. Centro (999) 928 5038

**MONTERREY, N.L.**

Av. Francisco I. Madero 831 Poniente - Col. Centro (818) 375 23 13

**PUEBLA, PUE**

17 Norte #205 - Col. Centro (222) 246 3714

**QUERETARO, QRO**

Av. San Roque 274 - Col. San Gregorio (442) 2 17 63 14

**SAN LUIS POTOSI, SLP**

Av. Universidad 1525 - Col. San Luis (444) 814 2383

**TORREON, COAH**

Blvd. Independencia, 96 Pte. - Col. Centro (871) 716 5265

**VERACRUZ, VER**

Prolongación Díaz Mirón #4280 - Col. Remes (229) 921 7016

**VILLAHERMOSA, TAB**

Constitución 516-A - Col. Centro (993) 312 5111

**PARA OTRAS LOCALIDADES:**

Si se encuentra en México, por favor llame al (55) 5326 7100

Si se encuentra en U.S., por favor llame al 1-800-4-DEWALT

(1-800-433-9258) o visite nuestro sitio web:

[www.dewalt.com](http://www.dewalt.com)

**Póliza de Garantía**

**IDENTIFICACIÓN DEL PRODUCTO:**

Sello o firma del Distribuidor.

Nombre del producto: \_\_\_\_\_

Mod./Cat.: \_\_\_\_\_

Marca: \_\_\_\_\_

Núm. de serie: \_\_\_\_\_

(Datos para ser llenados por el distribuidor)

Fecha de compra y/o entrega del producto: \_\_\_\_\_

Nombre y domicilio del distribuidor donde se adquirió el producto: \_\_\_\_\_

Este producto está garantizado por un año a partir de la fecha de entrega, contra cualquier defecto en su funcionamiento, así como en materiales y mano de obra empleados para su fabricación. Nuestra garantía incluye la reparación o reposición del producto y/o componentes sin cargo alguno para el cliente, incluyendo mano de obra, así como los gastos de transportación razonablemente erogados derivados del cumplimiento de este certificado.

Para hacer efectiva esta garantía deberá presentar su herramienta y esta póliza sellada por el establecimiento comercial donde se adquirió el producto, de no contar con ésta, bastará la factura de compra.

**Excepciones**

Esta garantía no será válida en los siguientes casos:

- Cuando el producto se hubiese utilizado en condiciones distintas a las normales;

- Cuando el producto no hubiese sido operado de acuerdo con el instructivo de uso que se acompaña;

- Cuando el producto hubiese sido alterado o reparado por personas distintas a las enlistadas al final de este certificado.

Anexo encontrará una relación de sucursales de servicio de fábrica, centros de servicio autorizados y franquiciados en la República Mexicana, donde podrá hacer efectiva su garantía y adquirir partes, refacciones y accesorios originales.

Solamente para depósito de México:  
 Importado por: DEWALT S.A de C.V.  
 Antonio Dovali Jaime #70 Torre C Piso 8  
 Col. Santa Fe Alvaro Obregon,  
 Ciudad de Mexico, Mexico.  
 C.P 01210  
 TEL(52) 55 53267100  
 R.F.C.BDE8106261W7

**Registro en Línea**

Gracias por su compra. Registre su producto ahora para:

- **SERVICIO EN GARANTÍA:** Si completa esta tarjeta, podrá obtener un servicio en garantía más eficiente, en caso de que exista un problema con su producto.
- **CONFIRMACIÓN DE PROPIEDAD:** En caso de una pérdida que cubra el seguro, como un incendio, una inundación o un robo, el registro de propiedad servirá como comprobante de compra.
- **PARA SU SEGURIDAD:** Si registra el producto, podremos comunicarnos con usted en el caso improbable que se deba enviar una notificación de seguridad conforme a la Federal Consumer Safety Act (Ley Federal de Seguridad de Productos para el Consumidor).

Registro en línea en [www.dewalt.com/account-login](http://www.dewalt.com/account-login).

**Garantía limitada de tres años**

Para las condiciones de garantía, visite [www.dewalt.com/support/warranty](http://www.dewalt.com/support/warranty).

Para solicitar una copia escrita de los términos de garantía, póngase en contacto con: Servicio al cliente en DEWALT Industrial Tool Co., 701 East Joppa Road, Towson, MD 21286 o llame al **1-800-4-DEWALT (1-800-433-9258)**.

**AMÉRICA LATINA:** Esta garantía no aplica a productos vendidos en América Latina. Para productos vendidos en América Latina, consulte la información de garantía específica contenida en el empaque, llame a la compañía local o consulte la página de Internet respecto a la información de garantía.

**REEMPLAZO GRATUITO DE ETIQUETA DE GARANTÍA:**

Si sus etiquetas de advertencia se vuelven ilegibles o se pierden, llame al **1-800-4-DEWALT (1-800-433-9258)** para un reemplazo gratuito.

**TABLA DE CAUDAL DE BOQUILLA**

**▲ AVISO: RIESGO DE DAÑO.** El uso frecuente con un ajuste alto de presión puede dañar la bomba o la boquilla o la boquilla.

**AJUSTE DE CARÁTULA DE CONTROL VARIABLE - PRESIÓN (1-10)**

Accesorio de boquilla	1		2		3		4	
<b>NOTA:</b> Presión y flujo puede variar ~10%	Presión (PSI)	Flujo (GPM)	Presión (PSI)	Flujo (GPM)	Presión (PSI)	Flujo (GPM)	Presión (PSI)	Flujo (GPM)
Boquilla espumante <b>19</b>	20	0.28	28	0.33	33	0.34	40	0.42
Boquilla de abanico de caudal pequeño <b>24</b>	33	0.27	38	0.30	44	0.33	50	0.36
Boquilla de abanico de caudal medio <b>23</b>	24	0.29	29	0.32	35	0.36	39	0.39
Boquilla de abanico de caudal grande <b>22</b>	3	0.37	5	0.43	6	0.49	7	0.55
Boquilla de chorro <b>20</b>	11	0.33	15	0.37	18	0.43	20	0.46
Boquilla cónica de latón ajustable <b>21</b>	46	0.22	54	0.24	62	0.27	66	0.29

**NOTA:** Todos los valores representan el rociado con agua o un producto líquido de viscosidad similar. La presión puede variar ~10%.

Se recomienda que la presión de trabajo óptima esté entre 9 y 131 PSI dependiendo de la configuración y la preferencia.

5		6		7		8		9		10	
Presión (PSI)	Flujo (GPM)	Presión (PSI)	Flujo (GPM)	Presión (PSI)	Flujo (GPM)	Presión (PSI)	Flujo (GPM)	Presión (PSI)	Flujo (GPM)	Presión (PSI)	Flujo (GPM)
56	0.46	61	0.49	66	0.51	70	0.52	80	0.56	87	0.58
57	0.42	75	0.43	80	0.44	85	0.46	96	0.50	105	0.52
53	0.45	56	0.48	61	0.49	64	0.51	74	0.53	84	0.57
9	0.61	11	0.65	13	0.69	15	0.72	18	0.77	19	0.84
25	0.55	28	0.57	30	0.60	32	0.62	36	0.67	40	0.70
88	0.32	98	0.34	105	0.35	119	0.37	131	0.39	150	0.41

**SOLUCIÓN DE PROBLEMAS**

**▲ ADVERTENCIA: Riesgo de Operación Insegura.** Antes de realizar mantenimiento del pulverizador, retire la batería, descargue la presión residual restante y deje que el tanque y la manguera se sequen.

PROBLEMA	CAUSA	CORRECCIÓN
El rociador no se enciende (no se oye el zumbido de la bomba).	Asegúrese que la batería esté instalada correctamente.	Instale la batería correctamente. Consulte la sección <b>Instalación de paquete de batería</b> .
	Asegúrese que la batería esté cargada.	Cargue la batería. Consulte el manual de <b>Baterías y cargadores</b> separado.
El rociador se enciende (el cabezal de la bomba zumba), pero no rocía.	La batería podría estar dañada o sobrecalentada. Revise visualmente la batería respecto a daños.	Reemplace la batería si está dañada o no funciona. Si la batería se sobrecalentó, deje que se enfríe.
	La manguera está presurizada. La bomba se apagó automáticamente.	Apriete la palanca de apagado para ver si el rociador arranca y la bomba se enciende.
	No hay líquido en el tanque.	Agregue líquido al tanque. Consulte la sección <b>Llenado del rociador</b> .
La boquilla no rocía.	La boquilla está obstruida.	Limpie la boquilla. Consulte la sección <b>Mantenimiento de boquilla</b> .
	La bomba no está cebada.	Permita por lo menos 30 segundos para que la bomba se ceba.
El filtro del tanque no rocía.	El filtro del tanque está obstruido	Limpie el filtro del tanque. Consulte la sección <b>Mantenimiento de filtro del tanque</b> . Reemplace el filtro del tanque si es necesario.

PROBLEMA	CAUSA	CORRECCIÓN
El rociador se enciende pero sólo rocía a baja presión.	La boquilla está obstruida.	Limpie la boquilla. Consulte la sección <b>Mantenimiento de boquilla</b> .
	La bomba no está cebada.	Permita por lo menos 30 segundos para que la bomba se cebe.
La bomba no se ceba completamente.	El nivel de líquido en el tanque es bajo.	Agregue líquido al tanque. Consulte la sección <b>Llenado del rociador</b> .
	Hay un residuo o acumulación de químico en el tanque y/o la bomba debido a la limpieza incorrecta o inadecuada.	Limpie el rociador. Consulte la sección <b>Limpieza</b> . Si es necesario, repita el proceso con agua tibia y una mezcla de detergente suave. Deje la mezcla en la bomba hasta 1 hora antes de enjuagar. Reemplace la bomba si es necesario.
	El filtro del tanque está mal instalado, falta o está dañado, lo que permite la entrada de residuos en la bomba.	Limpie el rociador. Consulte la sección <b>Limpieza</b> . Si es necesario, repita el proceso con agua tibia y una mezcla de detergente suave. Deje la mezcla en la bomba hasta 1 hora antes de enjuagar. Reemplace la bomba si es necesario.
	El paquete de batería no tiene suficiente energía.	Cargue la batería. Consulte el manual de <b>Baterías y cargadores</b> separado.
La manguera tiene fugas en la conexión del tanque.	La manguera está agrietada, hinchada o defectuosa.	Reemplace el ensamble de cierre.
	La conexión está dañada.	Reemplace el ensamble de cierre.
La manguera tiene fugas en el ensamble de cierre.	La manguera está agrietada, hinchada o defectuosa.	Reemplace el ensamble de cierre.
	La conexión está dañada.	Reemplace el ensamble de cierre.
	La boquilla gotea al soltar la palanca de cierre.	Hay suciedad o residuos en la palanca de cierre.
La punta de la boquilla tiene fugas.	Hay un anillo O o sello dañado en el ensamble de cierre.	Reemplace el ensamble de cierre.
	Falta el sello plano.	Instale el sello plano detrás de la punta de la boquilla. Consulte la sección <b>Conexión de boquilla</b> .
El pulverizador se apaga bruscamente.	El sello plano está dañado.	Reemplace el sello plano.
	El paquete de batería ha alcanzado su límite térmico máximo.	Permita que el paquete de batería se enfríe.
El paquete de batería no se carga.	La batería no tiene carga. Para maximizar la vida de la batería, está diseñada para apagarse repentinamente cuando se agote la carga.	Coloque la batería en el cargador y deje que se cargue.
	El paquete de batería no está insertado en el cargador.	Inserte el paquete de batería en el cargador hasta que se encienda la luz roja (carga).
La batería no carga.	El cargador no está conectado.	Conecte el cargador a un tomacorriente que funcione.
	La temperatura ambiente es demasiado alta o demasiado baja.	Coloque el paquete de batería en un lugar con una temperatura ambiente superior a 40 °F (4,5 °C) o inferior a 104 °F (40 °C).
	No hay luces encendidas en el cargador (no está conectado al tomacorriente).	Conecte el cargador al tomacorriente.
La batería no carga.	No hay luces encendidas en el cargador (conectado al tomacorriente).	Verifique que el tomacorriente funcione.
	No hay luces encendidas en el cargador (está conectado al tomacorriente, el tomacorriente funciona).	Reemplace el cargador.
	No hay luces encendidas en el cargador (está conectado al tomacorriente, el tomacorriente funciona, batería nueva/en funcionamiento insertada en el cargador).	Reemplace la batería.
	La luz roja del cargador parpadea, pero también hay una luz indicadora amarilla encendida (la temperatura de la batería es demasiado alta para una carga segura).	Deje que la batería se enfríe.

## PRODUCTOS QUÍMICOS COMPATIBLES

**▲ AVISO:** Compatible únicamente con las marcas más comunes de compuestos de curado, desmoldantes y limpiadores de concreto. Consulte la lista de productos químicos compatibles. Para preguntas adicionales sobre compatibilidad química, comuníquese con DEWALT Industrial Tool Co. al 1-800-4-DEWALT (1-800-433-9258).

**▲ AVISO:** Rociador no compatible con pesticidas y herbicidas

**▲ PELIGRO:** Peligro de explosión. Utilice únicamente fluido de curado desmoldante con un punto de inflamación superior a 140 °F (60 °C). Consulte la etiqueta del contenedor o la Hoja de Datos de Seguridad del Material (MSDS) del fluido.

**▲ ADVERTENCIA:** Para cualquier producto químico utilizado, el usuario debe leer y seguir la hoja de datos de seguridad (MSDS) y seguir todas las instrucciones del envase. Para obtener la MSDS, contacte al fabricante del producto químico o visite su sitio web.

QUÍMICO	TIPO	FABRICANTE
Evapre™	Retardante de evaporación	wrmeadows.com
1100	Curado disipador	wrmeadows.com
1150-Clear	Curado disipador WB	wrmeadows.com
1600-White	Curado pigmentado blanco	wrmeadows.com
Kurez Dr Vox™	Curado disipador	euclidchemical.com
Kurez VoX™ Pigmentado blanco	Curado pigmentado blanco	euclidchemical.com
EucoBar	Retardante de evaporación	euclidchemical.com
Formula F	Retardante de superficie	euclidchemical.com
AquaFilm Concentrado J74	Retardante de evaporación	daytonsuperior.com
Citrus Cleaner J-48	Limpiador cítrico	daytonsuperior.com
City White Cure J-8	Curado pigmentado blanco	daytonsuperior.com
Clean Strip J100 VOC	Desmoldante	daytonsuperior.com
FormShield Pure	Desmoldante	euclidchemical.com
SpecStrip VOC 100	Desmoldante	specchem.com
Duogard Citrus	Desmoldante	wrmeadows.com
L&M Debond	Desmoldante	laticrete.com
SureForm	Desmoldante	kaufmanproducts.net

EVAPRE™: EVAPRE™ es una marca comercial de W.R. Meadows, Inc., que no ha respaldado, aprobado ni patrocinado este producto.

Kurez Dr Vox™: KUREZ DR VOX™ es una marca comercial de The Euclid Chemical Co., que no ha respaldado, aprobado ni patrocinado este producto.

Kurez VoX™ White Pigmented: KUREZ VOX™ es una marca comercial de The Euclid Chemical Co., que no ha respaldado, aprobado ni patrocinado este producto.

**Compatible battery packs and chargers / Blocs-piles et chargeurs compatibles /  
Baterías y cargadores compatibles**

Battery Packs Blocos-piles Baterías	DCB201, DCB203, DCB203G, DCB204, DCB204BT, DCB205, DCB205G, DCB205BT, DCB206, DCB208, DCB210, DCB230, DCB240, DCBP034, DCBP034G, DCB2104, DCB2108, DCBP320, DCBP520, DCBP520G, DCB606, DCB609, DCB609G, DCB612, DCB615
Chargers Chargeurs Cargadores	DCB094, DCB102, DCB103, DCB104, DCB107, DCB112, DCB113, DCB115, DCB118, DCB132, DCB1102, DCB1104, DCB1106, DCB1112, DWST08050

**▲ WARNING:** Use of any other battery packs may create a risk of injury and fire.

**▲ AVERTISSEMENT :** utiliser d'autres blocs-piles peut créer un risque de blessure ou d'incendie.

**▲ ADVERTENCIA:** El uso de cualquier otro paquete de batería puede crear un riesgo de lesiones e incendio.

**NOTE:** DO NOT charge when the battery pack is below 40 ° F (4.5 ° C) or above 104 ° F (40 ° C). Do not store or use the tool and battery pack in locations where the temperature may reach or exceed 104 ° F (40 ° C).

**REMARQUE :** NE PAS charger lorsque le bloc-piles est en dessous de 4,5 ° C (40 ° F) ou au-dessus de 40 ° C (104 ° F). Ne pas entreposer ou utiliser l'outil et le bloc-piles dans des endroits où la température peut atteindre ou excéder 40 ° C (104 ° F).

**NOTA:** NO cargue cuando el paquete de batería esté debajo de 4,5 ° C (40 ° F), o arriba de 40 ° C (104 ° F). No almacene ni use la herramienta y el paquete de baterías en lugares donde la temperatura pueda alcanzar o exceder los 40 ° C (104 ° F).

*\* Maximum initial battery voltage (measured without a workload) is 20, 60 or 120 volts. Nominal voltage is 18, 54 or 108. (120V Max\* is based on using 2 DeWALT 60V Max\* lithium-ion batteries combined.)*

*\* La tension initiale maximum du bloc-piles (mesurée à vide) est de 20, 60 ou 120 volts. La tension nominale est de 18, 54 ou 108. (120V max\* se base sur l'utilisation combinée de 2 blocs-piles au lithium ion DeWALT de 60V max\*.)*

*\* El máximo voltaje inicial de la batería (medido sin carga de trabajo) es 20, 60 o 120 voltios. El voltaje nominal es de 18, 54 o 108V. (120V Máx\* se basan en el uso de 2 baterías de iones de litio DeWALT de 60V Máx\* combinadas.)*

DEWALT Industrial Tool Co., 701 East Joppa Road, Towson, MD 21286  
Copyright © 2025

The following are trademarks for one or more DEWALT power tools: the yellow and black color scheme, the "D" shaped air intake grill, the array of pyramids on the handgrip, the kit box configuration, and the array of lozenge-shaped humps on the surface of the tool.