

If you have questions or comments, contact us.
 Pour toute question ou tout commentaire, nous contacter.
 Si tiene dudas o comentarios, contáctenos.

1-800-4-DEWALT • www.dewalt.com

INSTRUCTIVO DE OPERACIÓN, CENTROS DE SERVICIO Y PÓLIZA DE GARANTÍA. ADVERTENCIA: LEASE ESTE INSTRUCTIVO ANTES DE USAR EL PRODUCTO.

INSTRUCTION MANUAL
 GUIDE D'UTILISATION
 MANUAL DE INSTRUCCIONES

DEWALT®

DC228
Heavy-Duty 28V Cordless Rotary Hammer
 Perceuse à percussion haute résistance sans fil 28 V
 Rotomartillo inalámbrico de 28 V para trabajo pesado

DC233
Heavy-Duty 36V Cordless Rotary Hammer
 Perceuse à percussion haute résistance sans fil 36 V
 Rotomartillo inalámbrico de 36 V para trabajo pesado

DEWALT Industrial Tool Co., 701 Joppa Road, Baltimore, MD 21286
 (JUN07) Form No. 576725-11 DC228, DC233 Copyright © 2006, 2007 DEWALT

The following are trademarks for one or more DEWALT power tools: the yellow and black color scheme; the "D" shaped air intake grill; the array of pyramids on the handgrip; the kit box configuration; and the array of lozenge-shaped humps on the surface of the tool.

IF YOU HAVE ANY QUESTIONS OR COMMENTS ABOUT THIS OR ANY DEWALT TOOL, CALL US TOLL FREE AT: 1-800-4-DEWALT (1-800-433-9258)

General Safety Rules – For All Battery Operated Tools

⚠ WARNING! Read all instructions. Failure to follow all instructions listed below may result in electric shock, fire and/or serious injury. The term "power tool" in all of the warnings listed below refers to your mains-operated (corded) power tool or battery-operated (cordless) power tool.

SAVE THESE INSTRUCTIONS

1) WORK AREA SAFETY

- Keep work area clean and well lit. Cluttered or dark areas invite accidents.
- Do not operate power tools in explosive atmospheres, such as in the presence of flammable liquids, gases or dust. Power tools create sparks which may ignite the dust or fumes.
- Keep children and bystanders away while operating a power tool. Distractions can cause you to lose control.

2) ELECTRICAL SAFETY

- Power tool plugs must match the outlet. Never modify the plug in any way. Do not use any adapter plugs with earthed (grounded) power tools. Unmodified plugs and matching outlets will reduce risk of electric shock
- Avoid body contact with earthed or grounded surfaces such as pipes, radiators, ranges and refrigerators. There is an increased risk of electric shock if your body is earthed or grounded.
- Do not expose power tools to rain or wet conditions. Water entering a power tool will increase the risk of electric shock
- Do not abuse the cord. Never use the cord for carrying, pulling or unplugging the power tool. Keep cord away from heat, oil, sharp edges or moving parts. Damaged or entangled cords increase the risk of electric shock. Replace or repair damaged cords. Make sure your extension cord is in good condition. Use only 3-wire extension cords that have 3-prong grounding-type plugs and 3-pole receptacles that accept the tool's plug.
- When operating a power tool outdoors, use an extension cord suitable for outdoor use. Use of a cord suitable for outdoor use reduces the risk of electric shock. When using an extension cord, be sure to use one heavy enough to carry the current your product will draw. An undersized cord will cause a drop in line voltage resulting in loss of power and overheating. The following table shows the correct size to use depending on cord length and nameplate ampere rating. If in doubt, use the next heavier gauge. The smaller the gauge number, the heavier the cord.

Recommended Minimum Wire Size for Extension Cords

Total Length of Cord		75 ft.	100 ft.	125 ft.	150 ft.	175 ft.
25 ft.	50 ft.	75 ft.	100 ft.	125 ft.	150 ft.	175 ft.
7.6 m	15.2 m	22.9 m	30.5 m	38.1 m	45.7 m	53.3 m
Wire Size AWG						
18	18	16	16	14	14	12

3) PERSONAL SAFETY

- Stay alert, watch what you are doing and use common sense when operating a power tool. Do not use a power tool while you are tired or under the influence of drugs, alcohol or medication. A moment of inattention while operating power tools may result in serious personal injury.
- Use safety equipment. Always wear eye protection. Safety equipment such as dust mask, non-skid safety shoes, hard hat, or hearing protection used for appropriate conditions will reduce personal injuries.
- Avoid accidental starting. Ensure the switch is in the off-position before plugging in. Carrying power tools with your finger on the switch or plugging in power tools that have the switch on invites accidents.
- Remove any adjusting key or wrench before turning the power tool on. A wrench or a key left attached to a rotating part of the power tool may result in personal injury.
- Do not overreach. Keep proper footing and balance at all times. This enables better control of the power tool in unexpected situations.
- Dress properly. Do not wear loose clothing or jewellery. Keep your hair, clothing and gloves away from moving parts. Loose clothes, jewellery or long hair can be caught in moving parts. Air vents often cover moving parts and should also be avoided.
- If devices are provided for the connection of dust extraction and collection facilities, ensure these are connected and properly used. Use of these devices can reduce dust-related hazards.

4) POWER TOOL USE AND CARE

- Do not force the power tool. Use the correct power tool for your application. The correct power tool will do the job better and safer at the rate for which it was designed.
- Do not use the power tool if the switch does not turn it on and off. Any power tool that cannot be controlled with the switch is dangerous and must be repaired.
- Disconnect the plug from the power source and/or the battery pack from the power tool before making any adjustments, changing accessories, or storing power tools. Such preventive safety measures reduce the risk of starting the power tool accidentally.
- Store idle power tools out of the reach of children and do not allow persons unfamiliar with the power tool or these instructions to operate the power tool. Power tools are dangerous in the hands of untrained users.
- Maintain power tools. Check for misalignment or binding of moving parts, breakage of parts and any other condition that may affect the power tools operation. If damaged, have the power tool repaired before use. Many accidents are caused by poorly maintained power tools.
- Keep cutting tools sharp and clean. Properly maintained cutting tools with sharp cutting edges are less likely to bind and are easier to control.
- Use the power tool, accessories and tool bits etc., in accordance with these instructions and in the manner intended for the particular type of power tool, taking into account the working conditions and the work to be performed. Use of the power tool for operations different from those intended could result in a hazardous situation.

5) BATTERY TOOL USE AND CARE

- Ensure the switch is in the off position before inserting battery pack. Inserting the battery pack into power tools that have the switch on invites accidents.
- Recharge only with the charger specified by the manufacturer. A charger that is suitable for one type of battery pack may create a risk of fire when used with another battery pack.
- Use power tools only with specifically designated battery packs. Use of any other battery packs may create a risk of injury and fire.
- When battery pack is not in use, keep it away from other metal objects like paper clips, coins, keys, nails, screws, or other small metal objects that can make a

connection from one terminal to another. Shorting the battery terminals together may cause burns or a fire.

- Under abusive conditions, liquid may be ejected from the battery, avoid contact. If contact accidentally occurs, flush with water. If liquid contacts eyes, additionally seek medical help. Liquid ejected from the battery may cause irritation or burns.

6) SERVICE

- Have your power tool serviced by a qualified repair person using only identical replacement parts. This will ensure that the safety of the power tool is maintained.

Additional Safety Instructions for Rotary Hammers

- Hold power tools by insulated gripping surfaces when performing an operation where the cutting tool may contact hidden wiring or its own cord. Contact with a "live" wire will make exposed metal parts of the tool "live" and shock the operator. Be certain that the material being drilled does not conceal electric or gas service and that their locations have been verified with the utility companies.
- Wear ear protectors. Exposure to noise can cause hearing loss.
- Use auxiliary handles supplied with the tool. Loss of control can cause personal injury. Keep a firm grip on the tool at all times. Do not attempt to operate this tool without holding it with both hands. Operating this tool with one hand will result in loss of control. Breaking through or encountering hard materials such as re-bar may be hazardous as well. Tighten the side handle securely before use.
- Use clamps or other practical way to secure and support the workpiece to a stable platform. Holding the work by hand or against your body is unstable and may lead to loss of control.
- Wear safety goggles or other eye protection. Hammering operations cause chips to fly. Flying particles can cause permanent eye damage. Wear a dust mask or respirator for applications that generate dust. Ear protection may be required for most applications.
- Keep a firm grip on the tool at all times. Do not attempt to operate this tool without holding it with both hands. It is recommended that the side handle be used at all times. Operating this tool with one hand will result in loss of control. Breaking through or encountering hard materials such as re-bar may be hazardous as well.
- Do not operate this tool for long periods of time. Vibration caused by hammer action may be harmful to your hands and arms. Use gloves to provide extra cushion and limit exposure by taking frequent rest periods.
- Do not recondition bits yourself. Chisel reconditioning should be done by an authorized specialist. Improperly reconditioned chisels could cause injury.
- Wear gloves when operating tool or changing bits. Accessible metal parts on the tool and bits may get extremely hot during operation. Small bits of broken material may damage bare hands.
- Never lay the tool down until the bit has come to a complete stop. Moving bits could cause injury.
- Do not strike jammed bits with a hammer to dislodge them. Fragments of metal or material chips could dislodge and cause injury.
- Slightly worn chisels can be resharpened by grinding.
- Keep the power cord away from the rotating bit. Do not wrap the cord around any part of your body. An electric cord wrapped around a spinning bit may cause personal injury and loss of control.

NOTE: Do not overheat the bit (discoloration) while grinding a new edge. Badly worn chisels require reformatting. Do not reharden and temper the chisel.

⚠ WARNING: ALWAYS use safety glasses. Everyday eyeglasses are NOT safety glasses. Also use face or dust mask if cutting operation is dusty. ALWAYS WEAR CERTIFIED SAFETY EQUIPMENT:

- ANSI Z87.1 eye protection (CAN/CSA Z94.3)
- ANSI S12.6 (S3.19) hearing protection
- NIOSH/OSHA/MSHA respiratory protection.

⚠ WARNING: Some dust created by power sanding, sawing, grinding, drilling, and other construction activities contains chemicals known to cause cancer, birth defects or other reproductive harm. Some examples of these chemicals are:

- lead from lead-based paints,
- crystalline silica from bricks and cement and other masonry products, and
- arsenic and chromium from chemically-treated lumber.

Your risk from these exposures varies, depending on how often you do this type of work. To reduce your exposure to these chemicals: work in a well ventilated area, and work with approved safety equipment, such as those dust masks that are specially designed to filter out microscopic particles.

- Avoid prolonged contact with dust from power sanding, sawing, grinding, drilling, and other construction activities. Wear protective clothing and wash exposed areas with soap and water. Allowing dust to get into your mouth, eyes, or lay on the skin may promote absorption of harmful chemicals.

⚠ WARNING: Use of this tool can generate and/or disburse dust, which may cause serious and permanent respiratory or other injury. Always use NIOSH/OSHA approved respiratory protection appropriate for the dust exposure. Direct particles away from face and body.

⚠ WARNING: Always use eye protection. All users and bystanders must wear eye protection that conforms to ANSI Z87.1.

⚠ WARNING: Always wear proper personal hearing protection that conforms to ANSI S12.6 (S3.19) during use. Under some conditions and duration of use, noise from this product may contribute to hearing loss.

⚠ CAUTION: When not in use, place tool on its side on a stable surface where it will not cause a tripping or falling hazard. Some tools with large battery packs will stand upright on the battery pack but may be easily knocked over.

- The label on your tool may include the following symbols. The symbols and their definitions are as follows:

V..... volts	Aamperes
Hz..... hertz	W watts
min minutes	~alternating current
==== direct current	no load speed
Ⓜ Class I Construction	Ⓧ earthing terminal
(grounded)	⚠safety alert symbol
Ⓜ Class II Construction	.../min revolutions or reciprocation
(double insulated)	per minute
BPM beats per minute	

Important Safety Instructions for Battery Chargers

SAVE THESE INSTRUCTIONS: This manual contains important safety instructions for battery chargers.

- Before using charger, read all instructions and cautionary markings on charger, battery pack, and product using battery pack.
- ⚠ WARNING:** Shock hazard. Do not allow any liquid to get inside charger.
- ⚠ CAUTION:** Burn hazard. To reduce the risk of injury, charge only DEWALT batteries. Other types of batteries may burst causing personal injury and damage.
- ⚠ CAUTION:** Under certain conditions, with the charger plugged in to the power supply, the charger can be shorted by foreign material. Foreign materials of a conductive nature such as, but not limited to, steel wool, aluminum foil, or any buildup of metallic particles should be kept away from charger cavities. Always unplug the charger from the power supply when there is no battery pack in the cavity. Unplug charger before attempting to clean.
- DO NOT attempt to charge the battery pack with any chargers other than the ones in this manual. The charger and battery pack are specifically designed to work together.
- These chargers are not intended for any uses other than charging DEWALT rechargeable batteries. Any other uses may result in risk of fire, electric shock or electrocution.
- Do not expose charger to rain or snow.
- Pull by plug rather than cord when disconnecting charger. This will reduce risk of damage to electric plug and cord.
- Make sure that cord is located so that it will not be stepped on, tripped over, or otherwise subjected to damage or stress.
- Do not use an extension cord unless it is absolutely necessary. Use of improper extension cord could result in risk of fire, electric shock, or electrocution.
- An extension cord must have adequate wire size (AWG or American Wire Gauge) for safety. The smaller the gauge number of the wire, the greater the capacity of the cable, that is 16 gauge has more capacity than 18 gauge. When using more than one extension to make up the total length, be sure each individual extension contains at least the minimum wire size.
- Do not place any object on top of charger or place the charger on a soft surface that might block the ventilation slots and result in excessive internal heat. Place the charger in a position away from any heat source. The charger is ventilated through slots in the top and the bottom of the housing.
- Do not mount charger on wall or permanently affix charger to any surface. The charger is intended to use on a flat, stable surface (i.e., table top, bench top).
- Do not operate charger with damaged cord or plug — have them replaced immediately.
- Do not operate charger if it has received a sharp blow, been dropped, or otherwise damaged in any way. Take it to an authorized service center.
- Do not disassemble charger; take it to an authorized service center when service or repair is required. Incorrect reassembly may result in a risk of electric shock, electrocution or fire.
- Disconnect the charger from the outlet before attempting any cleaning. This will reduce the risk of electric shock. Removing the battery pack will not reduce this risk.
- NEVER attempt to connect 2 chargers together.
- The charger is designed to operate on standard household electrical power (120 Volts). Do not attempt to use it on any other voltage.

SAVE THESE INSTRUCTIONS

Introduction

The DC9000 charger is designed to charge DEWALT battery packs in approximately 1 hour. This charger requires no adjustment and is designed to be as easy as possible to operate. Simply place your battery pack into the receptacle of a plugged in charger and it will automatically charge the pack.

Important Safety Instruction for Battery Packs

⚠ WARNING: For safe operation, read this manual and manuals originally supplied with tool before using the charger.

When ordering replacement battery packs, be sure to include catalog number and voltage. Consult the chart on the last page of this manual for compatibility of chargers and battery packs.

The battery pack is not fully charged out of the carton. Before using the battery pack and charger, read the safety instructions below. Then follow charging procedures outlined.

READ ALL INSTRUCTIONS

- **Do not incinerate the battery pack even if it is severely damaged or is completely worn out.** The battery pack can explode in a fire. Toxic fumes and materials are created when lithium ion battery packs are burned.
- **Do not charge or use battery in explosive atmospheres, such as in the presence of flammable liquids, gases or dust.** Inserting or removing the battery from the charger may ignite the dust or fumes.
- **If battery contents come into contact with the skin, immediately wash area with mild soap and water.** If battery liquid gets into the eye, rinse water over the open eye for 15 minutes or until irritation ceases. If medical attention is needed, the battery electrolyte is composed of a mixture of liquid organic carbonates and lithium salts.
- **Contents of opened battery cells may cause respiratory irritation.** Provide fresh air. If symptoms persists, seek medical attention

▲ **WARNING:** Burn hazard. Battery liquid may be flammable if exposed to spark or flame.

- Charge the battery packs only in DEWALT chargers.
- **DO NOT** splash or immerse in water or other liquids.

• **Do not store or use the tool and battery pack in locations where the temperature may reach or exceed 105°F (40°) (such as outside sheds or metal buildings in summer).**

▲ **WARNING:** Never attempt to open the battery pack for any reason. If battery pack case is cracked or damaged, do not insert into charger. Do not crush, drop or damage battery pack. Do not use a battery pack or charger that has received a sharp blow, been dropped, run over or damaged in any way (i.e., pierced with a nail, hit with a hammer, stepped on). Damaged battery packs should be returned to service center for recycling.

▲ **WARNING: Fire hazard. Do not store or carry battery so that metal objects can contact exposed battery terminals.** For example, do not place battery in aprons, pockets, tool boxes, product kit boxes, drawers, etc., with loose nails, screws, keys, etc. **Transporting batteries can possibly cause fires if the battery terminals inadvertently come in contact with conductive materials such as keys, coins, hand tools and the like.** The US Department of Transportation Hazardous Material Regulations (HMR) actually prohibit transporting batteries in commerce or on airplanes (i.e., packed in suitcases and carry-on luggage) UNLESS they are properly protected from short circuits. So when transporting individual batteries, make sure that the battery terminals are protected and well insulated from materials that could contact them and cause a short circuit.

The RBRC™ Seal

The RBRC™ (Rechargeable Battery Recycling Corporation) Seal on the lithium ion battery (or battery pack) indicates that the costs to recycle the battery (or battery pack) at the end of its useful life have already been paid by DEWALT.



RBRC™ in cooperation with DEWALT and other battery users, has established programs in the United States to facilitate the collection of spent lithium ion batteries. Help protect our environment and conserve natural resources by returning the spent lithium ion battery to an authorized DEWALT service center or to your local retailer for recycling. You may also contact your local recycling center for information on where to drop off the spent battery.

RBRC™ is a registered trademark of the Rechargeable Battery Recycling Corporation.

Storage Recommendations

1. The best storage place is one that is cool and dry away from direct sunlight and excess heat or cold.
2. Long storage will not harm the battery pack or charger. Under proper conditions, they can be stored for 5 years or more.

Charger

Your battery pack requires a 1 hour DEWALT charger. Be sure to read all safety instructions before using your charger. Consult the chart on the back of this manual for compatibility of chargers and battery packs.

Charging Procedure

1. Plug the charger into an appropriate outlet before inserting the battery pack.
2. Insert the battery pack into the charger. The charger is equipped with a three-light fuel gauge that will blink according to the state of charge of the battery pack.
3. The completion of charge is indicated by the three red lights remaining ON continuously. The pack is fully charged and may be used at this time or left on the charger.

	0% - 33%	1 st light blinks
	33% - 66%	1 st light on, 2 nd light blinks
	66% - 99%	1 st , 2 nd lights on, 3 rd light blinks
	100%	1 st , 2 nd , 3 rd lights on

Charger Diagnostics

This charger is designed to detect certain problems that can arise with the battery packs or the charger. Problems are indicated by the three red lights flashing together in different patterns.

PROBLEM POWERLINE

When the charger is used with some portable power sources such as generators or sources that convert DC to AC, the charger may temporarily suspend operation. The three red lights will flash together with **two fast blinks followed by a pause**. This indicates that the power source is out of limits.

BAD BATTERY

The charger can detect a weak or damaged battery. The three red lights will flash together with **rapid blinking**. The battery will no longer charge and should be returned to a service center or a collection site for recycling.

BAD CHARGER

The charger will detect if it is not functioning properly. The three red lights will flash together with **one fast blink followed by a long blink**. The charger will no longer work and should be returned to an authorized service center or replaced.

LEAVING THE BATTERY IN THE CHARGER

The charger and battery pack can be left connected with the red lights glowing indefinitely. The charger will keep the battery pack fresh and fully charged. This charger features an automatic tune-up mode which equals or balances the individual cells in the battery pack to allow it to function at peak capacity. Battery packs should be tuned up weekly or whenever the battery no longer delivers the same amount of work. To use the automatic tune-up mode, place the battery pack in the charger and leave it for at least 8 hours.

Important Charging Notes

1. Longest life and best performance can be obtained if the battery pack is charged when the air temperature is between 65°F and 75°F (18°- 24°C). DO NOT charge the battery pack in an air temperature below +40°F (+4.5°C), or above +105°F (+40.5°C). This is important and will prevent serious damage to the battery pack.
2. The charger and battery pack may become warm to touch while charging. This is a normal condition, and does not indicate a problem. To facilitate the cooling of the battery pack after use, avoid placing the charger or battery pack in a warm environment such as in a metal shed, or an uninsulated trailer.
3. If the battery pack does not charge properly:
 - a. Check current at receptacle by plugging in a lamp or other appliance
 - b. Check to see if receptacle is connected to a light switch which turns power off when you turn out the lights.
 - c. Move charger and battery pack to a location where the surrounding air temperature is approximately 65°F - 75°F (18°- 24°C).
 - d. If charging problems persist, take the tool, battery pack and charger to your local service center.
4. The battery pack should be recharged when it fails to produce sufficient power on jobs which were easily done previously. DO NOT CONTINUE to use under these conditions. Follow the charging procedure. You may also charge a partially used pack whenever you desire with no adverse affect on the battery pack.
5. Foreign materials of a conductive nature such as, but not limited to, steel wool, aluminum foil, or any buildup of metallic particles should be kept away from charger cavities. Always unplug the charger from the power supply when there is no battery pack in the cavity. Unplug charger before attempting to clean.
6. Do not freeze or immerse charger in water or any other liquid.

▲ **WARNING:** Shock hazard. Do not allow any liquid to get inside charger.

▲ **CAUTION:** Never attempt to open the battery pack for any reason. If the plastic housing of the battery pack breaks or cracks, return to a service center for recycling.

Motor

Your DEWALT tool is powered by a DEWALT-built motor. Be sure your power supply agrees with the nameplate markings.

Voltage decrease of more than 10% will cause loss of power and overheating. All DEWALT tools are factory tested; if this tool does not operate, check your battery pack.

COMPONENTS (Fig. 1)

- A. Side handle
- B. Trigger switch
- C. Forward/reverse control button (Lock-off button)
- D. Mode selector
- E. Main handle

Side Handle (Fig. 1)

▲ **CAUTION:** Always operate the tool with the side handle properly assembled. Hold tool with both hands to maximize control.

The side handle clamps to the front barrel (collar) and may be rotated 360° to permit right- or left-hand use. Tighten the side handle by rotating the black plastic portion of the side handle clockwise. Side handle must be tightened sufficiently to resist the twisting action of the tool if the accessory binds or stalls. Be sure to grip the side handle at the far end to control the tool during a stall. To loosen side handle, rotate counterclockwise.

Switch (Fig. 1)

To turn the tool on, squeeze the trigger switch (B). To turn the tool off, release the trigger switch. Your tool is equipped with a brake. The chuck will stop as soon as the trigger switch is fully released.

VARIABLE SPEED SWITCH

The variable speed switch enables you to select the best speed for a particular application. The farther you squeeze the trigger, the faster the tool will operate. For maximum tool life, use variable speed only for starting holes or fasteners.

NOTE: Continuous use in variable speed range is not recommended. It may damage the switch and should be avoided.

FIG. 1

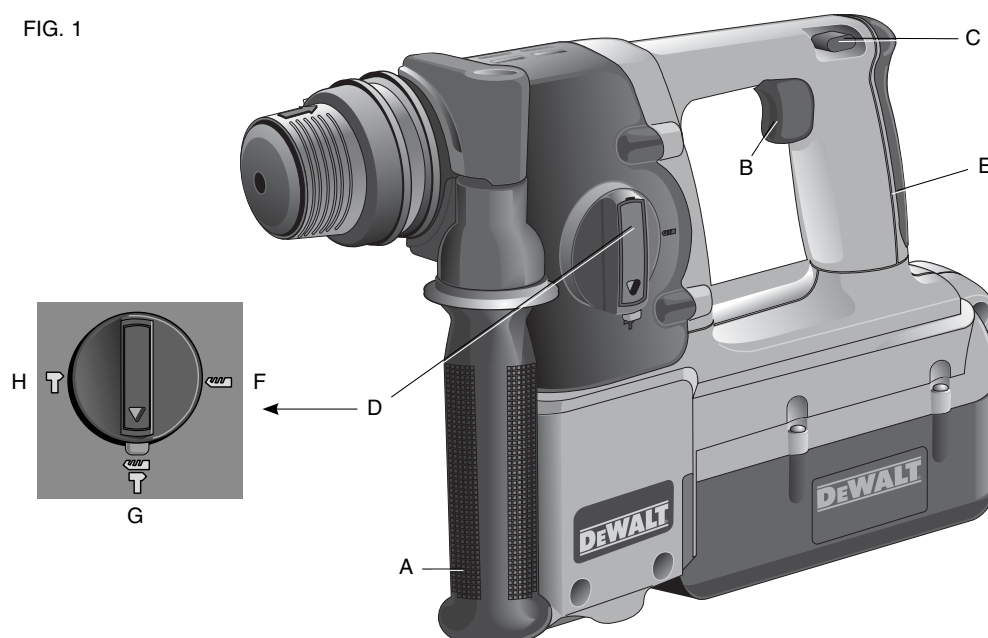


FIG. 2

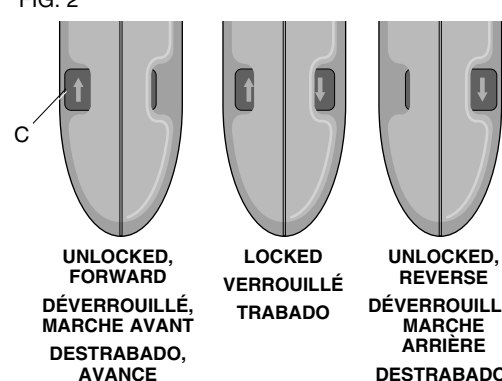


FIG. 3

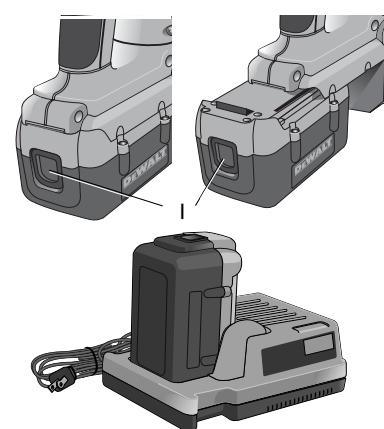
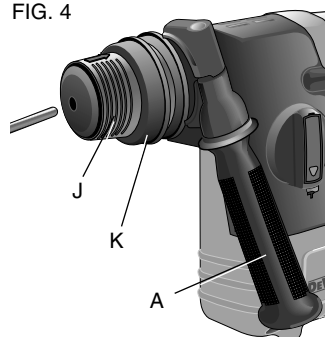


FIG. 4



Mode Selector (Fig. 1)

▲ **CAUTION:** Never change the mode while the unit is running.

For straight drilling, rotate the mode selector (D) until the arrow points to the drill bit symbol (F). For rotary hammer, align the arrow with the hammer symbol (G). For chipping mode align arrow with the chipping symbol (H).

NOTE: The mode selector (D) must be in drill, hammer or chipping mode at all times. There are no operable positions in between.

Forward/Reverse Control Button (Fig. 2)

A forward/reverse control button (C) determines the direction and also serves as a lock-off button.

To select forward rotation, release the trigger switch (B) and depress the forward/reverse control button on the right side of the tool.

To select reverse, depress the forward/reverse control button on the left side of the tool.

The center position of the control button locks the tool in the off position. When changing the position of the control button, be sure the trigger is released.

NOTE: The first time the tool is run after changing the direction of rotation, you may hear a click on start up. This is normal and does not indicate a problem.

OPERATION

▲ **WARNING:** To reduce the risk of serious personal injury, turn tool off and disconnect tool from battery pack before making any adjustments or removing/installing attachments or accessories.

Installing and Removing the Battery Pack (Fig. 3)

NOTE: Make sure your battery pack is fully charged.

▲ **CAUTION:** Make certain the switch lock-off button (C) is engaged to prevent switch actuation before removing or installing battery.

To install the battery pack into the tool handle, align the rails inside the tool's handle with the battery pack and slide the battery pack firmly into the handle until you hear the lock snap into place.

To remove the battery pack from the tool, press the release button (I) and firmly pull the battery pack out of the tool handle. Insert it into the charger as described in the charger section of this manual.

NOTE: Operating temperature of this tool is 19° to 104° F (-7 to +40° C). Using the tool outside of this temperature range will decrease the life of the tool.

SHOCKS™ – Active Vibration Control

For best vibration control, hold the tool with one hand on the main handle (E) and the other hand on the side handle (A). Apply just enough pressure so the hammer is approximately mid-stroke. The hammer only needs enough pressure to engage the internal active vibration control. Applying too much pressure will not make the tool drill faster and active vibration control will not engage.

SDS Chuck (Fig. 4)

▲ **WARNING:** To reduce the risk of serious personal injury, turn tool off and disconnect tool from battery pack before making any adjustments or removing/installing attachments or accessories.

CAUTION: Do not use chipping bits in this tool. Using chipping bits may cause the tool to bind-up and damage to the tool may occur.

To insert bit, insert shank of bit about 3/4" into chuck (J) . Push and rotate bit until it locks in place. The bit will be securely held.

To release bit, pull the sleeve (K) back and remove the bit.

Drilling

▲ **WARNING:** To reduce the risk of serious personal injury, turn tool off and disconnect tool from battery pack before making any adjustments or removing/installing attachments or accessories.

1. Use sharp drill bits only. For MASONRY, such as brick, cement, cinder block, etc., use carbide-tipped bits rated for percussion drilling. Be sure the material to be drilled is anchored or clamped firmly. If drilling thin material, use a wood "back-up" block to prevent damage to the material.
2. Always apply pressure in a straight line with the bit. Use enough pressure to keep drill biting, but do not push hard enough to stall the motor or deflect the bit.
3. Hold tool firmly with both hands to control the twisting action of the drill.
4. **IF DRILL STALLS,** it is usually because it is being overloaded or improperly used. **RELEASE TRIGGER IMMEDIATELY,** remove drill bit from work, and determine cause of stalling. **DO NOT CLICK TRIGGER ON AND OFF IN AN ATTEMPT TO START A STALLED DRILL — THIS CAN DAMAGE THE DRILL.**
5. Keep the motor running when pulling the bit back out of a drilled hole. This will help prevent jamming.
6. Use a slow speed to start the hole and accelerate by squeezing the trigger harder when the hole is deep enough to drill without the bit skipping out.

DRILLING IN MASONRY

When drilling in masonry, use carbide tipped bits rated for masonry drilling. Be certain that the bit is sharp. Ensure that the hammer mode is selected. Use a constant and firm force on the tool to drill most effectively. A smooth, even flow of dust indicates the proper drilling rate.

MAINTENANCE

▲ **WARNING:** To reduce the risk of serious personal injury, turn tool off and disconnect tool from battery pack before making any adjustments or removing/installing attachments or accessories.

Cleaning

▲ **WARNING:** Never use solvents or other harsh chemicals for cleaning the non-metallic parts of the tool. These chemicals may weaken the plastic materials used in these parts. Use a cloth dampened only with water and mild soap. Never let any liquid get inside the tool; never immerse any part of the tool into a liquid.

CHARGER CLEANING INSTRUCTIONS

▲ **WARNING:** Shock hazard. Disconnect the charger from the AC outlet before cleaning. Dirt and grease may be removed from the exterior of the charger using a cloth or soft non-metallic brush. Do not use water or any cleaning solutions.

Lubrication

Your tool was properly lubricated before leaving the factory. In from two to six months, depending upon use, take or send your tool to an authorized service center for a complete cleaning, inspection and lubrication. Tools used constantly on production jobs will need relubrication more often. Also, tools "out of service" for long periods should be relubricated before being put back to work.

Accessories

▲ **WARNING:** Since accessories, other than those offered by DEWALT, have not been tested with this product, use of such accessories with this tool could be hazardous. To reduce the risk of injury, only DEWALT, recommended accessories should be used with this product.

Recommended accessories for use with your tool are available at extra cost from your local dealer or authorized service center. If you need assistance in locating any accessory for your tool, please contact DEWALT Industrial Tool Co., 701 East Joppa Road, Baltimore, MD 21286, call 1-800-4-DEWALT (1-800-433-9258) or visit our website www.dewalt.com.

MAXIMUM RECOMMENDED CAPACITIES DC228, DC233

R.P.M.	0-1,150
B.P.M	0-4,400
BITS, MASONRY DRILLING	1" (2.54 cm)

Repairs

The charger is not user serviceable. There are no user serviceable parts inside the charger. Servicing at an authorized service center is required to avoid damage to static sensitive internal components.

To assure product SAFETY and RELIABILITY, repairs, maintenance and adjustments (including brush inspection and replacement) should be performed by a DEWALT factory service center, a DEWALT authorized service center or other qualified service personnel. Always use identical replacement parts.

Three Year Limited Warranty

DEWALT will repair, without charge, any defects due to faulty materials or workmanship for three years from the date of purchase. This warranty does not cover part failure due to normal wear or tool abuse. For further detail of warranty coverage and warranty repair information, visit www.dewalt.com or call 1-800-4-DEWALT (1-800-433-9258). This warranty does not apply to accessories or damage caused where repairs have been made or attempted by others. This warranty gives you specific legal rights and you may have other rights which vary in certain states or provinces.

In addition to the warranty, DEWALT tools are covered by our:

1 YEAR FREE SERVICE

DEWALT will maintain the tool and replace worn parts caused by normal use, for free, any time during the first year after purchase.

2 YEARS FREE SERVICE ON DEWALT BATTERY PACKS

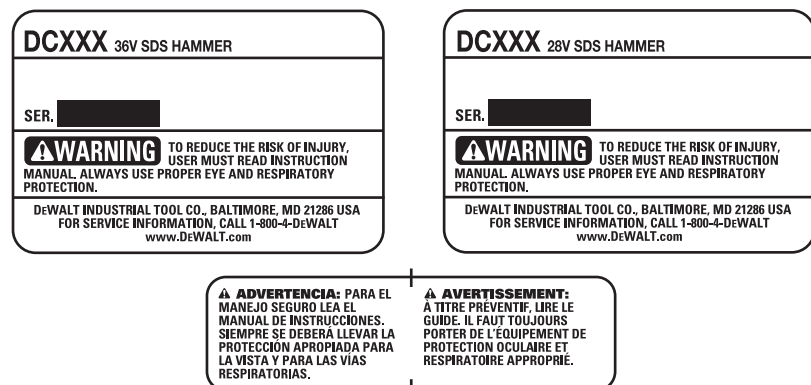
DC9096, DC9091, DC9071, DC9360 and DC9280

90 DAY MONEY BACK GUARANTEE

If you are not completely satisfied with the performance of your DEWALT Power Tool, Laser, or Nailer for any reason, you can return it within 90 days from the date of purchase with a receipt for a full refund – no questions asked.

LATIN AMERICA: This warranty does not apply to products sold in Latin America. For products sold in Latin America, see country specific warranty information contained either in the packaging, call the local company or see website for warranty information.

FREE WARNING LABEL REPLACEMENT: If your warning labels become illegible or are missing, call 1-800-4-DEWALT for a free replacement.



Patent Notification

Manufactured under one or more of the following U.S. patents:

6859013	6133713
6329788	6057608
6175211	6653815

Other patents pending.

SI VOUS AVEZ DES QUESTIONS OU VOULEZ NOUS FAIRE PART DE VOS COMMENTAIRES CONCERNANT CET OUTIL OU TOUT AUTRE OUTIL DEWALT, COMPOSEZ SANS FRAIS LE : 1 800 433-9258.

Règles générales de sécurité concernant les outils à piles

AVERTISSEMENT ! Lire toutes les directives. Tout manquement aux directives suivantes pose des risques de choc électrique, d'incendie et/ou de blessure grave. Le terme « outil électrique » dans tous les avertissements ci-après se rapporte à votre outil électrique à alimentation sur secteur (avec fil) ou par piles (sans fil).

CONSERVER CES DIRECTIVES

1) SÉCURITÉ - AIRE DE TRAVAIL

- Maintenir l'aire de travail propre et bien éclairée.** Les lieux encombrés ou sombres sont propices aux accidents.
- Ne pas faire fonctionner un outil électrique dans une atmosphère explosive, en présence par exemple de poussières, gaz ou liquides inflammables.** Les outils électriques peuvent engendrer des étincelles qui pourraient enflammer toute émanation ou poussière ambiante.
- Tenir les enfants, ou toute autre personne, éloignés pendant l'utilisation d'un outil électrique.** Toute distraction pourrait vous faire perdre la maîtrise de ce dernier.

2) SÉCURITÉ – ÉLECTRICITÉ

- La fiche électrique de l'outil doit correspondre à la prise murale. Ne jamais modifier la fiche en aucune façon. Ne jamais utiliser de fiche d'adaptation avec un outil électrique mis à la terre.** L'utilisation de fiches d'origine et de prises appropriées réduira les risques de choc électrique.
- Éviter tout contact corporel avec des éléments mis à la terre comme tuyaux, radiateurs, cuisinières ou réfrigérateurs.** Les risques de choc électrique augmentent lorsque le corps est mis à la terre.
- Ne pas exposer les outils électriques à la pluie ou à l'humidité.** Toute pénétration d'un outil électrique par un liquide augmente les risques de choc électrique.
- Ne pas utiliser le cordon de façon abusive. Ne jamais utiliser le cordon pour transporter, tirer ou débrancher un outil électrique. Protéger le cordon de la chaleur, de l'huile et de tout bord tranchant ou pièce mobile.** Les cordons endommagés ou emmêlés augmentent les risques de choc électrique. Remplacer ou faire réparer tout cordon endommagé. S'assurer que la rallonge est en bon état. N'utiliser que des rallonges trifilaires munies de fiches tripolaires et des prises tripolaires acceptant la fiche de l'outil.
- Lors de l'utilisation d'un outil électrique à l'extérieur, n'utiliser que des rallonges conçues pour l'extérieur.** L'utilisation d'une rallonge conçue pour l'extérieur réduit les risques de choc électrique. En cas d'utilisation d'une rallonge, s'assurer que les valeurs nominales de la rallonge utilisée correspondent bien à celles de l'outil alimenté. L'usage d'une rallonge de calibre insuffisant causera une chute de tension entraînant perte de puissance et surchauffe. Le tableau ci-dessous illustre les calibres à utiliser selon la longueur de rallonge et l'intensité nominale indiquée sur la plaque signalétique. En cas de doutes, utiliser le calibre suivant. Plus le calibre est petit, plus la rallonge peut supporter de courant.

Calibre de fil minimum recommandé pour les rallonges

Longueur totale de la rallonge						
25 pi	50 pi	75 pi	100 pi	125 pi	150 pi	175 pi
7,6 m	15,2 m	22,9 m	30,5 m	38,1 m	45,7 m	53,3 m
Calibre AWG						
18	18	16	16	14	14	12

3) SÉCURITÉ PERSONNELLE

- Rester vigilant en tout temps et faire preuve de jugement pendant l'utilisation d'un outil électrique. Ne pas utiliser d'outil électrique en cas de fatigue ou sous l'influence de drogues, d'alcool ou de médicaments.** Tout moment d'inattention pendant l'utilisation d'un outil électrique pose des risques de blessure grave.
- Utiliser le matériel de sécurité approprié. Toujours porter des lunettes de protection.** Le fait de porter une protection anti-poussières, des chaussures antidérapantes, un casque de sécurité ou des protecteurs auditifs lorsque la situation le requiert réduira les risques de blessure.
- Éviter tout démarrage accidentel. S'assurer que l'interrupteur est en position d'arrêt avant tout branchement.** Transporter un outil le doigt sur l'interrupteur ou brancher un outil électrique alors que l'interrupteur est en position de marche invite les accidents.
- Retirer toute clé de réglage avant de démarrer l'outil.** Une clé laissée sur une pièce rotative d'un outil électrique pose des risques de blessure.
- Ne pas effectuer de travaux hors de portée. Les pieds doivent rester bien ancrés au sol afin de maintenir son équilibre en tout temps.** Cela permet de mieux maîtriser l'outil électrique dans les situations imprévues.
- Porter des vêtements appropriés. Ne pas porter de vêtements amples ni de bijoux. Maintenir cheveux, vêtements et gants éloignés des pièces mobiles.** Vêtements amples, bijoux ou cheveux longs risquent de rester coincés dans ces pièces mobiles. Prendre des précautions autour des événements car ils recouvrent des pièces mobiles.
- Lorsqu'un dispositif de connexion à un système de dévissage ou d'élimination est fourni, s'assurer qu'il est connecté et utilisé correctement.** L'utilisation de ces dispositifs peut réduire les risques engendrés par les poussières.

4) UTILISATION ET ENTRETIEN DES OUTILS ÉLECTRIQUES

- Ne pas forcer un outil électrique. Utiliser l'outil approprié au travail en cours.** L'outil approprié effectuera un meilleur travail, de façon plus sûre et à la vitesse pour laquelle il a été conçu.
- Ne pas utiliser un outil électrique dont l'interrupteur est défectueux.** Tout appareil dont l'interrupteur est défectueux est dangereux et doit être réparé.
- Débrancher la fiche du secteur et/ou le bloc-piles de l'outil électrique avant de faire tout réglage ou changement d'accessoire, ou avant de ranger ce dernier.** Ces mesures préventives réduisent les risques de démarrage accidentel de l'appareil.

d) Après usage, ranger les outils électriques hors de la portée des enfants, et ne permettre à aucune personne n'étant pas familière avec un outil électrique (ou son manuel d'instruction) d'utiliser ce dernier. Les outils peuvent être dangereux entre les mains des novices.

e) Entretenir les outils électriques. Vérifier les pièces mobiles pour s'assurer qu'elles sont bien alignées et tournent librement, qu'elles sont en bon état et ne sont affectées d'aucune condition susceptible de nuire au bon fonctionnement de l'outil. En cas de dommage, faire réparer l'outil électrique avant toute nouvelle utilisation. Bien des accidents sont causés par des outils mal entretenus.

f) Maintenir tout outil de coupe bien aiguisé et propre. Les outils de coupe bien entretenus et affûtés sont moins susceptibles de se coincer et sont plus faciles à contrôler.

g) Utiliser un outil électrique, ses accessoires, mèches, etc., conformément aux présentes directives et suivant la manière prévue pour ce type particulier d'outil électrique, en tenant compte des conditions de travail et du travail à effectuer. L'utilisation d'un outil électrique pour toute opération autre que celle pour laquelle il a été conçu est dangereuse.

5) UTILISATION ET ENTRETIEN DE L'OUTIL ALIMENTÉ PAR PILE

- S'assurer que l'interrupteur se trouve à la position d'arrêt avant d'insérer le bloc-piles.** Insérer un bloc-piles dans un outil électrique dont l'interrupteur est à la position de marche risque de provoquer un accident.
- Ne recharger l'outil qu'au moyen du chargeur précisé par le fabricant.** L'utilisation d'un chargeur qui convient à un type de bloc-piles risque de provoquer un incendie s'il est utilisé avec un autre type de bloc-piles.
- Utiliser les outils électriques uniquement avec les blocs-piles conçus à cet effet.** L'utilisation de tout autre bloc-piles risque de causer des blessures ou un incendie.
- Lorsque le bloc-piles n'est pas utilisé, le tenir éloigné des objets métalliques, notamment des trombones, de la monnaie, des clés, des clous, des vis, etc., qui peuvent établir une connexion entre les deux bornes.** Mettre en court-circuit les bornes du bloc-piles peut provoquer des brûlures ou un incendie.
- En cas d'utilisation abusive, un liquide peut gicler hors du bloc-piles, éviter tout contact. Si un contact accidentel se produit, laver à grande eau. Si le liquide entre en contact avec les yeux, obtenir des soins médicaux.** Le liquide qui gicle hors du bloc-piles peut provoquer des irritations ou des brûlures.

6) SERVICE

- Faire entretenir les outils électriques par un réparateur qualifié en n'utilisant que des pièces de rechange identiques.** Cela permettra d'assurer l'intégrité de l'outil électrique et la sécurité de l'utilisateur.

Directives de sécurité supplémentaires pour les perceuses à percussion

- Tenir l'outil par sa surface de prise isolée dans une situation où l'outil de coupe peut entrer en contact avec un câblage caché ou avec son propre cordon d'alimentation.** Tout contact avec un fil « sous tension » mettra « sous tension » les pièces métalliques de l'outil et causera un choc électrique à l'opérateur de l'outil. S'assurer que le matériau percé ne cache pas de conduite électrique ou de gaz et que leur emplacement a été vérifié avec les entreprises de services publics.
- Porter des protecteurs d'oreilles.** Une exposition au bruit peut entraîner une perte auditive.
- Utiliser les poignées auxiliaires fournies avec l'outil.** Une perte de maîtrise de l'outil peut entraîner des blessures corporelles. Tenir fermement l'outil en tout temps. Ne pas utiliser l'outil sans le tenir des deux mains. Faire fonctionner cet outil d'une seule main risque de provoquer la perte de maîtrise de l'outil. Il peut aussi être dangereux de percer ou de tomber sur des matériaux durs comme une barre d'armature. Bien serrer la poignée latérale avant d'utiliser l'outil.
- Utiliser des brides de fixation ou tout autre dispositif de fixation permettant de soutenir et de retenir la pièce sur une plate-forme stable.** Tenir la pièce avec la main ou contre son corps est instable et risque de provoquer une perte de maîtrise de l'outil.
- Porter des lunettes de sécurité ou une autre protection oculaire.** Les opérations de percussion peuvent projeter les copeaux. Les particules projetées peuvent endommager les yeux irréversiblement. Porter un masque antipoussières ou un appareil respiratoire. La plupart des applications peuvent demander l'utilisation d'un dispositif de protection des oreilles.
- Tenir fermement l'outil en tout temps. Ne pas utiliser l'outil sans le tenir des deux mains.** Il est recommandé d'utiliser en tout temps la poignée latérale. Faire fonctionner cet outil d'une seule main risque de provoquer la perte de maîtrise de l'outil. Il peut aussi être dangereux de percer ou de tomber sur des matériaux durs comme une barre d'armature.
- Ne pas faire fonctionner cet outil durant de longues périodes.** Les vibrations causées par la percussion du marteau peuvent être nuisibles pour vos mains et vos bras. Utiliser des gants pour amortir davantage les vibrations et limiter l'exposition à l'outil par de fréquentes périodes de repos.
- Ne pas remettre à neuf les mèches vous-même.** La remise à neuf du burin doit être réalisée par un spécialiste autorisé. Les burins mal remis à neuf peuvent causer des blessures.
- Porter des gants pour utiliser l'outil ou pour changer les mèches.** Les pièces métalliques accessibles de l'outil et les mèches peuvent devenir extrêmement chaudes durant le fonctionnement de l'outil. De petits morceaux de matériau qui se détachent peuvent endommager les mains nues.
- Ne jamais déposer l'outil tant que la mèche ne s'est pas complètement arrêtée.** Les mèches mobiles peuvent provoquer des blessures.
- Ne pas frapper sur les mèches coincées avec un marteau pour les déloger.** Des fragments de métal ou des copeaux de matériau peuvent se déloger et causer des blessures.
- Les burins légèrement usés peuvent être réaffûtés par le meulage.**
- Tenir éloigné le cordon d'alimentation de la mèche rotative. Ne pas enrouler le cordon autour de toute partie du corps.** Un cordon d'alimentation enroulé autour d'une mèche rotative risque de causer des blessures corporelles et une perte de maîtrise de l'outil.

REMARQUE : ne pas surchauffer la mèche (décoloration) durant le meulage d'un nouveau tranchant. Les burins mal usés demandent à être de nouveau forgés. Ne pas durcir ni ne faire revenir les burins.

AVERTISSEMENT : TOUJOURS porter des lunettes de sécurité. Les lunettes de vue ne constituent PAS des lunettes de sécurité. Utiliser également un masque facial ou anti-poussière si l'opération de découpe génère de la poussière. TOUJOURS PORTER UN ÉQUIPEMENT DE PROTECTION HOMOLOGUÉ :

- protection oculaire conforme à la norme ANSI Z87.1 (CAN/CSA Z94.3);
- protection auditive ANSI S12.6 (S3.19);
- protection des voies respiratoires conformes aux normes NIOSH/OSHA/MSHA.

AVERTISSEMENT : certaines poussières produites par les activités de ponçage, sciage, meulage, perçage et autres activités de construction peuvent contenir des produits chimiques pouvant causer le cancer, des anomalies congénitales ou d'autres problèmes liés aux fonctions reproductrices. Voici quelques exemples de ces produits chimiques :

- le plomb contenu dans les peintures à base de plomb;
- la silice cristalline de la brique, du ciment et d'autres produits de maçonnerie; et
- l'arsenic et chrome provenant de bois traité chimiquement.

Les risques liés à l'exposition à ces poussières varient selon la fréquence à laquelle l'utilisateur travaille avec ce type de matériaux. Pour réduire votre exposition à ces produits chimiques : travailler dans un endroit bien ventilé et porter un équipement de sécurité approuvé comme un masque antipoussières conçu spécialement pour filtrer les particules microscopiques.

Éviter le contact prolongé avec les poussières produites par les activités de ponçage, sciage, meulage, perçage et autres activités de construction. Porter des vêtements de protection et laver les parties du corps exposées avec une solution d'eau et de savon. Laisser la poussière pénétrer dans la bouche, les yeux ou reposer sur la peau peut favoriser l'absorption de produits chimiques nocifs.

AVERTISSEMENT : l'utilisation de cet outil peut produire et/ou dégager des poussières qui risqueraient de causer des problèmes respiratoires graves et permanents ou d'autres problèmes médicaux. Toujours porter un appareil respiratoire approuvé par la NIOSH/OSHA pour se protéger de la poussière. Diriger les particules loin du visage et du corps.

AVERTISSEMENT : toujours utiliser une protection oculaire. Tous les utilisateurs et personnes à proximité doivent porter une protection oculaire conforme à la norme ANSI Z87.1.

AVERTISSEMENT : TOUJOURS porter une protection auditive appropriée conformément à la norme ANSI S12.6 (S3.19) lors de l'utilisation du produit. Dans certaines conditions et selon la durée d'utilisation, le bruit émis par ce produit peut contribuer à une perte auditive.

MISE EN GARDE : lorsque l'outil n'est pas utilisé, le placer sur le côté, sur une surface stable, de manière à ne faire trébucher ou tomber personne. Certains outils présentant un gros bloc-piles reposeront sur ce dernier, à la verticale, mais risque d'être facilement renversés.

L'étiquette apposée sur votre outil peut comprendre les symboles suivants. Les symboles et leurs définitions sont indiqués ci-après :

V.....volts	A..... ampères
Hz.....hertz	W..... watts
min.....minutes	~courant alternatif
==courant continu	no vitesse à vide
ⓈConstruction de classe I (mis à la terre)	Ⓣ borne de terre
ⓂConstruction de classe II (à double isolation)	⚠ symbole d'alerte à la sécurité
BPMcoups par minute	.../min..... rotations ou alternance par minute

Directives de sécurité importantes pour les chargeurs de piles

CONSERVER CES DIRECTIVES : Ce manuel contient des directives de sécurité importantes sur les chargeurs de piles.

Avant d'utiliser le chargeur, lire toutes les directives et les indications d'avertissement figurant sur le chargeur, le bloc-piles et le produit utilisé avec le bloc-piles.

AVERTISSEMENT : Risque de choc. Éviter la pénétration de tout liquide dans le chargeur.

MISE EN GARDE : Sous certaines conditions, lorsque le chargeur est branché au bloc d'alimentation, le chargeur peut être court-circuité par des corps étrangers. Tout corps étranger conducteur, tel que, mais sans s'y limiter, la laine d'acier, le papier d'aluminium, ou toute accumulation de particules métalliques, doit être maintenu à distance des ouvertures du chargeur. Débrancher systématiquement le chargeur si aucun bloc-piles n'y est inséré. Débrancher le chargeur avant tout nettoyage.

NE PAS charger le bloc-piles au moyen de tout autre chargeur que ceux mentionnés dans le présent manuel. Le chargeur et le bloc-piles sont spécialement conçus pour être utilisés ensemble.

Ces chargeurs ne sont pas prévus pour être utilisés à d'autres fins que celles de charger les piles rechargeables DEWALT. Toute autre utilisation risque de provoquer un incendie, un choc électrique ou une électrocution

Ne pas exposer le chargeur à la pluie ou à la neige.

Tirer sur la fiche plutôt que sur le cordon pour débrancher le chargeur. Cela permet de réduire le risque d'endommager la fiche ou le cordon d'alimentation.

- S’assurer que le cordon est situé en lieu sûr de manière à ce que personne ne marche ni ne trébuché dessus ou à ce qu’il ne soit pas endommagé ni soumis à une tension.**
- Ne pas utiliser de rallonge à moins que cela ne soit absolument nécessaire.** L'utilisation d'une rallonge inadéquate risque d'entraîner un incendie, un choc électrique ou une électrocution.
- La rallonge utilisée doit présenter un calibre adéquat (AWG ou calibrage américain normalisé des fils) pour assurer la sécurité.** Plus le numéro de calibre de fil est petit et plus sa capacité est grande, par exemple un calibre 16 a plus de capacité qu'un calibre 18. Si plus d'une rallonge est utilisée pour obtenir la longueur totale, s'assurer que chaque rallonge présente au moins le calibre de fil minimum.
- Ne pas mettre d'objet sur le chargeur ni mettre ce dernier sur une surface molle pouvant obstruer les fentes de ventilation et ainsi provoquer une chaleur interne excessive.** Mettre le chargeur à un endroit éloigné de toute source de chaleur. La ventilation du chargeur se fait par les fentes pratiquées dans les parties supérieures et inférieures du boîtier.
- Ne pas monter le chargeur sur un mur ni le fixer de manière permanente sur une surface quelconque.** Le chargeur est destiné à une utilisation sur une surface plane et stable (c.-à-d. un dessus de table).
- Ne pas faire fonctionner le chargeur si la fiche ou le cordon est endommagé;** les remplacer immédiatement.
- Ne pas faire fonctionner le chargeur s’il a reçu un choc violent, s’il est tombé ou s’il a été endommagé de quelque manière que ce soit.** Apporter le chargeur à un centre de réparation autorisé.
- Ne pas démonter le chargeur; l'apporter à un centre de réparation autorisé lorsqu'un entretien ou une réparation est requise.** Un chargeur mal réassemblé peut causer un choc électrique, une électrocution ou un incendie.
- Débrancher le chargeur avant de le nettoyer.** Cela permettra de réduire le risque de choc électrique. Retirer le bloc-piles ne réduira pas le risque.
- Ne **JAMAIS** relier 2 chargeurs ensemble.
- Le chargeur est conçu pour être alimenté en courant domestique standard (120 V). Ne pas utiliser une tension supérieure pour le chargeur.**

CONSERVER CES DIRECTIVES

Introduction

Le chargeur DC9000 est conçu pour charger le bloc-piles DEWALT en environ une heure. Ce chargeur n'exige aucun ajustement et est conçu pour être aussi facile que possible. Placer tout simplement votre bloc-piles dans la prise d'un chargeur branché et il se chargera automatiquement le bloc-piles.

Directives de sécurité importantes pour les blocs-piles

▲AVERTISSEMENT : *Pour un fonctionnement sans danger, lire ce manuel et les manuels initialement fournis avec l'outil avant d'utiliser le chargeur.*

Pour la commande d'un bloc-piles de recharge, s'assurer d'inclure le numéro de catalogue et la tension. Consulter le tableau figurant à la dernière page du présent manuel pour connaître la compatibilité des chargeurs et des blocs-piles.

Le bloc-piles n'est pas complètement chargé à la sortie de la boîte pliante. Avant d'utiliser le bloc-piles et le chargeur, lire les directives de sécurité ci-après. Suivre les consignes de chargement décrites.

LIRE TOUTES LES DIRECTIVES

- Ne pas incinérer le bloc-piles même s’il est très endommagé ou complètement usé.** *Le bloc-piles peut exploser dans un feu. Des vapeurs et des matières toxiques émanent lorsque les blocs-piles au lithium-ion sont brûlés.*
- Ne pas charger ou utiliser une pile dans un milieu déflagrant, soit en présence de liquides inflammables, de gaz ou de poussière.** *Insérer ou retirer une pile du chargeur peut enflammer la poussière ou des émanations.*
- Si le contenu de la pile entre en contact avec la peau, laver immédiatement la zone touchée au savon doux et à l'eau.** *Si le liquide de la pile entre en contact avec les yeux, rincer l'œil ouvert à l'eau pendant 15 minutes ou jusqu'à ce que l'irritation cesse. Si des soins médicaux sont nécessaires, l'électrolyte de la pile est composé d'un mélange de carbonates organiques liquides et de sels de lithium.*
- Le contenu des cellules de pile ouvertes peut provoquer une irritation respiratoire.** *Exposer la personne à de l'air frais. Si les symptômes persistent, obtenir des soins médicaux.*

▲AVERTISSEMENT : *Risque de brûlure. Le liquide de la pile peut s'enflammer s’il est exposé à des étincelles ou à une flamme.*

- Charger les blocs-piles uniquement au moyen de chargeurs DEWALT.
- NE PAS** éclabousser le bloc-piles ou l'immerger dans l'eau ou tout autre liquide.
- Ne pas ranger ni utiliser l'outil et le bloc-piles à un endroit où la température peut atteindre ou dépasser les 40,5 °C (105 °F) (comme dans les remises extérieures ou les bâtiments métalliques l'été).**

▲AVERTISSEMENT : *Ne jamais ouvrir le bloc-piles pour quelque raison que ce soit. Si le boîtier du bloc-piles est fissuré ou endommagé, ne pas l'insérer dans un chargeur. Ne pas broyer, échapper ou endommager le bloc-piles. Ne pas utiliser un bloc-piles ou un chargeur qui a reçu un choc violent, qui est tombé, écrasé ou qui a été endommagé de quelque manière que ce soit (p. ex. percé par un clou, frappé d'un coup de marteau, marché dessus). Les blocs-piles endommagés doivent être envoyés au centre de réparation pour être recyclés.*

▲AVERTISSEMENT : *Risque d'incendie Ne pas ranger ni transporter les piles de manière à ce que des objets métalliques puissent entrer en contact avec les bornes exposées des piles.* *Par exemple, ne pas mettre les piles dans un tablier, une poche, une boîte à outils, une boîte de nécessaire de produit, un tiroir, etc. avec des clous, des vis, des clés etc. Le transport des piles peut causer un incendie si les bornes des piles entrent en contact involontairement avec des matières conductrices comme des clés, de la monnaie, des outils manuels et d'autres éléments semblables.* *La Hazardous Material Regulation (HMR) du département américain des transports interdit en fait le transport des piles pour le commerce et dans les avions (ex. : piles emballées dans des valises et des bagages à main) À MOINS qu'elles soient bien protégées contre les courts-circuits. Pour le transport des piles individuelles, s'assurer que les bomes sont protégées et bien isolées contre toute matière pouvant entrer en contact avec elles et causer un court-circuit.*

Le sceau SRPRC^{MC}

Le sceau SRPRC^{MC} (Société de Recyclage des Piles Rechargeables au Canada) sur la pile au lithium-ion (ou sur le bloc-piles) indique que le coût de recyclage de cette pile (ou bloc-piles) à la fin de sa vie utile a été payé par DEWALT.

SRPRC^{MC} en collaboration avec DEWALT et d'autres utilisateurs de piles ont établi aux États-Unis et au Canada des programmes facilitant la cueillette des piles au lithium-ion déchargées. Aidez-nous à protéger l'environnement et à conserver nos ressources naturelles en retournant les piles au lithium-ion épuisées à un centre de réparation DEWALT ou au détaillant de votre région pour qu'elles soient recyclées. Il est aussi possible de communiquer avec le centre de recyclage de votre région pour obtenir des informations sur les lieux de dépôt des piles épuisées.

SRPRC^{MC} est une marque déposée de la *Société de recyclage des piles rechargeables au Canada*.

Recommandations de rangement

- Le meilleur endroit de rangement est celui qui est frais et sec, loin de toute lumière directe et de température excessive (chaleur ou froid).
- Un long entreposage n'endommagera pas le bloc-piles ou le chargeur. Sous de bonnes conditions, ils peuvent être rangés jusqu'à 5 ans ou plus.

Chargeur

Votre bloc-piles exige un chargeur d'une heure DEWALT. S'assurer de bien lire les directives de sécurité avant d'utiliser le chargeur. Consulter le tableau figurant à l'arrière de ce manuel pour connaître la compatibilité des chargeurs et des blocs-piles.

Procédure de charge

- Brancher le chargeur dans une prise appropriée avant d'insérer le bloc-piles.
- Insérer le bloc-piles dans le chargeur. Le chargeur est doté d'une jauge de carburant à trois lumières qui clignotera selon l'état de charge du bloc-piles.
- La fin de la charge sera indiquée par les trois voyants rouges qui demeureront continuellement allumés. Le bloc-piles est chargé à plein et peut être utilisé ou laissé dans le chargeur à ce moment.

☀ ● ● □	0 % - 33 %	1 ^{er} voyant clignote
☀ ☀ ● □	33 % - 66 %	1 ^{er} voyant allumé, 2 ^e voyant clignote
● ● ☀ □	66 % - 99 %	1 ^{er} , 2 ^e voyants allumés, 3 ^e voyant clignote
● ● ● ■	100 %	1 ^{er} , 2 ^e , 3 ^e , voyants allumés

Diagnostic de chargeur

Ce chargeur est conçu pour détecter certains problèmes pouvant survenir avec les blocs-piles ou le chargeur. Les problèmes sont indiqués par trois voyants clignotant ensemble dans des motifs différents.

PROBLÈME AVEC LE SECTEUR

Lorsque le chargeur est utilisé avec certaines sources d'alimentation portatifs comme des génératrices ou des sources qui font la conversion de c.c. à c.a., le chargeur peut suspendre temporairement son fonctionnement. Les trois voyants rouges clignoteront ensemble avec **deux clignotements rapides suivis par une pause**. Cela indique que la source d'alimentation est hors tolérance.

PILE EN MAUVAIS ÉTAT

Le chargeur peut aussi détecter les piles faibles ou endommagées. Les trois voyants rouges clignoteront ensemble avec un **clignotement rapide**. La pile ne se chargera plus et doit être retournée à un centre de réparation ou à un site de collecte pour le recyclage.

CHARGEUR EN MAUVAIS ÉTAT

Le chargeur détectera s'il ne fonctionne pas correctement. Les trois voyants rouges clignoteront ensemble avec un **clignotement rapide suivi d'un long clignotement**. Le chargeur ne fonctionnera plus et doit être retourné à un centre de réparation autorisé ou remplacé.

PILE LAISSÉ DANS LE CHARGEUR

Le chargeur et le bloc-piles peuvent être laissés branchés avec les voyants rouges allumés indéfiniment. Le chargeur maintiendra le bloc-piles chargé à plein et en bon état. Ce chargeur comprend un mode de mise au point automatique qui égalise ou équilibre chaque cellule du bloc-piles pour lui permettre de fonctionner à son rendement optimum. Les blocs-piles doivent être réglés chaque semaine ou lorsque la pile ne fonctionne plus de manière optimale. Pour utiliser le mode de mise au point automatique, mettre le bloc-piles dans le chargeur et 'y laisser pendant au moins 8 heures.

Remarques de chargement importantes

- Pour augmenter la durée de vie du bloc-piles et optimiser son rendement, le charger à une température entre 18 °C et 24 °C (65 °F – 75 °F). NE PAS charger le bloc-piles à des températures inférieures à 4,5 °C (40° F) ou supérieures à 40,5 °C (105° F). Ces consignes sont importantes et permettent d'éviter d'endommager le bloc-piles.

- Le chargeur et le bloc-piles peuvent devenir chaud au toucher pendant la charge. Il s'agit d'un état normal et n'indique pas un problème. Pour faciliter le refroidissement du bloc-piles après son utilisation, éviter de mettre le chargeur ou le bloc-piles dans un endroit chaud comme dans une remise métallique ou une remorque non isolée.
- Si le bloc-piles ne se charge pas adéquatement :
 - Vérifier le courant à la prise en branchant une lampe ou un autre appareil électrique.
 - Vérifier si la prise est reliée à un interrupteur de lumière qui la met hors tension lorsque vous éteignez les lumières.
 - Déplacer le chargeur et le bloc-piles à un endroit où la température ambiante est entre 18 °C et 24 °C (65 °F – 75 °F).
 - Si le problème persiste, apporter ou envoyer l'outil, le bloc-piles et le chargeur au centre de réparation de votre région.
- Le bloc-piles doit être rechargé lorsqu'il n'arrive pas à produire suffisamment de puissance pour des travaux qui étaient facilement réalisés précédemment. NE PAS CONTINUER à utiliser le bloc-piles dans ces conditions. Suivre les procédures de charge. Vous pouvez également recharger un bloc-piles partiellement utilisé chaque fois que vous le souhaitez sans effet nuisible sur le bloc-piles.
- Tout corps étranger conducteur, tel que, mais sans s'y limiter, la laine d'acier, le papier d'aluminium, ou toute accumulation de particules métalliques, doit être maintenu à distance des ouvertures du chargeur. Débrancher systématiquement le chargeur si aucun bloc-piles n'y est inséré. Débrancher le chargeur avant tout nettoyage.
- Ne pas geler ni immerger le chargeur dans l'eau ou dans tout autre liquide.

▲AVERTISSEMENT : *Risque de choc. Éviter la pénétration de tout liquide dans le chargeur.*

▲MISE EN GARDE : *Ne jamais essayer d'ouvrir le bloc-piles pour quelque raison que ce soit. Si le boîtier de plastique du bloc-piles est brisé ou fissuré, le retourner à un centre de réparation pour être recyclé.*

Moteur

Votre outil DEWALT fonctionne avec un moteur construit par DEWALT. S'assurer que le bloc d'alimentation est compatible avec les inscriptions de la plaque signalétique.

Une diminution de tension de plus de 10 % provoquera une perte de puissance et une surchauffe. Tous les outils DEWALT sont testés en usine; si cet outil ne fonctionne pas, vérifier le bloc-piles.

COMPOSANTS (FIG. 1)

- Poignée latérale
- Détente
- Bouton de commande marche avant/marche arrière (Bouton de verrouillage)
- Sélecteur de mode
- Poignée principale

Poignée latérale (fig. 1)

▲MISE EN GARDE : *toujours utiliser l'outil avec la poignée latérale bien assemblée. Tenir l'outil des deux mains pour obtenir une plus grande maîtrise de l'outil.*

La poignée latérale se fixe à l'avant du corps du canon (collet) et peut être tournée à 360° pour permettre une utilisation de la main droite ou gauche. Serrer la poignée latérale en faisant tourner la partie noire en plastique de la poignée latérale dans le sens horaire. S'assurer que la poignée latérale soit suffisamment serrée pour résister à la torsion de l'outil si l'accessoire se coince ou que le moteur cale. Pour mieux maîtriser l'outil si le moteur cale, bien saisir la poignée latérale par son extrémité. Pour desserrer la poignée latérale, la faire tourner dans le sens antihoraire.

Interrupteur (fig. 1)

Pour démarrer l'outil, presser la détente (B). Pour l'éteindre, simplement la relâcher. L'outil est doté d'un frein, dès le relâchement complet de la détente, le mandrin s'arrêtera.

INTERRUPTEUR DE VITESSE VARIABLE

L'interrupteur de vitesse variable vous permet de choisir la vitesse convenant le mieux à une application particulière. Plus la détente est enfoncée, plus la vitesse de l'outil sera élevée. Pour une durée de vie accrue de l'outil, utiliser la fonction de vitesse variable uniquement pour commencer le vissage des fixations.

REMARQUE : un usage continu dans la plage à vitesse variable n'est pas recommandé. Cette pratique pourrait endommager la détente et devrait être évité.

Sélecteur de mode (fig. 1)

▲MISE EN GARDE : *ne jamais changer de mode lorsque l'outil fonctionne.*

Pour percer droit, régler le sélecteur de mode (D) de manière à ce que la flèche pointe vers le symbole de mèche pour le perçage (F). Pour le marteau perforateur, aligner la flèche sur le symbole de marteau (G). Pour le mode burinage aligner la flèche sur le symbole de burinage (H).

REMARQUE : le sélecteur de mode (D) doit se trouver en mode de perçage, mode de perforateur ou mode de burinage en tout temps. Il n'existe pas de positions de fonctionnement intermédiaire.

Bouton de commande marche avant/marche arrière (fig. 2)

Un bouton de commande marche avant/marche arrière (C) détermine la direction de l'outil et sert aussi de bouton de verrouillage.

Pour sélectionner la marche avant, relâcher la détente (B) et enfoncer le bouton de commande marche avant/marche arrière vers le côté droit de l'outil.

Pour la marche arrière, enfoncer le bouton de commande marche avant/marche arrière vers le côté gauche de l'outil.

La position du centre du bouton de commande verrouille l'outil en position d'arrêt. Toujours relâcher la détente avant de changer la position du bouton de commande.

REMARQUE : au premier démarrage de l'outil, après un changement de direction, il est possible qu'un dé clic se fasse entendre. Le dé clic est normal et n'indique pas de problème.

FONCTIONNEMENT

▲AVERTISSEMENT : *pour réduire le risque de blessures corporelles graves, éteindre l'outil et le débrancher avant d'effectuer tout réglage, ou d'enlever ou d'installer des accessoires.*

Installation et retrait du bloc-piles (fig. 3)

REMARQUE : s'assurer que le bloc-piles est entièrement chargé.

▲MISE EN GARDE : *s'assurer que le bouton de verrouillage (C) est bien engagé pour empêcher l'utilisation de la gâchette lors de l'installation et du retrait du bloc-piles.*

Pour installer le bloc-piles dans la poignée de l'outil, aligner la base de l'outil avec les rainures situées à l'intérieur de la poignée et glisser le bloc-piles fermement dans la poignée jusqu'à ce qu'on entende un dé clic indiquant qu'il est bien enclenché.

Pour retirer le bloc-piles hors de l'outil, appuyer sur le bouton de dégagement (I) et tirer fermement le bloc-piles hors de la poignée. L'insérer dans le chargeur selon les directives figurant sous la rubrique du chargeur du présent mode d'emploi.

REMARQUE : cet outil fonctionne entre -7° C et +40° C (entre 19° F et 104° F). L'utilisation de cet outil en dehors de la plage de températures mentionnée réduira sa durée de vie.

SHOCKS™ (Chocs™) – Correcteur anti vibrations

▲AVERTISSEMENT : *pour réduire le risque de blessures corporelles graves, éteindre l'outil et le débrancher avant d'effectuer tout réglage, ou d'enlever ou d'installer des accessoires.*

Pour corriger au maximum les vibrations, tenir l'outil en mettant une main sur la poignée principale (E) et l'autre main sur la poignée latérale (A). Appliquer tout juste suffisamment de pression pour que le marteau soit environ à mi-course. Le marteau a seulement besoin d'assez de pression pour engager le correcteur antivibrations actif. Trop de pression n'accélèrera ni le perçage ni le burinage de l'outil et le correcteur antivibrations actif ne s'engagera pas.

Mandrin SDS (fig. 4)

▲AVERTISSEMENT : *pour réduire le risque de blessures corporelles graves, éteindre l'outil et le débrancher avant d'effectuer tout réglage, ou d'enlever ou d'installer des accessoires.*

MISE EN GARDE : *ne jamais utiliser de mèches à buriner avec l'outil car l'outil pourrait se gripper et s'endommager.*

Pour insérer la mèche, insérez la tige de la mèche à environ 19 mm dans le mandrin (J). Pousser et faire tourner la mèche jusqu'à ce qu'elle s'enclenche. La mèche sera bien maintenue.

Pour relâcher la mèche, tirez le manchon vers l'arrière (K) et enlevez la mèche.

Perçage

▲AVERTISSEMENT : *pour réduire le risque de blessures corporelles graves, éteindre l'outil et le débrancher avant d'effectuer tout réglage, ou d'enlever ou d'installer des accessoires.*

- N'utilisez que des mèches bien aiguisées. Pour la MAÇONNERIE, par exemple les briques, le ciment, les blocs de béton, etc., utiliser des mèches à pointe carburée pour perçage à percussion. Assurez-vous que le matériau à percer est ancré ou fixé fermement. En cas de perçage dans un matériau fin, utiliser un bloc « de secours » pour éviter tout dommage au matériau.
- Toujours exercer une pression en ligne droite par rapport à la mèche. Exercer suffisamment de pression pour faire mordre la mèche mais ne pas trop appuyer pour éviter de bloquer le moteur ou de faire dévier la mèche.
- Tenir l'outil fermement des deux mains pour contrôler la torsion de la perceuse.
- SI LA PERCEUSE SE BLOQUE**, le problème est généralement attribuable à une surcharge ou une mauvaise utilisation. **RELÂCHER IMMÉDIATEMENT L'INTERRUPTEUR**, retirer la mèche du trou percé et déterminer la cause du blocage. **NE PAS APPUYER DE FAÇON RÉPÉTÉE SUR LA DÉTENTE POUR TENTER DE DÉMARRER UNE PERCEUSE BLOQUÉE CAR CETTE PRATIQUE PEUT ENDOMMAGER LA PERCEUSE.**
- Faire tourner la perceuse pour retirer la mèche du trou percé. Cette pratique empêche la mèche de se coincer.
- Utiliser une vitesse lente pour commencer le trou et accélérer en appuyant davantage sur la gâchette lorsque le trou est assez profond pour percer sans que la mèche n'en déborde.

PERÇAGE DANS LA MAÇONNERIE

Lors du perçage en maçonnerie, utiliser des mèches à pointe en carbure pour la maçonnerie. S'assurer que la mèche est affûtée. S'assurer que le mode marteau est sélectionné. Utiliser une force ferme et constante sur l'outil pour un perçage plus efficace. Une évacuation continue de poussière indique que votre vitesse de perçage est adéquate.

ENTRETIEN

▲AVERTISSEMENT : *pour réduire le risque de blessures corporelles graves, éteindre l'outil et le débrancher avant d'effectuer tout réglage, ou d'enlever ou d'installer des accessoires.*

Nettoyage

▲AVERTISSEMENT : *ne jamais utiliser de solvants ni d'autres produits chimiques puissants pour nettoyer les pièces non métalliques de l'outil. Ces produits chimiques peuvent affaiblir les matériaux de plastique utilisés dans ces pièces. Utiliser un chiffon humecté uniquement d'eau et de savon doux. Ne jamais laisser de liquide pénétrer dans l'outil et n'immerger aucune partie de l'outil dans un liquide.*

INSTRUCCIONES DE NETTOYAJE DU CHARGEUR

⚠️ AVERTISSEMENT : *Risque de choc. Débrancher le chargeur de la prise de courant C.A. avant de le nettoyer. La saleté et la graisse peuvent être enlevées de la surface extérieure du chargeur au moyen d'un chiffon ou d'une brosse douce non métallique. Ne pas utiliser d'eau ni d'autres solutions de nettoyage.*

Lubrification

La scie a été parfaitement lubrifiée avant de quitter l'usine. Dans deux à six mois, selon l'utilisation, amener ou envoyer l'outil à un centre de réparation autorisé pour un nettoyage, une inspection et une lubrification totale. Les outils utilisés constamment pour des travaux doivent être lubrifiés plus fréquemment. De plus, les outils « inutilisés » pendant une longue période doivent être lubrifiés de nouveau avant d'être réutilisés.

Accessoires

⚠️ AVERTISSEMENT : *puisque les accessoires autres que ceux offerts par DEWALT n'ont pas été testés avec ce produit, leur utilisation pourrait s'avérer dangereuse. Pour réduire le risque de blessures, utiliser exclusivement les accessoires DEWALT recommandés avec le présent produit.*

Les accessoires recommandés pour utilisation avec l'outil sont disponibles, à un coût supplémentaire, auprès du distributeur ou du centre de réparation autorisé de votre région. Pour toute demande d'assistance pour trouver un accessoire, veuillez contacter DEWALT Industrial Tool Co., 701 East Joppa Road, Baltimore, MD 21286, États-Unis, composer le 1 (800) 4-DEWALT (1-800-433-9258) ou visiter notre site Web à www.dewalt.com.

CAPACITÉS MAXIMALES RECOMMANDÉES

DC228, DC233		
R.P.M.		0-1 150
B.P.M		0-4 400
BITS, MASONRY DRILLING		2,54 cm (1")

Réparations

Le chargeur n'est pas réparable pas l'utilisateur. Aucune pièce à l'intérieur du chargeur ne peut être réparée par l'utilisateur. Pour éviter tout dommage aux composants internes sensibles à l'électricité statique, effectuer toutes réparations à un centre de réparation autorisé.

Pour assurer la SÉCURITÉ et la FIABILITÉ du produit, les réparations, l'entretien et les réglages (y compris l'inspection et le remplacement de la brosse) doivent être réalisés par un centre de réparation en usine DEWALT, un centre de réparation autorisé DEWALT ou par un personnel de réparation professionnel. Toujours utiliser des pièces de rechange identiques.

Garantie limitée trois ans

DEWALT réparera gratuitement tous les problèmes dus à des défauts de matériau ou de fabrication pendant trois ans à compter de la date d'achat. Cette garantie ne couvre pas des défaillances de pièce dues à une usure normale ou à une mauvaise utilisation de l'outil. Pour plus de détails relatifs à la couverture de la garantie et aux réparations sous garantie, visiter le site Web www.dewalt.com ou composer le 1-800-4-DEWALT (1-800-433-9258). Cette garantie ne s'applique pas aux accessoires ni aux dommages causés par des réparations réalisées ou tentées par des tiers. Cette garantie vous accorde des droits légaux spécifiques et il est possible que vous ayez d'autres droits qui varient d'un État ou d'une province à l'autre.

En plus de la garantie, les outils DEWALT sont couverts par notre :

SERVICE D'ENTRETIEN GRATUIT DE 1 AN

DEWALT entretiendra l'outil et remplacera les pièces usées par une utilisation normale et ce, gratuitement, à tout instant pendant la première année à compter de la date d'achat.

CONTRAT D'ENTRETIEN GRATUIT DE DEUX ANS SUR LES BLOC-PILES DEWALT

DC9096, DC9091, DC9071, DC9360 et DC9280 et la

GARANTIE DE REMBOURSEMENT DE 90 JOURS

Si vous n'êtes pas entièrement satisfait des performances de votre outil électrique, laser ou de votre marteau-cloueur DEWALT pour quelque raison que ce soit, vous pouvez le retourner accompagné d'un reçu dans les 90 jours suivant la date d'achat et nous vous rembourserons entièrement - sans poser de questions.

AMÉRIQUE LATINE : cette garantie ne s'applique pas aux produits vendus en Amérique latine. Pour ceux-ci, veuillez consulter les informations relatives à la garantie spécifique présente dans l'emballage, appeler l'entreprise locale ou consulter le site Web pour les informations relatives à cette garantie.

REPLACEMENT GRATUIT DES ÉTIQUETTES D'AVERTISSEMENT : si les étiquettes d'avertissement deviennent illisibles ou sont manquantes, composer le 1-800-4-DEWALT pour en obtenir le remplacement gratuit.

DCXXX 36V SDS HAMMER	DCXXX 28V SDS HAMMER
SER. XXXXXXXXXX	SER. XXXXXXXXXX
⚠️ WARNING TO REDUCE THE RISK OF INJURY, USER MUST READ INSTRUCTION MANUAL. ALWAYS USE PROPER EYE AND RESPIRATORY PROTECTION.	⚠️ WARNING TO REDUCE THE RISK OF INJURY, USER MUST READ INSTRUCTION MANUAL. ALWAYS USE PROPER EYE AND RESPIRATORY PROTECTION.
DEWALT INDUSTRIAL TOOL CO., BALTIMORE, MD 21286 USA FOR SERVICE INFORMATION, CALL 1-800-4-DEWALT www.DEWALT.com	DEWALT INDUSTRIAL TOOL CO., BALTIMORE, MD 21286 USA FOR SERVICE INFORMATION, CALL 1-800-4-DEWALT www.DEWALT.com
⚠️ ADVERTENCIA: PARA EL MANEJO SEGURO LEA EL MANUAL DE INSTRUCCIONES. SIEMPRE SE DEBERÁ LLEVAR LA PROTECCIÓN APROPIADA PARA LA VISTA Y PARA LAS VIAS RESPIRATORIAS.	⚠️ AVERTISSEMENT: À TITRE PRÉVENTIF, LIRE LE GUIDE. IL FAUT TOUJOURS PORTER DE L'ÉQUIPEMENT DE PROTECTION OCULAIRE ET RESPIRATOIRE APPROPRIÉ.

Avis de brevet

Fabriqué sous les brevets américains numéros :

6859013	6133713
6329788	6057608
6175211	6653815

D'autres brevets peuvent être en instance.

Reglas de seguridad generales

⚠️ ¡ADVERTENCIA! *Lea todas las instrucciones. El incumplimiento de todas y cada una de las instrucciones descritas debajo puede provocar descarga eléctrica, incendio o lesiones graves. El término “herramienta eléctrica” incluido en todas las advertencias descritas a continuación hace referencia a su herramienta eléctrica operada con corriente (alámbrica) o a su herramienta eléctrica operada con baterías (inalámbrica).*

GUARDE ESTAS INSTRUCCIONES

1) SEGURIDAD EN EL ÁREA DE TRABAJO

- a) Mantenga su área de trabajo limpia y bien iluminada.** Los accidentes abundan en las áreas de trabajo desordenadas u oscuras.
- No opere máquinas herramienta en ambientes explosivos, tales como en presencia de líquidos, gases o polvos inflamables.** Las máquinas herramienta generan chispas que pueden inflamar el polvo o los gases.
- No use máquinas herramienta en presencia de niños u otras personas circunstantes.** Las distracciones pueden hacerle perder el control.

2) SEGURIDAD ELÉCTRICA

- a) Los enchufes de las máquinas herramienta deben poder acoplarse a la toma de corriente. Jamás modifique el enchufe de ninguna manera. No emplee adaptadores de enchufe con máquinas herramienta conectadas a tierra.** Los enchufes no modificados y las tomas de corriente que correspondan al enchufe reducirán el riesgo de descarga eléctrica.
- Evite el contacto corporal con superficies conectadas a tierra, tales como tuberías, radiadores, cocinas y refrigeradores.** Existe un mayor riesgo de descarga eléctrica cuando su cuerpo está conectado a tierra.
- No exponga máquinas herramienta a condiciones lluviosas o húmedas.** Si entra agua a la máquina herramienta, aumentará el riesgo de descarga eléctrica.
- No abuse del cable. Jamás transporte, arrastre o desenchufe la máquina herramienta por el cable. Mantenga el cable alejado de fuentes de calor, aceite, bordes afilados o piezas en movimiento.** Los cables dañados o enredados aumentan el riesgo de descarga eléctrica. Cambie o repare aquellos cables que estén dañados. Verifique que su alargador esté en buenas condiciones. Utilice sólo alargadores de 3 hilos con enchufes de 3 patas, con conexión a tierra y tomas de corriente de 3 polos que acepten el enchufe de la herramienta.
- Cuando opere una máquina herramienta a la intemperie, use un alargador diseñado para uso a la intemperie.** El uso de un alargador diseñado para uso a la intemperie reduce el riesgo de descarga eléctrica. Cuando use un alargador, asegúrese de usar uno de un calibre suficiente como para cargar con la corriente que requerirá su producto. Un alargador de menor calibre causará una caída en el voltaje de la línea lo que resultará en pérdida de potencia y sobrecalentamiento. El siguiente cuadro muestra el tamaño correcto a utilizar, dependiendo del largo del cable y el amperaje nominal. En caso de duda, utilice el de mayor calibre. Mientras menor el número del calibre, mayor la capacidad del cable.

Tamaño mínimo recomendado del conductor para los cables de extensión

Longitud total del cable						
25 pies	50 pies	75 pies	100 pies	125 pies	150 pies	175 pies
7.6 m	15.2 m	22.9 m	30.5 m	38.1 m	45.7 m	53.3 m
Tamaño AWG del conductor						
18	18	16	16	14	14	12

3) SEGURIDAD PERSONAL

- a) Manténgase alerta, fíjese en lo que está haciendo y utilice su sentido común cuando opere una máquina herramienta. No utilice una máquina herramienta si está cansado o bajo la influencia de drogas, alcohol o medicamentos** Sólo hace falta un momento de distracción durante la operación de máquinas herramienta para causar lesiones corporales serias.

b) Use equipo de seguridad. Utilice siempre protección ocular. El uso de un equipo de seguridad apropiado a las condiciones de trabajo, tal como máscaras antipolvo, calzado de seguridad anti-derrapante, cascos o protección auditiva, reducirá la posibilidad de sufrir lesiones corporales.

c) Evite encender la máquina herramienta en forma accidental. Verifique que el conmutador esté apagado antes de enchufar la máquina herramienta. El sujetar una máquina herramienta con el dedo en el conmutador o enchufar máquinas herramienta con el conmutador encendido se presta para que ocurran accidentes.

d) Retire toda llave de ajuste antes de encender la máquina herramienta. Si se deja alguna llave en una pieza giratoria de la máquina herramienta, podría provocar lesiones.

e) No se sobreextienda. Manténgase siempre bien apoyado y equilibrado. Esto permite tener un mayor control de la máquina herramienta en situaciones inesperadas.

f) Vístase debidamente. No se ponga ropa suelta o joyas. Mantenga su pelo, ropa y guantes alejados de piezas móviles. La ropa suelta, las joyas y el pelo largo pueden quedar atrapados en las piezas móviles. Los orificios de ventilación suelen cubrir piezas en movimiento, por lo que también se deben evitar.

g) Si la máquina herramienta viene con algún dispositivo de conexión para la extracción y colección de polvo, asegúrese que este sea debidamente conectado y utilizado. El uso de estos dispositivos puede reducir los peligros relacionados a la generación de polvo.

4) USO Y CUIDADO DE LA MÁQUINA HERRAMIENTA

a) No fuerce la máquina herramienta. Use la máquina herramienta correcta para su aplicación. La máquina herramienta apropiada hará un trabajo mejor y más seguro si se usa de la manera para la cual fue diseñada.

b) No use la máquina herramienta si el conmutador no puede encenderla y apagarla. Cualquier máquina herramienta que no pueda ser controlada con el conmutador es peligrosa y debe ser reparada.

c) Desenchufe la máquina herramienta de la toma de corriente y/o de la unidad de alimentación antes de ajustarla, cambiar de accesorio o guardarla. Estas medidas de seguridad preventiva reducen el riesgo de poner en marcha la máquina herramienta accidentalmente.

d) Guarde su máquina herramienta fuera del alcance de niños cuando no la esté usando y no permita que personas que no estén familiarizadas con la máquina herramienta o estas instrucciones la usen. Las máquinas herramienta son peligrosas en manos de personas no capacitadas.

e) Mantenga su máquina herramienta. Revise la máquina herramienta para verificar que no esté mal alineada, que sus piezas móviles no estén trabadas o rotas y que no exista otra condición que pudiera afectar su operación. Si está dañada, haga reparar la máquina herramienta antes de utilizarla. Muchos accidentes son causados por usar máquinas herramienta que no han sido bien mantenidas.

f) Mantenga máquinas herramienta que son usadas para cortar afiladas y limpias. Las máquinas herramienta de corte debidamente mantenidas y afiladas tienen menos probabilidades de trabarse y son más fáciles de controlar.

g) Use la máquina herramienta, sus accesorios, etc., en cumplimiento con estas instrucciones y en la manera para la cual la máquina herramienta fue diseñada, tomando en cuenta las condiciones de trabajo y el trabajo a realizar. El uso de una máquina herramienta para operaciones fuera de aquellas para las que fue diseñada podría resultar en una situación peligrosa.

5) USO Y CUIDADO DE LA HERRAMIENTA A BATERÍA

a) Asegúrese de que el interruptor está en la posición Apagado (Off) antes de colocar la batería. La colocación de la batería en herramientas eléctricas que tienen el interruptor en Encendido (On) puede provocar accidentes.

b) Recargue solamente con el cargador indicado por el fabricante. Un cargador apropiado para un tipo de batería puede provocar riesgo de incendio si se utiliza con otra batería.

c) Utilice las herramientas eléctricas sólo con las baterías indicadas específicamente. El uso de cualquier otra batería puede provocar riesgo de lesiones e incendio.

d) Cuando no se utiliza la batería, guárdela lejos de otros objetos metálicos como: clips, monedas, llaves, clavos, tornillos u otros objetos metálicos pequeños que puedan producir la conexión de un terminal con otro. Conectar entre sí los terminales de la batería puede provocar quemaduras o incendio.

e) En caso de maltrato, la batería puede expulsar líquido: evite el contacto con el mismo. Si accidentalmente se produce contacto, lave con abundante agua. Si el líquido toca los ojos, busque asistencia medica. El líquido expulsado por la batería produce irritación o quemaduras.

6) SERVICIO

a) Haga reparar su máquina herramienta por un técnico de reparación calificado, utilizando sólo repuestos originales. Esto garantizará la seguridad de la máquina herramienta.

Instrucciones de seguridad adicionales para rotomartillos

- Sostenga la herramienta por las superficies de agarre aisladas cuando realice una operación en la que la herramienta de corte pueda tocar cables eléctricos ocultos o el cable de ésta.** El contacto con un cable con corriente eléctrica hará que las partes expuestas de la herramienta tengan corriente y que el operador reciba una descarga eléctrica. Asegúrese de que el material por taladrar no contenga cableados o tuberías de gas ocultos, cuyas ubicaciones deben haber sido constatadas con las empresas de servicios públicos correspondientes.
- Use protectores auditivos.** La exposición al ruido puede ocasionar la pérdida de la audición.
- Use los mangos auxiliares que se suministran con la herramienta.** La pérdida del control podría ocasionar lesiones personales. Sujete la herramienta firmemente en todo momento. No intente hacer funcionar esta herramienta sin sostenerla con ambas manos. Si intenta hacerla funcionar con una sola mano, podría perder el control de la herramienta. También podría ser peligroso perforar o encontrar materiales duros, como barras de refuerzo. Ajuste firmemente el mango lateral antes de utilizar la herramienta.
- Utilice abrazaderas u otra forma práctica para asegurar y sostener la pieza de trabajo en una plataforma estable.** Sostener el trabajo con la mano o contra el cuerpo no brinda la estabilidad requerida y puede llevar a la pérdida del control.
- Use lentes de seguridad u otra protección similar para los ojos.** Al martillar se producen astillas. Las partículas volátiles pueden provocar lesiones oculares permanentes. Utilice una máscara para polvo o una mascarilla de respiración en aplicaciones que generen polvo. La mayoría de las aplicaciones pueden requerir protección auditiva.
- Sujete la herramienta firmemente en todo momento. No intente hacer funcionar esta herramienta sin sostenerla con ambas manos.** Se recomienda utilizar el mango lateral en todo momento. Si intenta hacerla funcionar con una sola mano, podría perder el control de la herramienta. También podría ser peligroso perforar o encontrar materiales duros, como barras de refuerzo.
- No haga funcionar esta herramienta durante períodos prolongados.** La vibración que produce la acción de percusión puede ser perjudicial para las manos y los brazos. Use guantes que provean amortiguación extra y limite la exposición tomando descansos frecuentes.
- No reacondicione las brocas usted mismo.** El reacondicionamiento del cincel debe ser realizado por un especialista autorizado. Los cinceles reacondicionados de manera incorrecta pueden provocar lesiones.
- Use guantes cuando utilice la herramienta o cambie las brocas.** Mientras la herramienta se encuentra en funcionamiento, las piezas metálicas accesibles de la misma y las brocas pueden sobrecalentarse. Los trozos pequeños de material roto pueden dañar las manos sin guantes.
- Nunca apoye la herramienta hasta que la broca se haya detenido completamente.** Las brocas en movimiento podrían provocar lesiones.
- No golpee las brocas atascadas con un martillo para desatascarlas.** Los fragmentos de metal o astillas del material podrían desprenderse y provocar lesiones.
- Los cinceles levemente gastados pueden afilarse con una esmeriladora.**
- Mantenga el cable eléctrico alejado de la broca giratoria. No enrosque el cable alrededor de ninguna parte del cuerpo.** Un cable eléctrico enroscado alrededor de una broca giratoria puede provocar lesiones personales y pérdida del control.

NOTA: No sobrecaliente la broca (decoloración) mientras esmerila un borde nuevo. Los cinceles muy gastados deben ser reforjados. No temple ni endurezca nuevamente el cincel.

⚠️ ADVERTENCIA: Use **SIEMPRE** lentes de seguridad. Los anteojos de uso diario **NO** son lentes de seguridad. Utilice también máscaras faciales o para polvo si el corte produce polvillo. UTILICE SIEMPRE EQUIPOS DE SEGURIDAD CERTIFICADOS:

- Protección para los ojos ANSI Z87.1(CAN/CSA Z94.3)
- Protección auditiva según la norma ANSI S12.6 (S3.19)
- Protección respiratoria según las normas NIOSH/OSHA/MSHA.

⚠️ ADVERTENCIA: Algunas partículas originadas al lijar, aserrar, amolar, taladrar y realizar otras actividades de construcción contienen productos químicos que producen cáncer, defectos de nacimiento y otros problemas reproductivos. Algunos ejemplos de estos productos químicos son:

- el plomo de las pinturas de base plomo,
- la sílice cristalina de ladrillos, cemento y otros productos de mampostería, y
- el arsénico y el cromo de la madera con tratamiento químico.

El riesgo derivado de estas exposiciones varía según la frecuencia con la que se realice este tipo de trabajo. Para reducir la exposición a estos productos químicos, se recomienda trabajar en áreas bien ventiladas y usar equipos de seguridad aprobados, como las máscaras para polvo especialmente diseñadas para filtrar las partículas microscópicas.

- Evite el contacto prolongado con las partículas de polvo originadas al lijar, aserrar, esmerilar, taladrar y realizar demás actividades de la construcción. Use indumentaria protectora y lave las áreas expuestas con agua y jabón.** Evite que el polvo entre en la boca y en los ojos o se deposite en la piel, para impedir la absorción de productos químicos nocivos.

⚠️ ADVERTENCIA: El uso de esta herramienta puede generar o dispersar partículas de polvo, que pueden causar lesiones respiratorias permanentes y graves u otras lesiones. Use siempre protección respiratoria apropiada para la exposición al polvo aprobada por el Instituto Nacional de Salud y Seguridad Ocupacional de EE.UU. y la Administración de Salud y Seguridad Ocupacional de EE.UU. (NIOSH y OSHA respectivamente, por sus siglas en inglés). Aleje la cara y el cuerpo del contacto con las partículas.

⚠️ ADVERTENCIA: **Utilice siempre protección para los ojos.** Todos los usuarios y espectadores deben utilizar protección para los ojos conforme con las normas ANSI Z87.1.

⚠️ ADVERTENCIA: **Durante el uso, use siempre protección auditiva adecuada que cumpla con la norma ANSI S12.6 (S3.19).** Bajo ciertas circunstancias y según el período de uso, el ruido producido por este producto puede contribuir a la pérdida de audición..

⚠️ PRECAUCIÓN: **Cuando no se utilice, coloque la herramienta de costado en una superficie estable en la que no provocará tropezones o caídas.** Algunas herramientas con paquetes de baterías grandes permanecerán en forma vertical, pero pueden ser derribadas fácilmente.

• *La etiqueta de su herramienta puede incluir los siguientes símbolos. Los símbolos y sus definiciones son los siguientes:*

V..... voltios	A amperios
Hz..... hertz	W vatios
min minutos	~ corriente alterna
— — — corriente directa	no velocidad sin carga
⚠ Construcción Clase I (con conexión a tierra)	⊕ terminal a tierra
⚡ Construcción Clase II (con aislamiento doble)	▲ /min símbolo de alerta de seguridad revoluciones o reciprocidad por minuto
BPM..... golpes por minuto	

Instrucciones de seguridad importantes para los cargadores de baterías

CONSERVE ESTAS INSTRUCCIONES: Este manual contiene instrucciones importantes de seguridad para los cargadores de baterías.

- Antes de utilizar el cargador, lea todas las instrucciones y las prevenciones en el cargador, en el paquete de baterías y en el producto que utiliza el paquete de baterías.

▲ADVERTENCIA: Peligro de descarga eléctrica. No permita que ningún líquido entre en el cargador.

▲PRECAUCIÓN: Peligro de quemaduras. Para reducir el riesgo de lesiones, cargue sólo baterías DEWALT. Otros tipos de baterías pueden estallar y provocar daños personales y materiales.

▲PRECAUCIÓN: En determinadas condiciones, con el cargador enchufado en el tomacorriente, algunos materiales extraños pueden provocar un cortocircuito en el cargador. Se deben mantener lejos de las cavidades del cargador los materiales extraños de naturaleza conductora, entre los que se incluyen la lana de acero, el papel de aluminio o cualquier acumulación de partículas metálicas. Siempre desenchufe el cargador del tomacorriente cuando no haya un paquete de baterías en la cavidad. Desenchufe el cargador antes de intentar limpiarlo.

- NO intente cargar el paquete de baterías con cargadores distintos de aquéllos mencionados en este manual.** El cargador y el paquete de baterías están específicamente diseñados para funcionar en conjunto.
- Estos cargadores no están diseñados para usos distintos de la carga de baterías recargables de DEWALT.** Otros usos pueden provocar riesgo de incendio, descarga eléctrica o electrocución.
- No exponga el cargador a la lluvia ni a la nieve.**
- Tire del enchufe y no del cable al desconectar el cargador.** Esto reducirá el riesgo de avería en el enchufe y el cable.
- Asegúrese de que el cable esté ubicado de manera que no lo pise, tropiece o esté sujeto a daños o tensiones de alguna otra manera.**
- No utilice un cable prolongador** a menos que sea absolutamente necesario. El uso de un cable prolongador incorrecto puede provocar riesgo de incendio, descarga eléctrica o electrocución.
- El cable prolongador debe tener un tamaño de cable adecuado (AWG o Calibre de conductor de Estados Unidos) para seguridad.** Cuanto más pequeño sea el número de calibre del conductor, mayor será la capacidad del cable; es decir, un calibre 16 tiene más capacidad que un calibre 18. Cuando se utiliza más de una prolongación para lograr la longitud total, asegúrese de que cada prolongación tenga la medida mínima del conductor.
- No coloque objetos en la parte superior del cargador ni coloque el cargador en una superficie blanda que pueda bloquear las ranuras de ventilación y provocar un calor interno excesivo.** Coloque el cargador en una posición alejada de cualquier fuente de calor. El cargador se ventila a través de ranuras en la parte superior e inferior de la unidad.
- No monte el cargador en la pared ni lo instale en forma permanente sobre ninguna superficie.** El cargador está diseñado para ser utilizado sobre una superficie plana y estable (por ej., un banco o una mesa).
- No opere el cargador con un cable o enchufe dañados:** reemplácelos de inmediato.
- No opere el cargador si éste ha recibido un golpe fuerte, se ha caído o presenta algún daño.** Llévelo a un centro de mantenimiento autorizado.
- No desarme el cargador; llévelo a un centro de mantenimiento autorizado cuando requiera mantenimiento o una reparación.** El armado incorrecto puede implicar un riesgo de descarga eléctrica, electrocución o incendio.
- Desconecte el cargador del tomacorriente antes de intentar limpiarlo. Esto reducirá el riesgo de descarga eléctrica.** Quitar el paquete de baterías no reducirá este riesgo.
- NUNCA** intente conectar 2 cargadores juntos.
- El cargador está diseñado para operar con corriente eléctrica doméstica estándar (120 voltios). No intente utilizarlo con ningún otro voltaje.**

CONSERVE ESTAS INSTRUCCIONES

Introducción

El cargador DC9000 está diseñado para cargar paquetes de baterías DEWALT en una hora aproximadamente. Este cargador no requiere regulación y está diseñado para ser usado con facilidad. Sencillamente coloque el paquete de baterías en la cavidad del cargador enchufado y automáticamente el paquete se cargará.

nstrucciones de seguridad importantes para los paquetes de baterías

▲ADVERTENCIA: Para un funcionamiento seguro, lea éste y todos los manuales de instrucciones incluidos con el cargador antes de utilizarlo.

Al solicitar paquetes de baterías de repuesto, asegúrese de incluir el número de catálogo y el voltaje. Consulte el gráfico en la última página de este manual para conocer la compatibilidad entre los cargadores y los paquetes de baterías.

El paquete de baterías incluido en la caja no está completamente cargado. Antes de utilizar el paquete de baterías y el cargador, lea las instrucciones de seguridad a continuación. Luego siga los procedimientos de carga detallados.

LEA TODAS LAS INSTRUCCIONES

- No incinere el paquete de baterías aunque tenga daños importantes o esté completamente desgastado.** El paquete de baterías puede explotar en el fuego. Cuando se queman paquetes de baterías de iones de litio, se generan vapores y materiales tóxicos.
- No cargue ni use la batería en atmósferas explosivas, como ambientes en los que hay líquidos, gases o polvo inflamables.** Insertar o retirar la batería del cargador puede encender el polvo o los vapores.
- Si el contenido de las baterías entra en contacto con la piel, lave el área de inmediato con agua y jabón suave.** Si el líquido de la batería entra en contacto con los ojos, enjuague con agua manteniendo los ojos abiertos durante 15 minutos o hasta que la irritación cese. Si se necesita atención médica, el electrolito de la batería contiene una mezcla de carbonatos orgánicos líquidos y sales de litio.
- El contenido de las células de la batería abierta puede generar irritación respiratoria.** Respire aire fresco. Si los síntomas persisten, busque atención médica.

▲ADVERTENCIA: Peligro de quemaduras. El líquido de la batería puede encenderse si se expone a chispas o llamas.

- Cargue los paquetes de baterías sólo con cargadores DEWALT.
- NO** salpique ni sumerja en agua u otros líquidos.
- No almacene ni utilice la herramienta y el paquete de baterías en lugares en los que la temperatura puede llegar a o superar los 40 °C (105 °F) (como en toldos al aire libre o construcciones de metal en verano).**

▲ADVERTENCIA: Nunca intente abrir el paquete de baterías por ningún motivo. Si la caja del paquete de baterías está agrietada o dañada, no la introduzca en el cargador. No comprima, deje caer ni dañe el paquete de baterías. No utilice un paquete de baterías o un cargador que haya recibido un golpe fuerte, o que se haya caído, que esté agotado o dañado de alguna forma (por ejemplo, perforado con un clavo, golpeado con un martillo, pisado). Los paquetes de baterías dañados deben devolverse al centro de mantenimiento para su reciclado.

▲ADVERTENCIA: Peligro de incendio. No guarde o transporte la batería de ninguna manera que permita que los terminales expuestos de la batería entren en contacto con objetos metálicos. Por ejemplo, no coloque la batería en delantales, bolsillos, cajas de herramientas, cajas de juegos de productos, cajones, etc. con clavos, llaves, tornillos sueltos, etc. **Transportar las baterías puede provocar incendios si los terminales de la batería entran en contacto accidentalmente con materiales conductores como llaves, monedas, herramientas de mano u objetos similares.** Las Normas para Materiales Peligrosos del Departamento de Transporte de los Estados Unidos (HMR) prohíben concretamente transportar baterías con fines comerciales o en aviones (es decir, empacadas en maletas y equipaje de mano) A MENOS que estén debidamente protegidas contra cortocircuitos. Por lo tanto, cuando transporte baterías individuales, asegúrese de que los terminales de éstas estén protegidos y bien aislados de materiales con los que puedan hacer contacto y causar un cortocircuito.

El sello RBRC™

El sello RBRC™ (Corporación de reciclado de baterías recargables) que se encuentra sobre la batería de iones de litio (o paquete de baterías) indica que los costos para reciclar la batería (o el paquete de baterías) al final de su vida útil ya fueron pagados por DEWALT.

La RBRC, en cooperación con DEWALT y otros usuarios de baterías, ha establecido programas en los Estados Unidos para facilitar la recolección de baterías de iones de litio ya usadas. Ayude a proteger nuestro medio ambiente y a conservar los recursos naturales: devuelva las baterías de iones de litio usadas a un centro de mantenimiento autorizado DEWALT o a un comerciante minorista para que sean recicladas. También puede comunicarse con el centro de reciclado local para obtener información sobre dónde dejar las baterías agotadas.

RBRC™ es una marca comercial registrada de la Corporación de reciclado de baterías recargables.

Recomendaciones para el almacenamiento

- El mejor lugar de almacenamiento es un lugar fresco y seco, fuera de la luz solar directa y de un exceso de calor o frío.
- El almacenamiento prolongado no dañará el paquete de baterías ni el cargador. En condiciones adecuadas, pueden ser almacenados durante 5 años o más.

Cargador

El paquete de baterías debe cargarse durante 1 hora en el cargador DEWALT Asegúrese de leer todas las instrucciones de seguridad antes de utilizar el cargador. Consulte el gráfico en la última página de este manual para conocer la compatibilidad entre los cargadores y los paquetes de baterías.

Procedimiento de carga

- Enchufe el cargador en un tomacorriente adecuado antes de insertar el paquete de baterías.
- Introduzca el paquete de baterías en el cargador. El cargador viene equipado con un indicador de combustible con tres luces que titilarán según el estado de la carga del paquete de baterías.

- Las tres luces rojas encendidas en forma continua indicarán que la carga ha finalizado. El paquete está completamente cargado y puede utilizarse en este momento o dejarse en el cargador.

	de 0% a 33%	la 1º luz titila
	de 33% a 66%	la 1º luz permanece encendida y la 2º luz titila
	de 66% a 99%	la 1º y la 2º luz permanecen encendidas y la 3º titila
	al 100%	la 1º, la 2º y la 3º luz permanecen encendidas

Diagnósticos del cargador

El cargador está diseñado para detectar ciertos problemas que pueden surgir con los paquetes de baterías o el cargador. Los problemas se indican mediante la titilación conjunta de las tres luces rojas en distintos patrones.

LÍNEA DE POTENCIA CON PROBLEMAS

Cuando se utiliza con algunas fuentes de energía portátiles como generadores o fuentes que convierten CD a CA, el cargador puede suspender temporalmente la operación. Las tres luces rojas titilarán en forma conjunta con **dos parpadeos rápidos seguidos de una pausa**. Esto indica que la fuente de energía está fuera de los límites.

BATERÍA AVERIADA

El cargador puede detectar una batería agotada o dañada. Las tres luces rojas titilarán en forma conjunta con **un parpadeo rápido**. La batería no volverá a cargar y debe devolverse a un centro de mantenimiento u otro sitio de recopilación para su reciclado.

CARGADOR AVERIADO

El cargador detectará si no está funcionando adecuadamente. Las tres luces rojas titilarán en forma conjunta con **un parpadeo rápido seguido de un parpadeo largo**. El cargador no volverá a funcionar y debe devolverse a un centro de mantenimiento u otro sitio de recopilación para su reciclado.

DEJAR LA BATERÍA EN EL CARGADOR

El cargador y el paquete de baterías se pueden dejar conectados con la luz roja encendida indefinidamente. El cargador mantendrá el paquete de baterías como nuevo y completamente cargado. Este cargador posee un modo de sintonización automático que iguala o equilibra las células individuales del paquete de baterías para que funcione al máximo de su capacidad. Los paquetes de baterías deben ajustarse semanalmente o siempre que la batería no suministre la misma cantidad de potencia. Para utilizar el modo de sintonización, coloque el paquete de baterías en el cargador y déjelo como mínimo durante 8 horas.

Notas importantes sobre la carga

- Obtendrá una duración más prolongada y un mejor rendimiento si el paquete de baterías se carga cuando la temperatura ambiental está entre 18 °C y 24 °C (65 °F y 75 °F). NO cargue el paquete de batería con una temperatura ambiental por debajo de +4,5 °C (+40 °F) o por encima de +40,5 °C (+105 °F). Esto es importante y evitará daños graves en el paquete de baterías.
- El cargador y el paquete de baterías pueden estar calientes al tacto durante la carga. Ésta es una condición normal y no indica un problema. Para facilitar el enfriado del paquete de baterías después de su uso, evite colocar el cargador o el paquete de baterías en un ambiente cálido, como debajo de un toldo de metal o en un remolque sin aislamiento.
- Si el paquete de baterías no se carga adecuadamente:
 - Revise el tomacorriente enchufando una lámpara u otro aparato
 - Verifique si el tomacorriente está conectado a un interruptor que corta la energía cuando usted apaga la luz.
 - Mueva el cargador y el paquete de baterías a un lugar donde la temperatura ambiental sea de aproximadamente 18 °C a 24 °C (65 °F a 75 °F).
 - Si los problemas de carga persisten, lleve la herramienta, el paquete de baterías y el cargador al centro de mantenimiento local.
- Cuando el paquete de baterías no produce energía suficiente para las tareas que previamente realizaba con facilidad, se debe recargar. NO CONTINÚE con el uso en estas condiciones. Siga el procedimiento de carga. También se puede cargar un paquete de baterías parcialmente usado cuando se desee, sin ningún efecto negativo sobre éstas.
- Se deben mantener lejos de las cavidades del cargador los materiales extraños de naturaleza conductora entre los que se incluyen, si bien no de manera taxativa, la lana de acero, el papel de aluminio o cualquier acumulación de partículas metálicas. Siempre desenchufe el cargador del tomacorriente cuando no haya un paquete de baterías en la cavidad. Desenchufe el cargador antes de intentar limpiarlo.
- No congele ni sumerja el cargador en agua ni en ningún otro líquido.

▲ADVERTENCIA: Peligro de descarga eléctrica. No permita que ningún líquido entre en el cargador.

▲PRECAUCIÓN: Nunca intente abrir el paquete de baterías por ningún motivo. Si la caja protectora de plástico del paquete de baterías se rompe o agrieta, devuélvala a un centro de mantenimiento para su reciclado.

Motor

Su herramienta DEWALT está alimentada por un motor DEWALT. Asegúrese de que la fuente de energía concuerde con lo que se indica en la placa.

Un descenso en el voltaje de más del 10% producirá una pérdida de potencia y sobrecalentamiento. Todas las herramientas DEWALT se prueban en fábrica; si esta herramienta no funciona, revise su paquete de baterías

COMPONENTES (FIG. 1)

- A. Mango lateral
- B. Interruptor disparador
- C. Botón de control de avance/reversa (Botón bloqueador)
- D. Selector de modos
- E. Mango principal

Mango lateral (Fig. 1)

▲PRECAUCIÓN: *Opere siempre la herramienta con el mango lateral montado correctamente. Sostenga la herramienta con ambas manos para máximo control.*

El mango lateral se fija al frente del cilindro (anillo) y puede girarse 360° para utilizarlo tanto con la mano derecha como con la izquierda. Ajuste el mango lateral girando la parte plástica de color negro del mango lateral en sentido de las agujas del reloj. El mango lateral debe estar lo suficientemente ajustado como para resistir la acción de torsión de la herramienta si el accesorio se atasca o pierde sustentación. Asegúrese de agarrar el mango lateral del extremo para controlar la herramienta si pierde sustentación. Para aflojar el mango lateral, gírelo en sentido contrario a las agujas del reloj.

Interruptor (Fig. 1)

Para encender la herramienta, oprima el interruptor disparador (B). Para apagar la herramienta, suelte el interruptor disparador. La herramienta está equipada con un freno. El portabrocas se detendrá cuando suelte completamente el interruptor disparador.

INTERRUPTOR DE VELOCIDAD VARIABLE

El interruptor de velocidad variable le permite seleccionar la mejor velocidad para una aplicación en particular. Cuanto mayor sea la presión sobre el disparador, más rápido será el funcionamiento de la herramienta. Para una máxima duración de la herramienta, utilice la velocidad variable sólo para orificios y sujetadores de arranque.

NOTA: No se recomienda el uso continuo de la velocidad variable. Puede dañar el interruptor y debe evitarse.

Selector de modos (Fig. 1)

▲PRECAUCIÓN: *Nunca cambie el modo mientras la unidad esté funcionando.*

Para taladrar en forma recta, gire el selector de modos (D) hasta que la flecha señale el símbolo de la broca para taladro (F). Para rotomartillos, alinee la flecha con el símbolo del martillo (G). Para el modo cincel alinee la flecha con el símbolo del cincel (H).

NOTA: El selector de modos (D) debe estar en el modo de taladro, modo de martillo o modo de cincel en todo momento. No hay posiciones de operación intermedias.

Botón de control de avance/reversa (Fig. 2)

El botón de control de avance/reversa (C) determina la dirección y también sirve como botón bloqueador

Para seleccionar la rotación de avance, libere el interruptor disparador (B) y oprima el botón de control de avance/reversa que se encuentra en el costado derecho de la herramienta.

Para seleccionar la rotación de reversa, oprima el botón de control de avance/reversa que se encuentra en el costado izquierdo de la herramienta.

La posición central del botón de control bloquea la herramienta en la posición de apagado. Al cambiar la posición del botón de control, asegúrese de que el disparador esté liberado.

NOTA: La primera vez que haga funcionar la herramienta luego de cambiar la dirección de la rotación tal vez escuche un “clic” al encenderla. Esto es normal y no indica un problema

FUNCIONAMIENTO

▲ADVERTENCIA: *Para reducir el riesgo de lesiones personales graves, apague la herramienta y desconéctela de la fuente de alimentación antes de realizar ajustes o de retirar o instalar cualquier dispositivo o accesorio.*

Instalación y extracción del paquete de baterías (Fig. 3)

NOTA: Asegúrese de que el paquete de baterías esté completamente cargado.

▲PRECAUCIÓN: *Asegúrese de que el botón de bloqueo del interruptor (C) esté trabado para evitar que el interruptor se accione antes de extraer o instalar la batería.*

Para instalar el paquete de baterías en el mango de la herramienta, alinee los rieles dentro del mango de la herramienta y deslice el paquete de baterías en el mango con firmeza hasta que escuche que la traba haya calzado en su lugar.

Para retirar el paquete de baterías de la herramienta, presione el botón de liberación (I) y empuje con firmeza el paquete de baterías hacia afuera del mango de la herramienta. Introdúzcalo en el cargador de la forma que se describe en la sección relativa al cargador de este manual.

NOTA: La temperatura de operación de esta herramienta es -7 a +40° C (19° a 104° F). Esta herramienta tendrá una vida útil más corta si se usa fuera del rango de temperatura indicado.

SHOCKS™ – Control activo de vibración

▲ADVERTENCIA: *Para reducir el riesgo de lesiones personales graves, apague la herramienta y desconéctela de la fuente de alimentación antes de realizar ajustes o de retirar o instalar cualquier dispositivo o accesorio.*

Para un mejor control de la vibración, sostenga la herramienta con una mano en el mango principal (E) y la otra en el mango lateral (A). Aplique sólo la presión necesaria para que el martillo esté a media carrera aproximadamente. El martillo sólo necesita la presión suficiente para activar el control activo interno de vibración. Si se aplica demasiada presión, la herramienta no taladrará más rápido y no se activará el control activo de vibración.

