

If you have questions or comments, contact us.
 Pour toute question ou tout commentaire, nous contacter.
 Si tiene dudas o comentarios, contáctenos.

1-800-4-DEWALT • WWW.DEWALT.COM

INSTRUCTION MANUAL
 GUIDE D'UTILISATION
 MANUAL DE INSTRUCCIONES

INSTRUCTIVO DE OPERACIÓN, CENTROS DE SERVICIO
 Y PÓLIZA DE GARANTÍA. ADVERTENCIA: LEASE ESTE
 INSTRUCTIVO ANTES DE USAR EL PRODUCTO.

DEWALT®

DC020

Heavy-Duty Cordless/Corded Worklight
 Lampe de travail industrielle avec/sans fil
 Reflector Inalámbrico/Con Cable de Alimentación para Trabajo Pesado

DEWALT Industrial Tool Co., 701 East Joppa Road, Baltimore, MD 21286
 (JUN08) Part No. N009287 DC020 Copyright © 2008 DEWALT

The following are trademarks for one or more DEWALT power tools: the yellow and black color scheme; the "D" shaped air intake grill; the array of pyramids on the handgrip; the kit box configuration; and the array of lozenge-shaped humps on the surface of the tool.

Definitions: Safety Guidelines

The definitions below describe the level of severity for each signal word. Please read the manual and pay attention to these symbols.

▲ DANGER: Indicates an imminently hazardous situation which, if not avoided, **will** result in **death or serious injury**.

▲ WARNING: Indicates a potentially hazardous situation which, if not avoided, **could** result in **death or serious injury**.

▲ CAUTION: Indicates a potentially hazardous situation which, if not avoided, **may** result in **minor or moderate injury**.

CAUTION: Used without the safety alert symbol indicates a potentially hazardous situation which, if not avoided, **may** result in **property damage**.

IF YOU HAVE ANY QUESTIONS OR COMMENTS ABOUT THIS OR ANY DEWALT TOOL, CALL US TOLL FREE AT: 1-800-4-DEWALT (1-800-433-9258)

Important Safety Instructions

▲ WARNING! When using the DC020 worklight, basic precautions should always be followed, including the following:

- Read all the instructions before using the DC020 worklight.
- To reduce the risk of injury, close supervision is necessary when a worklight is used near children.
- Do not use outdoors.
- To disconnect, turn all controls to the off ("O") position, then remove plug from outlet.
- Do not unplug by pulling on cord. To unplug, grasp the plug, not the cord.
- Unplug from outlet when not in use and before servicing or cleaning.
- Do not operate any worklight with a damaged cord or plug, or after the worklight malfunctions or is dropped or damaged in any manner. Return worklight to the nearest authorized service facility for examination, repair, or electrical or mechanical adjustment.
- To reduce the risk of electrical shock, do not put worklight in water or other liquid. Do not place or store worklight where it can fall or be pulled into a tub or sink.
- Always unplug before replacing the bulb. Replace bulb with same type rated 38 Watts.
- Connect to a properly grounded outlet. Refer to **Grounding Instructions**.

SAVE THESE INSTRUCTIONS

Safety Rules for Worklights

▲ WARNING: Burn hazard. Do not operate worklight or charger near flammable liquids or in gaseous or explosive atmospheres. Internal sparks may ignite fumes causing personal injury.

▲ WARNING: Shock hazard. Remove battery pack before replacing the fluorescent bulb.

- Vision may be impaired when looking directly into fluorescent light.
- Do not expose worklight to wet or damp areas. Use only in a dry locations. Do not allow any liquid to get inside worklight. Do not submerge worklight in any liquid.
- The worklight is intended for household and commercial use.
- Do not operate without lens cover assembly attached.
- Before using battery and charger, read all instructions and cautionary markings on charger, battery pack, and product using battery pack.
- DO NOT attempt to charge the battery pack with any chargers other than the ones in this manual. The worklight and battery pack are specifically designed to work together.
- Pull by plug rather than cord when disconnecting worklight. This will reduce risk of damage to electric plug and cord.
- Make sure cord is located so that it will not be stepped on, tripped over, or otherwise subjected to damage or stress.

- Do not use an extension cord unless it is absolutely necessary. Use of an improper extension cord could result in risk of fire, electric shock, or electrocution.
- An extension cord must have adequate wire size (AWG or American Wire Gauge) for safety. The smaller the gauge number of the wire, the greater the capacity of the cable, that is 16 gauge has more capacity than 18 gauge. When using more than one extension to make up the total length, be sure each individual extension contains at least the minimum wire size.
- Place the worklight in a position away from any heat source.
- Do not operate worklight with a damaged cord or plug — have them replaced immediately.
- Do not operate the worklight if it has received a sharp blow, been dropped, or otherwise damaged in any way. Take it to an authorized service center.
- Do not disassemble worklight. Take it to an authorized service center when service or repair is required. Incorrect reassembly may result in a risk of electric shock, electrocution or fire.
- Disconnect the worklight from the outlet before attempting any cleaning. This will reduce the risk of electric shock. Removing the battery pack will not reduce this risk.
- This worklight is designed to operate on 120 Volts, 60 Hz AC. It also operates on direct current (DC) through a fully charged battery pack. Do not use any other voltage.

▲ WARNING: This product contains chemicals known to the State of California to cause cancer, birth defects, and other reproductive harm. Recycle or dispose of light bulb in accordance with applicable state regulations. If light bulb breaks, thoroughly wash hands and any other surface contacted.

The label on your worklight may include the following symbols. The symbols and their definitions are as follows:

| | |
|---|---------------------------------------|
| V..... volts | A..... amperes |
| Hz..... hertz | W..... watts |
| min minutes | ~ alternating current |
| — direct current | ⌚ alternating or direct current |
| Ⓛ Class I Construction (grounded) | no no load speed |
| Ⓜ Class II Construction (double insulated) | Ⓧ earthing terminal |
| .../min per minute | ▲ safety alert symbol |
| F..... fahrenheit temp. | BPM..... beats per minute |
| | RPM revolutions per minute |
| | C..... celsius temp. |

SAVE THESE INSTRUCTIONS

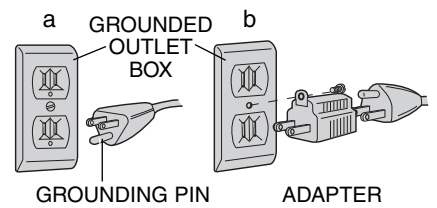
Grounding Instructions

The DC020 worklight must be grounded. In the event of malfunction or breakdown, grounding provides a path of least resistance for electric current to reduce the risk of electric shock. The worklight is equipped with a cord having an equipment-grounding conductor and a grounding plug. The plug must be plugged into an appropriate outlet that is properly installed and grounded in accordance with all local codes and ordinances.

▲ DANGER: Improper connection of the equipment grounding conductor can result in a risk of electric shock. The conductor with insulation having an outer surface that is green with or without yellow stripes is the equipment grounding conductor. If repair or replacement of the cord or plug is necessary, do not connect the equipment-grounding conductor to a live terminal. Check with a qualified electrician or serviceman if the grounding instructions are not completely understood, or if in doubt as to whether the worklight is properly grounded. Do not modify the plug provided with the worklight — if it will not fit the outlet, have a proper outlet installed by a qualified electrician.

FOR GROUNDED, CORD-CONNECTED WORKLIGHTS RATED LESS THAN 15A AND INTENDED FOR USE ON A NOMINAL 120V SUPPLY CIRCUIT

The worklight is for use on a nominal 120V circuit, and has a grounding plug that looks like the plug illustrated in sketch a. A temporary adaptor, which looks like the adaptor illustrated in sketch b, may be used to connect this plug to a 2-pole receptacle as shown in sketch b if a properly grounded outlet is not available. The temporary adaptor should be used only until a properly grounded outlet can be installed by a qualified electrician. The green colored rigid ear, lug, and the like, extending from the adaptor must be connected to a permanent ground such as a properly grounded outlet box cover. Whenever the adaptor is used, it must be held in place by the metal screw.



Use of Extension Cords

Only use grounded extension cords that are rated for outdoor use and equipment with a third-wire ground.

When a long extension cord is used to connect a worklight or tool, a voltage drop occurs. The longer the cord, the greater the voltage drop. This results in less voltage being supplied to the worklight or tool and increases the amount of current (amp) draw or reduces performance. A heavier cord with a larger wire size will reduce the voltage drop. Be sure to choose a cord that will supply enough voltage to operate your tool or worklight. The tables below indicate appropriate gauge for extension cords and the voltage drop caused by the use of extension cords, given different electrical loads.

▲ WARNING: Keep electrical cords in good condition. Do not use worn, bare, or frayed cords because they can cause electrical shock.

▲ WARNING: Operating equipment at low voltage can cause it to overheat. Using an excessively long extension cord can cause the cord to overheat.

MINIMUM GAUGE FOR EXTENSION CORD SETS

| Volts | Total Length of Cord in Feet | | | |
|-------|------------------------------|--------|---------|---------|
| 120V | 0–25 | 26–50 | 51–100 | 101–150 |
| 240V | 0–50 | 51–100 | 101–200 | 201–300 |

| Ampere Rating | AWG | | | |
|---------------|-----|----|----|-----------------|
| 0–10 (A) | 16 | 16 | 14 | 14 |
| 10–13 (A) | 16 | 16 | 14 | 12 |
| 13–16 (A) | 14 | 14 | 12 | 12 |
| 16–25 (A) | 12 | 12 | 12 | 10 |
| 25–30 (A) | 10 | 10 | 10 | Not Recommended |

| Extension Cord Length | Amp Load | Voltage Drop | | | |
|-----------------------|----------|--------------|--------|--------|--------|
| | | 16 AWG | 14 AWG | 12 AWG | 10 AWG |
| 25 Foot | 10A | 2.0 | 1.3 | 0.8 | 0.5 |
| | 15A | 3.0 | 1.9 | 1.2 | 0.8 |
| | 20A | 4.0 | 2.5 | 1.6 | 1.1 |
| | 30A | 6.0 | 3.8 | 2.3 | 1.6 |
| 50 Foot | 10A | 4.0 | 2.5 | 1.6 | 1.1 |
| | 15A | 6.0 | 3.8 | 2.3 | 1.6 |
| | 20A | 8.0 | 5.0 | 3.1 | 2.1 |
| | 30A | 12.0 | 7.5 | 4.7 | 3.2 |
| 100 Foot | 10A | 8.0 | 5.0 | 3.1 | 2.1 |
| | 15A | 12.0 | 7.5 | 4.7 | 3.2 |
| | 20A | 16.0 | 10.0 | 6.2 | 4.2 |
| | 30A | 24.0 | 15.0 | 9.3 | 6.3 |
| 150 Foot | 10A | 12.0 | 7.5 | 4.7 | 3.2 |
| | 15A | 18.0 | 11.3 | 7.0 | 4.7 |
| | 20A | 24.0 | 15.0 | 9.3 | 6.3 |
| | 30A | 36.0 | 22.5 | 14.0 | 9.5 |

Important Safety Instructions for Battery Packs

The DC020 will provide light using 12–18 Volt DEWALT nickel cadmium, nickel metal hydride and lithium ion battery packs.

When ordering replacement battery packs, be sure to include catalog number and voltage. Extended Run-Time battery packs deliver more run-time than standard battery packs. Consult the chart in this manual for compatibility of chargers and battery packs.

The battery pack is not fully charged out of the carton. Before using the battery pack and worklight, read the safety instructions below. Then follow charging procedures outlined.

READ ALL INSTRUCTIONS

- Charge the battery packs only in DEWALT chargers.
- DO NOT splash or immerse in water or other liquids.

- **Do not store or use the tool and battery pack in locations where the temperature may reach or exceed 105°F (such as outside sheds or metal buildings in summer).**

⚠ DANGER: Electrocution hazard. Never attempt to open the battery pack for any reason. If battery pack case is cracked or damaged, do not insert into charger. Electric shock or electrocution may result. Damaged battery packs should be returned to service center for recycling.

NOTE: Battery storage and carrying caps are provided for use whenever the battery is out of the tool or charger. Remove cap before placing battery in charger or tool.

⚠ WARNING: Fire hazard. Do not store or carry battery so that metal objects can contact exposed battery terminals. For example, do not place battery in aprons, pockets, tool boxes, product kit boxes, drawers, etc., with loose nails, screws, keys, etc. without battery cap. **Transporting batteries can possibly cause fires if the battery terminals inadvertently come in contact with conductive materials such as keys, coins, hand tools and the like.** The US Department of Transportation Hazardous Material Regulations (HMR) actually prohibit transporting batteries in commerce or on airplanes (i.e., packed in suitcases and carry-on luggage) UNLESS they are properly protected from short circuits. So when transporting individual batteries, make sure that the battery terminals are protected and well insulated from materials that could contact them and cause a short circuit.

SPECIFIC SAFETY INSTRUCTIONS FOR NICKEL CADMIUM (NiCd) OR NICKEL METAL HYDRIDE (NiMH)

- **Do not incinerate the battery pack even if it is severely damaged or is completely worn out.** The battery pack can explode in a fire.
- **A small leakage of liquid from the battery pack cells may occur under extreme usage or temperature conditions.** This does not indicate a failure.

However, if the outer seal is broken:

- a. and the battery liquid gets on your skin, immediately wash with soap and water for several minutes.
- b. and the battery liquid gets into your eyes, flush them with clean water for a minimum of 10 minutes and seek immediate medical attention. (**Medical note:** The liquid is 25-35% solution of potassium hydroxide.)

SPECIFIC SAFETY INSTRUCTIONS FOR LITHIUM ION (LI-ION)

- **Do not incinerate the battery pack even if it is severely damaged or is completely worn out.** The battery pack can explode in a fire. Toxic fumes and materials are created when lithium ion battery packs are burned.
- **If battery contents come into contact with the skin, immediately wash area with mild soap and water.** If battery liquid gets into the eye, rinse water over the open eye for 15 minutes or until irritation ceases. If medical attention is needed, the battery electrolyte is composed of a mixture of liquid organic carbonates and lithium salts.
- **Contents of opened battery cells may cause respiratory irritation.** Provide fresh air. If symptoms persists, seek medical attention.

⚠ WARNING: Burn hazard. Battery liquid may be flammable if exposed to spark or flame.

The RBRC™ Seal

The RBRC™ (Rechargeable Battery Recycling Corporation) Seal on the nickel cadmium, nickel metal hydride or lithium ion batteries (or battery packs) indicate that the costs to recycle these batteries (or battery packs) at the end of their useful life have already been paid by DEWALT. In some areas, it is illegal to place spent nickel cadmium, nickel metal hydride or lithium ion batteries in the trash or municipal solid waste stream and the RBRC program provides an environmentally conscious alternative.



RBRC™ in cooperation with DEWALT and other battery users, has established programs in the United States and Canada to facilitate the collection of spent nickel cadmium, nickel metal hydride or lithium ion batteries. Help protect our environment and conserve natural resources by returning the spent nickel cadmium and nickel metal hydride or lithium ion batteries to an authorized DEWALT service center or to your local retailer for recycling. You may also contact your local recycling center for information on where to drop off the spent battery. RBRC™ is a registered trademark of the Rechargeable Battery Recycling Corporation.

COMPONENTS (Fig. 1)

- | | |
|-----------------------|----------------------|
| A. ON/OFF switch | H. Fluorescent bulb |
| B. Handle | I. Lens cover |
| C. Battery port | J. Worklight housing |
| D. AC outlets | K. Support arm |
| E. Power cord | L. Rubber gasket |
| F. Built-in cord wrap | M. Bulb guard |
| G. Battery hold-down | |

OPERATION

AC Operation

1. Unwrap power cord and plug into a 120 V AC wall outlet.
2. The two sockets are now active and can be used.

NOTE: The two sockets are only active during AC use.

Battery Operation (Fig. 2)

1. Place the folded up DC020 on a stable, level surface, lens cover (I) side down.
2. Lift the battery hold-down (G) with one hand and insert the battery pack into the battery port (C). Slowly place the battery hold-down on battery pack to hold the battery pack firmly.
3. With one hand securely holding the handle (B), use the other hand to lift the worklight housing (J).

Usage (Fig. 1, 3)

1. Place the folded up DC020 on a stable, level surface.
2. The worklight housing can be positioned in different positions. With one hand securely holding the handle (B), use the other hand to lift the support arm (K) to one of the five positions shown.
3. Position the worklight as desired. Press the ON/OFF switch (A) to ON.

When finished using the worklight, turn the ON/OFF switch to OFF, fold the worklight housing down to the flat position for storage.

Replacing the Fluorescent Bulb (Fig. 1, 4)

⚠ WARNING: Shock Hazard. Disconnect battery pack and unplug tool before replacing the fluorescent bulb. Such preventative safety measures reduce the risk of personal injury.

⚠ CAUTION: Vision may be impaired when looking directly into fluorescent light.

⚠ CAUTION: Cut hazard. If replacing a broken bulb, protect your hands before attempting to remove the bulb. Do not remove any pieces of broken glass or bulb from the socket area with bare hands, or personal injury may occur.

To change the fluorescent bulb, the worklight housing must be in an upward position as shown in Figure 1.

CAUTION: To avoid damage to the worklight, **DO NOT** separate the rubber gasket from the lens cover. The rubber gasket is permanently attached.

NOTE: Recommended replacement bulb is the DEWALT DC0213 38W fluorescent bulb.

NOTE: Avoid touching the reflective surface. Surface contamination will decrease reflectivity.

1. With one hand securing the bottom corner of the worklight housing (J) and lens cover (I), use the other hand to roll back the rubber gasket (L) from the worklight housing starting at one of the bottom corners.
2. Still securely holding the worklight housing roll back the rubber gasket from all sides of the housing, finishing at the top.
3. Remove the rubber gasket (L) and lens cover (I) and set aside.
4. With one hand securing the bottom corner of the worklight housing, use the other hand to remove the bulb guard (M). Gently squeeze the sides of the bulb guard with the thumb and index finger to release it from the clips. Set the bulb guard aside.
5. Secure the bottom corner of the worklight housing with one hand. Use the other hand to firmly grasp the fluorescent bulb (H) at the center and hold onto the white plastic housing under the bulb guard. While still securing the bottom corner, gently remove the bulb from the worklight housing as shown. Ensure that the socket and area around the socket is free of dirt, dust and other contaminants.
6. Align the replacement fluorescent bulb in the same orientation as the previous bulb. Secure the bottom corner of the worklight housing with one hand. Using the other hand, carefully press on the center of the bulb's plastic housing to secure it in place.
7. Once the replacement bulb is in place, gently press the center of the bulb's plastic housing to ensure it is connected properly. Replace the bulb guard by clipping it to the worklight housing.

FIG 1

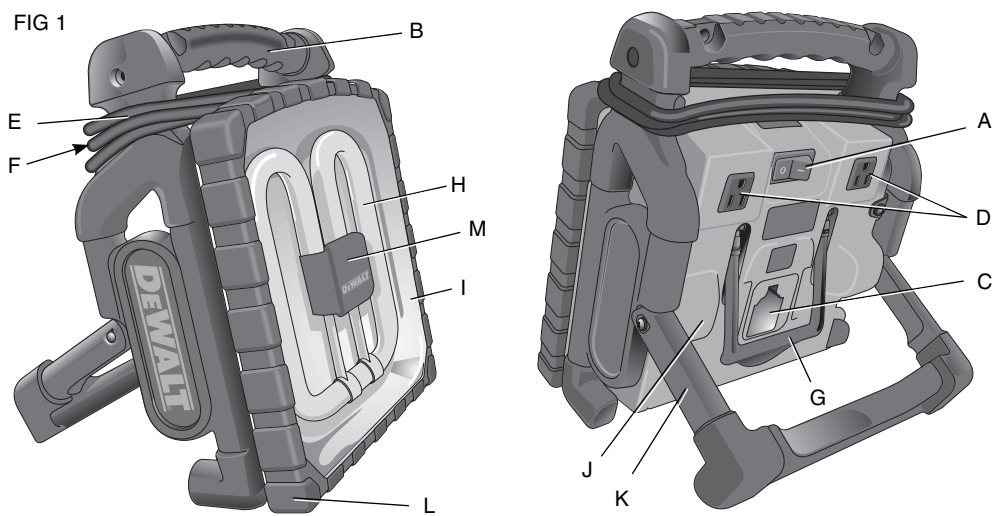


FIG 2

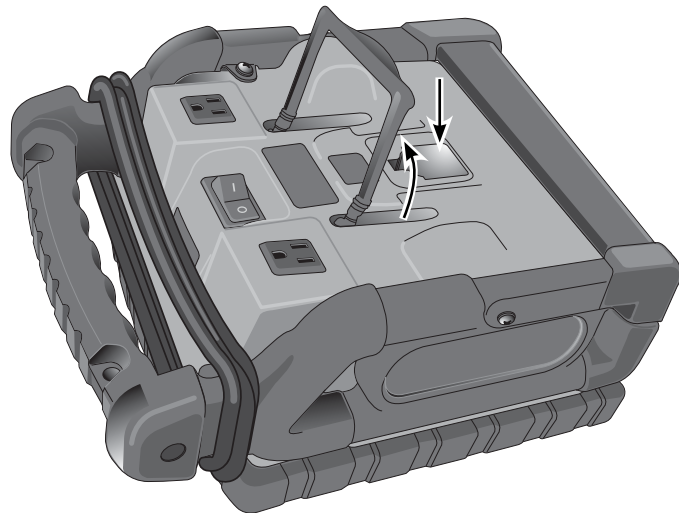


FIG 3

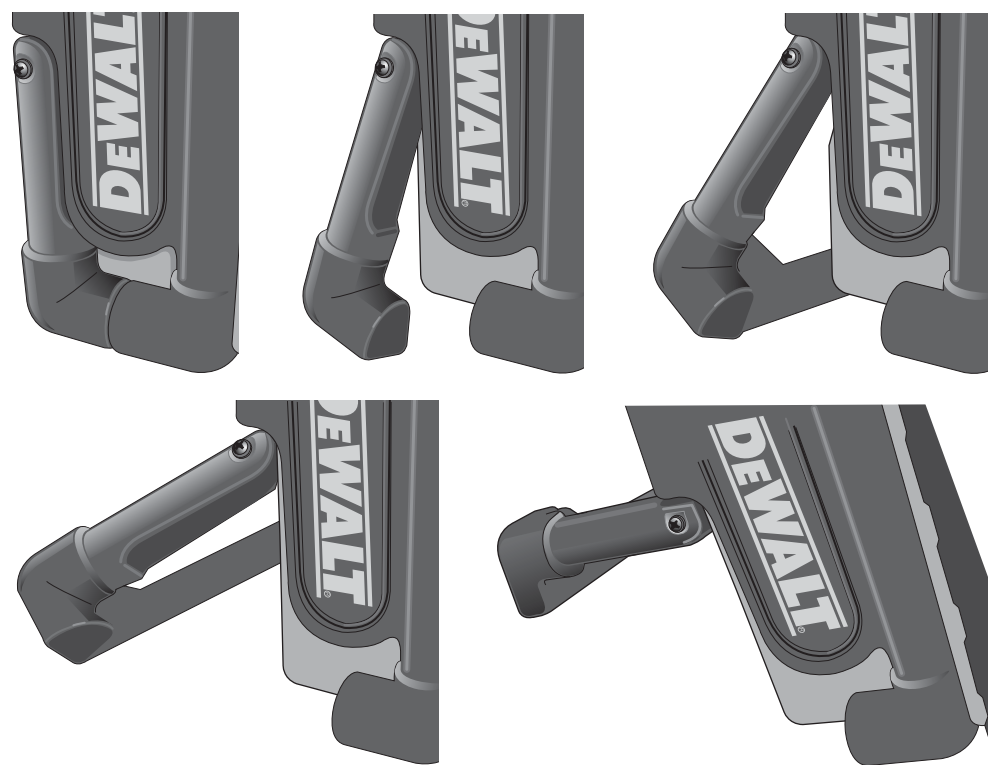
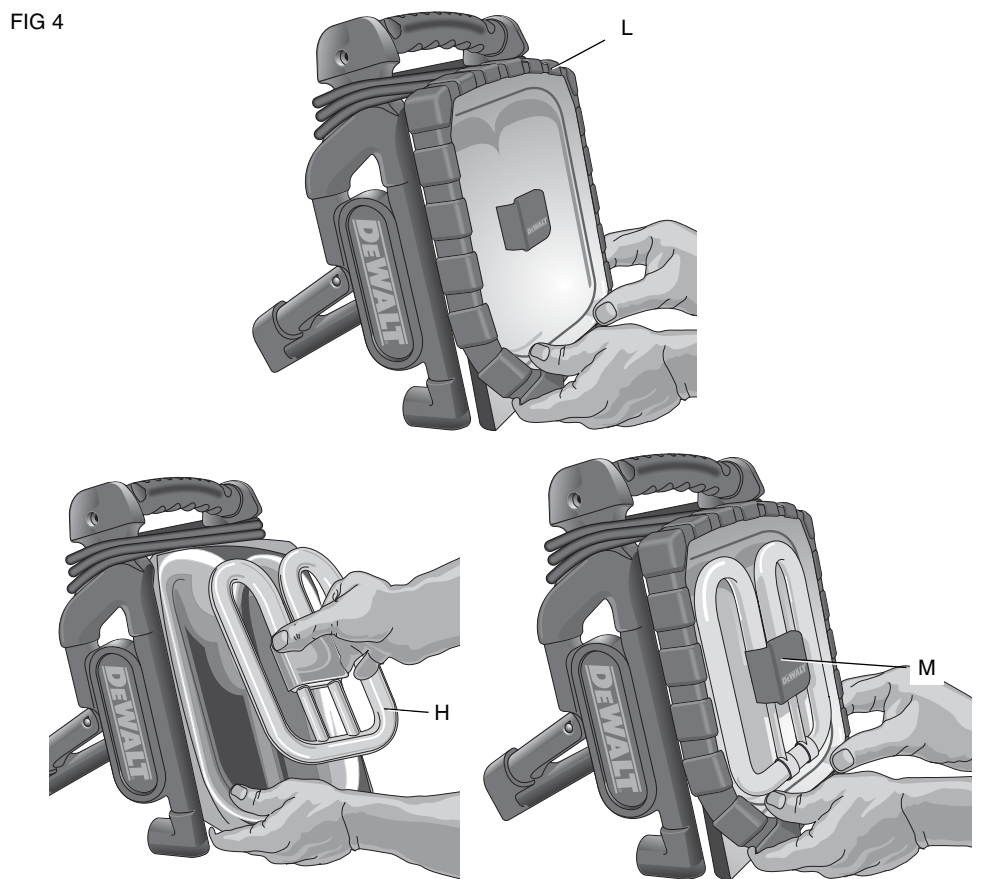


FIG 4



8. Replace the lens cover. Place the rubber gasket in one of the top corners and roll the gasket onto the other top corner, finishing on a bottom. Ensure the rubber gasket is firmly in place around the worklight housing.

MAINTENANCE

Service Notes

This product is not user serviceable. Other than the replacement bulb, there are no user serviceable parts inside the worklight. Servicing at an authorized service center is required to avoid damage to static sensitive internal components.

Cleaning

⚠ WARNING: Remove the battery pack and disconnect worklight from the AC outlet before cleaning. Never use solvents or other harsh chemicals for cleaning the non-metallic parts of the tool. These chemicals may weaken the non-metallic materials used in these parts. Use a cloth dampened only with water and mild soap or soft non-metallic brush. Never let any liquid get inside the worklight; never immerse any part of the worklight into a liquid.

Repairs

To assure product SAFETY and RELIABILITY, repairs, maintenance and adjustments (including brush inspection and replacement) should be performed by a DEWALT factory service center, a DEWALT authorized service center or other qualified service personnel. Always use identical replacement parts.

Three Year Limited Warranty

DEWALT will repair, without charge, any defects due to faulty materials or workmanship for three years from the date of purchase. This warranty does not cover part failure due to normal wear or tool abuse. For further detail of warranty coverage and warranty repair information, visit www.DEWALT.com or call 1-800-4-DEWALT (1-800-433-9258). This warranty does not apply to accessories or damage caused where repairs have been made or attempted by others. This warranty gives you specific legal rights and you may have other rights which vary in certain states or provinces.

In addition to the warranty, DEWALT tools are covered by our:

1 YEAR FREE SERVICE

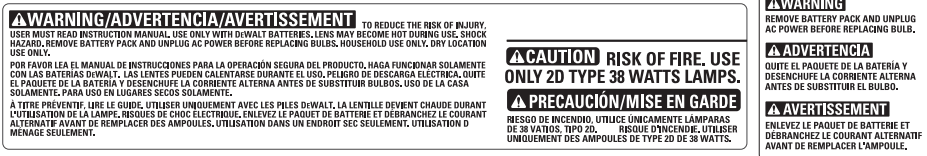
DEWALT will maintain the tool and replace worn parts caused by normal use, for free, any time during the first year after purchase.

90 DAY MONEY BACK GUARANTEE

If you are not completely satisfied with the performance of your DEWALT Power Tool, Laser, or Nailer for any reason, you can return it within 90 days from the date of purchase with a receipt for a full refund – no questions asked.

LATIN AMERICA: This warranty does not apply to products sold in Latin America. For products sold in Latin America, see country specific warranty information contained either in the packaging, call the local company or see website for warranty information.

FREE WARNING LABEL REPLACEMENT: If your warning labels become illegible or are missing, call 1-800-4-DEWALT for a free replacement.



Définitions : lignes directrices en matière de sécurité

Les définitions ci-dessous décrivent le niveau de danger pour chaque mot-indicateur employé. Veuillez lire le mode d'emploi et porter une attention particulière à ces symboles.

⚠ DANGER : indique une situation dangereuse imminente qui, si elle n'est pas évitée, causera la mort ou des blessures graves.

⚠ AVERTISSEMENT : indique une situation potentiellement dangereuse qui, si elle n'est pas évitée, pourrait se solder par un décès ou des blessures graves.

⚠ ATTENTION : indique une situation potentiellement dangereuse qui, si elle n'est pas évitée pourrait se solder par des blessures mineures ou modérées.

ATTENTION : utilisé sans le symbole d'alerte à la sécurité, indique une situation potentiellement dangereuse qui, si elle n'est pas évitée pourrait se solder par des dommages à la propriété.

POUR TOUT COMMENTAIRE OU QUESTION RELATIF À CET OUTIL OU TOUT AUTRE OUTIL DEWALT, COMPOSEZ GRATUITEMENT LE : 1-800-4-DEWALT (1-800-433-9258).

Consignes de sécurité importantes

⚠ AVERTISSEMENT ! Pendant l'utilisation des lampes de travail DC020, prendre systématiquement des précautions élémentaires, y compris les suivantes :

- Lire toutes les instructions avant d'utiliser les lampes de travail DC020.
- Pour réduire tout risque de dommage corporel, prendre toutes les précautions nécessaires lorsque la lampe de travail est utilisée à proximité d'enfants.
- Ne jamais utiliser à l'extérieur.
- Pour débrancher la lampe, mettre tous les boutons de contrôle en position d'arrêt (« O »), puis retirer la fiche de la prise.
- Ne pas débrancher en tirant sur le cordon. Pour débrancher la lampe, tirer sur la fiche et non pas sur le cordon.
- Débrancher la lampe de la prise en fin d'utilisation, et avant tout entretien ou nettoyage.
- Ne pas utiliser une lampe dont le cordon ou la fiche est endommagé, ou si la lampe ne fonctionne pas correctement ou est tombée ou a été endommagée de quelque manière. Retourner la lampe de travail aux services de réparation agréés les plus proches pour examen, réparation ou réglage électrique ou mécanique.
- Pour réduire tout risque de choc électrique, ne pas immerger la lampe de travail dans l'eau ou tout autre liquide. Ne pas disposer ou entreposer la lampe de travail là où elle risquerait de tomber, ou glisser dans une baignoire ou un évier.
- La débrancher systématiquement avant de changer son ampoule. Remplacer l'ampoule avec une ampoule de 38 watts similaire.
- La brancher sur une prise correctement mise à la terre. Se reporter à la section Directives de mise à la terre.

CONSERVER CES CONSIGNES

Règles de sécurité relatives aux lampes de travail

⚠ AVERTISSEMENT : Risques de brûlure. Ne pas utiliser la lampe de travail ou son chargeur en présence de liquide ou gaz inflammable ou en milieu déflagrant. Des étincelles internes pourraient enflammer les vapeurs et causer des dommages corporels.

⚠ AVERTISSEMENT : Risques de choc électrique. Retirer le bloc-piles avant de remplacer l'ampoule fluorescente.

- Des troubles de la vision peuvent se produire lorsqu'on regarde directement dans une lumière fluorescente.
- Ne pas exposer la lampe de travail à l'eau ou à l'humidité. Ne l'utiliser que dans des endroits secs. Ne laisser aucun liquide pénétrer dans la lampe de travail. Ne submerger la lampe de travail dans aucun liquide.
- La lampe de travail a été conçue pour une utilisation domestique et commerciale.
- Ne pas l'utiliser sans que sa lentille de protection soit correctement fixée.
- Avant d'utiliser le bloc-piles et son chargeur, lire toute consigne et tout avertissement apposés sur le chargeur, le bloc-piles et le produit utilisant le bloc-piles.
- NE PAS tenter de charger le bloc-piles avec des chargeurs autres que ceux décrits dans ce manuel. La lampe de travail et son bloc-piles ont été conçus tout spécialement pour fonctionner ensemble.
- Tirer sur la fiche plutôt que sur le cordon pour débrancher la lampe de travail. Cela permet de réduire les risques d'endommager la fiche ou le cordon d'alimentation.
- S'assurer que le cordon est protégé de manière à ce que personne ne marche ni ne trébuche dessus ou à ce qu'il ne soit ni endommagé ni soumis à aucune tension.
- N'utiliser une rallonge qu'en cas de nécessité absolue. L'utilisation d'une rallonge inadéquate comporte des risques d'incendie, de choc électrique ou d'électrocution.
- Pour la sécurité de l'utilisateur, utiliser une rallonge de calibre adéquat (AWG, American Wire Gauge [calibrage américain normalisé des fils électriques]). Plus le calibre est petit, et plus sa capacité est grande. Un calibre 16, par exemple, a plus de capacité qu'un calibre 18. Si plus d'une rallonge est utilisée pour obtenir une certaine longueur, s'assurer que chaque rallonge présente au moins le calibre de fil minimum.
- Éloigner la lampe de travail de toute source de chaleur.
- Ne pas utiliser la lampe de travail avec un cordon ou une fiche endommagé ; les faire changer immédiatement.
- Ne pas utiliser la lampe de travail si elle a reçu un coup, fait une chute ou a été endommagée de quelque façon que ce soit. La ramener à un centre de réparation agréé.
- Ne pas démonter la lampe de travail. Pour tout service ou réparation, la rapporter dans un centre de réparation agréé. Le fait de la réassembler de façon incorrecte comporte des risques de choc électrique, d'électrocution et d'incendie.
- Débrancher la lampe de travail du secteur avant tout entretien. Cela réduira tout risque de chocs électriques. Le fait de retirer le bloc-piles ne réduira pas ces risques.

• Cette lampe de travail a été conçue pour fonctionner sur CA, 120 volts et 60 Hz. Elle fonctionne également sur courant continu (CC) grâce à un bloc-piles pleinement chargé. Ne pas utiliser toute autre tension.

⚠ AVERTISSEMENT : Cet outil contient des produits chimiques reconnus par l'état californien pour causer cancers, malformations congénitales ou être nocifs au système reproductif. Recycler ou mettre au rebut l'ampoule conformément à la réglementation en vigueur de l'état. Si l'ampoule venait à se casser, se laver soigneusement les mains et toute surface touchée.

• L'étiquette apposée sur votre lampe de travail peut inclure les symboles suivants. Les symboles et leur définition sont définis ci-après :

| | |
|--|---------------------------------------|
| V..... Volts | A ampères |
| Hz..... hertz | W watts |
| min minutes | ~ courant alternatif |
| == courant continu | ⌚ courant alternatif ou continu |
| Ⓧ Classe / Fabrication (mis à la terre) | No..... vitesses à vide |
| Ⓛ Fabrication classe II (double isolation) | Ⓧ borne de terre |
| ⚠ symbole d'avertissement | BPM..... battements par minute |
| .../min par minute | R/MIN tours par minute |
| F..... temp. Fahrenheit | C..... temp. Celsius |

CONSERVER CES CONSIGNES

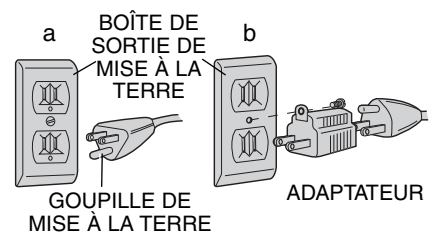
Directives de mise à la terre

La lampe de travail DC020 doit être mise à la terre. En cas de défaillance technique ou de panne, la mise à la terre offre un chemin de moindre résistance au courant électrique pour réduire tout risque de choc électrique. La lampe de travail est pourvue d'un cordon muni d'un conducteur de protection et d'une fiche de mise à la terre. Cette fiche doit être branchée dans prise adéquate installée correctement et mise à la terre conformément aux codes et réglementations locales.

⚠ DANGER : Tout branchement non conforme du matériel mis à la terre augmente les risques de chocs électriques. Le conducteur dont la surface externe d'isolation est verte, avec ou sans rayures jaunes, est le conducteur de protection. En cas de réparation ou de remplacement du cordon ou de la fiche, ne jamais connecter le conducteur de protection à une borne sous tension. Si les directives de mise à la terre ne sont pas complètement comprises, ou si on n'est pas sûr que la lampe de travail est correctement mise à la terre, faire appel à un électricien ou du personnel d'entretien qualifié. Ne pas modifier la fiche fournie avec la lampe de travail. Si elle ne rentre pas dans la prise, faire installer une prise adéquate par un électricien qualifié.

LAMPE DE TRAVAIL AVEC CORDON D'UN CALIBRE INFÉRIEUR À 15A ET CONÇUE POUR ÊTRE UTILISÉE SUR UNE TENSION NOMINALE DE 120V

La lampe de travail est conçue pour une tension nominale de 120V, et est équipée d'une fiche de mise à la terre qui ressemble à la fiche illustrée par le schéma a. Un adaptateur temporaire, qui ressemble à celui illustré par le schéma b, peut être utilisé pour connecter cette fiche dans une prise à 2 lames, comme illustré par le schéma b, lorsqu'une prise correctement mise à la terre n'est pas disponible. L'adaptateur temporaire ne devrait être utilisé que tant qu'une prise adéquate et mise à la terre n'a pas été installée par un électricien qualifié. L'oreille, la patte ou autre, rigide et verte rattachée à l'adaptateur doit être connectée à une installation électrique conforme mise à la terre de façon permanente. Chaque fois que l'adaptateur est utilisé, il doit être maintenu en place par une vis métallique.



Lorsqu'une rallonge longue est utilisée pour connecter une lampe de travail ou un outil, il se produit une chute de tension. Plus la rallonge est longue, plus la chute est importante. Cela a pour résultat une chute de la tension alimentant la lampe de travail ou l'outil, et l'augmentation de la quantité de courant (Amp) utilisée, ou une baisse des performances. Une rallonge de calibre supérieur réduira la chute de tension. S'assurer de choisir une rallonge fournissant une tension suffisante pour l'utilisation de l'outil ou la lampe de travail. Le tableau ci-dessous indique les calibres de tension appropriés pour les rallonges, et la chute de tension causée par leur utilisation, en tenant compte de la charge électrique.

⚠ AVERTISSEMENT : Prendre soin des rallonges. Pour réduire tout risque de chocs électriques, ne pas utiliser de rallonges usées, dénudées ou abîmées.

⚠ AVERTISSEMENT : L'utilisation d'un matériel sur basse tension peut causer sa surchauffe. L'utilisation d'une rallonge excessivement longue peut aussi causer sa surchauffe.

Rallonges
Utiliser exclusivement des rallonges mises à la terre et homologuées pour l'extérieur et un équipement muni d'un troisième fil de terre.

⚠ AVERTISSEMENT : Prendre soin des rallonges. Pour réduire tout risque de chocs électriques, ne pas utiliser de rallonges usées, dénudées ou abîmées.

⚠ AVERTISSEMENT : L'utilisation d'un matériel sur basse tension peut causer sa surchauffe. L'utilisation d'une rallonge excessivement longue peut aussi causer sa surchauffe.

| Volts | CALIBRES MINIMAUX DES RALLONGES | | | |
|-------|------------------------------------|--------|---------|---------|
| | Longueur totale de cordon en pieds | | | |
| 120V | 0-25 | 26-50 | 51-100 | 101-150 |
| 240V | 0-50 | 51-100 | 101-200 | 201-300 |

| Intensité (en ampères) | AWG | | | |
|------------------------|--------|--------|--------|----------------|
| | 16 AWG | 14 AWG | 12 AWG | 10 AWG |
| 0-10 (A) | 16 | 16 | 14 | 14 |
| 10-13 (A) | 16 | 16 | 14 | 12 |
| 13-16 (A) | 14 | 14 | 12 | 12 |
| 16-25 (A) | 12 | 12 | 12 | 10 |
| 25-30 (A) | 10 | 10 | 10 | Non recommandé |

| Rallonges Longueur | Amp Charge | Chute de tension | | | |
|--------------------|------------|------------------|--------|--------|--------|
| | | 16 AWG | 14 AWG | 12 AWG | 10 AWG |
| 25 Pied | 10A | 2,0 | 1,3 | 0,8 | 0,5 |
| | 15A | 3,0 | 1,9 | 1,2 | 0,8 |
| | 20A | 4,0 | 2,5 | 1,6 | 1,1 |
| 50 Pied | 30A | 6,0 | 3,8 | 2,3 | 1,6 |
| | 10A | 4,0 | 2,5 | 1,6 | 1,1 |
| | 15A | 6,0 | 3,8 | 2,3 | 1,6 |
| 100 Pied | 20A | 8,0 | 5,0 | 3,1 | 2,1 |
| | 30A | 12,0 | 7,5 | 4,7 | 3,2 |
| | 10A | 8,0 | 5,0 | 3,1 | 2,1 |
| 150 Pied | 15A | 12,0 | 7,5 | 4,7 | 3,2 |
| | 20A | 16,0 | 10,0 | 6,2 | 4,2 |
| | 30A | 24,0 | 15,0 | 9,3 | 6,3 |
| | 10A | 12,0 | 7,5 | 4,7 | 3,2 |
| | 15A | 18,0 | 11,3 | 7,0 | 4,7 |
| | 20A | 24,0 | 15,0 | 9,3 | 6,3 |
| | 30A | 36,0 | 22,5 | 14,0 | 9,5 |

Consignes de sécurité importantes propres aux blocs-piles

La DC020 fournit de la lumière avec les blocs-piles 12-18 volts DEWALT au nickel-cadmium, hydrure métallique de nickel, et lithium ion.

Pour commander un bloc-piles de rechange, s'assurer d'inclure son numéro de catalogue et sa tension. Les blocs-piles à durée prolongée durent plus longtemps que les blocs-piles standards. Consulter le tableau dans ce manuel pour connaître les compatibilités entre chargeurs et blocs-piles.

Le bloc-piles n'est pas totalement chargé d'usine. Avant d'utiliser le bloc-piles et la lampe de travail, lire les consignes de sécurité ci-dessous. Puis suivre la procédure de charge ci-après.

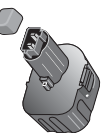
LIRE TOUTES LES CONSIGNES

- Recharger les blocs-piles exclusivement dans des chargeurs DEWALT.
- NE PAS éclabousser le bloc-piles ou l'immerger dans l'eau ou dans tout autre liquide.
- Ne pas ranger ou utiliser l'appareil et le bloc-piles là où la température ambiante peut excéder 105°F (comme des hangars ou des bâtiments métalliques en été).

⚠ DANGER : Risques d'électrocution. Ne jamais tenter d'ouvrir le bloc-piles pour quelque raison que ce soit. Si le boîtier du bloc-piles est fissuré ou endommagé, ne pas l'insérer dans un chargeur. Il y a risque de choc électrique ou d'électrocution. Les blocs-piles endommagés doivent être renvoyés à un centre de réparation pour y être recyclés.

REMARQUE : Un boîtier spécial et des capuchons sont fournis avec le bloc-piles pour le ranger après utilisation ou chargement. Retirer le capuchon avant de réinsérer la pile sur le chargeur ou l'outil.

⚠ AVERTISSEMENT : Risques d'incendie. S'assurer, au moment de ranger ou transporter le bloc-piles, qu'aucun objet métallique n'entre en contact avec les bornes à découvert du bloc-piles. Par exemple, éviter de placer un bloc-piles sans



capuchon dans un tablier, une poche, une boîte à outils ou un tiroir, etc. contenant des objets tels que des clous, des vis ou des clés. **Le fait de transporter des bloc-piles comporte des risques d'incendie car les bornes des piles peuvent entrer, par inadvertance, en contact avec des objets conducteurs tels que clés, pièces de monnaie, outils ou autres.** La réglementation sur les produits dangereux (Hazardous Material Regulations) du département américain des transports interdit en fait le transport des piles pour le commerce ou dans les avions (ex : dans les bagages enregistrés ou à main) À MOINS qu'elles ne soient correctement protégées contre tout court-circuit. Aussi lors du transport individuel de blocs-piles, s'assurer que leurs bornes sont bien protégées et isolées de tout matériau pouvant entrer en contact avec elles et provoquer un court-circuit.

CONSIGNES DE SÉCURITÉ PROPRES AUX PILES DE NICKEL-CADMIUM (NICD) OU À L'HYDRURE MÉTALLIQUE DE NICKEL (NIMH)

- Ne pas incinérer le bloc-piles même s'il est sévèrement endommagé ou complètement usagé, car il pourrait exploser au contact des flammes.**

- De légères fuites de liquide peuvent se produire au niveau des cellules du bloc-piles en cas d'utilisation ou de conditions de températures extrêmes.** Cela ne représente en aucun cas une défaillance du produit.

Toutefois, si le joint d'étanchéité extérieur est endommagé :

- et que son liquide entre en contact avec la peau, rincer immédiatement à l'eau savonneuse pendant quelques minutes.
- et que son liquide entre en contact avec les yeux, les rincer aussitôt à l'eau claire pendant au moins une dizaine de minutes puis consulter immédiatement un médecin. (**Note médicale** : Le liquide est composé d'une solution comprenant 25 à 35% d'hydroxyde de potassium.)

CONSIGNES DE SÉCURITÉ PROPRES AUX PILES AU LITHIUM-ION (LI-ION)

- Ne pas incinérer le bloc-piles même s'il est sévèrement endommagé ou complètement usagé, car il pourrait exploser au contact des flammes.** Pendant l'incinération des bloc-piles au lithium-ion, des vapeurs et matières toxiques sont dégagées.

- En cas de contact du liquide de la pile avec la peau, rincer immédiatement au savon doux et à l'eau.** En cas de contact oculaire, rincer l'œil ouvert à l'eau une quinzaine de minutes ou jusqu'à ce que l'irritation cesse. Si des soins médicaux s'avéraient nécessaires, noter que l'électrolyte de la pile est composé d'un mélange de carbonates organiques liquides et de sels de lithium.

- Le contenu des cellules d'une pile ouverte peut causer une irritation respiratoire.** Dans cette éventualité, exposer l'individu à l'air libre. Si les symptômes persistent, consulter un médecin.

⚠AVERTISSEMENT : Risques de brûlure. Le liquide de la pile peut s'enflammer s'il est exposé à des étincelles ou à une flamme.

LE SCEAU SRPRC™

Le sceau SRPRC™ (Société de recyclage des piles rechargeables au Canada) apposé sur la pile au nickel-cadmium, à hydrure métallique de nickel ou au lithium-ion (ou le bloc-piles) indique que les coûts de recyclage de ces derniers en fin d'utilisation ont déjà été réglés par DEWALT. Dans certaines régions, la mise au rebut ou aux ordures municipales des piles au nickel-cadmium, à l'hydrate métallique de nickel ou au lithium-ion, est illégale ; le programme de SRPRC constitue donc une solution pratique et écologique.

La SRPRC™, en collaboration avec DEWALT et d'autres utilisateurs de piles, a mis sur pied des programmes aux États-Unis et au Canada pour faciliter la collecte des piles au nickel-cadmium, à hydrure métallique de nickel ou au lithium-ion épuisées. Aidez-nous à protéger l'environnement et à conserver nos ressources naturelles en renvoyant les piles au nickel-cadmium, à hydrure métallique de nickel ou au lithium-ion épuisées à un centre de réparation autorisé DEWALT ou chez votre détaillant afin qu'elles y soient recyclées. On peut en outre se renseigner auprès d'un centre de recyclage local pour connaître d'autres sites les acceptant.

SRPRC™ est une marque déposée de la *Société de recyclage des piles rechargeables* au Canada.

DESCRIPTION (Fig. 1)

- | | |
|------------------------------|-------------------------|
| A. Interrupteur MARCHÉ/ARRÊT | H. Ampoule fluorescente |
| B. Poignée | I. Verre de protection |
| C. Logement du bloc-piles | J. Boîtier de la lampe |
| D. Prises CA | K. Bras |
| E. Cordon électrique | L. Garniture caoutchouc |
| F. Rembobineur intégré | M. Protection d'ampoule |
| G. Bras de retenue | |

FONCTIONNEMENT

Fonctionnement sur CA

- Déroutez le cordon et branchez-le dans une prise alimentée par du 120 V CA.
- Les deux prises sur la lampe sont maintenant actives et peuvent être utilisées.

REMARQUE : Ces deux prises ne sont actives que lorsqu'on est branché sur CA.

Fonctionnement sur bloc-piles (Fig. 2)

- Placez la DC020 repliée sur une surface plane et stable, sur le verre de protection (I).
- Soulevez le bras de retenue (G) d'une main et insérez le bloc-piles dans le logement du bloc-piles (C). Remplacez lentement le bras de retenue sur le bloc-piles pour le maintenir solidement en place.
- En maintenant fermement la poignée (B) d'une main, utilisez l'autre pour soulever le boîtier de la lampe (J).

Utilisation (Fig. 1, 3)

- Placez la DC020 repliée sur une surface plane et stable.
- Le boîtier de la lampe peut prendre différentes positions. En maintenant fermement la poignée (B) d'une main, utilisez l'autre pour ajuster le bras (K) sur l'une des cinq positions illustrées.
- Réglez la lampe de travail comme désiré. Appuyez sur le bouton MARCHÉ/ARRÊT (A) pour la mettre en MARCHÉ.

En fin d'utilisation, mettre l'interrupteur sur la position ARRÊT, repliez le boîtier de la lampe pour entreposer celle-ci à plat.

Changement de l'ampoule fluorescente (Fig. 1, 4)

⚠AVERTISSEMENT : Risques de choc électrique. **Déconnecter le bloc-piles et débrancher l'appareil avant de changer l'ampoule fluorescente.** Ces mesures de sécurité réduiront tout risque de dommages corporels.

⚠ATTENTION : Des troubles de la vision peuvent se produire lorsqu'on regarde directement dans une lumière fluorescente.

⚠ATTENTION : Risques de coupure. Pour changer une ampoule brisée, se protéger les mains avant de tenter de la retirer. Pour réduire tout risque de dommages corporels, ne pas retirer les débris de verre ou d'ampoule de la douille à main nue.

Pour changer l'ampoule fluorescente, le boîtier de la lampe doit être orienté vers le haut, comme illustré en figure 1.

ATTENTION : Pour éviter d'endommager la lampe, NE PAS séparer la garniture caoutchouc du verre de protection. La garniture caoutchouc est scellée de façon permanente.

REMARQUE : Il est recommandé de remplacer l'ampoule avec une ampoule fluorescente DEWALT DC0213 de 38W.

REMARQUE : Éviter de toucher la surface réfléchive. Toute contamination de la surface en diminuera sa réflectivité.

- Tout en maintenant d'une main le coin inférieur du boîtier de la lampe (J) et le verre de protection (I), utilisez l'autre main pour dégager la garniture caoutchouc (L) du boîtier de la lampe en commençant par l'un des coins inférieurs.
- Toujours en maintenant solidement le boîtier de la lampe, dégagez la garniture caoutchouc tout autour du boîtier en terminant par le haut.
- Retirez la garniture caoutchouc (L) et le verre de protection (I) et les mettre de côté.
- Tout en maintenant d'une main le coin inférieur du boîtier de la lampe, utilisez l'autre main pour retirer la protection d'ampoule (M). Pressez délicatement sur les côtés de la protection d'ampoule à l'aide du pouce et de l'index pour le libérer des clips. Mettez la protection d'ampoule de côté.
- Maintenez le coin inférieur du boîtier de la lampe d'une main. Utilisez l'autre main pour attraper fermement l'ampoule fluorescente (H) au centre tout en maintenant le boîtier en plastique blanc sous la protection d'ampoule. Toujours en maintenant solidement le coin inférieur, retirez délicatement l'ampoule du boîtier de la lampe, comme illustré. Assurez-vous que la douille et ses alentours ne comportent aucune saleté, poussière ou tout autre contaminant.
- Orientez l'ampoule fluorescente de remplacement dans la même position que l'ampoule d'origine. Maintenez le coin inférieur du boîtier de la lampe d'une main. De l'autre main,

appuyez délicatement sur le centre du boîtier en plastique de l'ampoule pour le remettre en place.

- Une fois l'ampoule de remplacement installée, appuyez délicatement sur le centre du boîtier en plastique de l'ampoule pour vous assurer qu'il est bien connecté. Réinstallez la protection d'ampoule en l'enclenchant dans le boîtier de la lampe.

- Remplacez le verre de protection. Installez la garniture caoutchouc sur l'un des coins supérieurs, puis enrroulez-la autour de l'autre coin supérieur, en terminant sur l'un des coins inférieurs. Assurez-vous que la garniture caoutchouc est fermement en place autour du boîtier de la lampe.

MAINTENANCE

Remarques quant aux réparations

Ce produit ne peut être réparé par l'utilisateur. Autre que le remplacement de l'ampoule, la lampe de travail ne comporte à l'intérieur aucune pièce réparable par l'utilisateur. Il est requis de faire réparer l'appareil dans un centre de réparation agréé pour éviter tout dommage à ses composants internes sensibles à l'électricité statique.

Entretien

⚠AVERTISSEMENT : Retirer le bloc-piles et débrancher la lampe de travail de sa prise de courant alternatif avant tout entretien. Ne jamais utiliser de solvants ou tout autre produit chimique décapant pour nettoyer les parties non métalliques de l'outil. Ces produits chimiques pourraient en attaquer les matériaux non métalliques utilisés. Utilisez un chiffon humidifié avec de l'eau et un savon doux ou une brosse souple non métallique. Protégez la lampe de travail de tout liquide. N'immergez aucune partie de la lampe dans un liquide.

Réparations

Pour assurer la SÉCURITÉ et la FIABILITÉ de cet outil, toutes les opérations de réparation, d'entretien et de réglage doivent être effectuées par un centre de service autorisé ou qualifié; seules des pièces de rechange identiques doivent être utilisées.

Garantie limitée trois ans

DEWALT réparera gratuitement tous les problèmes dus à des défauts de matériau ou de fabrication pendant trois ans à compter de la date d'achat. Cette garantie ne couvre pas des défaillances de pièce dues à une usure normale ou à une mauvaise utilisation de l'outil. Pour plus de détails relatifs à la couverture de la garantie et aux réparations sous garantie, visiter le site Web www.DEWALT.com ou composer le 1 (800) 4-DEWALT (1 (800) 433-9258). Cette garantie ne s'applique pas aux accessoires ni aux dommages causés par des réparations réalisées ou tentées par des tiers. Cette garantie vous accorde des droits légaux spécifiques et il est possible que vous ayez d'autres droits qui varient d'un État ou d'une province à l'autre.

En plus de la garantie, les outils DEWALT sont couverts par notre :

SERVICE D'ENTRETIEN GRATUIT DE 1 AN

DEWALT entretiendra l'outil et remplacera les pièces usées par une utilisation normale et ce, gratuitement, à tout instant pendant la première année à compter de la date d'achat.

GARANTIE DE REMBOURSEMENT DE 90 JOURS

Si vous n'êtes pas entièrement satisfait des performances de votre outil électrique, laser ou de votre cloueuse DEWALT pour quelque raison que ce soit, vous pouvez le retourner accompagné d'un reçu dans les 90 jours suivant la date d'achat et nous vous rembourserons entièrement – sans poser de questions.

AMÉRIQUE LATINE : cette garantie ne s'applique pas aux produits vendus en Amérique latine. Pour ceux-ci, veuillez consulter les informations relatives à la garantie spécifique présente dans l'emballage, appeler l'entreprise locale ou consulter le site Web pour les informations relatives à cette garantie.

REMPLACEMENT GRATUIT DES ÉTIQUETTES D'AVERTISSEMENT : si les étiquettes d'avertissement deviennent illisibles ou sont manquantes, composer le 1 (800) 4-DEWALT pour en obtenir le remplacement gratuit.

| | |
|---|--|
| ⚠WARNING/ADVERTENCIA/AVERTISSEMENT TO REDUCE THE RISK OF INJURY, USER MUST READ INSTRUCTION MANUAL. USE ONLY WITH DEWALT BATTERIES. LENS MAY BECOME HOT DURING USE. SHOCK HAZARD. REMOVE BATTERY PACK AND UNPLUG AC POWER BEFORE REPLACING BULBS. HOUSEHOLD USE ONLY. DRY LOCATION USE ONLY. <p>⚠POR FAVOR LEA EL MANUAL DE INSTRUCCIONES PARA LA OPERACIÓN SEGURA DEL PRODUCTO. HAGA FUNCIONAR SOLAMENTE CON LAS BATERÍAS DEWALT. LAS LENTES PUEDEN CALENTARSE DURANTE EL USO. PELIGRO DE DESCARGA ELÉCTRICA. QUITE EL PAQUETE DE LA BATERÍA Y DESENCHUFE LA CORRIENTE ALTERNIA ANTES DE SUSTITUIR BOMBILLAS. USO EN LA CASA SOLAMENTE. PARA USO EN LUGARES SECOS SOLAMENTE.</p> ⚠ATTENTION : RISK OF FIRE. USE ONLY 2D TYPE 38 WATTS LAMPS. <p>⚠PRECAUCIÓN/MISE EN GARDE RESO DE INCENDIO. UTILICE ÚNICAMENTE LAMPARAS DE 38 VATTOS, TIPO 2D. RISQUE D'INCENDIE. UTILISER UNIQUEMENT DES AMPOULES DE TYPE 2D DE 38 WATTS.</p> | ⚠WARNING REMOVE BATTERY PACK AND UNPLUG AC POWER BEFORE REPLACING BULB. <p>⚠ADVERTENCIA QUITE EL PROMOTE DE LA BATERÍA Y DESENCHUFE LA CORRIENTE ALTERNIA ANTES DE SUSTITUIR EL BOMBILLO.</p> <p>⚠AVERTISSEMENT ENLEVEZ LE PAQUET DE BATTERIE ET DEBRANCHEZ LE COURANT ALTERNATIF AVANT DE REMPLACER L'AMPOULE.</p> |
|---|--|

Definiciones: Normas de seguridad

Las siguientes definiciones describen el nivel de gravedad de cada palabra de señal. Lea el manual y preste atención a estos símbolos.

⚠PELIGRO: indica una situación de peligro inminente que, si no se evita, provocará la muerte o lesiones graves.

⚠ADVERTENCIA: indica una situación de peligro potencial que, si no se evita, podría provocar la muerte o lesiones graves.

⚠ATENCIÓN: indica una situación de peligro potencial que, si no se evita, posiblemente provocaría lesiones leves o moderadas.

ATENCIÓN: cuando se utiliza sin el símbolo de alerta de seguridad indica una situación de peligro potencial que, si no se evita, puede provocar daños en la propiedad.

SI USTED TIENE ALGUNA PREGUNTA O COMENTARIO ACERCA DE ESTA O CUALQUIER OTRA HERRAMIENTA DEWALT, LLÁMENOS GRATIS AL NÚMERO: **1-800-4-DEWALT (1-800-433-9258)**.

Instrucciones Importantes de Seguridad

⚠ ¡ADVERTENCIA! Siempre deberían seguirse las precauciones básicas de seguridad cuando use el reflector DC020, incluyendo las siguientes:

- Lea todas las instrucciones antes de usar el reflector DC020.
- Para reducir el riesgo de lesión, es necesario supervisar de cerca la utilización del reflector cuando es utilizado en proximidad de niños.
- No utilice el reflector afuera.
- Para desconectar, coloque todos los controles en posición off (“O”) apagado, luego retire la clavija del contacto.
- No desenchufe halando del cable. Para desenchufar, sujete la clavija, no el cable.
- Desenchufe del contacto cuando el reflector no esté en uso y antes de repararlo o limpiarlo.
- No opere ningún reflector con un cable o clavija dañados, o después de que presente fallas o de cualquier forma se caiga o se dañe. Devuelva el reflector al centro autorizado de servicio más cercano para ser examinado, reparado o hacer algún ajuste eléctrico o mecánico.
- Para reducir el riesgo de descarga eléctrica, no coloque el reflector en agua u otro líquido. No coloque o almacene el reflector en un sitio donde pueda caer al piso o a una bañera o a un lavatorio.
- Siempre desenchufe el reflector antes de cambiar la bombilla. Cambie la bombilla por una del mismo tipo de 38 Vatios.
- Conecte el reflector a una clavija debidamente conectada a tierra. Refiérase a las Instrucciones de Conexión a Tierra.

GUARDE ESTAS INSTRUCCIONES

Reglas de Seguridad para Reflectores

⚠ADVERTENCIA: Riesgo de quemadura. No opere el reflector o el cargador cerca de líquidos inflamables o en atmósferas gaseosas o explosivas. Las chispas internas pueden encender los vapores, provocando lesiones personales.

⚠ADVERTENCIA: Peligro de descarga eléctrica. Retire la unidad de alimentación antes de cambiar la bombilla fluorescente

- El sentido de la visión puede verse afectada al mirar directamente una luz fluorescente.
- No exponga el reflector a condiciones de agua y humedad. Utilice solo en sitios secos.** No permita que ningún líquido entre al reflector. No sumerja el reflector en ningún líquido.
- El reflector está diseñado pata uso residencial y comercial.**
- No opere el reflector sin el ensamble de lente de cubierta colocado.

- Antes de usar la batería y el cargador, lea todas las instrucciones y advertencias que se encuentren en el cargador, la unidad de batería y el producto que usa la unidad de batería.
- **NO intente cargar la unidad de batería con otros cargadores que no sean los descritos en este manual.** El reflector y la unidad de batería están diseñados específicamente para trabajar en conjunto.
- **Tire del enchufe y no del cable cuando desconecte el reflector.** De esta forma se reduce el riesgo de daño al enchufe y cable.
- **Coloque el cable eléctrico de manera que no lo pise nadie, ni se enrede o quede expuesto a una tensión que pueda dañarlo.**
- **No use un alargador a menos que sea absolutamente necesario.** El uso del alargador incorrecto o de un alargador que está desgastado o dañado podría causar un incendio, una descarga eléctrica o electrocución.
- **Los hilos del alargador deben ser de un calibre apropiado (AWG) o Calibre Americano de Hilos) para su seguridad.** Mientras menor sea el calibre del hilo, mayor la capacidad del cable. Es decir, un hilo calibre 16 tiene mayor capacidad que uno de 18. Cuando se utilice más de un alargador para completar el largo total, asegúrese que los hilos de cada alargador tengan el calibre mínimo.
- **Coloque el reflector en un lugar alejado de cualquier fuente de calor.**
- **No opere el reflector con un cable o enchufe dañados - cámbielos de inmediato.**
- **No opere el reflector si ha recibido un golpe agudo, si se ha dejado caer o si ha sido dañado de alguna otra forma.** Llévelo a un centro de servicio autorizado.
- **No desarme el reflector. Llévelo a un centro de servicio autorizado cuando requiera de servicio o deba ser reparado.** Si es reensamblado incorrectamente, puede causar descargas eléctricas, electrocución o incendios.
- **Desenchufe el reflector antes de intentar limpiarlo. Esto reducirá el riesgo de descargas eléctricas.** El retirar la unidad de batería no reducirá este riesgo.
- **Este reflector está diseñado para operar con CA de 120 Voltios, 60 Hz. También opera con corriente directa (CD) mediante una unidad de batería completamente cargada.** No utilice ningún otro voltaje.

⚠ **ADVERTENCIA:** Este producto contiene químicos que el estado de California sabe producen cáncer, defectos de nacimiento y otros tipos de daño reproductivo. Recicle o disponga de la bombilla de acuerdo con las regulaciones de estado aplicables. Si la bombilla se quiebra, lave bien sus manos y cualquier otra parte de su cuerpo que haya estado en contacto.

- La etiqueta de su reflector puede incluir los siguientes símbolos. Los símbolos y sus definiciones son como sigue:

| | |
|--|---|
| V..... voltios | A..... amperios |
| Hz..... hertzios | W..... vatios |
| min minutos | ~ corriente alterna |
| == corriente directa | ⊜ corriente alterna o directa |
| ⚡ Construcción Clase I (con conexión a tierra) | n ₀ Velocidad sin carga |
| ⊕ Terminal para conexión a tierra | ☐ Construcción Clase II (con doble aislamiento) |
| ⚠ símbolo de alerta de seguridad | .../min... por minuto |
| IPM..... Impactos por minuto | F Temperatura en grados Fahrenheit |
| RPM..... revoluciones por minuto | |
| C Temperatura en grados Celsius | |

GUARDE ESTAS INSTRUCCIONES

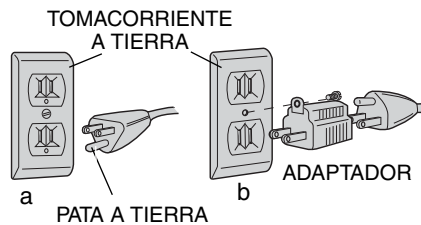
Instrucciones de Conexión a Tierra

El reflector DC020 debe ser conectado a tierra. En el caso de una falla o avería, la conexión a tierra proporciona una vía de menor resistencia para la corriente eléctrica, reduciendo el riesgo de choque eléctrico. Este reflector viene con un cable equipado con un conductor a tierra y un enchufe con conexión a tierra. El enchufe deberá conectarse a una toma que haga juego y que esté instalada apropiadamente y conectada a tierra en conformidad con todos los códigos y regulaciones locales.

⚠ **PELIGRO:** La conexión incorrecta del conductor a tierra del equipo puede ocasionar un choque eléctrico. El conductor cuyo aislamiento es verde, con o sin franjas amarillas, es el conductor a tierra del equipo. Si se requiere reparar o reemplazar el cable o enchufe, no conecte el conductor a tierra a un terminal con carga. Consulte con un electricista o técnico de reparación calificado si no entiende por completo las instrucciones de conexión a tierra, o si tiene alguna duda de si el reflector está debidamente conectado a tierra. No modifique el enchufe proporcionado con el reflector - si no concuerda con la toma de corriente, haga que un electricista calificado instale una toma de corriente apropiada.

PARA REFLECTORES CON CONEXIÓN A TIERRA, CONECTADO CON CABLE, CLASIFICADOS PARA MENOS QUE 15A Y DISEÑADOS PARA USARSE EN UN CIRCUITO DE ALIMENTACIÓN NOMINAL DE 120V

El reflector está diseñado para ser usado en un circuito nominal de 120V y posee un enchufe con conexión a tierra que se ve como el enchufe ilustrado en el bosquejo a. Se puede usar un adaptador temporal, similar al ilustrado en el bosquejo b, para conectar este enchufe a una toma de corriente de 2 polos como se observa en el bosquejo b si no hay una toma de corriente con conexión a tierra apropiada. El adaptador temporal debe usarse solo hasta que la toma de corriente debidamente conectada a tierra pueda ser instalada por un electricista calificado. La lengüeta color verde, que sobresale del adaptador debe conectarse a tierra permanentemente, como por ejemplo, a una toma de corriente con conexión a tierra. Siempre que se utilice el adaptador, este debe estar sujeto en su sitio por un tornillo metálico.



Uso de Alargadores

Use sólo alargadores con conexión a tierra que estén clasificados para ser usados afuera y equipos que tengan una conexión a tierra o tercer cable.

Puede ocurrir una caída de voltaje cuando se utiliza un alargador largo para conectar un reflector o herramienta. Mientras más largo sea el cable, mayor será la caída de voltaje. Esto resulta en un menor suministro de voltaje hacia el reflector o herramienta e incrementa el consumo de corriente (amperios) o reduce el desempeño. Podrá reducirse la caída de voltaje si se utiliza un cable más pesado con un calibre mayor. Asegúrese de escoger un cable que suministre suficiente voltaje para operar su herramienta o reflector. Las tablas más abajo indican el calibre apropiado para los alargadores y la caída de voltaje producida al utilizar alargadores, para diferentes cargas eléctricas.

⚠ **ADVERTENCIA:** Mantenga los cables eléctricos en buenas condiciones. No utilice cables gastados, quemados o pelados porque pueden provocar descargas eléctricas.

⚠ **ADVERTENCIA:** El equipo puede sobrecalentarse al operarlo a bajo voltaje. El cable del alargador puede sobrecalentarse si se utiliza un alargador demasiado largo.

| Voltios | CALIBRE MÍNIMO PARA ALARGADORES | | | |
|---------|----------------------------------|--------|---------|---------|
| | Longitud Total del Cable en Pies | | | |
| 120V | 0-25 | 26-50 | 51-100 | 101-150 |
| 240V | 0-50 | 51-100 | 101-200 | 201-300 |

| Rango de Amperaje | AWG | AWG | AWG | AWG |
|-------------------|-----|-----|-----|----------------|
| 0-10 (A) | 16 | 16 | 14 | 14 |
| 10-13 (A) | 16 | 16 | 14 | 12 |
| 13-16 (A) | 14 | 14 | 12 | 12 |
| 16-25 (A) | 12 | 12 | 12 | 10 |
| 25-30 (A) | 10 | 10 | 10 | No Recomendado |

| Alargador Longitud | Carga Corriente | Caída de Voltaje | | | |
|--------------------|-----------------|------------------|--------|--------|--------|
| | | 16 AWG | 14 AWG | 12 AWG | 10 AWG |
| 25 pies | 10A | 2,0 | 1,3 | 0,8 | 0,5 |
| | 15A | 3,0 | 1,9 | 1,2 | 0,8 |
| | 20A | 4,0 | 2,5 | 1,6 | 1,1 |
| | 30A | 6,0 | 3,8 | 2,3 | 1,6 |
| 50 pies | 10A | 4,0 | 2,5 | 1,6 | 1,1 |
| | 15A | 6,0 | 3,8 | 2,3 | 1,6 |
| | 20A | 8,0 | 5,0 | 3,1 | 2,1 |
| | 30A | 12,0 | 7,5 | 4,7 | 3,2 |
| 100 pies | 10A | 8,0 | 5,0 | 3,1 | 2,1 |
| | 15A | 12,0 | 7,5 | 4,7 | 3,2 |
| | 20A | 16,0 | 10,0 | 6,2 | 4,2 |
| | 30A | 24,0 | 15,0 | 9,3 | 6,3 |
| 150 pies | 10A | 12,0 | 7,5 | 4,7 | 3,2 |
| | 15A | 18,0 | 11,3 | 7,0 | 4,7 |
| | 20A | 24,0 | 15,0 | 9,3 | 6,3 |
| | 30A | 36,0 | 22,5 | 14,0 | 9,5 |

Instrucciones Importantes de Seguridad para Unidades de Batería

El DC020 suministrará luz si es usado con unidades de batería DEWALT de 12-18 Voltios de níquel cadmio, hidruro metálico de níquel y de iones de litio.

Cuando solicite unidades de batería de repuesto, no olvide indicar el número de catálogo y el voltaje. Las unidades de alimentación con tiempo de operación extendido duran más que las unidades de alimentación tradicionales. Consulte la tabla contenida en este manual para ver la compatibilidad entre cargadores y unidades de batería.

La unidad de batería no viene completamente cargada de fábrica. Antes de usar la unidad de batería y el reflector, lea las siguientes instrucciones de seguridad. Luego, siga los procedimientos de carga indicados.

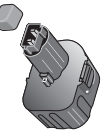
LEA TODAS LAS INSTRUCCIONES

- Cargue las unidades de alimentación sólo en cargadores DEWALT.
- NO salpique con ni sumerja en agua u otros líquidos.
- No guarde ni use la herramienta y unidad de batería en lugares donde la temperatura podría alcanzar o superar los 40 °C (105 °F), (tales como cobertizos o construcciones de metal en verano).

⚠ **PELIGRO:** Peligro electrocución. Nunca intente abrir la unidad de batería por ningún motivo. Si la caja exterior de la unidad de batería se triza o daña, no la introduzca en el cargador. Puede causar descargas eléctricas o electrocución. Lleve sus unidades de batería dañadas a un centro de servicio para que sean recicladas.

NOTA: Se han incluido protectores para el almacenaje y transporte de la batería. Estos deben ser usados cuando la batería no esté conectada a la herramienta ni esté en el cargador. Recuerde retirarle el protector antes de poner la batería en el cargador o conectarla a la herramienta.

⚠ **ADVERTENCIA:** Peligro de incendio. No guarde ni transporte la batería de manera que objetos metálicos puedan hacer contacto con los terminales expuestos de la batería. Por ejemplo, no ponga la batería en delantales, bolsillos, cajas de herramientas, estuches de productos, cajones, etc. junto con clavos, tornillos, llaves, etc. sin su protector. El transporte de baterías puede causar incendios si sus terminales inadvertidamente entran en contacto con materiales conductores como llaves, monedas, herramientas de mano y otros por el estilo. El Reglamento sobre Materiales Peligrosos (HMR) del Ministerio de Transporte de los Estados Unidos, de hecho, prohíbe el transporte de baterías en el comercio o en aviones (es decir, embaladas en maletas y maletines de mano) A NO SER que estén debidamente protegidas de cortos circuitos. Por lo tanto, cuando transporte baterías individuales, asegúrese de que sus terminales estén protegidos y debidamente aislados de materiales que pudieran entrar en contacto con ellos y causar un cortocircuito.



INSTRUCCIONES DE SEGURIDAD ESPECÍFICAS PARA BATERÍAS DE NÍQUEL CADMIO (NICD) O HIDRURO METÁLICO DE NIQUEL (NIMH)

- **NO incinere la unidad de batería, aunque esté completamente dañada o descargada.** La unidad de batería puede explotar si se quema.
- **Puede que ocurra una pequeña fuga del elemento de la batería bajo condiciones de uso, carga o temperaturas extremas.** Esto no indica un defecto. Sin embargo, si el sello externo está roto:
 - a. y el líquido de la batería entra en contacto con sus ojos, enjuáguelos con agua limpia por un tiempo mínimo de 10 minutos y busque atención médica inmediata.
 - b. y el líquido de la batería entra en contacto con sus ojos, enjuáguelos con agua limpia por un tiempo mínimo de 10 minutos y busque atención médica inmediata. (**Nota médica:** El líquido es una solución de hidróxido de potasio en una concentración de 25 a 35%.)

INSTRUCCIONES DE SEGURIDAD ESPECÍFICAS PARA BATERÍAS DE IONES DE LITIO (LI-ION)

- **NO incinere la unidad de batería, aunque esté completamente dañada o descargada.** La unidad de batería puede explotar si se quema. Cuando se queman unidades de batería de iones de litio, se producen gases y materiales tóxicos.
- **Si el contenido de la batería entra en contacto con la piel, lave el área de inmediato con agua y un jabón suave.** Si el líquido de la batería entra en contacto con sus ojos, enjuáguelos con agua y los ojos abiertos por 15 minutos o hasta que cese la irritación. Si se requiere de asistencia médica, el electrolito de la batería está compuesto por una mezcla de carbonatos orgánicos líquidos y sales de litio.
- **El contenido de los elementos abiertos de la batería puede causar irritación en el tracto respiratorio.** Salga al aire fresco. Si los síntomas persisten, busque asistencia médica.

⚠ **ADVERTENCIA:** Riesgo de quemadura. El líquido de la batería puede ser inflamable si se expone a chispas o llamas.

El Sello RBRC™

El Sello RBRC™ (Rechargeable Battery Recycling Corporation) en las baterías (o unidades de batería) de níquel cadmio, hidruro metálico de níquel o de iones de litio indica que el costo de reciclaje de estas baterías (o unidades de batería) al final de su vida útil ya ha sido pagado por DEWALT. En algunas áreas es ilegal depositar las baterías de níquel-cadmio, hidruro metálico de níquel o de iones de litio gastadas en la basura o la corriente de residuos sólidos urbanos; el programa RBRC proporciona una alternativa medio ambiental conveniente.



RBRC™, en cooperación con DEWALT y otros usuarios de baterías, han establecido programas en los Estados Unidos y Canadá, para facilitar la recolección de baterías gastadas de níquel-cadmio. Al llevar sus baterías de níquel cadmio, hidruro metálico de níquel y de iones de litio gastadas a un centro de servicio autorizado por DEWALT o al minorista local para que sean recicladas, ayuda a proteger el medio ambiente y a conservar recursos naturales. También puede comunicarse con el centro de reciclaje de su localidad para que le informen acerca de los lugares donde puede regresar las baterías gastadas.

RBRC™ es una marca comercial registrada de la Rechargeable Battery Recycling Corporation.

COMPONENTES (Fig. 1)

- | | |
|--------------------------------------|-------------------------------|
| A. Conmutador de encendido y apagado | H. Bombilla fluorescente |
| B. Mango | I. Lente de Cubierta |
| C. Puerto de conexión de la batería | J. Caja externa del reflector |
| D. Tomas de corriente de CA | K. Brazo de soporte |
| E. Cable de alimentación | L. Junta de goma |
| F. Sujetacables incorporado | M. Protector de la bombilla |
| G. Seguro de la batería | |

OPERACIÓN

Operación con CA

1. Desenvuelva el cable y enchúfelo en la toma de corriente de 120 V CA en la pared.
2. Los dos enchufes ahora están activos y listo para usar.

NOTA: Los dos enchufes están activos solo cuando se utiliza CA.

Operación de la Batería (Fig. 2)

1. Coloque el DC020 plegado sobre una superficie estable y nivelada, con el lente de cubierta (I) boca abajo.
2. Levante el seguro de la batería (G) con una mano e inserte unidad de batería dentro del puerto de conexión de la batería (C). Lentamente coloque el seguro de la batería sobre la unidad de batería para sostenerla con firmeza.
3. Con una mano sosteniendo firmemente el mango (B), use la otra mano para levantar la caja externa del reflector (J).

Uso (Fig. 1, 3)

1. Coloque el DC020 plegado sobre una superficie estable y nivelada.
2. La caja externa del reflector puede ser colocada en diferentes posiciones. Con una mano sosteniendo firmemente el mango (B), use la otra mano para levantar el brazo de soporte (K) hasta una de las cinco posiciones ilustradas.
3. Coloque el reflector en la posición de su preferencia. Presiones el conmutador de encendido y apagado (A) en ON.

Cuando termine de usar el reflector, coloque el conmutador de encendido y apagado en OFF, pliegue la caja externa del reflector hacia abajo para su almacenamiento.

Cambio de la Bombilla Fluorescente (Fig. 1, 4)

⚠ **ADVERTENCIA:** Peligro de descarga eléctrica. Desconecte la unidad de batería y desenchufe la herramienta antes de cambiar la bombilla fluorescente. Estas medidas de seguridad preventiva reducen el riesgo de lesiones personales.

⚠ **ATENCIÓN:** El sentido de la visión puede verse afectado al mirar directamente una luz fluorescente.

⚠ ATENCIÓN: Riesgo de cortadura. Cuando esté cambiando una bombilla quebrada, proteja sus manos antes de intentar retirar la bombilla. No retire del área del enchufe y con sus manos desnudas, ningún pedazo de vidrio o bombilla quebrados, o puede causar lesiones corporales. Para cambiar la bombilla fluorescente, la caja externa del reflector debe estar en una posición levantada, como lo muestra la Figura 1.

ATENCIÓN: Para evitar daños al reflector, NO separe la junta de goma del lente de cubierta. La junta de goma está siempre instalada.

NOTA: Como reemplazo se recomienda la bombilla fluorescente DEWALT DC0213 de 38W.

NOTA: Evite tocar la superficie reflectante. La contaminación de la superficie disminuirá la reflectividad.

- Con una mano sosteniendo firmemente la esquina inferior de la caja externa del reflector (J) y el lente de cubierta (I), use la otra mano para retirar la junta de goma (L) de la caja externa del reflector, comenzando por una de las esquinas inferiores.
- Siga sosteniendo firmemente la caja externa del reflector para retirar la junta de goma de los lados de la caja externa, finalizando en la parte superior.
- Retire la junta de goma (L) y el lente de cubierta (I) y colóquelos a un lado.
- Con una mano sosteniendo firmemente la esquina inferior de la caja externa del reflector, use la otra mano para retirar el protector de la bombilla (M). Suavemente presione los lados del protector de la bombilla, con el dedo pulgar y el índice, para liberarla de los ganchos. Coloque a un lado el protector de la bombilla.
- Con una mano, asegure la esquina inferior de la caja externa del reflector. Utilice su otra mano para sujetar firmemente la bombilla fluorescente (H) en su centro y sostener la caja externa blanca de plástico que se encuentra debajo del protector de la bombilla. Mientras sujeta la parte central inferior, retire cuidadosamente la bombilla de la caja externa del reflector, tal y como se ilustra. Asegúrese que el enchufe y su área circundante está libre de sucio, polvo y otros contaminantes.
- Alinee la bombilla fluorescente de reemplazo en la misma posición que tenía la bombilla anterior. Con una mano, asegure la esquina inferior de la caja externa del reflector. Utilice su otra mano para cuidadosamente hacer presión sobre el centro de la caja externa de plástico de la bombilla y de esta forma ajustarla en su sitio.
- Una vez que la bombilla de reemplazo este colocada en su sitio, presione cuidadosamente el centro de la caja externa de plástico de la bombilla para asegurarse que está conectada correctamente. Cambie el protector de la bombilla enganchándolo a la caja externa del reflector.
- Cambie el lente de cubierta. Coloque la junta de goma en una de las esquinas superiores y deslice la junta sobre la otra esquina superior, terminando en la parte inferior. Asegúrese que la junta de goma esté firmemente colocada alrededor de la caja externa del reflector.

MANTENIMIENTO

Notas de Reparación

Este producto no debe ser reparado por el usuario. A excepción de la bombilla de reemplazo, en el interior del reflector no existen piezas que puedan ser reparadas por el usuario. Es necesario llevarlo a reparar a un centro de servicio autorizado para evitar daños a componentes internos que son sensibles a la electricidad estática.

Limpieza

⚠ ADVERTENCIA: Antes limpiar, retire la unidad de batería y desconecte el reflector de la toma de corriente de CA. Nunca utilice solventes u otros químicos fuertes cuando limpie las piezas no metálicas de la herramienta. Estos compuestos químicos pueden debilitar los materiales plásticos usados en estas piezas. Use un paño humedecido con agua y jabón suave. Jamás permita que le entre líquido a la herramienta; jamás sumerja parte alguna de la herramienta dentro de un líquido.

Reparaciones

Para asegurar la SEGURIDAD y CONFIABILIDAD del producto, las reparaciones, el mantenimiento y los ajustes (incluyendo la inspección y cambio de escobillas) deberán ser realizados por centros de servicio de la fábrica DEWALT, un centro autorizado de servicio DEWALT u otro personal de servicio calificado. Siempre use repuestos idénticos.

Póliza de Garantía

IDENTIFICACIÓN DEL PRODUCTO:

Sello o firma del Distribuidor.

Nombre del producto: _____ Mod./Cat.: _____

Marca: _____ Núm. de serie: _____

(Datos para ser llenados por el distribuidor)

Fecha de compra y/o entrega del producto: _____

Nombre y domicilio del distribuidor donde se adquirió el producto: _____

Este producto está garantizado por un año a partir de la fecha de entrega, contra cualquier defecto en su funcionamiento, así como en materiales y mano de obra empleados para su fabricación. Nuestra garantía incluye la reparación o reposición del producto y/o componentes sin cargo alguno para el cliente, incluyendo mano de obra, así como los gastos de transportación razonablemente erogados derivados del cumplimiento de este certificado.

Para hacer efectiva esta garantía deberá presentar su herramienta y esta póliza sellada por el establecimiento comercial donde se adquirió el producto, de no contar con ésta, bastará la factura de compra.

EXCEPCIONES.

Esta garantía no será válida en los siguientes casos:

- Cuando el producto se hubiese utilizado en condiciones distintas a las normales;
- Cuando el producto no hubiese sido operado de acuerdo con el instructivo de uso que se acompaña;
- Cuando el producto hubiese sido alterado o reparado por personas distintas a las enlistadas al final de este certificado.

Anexo encontrará una relación de sucursales de servicio de fábrica, centros de servicio autorizados y franquiciados en la República Mexicana, donde podrá hacer efectiva su garantía y adquirir partes, refacciones y accesorios originales.

Garantía limitada por tres años

DEWALT reparará, sin cargo, cualquier falla que surja de defectos en el material o la fabricación del producto, por hasta tres años a contar de la fecha de compra. Esta garantía no cubre fallas de las piezas causadas por su desgaste normal o abuso a la herramienta. Para mayores detalles sobre la cobertura de la garantía e información acerca de reparaciones realizadas bajo garantía, visítenos en www.DEWALT.com o dirígase al centro de servicio más cercano. Esta garantía no aplica a accesorios o a daños causados por reparaciones realizadas o intentadas por terceros. Esta garantía le otorga derechos legales específicos, además de los cuales puede tener otros dependiendo del estado o la provincia en que se encuentre.

Además de la garantía, las herramientas DEWALT están cubiertas por:

1 AÑO DE SERVICIO GRATUITO

DEWALT mantendrá la herramienta y reemplazará las piezas gastadas por su uso normal, sin cobro, en cualquier momento durante un año a contar de la fecha de compra. Los artículos gastados por la clavadora, tales como la unidad de hoja y retorno del impulsador, no están cubiertas.

GARANTÍA DE REEMBOLSO DE SU DINERO POR 90 DÍAS

Si no está completamente satisfecho con el desempeño de su máquina herramienta, láser o clavadora DEWALT, cualquiera sea el motivo, podrá devolverlo hasta 90 días de la fecha de compra con su recibo y obtener el reembolso completo de su dinero – sin necesidad de responder a ninguna pregunta.

AMÉRICA LATINA: Esta garantía no se aplica a los productos que se venden en América Latina. Para los productos que se venden en América Latina, debe consultar la información de la garantía específica del país que viene en el empaque, llamar a la compañía local o visitar el sitio Web a fin de obtener esa información.

REEMPLAZO GRATUITO DE LAS ETIQUETAS DE ADVERTENCIAS: Si sus etiquetas de advertencia se vuelven ilegibles o faltan, llame al 1-800-4-DEWALT para que se le reemplacen gratuitamente.

⚠ WARNING/ADVERTENCIA/AVERTISSEMENT
TO REDUCE THE RISK OF INJURY, USER MUST READ INSTRUCTION MANUAL. USE ONLY WITH DEWALT BATTERIES. LENSES MAY BECOME HOT DURING USE. SHOCK HAZARD, REMOVE BATTERY PACK AND UNPLUG AC POWER BEFORE REPLACING BULBS. HOUSEHOLD USE ONLY, DRY LOCATION USE ONLY.
POR FAVOR LEA EL MANUAL DE INSTRUCCIONES PARA LA OPERACIÓN SEGURA DEL PRODUCTO. HAGA FUNCIONAR SOLAMENTE CON LAS BATERÍAS DEWALT. LAS LENTES PUEDEN CALENTARSE DURANTE EL USO. PELIGRO DE DESCARGA ELÉCTRICA. QUILTE EL PAQUETE DE LA BATERÍA Y DESENCHUFE LA CORRIENTE ALTERNIA ANTES DE SUSTITUIR BULBOS. USO DE LA CASA SOLAMENTE, PARA USO EN LUGARES SECOS SOLAMENTE.
À TITRE PRÉVENTIF, LIRE LE GUIDO. UTILISER UNIQUEMENT AVEC LES PILES DEWALT. LA LENTILLE DEVIENT CHAUDE DURANT L'UTILISATION DE LA LAMPRE. RISQUE DE CHOC ÉLECTRIQUE. ENLEVEZ LE PAQUET DE BATTERIE ET DÉBRANCHEZ LE COURANT ALTERNATIF AVANT DE REMPLACER DES AMPOULES. UTILISATION DANS UN ENDROIT SEC SEULEMENT, UTILISATION D'HUMIDITÉ SEULEMENT.

⚠ CAUTION RISK OF FIRE. USE ONLY 2D TYPE 38 WATTS LAMPS.
⚠ PRECAUCIÓN/MISE EN GARDE
RIESGO DE INCENDIO. UTILICE ÚNICAMENTE LAMPARAS DE 38 WATTS. TIPO 2D.
UNIQUEMENT DES AMPOULES DE TYPE 2D DE 38 WATTS.

⚠ WARNING
REMOVE BATTERY PACK AND UNPLUG AC POWER BEFORE REPLACING BULB.
⚠ ADVERTENCIA
QUITE EL PAQUETE DE LA BATERÍA Y DESENCHUFE LA CORRIENTE ALTERNIA ANTES DE SUSTITUIR EL BULBO.
⚠ AVERTISSEMENT
ENLEVEZ LE PAQUET DE BATTERIE ET DÉBRANCHEZ LE COURANT ALTERNATIF AVANT DE REMPLACER L'AMPOULE.

PARA REPARACIÓN Y SERVICIO DE SUS HERRAMIENTAS ELÉCTRICAS, FAVOR DE DIRIGIRSE AL CENTRO DE SERVICIO MÁS CERCANO

CULIACAN, SIN

Blvd. Emiliano Zapata 5400-1 Poniente
Col. San Rafael

(667) 717 89 99

GUADALAJARA, JAL

Av. La Paz #1779 - Col. Americana Sector Juárez

(33) 3825 6978

MEXICO, D.F.

Eje Central Lázaro Cárdenas No. 18
Local D, Col. Obrera

(55) 5588 9377

MERIDA, YUC

Calle 63 #459-A - Col. Centro

(999) 928 5038

MONTERREY, N.L.

Av. Francisco I. Madero 831 Poniente - Col. Centro

(818) 375 23 13

PUEBLA, PUE

17 Norte #205 - Col. Centro

(222) 246 3714

QUERETARO, QRO

Av. San Roque 274 - Col. San Gregorio

(442) 2 17 63 14

SAN LUIS POTOSI, SLP

Av. Universidad 1525 - Col. San Luis

(444) 814 2383

TORREON, COAH

Blvd. Independencia, 96 Pte. - Col. Centro

(871) 716 5265

VERACRUZ, VER

Prolongación Díaz Mirón #4280 - Col. Remes

(229) 921 7016

VILLAHERMOSA, TAB

Constitución 516-A - Col. Centro

(993) 312 5111

PARA OTRAS LOCALIDADES:

Si se encuentra en México, por favor llame al (55) 5326 7100

Si se encuentra en U.S., por favor llame al

1-800-433-9258 (1-800 4-DEWALT)

SOLAMENTE PARA PROPÓSITO DE MÉXICO:
IMPORTADO POR: DEWALT S.A. DE C.V.
BOSQUES DE CIDROS, ACCESO RADIATAS NO.42
3A. SECCIÓN DE BOSQUES DE LAS LOMAS
DELEGACIÓN CUAJIMALPA,
05120, MÉXICO, D.F.
TEL. (52) 555-326-7100
R.F.C.: BDE810626-1W7

Para servicio y ventas consulte
"HERRAMIENTAS ELÉCTRICAS"
en la sección amarilla.



| Battery | Output | Chargers/Charge Time – Chargeurs/Durée de charge (Minutes) – Cargadores de baterías/Tiempo de carga (Minutos) | | | | | | | | | | | | | | | | | | | | | |
|------------|---------|---|--------|--------|--------|--------|--------|--------|--------|-------|-------|-------|----------|--------|--------|--------|--------|--------|--------|---|--|--|--|
| | | 120 Volts | | | | | | | | | | | 12 Volts | | | | | | | | | | |
| Cat Number | Voltage | DW9106 | DW9118 | DW9107 | DW9108 | DW9116 | DW9216 | DW9117 | DW9111 | DC011 | DC021 | DC022 | DC9000 | DC9310 | DC9320 | DW0246 | DW0249 | DW9109 | DC9319 | | | | |
| DC9360 | 36 | X | X | X | X | X | X | X | X | X | X | X | 60 | X | X | X | X | X | X | X | | | |
| DC9280 | 28 | X | X | X | X | X | X | X | X | X | X | X | 60 | X | X | X | X | X | X | X | | | |
| DW0242 | 24 | X | X | X | X | X | X | X | X | X | X | X | X | X | X | 60 | X | X | X | X | | | |
| DC9096 | 18 | X | X | X | X | X | X | X | X | X | X | X | X | X | X | X | X | X | X | X | | | |
| DC9099 | 18 | X | X | X | X | X | X | X | X | X | X | X | X | X | X | X | X | X | X | X | | | |
| DC9180 | 18 | X | X | X | X | X | X | X | X | X | X | X | X | X | X | X | X | X | X | X | | | |
| DW9096 | 18 | X | X | X | X | X | X | X | X | X | X | X | X | X | X | X | X | X | X | X | | | |
| DW9098 | 18 | X | X | X | X | X | X | X | X | X | X | X | X | X | X | X | X | X | X | X | | | |
| DW9099 | 18 | X | X | X | X | X | X | X | X | X | X | X | X | X | X | X | X | X | X | X | | | |
| DW9091 | 14.4 | 90 | 115 | 60 | 60 | 60 | 60 | 60 | 60 | 60 | 60 | 60 | X | X | X | X | X | X | X | X | | | |
| DC9094 | 14.4 | 60 | 90 | 45 | 45 | 45 | 45 | 45 | 45 | 45 | 45 | 45 | X | X | X | X | X | X | X | X | | | |
| DW9091 | 14.4 | 60 | 90 | 45 | 45 | 45 | 45 | 45 | 45 | 45 | 45 | 45 | X | X | X | X | X | X | X | X | | | |
| DW9094 | 14.4 | 45 | 60 | 30 | 30 | 30 | 30 | 30 | 30 | 30 | 30 | 30 | X | X | X | X | X | X | X | X | | | |
| DC9071 | 12 | 90 | 115 | 60 | 60 | 60 | 60 | 60 | 60 | 60 | 60 | 60 | X | X | X | X | X | X | X | X | | | |
| DW9050 | 12 | 40 | X | X | X | X | X | X | X | X | X | X | X | X | X | X | X | X | X | X | | | |
| DW9071 | 12 | 60 | 90 | 45 | 45 | 45 | 45 | 45 | 45 | 45 | 45 | 45 | X | X | X | X | X | X | X | X | | | |
| DW9072 | 12 | 45 | 60 | 30 | 30 | 30 | 30 | 30 | 30 | 30 | 30 | 30 | X | X | X | X | X | X | X | X | | | |
| DW9048 | 9.6 | 40 | X | X | X | X | X | X | X | X | X | X | X | X | X | X | X | X | X | X | | | |
| DW9061 | 9.6 | 60 | 90 | 45 | 45 | 45 | 45 | 45 | 45 | 45 | 45 | 45 | X | X | X | X | X | X | X | X | | | |
| DW9062 | 9.6 | 45 | 60 | 30 | 30 | 30 | 30 | 30 | 30 | 30 | 30 | 30 | X | X | X | X | X | X | X | X | | | |
| DW9057 | 7.2 | 45 | 60 | 30 | 30 | 30 | 30 | 30 | 30 | 30 | 30 | 30 | X | X | X | X | X | X | X | X | | | |

X Indicates that the battery pack is not compatible with that specific charger.

X indique que le bloc-piles n'est pas compatible avec ce chargeur.

Una "X" indica que el paquete de baterías no es compatible con ese determinado cargador.

All charge times are approximate. Actual charge time may vary. Read the instruction manual for more specific information.

Les durées de charge sont approximatives; la durée de charge réelle peut varier. Lire le manuel d'utilisation pour obtenir des renseignements plus précis.

El tiempo de duración de carga es aproximado; la duración de carga real puede variar. Lea el manual de instrucciones para obtener información más precisa.