

*If you have questions or comments, contact us.  
Pour toute question ou tout commentaire, nous contacter.  
Si tiene dudas o comentarios, contáctenos.*

**1-800-4-DEWALT • [www.dewalt.com](http://www.dewalt.com)**

**INSTRUCTION MANUAL  
GUIDE D'UTILISATION  
MANUAL DE INSTRUCCIONES**

INSTRUCTIVO DE OPERACIÓN, CENTROS DE SERVICIO Y PÓLIZA DE GARANTÍA. **ADVERTENCIA:** LÉASE ESTE INSTRUCTIVO ANTES DE USAR EL PRODUCTO.

**DEWALT®**

**D55270, D55270T, D55271, D55271T, D55275, D55276**

**Contractor's Gas Wheeled Portable Air Compressor**

**Compresseur d'air portatif à essence, sur roues, de classe entrepreneur**

**Compresor de aire portátil a gasolina con ruedas para contratistas**

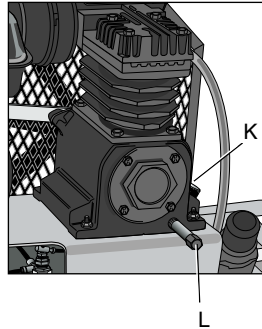
## Air Compressor

- A. Pump Air Intake Filter
- B. Engine Air Filter
- C. Engine On/Off Switch
- D. Air Tank Pressure Gauge
- E. Regulated Pressure Gauge
- F. Pressure Regulator
- G. Air Outlet
- H. Unloader Valve
- I. Safety Valve
- J. Air Tank Drain Valve(s)
- K. Pump Oil Dipstick/Oil Fill Plug
- L. Pump Oil Drain Plug

## Pump Specifications

### K PUMP

Inline, vertical twin cylinder  
 Single Stage  
 Oil Lubricated  
 Cast Iron crankcase cylinder, and head  
 Bore: 2-1/2" (63.5 mm)  
 Stroke: 2" (50.8 mm)  
 Weight: 47 lbs. ( 21.32 kg.)  
 Oil Capacity: 14 oz. (414 mL)



## Pump Specifications

### G PUMP

V - twin 4 cylinder  
 Single Stage  
 Oil Lubricated  
 Cast Iron crankcase cylinder, and head  
 Bore: 2-1/2" (63.5 mm)  
 Stroke: 2-3/8" (60.33 mm)  
 Weight: 69 lbs. (31.3 kg.)  
 Oil Capacity: 30 oz. (887 mL)

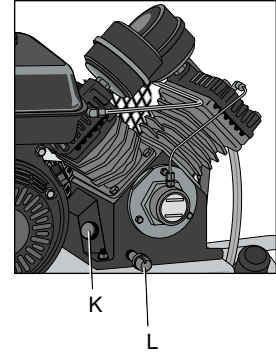
## Engine Specifications

### 5.5 HP HONDA GX160

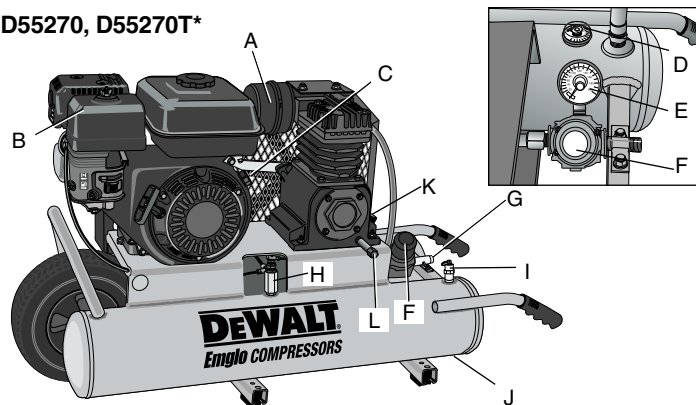
Internal Combustion  
 4-stroke  
 3450 RPM

### 9 HP HONDA HONDA GX270

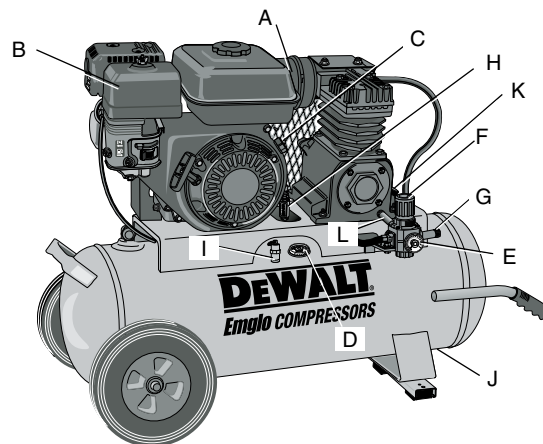
Internal Combustion  
 4-stroke  
 3450 RPM



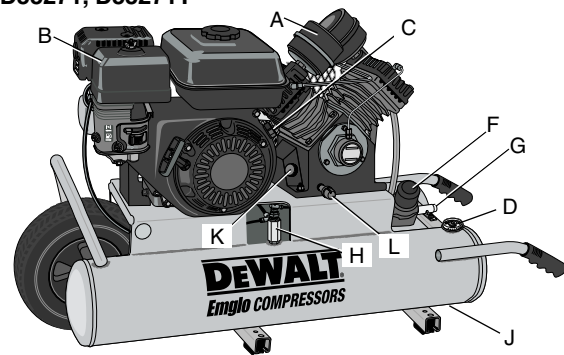
D55270, D55270T\*



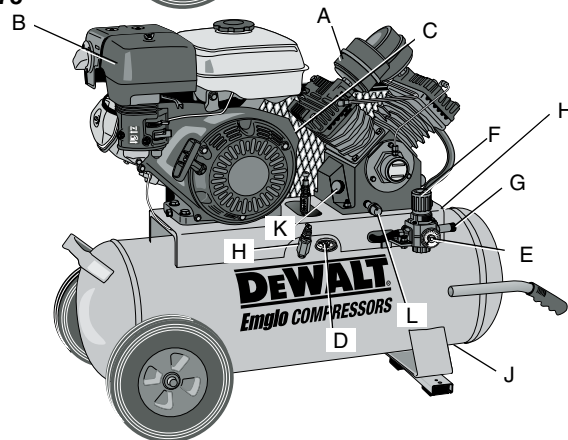
D55276



D55271, D55271T\*



D55275

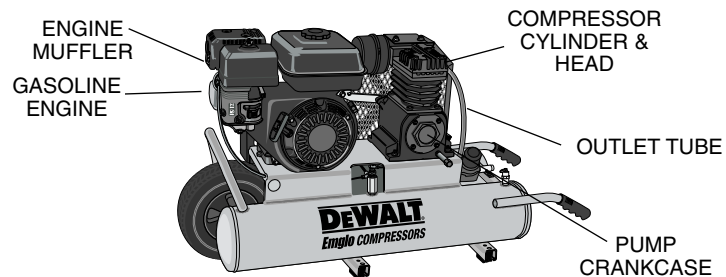
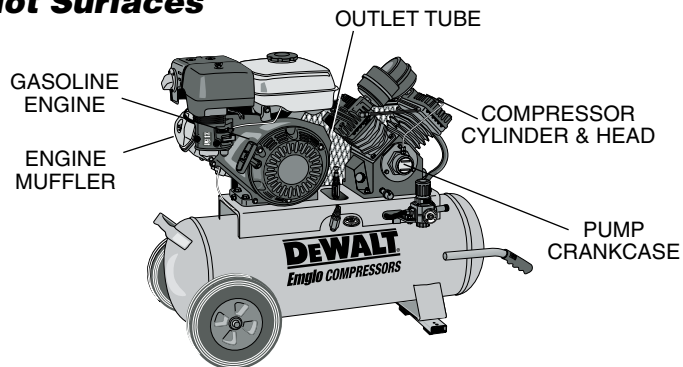


\*Denotes 2-wheeled version

## Specifications

MODEL	D55270	D55271	D55275	D55276
WEIGHT	160 lbs. (72.57 kg)	213 lbs. (96.62 kg)	238 lbs. (107.96 kg)	185 lbs. (83.91 kg)
HEIGHT	25" (635 mm)	27.75" (704.85 mm)	33.75" (857.25 mm)	31" (787.4 mm)
WIDTH	18.25" (463.55 mm)	18.25" (463.55 mm)	20.25" (514.35 mm)	20.25" (514.35 mm)
LENGTH	43" (1092.2 mm)	43" (1092.2 mm)	43" (1092.2 mm)	43" (1092.2 mm)
AIR TANK CAPACITY (GALLONS)	8 (30.3 liters)	8 (30.3 liters)	17 (64.4 liters)	17 (64.4 liters)
APPROX. BLOW OFF PRESSURE	125 PSI (1034.2 kPa)	125 PSI (1034.2 kPa)	125 PSI (1034.2 kPa)	125 PSI (1034.2 kPa)
SCFM @ 100 PSI (275.8 kPa)	8.9	16.2	16.2	8.9
PUMP	K Pump	G Pump	G Pump	K Pump
ENGINE	5.5 HP HONDA GX160	9 HP HONDA GX270	9 HP HONDA GX270	5.5 HP HONDA GX160

## Hot Surfaces



## Definitions: Safety Guidelines

The definitions below describe the level of severity for each signal word. Please read the manual and pay attention to these symbols.

**▲DANGER:** Indicates an imminently hazardous situation which, if not avoided, **will** result in **death** or **serious injury**.

**▲WARNING:** Indicates a potentially hazardous situation which, if not avoided, **could** result in **death** or **serious injury**.

**▲CAUTION:** Indicates a potentially hazardous situation which, if not avoided, **may** result in **minor** or **moderate injury**.

**CAUTION:** Used without the safety alert symbol indicates a potentially hazardous situation which, if not avoided, **may** result in **property damage**.

IF YOU HAVE ANY QUESTIONS OR COMMENTS ABOUT THIS OR ANY DEWALT TOOL, CALL US TOLL FREE AT: **1-800-4-DEWALT (1-800-433-9258)**

## Important Safety Instructions

**▲WARNING:** Do not operate this unit until you read and understand this instruction manual and the engine instruction manual for safety, operation and maintenance instructions.

**▲WARNING:** This product may not be equipped with a spark-arresting muffler. If the product is not equipped and will be used around flammable materials or on land covered with materials such as agricultural crops, forest, brush, grass or other similar items, then an approved spark arrester must be installed and is legally required

in the state of California. It is a violation of California statutes section 130050 and/or sections 4442 and 4443 of the California Public Resources Code, unless the engine is equipped with a spark arrester, as defined in section 4442, and maintained in effective working order. Spark arresters are also required on some U.S. Forest Service land and may also be legally required under other statutes and ordinances.

**▲WARNING:** This product contains chemicals, including lead, known to the State of California to cause cancer, and birth defects or other reproductive harm. Wash hands after handling.

## SAVE THESE INSTRUCTION



### ▲DANGER: RISK OF EXPLOSION OR FIRE

#### WHAT CAN HAPPEN

- Spilled gasoline and it's vapors can become ignited from cigarette sparks, electrical arcing, exhaust gases and hot engine components such as the muffler.
- Heat will expand fuel in the tank which could result in spillage and possible fire explosion.

#### HOW TO PREVENT IT

- Shut off engine and allow it to cool before adding fuel to the tank.
- Use care in filling tank to avoid spilling fuel. Move unit away from fueling area before starting engine.
- Keep maximum fuel level 1/2" (12.7 mm) below bottom of filler neck to allow for expansion.

- **Combustible materials which come into contact with hot engine parts can become ignited.**
- Add fuel outdoors in a well ventilated area. Make sure there are no sources of ignition, such as cigarettes near refueling location.
- Operate compressor in a clean, dry, well ventilated area a minimum of 48" (1.22 meters) from any building, object or wall. Do not operate unit indoors or in any confined area.
- Operate compressor in an open area away from dry brush, weeds or other combustible materials.
- Store fuel in an OSHA-approved container, in a secure location away from work area.
- Always remain in attendance with the product when it is operating.
- Improperly stored fuel could lead to accidental ignition. Fuel improperly secured could get into the hands of children or other unqualified persons.
- **Unattended operation of this product could result in personal injury or property damage. To reduce the risk of fire, do not allow the compressor to operate unattended.**



### **▲ DANGER: RISK TO BREATHING (ASPHYXIATION)**

#### **WHAT CAN HAPPEN**

- Breathing exhaust fumes will cause serious injury or death! Engine exhaust contains carbon monoxide, an odorless and deadly gas.
- The compressed air directly from your compressor is not safe for breathing. The air stream may contain carbon monoxide, toxic vapors, or solid particles from the air tank. Breathing these contaminant's can cause serious injury or death.

#### **HOW TO PREVENT IT**

- Always operate air compressor outside in a clean, well ventilated area. Avoid enclosed areas such as garages, basements, storage sheds, which lack a steady exchange or air. Keep children, pets and others away from area of operation.
- Air obtained directly from the compressor should never be used to supply air for human consumption. In order to use air produced by this compressor for breathing, suitable filters and in-line safety equipment must be properly installed. In-line filters and safety equipment used in conjunction with the compressor must be capable of treating air to all applicable local and federal codes prior to human consumption.

- Sprayed materials such as paint, paint solvents, paint remover, insecticides, weed killers, may contain harmful vapors and poisons.
- Work in an area with good cross ventilation. Read and follow the safety instructions provided on the label or safety data sheets for the materials you are spraying. Always use certified safety equipment: NIOSH/OSHA respiratory protection designed for use with your specific application.



**▲ DANGER: RISK OF INJURY OR PROPERTY DAMAGE WHEN TRANSPORTING OR STORING**

**WHAT CAN HAPPEN**

- Oil can leak or spill and could result in fire or breathing hazard; serious injury or death can result. Oil leaks will damage carpet, paint or other surfaces in vehicles or trailers.

**HOW TO PREVENT IT**

- Always place compressor on a protective mat when transporting to protect against damage to vehicle from leaks. Remove compressor from vehicle immediately upon arrival at your destination. Always keep compressor level and never lie on its side.



**▲ WARNING: RISK OF BURSTING**

**Air Tank:** The air tank on your Air Compressor is designed and may be UM coded (for units with air tanks greater than 6 inch diameter) according to ASME Section VIII, Div. 1 rules. All pressure vessels should be inspected once every two years. To find your state pressure vessels inspector, look under the Division of Labor and Industries in the government section of a phone book or call 1-800-4-DEWALT for assistance. The following conditions could lead to a weakening of the air tank, and result in a violent air tank explosion:

**WHAT CAN HAPPEN**

- Failure to properly drain condensed water from air tank, causing rust and thinning of the steel air tank.
- Modifications or attempted repairs to the air tank.
- Unauthorized modifications to the unloader valve, safety valve, or any other components which control air tank pressure.

**HOW TO PREVENT IT**

- Drain air tank daily or after each use. If air tank develops a leak, replace it immediately with a new air tank or replace the entire compressor.
- Never drill into, weld, or make any modifications to the air tank or its attachments. Never attempt to repair a damaged or leaking air tank. Replace with a new air tank.
- The air tank is designed to withstand specific operating pressures. Never make adjustments or parts substitutions to alter the factory set operating pressures.

- **FOR K PUMP UNITS**

Excessive vibration can weaken the air tank and cause rupture or explosion. Excessive vibration will occur if the compressor is not properly mounted or if engine operates above recommended RPM.

- Do not remove the stiffener bar connecting the compressor pump to the engine, except to adjust belt tension. Then securely tighten the stiffener bar bolts. This bar controls unit vibration.

#### Attachments & accessories:

- Exceeding the pressure rating of air tools, spray guns, air operated accessories, tires, and other inflatables can cause them to explode or fly apart, and could result in serious injury.
- Follow the equipment manufacturers recommendation and never exceed the maximum allowable pressure rating of attachments. Never use compressor to inflate small low pressure objects such as children's toys, footballs, basketballs, etc.

#### Tires:

- Over inflation of tires could result in serious injury and property damage.
- Use a tire pressure gauge to check the tires pressure before each use and while inflating tires; see the tire sidewall for the correct tire pressure.

**NOTE:** Air tanks, compressors and similar equipment used to inflate tires can fill small tires similar to these very rapidly. Adjust pressure regulator on air supply to no more than the rating of the tire pressure. Add air in small increments and frequently use the tire gauge to prevent over inflation.



### ▲WARNING: RISK FROM FLYING OBJECTS

#### WHAT CAN HAPPEN

- The compressed air stream can cause soft tissue damage to exposed skin and can propel dirt, chips, loose particles, and small objects at high speed, resulting in property damage or personal injury.

#### HOW TO PREVENT IT

- Always wear certified safety equipment: ANSI Z87.1 eye protection (CAN/CSA Z94.3) with side shields when using the compressor.
- Never point any nozzle or sprayer toward any part of the body or at other people or animals.
- Always turn the compressor off and bleed pressure from the air hose and air tank before attempting maintenance, attaching tools or accessories.





### **▲WARNING: RISK OF HOT SURFACES**

#### **WHAT CAN HAPPEN**

- Touching exposed metal such as the compressor head, engine head, engine exhaust or outlet tubes, can result in serious burns.

#### **HOW TO PREVENT IT**

- Never touch any exposed metal parts on compressor during or immediately after operation. Compressor will remain hot for several minutes after operation
- Do not reach around protective shrouds or attempt maintenance until unit has been allowed to cool.



### **▲WARNING: RISK FROM MOVING PARTS**

#### **WHAT CAN HAPPEN**

- The engine can start accidentally if the flywheel is turned by hand or moved by pulling on the starter rope.

#### **HOW TO PREVENT IT**

- Always disconnect the spark plug and bleed pressure from the air tank before performing maintenance.

- Moving parts such as the pulley, flywheel, and belt can cause serious injury if they come into contact with you or your clothing.
- Never operate the compressor with guards or covers which are damaged or removed.
- Keep your hair, clothing, and gloves away from moving parts. Loose clothes, jewelry, or long hair can be caught in moving parts.
- Air vents may cover moving parts and should be avoided as well.
- Any repairs required on this product should be performed by a DEWALT factory service center or a DEWALT authorized service center.
- Attempting to operate compressor with damaged or missing parts or attempting to repair compressor with protective shrouds removed can expose you to moving parts and can result in serious injury.



### ▲WARNING: RISK OF UNSAFE OPERATION

#### WHAT CAN HAPPEN

- Unsafe operation of your air compressor could lead to serious injury or death to you or others.

#### HOW TO PREVENT IT

- Review and understand all instructions and warnings in this manual.
- Become familiar with the operation and controls of the air compressor.
- Keep operating area clear of all persons, pets, and obstacles.
- Keep children away from the air compressor at all times.
- Do not operate the product when fatigued or under the influence of alcohol or drugs. Stay alert at all times.
- Never defeat the safety features of this product.
- Equip area of operation with a fire extinguisher.
- Do not operate machine with missing, broken, or unauthorized parts.
- Never stand on the compressor.



### ▲WARNING: RISK OF INJURY FROM LIFTING

#### WHAT CAN HAPPEN

- Serious injury can result from attempting to lift too heavy an object.

#### HOW TO PREVENT IT

- The compressor is too heavy to be lifted by one person. Obtain assistance from others before lifting.



### ▲CAUTION: RISK FROM NOISE

#### WHAT CAN HAPPEN

- Under some conditions and duration of use, noise from this product may contribute to hearing loss.

#### HOW TO PREVENT IT

- Always wear certified safety equipment: ANSI S12.6 (S3.19) hearing protection.

## SAVE THESE INSTRUCTIONS FOR FUTURE USE

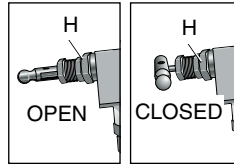
## FEATURES

### UNLOADER VALVE

When the maximum air tank pressure is obtained, the unloader valve (H) will blow-off. This will cause the compressor to exhaust the air to the atmosphere and not the tank.

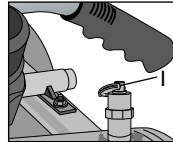
**Manual Lock:** The manual lock allows you to manually unload the compressor with air pressure in the air tank. To operate the manual lock:

Rotate the manual lock/unloader lever to the **open** position to prevent air tank pressure buildup. Rotate manual lock/unloader lever to the **closed** position after starting the engine to allow air tank pressure to build. **NOTE:** Air will not build in tank when manual lock/unloader lever is in the **open** position.



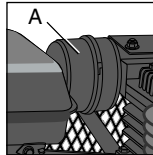
### SAFETY VALVE

This valve (I) is designed to prevent system failures by relieving pressure from the system when the compressed air reaches a predetermined level. The valve is preset by the manufacturer and must not be removed or modified in any way.



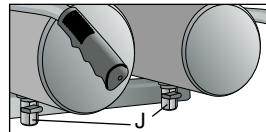
### AIR INTAKE FILTER

The filter (A) is designed to clean air entering the pump. To ensure the pump continually receives a clean, cool, and dry air supply the filter must always be clean and the filter intake must be free from obstructions.



### AIR TANK DRAIN VALVE

The drain valve (J) is used to remove moisture from the air tank after the air compressor is shut off.

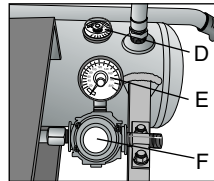


### AIR TANK PRESSURE GAUGE

The air tank pressure gauge (D) indicates air pressure in the air tank.

### REGULATED PRESSURE GAUGE

The regulated pressure gauge (E) indicates the air pressure available at the outlet side of the regulator. This pressure is controlled by the regulator and is always less or equal to the air tank pressure.



### REGULATOR

The regulator knob (F) controls the air pressure coming from the air tank.

#### To Adjust Regulator:

1. Pull regulator knob (F) out.
2. Turn knob clockwise to increase regulated pressure and counterclockwise to decrease regulated pressure.
3. When desired pressure is shown on the regulated pressure gauge push knob in to lock.

### THROTTLE CONTROL

When maximum air tank pressure is reached and the unloader valve vents air, it activates the throttle control on the engine. This gas saving feature holds the engine at a factory-set idling speed until air pressure in the air tank drops to reset pressure. The unloader valve then reactivates the throttle control and accelerates the engine to full throttle.

### LOW OIL SHUT DOWN SENSORS

The air compressor engine is equipped with a low oil shutdown sensor. This is a safety device designed to protect your engine from damage in the event the oil level in the crankcase is below minimum.

If the oil in the engine gets low while the air compressor is running it will automatically shut down the engine and will not restart until oil is added to the engine or pump. If the oil is low before start-up, the engine will not start until oil is added.

**NOTE:** The low oil shutdown sensor is very sensitive. You must fill the engine and pump to the full mark on the dipstick to inactivate this safety device.

## INSTALLATION

### Assembly (Fig. 1)

#### INSTALLING HOSES

**▲WARNING:** Risk of unsafe operation. Firmly grasp hose in hand when installing or disconnecting to prevent hose whip.

1. Ensure regulated pressure gauge reads 0 PSI (0 kPa).
2. Apply sealant tape to hose threads.
3. Assemble hose to air outlet (G). **IMPORTANT:** Do not assemble splitters directly to the air outlet (G).

**NOTE:** Assembling quick connect bodies to air outlet (G) and quick connect plugs to hose ends make connecting and disconnecting hoses simple and easy. Quick connect bodies and plugs are available for purchase from your local dealer or authorized service center.

#### DISCONNECTING HOSES

**▲WARNING:** Risk of unsafe operation. Firmly grasp hose in hand when installing or disconnecting to prevent hose whip.

1. Ensure regulated pressure gauge reads 0 PSI (0 kPa).
2. Remove hose(s) from air outlet(s) (G).

### Lubrication and Oil

#### ENGINE

1. The engine was filled **WITH** oil at the manufacturer. Check engine oil level before operating unit. If necessary, fill engine to the appropriate level with recommended oil, see engine's instruction manual supplied by engine manufacturer for correct procedure.
2. Add fuel to engine. See engine's instruction manual supplied by engine manufacturer for correct procedure.

**▲WARNING:** Risk of explosion or fire. Gasoline vapor is highly flammable. Refuel outdoors preferably, or only in well-ventilated areas. Do not refuel or check gasoline level while the engine is running. Do not store, spill, or use gasoline near an open flame, a source of sparks (such as welding), or near operating electrical equipment.

#### AIR COMPRESSOR

The air compressor pump was filled **WITH** oil at the manufacturer. Check air compressor pump oil level before operating unit. See **Compressor Pump Oil** under *Maintenance*.

### Compatibility

Air tools and accessories that are run off the compressor must be compatible with petroleum based products. If you suspect that a material is not compatible with petroleum products, an air line filter for removal of moisture and oil vapor in compressed air is required.

**NOTE:** Always use an air line filter to remove moisture and oil vapor when spraying paint.

### Location

**▲WARNING:** Risk of breathing. Exhaust from the gasoline engine contains deadly carbon monoxide, which is odorless and toxic. Operate engine only in well ventilated areas.

**▲CAUTION:** Risk of property damage. In order to avoid damaging the air compressor, do not allow the unit to be tilted more than 10° when operating.

Place air compressor at least 4 feet (1.2 m) away from obstacles that may prevent proper ventilation. Keep unit away from areas that have dirt, vapor and volatile fumes in the atmosphere which may clog and gum up the intake filter and valves, causing inefficient operation.

## HUMID AREAS

In frequently humid areas, moisture may form in the pump and produce sludge in the oil, causing running parts to wear out prematurely. Excessive moisture is especially likely to occur if the unit is located in an unheated area that is subject to large temperature changes. Two signs of excessive humidity are external condensation on the pump when it cools down and a “milky” appearance in compressor oil. You may be able to prevent moisture from forming in the pump by increasing ventilation or operating for longer intervals.

## NOISE CONSIDERATIONS

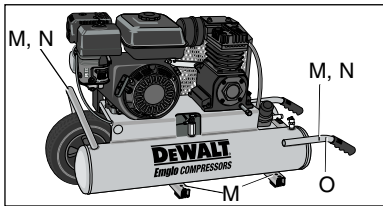
Consult local officials for information regarding acceptable noise levels in your area. To reduce excessive noise, use vibration mounts or silencers, relocate the unit or construct total enclosures or baffle walls. Contact a DEWALT service center or call 1-800-4-DEWALT for assistance.

## TRANSPORTING

**▲WARNING:** Risk injury from lifting. Unit weighs more than 160 lbs. (72.6 kg) Do not move or lift without assistance.

**▲CAUTION:** Risk of property damage. The wheels and handle do not provide adequate clearance, stability or support for pulling the unit up and down stairs or steps. The unit must be lifted, or pushed up a ramp.

When transporting the compressor in a vehicle, trailer, etc. ensure that the air tank is drained and the unit is secured and placed on a flat horizontal surface. **NOTE:** Use recommended tie down points (M) when transporting. Use care when driving so to avoid tipping the unit over in the vehicle.



Damage can occur to the unit or surrounding items if unit is tipped. Use a ramp if loading or unloading the unit from a height of more than 12" (304.8 mm).

## LIFTING

Always use two people when lifting and lift from the recommended lift points (N).

**▲WARNING:** Risk injury from lifting. Unit weighs more than 160 lbs. (72.6 kg) Do not move or lift without assistance.

## MOVING

1. Grasp handle (O) of compressor, and lift compressor high enough so unit can be rolled on the front tire(s).

**▲WARNING:** Risk of unsafe operation. Ensure proper footing and use caution when rolling compressor so that unit does not tip or cause loss of balance.

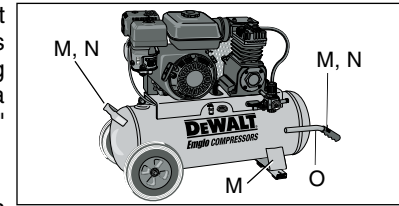
2. When location is reached slowly lower rear of compressor to ground. Always store compressor in a horizontal position.

**NOTE:** Should the unit tip over, hard starting and smoking will occur due to oil spillage.

## PREPARATION FOR USE

### Pre-Start Checklist (Fig. 1)

1. Ensure engine ON/OFF switch (C) is in the OFF position.
2. Ensure air tank is drained, see **Draining Air Tank** under **Maintenance**.
3. Ensure the drain valve (J) is closed.
4. Ensure safety valve (I) is functioning properly, see **Checking Safety Valve** under **Maintenance**.



5. Check pump oil level, see **Compressor Pump Oil** under *Maintenance*.

**▲CAUTION:** Do not operate without oil or with inadequate oil. DEWALT is not responsible for compressor failure caused by inadequate oil.

6. Check engine's oil and fuel level, see engine's instruction manual for correct procedures.

7. Visually inspect drive belt. Replace belt if frayed, cracked, or worn.  
**NOTE:** Outer belt cover must be removed to inspect drive belt.

8. Ensure all guards, covers, and labels are in place, legible (for labels) and securely mounted. Do not use compressor until all items have been verified.

### **Initial Set-up (Fig. 1)**

**▲WARNING:** Do not operate this unit until you read and understand this instruction manual and the engine instruction manual for safety, operation and maintenance instructions.

#### **BREAK-IN PROCEDURE**

**▲WARNING:** Risk of property damage. Serious damage may result if the following break-in instructions are not closely followed.

**This procedure is required:**

- Before the air compressor is used for the first time.
- When the unloader valve has been replaced.
- When the compressor pump has been replaced.

**The procedure:**

1. Follow **Pre-Start Checklist** under *Preparation for Use*.
2. Rotate the unloader's manual lock to the **open** position to prevent air tank pressure buildup.
3. Open the pressure regulator. Pull regulator knob (F) out and rotate clockwise until it stops.

**▲WARNING:** Do not operate this unit until you read and understand the engine instruction's manual for safety, operation and maintenance instructions.

4. Prepare engine for first time use, see engine's instruction manual for correct procedure.
5. Turn the engine ON/OFF switch (C) to the ON position.
6. Start engine, see engine's instruction manual for correct procedure.
7. Run the air compressor for **30 minutes** to seat the rings and lubricate all the internal surfaces. Ensure there is no pressure build up in the air tank by observing the reading on the air tank pressure gauge.
8. Rotate the manual lock on the unloader valve into the **closed** position so the air tank pressure can build.
9. Close the pressure regulator. Rotate the regulator knob (F) counterclockwise to its built-in stop and push knob in to lock in place. This will allow air to build pressure in the air tank.
10. Compressed air will be available from the hose air outlet until it is used up or bled off.

## **OPERATING PROCEDURES**

### **Start-up (Fig. 1)**

1. Follow **Pre-Start Checklist** under *Preparation for Use*.
2. Pull out and turn regulator knob (F) counterclockwise until fully closed. Push in to lock. Regulated pressure gauge should read 0 PSI (0 kPa).
3. Rotate the manual lock unloader lever to the **open** position to assist with start up.
4. Turn the engine ON/OFF switch (C) to the ON position.
5. Start engine, see engine's instruction manual for correct procedure.

6. Rotate manual lock unloader lever to the **closed** position to allow air tank pressure to build. **NOTE:** Pump will not operate with the manual lock unloader lever in the **open** position.

7. Allow compressor to pump up to **blow off** pressure.

**NOTE:** If any unusual noise or vibration is noticed, stop the compressor and refer to the troubleshooting section.

**NOTE:** The air compressor pump is capable of running continuously. To prolong the air compressor's life, it is recommended to run at high throttle 50-75% of the run time and idle for 25% of the run time

8. Attach hose and accessory.

**▲CAUTION:** Risk of unsafe operation. Compressed air from the unit may contain water condensation and oil mist. Do not spray unfiltered air at an item that could be damaged by moisture. Some air operated tools or devices may require filtered air. Read the instructions for the air tool or device.

9. Adjust regulator (F) to desired setting. See **Regulator** under *Features*.

## Shut-down

1. Stop engine, see engine's instruction manual for correct procedure.

**NOTE:** If finished using compressor, follow Steps 2–6.

2. Turn regulator knob (F) counterclockwise until fully closed. Ensure regulated pressure gauge reads 0 PSI (0 kPa).

3. Remove hose and accessory.

4. Drain the air tank. See **Draining Air Tank** under *Maintenance*.

**▲WARNING:** Risk of bursting. Drain air tank daily. Water will condense in air tank. If not drained, water will corrode and weaken the air tank causing a risk of air tank rupture.

5. Allow the compressor to cool down.

6. Wipe air compressor clean and store in a safe, non freezing area.

## MAINTENANCE

The following procedures must be followed when maintenance or service is performed on the air compressor.

1. Ensure engine ON/OFF switch (C) is in the OFF position.

2. Disconnect spark plug wire.

3. Drain air tank.

4. Allow air compressor to cool down before starting service

**NOTE:** All compressed air systems contain maintenance parts (e.g. oil, filters, separators) that are periodically replaced. These used parts may contain substances that are regulated and must be disposed of in accordance with local, state, and federal laws and regulations.

**NOTE:** Take note of the positions and locations of parts during disassembly to make reassembly easier.

**NOTE:** Any service operations not included in this section should be performed by a DEWALT factory service center or a DEWALT authorized service center.

## Maintenance Chart

Procedure	Daily	Weekly	Monthly	1 year or 200 Hours
Check safety valve	X			
Inspect air filter +		X		
Drain air tank	X			
Check pump oil level	X			
Change pump oil***				X
Oil leak inspection	X			
Inspect drive belt	X			
Check drive belt tension			X	

Procedure	Daily	Weekly	Monthly	1 year or 200 Hours
Check pulley/flywheel alignment				X
Check for unusual noise/vibration	X			
Check for air leaks*	X			
Clean compressor exterior		X		
Engine	See engine instruction manual.			
* To check for air leaks apply a solution of soapy water around joints. While compressor is pumping to pressure and after pressure cuts out, look for air bubbles to form.				
** The pump oil must be changed after the first 20 hours of operation. Thereafter, when using DEWALT synthetic compressor oil, change oil every 200 hours of operation or once a year, whichever comes first.				
+ Perform more frequent in dusty or humid conditions.				

### Checking Safety Valve (Fig. 1)

**▲WARNING:** Hot surfaces. Risk of burn. Aftercooler, pump head, and surrounding parts are very hot, do not touch (see the Hot Surfaces identified in Fig. 2). Allow compressor to cool prior to servicing.

**▲WARNING:** Risk of bursting. If the safety valve does not work properly, over-pressurization may occur, causing air tank rupture or an explosion.

Before starting compressor, pull the ring on the safety valve to make sure that the safety valve operates freely. If the valve is stuck or does not operate smoothly, it must be replaced with the same type of valve.

### Checking Air Filter Element (Fig. 1)

**▲WARNING:** Hot surfaces. Risk of burn. Aftercooler, pump head, and surrounding parts are very hot, do not touch (see the Hot Surfaces identified in Fig. 2). Allow compressor to cool prior to servicing.

1. Ensure engine ON/OFF switch (C) is in the OFF position.
2. Allow unit to cool.
3. Remove filter (A) top from filter base by turning filter counter-clockwise about 5 degrees.
4. Separate filter top from base.
5. Remove element from filter base.
6. If element needs cleaning, blow out with air. Replace if needed. Purchase replacement parts from your local dealer or authorized service center. Always use identical replacement parts.
7. Place element back in filter base.
8. Reconnect filter top to filter base. While pushing in, rotate clockwise 5 degrees.

**▲CAUTION:** Risk of unsafe operation. Do not operate without air inlet filter.

### Draining Air Tank (Fig. 1)

**▲WARNING:** Risk of unsafe operation. Risk from noise. Air tanks contain high pressure air. Keep face and other body parts away from outlet of drain. Use safety glasses when draining as debris can be kicked up into face. Use ear protection (ANSI S12.6 (S3.19) hearing protection) as air flow noise is loud when draining.

**NOTE:** All compressed air systems generate condensate that accumulates in any drain point (e.g., tanks, filter, aftercoolers, dryers). This condensate contains lubricating oil and/or substances which may be regulated and must be disposed of in accordance with local, state, and federal laws and regulations.



1. Ensure engine ON/OFF switch (C) is in the OFF position.
2. Place a suitable container under the drain valve to catch discharge.
3. Grasp black lever on drain valve.
4. Slowly rotate lever to gradually bleed air from air tank.
5. When air tank pressure gauge reads 10 PSI (68.9 kPa), rotate valve to the fully open position.
6. Close drain valve when finished.

## Compressor Pump Oil (Fig. 1)

### CHECKING OIL

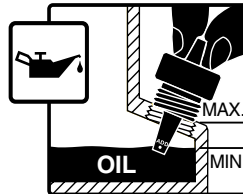
**▲WARNING:** Hot surfaces. Risk of burn. Aftercooler, pump head, and surrounding parts are very hot, do not touch (see the Hot Surfaces identified in Fig. 2). Allow compressor to cool prior to servicing.

**▲CAUTION:** Risk of Unsafe Operation. Overfilling with oil will cause premature compressor failure. Do not overfill.

**NOTE:** When filling the crankcase, the oil flows very slowly into the pump. If the oil is added too quickly, it will overflow and appear to be full.

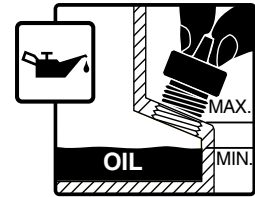
1. Ensure engine ON/OFF switch (C) is in the OFF Position.
2. Place unit on a flat level surface.
3. **FOR K PUMP UNITS**

- Remove dipstick (K) and wipe clean.
- Insert and remove dipstick without threading dipstick into crankcase as shown in figure.
- Check the oil level on dipstick. If oil level is at or below “Add”, oil needs to be added. Add DEWALT synthetic oil to the proper maximum level as shown in figure.



### FOR G PUMP UNITS

- Remove oil fill plug (K).
  - Check the oil level. Oil should not exceed top raised line on side of crankcase. (Oil will be even with bottom of threads in crankcase fill port), if needed add DEWALT synthetic oil to the proper level.
4. Replace dipstick/oil fill plug and tighten securely.



### CHANGING OIL

**NOTE:** Pump oil contains substances that are regulated and must be disposed of in accordance with local, state and federal laws and regulations.

**▲WARNING:** Hot surfaces. Risk of burn. Aftercooler, pump head, and surrounding parts are very hot, do not touch (see the Hot Surfaces identified in Fig. 2). Allow compressor to cool prior to servicing.

1. Ensure engine ON/OFF switch (C) is in the OFF position.
2. Allow the unit to cool.
3. Disconnect spark plug wire.
4. Drain air tank.
5. Locate a suitable container under pump drain plug (J).
6. Remove the dipstick/oil fill plug (K) from crankcase.
7. Remove the oil drain plug (L).
8. Allow ample time for all oil to drain out. (Tilting the compressor towards the drain plug will assist in draining.)
9. Install the oil drain plug.
10. Fill pump with DEWALT synthetic compressor oil.

**FOR K PUMP UNITS**

The oil level should be at “Add” on the dipstick.

**FOR G PUMP UNITS**

Oil should not exceed top raised line on side of crankcase. (Oil will be even with bottom of threads in crankcase fill port.)

11. Replace dipstick/oil fill plug and tighten securely.
12. Reconnect spark plug wire.

**Checking Belt Tension (Fig. 1)**

**▲WARNING:** Hot surfaces. Risk of burn. Aftercooler, pump head, and surrounding parts are very hot, do not touch (see the Hot Surfaces identified in Fig. 2). Allow compressor to cool prior to servicing.

1. Ensure engine ON/OFF switch (C) is in the OFF position.
2. Allow the unit to cool.
3. Disconnect spark plug wire.
4. Drain air tank.

**5. FOR K PUMP UNITS**

Remove six belt guard mounting screws (two on the pump head and four on the deck)

**FOR G PUMP UNITS**

Remove seven belt guard mounting screws and J-hook (two on the pump head and four on the deck).

6. Remove outer belt cover.
7. Measure belt tension. Proper tension is achieved when a three (3) pound weight or equivalent finger pressure applied midway between the motor pulley and compressor flywheel causes a 1/4" (6.35 mm) deflection of the belt. If adjustment is needed see **Adjusting Belt Tension** under *Maintenance*.
8. Replace belt guard.
9. Reconnect spark plug wire.

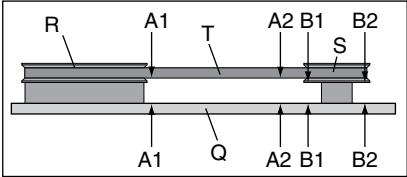
**Adjusting Belt Tension**

**▲WARNING:** Hot surfaces. Risk of burn. Aftercooler, pump head, and surrounding parts are very hot, do not touch (see the Hot Surfaces identified in Fig. 2). Allow compressor to cool prior to servicing.

1. Follow procedures 1-6 in **Checking Belt Tension** under *Maintenance*.
  2. Scribe a mark at the base of the pump on the deck to be used as a reference.
  3. Loosen four pump mounting nuts.
  4. **FOR K PUMP UNITS ONLY**  
Loosen but do not remove pump stiffener bracket bolt.
  5. Remove the belt.
  6. Scribe a mark approximately 1/8" from the original mark.
  7. Slide the pump to the new mark and retighten the pump mounting nuts.
- ▲WARNING:** Risk of moving parts. Use caution when rolling belt onto flywheel, fingers can get caught between the belt and flywheel.
8. With the pump secure, roll the belt over the flywheel and the pulley.
  9. Check the belt tension again. See Step 7 in **Checking Belt Tension** under *Maintenance*.
  10. When tension is correct, torque four pump mounting nuts (Torque to 6–8 ft.-lbs./8.1–10.8 Nm), stiffener bracket bolt (Torque to 10–12 ft.-lbs./13.5–16.3 Nm), and replace belt cover.
  11. Reconnect spark plug wire.

## Pulley and Flywheel Alignment

The air compressor flywheel and engine pulley must be in-line (in the same plane) within 1/16" (1.6 mm) to ensure belt retention within flywheel belt grooves. To check alignment:

1. Ensure engine ON/OFF switch (C) is in the OFF Position.
  2. Allow the unit to cool.
  3. Disconnect spark plug wire.
  4. Drain air tank.
  5. Remove outer belt cover.
  6. Place a straightedge (Q) against the outside of the flywheel (R) and the engine drive pulley (S).
- 
7. Measure the distance between the edge of the belt (T) and the straightedge at points A1 and A2 in Figure. The difference between measurements should be no more than 1/16" (1.6 mm).
  8. If the difference is greater than 1/16" (1.6 mm), loosen the setscrew holding the engine drive pulley to the shaft and adjust the pulley's position on the shaft until the A1 and A2 measurements are within 1/16" (1.6 mm) of each other.
  9. Tighten the engine drive pulley setscrew. Torque to 145–165 in.-lbs. (16.4–18.6 Nm).
  10. Visually inspect the engine drive pulley to verify that it is perpendicular to the drive motor shaft. Points B1 and B2 of Figure should appear to be equal. If they are not, loosen the setscrew of the engine drive pulley and equalize B1 and B2, using care not to disturb the belt alignment performed in Step 8.

11. Retighten the engine drive pulley setscrew. Torque to 145–165 in.-lbs. (16.4–18.6 Nm).
12. Reinstall belt guard.
13. Reconnect spark plug wire.

## ACCESSORIES

Recommended accessories for use with your tool are available for purchase from your local dealer or authorized service center. If you need assistance in locating any accessory for your tool, please contact DEWALT Industrial Tool Co., 701 East Joppa Road, Baltimore, MD 21286, call 1-800-4-DEWALT (1-800-433-9258) or visit our website [www.dewalt.com](http://www.dewalt.com).

**▲CAUTION:** The use of any other accessory not recommended for use with this tool could be hazardous. Use only accessories rated equal to or higher than the rating of the air compressor.

## SERVICE INFORMATION

Please have the following information available for all service calls:  
 Model Number \_\_\_\_\_ Serial Number \_\_\_\_\_  
 Date and Place of Purchase \_\_\_\_\_

## Repairs

To assure product SAFETY and RELIABILITY, repairs, maintenance and adjustment should be performed by a DEWALT factory service center, a DEWALT authorized service center or other qualified service personnel. Always use identical replacement parts.

## Full One Year Warranty

DEWALT heavy duty industrial tools are warranted for one year from date of purchase. We will repair, without charge, any defects due to faulty materials or workmanship. For warranty repair information, call 1-800-4-DEWALT. This warranty does not apply to accessories or damage caused where repairs have been made or attempted by others. This warranty gives you specific legal rights and you may have other rights which vary in certain states or provinces.

**LATIN AMERICA:** This warranty does not apply to products sold in Latin America. For products sold in Latin America, see country specific warranty information contained either in the packaging, call the local company or see website for warranty information.

**FREE WARNING LABEL REPLACEMENT:** If your warning labels become illegible or are missing, call 1-800-4-DEWALT for a free replacement.

<p><b>▲ WARNING</b></p> <p>LEAVERE DE BEVEGENDE DELEN EN ANDERE GEVAARLIJKE DELEN. VERZICHT U OP GEVAARLIJKE DELEN EN ANDERE GEVAARLIJKE DELEN. VERZICHT U OP GEVAARLIJKE DELEN EN ANDERE GEVAARLIJKE DELEN. VERZICHT U OP GEVAARLIJKE DELEN EN ANDERE GEVAARLIJKE DELEN.</p>	<p><b>▲ ADVERTENCIA</b></p> <p>PREVENIR EL RIESGO DE LESIONES AL MANEJAR O CONECTAR CABLES, ACCESORIOS O HERRAMIENTAS.</p>	<p><b>▲ AVERTISSEMENT</b></p> <p>PRÉVENIR LE RISQUE DE BLESSURES EN MANIPULANT, BRANlant ou connectant des câbles, accessoires ou outils.</p>
---	--	---

**▲ WARNING** THE ENGINE EXHAUST FROM THIS PRODUCT CONTAINS CARBON MONOXIDE WHICH IS DANGEROUS TO YOUR HEALTH. TO AVOID EXHAUST GAS INHALATION, OPERATE THIS PRODUCT IN WELL VENTILATED AREAS. ALWAYS USE APPROPRIATE SAFETY EQUIPMENT. ALWAYS WEAR YOUR SAFETY GLASSES.

**▲ ADVERTENCIA** EL GASEO DEL MOTOR DE ESTE PRODUCTO CONTIENE MONÓXIDO DE CARBONO, UN GAS CALIENTE Y DANGEROZO QUE PUEDE CAUSAR LA INHALACION DE GASEOS. OPERAR ESTE PRODUCTO EN ÁREAS BIEN VENTILADAS. SIEMPRE USAR EQUIPO DE SEGURIDAD ADECUADO. SIEMPRE USAR SUS GOGGLES DE PROTECCION.

**▲ AVERTISSEMENT** L'ÉCHAUFFEMENT DU MOTEUR PRODUIT DE CO MONOXIDE, UN GAZ CHAUDE ET DANGEREUX QUI PEUT CAUSER L'INHALATION DE GAZES. OPERER CE PRODUIT DANS DES ENDROITS BIEN VENTILÉS. TOUJOURS PORTER VOS ÉQUIPEMENTS DE SÉCURITÉ APPROPRIÉS.

**▲ WARNING** HOT SURFACES  
**▲ ADVERTENCIA** SUPERFICIES CALIENTES  
**▲ AVERTISSEMENT** SURFACES CHAUDES

<p><b>▲ WARNING</b></p> <p><b>DRAIN TANK DAILY</b></p> <p>TO AVOID EXHAUSTION OF OIL, DRAIN OIL FROM THE OIL PAN DAILY. OIL PAN EXHAUSTION MAY CAUSE RESULTS IN YOUR ENGINE.</p> <p>SEE MANUAL FOR INSPECTION PROCEDURES. TO MAINTAIN YOUR ENGINE'S OIL LEVEL, THE COMPRESSOR TO HAPPY ACCUMULATOR MUST BE.</p>	<p><b>▲ ADVERTENCIA</b></p> <p><b>DRENE EL TANQUE A DIARIO</b></p> <p>DESPUÉS DE CADA HORAS DE USO, LA RECOLECCIÓN DE COMBUSTIBLE DEBE SER REVISADA CORRECTAMENTE PARA EVITAR QUE SE AGOTEN LAS RESERVAS DE OIL EN SU MOTOR.</p> <p>CONSULTE EL MANUAL PARA CONOCER LOS PROCEDIMIENTOS DE INSPECCIÓN.</p> <p>PARA MANTENER EL NIVEL DE OIL EN SU MOTOR, LA COMPRESORA DE OIL DEBE SER REVISADA CORRECTAMENTE.</p>	<p><b>▲ AVERTISSEMENT</b></p> <p><b>PURGER LE RESERVOIR QUOTIDIENNEMENT</b></p> <p>APRÈS CHAQUE HEURE D'UTILISATION, LA COLLECTE DU COMBUSTIBLE DOIT ÊTRE RÉVISÉE CORRECTEMENT POUR ÉVITER QUE LE RÉSERVOIR DE LA COMPRESSEUR NE SE VIDE.</p> <p>SE RÉFÉRER AU MANUEL D'UTILISATION POUR CONNAÎTRE LES PROCÉDURES D'INSPECTION.</p> <p>POUR GARDER LE NIVEL DU NIVEAU DE LA COMPRESSEUR D'HUILE, CELLE-CI DOIT ÊTRE RÉVISÉE CORRECTEMENT.</p>
---	---	---

## GLOSSARY

**CFM:** Cubic feet per minute.

**SCFM:** Standard cubic feet per minute; a unit of measure of air delivery.

**PSI:** Pounds per square inch; a unit of measure of pressure.

**kPa (kilopascal):** Metric pressure measurement. 1 kilopascal equal 1000 pascals.

**Code Certification:** Products that bear one or more of the following marks: UL, CUL, ETL, CETL, have been evaluated by OSHA certified independent safety laboratories and meet the applicable Underwriters Laboratories Standards for Safety.

**California Code:** Unit may comply with California Code 462 (I) (2)/(M) (2). Specification/model label is on the side of the air tank on units that comply with California Code.

**Unloader Blow-Off Pressure:** All models are continuous running units controlled by air tank pressure. When the maximum air tank pressure is obtained, the unloader valve will blow-off. This will cause the compressor to exhaust the air to the atmosphere and not the tank. This decreases the load on the engine and allows it to run at a near no-load condition.

**Unloader Reset Pressure:** When the air tank pressure drops to a predetermined point, the unloader valve closes. The air tank pressure will now increase until it reaches the unloader blow-off pressure.

## **Troubleshooting Guide**

This section provides a list of the more frequently encountered malfunctions, their causes and corrective actions. The operator or maintenance personnel can perform some corrective actions, and others may require the assistance of a qualified DEWALT technician or your dealer.

<b>Problem</b>	<b>Code</b>
Excessive air tank pressure-safety valve pops off .....	1
Air leaks .....	2
Continuous air leak at unloader valve.....	3
Air leaks in air tank or at air tank welds .....	4
Air leaks between head and valve plate .....	5
Air leaks from safety valve.....	6
Compressor is not supplying enough air to operate accessories.....	2,7,8,9,10,12,13
Restricted air intake .....	12
Excessive vibration .....	14,15
Knocking Noise.....	6,13,14,15,16,17,18,19
Excessive belt wear .....	13,14,16,19,20
Squealing sound .....	13
Engine will not run .....	21,22,23,34
Pressure reading on the regulated pressure gauge drops when an accessory is used .....	24
Regulator knob has continuous air leak .....	25
Regulator will not shut off air outlet .....	25
Moisture in pump crankcase.....	2,5,11,26,27,28,29,30,31
Pump will not run.....	32
Air tank pressure will not build.....	32,33

## Troubleshooting Codes

CODE	POSSIBLE CAUSE	POSSIBLE SOLUTION
1	Unloader valve does not release pressure when air tank reaches <b>blow-off</b> pressure	Unloader valve must be replaced. Contact a DEWALT factory service center or a DEWALT authorized service center.
2	Fittings are not tight	Tighten fittings where air can be heard escaping. Check fittings with soapy water solution. <b>DO NOT OVERTIGHTEN.</b>
3	Defective unloader valve	Turn off engine, rotate manual lock unloader lever to the <b>closed</b> perpendicular position. If air leaks out of air tank through unloader valve, replace unloader valve.
4	Defective air tank	Air tank must be replaced. Do not repair the leak. <b>▲WARNING:</b> Risk of bursting. Do not drill into, weld or otherwise modify air tank or it will weaken. The air tank can rupture or explode.
5	Leaking seals	Contact a DEWALT factory service center or a DEWALT authorized service center.
6	Defective safety valve	Operate safety valve manually by pulling on ring. If valve still leaks, it must be replaced.
7	Prolonged excessive use of air	Decrease amount of air usage.
8	Compressor is not large enough for accessory	Check the accessory air requirement. If it is higher than the SCFM or pressure supplied by your air compressor, a larger compressor is needed to operate accessory.
9	Hole in air hose	Check and replace air hose, if required.
10	Unloader valve restricted	Remove, clean or replace.
11	Unit operating in damp or humid conditions	Move unit to a dry well ventilated area.
12	Restricted air intake filter	Clean or replace air intake filter.

CODE	POSSIBLE CAUSE	POSSIBLE SOLUTION
13	Loose belt	Check belt tension, see <b>Adjusting Belt Tension</b> under <i>Maintenance</i> .
14	D55270, D55270T, D55275, D55276 Engine or pump mounting nuts are loose. D55271, D55271T Engine mounting bolts or pump mounting nuts are loose.	Torque pump mounting nuts to 6–8 ft.-lbs. (8.1–10.8 Nm). Torque engine mounting bolts to 8–10 ft.-lbs. (10.8–13.6 Nm). <b>▲WARNING:</b> <i>Risk of bursting. Excessive vibration could weaken the air tank and cause it to rupture or explode. Mounting screws must be kept tightened.</i>
15	<b>FOR K PUMP UNITS</b> Pump stiffener bracket bolt is loose	Check bolt and tighten if required. Torque pump stiffener bracket bolt to 10–12 ft.-lbs. (13.6–16.3 Nm). <b>▲WARNING:</b> <i>Risk of bursting. Excessive vibration could weaken the air tank and cause it to rupture or explode. Stiffener bracket bolt must be kept tightened. Never operate the unit unless equipped with the stiffener bracket.</i>
16	Loose pulley	Tighten pulley set screw, torque to 145–165 in.-lbs. (16.4–19.6 Nm).
17	Loose flywheel	Tighten flywheel screw, torque to 15–18 ft.-lbs. (20.3–24.4 Nm).
18	Carbon build-up in pump	Contact a DEWALT factory service center or a DEWALT authorized service center.
19	Belt to tight	Check belt tension, see <b>Adjusting Belt Tension</b> under <i>Maintenance</i> .
20	Pulley misalignment	See <b>Motor Pulley/Flywheel Alignment</b> under <i>Maintenance</i> .
21	Air tank pressure is too high	Open the regulator and reduce air tank pressure to less than 40 PSI (275.8 kPa).

CODE	POSSIBLE CAUSE	POSSIBLE SOLUTION
22	Engine problem	Contact a DEWALT factory service center or a DEWALT authorized service center.
23	Engine or pump oil is low	Add DEWALT synthetic compressor oil to pump. See <b>Compressor Pump Oil</b> under <i>Maintenance</i> .
24	Regulator is not adjusted correctly for accessory being used	It is normal for some pressure drop to occur when an accessory is used, adjust the regulator as instructed in <b>Regulator</b> under <i>Features</i> if pressure drop is excessive. <b>NOTE:</b> Adjust the regulated pressure under flow conditions while accessory is being used.
25	Damaged regulator	Replace.
26	Detergent type oil being used in pump	Drain oil and refill pump with DEWALT synthetic compressor oil.
27	Extremely light duty cycles	Run unit for longer duty cycles. It is recommended to run at high throttle 50-75% of the run time and idle for 25% of the run time.
28	Piston rings damaged or worn	Contact a DEWALT factory service center or a DEWALT authorized service center.
29	Cylinder or piston damaged or worn	Contact a DEWALT factory service center or a DEWALT authorized service center.
30	Compressor cylinder finish worn	Contact a DEWALT factory service center or a DEWALT authorized service center.
31	Water in pump oil	Drain oil and refill pump with DEWALT synthetic compressor oil.
32	Manual lock unloader lever in <b>open</b> position	Rotate manual lock unloader lever to the <b>closed</b> perpendicular position.



<b>CODE</b>	<b>POSSIBLE CAUSE</b>	<b>POSSIBLE SOLUTION</b>
33	Regulator open	Rotate the regulator knob counterclockwise to its built-in stop and push knob in to lock in place.
34	Engine fuel tank empty	Add gasoline, see engine's instruction manual for correct procedure.

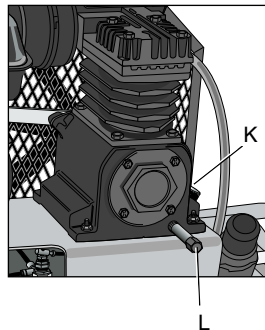
## Compresseur d'air

- A. Filtre d'admission d'air de la pompe
- B. Filtre d'admission d'air du moteur
- C. Commutateur marche/arrêt du moteur
- D. Manomètre du réservoir d'air
- E. Manomètre régulé
- F. Régulateur de pression
- G. Sortie d'air
- H. Soupape de décompression
- I. Soupape de sûreté
- J. Soupape de purge du réservoir d'air
- K. Jauge graduée de l'huile de la pompe/Bouchon de remplissage d'huile
- L. Bouchon de vidange d'huile de la pompe

## Caractéristiques techniques de la pompe

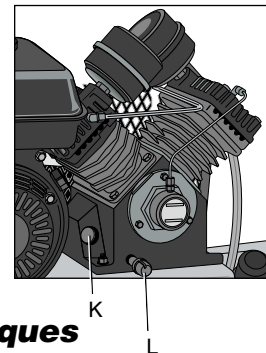
### POMPE K

Deux cylindres verticaux, en ligne  
 Mono-étagée  
 Lubrifiée à l'huile  
 Carter, cylindre et tête en fonte  
 Âme : 63,5 mm (2,5 po)  
 Course : 50,8 mm (2 po)  
 Poids : 21,32 kg (47 lb)  
 Capacité en huile : 414 ml (14 onces)



### POMPE G

Quatre cylindres verticaux, jumelés  
 Mono-étagée  
 Lubrifiée à l'huile  
 Carter, cylindre et tête en fonte  
 Âme : 63,5 mm (2,5 po)  
 Course : 60,33 mm (2,375 po)  
 Poids : 31,3 kg (69 lb)  
 Capacité en huile : 887 ml (30 onces)



## Caractéristiques techniques du moteur

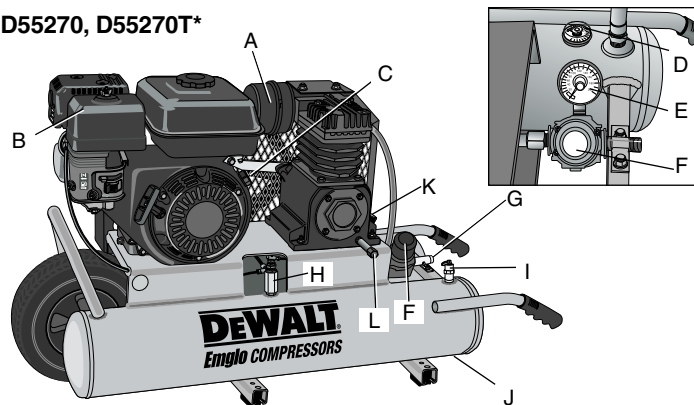
### 5.5 HP HONDA GX160

Combustion interne  
 4 temps  
 3 450 tr/min

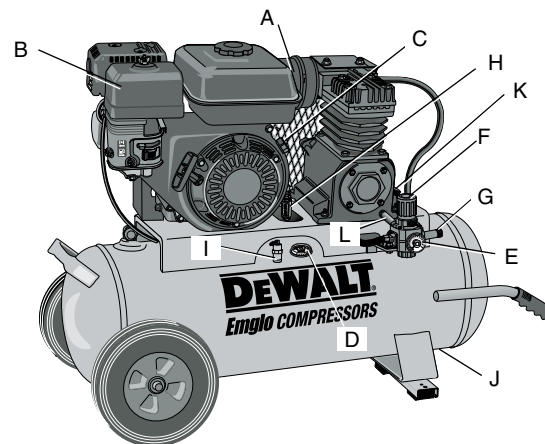
### 9 HP HONDA HONDA GX270

Combustion interne  
 4 temps  
 3 450 tr/min

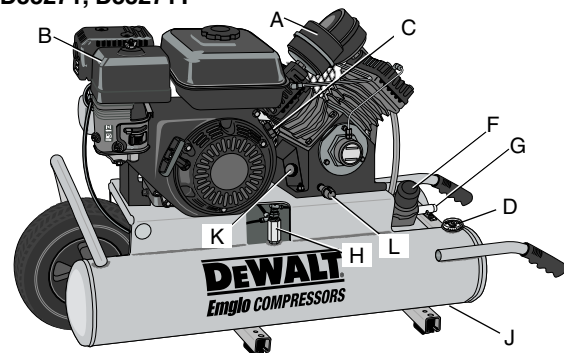
D55270, D55270T\*



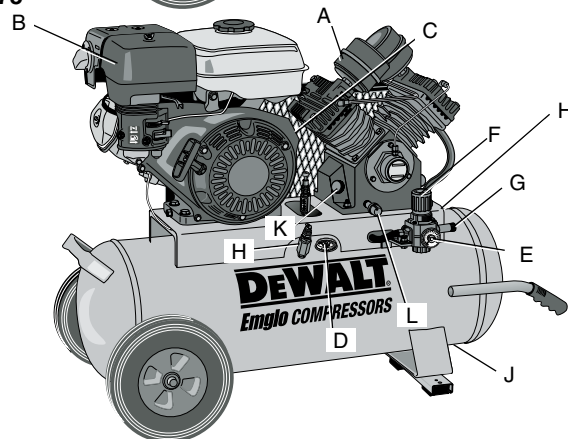
D55276



D55271, D55271T\*



D55275

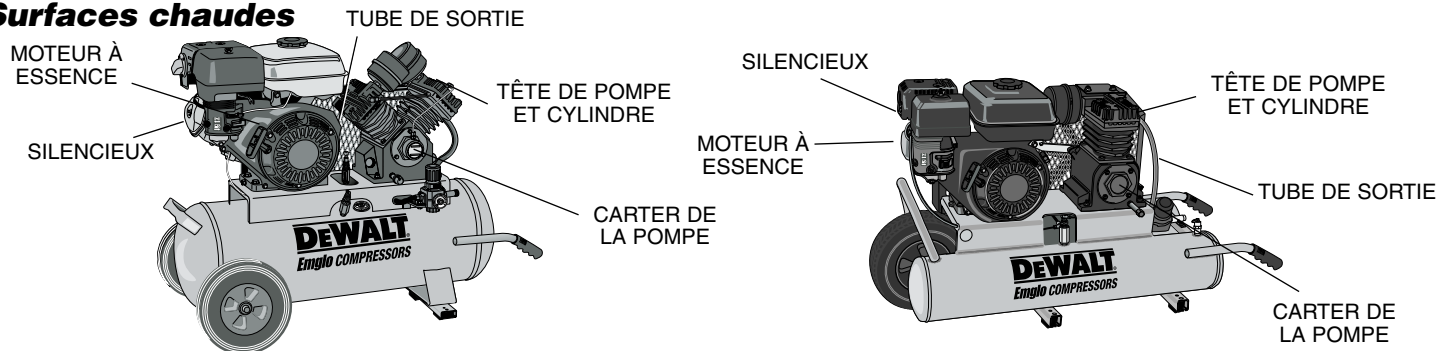


\* "T" dénote la version 2-wheel

## Fiche technique

MODÈLE	D55270	D55271	D55275	D55276
POIDS	72,57 kg (160 livres)	96,62 kg (213 livres)	107,96 kg (238 livres)	83,91 kg (185 livres)
HAUTEUR	635 mm (25 po)	704,85 mm (27,75 po)	857,25 mm (33,75 po)	787,4 mm (31 po)
LARGEUR	463,55 mm (18,25 po)	463,55 mm (18,25 po)	514,35 mm (20,25 po)	514,35 mm (20,25 po)
LONGUEUR	1092,2 mm (43 po)	1092,2 mm (43 po)	1092,2 mm (43 po)	1092,2 mm (43 po)
CAPACITÉ DU RÉSERVOIR D'AIR (GALLONS)	8 (30,3 liters)	8 (30,3 liters)	17 (64,4 liters)	17 (64,4 liters)
ENV. PRESSION DE DÉCLENCHEMENT	125 PSI (1034,2 kPa)	125 PSI (1034,2 kPa)	125 PSI (1034,2 kPa)	125 PSI (1034,2 kPa)
VALEURS TYPES À 6,9 BARS (100 PSI) L/MIN (PI <sup>3</sup> /MIN)	8,9	16,2	16,2	8,9
POMPE	Pompe K	Pompe G	Pompe G	Pompe K
MOTEUR	5,5 HP HONDA GX160	9 HP HONDA GX270	9 HP HONDA GX270	5,5 HP HONDA GX160

## Surfaces chaudes



## Définitions : lignes directrices en matière de sécurité

Les définitions ci-dessous décrivent le niveau de gravité pour chaque symbole. Veuillez lire le mode d'emploi et porter une attention particulière à ces symboles.

**▲DANGER** : Indique une situation dangereuse imminente qui, si elle n'est pas évitée, **causera la mort ou des blessures graves.**

**▲AVERTISSEMENT** : Indique une situation potentiellement dangereuse qui, si elle n'est pas évitée, **pourrait se solder par un décès ou des blessures graves.**

**▲MISE EN GARDE** : Indique une situation potentiellement dangereuse qui, si elle n'est pas évitée **pourrait se solder par des blessures mineures ou modérées.**

**MISE EN GARDE** : Utilisé sans le symbole d'alerte à la sécurité, indique une situation potentiellement dangereuse qui, si elle n'est pas évitée **pourrait se solder par des dommages à la propriété.**

POUR TOUTES QUESTIONS OU COMMENTAIRES RELATIFS(VE)S À L'OUTIL OU À PROPOS DE TOUT AUTRE OUTIL DEWALT, COMPOSER SANS FRAIS LE : 1-800-4-DEWALT (1-800-433-9258)

### Directives de sécurité importantes

**▲AVERTISSEMENT** : Ne pas utiliser l'appareil avant d'avoir lu et compris le mode d'emploi, et celui du moteur ainsi que l'intégralité des directives de sécurité, d'utilisation et d'entretien.

**▲AVERTISSEMENT** : Il est possible que le produit ne soit pas doté d'un silencieux avec pare-étincelles. Si le produit n'en est pas doté et qu'il est destiné à être utilisé près de matières inflammables ou sur un terrain cultivé ou couvert d'arbres, arbustes, herbes ou autres matières similaires, alors l'installation d'un pare-étincelles homologué est obligatoire et exigée par la loi dans l'État de Californie. L'absence

de pare-étincelles est en violation des articles 130050 et/ou articles 4442 et 4443 du California Public Resources Code, à moins que le moteur ne soit muni d'un pare-étincelles comme stipulé à l'article 4442 et tenu en bon état de fonctionnement. Les pare-étincelles sont exigés sur certaines terres du Service des forêts américain et peuvent être également exigés par d'autres législations ou ordonnances.

**▲AVERTISSEMENT** : Ce produit contient des produits chimiques, notamment le plomb, reconnu par l'État de Californie comme étant cancérigènes et pouvant entraîner des anomalies congénitales et d'autres dangers relatifs à la reproduction. Se laver les mains après toute manipulation.

## CONSERVER CES DIRECTIVES



### ▲DANGER : RISQUE D'EXPLOSION OU D'INCENDIE

#### CE QUI PEUT SE PRODUIRE

- L'essence renversée et ses vapeurs peuvent s'enflammer à partir d'étincelles de cigarettes, d'arcs électriques, de gaz d'échappement et de composants chauds du moteur comme le silencieux.

#### COMMENT L'ÉVITER

- Éteindre le moteur et le laisser refroidir avant de faire l'appoint d'essence.
- Être attentif et éviter de déverser de l'essence lors du remplissage du réservoir. Déplacer l'appareil hors de la zone de remplissage avant de démarrer le moteur.

- Le combustible du réservoir se dilate sous l'effet de la chaleur et pourrait se solder par un déversement et un incendie ou une explosion.
- **Les matériaux combustibles qui touchent les pièces chaudes du moteur risquent de s'enflammer.**
- Pour permettre l'effet de dilatation, laisser 12,7 mm (1/2 po) de dégagement sous le bord du goulot de remplissage lors du plein d'essence.
- Faire le plein d'essence à l'extérieur dans une zone bien aérée. S'assurer de l'absence de source d'inflammation près de la zone de ravitaillement, comme des cigarettes.
- Utiliser le compresseur dans une zone propre, sèche et bien aérée à une distance d'au moins 1,22 mètres (48 po) de tout édifice, objet ou mur. Ne pas utiliser l'appareil à l'intérieur ou dans un endroit exigü.
- L'utiliser uniquement dans un endroit ouvert loin de broussailles ou d'herbes sèches ou de tout autre matériel combustible.
- De l'essence mal entreposée pourrait provoquer un allumage (incendie) accidentel. Ranger l'essence de façon sécuritaire pour en empêcher l'accès aux enfants et à toutes autres personnes non qualifiées.
- Entreposer l'essence dans un contenant homologué par l'OSHA (Santé et sécurité du travail) dans un emplacement sécuritaire loin de la zone de travail.

- **Le fonctionnement de ce produit sans surveillance pourrait se solder par des blessures personnelles ou des dommages à la propriété. Afin de réduire le risque d'incendie, ne pas laisser le compresseur fonctionner sans surveillance.**

- Être toujours présent lorsque le produit est en marche.



**▲ DANGER : RISQUE D'ASPHYXIE**

**CE QUI PEUT SE PRODUIRE**

- L'inhalation de gaz d'échappement provoquera de graves blessures voire un décès ! Les gaz d'échappement des moteurs contiennent du monoxyde de carbone, un gaz inodore et mortel.

**COMMENT L'ÉVITER**

- Toujours utiliser l'air comprimé à l'extérieur dans une zone propre, bien aérée. Éviter les endroits clos comme les garages, les sous-sols, les remises sans système d'échange d'air continu. Éloigner les enfants, animaux et toute autre personne de la zone de travail.

- Il est dangereux de respirer l'air comprimé sortant du compresseur. Le flux d'air peut contenir du monoxyde de carbone, des vapeurs toxiques ou des particules solides provenant du réservoir d'air. L'inhalation de ces contaminants peut provoquer de sérieuses blessures, voire un décès.
- L'air qui s'obtient directement du compresseur ne devrait jamais être utilisé pour alimenter l'air destiné à la consommation humaine. Pour utiliser l'air produit par le compresseur pour la respiration, installer correctement des filtres convenables et un équipement de sécurité en ligne. Les filtres en ligne et l'équipement de sécurité utilisés avec le compresseur doivent être capables de traiter l'air conformément à tous les codes locaux et fédéraux en vigueur avant toute consommation humaine.
- Les matériaux vaporisés comme la peinture, les solvants de peinture, les décapants, les insecticides, les herbicides, pourraient contenir des vapeurs nocives et du poison.
- Travailler dans un endroit ayant une bonne ventilation transversale. Lire et respecter les directives en matière de sécurité imprimées sur l'étiquette ou les fiches signalétiques des matériaux qui sont pulvérisés. Toujours utiliser un équipement de sécurité homologué : une protection respiratoire conforme aux normes NIOSH/OSHA, conçue spécifiquement pour une utilisation particulière.



**▲ DANGER : RISQUE DE BLESSURES OU DE DOMMAGES À LA PROPRIÉTÉ LORS DU TRANSPORT OU DU RANGEMENT**

**CE QUI PEUT SE PRODUIRE**

**COMMENT L'ÉVITER**

- L'huile peut fuir ou se déverser. Cela pourrait se solder par un incendie ou un danger d'inhalation; des blessures graves ou un décès. Les fuites d'huile endommageront le tapis, la peinture ou toutes autres surfaces de véhicules ou de remorques.
- Toujours installer le compresseur sur un revêtement protecteur lors du transport pour protéger le véhicule de tous dommages associés aux fuites. Retirer immédiatement le compresseur du véhicule dès l'arrivée à destination. Toujours tenir le compresseur à niveau et ne jamais le déposer sur son côté.



**▲ AVERTISSEMENT : RISQUE D'ÉCLATEMENT**

**Réservoir d'air :** le réservoir dont est doté le compresseur d'air porte le code « UM » (dans le cas d'appareils munis de réservoirs supérieurs à 152 mm (6 po) de diamètre) et il est conçu conformément à la section VII Div. 1 de l'ASME. Tous les récipients sous pression devraient être inspectés une fois tous les deux ans. Pour localiser l'inspecteur des récipients sous pression de votre région, consulter la section appropriée des organismes gouvernementaux de l'annuaire téléphonique ou composer le 1-800-4-DEWALT pour obtenir de l'aide. Les conditions indiquées ci-après pourraient affaiblir le réservoir d'air et se solder par une violente explosion de celui-ci :

**CE QUI PEUT SE PRODUIRE**

- L'eau condensée n'est pas correctement vidangée du réservoir d'air provoquant ainsi la formation de rouille et un amincissement du réservoir d'air en acier.
- Modifications apportées au réservoir d'air ou tentatives de réparation.
- Des modifications non autorisées de la soupape de décompression, de la soupape de sûreté ou de tous autres composants qui régissent la pression du réservoir d'air.

**COMMENT L'ÉVITER**

- Vidanger le réservoir d'air quotidiennement ou après chaque utilisation. Si le réservoir présente une fuite, le remplacer immédiatement par un nouveau réservoir d'air ou par un nouveau compresseur.
- Ne jamais percer un trou dans le réservoir d'air ou ses accessoires, y faire de la soudure ou y apporter quelque modification que ce soit. Ne jamais essayer de réparer un réservoir d'air endommagé ou avec des fuites. Le remplacer par un nouveau réservoir d'air.
- Le réservoir d'air a été conçu pour supporter des pressions spécifiques de fonctionnement. Ne faites jamais effectuer de réglages ou de substitutions de pièces en vue de modifier les pressions de fonctionnement réglées en usine.

**• POUR LES POMPES K**

Une vibration excessive peut affaiblir le réservoir d'air et provoquer une rupture ou une explosion. Les vibrations excessives se produisent si le compresseur n'est pas bien assemblé ou si le moteur tourne à un régime plus élevé que celui recommandé.

- Ne pas retirer le raidisseur qui fixe la pompe du compresseur au moteur sauf lors du réglage de la tension de la courroie puis serrer solidement les boulons du raidisseur. Il contrôle les vibrations de l'appareil.

**Accessoires :**

- Lorsqu'on excède la pression nominale des outils pneumatiques, des pistolets pulvérisateurs, des accessoires à commande pneumatique, des pneus et d'autres dispositifs pneumatiques, on risque de les faire exploser ou de les projeter et ainsi entraîner des blessures graves.
- Respecter les recommandations du fabricant de l'équipement et ne jamais dépasser la pression nominale maximale permise des accessoires. Ne jamais utiliser le compresseur pour gonfler de petits objets à basse pression comme des jouets d'enfant, des ballons de football et de basketball, etc.



## Pneus :

- Des pneus surgonflés pourraient provoquer des blessures graves et des dommages à la propriété.
- Utiliser un manomètre pour vérifier la pression des pneus avant chaque utilisation et lors du gonflage; consulter le flanc de pneu pour obtenir la pression correcte.

**REMARQUE :** des réservoirs d'air, des compresseurs et d'autres appareils similaires utilisés pour gonfler les pneus peuvent remplir de petits pneus à ces pressions très rapidement. Régler le régulateur de pression d'air à une pression moindre que celle indiquée sur le pneu. Ajouter de l'air par petite quantité et utiliser fréquemment le manomètre pour empêcher un surgonflage.



### **▲ AVERTISSEMENT : RISQUE PROVENANT DES OBJETS PROJÉTÉS EN L'AIR**

#### **CE QUI PEUT SE PRODUIRE**

- Le flux d'air comprimé peut endommager les tissus mous de la peau exposée et peut projeter la poussière, des fragments, des particules détachées et des petits objets à haute vitesse, ce qui entraînerait des dommages et des blessures personnelles.

#### **COMMENT L'ÉVITER**

- Toujours utiliser de l'équipement de sécurité homologué : protection oculaire conforme à la norme ANSI Z87.1 (CAN/CSA Z94.3) munie d'écrans latéraux lors de l'utilisation du compresseur.
- Ne jamais pointer une buse ou un pulvérisateur vers une partie du corps ou vers d'autres personnes ou des animaux.
- Toujours mettre le compresseur hors tension et purger la pression du tuyau à air et du réservoir d'air avant d'effectuer l'entretien, de fixer des outils ou des accessoires.



**▲ AVERTISSEMENT : ATTENTION SURFACES CHAUDES**

**CE QUI PEUT SE PRODUIRE**

- Toucher à du métal exposé comme la tête du compresseur ou du moteur, la tubulure des gaz d'échappement ou de sortie, peut se solder en de sérieuses brûlures.

**COMMENT L'ÉVITER**

- Ne jamais toucher à des pièces métalliques exposées sur le compresseur pendant ou immédiatement après son utilisation. Le compresseur restera chaud pendant plusieurs minutes après son utilisation.
- Ne pas toucher ni effectuer des réparations aux coiffes de protection avant que l'appareil n'ait refroidi.



**▲ AVERTISSEMENT : RISQUE ASSOCIÉ AUX PIÈCES MOBILES**

**CE QUI PEUT SE PRODUIRE**

- Le moteur peut démarrer accidentellement si le volant est tourné manuellement ou par l'action de la corde de lancement.

**COMMENT L'ÉVITER**

- Toujours déconnecter la bougie et purger la pression du réservoir d'air avant d'effectuer un entretien.

- Les pièces mobiles comme une poulie, un volant ou une courroie peuvent provoquer de graves blessures si elles entrent en contact avec vous ou vos vêtements.
- Ne jamais utiliser le compresseur si les protecteurs ou les couvercles sont endommagés ou retirés.
- Garder les cheveux, les vêtements et les gants à l'écart des pièces mobiles. Les vêtements amples, bijoux ou cheveux longs peuvent s'enchevêtrer dans les pièces mobiles.
- S'éloigner des événements car ces derniers pourraient camoufler des pièces mobiles.
- Toutes les réparations requises pour ce produit devraient être effectuées par un centre de réparation de l'usine DEWALT ou un centre de réparation agréé DEWALT.
- Utiliser le compresseur avec des pièces endommagées ou manquantes ou le réparer sans coiffes de protection risque de vous exposer à des pièces mobiles et peut se solder par de graves blessures.



### **▲ AVERTISSEMENT : RISQUE ASSOCIÉ À UTILISATION DANGEREUSE**

#### **CE QUI PEUT SE PRODUIRE**

- Une utilisation dangereuse de votre compresseur d'air pourrait provoquer de graves blessures, voire votre décès ou celle d'autres personnes.

#### **COMMENT L'ÉVITER**

- Revoir et comprendre toutes les directives et les avertissements contenus dans le présent mode d'emploi.
- Se familiariser avec le fonctionnement et les commandes du compresseur d'air.
- Dégager la zone de travail de toutes personnes, animaux et obstacles.
- Tenir les enfants hors de portée du compresseur d'air en tout temps.
- Ne pas utiliser le produit en cas de fatigue ou sous l'emprise d'alcool ou de drogues. Rester vigilant en tout temps.
- Ne jamais rendre inopérant les fonctionnalités de sécurité du produit.
- Installer un extincteur dans la zone de travail.



### **▲ AVERTISSEMENT : RISQUE DE BLESSURE EN SOULEVANT LE PRODUIT**

#### **CE QUI PEUT SE PRODUIRE**

- Soulever un objet trop lourd peut se solder par de graves blessures.

#### **COMMENT L'ÉVITER**

- Le compresseur est trop lourd pour être soulevé par une seule personne. Demander de l'aide avant de le soulever.



### **▲ MISE EN GARDE : RISQUES CAUSÉS PAR LE BRUIT**

#### **CE QUI PEUT SE PRODUIRE**

- Dans certaines conditions et selon la durée d'utilisation, le bruit provoqué par ce produit peut contribuer à une perte auditive.

#### **COMMENT L'ÉVITER**

- Toujours utiliser un équipement de sécurité homologué : protection auditive conforme à la norme ANSI S12.6 (S3.19).

## **CONSERVER CES DIRECTIVES POUR UN USAGE ULTÉRIEUR**

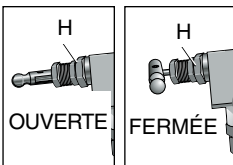
## CARACTÉRISTIQUES

### SOUPAPE DE DÉCOMPRESSION

La soupape de décompression (H) du réservoir d'air se purgera dès que la pression maximale du réservoir est atteinte. Ainsi, le compresseur évacuera l'air dans l'atmosphère et non dans le réservoir.

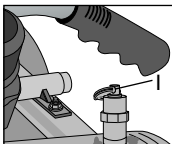
**Blocage manuel :** le blocage manuel vous permet de décompresser la pression du réservoir d'air du compresseur. Utilisation du blocage manuel :

Mettre le levier de décompression du blocage manuel en position **ouverte** pour empêcher l'accumulation de pression dans le réservoir d'air. Mettre le levier de décompression du blocage manuel en position **fermée** après le démarrage moteur pour permettre le développement de la pression dans le réservoir. **REMARQUE :** la pression ne se développera pas si le levier de décompression du blocage manuel est en position **ouverte**.



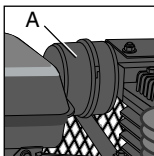
### SOUPAPE DE SÛRETÉ

La soupape (I) est conçue pour prévenir des défaillances système en décompressant celui-ci lorsque le compresseur d'air atteint un niveau préétabli. La soupape est réglée par le fabricant et ne doit pas être retirée ou modifiée de quelque manière que ce soit.



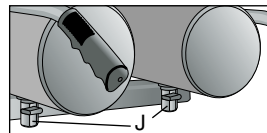
### FILTRE D'ADMISSION D'AIR

Le filtre (A) sert à purifier l'air qui entre dans la pompe. Pour que la pompe reçoive un flux d'air constant propre, froid et sec, le filtre doit toujours être propre et l'entrée d'air doit être exempte d'obstructions.



### SOUPAPE DE PURGE DU RÉSERVOIR D'AIR

La soupape de purge (J) sert à dés humidifier le réservoir d'air après l'arrêt du compresseur.

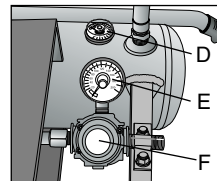


### MANOMÈTRE DU RÉSERVOIR D'AIR

Le manomètre du réservoir d'air (D) indique la pression dans le réservoir d'air.

### MANOMÈTRE RÉGLÉ

Le manomètre réglé (E) indique la pression d'air disponible à la sortie du régulateur. Cette pression est contrôlée par le régulateur et est toujours inférieure ou égale à celle du réservoir d'air.



### RÉGULATEUR

Le bouton du régulateur (F) contrôle la pression provenant du réservoir d'air.

### Réglage du régulateur :

1. Tirer le bouton du régulateur (F) vers l'extérieur.
2. Tourner le bouton en sens horaire pour régler la pression et en sens antihoraire pour la réduire.
3. Une fois la pression souhaitée affichée sur le manomètre réglé, enfoncer le bouton pour le verrouiller.

### CONTRÔLE DE L'ÉTRANGLEUR

Une fois la pression maximale du réservoir d'air atteinte et que la soupape de décompression décompresses le récipient, cette action active le contrôle de l'étrangleur du moteur. Cette fonctionnalité d'économie d'essence maintient le moteur au ralenti (régime préétabli en usine) jusqu'à ce que la pression du réservoir d'air chute à la pression pré-réglée. La soupape de décompression réenclenche alors le contrôle de l'étrangleur et le moteur accélère à plein régime.

## CAPTEURS DE BAS NIVEAU D'HUILE QUI COMMANDENT L'ARRÊT MOTEUR

Le moteur du compresseur d'air est doté d'un capteur de bas niveau d'huile qui commande l'arrêt moteur. Le dispositif de sûreté est conçu pour protéger le moteur de dommages dans les cas où le niveau d'huile dans le carter est sous le niveau minimum.

Si le niveau d'huile du moteur baisse lors du fonctionnement du compresseur d'air, le moteur sera automatiquement mis hors tension et ne redémarrera pas tant que l'appoint d'huile moteur ou de pompe n'ait été effectué. Si le niveau d'huile est bas avant le démarrage, le moteur refusera de démarrer sans appoint d'huile.

**REMARQUE** : le capteur de bas niveau d'huile qui commande l'arrêt moteur est très sensible. On doit faire l'appoint d'huile moteur et de la pompe jusqu'au repère « plein » de la jauge pour désactiver le dispositif de sûreté.

## INSTALLATION

### Assemblage (fig. 1)

#### RACCORDEMENT DES TUYAUX

**▲AVERTISSEMENT** : Risque d'utilisation dangereuse. Saisir fermement le tuyau en main lors du raccordement ou de la déconnexion pour empêcher un à-coup du tuyau.

1. S'assurer que le manomètre régulé indique 0 kPa (0 psi).
2. Enrouler un ruban d'étanchéité sur le filetage de tuyau.
3. Raccorder le ou le tuyau à la ou aux sortie d'air (G).

**IMPORTANT** : ne pas assembler de distributeurs directement sur la ou le sortie d'air (G).

**REMARQUE** : la fixation de pièces à dégagement rapide aux sortie d'air (G) et de bouchons à dégagement rapide aux embouts de tuyau facilite la connexion et la déconnexion des tuyau. Les pièces et les embouts à dégagement rapide sont disponibles auprès de votre distributeur ou centre de réparation agréé régional.

#### DÉCONNEXION DES TUYAUX

**▲AVERTISSEMENT** : risque d'utilisation dangereuse. Saisir fermement le tuyau en main lors du raccordement ou de la déconnexion pour empêcher un à-coup du tuyau.

1. S'assurer que le manomètre régulé indique 0 kPa (0 psi).
2. Retirer le ou les tuyau de la ou de sortie d'air (G).

## Lubrification et huile

#### MOTEUR

1. Le fabricant a fait le plein d'huile moteur **EN** usine. Vérifier le niveau d'huile moteur avant d'utiliser l'appareil. Le cas échéant, faire l'appoint au niveau approprié avec l'huile recommandée. Consulter le mode d'emploi du moteur, fourni par le fabricant de celui-ci, pour la bonne procédure.
2. Ajouter de l'essence. Consulter le mode d'emploi du moteur, fourni par le fabricant de celui-ci, pour la bonne procédure.

**▲AVERTISSEMENT** : Risque d'explosion ou d'incendie. Les vapeurs d'essence sont hautement inflammables. Faire le plein de préférence à l'extérieur ou seulement dans des endroits bien aérés. Ne pas faire le plein ou ne pas vérifier le niveau d'essence avec le moteur en marche. Ne pas ranger l'essence, ni la déverser ou l'utiliser près d'une flamme nue, d'une source d'étincelles (comme la soudure) ou d'équipement électrique en fonctionnement.

#### COMPRESSEUR D'AIR

Le fabricant a fait le plein d'huile de pompe **EN** usine. Vérifier le niveau d'huile de la pompe avant de l'utiliser. Consulter la rubrique **Huile de la pompe du compresseur** sous *Entretien*.

## Compatibilité

Les outils pneumatiques et les accessoires utilisés avec le compresseur doivent être compatibles avec des produits dérivés du pétrole. En

cas d'incompatibilité probable avec des dérivés du pétrole, utiliser un filtre de canalisation d'air pour retirer l'humidité et les vapeurs d'huile du compresseur d'air.

**REMARQUE** : toujours utiliser un filtre de canalisation d'air pour retirer l'humidité et les vapeurs d'huile lors de la pulvérisation de peinture.

## Emplacement

**▲AVERTISSEMENT** : *Risque associé à l'inhalation. L'échappement du moteur à essence contient du monoxyde de carbone mortel; gaz inodore et toxique. Utiliser le moteur uniquement dans des zones bien ventilées.*

**▲MISE EN GARDE** : *Risque de dommages à la propriété. En cours de fonctionnement, ne pas incliner le compresseur d'air plus de 10° pour éviter tout dommage.*

Installer le compresseur d'air à au moins 1,2 m (4 pi) d'obstacles qui pourraient gêner une bonne aération. Éloigner l'appareil des zones à atmosphère chargée de saletés, de vapeurs et d'émanations. Ceux-ci pourraient boucher le filtre et les soupapes d'admission et s'y agglutiner nuisant ainsi au bon fonctionnement du compresseur d'air.

## ENVIRONNEMENTS FRAIS

Dans les environnements souvent frais, il y a risque de formation d'humidité dans la pompe et de boue dans l'huile. Ceux-ci provoquent une usure prématurée des pièces mobiles. Un excès d'humidité survient principalement dans les environnements non chauffés où l'appareil est soumis à de grandes variations thermiques. On reconnaît l'humidité excessive en présence de deux signes : la formation condensation externe sur la pompe lorsqu'elle refroidit et de l'apparence « laiteuse » de l'huile du compresseur. Il est possible d'empêcher la formation d'humidité dans la pompe en augmentant la circulation d'air ou en utilisant le compresseur d'air plus longtemps.

## REMARQUES À PROPOS DU BRUIT

Consulter les organismes de réglementation de votre région pour connaître les niveaux de bruit tolérés. Pour réduire le bruit excessif, utiliser un montage antivibratile ou des atténuateurs sonores. Repositionner l'appareil ou construire une enceinte close ou des murs déflecteurs. Communiquer avec un centre de réparation DEWALT ou composer le 1-800-4-DEWALT pour obtenir de l'aide.

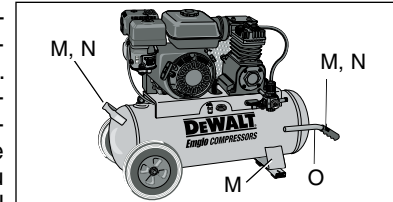
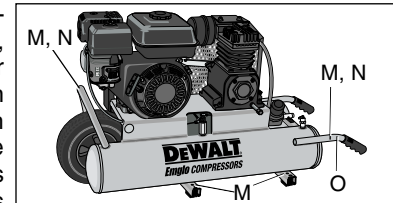
## TRANSPORT

**▲AVERTISSEMENT** : *Risque de blessure associé au transport. L'appareil pèse plus de 72,5 kg (160 lb). Ne pas le déplacer ni le soulever sans aide.*

**▲MISE EN GARDE** : *Risque de dommages à la propriété. Les roues et la poignée n'offrent pas le dégagement, la stabilité ou l'appui nécessaire pour descendre ou monter des escaliers ou des marches avec l'appareil. On doit soulever l'appareil ou le pousser le long d'une rampe.*

Lors du transport du compresseur d'air dans un véhicule, une remorque, etc. s'assurer que le réservoir d'air soit bien purgé et que l'appareil soit bien ancré sur une surface plane horizontale.

**REMARQUE** : lors du transport, utiliser les points d'ar-rimage (M). Conduire prudemment pour éviter de basculer l'appareil dans le véhicule. Un basculement risque d'endommager l'appareil ou les pièces contiguës. Utiliser une rampe pour le chargement ou le déchargement de l'appareil d'une hauteur de plus de 304,8 mm (12 po).



## LEVAGE

Toujours transporter l'appareil à deux personnes et utiliser les points de transport (N) recommandés.

**▲AVERTISSEMENT** : Risque de blessure associé au transport. L'appareil pèse plus de 72,5 kg (160 lb). Ne pas le déplacer ni le soulever sans aide.

## DÉPLACEMENT

1. Saisir la poignée (O) du compresseur d'air et le soulever suffisamment pour faire rouler l'appareil sur les pneus avant.

**▲AVERTISSEMENT** : Risque d'utilisation dangereuse. Garder les pieds bien ancrés et faire preuve d'une grande prudence en roulant le compresseur afin d'éviter de le faire basculer ou de perdre l'équilibre.

2. Une fois le compresseur à l'endroit voulu, abaisser lentement l'arrière du compresseur sur le sol. Toujours ranger le compresseur dans une position horizontale.

**REMARQUE** : si l'appareil bascule, de l'huile se déversera ce qui exigera un démarrage à froid et produira de la fumée.

## MODE D'EMPLOI

### Liste de vérification de pré-démarrage (fig. 1)

1. S'assurer que le commutateur MARCHE/ARRÊT (C) du moteur est en position d'ARRÊT.
2. S'assurer que le réservoir d'air soit bien purgé consulter la rubrique **Vidange du réservoir d'air** sous *Entretien*.
3. S'assurer que la soupape de purge (J) soit fermée.
4. S'assurer que la soupape de sûreté (I) fonctionne correctement, consulter la rubrique **Vérification de la soupape de sûreté** sous *Entretien*.
5. Vérifier le niveau d'huile moteur, consulter la rubrique **Huile du compresseur de la pompe** sous *Entretien*.

**▲MISE EN GARDE** : Ne pas utiliser le compresseur sans huile ou avec une huile de qualité inadéquate. DEWALT ne peut être tenu responsable pour toute défaillance du compresseur provoquée par une huile inappropriée.

6. Vérifier les niveaux d'huile et d'essence du moteur, consulter le guide d'utilisation du moteur pour les procédures correctes.
7. Inspecter visuellement la courroie d'entraînement; la remplacer si on détecte tout signe d'effilochage, de fissure ou d'usure.  
**REMARQUE** : veuillez retirer le couvercle externe de la courroie pour inspecter celle-ci.
8. S'assurer que tous les dispositifs de protection, couvercles et étiquettes sont présents, lisibles (dans le cas des étiquettes) et bien fixés. Ne pas utiliser le compresseur avant de vérifier tous ces points.

### Réglage initial (fig. 1)

**▲AVERTISSEMENT** : Ne pas utiliser l'appareil avant d'avoir lu et compris le mode d'emploi, et celui du moteur ainsi que l'intégralité des directives de sécurité, d'utilisation et d'entretien.

### PROCÉDURE DE RODAGE

**▲AVERTISSEMENT** : Risque de dommages à la propriété. Respecter à la lettre les directives de rodage ci-dessous pour empêcher de graves dommages.

**La procédure suivante est requise :**

- avant d'utiliser le compresseur pour la première fois;
- lors du remplacement de la soupape de décompression;
- lors du remplacement de la pompe du compresseur.

**Procédure :**

1. Utiliser la **Liste de vérification de pré-démarrage** sous *Mode d'emploi*.

2. Mettre le levier de décompression du blocage manuel en position **ouverte** pour empêcher l'accumulation de pression dans le réservoir d'air.
3. Ouvrir le régulateur de pression. Tirer le bouton du régulateur (F) vers l'extérieur et le tourner en sens horaire jusqu'à ce qu'il s'arrête.

**▲ AVERTISSEMENT :** *Ne pas utiliser l'appareil avant d'avoir lu et compris le mode d'emploi du moteur ainsi que l'intégralité des directives de sécurité, d'utilisation et d'entretien.*

4. Préparation du moteur pour la première utilisation, consulter le mode d'emploi du moteur pour la bonne procédure.
5. Mettre le commutateur de MARCHE/ARRÊT (C) en position de MARCHE.
6. Démarrer le moteur, consulter le mode d'emploi du moteur pour la bonne procédure.
7. Utiliser le compresseur d'air pour une période de **30 minutes** pour asseoir les anneaux et lubrifier toutes les surfaces internes. Consulter le manomètre du réservoir d'air pour éviter tout développement de pression.
8. Mettre le système de blocage de la soupape de décompression en position **fermée** de sorte que la pression puisse s'accumuler.
9. Fermer le régulateur de pression. Tourner le bouton du régulateur (F) en sens horaire jusqu'au butoir intégré et l'enfoncer pour le verrouiller. Cette manœuvre permettra de développer la pression dans le réservoir d'air.
10. Le tuyau de sortie d'air fournira de l'air comprimé jusqu'à utilisation complète de l'air ou sa purge.

## **PROCÉDURES DE FONCTIONNEMENT**

### **Démarrage (fig. 1)**

1. Utiliser la **Liste de vérification de pré-démarrage** sous *Mode d'emploi*.
2. Tirer sur le bouton du régulateur (F) et le tourner en sens horaire jusqu'à fermeture complète. L'enfoncer pour le verrouiller. Le manomètre réglé devrait afficher 0 kPa (0 psi).
3. Mettre le levier de décompression du blocage manuel en position **ouverte** pour aider au démarrage.
4. Mettre le commutateur de MARCHE/ARRÊT (C) en position de MARCHE.
5. Démarrer le moteur, consulter le mode d'emploi du moteur pour la bonne procédure.
6. Mettre le levier de décompression du blocage manuel en position **fermée** pour permettre le développement de la pression dans le réservoir d'air. **REMARQUE :** la pompe ne fonctionnera pas avec le levier de décompression du blocage manuel en position **ouverte**.
7. Laisser le compresseur d'air atteindre la pression **de déclenchement**.

**REMARQUE :** si on remarque un bruit ou une vibration inhabituelle, arrêter le compresseur et se reporter à la rubrique concernant le dépannage.

**REMARQUE :** la pompe du compresseur d'air peut fonctionner en continu. Pour prolonger la durée de vie du compresseur d'air, on recommande de l'utiliser à plein régime de 50 % à 75 % de son temps de fonctionnement et au ralenti pour les autres 25 %.

8. Fixer le tuyau et l'accessoire.



**▲ MISE EN GARDE :** Risque d'utilisation dangereuse. L'air comprimé de l'appareil pourrait contenir de l'eau condensée et des brumes d'huile. Ne pas vaporiser de l'air non filtré sur un article que l'humidité pourrait endommager. Certains outils ou dispositifs pneumatiques pourraient requérir de l'air filtré. Lire les directives pour l'outil ou le dispositif pneumatique.

- Régler le régulateur (F) à la valeur souhaitée. Consulter la rubrique **Régulateur** sous *Caractéristiques*.

### Arrêt

- Mettre le moteur à l'arrêt, consulter le mode d'emploi du moteur pour la bonne procédure.

**REMARQUE :** si l'utilisation du compresseur est terminée, suivre les étapes 2 à 6.

- Tourner le bouton du régulateur (F) en sens antihoraire jusqu'à fermeture complète. S'assurer que le manomètre régulé indique 0 bar (0 psi).
- Retirer le tuyau et l'accessoire.
- Purger le réservoir d'air. Consulter la rubrique **Vidange du réservoir d'air** sous *Entretien*.

**▲ AVERTISSEMENT :** Risque d'éclatement. Purger le réservoir d'air quotidiennement. L'eau se condensera dans le réservoir d'air. Si l'eau n'est pas vidangée, elle corrodera et affaiblira le réservoir d'air, provoquant ainsi un risque de rupture du réservoir d'air.

- Laisser refroidir le compresseur.
- Nettoyer le compresseur d'air avec un chiffon et le ranger dans un endroit sûr sans risque de gel.

### ENTRETIEN

Suivre les procédures suivantes lors de l'entretien ou des réparations du compresseur d'air.

- S'assurer que le commutateur MARCHE/ARRÊT (C) du moteur est en position d'ARRÊT.
- Débrancher le fil de la bougie.
- Purger le réservoir d'air.
- Laisser refroidir le compresseur d'air avant de débiter une réparation

**REMARQUE :** tous les systèmes de compression d'air comprennent des pièces (par ex., huile, filtres, séparateurs) qui sont régulièrement remplacées. Ces pièces usées pourraient contenir des substances contrôlées et doivent être mises au rebut conformément aux lois et règlements municipaux, provinciaux, territoriaux et fédéraux.

**REMARQUE :** noter la position et l'emplacement des pièces au démontage pour faciliter le remontage subséquent.

**REMARQUE :** toute réparation non décrite dans cette rubrique devrait être exécutée à un centre de réparation de l'usine DEWALT ou un centre de réparation agréé DEWALT.

### Programme d'entretien

Procédure	Quotidienne	Hebdomadaire	Mensuelle	1 an ou 200 heures
Vérification de la soupape de sûreté	X			
Inspecter le filtre à air +		X		
Vidange du réservoir d'air	X			
Vérification du niveau d'huile de la pompe	X			
Vidange de l'huile de la pompe**+				X

Procédure	Quotidienne	Hebdomadaire	Mensuelle	1 an ou 200 heures
Inspection de fuite d'huile	X			
Inspection de la courroie d'entraînement	X			
Vérification de la tension de la courroie d'entraînement			X	
Vérification de l'alignement de la poulie/volant				X
Recherche de bruits ou de vibrations inhabituels	X			
Vérification des fuites d'air*	X			
Nettoyage de la partie externe du compresseur		X		
Moteur	Consulter le mode d'emploi du moteur.			
* Pour trouver des fuites d'air, appliquer une solution d'eau savonneuse autour des joints. Alors que le compresseur développe la pression et que l'accumulation de pression cesse, rechercher toute trace de bulles d'air.				
** Veuillez vidanger l'huile de la pompe après les 20 premières heures de fonctionnement. Par la suite, vidanger l'huile à tous les 200 heures de fonctionnement ou une fois l'an selon la première éventualité et utiliser de l'huile synthétique DEWALT pour compresseur.				
+ vidange plus fréquente sous conditions poussiéreuses ou humides				

### Vérification de la soupape de sûreté (fig. 1)

**▲AVERTISSEMENT** : Surfaces chaudes. Risque de brûlure. Le postrefroidisseur, la tête de pompe et les pièces contiguës sont très chaudes – ne pas les toucher (consulter la rubrique Surfaces chaudes de la figure 2). Laisser refroidir le compresseur avant d'effectuer des réparations sur l'appareil.

**▲AVERTISSEMENT** : Risque d'éclatement. Si la soupape de sûreté ne fonctionne pas correctement, il peut se produire une surpressurisation, causant ainsi la rupture du réservoir d'air ou une explosion.

Avant de mettre en marche le compresseur, tirez sur la bague de la soupape de sûreté pour vous assurer que la soupape fonctionne librement. Si la soupape est coincée ou ne fonctionne pas bien, il faut la remplacer par une soupape du même type.

### Vérification des éléments du filtre d'air (fig. 1)

**▲AVERTISSEMENT** : Surfaces chaudes. Risque de brûlure. Le postrefroidisseur, la tête de pompe et les pièces contiguës sont très chaudes – ne pas les toucher (consulter la rubrique Surfaces chaudes de la figure 2). Laisser refroidir le compresseur avant d'effectuer des réparations sur l'appareil.

1. S'assurer que le commutateur MARCHE/ARRÊT (C) du moteur est en position d'ARRÊT.
2. Laisser refroidir l'appareil.
3. Dévisser la partie supérieure du filtre (A) de la partie inférieure en la tournant de cinq degrés environ.
4. Séparer la base du dessus du filtre.
5. Retirer les éléments de la base du filtre.
6. En cas de nettoyage, souffler de l'air. Remplacer le cas échéant. Acheter les pièces de rechange auprès de votre distributeur ou centre de réparation agréé régional. Toujours utiliser des pièces de rechange identiques.
7. Replacer les éléments dans la base du filtre.
8. Reconnecter la base et le dessus du filtre. Tout en enfonçant, tourner 5 degrés en sens horaire.

**▲MISE EN GARDE** : Risque d'utilisation dangereuse. Ne pas utiliser sans le filtre d'admission d'air.

## Vidange du réservoir d'air (fig. 1)

**▲AVERTISSEMENT** : Risque d'utilisation dangereuse. Risque associé au bruit. Les réservoirs d'air contiennent de l'air sous haute pression. Éloigner le visage et toutes autres parties du corps de l'orifice de vidange. Porter des lunettes de sécurité lors de la vidange car il y a risque de projection de débris au visage. Utiliser une protection auditive (ANSI S12.6 (S3.19) car le flux d'air sortant est strident en cours de vidange.

**REMARQUE** : tous les systèmes de compression d'air génèrent des condensats qui s'accumulent à un point de vidange (par ex., réservoir, filtre, dispositifs de postrefroidissement ou sécheur). Le condensat contient de l'huile lubrifiante ou des substances contrôlées, ou les deux, et doivent être éliminés conformément aux lois et règlements municipaux, provinciaux, territoriaux et fédéraux.

1. S'assurer que le commutateur MARCHE/ARRÊT (C) du moteur est en position d'ARRÊT.
2. Déposer un récipient convenable sous la soupape de purge pour recueillir les résidus.
3. Saisir le levier noir de la soupape de purge.
4. Tourner lentement le levier pour purger graduellement l'air du réservoir.
5. Une fois que le manomètre du réservoir affiche 69,9 kPa (10 psi), tourner complètement le levier en position ouverte.
6. Fermer la soupape de purge dès la fin de l'opération.

## Huile de la pompe du compresseur (fig. 1)

### VÉRIFICATION DE L'HUILE

**▲AVERTISSEMENT** : Surfaces chaudes. Risque de brûlure. Le postrefroidisseur, la tête de pompe et les pièces contiguës sont très chaudes – ne pas les toucher (consulter la rubrique Surfaces chaudes de la figure 2). Laisser refroidir le compresseur avant d'effectuer des réparations sur l'appareil.

**▲MISE EN GARDE** : Risque d'utilisation dangereuse. Un réservoir trop plein d'huile provoquera une défaillance prématurée du compresseur. Ne pas remplir plus que nécessaire.

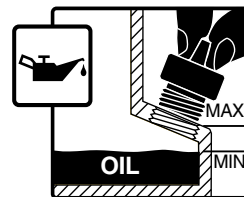
**REMARQUE** : lors du remplissage du carter, l'huile s'écoule très lentement dans la pompe. Si l'huile est ajoutée trop rapidement, elle débordera et le réservoir paraîtra plein.

1. S'assurer que le commutateur MARCHE/ARRÊT (C) du moteur est en position d'ARRÊT.
2. Déposer l'appareil sur une surface plane à niveau.
3. **POUR LES POMPES K**

- Retirer la jauge d'huile (K) et l'essuyer.
- Insérer et retirer la jauge graduée, sans la visser dans le carter, comme illustré à la figure.
- Contrôler le niveau d'huile sur la jauge graduée. Si le niveau d'huile est à ou sous le « Add », faire l'appoint d'huile. Ajouter de l'huile de synthèse DEWALT jusqu'au niveau maximum comme indiqué à la figure.

### POUR LES POMPES G

- Retirer le bouchon de remplissage d'huile (K).
- Vérifier le niveau d'huile. Le niveau d'huile ne doit pas dépasser le rebord sur le côté du carter. (l'huile sera à niveau avec le bas du filetage de la goulotte de remplissage du carter), le cas échéant, faire l'appoint d'huile de synthèse DEWALT.



4. Replacer la jauge graduée/bouchon du réservoir d'huile de la pompe et serrer solidement.

#### VIDANGE D'HUILE

**REMARQUE :** l'huile de la pompe pourrait contenir des substances contrôlées et doit être mise au rebut conformément aux lois et règlements municipaux, provinciaux, territoriaux et fédéraux.

**▲AVERTISSEMENT :** *Surfaces chaudes. Risque de brûlure. Le postrefroidisseur, la tête de pompe et les pièces contiguës sont très chaudes – ne pas les toucher (consulter la rubrique Surfaces chaudes de la figure 2). Laisser refroidir le compresseur avant d'effectuer des réparations sur l'appareil.*

1. S'assurer que le commutateur MARCHE/ARRÊT (C) du moteur est en position d'ARRÊT.
2. Laisser refroidir l'appareil.
3. Débrancher le fil de la bougie.
4. Purger le réservoir d'air.
5. Déposer un récipient convenable sous le bouchon de vidange de la pompe (J).
6. Retirer la jauge graduée/bouchon du réservoir d'huile (K) du carter.
7. Dévisser et retirer le bouchon de vidange d'huile (L).
8. Laisser suffisamment de temps pour que l'huile s'écoule complètement (une inclinaison du compresseur en direction du bouchon de vidange aidera à la vidange).
9. Remettre le bouchon de vidange d'huile en place.
10. Remplir la pompe avec de l'huile de synthèse DEWALT pour compresseur. Le niveau d'huile ne doit pas dépasser le rebord sur le côté du carter. (l'huile sera à niveau avec le bas du filetage de la goulotte de remplissage du carter).

#### **POUR LES POMPES K**

Le niveau d'huile devrait atteindre le repère « Add » sur la jauge graduée.

#### **POUR LES POMPES G**

Le niveau d'huile ne doit pas dépasser le rebord sur le côté du carter. (l'huile sera à niveau avec le bas du filetage de la goulotte de remplissage du carter).

11. Replacer la jauge graduée/bouchon du réservoir d'huile de la pompe et serrer solidement.
12. Rebrancher le fil de la bougie.

#### **Vérification de la tension de la courroie**

**▲AVERTISSEMENT :** *Surfaces chaudes. Risque de brûlure. Le postrefroidisseur, la tête de pompe et les pièces contiguës sont très chaudes – ne pas les toucher (consulter la rubrique Surfaces chaudes de la figure 2). Laisser refroidir le compresseur avant d'effectuer des réparations sur l'appareil.*

1. S'assurer que le commutateur MARCHE/ARRÊT (C) du moteur est en position d'ARRÊT.
2. Laisser refroidir l'appareil.
3. Débrancher le fil de la bougie.
4. Purger le réservoir d'air.
5. **POUR LES POMPES K**  
Retirer les six vis de montage du protège-courroie (deux sur la tête de pompe et quatre sur le châssis)
5. **POUR LES POMPES G**  
Retirer les sept vis de montage du protège-courroie et le crochet en « J » (deux sur la tête de pompe et quatre sur le châssis)
6. Retirer le couvercle externe de la courroie.
7. Mesurer la tension de la courroie. La bonne tension est atteinte lorsqu'un poids de trois livres, ou une pression équivalente des

doigts, appliqué(e) entre la poulie-moteur et le volant du compresseur, provoque une déviation de 6,35 mm (1/2 po) de la courroie. Si un ajustement s'avère nécessaire, consulter la rubrique **Réglage de la tension de la courroie** sous *Entretien*.

8. Remettre la courroie.
9. Rebrancher le fil de la bougie.

## Réglage la tension de la courroie

**▲AVERTISSEMENT :** Surfaces chaudes. Risque de brûlure. Le postrefroidisseur, la tête de pompe et les pièces contiguës sont très chaudes – ne pas les toucher (consulter la rubrique Surfaces chaudes de la figure 2). Laisser refroidir le compresseur avant d'effectuer des réparations sur l'appareil.

1. Suivre les procédures 1 à 6 de la rubrique **Vérification de la tension de la courroie** sous *Entretien*.
2. Inscrire un repère à la base de la pompe, sur le châssis, comme référence.
3. Desserrer les quatre écrous de montage de la pompe.
4. **UNIQUEMENT POUR LES POMPES K**  
Desserrer le boulon du support du raidisseur sans le retirer.
5. Retirer la courroie.
6. Marquer de nouveau le châssis à environ 3,1 mm (1/8 po) du premier repère.
7. Glisser la pompe au nouveau repère et resserrer les écrous de montage de la pompe.

**▲AVERTISSEMENT :** Risque associé aux pièces mobiles Insérer soigneusement la courroie sur le volant tout en évitant de se coincer les doigts entre celle-ci et le volant.

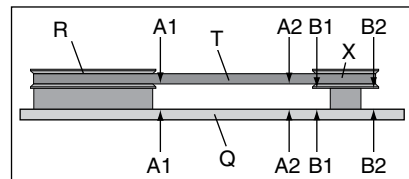
8. Insérer la courroie sur le volant et la poulie une fois la pompe bien fixe.

9. Vérifier la tension de la courroie de nouveau. Consulter l'étape 7 de la rubrique **Vérification de la tension de la courroie** sous *Entretien*.
10. Une fois la bonne tension obtenue, serrer les quatre écrous de montage de la pompe au couple de 8,1 à 10,8 Nm (6 à 8 pi-lb) et le boulon du support du raidisseur au couple de 13,5 à 16,3 Nm (10 à 12 pi-lb) puis replacer le protège-courroie.
11. Rebrancher le fil de la bougie.

## Alignement de la poulie et du volant

Le volant du compresseur d'air et la poulie-moteur doivent être en ligne (dans le même plan) à moins de 1,6 mm (1/16 po) pour que la courroie demeure sur les encoches de courroie du volant. Vérification de l'alignement :

1. S'assurer que le commutateur MARCHE/ARRÊT (C) du moteur est en position d'ARRÊT.
2. Laisser refroidir l'appareil.
3. Débrancher le fil de la bougie.
4. Purger le réservoir d'air.
5. Retirer le couvercle externe de la courroie.
6. Positionner une règle droite (Q) contre la partie externe du volant (R) et la poulie d'entraînement moteur (S).
7. Mesurer la distance entre le bord de la courroie (T) et la règle droite aux points A1 et A2 de la figure. La différence entre les mesures ne devrait pas excéder plus de 1,6 mm (1/16 po).



8. Dans le cas contraire, desserrer la vis de calage qui retient la poulie d'entraînement moteur à l'arbre et régler la position de la poulie sur l'arbre jusqu'à ce que les mesures entre les points A1 et A2 soient à moins de 1,6 mm (1/16 po) de distance l'un de l'autre.
9. Serrer les vis de calage de la poulie d'entraînement moteur à un couple de 16,4 à 18,6 Nm (145 à 165 po-lb).
10. Inspecter visuellement la poulie d'entraînement moteur pour vérifier si elle est perpendiculaire à l'arbre d'entraînement moteur. Sur la figure, les points B1 et B2 devraient paraître égal. Si non, desserrer les vis de calage de la poulie d'entraînement moteur et équilibrer B1 et B2 tout en prenant soin de ne pas déranger l'alignement de la courroie effectuée à l'étape 8.
11. Resserrer les vis de calage de la poulie d'entraînement moteur à un couple de 16,4 à 18,6 Nm (145 à 165 po-lb).
12. Remettre le protège-courroie en place.
13. Rebrancher le fil de la bougie.

## ACCESSOIRES

Les accessoires recommandés pour votre outil peuvent être achetés auprès du distributeur local ou d'un centre de réparation agréé. Si vous avez besoin d'assistance pour trouver un accessoire pour votre outil, veuillez contacter DEWALT Industrial Tool Co., 701 East Joppa Road, Baltimore, MD 21286, États-Unis, composer le 1(800) 4-DEWALT (1-800-433-9258) ou visiter notre site Web à [www.dewalt.com](http://www.dewalt.com).

**▲ MISE EN GARDE :** *l'utilisation de tout autre accessoire non recommandé avec cet outil pourrait s'avérer dangereuse. Utiliser uniquement des accessoires de classement égal ou supérieur à celui de la compresseur d'air.*

## INFORMATION SUR LES RÉPARATIONS

Veuillez recueillir les informations suivantes pour tous les appels au Service à la clientèle :

Numéro du modèle \_\_\_\_\_ Numéro de série \_\_\_\_\_

Date et lieu de l'achat \_\_\_\_\_

### Réparations

Pour assurer la SÉCURITÉ et la FIABILITÉ du produit, les réparations, l'entretien et les réglages doivent être réalisés par un centre de réparation en usine DEWALT, un centre de réparation agréé DEWALT ou par d'autres techniciens qualifiés. Toujours utiliser des pièces de rechange identiques.

### Garantie complète d'un (1) an

Les outils industriels de service intensif de DEWALT sont garantis pour une période de un (1) an à partir de la date d'achat. DEWALT réparera gratuitement toutes déficiences provoquées par un défaut de matériel ou de fabrication. Pour des renseignements relatifs aux réparations sous garantie, composer le 1-800-4-DEWALT. Cette garantie ne s'applique pas aux accessoires ni aux dommages causés par des réparations réalisées ou tentées par des tiers. Cette garantie vous accorde des droits légaux spécifiques et il est possible que vous ayez d'autres droits qui varient d'un État ou d'une province à l'autre.

**AMÉRIQUE LATINE :** cette garantie ne s'applique pas aux produits vendus en Amérique latine. Pour ceux-ci, veuillez consulter les informations relatives à la garantie spécifique présente dans l'emballage, appeler l'entreprise locale ou consulter le site Web pour les informations relatives à cette garantie.

## REEMPLACEMENT GRATUIT DES ÉTIQUETTES

**D'AVERTISSEMENT** : si les étiquettes d'avertissement deviennent illisibles ou sont manquantes, composer le 1-800-4-DEWALT pour en obtenir le remplacement gratuit.

<p><b>▲ WARNING</b></p> <p>LE PNEU DE CE PNEU NE DOIT PAS ÊTRE ÉCHANGÉ PAR UN PNEU D'UN AUTRE FAISANT FONCTIONNER UN PNEU.</p> <p>NE PAS MARCHER SUR UN PNEU EN MARCHANT. EN CAS D'UN CONTACT AVEC UN PNEU DÉFORMÉ PENDANT L'UTILISATION, ARRÊTER IMMÉDIATEMENT LE TRAVAIL ET RÉPARER LE PNEU DÉFORMÉ. UN PNEU DÉFORMÉ PEUT S'ÉCRASER SUR UN PNEU NON DÉFORMÉ, CE QUI PEUT CAUSER DE GRAVES BLESSURES.</p> <p>NE PAS S'APPUYER SUR UN PNEU DÉFORMÉ. UN PNEU DÉFORMÉ PEUT S'ÉCRASER SUR UN PNEU NON DÉFORMÉ, CE QUI PEUT CAUSER DE GRAVES BLESSURES.</p> <p>NE PAS MARCHER SUR UN PNEU DÉFORMÉ. UN PNEU DÉFORMÉ PEUT S'ÉCRASER SUR UN PNEU NON DÉFORMÉ, CE QUI PEUT CAUSER DE GRAVES BLESSURES.</p>	<p><b>▲ ADVERTENCIA</b></p> <p>NO INTERCAMBIAR PNEUS DE ESTE TIPO CON PNEUS DE OTRO TIPO QUE FUNCIONAN COMO PNEUS.</p> <p>NO PASEAR SOBRE UN PNEU EN MARCHA. EN CAS DE CONTACTO CON UN PNEU DEFORMADO DURANTE EL USO, DEJAR INMEDIATAMENTE EL TRABAJO Y REPARAR EL PNEU DEFORMADO. UN PNEU DEFORMADO PUEDE APILARSE SOBRE UN PNEU QUE NO ESTE DEFORMADO, LO QUE PUEDE CAUSAR HERIDAS GRAVES.</p> <p>NO APURE PUNTO SOBRE UN PNEU DEFORMADO. UN PNEU DEFORMADO PUEDE APILARSE SOBRE UN PNEU QUE NO ESTE DEFORMADO, LO QUE PUEDE CAUSAR HERIDAS GRAVES.</p> <p>NO PASEAR SOBRE UN PNEU DEFORMADO. UN PNEU DEFORMADO PUEDE APILARSE SOBRE UN PNEU QUE NO ESTE DEFORMADO, LO QUE PUEDE CAUSAR HERIDAS GRAVES.</p>	<p><b>▲ AVERTISSEMENT</b></p> <p>NE PAS ÉCHANGER UN PNEU DE CE TYPE AVEC UN PNEU D'UN AUTRE FAISANT FONCTIONNER UN PNEU.</p> <p>NE PAS MARCHER SUR UN PNEU EN MARCHANT. EN CAS D'UN CONTACT AVEC UN PNEU DÉFORMÉ PENDANT L'UTILISATION, ARRÊTER IMMÉDIATEMENT LE TRAVAIL ET RÉPARER LE PNEU DÉFORMÉ. UN PNEU DÉFORMÉ PEUT S'ÉCRASER SUR UN PNEU NON DÉFORMÉ, CE QUI PEUT CAUSER DE GRAVES BLESSURES.</p> <p>NE PAS S'APPUYER SUR UN PNEU DÉFORMÉ. UN PNEU DÉFORMÉ PEUT S'ÉCRASER SUR UN PNEU NON DÉFORMÉ, CE QUI PEUT CAUSER DE GRAVES BLESSURES.</p> <p>NE PAS MARCHER SUR UN PNEU DÉFORMÉ. UN PNEU DÉFORMÉ PEUT S'ÉCRASER SUR UN PNEU NON DÉFORMÉ, CE QUI PEUT CAUSER DE GRAVES BLESSURES.</p>
--	---	--

**▲ WARNING** THE ENGINE EXHAUST FROM THIS PRODUCT CONTAINS CARBON MONOXIDE WHICH IS A SILENT KILLER TO CAUSE SERIOUS BREATHING PROBLEMS.

**▲ ADVERTENCIA** EL GASEO DEL MOTOR DE ESTE PRODUCTO CONTIENE MONÓXIDO DE CARBONO, UN GASEO SILENCIOSO QUE PUEDE CAUSAR SERIOS PROBLEMAS RESPIRATORIOS.

**▲ AVERTISSEMENT** L'ÉCHAUFFEMENT DU MOTOR PRODUIT DE CE PRODUIT CONTIENANT DU MONÓXIDO DE CARBONE, UN GASEO SILENCIOSO QUI PEUT CAUSER DE GRAVES BLESSURES RESPIRATOIRES.

<p><b>▲ WARNING</b></p> <p><b>DRAIN TANK DAILY</b></p> <p>DRINK WATER FROM THIS TANK AFTER 4 HOURS OF USE. CONSUMPTION OF WATER FROM THIS TANK WILL RESULT IN ILL HEALTH.</p> <p>SEE MANUAL FOR INSPECTION PROCEDURES. THE DRINK TANK MUST BE OPENED AND THEN CLEANED TO DAILY RECALIBRATED WATER.</p>	<p><b>▲ ADVERTENCIA</b></p> <p><b>DRENE EL TANQUE A DIARIO</b></p> <p>3 HORAS DESPUÉS DE CADA HORAS DE USO. LA BEBIDA DE AGUA DE ESTE TANQUE PODRÍA CAUSAR UN MAL TRABAJO DE LA SALUD.</p> <p>VEA EL MANUAL PARA PROCEDER LAS PASOS PARA INSPECCIONAR EL TANQUE. EL TANQUE DEBE SER ABIEERTO Y LIMPIADO DIARIAMENTE PARA REAJUSTAR EL AGUA A UN NIVEL DE CALIDAD.</p>	<p><b>▲ AVERTISSEMENT</b></p> <p><b>PURGER LE RÉSERVOIR QUOTIDIENNEMENT</b></p> <p>3 HEURES APRÈS CHAQUE HEURE D'UTILISATION, LA BOISSON D'EAU DE CE RÉSERVOIR POURRAIT ÊTRE CAUSÉE PAR LA CONTAMINATION D'UN CITOYEN ET ÊTRE PÉJONÉ EN MAUVAIS ÉTAT DE SANTÉ.</p> <p>SE REPORTER AU MODE D'EMPLOI POUR CONNAÎTRE LES PROCÉDURES D'INSPECTION ET D'ENTRETIEN QUOTIDIEN DU RÉSERVOIR D'EAU À CONSOMER.</p>
--	---	---

**▲ WARNING** HOT SURFACES  
**▲ ADVERTENCIA** SUPERFICIES CALIENTES  
**▲ AVERTISSEMENT** SURFACES CHAUDES

## GLOSSAIRE

**pi<sup>3</sup>/min (CFM)** : pied cube par minute.

**SCFM** : pied cube par minute (standard), une unité de mesure du soufflage.

**PSI** : livres par pouce carré, une unité de mesure de pression.

**kPa (kilopascal)** : unité de mesure de pression. 1 kilopascal est égal à 1000 pascals.

**Code de certifications** : les produits qui affichent un ou plusieurs des étampes suivantes : UL, CUL, ETL, CETL ont été évalués par un laboratoire de sécurité indépendamment sanctionné par l'OSHA et qui répond aux normes en vigueur des Underwriters Laboratories en ce qui a trait à la sécurité.

**Code californien** : l'appareil pourrait être conforme au code de la Californie 462 (I) (2)/(M) (2). L'étiquette de spécifications/modèle est apposée sur le côté du réservoir d'air des appareils qui sont conformes au code californien.

**Pression de déclenchement de la soupape de décompression** : tous les modèles sont des appareils qui fonctionnent en continu et contrôlés par le réservoir d'air. La soupape de décompression du réservoir d'air se purgera dès que la pression maximale du réservoir est atteinte. Ainsi, le compresseur évacuera l'air dans l'atmosphère et non dans le réservoir. La décompression diminue la charge sur le moteur et lui permet de tourner à un régime presque à vide.

**Pression de réinitialisation de la soupape de décompression** : lorsque la pression du réservoir d'air chute sous une valeur de consigne, la soupape de décompression se ferme. La pression se développera de nouveau jusqu'à l'atteinte de la pression de déclenchement de la soupape de décompression.

Français

## Guide de dépannage

Cette section énumère les défaillances les plus communes, leurs causes et les mesures correctives. L'opérateur ou le personnel d'entretien peut exécuter certaines mesures correctives, d'autres exigent l'assistance d'un technicien DEWALT qualifié ou du distributeur.

Problème	Code
Pression excessive dans le réservoir d'air : la soupape de sûreté claque .....	1
Fuites d'air .....	2
Fuite d'air continuelle à la soupape de décompression.....	3
Fuites d'air dans le réservoir d'air ou dans les soudures du réservoir d'air .....	4
Fuites d'air entre la tête et la plaque porte-soupapes .....	5
Fuites d'air à la soupape de sûreté.....	6
Le compresseur ne fournit pas la quantité d'air requise pour le fonctionnement d'accessoires.....	2,7,8,9,10,12,13
Admission d'air restreinte.....	12
Vibrations excessives.....	14,15
Cliquetis .....	6,13,14,15, 16,17,18,19
Usure excessive de la courroie .....	13,14,16,19,20
Sifflement.....	13
Moteur refuse de démarrer.....	21,22,23,34
La pression affiché sur le manomètre régulé chute dès l'utilisation d'un accessoire .....	24
Fuite d'air continuelle au bouton du régulateur .....	25
Le régulateur ne parvient pas à fermer la sortie d'air.....	25
Humidité présente dans le carter de la pompe .....	2,5, 11,26,27,28,29,30,31
Pompe refuse de fonctionner .....	32
Pression du réservoir d'air ne se développe pas .....	32,33



## Codes de dépannage

CODE	CAUSE POSSIBLE	POSSIBLE SOLUTION
1	La soupape de décompression ne s'ouvre pas lorsque le réservoir d'air atteint la pression <b>de déclenchement</b>	Remplacer la soupape de décompression. Communiquer avec un centre de réparation en usine de DEWALT ou un centre de réparation agréé DEWALT.
2	Les raccords sont lâches	Serrer les raccords qui émettent un sifflement de fuite d'air. Contrôler les raccords avec une solution d'eau savonneuse. <b>NE PAS TROP SERRER.</b>
3	Soupape de décompression défectueuse	Arrêter le moteur, tourner le levier de décompression du blocage manuel en position perpendiculaire <b>fermée</b> . S'il y a présence de fuites d'air au réservoir par la soupape de décompression, la remplacer.
4	Réservoir d'air défectueux	Le réservoir d'air doit être remplacé. Ne pas réparer la fuite. <b>▲AVERTISSEMENT</b> : <i>Risque d'éclatement. Ne pas percer le réservoir d'air, ni le souder ou le modifier de quelque manière qui soit. Ces interventions l'affaibliront. Le réservoir risque de rompre ou d'exploser.</i>
5	Joints d'étanchéité fuyants	Communiquer avec un centre de réparation en usine de DEWALT ou un centre de réparation agréé DEWALT.
6	Soupape de sûreté défectueuse	Faites fonctionner la soupape manuellement en tirant sur la bague. Si la soupape fuit toujours, la remplacer.
7	Utilisation excessive prolongée de l'air	Diminuer la quantité d'air utilisée.
8	Le compresseur ne dispose pas de la capacité adéquate pour l'utilisation d'accessoires	Vérifier les exigences d'air de l'accessoire. Si elles sont supérieures au SCFM ou à la pression fournie par le compresseur d'air, un compresseur de plus grande capacité est requis pour l'utilisation de l'accessoire.

CODE	CAUSE POSSIBLE	POSSIBLE SOLUTION
9	Trou dans le tuyau d'air	Vérifier le tuyau et le remplacer le cas échéant.
10	Soupape de décompression obstruée	Retirer, nettoyer ou remplacer.
11	L'appareil fonctionne dans des conditions humides ou fraîches	Déplacer l'appareil dans un endroit sec bien aéré.
12	Filtre d'admission d'air obstrué	Nettoyer ou remplacer le filtre d'admission d'air.
13	Courroie lâche	Contrôler la tension de la courroie, consulter la rubrique <b>Réglage de la tension de la courroie</b> sous <i>Entretien</i> .
14	Modèles D55270, D55270T, D55275 et D55276 Écrous de montage du moteur ou de la pompe lâches. Modèles D55271 et D55271T Boulons de montage du moteur ou les écrous de montage de la pompe lâches.	Serrer les écrous de montage de la pompe à un couple de 8,1 à 10,8 Nm (6 à 8 pi-lb). Serrer les boulons de montage du moteur à un couple de 10,8 à 13,6 Nm (8 à 10 pi-lb). <b>▲AVERTISSEMENT</b> : Risque d'éclatement. Des vibrations excessives peuvent affaiblir le réservoir d'air et provoquer une rupture ou une explosion de celui-ci. Maintenir les vis de fixation bien serrées.
15	<b>POUR LES POMPES K</b> Le boulon du support du raidisseur de la pompe est lâche	Contrôler le boulon et le serrer le cas échéant. Serrer le boulon du support du raidisseur de la pompe à un couple de 13,6 à 16,3 Nm (10 à 12 pi-lb). <b>▲AVERTISSEMENT</b> : Risque d'éclatement. Des vibrations excessives peuvent affaiblir le réservoir d'air et provoquer une rupture ou une explosion de celui-ci. Maintenir le boulon du support du raidisseur serré. Ne jamais utiliser l'appareil sans le support du raidisseur.
16	Poulie lâche	Serrer les vis de calage de la poulie à un couple de 16,4 à 18,6 Nm (145 à 165 po-lb).
17	Volant lâche	Serrer la vis du volant à un couple de 20,3 à 24,4 Nm (15 à 18 pi-lb).

CODE	CAUSE POSSIBLE	POSSIBLE SOLUTION
18	Accumulation de carbone dans la pompe	Communiquer avec un centre de réparation en usine de DEWALT ou un centre de réparation agréé DEWALT.
19	Courroie trop serrée	Contrôler la tension de la courroie, consulter la rubrique <b>Réglage de la tension de la courroie</b> sous <i>Entretien</i> .
20	Mauvais alignement de la poulie	Consulter la rubrique <b>Alignement de la poulie-moteur/volant</b> sous <i>Entretien</i> .
21	Pression dans le réservoir d'air trop élevée	Ouvrir le régulateur et réduire la pression du réservoir à moins de 275,8 kPa (40 psi).
22	Moteur défaillant	Communiquer avec un centre de réparation en usine de DEWALT ou un centre de réparation agréé DEWALT.
23	Niveau d'huile moteur ou de la pompe bas	Ajouter de l'huile de synthèse DEWALT pour compresseur, dans la pompe. Consulter la rubrique <b>Huile de la pompe du compresseur</b> sous <i>Entretien</i> .
24	Le régulateur n'est pas réglé correctement pour l'accessoire utilisé	Il est normal que la pression chute lorsqu'un accessoire est utilisé, <b>ajuster le régulateur</b> comme indiqué sous <i>Caractéristiques</i> si la pression chute trop. <b>REMARQUE</b> :régler la pression régulée sous des conditions de travail avec l'utilisation de l'accessoire.
25	Régulateur endommagé	Le remplacer.
26	Utilisation d'huile détergente dans la pompe	Vidanger l'huile et remplir avec le l'huile de synthèse de DEWALT pour compresseur.
27	Cycles de travail extrêmement léger	Utiliser l'appareil pour des cycles de travail plus prolongés. On recommande de l'utiliser à plein régime de 50 % à 75 % de son temps de fonctionnement et au ralenti pour les autres 25 %.

CODE	CAUSE POSSIBLE	POSSIBLE SOLUTION
28	Segments de pistons endommagés ou usés	Communiquer avec un centre de réparation en usine de DEWALT ou un centre de réparation agréé DEWALT.
29	Cylindre ou piston endommagé ou usé	Communiquer avec un centre de réparation en usine de DEWALT ou un centre de réparation agréé DEWALT.
30	Fini du cylindre du compresseur est usé	Communiquer avec un centre de réparation en usine de DEWALT ou un centre de réparation agréé DEWALT.
31	Eau présente dans l'huile de la pompe	Vidanger l'huile et remplir avec le l'huile de synthèse de DEWALT pour compresseur.
32	Levier de décompression du blocage manuel est en position <b>ouverte</b> .	Tourner le levier de décompression du blocage manuel en position perpendiculaire <b>fermée</b> .
33	Régulateur ouvert	Tourner le bouton du régulateur en sens antihoraire jusqu'au butoir intégré et l'enfoncer pour le verrouiller.
34	Réservoir d'essence de la pompe vide	Ajouter de l'essence, consulter le mode d'emploi du moteur pour la bonne procédure.

## Compresor de aire

- A. Filtro de entrada de aire de la bomba
- B. Filtro de aire del motor
- C. Interruptor de Encendido/ Apagado del motor
- D. Manómetro del tanque de aire
- E. Manómetro regulado
- F. Regulador de presión
- G. Salida de aire
- H. Válvula de descarga
- I. Válvula de seguridad
- J. Válvula de drenaje del tanque de aire
- K. Varilla para medición del nivel de aceite de la bomba/Tapón de llenado de aceite
- L. Tapón de drenaje de aceite de la bomba

## Especificaciones de la bomba

### BOMBA K

Cilindros gemelos verticales, en línea

Etapa sencilla

Lubricación con aceite

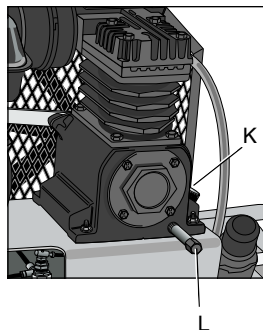
Cárter, cilindro y cabeza en hierro colado

Diámetro: 63,5 mm (2,5 pulg.)

Carrera: 50,8 mm (2 pulg.)

Peso: 21,32 kg (47 lbs.)

Capacidad de aceite: 414 ml (14 onzas)



## Especificaciones de la bomba

### BOMBA G

4 Cilindros gemelos en V

Etapa sencilla

Lubricación con aceite

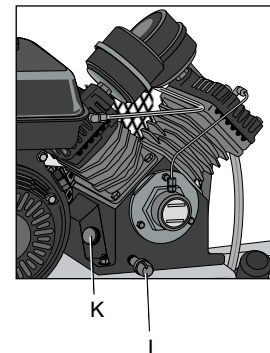
Cárter, cilindro y cabeza en hierro colado

Diámetro: 63,5 mm (2,5 pulg.)

Carrera: 60,33 mm (2,75 pulg.)

Peso: 31,3 kg (69 lbs.)

Capacidad de aceite: 887 ml (30 onzas)



## Especificaciones del motor

### 5.5 HP HONDA GX160

Combustión interna

4 tiempos

3450 RPM

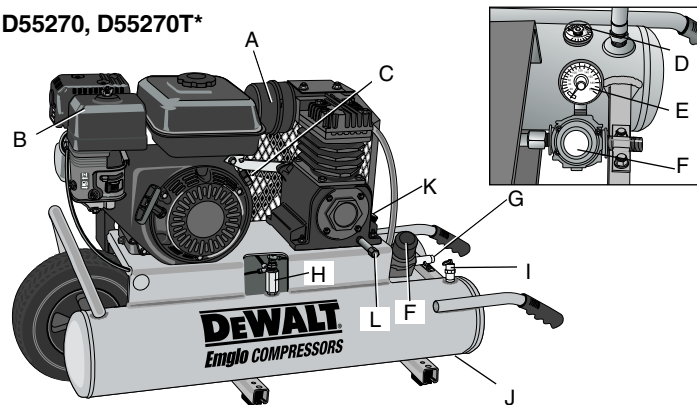
### 9 HP HONDA HONDA GX270

Combustión interna

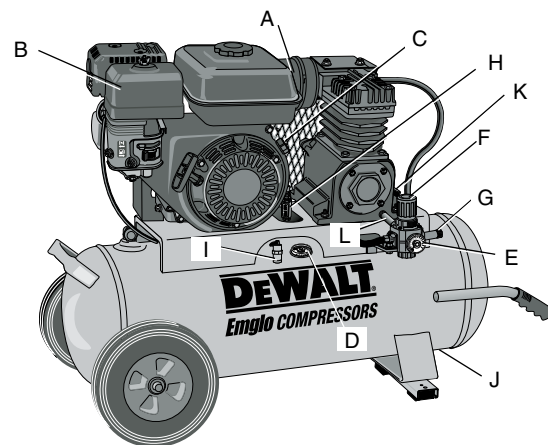
4 tiempos

3450 RPM

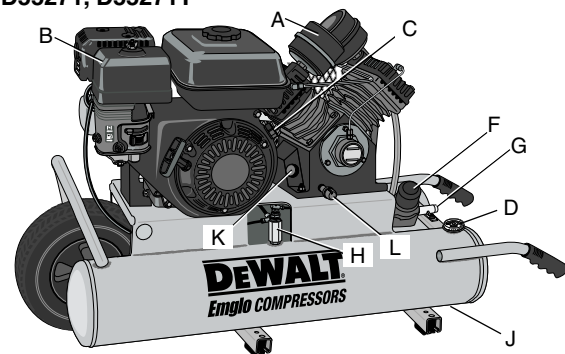
D55270, D55270T\*



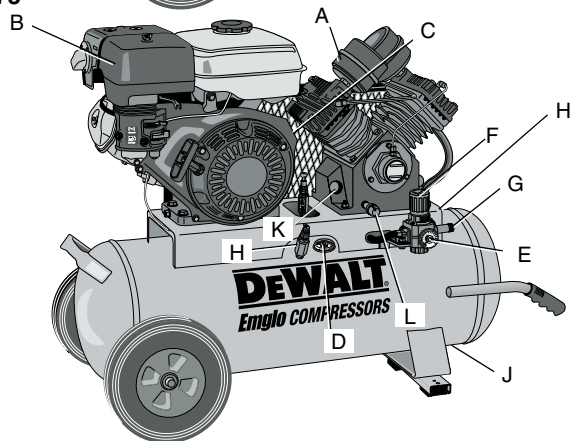
D55276



D55271, D55271T\*



D55275

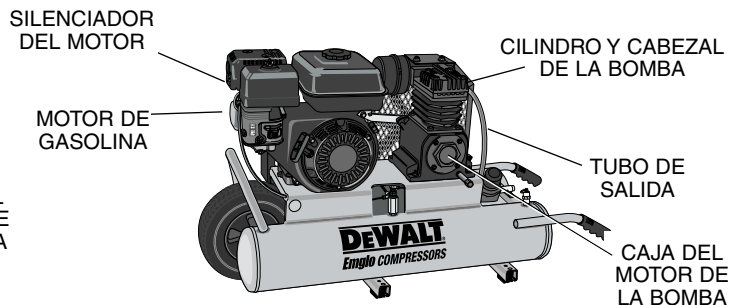
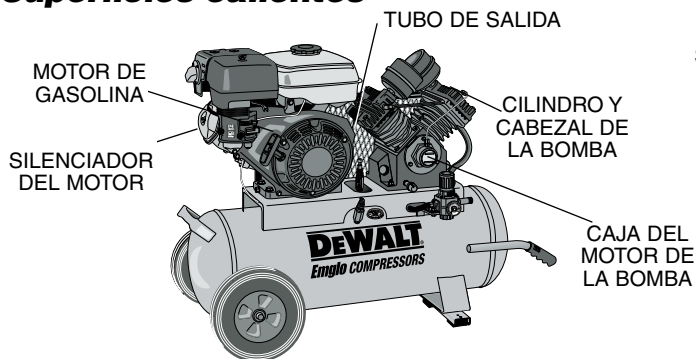


\*"T" denota la versión 2-wheel

## Especificaciones

MODELO	D55270	D55271	D55275	D55276
PESO	72,57 kg (160 libras)	96,62 kg (213 libras)	107,96 kg (238 libras)	83,91 kg (185 libras)
ALTURA	635 mm (25 pulg.)	704,85 mm (27,75 pulg.)	857,25 mm (33,75 pulg.)	787,4 mm (31 pulg.)
ANCHO	463,55 mm (18,25 pulg.)	463,55 mm (18,25 pulg.)	514,35 mm (20,25 pulg.)	514,35 mm (20,25 pulg.)
LONGITUD	1092,2 mm (43 pulg.)	1092,2 mm (43 pulg.)	1092,2 mm (43 pulg.)	1092,2 mm (43 pulg.)
CAPACIDAD DEL TANQUE DE AIRE (LITROS)	30,3 (8 galones)	30,3 (8 galones)	64,4 (17 galones)	64,4 (17 galones)
PRESIÓN APROXIMADA DE ALIVIO	125 PSI (1034,2 kPa)	125 PSI (1034,2 kPa)	125 PSI (1034,2 kPa)	125 PSI (1034,2 kPa)
VALORES TÍPICOS @ 100 PSI CFM	8,9	16,2	16,2	8,9
BOMBA	K Bomba	G Bomba	G Bomba	K Bomba
MOTOR	5,5 HP HONDA GX160	9 HP HONDA GX270	9 HP HONDA GX270	5,5 HP HONDA GX160

## Superficies calientes



## Définitions : lignes directrices en matière de sécurité

Las siguientes definiciones describen el nivel de gravedad de cada advertencia. Lea el manual y preste atención a estos símbolos.

**▲PELIGRO:** Indica una situación de peligro inminente que, si no se evita, **provocará la muerte o lesiones graves.**

**▲ADVERTENCIA:** Indica una situación de peligro potencial que, si no se evita, **podría provocar la muerte o lesiones graves**

**▲PRECAUCIÓN:** Indica una situación de peligro potencial que, si no se evita, **puede provocar lesiones leves o moderadas.**

**PRECAUCIÓN:** Utilizado sin el símbolo de alerta de seguridad indica una situación de peligro potencial que, si no se evita, **puede provocar daños en la propiedad.**

## Instrucciones de seguridad importantes

**▲ADVERTENCIA:** No opere esta unidad hasta que haya leído y comprendido este manual de instrucciones y el del motor y las instrucciones de seguridad, operación y mantenimiento.

**▲ADVERTENCIA:** Es posible que este producto no esté equipado con un silenciador apagachispas. Si el producto no está equipado con este dispositivo y se va a usar alrededor de materiales inflamables o sobre tierra cubierta con materiales como cultivos agrícolas, bosques, malezas, césped u otros elementos similares, debe instalarle un apagachispas aprobado. Éste es un requisito legal en el estado de California. Que el motor no esté equipado con un apagachispas, como se define en la sección 4442 del Código de Recursos Públicos de California ni se mantenga en un estado de operación eficaz, constituye una violación a la sección 13050 y/o a las secciones 4442 y 4443 de los estatutos de California. Los apagachispas también se requieren en ciertas tierras del Servicio Forestal de los Estados Unidos, y pueden ser obligatorios por ley en virtud de otros estatutos y ordenanzas.

**▲ADVERTENCIA:** Este producto contiene sustancias químicas, incluido el plomo, reconocidas por el Estado de California como causantes de cáncer, defectos de nacimiento u otros problemas reproductivos. Lávese las manos después de utilizarlo.

## GUARDE ESTAS INSTRUCCIONES



### ▲PELIGRO: RIESGO DE EXPLOSIÓN O INCENDIO

#### ¿QUÉ PUEDE SUCEDER?

- La gasolina derramada y sus vapores pueden encenderse a causa de chispas de cigarrillos, arcos eléctricos, gases de escape y componentes calientes del motor, tales como el silenciador.
- El calor expandirá el combustible dentro del tanque, lo que podría provocar un derrame y una posible explosión incendio.

#### CÓMO EVITARLO

- Apague el motor y deje que se enfríe antes de agregar combustible al tanque.
- Sea cuidadoso al llenar el tanque para evitar el derrame de combustible. Aleje la unidad del área combustible antes de encender el motor.
- Mantenga el nivel máximo de combustible a 12,7 mm (1/2 pulg.) por debajo de la parte inferior del cuello de llenado a fin de brindar espacio para la expansión del combustible.



- Los materiales combustibles que entran en contacto con los componentes calientes del motor pueden encenderse.

- Agregue combustible en el exterior, en un área bien ventilada. Asegúrese de que no haya fuentes de ignición, tales como cigarrillos cerca del lugar de recarga de combustible.
- Opere el compresor en un área limpia, seca, bien ventilada y a una distancia mínima de 1,22 m (48 pulg.) de cualquier edificación, objeto o pared. No opere la unidad dentro de la casa o en un área muy cerrada.
- Opere el compresor en un lugar abierto, alejado de malezas secas o de otros materiales combustibles.

- El combustible que no se almacena en forma correcta podría causar la ignición accidental. Si no se le resguarda adecuadamente, podría terminar en manos de niños u otras personas no calificadas.

- Almacene el combustible dentro de un contenedor aprobado por OSHA en un lugar seguro, lejos del área de trabajo.

- El funcionamiento sin atención de este producto podría provocar lesiones personales o daños a la propiedad. Para disminuir el riesgo de incendio, no permita que el compresor funcione sin que alguien lo controle.

- Permanezca siempre controlando el producto cuando está en funcionamiento.



**▲ PELIGRO: RIESGO RESPIRATORIO (ASFIXIA)**

**¿QUÉ PUEDE SUCEDER?**

- ¡La inhalación de vapores de escape causará lesiones graves o la muerte! El escape del motor contiene monóxido de carbono, un gas inodoro que es fatal.

**CÓMO EVITARLO**

- Opere siempre el compresor de aire en el exterior, en un área limpia y bien ventilada. Evite los lugares cerrados como garajes, sótanos, cobertizos de almacenamiento, que carecen de una renovación de aire continua. Mantenga a los niños, las mascotas y a otras personas lejos del área de operación.

- El aire comprimido que sale de su compresor no es seguro para respirarlo. El flujo de aire puede contener monóxido de carbono, vapores tóxicos o partículas sólidas del tanque de aire. Respirar estos contaminantes puede provocar lesiones graves o la muerte.
- El aire que se obtiene directamente del compresor no se debe usar nunca para consumo humano. Para poder utilizar el aire producido por este compresor para respirar, se deben instalar correctamente filtros y equipos en línea adecuados. Los filtros y los equipos de seguridad en línea que se usan junto con el compresor deben ser capaces de tratar el aire según todos los códigos locales y federales antes de que sea consumido por seres humanos.
- Los materiales pulverizados como pintura, solventes para pinturas, removedor de pintura, insecticidas y herbicidas pueden contener vapores dañinos y venenos.
- Trabaje en un área con buena ventilación cruzada. Lea y siga las instrucciones de seguridad que se proveen en la etiqueta o en las hojas de datos de seguridad de los materiales que está utilizando. Utilice siempre equipo de seguridad certificado: protección respiratoria aprobada por NIOSH/OSHA (Instituto Nacional de Salud y Seguridad Ocupacional de EE.UU./Administración de la Salud y Seguridad Ocupacional de EE.UU.) diseñada para usar para los fines que usted requiere.



**▲ PELIGRO: RIESGO DE LESIÓN O DAÑO A LA PROPIEDAD AL TRANSPORTAR O ALMACENAR LA UNIDAD**

**¿QUÉ PUEDE SUCEDER?**

- Se puede producir una pérdida o derrame de aceite, lo que podría provocar peligro de incendio o inhalación, lesiones graves o la muerte. Los derrames de aceite dañarán alfombras, pintura u otras superficies de vehículos o remolques.

**CÓMO EVITARLO**

- Coloque siempre el compresor en un tapete protector cuando lo transporte, para proteger al vehículo de daños por pérdidas. Retire inmediatamente el compresor del vehículo una vez que haya llegado a destino. Mantenga siempre el compresor nivelado y nunca lo coloque de costado.



**▲ ADVERTENCIA: RIESGO DE EXPLOSIÓN**

**Tanque de aire:** El tanque de aire de su compresor de aire está diseñado y puede tener código UM (para unidades con tanques de aire de más de 152 mm (6 pulgadas) de diámetro) según las normas de la ASME, Sección VIII, Div. 1. Todos los recipientes de presión se deben inspeccionar cada dos años. Para encontrar al inspector de recipientes de presión de su estado, busque en la División Trabajo e Industrias de la sección gubernamental de la guía telefónica o llame al 1-800-4-DEWALT para obtener ayuda. Las siguientes condiciones podrían llevar a un debilitamiento del tanque de aire, y provocar una explosión violenta del tanque:

## ¿QUÉ PUEDE SUCEDER?

- No drenar correctamente el agua condensada del tanque de aire, que provoca óxido y adelgazamiento del tanque de aire de acero.
- Modificaciones o intento de reparación del tanque de aire.
- Modificaciones no autorizadas de la válvula de descarga, la válvula de seguridad o cualquier otro componente que controle la presión del tanque de aire.

### **PARA UNIDADES CON BOMBA K**

- La vibración excesiva puede debilitar el tanque de aire y provocar rotura o explosión. La vibración excesiva puede ocurrir si el compresor no está instalado correctamente o si el motor funciona por encima de las RPM recomendadas.

## CÓMO EVITARLO

- Drene el tanque diariamente o luego de cada uso. Si un tanque de aire presenta una pérdida, reemplácelo inmediatamente con un tanque nuevo o reemplace todo el compresor.
- Nunca perforo, suelde o haga ninguna modificación al tanque de aire o a sus elementos. Nunca intente reparar un tanque de aire dañado o con pérdidas. Reemplácelo con un tanque de aire nuevo.
- El tanque de aire está diseñado para soportar determinadas presiones de operación. Nunca realice ajustes ni sustituya piezas para cambiar las presiones de operación fijadas en la fábrica.
- No retire la barra tensora que conecta la bomba del compresor al motor, salvo para ajustar la tensión de la correa. Luego ajuste bien los pernos de la barra tensora. Esta barra controla la vibración de la unidad.

## Elementos y accesorios:

- Exceder las indicaciones de presión para las herramientas neumáticas, las pistolas pulverizadoras, los accesorios neumáticos, los neumáticos y otros artículos inflables puede hacer que exploten o reventen, y puede provocar lesiones graves.
- Siga la recomendación del fabricante del equipo y nunca exceda el nivel máximo de presión aceptable para los elementos. Nunca utilice el compresor para inflar objetos pequeños de baja presión, tales como juguetes de niños, pelotas de fútbol o de básquetbol, etc.

## Neumáticos:

- El inflado excesivo de los neumáticos podría causar lesiones graves y daño a la propiedad.
- Utilice un medidor de presión de neumáticos para controlar la presión de éstos antes de cada uso y mientras los infla; observe el flanco para ver la presión correcta del neumático.

**NOTA:** Los tanques de aire, los compresores y el equipo similar que se usa para inflar neumáticos pueden llenar neumáticos pequeños como éstos con mucha rapidez. Ajuste el regulador de presión en el suministro de aire a un valor que no supere el de la presión del neumático. Agregue aire en forma gradual y use con frecuencia el medidor de presión de neumáticos para evitar inflarlos.



### ▲ **ADVERTENCIA: RIESGO DE OBJETOS DESPEDIDOS**

#### ¿QUÉ PUEDE SUCCEDER?

- La corriente de aire comprimido puede provocar lesiones en los tejidos blandos de la piel expuesta y puede impulsar suciedad, astillas, partículas sueltas y objetos pequeños a gran velocidad, que pueden producir daños en la propiedad y lesiones personales.

#### CÓMO EVITARLO

- Utilice siempre equipo de seguridad certificado: anteojos de seguridad ANSI Z87.1 (CAN/CSA Z94.3) con protección lateral al usar el compresor.
- Nunca apunte ninguna boquilla ni pulverizador a ninguna parte del cuerpo o a otras personas o animales.
- Apague siempre el compresor y drene la presión de la manguera de aire y del tanque de aire antes de intentar hacer mantenimiento, conectar herramientas o accesorios.



### ▲ **ADVERTENCIA: RIESGO DE SUPERFICIES CALIENTES**

#### ¿QUÉ PUEDE SUCCEDER?

- Tocar metal expuesto como el cabezal del compresor, el cabezal del motor, el escape del motor, o los tubos de salida puede provocar quemaduras graves.

#### CÓMO EVITARLO

- Nunca toque ninguna parte metálica expuesta del compresor durante o inmediatamente después de su funcionamiento. El compresor continuará caliente durante varios minutos después de su funcionamiento.
- No toque las cubiertas protectoras ni intente realizar mantenimiento hasta que la unidad se haya enfriado.



### ▲ **ADVERTENCIA: RIESGO POR PIEZAS MÓVILES**

#### ¿QUÉ PUEDE SUCCEDER?

- El motor puede arrancar en forma accidental si el volante se gira con la mano o si se mueve al tirar de la cuerda de arranque.

#### CÓMO EVITARLO

- Desconecte siempre la bujía y drene la presión del tanque de aire antes de realizar tareas de mantenimiento.



- Las piezas móviles como la polea, el volante y la correa pueden provocar lesiones graves si entran en contacto con usted o con sus ropas.
- Nunca haga funcionar el compresor sin los protectores o cubiertas o si los mismos están dañados.
- Mantenga el cabello, la ropa y los guantes alejados de las piezas en movimiento. Las ropas holgadas, las joyas o el cabello largo pueden quedar atrapados en las piezas móviles.
- Los orificios de ventilación pueden cubrir piezas en movimiento, por lo que también se deben evitar.
- Intentar hacer funcionar el compresor con partes dañadas o faltantes, o intentar reparar el compresor sin las cubiertas protectoras puede exponerlo a piezas móviles, lo que puede provocar lesiones graves.
- Cualquier reparación requerida por este producto debe ser realizada por un centro de servicio de fábrica DEWALT o un centro de servicio autorizado DEWALT.

### **⚠ ADVERTENCIA: RIESGO DE OPERACIÓN INSEGURA**

#### **¿QUÉ PUEDE SUCEDER?**

- La operación insegura de su compresor de aire podría producir lesiones graves o la muerte, a usted mismo o a otras personas.

#### **CÓMO EVITARLO**

- Revise y comprenda todas las instrucciones y advertencias de este manual.
- Familiarícese con la operación y los controles del compresor de aire.
- Mantenga el área de operaciones libre de personas, mascotas y obstáculos.
- Mantenga a los niños alejados del compresor de aire en todo momento.
- No opere el producto cuando esté cansado o bajo la influencia de alcohol o drogas. Manténgase alerta en todo momento.
- Nunca anule las características de seguridad de este producto.
- Equipe el área de operaciones con un extintor de incendios.
- No opere la máquina si faltan piezas, si éstas están rotas o si no son las autorizadas.
- Nunca se pare sobre el compresor.



**▲ADVERTENCIA: RIESGO DE LESIÓN POR LEVANTAR MUCHO PESO**

**¿QUÉ PUEDE SUCEDER?**

- El intento de levantar un objeto muy pesado puede provocar lesiones graves.

**CÓMO EVITARLO**

- El compresor es demasiado pesado como para que lo levante una sola persona. Consiga ayuda de otras personas para levantarlo.



**▲PRECAUCIÓN: RIESGOS POR RUIDO**

**¿QUÉ PUEDE SUCEDER?**

- En determinadas condiciones y según el período de uso, el ruido provocado por este producto puede originar pérdida de audición.

**CÓMO EVITARLO**

- Utilice siempre equipo de seguridad certificado: protección auditiva ANSI S12.6 (S3.19).

**CONSERVE ESTAS INSTRUCCIONES PARA FUTURAS CONSULTAS**

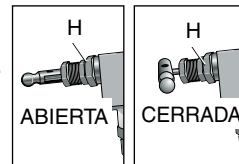
**CARACTERÍSTICAS**

**VÁLVULA DE DESCARGA**

Cuando se obtenga la presión máxima del tanque de aire, la válvula de descarga (H) se activará. Esto provocará que el compresor descargue el aire a la atmósfera y no al tanque.

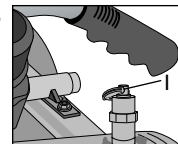
**Bloqueo manual:** El bloqueo manual le permite descargar manualmente el compresor con presión de aire en el tanque de aire. Para operar el bloqueo manual:

Gire la palanca de descarga de bloqueo manual a la posición de **abierta** para evitar la acumulación de presión en el tanque de aire. Gire la palanca de descarga de bloqueo manual a la posición de **cerrada** luego de encender el motor para permitir que se acumule presión en el tanque de aire. **NOTA:** El aire no se acumulará en el tanque cuando la palanca de descarga de bloqueo manual esté en la posición de abierta.



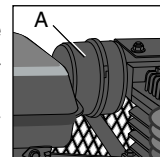
**VÁLVULA DE SEGURIDAD**

Esta válvula (I) está diseñada para prevenir fallas del sistema aliviando la presión cuando el aire comprimido alcanza un nivel predeterminado. La válvula está calibrada desde fábrica y no se debe quitar ni modificar de ninguna forma.



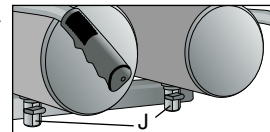
**FILTRO DE ENTRADA DE AIRE**

El filtro (A) está diseñado para limpiar el aire que ingresa a la bomba. Para asegurar que la bomba reciba continuamente un suministro de aire limpio, fresco y seco, el filtro debe estar siempre limpio y la entrada del filtro libre de obstrucciones.



**VÁLVULA DE DRENAJE DEL TANQUE DE AIRE**

La válvula de drenaje (J) se utiliza para eliminar la humedad del tanque de aire luego de apagar el motor.

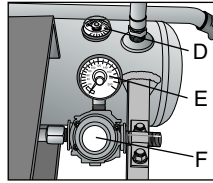


## MANÓMETRO DEL TANQUE DE AIRE

El manómetro del tanque de aire (D) indica la presión de aire dentro del tanque de aire.

## MANÓMETRO REGULADO

El manómetro regulado (E) indica la presión de aire disponible en la salida del regulador. Esta presión la controla el regulador y es siempre menor que, o igual a, la presión del tanque de aire.



## REGULADOR

La perilla del regulador (F) controla la presión de aire proveniente del tanque de aire.

### Ajuste del regulador:

1. Tire la perilla del regulador (F) hacia afuera.
2. Gire la perilla en sentido de las agujas del reloj para aumentar la presión regulada y en sentido contrario a las agujas del reloj para disminuirla.
3. Cuando la presión deseada aparezca en el manómetro regulado, empuje la perilla hacia adentro para bloquearla.

## CONTROL DE GASES

Cuando se alcanza la presión máxima del tanque de aire y la válvula de descarga ventila aire, se activa el control de gases en el motor. Esta característica de ahorro de gas mantiene el motor en una marcha en vacío fijada en fábrica hasta que la presión de aire del tanque baja a la presión de reajuste. La válvula de descarga reactiva luego el control de gases y acelera el motor a plena marcha.

## SENSORES DE APAGADO AUTOMÁTICO DEBIDO A BAJO NIVEL DE ACEITE

El motor del compresor de aire está equipado con un sensor de apagado automático debido a bajo nivel de aceite. Éste es un dispositivo de seguridad diseñado para proteger al motor de daños en el caso de que el nivel de aceite de la caja del motor esté por debajo del mínimo.

Si el aceite del motor baja mientras el compresor de aire está en funcionamiento, el motor se apagará automáticamente y no se encenderá nuevamente hasta que se agregue aceite al motor o a la bomba. Si el nivel de aceite es bajo antes del encendido, el motor no arrancará hasta que no se agregue aceite.

**NOTA:** el sensor de apagado automático debido a bajo nivel de aceite es muy sensible. Debe llenar el motor y la bomba hasta la marca de completo en la varilla de medición del nivel de aceite para desactivar este dispositivo de seguridad.

## INSTALACIÓN

### Ensamblaje (Fig. 1)

#### INSTALACIÓN DE LAS MANGUERAS

**▲ADVERTENCIA:** Riesgo de operación insegura. Sostenga la manguera firmemente con las manos al instalarla o desconectarla para evitar la desconexión repentina de la manguera.

1. Asegúrese de que el manómetro regulado marque 0 kPa (0 PSI).
2. Coloque cinta selladora en las roscas de la manguera.
3. Ensamble la manguera a la salida de aire (G). **IMPORTANTE:** No ensamble los separadores directamente a la salida de aire (G).

**NOTA:** Ensamblar conectores rápidos a las salidas de aire (G) y enchufes de conexión rápida a los extremos de la manguera hace que la conexión y la desconexión de las mangueras sea más simple y fácil. Los conectores rápidos y los enchufes de conexión rápida se pueden comprar en un comercio minorista o en un centro de mantenimiento autorizado.

## DESCONEXIÓN DE LAS MANGUERAS

**▲ADVERTENCIA:** *Riesgo de operación insegura. Sostenga la manguera firmemente con las manos al instalarla o desconectarla para evitar la desconexión repentina de la manguera.*

1. Asegúrese de que el manómetro regulado marque 0 kPa (0 PSI).
2. Retire la manguera de la(s) salida de aire (G).

## Lubricación y aceite

### MOTOR

1. El motor se llenó **CON** aceite en la fábrica. Controle el nivel de aceite del motor antes de operar la unidad. De ser necesario, llene el motor hasta el nivel adecuado con el aceite recomendado, consulte el procedimiento correcto en el manual de instrucciones del motor provisto por el fabricante.
2. Agregue combustible al motor. Consulte el procedimiento correcto en el manual de instrucciones del motor provisto por el fabricante.

**▲ADVERTENCIA:** *Riesgo de explosión o incendio. El vapor de la gasolina es altamente inflamable. Cargue el combustible preferentemente en el exterior o solamente en áreas bien ventiladas. No cargue combustible ni controle el nivel de gasolina mientras el motor esté funcionando. No almacene, derrame ni use gasolina cerca de llamas, donde se generen chispas (como en soldaduras) o cerca de equipos eléctricos en funcionamiento.*

### COMPRESOR DE AIRE

La bomba del compresor de aire se llenó **CON** aceite en la fábrica. Controle el nivel de aceite de la bomba del compresor de aire antes de operar la unidad. Consulte **Aceite de la bomba del compresor** en la sección *Mantenimiento*.

## Compatibilidad

Las herramientas neumáticas y los accesorios que funcionan con el compresor deben ser compatibles con productos a base de petróleo. Si sospecha que un material no es compatible con productos del petróleo se requiere un filtro de línea de aire que elimine la humedad y el vapor de aceite en el aire comprimido.

**NOTA:** Utilice siempre un filtro de línea de aire para eliminar la humedad y el vapor de aceite al pulverizar pintura.

## Lugar

**▲ADVERTENCIA:** *Riesgo respiratorio. El escape del motor de gasolina contiene monóxido de carbono, un gas inodoro, tóxico y fatal. Opere el motor solamente en áreas bien ventiladas.*

**▲PRECAUCIÓN:** *Riesgo de daño a la propiedad. Para evitar daños en el compresor de aire, no permita que la unidad se incline más de 10° cuando esté en funcionamiento.*

Coloque el compresor de aire a una distancia de al menos 1,2 m (4 pies) de los obstáculos que puedan impedir una ventilación adecuada. Mantenga la unidad alejada de áreas que tengan suciedad, vapor y humo volátil en la atmósfera y que puedan atascar y retener el filtro de entrada y las válvulas, provocando un funcionamiento ineficiente.

## ÁREAS HÚMEDAS

En áreas frecuentemente húmedas, se puede formar humedad en la bomba y sedimentos en el aceite, provocando que las piezas se desgasten en forma prematura. Es muy probable que se produzca humedad excesiva si la unidad se ubica en un área sin calefacción, sujeta a grandes cambios de temperatura. Dos signos de humedad excesiva son la condensación externa en la bomba cuando se enfría y un aspecto "lechoso" del aceite del compresor. Puede prevenir la formación de humedad en la bomba aumentando la ventilación u operando la unidad durante intervalos más largos.



## CONSIDERACIONES SOBRE EL RUIDO

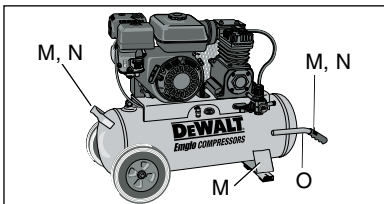
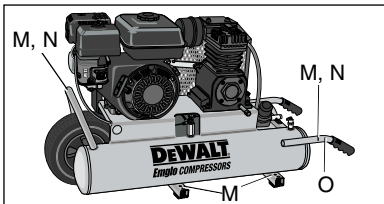
Consulte a las autoridades locales sobre los niveles de ruido aceptables en su zona. Para disminuir el ruido excesivo, utilice soportes antivibratorios o silenciadores, reubique la unidad o construya cerramientos completos o tabiques divisorios. Póngase en contacto con un centro de mantenimiento DEWALT o llame al 1-800-4-DEWALT para obtener ayuda.

## TRANSPORTE

**▲ADVERTENCIA:** *Riesgo de lesión por levantar mucho peso. La unidad pesa más de 72,5 kg (160 libras). No la mueva ni levante sin ayuda.*

**▲PRECAUCIÓN:** *Riesgo de daño a la propiedad. Las ruedas y la agarradera no brindan espacio, estabilidad ni apoyo adecuados para subir o bajar la unidad por escaleras o escalones. La unidad se debe levantar, o empujar, sobre una rampa.*

Al transportar el compresor en un vehículo, remolque, etc., asegúrese de que el tanque de aire se haya drenado y que la unidad esté asegurada y colocada sobre una superficie plana y horizontal. **NOTA:** Utilice los anclajes recomendados (M) al transportar la unidad. Maneje con cuidado para evitar que la unidad se incline en el vehículo. La unidad o los elementos circundantes se pueden dañar si la unidad se inclina. Utilice una rampa para cargar o descargar la unidad desde una altura superior a 304,8 mm (12 pulg.).



## LEVANTAR LA UNIDAD

Utilice siempre dos personas cuando levante la unidad y levántela desde los puntos recomendados (N).

**▲ADVERTENCIA:** *Riesgo de lesión por levantar mucho peso. La unidad pesa más de 72,5 kg (160 libras). No la mueva ni levante sin ayuda.*

## TRASLADAR LA UNIDAD

1. Tome la agarradera (O) del compresor y levántelo lo suficiente para que la unidad se pueda arrastrar sobre los neumáticos frontales.

**▲ADVERTENCIA:** *Riesgo de operación insegura. Asegure el punto de apoyo adecuado y tenga precaución al desplazar el compresor de manera que la unidad no se incline ni pierda el equilibrio.*

2. Cuando llegue al lugar deseado, baje lentamente la parte posterior del compresor hacia el piso. Conserve siempre el compresor en posición horizontal.

**NOTA:** Si la unidad se inclina, se producirá un arranque con dificultad y humo debido al derrame de aceite.

## PREPARACIÓN PARA EL USO

### Lista de control previa a la puesta en marcha (Fig. 1)

1. Asegúrese de que el interruptor de ENCENDIDO/APAGADO (C) esté en la posición de APAGADO.
2. Asegúrese de que el tanque de aire se haya drenado, consulte **Drenar el tanque de aire en la sección Mantenimiento.**
3. Asegúrese de que la válvula de drenaje (J) esté cerrada.
4. Asegúrese de que la válvula de seguridad (I) funcione correctamente, consulte **Controlar la válvula de seguridad en la sección Mantenimiento.**

5. Controle el nivel de aceite de la bomba, consulte **Aceite de la bomba del compresor** en la sección *Mantenimiento*.

**▲PRECAUCIÓN:** No opere la unidad sin aceite o con aceite inadecuado. DEWALT no se responsabiliza por las fallas del compresor provocadas por el uso de aceite inadecuado.

6. Controle el nivel de combustible y aceite del motor, consulte los procedimientos correctos en el manual de instrucciones del motor.

7. Inspeccione visualmente la correa impulsora. Reemplace la correa si está deshilachada, rajada o gastada. **NOTA:** Se debe retirar la cubierta exterior de la correa para inspeccionar la correa impulsora.

8. Asegúrese de que todos los protectores, cubiertas y etiquetas estén en su lugar, sean legibles (en el caso de las etiquetas) y estén montados en forma segura. No utilice el compresor hasta que no haya verificado todos los puntos.

## **Configuración inicial (Fig. 1)**

**▲ADVERTENCIA:** No opere esta unidad hasta que haya leído y comprendido este manual de instrucciones y el del motor y las instrucciones de seguridad, operación y mantenimiento.

### **PROCEDIMIENTO DE PUESTA EN MARCHA INICIAL**

**▲ADVERTENCIA:** Riesgo de daño a la propiedad. No seguir cuidadosamente las siguientes instrucciones de puesta en marcha inicial puede provocar daños graves.

**Se requiere este procedimiento:**

- Antes de utilizar el compresor de aire por primera vez.
- Cuando se ha reemplazado la válvula de descarga.
- Cuando se ha reemplazado la bomba del compresor.

### **El procedimiento:**

1. Siga la **Lista de control previa a la puesta en marcha** de la sección *Preparación para el uso*.
2. Gire la palanca de descarga de bloqueo manual a la **posición** de abierta para evitar la acumulación de presión en el tanque de aire.
3. Abra el regulador de presión. Tire la perilla del regulador (F) hacia afuera y gírela en sentido de las agujas del reloj hasta que se detenga.

**▲ADVERTENCIA:** No opere esta unidad hasta que haya leído y comprendido el manual de instrucciones de seguridad, operación y mantenimiento del motor.

4. Prepare el motor para utilizarlo por primera vez, consulte el procedimiento correcto en el manual de instrucciones del motor.
5. Ponga el interruptor de ENCENDIDO/APAGADO (C) del motor en la posición de ENCENDIDO.
6. Encienda el motor, consulte el procedimiento correcto en el manual de instrucciones del motor.
7. Haga funcionar el compresor de aire durante **30 minutos** para asentar los anillos y lubricar todas las superficies internas. Asegúrese de que no haya acumulación de presión en el tanque de aire tomando la lectura del manómetro.
8. Gire el bloqueo manual de la válvula de descarga hacia la posición de **cerrado** para que se acumule presión en el tanque de aire.
9. Cierre el regulador de presión. Gire la perilla del regulador (F) en sentido contrario a las agujas del reloj hasta su tope incorporado y empuje la perilla hacia adentro para bloquearla. Esto permitirá que el aire haga presión en el tanque de aire.
10. Habrá aire comprimido disponible en la salida de aire de la manguera hasta que se utilice o descargue.

## PROCEDIMIENTOS OPERATIVOS

### Puesta en marcha (Fig. 1)

1. Siga la **Lista de control previa a la puesta en marcha** de la sección *Preparación para el uso*.
2. Tire la perilla del regulador (F) hacia afuera y gírela en sentido contrario a las agujas del reloj hasta que se cierre completamente. Empújela hacia adentro para bloquearla. El manómetro regulado debe marcar 0 kPa (0 psi).
3. Gire la palanca de descarga de bloqueo manual a la posición **de abierta** para ayudar a la puesta en marcha.
4. Ponga el interruptor de ENCENDIDO/APAGADO (C) del motor en la posición de ENCENDIDO.
5. Encienda el motor, consulte el procedimiento correcto en el manual de instrucciones del motor.
6. Gire la palanca de descarga de bloqueo manual a la posición **de cerrada** para permitir que se acumule presión en el tanque de aire. **NOTA:** La bomba no funcionará con la palanca de descarga de bloqueo manual en la **posición** de abierta.
7. Permita que el compresor bombee para **descargar** la presión.

**NOTA:** Si observa algún ruido o vibración inusuales, apague el compresor y consulte la sección de detección de problemas.

**NOTA:** La bomba del compresor de aire puede funcionar en forma continua. Para prolongar la vida útil del compresor de aire, se recomienda operar la unidad a alta velocidad entre el 50 y el 75% del tiempo de funcionamiento, y operarla en marcha en espera el 25% del tiempo de funcionamiento.

8. Conecte la manguera y los accesorios.

**▲PRECAUCIÓN:** *Riesgo de operación insegura. El aire comprimido de la unidad puede contener condensación de agua y emanación de aceite. No pulverice aire no filtrado sobre un artículo que podría dañarse con la humedad. Algunos dispositivos o herramientas*

*neumáticas pueden requerir aire filtrado. Lea las instrucciones del dispositivo o la herramienta neumática.*

9. Ajuste el regulador (F) en la configuración deseada. Consulte el punto **Regulador** en la sección *Características*.

### Apagado

1. Apague el motor, consulte el procedimiento correcto en el manual de instrucciones del motor.

**NOTA:** Si terminó de utilizar el compresor, siga los pasos 2 a 6.

2. Gire la perilla del regulador (F) en sentido contrario a las agujas del reloj hasta que esté completamente cerrada. Asegúrese de que el manómetro regulado marque 0 kPa (0 PSI).
3. Retire la manguera y los accesorios.
4. Drene el tanque de aire. Consulte **Drenar el tanque de aire** en la sección *Mantenimiento*

**▲ADVERTENCIA:** *Riesgo de explosión. Drene el tanque de aire diariamente. El agua se condensará en el tanque de aire. Si no se drena, el agua corroerá y debilitará el tanque de aire provocando el riesgo de rotura del mismo.*

5. Deje enfriar el compresor.
6. Limpie el compresor de aire y guárdelo en un área segura, que no se congele.

### MANTENIMIENTO

Se deben seguir los siguientes procedimientos cuando se realicen tareas de mantenimiento o servicio en el compresor de aire.

1. Asegúrese de que el interruptor de ENCENDIDO/APAGADO (C) esté en la posición de APAGADO.
2. Desconecte el cable de la bujía.
3. Drene el tanque de aire.
4. Deje enfriar el compresor de aire antes de comenzar las tareas de mantenimiento

**NOTA:** Todos los sistemas de aire comprimido contienen piezas de mantenimiento (por ejemplo, aceite, filtros, separadores) que se reemplazan periódicamente. Estas piezas usadas pueden contener sustancias reguladas y se deben desechar conforme a las leyes y reglamentaciones locales, estatales y federales.

**NOTA:** Tome nota de las posiciones y ubicaciones de las piezas durante el desarmado para facilitar el reensamblaje.

**NOTA:** Cualquier tarea de mantenimiento no incluida en esta sección debe ser realizada por un centro de servicio de fábrica DEWALT o un centro de servicio autorizado DEWALT.

### Tabla de mantenimiento

Procedimiento	Diariamente	Semanalmente	Mensualmente	1 vez al año o cada 200 horas
Controlar la válvula de seguridad	X			
Inspeccionar el filtro de aire +		X		
Drenar el tanque de aire	X			
Controlar el nivel de aceite de la bomba	X			
Cambiar el aceite de la bomba***				X
Inspeccionar si hay pérdidas de aceite	X			
Inspeccionar la correa impulsora	X			

Controlar la tensión de la correa impulsora			X	
Controlar la alineación de la polea y el volante				X
Controlar ruidos o vibraciones inusuales	X			
Verificar si hay pérdidas de aire*	X			
Limpiar el exterior del compresor		X		
Motor	Consultar el manual de instrucciones del motor.			
* Para verificar si hay pérdidas de aire aplique una solución de agua jabonosa alrededor de las juntas. Mientras el compresor bombea para generar presión y luego de que la presión se corte, vea si se forman burbujas de aire.				
** El aceite de la bomba se debe cambiar luego de las primeras 20 horas de funcionamiento. De allí en adelante, cuando utilice el aceite sintético DEWALT para compresores, cambie el aceite cada 200 horas de funcionamiento o una vez al año, lo que ocurra primero.				
+ más frecuente en lugares con humedad o polvo				

### Controlar la válvula de seguridad (Fig. 1)

**▲ADVERTENCIA:** Superficies calientes. Riesgo de quemaduras. El posenfriador, el cabezal de la bomba y las piezas circundantes están muy calientes, no los toque (vea las Superficies calientes identificadas en la Fig. 2). Espere hasta que el compresor se enfríe antes de realizar el mantenimiento.

**▲ADVERTENCIA:** Riesgo de explosión. Si la válvula de seguridad no trabaja correctamente, puede haber sobrepresurización, provocando la rotura del tanque de aire o una explosión.

Antes de arrancar el compresor, tire del anillo de la válvula de seguridad para asegurarse de que la válvula de seguridad trabaja libremente. Si la válvula está atascada o no opera con facilidad, se la debe reemplazar con el mismo tipo de válvula.

### **Controlar el elemento del filtro de aire**

**▲ADVERTENCIA:** Superficies calientes. Riesgo de quemaduras. El posenfriador, el cabezal de la bomba y las piezas circundantes están muy calientes, no los toque (vea las Superficies calientes identificadas en la Fig. 2). Espere hasta que el compresor se enfríe antes de realizar el mantenimiento.

1. Asegúrese de que el interruptor de ENCENDIDO/APAGADO (C) esté en la posición de APAGADO.
2. Espere que la unidad se enfríe.
3. Desenrosque la parte superior del filtro (A) de la base girando aproximadamente 5 grados en sentido contrario a las agujas del reloj.
4. Separe la parte superior del filtro de la base.
5. Retire el elemento de la base del filtro.
6. Si el elemento requiere limpieza, sople con aire. Reemplácelo si es necesario. Compre las piezas de repuesto en un comercio minorista o en un centro de mantenimiento autorizado. Utilice siempre piezas de repuesto idénticas.
7. Coloque el elemento nuevamente en la base del filtro.
8. Vuelva a conectar la parte superior del filtro a la base. Mientras empuja, gire 5 grados en sentido de las agujas del reloj.

**▲PRECAUCIÓN:** Riesgo de operación insegura. No opere la unidad sin el filtro de entrada de aire.

### **Drenar el tanque de aire (Fig. 1)**

**▲ADVERTENCIA:** Riesgo de operación insegura. Riesgo por ruidos. Los tanques de aire contienen aire de alta presión. Mantenga la cara y otras partes del cuerpo lejos de la salida del drenaje. Utilice lentes de seguridad, ya que al drenar se pueden desprender residuos hacia la cara. Utilice protección auditiva (ANSI S12.6 (S3.19), ya que el ruido del flujo de aire es alto durante el drenaje.

**NOTA:** Todos los sistemas de aire comprimido generan condensación que se acumula en cualquier punto de drenaje (por ejemplo, tanques, filtro, posenfriadores, secadores). Esta condensación contiene aceite lubricante y/o sustancias que pueden estar reguladas y que se deben desechar conforme a las leyes y reglamentaciones locales, estatales y federales.

1. Asegúrese de que el interruptor de ENCENDIDO/APAGADO (C) esté en la posición de APAGADO.
2. Coloque un recipiente adecuado debajo de la válvula de drenaje para recoger la descarga.
3. Tome la palanca negra de la válvula de drenaje.
4. Gire lentamente la palanca para descargar aire del tanque de aire en forma gradual.
5. Cuando el manómetro del tanque de aire marque 68,9 kPa (10 PSI), gire la válvula hasta la posición de completamente abierta.
6. Cierre la válvula de drenaje cuando termine.

## Aceite de la bomba del compresor

### CONTROLAR EL ACEITE

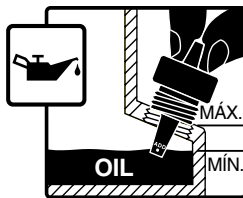
**▲ADVERTENCIA:** Superficies calientes. Riesgo de quemaduras. El posenfriador, el cabezal de la bomba y las piezas circundantes están muy calientes, no los toque (vea las Superficies calientes identificadas en la Fig. 2). Espere hasta que el compresor se enfríe antes de realizar el mantenimiento.

**▲PRECAUCIÓN:** Riesgo de operación insegura. Cargar aceite en forma excesiva provocará la falla prematura del compresor. No llene de más.

**NOTA:** Al llenar la carcasa, el aceite fluye muy lentamente hacia la bomba. Si el aceite se agrega demasiado rápido, se rebalsará y parecerá que está llena.

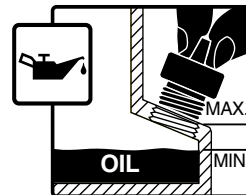
1. Asegúrese de que el interruptor de ENCENDIDO/APAGADO (C) esté en la posición de APAGADO.
2. Coloque la unidad en una superficie plana y nivelada.
3. **PARA UNIDADES CON BOMBA K**

- Retire la varilla para medición del nivel de aceite (L) y límpiela.
- Inserte y retire la varilla de medición del nivel de aceite sin enroscarla en la carcasa como se muestra en la figura.
- Controle el nivel de aceite en la varilla de medición del nivel de aceite. Si el nivel de aceite está en, o por debajo de, la marca "Agregar", se debe agregar aceite. Agregue aceite sintético DEWALT hasta el nivel máximo correspondiente como se muestra en la figura.



### PARA UNIDADES CON BOMBA G

- Retire el tapón de llenado de aceite (K).
  - Verifique el nivel de aceite. El aceite no debe exceder la línea superior en relieve que se encuentra al costado de la caja del motor. (El aceite estará entre el fondo de la caja del motor y la rosca del orificio de llenado), si es necesario, agregue aceite sintético DEWALT hasta el nivel correspondiente.
4. Reemplace la varilla/tapón de llenado de aceite y asegure bien.



### CAMBIO DE ACEITE

**NOTA:** El aceite de la bomba contiene sustancias reguladas y se debe desechar conforme a las leyes y reglamentaciones locales, estatales y federales.

**▲ADVERTENCIA:** Superficies calientes. Riesgo de quemaduras. El posenfriador, el cabezal de la bomba y las piezas circundantes están muy calientes, no los toque (vea las Superficies calientes identificadas en la Fig. 2). Espere hasta que el compresor se enfríe antes de realizar el mantenimiento.

1. Asegúrese de que el interruptor de ENCENDIDO/APAGADO (C) esté en la posición de APAGADO.
2. Espere que la unidad se enfríe.
3. Desconecte el cable de la bujía.
4. Drene el tanque de aire.
5. Coloque un recipiente adecuado debajo del tapón de drenaje de la bomba (J).
6. Retire la varilla/tapón de llenado de aceite (K) de la caja del motor.
7. Retire el tapón de drenaje de aceite (L).

8. Permita que transcurra un tiempo prolongado para que se drene todo el aceite. (Inclinar el compresor hacia el tapón de drenaje ayudará al drenaje).
9. Instale el tapón de drenaje de aceite.
10. Llene la bomba con aceite sintético DEWALT para compresores.  
**PARA LAS UNIDADES CON BOMBA K**  
El nivel de aceite debe estar en "Agregar" en la varilla.  
**PARA LAS UNIDADES CON BOMBA G**  
El aceite no debe exceder la línea superior en relieve que se encuentra al costado de la caja del motor. (El aceite estará entre el fondo de la caja del motor y la rosca del orificio de llenado).
11. Reemplace la varilla/tapón de llenado de aceite y asegure bien.
12. Vuelva a conectar el cable de la bujía.

### **Controlar la tensión de la correa (Fig. 1)**

**▲ADVERTENCIA:** Superficies calientes. Riesgo de quemaduras. El posenfriador, el cabezal de la bomba y las piezas circundantes están muy calientes, no los toque (vea las Superficies calientes identificadas en la Fig. 2). Espere hasta que el compresor se enfríe antes de realizar el mantenimiento.

1. Asegúrese de que el interruptor de ENCENDIDO/APAGADO (C) esté en la posición de APAGADO.
2. Espere que la unidad se enfríe.
3. Desconecte el cable de la bujía.
4. Drene el tanque de aire.
5. **PARA LAS UNIDADES CON BOMBA K**  
Retire seis tornillos de montaje del guardacorrea (dos en la cabeza de la bomba y cuatro en la cubierta).

### **PARA LAS UNIDADES CON BOMBA G**

- Retire siete tornillos de montaje del guardacorrea y el gancho J (dos en la cabeza de la bomba y cuatro en la cubierta).
6. Retire la cubierta exterior de la correa.
  7. Mida la tensión de la correa. La tensión correcta se logra cuando se aplica un peso de 1,36 kg (3 libras) o una presión equivalente con los dedos a mitad de camino entre la polea del motor y el volante del compresor y provoca una desviación de la correa de 6,35 mm (1/4 pulg.); si se requieren ajustes, consulte **Ajustar la tensión de la correa** en la sección *Mantenimiento*.
  8. Vuelva a colocar el guardacorrea.
  9. Vuelva a conectar el cable de la bujía.

### **Ajustar la tensión de la correa**

**▲ADVERTENCIA:** Superficies calientes. Riesgo de quemaduras. El posenfriador, el cabezal de la bomba y las piezas circundantes están muy calientes, no los toque (vea las Superficies calientes identificadas en la Fig. 2). Espere hasta que el compresor se enfríe antes de realizar el mantenimiento.

1. Siga los pasos 1 a 6 en **Controlar la tensión de la correa** en la sección *Mantenimiento*.
2. Haga una marca en la base de la bomba sobre la cubierta para usar como referencia.
3. Afloje cuatro tuercas de montaje de la bomba.
4. **PARA LAS UNIDADES CON BOMBA K SOLAMENTE**  
Afloje pero no retire el perno de soporte de la barra tensora de la bomba.
5. Retire la correa.
6. Haga una marca a aproximadamente a 3,17 mm (1/8") de la marca original.
7. Deslice la bomba a la marca nueva y vuelva a ajustar las tuercas de montaje de la bomba.

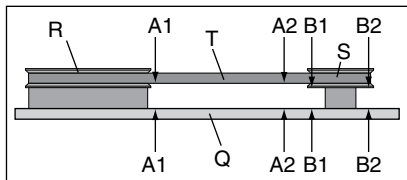
**▲ADVERTENCIA:** Riesgo por piezas móviles. Sea precavido cuando haga avanzar la correa sobre el volante, ya que los dedos podrían quedar atrapados entre ambas partes.

- Una vez asegurada la bomba, haga avanzar la correa sobre el volante y la polea.
- Controle nuevamente la tensión de la correa. Vea el paso 7 de **Controlar la tensión de la correa** en la sección **Mantenimiento**.
- Cuando la tensión es correcta, ajuste las cuatro tuercas de montaje de la bomba (aplique torsión de 8,1 a 10,8 Nm/6 a 8 libras-pie), el perno de soporte de la barra tensora (aplique torsión de 13,5 a 16,3 Nm/10 a 12 libras-pie) y reemplace la cubierta de la correa.
- Vuelva a conectar el cable de la bujía.

## **Alineación de la correa y el volante**

El volante del compresor de aire y la polea del motor deben estar alineados (en el mismo plano) dentro de una distancia de 1,6 mm (1/16") para asegurar la retención de la correa dentro de las ranuras del volante. Para controlar la alineación:

- Asegúrese de que el interruptor de ENCENDIDO/APAGADO (C) esté en la posición de APAGADO.
- Espere que la unidad se enfríe.
- Desconecte el cable de la bujía.
- Drene el tanque de aire.
- Retire la cubierta exterior de la correa.
- Coloque una regla (Q) contra el exterior del volante (R) y la polea del motor (S).



- Mida la distancia entre el borde de la correa (T) y la regla en los puntos A1 y A2 de la Figura. La diferencia entre las medidas no debe ser mayor a 1,6 mm (1/16").
- Si la diferencia es mayor a 1,6 mm (1/16"), afloje el tornillo que fija la polea del motor al eje y ajuste la posición de la polea en el eje hasta que las medidas A1 y A2 estén a una distancia de 1,6 mm (1/16") una de la otra.
- Ajuste el tornillo de la polea del motor entre 16.4–18.6 Nm (145 y 165 libras-pulgadas).
- Inspeccione visualmente la polea del motor para verificar que esté perpendicular al eje del motor. Los puntos B1 y B2 de la Figura deben parecer iguales. De no ser así, afloje el tornillo de la polea del motor y equalice los puntos B1 y B2, tomando la precaución de no afectar la alineación de la correa realizada en el paso 8.
- Vuelva a ajustar el tornillo de la polea del motor entre 16.4–18.6 Nm (145 y 165 libras-pulgadas).
- Vuelva a instalar la cubierta de la correa.
- Vuelva a conectar el cable de la bujía.

## **ACCESORIOS**

Los accesorios que se recomiendan para la herramienta están disponibles para la compra en su distribuidor local o en el centro de mantenimiento autorizado. Si necesita ayuda para localizar algún accesorio para su herramienta, comuníquese con DEWALT Industrial Tool Co., 701 East Joppa Road, Baltimore, MD 21286, llame al 1-800-4-DEWALT (1-800-433-9258) o visite nuestro sitio Web [www.dewalt.com](http://www.dewalt.com).

**▲PRECAUCIÓN:** El uso de accesorios no recomendados para utilizar con esta herramienta puede resultar peligroso. Use solamente accesorios con una capacidad nominal igual o superior a la de la compresor de aire.



## INFORMACIÓN DEL SERVICIO TÉCNICO

Tenga a mano la siguiente información cuando llame al mantenimiento:

Número del modelo \_\_\_\_\_ Número de serie \_\_\_\_\_

Fecha y lugar de compra \_\_\_\_\_

## Reparaciones

Para asegurar la SEGURIDAD y la CONFIABILIDAD del producto, las reparaciones, el mantenimiento y los ajustes deben ser realizados por un centro de servicio de fábrica DeWalt, un centro de servicio autorizado DeWalt u otro personal de mantenimiento calificado. Utilice siempre piezas de repuesto idénticas.

## Garantía completa de un año

Las herramientas industriales DEWALT PARA TRABAJO PESADO TIENEN GARANTÍA DE UN AÑO A PARTIR DE LA FECHA DE COMPRA. Repararemos, sin cargo, cualquier defecto debido a fallas en los materiales o la mano de obra. Para obtener información sobre las reparaciones cubiertas por la garantía, llame al 1-800-4-DEWALT. Esta garantía no se extiende a los accesorios o a los daños causados por terceros al intentar realizar reparaciones. Esta garantía le concede derechos legales específicos; usted goza también de otros derechos que varían según el estado o provincia.

**AMÉRICA LATINA:** Esta garantía no se aplica a los productos que se venden en América Latina. Para los productos que se venden en América Latina, debe consultar la información de la garantía específica del país que viene en el empaque, llamar a la compañía local o visitar el sitio Web a fin de obtener esa información.

**REEMPLAZO GRATUITO DE LAS ETIQUETAS DE ADVERTENCIA:** Si sus etiquetas de advertencia se tornan ilegibles o faltan, llame al 1-800-4-DEWALT para que se le reemplacen gratuitamente.

▲ WARNING	▲ ADVERTENCIA	▲ AVERTISSEMENT
<p><b>1. TOXICITY OF THE MIXTURE:</b> This product contains chemicals known to the State of California to cause cancer, birth defects or other reproductive harm.</p> <p><b>2. FLAMMABLE:</b> This product is highly flammable. It may ignite or burn. Avoid contact with skin, eyes, clothing, or other combustible materials. Avoid sparks and other heat sources. Immediately stop work or evacuation in case of fire. Do not use near open flames, pilot lights, or other ignition sources. Do not use in confined spaces. Do not use in the presence of oxygen gas cylinders. Do not use in the presence of oxygen gas cylinders. Do not use in the presence of oxygen gas cylinders.</p> <p><b>3. IRRITANT:</b> This product may irritate the skin, eyes, or respiratory system. Avoid contact with skin, eyes, or clothing. Avoid breathing dust or vapors. Use in well-ventilated areas. Wear eye protection. Wear gloves. Wash hands thoroughly after use.</p> <p><b>4. CORROSIVE:</b> This product may be corrosive to metal. Avoid contact with metal surfaces. Do not use on metal surfaces.</p> <p><b>5. ENVIRONMENTAL:</b> Do not discharge into waterways or onto land. Do not use in areas where it may cause environmental damage.</p> <p><b>6. OTHER HAZARDOUS INFORMATION:</b> See the Safety Data Sheet (SDS) for additional information.</p>	<p><b>1. TOXICIDAD DE LA MEZCLA:</b> Este producto contiene sustancias químicas que se sabe que causan cáncer, defectos de nacimiento u otros daños al sistema reproductivo.</p> <p><b>2. INFLAMABLE:</b> Este producto es altamente inflamable. Puede encenderse o arder. Evite el contacto con la piel, los ojos, la ropa u otros materiales inflamables. Evite las chispas y otras fuentes de calor. Detenga inmediatamente el trabajo o la evacuación en caso de incendio. No use cerca de flamas abiertas, velas piloto u otras fuentes de ignición. No use en espacios confinados. No use en presencia de cilindros de oxígeno. No use en presencia de cilindros de oxígeno. No use en presencia de cilindros de oxígeno.</p> <p><b>3. IRRITANTE:</b> Este producto puede irritar la piel, los ojos o el sistema respiratorio. Evite el contacto con la piel, los ojos o la ropa. Evite respirar polvo o vapores. Use en áreas bien ventiladas. Use protección ocular. Use guantes. Lávese las manos minuciosamente después de usarlo.</p> <p><b>4. CORROSIVO:</b> Este producto puede ser corrosivo para el metal. Evite el contacto con superficies metálicas. No use en superficies metálicas.</p> <p><b>5. AMBIENTAL:</b> No descargue en cursos de agua o en tierra. No use en áreas donde pueda causar daño ambiental.</p> <p><b>6. OTRA INFORMACIÓN PELIGROSA:</b> Véase la Hoja de Datos de Seguridad (HDS) para obtener más información.</p>	<p><b>1. TOXICITÉ DE LA MÉLANGE:</b> Ce produit contient des produits chimiques connus pour provoquer le cancer, des malformations congénitales ou d'autres dommages au système reproductif.</p> <p><b>2. INFLAMMABLE:</b> Ce produit est hautement inflammable. Il peut s'enflammer ou brûler. Évitez le contact avec la peau, les yeux, les vêtements ou d'autres matériaux inflammables. Évitez les étincelles et d'autres sources de chaleur. Arrêtez immédiatement le travail ou l'évacuation en cas d'incendie. Ne pas utiliser près de flammes nues, de bougies à gaz ou d'autres sources d'allumage. Ne pas utiliser dans des espaces confinés. Ne pas utiliser en présence de cylindres d'oxygène. Ne pas utiliser en présence de cylindres d'oxygène. Ne pas utiliser en présence de cylindres d'oxygène.</p> <p><b>3. IRRITANT:</b> Ce produit peut irriter la peau, les yeux ou le système respiratoire. Évitez le contact avec la peau, les yeux ou les vêtements. Évitez d'inhaler la poussière ou les vapeurs. Utilisez dans des zones bien ventilées. Utilisez une protection oculaire. Utilisez des gants. Lavez-vous soigneusement les mains après utilisation.</p> <p><b>4. CORROSIF:</b> Ce produit peut être corrosif pour le métal. Évitez le contact avec les surfaces métalliques. Ne pas utiliser sur des surfaces métalliques.</p> <p><b>5. ENVIRONNEMENTAL:</b> Ne pas verser dans les cours d'eau ou sur la terre. Ne pas utiliser dans des zones où il pourrait causer des dommages environnementaux.</p> <p><b>6. AUTRES RENSEIGNEMENTS DANGEREUX:</b> Voir la Fiche de Données de Sécurité (FDS) pour plus d'informations.</p>

▲ WARNING	▲ ADVERTENCIA	▲ AVERTISSEMENT
<p><b>1. TOXICITY OF THE MIXTURE:</b> This product contains chemicals known to the State of California to cause cancer, birth defects or other reproductive harm.</p> <p><b>2. FLAMMABLE:</b> This product is highly flammable. It may ignite or burn. Avoid contact with skin, eyes, clothing, or other combustible materials. Avoid sparks and other heat sources. Immediately stop work or evacuation in case of fire. Do not use near open flames, pilot lights, or other ignition sources. Do not use in confined spaces. Do not use in the presence of oxygen gas cylinders. Do not use in the presence of oxygen gas cylinders. Do not use in the presence of oxygen gas cylinders.</p> <p><b>3. IRRITANT:</b> This product may irritate the skin, eyes, or respiratory system. Avoid contact with skin, eyes, or clothing. Avoid breathing dust or vapors. Use in well-ventilated areas. Wear eye protection. Wear gloves. Wash hands thoroughly after use.</p> <p><b>4. CORROSIVE:</b> This product may be corrosive to metal. Avoid contact with metal surfaces. Do not use on metal surfaces.</p> <p><b>5. ENVIRONMENTAL:</b> Do not discharge into waterways or onto land. Do not use in areas where it may cause environmental damage.</p> <p><b>6. OTHER HAZARDOUS INFORMATION:</b> See the Safety Data Sheet (SDS) for additional information.</p>	<p><b>1. TOXICIDAD DE LA MEZCLA:</b> Este producto contiene sustancias químicas que se sabe que causan cáncer, defectos de nacimiento u otros daños al sistema reproductivo.</p> <p><b>2. INFLAMABLE:</b> Este producto es altamente inflamable. Puede encenderse o arder. Evite el contacto con la piel, los ojos, la ropa u otros materiales inflamables. Evite las chispas y otras fuentes de calor. Detenga inmediatamente el trabajo o la evacuación en caso de incendio. No use cerca de flamas abiertas, velas piloto u otras fuentes de ignición. No use en espacios confinados. No use en presencia de cilindros de oxígeno. No use en presencia de cilindros de oxígeno. No use en presencia de cilindros de oxígeno.</p> <p><b>3. IRRITANTE:</b> Este producto puede irritar la piel, los ojos o el sistema respiratorio. Evite el contacto con la piel, los ojos o la ropa. Evite respirar polvo o vapores. Use en áreas bien ventiladas. Use protección ocular. Use guantes. Lávese las manos minuciosamente después de usarlo.</p> <p><b>4. CORROSIVO:</b> Este producto puede ser corrosivo para el metal. Evite el contacto con superficies metálicas. No use en superficies metálicas.</p> <p><b>5. AMBIENTAL:</b> No descargue en cursos de agua o en tierra. No use en áreas donde pueda causar daño ambiental.</p> <p><b>6. OTRA INFORMACIÓN PELIGROSA:</b> Véase la Hoja de Datos de Seguridad (HDS) para obtener más información.</p>	<p><b>1. TOXICITÉ DE LA MÉLANGE:</b> Ce produit contient des produits chimiques connus pour provoquer le cancer, des malformations congénitales ou d'autres dommages au système reproductif.</p> <p><b>2. INFLAMMABLE:</b> Ce produit est hautement inflammable. Il peut s'enflammer ou brûler. Évitez le contact avec la peau, les yeux, les vêtements ou d'autres matériaux inflammables. Évitez les étincelles et d'autres sources de chaleur. Arrêtez immédiatement le travail ou l'évacuation en cas d'incendie. Ne pas utiliser près de flammes nues, de bougies à gaz ou d'autres sources d'allumage. Ne pas utiliser dans des espaces confinés. Ne pas utiliser en présence de cylindres d'oxygène. Ne pas utiliser en présence de cylindres d'oxygène. Ne pas utiliser en présence de cylindres d'oxygène.</p> <p><b>3. IRRITANT:</b> Ce produit peut irriter la peau, les yeux ou le système respiratoire. Évitez le contact avec la peau, les yeux ou les vêtements. Évitez d'inhaler la poussière ou les vapeurs. Utilisez dans des zones bien ventilées. Utilisez une protection oculaire. Utilisez des gants. Lavez-vous soigneusement les mains après utilisation.</p> <p><b>4. CORROSIF:</b> Ce produit peut être corrosif pour le métal. Évitez le contact avec les surfaces métalliques. Ne pas utiliser sur des surfaces métalliques.</p> <p><b>5. ENVIRONNEMENTAL:</b> Ne pas verser dans les cours d'eau ou sur la terre. Ne pas utiliser dans des zones où il pourrait causer des dommages environnementaux.</p> <p><b>6. AUTRES RENSEIGNEMENTS DANGEREUX:</b> Voir la Fiche de Données de Sécurité (FDS) pour plus d'informations.</p>

▲ WARNING	HOT SURFACES
▲ ADVERTENCIA	SUPERFICIES CALIENTES
▲ AVERTISSEMENT	SURFACES CHAUDES

▲ WARNING	▲ ADVERTENCIA	▲ AVERTISSEMENT
<p><b>DRAIN TANK DAILY</b> DRY AFTER EACH USE AND RINSE. CONCENTRATION BUILT UP MAY CAUSE CORROSION INSIDE AND WEAR TO THE TANK BODY. USE MANUAL OR VACUUM PROCEDURES. DO NOT PUMP OPEN WITH SLIMBY AND DO NOT CONNECT TO ANY ACCESSORIES.</p>	<p><b>DRENE EL TANQUE A DIARIO</b> EL RESIDUO DE CERA ACUMULADA EN LA BOMBINA O LA CORONA PODRÍA CAUSAR CORROSIÓN DENTRO DEL TANQUE Y DESGASTE EN EL CUERPO DEL TANQUE. CONSULTE EL MANUAL PARA CONSIDERAR LOS PROCEDIMIENTOS DE LIMPIEZA. PARA DETENER EL TANQUE, ABRIR LA VÁLVULA DE DRENAJE Y CONECTAR EL ACCESORIO, USE EL PROCEDIMIENTO DE DRENAJE.</p>	<p><b>PURGER LE RÉSERVOIR QUOTIDIENNEMENT</b> LE TANGONNEAU DE CÉRA ACCUMULÉE À L'INTÉRIEUR DE LA BOMBINE OU DE LA CORONNE PEUT PROVOQUER LA CORROSION À L'INTÉRIEUR DU RÉSERVOIR ET L'USURE DE SON CORPS. CONSULTEZ LE MANUEL POUR CONSIDÉRER LES PROCÉDURES DE NETTOYAGE. POUR ARRÊTER LE RÉSERVOIR, OUVRIRE LA VANNE DE DRENAJE ET CONNECTER L'ACCESSOIRE, UTILISEZ LA PROCÉDURE DE DRENAJE.</p>

**PARA REPARACIÓN Y SERVICIO DE SUS HERRAMIENTAS  
ELÉCTRICAS, FAVOR DE DIRIGIRSE AL CENTRO DE SERVICIO  
MÁS CERCANO**

**CULIACAN, SIN**

Av. Nicolás Bravo #1063 Sur - Col. Industrial Bravo (667) 7 12 42 11

**GUADALAJARA, JAL**

Av. La Paz #1779 - Col. Americana Sector Juárez (33) 3825 6978

**MEXICO, D.F.**

Eje Central Lázaro Cárdenas No. 18

Local D, Col. Obrera (55) 5588 9377

**MERIDA, YUC**

Calle 63 #459-A - Col. Centro (999) 928 5038

**MONTERREY, N.L.**

Av. Francisco I. Madero No.831 - Col. Centro (81) 8375 2313

**PUEBLA, PUE**

17 Norte #205 - Col. Centro (222) 246 3714

**QUERETARO, QRO**

Av. Madero 139 Pte. - Col. Centro (442) 214 1660

**SAN LUIS POTOSI, SLP**

Av. Universidad 1525 - Col. San Luis (444) 814 2383

**TORREON, COAH**

Bldv. Independencia, 96 Pte. - Col. Centro (871) 716 5265

**VERACRUZ, VER**

Prolongación Díaz Mirón #4280 - Col. Remes (229) 921 7016

**VILLAHERMOSA, TAB**

Constitución 516-A - Col. Centro (993) 312 5111

PARA OTRAS LOCALIDADES LLAME AL: (55) 5326 7100

IMPORTADOR: DEWALT S.A. DE C.V.

BOSQUES DE CIDROS ACCESO RADIATAS NO. 42

COL. BOSQUES DE LAS LOMAS, 3A. SECCIÓN, CP 05120

DELEGACIÓN CUAJIMALPA, MÉXICO, D.F.

TEL. 5 326 7100

R.F.C.: BDE810626-1W7

Para servicio y ventas consulte "HERRAMIENTAS ELECTRICAS"  
en la sección amarilla.



## GLOSARIO

**CFM:** pies cúbicos por minuto.

**SCFM:** pies cúbicos estándar por minuto; unidad de medida de suministro de aire.

**PSI:** libras por pulgada cuadrada relativo a la presión atmosférica; unidad de medida de presión.

**kPa (kilopascal):** Medición métrica de la presión. 1 kilopascal es equivalente a 1000 pascales.

**Certificación de código:** los productos que tienen una o más de las indicaciones siguientes: UL, CUL, ETL, CETL, han sido evaluados por los laboratorios de seguridad independientes certificados de OSHA y cumplen los estándares de seguridad de Underwriters Laboratories cuya aplicación corresponda.

**Código de California:** la unidad puede cumplir con las secciones (I) (2)/(M) (2) del Código 462 de California. La etiqueta de especificaciones/modelo se encuentra en el costado del tanque de aire en las unidades que cumplen con el Código de California.

**Presión de alivio de descarga:** todos los modelos son unidades de funcionamiento continuo controladas por presión del tanque de aire. Cuando se obtenga la presión máxima del tanque de aire, la válvula de descarga se activará. Esto provocará que el compresor descargue el aire a la atmósfera y no al tanque. Esto disminuye la carga sobre el motor y permite que funcione prácticamente sin carga.

**Presión de reajuste de descarga:** cuando la presión del tanque de aire baja a un punto predeterminado, la válvula de descarga se cierra. La presión del tanque de aire se incrementará ahora hasta que alcance la presión de alivio de descarga.

## **Guía de detección de problemas**

Esta sección proporciona una lista de las fallas que se presentan con mayor frecuencia, sus causas y las medidas correctivas correspondientes. El operador o el personal de mantenimiento pueden llevar a cabo algunas de estas acciones correctivas, pero es posible que otras necesiten la asistencia de un técnico DEWALT calificado o de su distribuidor.

<b>Problema</b>	<b>Código</b>
Presión excesiva en el tanque de aire: la válvula de seguridad salta .....	1
Pérdidas de aire .....	2
Pérdida constante de aire en la válvula de descarga.....	3
Pérdidas de aire en el tanque de aire o en las soldaduras del tanque de aire .....	4
Pérdidas de aire entre el cabezal y la placa de la válvula .....	5
Pérdidas de aire de la válvula de seguridad .....	6
El compresor no suministra suficiente aire para operar los accesorios.....	2, 7,8,9,10,12,13
Entrada restringida de aire. ....	12
Vibración excesiva .....	14,15
Ruido de golpeteo .....	6,13,14,15,16,17,18,19
Desgaste excesivo de la correa.....	13,14,16,19,20
Sonidos agudos .....	13
El motor no funciona.....	21,22,23,34
La lectura de la presión en el manómetro regulado cae cuando se usa un accesorio.....	24
La perilla del regulador tiene una pérdida constante de aire .....	25
El regulador no cierra la salida de aire.....	25
<i>(Guía de detección de problemas continuar)</i>	
Humedad en la carcaza de la bomba.....	2,5,11,26,27,28,29,30,31
La bomba no funciona .....	32
No se acumula presión en el tanque de aire.....	32,33

## **Códigos de detección de problemas**

<b>CÓDIGO</b>	<b>CAUSA POSIBLE</b>	<b>SOLUCIÓN POSIBLE</b>
1	La válvula de descarga no libera presión cuando el tanque de aire alcanza la <b>presión</b> de alivio	Se debe reemplazar la válvula de descarga. Comuníquese con un centro de servicio de fábrica DEWALT o con un centro de servicio autorizado DEWALT.
2	Las conexiones no están ajustadas	Ajuste las conexiones en los lugares donde sienta escapes de aire. Controle las conexiones con una solución de agua jabonosa. <b>NO AJUSTE DEMASIADO.</b>
3	Válvula de descarga defectuosa	Apague el motor, gire la palanca de <b>descarga</b> de bloqueo manual a la posición perpendicular de cerrada. Si hay pérdida de aire del tanque de aire a través de la válvula de descarga, reemplácela.
4	Tanque de aire defectuoso.	Se debe reemplazar el tanque de aire. No repare la pérdida. <b>▲ADVERTENCIA:</b> <i>Riesgo de explosión. No perforo, suelde ni modifique el tanque de aire o el mismo se debilitará. El tanque de aire se puede romper o explotar.</i>
5	Sellos de pérdidas	Comuníquese con un centro de servicio de fábrica DEWALT o con un centro de servicio autorizado DEWALT.
6	Válvula de seguridad defectuosa	Opere la válvula de seguridad manualmente tirando del anillo. Si la válvula aún pierde, debe ser reemplazada.
7	Uso excesivo y prolongado de aire	Disminuya el uso de aire.
8	El compresor no es lo suficientemente grande para el accesorio	Controle los requisitos de aire del accesorio. Si es mayor que el flujo de aire o la presión provista por su compresor de aire, necesita un compresor más grande para operar el accesorio.
9	Agujero en la manguera de aire	Controle y reemplace la manguera de aire de ser necesario.
10	Válvula de descarga restringida	Retire, limpie o reemplace.
11	La unidad funciona en lugares húmedos o mojados	Traslade la unidad a un área seca y bien ventilada
12	Filtro de entrada de aire restringido	Limpie o reemplace el filtro de entrada de aire

CÓDIGO	CAUSA POSIBLE	SOLUCIÓN POSIBLE
13	Correa floja	Controle la tensión de la correa, consulte <b>Ajustar la tensión de la correa</b> en la sección <i>Mantenimiento</i> .
14	D55270, D55270T, D55275, D55276 Las tuercas de montaje del motor o de la bomba están flojas D55271, D55271T Los pernos de montaje del motor o las tuercas de montaje de la bomba están flojos.	Aplique una torsión de 8,1 a 10,8 Nm (6 a 8 libras-pie) a las tuercas de montaje de la bomba. Aplique una torsión de 10,8 a 13,6 Nm (8 a 10 libras-pie) a los pernos de montaje del motor. <b>▲ADVERTENCIA:</b> <i>Riesgo de explosión. La vibración excesiva puede debilitar el tanque de aire y provocar rotura o explosión. Los tornillos de montaje se deben mantener ajustados.</i>
15	<b>PARA UNIDADES CON BOMBA K</b> Pump stiffener bracket bolt is loose	Controle el perno y ajuste de ser necesario. Aplique una torsión de 13,5 a 16,3 Nm (10 a 12 libras-pies) al perno de soporte de la barra tensora de la bomba. <b>▲ADVERTENCIA:</b> <i>Riesgo de explosión. La vibración excesiva puede debilitar el tanque de aire y provocar rotura o explosión. El perno de soporte de la barra tensora de la bomba se debe mantener ajustado. Nunca opere la unidad salvo que esté equipada con el soporte de la barra tensora.</i>
16	Polea suelta	Ajuste el tornillo de fijación de la polea, aplique una torsión entre 16,4 a 18,6 Nm (145 y 165 libras-pulgadas).
17	Volante suelto	Ajuste el tornillo del volante, aplique una torsión entre 20,3 a 24,4 Nm (15 y 18 libras-pie).
18	Acumulación de carbono en la bomba.	Comuníquese con un centro de servicio de fábrica DEWALT o con un centro de servicio autorizado DEWALT.
19	Ajustar la correa	Controle la tensión de la correa, consulte <b>Ajustar la tensión de la correa</b> en la sección <i>Mantenimiento</i> .
20	Mala alineación de la polea	Consulte <b>Alineación de la polea y el volante</b> en la sección <i>Mantenimiento</i> .
21	La presión en el tanque de aire es demasiado elevada	Abra el regulador y reduzca la presión del tanque de aire a menos de 275,9 kPa (40 psi).

CÓDIGO	CAUSA POSIBLE	SOLUCIÓN POSIBLE
22	Problema del motor	Comuníquese con un centro de servicio de fábrica DEWALT o con un centro de servicio autorizado DEWALT.
23	El nivel de aceite del motor o de la bomba es bajo	Agregue aceite sintético DEWALT para compresores a la bomba. Consulte <b>Aceite de la bomba del compresor</b> en la sección <i>Mantenimiento</i> .
24	El regulador no está correctamente ajustado para el uso de un accesorio	Es normal que se presente alguna caída de presión cuando se usa un accesorio, ajuste el regulador como se indica en <b>Regulador</b> en la sección <i>Características</i> si la caída es excesiva. <b>NOTA:</b> Ajuste la presión regulada bajo condiciones de flujo mientras se usa el accesorio.
25	Regulador dañado	Reemplace.
26	Aceite tipo detergente utilizado en la bomba	Drene el aceite y vuelva a llenar la bomba con aceite sintético DEWALT para compresores.
27	Ciclos de trabajo extremadamente livianos.	Haga funcionar la unidad en ciclos de trabajo más largos. Se recomienda hacerla funcionar a alta velocidad entre el 50 y el 75% del tiempo de funcionamiento y operarla en marcha en espera el 25% del tiempo de funcionamiento
28	Anillos de pistón dañados o gastados	Comuníquese con un centro de servicio de fábrica DEWALT o con un centro de servicio autorizado DEWALT.
29	Cilindro o pistón dañados o gastados	Comuníquese con un centro de servicio de fábrica DEWALT o con un centro de servicio autorizado DEWALT.
30	Terminación del cilindro del compresor gastada	Comuníquese con un centro de servicio de fábrica DEWALT o con un centro de servicio autorizado DEWALT.
31	Agua en el aceite de la bomba	Drene el aceite y vuelva a llenar la bomba con aceite sintético DEWALT para compresores.
32	Palanca de descarga de bloqueo manual en la <b>posición</b> de abierta	Gire la palanca de descarga de bloqueo manual a la posición perpendicular <b>de cerrada</b> .

<b>CÓDIGO</b>	<b>CAUSA POSIBLE</b>	<b>SOLUCIÓN POSIBLE</b>
33	Regulador abierto	Gire la perilla del regulador (F) en sentido contrario a las agujas del reloj hasta su tope incorporado y empuje la perilla hacia adentro para bloquearla.
34	Tanque de combustible del motor vacío	Agregue gasolina, consulte el procedimiento correcto en el manual de instrucciones del motor.

DEWALT Industrial Tool Co., 701 Joppa Road, Baltimore, MD 21286

(MAR06) Form No. A16679 D55270, D55270T, D55271, D55271T, D55275, D55276 Copyright © 2001,2006 DEWALT  
The following are trademarks for one or more DEWALT power tools: the yellow and black color scheme; the “D” shaped air intake grill; the array of pyramids on the handgrip; the kit box configuration; and the array of lozenge-shaped humps on the surface of the tool.