

# DEWALT®



**Instruction Manual  
Guide D'utilisation  
Manual de instrucciones**

**D28730**

**Chop Saw**

**Scie à onglets**

**Sierra de corte**

**[www.DEWALT.com](http://www.DEWALT.com)**

**If you have questions or comments, contact us.  
Pour toute question ou tout commentaire, nous contacter.  
Si tiene dudas o comentarios, contáctenos.**

**1-800-4-DEWALT**

## ENGLISH

---

English (***original instructions***)

1

---

Français (*traduction de la notice d'instructions originale*)

9

---

Español (*traducido de las instrucciones originales*)

19

---

## Definitions: Safety Alert Symbols and Words

This instruction manual uses the following safety alert symbols and words to alert you to hazardous situations and your risk of personal injury or property damage.





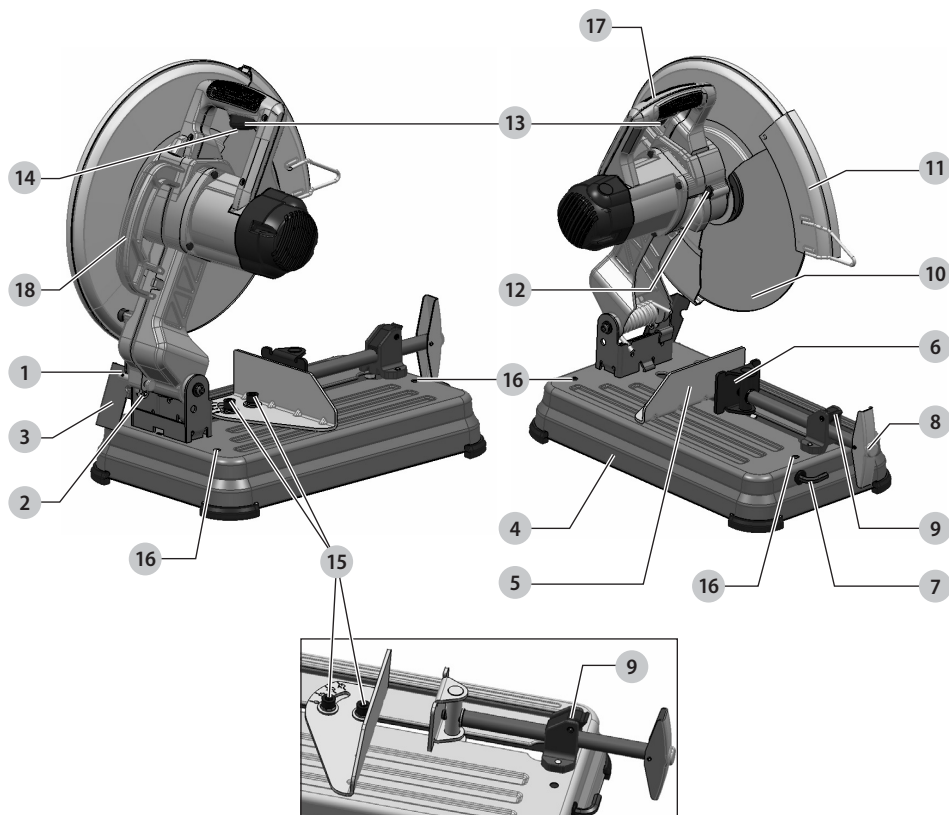


-  **DANGER:** Indicates an imminently hazardous situation which, if not avoided, **will** result in **death or serious injury**.
-  **WARNING:** Indicates a potentially hazardous situation which, if not avoided, **could** result in **death or serious injury**.
-  **CAUTION:** Indicates a potentially hazardous situation which, if not avoided, **may** result in **minor or moderate injury**.
-  (Used without word) Indicates a safety related message.
- NOTICE:** Indicates a practice **not related to personal injury** which, if not avoided, **may** result in **property damage**.

Fig. A



- |                         |                     |
|-------------------------|---------------------|
| 1 Lock pin              | 10 Wheel            |
| 2 Spark deflector screw | 11 Guard            |
| 3 Spark deflector       | 12 Spindle lock     |
| 4 Base                  | 13 Trigger switch   |
| 5 Fence                 | 14 Lock-off lever   |
| 6 Vise                  | 15 Fence bolts      |
| 7 5/16" (8 mm) hex key  | 16 Mounting holes   |
| 8 Crank                 | 17 Operating handle |
| 9 Vise lever            | 18 Carrying handle  |

 **WARNING: Read all safety warnings and all instructions.** Failure to follow the warnings and instructions may result in electric shock, fire and/or serious injury.

 **WARNING:** To reduce the risk of injury, read the instruction manual.

**If you have any questions or comments about this or any DeWALT tool, call us toll free at: 1-800-4-DeWALT (1-800-433-9258).**

## GENERAL POWER TOOL SAFETY WARNINGS



**WARNING:** Read all safety warnings, instructions, illustrations and specifications provided with this power tool. Failure to follow all instructions listed below may result in electric shock, fire and/or serious injury.

### SAVE ALL WARNINGS AND INSTRUCTIONS FOR FUTURE REFERENCE

The term "power tool" in the warnings refers to your mains-operated (corded) power tool or battery-operated (cordless) power tool.

#### 1) Work Area Safety

- a) **Keep work area clean and well lit.** Cluttered or dark areas invite accidents.
- b) **Do not operate power tools in explosive atmospheres, such as in the presence of flammable liquids, gases or dust.** Power tools create sparks which may ignite the dust or fumes.
- c) **Keep children and bystanders away while operating a power tool.** Distractions can cause you to lose control.

#### 2) Electrical Safety

- a) **Power tool plugs must match the outlet. Never modify the plug in any way. Do not use any adapter plugs with earthed (grounded) power tools.** Unmodified plugs and matching outlets will reduce risk of electric shock.
- b) **Avoid body contact with earthed or grounded surfaces such as pipes, radiators, ranges and refrigerators.** There is an increased risk of electric shock if your body is earthed or grounded.
- c) **Do not expose power tools to rain or wet conditions.** Water entering a power tool will increase the risk of electric shock.
- d) **Do not abuse the cord. Never use the cord for carrying, pulling or unplugging the power tool. Keep cord away from heat, oil, sharp edges or moving parts.** Damaged or entangled cords increase the risk of electric shock.
- e) **When operating a power tool outdoors, use an extension cord suitable for outdoor use.** Use of a cord suitable for outdoor use reduces the risk of electric shock.
- f) **If operating a power tool in a damp location is unavoidable, use a ground fault circuit interrupter (GFCI) protected supply.** Use of a GFCI reduces the risk of electric shock.

#### 3) Personal Safety

- a) **Stay alert, watch what you are doing and use common sense when operating a power tool. Do not use a power tool while you are tired or under the influence of drugs, alcohol or medication.** A moment of inattention while operating power tools may result in serious personal injury.
- b) **Use personal protective equipment. Always wear eye protection.** Protective equipment such as dust mask, non-skid safety shoes, hard hat, or hearing

protection used for appropriate conditions will reduce personal injuries.

- c) **Prevent unintentional starting. Ensure the switch is in the off position before connecting to power source and/or battery pack, picking up or carrying the tool.** Carrying power tools with your finger on the switch or energizing power tools that have the switch on invites accidents.
- d) **Remove any adjusting key or wrench before turning the power tool on.** A wrench or a key left attached to a rotating part of the power tool may result in personal injury.
- e) **Do not overreach. Keep proper footing and balance at all times.** This enables better control of the power tool in unexpected situations.
- f) **Dress properly. Do not wear loose clothing or jewelry. Keep your hair, clothing and gloves away from moving parts.** Loose clothes, jewelry or long hair can be caught in moving parts.
- g) **If devices are provided for the connection of dust extraction and collection facilities, ensure these are connected and properly used.** Use of dust collection can reduce dust-related hazards.
- h) **Do not let familiarity gained from frequent use of tools allow you to become complacent and ignore tool safety principles.** A careless action can cause severe injury within a fraction of a second.

#### 4) Power Tool Use and Care

- a) **Do not force the power tool. Use the correct power tool for your application.** The correct power tool will do the job better and safer at the rate for which it was designed.
- b) **Do not use the power tool if the switch does not turn it on and off.** Any power tool that cannot be controlled with the switch is dangerous and must be repaired.
- c) **Disconnect the plug from the power source and/or remove the battery pack, if detachable, from the power tool before making any adjustments, changing accessories, or storing power tools.** Such preventive safety measures reduce the risk of starting the power tool accidentally.
- d) **Store idle power tools out of the reach of children and do not allow persons unfamiliar with the power tool or these instructions to operate the power tool.** Power tools are dangerous in the hands of untrained users.
- e) **Maintain power tools and accessories. Check for misalignment or binding of moving parts, breakage of parts and any other condition that may affect the power tool's operation. If damaged, have the power tool repaired before use.** Many accidents are caused by poorly maintained power tools.
- f) **Keep cutting tools sharp and clean.** Properly maintained cutting tools with sharp cutting edges are less likely to bind and are easier to control.
- g) **Use the power tool, accessories and tool bits, etc. in accordance with these instructions, taking into account the working conditions and the**

**work to be performed.** Use of the power tool for operations different from those intended could result in a hazardous situation.

- h) **Keep handles and grasping surfaces dry, clean and free from oil and grease.** Slippery handles and grasping surfaces do not allow for safe handling and control of the tool in unexpected situations.

## 5) Service

- a) **Have your power tool serviced by a qualified repair person using only identical replacement parts.** This will ensure that the safety of the power tool is maintained.

## Safety Instructions for Cut-Off Machines

### 1) Cut-Off Machine Safety Warnings

- a) **Position yourself and bystanders away from the plane of the rotating wheel.** The guard helps to protect the operator from broken wheel fragments and accidental contact with wheel.
- b) **Use only bonded reinforced cut-off wheels for your power tool.** Just because an accessory can be attached to your power tool, it does not assure safe operation.
- c) **The rated speed of the accessory must be at least equal to the maximum speed marked on the power tool.** Accessories running faster than their rated speed can break and fly apart.
- d) **Wheels must be used only for recommended applications. For example: do not grind with the side of a cut-off wheel.** Abrasive cut-off wheels are intended for peripheral grinding, side forces applied to these wheels may cause them to shatter.
- e) **Always use undamaged wheel flanges that are of correct diameter for your selected wheel.** Proper wheel flanges support the wheel thus reducing the possibility of wheel breakage.
- f) **The outside diameter and the thickness of your accessory must be within the capacity rating of your power tool.** Incorrectly sized accessories cannot be adequately guarded or controlled.
- g) **The arbor size of wheels and flanges must properly fit the spindle of the power tool.** Wheels and flanges with arbor holes that do not match the mounting hardware of the power tool will run out of balance, vibrate excessively and may cause loss of control.
- h) **Do not use damaged wheels. Before each use, inspect the wheels for chips and cracks. If the power tool or wheel is dropped, inspect for damage or install an undamaged wheel. After inspecting and installing the wheel, position yourself and bystanders away from the plane of the rotating wheel and run the power tool at maximum no load speed for one minute.** Damaged wheels will normally break apart during this test time.
- i) **Wear personal protective equipment. Depending on application, use face shield, safety goggles or safety glasses. As appropriate, wear dust mask, hearing protectors, gloves and shop**

**apron capable of stopping small abrasive or workpiece fragments.** The eye protection must be capable of stopping flying debris generated by various operations. The dust mask or respirator must be capable of filtering particles generated by your operation. Prolonged exposure to high intensity noise may cause hearing loss.

- j) **Keep bystanders a safe distance away from work area. Anyone entering the work area must wear personal protective equipment.** Fragments of workpiece or of a broken wheel may fly away and cause injury beyond immediate area of operation.
- k) **Position the cord clear of the spinning accessory.** If you lose control, the cord may be cut or snagged and your hand or arm may be pulled into the spinning wheel.
- l) **Regularly clean the power tool's air vents.** The motor's fan can draw the dust inside the housing and excessive accumulation of powdered metal may cause electrical hazards.
- m) **Do not operate the power tool near flammable materials. Do not operate the power tool while placed on a combustible surface such as wood.** Sparks could ignite these materials.
- n) **Do not use accessories that require liquid coolants.** Using water or other liquid coolants may result in electrocution or shock.
- o) **Check damaged parts.** Before further use of the tool, a guard or other part that is damaged should be carefully checked to determine that it will operate properly and perform its intended function—check for alignment of moving parts, binding of moving parts, breakage of parts, mounting, and any other conditions that may affect its operation. A guard or other part that is damaged should be properly repaired or replaced.

### 2) Kickback and Related Warnings

Kickback is a sudden reaction to a pinched or snagged rotating wheel. Pinching or snagging causes rapid stalling of the rotating wheel which in turn causes the uncontrolled cutting unit to be forced upwards toward the operator.

For example, if an abrasive wheel is snagged or pinched by the workpiece, the edge of the wheel that is entering into the pinch point can dig into the surface of the material causing the wheel to climb out or kick out. Abrasive wheels may also break under these conditions.

Kickback is the result of power tool misuse and/or incorrect operating procedures or conditions and can be avoided by taking proper precautions as given below.

- a) **Maintain a firm grip on the power tool and position your body and arm to allow you to resist kickback forces.** The operator can control upward kickback forces, if proper precautions are taken.
- b) **Do not position your body in line with the rotating wheel.** If kickback occurs, it will propel the cutting unit upwards toward the operator.
- c) **Do not attach a saw chain, woodcarving blade, segmented diamond wheel or toothed saw blade.** Such blades create frequent kickback and loss of control.

- d) **Do not “jam” the wheel or apply excessive pressure. Do not attempt to make an excessive depth of cut.** Overstressing the wheel increases the loading and susceptibility to twisting or binding of the wheel in the cut and the possibility of kickback or wheel breakage.
- e) **When the wheel is binding or when interrupting a cut for any reason, switch off the power tool and hold the cutting unit motionless until the wheel comes to a complete stop. Never attempt to remove the wheel from the cut while the wheel is in motion otherwise kickback may occur.** Investigate and take corrective action to eliminate the cause of wheel binding.
- f) **Do not restart the cutting operation in the workpiece. Let the wheel reach full speed and carefully re-enter the cut. The wheel may bind, walk up or kickback if the power tool is restarted in the workpiece.**
- g) **Support any oversized workpiece to minimize the risk of wheel pinching and kickback.** Large workpieces tend to sag under their own weight. Supports must be placed under the workpiece near the line of cut and near the edge of the workpiece on both sides of the wheel.

appropriate for the dust exposure. Direct particles away from face and body.



**WARNING: Always wear proper personal hearing protection that conforms to ANSI S12.6 (S3.19) during use.** Under some conditions and duration of use, noise from this product may contribute to hearing loss.

- **Air vents often cover moving parts and should be avoided.** Loose clothes, jewelry or long hair can be caught in moving parts.
- **An extension cord must have adequate wire size (AWG or American Wire Gauge) for safety.** The smaller the gauge number of the wire, the greater the capacity of the cable, that is, 16 gauge has more capacity than 18 gauge. An undersized cord will cause a drop in line voltage resulting in loss of power and overheating. When using more than one extension to make up the total length, be sure each individual extension contains at least the minimum wire size. The following table shows the correct size to use depending on cord length and nameplate ampere rating. If in doubt, use the next heavier gauge. The lower the gauge number, the heavier the cord.

**Minimum Gauge for Cord Sets**

Volts	Total Length of Cord in Feet (meters)				
	120 V	25 (7.6)	50 (15.2)	100 (30.5)	150 (45.7)
240 V	50 (15.2)	100 (30.5)	200 (61.0)	300 (91.4)	
Ampere Rating		American Wire Gauge			
More Than	Not More Than	0	6	10	12
		18	16	16	14
		18	16	14	12
		16	16	14	12
		14	12	Not Recommended	

### Additional Safety Information



**WARNING: ALWAYS** use safety glasses. Everyday eyeglasses are NOT safety glasses. Also use face or dust mask if cutting operation is dusty. ALWAYS WEAR CERTIFIED SAFETY EQUIPMENT:

- ANSI Z87.1 eye protection (CAN/CSA Z94.3),
- ANSI S12.6 (S3.19) hearing protection,
- NIOSH/OSHA/MSHA respiratory protection.



**WARNING:** Some dust created by power sanding, sawing, grinding, drilling, and other construction activities contains chemicals known to the State of California to cause cancer, birth defects or other reproductive harm. Some examples of these chemicals are:

- lead from lead-based paints,
- crystalline silica from bricks and cement and other masonry products, and
- arsenic and chromium from chemically-treated lumber.

Your risk from these exposures varies, depending on how often you do this type of work. To reduce your exposure to these chemicals: work in a well ventilated area, and work with approved safety equipment, such as those dust masks that are specially designed to filter out microscopic particles.

- **Avoid prolonged contact with dust from power sanding, sawing, grinding, drilling, and other construction activities. Wear protective clothing and wash exposed areas with soap and water.** Allowing dust to get into your mouth, eyes, or lay on the skin may promote absorption of harmful chemicals.



**WARNING:** Use of this tool can generate and/or disperse dust, which may cause serious and permanent respiratory or other injury. Always use NIOSH/OSHA approved respiratory protection

The label on your tool may include the following symbols. The symbols and their definitions are as follows:

- V ..... volts
- Hz ..... hertz
- min ..... minutes
- or DC..... direct current
- Ⓢ ..... Class I Construction (grounded)
- Ⓢ ..... Class II Construction (double insulated)
- no ..... no load speed
- n ..... rated speed
- Ⓢ ..... earthing terminal
- ⚠ ..... safety alert symbol
- ⚠ ..... visible radiation
- Ⓢ ..... wear respiratory protection
- Ⓢ ..... wear eye protection
- Ⓢ ..... wear hearing protection
- Ⓢ ..... read all documentation
- ~ or AC..... alternating or direct current
- Ⓢ ..... Class II Construction (double insulated)
- no ..... no load speed
- n ..... rated speed
- Ⓢ ..... earthing terminal
- ⚠ ..... safety alert symbol
- ⚠ ..... visible radiation
- Ⓢ ..... wear respiratory protection
- Ⓢ ..... wear eye protection
- Ⓢ ..... wear hearing protection
- Ⓢ ..... read all documentation

**SAVE THESE INSTRUCTIONS FOR FUTURE USE**

## Motor

Be sure your power supply agrees with the nameplate marking. Voltage decrease of more than 10% will cause loss of power and overheating. DeWALT tools are factory tested; if this tool does not operate, check power supply.

## Connecting to a Power Supply

Connect this product to a 120V, 15A, polarized receptacle. This appliance has a polarized plug (one blade is wider than the other). This plug will fit in a polarized outlet only one way. If the plug does not fit fully in the outlet, reverse the plug. If it still does not fit, contact a qualified electrician to install the proper outlet.



**WARNING: Do not change the plug in any way.**

*If the power cord is ever damaged, take the tool to a DeWALT authorized service center for repair or replacement.*

## COMPONENTS (FIG. A)



**WARNING: Never modify the power tool or any part of it. Damage or personal injury could result.**

Refer to Figure A at the beginning of this manual for a complete list of components.

## Intended Use

Your chop saw has been designed for the cutting of variously shaped steel materials. It is designed only for use with reinforced bonded abrasives. Diamond or TCT blades should not be used with this unit.

**DO NOT** use under wet conditions or in presence of flammable liquids or gases.

Your chop saw is a professional power tool.

**DO NOT** let children come into contact with the tool. Supervision is required when inexperienced operators use this tool.

## SPECIFICATIONS

### D28730

Voltage	120V~
Frequency	60 Hz
Amps	15
No-load speed	4200/min (rpm)
Wheel diameter	14" (355 mm)
Wheel thickness	.12" (3.0 mm)
Arbor size	1" (25.4 mm)
Net weight	35 lbs (16 kg)

## ASSEMBLY AND ADJUSTMENTS



**WARNING: To reduce the risk of serious personal injury, turn unit off and disconnect it from power source before making any adjustments or removing/installing attachments or accessories. An accidental start-up can cause injury.**

## Cutting Capacity

The wide vise opening and high pivot point provide cutting capacity for many large pieces. Use the cutting capacity chart to determine total maximum size of cuts that can be made with a new wheel.



**CAUTION: CERTAIN LARGE, CIRCULAR OR IRREGULARLY SHAPED OBJECTS MAY REQUIRE ADDITIONAL HOLDING MEANS IF THEY CANNOT BE HELD SECURELY IN VISE.**



**CAUTION: DO NOT CUT MAGNESIUM OR WOOD WITH THIS TOOL.**

## Maximum Cutting Capacity

**NOTE:** Capacity shown on chart assumes no wheel wear and optimum fence position.

Workpiece Shape				
90° Cutting angle	A = 4-7/8" (125 mm)	A = 4-1/2" (115 mm)	4-1/2" x 5-1/8" (115 mm x 130 mm)	A = 4-3/4" (120 mm)
45° Cutting angle	A = 4-1/2" (115 mm)	A = 3-13/16" (98 mm)	3-3/4" x 4-1/8" (95 mm x 105 mm)	A = 4-1/8" (105 mm)

## OPERATION



**WARNING: To reduce the risk of serious personal injury, turn unit off and disconnect it from power source before making any adjustments or removing/installing attachments or accessories. An accidental start-up can cause injury.**

## Proper Hand Position (Fig. B)

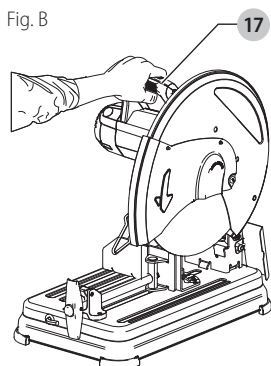


**WARNING: To reduce the risk of serious personal injury, ALWAYS use proper hand position as shown.**



**WARNING: To reduce the risk of serious personal injury, ALWAYS hold securely in anticipation of a sudden reaction.**

Proper hand position requires one hand on the operating handle **17**.



## Carrying the Chop Saw (Fig. A)

Fold down unit to position where you can carry the saw. Push in lock pin **1** to lock arm down. Always carry the saw using the carrying handle **18**.

## Unlocking (Fig. A)

To unlock tool and raise head, depress motor arm slightly and pull lock pin **1** out. Motor arm will then pivot upward.

## Mounting (Fig. A)

**CAUTION:** Tool must be supported on stable, level, non-skid surface to prevent unexpected movement when operating.

1. Drill holes through the work surface that align the base of the chop saw.
2. Insert two 5/16" (M10) bolts down through the mounting holes **16** in the base and through holes in mounting surface. The approximate length of the screws should be the thickness of the mounting surface plus 4" (102 mm).

## Spark Deflector Adjustment (Fig. A)

**WARNING:** Do not touch the spark deflector during or immediately after operation as it becomes hot and may cause skin burn.

To best deflect sparks away from surrounding persons and materials, loosen the spark deflector screw **2**, adjust the spark deflector **3** and then retighten screw. Do not allow cordset to come into contact with deflector or sparks as damage to cordset may occur.

## Lock-Off Trigger Switch (Fig. A)

To turn the saw on, push the lock-off lever **14** to the left, then depress the lock-off trigger switch **13**. The saw will run while the switch is depressed. Allow the blade to spin up to full operating speed before making the cut. To turn the saw off, release the switch. Keep hands and material away from the wheel until it has coasted to a stop. Allow the blade to stop before raising the saw head. There is no provision for locking the switch on.

## Material Clamping and Supporting (Fig. C, D)

- Angles are best clamped and cut with both legs resting against base.
- A spacer block slightly narrower than the workpiece can be used to increase wheel utilization (Fig. C).
- Long workpieces must be supported by a block so it will be level with top of base (Fig. D). The cut off end should be free to fall downward to avoid wheel binding.

Fig. C

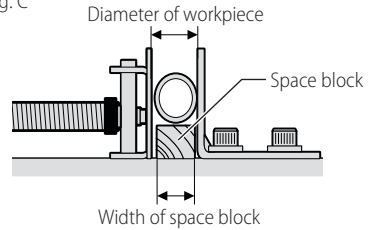
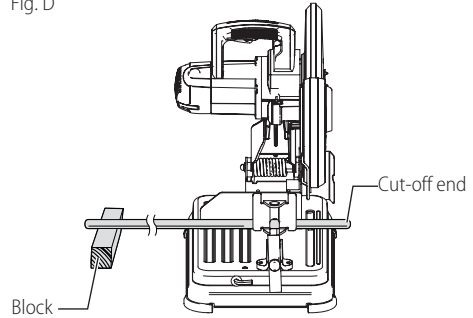


Fig. D



## Vise Operation (Fig. A)

The vise **6** has a quick-travel feature. To release the vise when it is clamped tightly, turn the crank **8** counterclockwise one or two times to remove clamping pressure. Lift vise lever **9** up. Pull crank assembly out as far as desired. Vise may be pushed forward into work without cranking. Lower vise lever then tighten vise **6** on work by using crank.

## Fence Operation (Fig. A, E, F)

**WARNING:** Turn off and unplug the tool before making any adjustments or removing or installing attachments or accessories. Be sure the trigger switch is in the OFF position.

The fence **5** can be adjusted two ways: to change desired cutting angle and to change spacing between the fence and vise.

### To Change the Desired Cutting Angle

Use the 5/16" (8 mm) hex key **7** provided to loosen (do not remove) the two fence bolts **15**. Align the desired angle indicator line with the slot line **26** in the base **4**. Securely tighten both fence bolts before use. For more accurate square cuts, disconnect the power supply, loosen the two fence bolts, push arm down until wheel extends into base. Place a square against the wheel and adjust fence against the square. Securely tighten both fence bolts before use. When making a miter cut, the vise **6** may not clamp securely, depending on the thickness of the workpiece and the miter angle. Other aids (such as spring, bar or C-clamps) will be necessary to secure the workpiece to the fence when making these cuts.



Fig. E

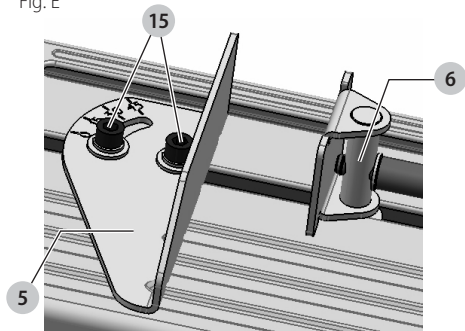


Fig. F

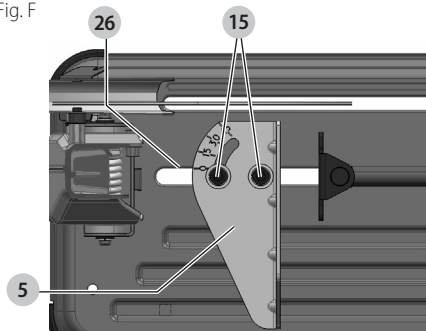
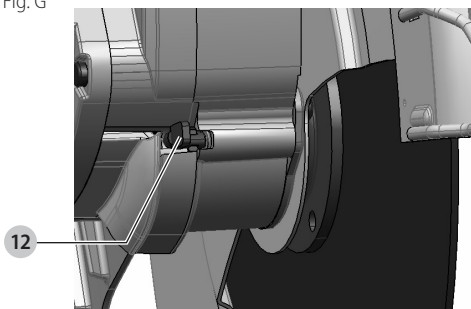
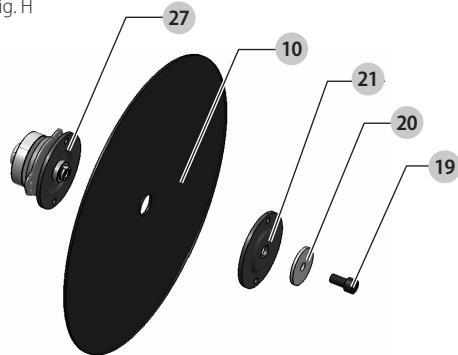


Fig. G



2. Remove the bolt **19**, washer **20**, outside flange **21** and old wheel **10**.

Fig. H



3. Make sure flange surfaces are clean and flat. Install the new abrasive wheel by reversing the above steps.
4. For safe operation, securely tighten bolt **19** to firmly secure the abrasive wheel **10** in between inner **18** and outer flanges **21**. Do not overtighten bolt **19**.

**! WARNING:** Check the work surface that the chop saw rests on when replacing with a new abrasive wheel. It is possible that the wheel may contact **ANY ITEMS OR STRUCTURE THAT EXTENDS ABOVE** work surface (under the base) when the arm is fully lowered.

## Removal and Installation of Wheels

### (Fig. G, H)

**! WARNING:** Turn off and unplug the tool before making any adjustments or removing or installing attachments or accessories. Be sure the trigger switch is in the OFF position. Do not make any adjustment while the wheel is in motion. Do not make any adjustment while chop saw is plugged into power supply.

**! WARNING:** Use only bonded reinforced cut-off wheels for your power tool. A bonded reinforced wheel is defined as a grinding wheel consisting of abrasive particles bonded together with various substances specifically for cutting steel materials.

**! WARNING:** Always use gloves when handling wheels.

**! WARNING:** Handle and store all abrasive wheels carefully to prevent damage from thermal shock, heat, mechanical damage, etc. Store in a dry protected area free from high humidity, freezing temperatures or extreme temperature changes.

**! WARNING:** Do not impact the wheel, and do not use a wheel that has been dropped or impacted. Do not use a chipped, deformed or damaged wheel.

1. Push in spindle lock **12** and rotate wheel **10** by hand until wheel lock lever engages slot in inside flange **27** to lock wheel. Loosen the bolt **19** counterclockwise in the center of the abrasive wheel with the 5/16" (8 mm) hex key **7**. Bolt has right-hand thread.

## Operation Tips for More Accurate Cuts

- Allow the wheel to do the cutting. Excessive force will cause the wheel to glaze reducing cutting efficiency and/or to deflect causing inaccurate cuts.
- Properly adjust fence angle.
- Make sure material is laying flat across base.
- Properly clamp material to avoid movement and vibration.

## Motor Brush Inspection and Replacement (Fig. I, J)

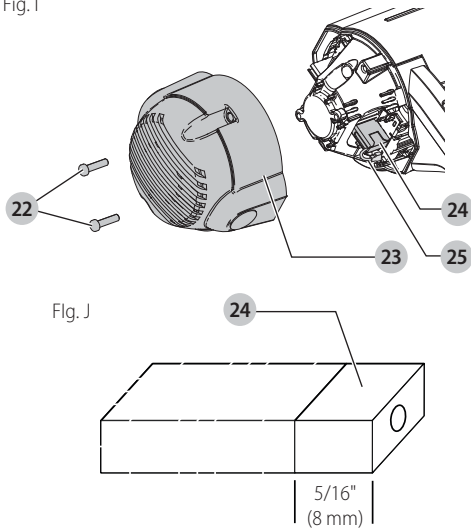
BE SURE TOOL IS UNPLUGGED BEFORE INSPECTING BRUSHES. Brushes should be regularly inspected for wear. To inspect brushes, unscrew the two end cap screws **22** and remove the end cap **23**. To remove each brush **24**, first unplug the shunt wire terminal connection **25**. Then

## ENGLISH

carefully back the brush spring out of the brush box and remove brush. Brushes should slide freely in brush box. If brushes are worn down to 5/16" (8 mm) as shown in Figure J, they should be replaced.

To reinstall each brush, carefully back the spring out of the brush box, insert the brush and return the spring making sure it is pressing on the brush and not touching the brush box. Reconnect shunt wire terminal, then replace the end cap and two screws.

Fig. I



## MAINTENANCE

**WARNING:** To reduce the risk of serious personal injury, turn unit off and disconnect it from power source before making any adjustments or removing/installing attachments or accessories. An accidental start-up can cause injury.

## Cleaning

**WARNING:** Blow dirt and dust out of all air vents with clean, dry air at least once a week. To minimize the risk of eye injury, always wear ANSI Z87.1 approved eye protection when performing this.

**WARNING:** Never use solvents or other harsh chemicals for cleaning the non-metallic parts of the tool. These chemicals may weaken the plastic materials used in these parts. Use a cloth dampened only with water and mild soap. Never let any liquid get inside the tool; never immerse any part of the tool into a liquid.

## Accessories

**WARNING:** Since accessories, other than those offered by DEWALT, have not been tested with this product, use of such accessories with this tool could be hazardous. To reduce the risk of injury, only DEWALT recommended accessories should be used with this product.

Recommended accessories for use with your tool are available at extra cost from your local dealer or authorized service center. If you need assistance in locating any accessory, please contact DEWALT Industrial Tool Co., 701 East Joppa Road, Towson, MD 21286, call 1-800-4-DEWALT (1-800-433-9258) or visit our website: [www.dewalt.com](http://www.dewalt.com).

## Repairs

**WARNING:** To assure product SAFETY and RELIABILITY, repairs, maintenance and adjustment should be performed by a DEWALT factory service center or a DEWALT authorized service center. Always use identical replacement parts.

## Register Online

Thank you for your purchase. Register your product now for:

- **WARRANTY SERVICE:** Registering your product will help you obtain more efficient warranty service in case there is a problem with your product.
- **CONFIRMATION OF OWNERSHIP:** In case of an insurance loss, such as fire, flood or theft, your registration of ownership will serve as your proof of purchase.
- **FOR YOUR SAFETY:** Registering your product will allow us to contact you in the unlikely event a safety notification is required under the Federal Consumer Safety Act.

Register online at [www.dewalt.com/register](http://www.dewalt.com/register).

## Three Year Limited Warranty

For warranty terms, go to <https://www.dewalt.com/support/warranty>.





To request a written copy of the warranty terms, contact: Customer Service at DEWALT Industrial Tool Co., 701 East Joppa Road, Towson, MD 21286 or call 1-800-4-DEWALT (1-800-433-9258).

**LATIN AMERICA:** This warranty does not apply to products sold in Latin America. For products sold in Latin America, see country specific warranty information contained in the packaging, call the local company or see website for warranty information.

**FREE WARNING LABEL REPLACEMENT:** If your warning labels become illegible or are missing, call 1-800-4-DEWALT (1-800-433-9258) for a free replacement.

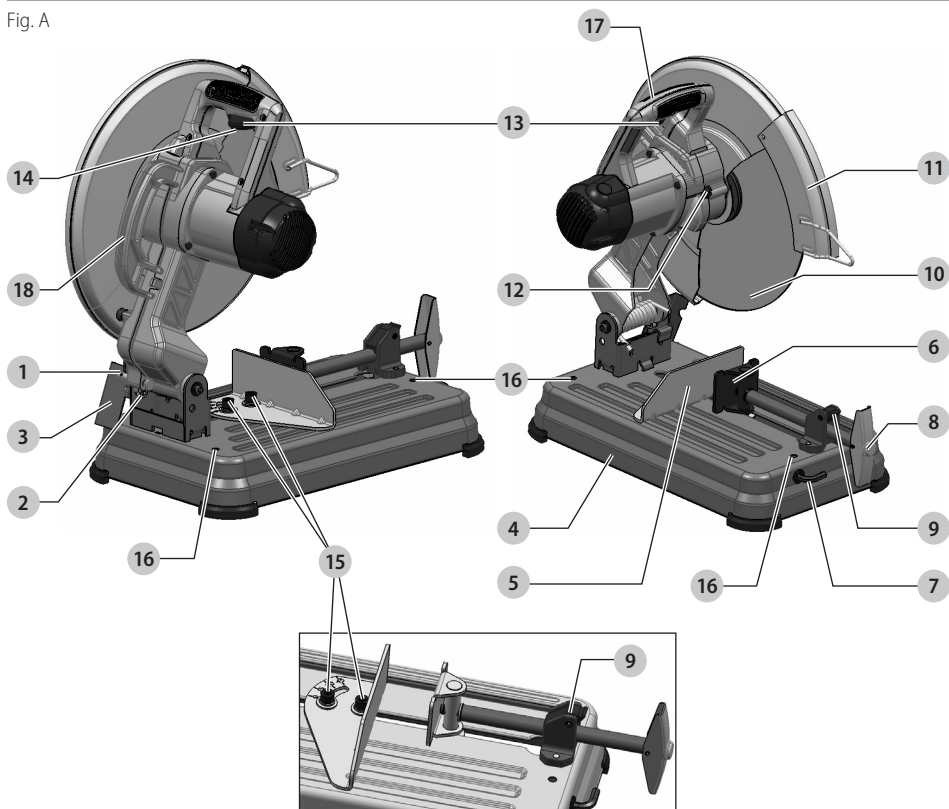
## Définitions : symboles et termes d'alarmes sécurité

Ces guides d'utilisation utilisent les symboles et termes d'alarmes sécurité suivants pour vous prévenir de situations dangereuses et de risques de dommages corporels ou matériels.


-  **DANGER** : indique une situation dangereuse imminente qui, si elle n'est pas évitée, **entraînera la mort ou des blessures graves**.
-  **AVERTISSEMENT** : indique une situation potentiellement dangereuse qui, si elle n'est pas évitée, **pourrait entraîner la mort ou des blessures graves**.
-  **ATTENTION** : indique une situation potentiellement dangereuse qui, si elle n'est pas évitée, **pourrait entraîner des blessures légères ou modérées**.
-  (Si utilisé sans aucun terme) Indique un message propre à la sécurité.

**AVIS** : indique une pratique ne posant **aucun risque de dommages corporels** mais qui par contre, si rien n'est fait pour l'éviter, **pourrait poser des risques de dommages matériels**.

Fig. A



- |   |                           |
|---|---------------------------|
| 1 Tige de blocage                         | 9 Levier de l'étau        |
| 2 Vis du déflecteur contre les étincelles | 10 Meule                  |
| 3 Déflecteur contre les étincelles        | 11 Protecteur             |
| 4 Base                                    | 12 Verrou de la tige      |
| 5 Guide                                   | 13 Gâchette               |
| 6 Étau                                    | 14 Levier de verrouillage |
| 7 Clé hexagonale 8 mm (5/16 po)           | 15 Boulons du guide       |
| 8 Manivelle                               | 16 Trous de montage       |
|   | 17 Poignée de manœuvre    |
|   | 18 Poignée de transport   |

 **AVERTISSEMENT** : lire tous les avertissements de sécurité et toutes les directives. Le non-respect des avertissements et des directives pourrait se solder par un choc électrique, un incendie et/ou une blessure grave.

 **AVERTISSEMENT** : afin de réduire le risque de blessures, lire le mode d'emploi de l'outil.

Pour toute question ou remarque au sujet de cet outil ou de tout autre outil DEWALT, composez le numéro sans frais : 1-800-4-DEWALT (1-800-433-9258).

## AVERTISSEMENTS GÉNÉRAUX SUR LA SÉCURITÉ DES OUTILS



**AVERTISSEMENT :** lisez tous les avertissements de sécurité, toutes les instructions, les illustrations et les caractéristiques fournis avec cet outil électrique. Ne pas suivre toutes les instructions comprises aux présentes peut conduire à un choc électrique, un incendie et/ou des blessures graves.

### CONSERVER TOUS LES AVERTISSEMENTS ET TOUTES LES DIRECTIVES POUR UN USAGE ULTÉRIEUR

Le terme « outil électrique » cité dans les avertissements se rapporte à votre outil électrique à alimentation sur secteur (avec fil) ou par piles (sans fil).

#### 1) Sécurité du lieu de travail

- Tenir l'aire de travail propre et bien éclairée.** Les lieux encombrés ou sombres sont propices aux accidents.
- Ne pas faire fonctionner d'outils électriques dans un milieu déflagrant, tel qu'en présence de liquides, de gaz ou de poussières inflammables.** Les outils électriques produisent des étincelles qui pourraient enflammer la poussière ou les vapeurs.
- Éloigner les enfants et les personnes à proximité pendant l'utilisation d'un outil électrique.** Une distraction pourrait en faire perdre la maîtrise à l'utilisateur.

#### 2) Sécurité en matière d'électricité

- Les fiches des outils électriques doivent correspondre à la prise. Ne jamais modifier la fiche d'aucune façon. Ne jamais utiliser de fiche d'adaptation avec un outil électrique mis à la terre.** Le risque de choc électrique sera réduit par l'utilisation de fiches non modifiées correspondant à la prise.
- Éviter tout contact physique avec des surfaces mises à la terre comme des tuyaux, des radiateurs, des cuisinières et des réfrigérateurs.** Le risque de choc électrique est plus élevé si votre corps est mis à la terre.
- Ne pas exposer les outils électriques à la pluie ou à l'humidité.** La pénétration de l'eau dans un outil électrique augmente le risque de choc électrique.
- Ne pas utiliser le cordon de façon abusive. Ne jamais utiliser le cordon pour transporter, tirer ou débrancher un outil électrique. Tenir le cordon éloigné de la chaleur, de l'huile, des bords tranchants et des pièces mobiles.** Les cordons endommagés ou enchevêtrés augmentent les risques de choc électrique.
- Pour l'utilisation d'un outil électrique à l'extérieur, se servir d'une rallonge convenant à cette application.** L'utilisation d'une rallonge conçue pour l'extérieur réduit les risques de choc électrique.

- S'il est impossible d'éviter l'utilisation d'un outil électrique dans un endroit humide, brancher l'outil dans une prise ou sur un circuit d'alimentation dotés d'un disjoncteur de fuite à la terre (GFCI).** L'utilisation de ce type de disjoncteur réduit les risques de choc électrique.

#### 3) Sécurité personnelle

- Être vigilant, surveiller le travail effectué et faire preuve de jugement lorsqu'un outil électrique est utilisé. Ne pas utiliser d'outil électrique en cas de fatigue ou sous l'influence de drogues, d'alcool ou de médicaments.** Un simple moment d'inattention en utilisant un outil électrique peut entraîner des blessures corporelles graves.
- Utiliser des équipements de protection individuelle. Toujours porter une protection oculaire.** L'utilisation d'équipements de protection comme un masque antipoussière, des chaussures antidérapantes, un casque de sécurité ou des protecteurs auditifs lorsque la situation le requiert réduira les risques de blessures corporelles.
- Empêcher les démarrages intempestifs. S'assurer que l'interrupteur se trouve à la position d'arrêt avant de relier l'outil à une source d'alimentation et/ou d'insérer un bloc-piles, de ramasser ou de transporter l'outil.** Transporter un outil électrique alors que le doigt repose sur l'interrupteur ou brancher un outil électrique dont l'interrupteur est à la position de marche risque de provoquer un accident.
- Retirer toute clé de réglage ou clé avant de débrancher l'outil.** Une clé ou une clé de réglage attachée à une partie pivotante de l'outil électrique peut provoquer des blessures corporelles.
- Ne pas trop tendre les bras. Conserver son équilibre en tout temps.** Cela permet de mieux maîtriser l'outil électrique dans les situations imprévues.
- S'habiller de manière appropriée. Ne pas porter de vêtements amples ni de bijoux. Garder les cheveux, les vêtements et les gants à l'écart des pièces mobiles.** Les vêtements amples, les bijoux ou les cheveux longs risquent de rester coincés dans les pièces mobiles.
- Si des composants sont fournis pour le raccordement de dispositifs de dépoussiérage et de ramassage, s'assurer que ceux-ci sont bien raccordés et utilisés.** L'utilisation d'un dispositif de dépoussiérage peut réduire les dangers engendrés par les poussières.
- Ne pas laisser votre connaissance acquise suite l'utilisation fréquente des outils vous permettre de baisser la garde et ignorer les principes de sécurité de l'outil.** Un acte irréfléchi peut causer une blessure grave en une fraction de seconde.

#### 4) Utilisation et entretien d'un outil électrique

- a) **Ne pas forcer un outil électrique. Utiliser l'outil électrique approprié à l'application.** L'outil électrique approprié effectuera un meilleur travail, de façon plus sûre et à la vitesse pour laquelle il a été conçu.
- b) **Ne pas utiliser un outil électrique dont l'interrupteur est défectueux.** Tout outil électrique dont l'interrupteur est défectueux est dangereux et doit être réparé.
- c) **Débranchez la fiche de la prise électrique et, si amovible, retirez le bloc-piles de l'outil avant d'effectuer tout ajustement, changement et entreposage de celui-ci.** Ces mesures préventives réduisent les risques de démarrage accidentel de l'outil électrique.
- d) **Ranger les outils électriques hors de la portée des enfants et ne permettre à aucune personne n'étant pas familière avec un outil électrique ou son mode d'emploi d'utiliser cet outil.** Les outils électriques deviennent dangereux entre les mains d'utilisateurs inexpérimentés.
- e) **Gardez les poignées et surfaces d'emprise propres et libres de tout produit lubrifiant. Vérifier si les pièces mobiles sont mal alignées ou coincées, si des pièces sont brisées ou présentent toute autre condition susceptible de nuire au bon fonctionnement de l'outil électrique. En cas de dommage, faire réparer l'outil électrique avant toute nouvelle utilisation.** Beaucoup d'accidents sont causés par des outils électriques mal entretenus.
- f) **S'assurer que les outils de coupe sont aiguisés et propres.** Les outils de coupe bien entretenus et affûtés sont moins susceptibles de se coincer et sont plus faciles à maîtriser.
- g) **Utiliser l'outil électrique, les accessoires, les forets, etc. conformément aux présentes directives en tenant compte des conditions de travail et du travail à effectuer.** L'utilisation d'un outil électrique pour toute opération autre que celle pour laquelle il a été conçu est dangereuse.
- h) **Garder vos mains et les surfaces de prise sèches, propres et libres de graisse et de poussière.** Les mains et les surfaces de prise glissantes ne permettent pas la maintenance et le contrôle sécuritaires de l'outil dans les situations imprévues.

#### 5) Réparation

- a) **Faire réparer l'outil électrique par un réparateur professionnel en n'utilisant que des pièces de rechange identiques.** Cela permettra de maintenir une utilisation sécuritaire de l'outil électriques. **Ne jamais réparer des blocs-piles endommagés.** La réparation de blocs-piles doit seulement être effectuée par le fabricant ou les fournisseurs de service autorisés.

#### Consignes de sécurité pour les machines à tronçonner

##### 1) Avertissements de sécurité pour les machines à tronçonner

- a) **Placez-vous et les passants à l'écart de l'axe de la meule en rotation.** Le protecteur aide à protéger l'utilisateur des fragments de meules brisées et du contact accidentel avec la meule.
- b) **Utilisez seulement des meules à tronçonner renforcées agglomérées pour votre outil électrique.** Le fait qu'un accessoire peut être fixé à votre outil n'assure pas une utilisation sécuritaire.
- c) **La vitesse nominale de l'accessoire doit être au moins égale à la vitesse maximale indiquée sur l'outil électrique.** Les accessoires qui fonctionnent plus rapidement que leur vitesse nominale peuvent se briser et voler en éclats.
- d) **Les meules doivent être utilisées seulement pour les applications recommandées. Par exemple : ne pas meuler avec le côté de la meule de coupe.** Les meules de coupe sont conçues pour le meulage périphérique, les forces latérales appliquées sur ces meules peuvent faire en sorte qu'elles éclatent.
- e) **Utilisez toujours des brides de meules non endommagées ayant le bon diamètre pour la meule sélectionnée.** Les brides de meules appropriées soutiennent la meule réduisant ainsi la possibilité d'un bris de la meule.
- f) **Le diamètre extérieur et l'épaisseur de votre accessoire doivent être conformes à la capacité nominale de votre outil.** Les accessoires ayant un format incorrect ne peuvent pas être gardés ou contrôlés de façon appropriée.
- g) **La taille de l'axe des meules et des brides doit bien s'ajuster à la tige de l'outil électrique.** Les meules et les brides ayant de trous qui ne correspondent pas au matériel de montage de l'outil électrique manqueront d'équilibre, vibreront de façon excessive ou peuvent entraîner une perte de contrôle.
- h) **Ne pas utiliser de meules endommagées. Avant chaque utilisation, inspectez les meules pour des copeaux et des fissures. Si vous échappez l'outil ou une meule, inspectez pour vérifier s'il y a des dommages ou installez un accessoire non endommagé. Après avoir inspecté et installé la meule, placez-vous et les passants à distance de la zone de rotation de la meule et faites fonctionner l'outil électrique à une vitesse à vide pendant une minute.** Les meules endommagées se briseront normalement durant la durée du test.
- i) **Portez un équipement de protection individuelle. Selon l'application, utilisez un masque de protection ou des lunettes de sécurité. Selon les besoins, portez un masque antipoussières, une protection auditive, des gants et un tablier pouvant arrêter de petits fragments de la pièce**

**de travail ou abrasifs.** La protection des yeux doit être en mesure d'arrêter les débris volants générés par diverses opérations. Le masque antipoussières ou le respirateur doit être en mesure de filtrer les particules générées par votre utilisation. L'exposition prolongée à du bruit d'intensité élevée peut causer une perte auditive.

- j) **Gardez les passants à une distance sécuritaire de l'aire de travail. Toute personne entrant dans l'aire de travail doit porter un équipement de protection individuel.** Les fragments de la pièce de travail ou d'une meule brisée peuvent s'envoler et peuvent causer une blessure au-delà de l'aire immédiate de l'opération.
- k) **Placez le cordon à l'écart de l'accessoire en rotation.** Si vous perdez le contrôle, le cordon peut être coupé ou accroché et votre main ou votre bras peut être tiré dans la meule en rotation.
- l) **Nettoyez régulièrement les événements de l'outil électrique.** Le ventilateur du moteur peut produire de la poussière à l'intérieur du boîtier et l'accumulation excessive de métal fritté peut causer des chocs électriques.
- m) **Ne pas utiliser l'outil électrique près de matières inflammables. Ne pas utiliser l'outil électrique pendant qu'il est placé sur une surface combustible comme le bois.** Des étincelles pourraient enflammer ces matières.
- n) **Ne pas utiliser des accessoires qui nécessitent des liquides réfrigérants.** Utiliser de l'eau ou d'autres liquides réfrigérants peut entraîner une électrocution ou un choc électrique.
- o) **Vérifiez les pièces endommagées. Avant l'utilisation ultérieure de l'outil, un protecteur ou une autre pièce qui est endommagée doit être soigneusement vérifié afin de déterminer s'il fonctionnera bien et s'il effectuera la fonction prévue.** Vérifiez l'alignement des pièces en mouvement, le bris des pièces, le montage et tout autre état qui peut affecter son utilisation. Tout protecteur ou toute pièce endommagée devrait être adéquatement réparé ou remplacé.

## 2) Avertissements de recul intempestif et autres dangers

Le rebond est une réaction soudaine d'une meule en rotation coincée ou accrochée. Le coincage ou l'accrochage entraîne un blocage rapide de la meule en rotation qui à son tour entraîne l'outil de coupe non contrôlé à être forcé vers le haut vers l'utilisateur.

Par exemple, si une meule abrasive est accrochée ou coincée dans la pièce de travail, le bord de la meule qui est entré dans le point de coincement peut creuser la surface du matériau causant la chute ou l'éjection de la meule. Les meules abrasives peuvent aussi se briser dans ces conditions.

Le rebond est le résultat d'une mauvaise utilisation de l'outil électrique et/ou de procédures ou de conditions de

fonctionnement incorrectes et il peut être évité en prenant les précautions appropriées définies ci-dessous :

- a) **Maintenez solidement l'outil électrique et placez votre corps et votre bras pour vous permettre de résister aux forces des rebonds.** L'utilisateur peut contrôler les forces des rebonds si les précautions appropriées sont prises.
- b) **Ne pas placer votre corps en ligne avec la meule en rotation.** Si un rebond se produit, il poussera l'unité de coupe vers le haut vers l'utilisateur.
- c) **Ne pas fixer une scie à chaîne, une lame de sculpture de bois, une meule diamantée segmentée ou une lame de scie dentée.** Ces lames créent des rebonds et une perte de contrôle fréquents.
- d) **Ne pas bloquer la meule ou appliquer une pression excessive. Ne pas tenter de faire une coupe dont la profondeur est excessive.** Surcharger la meule augmente la charge et la prédisposition à la torsion ou au coincage de la meule dans la coupe et la possibilité de rebond ou de bris de la meule.
- e) **Lorsque la meule se coince ou si vous cessez une coupe pour quelque raison que ce soit, éteignez l'outil électrique et tenez l'outil de coupe sans bouger jusqu'à ce que la meule s'arrête complètement. Ne jamais tenter de retirer la meule de la coupe pendant que la meule est en mouvement sinon un rebond peut se produire.** Examinez-la et prenez des mesures correctives pour éliminer la cause du coincage de la meule.
- f) **Ne pas redémarrer la coupe dans la pièce à travailler. Laissez la meule atteindre sa pleine vitesse et entrez doucement dans la coupe à nouveau.** La meule peut se coincer, s'approcher ou rebondir si l'outil électrique est redémarré dans la pièce à travailler.
- g) **Soutenez toute pièce de travail surdimensionnée afin de réduire le risque de coincage ou de rebond de la meule.** Les grosses pièces à travailler ont tendance à s'affaisser sous leur propre poids. Des supports doivent être placés sous la pièce de travail près de la ligne de coupe et près du bord de la pièce de travail des deux côtés de la meule.

## Consigne de sécurité supplémentaire



**AVERTISSEMENT :** porter **SYSTEMATIQUEMENT** des lunettes de protection. Les lunettes courantes NE sont PAS des lunettes de protection. Utiliser aussi un masque antipoussières si la découpe doit en produire beaucoup. **PORTER SYSTÉMATIQUEMENT UN ÉQUIPEMENT DE SÉCURITÉ HOMOLOGUÉ :**

- Protection oculaire ANSI Z87.1 (CAN/CSA Z94.3) ;
- Protection auditive ANSI S12.6 (S3.19) ;
- Protection des voies respiratoires NIOSH/OSHA/MSHA.



**AVERTISSEMENT :** les scies, meules, ponceuses, perceuses ou autres outils de construction peuvent produire des poussières contenant des produits

chimiques reconnus par l'État californien pour causer cancers, malformations congénitales ou être nocifs au système reproducteur. Parmi ces produits chimiques, on retrouve :

- Le plomb dans les peintures à base de plomb ;
- La silice cristallisée dans les briques et le ciment, ou autres produits de maçonnerie ; et
- L'arsenic et le chrome dans le bois ayant subi un traitement chimique.

Le risque associé à de telles expositions varie selon la fréquence à laquelle on effectue ces travaux. Pour réduire toute exposition à ces produits : travailler dans un endroit bien aéré, en utilisant du matériel de sécurité homologué, tel un masque antipoussières spécialement conçu pour filtrer les particules microscopiques.

- **Limiter toute exposition prolongée avec les poussières provenant du ponçage, sciage, meulage, perçage ou toute autre activité de construction. Porter des vêtements de protection et nettoyer à l'eau savonneuse les parties du corps exposées.** Le fait de laisser la poussière pénétrer dans la bouche, les yeux ou la peau peut favoriser l'absorption de produits chimiques dangereux.



**AVERTISSEMENT :** cet outil peut produire et/ou répandre de la poussière susceptible de causer des dommages sérieux et permanents au système respiratoire. Utiliser systématiquement un appareil de protection des voies respiratoires homologué par le NIOSH ou l'OSHA. Diriger les particules dans le sens opposé au visage et au corps.



**AVERTISSEMENT :** pendant l'utilisation, porter systématiquement une protection auditive individuelle adéquate homologuée ANSI S12.6 (S3.19). Sous certaines conditions et suivant la durée d'utilisation, le bruit émanant de ce produit pourrait contribuer à une perte de l'acuité auditive.

- **Prendre des précautions à proximité des événements, car ils cachent des pièces mobiles.** Vêtements amples, bijoux ou cheveux longs risquent de rester coincés dans ces pièces mobiles.
- **Pour la sécurité de l'utilisateur, utiliser une rallonge de calibre adéquat (AWG, American Wire Gauge [calibrage américain normalisé des fils électriques]).** Plus le calibre est petit, et plus sa capacité est grande. Un calibre 16, par exemple, a une capacité supérieure à un calibre 18. L'usage d'une rallonge de calibre insuffisant causera une chute de tension qui entraînera perte de puissance et surchauffe. Si plus d'une rallonge est utilisée pour obtenir une certaine longueur, s'assurer que chaque rallonge présente au moins le calibre de fil minimum. Le tableau ci-dessous illustre les calibres à utiliser selon la longueur de rallonge et l'intensité nominale indiquée sur la plaque signalétique. En cas de doute, utiliser le calibre suivant. Plus le calibre est petit, plus la rallonge peut supporter de courant.

### Calibre minimum pour les cordons d'alimentation

Volts		Longueur totale du cordon d'alimentation en mètre (pieds)			
120 V		7,6 (25)	15,2 (50)	30,5 (100)	45,7 (150)
240 V		15,2 (50)	30,5 (100)	61,0 (200)	91,4 (300)
Ampères		AWG			
Plus que	Pas plus que				
0	6	18	16	16	14
6	10	18	16	14	12
10	12	16	16	14	12
12	16	14	12	Non recommandé	

L'étiquette apposée sur votre outil peut inclure les symboles suivants. Les symboles et leur définition sont indiqués ci-après :

V .....	volts		or AC.....	courant alternatif
Hz .....	hertz		or AC/DC.....	courant alternatif ou continu
min .....	minutes			fabrication classe II (double isolation)
	or DC.....			courant continu
	.....			fabrication classe I (mis à la terre)
... /min.....	par minute		n <sub>0</sub> .....	vitesse à vide
BPM .....	battements par minute		n .....	vitesse nominale
IPM .....	impacts par minute			borne de terre
RPM .....	révolutions par minute			symbole d'avertissement
sfpm .....	pieds linéaires par minute (plpm)			radiation visible
SPM (FPM) .....	fréquence par minute			protection respiratoire
A .....	ampères			protection oculaire
W .....	watts			protection auditive
				lire toute la documentation

### CONSERVER CES CONSIGNES POUR UTILISATION ULTÉRIEURE

#### Moteur

S'assurer que le bloc d'alimentation est compatible avec l'inscription de la plaque signalétique. Une diminution de tension de plus de 10 % provoquera une perte de puissance et une surchauffe. Les outils DeWALT sont testés en usine ; si cet outil ne fonctionne pas, vérifier l'alimentation électrique.

#### Brancher à l'alimentation électrique

Brancher ce produit dans une prise polarisée 120 V, 15 A. Cet appareil est muni d'une fiche polarisée (une lame est plus large que l'autre). Celle-ci ne pourra être branchée dans une prise polarisée que dans un sens. Si la fiche ne s'insère pas dans la prise, inversez-la. Si elle ne s'insère toujours pas, appelez un électricien accrédité pour installer une prise adéquate.



**AVERTISSEMENT :** ne jamais modifier la fiche de quelque façon que ce soit. Si jamais le cordon d'alimentation est endommagé, apportez l'outil dans un centre de services autorisé DeWALT pour des réparations ou un remplacement.

## DESCRIPTION (FIG. A)

**AVERTISSEMENT** : ne jamais modifier l'outil électrique ni aucun de ses composants, car il y a risques de dommages corporels ou matériels.

Reportez-vous en Figure A au début de ce manuel pour obtenir la liste complète des composants.

## Usage prévu

Votre scie à tronçonner a été conçue pour la coupe de matériaux en acier de diverses formes. Elle est conçue pour être utilisée avec des abrasifs renforcés agglomérés. Les lames diamantées ou TCT ne doivent pas être utilisées avec cet outil.

**NE PAS** les utiliser en milieu ambiant humide ou en présence de liquides ou de gaz inflammables.

Cette scie à tronçonner est un outil électrique professionnel.

**NE PAS** le laisser à la portée des enfants. Une supervision est nécessaire auprès de tout utilisateur non expérimenté.

## CARACTÉRISTIQUES

D28730

Tension	120V~
Fréquence	60 Hz
Ampères	15
Vitesse à vide	4200/min (rpm)
Diamètre de la meule	355 mm (14 po)
Épaisseur de la meule	3.0 mm (.12 po)
Diamètre de l'arbre	25.4 mm (1 po)
Poids net	16 kg (35 lbs)

## ASSEMBLAGE ET AJUSTEMENTS

**AVERTISSEMENT** : pour réduire le risque de blessures graves, éteindre l'outil et retirer le débrancher avant d'effectuer tout réglage et d'enlever ou d'installer tout accessoire. Un démarrage accidentel peut provoquer des blessures.

## Capacité de coupe

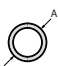
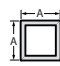
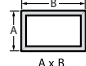

La large ouverture de l'étau et le point de pivotement élevé offrent une capacité de coupe pour de nombreuses grandes pièces. Utilisez le tableau de capacité de coupe afin de déterminer la taille maximale totale des coupes qui peuvent être faites avec une nouvelle meule.

**ATTENTION** : CERTAINS OBJETS DE FORMES GRANDES, CIRCULAIRES OU IRRÉGULIÈRES PEUVENT NÉCESSITER DES MESURES DE MAINTIEN SUPPLÉMENTAIRES S'ILS NE PEUVENT PAS ÊTRE TENUS DE FAÇON SÉCURITAIRE DANS L'ÉTAU.

**ATTENTION** : NE PAS COUPER LE MAGNÉSIUM OU DE BOIS AVEC CET OUTIL.

## Capacité de coupe recommandée

**REMARQUE** : La capacité affichée au tableau suppose qu'il n'y a aucune usure de la meule et que la position du guide est optimale.

Forme de la pièce de travail				
Angle de coupe à 90°	A = 125 mm (4-7/8 po)	A = 115 mm (4-1/2 po)	115 mm x 130 mm (4-1/2 po x 5-1/8 po)	A = 120 mm (4-3/4 po)
Angle de coupe à 45°	A = 115 mm (4-1/2 po)	A = 98 mm (3-13/16 po)	95 mm x 105 mm (3-3/4 po x 4-1/8 po)	A = 105 mm (4-1/8 po)

## UTILISATION

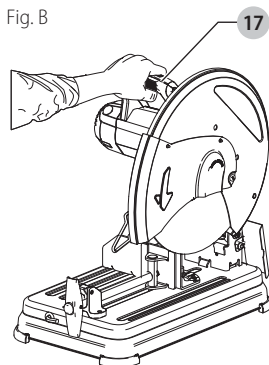
**AVERTISSEMENT** : pour réduire le risque de blessures graves, éteindre l'outil et retirer le débrancher avant d'effectuer tout réglage et d'enlever ou d'installer tout accessoire. Un démarrage accidentel peut provoquer des blessures.

## Position correcte des mains (Fig. B)

**AVERTISSEMENT** : pour réduire tout risque de dommages corporels graves, adopter **SYSTÉMATIQUEMENT** la position des mains illustrée.

**AVERTISSEMENT** : pour réduire tout risque de dommages corporels graves, maintenir **SYSTÉMATIQUEMENT** l'outil fermement pour anticiper toute réaction soudaine.

La position correcte des mains requiert une main sur la poignée principale **17**.



## Transporter la scie à tronçonner (Fig. A)

Rabattez l'outil à la position où vous pouvez transporter la scie. Poussez la tige de verrouillage **1** pour verrouiller le bras vers le bas. Transportez toujours la scie à l'aide de la poignée de transport **18**.

## Déverrouillage (Fig. A)

Pour déverrouiller l'outil et lever la tête, appuyez légèrement sur le bras du moteur et retirez la tige de verrouillage **1**. Le bras du moteur pivotera ensuite vers le haut.

## Montage (Fig. A)

**ATTENTION** : l'outil doit être soutenu sur une surface stable, plane et antidérapante afin d'éviter un mouvement inattendu durant l'utilisation.



1. Percez des trous dans la surface de travail qui aligne la base de la scie à tronçonner.
2. Insérez deux boulons 5/16 po (M10) à travers les trous de montage **16** dans la base et à travers les trous dans la surface de montage. La longueur approximative des vis doit correspondre à l'épaisseur de la surface de montage plus 102 mm (4 po).

## Ajustement du déflecteur contre les étincelles (Fig. A)

**AVERTISSEMENT :** *Ne pas toucher le déflecteur contre les étincelles durant ou immédiatement après l'utilisation, car il devient chaud et il peut causer des brûlures de la peau.*

Pour mieux dévier les étincelles loin des personnes et des matériaux dans les environs, dévissez la vis du déflecteur contre les étincelles **2**, ajustez le déflecteur contre les étincelles **3**, puis revissez la vis. Ne pas laisser le cordon entrer en contact avec le déflecteur ou des étincelles puisque cela peut endommager le cordon.

## Gâchette de verrouillage (Fig. A)

Pour mettre la scie en marche, appuyez sur le levier de verrouillage **14**, puis appuyez sur **13** la gâchette de verrouillage. La scie fonctionnera tant que vous appuyerez sur la gâchette. Laissez tourner la lame à pleine vitesse de fonctionnement avant de faire une coupe. Pour éteindre la scie, relâchez la gâchette. Gardez vos mains et le matériau à l'écart de la meule jusqu'à ce qu'elle s'arrête. Laissez la lame s'arrêter avant de lever la tête de la scie. Rien n'est prévu pour verrouiller la gâchette en marche.

## Serrer et maintenir le matériau (Fig. C, D)

- Les angles sont mieux serrés et coupés avec les deux pattes s'appuyant contre la base.
- Un bloc d'espacement légèrement plus étroit que la pièce de travail peut être utilisé pour augmenter l'utilisation de la meule (Fig. C).
- Les longues pièces de travail doivent être soutenues par un bloc pour être au même niveau que le dessus de la base (Fig. D). L'extrémité tronçonnée doit être libre de tomber afin d'éviter le coincage de la meule.

Fig. C

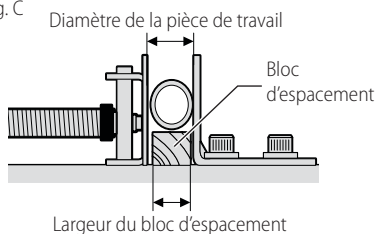
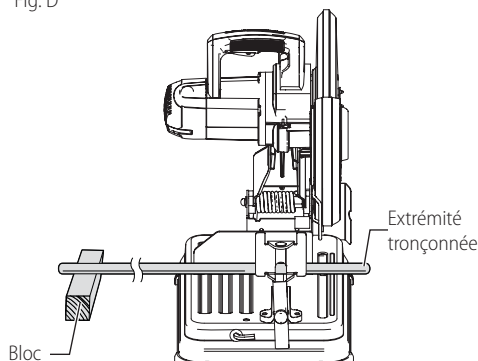


Fig. D



## Utilisation de l'étau (Fig. A)

L'étau **6** a une fonction de déplacement rapide. Pour dégager l'étau lorsqu'il est très serré, tournez la manivelle **8** dans le sens contraire des aiguilles d'une montre un ou deux fois pour enlever la pression de serrage. Levez le levier de l'étau **9**. Retirez l'assemblage de la manivelle aussi loin que vous le désirez. L'étau peut être poussé vers l'avant dans le travail sans tourner la manivelle. Baissez le levier de l'étau, puis serrez l'étau **6** sur le travail à l'aide de la manivelle.

## Utilisation du guide (Fig. A, E, F)

**AVERTISSEMENT :** *éteignez et débranchez l'outil avant d'effectuer tout ajustement ou de retirer ou d'installer des fixations ou des accessoires. Assurez-vous que la gâchette est en position Arrêt.*

Le guide **5** peut être ajusté de deux façons : en changeant l'angle de coupe désiré et en changeant l'espace entre le guide et l'étau.

### Pour changer l'angle de coupe désiré

Utilisez la clé hexagonale 5/16 po (8 mm) **7** fournie pour dévisser (ne pas retirer) les deux boulons du guide **15**. Alignez la ligne de l'indicateur de l'angle désiré avec la ligne de la fente **26** dans la base **4**. Serrez solidement les boulons du guide avant l'utilisation. Pour des coupes carrées plus précises, débranchez l'alimentation. Dévissez les deux boulons du guide. Poussez le bras vers le bas jusqu'à ce que la meule s'étende dans la base. Placez un carré contre la meule et ajustez le guide contre le carré. Serrez solidement les boulons du guide avant l'utilisation. Lorsque vous effectuez une coupe d'onglet, l'étau **6** peut ne pas se serrer solidement, selon l'épaisseur de la pièce de travail l'angle de l'onglet. D'autres accessoires aidants (comme un ressort, une barre ou un étau en C) seront nécessaires pour fixer la pièce de travail au guide lorsque vous effectuez ces coupes.

Fig. E

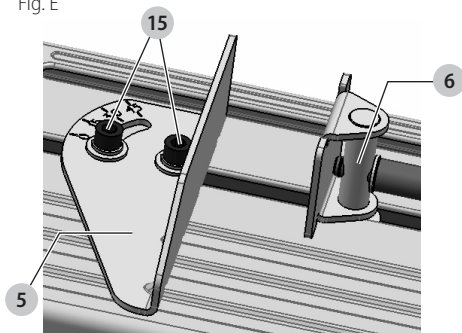
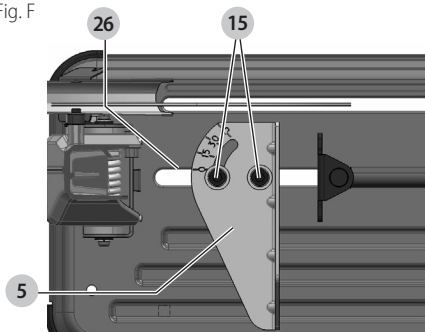


Fig. F



## Retrait et installation des meules

(Fig. G, H)

**⚠ AVERTISSEMENT :** éteignez et débranchez l'outil avant d'effectuer tout ajustement ou de retirer ou d'installer des fixations ou des accessoires. Assurez-vous que la gâchette est en position Arrêt. Ne pas faire d'ajustement lorsque la meule est en mouvement. Ne pas faire d'ajustement lorsque la scie à tronçonner est branchée à l'alimentation.

**⚠ AVERTISSEMENT :** utilisez seulement des meules à tronçonner renforcées agglomérées pour votre outil électrique. Une meule renforcée agglomérée correspond à une meule composée de particules abrasives agglomérées ensemble avec différentes substances spécifiquement pour couper des matériaux en acier.

**⚠ AVERTISSEMENT :** utilisez toujours des gants lorsque vous manipulez les meules.

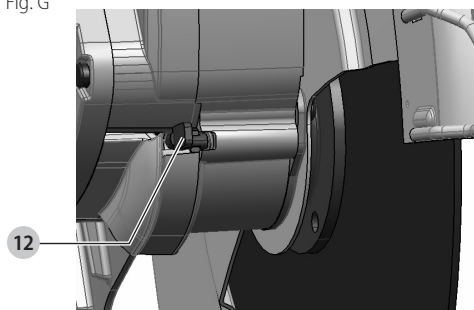
**⚠ AVERTISSEMENT :** manipulez et remisez tous les meules abrasives pour prévenir tout dommage de choc mécanique, de chaleur intensive, etc. Entreposez dans un endroit protégé de l'humidité, du gel ou de changements brusques de température.

**⚠ AVERTISSEMENT :** ne pas causer d'impact sur la meule et ne pas utiliser une meule qui été échappée ou a reçu un impact. Ne pas utiliser une meule écaillée, déformée ou endommagée.

1. Poussez le verrou de la tige **12** et tournez la meule **10** à la main jusqu'à ce que le levier de verrouillage s'engage dans la bride interne **27** pour verrouiller la

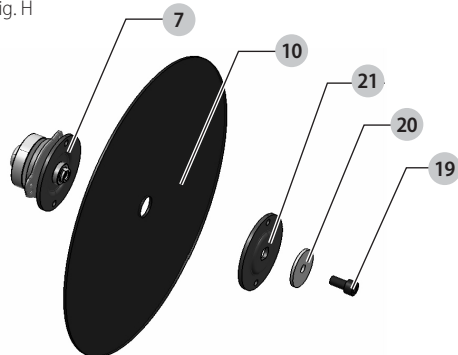
meule. Dévissez le boulon **19** dans le sens contraire des aiguilles d'une montre au centre de la meule abrasive avec une clé hexagonale 8 mm (5/16 po) **7**. Le boulon a un filetage à droite.

Fig. G



2. Retirez le boulon **19**, la rondelle **20**, la bride externe **21** et la vieille meule **10**.

Fig. H



3. Assurez-vous que les surfaces des brides sont propres et plates. Installez la nouvelle meule abrasive en inversant les étapes précédentes.
4. Pour une utilisation sécuritaire, vissez solidement le boulon **19** pour fixer solidement la meule abrasive **10** entre les brides interne **18** et externe **21**. Ne pas trop serrer le boulon **19**.

**⚠ AVERTISSEMENT :** vérifiez la surface de travail laquelle est déposée la scie à tronçonner lorsque vous mettez une nouvelle meule abrasive. Il est possible que la meule puisse entrer en contact avec **TOUT ÉLÉMENT OU STRUCTURE DÉPASSANT** la surface de travail (sous la base) lorsque le bras est entièrement baissé.

## Conseils d'utilisation pour des coupes plus précises

- Laissez la meule faire la coupe. Une force excessive entraînera l'éroussement de la meule réduisant l'efficacité de la coupe et/ou la déviation entraînant des coupes imprécises.
- Ajustez bien l'angle du guide.

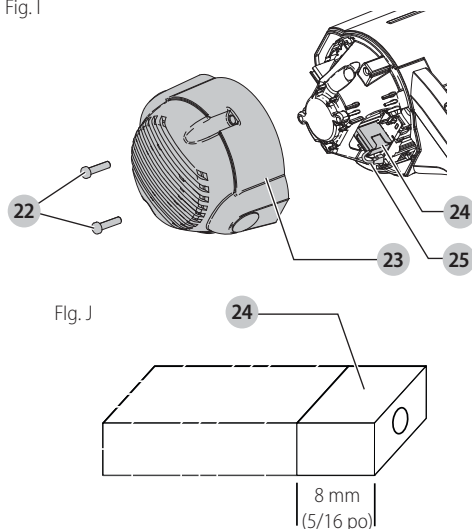
- Assurez-vous que le matériau est déposé à plat contre la base.
- Serrez bien le matériau afin d'éviter le mouvement et la vibration.

## Inspection et remplacement des brosses du moteur (Fig. I, J)

ASSUREZ-VOUS QUE L'OUTIL EST DÉBRANCHÉ AVANT D'INSPECTER LES BROSSES. Les brosses doivent être régulièrement inspectées pour l'usure. Pour inspecter les brosses, dévissez les deux vis du capuchon **22** et retirez le capuchon **23**. Pour retirer chaque brosse **24**, débranchez d'abord le branchement de la cosse de dérivation **25**. Puis sortez soigneusement le ressort du porte-brosse et retirez la brosse. Les brosses doivent glisser librement dans le porte-brosse. Si les brosses sont usées jusqu'à 8 mm (5/16 po) comme illustré dans la Figure I, elles doivent être remplacées.

Pour réinstaller chaque brosse, sortez soigneusement le ressort du porte-brosse, insérez la brosse et remettez le ressort en vous assurant d'appuyer sur la brosse et qu'il ne touche pas le porte-brosse. Rebranchez la cosse de dérivation, puis replacez le capuchon et les deux vis.

Fig. I



## MAINTENANCE

- AVERTISSEMENT :** pour réduire le risque de blessures graves, éteindre l'outil et retirer le débrancher avant d'effectuer tout réglage et d'enlever ou d'installer tout accessoire. Un démarrage accidentel peut provoquer des blessures.

## Nettoyage

- AVERTISSEMENT :** enlever les saletés et la poussière hors des événements au moyen d'air comprimé propre et sec, au moins une fois par semaine. Pour minimiser le risque de blessure aux yeux, toujours porter une

protection oculaire conforme à la norme ANSI Z87.1 lors du nettoyage.

- AVERTISSEMENT :** ne jamais utiliser de solvants ni d'autres produits chimiques puissants pour nettoyer les pièces non métalliques de l'outil. Ces produits chimiques peuvent affaiblir les matériaux de plastique utilisés dans ces pièces. Utiliser un chiffon humecté uniquement d'eau et de savon doux. Ne jamais laisser de liquide pénétrer dans l'outil et n'immerger aucune partie de l'outil dans un liquide.

## Accessoires

- AVERTISSEMENT :** puisque les accessoires autres que ceux offerts par DEWALT n'ont pas été testés avec ce produit, leur utilisation pourrait s'avérer dangereuse. Pour réduire le risque de blessures, utiliser exclusivement les accessoires DEWALT recommandés avec le présent produit.

Les accessoires recommandés pour cet outil sont vendus séparément au centre de service de votre région. Pour obtenir de l'aide concernant l'achat d'un accessoire, communiquer avec DEWALT Industrial Tool Co., 701 East Joppa Road, Towson, MD 21286 aux États-Unis; composer le 1 800 433-9258 (1 800 4-DEWALT) ou visiter notre site Web : [www.dewalt.com](http://www.dewalt.com).

## Réparations

- AVERTISSEMENT :** pour assurer la SÉCURITÉ et la FIABILITÉ du produit, les réparations, l'entretien et l'ajustement doivent être effectués par un centre de services de l'usine DEWALT ou un centre de services autorisé DEWALT. Utilisez toujours des pièces de remplacement identiques.

## Registre en ligne

Merci pour votre achat. Enregistrez dès maintenant votre produit :

- **RÉPARATIONS SOUS GARANTIE :** cette carte remplie vous permettra de vous prévaloir du service de réparations sous garantie de façon plus efficace dans le cas d'un problème avec le produit.
- **CONFIRMATION DE PROPRIÉTÉ :** en cas de perte provoquée par un incendie, une inondation ou un vol, cette preuve de propriété vous servira de preuve auprès de votre compagnie d'assurances.
- **SÉCURITÉ :** l'enregistrement de votre produit nous permettra de communiquer avec vous dans l'éventualité peu probable de l'envoi d'un avis de sécurité régi par la loi fédérale américaine de la protection des consommateurs.

Registre en ligne à [www.dewalt.com/register](http://www.dewalt.com/register).

## Garantie limitée de trois ans

Pour les conditions de la garantie, consultez le site <https://www.dewalt.com/support/warranty>.

Pour demander une copie écrite des conditions de la garantie, contactez : Service à la clientèle chez DEWALT Industrial Tool Co., 701 East Joppa Road, Towson, MD 21286 ou appelez le 1-800-4-DEWALT (1-800-433-9258).

## **FRANÇAIS**

**AMÉRIQUE LATINE :** La présente garantie ne s'applique pas aux produits vendus en Amérique latine. Pour les produits vendus en Amérique latine, consultez les renseignements sur la garantie particulière au pays comprise dans l'emballage, appelez l'entreprise locale ou consultez le site Web pour les renseignements complets sur la garantie.

**REMPLACEMENT DES ÉTIQUETTES D'AVERTISSEMENT GRATUIT :** Si vos étiquettes d'avertissement deviennent illisibles ou sont manquantes, appelez au 1-800-4-DEWALT (1-800-433-9258) pour un remplacement gratuit.

## Definiciones: Símbolos y Palabras de Alerta de Seguridad

Este manual de instrucciones utiliza los siguientes símbolos y palabras de alerta de seguridad para alertarle de situaciones peligrosas y del riesgo de lesiones corporales o daños materiales.

**!** **PELIGRO:** Indica una situación de peligro inminente que, si no se evita, provocará **la muerte o lesiones graves**.

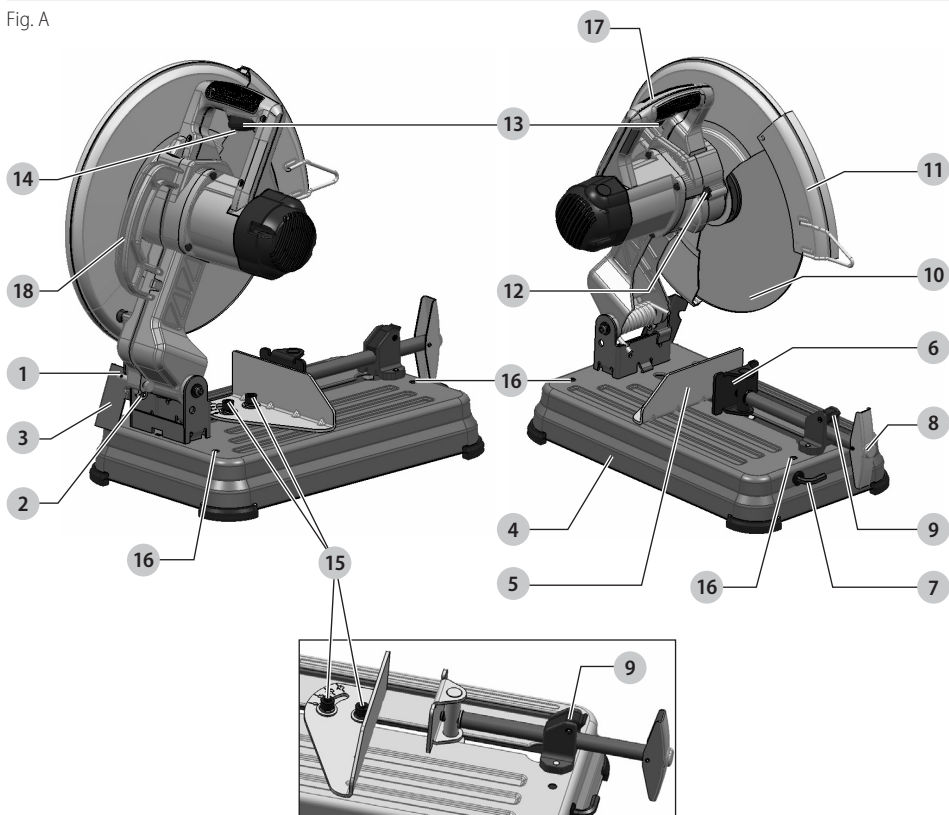
**!** **ADVERTENCIA:** Indica una situación de peligro potencial que, si no se evita, **podría provocar la muerte o lesiones graves**.

**!** **ATENCIÓN:** Indica una situación de peligro potencial que, si no se evita, **posiblemente provocaría lesiones leves o moderadas**.

**!** (Utilizado sin palabras) indica un mensaje de seguridad relacionado.

**AVISO:** Se refiere a una práctica **no relacionada a lesiones corporales** que de no evitarse **puede resultar en daños a la propiedad**.

Fig. A



- 1 Pasador de bloqueo
- 2 Tornillo de deflector de chispa
- 3 Deflector de chispa
- 4 Base
- 5 Cerca
- 6 Prensa
- 7 Llave hexagonal de 8 mm (5/16")
- 8 Manivela
- 9 Palanca de prensa

- 10 Rueda
- 11 Protección
- 12 Bloqueo de husillo
- 13 Interruptor de gatillo
- 14 Palanca de bloqueo de apagado
- 15 Pernos de cerca
- 16 Orificios de montaje
- 17 Manija de operación
- 18 Manija de transporte

**!** **ADVERTENCIA:** Lea todas las advertencias de seguridad e instrucciones. El incumplimiento de las advertencias e instrucciones puede provocar descargas eléctricas, incendios o lesiones graves.

**!** **ADVERTENCIA:** Para reducir el riesgo de lesiones, lea el manual de instrucciones.

Si tiene alguna duda o algún comentario sobre ésta u otra herramienta DEWALT, llámenos al número gratuito: 1-800-4-DEWALT (1-800-433-9258).

## ADVERTENCIAS GENERALES DE SEGURIDAD PARA HERRAMIENTAS ELÉCTRICAS



**ADVERTENCIA:** Lea todas las advertencias de seguridad, instrucciones, ilustraciones y especificaciones incluidas con esta herramienta eléctrica. La falla en seguir todas las instrucciones siguientes puede resultar en descarga eléctrica, incendio y/o lesiones serias.

### CONSERVE TODAS LAS ADVERTENCIAS E INSTRUCCIONES PARA FUTURAS CONSULTAS

El término "herramienta eléctrica" incluido en las advertencias hace referencia a las herramientas eléctricas operadas con corriente (con cable eléctrico) o a las herramientas eléctricas operadas con baterías (inalámbricas).

#### 1) Seguridad en el Área de Trabajo

- a) **Mantenga el área de trabajo limpia y bien iluminada.** Las áreas abarrotadas y oscuras propician accidentes.
- b) **No opere las herramientas eléctricas en atmósferas explosivas, como ambientes donde haya polvo, gases o líquidos inflamables.** Las herramientas eléctricas originan chispas que pueden encender el polvo o los vapores.
- c) **Mantenga alejados a los niños y a los espectadores de la herramienta eléctrica en funcionamiento.** Las distracciones pueden provocar la pérdida de control.

#### 2) Seguridad Eléctrica

- a) **Los enchufes de la herramienta eléctrica deben adaptarse al tomacorriente. Nunca modifique el enchufe de ninguna manera. No utilice ningún enchufe adaptador con herramientas eléctricas con conexión a tierra.** Los enchufes no modificados y que se adaptan a los tomacorrientes reducirán el riesgo de descarga eléctrica.
- b) **Evite el contacto corporal con superficies con descargas a tierra como, por ejemplo, tuberías, radiadores, cocinas eléctricas y refrigeradores.** Existe mayor riesgo de descarga eléctrica si su cuerpo está puesto a tierra.
- c) **No exponga las herramientas eléctricas a la lluvia o a condiciones de humedad.** Si entra agua a una herramienta eléctrica, aumentará el riesgo de descarga eléctrica.
- d) **No maltrate el cable. Nunca utilice el cable para transportar, tirar o desenchar la herramienta eléctrica. Mantenga el cable alejado del calor, el aceite, los bordes filosos y las piezas móviles.** Los cables dañados o enredados aumentan el riesgo de descarga eléctrica.
- e) **Al operar una herramienta eléctrica en el exterior, utilice un cable prolongador adecuado para tal uso.** Utilice un cable adecuado para uso en exteriores a fin de reducir el riesgo de descarga eléctrica.

- f) **Si el uso de una herramienta eléctrica en un lugar húmedo es imposible de evitar, utilice un suministro protegido con un interruptor de circuito por falla a tierra (GFCI).** El uso de un GFCI reduce el riesgo de descargas eléctricas.

#### 3) Seguridad Personal

- a) **Permanezca alerta, controle lo que está haciendo y utilice el sentido común cuando emplee una herramienta eléctrica. No utilice una herramienta eléctrica si está cansado o bajo el efecto de drogas, alcohol o medicamentos.** Un momento de descuido mientras se opera una herramienta eléctrica puede provocar lesiones personales graves.
- b) **Utilice equipos de protección personal. Siempre utilice protección para los ojos.** En las condiciones adecuadas, el uso de equipos de protección, como máscaras para polvo, calzado de seguridad antideslizante, cascos o protección auditiva, reducirá las lesiones personales.
- c) **Evite el encendido por accidente. Asegúrese de que el interruptor esté en la posición de apagado antes de conectarlo a la fuente de energía o paquete de baterías, o antes de levantar o transportar la herramienta.** Transportar herramientas eléctricas con el dedo apoyado en el interruptor o enchufar herramientas eléctricas con el interruptor en la posición de encendido puede propiciar accidentes.
- d) **Retire la clavija de ajuste o la llave de tuercas antes de encender la herramienta eléctrica.** Una llave de tuercas o una clavija de ajuste que quede conectada a una pieza giratoria de la herramienta eléctrica puede provocar lesiones personales.
- e) **No se estire. Conserve el equilibrio y párese adecuadamente en todo momento.** Esto permite un mejor control de la herramienta eléctrica en situaciones inesperadas.
- f) **Use la vestimenta adecuada. No use ropas holgadas ni joyas. Mantenga el cabello, la ropa y los guantes alejados de las piezas en movimiento.** Las ropas holgadas, las joyas o el cabello largo pueden quedar atrapados en las piezas en movimiento.
- g) **Si se suministran dispositivos para la conexión de accesorios con fines de recolección y extracción de polvo, asegúrese de que estén conectados y que se utilicen correctamente.** El uso de dispositivos de recolección de polvo puede reducir los peligros relacionados con el polvo.
- h) **No permita que la familiaridad obtenida a partir del uso frecuente de herramientas le permitan volverse descuidado e ignorar los principios de seguridad de la herramienta.** Una acción descuidada puede causar lesiones severas en una fracción de segundo.

#### 4) Uso y Mantenimiento de la Herramienta Eléctrica

- a) **No fuerce la herramienta eléctrica. Utilice la herramienta eléctrica correcta para el trabajo que realizará.** Si se la utiliza a la velocidad para la que fue diseñada, la herramienta eléctrica correcta permite trabajar mejor y de manera más segura.
- b) **No utilice la herramienta eléctrica si no puede encenderla o apagarla con el interruptor.** Toda herramienta eléctrica que no pueda ser controlada mediante el interruptor es peligrosa y debe repararse.
- c) **Desconecte el enchufe de la fuente de alimentación y/o retire la batería, o paquete si es desmontable, de la herramienta eléctrica antes de realizar cualquier ajuste, cambiar accesorios o almacenar herramientas eléctricas.** Estas medidas de seguridad preventivas reducen el riesgo de encender la herramienta eléctrica en forma accidental.
- d) **Guarde la herramienta eléctrica que no esté en uso fuera del alcance de los niños y no permita que otras personas no familiarizadas con ella o con estas instrucciones operen la herramienta.** Las herramientas eléctricas son peligrosas si son operadas por usuarios no capacitados.
- e) **Dé mantenimiento a las herramientas eléctricas y accesorios. Revise que no haya piezas en movimiento mal alineadas o trabadas, piezas rotas o cualquier otra situación que pueda afectar el funcionamiento de la herramienta eléctrica. Si encuentra daños, haga reparar la herramienta eléctrica antes de utilizarla.** Se producen muchos accidentes a causa de las herramientas eléctricas que carecen de un mantenimiento adecuado.
- f) **Mantenga las herramientas de corte afiladas y limpias.** Las herramientas de corte con mantenimiento adecuado y con los bordes de corte afilados son menos propensas a trabarse y son más fáciles de controlar.
- g) **Utilice la herramienta eléctrica, los accesorios y las brocas de la herramienta, etc. de acuerdo con estas instrucciones y teniendo en cuenta las condiciones de trabajo y el trabajo que debe realizarse.** El uso de la herramienta eléctrica para operaciones diferentes de aquéllas para las que fue diseñada podría originar una situación peligrosa.
- h) **Mantenga las manijas y superficies de sujeción secas, limpias y libres de aceite y grasa.** Las manijas y superficies de sujeción resbalosas no permiten el manejo y control seguros de la herramienta en situaciones inesperadas.

#### 5) Mantenimiento

- a) **Solicite a una persona calificada en reparaciones que realice el mantenimiento de su herramienta eléctrica y que sólo utilice piezas de repuesto idénticas.** Esto garantizará la seguridad de la herramienta eléctrica.

## Instrucciones de Seguridad para Máquinas de Corte

### 1) Advertencias de Seguridad de Máquina de Corte

- a) **Colóquese a usted y a transeúntes lejos del plano de la rueda giratoria.** La protección ayuda a proteger al operador contra fragmentos rotos de la rueda y contacto accidental con la rueda.
- b) **Utilice únicamente ruedas de corte reforzadas unidas para su herramienta eléctrica.** Sólo porque un accesorio se puede conectar a su herramienta eléctrica, no garantiza una operación segura.
- c) **La velocidad nominal del accesorio debe ser por lo menos igual a la velocidad máxima marcada en la herramienta eléctrica.** Los accesorios que operen más rápido que su velocidad nominal pueden romperse y salir expulsados.
- d) **Las ruedas se deben usar sólo para las aplicaciones recomendadas. Por ejemplo: no pula con el lado de una rueda de corte.** Las ruedas de corte abrasivas están diseñadas para pulido periférico, las fuerzas laterales aplicadas a estas ruedas pueden causar que se astillen.
- e) **Siempre use bridas de rueda sin daños que sean del tamaño correcto para su rueda seleccionada.** Las bridas de rueda adecuadas soportan la rueda reduciendo así la posibilidad de ruptura de la rueda.
- f) **El diámetro exterior y el espesor de su accesorio deben estar dentro de la capacidad nominal de su herramienta eléctrica.** Los accesorios de tamaño incorrecto no pueden guardarse o controlarse adecuadamente.
- g) **El tamaño de eje de las ruedas y bridas debe ajustarse adecuadamente al husillo de la herramienta eléctrica.** Las ruedas y bridas con orificios de eje que no coincidan con el hardware de montaje de la herramienta eléctrica quedarán desequilibrados, vibrarán excesivamente y pueden provocar la pérdida de control.
- h) **No use ruedas dañadas. Antes de cada uso, revise las ruedas respecto a rebabas y grietas. Si se deja caer la herramienta eléctrica o la rueda, revise respecto a daño o instale una rueda que no esté dañada. Después de revisar e instalar la rueda, colóquese usted y a los transeúntes lejos del plano de la rueda giratoria y opere la herramienta eléctrica en la velocidad sin carga máxima durante un minuto.** Las ruedas dañadas por lo general se romperán durante este tiempo de prueba.
- i) **Use equipo de protección personal. Dependiendo de la aplicación, use una protección facial, gafas de seguridad o gafas de seguridad. Conforme sea apropiado, use máscara contra polvo, protectores auditivos, guantes y un delantal de taller capaz de detener pequeños fragmentos abrasivos o piezas de trabajo.** La protección de

los ojos debe ser capaz de detener los desechos que sean expulsados generados por diversas operaciones. La máscara contra polvo o el respirador deben ser capaces de filtrar partículas generadas por su operación. La exposición prolongada al ruido de alta intensidad puede causar pérdida auditiva.

- j) **Mantenga a los transeúntes a una distancia segura del área de trabajo. Cualquier persona que ingrese al área de trabajo debe usar equipo de protección personal.** Los fragmentos de la pieza de trabajo o de una rueda rota pueden ser expulsados y causar lesiones más allá del área inmediata de operación.
- k) **Coloque el cable lejos del accesorio giratorio.** Si pierde el control, es posible que el cordón se corte o se enganche y que su mano o brazo se pueda jalar dentro de la rueda giratoria.
- l) **Limpie regularmente las rejillas de ventilación de la herramienta eléctrica.** El ventilador del motor puede extraer el polvo dentro del alojamiento y la acumulación excesiva de metal en polvo puede causar peligros eléctricos.
- m) **No opere la herramienta eléctrica cerca de materiales inflamables. No opere la herramienta eléctrica mientras esté colocada sobre una superficie combustible tal como madera.** Las chispas podrían encender estos materiales.
- n) **No use accesorios que requieran refrigerantes líquidos.** El uso de agua u otros líquidos refrigerantes puede provocar electrocución o descarga eléctrica.
- o) **Revise las partes dañadas.** Antes del uso adicional de la herramienta, se debe revisar cuidadosamente una protección u otra parte que esté dañada para determinar que funcionará adecuadamente y realizará su función pretendida—revise la alineación de las partes móviles, atascamiento de partes móviles, ruptura de partes, montaje y cualquier otra condición que pueda afectar su operación. Una protección u otra parte que esté dañada se debe reparar o reemplazar adecuadamente.

## 2) Advertencias de retroceso y relacionadas

El retroceso es una reacción repentina a una rueda giratoria atrapada o atorada. El atrapamiento o atascamiento causa un paro rápido de la rueda giratoria que a su vez causa que la unidad de corte sin control sea forzada hacia arriba hacia el operador.

Por ejemplo, si una rueda abrasiva se atasca o atora por la pieza de trabajo, el borde de la rueda que entra en el punto de atrapamiento puede introducirse en la superficie del material causando que la rueda suba o retroceda. Las ruedas abrasivas también pueden romperse bajo estas condiciones. El retroceso es el resultado de un mal uso de la herramienta eléctrica y/o procedimientos o condiciones de operación incorrectos y se puede evitar tomando las precauciones adecuadas que se detallan a continuación.

- a) **Mantenga un agarre firme sobre la herramienta eléctrica y coloque su cuerpo y brazo para permitirle resistir las fuerzas de retroceso.** El operador puede controlar las fuerzas de retroceso ascendente, si se toman las precauciones adecuadas.
- b) **No coloque su cuerpo en línea con la rueda giratoria.** Si ocurre retroceso, impulsará la unidad de corte hacia arriba hacia el operador.
- c) **No sujete una cadena de sierra, cuchilla de tallado de madera, rueda de diamante segmentada o cuchilla de sierra dentada.** Tales cuchillas crean retrocesos frecuentes y pérdida de control.
- d) **No "atasque" la rueda o aplique una presión excesiva. No intente hacer una profundidad de corte excesiva.** El exceso de esfuerzo de la rueda aumenta la carga y la susceptibilidad a la torsión o adhesión de la rueda en el corte y la posibilidad de retroceso o rotura de la rueda.
- e) **Cuando la rueda está adherida o al interrumpir un corte por cualquier motivo, apague la herramienta eléctrica y sostenga la unidad de corte inmóvil hasta que la rueda se detenga por completo. Nunca intente retirar la rueda de corte del corte mientras la rueda está en movimiento, de lo contrario, podría producirse un retroceso.** Investigue y tome medidas correctivas para eliminar la causa de la adhesión de la rueda.
- f) **No reinicie la operación de corte en la pieza de trabajo. Deje que la rueda alcance la velocidad máxima y vuelva a ingresar cuidadosamente al corte.** La rueda se puede adherir, subir o retroceder si la herramienta eléctrica se reinicia dentro de la pieza de trabajo.
- g) **Apoye cualquier pieza de trabajo de gran tamaño para minimizar el riesgo de atrapamiento y retrocesos.** Las piezas grandes tienden a hundirse por su propio peso. Los soportes deben colocarse debajo de la pieza de trabajo cerca de la línea de corte y cerca del borde de la pieza de trabajo en ambos lados de la rueda.

## Instrucción Adicional de Seguridad



**ADVERTENCIA:** Use **SIEMPRE** lentes de seguridad. Los anteojos de diario **NO SON** lentes de seguridad. Utilice además una cubrebocas o mascarilla antipolvo si la operación de corte genera demasiado polvo. **SIEMPRE LLEVE EQUIPO DE SEGURIDAD CERTIFICADO:**

- protección ocular ANSI Z87.1 (CAN/CSA Z94.3),
- protección auditiva ANSI S12.6 (S3.19),
- protección respiratoria NIOSH/OSHA/MSHA.



**ADVERTENCIA:** Algunas partículas de polvo generadas al lijar, serrar, esmerilar y taladrar con herramientas eléctricas, así como al realizar otras actividades de construcción, contienen químicos que el Estado de California sabe que pueden producir cáncer, defectos congénitos u otras afecciones reproductivas. Ejemplos de estos químicos son:



- plomo de algunas pinturas en base a plomo,
- polvo de sílice proveniente de ladrillos y cemento y otros productos de albañilería, y
- arsénico y cromo provenientes de madera tratada químicamente.

Su riesgo de exposición a estos químicos varía, dependiendo de la frecuencia con la cual realiza usted este tipo de trabajo. Para reducir su exposición a estas sustancias químicas trabaje en una zona bien ventilada y llevando equipos de seguridad aprobados, como mascarillas antipolvo especialmente diseñadas para filtrar partículas microscópicas.

- **Evite el contacto prolongado con polvo generado por el lijado, aserrado, pulido, taladrado y otras actividades de construcción. Vista ropas protectoras y lave las áreas de la piel expuestas con agua y jabón.** Si permite que el polvo se introduzca en la boca u ojos o quede sobre la piel, puede favorecer la absorción de productos químicos peligrosos.



**ADVERTENCIA:** La utilización de esta herramienta puede generar polvo o dispersarlo, lo que podría causar daños graves y permanentes al sistema respiratorio, así como otras lesiones. Siempre use protección respiratoria aprobada por NIOSH (Instituto Nacional de Seguridad y Salud en el Trabajo) u OSHA (Administración de Seguridad y Salud en el Trabajo) apropiada para la exposición al polvo. Dirija las partículas en dirección contraria a la cara y el cuerpo.



**ADVERTENCIA:** Siempre lleve la debida protección auditiva personal en conformidad con ANSI S12.6 (S3.19) durante el uso de esta herramienta. Bajo algunas condiciones y duraciones de uso, el ruido producido por este producto puede contribuir a la pérdida auditiva.

- **Los orificios de ventilación suelen cubrir piezas en movimiento, por lo que también se deben evitar.** Las piezas en movimiento pueden atrapar prendas de vestir sueltas, joyas o el cabello largo.
- **Los hilos del alargador deben ser de un calibre apropiado (AWG o American Wire Gauge) para su seguridad.** Mientras menor sea el calibre del hilo, mayor la capacidad del cable. Es decir, un hilo calibre 16 tiene mayor capacidad que uno de 18. Un cable de un calibre insuficiente causará una caída en la tensión de la línea dando por resultado una pérdida de energía y sobrecalentamiento. Cuando se utilice más de un alargador para completar el largo total, asegúrese que los hilos de cada alargador tengan el calibre mínimo. La tabla siguiente muestra el tamaño correcto a utilizar, dependiendo de la longitud del cable y del amperaje nominal de la placa de identificación. Si tiene dudas sobre cuál calibre usar, use un calibre mayor. Cuanto menor sea el número del calibre, más resistente será el cable.

**Calibre mínimo de conjuntos de cables**

Voltios	Longitud total del cable en pies (metros)				
	120 V	25 (7,6)	50 (15,2)	100 (30,5)	150 (45,7)
240 V	50 (15,2)	100 (30,5)	200 (61,0)	300 (91,4)	
Amperaje nominal		AWG			
Más de	Más de				
0	6	18	16	16	14
6	10	18	16	14	12
10	12	16	16	14	12
12	16	14	12	No recomendado	

La etiqueta de su herramienta puede incluir los siguientes símbolos. A continuación se indican los símbolos y sus definiciones:

- V ..... voltios
- Hz ..... hertz
- min ..... minutos
- or DC ..... direct current
- Ⓢ ..... Construcción de Clase I (tierra)
- ... /min ..... por minuto
- BPM ..... golpes por minuto
- IPM ..... impactos por minuto
- RPM ..... revoluciones por minuto
- sfpm ..... pies de superficie por minuto
- SPM ..... pasadas por minuto
- A ..... amperios
- W ..... vatios
- ~ or AC ..... corriente alterna
- ~ or AC/DC ..... corriente alterna o directa
- Ⓢ ..... Construcción de Clase II (doble aislamiento)
- n<sub>0</sub> ..... velocidad sin carga
- n ..... velocidad nominal
- Ⓢ ..... terminal de conexión a tierra
- ⚠ ..... símbolo de advertencia de seguridad
- ⚠ ..... radiación visible
- Ⓢ ..... protección respiratoria
- Ⓢ ..... protección ocular
- Ⓢ ..... protección auditiva
- 📖 ..... lea toda la documentación

**GUARDE ESTAS INSTRUCCIONES PARA VOLVER A CONSULTAR EN EL FUTURO**

**Motor**

Asegúrese de que la fuente de energía concuerde con lo que se indica en la placa. Un descenso en el voltaje de más del 10% producirá una pérdida de potencia y sobrecalentamiento. Todas las herramientas DeWALT son probadas en fábrica; si esta herramienta no funciona, verifique el suministro eléctrico.

**Conexión a un Suministro de Energía**

Conecte este producto a un receptáculo polarizado de 120V, 15A. Este aparato tiene un enchufe polarizado (una clavija es más ancha que la otra). Este enchufe se ajustará a un tomacorriente polarizado sólo de una forma. Si el enchufe no se conecta al tomacorriente, invierta el enchufe. Si todavía no se conecta, póngase en contacto con un electricista calificado para instalar el tomacorriente adecuado.



**ADVERTENCIA:** No cambie el enchufe de ninguna manera. Si el cable eléctrico se llega a dañar, lleve

la herramienta a un centro de servicio autorizado DeWALT para reparación o reemplazo.

## COMPONENTES (FIG. A)

**⚠️ ADVERTENCIA:** Nunca modifique la herramienta eléctrica, ni tampoco ninguna de sus piezas. Podría producir lesiones corporales o daños.

Consulte la Figura A al principio de este manual para obtener una lista completa de los componentes.

### Uso Debido

Su sierra de corte se ha diseñado para el corte de materiales de acero de diversas formas. Está diseñada sólo para uso con abrasivos reforzados. Las cuchillas de diamante o TCT no deben usarse con esta unidad.

**NO** utilice la herramienta en condiciones de humedad o en presencia de líquidos o gases inflamables.

Su sierra de corte es una herramienta eléctrica profesional.

**NO** permita que los niños toquen la herramienta. Si el operador no tiene experiencia operando esta herramienta, su uso deberá ser supervisado.

## ESPECIFICACIONES

	D28730
Voltaje	120V~
Frecuencia	60 Hz
Amps	15
Velocidad sin carga	4200/min (rpm)
Diámetro de rueda	355 mm (14")
Espesor de rueda	3.0 mm (.12")
Tamaño de eje	25.4 mm (1")
Peso neto	16 kg (35 lbs)

## MONTAJE Y AJUSTES

**⚠️ ADVERTENCIA:** Para reducir el riesgo de lesiones personales graves, apague la herramienta y desconéctela de la fuente de alimentación antes de realizar ajustes o de retirar/installar dispositivos o accesorios. Un arranque accidental podría causar lesiones.

### Capacidad de Corte


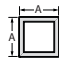
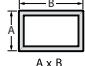

La amplia apertura de la prensa y el alto punto de pivote brindan capacidad de corte para muchas piezas grandes. Use la tabla de capacidad de corte para determinar el tamaño máximo total de los cortes que se pueden hacer con una rueda nueva.

**⚠️ ATENCIÓN:** CIERTOS OBJETOS GRANDES, CIRCULARES O DE FORMA IRREGULAR PUEDEN REQUERIR MEDIOS DE SUJECIÓN ADICIONALES SI NO SE PUEDEN SOSTENER EN FORMA SEGURA.

**⚠️ ATENCIÓN:** NO CORTE MAGNESIO O MADERA CON ESTA HERRAMIENTA.

### Máxima Capacidad de Corte

**NOTA:** La capacidad que se muestra en la tabla asume que no hay desgaste de la rueda y que la posición de la cerca es óptima.

Forma de pieza de trabajo				
Ángulo de corte de 90°	A = 125 mm (4-7/8")	A = 115 mm (4-1/2")	115 mm x 130 mm (4-1/2" x 5-1/8")	A = 120 mm (4-3/4")
Ángulo de corte de 45°	A = 115 mm (4-1/2")	A = 98 mm (3-13/16")	95 mm x 105 mm (3-3/4" x 4-1/8")	A = 105 mm (4-1/8")

## OPERACIÓN

**⚠️ ADVERTENCIA:** Para reducir el riesgo de lesiones personales graves, apague la herramienta y desconéctela de la fuente de alimentación antes de realizar ajustes o de retirar/installar dispositivos o accesorios. Un arranque accidental podría causar lesiones.

### Posición adecuada de las manos (Fig. B)

**⚠️ ADVERTENCIA:** Para reducir el riesgo de lesión personal grave, tenga **SIEMPRE** las manos en una posición adecuada como se muestra.

**⚠️ ADVERTENCIA:** Para reducir el riesgo de lesión personal grave, sujete **SIEMPRE** bien en caso de que haya una reacción repentina.

La posición de mano adecuada requiere una mano en la manija de operación **17**.

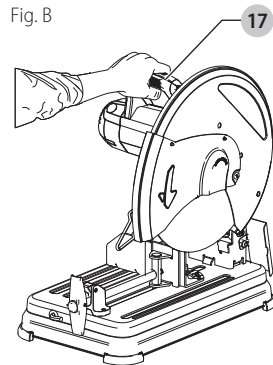


Fig. B

### Transporte de Sierra de Corte (Fig. A)

Doble la unidad a la posición donde pueda transportar la sierra. Empuje el pasador de bloqueo **1** para bloquear el brazo hacia abajo. Siempre transporte la sierra con la manija de transporte **18**.

### Desbloqueo (Fig. A)

Para desbloquear la herramienta y levantar la cabeza, presione ligeramente el brazo del motor y saque el pasador de bloqueo **1**. El brazo del motor girará hacia arriba.

### Montaje (Fig. A)

**⚠️ ATENCIÓN:** La herramienta debe apoyarse en una superficie estable, nivelada y antideslizante para evitar movimientos inesperados durante la operación.

1. Perfore orificios a través de la superficie de trabajo que alineen la base de la sierra.
2. Inserte dos pernos de 5/16" (M10) a través de los orificios de montaje **16** en la base y a través de los orificios en la superficie de montaje. La longitud aproximada de los tornillos debe ser el espesor de la superficie de montaje más 102 mm (4").

### Ajuste del Deflector de Chispas (Fig. A)

**!** **ADVERTENCIA:** No toque el deflector de chispa durante o inmediatamente después de la operación, ya que se calienta y puede causar quemaduras en la piel.

Para desviar mejor las chispas de las personas y materiales circundantes, afloje el tornillo del deflector de chispas **2**, ajuste el deflector de chispas **3** y vuelva a apretar el tornillo. No permita que el juego de cables entre en contacto con el deflector o las chispas, ya que pueden producirse daños en el juego de cables.

### Interruptor de Gatillo de Bloqueo en Apagado (Fig. A)

Para encender la sierra, empuje la palanca de bloqueo **14** hacia la izquierda, luego presione el interruptor gatillo de bloqueo en apagado **13**. La sierra funcionará mientras se presiona el interruptor. Permita que la cuchilla gire hasta la velocidad máxima de funcionamiento antes de realizar el corte. Para apagar la sierra, libere el interruptor. Mantenga las manos y el material alejados de la rueda hasta que se desacelere hasta detenerse. Permita que la hoja se detenga antes de levantar la cabeza de la sierra. No hay ningún preparativo para bloquear el interruptor en encendido.

### Sujeción y Soporte del Material (Fig. C, D)

- Los ángulos se sujetan y se cortan mejor con ambas patas apoyadas contra la base.
- Se puede usar un bloque espaciador ligeramente más angosto que la pieza de trabajo para aumentar el uso de la rueda (Fig. C).
- Las piezas de trabajo largas se deben soportar por un bloque para que quede nivelado con la parte superior de la base (Fig. D). El extremo cortado debe poder caer para evitar el atascamiento de la rueda.

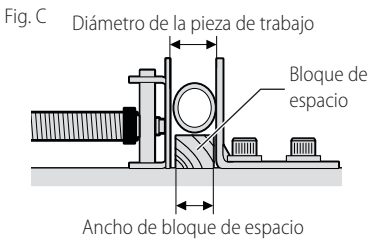
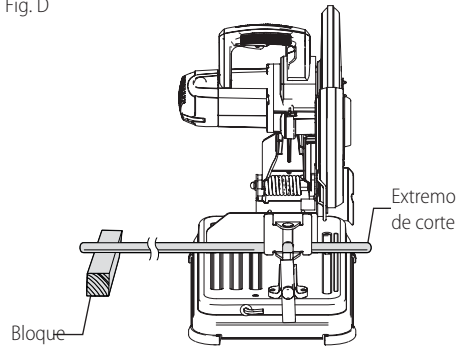


Fig. D



### Operación de la Prensa (Fig. A)

La prensa **6** tiene una función de desplazamiento rápido. Para soltar la prensa cuando esté sujeta correctamente, gire la manivela **8** en sentido contrario a las manecillas del reloj una o dos veces para eliminar la presión de sujeción. Levante la palanca de la prensa **9**. Jale el ensamble de la manivela hasta donde lo desee. La prensa puede empujarse hacia adelante hacia el trabajo sin usar la manivela. Baje la palanca de la prensa y después apriete la prensa **6** sobre el trabajo con la manivela.

### Operación de Cerca (Fig. A, E, F)

**!** **ADVERTENCIA:** Apague y desconecte la herramienta antes de realizar ajustes o retirar o instalar conexiones o accesorios. Asegúrese que el interruptor de gatillo esté en la posición OFF (apagado).

La cerca **5** se puede ajustar de dos maneras: para cambiar el ángulo de corte deseado y para cambiar el espaciamiento entre la cerca y la prensa.

### Para Cambiar el Ángulo de Corte Deseado

Use la llave hexagonal de 8 mm (5/16") provista **7** para aflojar (no retirar) los dos pernos de la cerca **15**. Alinee la línea del indicador de ángulo deseado con la línea de ranura **26** en la base **4**. Apriete firmemente ambos pernos de la cerca, empuje el brazo hacia abajo hasta que la rueda se extienda hacia la base. Coloque un ángulo recto contra la rueda y ajuste la cerca contra el ángulo recto. Apriete firmemente ambos pernos de la cerca antes de usar. Al hacer un corte de inglete, la prensa **6** puede no sujetarse con seguridad, dependiendo del espesor de la pieza de trabajo y el ángulo de inglete. Se necesitarán otros dispositivos auxiliares (como resorte, barra o abrazaderas en C) para asegurar la pieza de trabajo a la cerca al hacer estos cortes.

Fig. E

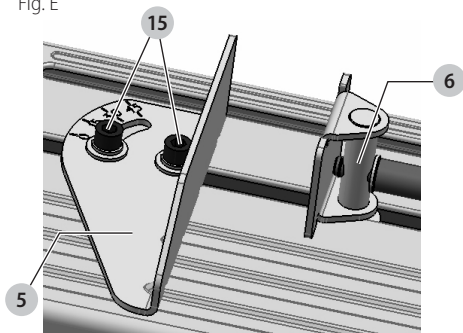
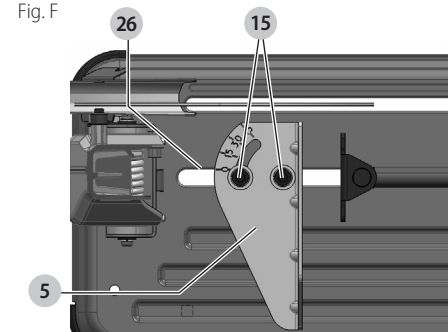
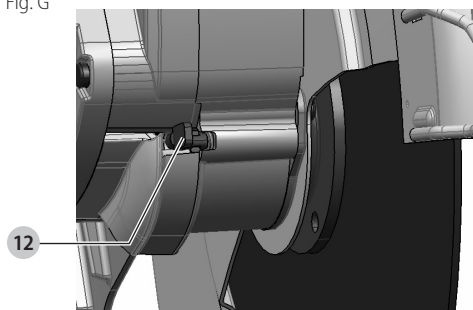


Fig. F



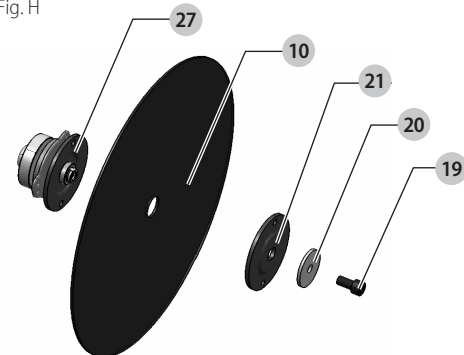
bloquear la rueda. Afloje el perno **19** en sentido contrario a las manecillas del reloj en el centro de la rueda abrasiva con la llave hexagonal de 8 mm (5/16") **7**. El perno tiene rosca a la derecha.

Fig. G



2. Retire el perno **19**, la arandela **20**, la brida exterior **21** y la rueda anterior **10**.

Fig. H



3. Asegúrese que las superficies de la brida manos estén limpias y planas. Instale la nueva rueda abrasiva invirtiendo los pasos anteriores.  
4. Para una operación segura, apriete firmemente el perno **19** para asegurar firmemente la rueda abrasiva **10** entre las bridas interna **18** y externa **21**. No apriete demasiado el perno **19**.

**ADVERTENCIA:** Verifique la superficie de trabajo sobre la que descansa la sierra de corte al reemplazarla con una nueva rueda abrasiva. Es posible que la rueda entre en contacto con **CUALQUIER ELEMENTO O ESTRUCTURA QUE SE EXTIENDE ARRIBA** de la superficie de trabajo (debajo de la base) cuando el brazo esté completamente abajo.

## Extracción e Instalación de Ruedas (Fig. G, H)

**ADVERTENCIA:** Apague y desconecte la herramienta antes de realizar ajustes o retirar o instalar conexiones o accesorios. Asegúrese que el interruptor de gatillo esté en la posición OFF (apagado). No haga ningún ajuste mientras la sierra de corte esté en movimiento. No haga ningún ajuste mientras la sierra de corte está conectada al suministro de energía.

**ADVERTENCIA:** Utilice únicamente ruedas de corte reforzadas unidas para su herramienta eléctrica. Una rueda reforzada adherida se define como una rueda abrasiva que consiste en partículas abrasivas unidas entre sí con diversas sustancias específicamente para cortar materiales de acero.

**ADVERTENCIA:** Siempre use guantes cuando maneje las ruedas.

**ADVERTENCIA:** Maneje y guarde todas las ruedas abrasivas cuidadosamente para evitar daño a partir de choque térmico, calor, daño mecánico, etc. Guarde en una área protegida seca libre de alta humedad, temperaturas de congelamiento o cambios de temperatura extremos.

**ADVERTENCIA:** No golpee la rueda, y no use una rueda que se haya caído o sufrido un impacto. No utilice una rueda astillada, deformada o dañada.

1. Presione el bloqueo del husillo **12** y gire la rueda **10** con la mano hasta que la palanca de bloqueo de la rueda conecte la ranura en la brida interior **27** para

## Consejos de Operación para cortes más Precisos

- Permita que la rueda realice el corte. Una fuerza excesiva hará que la rueda se pula reduciendo la eficacia de corte y/o se desvíe, lo que ocasionará cortes imprecisos.
- Ajuste correctamente el ángulo de la cerca.
- Asegúrese que el material esté plano sobre la base.

- Sujete correctamente el material para evitar movimientos y vibraciones.

## Inspección y Reemplazo de Escobilla del Motor (Fig. I, J)

ASEGÚRESE QUE LA HERRAMIENTA ESTÉ DESCONECTADA ANTES DE REVISAR LAS ESCOBILLAS. Las escobillas deben revisarse regularmente para detectar el desgaste. Para revisar las escobillas, desatornille los dos tornillos de la tapa **22** y retire la tapa **23**. Para quitar cada escobilla **24**, primero desconecte la conexión de la terminal del cable de derivación **25**. Luego, con cuidado, saque el resorte de la escobilla de la caja de la escobilla y retire la escobilla. Las escobillas deben deslizarse libremente en la caja de escobillas. Si las escobillas se desgastan a 8 mm (5/16") como se muestra en la Figura I, deben reemplazarse. Para volver a instalar cada escobilla, retire con cuidado el resorte de la caja de la escobilla, inserte la escobilla y vuelva a colocar el resorte asegurándose que esté presionando la escobilla y que no toque la caja de la escobilla. Vuelva a conectar la terminal del cable de derivación, luego vuelva a colocar la tapa del extremo y los dos tornillos.

Fig. I

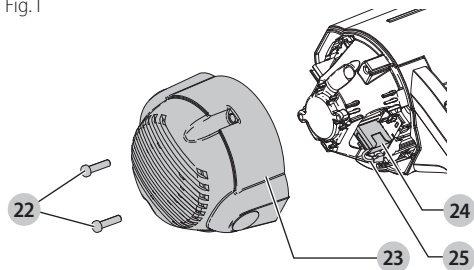
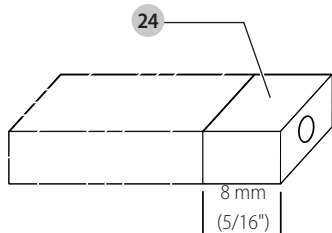


Fig. J



## MANTENIMIENTO

- ADVERTENCIA:** Para reducir el riesgo de lesiones personales graves, apague la herramienta y desconéctela de la fuente de alimentación antes de realizar ajustes o de retirar/instalar dispositivos o accesorios. Un arranque accidental podría causar lesiones.

## Limpieza

- ADVERTENCIA:** Sople la suciedad y el polvo de todos los conductos de ventilación con aire seco, al menos una vez por semana. Para reducir el riesgo de lesiones,

utilice siempre protección para los ojos aprobada ANSI Z87.1 al realizar esta tarea.



**ADVERTENCIA:** Nunca utilice solventes ni otros químicos abrasivos para limpiar las piezas no metálicas de la herramienta. Estos productos químicos pueden debilitar los materiales plásticos utilizados en estas piezas. Utilice un paño humedecido sólo con agua y jabón neutro. Nunca permita que penetre líquido dentro de la herramienta ni sumerja ninguna de las piezas en un líquido.

## Accesorios



**ADVERTENCIA:** Debido a que no se han probado con este producto otros accesorios que no sean los que ofrece DEWALT., el uso de dichos accesorios con esta herramienta podría ser peligroso. Para reducir el riesgo de lesiones, con este producto deben usarse sólo los accesorios recomendados por DEWALT.

Los accesorios que se recomiendan para utilizar con la herramienta están disponibles a un costo adicional en su distribuidor local o en un centro de mantenimiento autorizado. Si necesita ayuda para localizar algún accesorio, póngase en contacto con DEWALT Industrial Tool Co., 701 East Joppa Road, Towson, MD 21286, llame al 1-800-4-DEWALT (1-800-433-9258) o visite nuestro sitio web: [www.dewalt.com](http://www.dewalt.com).

## Reparaciones



**ADVERTENCIA:** Para garantizar la SEGURIDAD y CONFIABILIDAD del producto, las reparaciones, mantenimiento y ajuste deben ser realizados por un centro de servicio de fábrica DEWALT o un centro de servicio autorizado por DEWALT. Siempre use partes de reemplazo idénticas.

**Para reparación y servicio de sus herramientas eléctricas, favor de dirigirse al Centro de Servicio más cercano**

### CULIACAN, SIN

Blvd. Emiliano Zapata 5400-1 Poniente Col. (667) 717 89 99  
San Rafael

### GUADALAJARA, JAL

Av. La Paz #1779 - Col. Americana Sector (33) 3825 6978  
Juárez

### MEXICO, D.F.

Eje Central Lázaro Cárdenas No. 18 - Local (55) 5588 9377  
D. Col. Obrera

### MERIDA, YUC

Calle 63 #459-A - Col. Centro (999) 928 5038

### MONTERREY, N.L.

Av. Francisco I. Madero 831 Poniente - Col. (818) 375 23 13  
Centro

### PUEBLA, PUE

17 Norte #205 - Col. Centro (222) 246 3714

### QUERETARO, QRO

Av. San Roque 274 - Col. San Gregorio (442) 2 17 63 14

## ESPAÑOL

### SAN LUIS POTOSI, SLP

Av. Universidad 1525 - Col. San Luis (444) 814 2383

### TORREON, COAH

Bldv. Independencia, 96 Pte. - Col. Centro (871) 716 5265

### VERACRUZ, VER

Prolongación Díaz Mirón #4280 - Col. Remes (229) 921 7016

### VILLAHERMOSA, TAB

Constitución 516-A - Col. Centro (993) 312 5111

#### PARA OTRAS LOCALIDADES:

**Si se encuentra en México, por favor llame al  
(55) 5326 7100**

**Si se encuentra en U.S., por favor llame al  
1-800-433-9258 (1-800 4-DEWALT)**

## Póliza de Garantía

### IDENTIFICACIÓN DEL PRODUCTO:

Sello o firma del Distribuidor.

Nombre del producto: \_\_\_\_\_

Mod./Cat.: \_\_\_\_\_

Marca: \_\_\_\_\_

Núm. de serie: \_\_\_\_\_

(Datos para ser llenados por el distribuidor)

Fecha de compra y/o entrega del producto:

Nombre y domicilio del distribuidor donde se adquirió el producto:

Este producto está garantizado por un año a partir de la fecha de entrega, contra cualquier defecto en su funcionamiento, así como en materiales y mano de obra empleados para su fabricación. Nuestra garantía incluye la reparación o reposición del producto y/o componentes sin cargo alguno para el cliente, incluyendo mano de obra, así como los gastos de transportación razonablemente erogados derivados del cumplimiento de este certificado.

Para hacer efectiva esta garantía deberá presentar su herramienta y esta póliza sellada por el establecimiento comercial donde se adquirió el producto, de no contar con ésta, bastará la factura de compra.

## Excepciones

Esta garantía no será válida en los siguientes casos:

- Cuando el producto se hubiese utilizado en condiciones distintas a las normales;
- Cuando el producto no hubiese sido operado de acuerdo con el instructivo de uso que se acompaña;
- Cuando el producto hubiese sido alterado o reparado por personas distintas a las enlistadas al final de este certificado.

Anexo encontrará una relación de sucursales de servicio de fábrica, centros de servicio autorizados y franquiciados en la República Mexicana, donde podrá hacer efectiva su garantía y adquirir partes, refacciones y accesorios originales.

## Registro en línea

Gracias por su compra. Registre su producto ahora para:

- **SERVICIO EN GARANTÍA:** Si completa esta tarjeta, podrá obtener un servicio en garantía más eficiente, en caso de que exista un problema con su producto.
- **CONFIRMACIÓN DE PROPIEDAD:** En caso de una pérdida que cubra el seguro, como un incendio, una inundación o un robo, el registro de propiedad servirá como comprobante de compra.
- **PARA SU SEGURIDAD:** Si registra el producto, podremos comunicarnos con usted en el caso improbable que se deba enviar una notificación de seguridad conforme a la Federal Consumer Safety Act (Ley Federal de Seguridad de Productos para el Consumidor).

Registro en línea en [www.dewalt.com/register](http://www.dewalt.com/register).

## Garantía limitada de tres años

Para los términos de garantía, visite <https://www.dewalt.com/support/warranty>.

Para solicitar una copia escrita de los términos de garantía, póngase en contacto con: Servicio al Cliente en DEWALT Industrial Tool Co., 701 East Joppa Road, Towson, MD 21286 o llame al 1-800-4-DeWALT (1-800-433-9258).

**AMÉRICA LATINA:** Esta garantía no aplica a productos vendidos en América Latina. Para productos vendidos en América Latina, consulte la información de garantía específica contenida en el empaque, llame a la compañía local o consulte la página de Internet respecto a la información de garantía.

## REEMPLAZO GRATUITO DE ETIQUETA DE GARANTÍA:

Si sus etiquetas de advertencia se vuelven ilegibles o faltan, llame al 1-800-4-DeWALT (1-800-433-9258) para reemplazo gratuito.



DEWALT Industrial Tool Co., 701 East Joppa Road, Towson, MD 21286  
(JAN23) Part No. NA266962 D28730 Copyright © 2019, 2022, 2023 DEWALT

The following are trademarks for one or more DEWALT power tools: the yellow and black color scheme, the “D” shaped air intake grill, the array of pyramids on the handgrip, the kit box configuration, and the array of lozenge-shaped humps on the surface of the tool.