

If you have questions or comments, contact us.
 Pour toute question ou tout commentaire, nous contacter.
 Si tiene dudas o comentarios, contáctenos.

1-800-4-DEWALT • www.dewalt.com

INSTRUCTIVO DE OPERACIÓN, CENTROS DE SERVICIO Y PÓLIZA DE GARANTÍA. ADVERTENCIA: LEÁSE ESTE INSTRUCTIVO ANTES DE USAR EL PRODUCTO.

INSTRUCTION MANUAL
 GUIDE D'UTILISATION
 MANUAL DE INSTRUCCIONES



D26670
 Heavy-Duty Compact Router
 Toupie compacte de service intensif
 Rebajadora compacta para trabajo pesado

DEWALT Industrial Tool Co., 701 Joppa Road, Baltimore, MD 21286

(AUG06) Form No. A18652-00 D26670 Copyright © 2006 DEWALT

The following are trademarks for one or more DEWALT power tools: the yellow and black color scheme; the "D" shaped air intake grill; the array of pyramids on the handgrip; the kit box configuration; and the array of lozenge-shaped humps on the surface of the tool.

Definitions: Safety Guidelines

The definitions below describe the level of severity for each signal word. Please read the manual and pay attention to these symbols.

▲DANGER: Indicates an imminently hazardous situation which, if not avoided, will result in **death or serious injury**.

▲WARNING: Indicates a potentially hazardous situation which, if not avoided, could result in **death or serious injury**.

▲CAUTION: Indicates a potentially hazardous situation which, if not avoided, may result in **minor or moderate injury**.

CAUTION: Used without the safety alert symbol indicates a potentially hazardous situation which, if not avoided, may result in **property damage**.

IF YOU HAVE ANY QUESTIONS OR COMMENTS ABOUT THIS OR ANY DEWALT TOOL, CALL US TOLL FREE AT: 1-800-4-DEWALT (1-800-433-9258)

General Safety Rules

▲ WARNING! Read all instructions. Failure to follow all instructions listed below may result in electric shock, fire and/or serious injury. The term "power tool" in all of the warnings listed below refers to your mains-operated (corded) power tool or battery-operated (cordless) power tool.

SAVE THESE INSTRUCTIONS

1) WORK AREA SAFETY

- Keep work area clean and well lit. Cluttered or dark areas invite accidents.
- Do not operate power tools in explosive atmospheres, such as in the presence of flammable liquids, gases or dust. Power tools create sparks which may ignite the dust or fumes.
- Keep children and bystanders away while operating a power tool. Distractions can cause you to lose control.

2) ELECTRICAL SAFETY

- Power tool plugs must match the outlet. Never modify the plug in any way. Do not use any adapter plugs with earthed (grounded) power tools. Unmodified plugs and matching outlets will reduce risk of electric shock.
- Avoid body contact with earthed or grounded surfaces such as pipes, radiators, ranges and refrigerators. There is an increased risk of electric shock if your body is earthed or grounded.
- Do not expose power tools to rain or wet conditions. Water entering a power tool will increase the risk of electric shock.
- Do not abuse the cord. Never use the cord for carrying, pulling or unplugging the power tool. Keep cord away from heat, oil, sharp edges or moving parts. Damaged or entangled cords increase the risk of electric shock. Replace or repair damaged cords. Make sure your extension cord is in good condition. Use only 3-wire extension cords that have 3-prong grounding-type plugs and 3-pole receptacles that accept the tool's plug.
- When operating a power tool outdoors, use an extension cord suitable for outdoor use. Use of a cord suitable for outdoor use reduces the risk of electric shock. When using an extension cord, be sure to use one heavy enough to carry the current your product will draw. An undersized cord will cause a drop in line voltage resulting in loss of power and overheating. The following table shows the correct size to use depending on cord length and nameplate ampere rating. If in doubt, use the next heavier gauge. The smaller the gauge number, the heavier the cord.

Volts	Total Length of Cord in Feet	Minimum Gauge for Cord Sets			
		0-25	26-50	51-100	101-150
120V					
Ampere Rating			AWG		
More Than	Not more Than				
0	- 6	18	16	16	14

3) PERSONAL SAFETY

- Stay alert, watch what you are doing and use common sense when operating a power tool. Do not use a power tool while you are tired or under the influence of drugs, alcohol or medication. A moment of inattention while operating power tools may result in serious personal injury.

- Use safety equipment. Always wear eye protection. Safety equipment such as dust mask, non-skid safety shoes, hard hat, or hearing protection used for appropriate conditions will reduce personal injuries.
- Avoid accidental starting. Ensure the switch is in the off-position before plugging in. Carrying power tools with your finger on the switch or plugging in power tools that have the switch on invites accidents.
- Remove any adjusting key or wrench before turning the power tool on. A wrench or a key left attached to a rotating part of the power tool may result in personal injury.
- Do not overreach. Keep proper footing and balance at all times. This enables better control of the power tool in unexpected situations.
- Dress properly. Do not wear loose clothing or jewellery. Keep your hair, clothing and gloves away from moving parts. Loose clothes, jewellery or long hair can be caught in moving parts. Air vents often cover moving parts and should also be avoided.
- If devices are provided for the connection of dust extraction and collection facilities, ensure these are connected and properly used. Use of these devices can reduce dust-related hazards.

4) POWER TOOL USE AND CARE

- Do not force the power tool. Use the correct power tool for your application. The correct power tool will do the job better and safer at the rate for which it was designed.
- Do not use the power tool if the switch does not turn it on and off. Any power tool that cannot be controlled with the switch is dangerous and must be repaired.
- Disconnect the plug from the power source and/or the battery pack from the power tool before making any adjustments, changing accessories, or storing power tools. Such preventive safety measures reduce the risk of starting the power tool accidentally.
- Store idle power tools out of the reach of children and do not allow persons unfamiliar with the power tool or these instructions to operate the power tool. Power tools are dangerous in the hands of untrained users.
- Maintain power tools. Check for misalignment or binding of moving parts, breakage of parts and any other condition that may affect the power tools operation. If damaged, have the power tool repaired before use. Many accidents are caused by poorly maintained power tools.
- Keep cutting tools sharp and clean. Properly maintained cutting tools with sharp cutting edges are less likely to bind and are easier to control.
- Use the power tool, accessories and tool bits etc., in accordance with these instructions and in the manner intended for the particular type of power tool, taking into account the working conditions and the work to be performed. Use of the power tool for operations different from those intended could result in a hazardous situation.

5) SERVICE

- Have your power tool serviced by a qualified repair person using only identical replacement parts. This will ensure that the safety of the power tool is maintained.

Specific Safety Rules for Routers

- Hold tool by insulated gripping surfaces when performing an operation where the cutting tool may contact hidden wiring or its own cord. Contact with a "live" wire will make exposed metal parts of the tool "live" and shock the operator.
- Use clamps or another practical way to secure and support the workpiece to a stable platform. Holding the work by hand or against your body leaves it unstable and may lead to loss of control.
- Never run the motor unit when it is not inserted in one of the router bases. The motor is not designed to be handheld.
- Keep handles dry, clean and free from oil and grease. This will enable better control of the tool.
- Keep hands away from cutting area. Never reach under the workpiece for any reason. Keep the router base firmly in contact with the workpiece when cutting. Hold the router only by the handles. These precautions will reduce the risk of personal injury.
- Use sharp cutters. Dull cutters may cause the router to swerve or stall under pressure.
- Never touch the bit immediately after use. It may be extremely hot.
- Be sure that the motor has stopped completely before you lay the router down. If the cutter head is still spinning when the tool is laid down, it could cause injury or damage.
- Be sure that the router bit is clear of the workpiece before starting the motor. If the bit is in contact with the workpiece when the motor starts it could make the router jump, causing damage or injury.
- Do not press spindle lock button while the motor is running. Doing so can damage the spindle lock.

▲ WARNING: Wear appropriate hearing protection during use [ANSI S12.6 (S3.19)]. Under some conditions and duration of use, noise from this product may contribute to hearing loss.

▲ WARNING: Some dust created by power sanding, sawing, grinding, drilling, and other construction activities contains chemicals known to cause cancer, birth defects or other reproductive harm. Some examples of these chemicals are:

- lead from lead-based paint.
- crystalline silica from bricks and cement and other masonry products.
- arsenic and chromium from chemically-treated lumber (CCA).

Your risk from these exposures varies, depending on how often you do this type of work. To reduce your exposure to these chemicals: work in a well ventilated area, and work with approved safety equipment, such as those dust masks that are specially designed to filter out microscopic particles.

▲ WARNING: Avoid prolonged contact with dust from power sanding, sawing, grinding, drilling, and other construction activities. Wear protective clothing and wash exposed areas with soap and water. Allowing dust to get into your mouth, eyes, or lay on the skin may promote absorption of harmful chemicals.

▲ WARNING: Use of this tool can generate and/or disburse dust, which may cause serious and permanent respiratory or other injury. Always use NIOSH/OSHA approved respiratory protection appropriate for the dust exposure. Direct particles away from face and body.

▲ WARNING: ALWAYS USE SAFETY GLASSES. Everyday eyeglasses are NOT safety glasses. Also use face or dust mask if cutting operation is dusty. ALWAYS WEAR CERTIFIED SAFETY EQUIPMENT:

- ANSI Z87.1 eye protection (CAN/CSA Z94.3)
- ANSI S12.6 (S3.19) hearing protection
- NIOSH/OSHA/MSHA respiratory protection
- The label on your tool may include the following symbols. The symbols and definitions are as follows:

V..... volts	A..... amperes
Hz..... hertz	W..... watts
min..... minutes	~..... alternating current
==..... direct current	n ₀ no load speed
Ⓛ..... Class I Construction (grounded)	Ⓧ..... earthing terminal
Ⓜ..... Class II Construction (double insulated)	▲..... safety alert symbol
BPM..... beats per minute/min..... revolutions or reciprocations per minute

Motor

Your DEWALT tool is powered by a DEWALT-built motor. Be sure your power supply agrees with the nameplate marking.

120 V means your tool may be operated with alternating current only. Do not connect your tool to a direct current power supply. All DEWALT tools are factory tested; if this tool does not operate, check the power supply.

D26670 Heavy-Duty Compact Router

D26670 Heavy-Duty Compact Routers are designed for flush and bevel trimming of laminated plastics and other similar materials that have a bonding agent too hard to be trimmed with ordinary tools.

The **tilt-base** allows trimming into corners inaccessible to standard routers. This model also allows the trimming of laminated surfaces joining at angles of 45° to 90°. This feature eliminates the need for hand-trimming in many applications.

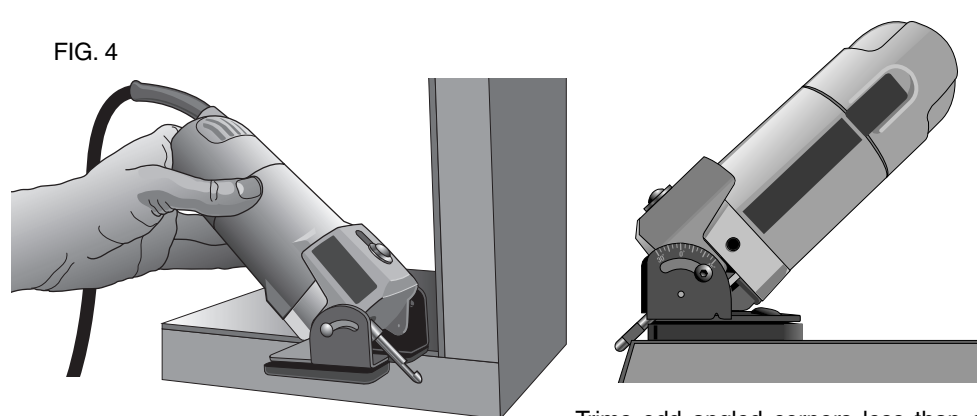
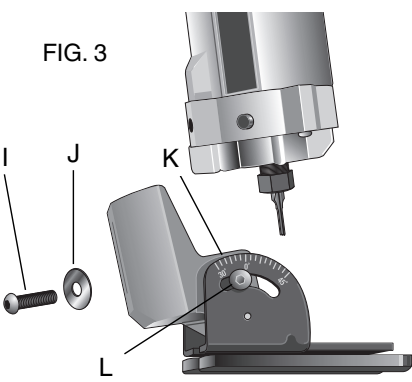
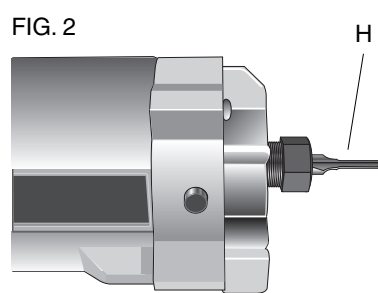
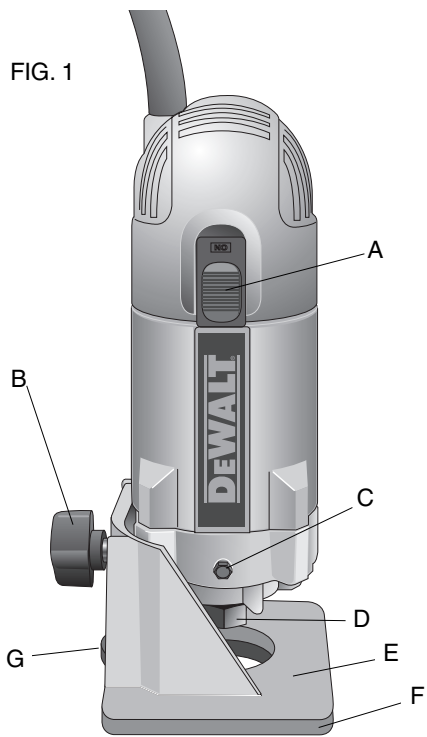
The **off-set base** is used to trim into the corner of a back splash and for trimming narrow ledges.

Selecting the Bit

▲WARNING: Projectile hazard. Only use bits with 1/4" (6.4 mm) shanks. Smaller shank bits will not be secure and could become loose during operation.

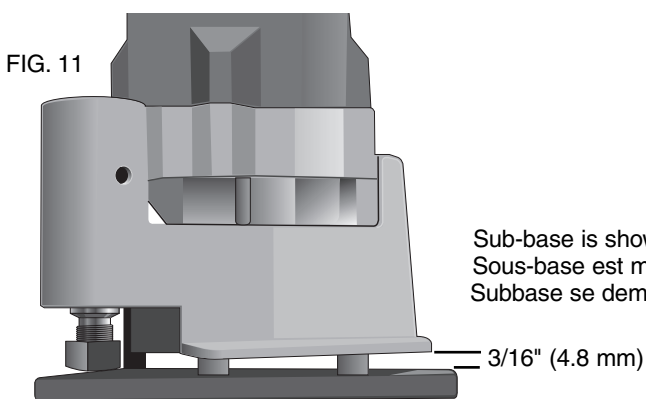
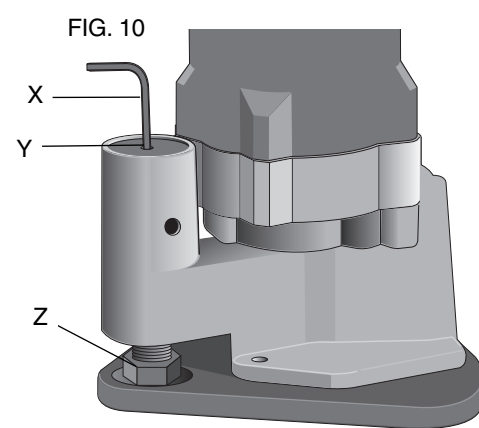
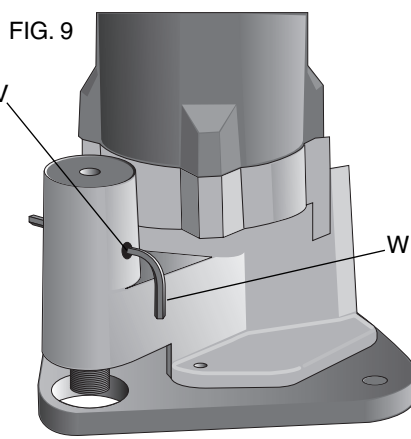
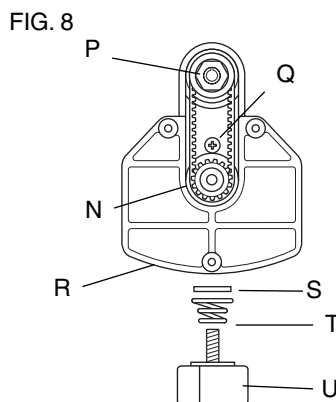
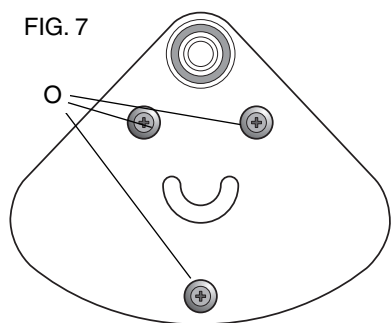
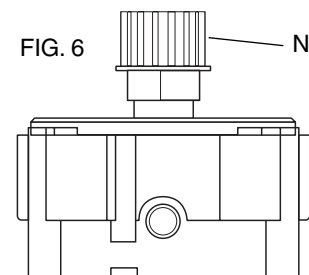
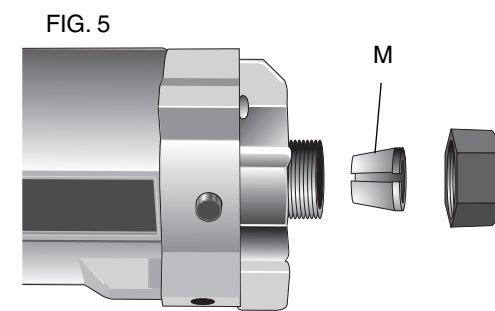
These routers are equipped with a 1/4" (6.4 mm) diameter collet which accepts bits having 1/4" (6.4 mm) diameter shanks. Bits are available as an accessory.

NOTE: It is recommended that the unit only be used with bits that have a cutting diameter of 13/16" (20.6 mm) or less.



Trims up to vertical surfaces.
Taillage de surfaces verticales.
Cortes hasta superficies verticales.

Trims odd angled corners less than or greater than 90°.
Taillage d'angles spéciaux inférieurs ou supérieurs à 90°.
Cortes de extremos en ángulo menores o mayores a 90°.



Sub-base is shown turned over.
Sous-base est montré retourné.
Subbase se demuestra al revés.

COMPONENTS (FIG. 1)

- | | |
|-----------------------|--------------------------|
| A. ON-OFF Switch | E. Base |
| B. Base Locking Screw | F. Sub-Base |
| C. Spindle Lock | G. Depth Adjusting Wheel |
| D. Collet Nut | |

Starting and Stopping Motor (Fig. 1)

The ON/OFF switch (A) is located on the side of the unit, close to the top. To start the router, move the switch down to the ON position. To stop the router, move the switch up to the OFF position.

Prior to plugging in the tool, make sure that the switch is in the OFF position and that the power circuit voltage is the same as that shown on the specification plate of the router.

WARNING: To reduce the risk of personal injury or tool damage, grasp router firmly to resist starting torque and make sure bit is clear of workpiece and foreign objects.

WARNING: To reduce the risk of personal injury or damage to finished work always allow the motor to come to a COMPLETE STOP before setting router down.

Standard and Tilt Bases (Fig. 1, 2)

INSTALLING THE BIT

WARNING: To reduce the risk of injury, turn unit off and disconnect it from power source before installing and removing accessories, before adjusting or when making repairs. An accidental start-up can cause injury.

WARNING: Projectile hazard. Only use bits with 1/4" (6.4 mm) shanks. Smaller shank bits will not be secure and could become loose during operation.

CAUTION: To avoid damaging your router, do not tighten the collet without a bit inserted.

CAUTION: To avoid damaging your router, do not press spindle lock button while the motor is running.

NOTE: It is recommended that the unit only be used with bits that have a cutting diameter of 13/16" (20.6 mm) or less.

NOTE: Directions for installing bits in the offset base are included later in this manual.

- You can install bits with the motor unit attached or removed.
- Depress the spindle lock (C) and rotate the collet nut (D) by hand until the lock engages the hole in the motor spindle. Loosen the collet nut (D) slightly.
- Clean and insert the shank of the bit (H) into the collet until the end of the shank bottoms. Then withdraw the bit approximately 1/16" (1.6 mm).
- While holding the spindle lock, use the provided open-end wrench to tighten the collet nut (clockwise) securely.

REMOVING THE BIT

WARNING: To reduce the risk of injury, turn unit off and disconnect it from power source before installing and removing accessories, before adjusting or when making repairs. An accidental start-up can cause injury.

WARNING: Burn hazard. Do not touch the router bits immediately after use.

CAUTION: To avoid damaging your router, do not press spindle lock button while the motor is running.

NOTE: Directions for removing bits in the offset base are included later in this manual.

- You can remove bits either with the motor unit attached or removed.
- Depress the spindle lock (C) and rotate the collet nut (D) by hand until the lock engages the hole in the motor spindle.
- While holding the spindle lock engaged, loosen the collet nut (D) by turning it counterclockwise with the provided open-end wrench.
- If the bit (H) is tight on the collet, tap the collet nut (D) with a wrench to release the bit.

ADJUSTING THE DEPTH OF CUT (FIG. 1)

WARNING: To reduce the risk of injury, turn unit off and disconnect it from power source before installing and removing accessories, before adjusting or when making repairs. An accidental start-up can cause injury.

- Loosen the base-locking screw (B) approximately 1/4 turn.
- Turn the depth-adjusting wheel (G) to reduce or increase the depth of cut.
- Tighten the base-locking screw (B) securely. Make a test cut in scrap material to check the depth of cut.
- Repeat steps 1 through 3 until the desired depth of cut is achieved.

For the tilt base, you may have to slightly withdraw some bits in the collet to obtain a maximum depth of cut.

FIG. 5

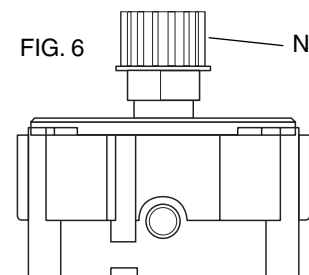
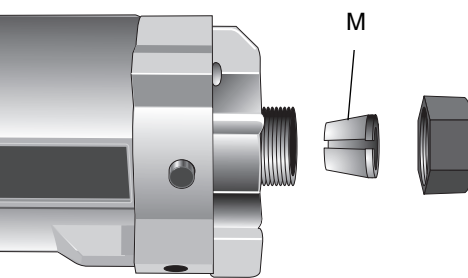


FIG. 9

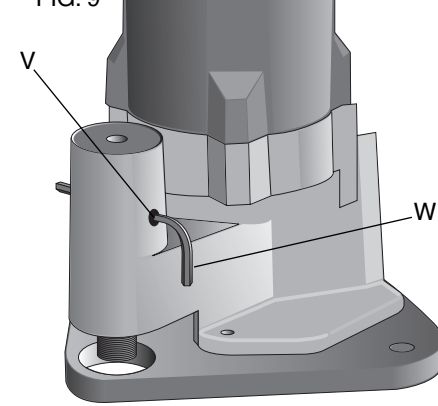


FIG. 10

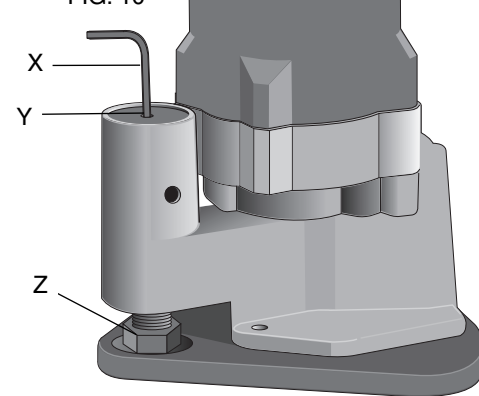


FIG. 12

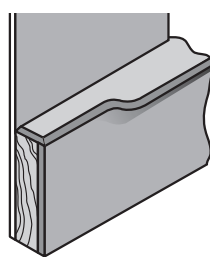


FIG. 14

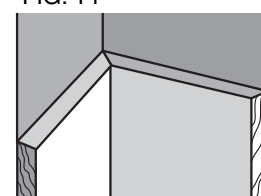


FIG. 16

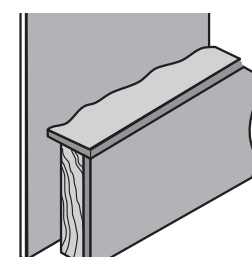


FIG. 13

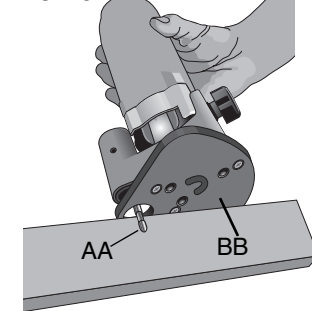


FIG. 15

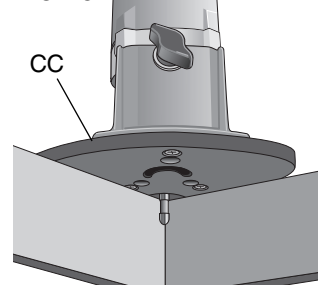
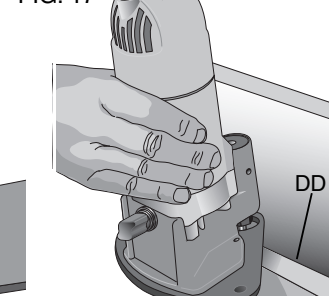


FIG. 17



WARNING: When you withdraw a bit, be certain that at least 1/2" (1.3 cm) of the bit shank is engaged in the collet. Do not use bits that result in having less than 1/2" (1.3 cm) of the bit shank engaged in the collet. To do so may cause poor gripping of the collet, resulting in a loose bit. If the bit comes out of the collet, it could cause damage to the workpiece and/or personal injury.

Adjusting the Sub-Base Alignment for Standard and Tilt Bases (Fig. 1)

WARNING: To reduce the risk of injury, turn unit off and disconnect it from power source before installing and removing accessories, before adjusting or when making repairs. An accidental start-up can cause injury.

Applications using a template guide require the bit to be centered within the guide, and the center hole in the sub-base to be in line with the collet of the motor unit. Your model has an adjustable sub-base (F). To adjust:

- Install the desired template guide on the sub-base and tighten securely.
- Loosen the sub-base mounting screws just enough to allow the sub-base to move on the base (E). The base movement will be very slight.
- Install a straight 1/4" (6.4 mm) diameter bit in the collet of the motor unit and tighten securely.
- Attach the motor unit to the base. Align the hole in the template guide with the bit and adjust the depth of cut so that the bit extends through the template guide. Tighten the motor unit in the base.
- Tighten the sub-base mounting screws securely.

Tilt Base Assembly (Fig. 1, 3)

The tilt base is designed for use with flush trim bits for trimming into corners. You may also use it with other self-pilot trim bits for conventional trimming at 90° setting.

WARNING: To reduce the risk of injury, turn unit off and disconnect it from power source before installing and removing accessories, before adjusting or when making repairs. An accidental start-up can cause injury.

TO ASSEMBLE THE TILT BASE (FIG. 1, 3)

- Remove the standard base (if necessary) by removing screw (B), washer and spring (not shown).
- Attach the tilt base using screw (I) and flat washer (J) included with the tilt base.

TO ADJUST THE TILT (FIG. 1, 3)

- Loosen two tilt locking screws (L) (one on each side of base) using the provided hex wrench.
- Match the base-aligning index mark (K) with the desired angle and tighten securely.
- Make a trial cut on scrap material to check the alignment.

Typical Applications with Tilt Base (Fig. 4)

The tilt base is designed for these typical operations:

- Trimming up to vertical surfaces.
- Trimming odd angled corners less than or greater than 90°.

Offset Base Assembly (Fig. 2, 5-9)

The offset base allows trimming in tight spaces (the front edge of vertical backsplashes, inside corners, etc.) and easy scribing of backsplashes to a wall.

To attach the offset base, first remove the standard base (if necessary) by removing screw (B), washer and spring. Then, attach the offset base using these instructions:

WARNING: To reduce the risk of injury, turn unit off and disconnect it from power source before installing and removing accessories, before adjusting or when making repairs. An accidental start-up can cause injury.

CAUTION: To avoid damaging your router, do not tighten the collet without a bit inserted.

CAUTION: To avoid damaging your router, do not press spindle lock button while the motor is running.

1. Depress spindle lock (C) and unscrew and remove the collet nut (D) and collet (M) from the motor unit.
2. Attach the drive pulley (N) to the motor spindle. Screw in securely.
3. Use a Phillips screwdriver to remove the three sub-base mounting screws (O) from the base. Remove the sub-base.
4. Position the base (R) on the drive pulley (N) (from step 2). Be sure that the motor drive pulley engages the drive belt inside the base housing.
5. Secure the motor to the base with the thumbscrew (U), spring (T), and washer (S).
6. Use a Phillips screwdriver to install a #6-32 x 3/8" screw in the hole (Q). Tighten securely.
7. Clean the collet nut and collet (from step 1), and attach to the spindle (P) in the offset base. Use hex wrench (W) in hole (V) to lock spindle. Hand tighten for further adjustment.
8. Position the sub-base to the base housing and secure with the three screws (O) that were removed in step 3.

To Install & Remove Bit (Offset Base) (Fig. 9)

▲WARNING: To reduce the risk of injury, turn unit off and disconnect it from power source before installing and removing accessories, before adjusting or when making repairs. An accidental start-up can cause injury.

▲WARNING: Projectile hazard. Only use bits with 1/4" (6.4 mm) shanks. Smaller shank bits will not be secure and could become loose during operation.

CAUTION: To avoid damaging your router, do not tighten the collet without a bit inserted.

CAUTION: To avoid damaging your router, do not press spindle lock button while the motor is running.

CAUTION: To avoid damaging the drive belt, never tighten or loosen the collet nut with the motor unit's spindle lock engaged.

NOTE: It is recommended that the unit only be used with bits that have a cutting diameter of 13/16" (20.6 mm) or less.

1. To lock spindle on the offset base, insert the long portion of the hex wrench (W) through the spindle lock hole (V), so that the wrench protrudes from both sides of the base housing. For help inserting the hex wrench, rotate the spindle by hand to align the hole in the spindle with the holes in the housing.
2. Clean and insert the bit shank into the collet until the end of the shank bottoms. Then withdraw the bit approximately 1/16" (1.6 mm). Tighten the collet nut securely with the collet wrench.
3. To remove the bit, reverse the procedure. If the bit will not remove easily, lightly tap the bit shank with a wrench.
4. Remove hex wrench (W).

Adjusting Depth of Cut (Offset Base) (Fig. 10, 11)

▲WARNING: To reduce the risk of injury, turn unit off and disconnect it from power source before installing and removing accessories, before adjusting or when making repairs. An accidental start-up can cause injury.

1. Turn the router on its side and loosen the collet nut slightly. See To Install & Remove Bit (Offset Base).
2. Place the hex wrench (X) in the hole (Y) to access the depth-adjusting screw.
3. Hold the spindle (Z) in place and apply light upward pressure on the bit to maintain contact between the bit shank and the adjusting screw. Turn the hex wrench counter-clockwise to increase exposure and clockwise to decrease exposure.
4. To turn the sub-base over to allow more clearance (3/16" or 4.8 mm) for long-shank bits (Fig. 11):
 - a. Remove three sub-base mounting screws (O).
 - b. Turn sub-base over and re-attach using screws removed in step a.

Typical Applications with Offset Base (Fig. 12-17)

TRIMMING 3/4" (19 mm) VERTICAL BACKSPLASH (FIG. 12, 13)

Trimming the front edge of 3/4" (19 mm) vertical backsplash (Fig.13) is an operation standard routers with round or square bases are unable to do without the use of a special bit. The operation is made easy with the offset base fitted with a solid carbide self-piloted bit. The self-piloted bit (AA) allows one-pass trimming. The triangular base (BB) enables trimming with backsplash in place.

IN-AND-OUT TRIMMING OF INSTALLED CORNER (FIG. 14, 15)

The offset base can also trim into and out of an installed backsplash corner (Fig. 15) with little or no hand trimming required. Combining a self-piloted bit and a triangular base (CC) enables complete corner trimming with backsplash in place.

SCRIBING OF BACKSPLASH TO WALL (FIG. 16, 17)

The offset base can accurately scribe the back side of a preassembled panel or post-formed backsplash (Fig. 17). Once the back lip is accurately scribed, the trimmed portion is then pushed against the wall and mated exactly. As the front edge of the router is guided against the wall (Fig. 17), the router creates an exact reproduction of the wall surface in one pass. Use a 3/4" (19 mm) spacer to maintain a 3/4" (19 mm) distance (DD) from the wall and the back of the backsplash being cut.

MAINTENANCE

Cleaning

▲WARNING: Blowing dust and chips out of the motor housing using clean, dry compressed air is a necessary regular maintenance procedure. Dust and chips containing metal particles often accumulate on interior surfaces and could create an electrical shock or electrocution if not frequently cleaned out. ALWAYS WEAR SAFETY GLASSES.

▲CAUTION: When cleaning, use only a damp cloth on plastic parts. Many household cleaners contain chemicals which could seriously damage plastic. Also, do not use gasoline, turpentine, lacquer or paint thinner, dry cleaning fluids or similar products which may seriously damage plastic parts. Never let any liquid get inside the tool; never immerse any part of the tool into a liquid.

Lubrication

This tool has been lubricated with a sufficient amount of high-grade lubricant for the life of this unit under normal conditions. No further lubrication is necessary.

Accessories

▲WARNING: Since accessories, other than those offered by DeWALT, have not been tested with this product, use of such accessories with this tool could be hazardous. To reduce the risk of injury, only DeWALT, recommended accessories should be used with this product.

Recommended accessories for use with your tool are available at extra cost from your local service center. If you need any assistance in locating any accessory, please contact DeWALT Industrial Tool Co., 701 East Joppa Road, Baltimore, MD 21286, call 1-800-4-DeWALT (1-800-433-9258) or visit our website www.dewalt.com.

Repairs

To assure product SAFETY and RELIABILITY, repairs, maintenance and adjustment (including brush inspection and replacement) should be performed by a DeWALT factory service center, a DeWALT authorized service center or other qualified service personnel. Always use identical replacement parts.

Three Year Limited Warranty

DeWALT will repair, without charge, any defects due to faulty materials or workmanship for three years from the date of purchase. This warranty does not cover part failure due to normal wear or tool abuse. For further detail of warranty coverage and warranty repair information, visit www.dewalt.com or call 1-800-4-DeWALT (1-800-433-9258). This warranty does not apply to accessories or damage caused where repairs have been made or attempted by others. This warranty gives you specific legal rights and you may have other rights which vary in certain states or provinces.

In addition to the warranty, DeWALT tools are covered by our:

1 YEAR FREE SERVICE

DeWALT will maintain the tool and replace worn parts caused by normal use, for free, any time during the first year after purchase.

90 DAY MONEY BACK GUARANTEE

If you are not completely satisfied with the performance of your DeWALT Power Tool, Laser, or Nailers for any reason, you can return it within 90 days from the date of purchase with a receipt for a full refund – no questions asked.

LATIN AMERICA: This warranty does not apply to products sold in Latin America. For products sold in Latin America, see country specific warranty information contained either in the packaging, call the local company or see website for warranty information.

FREE WARNING LABEL REPLACEMENT: If your warning labels become illegible or are missing, call 1-800-4-DeWALT for a free replacement.

D26670 HEAVY-DUTY COMPACT ROUTER

▲WARNING/ADVERTENCIA/AVERTISSEMENT

TO REDUCE THE RISK OF INJURY, USER MUST READ INSTRUCTION MANUAL. ALWAYS USE PROPER EYE AND RESPIRATORY PROTECTION. PARA EL MANEJO SEGURO LEA EL MANUAL DE INSTRUCCIONES. SIEMPRE SE DEBERÁ LLEVAR LA PROTECCIÓN APROPIADA PARA LA VISTA Y PARA LAS VÍAS RESPIRATORIAS. À TITRE PRÉVENTIF LIRE LE GUIDE. IL FAUT TOUJOURS PORTER DE L'ÉQUIPEMENT DE PROTECTION OCULAIRE ET RESPIRATOIRE APPROPRIÉ.

DEWALT INDUSTRIAL TOOL CO., BALTIMORE, MD 21286 USA FOR SERVICE INFORMATION, CALL 1-800-4-DEWALT www.DEWALT.com

D2667X XXX HEAVY-DUTY COMPACT ROUTER BASE

▲WARNING TO REDUCE THE RISK MUST READ INSTRUCTION MANUAL. ALWAYS USE PROPER EYE AND RESPIRATORY PROTECTION.

DEWALT INDUSTRIAL TOOL CO., BALTIMORE, MD 21286 USA FOR SERVICE INFORMATION, CALL 1-800-4-DEWALT www.DEWALT.com

▲ADVERTENCIA PARA EL MANEJO SEGURO LEA EL MANUAL DE INSTRUCCIONES. SIEMPRE SE DEBERÁ LLEVAR LA PROTECCIÓN APROPIADA PARA LA VISTA Y PARA LAS VÍAS RESPIRATORIAS.
▲AVERTISSEMENT À TITRE PRÉVENTIF LIRE LE GUIDE. IL FAUT TOUJOURS PORTER DE L'ÉQUIPEMENT DE PROTECTION OCULAIRE ET RESPIRATOIRE APPROPRIÉ.

Définitions : lignes directrices en matière de sécurité

Les définitions ci-dessous décrivent le niveau de gravité pour chaque symbole. Veuillez lire le mode d'emploi et porter une attention particulière à ces symboles.

▲DANGER : Indique une situation dangereuse imminente qui, si elle n'est pas évitée, causera la mort ou des blessures graves.

▲AVERTISSEMENT : Indique une situation potentiellement dangereuse qui, si elle n'est pas évitée, pourrait se solder par un décès ou des blessures graves.

▲MISE EN GARDE : Indique une situation potentiellement dangereuse qui, si elle n'est pas évitée, pourrait se solder par des blessures mineures ou modérées.

MISE EN GARDE : Utilisé sans le symbole d'alerte à la sécurité, indique une situation potentiellement dangereuse qui, si elle n'est pas évitée, pourrait se solder par des dommages à la propriété.

POUR TOUT RENSEIGNEMENT SUPPLÉMENTAIRE SUR CET OUTIL OU TOUT AUTRE OUTIL DeWALT, COMPOSER SANS FRAIS LE NUMÉRO : 1-800-4-DeWALT (1-800-433-9258)

Règles de sécurité – Généralités

▲AVERTISSEMENT : Lire toutes ces directives. Tout manquement aux directives suivantes pose des risques de choc électrique, d'incendie et/ou de blessure grave. Le terme « outil électrique » dans tous les avertissements ci-après se rapporte à votre outil électrique à alimentation sur secteur (avec fil) ou par piles (sans fil).

CONSERVER CES DIRECTIVES

1) SÉCURITÉ - AIRE DE TRAVAIL

- a) **Maintenir l'aire de travail propre et bien éclairée.** Les lieux encombrés ou sombres sont propices aux accidents.
- b) **Ne pas faire fonctionner un outil électrique dans une atmosphère explosive, en présence par exemple de poussières, gaz ou liquides inflammables.** Les outils électriques peuvent engendrer des étincelles qui pourraient enflammer toute émanation ou poussière ambiante.
- c) **Tenir les enfants, ou toute autre personne, éloignés pendant l'utilisation d'un outil électrique.** Toute distraction pourrait vous faire perdre la maîtrise de ce dernier.

2) SÉCURITÉ – ÉLECTRICITÉ

- a) **La fiche électrique de l'outil doit correspondre à la prise murale. Ne jamais modifier la fiche en aucune façon. Ne jamais utiliser de fiche d'adaptation avec un outil électrique mis à la terre.** L'utilisation de fiches d'origine et de prises appropriées réduira les risques de choc électrique.
- b) **Éviter tout contact corporel avec des éléments mis à la terre comme tuyaux, radiateurs, cuisinières ou réfrigérateurs.** Les risques de choc électrique augmentent lorsque le corps est mis à la terre.
- c) **Ne pas exposer les outils électriques à la pluie ou à l'humidité.** Toute pénétration d'un outil électrique par un liquide augmente les risques de choc électrique.
- d) **Ne pas utiliser le cordon de façon abusive. Ne jamais utiliser le cordon pour transporter, tirer ou débrancher un outil électrique. Protéger le cordon de la chaleur, de l'huile et de tout bord tranchant ou pièce mobile.** Les cordons endommagés ou emmêlés augmentent les risques de choc électrique. Remplacer ou faire réparer tout cordon endommagé. S'assurer que la rallonge est en bon état. N'utiliser que des rallonges trifilaires munies de fiches tripolaires et des prises tripolaires acceptant la fiche de l'outil.
- e) **Lors de l'utilisation d'un outil électrique à l'extérieur, n'utiliser que des rallonges conçues pour l'extérieur.** L'utilisation d'une rallonge conçue pour l'extérieur réduit les risques de choc électrique. En cas d'utilisation d'une rallonge, s'assurer que les valeurs nominales de la rallonge utilisée correspondent bien à celles de l'outil alimenté. L'usage d'une rallonge de calibre insuffisant causera une chute de tension entraînant perte de puissance et surchauffe. Le tableau ci-dessous illustre les calibres à utiliser selon la longueur de rallonge et l'intensité nominale indiquée sur la plaque signalétique. En cas de doutes, utiliser le calibre suivant. Plus le calibre est petit, plus la rallonge peut supporter de courant.

Calibre mínimo para cordones de extensión

Volts	Longitud total del cordón en metros			
120V	0-7,6	7,6-15,2	15,2-30,4	30,4-45,7
Amperaje	Calibre del cordón AWG			
Más de	No más de			
0	- 6	18	16	16 14

3) SÉCURITÉ PERSONNELLE

- a) **Rester vigilant en tout temps et faire preuve de jugement pendant l'utilisation d'un outil électrique. Ne pas utiliser d'outil électrique en cas de fatigue ou sous l'influence de drogues, d'alcool ou de médicaments.** Tout moment d'inattention pendant l'utilisation d'un outil électrique pose des risques de blessure grave.
- b) **Utiliser le matériel de sécurité approprié. Toujours porter des lunettes de protection.** Le fait de porter un masque anti-poussières, des chaussures antidérapantes, un casque de sécurité ou des protecteurs auditifs lorsque la situation le requiert réduira les risques de blessure.
- c) **Éviter tout démarrage accidentel. S'assurer que l'interrupteur est en position d'arrêt avant tout branchement.** Transporter un outil le doigt sur l'interrupteur ou brancher un outil électrique alors que l'interrupteur est en position de marche invite les accidents.
- d) **Retirer toute clé de réglage avant de démarrer l'outil.** Une clé laissée sur une pièce rotative d'un outil électrique pose des risques de blessure.
- e) **Ne pas effectuer de travaux hors de portée. Les pieds doivent rester bien ancrés au sol afin de maintenir son équilibre en tout temps.** Cela permet de mieux maîtriser l'outil électrique dans les situations imprévues.
- f) **Porter des vêtements appropriés. Ne pas porter de vêtements amples ni de bijoux. Maintenir cheveux, vêtements et gants éloignés des pièces mobiles.** Vêtements amples, bijoux ou cheveux longs risquent de rester coincés dans ces pièces mobiles. Prendre des précautions autour des événements car ils recouvrent des pièces mobiles.
- g) **Lorsque un dispositif de connexion à un système de dépoussiérage ou d'élimination est fourni, s'assurer qu'il est connecté et utilisé correctement.** L'utilisation de ces dispositifs peut réduire les risques engendrés par les poussières.

4) UTILISATION ET ENTRETIEN DES OUTILS ÉLECTRIQUES

- a) **Ne pas forcer un outil électrique. Utiliser l'outil approprié au travail en cours.** L'outil approprié effectuera un meilleur travail, de façon plus sûre et à la vitesse pour laquelle il a été conçu.
- b) **Ne pas utiliser un outil électrique dont l'interrupteur est défectueux.** Tout appareil dont l'interrupteur est défectueux est dangereux et doit être réparé.
- c) **Débrancher la fiche du secteur et/ou le bloc-piles de l'outil électrique avant de faire tout réglage ou changement d'accessoire, ou avant de ranger ce dernier.** Ces mesures préventives réduisent les risques de démarrage accidentel de l'appareil.
- d) **Après usage, ranger les outils électriques hors de la portée des enfants, et ne permettre à aucune personne n'étant pas familière avec un outil électrique (ou son manuel d'instruction) d'utiliser ce dernier.** Les outils peuvent être dangereux entre les mains des novices.

e) **Entretenir les outils électriques. Vérifier les pièces mobiles pour s’assurer qu’elles sont bien alignées et tournent librement, qu’elles sont en bon état et ne sont affectées d’aucune condition susceptible de nuire au bon fonctionnement de l’outil. En cas de dommage, faire réparer l’outil électrique avant toute nouvelle utilisation.** Bien des accidents sont causés par des outils mal entretenus.

f) **Maintenir tout outil de coupe bien aiguisé et propre.** Les outils de coupe bien entretenus et affûtés sont moins susceptibles de se coincer et sont plus faciles à contrôler.

g) **Utiliser un outil électrique, ses accessoires, mèches, etc., conformément aux présentes directives et suivant la manière prévue pour ce type particulier d’outil électrique, en tenant compte des conditions de travail et du travail à effectuer.** L'utilisation d'un outil électrique pour toute opération autre que celle pour laquelle il a été conçu est dangereuse.

5) SERVICE

a) **Faire entretenir les outils électriques par un réparateur qualifié en n'utilisant que des pièces de rechange identiques.** Cela permettra d’assurer l’intégrité de l’outil électrique et la sécurité de l'utilisateur.

Règles de sécurité spécifique concernant les toupies

• **Tenir l’outil par sa surface de prise isolée lors d’opérations où l’outil de coupe peut entrer en contact avec un câblage caché ou avec son propre cordon d’alimentation.** Tout contact avec un fil « sous tension » mettra « sous tension » les pièces métalliques exposées de l’outil et provoquera un choc électrique chez l’opérateur de l’outil.

• **Utiliser des brides de fixation ou un autre dispositif de fixation permettant de soutenir et de retenir la pièce sur une plate-forme stable.** Tenir la pièce avec la main ou contre son corps la rend instable et risque de provoquer une perte de maîtrise de l’outil.

• **Ne jamais faire fonctionner le bloc-moteur s’il n’est pas inséré dans l’une des bases de la toupie.** Le moteur n’est pas conçu pour être portatif.

• **Maintenir les poignées sèches, propres et exemptes d’huile et de graisse.** Cela permet de mieux maîtriser l’outil.

• **Éloigner les mains de la zone de découpe. Ne jamais se pencher sous la pièce en aucune circonstance. Tenir la semelle de la toupie fermement en contact avec la pièce en cours de coupe. Tenir la toupie uniquement par les poignées.** Ces précautions réduiront le risque de blessure corporelle.

• **Utiliser des fraises aiguisées.** Les fraises émoussées peuvent faire zigzaguer la toupie ou la bloquer sous la pression.

• **Ne pas toucher la fraise immédiatement après usage.** Elle pourrait être extrêmement chaude.

• **S’assurer que le moteur soit complètement à l’arrêt avant de déposer la toupie.** Si l’organe de coupe tourne encore lors du dépôt de l’outil, il y a risque de blessure ou dommage.

• **S’assurer que la fraise ne touche pas à la pièce avant de démarrer le moteur.** Sinon, lors du démarrage moteur, la toupie pourrait « sauter » et provoquer un dommage ou une blessure.

• **Ne pas appuyer sur le bouton de verrouillage de la broche lorsque le moteur est en marche.**

⚠ AVERTISSEMENT: Portez un dispositif de protection antibruit pendant l'utilisation [ANSI S12.6 (S3.19)]. Dans certaines conditions et selon la durée de l'utilisation de l'appareil, le bruit émis par ce produit peut contribuer à une perte auditive.

⚠ AVERTISSEMENT : Certains outils électriques, tels que les sableuses, les scies, les meules, les perceuses ou certains autres outils de construction, peuvent produire de la poussière contenant des produits chimiques susceptibles d’entraîner le cancer, des malformations congénitales ou pouvant être nocifs pour le système reproductif. Parmi ces produits chimiques, on retrouve :

- le plomb dans les peintures à base de plomb,
- la silice cristalline dans les briques et le ciment et autres produits de maçonnerie,
- l’arsenic et le chrome dans le bois de sciage ayant subi un traitement chimique (comme l’arséniate de cuivre et de chrome).

Le risque associé à de telles expositions varie selon la fréquence avec laquelle on effectue ces travaux. Pour réduire l’exposition à de tels produits, il faut travailler dans un endroit bien aéré et utiliser le matériel de sécurité approprié, tel un masque anti-poussières spécialement conçu pour filtrer les particules microscopiques.

⚠ AVERTISSEMENT : Éviter tout contact prolongé avec la poussière soulevée par cet outil ou autres outils électriques. Porter des vêtements de protection et nettoyer les parties exposées du corps avec de l’eau savonneuse. S’assurer de bien se protéger afin d’éviter d’absorber par la bouche, les yeux ou la peau des produits chimiques nocifs.

⚠ AVERTISSEMENT : Cet outil peut produire et répandre de la poussière susceptible de causer des dommages sérieux et permanents au système respiratoire. Toujours utiliser un appareil respiratoire anti-poussières approuvé par le NIOSH ou l’OSHA. Diriger les particules dans le sens opposé du visage et du corps.

⚠AVERTISSEMENT: TOUJOURS PORTER DES LUNETTES DE SÉCURITÉ. Les lunettes de vue ne constituent PAS des lunettes de sécurité. Utiliser également un masque facial ou anti-poussière si l’opération de découpe génère de la poussière. TOUJOURS PORTER UN ÉQUIPEMENT DE PROTECTION HOMOLOGUÉ :

- protection oculaire ANSI Z87.1 (CAN/CSA Z94.3),
- protection auditive ANSI S12.6 (S3.19) et
- protection des voies respiratoires NIOSH/OSHA.

• L’étiquette apposée sur l’outil peut comprendre les symboles suivants. Voici les symboles et leurs définitions :

V	volts	A.....	ampères
Hz	hertz	W.....	watts
min.....	minutes	~	courant alternatif
==	courant continu	n _o	vitesse à vide
Ⓢ.....	Construction de classe I (mis à la terre)	⊕.....	borne de terre
Ⓢ.....	Construction de classe II (à double isolation)	⚠.....	symbole d’alerte à la sécurité
BPM.....	coups par minute	.../min.....	rotations ou alternance par minute

Moteur

Cet outil est entraîné par un moteur DEWALT. S’assurer que l’intensité nominale du cordon d’alimentation correspond à celle indiquée sur la plaque signalétique; sur cette dernière, la mention 120 V signifie que l’outil ne doit être branché que dans une prise de courant alternatif; ne pas brancher l’outil dans une prise de courant continu. Tous les outils DEWALT sont soumis à des essais en usine; si cet outil ne fonctionne pas, on doit d’abord vérifier l’intensité nominale du cordon d’alimentation.

D26670 Toupie Compacte de Service Intensif

La Toupie Compacte de Service Intensif D26670 est conçue pour le taillage à fleur et à biseau de stratifiés et de tout autre matériau présentant un agent liant trop dur pour être taillé avec un outil ordinaire.

La **base inclinée** permet le taillage d’angles inaccessibles aux toupies standards. Ce modèle permet aussi le taillage de surfaces stratifiées qui se joignent à un angle variant entre 45° et 90°. Cette caractéristique permet d’éliminer la nécessité de tailler à la main dans de nombreux travaux.

La **base déportée** est utilisée pour tailler dans le coin d’un dossier et pour tailler des traverses étroites.

Sélection de la fraise

⚠ AVERTISSEMENT: Danger de projectiles. Utiliser uniquement des mèches avec des queues de 6,4 mm (1/4 po). Des mèches avec des queues plus petites seront mal fixées et risquent de se détacher durant le fonctionnement.

Ces toupies sont pourvues d’un mandrin au diamètre de 6,4 mm (1/4 po) pour être compatibles avec les mèches ayant une queue de 6,4 mm (1/4 po) de diamètre. On peut se procurer les mèches comme accessoires.

REMARQUE : il est recommandé d’utiliser l’appareil uniquement avec des fraises qui comportent un diamètre de coupe de 20,6 mm (13/16 po) ou moins.

COMPOSANTS (FIG. 1)

- | | |
|--|--------------------------------------|
| A. Interrupteur MARCHE-ARRÊT | E. Base |
| B. Vis de blocage de la base | F. Sous-base |
| C. Commande de verrouillage de la broche | G. Roulette de réglage de profondeur |
| D. Ecrou de pince | |

Démarrage et arrêt du moteur (Fig. 1)

L’interrupteur MARCHE/ARRÊT se trouve sur le côté, près du sommet de l’appareil. Pour démarrer la toupie, baisser l’interrupteur à la position MARCHE. Pour arrêter la toupie, relever l’interrupteur à la position ARRÊT.

Avant de brancher l’outil, s’assurer que l’interrupteur se trouve à la position ARRÊT et que la tension du circuit d’alimentation est la même que celle indiquée sur la plaque signalétique de la toupie.

⚠ AVERTISSEMENT : Pour réduire le risque de blessures corporelles ou de dommages à l’outil, bien saisir la toupie pour résister au couple de démarrage et s’assurer que la fraise n’est pas entravée par une pièce ou un corps étranger.

⚠ AVERTISSEMENT : Pour réduire le risque de blessures corporelles ou de dommages à la pièce finie, toujours attendre que le moteur S’ARRÊTE COMPLÈTEMENT avant de déposer la toupie.

Bases standards et inclinées (Fig. 1, 2)

POSE DE LA FRAISE

⚠ AVERTISSEMENT: pour réduire le risque de blessures, éteindre l’appareil et le débrancher avant d’installer ou de retirer tout accessoire et avant d’effectuer des réglages ou des réparations. Un démarrage accidentel peut provoquer des blessures.

⚠ AVERTISSEMENT: Danger de projectiles. Utiliser uniquement des fraises avec des queues de 6,4 mm (1/4 po). Des mèches avec des queues plus petites seront mal fixées et risquent de se détacher durant le fonctionnement.

MISE EN GARDE: ne pas serrer la pince sans fraise pour éviter d’endommager la toupie.

MISE EN GARDE: ne pas enfoncer le bouton du dispositif de verrouillage de la broche si le moteur est en marche pour éviter d’endommager la toupie.

REMARQUE: il est recommandé d’utiliser l’appareil uniquement avec des fraises qui comportent un diamètre de coupe de 20,6 mm (13/16 po) ou moins.

REMARQUE: vous trouverez les directives de pose de fraise dans la base déportée plus loin dans le présent guide.

- Vous pouvez installer une fraise que le bloc-moteur soit fixé ou enlevé.
- Enfoncer la commande de verrouillage de la broche (C), puis tourner manuellement l’écrou de la pince (D) dans le sens horaire de manière à ce que la commande de verrouillage s’engage dans le trou de la broche du moteur. Desserrer légèrement l’écrou de pince (D).
- Nettoyer la tige de la fraise (H) et l’insérer dans la pince jusqu’à ce que l’extrémité atteigne le fond. Puis, retirer la fraise d’environ 1,6 mm (1/16 po).
- Tout en tenant la commande de verrouillage de la broche, utiliser la clé à fourche fournie pour bien serrer l’écrou à pince (dans le sens horaire).

DÉPOSE DE LA FRAISE

⚠ AVERTISSEMENT: pour réduire le risque de blessures, éteindre l’appareil et le débrancher avant d’installer ou de retirer tout accessoire et avant d’effectuer des réglages ou des réparations. Un démarrage accidentel peut provoquer des blessures.

⚠ AVERTISSEMENT: Risque de brûlure. Ne pas toucher à la fraise de la toupie immédiatement après usage.

MISE EN GARDE: ne pas enfoncer le bouton du dispositif de verrouillage de la broche si le moteur est en marche pour éviter d’endommager la toupie.

REMARQUE: vous trouverez les directives de dépose de fraise dans la base déportée plus loin dans le présent guide.

- Vous pouvez retirer une fraise que le bloc-moteur soit fixé ou enlevé.
- Enfoncer la commande de verrouillage de la broche (C), puis tourner manuellement l’écrou de pince (D) dans le sens antihoraire de manière à ce que la commande de verrouillage s’engage dans le trou de la broche du moteur.
- Tout en maintenant engagée la commande de verrouillage de la broche, desserrer l’écrou de la pince (D) en le tournant dans le sens antihoraire avec la clé à fourche fournie.
- Si la fraise (H) est serrée sur la pince (D), tapoter l’écrou de la pince avec une clé pour dégager la fraise.

RÉGLAGE DE LA PROFONDEUR DE COUPE (FIG. 1)

⚠ AVERTISSEMENT: Pour réduire le risque de blessures, éteindre l’appareil et le débrancher avant d’installer ou de retirer tout accessoire et avant d’effectuer des réglages ou des réparations. Un démarrage accidentel peut provoquer des blessures.

- Desserrer la vis de blocage de la base (B) d’environ 1/4 tour.
- Tourner la roulette de réglage de profondeur (G) pour réduire ou accroître la profondeur de coupe.
- Bien serrer la vis de blocage de la base (B). Effectuer une coupe d’essai dans un matériau de rebut pour vérifier la profondeur de coupe.
- Refaire les étapes 1 à 3 jusqu’à l’obtention de la profondeur de coupe voulue.

Avec certaines mèches, il peut être nécessaire de retirer la mèche de la douille afin d’obtenir une profondeur maximale de coupe.

⚠ AVERTISSEMENT: Ce faisant, assurez-vous qu’au moins 1,3 cm (1/2 po) de tige de mèche est engagé dans la douille. N'utilisez pas de mèches avec lesquelles moins de 1,3 cm (1/2 po) de tige de mèche sera engagé dans la douille. Ceci risquerait de causer une mauvaise préhension de la douille et une mèche lâche avec, pour conséquence, des dommages à l’ouvrage ou des blessures si la mèche venait à sortir de la douille.

Réglage de l’alignement de la sous-base pour les bases standards et inclinées (Fig. 1)

⚠ AVERTISSEMENT: pour réduire le risque de blessures, éteindre l’appareil et le débrancher avant d’installer ou de retirer tout accessoire et avant d’effectuer des réglages ou des réparations. Un démarrage accidentel peut provoquer des blessures.

Pour les travaux pourvus d’un guide-modèle, la fraise logée dans le guide doit être centrée et le trou central pratiqué dans la sous-base doit être aligné avec la pince du bloc-moteur. Votre modèle est doté d’une sous-base réglable (F). Pour effectuer le réglage, procéder somme suit :

- Poser le guide-modèle désiré sur la sous-base, puis bien serrer.
- Desserrer les vis de montage de la sous-base tout juste assez pour permettre le déplacement de la sous-base sur la base (E). Le déplacement de la base sera très faible.
- Poser une fraise à denture droite de 6,4 mm (1/4 po) de diamètre dans la pince du bloc-moteur, puis bien serrer.
- Fixer le bloc-moteur à la base. Aligner le trou du guide-modèle avec la fraise, puis régler la profondeur de la coupe de manière à ce que la fraise s’engage dans le guide-modèle. Serrer le bloc-moteur dans la base.
- Bien serrer les vis de montage de la sous-base.

Ensemble de base inclinée (Fig. 1, 3)

La base inclinée est conçue pour être utilisée avec les fraises à affleurer droit pour le taillage d’angle. Vous pouvez également l’utiliser avec d’autres fraises de finition automatiques pour le taillage conventionnel selon un réglage de 90°.

⚠ AVERTISSEMENT : pour réduire le risque de blessures, éteindre l’appareil et le débrancher avant d’installer ou de retirer tout accessoire et avant d’effectuer des réglages ou des réparations. Un démarrage accidentel peut provoquer des blessures.

MONTAGE DE LA BASE INCLINÉE (FIG. 1, 3)

- Enlever la base standard (le cas échéant) en retirant la vis (B), la rondelle et le ressort (non illustrés).
- Fixer la base inclinée à l’aide de la vis (I) et de la rondelle plate (J) comprise avec la base inclinée.

RÉGLAGE DE L’INCLINAISON (FIG. 1, 3)

- Desserrer les deux vis de blocage de l’inclinaison (L) (une vis de chaque côté de la base) au moyen de la clé hexagonale fournie.
- Faire correspondre le repère d’alignement de la base (K) avec l’angle recherché, puis bien serrer.
- Effectuer une coupe d’essai dans un matériau de rebut pour vérifier l’alignement.

Travaux courants avec la base inclinée (Fig. 4)

La base inclinée est conçue pour les opérations courantes suivantes :

- Taillage de surfaces verticales.
- Taillage d’angles spéciaux inférieurs ou supérieurs à 90°.

Ensemble de base déportée (Fig. 2, 5–9)

La base déportée permet le taillage dans des endroits restreints (le bord avant de dossier verticaux, les coins intérieurs, etc.) et facilite le chantournage de dossierets contre un mur.

Pour fixer la base déportée, enlever d’abord la base standard (le cas échéant) en retirant la vis (B), la rondelle et le ressort. Puis, fixer la base déportée selon les directives suivantes :

⚠ AVERTISSEMENT: pour réduire le risque de blessures, éteindre l’appareil et le débrancher avant d’installer ou de retirer tout accessoire et avant d’effectuer des réglages ou des réparations. Un démarrage accidentel peut provoquer des blessures.

MISE EN GARDE: ne pas serrer la pince sans fraise pour éviter d’endommager la toupie.

MISE EN GARDE: ne pas enfoncer le bouton du dispositif de verrouillage de la broche si le moteur est en marche pour éviter d’endommager la toupie.

- Enfoncer la commande de verrouillage de la broche (C), puis enlever l’écrou (D) et la pince (M) du bloc-moteur.

2. Fixer la poulie d'entraînement (N) à la broche du moteur. Serrer solidement.
3. Utiliser un tournevis cruciforme pour enlever les trois vis de montage de la sous-base (O) de la base. Enlever la sous-base.
4. Positionner la base (R) sur la poulie d'entraînement (N) (de l'étape 2). S'assurer que la poulie d'entraînement du moteur engage la courroie d'entraînement située dans le boîtier de la base.
5. Fixer le moteur à la base avec la vis de serrage (U), le ressort (T) et la rondelle (S).
6. Utiliser un tournevis cruciforme pour poser une vis no 6-32 de 9,53 mm (3/8 po) dans le trou (Q). Serrer solidement.
7. Nettoyer l'écrou et la pince (de l'étape 1), puis fixer la broche (P) dans la base déportée. Utiliser la clé hexagonale (W) dans le trou (V) pour verrouiller la broche. Serrer manuellement pour effectuer un réglage plus précis.
8. Positionner la sous-base contre le boîtier de la base, puis la fixer avec les trois vis (O) enlevées à l'étape 3.

Pose et dépose de la fraise (base déportée) (Fig. 9)

▲ AVERTISSEMENT : Danger de projectiles. Utiliser uniquement des fraises avec des queues de 6,4 mm (1/4 po). Des mèches avec des queues plus petites seront mal fixées et risquent de se détacher durant le fonctionnement.

MISE EN GARDE : ne pas serrer la pince sans fraise pour éviter d'endommager la toupie.

MISE EN GARDE : ne pas enfoncer le bouton du dispositif de verrouillage de la broche si le moteur est en marche pour éviter d'endommager la toupie.

MISE EN GARDE : pour éviter d'endommager la courroie d'entraînement, ne jamais serrer ni desserrer l'écrou de la pince si la commande de verrouillage de la broche du bloc-moteur est engagée.

REMARQUE: il est recommandé d'utiliser l'appareil uniquement avec des fraises qui comportent un diamètre de coupe de 20,6 mm (13/16 po) ou moins.

1. Pour verrouiller la broche sur la base déportée, insérer la longue partie de la clé hexagonale (W) dans le trou de verrouillage de la broche (V), de manière à ce que la clé dépasse des deux côtés du boîtier de la base. Pour faciliter l'insertion de la clé hexagonale, tourner la broche manuellement afin d'aligner le trou de la broche avec les trous du boîtier.
2. Nettoyer la tige de la fraise et l'insérer dans la pince jusqu'à ce que son extrémité atteigne le fond. Puis, retirer la fraise d'environ 1,6 mm (1/16 po). Bien serrer l'écrou de la pince avec la clé de la pince.
3. Pour enlever la fraise, inverser la procédure. Si la fraise ne s'enlève pas facilement, tapoter légèrement la tige de la fraise avec une clé.
4. Enlever la clé hexagonale (W).

Réglage de la profondeur de coupe (base déportée) (Fig. 10, 11)

▲ AVERTISSEMENT : pour réduire le risque de blessures, éteindre l'appareil et le débrancher avant d'installer ou de retirer tout accessoire et avant d'effectuer des réglages ou des réparations. Un démarrage accidentel peut provoquer des blessures.

1. Mettre la toupie sur son côté, puis desserrer légèrement l'écrou de la pince. Consulter la section **Pose et dépose de la fraise (base déportée)**.
2. Insérer la clé hexagonale (X) dans le trou (Y) pour accéder à la vis de réglage de profondeur.
3. Tenir en place la broche (Z), puis exercer une légère pression ascendante sur la fraise pour maintenir le contact entre la tige de la fraise et la vis de réglage. Tourner la clé hexagonale dans le sens antihoraire pour accroître l'exposition ou, dans le sens horaire, pour réduire l'exposition.
4. Pour renverser la sous-base et procurer plus de jeu (4,8 mm ou 3/16 po) pour les fraises à longue tige (Fig. 11):
 - a. Enlever trois vis de montage de la sous-base (O).
 - b. Renverser la sous-base, puis la fixer de nouveau avec les vis enlevées à l'étape A.

Travaux courants avec la base déportée (Fig. 12-17)

TAILLAGE D'UN DOSSERET VERTICAL DE 19 MM (3/4 PO) (FIG. 12, 13)

Le taillage du bord avant d'un dossier vertical de 19 mm (3/4 po) (Fig. 13) est une opération que les toupies standards pourvues d'une base ronde ou carrée ne peuvent exécuter sans l'utilisation d'une fraise spéciale. Cette opération est facilitée par la base déportée qui est pourvue d'une fraise en carbure plein automatique. La fraise automatique (AA) permet un taillage en une seule étape. La base triangulaire (BB) permet d'effectuer le taillage sans retirer le dossier.

TAILLAGE INTÉRIEUR ET EXTÉRIEUR D'UN ANGLE EN PLACE (FIG. 14, 15)

La base déportée peut aussi tailler à l'intérieur et à l'extérieur d'un coin de dossier (Fig. 15) avec peu ou pas de taillage manuel requis. La combinaison d'une fraise automatique et d'une base triangulaire (CC) permet un taillage d'angle complet sans enlever le dossier.

CHANTOURNAGE DU DOSSERET MURAL (FIG. 16, 17)

La base déportée peut effectuer un chantournage précis sur la partie arrière d'un panneau préassemblé ou sur un dossier postformé (Fig. 17). Une fois la lèvre arrière correctement chantournée, la partie taillée est ensuite poussée contre le mur pour s'y encastrer. Comme le bord avant de la toupie est guidé contre le mur (Fig. 17), la toupie reproduit avec exactitude la surface murale en une seule étape. Utiliser une cale de 19 mm (3/4 po) pour maintenir une distance (DD) de 19 mm (3/4 po) du mur et de l'arrière du dossier taillé.

ENTRETIEN

Nettoyage

▲ AVERTISSEMENT : Il est nécessaire d'éliminer régulièrement la poussière dans le carter du moteur à l'aide d'un jet d'air comprimé. De la poussière contenant des particules résultant du meulage du métal s'accumule souvent sur les surfaces intérieures et peut entraîner un choc électrique si on ne l'élimine pas fréquemment. **TOUJOURS PORTER DES LUNETTES DE SÉCURITÉ.**

▲ MISE EN GARDE : Lors du nettoyage, utiliser exclusivement un chiffon humide sur les composants en plastique. Bon nombre de nettoyeurs domestiques renferment des produits chimiques pouvant grandement endommager le plastique. En outre, ne pas utiliser d'essence, de térébenthine, de diluant à peinture ou à laque, de liquides pour nettoyage à sec ou tout autre produit semblable qui pourrait endommager gravement les composants en plastique. Ne jamais laisser de liquide pénétrer dans l'outil et n'immerger aucune partie de l'outil dans un liquide.

Lubrification

Cet outil a été lubrifié avec une quantité suffisante de lubrifiant de haute qualité pour la durée de vie de celui-ci sous des conditions normales de travail. Aucune lubrification supplémentaire n'est nécessaire.

Accessoires

▲ AVERTISSEMENT: Puisque les accessoires autres que ceux offerts par DEWALT n'ont pas été testés avec ce produit, l'utilisation de ceux-ci pourrait s'avérer dangereux. Pour un fonctionnement en toute sécurité, utiliser seulement les accessoires recommandés DEWALT avec le produit.

Les accessoires recommandés pour être utilisés avec l'outil sont disponibles auprès du centre de réparation de votre région. Pour toute demande d'assistance pour trouver un accessoire, contacter DEWALT Industrial Tool Co., 701 East Joppa Road, Baltimore, MD 21286, États-Unis, composer le 1(800) 4-DEWALT (1-800-433-9258) ou visiter notre site Web à www.dewalt.com.

Réparations

Pour assurer la SÉCURITÉ et la FIABILITÉ du produit, les réparations, l'entretien et les réglages (y compris l'inspection et le remplacement de la brosse) doivent être réalisés par un centre de réparation en usine DEWALT, un centre de réparation autorisé DEWALT ou par un personnel de réparation professionnel. Toujours utiliser des pièces de rechange identiques.

Garantie limitée de trois ans

DEWALT réparera, sans frais, tout produit défectueux causé par un défaut de matériel ou de fabrication pour une période de trois ans à compter de la date d'achat. La présente garantie ne couvre pas les pièces dont la défectuosité a été causée par une usure normale ou l'usage abusif de l'outil. Pour obtenir de plus amples renseignements sur les pièces ou les réparations couvertes par la présente garantie, visiter le site www.dewalt.com ou composer le 1 800 433-9258 (1 800 4-DEWALT). Cette garantie ne s'applique pas aux accessoires et ne vise pas les dommages causés par des réparations effectuées par un tiers. Cette garantie confère des droits légaux particuliers à l'acheteur, mais celui-ci pourrait aussi bénéficier d'autres droits variant d'un état ou d'une province à l'autre.

En plus de la présente garantie, les outils DEWALT sont couverts par notre :

CONTRAT D'ENTRETIEN GRATUIT D'UN AN

DEWALT entretiendra l'outil et remplacera les pièces usées au cours d'une utilisation normale et ce, gratuitement, pendant une période d'un an à compter de la date d'achat, et la

GARANTIE DE REMBOURSEMENT DE 90 JOURS

Si l'acheteur n'est pas entièrement satisfait, pour quelque raison que ce soit, du rendement de l'outil électrique, du laser ou de la cloueuse DEWALT, celui-ci peut le retourner, accompagné d'un

reçu, dans les 90 jours à compter de la date d'achat, pour obtenir un remboursement intégral, sans aucun problème.

AMÉRIQUE LATINE : Cette garantie ne s'applique aux produits vendus en Amérique latine. Pour ceux-ci, veuillez consulter les informations relatives à la garantie spécifique présente dans l'emballage, appeler l'entreprise locale ou consulter le site Web pour les informations relatives à cette garantie.

REPLACEMENT GRATUIT DE L'ÉTIQUETTE : Si vos étiquettes d'avertissement deviennent illisibles ou sont manquantes, composez le 1-800-4-DEWALT pour obtenir une étiquette de remplacement gratuite.

D26670 HEAVY-DUTY COMPACT ROUTER

▲ WARNING/ADVERTENCIA/AVERTISSEMENT

TO REDUCE THE RISK OF INJURY, USER MUST READ INSTRUCTION MANUAL. ALWAYS USE PROPER EYE AND RESPIRATORY PROTECTION. PARA EL MANEJO SEGURO LEA EL MANUAL DE INSTRUCCIONES. SIEMPRE SE DEBERÁ LLEVAR LA PROTECCIÓN APROPIADA PARA LA VISTA Y PARA LAS VÍAS RESPIRATORIAS. À TITRE PRÉVENTIF, LIRE LE GUIDE. IL FAUT TOUJOURS PORTER DE L'ÉQUIPEMENT DE PROTECTION OCULAIRE ET RESPIRATOIRE APPROPRIÉ.

DEWALT INDUSTRIAL TOOL CO., BALTIMORE, MD 21286 USA FOR SERVICE INFORMATION, CALL 1-800-4-DEWALT www.DEWALT.com

D2667X XXX HEAVY-DUTY COMPACT ROUTER BASE

▲ WARNING TO REDUCE THE RISK MUST READ INSTRUCTION MANUAL. ALWAYS USE PROPER EYE AND RESPIRATORY PROTECTION.

DEWALT INDUSTRIAL TOOL CO., BALTIMORE, MD 21286 USA FOR SERVICE INFORMATION, CALL 1-800-4-DEWALT www.DEWALT.com

▲ ADVERTENCIA PARA EL MANEJO SEGURO LEA EL MANUAL DE INSTRUCCIONES. SIEMPRE SE DEBERÁ LLEVAR LA PROTECCIÓN APROPIADA PARA LA VISTA Y PARA LAS VÍAS RESPIRATORIAS.

▲ AVERTISSEMENT À TITRE PRÉVENTIF, LIRE LE GUIDE. IL FAUT TOUJOURS PORTER DE L'ÉQUIPEMENT DE PROTECTION OCULAIRE ET RESPIRATOIRE APPROPRIÉ.

Definiciones: Normas de seguridad

Las siguientes definiciones describen el nivel de gravedad de cada advertencia. Lea el manual y preste atención a estos símbolos.

▲ PELIGRO: indica una situación de peligro inminente que, si no se evita, **provocará la muerte o lesiones graves.**

▲ ADVERTENCIA: Indica una situación de peligro potencial que, si no se evita, **podría provocar la muerte o lesiones graves.**

▲ PRECAUCIÓN: Indica una situación de peligro potencial que, si no se evita, **puede provocar lesiones leves o moderadas.**

PRECAUCIÓN: Utilizado sin el símbolo de alerta de seguridad indica una situación de peligro potencial que, si no se evita, **puede provocar daños en la propiedad.**

Reglas de seguridad generales

▲ ¡ADVERTENCIA! Lea todas las instrucciones. El incumplimiento con alguna de las instrucciones enumeradas más abajo puede resultar en descarga eléctrica, incendio y/o lesiones corporales serias. El uso del término "máquina herramienta" en las advertencias que se encuentran a continuación, se refiere a su máquina herramienta ya sea operada por la red de suministro (con cable de alimentación) o a batería (inalámbrica).

CONSERVE ESTAS INSTRUCCIONES

1) SEGURIDAD EN EL ÁREA DE TRABAJO

- Mantenga su área de trabajo limpia y bien iluminada.** Los accidentes abundan en las áreas de trabajo desordenadas u oscuras.
- No opere máquinas herramienta en ambientes explosivos, tales como en presencia de líquidos, gases o polvos inflamables.** Las máquinas herramienta generan chispas que pueden inflamar el polvo o los gases.
- No use máquinas herramienta en presencia de niños u otras personas circunstantes.** Las distracciones pueden hacerle perder el control.

2) SEGURIDAD ELÉCTRICA

- Los enchufes de las máquinas herramienta deben poder acoplarse a la toma de corriente. Jamás modifique el enchufe de ninguna manera. No emplee adaptadores de enchufe con máquinas herramienta conectadas a tierra.** Los enchufes no modificados y las tomas de corriente que correspondan al enchufe reducirán el riesgo de descarga eléctrica.
- Evite el contacto corporal con superficies conectadas a tierra, tales como tuberías, radiadores, cocinas y refrigeradores.** Existe un mayor riesgo de descarga eléctrica cuando su cuerpo está conectado a tierra.
- No esponga máquinas herramienta a condiciones lluviosas o húmedas.** Si entra agua a la máquina herramienta, aumentará el riesgo de descarga eléctrica.
- No abuse del cable. Jamás transporte, arrastre o desenchufe la máquina herramienta por el cable. Mantenga el cable alejado de fuentes de calor, aceite, bordes afilados o piezas en movimiento.** Los cables dañados o enredados aumentan el riesgo de descarga eléctrica. Cambie o repare aquellos cables que estén dañados. Verifique que su alargador esté en buenas condiciones. Utilice sólo alargadores de 3 hilos con enchufes de 3 patas, con conexión a tierra y tomas de corriente de 3 polos que acepten el enchufe de la herramienta.

- Cuando opere una máquina herramienta a la intemperie, use un alargador diseñado para uso a la intemperie.** El uso de un alargador diseñado para uso a la intemperie reduce el riesgo de descarga eléctrica. Cuando use un alargador, asegúrese de usar uno de un calibre suficiente como para cargar con la corriente que requerirá su producto. Un alargador de menor calibre causará una caída en el voltaje de la línea lo que resultará en pérdida de potencia y sobrecalentamiento. El siguiente cuadro muestra el tamaño correcto a utilizar, dependiendo del largo del cable y el amperaje nominal. En caso de duda, utilice el de mayor calibre. Mientras menor el número del calibre, mayor la capacidad del cable.

Calibre mínimo para cordones de extensión

Volts	Longitud total del cordón en metros			
120V	0-7,6	7,6-15,2	15,2-30,4	30,4-45,7
Amperaje	Calibre del cordón AWG			
Más de	No más de			
0	- 6	18	16	16 14

3) SEGURIDAD PERSONAL

- Manténgase alerta, fíjese en lo que está haciendo y utilice su sentido común cuando opere una máquina herramienta. No utilice una máquina herramienta si está cansado o bajo la influencia de drogas, alcohol o medicamentos.** Sólo hace falta un momento de distracción durante la operación de máquinas herramienta para causar lesiones corporales serias.
- Use equipo de seguridad. Utilice siempre protección ocular.** El uso de un equipo de seguridad apropiado a las condiciones de trabajo, tal como máscaras antipolvo, calzado de seguridad anti-derrapante, cascos o protección auditiva, reducirá la posibilidad de sufrir lesiones corporales.
- Evite encender la máquina herramienta en forma accidental. Verifique que el conmutador esté apagado antes de enchufar la máquina herramienta.** El sujetar una máquina herramienta con el dedo en el conmutador o enchufar máquinas herramienta con el conmutador encendido se presta para que ocurran accidentes.
- Retire toda llave de ajuste antes de encender la máquina herramienta.** Si se deja alguna llave en una pieza giratoria de la máquina herramienta, podría provocar lesiones.
- No se sobreextienda. Manténgase siempre bien apoyado y equilibrado.** Esto permite tener un mayor control de la máquina herramienta en situaciones inesperadas.
- Vístase debidamente. No se ponga ropa suelta o joyas. Mantenga su pelo, ropa y guantes alejados de piezas móviles.** La ropa suelta, las joyas y el pelo largo pueden quedar atrapados en las piezas móviles. Los orificios de ventilación suelen cubrir piezas en movimiento, por lo que también se deben evitar.
- Si la máquina herramienta viene con algún dispositivo de conexión para la extracción y colección de polvo, asegúrese que este sea debidamente conectado y utilizado.** El uso de estos dispositivos puede reducir los peligros relacionados a la generación de polvo.

4) USO Y CUIDADO DE LA MÁQUINA HERRAMIENTA

- No fuerce la máquina herramienta. Use la máquina herramienta correcta para su aplicación.** La máquina herramienta apropiada hará un trabajo mejor y más seguro si se usa de la forma para la cual fue diseñada.

- b) **No use la máquina herramienta si el conmutador no puede encenderla y apagarla.** Cualquier máquina herramienta que no pueda ser controlada con el conmutador es peligrosa y debe ser reparada.
- c) **Desenchufe la máquina herramienta de la toma de corriente y/o de la unidad de alimentación antes de ajustarla, cambiar de accesorio o guardarla.** Estas medidas de seguridad preventiva reducen el riesgo de poner en marcha la máquina herramienta accidentalmente.
- d) **Guarde su máquina herramienta fuera del alcance de niños cuando no la esté usando y no permita que personas que no estén familiarizadas con la máquina herramienta o estas instrucciones la usen.** Las máquinas herramienta son peligrosas en manos de personas no capacitadas.
- e) **Mantenga su máquina herramienta. Revise la máquina herramienta para verificar que no esté mal alineada, que sus piezas móviles no estén trabadas o rotas y que no exista otra condición que pudiera afectar su operación. Si está dañada, haga reparar la máquina herramienta antes de utilizarla.** Muchos accidentes son causados por usar máquinas herramienta que no han sido bien mantenidas.
- f) **Mantenga máquinas herramienta que son usadas para cortar afiladas y limpias.** Las máquinas herramienta de corte debidamente mantenidas y afiladas tienen menos probabilidades de trabarse y son más fáciles de controlar.
- g) **Use la máquina herramienta, sus accesorios, etc., en cumplimiento con estas instrucciones y en la manera para la cual la máquina herramienta fue diseñada, tomando en cuenta las condiciones de trabajo y el trabajo a realizar.** El uso de una máquina herramienta para operaciones fuera de aquellas para las que fue diseñada podría resultar en una situación peligrosa.

5) SERVICIO

- a) **Haga reparar su máquina herramienta por un técnico de reparación calificado, utilizando sólo repuestos originales.** Esto garantizará la seguridad de la máquina herramienta.

Normas de seguridad específicas para rebajadoras

- Sostenga la herramienta por las superficies de agarre aisladas cuando realice una operación donde la herramienta de corte pueda tocar cables eléctricos escondidos o su propio cable.** El contacto con un cable con corriente eléctrica hará que las partes expuestas de la herramienta tengan corriente y que el operador reciba una descarga eléctrica.
- Utilice abrazaderas u otra forma práctica para asegurar y sostener la pieza de trabajo sobre una plataforma estable.** Sostener el trabajo con la mano o contra el cuerpo no brinda la estabilidad requerida y puede llevar a la pérdida del control.
- Nunca ponga en funcionamiento la unidad del motor cuando no esté insertada en una de las bases de la rebajadora.** El motor no está diseñado para sujetarlo con la mano.
- Mantenga los mangos secos, limpios y libres de aceite y grasas.** Esto posibilitará un mejor control de la herramienta.
- Mantenga las manos lejos de las zonas de corte. Nunca se extienda debajo de la pieza de trabajo por ningún motivo. Cuando corte, mantenga con firmeza la base de la rebajadora en contacto con la pieza de trabajo. Sólo sujete la rebajadora por los mangos.** Estas precauciones reducirán el riesgo de lesiones personales.
- Use cuchillas afiladas.** Las cuchillas desafiladas pueden hacer que la sierra se desvíe o se atasque al recibir presión.
- Nunca toque la broca inmediatamente después de haberla usado.** Puede estar extremadamente caliente.
- Antes de soltar la rebajadora, asegúrese de que el motor se haya detenido completamente.** Apoyar la herramienta cuando el cabezal de la cuchilla aún se encuentra girando puede causar una lesión o un daño.
- Asegúrese de que la broca de la rebajadora se halle fuera de la pieza de trabajo antes de encender el motor.** Si la broca está en contacto con la pieza de trabajo cuando arranca el motor, la broca podría hacer que la rebajadora salte ocasionando una lesión o un daño.
- No presione el botón de bloqueo del eje con el motor en funcionamiento.**

⚠ADVERTENCIA: **Utilice la protección auditiva apropiada durante el uso [ANSI S12.6 (S3.19)].** En determinadas condiciones y según el período de uso, el ruido provocado por este producto puede ocasionar la pérdida de la audición.

⚠ADVERTENCIA: Parte del polvo originado al lijar, aserrar, esmerilar, taladrar y otras actividades constructivas contiene químicos que se sabe causan cáncer, defectos congénitos u otros daños reproductivos. Algunos ejemplos de estos químicos son:

- plomo de pinturas con base de plomo.
- sílice cristalino de ladrillos, cemento y otros productos de mampostería.
- arsénico y cromo de madera tratada químicamente (CCA).

Su riesgo a estas exposiciones varía, dependiendo de la frecuencia con que efectúe este tipo de trabajos. Para reducir la exposición a estos productos: trabaje en un área bien ventilada, y utilice equipo de seguridad aprobado, como las mascarillas que están diseñadas especialmente para filtrar partículas microscópicas.

⚠ADVERTENCIA: **Evite el contacto prolongado con el polvo originado al lijar, aserrar, esmerilar, taladrar y otras actividades constructivas.** Vista ropas protectoras y lave las áreas expuestas con jabón y agua. Permitir al polvo introducirse en su boca u ojos, o dejarlo sobre la piel, puede promover la absorción de químicos peligrosos.

⚠ADVERTENCIA: La utilización de esta herramienta puede originar polvo o dispersarlo, lo que podría causar daños graves y permanentes al sistema respiratorio, así como otras lesiones. Siempre use protección respiratoria aprobada por NIOSH/OSHA, apropiada para su uso en condiciones de exposición al polvo. Procure que las partículas no se proyecten directamente sobre su rostro o su cuerpo.

⚠ADVERTENCIA: **SIEMPRE USE ANTEOJOS DE SEGURIDAD.** Los anteojos de uso diario NO son anteojos de seguridad. Utilice también máscaras faciales o para polvo si el corte produce polvillo. UTILICE SIEMPRE EQUIPO DE SEGURIDAD CERTIFICADO:

- Protección para la vista según la norma ANSI Z87.1 (CAN/CSA Z94.3)
- Protección auditiva según la norma ANSI S12.6 (S3.19)
- Protección respiratoria según las normas NIOSH/OSHA

- La etiqueta de su herramienta puede incluir los siguientes símbolos. A continuación se indican los símbolos y sus definiciones:

V..... voltios	A.....amperios
Hz..... hertz	W.....vatios
min minutos	~corriente alterna
== corriente directa	novelocidad sin carga
Ⓛ Construcción Clase I (con conexión a tierra)	Ⓧterminal a tierra
Ⓜ Construcción Clase II (con aislamiento doble)	⚠símbolo de alerta de seguridad
BPM.....golpes por minuto	.../min.....revoluciones o reciprocidad por minuto

Motor

Su herramienta DeWALT funciona con un motor DeWALT. Asegúrese que la alimentación concuerde con las indicaciones de la placa de identificación.

120 V significa que su herramienta debe operarse solamente con corriente alterna. Nunca conecte su herramienta a una fuente de corriente directa. Todas las herramientas DeWALT se prueban en la fábrica; si esta herramienta no funciona, revise la alimentación de corriente.

D26670 Rebajadora Compacta para Trabajo Pesado

La Rebajadora Compacta para Trabajo Pesado D26670 está diseñada para cortes al ras y biseles de plásticos laminados y otros materiales similares que tengan un ligante demasiado duro para cortarse con herramientas comunes.

La base inclinable permite cortes en las esquinas inaccesibles para rebajadoras estándar. Este modelo también le permite el corte de superficies laminadas con uniones en ángulos de 45° a 90°. Esta función elimina la necesidad realizar cortes a mano en muchas aplicaciones.

La base descentrada se utiliza para cortar en las esquinas de una placa posterior y para cortar rebordes angostos.

Selección de la broca

⚠ADVERTENCIA: **Riesgo de eyección.** Use solamente brocas con vástago de 6,4 mm (1/4") Las brocas con vástago más pequeño no son seguras porque se pueden aflojar durante el funcionamiento.

Estas rebajadoras están equipadas con un collar de 6,4 mm (1/4") de diámetro que acepta brocas con vástagos de 6,4 mm (1/4") de diámetro. Las brocas están disponibles como accesorios.

NOTA: Se recomienda usar la unidad sólo con brocas que tengan un diámetro de corte de 20,6 mm (13/16") o menos.

COMPONENTES (FIG. 1)

- | | |
|--|-----------------------------------|
| A. Interruptor de ON/OFF (encendido/apagado) | E. Base |
| B. Tornillos de bloqueo de la base | F. Subbase |
| C. Bloqueo del eje | G. Disco regulador de profundidad |
| D. Tuerca del collar | |

Encendido y apagado del motor (Fig. 1)

El interruptor de ENCENDIDO/APAGADO (ON/OFF) se encuentra (A) en el costado de la unidad, cerca de la parte superior. Para encender la rebajadora, mueva el interruptor a la posición de ENCENDIDO (ON). Para apagar la rebajadora, mueva el interruptor a la posición de APAGADO (OFF).

Antes de enchufar la herramienta, asegúrese de que el interruptor esté en la posición APAGADO (OFF) y que el voltaje del circuito eléctrico sea el mismo que el que aparece en la placa de especificaciones de la rebajadora.

⚠ADVERTENCIA: **Para reducir el riesgo de lesiones personales o daños a la herramienta sujete la rebajadora con firmeza para resistir el torque de arranque y asegúrese de que la broca se halle fuera de la pieza de trabajo y de objetos extraños.**

⚠ADVERTENCIA: **Para reducir el riesgo de lesiones personales o daños al trabajo terminado deje que el motor se detenga POR COMPLETO antes de depositar la unidad.**

Bases estándar e inclinadas (Fig. 1, 2)

INSTALACIÓN DE LA BROCA

⚠ADVERTENCIA: **Para reducir el riesgo de lesiones, apague la unidad y desconéctela de la fuente de alimentación antes de instalar o retirar accesorios, ajustar o cambiar configuraciones o realizar reparaciones.** Un arranque accidental podría causar lesiones.

⚠ADVERTENCIA: **Riesgo de eyección.** Use solamente brocas con vástago de 6,4 mm (1/4") Las brocas con vástago más pequeño no son seguras porque se pueden aflojar durante el funcionamiento.

PRECAUCIÓN: Para evitar daños a la rebajadora, no ajuste el collar sin una broca insertada.

PRECAUCIÓN: Para evitar daños a la rebajadora, no presione el botón de bloqueo del eje mientras el motor esté encendido.

NOTA: Se recomienda usar la unidad sólo con brocas que tengan un diámetro de corte de 20,6 mm (13/16") o menos.

NOTA: Las instrucciones para instalar la broca en la base desplazada se incluyen en este manual.

- Puede instalar la broca con la unidad del motor colocada o retirada.
- Oprima el botón de bloqueo (C) y gire la tuerca del collar (D) en el sentido de las agujas del reloj a mano hasta que el bloqueo se trabe en el orificio del eje del motor. Afloje la tuerca del collar (D) ligeramente.
- Limpie e inserte el vástago de la broca (H) en el collar hasta que el extremo llegue al fondo. Luego retire la broca aproximadamente 1,6 mm (1/16").
- Mientras sostiene el bloqueo del eje, use la llave de boca suministrada para ajustar la tuerca del collar (en el sentido de las agujas del reloj) con firmeza.

EXTRACCIÓN DE LA BROCA

⚠ADVERTENCIA: **Para reducir el riesgo de lesiones, apague la unidad y desconéctela de la fuente de alimentación antes de instalar o retirar accesorios, ajustar o cambiar configuraciones o realizar reparaciones.** Un arranque accidental podría causar lesiones.

⚠ADVERTENCIA: **Riesgo de quemadura.** No toque las brocas de la rebajadora inmediatamente después de usarla.

PRECAUCIÓN: Para evitar daños a la rebajadora, no presione el botón de bloqueo del eje mientras el motor esté encendido.

NOTA: Las instrucciones para retirar las brocas de la base desplazada se incluyen en este manual.

- Puede retirar las brocas con la unidad del motor colocada o retirada.
- Oprima el botón de bloqueo (C) y gire la tuerca del collar (D) en sentido contrario a las agujas del reloj a mano hasta que el bloqueo se trabe en el orificio del eje del motor.
- Mientras sostiene el bloqueo del eje trabado, afloje la tuerca del collar (D) girándola en sentido contrario a las agujas del reloj con la llave de boca suministrada.
- Si la broca (H) está ajustada al collar, golpee la tuerca del collar (D) con una llave para liberar la broca.

AJUSTE DE LA PROFUNDIDAD DE CORTE (FIG. 1)

⚠ADVERTENCIA: **Para reducir el riesgo de lesiones, apague la unidad y desconéctela de la fuente de alimentación antes de instalar o retirar accesorios, ajustar o cambiar configuraciones o realizar reparaciones.** Un arranque accidental podría causar lesiones.

- Afloje el tornillo que traba la base (B) aproximadamente un cuarto de vuelta.
- Gire el disco regulador de profundidad (G) para reducir o aumentar la profundidad del corte.
- Ajuste el tornillo que traba la base (B) firmemente. Realice un corte de prueba en material desechable para verificar la profundidad del corte.
- Repita los pasos 1 a 3 hasta que logre la profundidad de corte deseada.

Usted tendrá que retirar levemente las brocas en el collet para obtener una profundidad máxima del corte.

⚠ADVERTENCIA: **Con algunas brocas puede ser necesario retirarlas de la boquilla para obtener una profundidad máxima de corte. Siempre debe dejar a lo menos 1/2" (1.3 cm) de la espiga de la broca en la boquilla. No use brocas que no permitan tener esta 1/2" de la espiga de la broca en la boquilla. Hacerlo puede resultar en una broca suelta y un daño al trabajo o una herida personal.**

Ajuste de la alineación de la subbase para bases estándar e inclinadas (Fig. 1)

⚠ADVERTENCIA: **Para reducir el riesgo de lesiones, apague la unidad y desconéctela de la fuente de alimentación antes de instalar o retirar accesorios, ajustar o cambiar configuraciones o realizar reparaciones.** Un arranque accidental podría causar lesiones.

Las aplicaciones en las que se utiliza una guía para plantillas requieren que la broca esté centrada dentro de la guía y que el orificio central de la subbase esté alineado con el collar de la unidad del motor. Su modelo tiene una subbase ajustable (F). Para ajustar:

- Instale la guía de plantillas deseada en la subbase y ajuste bien.
- Afloje los tornillos de montaje de la subbase lo suficiente para permitir que la subbase se mueva en la base (E). El movimiento de la base será muy leve.
- Instale una broca recta de 1/4" (6,4 mm) de diámetro en el collar de la unidad del motor y ajuste bien.
- Instale la unidad del motor a la base. Alinee el orificio en la guía de plantillas con la broca y ajuste la profundidad del corte de manera que la broca se extienda a través de la guía de plantillas. Ajuste la unidad del motor a la base.
- Ajuste los tornillos de montaje de la subbase firmemente.

Ensamblado de la base inclinable (Fig. 1, 3)

La base inclinable está diseñada para usarse con brocas de corte al ras para cortes en esquinas. También puede usarla con otras brocas piloto para cortes convencionales a un ajuste de 90°.

⚠ADVERTENCIA: **Para reducir el riesgo de lesiones, apague la unidad y desconéctela de la fuente de alimentación antes de instalar o retirar accesorios, ajustar o cambiar configuraciones o realizar reparaciones.** Un arranque accidental podría causar lesiones.

PARA ENSAMBLAR LA BASE INCLINABLE (FIG. 1, 3)

- Retire la base estándar (en caso de ser necesario) quitando el tornillo (B), la arandela y el resorte (no se muestra).
- Instale la base inclinable usando un tornillo (I) y una arandela plana (J) incluida en la base inclinable.

PARA AJUSTAR LA INCLINACIÓN (FIG. 1, 3)

- Afloje dos tornillos de bloqueo de inclinación (L) (uno a cada lado de la base) usando la llave hexagonal suministrada.
- Haga coincidir la marca índice de alineación (K) con el ángulo deseado y ajuste bien.
- Haga un corte de prueba en material desechable para verificar la alineación.

Aplicaciones típicas de una base inclinable (Fig. 4)

La base inclinable está diseñada para las siguientes operaciones típicas:

- Cortes hasta superficies verticales.
- Cortes de extremos en ángulo menores o mayores a 90°.

Ensamblado de base desplazada (Fig. 2, 5–9)

La base desplazada permite cortes en espacios reducidos (el borde delantero de protectores contra salpicaduras verticales, esquinas internas, etc.) y el punzonado fácil de salpicaduras en una pared.

Para instalar la base desplazada, primero retire la base estándar (en caso de ser necesario) quitando el tornillo (B), la arandela y el resorte. Luego, instale la base desplazada como se detalla en las instrucciones a continuación:

⚠ ADVERTENCIA: Para reducir el riesgo de lesiones, apague la unidad y desconéctela de la fuente de alimentación antes de instalar o retirar accesorios, ajustar o cambiar configuraciones o realizar reparaciones. Un arranque accidental podría causar lesiones.

PRECAUCIÓN: Para evitar daños a la rebajadora, no ajuste el collar sin una broca insertada.

PRECAUCIÓN: Para evitar daños a la rebajadora, no presione el botón de bloqueo del eje mientras el motor esté encendido.

1. Oprima el botón de bloqueo (C) y retire la tuerca del collar (D) y el collar (M) de la unidad del motor.
2. Fije la polea de mando (N) al eje del motor. Ajuste bien.
3. Use un destornillador Phillips para retirar los tres tornillos de montaje de la subbase (O) de la base. Retire la subbase.
4. Coloque la base (R) en la polea de mando (N) (del paso 2). Asegúrese de que la polea de mando trabaje en la correa impulsora dentro de la cubierta de la base.
5. Asegure el motor a la base con el tornillo de ajuste (U), el resorte (T) y la arandela (S).
6. Use un destornillador Phillips para instalar un tornillo de #6-32 x 3/8" en el orificio (Q). Ajuste bien.
7. Limpie la tuerca del collar y el collar (del paso 1), e instálelo al eje (P) en la base desplazada. Use una llave hexagonal (W) en el orificio (V) para bloquear el eje. Ajuste a mano para un ajuste posterior.
8. Coloque la subbase con la cubierta de la base y asegure con los tres tornillos (O) que sacó en el paso 3.

Instalación y extracción de la broca (Base desplazada) (Fig. 9)

⚠ ADVERTENCIA: Para reducir el riesgo de lesiones, apague la unidad y desconéctela de la fuente de alimentación antes de instalar o retirar accesorios, ajustar o cambiar configuraciones o realizar reparaciones. Un arranque accidental podría causar lesiones.

⚠ ADVERTENCIA: Riesgo de eyección. Sólo use brocas con vástagos de 6,4 mm (1/4"). Las brocas con vástagos más pequeños no estarán bien sujetas y pueden aflojarse durante la operación.

PRECAUCIÓN: Para evitar daños a la rebajadora, no ajuste el collar sin una broca insertada.

PRECAUCIÓN: Para evitar daños a la rebajadora, no presione el botón de bloqueo del eje mientras el motor esté encendido.

PRECAUCIÓN: Para evitar que la correa impulsora se dañe, nunca apriete ni afloje la tuerca del collar mientras el bloqueo del eje de la unidad de motor esté trabado.

NOTA: Se recomienda usar la unidad sólo con brocas que tengan un diámetro de corte de 20,6 mm (13/16") o menos.

1. Para bloquear el eje en la base desplazada, inserte la parte larga de la llave hexagonal (W) a través del orificio de bloqueo del eje (V) de manera que la llave sobresalga de ambos lados de la cubierta de la base. Para que le sea más fácil insertar la llave hexagonal, gire el eje a mano hasta alinear el orificio del eje con los orificios de la cubierta.
2. Limpie e inserte el vástago de la broca en el collar hasta que el extremo llegue al fondo. Luego retire la broca aproximadamente 1/16" (1.6 mm). Ajuste la tuerca del collar firmemente con la llave de collar.
3. Para retirar la broca, realice el procedimiento inverso. Si la broca no sale fácilmente, golpee suavemente el vástago de la broca con una llave.
4. Retire la llave hexagonal (W).

Ajuste de la profundidad de corte (Base desplazada) (Fig. 10, 11)

⚠ ADVERTENCIA: Para reducir el riesgo de lesiones, apague la unidad y desconéctela de la fuente de alimentación antes de instalar o retirar accesorios, ajustar o cambiar configuraciones o realizar reparaciones. Un arranque accidental podría causar lesiones.

1. Coloque la rebajadora de costado y afloje ligeramente la tuerca del collar. Consulte **Instalación y extracción de la broca (Base desplazada)**.
2. Coloque la llave hexagonal (X) en el orificio (Y) para acceder al tornillo regulador de profundidad.
3. Sostenga el eje (Z) en su lugar y aplique una presión leve hacia arriba en la broca para mantener el contacto entre el vástago de la broca y el tornillo de ajuste. Gire la llave hexagonal en sentido contrario a las agujas del reloj para aumentar la exposición y en el sentido de las agujas del reloj para disminuir la exposición.
4. Voltee la subbase para dejar espacio libre (3/16" o 4.8 mm) para vástagos de broca largos (Fig. 11):
 - a. Retire los tres tornillos de montaje de la subbase (O).
 - b. Voltee la subbase y vuelva a colocarla usando los tornillos que quitó en el paso a.

Aplicaciones típicas con una base desplazada (Fig. 12-17)

PROTECTOR CONTRA SALPICADURAS VERTICAL DE 3/4" (19 MM) (FIG. 12, 13)

Cortar el borde delantero de un protector contra salpicaduras vertical de 3/4" (19 mm) (Fig. 13) es una operación que las rebajadoras estándar con bases redondas o cuadradas no pueden realizar sin el uso de una broca especial. La operación es fácil con la base desplazada ajustada con una broca piloto de carburo sólida. La broca piloto (AA) permite cortes en una sola pasada. La base triangular (BB) permite cortes con el protector contra salpicaduras en el lugar.

CORTES INTERNOS Y EXTERNOS DE ESQUINA INSTALADA (FIG. 14, 15)

La base desplazada también le permite cortar dentro y fuera de una esquina salpicada instalada (Fig. 15) con muy pocos cortes a mano. Combinar una broca piloto con una base triangular (CC) le permite cortes de esquinas completos con el protector contra salpicaduras en el lugar.

PUNZONADO DE PROTECTOR CONTRA SALPICADURAS EN EL LUGAR (FIG. 16, 17)

La base desplazada puede punzonar con precisión la parte posterior de un panel preensamblado o protector contra salpicaduras posmoldeado (Fig. 17). Una vez que haya punzonado con precisión el borde posterior, empuje la parte cortada contra la pared de manera que coincida. Cuando guíe el borde delantero de la rebajadora contra la pared (Fig. 17), la rebajadora crea una reproducción exacta de la superficie de la pared en una sola pasada. Use un espaciador de 3/4" (19 mm) para mantener una distancia de 3/4" (19 mm) (DD) de la pared y la parte posterior del protector contra salpicaduras que esté cortando.

MANTENIMIENTO

Limpieza

⚠ ADVERTENCIA: El soplado del polvo y las virutas fuera de la carcasa del motor median-teaire comprimido limpio y seco es un procedimiento de mantenimiento periódico necesario. El polvo y las virutas, que contienen partículas metálicas, se acumulan a menudo en las superficies interiores y podrían ocasionar un accidente eléctrico o una electrocución si no se eliminan con frecuencia. UTILICE SIEMPRE LENTES DE SEGURIDAD.

⚠ PRECAUCIÓN: Sólo use una tela humedecida para limpiar las partes plásticas. Muchos limpiadores para uso doméstico pueden contener sustancias químicas que podrían dañar el plástico considerablemente. Tampoco utilice gasolina, aguarrás, barniz o solvente, líquidos para limpieza en seco o productos similares, que podrían dañar seriamente las piezas de plástico. Nunca permita que penetre líquido dentro de la herramienta ni sumerja ninguna de las piezas en un líquido.

Lubricación

Esta herramienta ha sido aceiteada con una cantidad suficiente de lubricante de alto grado para la vida de esta unidad en condiciones normales. No se requiere lubricación adicional.

Accesorios

⚠ ADVERTENCIA: Debido a que no se han probado con este producto otros accesorios que no sean los que ofrece DEWALT, el uso de tales accesorios puede ser peligroso. Para un funcionamiento seguro, con este producto sólo deben utilizarse los accesorios recomendados por DEWALT.

Los accesorios que se recomiendan usar con su herramienta están disponibles a un costo adicional en su centro de servicio local. Si usted necesita ayuda para encontrar un accesorio para su herramienta, contacte a: DEWALT Industrial Tool Co., 701 East Joppa Road, Baltimore, MD 21286, llame al 1-800-4-DEWALT (1-800-433-9258) o visite nuestro sitio web www.dewalt.com.

Reparaciones

Para garantizar la SEGURIDAD y la CONFIABILIDAD, deberán hacerse reparaciones, mantenimiento y ajustes de esta herramienta en los centros autorizados de servicio DEWALT u otras organizaciones autorizadas. Estas organizaciones prestan servicio a las herramientas DEWALT y emplean siempre refacciones legítimas DEWALT.

Póliza de Garantía

IDENTIFICACIÓN DEL PRODUCTO:

Sello o firma del Distribuidor.

Nombre del producto: _____ Mod./Cat.: _____

Marca: _____ Núm. de serie: _____

(Datos para ser llenados por el distribuidor)

Fecha de compra y/o entrega del producto: _____

Nombre y domicilio del distribuidor donde se adquirió el producto: _____

Este producto está garantizado por un año a partir de la fecha de entrega, contra cualquier defecto en su funcionamiento, así como en materiales y mano de obra empleados para su fabricación. Nuestra garantía incluye la reparación o reposición del producto y/o componentes sin cargo alguno para el cliente, incluyendo mano de obra, así como los gastos de transportación razonablemente erogados derivados del cumplimiento de este certificado.

Para hacer efectiva esta garantía deberá presentar su herramienta y esta póliza sellada por el establecimiento comercial donde se adquirió el producto, de no contar con ésta, bastará la factura de compra.

EXCEPCIONES

Esta garantía no será válida en los siguientes casos:

- Cuando el producto se hubiese utilizado en condiciones distintas a las normales;
- Cuando el producto no hubiese sido operado de acuerdo con el instructivo de uso que se acompaña;
- Cuando el producto hubiese sido alterado o reparado por personas distintas a las enlistadas al final de este certificado.

Anexo encontrará una relación de sucursales de servicio de fábrica, centros de servicio autorizados y franquiciados en la República Mexicana, donde podrá hacer efectiva su garantía y adquirir partes, refacciones y accesorios originales.

Garantía limitada por tres años

DEWALT reparará, sin cargo, cualquier falla que surja de defectos en el material o la fabricación del producto, por hasta tres años a contar de la fecha de compra. Esta garantía no cubre fallas de las piezas causadas por su desgaste normal o abuso a la herramienta. Para mayores detalles sobre la cobertura de la garantía e información acerca de reparaciones realizadas bajo garantía, visítenos en www.dewalt.com o diríjase al centro de servicio más cercano. Esta garantía no aplica a accesorios o a daños causados por reparaciones realizadas o intentadas por terceros. Esta garantía le otorga derechos legales específicos, además de los cuales puede tener otros dependiendo del estado o provincia en que se encuentre. Además de la garantía, las herramientas DEWALT están cubiertas por:

1 AÑO DE SERVICIO GRATUITO

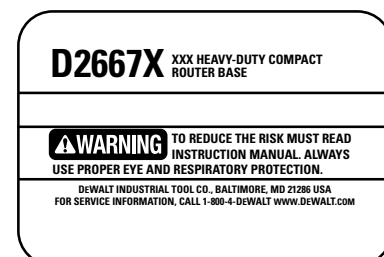
DEWALT mantendrá la herramienta y reemplazará las piezas gastadas por su uso normal, sin cobro, en cualquier momento durante un año a contar de la fecha de compra.

GARANTÍA DE REEMBOLSO DE SU DINERO POR 90 DÍAS

Si no está completamente satisfecho con el desempeño de su máquina herramienta, láser o clavadora DEWALT, cualquiera sea el motivo, podrá devolverlo hasta 90 días de la fecha de compra con su recibo y obtener el reembolso completo de su dinero – sin necesidad de responder a ninguna pregunta.

AMÉRICA LATINA: Esta garantía no se aplica a los productos que se venden en América Latina. Para los productos que se venden en América Latina, debe consultar la información de la garantía específica del país que viene en el empaque, llamar a la compañía local o visitar el sitio Web a fin de obtener esa información.

REEMPLAZO GRATUITO DE LAS ETIQUETAS DE ADVERTENCIA: Si las etiquetas de advertencia se tornan elegibles o se pierden, llame al 1-800-4-DEWALT para reemplazarlas sin costo alguno.



PARA REPARACIÓN Y SERVICIO DE SUS HERRAMIENTAS ELÉCTRICAS, FAVOR DE DIRIGIRSE AL CENTRO DE SERVICIO MÁS CERCANO

CULIACAN, SIN Av. Nicolás Bravo #1063 Sur - Col. Industrial Bravo	(667) 7 12 42 11
GUADALAJARA, JAL Av. La Paz #1779 - Col. Americana Sector Juárez	(33) 3825 6978
MEXICO, D.F. Eje Central Lázaro Cárdenas No. 18 Local D, Col. Obrera	(55) 5588 9377
MERIDA, YUC Calle 63 #459-A - Col. Centro	(999) 928 5038
MONTERREY, N.L. Av. Francisco I. Madero No.831 - Col. Centro	(81) 8375 2313
PUEBLA, PUE 17 Norte #205 - Col. Centro	(222) 246 3714
QUERETARO, QRO Av. Madero 139 Pte. - Col. Centro	(442) 214 1660
SAN LUIS POTOSI, SLP Av. Universidad 1525 - Col. San Luis	(444) 814 2383
TORREON, COAH Blvd. Independencia, 96 Pte. - Col. Centro	(871) 716 5265
VERACRUZ, VER Prolongación Díaz Mirón #4280 - Col. Remes	(229) 921 7016
VILLAHERMOSA, TAB Constitución 516-A - Col. Centro	(993) 312 5111

PARA OTRAS LOCALIDADES LLAME AL: (55) 5326 7100

Información Técnica

D26670	
Tensión de alimentación:	120 V AC~
Consumo de corriente:	5,6 A
Frecuencia de alimentación:	25-60 Hz
Potencia nominal:	672 W
Rotación sin carga:	30 000 /min

IMPORTADOR: DEWALT S.A. DE C.V.
BOSQUES DE CIDROS ACCESO RADIATAS NO. 42
COL. BOSQUES DE LAS LOMAS, 3A. SECCIÓN, CP 05120
DELEGACIÓN CUAJIMALPA, MÉXICO, D.F.
TEL. 5 326 7100
R.F.C.: BDE810626-1W7

Para servicio y ventas consulte
"HERRAMIENTAS ELÉCTRICAS"
en la sección amarilla.

